

NEW SOUTH WALES.

VOTES

AND

PROCEEDINGS

OF

THE LEGISLATIVE ASSEMBLY

DURING THE SESSION

OF

1878-9,

WITH THE VARIOUS DOCUMENTS CONNECTED THEREWITH.

IN SEVEN VOLUMES.
VOL. VI.

SYDNEY :

THOMAS RICHARDS, GOVERNMENT PRINTER, PHILLIP-STREET.

1879.

1878-9.

LEGISLATIVE ASSEMBLY.

NEW SOUTH WALES.

VOTES AND PROCEEDINGS.

SESSION 1878-9.

(IN SEVEN VOLUMES.)

TABLE OF CONTENTS.

VOL. VI.

Title Page.
Table of Contents.
Index.

STATISTICS—

	PAGE.
Blue Book for 1878	1
Statistical Register for 1877	207
Ditto 1878	545
Vital Statistics—Twenty-second Report of Registrar General...	877

PATENTS—

Letters of Registration of Inventions under 16 Victoria No. 24, for 1876	937
Patent Bill—Message	1125
Patents—Number issued, &c.—(Return to Order.)	1127

1878-9.

LEGISLATIVE ASSEMBLY.

NEW SOUTH WALES.

INDEX

TO THE

VOTES AND PROCEEDINGS

AND

PAPERS LAID UPON THE TABLE

DURING THE SESSION

1878-9.

(SEVEN VOLUMES.)

REFERENCES TO THE VOTES AND PROCEEDINGS, VOL. I—SESSION 1878-9.		PAPERS.	
		VOL.	PAGE.
A			
ABATTOIRS, GLEBE ISLAND :—			
Report of Inspector on certain newspaper statements, laid on Table, 458.....		7	619
Motion made (<i>Mr. McElhone</i>) for Return showing particulars respecting revenue from, and expenditure on, 565.			
Progress Report and Minutes of Evidence on management of, laid on Table, 628		7	497
Return respecting, laid on Table, 666.....		7	623
ABOLITION OF CAPITAL PUNISHMENT FOR RAPE :—			
Motion made (<i>Mr. McCulloch</i>) to bring in a Bill, and withdrawn, 535.			
ABSTRACTS (See also "CROWN LANDS") :—			
OF BANK LIABILITIES AND ASSETS :—			
For Quarter ended 30th June, 1878, laid on Table, 2		2	1193
Do. 30th September, 1878, do. 156		2	1195
OF PUBLIC ACCOUNTS :—			
For the year 1877, together with the Auditor General's Report thereon, laid on Table, 5.....		2	885
For the year 1878 Do. do. 645.....		2	1017
ACCOUNTS :—			
Report of the Board of Audit on Public, laid on Table, 220		2	1163
Explanatory Statement of Public, of New South Wales, as embodied in the Ways and Means for 1879 (<i>Mr. Cohen</i>), laid on Table, 129, 269.....		2	719, 873
Road Trust, for the half-years ended 30 June and 31 December, 1877, laid on Table, 224		5	883
ACCUMULATED SURPLUS (See "ESTIMATES.")			
ADDITIONAL JUDGE BILL (See "SUPREME COURT (ADDITIONAL JUDGE) BILL.")			
ADDITIONAL ESTIMATES (See "ESTIMATES.")			
ADDRESS :—			
IN REPLY TO GOVERNOR'S OPENING SPEECH :—			
Select Committee appointed to prepare, 3; brought up and read by Clerk, 4; Motion made (<i>Mr. Badgery</i>) that Report be adopted, and passed, 4; presented to His Excellency the Governor, and acknowledged, 5.			
OF CONDOLENCE TO THE QUEEN ON THE DEATH OF THE PRINCESS ALICE :—			
Prepared by Select Committee, read by Clerk, and adopted by the House, 209; presentation of to the Governor reported by Mr. Speaker, 211.			
RETURNING ESTIMATES FOR 1878-9 :—			
Message No. 34, requesting return of Estimates submitted by Message No. 11, taken into consideration, read by Clerk, and Address returning Estimates agreed to, 259		2	329
VALEDICTORY, TO HIS EXCELLENCY SIR HERCULES ROBINSON :—			
Motion made (<i>Sir Henry Parkes</i>) for Select Committee to prepare, 342; brought up and read by Clerk, 342; reply read by Speaker, 357.			
ADDRESSES AND ORDERS :—			
Alphabetical Register of		1	875

REFERENCES TO THE VOTES AND PROCEEDINGS, VOL. I—SESSION 1878-9.	PAPERS.	
	VOL.	PAGE.
A		
ADELONG (See "COMMON.")		
ADJOURNMENT :—		
OF DEBATE :—		
Motion made for, and passed, 135, 147, 164, 173 (?), 121, 177, 181, 189, 209, 222, 279, 319, 328, 354, 380, 431, 435, 445, 650.		
Motion made for, and negatived, 36, 58, 158, 511.		
OF THE HOUSE :—		
Motion made for, and passed, 195, 197, 199, 201, 213, 217, 551, 656, 663.		
Motion made for, and negatived, 22, 58, 67, 81, 89, 114, 141, 157, 158, 172, 207, 220, 224, 245, 250, 260, 265, 288, 310, 342, 349, 379, 389, 421, 431, 450, 471, 484, 489, 511, 520, 522, 525, 531, 562, 566, 576, 587, 597, 609, 640, 643, 659, 666.		
Motion made for, and withdrawn, 207.		
Motion made for, and interrupted by Government business, 418, 497, 539.		
Motion made for, and interrupted by Message from the Lieutenant-Governor, 666.		
SPECIAL :—27, 71, 177, 217, 225, 296, 354, 421, 550, 663.		
FOR WANT OF A QUORUM :—		
After commencement of Business, 84, 167, 245, 251, 311, 389, 413, 439, 459, 493, 520, 536, 577, 593, 597, 610, 629.		
Before commencement of Business, 125, 235, 255, 547, 605, 641.		
ADMINISTRATION (See also "LAND LAWS") :—		
FORMATION OF NEW :—		
Letters in reference to, by Sir John Robertson, submitting proposed names to His Excellency the Governor, read to the House, 203.		
Mr. Farnell informs the House of, by Sir Henry Parkes, 215; resignation by Ministers of their Seats reported, and Seats declared vacant, 217 (?); issue and return of Writs reported, and Members sworn, 219 (?).		
ADMINISTRATION OF JUSTICE (See also "CIVIL SERVICE") :—		
JURY LISTS :—		
Petition from Inhabitants of Towns and District of the Murray, complaining of the present mode of compiling, presented, 22; ordered to be printed, 26.....		
JURY LISTS, DENILIQUIN :—		
Return to Order (<i>Session 1877-8</i>), laid on Table, 51		
Motion made (<i>Mr. Hurley, Hartley</i>), for Select Committee to inquire into action taken by Magistrates, Deniliquin, in revising, appointed by Ballot, 89; names added, 245; Motion made (<i>Mr. Hurley, Hartley</i>) for leave to visit Deniliquin and sit during any adjournment, and negatived, 284; Report brought up, 522		
Motion made (<i>Mr. Hurley, Hartley</i>), for Committee of the Whole, that £250 be placed on Additional Estimate for 1879 to defray expenses of witnesses before Select Committee, 172; Order of the Day postponed, 216; House in Committee and Resolution agreed to, 221.		
THE CASE OF SAMUEL JEFFS :—		
Motion made (<i>Mr. Driver</i>) for all correspondence respecting release of Samuel Jeffs, a prisoner confined in Berrima Gaol, 22; Return to Address, laid on Table, 128		
DISTRICT COURTS ACT OF 1858 :—		
Annual Returns under the 103rd section of, laid on Table, 51, 609		
Order in Council, Alteration in Scale of Fees under, laid on Table, 164		
APPEALS TO THE PRIVY COUNCIL :—		
Return to Address (<i>Session 1877-8</i>), laid on Table, 51		
MR. P. BROUGHAM, POLICE MAGISTRATE, BINGERA :—		
Return to Order (<i>Session 1877-8</i>), laid on Table, 51; Motion made (<i>Mr. McElhone</i>) that Return to Order be printed, passed after Division, 89; Motion made (<i>Mr. McElhone</i>) in reference to position of as, and Debate interrupted by Government business, 523; Debate resumed and negatived, 534		
CONVICTION OF MR. NEIL HARPER, J.P. :—		
Correspondence and Depositions relating to, for unlawfully using two cows belonging to James Smith, laid on Table, 77		
WILLIAM CRESWELL :—		
Motion made (<i>Mr. Eckford</i>) for copies of all correspondence, letters, &c., relating to, 67; Return to Address, laid on Table, 128; Further Return to Address, laid on Table, 171		
WILLIAM CRESWELL—ARTHUR ORTON :—		
Motion made (<i>Mr. Eckford</i>) that Arthur Orton, <i>alias</i> William Creswell, a lunatic in Parramatta Lunatic Asylum, should be released, to be taken to England in connection with the Great Tichborne trial, and negatived on Division, 172.		
PETITION OF PATRICK AND MICHAEL GRIFFIN :—		
Return to Address (<i>Session 1877-8</i>) laid on Table, 87.....		
Copy of the Judge's Notes in the case of, laid on Table and referred to Committee, 146		
Motion made (<i>Mr. Greville</i>) for reappointment of Select Committee, and that Evidence, &c., of last Session be referred, 90; Papers referred, 146 (?); Report brought up, 326; adopted, 565.		
MR. JOHN GARSED :—		
Motion made (<i>Mr. Hurley, Hartley</i>), for reappointment of Select Committee to inquire into case instituted against, and that Progress Report of last Session be referred, and negatived on Division, 90.		
Copies of letters from, addressed to the Honorable James Farnell, laid on Table, 417		
Motion made (<i>Mr. Hurley, Hartley</i>), for letter addressed to the Premier from, and any other letters referring to that letter, 177.		
JURORS FEES :—		
Motion made (<i>Mr. Coonan</i>) for a copy of the Table of the Scale of Fees payable to Jurors, 156; Return to Order laid on Table, 171.....		
SALARIES OF DISTRICT COURT JUDGES :—		
Motion made (<i>Mr. R. B. Smith</i>) for Committee of the Whole to consider Address to Governor, that Government should bring in Bill to provide for increases to, and negatived on Division, 158.		
CORONERS :—		
Circular Letter to, on attendance of Medical Practitioners at Inquests, laid on Table, 250		
REMUNERATION TO JURORS :—		
Motion made (<i>Mr. Cameron</i>) for all Correspondence, &c., between the Sheriff and Clerk of the Peace relative to, 279; Return to Order, laid on Table, 430		

REFERENCES TO THE VOTES AND PROCEEDINGS, VOL. I.—SESSION 1878-9.		PAPERS.	
		VOL.	PAGE.
A			
ADMINISTRATION OF JUSTICE (continued) :—			
CONVICTIONS FOR VAGRANCY :—			
Motion made (<i>Mr. Cameron</i>) for a Return showing the number, at Central and Water Police Courts, from June, 1877, to date, with particulars in each case, 284; Return to Order, laid on Table, 342			277
MESSEBS. H. T. EDWARDS, AND HYAM JOSEPH :—			
Motion made (<i>Mr. J. Davies</i>) for Return showing number of cases sat on by them in 1876 and 1878, 392; Return to Order, laid on Table, 478			287
MR. A. T. DARBY :—			
Motion made (<i>Mr. W. C. Browne</i>) for information, &c., by Senior-constable Flannigan against, for a breach of the Vagrant Act, 397; Return to Order, laid on Table, 564			309
ESTATE OF THE LATE ROBERT HANCOCK :—			
Letter from the Curator of Intestate Estates respecting, laid on Table, 425			351
Motion made (<i>Mr. McElhone</i>) respecting the receipt of sum out of, by Mr. Slattery, the Curator of Intestate Estates, 565.		3	
MR. ALEXANDER ROGERS, OF ATTUNGA :—			
Motion made (<i>Mr. Jacob</i>) for Return showing number of actions at law engaged in by, 430; Return to Address, laid on Table, 492			291
THE CONDEMNED CRIMINALS WILKINSON AND MEDCALF :—			
Petition from J. Bowie Wilson, as Chairman of Public Meeting in Sydney, praying the House to abolish capital punishment for the crime of rape, and to make such Bill retrospective as regards the two prisoners, presented and read by the Clerk, 572			345
HENRY SCHMUCK alias WARNER :—			
Motion made (<i>Mr. Hungerford</i>) for copies of letters, telegrams, minutes, &c., having reference to death of, in Murrurundi Hospital, 581.			
SUPPLY, CONDEMNED CRIMINALS :—			
Return to Address adopted on 18th June, on amendment moved by Mr. Buchanan on going into Committee of Supply, laid on Table, 618			315
ADMISSION TO THE BODY OF THE HOUSE :—			
Motion made (<i>Mr. Farnell</i>) that William McArthur, Esquire, Member of the House of Commons, present, be accommodated with a chair on the floor of the House, 164.			
ADULTERATION OF FOOD PREVENTION BILL :—			
Received from Council and read 1 ^o , 147; Order of the Day postponed, 173, 216, 221, 261, 311, 328; read 2 ^o , committed, reported without Amendment and report adopted, 370; returned to Council, 376; assent reported, 395.			
ADVERTISEMENTS, GOVERNMENT :—			
Information respecting the present system, with regard to insertion of in Newspapers, laid on Table, 164		7	953
Motion made (<i>Mr. Bowman</i>) for all correspondence, &c., respecting, for Land Sales in <i>Town and Country Journal</i> , and <i>Sydney Mail</i> , 184.			
AGENT GENERAL FOR THE COLONY, THE :—			
Motion made (<i>Captain Onslow</i>) for correspondence, papers, documents, &c., having reference to the new Telegraph Line from England to Australia, increase to salary of Officers of Department, additional grant for Office of, and captains of emigrant ships carrying their wives with them, 655.			
AGREEMENT WITH THE BANK OF NEW SOUTH WALES :—			
Correspondence respecting renewal of, with the Government, laid on Table, 603		2	1183
AGRICULTURAL ASSOCIATIONS (See "CROWN LANDS.")			
AGRICULTURE (See "LIVE STOCK AND AGRICULTURE.")			
"AJAX," TENDER (See "HARBOURS and RIVERS.")			
ALBERT DISTRICT (See "GOLD.")			
ALBURY LAND OFFICE :—			
Motion made (<i>Mr. Thompson</i>) for copies of reports, &c., relating to irregularities in, 315; Return to Order, laid on Table, 331		4	505
AMENDMENT OF THE LAND LAW (See "LAND LAWS.")			
ANIMALS PROTECTION BILL :—			
Received from Legislative Council and read 1 ^o , 37; read 2 ^o and committed, 61; House again in Committee, 91, 138; Order of the Day postponed, 216, 222; House again in Committee, reported with Amendments, recommitted on Division, reported 2 ^o with further Amendments, and Report adopted, 261; read 3 ^o , passed, and returned to Council with Amendments, 274; Message from Council agreeing to Assembly's Amendments, 302; Assent reported, 339.			
PETITIONS in favour of amending :—			
Farmers and others resident at Raglan, presented, 57; ordered to be printed, 60			983
Do. Meadow Flat, do. 57; do. 60			985
Do. Bathurst, do. 57; do. 60			987
Do. Bathurst, do. 57; do. 60			989
Do. Evans's Plains, do. 57; do. 60			993
Do. George's Plains, do. 57; do. 60			995
Do. Oberon, do. 57; do. 60			997
Do. White Rock, do. 57; do. 60			999
Do. Denis Island, do. 57; do. 60		7	1001
Do. Macquarie Plains, do. 57; do. 60			1003
Do. Campbell's River, do. 57; do. 60			1005
Do. Bathurst, do. 57; do. 60			991
Do. Rockley, do. 74; do. 77			1007
Vinegrowers, Farmers, and others, do. 77; do. 90			1009
Farmers, Gardeners, and others, do. 88; do. 95			1011
APPEALS (See "PRIVY COUNCIL.")			
APPLICATIONS (See "CROWN LANDS.")			
APPROPRIATION BILL :—			
Ordered (<i>Mr. Watson</i>) to be brought in, 625; presented and read 1 ^o , 628; read 2 ^o , committed, reported with an Amendment, and Report adopted, 633; read 3 ^o and sent to Council, 636; returned without Amendment, 646; assented to in Council Chamber, 667.			
APPROPRIATION OF LAND (See "CROWN LANDS.")			
ARMIDALE (See "BRIDGES"; also "LANDS.")			
ARMSTRONG, ANDREW (See "CROWN LANDS.")			
ARMSTRONG AND LAKEMAN. (See "CROWN LANDS.")			
ASHFIELD (See "BY-LAWS.")			

REFERENCES TO THE VOTES AND PROCEEDINGS, VOL. I.—SESSION 1878-9.		PAPERS.	
		VOL.	PAGE.
A			
ASSEMBLY:—			
Usher of Black Rod delivers Message, 1, 667.			
Governor's Opening Speech, 2.			
Opening of the Session, 1.			
Clerk reads Proclamation, 1.			
Clerk reads Address in reply to Governor's Opening Speech, 4.			
Clerk reads Deputy Speaker's Commission to administer the Oath, 19.			
Clerk reads Petition, 128, 177, 288, 364, 542, 572, 581.			
Clerk reads Report of Committee of Elections and Qualifications, 265, 353, 388, 568.			
Clerk reads Valedictory address to His Excellency Sir Hercules Robinson, 342.			
Clerk reads Letter from Mr. Combes respecting Seat, 471	3		887
Clerk returns Papers to Auditor General, 646.			
Writs issued and returned, 1, 219 (°), 325.			
Members sworn, 1, 219 (°), 254, 329, 353.			
Prorogation Speech, 667.			
Address in reply, 3, 4.			
Reply to Address in reply, 5.			
Sittings after Midnight, 58, 115, 120, 143, 173, 324, 333, 338, 344, 355, 366, 376, 380, 385, 394, 404, 418, 422, 435, 439, 445, 450, 468, 472, 475, 484, 486, 489, 506, 511, 515, 523, 526, 531, 539, 542, 546, 551, 555, 559, 566, 570, 582, 584, 589, 597, 600, 604, 640, 651.			
R. Driver, Esquire, appointed Deputy Chairman of Committees, 12.			
Angus Cameron, Esquire, elected Chairman of Committees, 14.			
Sessional Orders passed, 7 (°), 8 (°), 228 (°), 289.			
Speaker lays Warrant on Table, appointing Committee of Elections and Qualifications, 6, 220; maturity reported, 25, 239; Members sworn, 27, 31, 47, 51, 239, 240; first Meeting appointed, 188; Leave given to adjourn for a longer period than seven days, 211; Speaker appoints Meeting after a No Quorum, 239, 240; Reports brought up, 265, 353, 388, 568....	2		5, 29, 47, 63
Speaker lays Election Petition on Table, 263.			
Speaker reports receipt of Deputy Speaker's (Angus Cameron, Esq.) Commission to administer the Oath, 19.			
Speaker lays on Table Minute authorizing application of Balance from one head of Service to another, 185, 254	2		1185, 1187
Speaker reports Message from Council respecting Parliamentary Powers and Privileges Bill, and removed from records, on motion of Sir Henry Parkes, 511.			
Speaker lays on Table Abstracts of Public Accounts, with Auditor General's Report thereon, 5, 645	2		885, 1017
Speaker calls attention to statements in Petition reflecting on the conduct of certain Members, 363.			
Special Adjournment, 27, 71, 177, 217, 225, 296, 354, 421, 550, 663.			
Ballot for Select Committee, 89.			
No Quorum, 84, 125, 167, 235, 245, 251, 255, 311, 389, 413, 439, 459, 493, 520, 536, 547, 577, 593, 597, 605, 610, 629, 641.			
No Quorum reported from Committee of the Whole, 167 (°), 371 (°), 439 (°), 459, 577, 637 (°).			
No Quorum do. Supply, 526, 589, 597.			
Vacant Seats, 207, 217 (°), 265, 353, 661.			
Suspension of Standing Orders, 152, 215, 225, 293, 302, 379, 450, 542, 603.			
Admission to the body of the House of William McArthur, M.P., Member of the House of Commons, 164.			
Ministerial Statement made to the House, 27, 197, 199, 201, 203, 207, 209, 213, 215, 220, 471.			
Motion made (<i>Mr. Farnell</i>) for Select Committee, to prepare Address of Condolence to Her Majesty the Queen, on the death of Her Royal Highness Princess Alice of Hesse, Address prepared and adopted by the House, 209; presentation of, to His Excellency the Governor; reported by Mr. Speaker, 211.			
Motion made (<i>Sir H. Parkes</i>) to re-affirm the Resolution of the House, that a Minister of the Crown should not be a Director or Manager of any Private Banking, Insurance, or Loan Company, and negatived on Division, 110.			
Motion made (<i>Mr. Day</i>) in reference to franking correspondence of Members of Parliament, and negatived, 143.			
Motion made (<i>Mr. Greenwood</i>), that in future all Petitions presented, except for the introduction of private Bills, be printed as a matter of course, without further order of the House, 129.			
Motion made (<i>Sir H. Parkes</i>) of Want of Confidence in the Ministry, 211.			
Motion made (<i>Mr. McElhone</i>) to refer question of Mr. Combes's Seat to Committee of Elections and Qualifications, 185.			
Motion made (<i>Mr. Garrett</i>) to refer question of Mr. Fitzpatrick's Seat to Committee of Elections and Qualifications, 354.			
Motion made (<i>Mr. Mc Elhone</i>) to refer question of Mr. Sutherland's Seat to Committee of Elections and Qualifications, 483.			
Leave of absence to Members, 172, 511, 545.			
Previous question resolved in the affirmative, 618.			
Previous question, motion made for, and withdrawn, 172, 284, 492.			
Points of Order reported from Committee of the Whole and decided by Speaker, 100, 233, 355, 359.			
Rulings of Speaker, 100, 172, 233, 355, 359, 394, 412.			
Formation of new Administration announced, 203, 215.			
Orders of the Day restored, 111, 185.			
Order of the Day discharged, 47, 61, 105, 106, 173, 225 (°), 229, 232, 233 (°), 279, 280, 327, 349, 370 (°), 492, 493, 535 (°), 593 (°), 604, 666 (°).			
Bills withdrawn, 47, 61, 105, 279, 280, 327, 370, 492, 535, 593 (°), 604.			
Bills recommitted, 71, 114, 135, 261, 316, 359, 384, 385, 551, 559.			
Resolutions recommitted, 130.			
Bills laid aside, 412, 512.			
Bill reserved for Royal Assent, 267.			
Member of Council as Witness before Select Committee of Assembly, 274.			
Member of Assembly as Witness before Select Committee of Council, 36.			
Message No. 34, withdrawing Estimates for 1878-9, 259; Address adopted, returning the Estimates of Expenditure, 259	2		329
Contingent Motions moved as Amendments on Supply, 366, 418, 582, 584.			
Do. do. on Order of the Day, 114, 319, 445, 450, 650, 655.			

INDEX.

REFERENCES TO THE VOTES AND PROCEEDINGS, VOL. I.—SESSION 1878-9.		PAPERS.	
		VOL.	PAGE.
A			
ASSEMBLY (continued) :—			
No Report from Committee of the Whole, 233, 279, 439.			
No Tellers on Division, 90 (?), 225, 582, 660.			
Interruption to proceedings, 164.			
Counsel heard at Bar of the House, 319.			
Disorder, 342, 376, 398.			
Valedictory Address to Sir Hercules Robinson, 342, 357.			
Employment of Members by the Government, 404.			
Conference with Council on Parliamentary Powers and Privileges Bill, 405, 421, 425.			
Leave given to bring in second Bill on original leave, 420.			
Interruption of General Business by Government Business on Tuesday, 315, 332, 354, 418, 484, 497, 523, 539, 550, 632.			
Leave given to Mr. John Donnelly to be heard by counsel or attorney before Select Committee, 538.			
Votes of Sir Henry Parkes and Mr. Baker challenged by Mr. Greenwood, on the third reading of the Lands Acts Further Amendment Bill, and motions negatived, 569.			
Return of Conditional Purchases held by Members, laid on Table, 609.....	4		309
Prorogation of Parliament, House informed of day of, 659.			
Legislative Council, Sir Henry Parkes's Resolutions respecting, 650 (?), 655.			
Do. Return showing names of Members of, and dates of appointment, laid on Table, 659	2		107
Votes and Proceedings, Nos. 1 to 134.....			669
Business undisposed of at the close of the Session.....			673
Attendances of Members in Divisions and Counts-out during the Session.....			675
Business of the Session.....			677
Weekly Reports of Divisions in Committee of the Whole, Nos. 1 to 34.....	1		791
Weekly Abstracts of Petitions received, Nos. 1 to 33.....			859
General Summary of Petitions.....			873
Alphabetical Register of Bills.....			875
Alphabetical Register of Addresses and Orders.....			885
Standing and Select Committees appointed during the Session.....			1217
Explanatory Abstracts of sums Estimated and Voted.....	2		
ASSISTANT CLERK OF PETTY SESSIONS, WARATAH (See "CIVIL SERVICE.")			
ASYLUMS :—			
GOVERNMENT, FOR THE INFIRM AND DESTITUTE :—			
Report from Manager of, relative to expenditure for 1877, laid on Table, 2.....	3		969
IMBECILE, NEWCASTLE :—			
Motion made (<i>Mr. McElhone</i>) for correspondence, &c., in reference to the birth of a child at, and no Tellers for the Ayes on Division, 660.			
ATTENDANCES OF MEMBERS :—			
In Divisions and Counts-out.....	1		673
ATTORNEY GENERAL :—			
Opinion of Mr. Attorney General Windeyer on certain points submitted by the Honorable the Minister for Mines—39 Vic. No. 31.—Coal Mines Regulation Act of 1876, laid on table, 224.			
Do. Mr. Attorney General Dalley, do. 224.			
Do. On application for removal of Bernard Bogan's Publican's License, laid on Table, 450.....	7		975
Do. On cancellation of conditional purchases, 535; Mr. McElhone's Motion.			
Do. On protest by Hew Blackwood Patterson against the present practice in dealing with applications to select land under the 25th section of the Crown Lands Alienation Act of 1861, laid on table, 564.....	4		519
Do. On the power of two Justices to grant a transfer of a Publican's License, laid on Table, 603.....	7		973
AUDIT (See "BOARD OF AUDIT.")			
AUDITOR GENERAL :—			
Report of, on Public Accounts, for 1877, laid on Table, 5.....	2		885
Do. 1878, do. 645.....	2		1017
Papers returned to, 646.			
AUSTRALIAN DICTIONARY OF DATES AND MEN OF THE TIME :—			
Correspondence relating to the printing and publication of, at the Government Printing Office, laid on Table, 454.....	7		905
Motion made (<i>Mr. McElhone</i>) respecting, and Debate interrupted by Government Business, 484; Debate resumed, Previous Question moved, and withdrawn, and question amended, 492.			
Motion made (<i>Mr. Fitzpatrick</i>) for correspondence between the Government and Mr. Heaton, with respect to the printing and publication of, 568; Return to Order, laid on Table, 603.....	7		909
Motion made (<i>Mr. O'Connor</i>) for correspondence received by the Government between 26 June and 1 July inclusive, 613; Return to Order, laid on Table, 640.....	7		917
AUSTRALIAN CRICKETERS (See "CRICKETERS.")			
AUSTRALIAN AGRICULTURAL COMPANY :—			
Motion made (<i>Mr. Copeland</i>) for copy of original Crown grant of, 398.			
AUSTRALIAN STEAM NAVIGATION COMPANY (See "CAMPBELL'S WALL.")			
B			
BADGERY, HENRY SEPTIMUS, ESQUIRE :—			
Return of, as Member for East Maitland reported, 1; Sworn 1.			
BAKER, THE HONORABLE EZEKIEL ALEXANDER, ESQUIRE, M.P. :—			
Acceptance of Office as Minister for Mines announced, 215; resignation reported and Seat as Member for Gold Fields South declared vacant, 217; issue and return of Writ reported, and Member sworn, 219.			
Vote of, challenged, on third reading of Lands Acts Further Amendment Bill, by Mr. Greenwood, and Motion negatived, 569.			
BALANCES, APPLICATION OF :—			
Minute of Governor and Executive Council authorizing, from one head of Service to another, laid on Table by Mr. Speaker, 185, 254.....	2		1185, 1187
BALLOTING FOR SELECT COMMITTEES :—			
Sessional Order passed, 7.			
Jury Lists, Deniliquin, 89.			

REFERENCES TO THE VOTES AND PROCEEDINGS, VOL. I.—SESSION 1878-9.	PAPERS.	
	VOL.	PAGE.
B		
BALMAIN PUBLIC SCHOOLS (See also "RECLAMATION OF LAND;" also "BY-LAWS") :— Motion made (<i>Mr. Fitzpatrick</i>) for copies of correspondence between the Council of Education and the Local Trustees, touching the want of accommodation, 315; Return to Order, laid on Table, 628	3	769
BAND IN HYDE PARK :— Motion made (<i>Mr. Hurley, Hartley</i>) that the Government should cause the Head Quarters or other Bands to perform two evenings in the week, 239.		
BANK, SAVINGS (See "GOVERNMENT.")		
BANK LIABILITIES AND ASSETS :— General Abstract of, for Quarter ended 30 June, 1878, laid on Table, 2	2	1193
Do. do. 30 September, 1878, do. 156	2	1195
BANK LIABILITIES AND ASSETS PUBLICATION ACT EXTENSION BILL :— Motion made (<i>Mr. Hoskins</i>) for Committee of the Whole, to consider expediency of bringing in, 161; Order of the Day postponed, 173, 216, 221; House in Committee, Resolution agreed to, Bill presented and read 1 ^o , 261; read 2 ^o , committed, reported without Amendment, and Report adopted, 297; read 3 ^o , passed, and sent to Council, 302; returned with Amendments, 463; Amendments agreed to, and Message to Council, 492; Assent reported, 525.		
BANK DIRECTOR :— Motion made (<i>Mr. McElhone</i>) respecting undesirability of Colonial Treasurer holding office of, 376.		
BANK OF NEW SOUTH WALES :— Correspondence respecting renewal of agreement with the Government; laid on Table, 603	2	1183
BANKERS BOOKS AND CHEQUES BILL :— Received from Council and read 1 ^o , 135; Order of the Day postponed, 216, 221, 285, 349; no quorum on Mr. Terry proceeding to move 2 ^o , 493; Order of the Day discharged and Bill withdrawn, 535.		
BANKERS BOOKS EVIDENCE BILL :— Motion made (<i>Mr. Watson</i>) for leave to bring in, 22; presented and read 1 ^o , 22; read 2 ^o , committed, reported with Amendments, and Report adopted, 47; Order of the Day postponed, 52, 68, 123, 216; read 3 ^o , 222; motion made that Bill do now pass, and Debate adjourned, 222; Order of the Day postponed, 261; Question "That this Bill do now pass" negatived, 327; Order of the Day discharged and Bill withdrawn, 327.		
BARBOUR, ROBERT, CONDITIONAL PURCHASE OF. (See "CROWN LANDS.")		
BAR OF THE HOUSE :— Counsel heard at, against the Chinese Immigration Regulation Bill, 319.		
BARRINGTON (See "GOLD"; also "BRIDGES.")		
BATHURST (See "ELECTORAL.")		
BAYLISS, MR. HENRY, POLICE MAGISTRATE, WAGGA WAGGA :— Motion made (<i>Captain Onslow</i>) for copy of the petition of, to the Governor and Executive Council, 444; Return to Order, laid on Table, 522	3	517
BEARD, GILMOUR, AND SMITH (See "CROWN LANDS.")		
BEER'S DISABILITIES BILL :— Motion made (<i>Mr. Hurley, Hartley</i>), for leave to bring in, 16; presented and read 1 ^o , 17; Order of the Day postponed, 37; Motion made for 2 ^o and negatived on Division, 61; Order of the Day discharged and Bill withdrawn, 61. Letter from W. H. Cooper in reference to a speech made by him at the Bar of the House in advocacy of, laid on Table, 156	7	955
BENEVOLENT ASYLUM (See "CHARITABLE INSTITUTIONS.")		
BERRIMA GAOL (See "GAOLS.")		
BIBBENLUKE (See "ROADS.")		
BIDDLE, ZOLLNER, AND OTHERS (See "DARLING HARBOUR.")		
BILLS OF SALE :— Motion made (<i>Mr. Shepherd</i>) for leave to bring in Bill to amend law respecting, 100.		
BILLS :— Assent to reported, passed last Session, 19. Withdrawn, 47, 61, 105, 279, 280, 327, 370, 492, 535, 593 (?), 604. Reserved for Royal Assent, 267. Recommitted, 71, 114, 135, 261, 316, 359, 384, 385, 551, 559. Laid aside, 412, 512. Assented to in Council Chamber, 667. Alphabetical Registers of	1	873
BILLYBONGEVIL RUN :— Motion made (<i>Mr. Garrett</i>) for papers, &c., having reference to selections of Woods and Kelly on, 392.		
BINGERA (See "POLICE"; also "CROWN LANDS.")		
BIRDS AND ANIMALS PROTECTION BILL. (See "ANIMALS PROTECTION BILL.")		
BIRTHS (See "REGISTERS"; also "CLERGY RETURNS TRANSFER BILL.")		
BLACK ROD :— Usher of, delivers Message from His Excellency the Governor, 1,667.		
BLACK, MAJOR (See "VOLUNTEERS.")		
BLAIR ATHOLE (See "IMMIGRATION.")		
BLANKETS, TENDERS FOR SUPPLY OF :— Motion made (<i>Mr. Greenwood</i>) for copies of, for 1879 and 1880, and for copies of letters, minutes, &c., in connection therewith, 520; Return to Order, laid on Table, 603	7	765
BLOMFIELD AND MUNFORD, CONTRACTS FOR ROADWORK BY :— Motion made (<i>Mr. Badgery</i>) for copies of contracts, agreements, specifications, &c., having reference to, at Tambaroora, Hill End, &c., and also for copies of the evidence taken before the Select Committee in April, 1875, 566.		
BLUE BOOK :— Motion made (<i>Captain Onslow</i>) for a Return showing Officers in Civil Service incapacitated from duty by reason of age, sickness, or other cause, giving particulars in each case, and that the information be included in future compilations of, 31; Return (<i>in part</i>) to Order, laid on Table, 207	3	385
Further Return (<i>in part</i>), laid on Table, 596	3	387
For year 1878, laid on Table, 583	6	1
BOARD OF AUDIT :— Report of, on the Public Accounts, laid on Table, 220	2	1163

REFERENCES TO THE VOTES AND PROCEEDINGS, VOL. I.—SESSION 1878-9.		PAPERS.	
		VOL.	PAGE.
B			
BOARD OF TRADE:—			
Despatch respecting Examinations, laid on Table, 156.....		7	863
BOARDS OF INQUIRY OR COMMISSIONS, GOVERNMENT OFFICERS AS MEMBERS OF:—			
Motion made (<i>Mr. McElhone</i>) respecting payment of fees to, when the meetings are held during office hours, 565.			
BOGAN, MR. BERNARD:—			
Copy of opinion of Attorney General on application for removal of publican's license, laid on Table, 450		7	975
BOMBALA (See "COURT HOUSE"; also "ROADS.")			
BOOTY, MR., BAILIFF IN INSOLVENT COURT:—			
Motion made (<i>Mr. McElhone</i>) for Return showing particulars of fees charged and received by, 535; Return to Order, laid on Table, 640.....		7	883
BORDER CUSTOMS (See "CUSTOMS.")			
BOTANIC GARDENS AND DOMAINS:—			
General report on present condition of, laid on Table, 392.....		7	871
BOTANICAL GARDENS:—			
Motion made (<i>Mr. R. B. Smith</i>) respecting opening of Vegetable Garden attached to, to the public, and no Tellers for the Ayes on Division; 582.			
BOTANY (See "RESERVES.")			
BOURKE (See "BY-LAWS.")			
BRADLEY, HENRY BURTON, ESQUIRE:—			
Heard as Counsel at the Bar of the House against the Chinese Immigration Regulation Bill, 319.			
BRADY, MR. CHARLES (See "SILK CULTURE.")			
BRENNAN, M. (See "CROWN LANDS.")			
BREWARRINA:—			
Motion made (<i>Mr. Dangar</i>) for copy of Mr. District Court Judge Murray's report on the holding of District Courts and Quarter Sessions at, 582; Return to Address laid on Table, 635.....		3	349
BRIDGES:—			
OVER ARMIDALE CREEK:—			
Motion made (<i>Mr. Terry</i>) for correspondence, &c., together with plans, sections, &c., of the two sites, Marsh-street and Faulkner-street, in the town of Armidale, 84; Return to Order, laid on Table, 228; Ordered to be printed, 254		5	1001
MYALL RIVER, AT BULAHDELAH:—			
Motion made (<i>Mr. Johnston</i>) for Committee of Whole for Address to Governor, that £2,500 be placed on Additional Estimate for 1879, 142; Order of the Day postponed, 216, 222; House in Committee, Speaker resumed Chair, Point of Order reported, Speaker gave ruling respecting reading from printed book or newspaper; House again in Committee; no report, 233.			
MCDONALD RIVER, AT ST. ALBANS:—			
Motion made (<i>Mr. Bowman</i>) for Committee of the Whole to consider Address to Governor, that £700 be placed on Additional Estimates for 1879, 143; Order of the Day postponed, 216, 222, 261, 297, Order of the Day discharged, 349.			
WILLIAMS RIVER:—			
Correspondence, minutes, &c., respecting, subsequent to those laid on Table in July, 1877, laid on Table, 224		5	993
COOK'S RIVER, BETWEEN KINGSGROVE AND CROYDON:—			
Correspondence, minutes, and other papers referring to, laid on Table, 224.....		5	989
QUEEN CHARLOTTE VALE CREEK, AT KING'S FALLS:—			
Motion made (<i>Mr. Pilcher</i>) for all petitions and other correspondence having reference to erection of, 250.			
COLLARROY AND MERRIWA CREEKS:—			
Motion made (<i>Mr. Hungerford</i>) that expenditure of money in construction of, is a waste of public funds, and that all money available for the North-western Line of Road should be expended on the roads, negatived on Division, 250.			
ACROSS THE BARRINGTON RIVER:—			
Motion made (<i>Mr. Johnston</i>) for Committee of the Whole to consider Address that £3,500 for the erection of, on road Gloucester to Barrington Gold Fields, and by leave withdrawn, 265.			
OVER THE CASTLEREAGH RIVER, AT COONAMBLE:—			
Motion made (<i>Mr. Coonan</i>) for correspondence having reference to construction of, 375; Return to Order, laid on Table, 450.....		5	1017
OVER THE NAMOI RIVER, AT MANILLA:—			
Petition from Residents, presented, 526		5	1023
BRONZE COINAGE:—			
Despatch laid on Table, 612.....		7	1017
BROUGHAM, MR. P., POLICE MAGISTRATE, BINGERA:—			
Return to Order (<i>Session 1877-8</i>), laid on Table, 51; Motion made (<i>Mr. McElhone</i>) that papers be printed, 89.....		3	357
Motion made (<i>Mr. McElhone</i>) in reference to position of as, and debate interrupted by Government business, 523; Debate resumed, and Motion negatived, 534.			
BUCHANAN, DAVID, ESQUIRE (See also "ELECTIONS AND QUALIFICATIONS COMMITTEE"):—			
Sworn as Member for Mudgee, in room of Mr. Rouse, 353.			
BULAHDELAH (See "BRIDGES.")			
BULDERUDGERA RUN:—			
Motion made (<i>Mr. Garrett</i>) for papers, &c., having reference to selection of Thomas Foran on, 392.			
BURWOOD PARK:—			
Motion made (<i>Mr. Macintosh</i>) for correspondence, minutes, plans, &c., in reference to, 617.			
BUSINESS:—			
OF THE SESSION:—			
Sessional Paper showing		1	675
Do. undisposed of, at close of the Session		1	669
DAYS:—			
Sessional Order passed, 7.			
PRECEDENCE OF GOVERNMENT:—			
Sessional Order passed, 7.			
PRECEDENCE OF GENERAL:—			
Sessional Order passed, 7.			
FORMAL:—			
Sessional Order passed, 7.			

REFERENCES TO THE VOTES AND PROCEEDINGS, VOL. I—SESSION 1878-9.		PAPERS.	
		VOL.	PAGE.
B			
BY-LAWS:—			
LAID ON TABLE:—			
Borough of Central Illawarra, 2			115
Municipal District of Hamilton, 2			117
Borough of The Glebe, 2			129
Do. Wagga Wagga, 12			131
Do. Balmain, 67			137
Do. Victoria, 77			139
Do. West Maitland, 146			149
Do. East Maitland, 254			151
Do. Inverell, 288			153
Do. Newcastle, 288			209
Do. Penrith, amended, 301			155
Do. Wollongong, 545		7	161
Do. Ashfield, 564			163
Municipal District of Hay, Water Supply, 109			141
Do. Tenterfield, 128, 538			145, 147
Borough of East St. Leonards, 128			143
Nuisances Prevention Act of 1875, Borough of The Glebe, 2			223
Do. do. do. Grafton, 2			221
Do. do. do. Hay, 273			225
Do. do. do. Newcastle, 288			209
Public Vehicles Regulation Act of 1873, 2(?), 81, 146, 207, 564			227 to 237
Newcastle Paving and Public Vehicles Regulation Act, 36, 220			239, 235
Municipal District of Bourke, 318			159
University of Sydney, 520		3	845
Borough of St. Peters (Free Library), 549		7	175
Municipal District of Central Shoalhaven, 659		7	171
Borough of The Glebe (Free Library), 663		7	177
BYRNES, CAPTAIN (See "VOLUNTEERS.")			
BYRON, JOHN:—			
Petition from, respecting his application for a pension under the Police Superannuation Act, presented, 332		3	627
C			
CABLE (See "TELEGRAPH.")			
CAMERON, ANGUS, ESQUIRE:—			
Motion made (<i>Mr. Driver</i>) for Election of, as Chairman of Committees, Amendment moved to substitute name of A. H. Jacob, Esquire, original Motion passed after Division, 14.			
Commission for, as Deputy Speaker, to administer the Oath to Members, reported by Mr. Speaker, and read by Clerk, 19.			
CAMPBELLTOWN (See "POLICE.")			
CAMPBELL'S WALL, REMOVAL OF, LOWER GEORGE-STREET:—			
Motion made (<i>Mr. J. Davies</i>) for all correspondence, &c., between Municipal Council, the A. S. N. Company, and the Government, 123.			
CANCELLATION OF CONDITIONAL PURCHASES (See "CROWN LANDS.")			
CANTERBURY (See "ELECTORAL.")			
"CAPTAIN COOK" PILOT STEAMER:—			
Motion made (<i>Mr. Cameron</i>) for Select Committee to inquire into management of, 90; Report brought up, 628		4	1011
CAREENING COVE (See "RECLAMATION OF LAND.")			
CAVANAGH, PATRICK (See "CROWN LANDS.")			
CEMETERY, WESLEYAN (See "NECROPOLIS.")			
CENTRAL CUMBERLAND (See "ELECTORAL.")			
CENTRAL ILLAWARRA (See "BY-LAWS.")			
CENTRAL SHOALHAVEN (See "BY-LAWS.")			
CHAIRMAN OF COMMITTEES:—			
Appointment of R. Driver, Esquire, as Deputy, 12.			
Election of Angus Cameron, Esquire, 14.			
Commission to, as Deputy Speaker, to administer the Oath to Members, receipt of reported, 19.			
Reports no Quorum in Committee of Supply, 526, 589, 597.			
Reports no Quorum in Committee of the Whole, 167 (?), 371 (?), 439 (?), 459, 577, 637 (?).			
Reports Point of Order from Committee of the Whole, 100, 233, 355, 359.			
CHALLENGED VOTES OF MEMBERS:—			
Motion made (<i>Mr. Greenwood</i>) that the Vote of Sir Henry Parkes, on the third reading of the Lands Acts further Amendment Bill, be disallowed, on the ground of direct pecuniary advantage, and negatived, 569. Similar motion respecting Mr. Baker's Vote made and negatived, 569.			
CHARITABLE INSTITUTIONS, MANAGEMENT OF:—			
Motion made (<i>Mr. O'Connor</i>) respecting unsatisfactory state of, and withdrawn, 597.			
CHARITIES, PUBLIC:—			
Report of Inspector, for 1878, laid on Table, 564		3	945
CHEQUES (See "BANKERS BOOKS AND CHEQUES BILL.")			
CHINESE, THE:—			
Information respecting, Residents in the Colony, laid on Table, 156			469
Petition from J. Macintosh, Chairman of Public Meeting, Sydney, praying that immediate steps be taken to prevent further influx of, presented, 50; ordered to be printed, 54			475
Petition from people of New South Wales, praying the adoption of measures for preventing any further influx of, presented, and read by Clerk, 128		7	477
Petition from Members of Working Men's Defence Association. do., presented, 157			479
Do. J. M. O'Connell, Chairman of Public Meeting of Citizens of Sydney, do., 161			479
Do. do., do. do., do., 184			481
Do. T. R. Smith, M.P., do. Residents of Redfern, do., do., 184			481

REFERENCES TO THE VOTES AND PROCEEDINGS, VOL I—SESSION 1878-9.		PAPERS.	
		VOL.	PAGE.
C			
CHINESE, THE (continued) :—			
Petition from J. M. O'Connell, Chairman of Public Meeting of Citizens of Sydney, presented, and read by Clerk, 184			481
Do. do., do. Inhabitants of Balmain, do., do., 184			481
Do. do., do. Citizens of Sydney, do., do., 192			481
Do. Henry J. Lambert, do. Wellington, do., do., 211			483
Do. Residents of Tenterfield and District, do., do., 239			491
Do. Inhabitants of Borough of Plattsburg, do., do., 249			493
Do. James Fullerton, LL.D., and others, praying that Chinese residents may be protected from violence and persecution, and that Treaty made with China in 1842 be carefully reconsidered and modifications made, presented, 260			495
Do. Residents of Barrington Gold Field, in Public Meeting assembled, that stringent measures for restricting influx into the Colony, presented, 267			485
Do. Residents of Mudgee and surrounding districts, do., presented, 267			485
Do. do. Sydney, do., do., 267			485
Do. Chinese Residents in New South Wales, that in any legislation no difference be made between the natives of China and those of any other friendly country, and that Petitioners may be heard at the Bar of the House against the Chinese Immigration Regulation Bill, presented, and read by the Clerk, 288	7		487
Do. Residents of Balmain against the influx of, into New South Wales, presented, 301			489
Do. Bombala and surrounding District, in Public Meeting assembled, do., do., 301			489
Do. Hunter River District, do., do., 305			489
CHINESE IMMIGRATION REGULATION BILL (See also "CHINESE, THE") :—			
Motion made (<i>Sir Henry Parkes</i>) for Committee of the Whole, 225; House in Committee, and Resolution agreed to, 229; presented and read 1 ^o , 240; Message from Governor, recommending, 250; Order of the Day postponed, 269, 303; Counsel heard at the Bar against, 319; Motion made for 2 ^o , and Debate adjourned, 319; read 2 ^o , 323; committed, 324; House again in Committee, 338, 344; reported with Amendments, 344; Motion made for adoption of report and Bill recommitted, 359; Point of Order in Committee, 359; reported 2 ^o , and Report adopted, 359; read 3 ^o , and sent to Council, 366			461
Petition from J. M. O'Connell, Chairman of Public Meeting, in favour of penal clauses, presented, 331			465
Do. New South Wales Political Reform Union, in favour of stringency and effectiveness, presented, 337			463
Do. G. R. Maclean, Chairman of Public Meeting, praying that new clause 11 may be expunged, 358			467
Do. Signed by J. M. O'Connell, presented, 363; read by Clerk, 363; question that Petition be received negatived, 364			
CHIPPENDALE ROMAN CATHOLIC CHURCH LAND SALE BILL :—			
Petition praying for leave to bring in, presented, 318; leave given, 365; presented and read 1 ^o , 365; referred to Select Committee, 371; Report brought up, 397; read 2 ^o , committed, reported without Amendment, and Report adopted, 458; read 3 ^o , and sent to Council, 462; returned without Amendment, 486; Assent reported, 510	7		847
CHURCH AND SCHOOL ESTATES :—			
Statement showing distribution of revenue for 1877 on account of Education, laid on Table, 526	3		745
CHURCH AND SCHOOL LAND FUND, PAYMENTS OUT OF, TO ROMAN CATHOLIC BISHOPS :—			
Motion made (<i>Mr. McElhone</i>) for a Return showing, from the year 1870 to end of 1878, how money was applied, 284; Return to Order, laid on Table, 443	3		731
CHURCH AND SCHOOL LANDS :—			
Motion made (<i>Mr. Bowman</i>) for Return showing number of acres alienated by auction and selection and area remaining since the passing of the Land Act of 1861, 438			
CHURCH OF ENGLAND REGISTERS (See "REGISTERS.")			
"CIMBA" SHIP, REMOVAL OF, FROM THE CIRCULAR QUAY :—			
Motion made (<i>Sir John Robertson</i>) for all letters, minutes, &c., together with opinion of Crown Law Officers in connection with, and right of ship "Patriarch" to occupy the berth, 156; Return to Order, laid on Table, 228	4		993
CIRCULAR QUAY :—			
WHARFAGE :—			
Return of Rent received from, for year 1870, to 30 June, 1878, and cost of collection, laid on Table, 36	4		991
REMOVAL OF SHIP "CIMBA" FROM :—			
Motion made (<i>Sir John Robertson</i>) for all letters, minutes, &c., together with opinion of Crown Law Officers, in connection with, and right of ship "Patriarch" to occupy the berth, 156; Return to Order, laid on Table, 228	4		993
IMPROVEMENTS TO :—			
Plans showing proposed, laid on Table as Exhibits, 618			
CITIES, TOWNS, AND VILLAGES (See "CROWN LANDS.")			
CITY OF GOULBURN GAS AND COKE COMPANY'S INCORPORATION BILL :—			
Petition presented (<i>Mr. W. Davies</i>) for leave to bring in, 105; leave given, 110; presented and read 1 ^o , 110; referred to Select Committee, 119; Report brought up, 153; Order of the Day postponed, 216, 221; read 2 ^o , committed, reported without Amendment, and Report adopted, 260; read 3 ^o , passed, and sent to Council, 264; returned with Amendments, 318; Amendments agreed to and Message to Council, 328; Assent reported, 361	7		827
CITY OF SYDNEY IMPROVEMENT BILL :—			
Motion made (<i>Mr. Driver</i>) for Committee of the Whole, 9; House in Committee, Resolution agreed to, 17; presented and read 1 ^o , 31; read 2 ^o , and committed, 77; House again in Committee, 105, 167; reported with Amendments and Report adopted, 167; read 3 ^o , passed, and sent to Council, 177; returned with Amendments, 497; Amendments agreed to with an Amendment, 534; Message to Council, 539; Message from Council agreeing to Assembly's Amendment upon Council's Amendments, 539; Assent reported, 550			
CIVIL SERVICE (See also "CROWN LANDS") :—			
Motion made (<i>Captain Onslow</i>) for a return showing number of officers incapacitated by age, sickness, or any other cause, giving particulars in each case; and that the information be in future included in the Blue Book, 81; Return (<i>in part</i>) to Order, laid on Table, 207; Further return (<i>in part</i>), laid on Table, 596	3		385, 387

REFERENCES TO THE VOTES AND PROCEEDINGS, VOL. I.—SESSION 1878-6.	PAPERS.	
	VOL.	PAGE.
C		
CIVIL SERVICE (continued) :—		
PLURALITY OF OFFICES :—		
Schedule to Estimates-in-Chief for 1879 (<i>Mr. Cohen</i>), showing total remuneration received by all public officers who hold more than one office, or who have any special allowance, quarters, fuel, or light, in addition to fixed salaries, laid on Table, 114.....	2	265
Similar Schedule to <i>Mr. Watson's</i> Estimates, laid on Table, 260	2	481
ASSISTANT CLERK OF PETTY SESSIONS, WARATAH :—		
Motion made (<i>Mr. J. Davies</i>) for all correspondence, including letters from late P.M., Waratah, in reference to appointment of, 123 ; Return to Order, laid on Table, 224		389
CROWN LANDS TAKEN UP BY MEMBERS OF :—		
Motion made (<i>Mr. McElhone</i>) for a Return showing quantity, area of each lot, and locality, as after auction selection or otherwise, during the last ten years, and offices held by the persons who have taken up such land, 251.		
TRAVELLING EXPENSES CHARGED BY MR. C. OLIVER :—		
Statement respecting, as Inspector of Land Offices, laid on Table, 283		495
INSPECTORS OF CONDITIONAL PURCHASES :—		
Return showing number of permanent and temporary, with names, dates of appointment, and present districts, laid upon Table, 301.....		497
CLERK OF PETTY SESSIONS, MUDGEE :—		
Motion made (<i>Mr. Hurley, Hartley</i>) for printing of Report of the Commissioner appointed to inquire into certain charges made against (<i>Session 1870-71</i>), 318		499
TRAVELLING EXPENSES OF INSPECTORS OF CONDITIONAL PURCHASES :—		
Return showing, laid on Table, 331.....		559
MR. W. A. DUNCAN, COLLECTOR OF CUSTOMS :—		
Motion made (<i>Mr. W. C. Browne</i>) for copies of correspondence, &c., having reference to leave of absence of, and the appointment of an Acting Collector, 337 ; Return to Order, laid on Table, 458		513
LANDS DEPARTMENT :—		
Motion made (<i>Mr. Garrett</i>) for particulars of appointments made by him in, 337 ; Return to Order, laid on Table, 417		547
APPOINTMENTS IN CONDITIONAL SALES BRANCH :—		
Copy of application for twenty-two additional clerks, laid on Table, 353.....		509
LANDS DEPARTMENT :—		
Motion made (<i>Mr. McElhone</i>) for particulars of appointments in, 431.		
Return showing number of officers and servants employed in connection with, during 1878, laid on Table, 434	3	511
Returns showing number of persons dismissed and appointed since <i>Mr. Hoskins</i> took office, laid on Table, 659		561
MR. HENRY JAMES GEEVILLE :—		
Motion made (<i>Mr. McElhone</i>) for correspondence, minutes, &c., in reference to a deficiency in the moneys received by, in the Insolvency Department, 444 ; Return to Order, laid on Table, 549.		523
MR. HENRY BAYLISS, POLICE MAGISTRATE, WAGGA WAGGA :—		
Motion made (<i>Captain Onslow</i>) for copy of petition of, to the Governor and Executive Council, 444 ; Return to Order, laid on Table, 522.....		517
MR. DUNSHEE, TIDE-WAITER :—		
Motion made (<i>Mr. McElhone</i>) for correspondence respecting alleged outrage on, 458.		
Motion made (<i>Mr. McElhone</i>) for copies of letters, correspondence, &c., in reference to applications for appointments of, or by, 482 ; Return to Order, laid on Table, 603		537
Motion made (<i>Mr. McElhone</i>) for copies of letters, minutes, or memorandums respecting general conduct of, 531.		
GOVERNMENT OFFICERS AS MEMBERS OF COMMISSIONS OR BOARDS OF INQUIRY :—		
Motion made (<i>Mr. McElhone</i>) respecting payment of fees to, when the meetings are held during office hours, 565.		
CIVIL SERVANTS AS DIRECTORS OF COMPANIES :—		
Motion made (<i>Mr. McElhone</i>) respecting, 582 ; Motion made (<i>Mr. Farnell</i>) to rescind motion so far as it affects the Civil Service Building Society, 618.		
MR. SLATTERY, CURATOR OF INTESTATE ESTATES :—		
Motion made (<i>Mr. McElhone</i>) for opinion of Crown Law Officers as to powers of, 582.		
AGNES DETTMAN :—		
Petition from, respecting Superannuation deduction from the salary of her late husband, presented, 600.....		563
IMPERIAL :—		
Minutes of the Lords of the Treasury relating to, laid on Table, 645.....		543
CIVIL SERVICE PENSIONERS DISQUALIFICATION BILL :—		
Motion made (<i>Mr. Garrett</i>) for leave to bring in, 392 ; presented and read 1 ^o , 393 ; Order of the Day postponed, 439, 478 ; Order of the Day discharged and Bill withdrawn, 492.		
CLAIMS OF MR. JAMES GLASS TO LAND AT MILLER'S CREEK. (See "CROWN LANDS.")		
CLARENCE, THE (See "RAILWAYS.")		
CLARK AND MACLEAY, MESSRS (See "CROWN LANDS.")		
CLARKE ISLAND (See "RESERVES.")		
CLERGY RETURNS TRANSFER BILL :—		
Motion made (<i>Mr. Fitzpatrick</i>) for Committee of the Whole, 123 ; House in Committee and Resolution agreed to, 123 ; Bill presented and read 1 ^o , 123 ; Message from Governor recommending, 124 ; read 2 ^o , committed, reported with Amendments, and Report adopted, 135 ; read 3 ^o , passed, and sent to Council, 137 ; returned with Amendments, 192 ; Order of the Day postponed, 204 ; House in Committee, Amendments agreed to, and Message to Council, 225 ; Assent reported, 239	7	877, 879
CLERK OF ASSEMBLY :—		
Reads Proclamation on opening of Session, 1.		
Reads Address in reply to Governor's Opening Speech, 4.		
Reads Deputy Speaker's Commission to Administer the Oath, 19.		
Swears Members of Committee of Elections and Qualifications, 27, 31, 47, 51, 239, 240.		
Reads petition at length, 128, 177, 288, 364, 542, 572, 581.		
Reads Address prepared for presentation to Her Majesty the Queen, on the death of the Princess Alice, 209.		
Reads Message, No. 34, requesting return of Estimates for 1878-9, 259.	2	329
Reads Report of Elections and Qualifications Committee, 265, 353, 388, 568	2	5, 29, 47, 63

INDEX.

xi

REFERENCES TO THE VOTES AND PROCEEDINGS, VOL. I.—SESSION 1878-9.		PAPERS.	
		VOL.	PAGE.
C			
CLERK OF ASSEMBLY (<i>continued</i>):—			
Reads Valedictory Address to His Excellency Sir Hercules Robinson, 342.			
Reads letter from Mr. Combes respecting Seat, 471.....	3		887
Reads entry by which second Bill is brought in on original leave, 420.			
Leave to return papers to Auditor General, 646.			
CLERK OF PETTY SESSIONS. (See "CIVIL SERVICE.")			
"CLYDE." (See "IMMIGRATION.")			
COAL, EXPORT OF, FROM NEWCASTLE :—			
Return showing during 1876, 1877, and 1878, laid on Table, 576.....	4		859
COAL MINES REGULATION ACT OF 1876 :—			
Opinion of Mr. Attorney General Windeyer on certain points submitted by the Honorable the Minister for Mines, 39 Vic. No. 31, laid on Table, 224.			
Opinion of Mr. Attorney General Dalley on certain points submitted by the Honorable the Minister for Mines, 39 Vic. No. 31, laid on Table, 224.			
COCHRAN, MR. JAMES, LAND CLAIMED BY :—			
Motion made (<i>Mr. McElhone</i>) for correspondence, minutes, telegrams, &c., relating to, as an improvement purchase out of the conditional purchase of Chas. H. White, 589.			
COHEN'S ENABLING BILL :—			
Petition presented (<i>Mr. Burns</i>) praying for leave to bring in, 393; leave given, 397; presented and read 1 ^o , 398; referred to Select Committee, 411; Report brought up, 468; read 2 ^o , committed, reported without Amendment, and Report adopted, 492; read 3 ^o , and sent to Council, 511; returned with Amendments, 549; Amendments agreed to, and Message to Council, 562; Assent reported, 588.....	7		853
COLONIAL AGENT GENERAL (See "AGENT GENERAL FOR THE COLONY.")			
COLONIAL ARCHITECT, ESTIMATES PREPARED BY :—			
Motion made (<i>Mr. Cameron</i>) for Return showing number prepared, and for which further sums have had to be voted, 592.			
COLONIAL MUSEUM IN LONDON :—			
Correspondence respecting, laid on Table, 583.....	3		875
COLLAROY CREEK (See "BRIDGES.")			
COLONIAL TREASURER :—			
Motion made (<i>Mr. McElhone</i>) respecting undesirability of Colonial Treasurer being a Bank Director or Manager, and negatived, 376.			
COLORADO BEETLE :—			
Additional correspondence relating to, laid on Table, 541.....	7		865
COMBES, EDWARD, ESQ., M.P. (See also "LEAVE OF ABSENCE") :—			
Motion made (<i>Mr. McElhone</i>) that the question whether Mr. Combes has accepted an office of profit under the Crown, within the spirit and meaning of the Constitution Act, be referred to the Committee of Elections and Qualifications for consideration and report, 185; Report brought up, read by Clerk, and Seat declared vacant by House, 265; letter from, respecting Seat, laid on Table, and read by the Clerk, 471.....	2 3		5 887
COMMERCIAL BANKING COMPANY OF SYDNEY INCORPORATION ACTS EXTENSION BILL :—			
Received from Legislative Council and read 1 ^o , 96; read 2 ^o , committed, reported without Amendment, and Report adopted, 153; read 3 ^o , passed, and returned to Council without Amendment, 164; Assent reported, 185.			
COMMERCIAL CHAMBERS (See "LANDS.")			
COMMERCIAL TREATY BETWEEN GREAT BRITAIN AND THE SANDWICH ISLANDS :—			
Despatch respecting, laid on Table, 2.....	2		1259
COMMISSION :—			
DEPUTY SPEAKER'S TO ADMINISTER THE OATH :—			
Receipt of, reported by Mr. Speaker, and read by the Clerk, 19.			
ROYAL, LANDS AND SURVEY DEPARTMENTS :—			
Correspondence respecting resignation of Mr. James Thomson, as member of, laid on Table, 160.....	4		213
Do. do. appointment of, laid on Table, 233.....	4		195
Report, laid on Table, 331.....	4		1
ROYAL, BERRIMA GAOL :—			
Report of, appointed to inquire into and report upon the management of, together with minutes of evidence and appendices, laid on Table, 181.....	3		1033
COMMISSIONERS OF INQUIRY UNDER LANDS ACTS AMENDMENT ACT (See "CROWN LANDS," also "ROYAL COMMISSION.")			
COMMISSIONERS OR BOARDS OF INQUIRY, GOVERNMENT OFFICERS AS MEMBERS OF :—			
Motion made (<i>Mr. McElhone</i>) respecting payment of fees to, when the meetings are held during office hours, 565.			
COMMITTEES (See also "SELECT COMMITTEES") :—			
Appointment of R. Driver, Esquire, as Deputy Chairman of, 12.			
Election of Angus Cameron, Esquire, as Chairman of, 14.			
Commission to Chairman of, as Deputy Speaker, to administer the Oath to Members, receipt of reported, and read by Clerk, 19.			
No Report from Committee of the Whole, 233, 279, 439.			
OF ELECTIONS AND QUALIFICATIONS :—			
Speaker's Warrant appointing, laid on Table, 6, 220; maturity of, reported, 25, 239; Members sworn, 27, 31, 47, 51, 239, 240, first meeting appointed, 188; leave given to adjourn for a longer period than seven days, 211; Speaker reported that no Member had attended at a meeting called, and thereupon appointed time and place for next meeting, 239, 240.			
SELECT, REPORTS LAID ON TABLE :—			
The Glebe Borough Bill, 46.....	7		797
Parramatta Town Hall Bill, 71.....	7		803
Sydney Infirmary and Dispensary Bill, 110.....	3		933
Redmond's Estate Bill, 122.....	7		809
Primitive Methodist Church Temporalities Bill, 149.....	7		819
City of Goulburn Gas and Coke Company's Incorporation Bill, 153.....	7		827
Orange Town Hall Site Sale Bill, 260.....	7		833
Mudgee Turf Club Bill, 302.....	7		839
Petition of Patrick and Michael Griffin, 326; adopted, 565.....	3		273

REFERENCES TO THE VOTES AND PROCEEDINGS, VOL. I.—SESSION 1878-9.	PAPERS.	
	VOL.	PAGE.
C		
COMMITTEES (continued) :—		
SELECT, REPORT LAID ON TABLE (continued) :—		
Chippendale Roman Catholic Church Land Sale Bill, 397	7	847
Cohen's Enabling Bill, 468	7	853
Jury List Deniliquin, 522	3	141
Pilot Steamer "Captain Cook," 628	4	1011
Petition of Mr. E. W. Rudder (Progress), 666	4	865
ELECTIONS AND QUALIFICATIONS, REPORTS LAID ON TABLE :—		
Mr. Combes, Member for Orange, 265	2	5
William Wilton and others v. Rouse, Mudgee, 353	2	29
Mr. Fitzpatrick, Member for Yass Plains, 388	2	47
Mr. Sutherland, Member for Paddington, 568	2	63
COMMON :—		
WAGGA WAGGA :—		
Motion made (<i>Mr. McElhone</i>) for all papers, correspondence, &c., in reference to application to purchase part of, by Mr. Donnelly, 268; Return to Order, laid on Table, 310	4	665
Motion made (<i>Mr. McElhone</i>) respecting the decision of various Ministers for Lands allowing Mr. Donnelly to purchase out of, and Debate adjourned, 445; Debate resumed, and question referred to Select Committee, 479; Return to Order and petition referred to Committee 482; name of Mr. Teece added to Committee, 497; Petition from John Donnelly praying to be allowed to be heard by Counsel before the Committee, presented, and leave given, 538	4	695
GUMLY GUMLY :—		
Petition from householders praying that it may be declared a public reserve, presented, 183	4	697
SINGLETON, TEMPORARY :—		
Return to Order (<i>Session 1877-8</i>), laid on Table, 663	4	699
ADELONG :—		
Petition from Gold-miners praying that a portion of the dedication may be revoked, presented, 392	4	723
COMPENSATION TO MRS. WALLINGS :—		
Motion made (<i>Mr. Hurley, Hartley</i>) for Committee of the Whole for Address, &c., that £500 be placed on Estimates for widow of late Senior-sergeant Wallings, shot on duty, and by leave withdrawn, 90.		
CONDITIONAL PURCHASES (See "CROWN LANDS"; also "MINERAL.")		
CONDITIONAL PURCHASES DECLARATORY BILL (See "TRANSFER OF CONDITIONAL PURCHASES DECLARATORY BILL.")		
CONDOBOLIN, LAND OFFICE AT :—		
Motion made (<i>Mr. Coonan</i>) for copies of petitions, letters, &c., having reference to establishment of, 430.		
CONDOLENCE. (See "ADDRESS.")		
CONFERENCE :—		
DUPLICATION OF TELEGRAPH LINES BETWEEN AUSTRALASIA AND EUROPE :—		
Report of the Proceedings of, held in May, 1878, in Melbourne, laid on Table, 2	5	713
WITH COUNCIL :—		
On Amendments in the Parliamentary Powers and Privileges Bill, requested by Assembly, 405; Council agrees, 421; held in back Library, 425.		
CONFIDENCE (See "WANT OF CONFIDENCE.")		
CONNELLY, JOHANNA (See "CROWN LANDS.")		
CONSOLIDATED REVENUE FUND BILL :—		
Message No. 25 (Vote of Credit), recommending, 215; Standing Orders suspended, 215; ordered (<i>Mr. Cohen</i>), presented, read 1 ^o , read 2 ^o , committed, reported without Amendment, Report adopted, read 3 ^o , 216; passed and sent to Council, and returned without Amendment, 217; Assent reported, 219		1201, 1203
CONSOLIDATED REVENUE FUND BILL (No. 2) :—		
Message No. 27 (Vote of Credit), recommending, 224; Standing Orders suspended, 225; ordered (<i>Mr. Watson</i>), presented, and read 1 ^o , read 2 ^o , committed, reported without Amendment, Report adopted on Division, read 3 ^o , passed and sent to Council, 226; returned without Amendment, 229; Assent reported, 239		1205
CONSOLIDATED REVENUE FUND BILL (No. 3) :—		
Message No. 38 (Vote of Credit), recommending, 301; Standing Orders suspended, 302; ordered (<i>Mr. Watson</i>), presented, and read 1 ^o , read 2 ^o , committed, reported without Amendment, Report adopted, read 3 ^o , passed and sent to Council, 303; returned without Amendment, 303; Assent reported, 306		1207
CONSOLIDATED REVENUE FUND BILL (No. 4) :—		
Standing Orders suspended, 379; Message No. 7 (Vote of Credit), recommending, 381; ordered (<i>Mr. Watson</i>), presented, and read 1 ^o , 384; read 2 ^o , committed, reported without Amendment, Report adopted, read 3 ^o , passed and sent to Council, 384; returned without Amendment, 385; Assent reported, 388	2	1209
CONSOLIDATED REVENUE FUND BILL (No. 5) :—		
Message No. 12 (Vote of Credit), recommending, 443; Standing Orders suspended, 450; ordered (<i>Mr. Watson</i>), presented, and read 1 ^o , read 2 ^o , committed, reported without Amendment, Report adopted, read 3 ^o , passed and sent to Council, 451; returned without Amendment, 455; Assent reported, 458		1211
CONSOLIDATED REVENUE FUND BILL (No. 6) :—		
Message No. 21 (Vote of Credit), recommending, 541; Standing Orders suspended, 542; ordered (<i>Mr. Watson</i>), presented, and read 1 ^o , read 2 ^o , committed, reported without Amendment, Report adopted, read 3 ^o , passed and sent to Council, 543; returned without Amendment, 546; Assent reported, 550		1213
CONSOLIDATED REVENUE FUND BILL (No. 7) :—		
Message No. 33 (Vote of Credit), recommending, Standing Orders suspended, ordered (<i>Mr. Watson</i>), presented, and read 1 ^o , read 2 ^o , 603; committed, reported without Amendment, Report adopted, passed, and sent to Council, returned without Amendment, 604; Assent reported, 609		1215
CONSTABLE, WILLIAM :—		
Motion made (<i>Mr. McElhone</i>) for copies of correspondence in reference to Conditional Purchases of, 331.		
CONTAGIOUS DISEASE (See "VENEREAL DISEASE.")		

REFERENCES TO THE VOTES AND PROCEEDINGS, VOL. I—SESSION 1878-9.	PAPERS.	
	VOL.	PAGE.
C		
CONTINGENT MOTIONS :—		
Parliamentary Powers and Privileges Bill, 114.		
Chinese Immigration Regulation Bill, 319.		
Supply, 366, 418, 582, 584.		
Lands Acts Further Amendment Bill, 445, 450.		
The Legislative Council, 650, 655.		
CONTRACTORS DEBTS BILL :—		
Motion made (<i>Mr. W. H. Suttor</i>) for leave to bring in, 239; presented and read 1°, 240; read 2° and committed, 296; Order of the day postponed, 349; further considered in Committee, reported without Amendment, and Report adopted, 411; read 3° and sent to Council, 493; returned without Amendment, 526; Assent reported, 542.		
CONTRACTS :—		
ENTRUSTED TO MESSRS. HUDSON BROS. :—		
Motion made (<i>Mr. Cameron</i>) for Return showing, with detailed particulars, without, since November, 1877, 239; Return to Order, laid on Table, 666	7	795
GOVERNMENT :—		
Motion made (<i>Mr. McElhone</i>) for pamphlet copy of, for 1877, 1878, and 1879, 365; Return to Order, laid on Table, 486	7	729
GENERAL STORES :—		
Return showing names of Contractors for the supply of, during 1876, 1877, and 1878, laid on Table, 375	7	791
MR. JAMES KIDMAN :—		
Correspondence respecting quality and quantity of supplies by, laid on Table, 375	7	761
FOR ROADWORK BY MESSRS. BLOMFIELD AND MUNFORD :—		
Motion made (<i>Mr. Badger</i>) for copies of contracts, agreements, specifications, &c., having reference to, at Tambaroora, Hill End, &c., and also for copies of the evidence taken before the Select Committee in April, 1875, 566.		
CONVENTION (See "CUSTOMS.")		
CONVICTIONS FOR VAGRANCY :—		
Motion made (<i>Mr. Cameron</i>) for a Return showing the number, at the Central and Water Police Courts, from June, 1877, to present date, with particulars in each case, 284; Return to Order, laid on Table, 342	3	277
CONVICTS, INFLUX OF, INTO N.S.W. FROM NEW CALEDONIA :—		
Motion made (<i>Mr. Fitzpatrick</i>) for all Despatches, Minutes, &c., having reference to, 283; Return to Address, laid on Table, 365	2	109
COOK'S RIVER (See "BRIDGES.")		
COMMISSION ON LANDS AND SURVEY DEPARTMENTS :—		
Report laid on Table, 331	4	1
COOMBER, ALFRED THOMAS :—		
Petition from, that he has been refused the necessary certificate to entitle him to a Volunteer Land Order, presented, 211	7	323
COONAMBLE (See "BRIDGES.")		
COOPER, SIR DANIEL, GRANT OF LAND HELD BY :—		
Motion made (<i>Mr. McElhone</i>) for copies of deeds of, 393; Return (<i>in part</i>) to Order, laid on Table, 650	4	455
Motion made (<i>Mr. McElhone</i>) for re-survey of, and withdrawn, on Mr. Speaker ruling that motion involved a charge on the Consolidated Revenue, 393, 394.		
COOPER, MR. W. H. (See "BEER'S DISABILITIES BILL").		
COPPER MINE, MILBURN CREEK :—		
Motion made (<i>Mr. Cohen</i>) for copy of the report of the Geological Surveyor on, 603; Return to Order, laid on Table, 609	4	861
COPYRIGHT BILL :—		
Motion made (<i>Mr. Windeyer</i>) for leave to bring in, 12.		
Motion made (<i>Mr. Windeyer</i>) for Committee of the Whole, 66; House in Committee, Resolution reported and agreed to, 123; presented and read 1°, 123; Message from Governor recommending, 141; Order of the Day postponed, 173, 215, 220, 261; read 2° and committed, 311; further considered in Committee, Reported with Amendments, and Report adopted, 370; read 3° and sent to Council, 376; returned without Amendment, 486; Assent reported, 510.	7	887
CORAL, PORT DARWIN CABLE :—		
Motion made (<i>Mr. McElhone</i>) for samples from Coral Reefs and Seas through which the Cable runs from Port Darwin to Banjoewangie, connecting Australia with Europe, 68; samples laid on Table (<i>as exhibits only</i>), 94.		
CORONERS (See "ADMINISTRATION OF JUSTICE").		
CORPORATION BILL (See "SYDNEY CORPORATION BILL").		
COSTS IN MATRIMONIAL CAUSES BILL :—		
Motion made (<i>Mr. Windeyer</i>) for leave to bring in, presented, read 1°, 12; Order of the Day postponed, 37; read 2°, committed, reported without Amendment, and Report adopted, 138; read 3°, passed, and sent to Council, 141; returned without Amendment, 163; Assent reported, 184.		
COUNCIL, LEGISLATIVE, THE :—		
Motion made (<i>Sir Henry Parkes</i>) respecting frustration of labours of Assembly by principle of nomination in constitution of, and introduction of Bill to make it responsible to the people, 650; Contingent Amendment moved (<i>Mr. Buchanan</i>) to abolish, and that a single Chamber is preferable to an elective second Chamber, and debate adjourned, 650; Debate resumed, Amendment negatived, and original Motion agreed to, 655.		
Return showing names of Members of, with dates of appointment, laid on Table, 659	2	107
COUNCIL OF EDUCATION (See "EDUCATION.")		
COUNT-OUT (See "NO QUORUM.")		
COOPER, ALEXANDER (See "CROWN LANDS.")		
COURT-HOUSE, BOMBALA :—		
Motion made (<i>Mr. Murphy</i>) for all correspondence respecting purchase of site for, 114; Return to Order, laid on Table, 192	3	193
COX, THE HONORABLE GEORGE HENRY (See "MUDGEE TURF CLUB BILL.")		
CRESWELL, WILLIAM (See "ADMINISTRATION OF JUSTICE.")		
CRICKETERS, AUSTRALIAN :—		
Correspondence respecting application of, for payment of full salary while absent, laid on Table, 411; Motion made (<i>Mr. Driver</i>) for Committee of the Whole to consider Resolution, 411; Order of the Day postponed, 458; Order of the Day discharged, 493; Motion again made (<i>Mr. Farnell</i>), and House counted out, 593	7	949

REFERENCES TO THE VOTES AND PROCEEDINGS, VOL. I.—SESSION 1878-9.	PAPERS.	
	VOL.	PAGE.
C		
CRICKET GROUND, MILITARY AND CIVIL :— Return to Order (<i>Session 1877-8</i>), laid on Table, 534.....	7	927
CRIMINALS COMMUTED PUNISHMENT BILL :— Received from Council and read 1 ^o , 646.		
CRIMINALS INFLUX PREVENTION BILL (See "FOREIGN CRIMINALS INFLUX PREVENTION BILL.")		
CROWN GRANTS (See also "GOVERNOR'S SIGNATURE BILL") :— Motion made (<i>Mr. Copeland</i>) for copies of forms of those issued since the passing of the "Crown Lands Alienation Act of 1861," 523 ; Return to an Order, laid on Table, 541.....		423
CROYDON (See "BRIDGES.")		
CROWN LANDS (See also "LAND"; also "RESERVES"; also "TRANSFER OF CONDITIONAL PURCHASES DECLARATORY BILL") :—		
SITES FOR CITIES, TOWNS, AND VILLAGES :— Abstract of, laid on Table, 12, 77, 146, 232, 444, 510, 576, 645, 666.....		589
DEDICATED TO RELIGIOUS AND OTHER PUBLIC PURPOSES :— Abstract of, laid on Table, 12, 77, 146, 192, 273, 379, 430, 541, 576, 659, 666.....		607
RESERVED FOR WATER SUPPLY, &c. :— Abstract of, laid on Table, 7, 77, 146, 232, 273, 342, 430, 510, 576, 645.....		543
DEDICATED FOR USE AND GENERAL PURPOSES OF PASTORAL AND AGRICULTURAL ASSOCIATIONS :— Abstract of, under Act 39 Vict. No. 13, sec. 32, laid on Table, 12, 77, 146, 659.....		629
ROYAL COMMISSION ON LANDS AND SURVEY DEPARTMENT :— Letter from James Thomson, tendering, and correspondence respecting his resignation as Member of, laid on Table, 160.....		213
Correspondence, &c., relating to appointment of, laid on Table, 283.....		195
Report laid on Table, 331.....		1
ALIENATED, PORT JACKSON :— Further Return (<i>in part</i>) to Order (<i>Session 1875-6</i>), laid on Table, 2.....	4	917
RECLAMATION OF LAND, PORT JACKSON :— Return (<i>in part</i>) to Order (<i>Session 1876-7</i>), laid on Table, 2.....		913
PROSPECTING FOR GOLD :— Regulations relative to Vote for, laid on Table, 2.....		737
LANDS OFFICE, ALLEGED FALSE DECLARATIONS :— Motion made (<i>Captain Onslow</i>) for all Papers relating to any disputed declarations made respecting Conditional Purchases by Members of Parliament, 22.		
ADMINISTRATION OF THE LAND LAWS :— Motion made (<i>Mr. Baker</i>) that delay in reform of, is injurious, and that Government should make arrangements, to expedite business in the department, and negatived, 22.		
HOLDEN'S CONDITIONAL PURCHASES, PATERSON DISTRICT :— Motion made (<i>Mr. H. H. Brown</i>) for copies of all declarations, evidence, &c., having reference to forfeiture of, 22.		
UNDER PASTORAL LEASE AND CONDITIONAL PURCHASE :— Return (<i>in part</i>) to Order (<i>Session 1877-8</i>), laid on Table, 41, 497.....		327, 405
CONDITIONAL PURCHASES OF JOHN ROBARDS, AND CLADIUS SMITH, AT SHADE'S CREEK :— Motion made (<i>Mr. Shepherd</i>) for all papers connected with, 51.		
CONDITIONAL PURCHASES OF M. BRENNAN AND MISS HARRINGTON, YANKO CREEK :— Return to Order (<i>Session 1877-8</i>), laid on Table, 292.....		217
VOLUNTEER LAND ORDERS (See "VOLUNTEERS.")		
INSPECTORS OF CONDITIONAL PURCHASES :— Return of number of permanent and temporary, names, dates of appointment, and districts, laid on Table, 301.....	3	497
COMPENSATION TO JOHANNA CONNELLY :— Motion made (<i>Mr. Bennett</i>) for Committee of the Whole, for Address to the Governor that £526 be placed on Estimates for 1879, 52 ; Order of the Day postponed, 61, 91 ; Order of the Day discharged, 106.		
JOSIAH PITTY'S CONDITIONAL PURCHASE AT DENILQUIN :— Motion made (<i>Mr. Hurley, Hartley</i>) for a Select Committee to inquire into and report upon, 52.		
APPLICATIONS FOR LAND AT GULF CREEK :— Motion made (<i>Mr. Hurley, Hartley</i>) for all papers, minutes, &c., relating to, of Messrs. Banks, Lester, and Farquhar, and also of Messrs. Griffiths and Gaffney, 77 ; Return to Order, laid on Table, 260.....		745
JOHN SMITH'S APPLICATIONS TO PURCHASE IMPROVED :— Return of, in county of Ashburnham, laid on Table, 88.....		407
MESSRS. HACKETT AND ARMSTRONG :— Petition from, alleging that they purchased the right, title, and interest in and to certain land in the parish of Merran, county of Wakool, and that the purchase has been declared void, presented, 105 ; ordered to be printed, 110.....		535
MESSRS. LAKEMAN AND ARMSTRONG :— Petition from, that they applied, under the 25th clause of the Crown Lands Alienation Act, to purchase lands in parish of Windowran, county of Wakool, and that their applications have been refused, presented, 105 ; ordered to be printed, 109.....		537
LAND SOLD AT NARRANDERA TO MESSRS. CLARK AND MACLEAY :— Motion made (<i>Mr. McElhone</i>) for all papers respecting, and correspondence respecting withdrawal of request of Darlington Point Free Selectors Association, 110 ; Return to Order, laid on Table, 273.....	4	495
CONDITIONAL PURCHASES OF JOHN DALY AND OTHERS, AT CASINO :— Motion made (<i>Mr. Bowden</i>) for all correspondence, applications, &c., relative to, inquired into by Commissioner Bolding, at Lismore, 129 ; Return to Order, laid on Table, 609.....		311
PATRICK CAVANAGH'S PRE-EMPTIVE LEASE, GININDERRA :— Motion made (<i>Mr. Thompson</i>) for all applications, correspondence, &c., as to granting to, and cancellation of, county of Murray, 141 ; Return to Order, laid on Table, 232.....		487
RESERVATION OF, ADJOINING RAILWAY LINES :— Motion made (<i>Mr. Hurley, Hartley</i>) that lands adjoining to, and 2 miles in width on each side of proposed extensions of Railway, shall only be sold by auction, and that portions be reserved as sites for townships and other public purposes, and that proceeds of sale of such land be set apart as a fund to defray cost of Railways, and withdrawn, 142.		
ALEXANDER COUPER :— Petition from, that he obtained, by auction selection, land in county of Bourke, and that issue of deed of grant is refused him by the Crown, presented, 142.....		539

INDEX.

XV

REFERENCES TO THE VOTES AND PROCEEDINGS, VOL. I.—SESSION 1878-9.		PAPERS.	
		VOL.	PAGE.
C			
CROWN LANDS (continued) :—			
APPROPRIATION OF LAND FOR PUBLIC PURPOSES :—			
Motion made (<i>Mr. Sutherland</i>) for Committee of the Whole to consider the expediency of bringing in a Bill to provide for, 146 ; Order of the Day postponed, 150 ; Order of the Day discharged, 229.			
TAKEN UP, BY CIVIL SERVANTS :—			
Motion made (<i>Mr. McElhone</i>) for Return showing quantity, area of each lot, and locality, as after auction selection or otherwise, during the last ten years, 251.			
PATRICK RYAN'S CONDITIONAL PURCHASE AT MOLONG :—			
Motion made (<i>Mr. Coonan</i>) for all papers, letters, &c., respecting, 260.			
THE LAND LAW :—			
Petition from Free Selectors and others, residents of Young, that a Bill be introduced to remedy certain defects in, in regard to improved conditional purchases, presented, 177			
			529
QUAT QUATTA RESERVE :—			
Motion made (<i>Mr. McElhone</i>) for copies of correspondence, &c., in reference to the claim of J. Wallace, 315.			
LAND OFFICE AT ALBURY :—			
Motion made (<i>Mr. Thompson</i>) for copies of reports, &c., relating to irregularities in, 315 ; Return to Order, laid on Table, 331			
			505
COMMISSIONERS OF INQUIRY UNDER LANDS ACTS AMENDMENT ACT :—			
Motion made (<i>Mr. Thompson</i>) for Return showing particulars of cases investigated by, during 1878, 279 ; Return to Order, laid on Table, 478			
	4		513
PUCKA WIDGEE RUN :—			
Motion made (<i>Mr. Barbour</i>) for all applications under Conditional Improvement and Improvement Clauses of the Land Act, by Robert Patterson, conflicting with Conditional Purchase application by William O'Dwyer, at Deniliquin, 1876, with all correspondence thereon, of, 279.			
MUTTAMA RUN :—			
Memorandum showing purchases on, under section 7 of the Crown Lands Alienation Act of 1861, laid on Table, 296			
			503
TRAVELLING EXPENSES OF INSPECTORS OF CONDITIONAL PURCHASES :—			
Return of, laid on Table, 331			
	3		559
LAND TAKEN UP BY MEMBERS OF PARLIAMENT BY AFTER AUCTION SELECTIONS :—			
Motion made (<i>Mr. McElhone</i>) for Return showing, 331.			
WILLIAM CONSTABLE'S CONDITIONAL PURCHASES :—			
Motion made (<i>Mr. McElhone</i>) for copies of correspondence in reference to, 331.			
C. A. GOODCHAP'S CONDITIONAL PURCHASE AT SPRINGWOOD :—			
Motion made (<i>Mr. McElhone</i>) for copies of correspondence having reference to, 331 ; Return to Order, laid on Table, 581			
			283
AMENDMENT OF THE LAND LAW :—			
Motion made (<i>Mr. McElhone</i>) for Committee of the Whole to consider Resolutions, and Debate interrupted by Government Business, 332 ; Order of the Day postponed, 349, 371, 412, 478 ; Debate resumed, and motion negatived, 534.			
BALANCES DUE ON AUCTION PURCHASES :—			
Motion made (<i>Mr. Garrett</i>) for Return showing particulars of, 337.			
CONDITIONAL PURCHASES ON GOLD FIELDS :—			
Return to Order (<i>Session 1877-8</i>), laid on Table, 375			
			233
INCOMPLETE CONDITIONAL PURCHASES :—			
Motion made (<i>Mr. Garrett</i>) for Return showing particulars of, 397. Return to Order, laid on Table, 434			
			409
FORFEITED CONDITIONAL PURCHASES :—			
Motion made (<i>Mr. Garrett</i>) for Return showing particulars of, 397.			
APPLICATIONS OF MESSRS. GILMOUR, BEARD, AND SMITH, FOR VACANT COUNTRY IN THE DISTRICT OF WELLINGTON :—			
Motion made (<i>Mr. Coonan</i>) for copies of tenders, letters, &c.; having reference to applications of, for new country in the District of Wellington, 411.			
CONDITIONAL PURCHASES OF HUGH WALLACE, AND HENRY M. WALLACE :—			
Motion made (<i>Mr. Burns</i>) for Papers relating to, 430.			
LAND SOLD AT AUCTION :—			
Return showing area of, from 1st January to 31st March, 1879, laid on Table, 458			
	4		517
CONDITIONAL PURCHASES OF LAYFIELD, GRAY, AND OTHERS :—			
Return to Order (<i>Session 1877-8</i>), laid on Table, 471.			
			235
LAND SOLD NEAR JEBILDEBIE :—			
Motion made (<i>Mr. Barbour</i>) for Return showing quantity of, for the past seven years, 486 ; Return to Order, laid on Table, 612			
			521
CONDITIONAL PURCHASES OF THOMAS KERR, ROBERT BARBOUR, AND OTHERS, NEAR DENILIQUIN :—			
Return (<i>in part</i>) to Order, (<i>Session 1877-8</i>), laid on Table, 489			
			239
Return (<i>in completion</i>) to Order (<i>Session 1877-8</i>), laid on Table, 645			
			251
UNDER PASTORAL LEASE AND CONDITIONAL PURCHASE :—			
Return (<i>in part</i>) to Order, (<i>Session 1877-8</i>), laid on Table, 41, 497			
			327, 405
LAND SOLD TO MR. DINES :—			
Motion made (<i>Mr. McElhone</i>) for correspondence, minutes, &c., in reference to, 515.			
MESSRS. ARMSTRONG, LAKEMAN, AND COUPER, APPLICATIONS FOR LANDS BY :—			
Return (<i>in part</i>) to Order (<i>Session 1877-8</i>), laid on Table, 520			
			415
FORMS OF CROWN GRANTS :—			
Motion made (<i>Mr. Copeland</i>) for a copy of those issued since the passing of the Crown Lands Alienation Act of 1861, 523 ; Return to Order, laid on Table, 541			
			423
LAND SALES AT ARMIDALE, WALCHA, &c. :—			
Return (<i>in part</i>) to Order (<i>Session 1877-8</i>), laid on Table, 531			
			305, 307
MR. ANDREW McDUGALL :—			
Petition from, alleging that grant of land had been promised him by Sir Thomas Brisbane, presented, 635			
			541
CANCELLATION OF CONDITIONAL PURCHASES :—			
Motion made (<i>Mr. McElhone</i>), that Attorney General should give Opinion on, and withdrawn, 535.			
MICHAEL REED'S CONDITIONAL PURCHASE AT SPRINGWOOD :—			
Motion made (<i>Mr. McElhone</i>) for correspondence in reference to, 545.			
CLAIMS OF MR. J. GLASS TO LAND AT MILLER'S CREEK :—			
Motion made (<i>Mr. Bennett</i>) for Select Committee to inquire into, and withdrawn, 550.			
Motion made (<i>Mr. Bennett</i>) for copies of papers, letters, &c., from Messrs. J. Sevil and J. Glass, with reference to the purchase of certain land by virtue of improvements, 568.			

REFERENCES TO THE VOTES AND PROCEEDINGS, VOL. I.—SESSION 1878-9.	PAPERS.	
	VOL.	PAGE.
C		
CROWN LANDS (continued) :—		
LAND ALIENATED DURING THE YEAR 1878 :—		
Return showing, and the number of conditional purchases transferred, lapsed, and forfeited during the same year, laid on Table, 554		421
THOMAS ROSE'S CONDITIONAL PURCHASE :—		
Return to Order (<i>Session 1877-8</i>), laid on Table, 562		275
OPINION OF ATTORNEY GENERAL ON PROTEST OF HEW BLACKWOOD PATTERSON :—		
Laid on Table, 564		519
RESERVES ON RUNS :—		
Memorandum prepared by the Surveyor General, explaining the conditions under which they would be made, laid on Table, 572		663
MINIMUM PRICE OF COUNTRY LANDS PURCHASED BY VIRTUE OF IMPROVEMENTS :—		
Motion made (<i>Mr. Copeland</i>) fixing price, and negatived, 582.		
MINERAL CONDITIONAL PURCHASES :—		
Numerical Return respecting, laid on Table, 587		837
LAND CLAIMED BY MR. JAMES COCHRAN :—		
Motion made (<i>Mr. McElhone</i>) for correspondence, minutes, telegrams, &c., relating to, as an improvement purchase out of the conditional purchase of Chas. H. White, 589	4	
OFFICES, ARMIDALE, WALCHA, GLEN INNES, INVERELL, BINGERA, AND WARRIALDA :—		
Return (<i>in completion</i>) showing the total area of land selected, and number of selections made, from 1 March, 1877, to 1 March, 1878, laid on Table, 592		305, 307
CONDITIONAL PURCHASES HELD BY MEMBERS OF THE LEGISLATIVE ASSEMBLY :—		
Return of, laid on Table, 609		309
CROWN LANDS BILL (See also "LANDS ACTS FURTHER AMENDMENT BILL") :—		
Motion made (<i>Mr. Farnell</i>) for Committee of the Whole, 36; House in Committee, and Resolution agreed to, 41; presented, and read 1°, 94; Message No. 7, 94; Order of the Day postponed, 150; Motion made for 2°, 164; and debate interrupted by admission to the body of the House of William McArthur, Esquire, 164; Resumed and adjourned, 164; Debate resumed, and further adjourned, 177, 181, 188; Debate resumed and 2° negatived on Division, 193		523
Petition from Richard Sadleir, R.N., that certain suggested provisions be taken into consideration, presented, 128		527
CURATOR OF INTESTATE ESTATES (See "SLATTERY, MR.")		
CURRAWANG (See "ROADS.")		
CUSTOMS :—		
Return of White Spirits, Spirits of Wine, and Fusel Oil, taken out of bond, laid on Table, 228	2	1243
Murray River Convention, between New South Wales and South Australia, laid on Table, 268 ...	2	1231
Correspondence respecting Border Duties, laid on Table, 411	2	1235
Papers respecting seizure of case of perfumed spirits, imported by Messrs. Hordern and Sons, laid on Table, 603	2	1247
Despatch respecting Italian General Tariff, laid on Table, 612	2	1253
DUNCAN, MR. W. A. :—		
Motion made (<i>Mr. W. C. Browne</i>) for copies of correspondence, &c., having reference to leave of absence of, and the appointment of an Acting Collector, 337; Return to Order, laid on Table, 458	3	513
DUNSHEE, MR. TIDE-WAITER :—		
Motion made (<i>Mr. McElhone</i>) for correspondence respecting alleged outrage on, 458.		
Motion made (<i>Mr. McElhone</i>) for copies of letters, correspondence, &c., in reference to applications for appointments of or by, 482; Return to Order, laid on Table, 603	3	537
Motion made (<i>Mr. McElhone</i>) for copies of letters, minutes, or memorandums, respecting general conduct of, 531.		
CUSTOMS REGULATION BILL :—		
Motion made (<i>Mr. Cohen</i>) for Committee of the Whole, 47; Message from the Governor, 54; House in Committee, Resolution agreed to, Bill presented and read 1°, 54; read 2° and committed, 72; House again in Committee, 130; reported with Amendments, 130; recommitted, reported 2° with further Amendments, and Report adopted, 135; read 3°, passed, and sent to Council, 146; returned with Amendments, 463; Amendments agreed to, and Message to Council, 484; Assent reported, 510.		
D		
DALY, JOHN (See "CROWN LANDS.")		
DAMAGE BY FLOOD (See "FLOOD.")		
DANISH SHIPS :—		
Despatch respecting re-measurement of, laid on Table, 549	7	861
DANGAR, THOMAS, ESQUIRE :—		
Leave of absence to, 511.		
DARBY, MR. A. T. :—		
Motion made (<i>Mr. W. C. Browne</i>) for information, &c., by Senior-constable Flannigan against, for a breach of the Vagrant Act, 397; Return to Order, laid on Table, 564	3	309
DARLING HARBOUR, DAMAGE BY FLOOD TO PROPERTY IN :—		
Motion made (<i>Mr. Macintosh</i>) for all petitions, correspondence, reports, &c., having reference to loss suffered by Messrs. Biddell, Zollner, and others, on the reclaimed land, 265; Return to Order, laid on Table, 568	4	963
DARLINGHURST GAOL (See "LECTURES IN DARLINGHURST GAOL.")		
DEATHS (See "REGISTERS"; also "CLERGY RETURNS TRANSFER BILL.")		
DEBATE (See "ADJOURNMENT.")		
DEFENCES OF THE COLONY :—		
Detailed Statement of proposed expenditure for 1879, laid on Table, 337; other Papers laid on, in substitution, 375	7	255
DENILQUIN (See also "ADMINISTRATION OF JUSTICE") :—		
Motion made (<i>Mr. Barbour</i>) for Committee of the Whole for Address to Governor that £300 be placed on Estimates for supply and erection of Town Clock for Town Hall, and negatived, 122.		
DENOMINATIONAL SCHOOLS (See "EDUCATION.")		
DENOMINATIONAL SCHOOL TEACHERS (See "EDUCATION.")		

REFERENCES TO THE VOTES AND PROCEEDINGS, VOL. I—SESSION 1878-9.	PAPERS.	
	VOL.	PAGE.
D		
DEPUTY CHAIRMAN OF COMMITTEES :— Appointment of Mr. Driver to act as, 12.		
DEPUTY SPEAKER'S COMMISSION TO ADMINISTER THE OATH :— Receipt of, reported by Mr. Speaker, and read by the Clerk, 19.		
DESPATCHES :—		
LAID ON TABLE :—		
Commercial Treaty between Great Britain and the Sandwich Islands, 2	2	1259
Disallowing the Matrimonial Causes Act Amendment Act, 7	7	859
Board of Trade Examinations, 156	7	863
Report of the Deputy Master of the Mint on the Gold Coinage of the Sydney Branch, for the year ended 30 June, 1878, 220	7	1013
Sydney Branch of the Royal Mint, 331	7	1015
Re-measurement of Danish Ships, 549	7	861
Silver and Bronze Coinage, 612	7	1017
Alterations in the Italian General Tariff, 612	2	1253
DETTMAN, AGNES :— Petition from, respecting Superannuation deduction from the salary of her late husband, presented, 600	3	563
DICTIONARY OF DATES (See "AUSTRALIAN DICTIONARY OF DATES.")		
DINES, MR. LAND SOLD TO :— Motion made (<i>Mr. McElhone</i>) for correspondence, minutes, or in reference to, 515.		
DIRECTOR (See "MINISTERIAL OFFICES.")		
DIRECTORS OF COMPANIES, CIVIL SERVANTS AS :— Motion made (<i>Mr. McElhone</i>) respecting, 582. Motion made (<i>Mr. Farnell</i>) to rescind motion so far as it affects the Civil Service Building Society, 618.		
DISEASES IN SHEEP ACTS AMENDMENT ACT OF 1878 :— Regulations under, laid on Table, 7, 217, 640	7	639, 645, 649
DISCOVERY OF GOLD (See "GOLD.")		
DISORDER :— In the Gallery by Mr. Charles Kidman, during Debate, 342, 376, 398.		
DISTILLATION BILL :— Motion made (<i>Mr. Cohen</i>) for Committee of the Whole, 177 ; Order of the Day postponed, 204 ; Order of the Day discharged, 225.		
DISTRICT COURTS ACT OF 1858 :— Annual Returns under the 103rd section of, laid on Table, 51, 609	3	1, 63
Order in Council respecting Alteration in scale of Fees under, laid on Table, 164	3	133
DISTRICT COURT JUDGES, SALARIES OF :— Motion made (<i>Mr. R. B. Smith</i>) for Committee of the Whole to consider Address to Governor, that Government bring in Bill to provide for Increases, and negative on Division, 158.		
DISTRICT COURTS AND QUARTER SESSIONS AT BREWARRINA :— Motion made (<i>Mr. Dangar</i>) for Copy of Mr. District Court Judge Murray's Report respecting holding of, 582 ; Return to Address, laid on Table, 635	3	349
DISTRICT COURT, LISMORE :— Motion made (<i>Mr. Driver</i>) for copies of petitions, letters, &c., having reference to the establishment of, 471.		
DIVISIONS :—		
Attendances of Members in, and Counts-out during the Session	1	673
Chairman of Committees, 14.		
Lectures in Darlinghurst Gaol, 17.		
Adjournment of Debate, 58, 173, 189, 512.		
Special Adjournment, 71 (?), 421.		
No Tellers for, 90 (?), 225, 582, 660.		
Adjournment of the House, 389, 520.		
Restoration of the Order of the Day, 186.		
Previous Question, 618.		
Discharge of Order of the Day, 280.		
Amendment on going into Committee of Supply, 418.		
International Exhibition in Sydney, 48, 97(?).		
Beer's Disabilities Bill, 61.		
Matrimonial Causes Act Amendment Bill, 67.		
Railway Refreshment Rooms Bill, 78 (?), 186.		
Mr. P. Brougham, Police Magistrate, Bingera, 89, 534.		
Mr. John Garsed, 90.		
Land Agents, 110.		
Ministerial Offices, 111.		
Petition of Mr. E. W. Rudder, 142.		
Bridge across the Myall River, at Bulahdelah, 142, 233.		
Bridge across the McDonald River, at St. Albans, 143.		
Widow of the late John Dunmore Lang, 157.		
Salaries of District Court Judges, 158.		
William Creswell, Arthur Orton, 172.		
Town Clock, Deniliquin, 173.		
Married Women's Relief Bill, 173.		
Crown Lands Bill, 189, 193.		
Want of Confidence in the Ministry, 211.		
Small Debts Act Further Extension Bill, 221.		
Bankers Books Evidence Bill, 222, 327.		
Consolidated Revenue Fund Bill (No. 2), 226.		
Bridges over Collaroy and Merriwa Creeks, 250.		
Birds and Animals Protection Bill, 261.		
Justices Acts Further Amendment Bill, 280 (?).		
Jury List, Deniliquin, 284.		
Felons Apprehension Bill, 293.		
Chinese Immigration Regulation Bill, 323, 359, 363, 364, 366 (?).		
Mudgee Turf Club Bill, 327.		
Supreme Court (Additional Judge) Bill, 332, 355, 472.		
Valedictory Address to His Excellency Sir Hercules Robinson, 343.		

REFERENCES TO THE VOTES AND PROCEEDINGS, VOL. I.—SESSION 1878-9.		PAPERS.	
	VOL.	PAGE.	
D			
DIVISIONS (continued) :—			
Seat of Michael Fitzpatrick, Esquire, 354.			
Felons Apprehension Act Amendment Bill, 358, 365.			
The Office of Colonial Treasurer, 376.			
Grants of Land held by Sir Daniel Cooper, 393 (²)			
Metropolitan Railway Extension Bill, 398.			
Barrington Gold Field, 463.			
Hospital in Macquarie-street, 467.			
Gold-mining Leases, 483, 592.			
Printing for Mr. Heaton at the Government Printing Office, 492.			
Parliamentary Powers and Privileges Bill, 512.			
Amendment of the Land Law, 535.			
Lands Acts Further Amendment Bill, 559, 569 (²).			
Petition of Patrick and Michael Griffin, 565.			
Major Spalding, 610.			
Tolls and Ferry Dues, 618.			
Foreign Criminals Influx Prevention Bill, 636.			
The Legislative Council, 656 (²).			
IN COMMITTEE OF THE WHOLE :—			
Weekly Report of, Nos. 1 to 34	1	677	
Lunacy Bill, 677.			
Railway Refreshment Rooms Bill, 678, 714.			
Drunkards Punishment Act Amendment Bill, 679, 680.			
Sydney Corporation Bill, 681, 682, 683, 697 (s), 698 (s), 699, 704 (s), 707, 708, 709 (²), 710 (s), 713, 731, 732 (²), 733 (²), 734 (²).			
Birds and Animals Protection Bill, 685, 699, 700 (²), 711.			
International Exhibition in Sydney, 686.			
City of Sydney Improvement Bill, 686, 687.			
Duplication of the Port Darwin Telegraph Cable, 690, 691 (s), 692 (²), 693 (²), 696.			
Small Debts Act Further Extension Bill, 701, 702, 740 (²).			
Sydney Infirmary and Dispensary Bill, 702.			
Bridge across the Myall River, at Buladelah, 705.			
Felons Apprehension Bill, 715.			
Copyright Bill, 718.			
Parliamentary Powers and Privileges Bill, 719, 720 (²), 739, 747.			
Chinese Immigration Regulation Bill, 722 (²), 724, 725 (²), 728.			
Additional Judge of the Supreme Court, 724.			
Supreme Court (Additional Judge) Bill, 724, 727, 737 (s), 750 (²).			
Redfern to Hunter-street Tramway Bill, 725,			
Loan Fund Amalgamation Bill, 738, 739.			
Mudgee Turf Club Bill, 743 (²), 744 (s).			
Lands Acts Further Amendment Bill, 749, 750, 751 (²), 752 (²), 753, 754 (²), 755, 757 (²), 758, 759 (s), 765 (²), 766 (s), 767 (s), 768 (²), 769 (²), 770, 771, 772 (²), 773 (s), 774 (²).			
Supreme Court Temporary Judge Bill, 777.			
Appropriation Bill, 787.			
Public Works Loan Bill, 790.			
SUPPLY—GENERAL ESTIMATES FOR 1879 :—			
<i>International Exhibition</i> , 703, 746.			
<i>Sydney Corporation</i> , 717.			
<i>Legislative Council</i> , 720, 721 (²).			
<i>Permanent and Volunteer Military Force—General Staff</i> , 721 (²).			
<i>Naval Brigade</i> , 723.			
<i>Agent General for the Colony</i> , 729.			
<i>Immigration</i> , 729, 730.			
<i>Industrial Schools</i> , 730.			
<i>Charitable Allowances—Sydney Infirmary</i> , 730.			
<i>Quarantine</i> , 731, 735 (²).			
<i>Board of Pharmacy</i> , 736.			
<i>Tug-boat for the Macleay, Bellinger, and Nambuccera Rivers</i> , 736.			
<i>Advance to Treasurer</i> , 736.			
<i>Department of Justice and Public Instruction</i> , 741 (²).			
<i>Prothonotary</i> , 742.			
<i>Salary short paid to Sir Alfred Stephen, C.B.</i> , 742.			
<i>Colonial Architect</i> , 745 (²), 746.			
<i>Public Works and Buildings</i> , 761 (²) 762 (s).			
<i>Railways—Existing Lines—Working Expenses</i> , 763.			
<i>Permanent and Volunteer Military Forces—Artillery Force</i> , 775.			
<i>Conditional Lands Sales—Commissioners of Inquiry</i> , 779.			
<i>Electric Telegraphs</i> , 780.			
<i>Secretary for Lands—Law Expenses in case Mate v. Nugent</i> , 780 (²).			
SUPPLEMENTARY ESTIMATES FOR 1878 AND PREVIOUS YEARS :—			
<i>Charitable Allowances—Benevolent Society</i> , 781.			
<i>Colonial Secretary—Miscellaneous</i> , 781.			
<i>Customs—Acting Collector</i> , 783.			
FURTHER ESTIMATE—ACCUMULATED SURPLUS :—			
<i>International Exhibition</i> , 785.			
LOAN ESTIMATE, 1879 :—			
<i>Railway from Wallerawang to Mudgee</i> , 788.			
<i>Railway from Redfern to Circular Quay</i> , 788.			
<i>Railway to Suburbs—Randwick, Waverley, and Woollahra</i> , 788.			
<i>Railway Stores and Materials</i> , 788.			
DIVORCE BILL (See also "MATRIMONIAL CAUSES ACT AMENDMENT BILL") :—			
Motion made (<i>Mr. Hurley, Hartley</i>) for leave to bring in, 16.			
DOG ACT :—			
Petition from Inhabitants of Mulbring and Mount Vincent, praying that the operation of the Act may not be continued in those districts, presented, 146	7	981	
DOMAINS AND BOTANIC GARDENS :—			
General report on present condition of, laid on Table, 392	7	871	

REFERENCES TO THE VOTES AND PROCEEDINGS, VOL. I.—SESSION 1878-9.	PAPERS.	
	VOL.	PAGE.
D		
DONNELLY, JOHN (See also "COMMON, WAGGA WAGGA.") :— Leave given on petition to be heard by counsel or attorney before the Select Committee on Wagga Wagga Common, 538	4	695
DOUBLE BAY :— Motion made (<i>Mr. Macintosh</i>) for correspondence, reports, plans, &c., from 1830 to date, in reference to purchase or exchange for other land of the land situate between the Steyne and western boundary of land granted to Captain Piper, abutting on Marine Parade, 172 ; Return to Order, laid on Table, 425	4	921
DRAINING FLOODED LANDS, MACLEAY RIVER :— Motion made (<i>Mr. R. B. Smith</i>) for petitions, letters, surveys, reports, &c., having reference to, 192.		
DREDGE (See "HARBOURS AND RIVERS"; also "SAMSON.")		
DRIVER, RICHARD, ESQUIRE :— Appointment of, as Deputy Chairman of Committees, 12.		
DRUNKARDS PUNISHMENT ACT AMENDMENT BILL :— Motion made (<i>Mr. Jacob</i>) for leave to bring in, 31; presented and read 1 ^o , 31; read 2 ^o , committed, reported with Amendments, Report adopted, 61; read 3 ^o , passed, and sent to Council, 77.		
DUBBO MECHANICS INSTITUTE TRUSTEES BILL :— Petition presented (<i>Mr. Pilcher</i>) for leave to bring in, 250; leave given, presented, and read 1 ^o , 254; referred to Select Committee, 265.		
DUNCAN, MR. W. A. :— Motion made (<i>Mr. W. C. Browne</i>) for copies of correspondence, &c., having reference to leave of absence of, and the appointment of an Acting Collector, 337; Return to Order, laid on Table, 458	3	513
DUNSHEE, MR. TIDE-WAITER :— Motion made (<i>Mr. McElhone</i>) for correspondence respecting alleged outrage on, 458. Motion made (<i>Mr. McElhone</i>) for copies of letters, correspondence, &c., in reference to applications for appointments of, or by, 482; Return to Order, laid on Table, 603	3	537
Motion made (<i>Mr. McElhone</i>) for copies of letters, minutes, or memorandums respecting general conduct of, 531.		
DUPLICATION OF CABLE (See "TELEGRAPH.")		
DUTY ON GOLD ABOLITION BILL :— Motion made (<i>Mr. Baker</i>) for leave to bring in, 6; leave again given, 430; presented and read 1 ^o , 431; House counted out on Mr. Baker proceeding to move 2 ^o , 610; read 2 ^o , committed, reported with an Amendment, and Report adopted, 626; read 3 ^o , and sent to Council, 631; returned without Amendment, 640; Assent reported, 643.		
E		
EAST MAITLAND (See "ELECTORAL, also BY-LAWS.")		
EAST MACQUARIE :— Resignation of W. H. Suttor, Esq., for Electorate of, 661.		
EDUCATION :—		
PUBLIC SCHOOLS :— Return to Order (<i>Session 1877-8</i>), laid on Table, 51		699
Report for 1878, laid on Table, 497		629
DENOMINATIONAL SCHOOLS :— Report for 1878, laid on Table, 497		687
SYDNEY GRAMMAR SCHOOL :— Report for 1877, laid on Table, 94		847
HIGH SCHOOL FOR GIRLS :— Motion made (<i>Mr. Windeyer</i>) for Committee of the Whole to consider expediency of Government taking necessary steps for establishment and partial endowment of, in Sydney, 184; Order of the Day postponed, 216, 221; House in Committee, and Resolution agreed to, 260.		
NEWCASTLE SCHOOL BOARD :— Motion made (<i>Captain Onslow</i>) for all correspondence between the Council, the Newcastle School Board, and any other person, respecting the appointment of additional members to, 251; Return to Order, laid on Table, 383		725
COUNCIL OF :— Return showing the attendances of members of, at meetings in 1877 and 1878, laid on Table, 268.	3	695
SITE FOR PUBLIC SCHOOL, MOLONG :— Motion made (<i>Mr. Macintosh</i>) for all correspondence, &c., in reference to purchase of or exchange of, 288; Return to Order, laid on Table, 596		755
PUBLIC SCHOOLS AT BALMAIN :— Motion made (<i>Mr. Fitzpatrick</i>) for copies of correspondence between the Council of Education and the local trustees, touching the want of accommodation, 315; Return to Order, laid on Table, 628		769
PUBLIC :— Motion made (<i>Dr. Bowker</i>) that the Government should bring in a Bill for placing Educational matters in the hands of a responsible Minister, and Debate interrupted by intervention of Government Business, 315; Order of the Day postponed, 328, 389, 535, 593.		
ALLOWANCE FOR HOUSE RENT TO DENOMINATIONAL SCHOOL TEACHERS :— Motion made (<i>Mr. Greenwood</i>) for correspondence between Teachers and the Council of Education, having reference to, 444; Return to Order, laid on Table, 520		747
CHURCH AND SCHOOL ESTATES :— Statement showing distribution of revenue of, for 1877, on account of, laid on Table, 526		745
AMENDED ESTIMATE FOR PUBLIC INSTRUCTION :— Message No. 26 and Amended Estimate, in reference to, laid on Table, 564	2	553
RESIDENCES FOR TEACHERS OF DENOMINATIONAL SCHOOLS :— Return respecting, laid on Table, 568	3	751
HOUSE RENT TO DENOMINATIONAL SCHOOL TEACHERS :— Motion made (<i>Mr. Stuart</i>) for allowances for, and Debate interrupted by Government Business, 632.		
TRAVELLING EXPENSES OF CERTAIN TEACHERS :— Return respecting, laid on Table, 666	3	753

REFERENCES TO THE VOTES AND PROCEEDINGS, VOL I—SESSION 1878-9.	PAPERS.	
	VOL.	PAGE.
E		
EDWARDS, MR. H. T. (See "ADMINISTRATION OF JUSTICE.")		
ELECTORAL (See also "ELECTIONS AND QUALIFICATIONS COMMITTEE") :—		
EAST MAITLAND :—		
Speaker informs House of issue and return of Writ for election of Member in room of Stephen Scholey, deceased, endorsed with election of H. S. Badgery, Esquire, 1; H. S. Badgery, Esquire, sworn, 1.		
ROLL :—		
Return showing the number of Electors on, of each Electoral District for 1878-9, laid on Table, 51	3	883
Do. do. entitled to vote in the several Gold Fields Electoral Districts for 1878-9, laid on Table, 51.....	3	885
MUDGE :—		
Resignation of Sir John Robertson as Member for, reported, and Seat declared vacant, 207; issue and return of Writ reported, 219; Mr. Rouse sworn as Member, 254.		
Mr. Speaker laid upon the Table Election Petition addressed to him, from William Wilton and others, electors, objecting and protesting against the election of Richard Rouse, Esquire, as Member for said Electoral District, on four different grounds, and praying that the return of R. Rouse may be declared null and void, and that David Buchanan may be declared duly elected, and referred to Committee of Elections and Qualifications, 263; Report brought up and read by Clerk, 353.....	2	29
CANTERBURY :—		
Acceptance of office as Colonial Secretary and Premier by Sir Henry Parkes announced, 215; resignation reported, and Seat declared vacant, 217; issue and return of Writ reported, and Member sworn, 219.		
THE LACHLAN :—		
Acceptance of office as Colonial Treasurer by Mr. Watson announced, 215; resignation reported, and Seat declared vacant, 217; issue and return of Writ reported, and Member sworn, 219.		
THE TUMUT :—		
Acceptance of office of Secretary for Lands by Mr. Hoskins announced, 215; resignation reported, and Seat declared vacant, 217; issue and return of Writ reported, and Member sworn, 219.		
BATHURST :—		
Acceptance of office as Minister of Justice and Public Instruction by Mr. F. B. Suttor announced, 215; resignation reported, and Seat declared vacant, 217; issue and return of Writ reported, and Member sworn, 219.		
CENTRAL CUMBERLAND :—		
Acceptance of office as Secretary for Public Works by Mr. Lackey announced, 215; resignation reported, and Seat declared vacant, 217; issue and return of Writ reported, and Member sworn, 219.		
GOLD FIELDS SOUTH :—		
Acceptance of office as Minister for Mines by Mr. Baker announced, 215; resignation reported, and Seat declared vacant, 217; issue and return of Writ reported, and Member sworn, 219.		
THE UNIVERSITY :—		
Acceptance of office of Attorney General by Mr. Windeyer announced, 215; resignation reported, and Seat declared vacant, 217; issue and return of Writ reported, and Member sworn, 219.		
THE GWYDIR :—		
Motion made (<i>Mr. Dangar</i>) for all correspondence relative to construction and maintenance of public tanks in, 245.		
EAST MACQUARIE :—		
Resignation of W. H. Suttor, 661.		
ELECTIONS AND QUALIFICATIONS COMMITTEE :—		
Speaker's Warrant appointing, laid on Table, 6, 220; maturity of, reported, 25, 239; Members sworn 27, 31, 47, 51, 239, 240; first meeting appointed, 188; Speaker reported that no Member had attended a meeting called for, and no provision being made in the Act for the case, appointed time and place of next meeting, 239, 240; leave given to adjourn for a longer period than seven days, 211.		
SEAT OF EDWARD COMBES, ESQUIRE, MEMBER FOR ORANGE.		
Motion made (<i>Mr. McElhone</i>) that question whether Mr. Combes has accepted an office of profit under the Crown, within the spirit and meaning of the Constitution Act, be referred to, 185; Report brought up, read by Clerk, and Seat declared vacant by House, 265; Mr. Kerr elected, 325; sworn, 329; Letter from Mr. Combes respecting Seat read by Clerk, 471.....		5
ELECTION PETITION, MUDGE :—		
Mr. Speaker laid on Table, from William Wilton and others, electors, objecting and protesting against the election of Richard Rouse, Esq., as Member, on four different grounds, and praying Richard Rouse's election may be declared null and void, and that David Buchanan be declared duly elected, and referred to Committee, 263; Report brought up, read by Clerk, and Seat given to Mr. Buchanan, 353.....		29
SEAT OF MICHAEL FITZPATRICK, ESQUIRE, MEMBER FOR YASS PLAINS.		
Motion made (<i>Mr. Garrett</i>) to refer question as to whether Mr. Fitzpatrick was legally elected, he being in possession of a pension from the Crown, 354; Report brought up and read by Clerk, 388.....	2	47
SEAT OF JOHN SUTHERLAND, ESQUIRE, MEMBER FOR PADDINGTON.		
Motion made (<i>Mr. McElhone</i>) to refer question as to whether Mr. Sutherland is entitled to retain his Seat, he being partner in a firm having a contract with the Government, 483; Motion amended by substituting the word "Eskbank" for the words "Lithgow Valley," 520; Report brought up and read by Clerk, 568; papers handed in before Committee returned to Auditor General, 646.....		63
ELECTORAL BILL :—		
Motion made (<i>Mr. Fitzpatrick</i>) for Committee of the Whole, 8; House in Committee, Resolution agreed to, 13.		
"ELLORA" (See "IMMIGRATION.")		
EMPLOYÉS (See "RAILWAYS.")		
EMPLOYMENT OF MEMBERS BY THE GOVERNMENT :—		
Motion made (<i>Sir Henry Parkes</i>) to rescind Resolution of 21 December, 1875, which prohibited, and negatived, 404.		
ENDOWMENT OF MUNICIPALITIES (See "MUNICIPALITIES, ENDOWMENT OF.")		
ENGINES (See "RAILWAYS.")		
ENTRANCE TO THE TWEED RIVER :—		
Motion made (<i>Mr. Gray</i>) for Committee of the Whole, that £15,000 be placed on Supplementary Estimates for 1878 for improvement of, and by leave withdrawn, 185.		

REFERENCES TO THE VOTES AND PROCEEDINGS, VOL I—SESSION 1878-9.		PAPERS.	
		VOL.	PAGE.
E			
EQUITY BILL (See "THE EQUITY BILL.")			
ESTATE OF THE LATE ROBERT HANCOCK (See "HANCOCK, ROBERT.")			
ESTIMATES :—			
Message No. 11, transmitting, for 1879, and Supplementary for 1878 and previous years (<i>Mr. Cohen</i>), laid on Table, 114			121
For 1879, and Supplementary for 1878 and previous years (<i>Mr. Cohen</i>), laid on Table, 114			123, 253
Schedule to Estimates-in-Chief (<i>Mr. Cohen</i>), showing total remuneration received by Public Officers who hold more than one office, or have any special allowance, quarters, &c., laid on Table, 114			265
Do. (<i>Mr. Watson</i>), do. 260			481
Of Ways and Means for 1879 (<i>Mr. Cohen</i>), laid on Table, 129			603
Do. (<i>Mr. Watson</i>), do 269			731
Do. Explanatory Statement, laid on Table, 129, 269			719, 873
Message No. 23, transmitting Further Supplementary for 1878 (<i>Mr. Cohen</i>), laid on Table, 185			327
Further Supplementary for 1878 (<i>Mr. Cohen</i>), laid on Table, 185			328
Message No. 34, requesting return of, for 1878-9, with a view to substitution of others, taken into consideration, read by Clerk, and Address to Governor, returning Estimates which accompanied Message No. 11, agreed to, 259			329
Message No. 35, transmitting, for 1879, and Supplementary for 1878 and previous years (<i>Mr. Watson</i>), laid on Table, 259			331
For 1879, and Supplementary for 1878 and previous years (<i>Mr. Watson</i>), laid on Table, 259			333, 469
Message No. 37, transmitting Estimate of Expenditure on account of Public Works and other Services proposed to be defrayed out of the Accumulated Surplus on the Consolidated Revenue Fund, laid on Table 268			547
On account of Public Works and other Services, proposed to be defrayed out of the Accumulated Surplus on the Consolidated Revenue Fund, laid on Table, 268			549
Return showing amounts previously voted for works mentioned on pages 108 to 112, on for 1879, laid on Table, 434	2		1197
Message No. 26, requesting Return of, for Public Instruction, and substituting other, laid on Table, 564			553
Amended, for Public Instruction, laid on Table, 564			554
Message No. 31, transmitting Additional, for 1879, and Further Supplementary for 1878 and previous years, laid on Table, 588			555
Additional for 1879, and Further Supplementary for 1878 and previous years, laid on Table, 588			557, 567
Message No. 32, transmitting Further, on account of Public Works and other Services proposed to be defrayed out of the Accumulated Surplus on the Consolidated Revenue Fund, laid on Table, 589			573
Further, on account of Public Works and other Services proposed to be defrayed out of the Accumulated Surplus on the Consolidated Revenue Fund, laid on Table, 589			575
Message No. 37, transmitting Further, for 1879, laid on Table, 612			579
Further, for 1879, laid on Table, 612			581
Message No. 38, transmitting Further, on account of Public Services proposed to be defrayed out of Accumulated Surplus on Consolidated Revenue Fund, laid on Table, 617			585
Further, on account of Public Services proposed to be defrayed out of Accumulated Surplus on Consolidated Revenue Fund, laid on Table, 617			587
Message No. 42, transmitting Loan, for 1879, laid on Table, 636			591
Loan, for 1879, laid on Table, 636			593
Message No. 43, transmitting Additional Loan for 1879, laid on Table, 640			597
Additional Loan for 1879, laid on Table, 640			599
Prepared by the Colonial Architect. Motion made (<i>Mr. Cameron</i>) for Return showing number of, and for which further sums have had to be voted, 592.			
EVIDENCE (See "BANKERS BOOKS EVIDENCE BILL.")			
EXHIBITION (See "INTERNATIONAL EXHIBITION.")			
EXHIBITION BILL (See "SYDNEY INTERNATIONAL EXHIBITION BILL.")			
EXHIBITS :—			
Laid on Table :—			
Samples of coral as, 94.			
Plans, sections, books of reference, railway extension Junece to Narrandera, 160.			
Plans showing proposed improvements to Circular Quay, 618.			
EXPLANATORY ABSTRACTS (See "FINANCE.")			
EXPLANATORY STATEMENT (See "ESTIMATES.")			
EXTENSION OF THE RAILWAY INTO THE CITY (See "METROPOLITAN RAILWAY EXTENSION BILL.")			
F			
FARES (See "RAILWAYS.")			
FEES (See "DISTRICT COURTS ACT OF 1858.")			
FELONS APPREHENSION BILL :—			
Standing Orders suspended, motion made (<i>Sir Henry Parkes</i>) for leave to bring in, presented and read 1 ^o , read 2 ^o (<i>on Division</i>), committed, reported with Amendments, Report adopted, read 3 ^o , passed and sent to Council, 293; returned by Council with Amendments, 303; Order of the Day postponed, 304; Council's Amendments agreed to, amended, new Clause proposed, and Report adopted, 306; Message to Council, 306; Message from Council agreeing to Amendments and consequential new Clause, but amending new Clause, 307; Amendment agreed to, and Message to Council, 307; Assent reported, 318.			
FELONS APPREHENSION ACT AMENDMENT BILL :—			
Received from Council and read 1 ^o , 343; read 2 ^o , 358; committed, reported without Amendment, and Report adopted, 359; read 3 ^o , and returned to Council, 365; Assent reported, 395.			
FERRY DUES AND TOLLS :—			
Motion made (<i>Mr. Lackey</i>) for rescission of Resolutions of 1 May and 17 July, 1877, abolishing, 618; previous Question moved, and resolved in the affirmative, 618.			

REFERENCES TO THE VOTES AND PROCEEDINGS, VOL. I—SESSION 1878-9.		PAPERS.	
		VOL.	PAGE.
F			
FINANCE (See also "CONSOLIDATED REVENUE FUND BILL"; also "APPROPRIATION BILL"; also "PUBLIC WORKS LOAN BILL") :—			
SUPPLY :—			
Sessional Order passed, 7.			
Motion made (<i>Mr. Cohen</i>) for House to go into Committee, 122.			
Do. (<i>Sir Henry Parkes</i>) do. 225.			
House in Committee, 129, 204, 216, 225, 268, 302, 316, 333, 366, 376, 380, 383, 394, 418, 422, 435, 445, 450, 523, 526, 531, 542, 559, 570, 582, 584, 589, 597, 600, 603, 604, 610, 613, 618, 640 (?)			
Resolutions reported, 129, 204, 216, 225, 268, 302, 384, 450, 542, 603, 618, 640.			
Resolutions agreed to, 129, 204, 216, 225, 268, 302, 384, 450, 542, 603, 625, 647.			
Order of the Day discharged, 666.			
Contingent Motion moved (<i>Mr. W. H. Suttor</i>) respecting railway from Raglan to Mudgee, and negatived, 366.			
Amendment moved (<i>Mr. Buchanan</i>) respecting apprehension of the Kelly gang, and negatived, 418			
Amendment moved (<i>Mr. Buchanan</i>) for Address respecting reprieve of the Hatfield bushrangers, and the criminals Medcalf and Wilkinson, and the execution of Alfred, an aboriginal, and withdrawn, 582; same Amendment moved and agreed to, 584; Return to Address, laid on Table, 618		3	315
Messages from the Governor referred to Committee of, 122, 185, 204, 215, 224, 259, 268, 301, 381, 443, 541, 588, 589, 603.			
Chairman reports no Quorum in Committee, 526, 589, 597.			
WAYS AND MEANS :—			
Sessional Order passed, 7.			
Motion made (<i>Mr. Cohen</i>) for House to go into Committee, 122.			
Do. (<i>Mr. Watson</i>) do. 226.			
Do. (<i>do.</i>) do., and by leave withdrawn, 305.			
House in Committee, 129, 147, 150, 161, 216, 226, 269, 293, 302, 304, 306, 307, 316, 384, 450, 542, 603, 625, 647.			
Resolutions reported, 161, 216, 226, 302, 316, 384, 450, 543, 603, 625, 647.			
Resolutions agreed to, 161, 216, 226, 302, 316, 384, 450, 543, 603, 625, 647.			
Estimates of, for 1879 (<i>Mr. Cohen</i>), laid on Table, 129			603
Do. (<i>Mr. Watson</i>), do. 269			731
Explanatory Statement of the Public Accounts as embodied in, laid on Table, 129, 269			719, 873
Order of the Day discharged, 666.			
ESTIMATES :—			
Message No. 11, transmitting, for 1879, and Supplementary, for 1878 and previous years (<i>Mr. Cohen</i>), laid on Table, 114			121
For 1879, and Supplementary for 1878 and previous years (<i>Mr. Cohen</i>), laid on Table, 114			123, 253
Schedule to Estimates-in-Chief (<i>Mr. Cohen</i>) showing the total remuneration received by Public Officers who hold more than one office or have special allowances, laid on Table, 114			265
Message No. 23, transmitting further Supplementary for 1878 (<i>Mr. Cohen</i>), laid on Table, 185			327
Further Supplementary for 1878 (<i>Mr. Cohen</i>), laid on Table, 185			328
Message No. 34, requesting Return of Estimates transmitted by Message No. 11, laid on Table, 259; taken into consideration, read by Clerk, and Address returning Estimates agreed to, 259			329
Message No. 35, transmitting, for 1879, and Supplementary for 1878 and previous years (<i>Mr. Watson</i>), laid on Table, 259			331
For 1879, and Supplementary for 1878 and previous years (<i>Mr. Watson</i>), laid on Table, 259			333, 469
Schedule to Estimates-in-Chief (<i>Mr. Watson</i>) showing the total remuneration received by Public Officers, who hold more than one office or have special allowances, laid on Table, 260			481
Of Ways and Means for 1879 (<i>Mr. Cohen</i>), laid on Table, 129			603
Do. (<i>Mr. Watson</i>) do. 269			731
Do. Explanatory Statement of Public Accounts as embodied in, laid on Table, 129, 269			719, 873
Message No. 31, transmitting Additional, for the year 1879, and Further Supplementary, for 1878 and previous years, laid on Table, 588			555
Additional, for 1879, and Further Supplementary, for 1878 and previous years, laid on Table, 588			557, 567
Message No. 37, transmitting on account of Public Works and other Services proposed to be defrayed out of the Accumulated Surplus on the Consolidated Revenue Fund, laid on Table, 268		2	573
On account of Public Works and other Services proposed to be defrayed out of Accumulated Surplus on the Consolidated Revenue Fund, laid on Table, 268			575
Message No. 32, transmitting Further, on account of Public Works and other Services proposed to be defrayed out of the Accumulated Surplus on the Consolidated Revenue Fund, laid on Table, 589			547
Further, on account of Public Works and other Services proposed to be defrayed out of the Accumulated Surplus on the Consolidated Revenue Fund, laid on Table, 589			549
Message No. 37, transmitting Further for 1879, laid on Table, 612			579
Further Estimate for 1879, laid on Table, 612			581
Message No. 38, transmitting Further, on account of Public Services proposed to be defrayed out of Accumulated Surplus on Consolidated Revenue Fund, laid on Table, 617			585
Further, on account of Public Services proposed to be defrayed out of the Accumulated Surplus on Consolidated Revenue Fund, laid on Table, 617			587
Message No. 42, transmitting Loan for 1879, laid on Table, 636			591
Loan for 1879, laid on Table, 636			593
Message No. 43, transmitting Additional Loan for 1879, laid on Table, 640			597
Additional Loan for 1879, laid on Table, 640			599
Return showing amounts previously voted for works mentioned on pages 108 to 112 on, for 1879, laid on Table, 434			1197
ESTIMATE FOR PUBLIC INSTRUCTION :—			
Message No. 26, requesting return of, and substituting other, laid on Table, 564			553
Amended, laid on Table, 564			554
AGREEMENT WITH THE BANK OF NEW SOUTH WALES :—			
Correspondence respecting renewal of, with the Government, laid on Table, 603			1183

REFERENCES TO THE VOTES AND PROCEEDINGS, VOL. I.—SESSION 1878-9.		PAPERS.	
		VOL.	PAGE.
F			
FINANCE (continued) :—			
VOTE OF CREDIT :—			
Message No. 24, for Services for 1878 and 1879, laid on Table, 204			1201
Do. 25, do. do., 215			1203
Do. 27, for January, laid on Table, 224			1205
Do. 38, for February, do., 301			1207
Do. 7, for March, do., 381			1209
Do. 12, for April, do., 443			1211
Do. 21, for May, do., 541			1213
Do. 33, for June, do., 603			1215
APPLICATION OF BALANCE :—			
Minute of the Governor and Executive Council, authorizing transfer from one Head of Service to another, laid on Table by Mr. Speaker, 185, 254			1185, 1187
BANK LIABILITIES AND ASSETS :—			
General Abstract of, for Quarter ended 30 June, 1878, laid on Table, 2	2		1193
Do. do. 30 September, 1878, laid on Table, 156			1195
SAVINGS BANKS :—			
Return respecting the Savings Bank of New South Wales, laid on Table, 128			1189
Statement of Accounts of Government, 1st January to 31st December, 1878, laid on Table, 379			1191
PUBLIC ACCOUNTS :—			
Abstracts of, for 1877, with Auditor General's Report thereon, laid on Table by Speaker, 5			885
Do. 1878, do. do. 645			1017
Explanatory Statement of, as embodied in the Ways and Means for 1878, laid on Table, 129, 269			719, 873
Report of the Board of Audit on, laid on Table, 220			1163
EXPLANATORY ABSTRACTS :—			
Of sums estimated and voted			1217
FINANCIAL STATEMENT :—			
House in Committee of Ways and Means to enable Colonial Treasurer (<i>Mr. Cohen</i>) to make, 129			
Do. do. do. (<i>Mr. Watson</i>) do., 269			
FISHING, NET :—			
Motion made (<i>Mr. Hurley, Hartley</i>) for leave to bring in Bill to prevent, 288			
Petition from Residents, in favour of, in Lake Macquarie, presented, 411	7		965
FISHERIES (See "OYSTER FISHERIES.")			
FITZGERALD, CLAIM OF MESSRS. KELLEHER AND (See "POLICE.")			
FITZPATRICK, MICHAEL, ESQUIRE :—			
Retention of Seat by, referred to Committee of Elections and Qualifications, 354 ; Report brought up, and read by Clerk, 388	2		47
FITZ ROY DOCK :—			
Statement showing the value of establishment, laid on Table, 444			
FLOOD, DAMAGE BY, TO PROPERTY IN DARLING HARBOUR :—			
Motion made (<i>Mr. Macintosh</i>) for all Petitions, correspondence, &c., having reference to, on premises belonging to Messrs. Biddell, Zollner, and others, 265 ; Return to Order, laid on Table, 568	4		963
FLOODED LANDS (See "MACLEAY RIVER.")			
FOOD (See "ADULTERATION OF FOOD PREVENTION BILL.")			
FORAN, THOMAS (See "RESERVES.")			
FORMAL BUSINESS :—			
Sessional Order passed, 7			
FOREIGN CRIMINALS INFLUX PREVENTION BILL :—			
Motion made (<i>Sir Henry Parkes</i>) for Committee of the Whole, 566 ; House in Committee, and Resolution agreed to, 570 ; presented and read 1 ^o , 570 ; Order of the Day postponed, 583 ; read 2 ^o , and committed, 636 ; Chairman reported no Quorum in Committee, 637 (2) ; progress reported, 637			
FORMS OF CROWN GRANTS :—			
Motion made (<i>Mr. Copeland</i>) for a copy of those issued since the passing of the "Crown Lands Alienation Act of 1861," 523 ; Return to Order, laid on Table, 541	4		423
FRANKING PARLIAMENTARY CORRESPONDENCE (See "PARLIAMENT.")			
FREE PUBLIC LIBRARY (See "PUBLIC LIBRARY," also "BY-LAWS.")			
FURTHER ESTIMATES (See "ESTIMATES.")			
FURTHER SUPPLEMENTARY ESTIMATES (See "ESTIMATES.")			
FUSEL OIL :—			
Return of White Spirits, Spirits of Wine, and, taken out of Bond, laid on Table, 228	2		1243
G			
GAME BILL (See "ANIMALS PROTECTION BILL.")			
GAOLS (See also "PRISONS ;" also "ADMINISTRATION OF JUSTICE") :—			
DARLINGHURST :—			
Motion made (<i>Mr. Hurley, Hartley</i>) that instructions be issued that the Rotunda in, be opened on Saturdays for Lectures, and negatived, 17			
Motion made (<i>Mr. Shepherd</i>) for copies of all letters, reports, documents, &c., having reference to Lectures on Temperance in, and by leave withdrawn, 68			
Correspondence respecting Lectures in, laid on Table, 188	3		1395
ACCOMMODATION FOR THE INSANE :—			
Correspondence respecting treatment of, and Special, in Country Lock-ups and Gaols, laid on Table, 74	3		925
BERRIMA :—			
Report of Royal Commission appointed to inquire into and report upon management of, with Minutes of Evidence and Appendices, laid on Table, 181	3		1033
Motion made (<i>Mr. Garrett</i>) for correspondence and applications having reference to the appointment of a Presbyterian Chaplain, 655			
PARRAMATTA :—			
Report on Food supplied to, laid on Table, 482	7		673
GARDEN PALACE (See "INTERNATIONAL EXHIBITION.")			

REFERENCES TO THE VOTES AND PROCEEDINGS, VOL. I.—SESSION 1878-9.	PAPERS.	
	VOL.	PAGE.
G		
GARDNER, JAMES :—		
Petition from, respecting Wentworth Wharf, presented, 348	4	999
Motion made (<i>Mr. Macintosh</i>) for correspondence, &c., having reference to alleged loss sustained by, at Wentworth Wharf, 397; Return to Order, laid on Table, 492	4	1001
GARSED, MR. JOHN (See also "LANDS.") :—		
Motion made (<i>Mr. Hurley, Hartley</i>) for reappointment of Select Committee, to inquire into case instituted against, and that progress Report of last Session be referred, negatived on Division, 90.		
Motion made (<i>Mr. Hurley, Hartley</i>) for letter addressed to Premier from, and any other letters having reference to that letter, 177.		
Copies of letters from, addressed to the Honorable J. S. Farnell, laid on Table, 417	3	283
GENERAL BUSINESS :—		
Sessional Order as to precedence of, passed, 7.		
Interrupted by Government Business on Tuesday, 315, 332, 354, 418, 484, 497, 523, 539, 550, 632.		
GILMOUR, BEARD, AND SMITH :—		
Motion made (<i>Mr. Coonan</i>) for copies of tenders, letters, &c., having reference to applications of, for new country in the district of Wellington, 411.		
GIRLS (See "EDUCATION.")		
GLASS, MR. JAMES :—		
Motion made (<i>Mr. Bennett</i>) for Select Committee to inquire into claims of, to land at Miller's Creek, and withdrawn, 550.		
Motion made (<i>Mr. Bennett</i>) for copies of papers, letters, &c., with reference to purchase of certain land by, 568.		
GLEBE BOROUGH BILL (See "THE GLÈBE BOROUGH BILL.")		
GLEBE ISLAND (See "ABATTOIRS, GLEBE ISLAND.")		
GLEN ALICE POST OFFICE (See "POSTAL.")		
GLEN INNES (See "TELEGRAPH.")		
GLENMORE ROAD (See "ROADS.")		
GOLD (See also "DUTY ON GOLD ABOLITION BILL"; also "RUDDER, MR. E. W.")		
VOTE IN AID OF PROSPECTING FOR :—		
Regulations relating to, laid on Table, 2	4	737
BARRINGTON, FIELD :—		
Return of applications for mining leases on, since January, 1878, giving particulars, laid on Table, 171	4	725
Motion made (<i>Mr. Copeland</i>) for papers in connection with report of discovery of, and reward for, 394; Return to Order, laid on Table, 458	4	729
Motion made (<i>Mr. Copeland</i>) for Committee of the Whole for sum to be placed on Estimates for reward for discovery of, 463; Order of the Day postponed, 493; Order of the Day discharged, 535.		
ELECTORS ON FIELDS :—		
Return showing number of, laid on Table, 51.	3	885
REWARDS FOR THE DISCOVERY OF A PAYABLE FIELD IN THE ALBERT DISTRICT :—		
Motion made (<i>Mr. Copeland</i>) for Committee of the Whole that £5,000 be placed on Estimates for providing, under certain conditions, &c., and by leave withdrawn, 265.		
CONDITIONAL PURCHASES ON FIELDS :—		
Return to Order (<i>Session 1877-8</i>), laid on Table, 375	4	233
MINING LEASES :—		
Motion made (<i>Mr. Copeland</i>) to amend regulations, and House counted out, 412; motion again made and negatived, 432.		
Motion made (<i>Mr. Beyers</i>) respecting regulation to reduce the maximum area, and Debate interrupted by Government business, 550; Debate resumed, and Motion negatived, 592.		
PROSPECTING FOR :—		
Return showing expenditure on account of, laid on Table, 515.		
EXPORT DUTY ON :—		
Petition from Barrington Gold Field in favour of abolition of, presented, and read by Clerk, 581		739
Petition from Adelong Gold Field presented, 581		739
Petition from Peel River Gold Field presented, 581	4	739
Petition from Gold Miners, Hill End, presented, 596		741
Petition from Rocky River Gold Field presented, 613		743
Petition from Araluen Gold Field presented, 613		743
GOLD FIELDS SOUTH (See "ELECTORAL.")		
GOODCHAP, C. A. :—		
Motion Made (<i>Mr. McElhone</i>) for copies of correspondence having reference to conditional purchase of, at Springwood, 331; Return to Order, laid on Table, 581	4	283
GOULBURN (See "ROADS"; also "CITY OF GOULBURN GAS AND COKE COMPANY'S INCORPORATION BILL," also "RAILWAYS.")		
GOVERNMENT :—		
BUSINESS :—		
Sessional Order as to precedence of, 7.		
Sessional Order relating to precedence of, on Tuesday after 7 o'clock, 289.		
Interruption of General Business by, on Tuesday, 315, 332, 354, 418, 484, 497, 523, 539, 550, 632.		
SAVINGS BANK :—		
Return respecting, laid on Table, 129	2	1189
Statement of Accounts of, from 1st January to 31st December, 1878, laid on Table, 379	2	1191
ASYLUMS FOR INFIRM AND DESTITUTE :—		
Report from Manager of, relative to expenditure for 1877, laid on Table, 2	3	969
ADVERTISEMENTS :—		
Information respecting present system with regard to the insertion of, in newspapers, laid on Table, 164	7	953
Motion made (<i>Mr. Bowman</i>) for all correspondence respecting, for land sales, in <i>Town and Country Journal</i> , and <i>Sydney Mail</i> , 184.		
PRINTING OFFICE :—		
Correspondence relating to the printing and publication of "The Australian Dictionary of Dates and Men of the Time" at, laid on Table, 454, 603, 640	7	905, 909, 917
Motion made (<i>Mr. McElhone</i>) respecting printing of book for Mr. Heaton, and Debate interrupted by Government business, 484; Debate resumed, Previous Question moved and withdrawn, and question amended, 492.		

REFERENCES TO THE VOTES AND PROCEEDINGS, VOL. I.—SESSION 1878-9.	PAPERS.	
	VOL.	PAGE.
G		
GOVERNMENT (<i>continued</i>):—		
CONTRACTS, PAMPHLET COPY OF:—		
Motion made (<i>Mr. McElhone</i>) for 1877, 1878, and 1879, 365; Return to Order, laid on Table, 486	7	729
CONTRACTORS FOR THE SUPPLY OF GENERAL STORES:—		
Return showing names of, during 1876, 1877, and 1878, laid on Table, 375	7	791
MR. JAMES KIDMAN:—		
Correspondence respecting quality and quantity of supplies by, laid on Table, 375	7	761
INSTITUTIONS:—		
Motion made (<i>Mr. W. Davies</i>) for copies of successful tender for supply of articles to, 371.		
Motion made (<i>Mr. McElhone</i>) for particulars of quantities of supplies to, 431.		
OFFICERS AS MEMBERS OF COMMISSIONS OR BOARDS OF INQUIRY:—		
Motion made (<i>Mr. McElhone</i>) respecting payment of fees to, when the meetings are held during office hours, 565.		
STORES DEPARTMENT:—		
Report of Board appointed to inquire into charges preferred by Mr. J. F. Nash against (Part 1), laid on Table, 576	3	395
GOVERNOR (See also "MESSAGES"):—		
Message from, delivered by Usher of the Black Rod, 1.		
Opening Speech of, 2. Address in reply, 3. Reply to Address in reply, 5.		
Prorogation Speech of, delivered, 667.		
Valedictory Address to Sir Hercules Robinson, 342. Presentation of Address, and Reply read by Speaker, 357.		
Message No. 1, from Lieutenant-Governor, informing Assembly of assumption of the Government by, 361	2	1
GOVERNOR'S SIGNATURE BILL:—		
Motion made (<i>Captain Onslow</i>) for leave to bring in, 444; presented and read 1°, 462; Motion made for 2°, and House counted out, 520.		
GOVERNOR'S SIGNATURE BILL (No. 2):—		
Motion made (<i>Captain Onslow</i>) for leave to bring in, 565; presented and read 1°, 568; Motion being made for 2°, and House counted out, 629.		
GRAFTON (See "TELEGRAPH," also "BY-LAWS.")		
GRAMMAR SCHOOL (See "SYDNEY GRAMMAR SCHOOL.")		
GRANTS, OLD, OF LAND, CONTAINING SPECIAL RESERVATIONS:—		
Papers respecting, laid on Table, 609	4	485
GRANT OF THE AUSTRALIAN AGRICULTURAL COMPANY:—		
Motion made (<i>Mr. Copeland</i>) for copy of original Crown Grant of, 398.		
GRANTS OF LAND HELD BY SIR DANIEL COOPER:—		
Motion made (<i>Mr. McElhone</i>) for copies of deeds of, 393. Return (<i>in part</i>) to Order, laid on Table, 650	4	455
Motion made (<i>Mr. McElhone</i>) for re-survey of, and withdrawn on Mr. Speaker ruling that motion involved a charge on the Consolidated Revenue, 393, 394.		
GRAPE VINES AND GRAPES IMPORTATION PROHIBITION BILL:—		
Motion made (<i>Mr. Farnell</i>) for leave to bring in, 8; presented and read 1°, 9; Order of the Day postponed, 27; read 2°, committed, reported with Amendments, and Report adopted, 37; read 3°, passed, and sent to Council, 40; returned without Amendment, 100; Assent reported, 128.		
GREENWOOD, JAMES, ESQUIRE, M.P.:—		
Challenges Votes on the third reading of the Lands Acts Further Amendment Bill, 569.		
GREVILLE, MR. HENRY JAMES:—		
Motion made (<i>Mr. McElhone</i>) for correspondence, minutes, &c., in reference to a deficiency in the moneys received by, 444. Return to Order, laid on Table, 549	3	523
GRIFFIN, P. AND M. (See "ADMINISTRATION OF JUSTICE.")		
GRIMLY, PETER (See "MINERAL AND MINING.")		
GULF CREEK (See "LANDS.")		
GUMLY GUMLY COMMON:—		
Petition from householders, praying that it may be declared a public reserve, presented, 318	4	697
GWYDIR, THE (See "ELECTORAL.")		
H		
HACKETT AND ARMSTRONG, MESSRS.:—		
Petition from, that they purchased the right, title, and interest in and to certain land, parish of Merran, county of Wakool, and that such purchases have been declared void; presented, 105; Ordered to be printed, 110	4	535
HAMILTON (See "BY-LAWS.")		
HANCOCK, ROBERT:—		
Letter from the Curator of Intestate Estates, respecting the estate of the late, laid on Table, 425		
Motion made (<i>Mr. McElhone</i>) respecting the receipt of sum out of estate of, by Mr. Slattery, Curator of Intestate Estates, 565.	3	351
HANSARD:—		
Correspondence respecting proposed establishment of Official Report of Proceedings and Debates in Parliament, laid on Table, 36	2	97
HARBOURS AND RIVERS:—		
Memorandum of Engineer-in-Chief, respecting a Petition from crews of dredge "Newcastle" and tender "Ajax," for an increase of pay, laid on Table, 152	4	1009
HARPER, MR. NEIL, J.P. (See "ADMINISTRATION OF JUSTICE.")		
HARRINGTON, MISS (See "CROWN LANDS.")		
"HAWKESBURY" (See "IMMIGRATION.")		
HAY (See "RAILWAYS," also "BY-LAWS.")		
HEATON, MR. (See "MEN OF THE TIME AND AUSTRALIAN DICTIONARY OF DATES.")		
"HEREFORD" (See "IMMIGRATION.")		
HIGH SCHOOL FOR GIRLS (See "EDUCATION.")		
HOLDEN'S CONDITIONAL PURCHASES (See "CROWN LANDS.")		
HORDERN AND SONS:—		
Papers respecting seizure of case of perfumed spirits imported by, laid on Table, 603	2	1247

REFERENCES TO THE VOTES AND PROCEEDINGS, VOL. I—SESSION 1878-9.		PAPERS.	
		VOL.	PAGE.
H			
HOSKINS, THE HONORABLE JAMES, ESQUIRE, M.P. :—			
Acceptance of Office as Secretary for Lands announced, 215; Resignation reported, and seat as Member for The Tumut declared vacant, 217; issue and return of Writ reported, and Member sworn, 219.			
HOSPITALS, COLONIAL :—			
Statistical information respecting, laid on Table, 53.....			
HOSPITAL IN MACQUARIE-STREET (See also "SYDNEY INFIRMARY") :—			
Motion made (<i>Mr. Day</i>), respecting Bill before the House, and representation of the Government on the board meetings, and negatived, 467.			
HOUSE, ADMISSION TO THE BODY OF :—			
Motion made (<i>Mr. Farnell</i>), That William McArthur, Esquire, Member for Lambeth, in the Imperial Parliament, now present, be accommodated with a chair on the floor of the House, 164.			
HOUSE-RENT TO DENOMINATIONAL SCHOOL TEACHERS (See "EDUCATION.")			
HUDSON BROTHERS, MESSRS. :—			
Motion made (<i>Mr. Cameron</i>) for Return showing contracts obtained, without tender by, with detailed particulars, from November, 1877, to date, 239; Return to Order, laid on Table, 666.			
Motion made (<i>Mr. McElhone</i>) for Return, showing amount paid to, or other persons, for work done without contract or tender, during the years 1875, 1876, 1877, and 1878, and during the time Mr. Sutherland was Minister for Works, in the Government of Mr. Farnell, 566.			
HYDE PARK :—			
Motion made (<i>Mr. Hurley, Hartley</i>), That Government should take necessary steps to cause the Head Quarters or other Bands to perform two evenings in the week in, 239.			
I			
IMBECILE ASYLUM, NEWCASTLE :—			
Motion made (<i>Mr. McElhone</i>) for correspondence, &c., in reference to the birth of a child at, and no Tellers for the Ayes on division, 660.			
IMMIGRATION (See also "CHINESE.")			
Further Return to Address (<i>Session 1876-7</i>), laid on Table, 2, ship "Erato".....			
Do. (do.), respecting ships "La Hogue" and "Hawkesbury," laid on Table, 81.....			
Do. (do.), respecting ship "Smyrna," laid on Table, 94.....			
Do. (do.), do. "Pericles," do. 171.....			
Do. (do.), do. "La Hogue," do. 207.....			
Do. (do.), do. "Hereford," do. 220.....			
Do. (do.), do. "Northampton," do. 232.....			
Do. (do.), do. "Blair Athole," do. 375.....			
Do. (do.), do. "Clyde," do. 454.....			
Do. (do.), do. "Ellora," do. 482.....			
Do. (do.), do. "Peterborough," do. 564.....			
Do. (do.), do. "Samuel Plimsoll," do. 659.....			
Report from the Agent for, for 1877, laid on Table, 2.....			
Do. 1878, laid on Table, 296.....			
List of Articles supplied by Mr. J. Kidman to ship "Smyrna" while in Quarantine, with prices, laid on Table, 119.....			
Petition from the Working Men's Defence Association, objecting to further expenditure for, presented, 520.....			
Correspondence respecting mismanagement, laid on Table, 545.....			
Report of Agent on Vessels arrived and to arrive, laid on Table, 583.....			
Motion made (<i>Captain Onslow</i>) for correspondence having reference to Captains of ships carrying their wives with them, 655.			
IMPERIAL CIVIL SERVICE :—			
Minutes of the Lords of the Treasury respecting, laid on Table, 645.....			
IMPORTED STOCK ACT OF 1871 :—			
Regulations under, laid on Table, 7, 425.....			
IMPOUNDING ACT AMENDMENT BILL :—			
Motion made (<i>Mr. Jacob</i>) for leave to bring in, 16; presented and read 1 ^o , 17; read 2 ^o , committed, reported without amendment, report adopted, 47; read 3 ^o , passed, and sent Council, 51; returned with amendments, 364; Bill laid aside in consequence of Council inserting new clause which involved a charge upon the Public Revenue, 412.			
IMPOUNDING ACT AMENDMENT BILL (No. 2) :—			
Leave given to bring in on original leave, and read 1 ^o , 420; read 2 ^o , committed, reported with an amendment, and report adopted, 458; read 3 ^o and sent to Council, 462; returned without amendment, 531; assent reported, 542.			
IMPROVEMENTS (See "CROWN LANDS.")			
INFIRM AND DESTITUTE, GOVERNMENT ASYLUMS FOR :—			
Report from Manager of, relative to Expenditure for 1877, laid on Table, 2.....			
INFIRMARY, SYDNEY (See also "SYDNEY INFIRMARY AND DISPENSARY BILL"; also "HOSPITAL IN MACQUARIE-STREET") :—			
Motion made (<i>Mr. Greenwood</i>), That the establishment should be in the highest state of efficiency, and by leave withdrawn, 51.			
Motion made (<i>Mr. Fitzpatrick</i>), That it is expedient that the Directors should have permission to remove the main buildings in Macquarie-street, 74.			
Letter from Dr. Renwick, Vice-President, respecting the disposal of the materials of the old building, laid on Table, 239.....			
Correspondence respecting the refusal to admit Christina Ogilvie into, laid on Table, 562.....			
INQUESTS :—			
Circular Letter to Coroners respecting attendance of Medical Practitioners at, laid on Table, 250.....			
INQUESTS IN THE MAITLAND DISTRICT :—			
Motion made (<i>Mr. Leckford</i>) for correspondence between the Government and Dr. Morson, with reference to holding of, 522; Return to Order, laid on Table, 564.....			
Motion made (<i>Mr. Badgery</i>) for correspondence not already published, 628; Return to Order, laid on Table, 666.....			

REFERENCES TO THE VOTES AND PROCEEDINGS, VOL. I—SESSION 1878-9.	PAPERS.	
	VOL.	PAGE.
I		
INSANE :—		
Report from Inspector of, for 1877, laid on Table, 57	3	889
Correspondence respecting the treatment of, and special accommodation for the, in country lock-ups and gaols, laid on Table, 74	3	925
Report on Parramatta Lunatic Asylum, laid on Table, 220	3	907
Do. do. for 1878, laid on Table, 310	3	917
Report on food supplied to, and Gaol, Parramatta, laid on Table, 482	7	673
Memorial of Attendants regarding evidence given as to the quality of food supplied, laid on Table, 555	3	923
INSOLVENCY, SEQUESTERED ESTATES :—		
Return to Address (<i>Session 1877-8</i>) laid on Table, 128	3	251
INSOLVENT COURT, MR. BOOTY, BAILIFF IN :—		
Motion made (<i>Mr. McElhone</i>) for Return, showing particulars of fees charged and received by, 535 ; Return to Order, laid on Table, 640	7	883
INSPECTOR OF LAND OFFICES (See "CIVIL SERVICE.")		
INSPECTORS OF CONDITIONAL PURCHASES (See "CIVIL SERVICE.")		
INTERNATIONAL EXHIBITION :—		
SYDNEY :—		
Motion made (<i>Mr. Copeland</i>) for all Correspondence between the Agricultural Society and the Government relative to, 31.		
Motion made (<i>Mr. Copeland</i>) for Committee of the Whole to consider Address, that Government bring in a Bill to provide for holding, and negatived on Division, 47.		
Motion made (<i>Mr. Hurley, Hartley</i>) for Committee of the Whole to consider Address, that £6,000 be appropriated for special prizes in connection with, and by leave withdrawn, 89.		
Motion made (<i>Mr. Fitzpatrick</i>) for Committee of the Whole for Address, &c., that there be granted to the Agricultural Society of New South Wales an amount equal to sum raised by private contributions (not exceeding £10,000) to enable that Society to hold an, 96 ; House in Committee, point of Order reported, on an Amendment to remove the condition of payment, and on which the Chairman had given his opinion that it was in Order ; Mr. Speaker ruled that the Amendment could not be moved, and Committee resumed, Resolution reported and agreed to, 100.		
Motion made (<i>Mr. Fitzpatrick</i>) for copy of letter of the Colonial Architect to the Colonial Secretary, submitting plan or sketch of, 462 ; Return to Order, laid on Table, 462	7	655
Statement respecting iron supplied by Mr. Macintosh for, laid on Table, 492	7	661
Motion made (<i>Mr. Farnell</i>) for copies of agreement or contract or other papers in reference to the arrangement made with Mr. John Young for supervision of erection of, 492 ; Return to Order, laid on Table, 555	7	657
Copy of letter from the Under Secretary, Colonial Secretary's Office, to Colonial Architect in reference to, laid on Table, 600	7	653
PARIS :—		
Motion made (<i>Mr. McElhone</i>) for copies of Papers, &c., in reference to the appointment of the Commissioner and Secretary to, 323 ; Return to Order, laid on Table, 421	7	663
INTERRUPTION TO PROCEEDINGS OF THE HOUSE :—		
Crown Lands Bill, 164.		
INTOXICATING LIQUORS (See "SUNDAY TRAFFIC IN INTOXICATING LIQUORS.")		
INVENTIONS, LETTERS OF REGISTRATION OF :—		
Return in continuation of Address, laid on Table, 555	6	937
INVERELL (See "BY-LAWS.")		
INVERELL FREE CHURCH OF EASTERN AUSTRALIA LAND SALE BILL :—		
Assent to, reported (<i>passed in Session 1877-8</i>), 19.		
IRON, SALE OF OLD :—		
Motion made (<i>Mr. Sutherland</i>) for Papers having reference to, to D. Williams, Esquire, 420 ; Return to Order, laid on Table, 666	5	239
ISLANDERS SHIPPING ENGAGEMENT BILL :—		
Received from Council and read 1 ^o , 147 ; Order of the Day postponed, 229, 240, 304 ; read 2 ^o , committed, reported with Amendments, and Report adopted, 626 ; read 3 ^o and returned to Council, 631 ; Message from Council agreeing to Amendments, 637 ; Assent reported, 654.		
ITALIAN TARIFF :—		
Despatch respecting laid on Table, 612	2	1253
J		
JAMES, MR. H. K. (See "REGISTERS.")		
JAVA (See "TELEGRAPH.")		
JEFFS, SAMUEL, THE CASE OF (See "ADMINISTRATION OF JUSTICE.")		
JERILDERIE :—		
Motion made (<i>Mr. Barbour</i>) for Return, showing quantity of Land within a radius of 50 miles of, sold during the past seven years, 486 ; Return to Order, laid on Table, 612	4	521
JOSEPH, HYAM (See "ADMINISTRATION OF JUSTICE.")		
JUNEE (See "RAILWAYS.")		
JURORS FEES (See "ADMINISTRATION OF JUSTICE.")		
JURY LISTS, DENILIQVIN :—		
Petition from the Inhabitants of the Towns and District of the Murray complaining of the present mode of compiling, presented, 22 ; ordered to be printed, 26	3	179
Return to Order (<i>Session 1877-8</i>), laid on Table, 51	3	135
Motion made (<i>Mr. Hurley, Hartley</i>) for a Select Committee to inquire into action taken by Magistrates, Deniliquin, in revising, appointed by Ballot, 89 ; Names added, 245 ; Motion made (<i>Mr. Hurley, Hartley</i>) for leave to visit Deniliquin and sit during any adjournment, and negatived, 284 ; Report brought up, 522	3	141
Motion made (<i>Mr. Hurley, Hartley</i>) for Committee of the Whole, that £250 be placed on Additional Estimate for 1879 to defray expenses of witnesses before Select Committee, 172 ; Order of the Day postponed, 216 ; House in Committee and Resolution agreed to, 221.		
JUSTICES ACTS FURTHER AMENDMENT BILL :—		
Motion made (<i>Mr. Dangar</i>) for leave to bring in, 67 ; presented and read 1 ^o , 70 ; Order of the Day postponed, 105, 123, 138, 216, 222, 261 ; Motion made for 2 ^o , 279 ; and negatived on Division, 280 ; Order of the Day discharged, on Division, and Bill withdrawn, 280.		

REFERENCES TO THE VOTES AND PROCEEDINGS, VOL. I—SESSION 1878-9.	PAPERS.	
	VOL.	PAGE.
J		
JUSTICES APPEAL BILL:—		
Motion made (<i>Mr. Terry</i>) for leave to bring in, 22; presented and read 1 ^o , 22; Order of the Day postponed, 47; Motion made for 2 ^o and negatived, Order of the Day discharged, and Bill withdrawn, 105.		
K		
KELLEHER AND FITZGERALD, CLAIM OF MESSRS. (See "POLICE.")		
KELLY AND WOODS (See "RESERVES.")		
KEMPSEY (See "TELEGRAPH.")		
KERR, ANDREW TAYLOR, ESQUIRE:—		
Return of, as Member for Orange, reported, 325; sworn, 329.		
KERR, THOMAS, CONDITIONAL PURCHASE OF (See "CROWN LANDS.")		
KIDMAN, MR. CHARLES:—		
Disorderly conduct of, in gallery, 342, 376, 398.		
KIDMAN, MR. JAMES:—		
List of articles supplied by, to the immigrant ship "Smyrna," and prices of same, while in Quarantine, laid on Table, 119	7	455
Correspondence respecting quantity and quality of supplies by, laid on Table, 375	7	761
KING'S FALLS (See "BRIDGES.")		
KINGSGROVE (See "ROADS.")		
L		
LACHLAN THE (See "ELECTORAL.")		
LACKEY, THE HONORABLE JOHN, ESQUIRE, M.P.:—		
Acceptance of office as Secretary for Public Works announced, 215; Resignation reported, and Seat as a Member for Central Cumberland declared vacant, 217; issue and return of Writ reported, and Member sworn, 219.		
"LA HOGUE" (See "IMMIGRATION.")		
LAING, MR. JOHN:—		
Return showing amount received by, as master of dredge "Samson," laid on Table, 482	4	1003
Information respecting, laid on Table, 538, 663	4	1005, 1007
LAKE MACQUARIE, NET FISHING IN:—		
Petition from residents in favour of, presented, 411	7	965
LAKEMAN AND ARMSTRONG, MESSRS.:—		
Petition from, that they applied, under the 25th clause of the Crown Lands Alienation Act, to purchase lands, parish of Windowran, county of Wakool, and that their applications were refused, presented, 105; ordered to be printed, 109	4	537
LAKEMAN, ARMSTRONG, AND COUPER (See "CROWN LANDS.")		
LANDS (See also "CROWN LANDS," also "LAND LAWS," also "RAILWAYS"):—		
AT CORNER OF PITT AND BRIDGE STREETS:—		
Motion made (<i>Mr. Hurley, Hartley</i>), that Select Committee be appointed to inquire into, on which Commercial Chambers are built, and Progress Report of last Session referred, 18.		
OFFICE, DISPUTED DECLARATIONS BY MEMBERS:—		
Motion made (<i>Captain Onslow</i>) for all papers relating to any disputed declarations made in reference to conditional purchases by Members of Parliament, 22.		
TAKEN FOR RAILWAY PURPOSES:—		
Motion made (<i>Captain Onslow</i>) for a Return showing extent, names of owners, amounts demanded, paid, costs in arbitration cases, &c., 36; Return to Order, laid on Table, 337	5	191
ADJOINING THE GENERAL POST OFFICE:—		
Further correspondence respecting, laid on Table, 60	5	691
APPLICATIONS FOR, AT GULF CREEK:—		
Motion made (<i>Mr. Hurley, Hartley</i>), for all papers, minutes, &c., relating to, of Messrs. Banks, Lester, and Farquhar, and also of Messrs. Griffiths and Gaffney, 77; Return to Order laid on Table, 260	4	745
AGENTS:—		
Motion made (<i>Mr. McElhone</i>) that no Land Agent be allowed to hold personal interviews with the Minister for Lands. Heads of Departments, or Clerks, on Land Agency business; and all business be by letter only, and negatived, on Division, 110.		
OFFICE AT ALBURY:—		
Motion made (<i>Mr. Thompson</i>) for copies of Reports, &c., relating to irregularities in, 315; Return to Order laid on Table, 331	4	505
DEPARTMENT:—		
Correspondence respecting resignation of Mr. James Thomson on Royal Commission laid on Table, 160; Correspondence relating to the appointment of a Board to inquire into working of, laid on Table, 283	4	213, 195
Report of Royal Commission, laid on Table, 331	4	1
Motion made (<i>Mr. Garrett</i>) for particulars of appointments in, made by him, 337; Return to Order, laid on Table, 417	3	547
Return showing number of officers and servants employed in connection with, during 1878, laid on Table, 434	3	511
Returns showing number of persons dismissed and appointed since Mr. Hoskins took office, laid on Table, 659	3	561
APPOINTMENTS IN CONDITIONAL SALES BRANCH:—		
Copy of application for twenty-two additional clerks, laid on Table, 353	3	509
OFFICE AT URALLA:—		
Motion made (<i>Mr. Copeland</i>) for correspondence having reference to appointment of, 482.		
OFFICES, ARMIDALE, WALCHA, GLEN INNES, INVERELL, BINGERA, AND WARRIALDA:—		
Return (<i>in completion</i>) showing the total area of land selected, and number of selections made from 1 March, 1877, to 1 March, 1878, laid on Table, 592	4	305, 307
OFFICE AT CONDOBOLIN:—		
Motion made (<i>Mr. Coonan</i>) for copies of petitions, letters, &c., having reference to establishment of, 430.		

REFERENCES TO THE VOTES AND PROCEEDINGS, VOL. I—SESSION 1878-9.	PAPERS.	
	VOL.	PAGE.
L		
LANDS (<i>continued</i>):—		
APPOINTMENTS IN DEPARTMENT OF:—		
Motion made (<i>Mr. McElhone</i>) for particulars of, 431.		
DISTRICT ARMIDALE:—		
Motion made (<i>Mr. Copeland</i>) for correspondence having reference to sub-division of, 482.		
SOLD TO MR. DINES:—		
Motion made (<i>Mr. McElhone</i>) for correspondence, minutes, &c., in reference to, 515.		
CONTAINING SPECIAL RESERVATIONS:—		
Papers respecting Old Grants of, laid on Table, 609	4	485
ALIENATED DURING THE YEAR 1878:—		
Return showing and the number of conditional purchases transferred, lapsed, and forfeited during the same year, laid on Table, 554.....	4	421
TAKEN UP BY MR. SMITH FOR SERICULTURE:—		
Motion made (<i>Mr. McElhone</i>) for copies of papers, correspondence, &c., in reference to, 546.		
SALES AT ARMIDALE, WALCHA, &c.:—		
Return (<i>in part</i>) to Order (<i>Session 1877-8</i>) laid on Table, 531	4	305, 307
LANDS ACTS FURTHER AMENDMENT BILL (See also CROWN LANDS BILL):—		
Motion made (<i>Mr. Hoskins</i>) for Committee of the Whole, 225; House in Committee and Resolution agreed to, 240; presented and read 1 ^o , 268; Order of the Day postponed, 316, 393, 421; Motion made for 2 ^o , and Debate adjourned, 431; Debate resumed and adjourned, 435; Amendment on Motion for 2 ^o proposed, and debate adjourned, 445; amendment negatived, 450; read, 2 ^o and committed, 450; House again in Committee, 468, 475; Message, No. 15, 483; House again in Committee, 484, 486, 489, 506, 511, 515, 523; Order of the Day postponed 526, 531; House again in Committee, 539, 542, 546; reported with Amendments, 546; recommitted and further considered in Committee, 551; further considered in Committee and reported, 2 ^o , with further Amendments, 555; recommitted, 2 ^o , further considered in Committee, reported, 3 ^o , with a further Amendment, and report adopted, 559; Motion made for 3 ^o , and Mr. Greenwood challenged votes of Sir Henry Parkes and Mr. Baker on Division, and Motions negatived, 569; read, 3 ^o , and sent to Council, 569	4	525
Petition from Upper Darling Districts against certain provisions in, presented, 379.....	4	531
Petition from Henry Brown, Chairman of Public Meeting of Citizens of Sydney against the Bill, presented, 526.....	4	533
LANDS ACTS AMENDMENT ACT DECLARATORY BILL:—		
Received from Council and read, 1 ^o , 659.		
LAND LAWS:—		
ADMINISTRATION OF THE:—		
Motion made (<i>Mr. Baker</i>) That the delay in reforming the, is productive of great loss, and that Government should make such changes as will expedite the transaction of business, &c., and negatived, 22.		
Petition from Free Selectors and Residents of District of Young, that a Bill may be introduced to remedy certain defects in, as to improved conditional purchases, presented, 177	4	529
AMENDMENT OF THE:—		
Motion made (<i>Mr. McElhone</i>) for Committee of the Whole, to consider Resolutions, and Debate interrupted by Government business, 332; Order of the Day postponed, 349, 371, 412, 478; Debate resumed and Motion negatived, 534.		
LAND ORDERS (See "VOLUNTEERS.")		
LANG, THE LATE JOHN DUNMORE, WIDOW OF:—		
Motion made (<i>Sir John Robertson</i>) for Committee of the Whole, to consider Address to Governor, that £3,000 be placed on Supplementary Estimates for, 157; Order of the Day discharged, 173.		
LAYFIELD, GRAY, AND OTHERS (See "CROWN LANDS.")		
LEARY, JOSEPH, ESQUIRE:—		
Leave of absence to, 545.		
LEAVE OF ABSENCE:—		
Motion made (<i>Sir John Robertson</i>) for, for remainder of present Session to Member for East Sydney, Mr. Stuart, and Member for Orange, Mr. Combes, previous Question moved, and by leave withdrawn, original Question by leave withdrawn, 172.		
To Mr. Dangar, 511.		
To Mr. Leary, 545.		
LECTURES IN DARLINGHURST GAOL:—		
Motion made (<i>Mr. Hurley, Hartley</i>) that instructions be issued that the Rotunda be opened on Saturdays for, and negatived, 17.		
Motion made (<i>Mr. Shepherd</i>) for copies of all letters, documents, &c., having reference to, and by leave withdrawn, 68.		
Correspondence respecting, laid on Table, 188	3	1395
LEGISLATIVE COUNCIL, THE:—		
Motion made (<i>Sir Henry Parkes</i>) respecting frustration of labours of Assembly by, principle of nomination in constitution of, and introduction of Bill to make it responsible to the people, 650; Contingent Amendment moved (<i>Mr. Buchanan</i>) to abolish, and that a single Chamber is preferable to an elective second Chamber, and Debate adjourned, 650; Debate resumed, Amendment negatived, and original Motion agreed to, 655.		
Return showing names of Members of, with dates of appointment, laid on Table, 659	2	107
LETTERS OF REGISTRATION OF INVENTIONS:—		
Return in continuation of Address adopted on 10 May, 1861, a.m., laid on Table, 555	6	937
LIABILITIES AND ASSETS (See "BANK LIABILITIES AND ASSETS.")		
LIBRARY COMMITTEE:—		
Sessional Order, 8, 228.		
LICENSED PUBLICANS ACT (See "SALE OF LIQUORS LICENSING ACT AMENDMENT BILL.")		
LICENSING ACT (See "PUBLICANS LICENSING ACT.")		
LIEUTENANT-GOVERNOR:—		
Message informing Assembly of assumption of the Government by, 361	2	1
LIGHT-HOUSES:—		
Motion made (<i>Mr. Cameron</i>) for Return showing names of vessels cleared at ports of Sydney and Newcastle, for ports coming under agreement with Victoria, for maintenance of certain, 510; Return (<i>in part</i>) to Order, laid on Table, 663	4	975
LISMORE (See "DISTRICT COURT, LISMORE.")		
LIVE STOCK AND AGRICULTURE:—		
Returns of, for year ending 31 March, 1879, laid on Table, 592.....	7	627

REFERENCES TO THE VOTES AND PROCEEDINGS, VOL I—SESSION 1878-9.	PAPERS.	
	VOL.	PAGE.
L		
LOAN BILL (See "METROPOLITAN GUARANTEED LOAN BILL"; also "PUBLIC WORKS LOAN BILL.")		
LOAN ESTIMATES (See "ESTIMATES.")		
LOAN FUNDS AMALGAMATION BILL:—		
Motion made (<i>Mr. Watson</i>) for leave to bring in, 397; presented and read 1 ^o , 398; read 2 ^o , committed, reported without Amendment, and Report adopted, 404; read 3 ^o , and sent to Council, 411; returned without Amendment, 434; Assent reported, 449.		
LOAN, PUBLIC:—		
Motion made (<i>Mr. Greenwood</i>) for correspondence respecting, recently placed on the market at the minimum of 97 per cent., 510; Return to Order laid on Table, 603; Further Return laid on Table, 650	2	1171, 1181
LOCK-UPS (See "INSANE.")		
LONG BAY (See "RESERVES.")		
LUNACY BILL:—		
Motion made (<i>Mr. Fitzpatrick</i>) for Committee of the Whole, 8; House in Committee, resolution agreed to, Message from Governor, and Bill presented and read 1 ^o , 13; read 2 ^o , committed, Message referred, 36; House again in Committee, 41, 54; reported with Amendments, 54; recommitted, reported 2 ^o , with further Amendments, and Report adopted, 71; read 3 ^o , passed and sent to Council, 74; returned with Amendments, 193; Order of the Day postponed, 204; Amendments agreed to, and Message to Council, 229; Assent reported, 249.		
Petition from G. A. Tucker, alleging that his position as proprietor of a licensed house is affected by the Bill before Parliament, and praying relief, presented, 41; ordered to be printed, 46...	3	931
LUNATIC (See "INSANE"; also "PARRAMATTA LUNATIC ASYLUM.")		
M		
MACINTOSH, JOHN, ESQUIRE, M.P.:—		
Statement respecting iron supplied by, for the Exhibition Building, laid on Table, 492	7	661
MACLEAY, MESSRS. CLARK AND (See "CROWN LANDS.")		
MACLEAY RIVER:—		
Motion made (<i>Mr. R. B. Smith</i>) for letters, petitions, surveys, reports, &c., respecting draining flooded lands, 192.		
MACPHERSON (See "POLICE.")		
MACQUARIE-STREET LAND RESUMPTION BILL:—		
Motion made (<i>Sir Henry Parkes</i>) for Committee of the Whole, 589; House in Committee, and Resolution agreed to, 613; presented and read 1 ^o , 613; Message No. 39, 618; read 2 ^o , committed, reported with Amendments, and Report adopted, 626; read 3 ^o , and sent to Council, 631; returned without Amendment, 646; Assent reported, 657	7	881
MAGISTRATES, POLICE, OR STIPENDIARY (See "POLICE.")		
MAIL SERVICE (See "POSTAL.")		
MAITLAND (See also "ELECTORAL"):—		
INQUESTS IN THE DISTRICT OF:—		
Motion made (<i>Mr. Eckford</i>) for correspondence between the Government and Dr. Morson, in reference to holding of, 522; Return to Order, laid on Table, 564	3	293
Motion made (<i>Mr. Badgery</i>) for correspondence not already published, 628; Return to Order, laid on Table, 666	3	299
MAIZE (See "STANDARD WEIGHT FOR MAIZE BILL.")		
MANAGEMENT OF CHARITABLE INSTITUTIONS:—		
Motion made (<i>Mr. O' Connor</i>) respecting unsatisfactory state of, and withdrawn, 596.		
MANILLA, BRIDGE OVER THE NAMOI AT:—		
Petition from residents for, presented, 526	5	1023
MANNING, MR. JAMES (See "WATER SUPPLY.")		
MANNING RIVER OYSTER BEDS:—		
Inspector's reports on, laid on Table, 562	7	925
Motion made (<i>Mr. W. C. Browne</i>) for further correspondence relating to, 629.		
MARRIAGES (See "REGISTERS"; also "CLERGY RETURNS TRANSFER BILL.")		
MARRIED WOMEN'S RELIEF BILL:—		
Motion made (<i>Mr. Windeyer</i>) for leave to bring in, presented and read 1 ^o , 12; read 2 ^o , committed, reported without Amendment, and Report adopted, 122; motion made that Bill be read 3 ^o , and Debate adjourned, 135; Debate further adjourned, 173; Order of the Day postponed, 215; read 3 ^o , passed, and sent to Council, 220; returned with Amendments, 288; Amendments agreed to and Message to Council, 327; Assent reported, 362.		
MARINE PARADE (See "DOUBLE BAY.")		
MARSUPIALS:—		
Petition from residents of New England District that large tracts of country are rendered valueless by reason of the ravages of, presented, 22; ordered to be printed, 27	7	891
Petition from residents of New England District, with similar prayer, presented, 81; ordered to be printed, 83	7	893
Petition from residents of The Gwydir District, with similar prayer, presented, 160	7	889
MARSUPIALS DESTRUCTION BILL:—		
Motion made (<i>Mr. Dillon</i>) for Committee of the Whole to consider expediency of bringing in, and no Tellers for the Noes on division, 90; House in Committee, and Resolution agreed to, 106; Message No. 15, recommending, 128; presented and read 1 ^o , 220; read 2 ^o and committed, 245; Order of the Day postponed, 261, 296, 328, 349, 371, 412; House again in Committee and House counted out, 459; Order of the Day postponed, 492, 535; Order of the Day discharged, and Bill withdrawn, 593	7	895
MATRIMONIAL CAUSES (See "COSTS IN MATRIMONIAL CAUSES BILL.")		
MATRIMONIAL CAUSES ACT AMENDMENT BILL:—		
Motion made (<i>Mr. Hurley, Hartley</i>), for leave to bring in, 22; presented and read 1 ^o , 22; read 2 ^o , committed, reported without Amendment, Report adopted, 47; Order of the Day postponed, 52; read 3 ^o , passed, and sent to Council, 67; returned without Amendment, 242; reserved for Royal Assent, 267.		

REFERENCES TO THE VOTES AND PROCEEDINGS, VOL. I—SESSION 1878-9.		PAPERS.	
		VOL.	PAGE.
M			
MATRIMONIAL CAUSES ACT AMENDMENT ACT:—			
Despatch disallowing, laid on Table, 7		7	859
McARTHUR, WILLIAM, ESQUIRE:—			
Member of the House of Commons, admitted to the Body of the House, 164.			
McCULLOCH, ANDREW HARDIE, JUNR., ESQUIRE, M.P. (See UNDERWOOD'S ESTATE DISTRIBUTION BILL.)			
McDONALD RIVER (See "BRIDGES.")			
McDOUGALL, MR. ANDREW:—			
Petition from, respecting grant of land alleged to have been promised him by Sir Thomas Brisbane presented, 635		4	541
M'EVOY, MR. EDWARD (See "TELEGRAPH.")			
MEDICAL BILL:—			
Motion made (<i>Dr. Bowker</i>) for leave to bring in Bill, 46; presented and read 1 ^o , 268; Order of the Day postponed, 349; Order of the Day discharged, and Bill withdrawn, 370.			
Petition from Sydney, Bathurst, and West Maitland against, presented, 349.....		7	961
Petition from Pharmaceutical Council praying for certain Amendments in, presented, 583.....		7	963
MEDICAL BILL (No. 2):—			
Motion made (<i>Dr. Bowker</i>) for Committee of the Whole, 444; House in Committee, and Resolution agreed to, 458; read 1 ^o , 459; Order of the Day postponed, 493, 535; Order of the Day discharged, and Bill withdrawn, 593.			
MEDCALF, CRIMINAL CONDEMNED FOR RAPE (See "ADMINISTRATION OF JUSTICE.")			
MEETING OF THE HOUSE:—			
Ring of Bell before (<i>Sessional Order</i>), 8.			
MEMBERS:—			
Of Legislative Assembly as Witness before Select Committee (<i>Underwood's Estate Distribution Bill</i>), 36, 37.			
Of Legislative Council do. (<i>Mudgee Turf Club Bill</i>), 274.			
Sworn, 1, 219 (7), 254, 329, 353.			
Of Elections and Qualifications Committee sworn by the Clerk, 27, 31, 47, 51, 239, 240.			
LAND TAKEN UP BY:—			
Motion made (<i>Mr. McElhone</i>) for Return showing names of, who have taken up land by after auction selection, 331.			
EMPLOYMENT OF BY THE GOVERNMENT:—			
Motion made (<i>Sir Henry Parkes</i>) to rescind Resolution of 21st December, 1875, which prohibited, and negatived, 404.			
CONDITIONAL PURCHASES HELD BY:—			
Return respecting, laid on Table, 609.....		4	309
MEN OF THE TIME, AND AUSTRALIAN DICTIONARY OF DATES:—			
Correspondence relating to the printing and publication of at the Government Printing Office, laid on Table, 454		7	905
Motion made (<i>Mr. McElhone</i>) respecting, and Debate interrupted by Government business, 484; Debate resumed, previous Question moved and withdrawn, and Question amended, 492.			
Motion made (<i>Mr. Fitzpatrick</i>) for correspondence between the Government and Mr. Heaton, with respect to the printing and publication of, 568; Return to Order, laid on Table, 603		7	909
Motion made (<i>Mr. O'Connor</i>) for correspondence received by the Government between 26 June and 1 July inclusive, 613; Return to Order, laid on Table, 640.....		7	917
MERRIWA CREEK (See "BRIDGES.")			
MESSAGES:—			
TRANSMISSION OF, BETWEEN THE TWO HOUSES:—			
Sessional Order passed, 7.			
FROM THE GOVERNOR:—			
Summoning Assembly to Council, 1, 667.			
Taken into consideration in the House, 259.			
No. 1. Lunacy Bill, 13.			
2. Assent to Inverell Free Church of Eastern Australia Land Sale Bill (passed Session 1877-8), 19.			
3. Sydney Corporation Bill, 36.....		7	199
4. Patent Bill, 51.....		6	1125
5. Stock Sale Yards Bill, 53.			
6. Customs Regulation Bill, 54.			
7. Crown Lands Bill, 94.....		4	523
8. Duplication of the Port Darwin Telegraph Cable, 94.....		5	807
9. Water and Sewerage Bill, 94.....		7	113
10. Parliamentary Powers and Privileges Bill, 99.....		2	3
11. Estimates of Expenditure for 1879, and Supplementary Estimates for 1878 and previous years, 114.....		2	121
12. Clergy Returns Transfer Bill, 124.....		7	877
13. Assent to Grape-vines and Grapes Importation Prohibition Bill, 128.			
14. Roads Bill, 128.....			
15. Marsupials Destruction Bill, 128.....		5	987
16. Water Conservation Bill, 129.....		7	895
17. Municipalities Act Amendment Bill, 133.....		7	107
18. Copyright Bill, 141.....		7	179
19. Assent to The Glebe Borough Bill, 160.		7	887
20. Do. Tonnage Rates and Public Wharfs Amendment Bill, 161.			
21. Do. Costs in Matrimonial Causes Bill, 184.			
22. Do. Commercial Banking Company of Sydney Incorporation Acts Extension Bill, 185.			
23. Further Supplementary Estimate for 1878, 185.....			
24. Vote of Credit (proposed change of Administration), 204.....		2	327
25. Do. (do. do.), 215.....		2	1201
26. Assent to Consolidated Revenue Fund Bill, 219.		2	1203
27. Vote of Credit (January, and International Exhibition, &c.), 224.....			
28. Assent to Consolidated Revenue Fund Bill (No. 2), 239.		2	1205
29. Do. Clergy Returns Transfer Bill, 239.			
30. Do. Lunacy Bill, 249.			
31. Do. Parramatta Town Hall Bill, 249.			
32. Chinese Immigration Regulation Bill, 250.....		7	461

REFERENCES TO THE VOTES AND PROCEEDINGS, VOL. I.—SESSION 1878-9.		PAPERS.	
		VOL.	PAGE.
M			
MESSAGES (continued) :—			
FROM THE GOVERNOR (continued) :—			
33. Provision for further expenses in Sydney Corporation Bill, 250	7	201	
34. Requesting withdrawal of Estimates for 1878-9, 259.....	2	329	
35. Estimates of Expenditure for 1879, and Supplementary Estimates for 1878 and previous years, 259	2	331	
36. Reserving for Royal Assent Matrimonial Causes Act Amendment Bill, 267.			
37. Estimates of Expenditure on account of Public Works and other Services proposed to be defrayed out of the Accumulated Surplus on the Consolidated Revenue Fund, 268	2	547	
38. Vote of Credit (February, &c.), 301	2	1207	
39. Assent to Consolidated Revenue Fund Bill (No. 3), 306.			
40. Do. Redmond's Estate Bill, 306.			
41. Do. Primitive Methodist Church Temporalities Bill, 306.			
42. Do. Felons Apprehension Bill, 318.			
43. Supreme Court (Additional Judge) Bill, 337	3	353	
44. Assent to Animals Protection Bill, 339.			
45. Do. Moore's Estate Bill, 339.			
FROM THE LIEUTENANT-GOVERNOR :—			
1. Assumption of the Government of the Colony by Sir Alfred Stephen, 361.....	2	1	
2. Redfern to Hunter-street Tramway Bill, 361	5	451	
3. Metropolitan Railway Extension Bill, 361	5	245	
4. Assent to City of Goulburn Gas and Coke Company's Incorporation Bill, 361.			
5. Do. Orange Town Hall Site Sale Bill, 362.			
6. Do. Married Women's Relief Bill, 362.			
7. Vote of Credit (March), 381	2	1209	
8. Assent to Consolidated Revenue Fund Bill (No. 4), 388.			
9. Do. Felons Apprehension Act Amendment Bill, 395.			
10. Do. Adulteration of Food Prevention Bill, 395.			
11. Do. Small Debts Acts Further Extension Bill, 430.			
12. Vote of Credit (April), 443.....	2	1211	
13. Assent to Loan Funds Amalgamation Bill, 449.			
14. Do. Consolidated Revenue Fund Bill (No. 5), 458.			
15. Lands Acts Further Amendment Bill, 483	4	525	
16. Assent to Redfern to Hunter-street Tramway Bill, 486.			
17. Do. Chippendale Roman Catholic Church Land Sale Bill, 510.			
18. Do. Customs Regulation Bill, 510.			
19. Do. Copyright Bill, 510.			
20. Do. Bank Liabilities and Assets Publication Act Extension Bill, 525.			
21. Vote of Credit (May), 541	2	1213	
22. Assent to Contractors Debts Bill, 542.			
23. Do. Impounding Act Amendment Bill (No. 2), 542.			
24. Do. Consolidated Revenue Fund Bill (No. 6), 550.			
25. Do. City of Sydney Improvement Bill, 550.			
26. Requesting return of portion of Estimates having reference to public instruction, with a view to substitution of Amended Estimate, 564.....	2	553	
27. Supreme Court Temporary Judge Bill, 568	3	355	
28. Assent to Transfer of Conditional Purchases Declaratory Bill, 575.			
29. Do. Patents Law Amendment Bill, 588.			
30. Do. Cohen's Enabling Bill, 588.			
31. Additional Estimates of Expenditure for 1879, and Further Supplementary Estimates for 1878 and previous years, 588	2	555	
32. Further Estimate of Expenditure on account of Public Works and other Services proposed to be defrayed out of the Accumulated Surplus on the Consolidated Revenue Fund, 589	2	573	
33. Vote of Credit (June), 603	2	1215	
34. Assent to Consolidated Revenue Fund Bill (No. 7), 609.			
35. Do. Supreme Court Temporary Judge Bill, 609.			
36. Sydney International Exhibition Bill, 612.			
37. Further Estimate for 1879 on account of Public Works, 612	2	579	
38. Further Estimate of Expenditure on account of Public Services proposed to be defrayed out of the Accumulated Surplus on the Consolidated Revenue Fund, 617	2	585	
39. Macquarie-street Land Resumption Bill, 618	7	881	
40. Assent to Sydney Corporation Bill, 627.			
41. Metropolitan Guaranteed Loan Bill, 632	2	1199	
42. Loan Estimate for 1879, 636	2	591	
43. Additional Loan Estimate for 1879, 640	2	597	
44. Assent to Waratah Council Chambers Resumption Bill, 643.			
45. Do. Duty on Gold Abolition Bill, 643.			
46. Do. Islanders Shipping Engagement Bill, 654.			
47. Do. Metropolitan Guaranteed Loan Bill, 657.			
48. Do. Sydney International Exhibition Bill, 657.			
49. Do. Macquarie-street Land Resumption Bill, 657.			
FROM ASSEMBLY TO COUNCIL :—			
Transmitting Grape-vines and Grapes Importation Prohibition Bill, 40.			
Impounding Act Amendment Bill, 51.			
Matrimonial Causes Act Amendment Bill, 67.			
Lunacy Bill, 74.			
Drunkards Punishment Act Amendment Bill, 77.			
The Glebe Borough Bill, 89.			
Parliamentary Powers and Privileges Bill, 114.			
Tonnage Rates and Public Wharfs Amendment Bill, 119.			
Clergy Returns Transfer Bill, 138.			
Costs in Matrimonial Causes Bill, 141.			
Customs Regulation Bill, 146.			
Parramatta Town Hall Bill, 157.			
Sydney Infirmary and Dispensary Bill, 157.			
City of Sydney Improvement Bill, 177.			
Consolidated Revenue Fund Bill, 217.			

M

MESSAGES (*continued*) :—FROM ASSEMBLY TO COUNCIL (*continued*) :—

- Transmitting Married Women's Relief Bill, 220.
 Consolidated Revenue Fund Bill (No. 2), 226.
 Small Debts Act Further Extension Bill, 224.
 Primitive Methodist Church Temporalities Bill, 224.
 Redmond's Estate Bill, 228.
 City of Goulburn Gas and Coke Company's Incorporation Bill, 264.
 Felons Apprehension Bill, 293.
 Orange Town Hall Site Sale Bill, 302.
 Bank Liabilities and Assets Publication Act Extension Bill, 302.
 Consolidated Revenue Fund Bill (No. 3), 303.
 Supreme Court (Additional Judge) Bill, 358.
 Patents Law Amendment Bill, 365.
 Chinese Immigration Regulation Bill, 366.
 Copyright Bill, 376.
 Consolidated Revenue Fund Bill (No. 4), 384.
 Sydney Corporation Bill, 393.
 Loan Funds Amalgamation Bill, 411.
 Transfer of Conditional Purchases Declaratory Bill, 421.
 Redfern to Hunter-street Tramway Bill, 425.
 Consolidated Revenue Fund Bill (No. 5), 451.
 Chippendale Roman Catholic Church Land Sale Bill, 462.
 Impounding Act Amendment Bill (No. 2), 462.
 Contractors Debts Bill, 493.
 Cohen's Enabling Bill, 511.
 Consolidated Revenue Fund Bill (No. 6), 543.
 Lands Acts Further Amendment Bill, 569.
 Supreme Court Temporary Judge Bill, 576.
 Consolidated Revenue Fund Bill (No. 7), 604.
 Waratah Council Chambers Resumption Bill, 617.
 Macquarie-street Land Resumption Bill, 631.
 Duty on Gold Abolition Bill, 631.
 Appropriation Bill, 636.
 Metropolitan Guaranteed Loan Bill, 636.
 Sydney International Exhibition Bill, 636.
 Public Works Loan Bill, 655.
 Returning Commercial Banking Company of Sydney Incorporation Acts Extension Bill, without Amendment, 164.
 Moore's Estate Bill, with an Amendment, 264.
 Animals Protection Bill, with Amendments, 274.
 Felons Apprehension Act Amendment Bill, without Amendment, 365.
 Adulteration of Food Prevention Bill, without Amendment, 376.
 Islanders Shipping Engagement Bill, with Amendments, 631.
- Agreeing to Amendments in Clergy Returns Transfer Bill, 225.
 Lunacy Bill, 229.
 Parramatta Town Hall Bill, 232.
 Redmond's Estate Bill, 280.
 Primitive Methodist Church Temporalities Bill, 285.
 Married Women's Relief Bill, 327.
 City of Goulburn Gas and Coke Company's Incorporation Bill, 328.
 Redfern to Hunter-street Tramway Bill, 468.
 Customs Regulation Bill, 484.
 Bank Liabilities and Assets Publication Act Extension Bill, 492.
 Cohen's Enabling Bill, 562.
 Patents Law Amendment Bill, 573.
 Supreme Court Temporary Judge Bill, 600.
- Agreeing to some Amendments, amending others, and proposing a new Clause in the Felons Apprehension Bill, 306.
 Agreeing to Amendment in new Clause inserted by Assembly consequent on Council's Amendments in the Felons Apprehension Bill, 307.
 Amending an Amendment, disagreeing from Amendments, and agreeing to the remainder, in the Parliamentary Powers and Privileges Bill, 318.
 Insisting on disagreement from Council's Amendment in the Parliamentary Powers and Privileges Bill, and requesting Free Conference, 405.
 Desiring to be informed of the action of the Council with respect to the Parliamentary Powers and Privileges Bill, 454.
 Disagreeing from an Amendment, and agreeing to the other Amendments in the Small Debts Act Further Extension Bill, 332.
 Not insisting upon disagreement from Council's Amendment in the Small Debts Act Further Extension Bill, 412.
 Disagreeing from and agreeing to Amendments in the Supreme Court (Additional Judge) Bill, 418.
 Still insisting upon its disagreements in the Supreme Court (Additional Judge) Bill, and expressing dissent with terms of Message of 24th April, 472.
 Agreeing to some, disagreeing from others, and amending one of the Council's Amendments in the Sydney Corporation Bill, 527.
 Agreeing to the Amendment last proposed by the Council, with an Amendment, in the Sydney Corporation Bill, 570.
 Not insisting upon Amendment upon Council's Amendment, and agreeing to the Council's Amendments upon the further proviso in the Sydney Corporation Bill, 600.
 Agreeing to some, and amending an Amendment in the City of Sydney Improvement Bill, 539.
 Disagreeing from some and agreeing to the other Amendments in the Transfer of Conditional Purchases Declaratory Bill, 539.
 Granting leave to Member of Legislative Assembly to appear as Witness before Select Committee of Legislative Council on Underwood's Estate Distribution Bill, 37.
 Asking leave for Member of Legislative Council to appear as Witness before Select Committee of Legislative Assembly on Mudgee Turf Club Bill, 274.

M

MESSAGES (continued) :—

FROM COUNCIL TO ASSEMBLY :—

- Transmitting Underwood's Estate Distribution Bill, 36.
 Birds and Animals Protection Bill, 37.
 Commercial Banking Company of Sydney Incorporation Acts Extension Bill, 96.
 Bankers Books and Cheques Bill, 135.
 Islanders Shipping Engagement Bill, 147.
 Adulteration of Food Prevention Bill, 147.
 Moore's Estate Bill, 228.
 Felons Apprehension Act Amendment Bill, 343.
 The Equity Bill, 484.
 Criminals Commuted Punishment Bill, 646.
 Lands Acts Amendment Act Declaratory Bill, 659.
- Returning Grape-vines and Grapes Importation Prohibition Bill, without Amendment, 100.
 The Glebe Borough Bill, without Amendment, 147.
 Tonnage Rates and Public Wharfs Amendment Bill, without Amendment, 150.
 Costs in Matrimonial Causes Bill, without Amendment, 163.
 Clergy Returns Transfer Bill, with Amendments, 192.
 Lunacy Bill, with Amendments, 193.
 Parramatta Town Hall Bill, with Amendments, 204.
 Consolidated Revenue Fund Bill, without Amendment, 217.
 Consolidated Revenue Fund Bill (No. 2), without Amendment, 229.
 Matrimonial Causes Act Amendment Bill, without Amendment, 242.
 Primitive Methodist Church Temporalities Bill, with Amendments, 268.
 Redmond's Estate Bill, with an Amendment, 268.
 Parliamentary Powers and Privileges Bill, with Amendments, 275.
 Married Women's Relief Bill, with Amendments, 288.
 Small Debts Act Further Extension Bill, with Amendments, 289.
 Consolidated Revenue Fund Bill (No. 3), without Amendment, 303.
 Felons Apprehension Bill, with Amendments, 303.
 City of Goulburn Gas and Coke Company's Incorporation Bill, with Amendments, 318.
 Orange Town Hall Site Sale Bill, without Amendment, 338.
 Impounding Act Amendment Bill, with Amendments, 364.
 Consolidated Revenue Fund Bill (No. 4), without Amendment, 385.
 Supreme Court (Additional Judge) Bill, with Amendments, 398.
 Loan Funds Amalgamation Bill, without Amendment, 434.
 Patents Law Amendment Bill, with Amendments, 444.
 Consolidated Revenue Fund Bill (No. 5), without Amendment, 455.
 Redfern to Hunter-street Tramway Bill, with Amendments, 455.
 Bank Liabilities and Assets Publication Act Extension Bill, with Amendments, 463.
 Customs Regulation Bill, with Amendments, 463.
 Chippendale Roman Catholic Church Land Sale Bill, without Amendment, 486.
 Copyright Bill, without Amendment, 486.
 City of Sydney Improvement Bill, with Amendments, 497.
 Sydney Corporation Bill, with Amendments, 504.
 Contractors Debts Bill, without Amendment, 526.
 Transfer of Conditional Purchases Declaratory Bill, with Amendments, 526.
 Impounding Act Amendment Bill (No. 2), without Amendment, 531.
 Consolidated Revenue Fund Bill (No. 6), without Amendment, 546.
 Cohen's Enabling Bill, with Amendments, 549.
 Supreme Court Temporary Judge Bill, with an Amendment, 596.
 Consolidated Revenue Fund Bill (No. 7), without Amendment, 604.
 Duty on Gold Abolition Bill, without Amendment, 640.
 Waratah Council Chambers Resumption Bill, without Amendment, 640.
 Metropolitan Guaranteed Loan Bill, without Amendment, 646.
 Sydney International Exhibition Bill, without Amendment, 646.
 Appropriation Bill, without Amendment, 646.
 Macquarie-street Land Resumption Bill, without Amendment, 646.
 Public Works Loan Bill, without Amendment, 666.
- Agreeing to Amendments in Moore's Estate Bill, 276.
 Agreeing to Amendments in the Animals Protection Bill, 302.
 Agreeing to Amendments on Council's Amendments and to consequential new clause, but proposes to amend new clause, in the Felons Apprehension Bill, 307.
 Agreeing to Amendment on Council's Amendment, not insisting on others, and insisting on another, in the Parliamentary Powers and Privileges Bill, 380.
 Agreeing to Free Conference on the Parliamentary Powers and Privileges Bill, 421.
 Informing of the course adopted by the Council in not considering the report of its own Managers of the Free Conference on the disagreements between the two Houses on the Parliamentary Powers and Privileges Bill, reported by Mr. Speaker, and removed from the records, on the motion of Sir Henry Parkes, 511.
 Insisting upon Amendment in the Small Debts Act Further Extension Bill, 383.
 Insisting upon its Amendments disagreed to by the Assembly in the Supreme Court (Additional Judge) Bill, 455.
 Adhering to Amendments in the Supreme Court (Additional Judge) Bill, and Bill laid aside, 512.
 Agreeing to Assembly's Amendment upon the Council's Amendments in the City of Sydney Improvement Bill, 539.
 Not insisting upon its Amendments disagreed to by the Assembly in the Transfer of Conditional Purchases Declaratory Bill, 559.
 Not insisting upon its Amendment disagreed to by the Assembly, proposing another Amendment, and agreeing to the Assembly's Amendment upon the Council's Amendment, in the Sydney Corporation Bill, 559.
 Disagreeing from Assembly's Amendment upon the Council's Amendment, and agreeing to Assembly's Amendment upon the Council's Amendment with an Amendment in the Sydney Corporation Bill, 588.
 Agreeing to Amendments in the Islanders Shipping Engagement Bill, 637.
 Granting leave to Member of Legislative Council to appear and be examined before Select Committee of Assembly on the Mudgee Turf Club Bill, 276.
 Requesting that leave be given to examine Member of Assembly before Select Committee of Council on Underwood's Estate Distribution Bill, 36.

REFERENCES TO THE VOTES AND PROCEEDINGS, VOL. I—SESSION 1878-9.	PAPERS.	
	VOL.	PAGE.
M		
METHODIST CHURCH BILL (See "PRIMITIVE METHODIST CHURCH BILL.")		
METROPOLITAN CATTLE SALE YARDS (See "STOCK SALE YARDS BILL.")		
METROPOLITAN GUARANTEED LOAN BILL :—		
Motion made (<i>Sir Henry Parkes</i>) for Committee of the Whole, 613; House in Committee, and Resolution agreed to, 625; presented and read 1 ^o , 625; Message No. 41, 632; read 2 ^o , committed, reported with Amendments, and Report adopted, 633; read 3 ^o , and sent to Council, 636; returned without Amendment, 646; Assent reported, 657	2	1199
METROPOLITAN RAILWAY EXTENSION BILL :—		
Motion made (<i>Mr. Lackey</i>) for Committee of the Whole, 274; House in Committee and Resolution agreed to, 289; presented and read 1 ^o , 328; Order of the Day postponed, 358; Message No. 3, 361; Motion made for 2 ^o and Debate adjourned, 380; read 2 ^o and committed, 398....	5	245
METROPOLITAN WATER SUPPLY AND SEWERAGE BILL (See also "WATER AND SEWERAGE BILL") :—		
Motion made (<i>Mr. Fitzpatrick</i>) for Committee of the Whole, 8.		
MERRIWA CREEK (See "BRIDGES.")		
METHODIST CHURCH (See "PRIMITIVE METHODIST CHURCH TEMPORALITIES BILL.")		
MIDNIGHT :—		
SITTINGS AFTER :—58, 115, 120, 143, 173, 324, 333, 338, 344, 355, 366, 376, 380, 385, 394, 404, 418, 422, 435, 439, 445, 450, 468, 472, 475, 484, 486, 489, 506, 511, 515, 523, 526, 531, 539, 542, 546, 551, 555, 559, 566, 570, 582, 584, 589, 597, 600, 604, 640, 651.		
MILBURN CREEK COPPER MINE :—		
Motion made (<i>Mr. Cohen</i>) for copy of the Report of the Geological Surveyor on, 603; Return to Order, laid on Table, 609	4	861
MILITARY (See also "DEFENCES OF THE COLONY"; also "VOLUNTEERS") :—		
MAJOR SEALDING :—		
Motion made (<i>Mr. McElhone</i>) for correspondence, memorandums, relating to insolvency of, and negatived, 610.		
Motion made (<i>Mr. McElhone</i>) respecting position of, in, and negatived, 646.		
MILITARY AND CIVIL CRICKET GROUND :—		
Return to Order (<i>Session 1877-8</i>), laid on Table, 534.....	7	92
MINERAL AND MINING (See also "CROWN LANDS") :—		
RENT IN ARREAR ON LEASES.		
Motion made (<i>Mr. Dillon</i>) for Return of all lands forfeited during last four years, and of lands now held by Lessees and not forfeited, 46; Return to Order, laid on Table, 273.....		839
PETER GRIMLY'S SELECTION AT IRONBARKS :—		
Motion made (<i>Mr. O'Connor</i>) for copies of all correspondence, &c., between Mining Department and P. Grimly respecting, 67; Return to Order, laid on Table, 133		841
MINING ACT OF 1874 :—		
Regulations under, for cutting Water-races through leased lands, laid on Table, 109.....		903
COAL MINES REGULATION ACT OF 1876 :—		
Opinion of Mr. Attorney-General Windeyer on certain points submitted by the Honorable the Minister for Mines, 39 Vic. No. 31, laid on Table, 224.	4	
Opinion of Mr. Attorney-General Dalley, on certain points submitted by the Honorable Minister for Mines, 39 Vic. No. 31, laid on Table, 224.		
LAND CONDITIONALLY PURCHASED OR CONVERTED INTO CONDITIONAL PURCHASES :—		
Return showing the number of acres of, during each year from 1872 to 1878 inclusive, laid on Table, 250		835
CONDITIONAL PURCHASES :—		
Numerical Return respecting, laid on Table, 587		837
MINERAL CONDITIONAL PURCHASES :—		
Motion made (<i>Mr. Copeland</i>) for leave to bring in Bill, 581.		
MINING LEASES REGULATIONS (See "GOLD.")		
MINISTERIAL OFFICES :—		
Motion made (<i>Sir Henry Parkes</i>) to re-affirm Resolution of the Assembly that it is not desirable that a Minister of the Crown should be a Director or Manager of any private Banking, Insurance, or Loan Company, and negatived on Division, 110.		
MINISTERIAL STATEMENT :—		
Made to the House by Mr. Farnell, 27, 197, 199, 201, 203, 207, 209, 213, 215.		
Do. Sir Henry Parkes, 220, 471.		
MINISTRY, WANT OF CONFIDENCE IN THE (See also "ADMINISTRATION") :—		
Motion made (<i>Sir Henry Parkes</i>) that an Address be presented to the Governor that this House declines to proceed with public business while the present Ministers retain office, 211.		
MINOR ROADS (See "ROADS.")		
MINT, ROYAL, SYDNEY BRANCH :—		
Report of Deputy Master of the Mint on Gold Coinage of, for Year ended 30 June, 1878, laid on Table, 220	7	1013
Despatch, laid on Table, 331.....	7	1015
MINUTES OF THE LORDS OF THE TREASURY :—		
Relating to the Imperial Service, laid on Table, 645	3	543
MOLONG (See also "EDUCATION") :—		
Motion made (<i>Mr. J. Davies</i>) for copies of papers, &c., respecting the selection of a site for a Post and Telegraph Office at, 323; Return to Order, laid on Table, 603.....	5	643
MOORE'S ESTATE BILL :—		
Received from Council and read 1 ^o , 228; read 2 ^o , committed, reported with an Amendment, and Report adopted, 261; read 3 ^o , passed and returned with an Amendment, 264; Amendment agreed to by Council, 276; Assent reported, 339.		
MORANGARELL (See "TELEGRAPH.")		
MUDGEE (See also "ELECTORAL") :—		
CLERK OF PETTY SESSIONS AT :—		
Motion made (<i>Mr. Hurley, Hartley</i>) for printing of Report of the Commissioner appointed to inquire into certain charges made against (<i>Session 1870-1</i>), 318	3	499
ELECTORATE OF :—		
Seat given to Mr. Buchanan on disqualification of Mr. Rouse, 353; sworn, 353.		

REFERENCES TO THE VOTES AND PROCEEDINGS, VOL. I—SESSION 1878-9.		PAPERS.	
		VOL.	PAGE.
M			
MUDGE TURF CLUB BILL:—			
Standing Order No. 61 suspended, 152; Petition presented (<i>Sir John Robertson</i>) for leave to bring in, 152; leave given, 156; presented and read 1 ^o , 157; referred to Select Committee, 161; Message to Council for attendance of Hon. G. H. Cox as witness, 274; and reply granting leave, 276; Report brought up, 302; read 2 ^o and committed, 327; Order of the Day postponed, 349; House again in Committee and no Quorum reported, 371 (?); progress reported, 371; Order of the Day postponed, 412; House again in Committee and no Quorum reported 6 ^o and House counted out, 439.....		7	839
MUNDOORAN (See "TELEGRAPH.")			
MUNFORD (See "BLOMFIELD AND MUNFORD.")			
MUNICIPAL COUNCIL OF SYDNEY:—			
Report on Sewerage and Water Supply for 1878, laid on Table, 331.....		7	109
Papers on the financial condition of the Sydney Corporation, laid on Table, 331.....		7	203
MUNICIPALITIES ACT AMENDMENT BILL:—			
Message from Governor, recommending, 133; Motion made (<i>Mr. Fitzpatrick</i>) for Committee of the Whole, 141; Order of the Day discharged, 233		7	179
MUNICIPALITIES, ENDOWMENT OF:—			
Motion made (<i>Mr. Stuart</i>) for Return showing particulars of, 354.			
MURRAY, LIEUTENANT (See "VOLUNTEERS.")			
MURRAY RIVER (See "CUSTOMS.")			
MUSEUM:—			
COLONIAL, IN LONDON:—			
Correspondence respecting, laid on Table, 583		3	875
SYDNEY:—			
Report for 1878, laid on Table, 522.....		3	857
MUTTAMA RUN (See "CROWN LANDS.")			
MYALL RIVER (See "BRIDGES.")			
N			
NAMOI-NARRABRI TIMBER RESERVE:—			
Reports from Surveyors and others relative to, together with plan, laid on Table, 486		4	651
NARRANDERA (See "RAILWAYS"; also "CROWN LANDS.")			
NASH, MR. J. F.:—			
Report of the Board appointed to inquire into charges preferred by, against the Government Stores Department (PART I), laid on Table, 576		3	395
NECROPOLIS:—			
Letter from Honorary Secretary respecting alleged failure to provide a grave in the Wesleyan Cemetery in time for the reception of a corpse, laid on Table, 137		7	951
NET FISHING:—			
Motion made (<i>Mr. Hurley, Hartley</i>) for leave to bring in Bill to prevent, 288.			
Petition from residents of Lake Macquarie in favour of, presented, 411		7	965
NEUTRAL HARBOUR (See "RECLAMATION OF LAND.")			
NEW ADMINISTRATION, FORMATION OF:—			
Letters in reference to, by Sir John Robertson, submitting proposed names to His Excellency the Governor, read to the House, 203.			
Mr. Farnell informs the House of, by Sir Henry Parkes, 215; resignations reported and Seats declared vacant, 217 (?); issue and return of Writs reported and Members sworn, 219 (?).			
NEWCASTLE (See also "BY-LAWS"):—			
PAVING AND PUBLIC VEHICLES REGULATION ACT:—			
By-laws under, laid on Table, 36, 220.....		7	239, 245
SCHOOL BOARD:—			
Motion made (<i>Captain Onslow</i>) for correspondence between the Council of Education, and any other person regarding the appointment of additional members to, 251; Return to Order, laid on Table, 383.....		3	725
EXPORT OF COAL:—			
Return showing during the years 1876, 1877, and 1878, laid on Table, 576		4	859
PORT OF:—			
Motion made (<i>Mr. Cameron</i>) for Return showing names of Vessels cleared from port of, for ports coming under the agreement with Victoria for the maintenance of certain light-houses, 510; Return (<i>in part</i>) to Order, laid on Table, 663.....		4	975
"NEWCASTLE" DREDGE (See "HARBOURS AND RIVERS.")			
NEW CALEDONIA (See "CONVICTS.")			
NEW ENGLAND (See "RAILWAYS.")			
NEWSPAPERS (See "ADVERTISEMENTS.")			
NOBLE, QUARTER-MASTER (See "VOLUNTEERS.")			
NO QUORUM (See "QUORUM.")			
NO REPORT:—			
From Committee of the Whole, 233, 279, 439.			
"NORTHAMPTON" (See "IMMIGRATION.")			
NO TELLERS:—			
On Division, 90 (?), 225, 582, 660.			
NUISANCES PREVENTION ACT OF 1875:—			
BY-LAWS UNDER, LAID ON TABLE:—			
Borough of The Glebe, 2.....		7	223
Borough of Grafton, 2		7	221
Municipal District of Hay, 273		7	225
Borough of Newcastle, 288		7	209

REFERENCES TO THE VOTES AND PROCEEDINGS, VOL. I—SESSION 1878-9.	PAPERS.	
	VOL.	PAGE.
O		
O'DWYER, WILLIAM (See "PUCKA WIDGEE RUN.")		
OGILVIE, CHRISTINA :— Correspondence respecting the refusal to admit, into the Sydney Infirmary, laid on the Table, 562	3	941
OLIVER, MR. C. (See "CIVIL SERVICE.")		
OPENING OF THE SESSION (See "PARLIAMENT.")		
OPENING SPEECH (See "GOVERNOR.")		
OPINION (See "ATTORNEY GENERAL.")		
ORANGE (See "ELECTIONS AND QUALIFICATIONS COMMITTEE.")		
ORANGE TOWN HALL SITE SALE BILL :— Petition presented (<i>Mr. Lynch</i>) for leave to bring in, 239 ; leave given, presented, and read 1 ^o , 242 ; referred to Select Committee, 245 ; Report brought up, 260 ; read 2 ^o , committed, reported without Amendment, and Report adopted, 296 ; read 3 ^o and passed, 301 ; and sent to Council, 302 ; returned without Amendment, 338 ; Assent reported, 362	7	833
ORDER (See "POINTS OF ORDER.")		
ORDERS OF THE DAY :— Restored, 111, 185. Discharged, 47, 61, 105, 106, 173, 225 (3), 229, 232, 233 (7), 279, 280, 327, 349, 370 (3), 492, 493, 535 (2), 593 (2), 604, 666 (2).		
ORDNANCE LANDS TRANSFER BILL :— Presented and read 1 ^o <i>pro forma</i> (<i>Mr. Farnell</i>), 2.		
ORTON, ARTHUR (See "ADMINISTRATION OF JUSTICE.")		
OYSTER BEDS, MANNING RIVER :— Inspector's Reports, laid on Table, 562	7	925
OYSTER BEDS AT THE MANNING AND SHOALHAVEN RIVERS :— Motion made (<i>Mr. W. C. Browne</i>) for further correspondence relating to, 629.		
OYSTER FISHERIES :— Motion made (<i>Mr. Farnell</i>) for leave to bring in Bill to deal with, 134 ; House in Committee and Resolution agreed to, 138.		
P		
PADDINGTON (See "ROADS"; also "ELECTIONS AND QUALIFICATIONS COMMITTEE.")		
PARIS EXHIBITION (See "INTERNATIONAL EXHIBITION.")		
PARKES, THE HONORABLE SIR HENRY, K.C.M.G., M.P. :— Administration of, and acceptance by, of office of Colonial Secretary and Premier announced to the House, 215 ; resignation reported, and Seat as Member for Canterbury declared vacant, 217 ; issue and return of Writ reported, and Member sworn, 219. Vote of, challenged on third reading of the Lands Acts Further Amendment Bill by <i>Mr. Greenwood</i> , and Motion negatived, 569.		
PARKS (See "RESERVES.")		
PARLIAMENT (See also "ASSEMBLY"; also "COUNCIL") :— Proclamation opening Second Session read by the Clerk, 1. Governor's Opening Speech, 2 ; Address in reply, 3 ; Governor's reply to Address in reply, 5. Prorogation Speech, 667. Employment of Members, 404. Return of Conditional Purchases held by Members, laid on Table, 609 Motion made (<i>Captain Onslow</i>) for all papers relating to any disputed declarations made in reference to Conditional Purchases by Members, 22.	4	309
POWERS AND PRIVILEGES OF :— Motion made (<i>Mr. Farnell</i>) to refer subject to joint Standing Orders Committee, and by leave withdrawn, 12.		
HANSARD, OR OFFICIAL REPORT OF DEBATES IN :— Correspondence respecting proposed establishment of, laid on Table, 36	2	97
FRANKING CORRESPONDENCE OF MEMBERS :— Motion made (<i>Mr. Day</i>) that the Government should provide a stamp at Legislative Assembly to frank free of postage letters written by Members, on public business, during sittings of Parliament, and negatived, 143.		
PARLIAMENTARY POWERS AND PRIVILEGES BILL :— Motion made (<i>Mr. Farnell</i>) for Committee of the Whole, 58 ; House in Committee and Resolution agreed to, 71 ; presented and read 1 ^o , 81 ; Message from the Governor recommending, 99 ; read 2 ^o , committed, reported with Amendments, Report adopted, 100 ; read 3 ^o , passed, and sent to Council, 114 ; returned with amendments, 275 ; Order of the Day postponed, 297, 304 ; Amendments considered, agreed to and disagreed to, and reported, 316 ; recommitted, Amendment amended, reported, and Report adopted, 316 ; Message to Council, 318 ; Message from Council agreeing and insisting, 380 ; House in Committee to consider Amendments, 404 ; Committee insists upon disagreement from Council's Amendment, 405 ; Message to Council to that effect, and requesting Free Conference, 405 ; Message from Council agreeing, 421 ; Conference held in back library, and <i>Sir Henry Parkes</i> reported on return, 425 ; Motion made (<i>Sir Henry Parkes</i>) for Committee of the Whole to consider steps to be taken in respect of recent proceedings, 454 ; House in Committee and Resolution agreed to, 454 ; Message to Council, 454 ; Message from Council informing of its course in not considering the report of its own Managers of the Free Conference on the disagreements between the two Houses, reported by <i>Mr. Speaker</i> , and removed from the records of the Assembly on Motion of <i>Sir Henry Parkes</i> , 511	2	3
PARRAMATTA LUNATIC ASYLUM :— Report on, laid on Table, 220	3	907
Do. for 1878, laid on Table, 310	3	917
Report on Food supplied to, and Gaol, laid on Table, 482	7	673
Memorial of Attendants regarding evidence given as to the quality of Food supplied, laid on Table, 555	3	923

REFERENCES TO THE VOTES AND PROCEEDINGS, VOL. I.—SESSION 1878-9.	PAPERS.	
	VOL.	PAGE.
P		
PARRAMATTA TOWN HALL BILL :—		
Petition presented (<i>Mr. Taylor</i>) for leave to bring in, 6; leave given, presented and read 1 ^o , 12; referred to Select Committee, 22; Report brought up, 71; Order of the Day postponed, 91; read 2 ^o , committed, reported without Amendment, and Report adopted, 153; read 3 ^o , passed, and sent to Council, 157; returned with Amendments, 204; Order of the Day postponed, 215, 220; Amendments agreed to, and Message to Council, 232; Assent reported, 249.	7	803
PASTORAL AND AGRICULTURAL ASSOCIATIONS (See "CROWN LANDS.")		
PASTORAL LEASE (See "CROWN LANDS.")		
PATENTS :—		
Motion made (<i>Captain Onslow</i>) for a Return showing number issued, sum paid as fees, and names of persons receiving the fees, 305; Return to Order, laid on Table, 383	6	1127
Return to Address, of 1861, in continuation, laid on Table, 555	6	937
PATENT BILL :—		
Motion made (<i>Mr. Macintosh</i>) for Committee of Whole, and for Address to Governor for Message recommending, 8; House in Committee, and Resolution agreed to, Bill presented and read 1 ^o , 23; Order of the Day postponed, 47; Message from Governor recommending, 51; read 2 ^o and committed, 78; House again in Committee, 105; Order of the Day postponed, 153, 216, 221, 261; House again in Committee, 296; Order of the Day discharged and Bill withdrawn, 370	6	1125
PATENTS LAW AMENDMENT BILL :—		
Motion made (<i>Mr. Windeyer</i>) for Committee of the Whole, 337; House in Committee and Resolution agreed to, 343; Order of the Day for 2 ^o postponed, 355; read 2 ^o , committed, reported with an Amendment, and Report adopted, 358; read 3 ^o , and sent to Council, 365; returned with Amendments, 444; Amendments agreed to, and Message to Council, 573; Assent reported, 588.		
PATTERSON, HEW BLACKWOOD (See "CROWN LANDS.")		
PATTERSON, ROBERT (See "PUCKA WIDGEE RUN.")		
"Patriarch" (See "CIMBA, SHIP.")		
PEARD, CONSTABLE (See "POLICE.")		
PEEL RIVER LAND AND MINERAL COMPANY :—		
Motion made (<i>Mr. Copeland</i>) for copy of the original Crown grant to, 354; Return to Order, laid on Table, 383	4	847
PENRITH (See "BY-LAWS.")		
PENSIONERS (See "CIVIL SERVICE PENSIONERS DISQUALIFICATION BILL.")		
PERFUMED SPIRITS :—		
Papers respecting seizure of, imported by Messrs. Hordern & Sons, laid on Table, 603	2	1247
"PERICLES" (See "IMMIGRATION.")		
"PETERBOROUGH" (See "IMMIGRATION.")		
PETITIONS :—		
Motion made (<i>Mr. Greenwood</i>) that in future the Clerk as a matter of course shall cause to be printed all Petitions (excepting Petitions for Private Bills) presented, unless otherwise ordered, provided that when several Petitions to the same effect are presented only one shall be printed, and a <i>précis</i> of the others entered thereon, 129.		
PILOT STEAMER "CAPTAIN COOK" :—		
Motion made (<i>Mr. Cameron</i>) for Select Committee to inquire into management of, 90; Report brought up, 628	4	1011
PITFALL AT WALLSEND COLLIERY (See "WALLSEND COLLIERY.")		
PITY, JOSIAH (See "CROWN LANDS.")		
PLEASURE GROUNDS (See "RESERVES.")		
PLURALITY OF OFFICES (See "CIVIL SERVICE.")		
POINTS OF ORDER :—		
International Exhibition in Sydney (Powers of Committee to increase sum proposed in Resolution), 100.		
Town Clock, Deniliquin (Motion submitted twice in one Session), 172.		
Bridge across the Myall River, at Bulahdelah (reading books or newspapers), 233.		
Supreme Court (Additional Judge) Bill (clause within the title and scope of the Bill), 355.		
Chinese Immigration Regulation Bill (clause within the title and scope of the Bill), 359.		
Grants of land held by Sir Daniel Cooper (motion involving a charge upon the Public Revenue), 394.		
Impounding Act Amendment Bill (new clause inserted by Council, involving a charge upon the Public Revenue), 412.		
POINT PIPER ROAD (See "ROADS.")		
POLICE :—		
WILLIAM STAFFORD :—		
Petition from, relative to his dismissal from the Police Force, and praying an investigation, presented, 21; ordered to be printed, 26		577
Further papers relative to the case of, laid on Table, 146		579
DISTRICT OF CAMPBELLTOWN :—		
Return to Order (<i>Session 1877-8</i>), laid on Table, 51		603
MAGISTRATE, BINGERA, MR. P. BROUGHAM :—		
Return to Order (<i>Session 1877-8</i>), laid on Table, 51; Motion made (<i>Mr. McElhone</i>) that papers be printed, carried on Division, 89		357
Motion made (<i>Mr. McElhone</i>) in reference to position of as, and Debate interrupted by Government business, 523; Debate resumed and Motion negatived, 534.		
CLAIM OF MESSRS. KELLEHER AND FITZGERALD :—		
Motion made (<i>Mr. Greenwood</i>) for Select Committee to inquire into, 52; Return to Address (<i>Session 1877-8</i>), referred, 74.	3	
COMPENSATION TO MRS. WALLINGS :—		
Motion made (<i>Mr. Hurley, Hartley</i>) for Committee of the Whole to consider Address, &c., that £500 be placed on Estimates as, widow of late Senior-sergeant Wallings, shot on duty, and by leave withdrawn, 90		
FORCE :—		
Return showing the strength and distribution, on 30th September, 1878, laid on Table, 105		571
DEPARTMENT :—		
Report on, for 1878, laid on Table, 254		565
CLAIM OF CONSTABLE RICHARD PEARD :—		
Motion made (<i>Mr. Teece</i>) for Select Committee to inquire into, to be placed on Police Superannuation Fund, 142; Motion made (<i>Mr. Teece</i>) to refer documents in connection with, 318.		

REFERENCES TO THE VOTES AND PROCEEDINGS, VOL. I—SESSION 1878-9.		PAPERS.	
		VOL.	PAGE.
P			
POLICE (continued):—			
JOHN BYRON:—			
Petition from, praying for consideration of his case, presented, 332		3	627
MAGISTRATES:—			
Motion made (<i>Mr. Jacob</i>) for Return showing number of, either police, or stipendiary, who have exercised the power of two Magistrates, 417.			
MAGISTRATE, WAGGA WAGGA (See "BAYLISS, MR. HENRY.")			
RAYMOND TERRACE:—			
Motion made (<i>Mr. Jacob</i>) for correspondence, minutes, reports, &c., relating to charges made by, against one Macpherson, 565; Return to Address, laid on Table, 655		3	607
PORT DARWIN CABLE (See "TELEGRAPH.")			
PORT JACKSON, ALIENATED CROWN LANDS:—			
Further Return (<i>in part</i>) to Order (<i>Session 1875-6</i>), laid on Table, 2		4	917
Return (<i>in part</i>) to Order (<i>Session 1876-7</i>), Reclamation of Land, laid on Table, 2		4	913
PORTS OF SYDNEY AND NEWCASTLE:—			
Motion made (<i>Mr. Cameron</i>) for Return showing names of vessels cleared at, for ports coming under the agreement with Victoria for the maintenance of certain light-houses, 510; Return (<i>in part</i>) to Order, laid on Table, 663		4	975
POSTAL (See also "TELEGRAPH.") :—			
Twenty-third Annual Report of the Postmaster General on the Department under his Ministerial control, being for 1877, laid on Table, 2			457
Twenty-fourth Annual Report of the Postmaster General on the Department under his Ministerial control, being for 1878, laid on Table, 538			515
LAND ADJOINING GENERAL POST OFFICE:—			
Further correspondence respecting, laid on Table, 60			691
SAN FRANCISCO MAIL SERVICE:—			
Further papers respecting, laid on Table, 133			573
FRANKING PARLIAMENTARY CORRESPONDENCE (See "PARLIAMENT.")			
GENERAL UNION:—			
Papers relating to the treaty, signed at Berne, on 9th October, 1874, in reference to the formation of a, laid on Table, 205		5	615
COMMUNICATION BETWEEN UNITED KINGDOM AND THE AUSTRALASIAN COLONIES:—			
Correspondence concerning arrangements with the Imperial Government respecting, laid on Table, 205; further correspondence, laid on Table, 379			589, 611
POST AND TELEGRAPH OFFICE, MOLONG:—			
Motion made (<i>Mr. J. Davies</i>) for copies of papers, &c., respecting the selection of a site for, 323; Return to Order, laid on Table, 603			643
OFFICE, GLEN ALICE:—			
Motion made (<i>Mr. Hurley, Hartley</i>) for copies of papers, letters, or reports, &c., having reference to alleged misconduct of persons in charge of, 510.			
POSTAGES ON OUTWARD AUSTRALIAN AND NEW ZEALAND MAILS:—			
Motion made (<i>Mr. Burns</i>) for correspondence respecting the change in the amount payable to the English postal authorities, 525; Return to Order, laid on Table, 588			581
POUNDS, SITES FOR:—			
Correspondence between the Bench at Glen Innes and the Department of Mines respecting, laid on Table, 583		7	921
POWERS AND PRIVILEGES (See "PARLIAMENT.")			
PRECEDENCE:—			
OF GOVERNMENT BUSINESS:—			
Sessional Order, passed, 7.			
Sessional Order, relating to after 7 o'clock on Tuesday, 289.			
OF GENERAL BUSINESS:—			
Sessional Order, passed, 7.			
PRESBYTERIAN CHAPLAIN, BERRIMA GAOL:—			
Motion made (<i>Mr. Garrett</i>) for correspondence and applications having reference to, 655.			
PRE-EMPTIVE LEASE (See "CROWN LANDS.")			
PRESS BILL:—			
Motion made (<i>Mr. W. Davies</i>) for leave to bring in, 31; presented and read 1 ^o , 111; Order of the Day postponed, 173, 215, 220, 261, 296; Motion made for, 2 ^o ; and Debate adjourned, 328; Debate resumed and House counted out, 389.			
PREVIOUS QUESTION:—			
Motion made for, and withdrawn, 172, 284, 492.			
Resolved in the affirmative, 618.			
PRIMITIVE METHODIST CHURCH TEMPORALITIES BILL:—			
Petition presented (<i>Mr. J. Davies</i>) for leave to bring in, 109; leave given, 114; presented and read 1 ^o , 114; referred to Select Committee, 122; Report brought up, 149; Order of the Day postponed, 216; read 2 ^o , committed, reported without Amendment, and Report adopted, 221; read 3 ^o , passed, and sent to Council, 224; returned with Amendments 268; Council's Amendments agreed to and Message to Council, 285; Assent reported, 306		7	819
PRINCESS ALICE OF HESSE, HER ROYAL HIGHNESS:—			
ADDRESS OF CONDOLENCE WITH HER MAJESTY THE QUEEN ON DECEASE OF:—			
Motion made (<i>Mr. Farnell</i>) for Select Committee to prepare, Committee retired, Address brought up and adopted, 209, Speaker reports presentation of to the Governor, 211.			
PRINTING (See "PETITIONS.")			
PRINTING FOR MR. HEATON ("See "MEN OF THE TIME, &c.")			
PRISONS (See also "GAOLS") :—			
LECTURES IN DARLINGHURST GAOL:—			
Motion made (<i>Mr. Hurley, Hartley</i>) that the Rotunda, Darlinghurst Gaol, should be opened on Saturdays for, and negatived, 17; Correspondence laid on Table, 188		3	1395
COMPTROLLER GENERAL OF:—			
Annual Report from, for 1877, laid on Table, 119		3	1029
PRIVILEGE:—			
Disorder by Mr. Charles Kidman during Debate, 342, 376, 398.			
PRIVILEGES ("See "PARLIAMENT.")			
PRIVY COUNCIL, APPEALS TO:—			
Return to Address (<i>Session 1877-8</i>), laid on Table, 51		3	201
PROBATION:—			
House informed of day of, 659.			
Speech made in Council, 667.			

REFERENCES TO THE VOTES AND PROCEEDINGS, VOL. I—SESSION 1878-9.	PAPERS.	
	VOL.	PAGE.
P		
PROSPECTING FOR GOLD :—		
Regulations relating to the Vote in aid of, laid on Table, 2	4	737
Return showing expenditure on account of, laid on Table, 515.		
PUBLIC (See also "RESERVES.") :—		
VEHICLES REGULATION ACT OF 1873 (See also "NEWCASTLE.") :—		
By-laws under, laid on Table. 2 ⁽²⁾ , 81, 146, 207, 564	7	227
ACCOUNTS :—		
Abstracts of, of the Colony for 1877, with Auditor General's Report thereon, laid on Table, 5	2	885
Do. do. for 1878, do. do. do. 645	2	1017
Explanatory Statement of, as Embodied in the Ways and Means for 1879, laid on Table, 129, 269	2	719, 873
Report of Board of Audit on, laid on Table, 220	2	1163
WHARFS (See "TONNAGE RATES and PUBLIC WHARFS AMENDMENT BILL.")		
TANKS IN THE GWYDIR ELECTORATE :—		
Motion made (<i>Mr. Dangar</i>) for all Correspondence that has taken place relative to the construction and maintenance of, 245.		
CHARITIES :—		
Report of Inspector for 1878, laid on Table, 564	3	945
EDUCATION (See "EDUCATION.")		
INSTRUCTION (See "EDUCATION.")		
SCHOOLS (See "EDUCATION.")		
LIBRARY :—		
Report for 1878, laid on Table, 388	3	851
By-laws of St. Peters, laid on Table, 549	7	175
Do. The Glebe, 663.	7	177
WORKS AND BUILDINGS :—		
Return showing amounts previously voted for, on pages 108 to 112, on the Estimates for 1879, laid on Table, 434	2	1197
LOAN :—		
Motion made (<i>Mr. Greenwood</i>) for correspondence respecting, recently placed on the market at the minimum of 97 per cent., 510; Return to Order, laid on Table, 603; Further Return laid on Table, 650	2	1171, 1181
PUBLICANS ACT (See "SALE OF LIQUORS LICENSING ACT AMENDMENT BILL.")		
PUBLICAN'S LICENSE :—		
Copy of Opinion of Attorney General on Mr. Bernard Bogan's application for removal of, laid on Table, 450		975
Copy of Opinion of Attorney General on the power of two Justices to grant transfer of, laid on Table, 603		973
PUBLICANS LICENSING ACT :—		
Petition from Clergy and Laity of Church of England, Diocese of Bathurst, praying for an amendment of the law, presented and read by Clerk, 542		969
Petition from Public Meeting, Orange, in favour of transferring the power of licensing from the Magistracy to the people, presented, 583	7	977
PUBLIC VEHICLES REGULATION ACT AMENDMENT BILL :—		
Motion made (<i>Mr. Driver</i>) for leave to bring in, 568; presented and read 1 ^o , 569; read 2 ^o and committed, 577; Chairman reported no Quorum and House counted out, 577.		
PUBLIC VEHICLES REGULATION ACT REPEAL BILL :—		
Motion made (<i>Mr. J. Davies</i>) for leave to bring in, 6; presented and read 1 ^o , 17; Order of the Day postponed, 37; Order of the Day discharged and Bill withdrawn, 47.		
Petition from Waggonette Owners of Sydney against, presented, 46; ordered to be printed, 52...		251
Do. Omnibus Owners of Sydney do. 46; do. 51 ...		253
PUBLIC WORKS LOAN BILL :—		
Ordered (<i>Mr. Watson</i>) to be brought in, 647; presented and read 1 ^o , 647; read 2 ^o and committed, 650; reported with an Amendment and Report adopted, 651; read 3 ^o and Message to Council, 655; returned without Amendment, 666; Assented to in Council Chamber, 667.		
PUCKA WIDGEE RUN :—		
Motion made (<i>Mr. Barbour</i>) for all applications under Conditional Improvement and Improvement Clauses of the Land Act, by Robert Patterson, conflicting with Conditional Purchase application by William O'Dwyer, at Deniliquin, 1876, and all Papers connected therewith, 279.		
Q		
QUARTER SESSIONS AND DISTRICT COURTS AT BREWARRINA :—		
Motion made (<i>Mr. Dangar</i>) for copy of Mr. District Court Judge Murray's Report respecting holding of, 582; Return to Address, laid on Table, 635	3	349
QUARTER SESSIONS, RICHMOND RIVER :—		
Motion made (<i>Mr. Driver</i>) for copies of petitions, letters, &c., relative to the establishment of, 471.		
QUAT QUATTA RESERVE :—		
Motion made (<i>Mr. McElhone</i>) for copies of correspondence, &c., in reference to the claim of J. Wallace, 315.		
QUEEN CHARLOTTE VALE CREEK (See "BRIDGES.")		
QUEEN, HER MAJESTY THE, ADDRESS OF CONDOLENCE TO, ON DEATH OF PRINCESS ALICE OF HESSE :—		
Motion made (<i>Mr. Farnell</i>) for Select Committee to prepare, Committee retired, Address brought up and adopted by the House, 209; Speaker reports presentation of, to His Excellency the Governor, 211.		
QUESTIONS AND ANSWERS :—		
Sessional Order respecting entry of, on Votes and Proceedings, passed, 8.		

Q

QUESTIONS :—

- ABATTOIRS, GLEBE ISLAND :—
Regulations for slaughtering, 85.
Disposal of Offal, 409, 650.
Allegations in the *Herald* as to management of, 433.
Appointment of Mr. Bruce on Commission, 439.
Pay of Commissioners, 508, 514, 522.
Papers in reference to expenditure of money at, 616.
- ABBOTT, MR. T. K., Police Magistrate, Gunnedah, 611.
- ABERGLASSLYN :—Public School, 362.
- ABORIGINES :—Reserve for, Bunnerong, 155.
- ACCOUNTS :—Explanatory Statement of Public, 137.
- ACTING JUDGES :—Offers of appointments, 458, 645.
- ADAMS, MR. F. :—Conditional Purchase of, at Scone, 496.
- ADDITIONAL JUDGE FOR SUPREME COURT :—Appointment of, 526.
- ADELONG :—Common, 145.
- ADMINISTRATION OF JUSTICE (See also "POLICE") :—
Quarter Sessions, Inverell, 34.
Mr. Rogers, Crown Prosecutor, 55.
Case against Mr. Neil Harper, J.P., 65.
Mr. P. Brougham, P.M., Bingera, 20, 80.
Administration of Intestate Estate of late Andrew McLlwaine, 80.
Patrick and Michael Griffin, 86.
Mr. Giles, C.P.S., Bombala, 87.
Third District Court, Goulburn, 104.
Mr. David Ferguson's appointment as J.P., 228.
Police Magistrate and Quarter Sessions, Brewarrina, 232.
Precedence of Civil over Criminal Cases, 232.
Whipping Prisoners for Larrikinism, 305.
Death of Patrick Cleary, *alias* Doyle, 309.
Inquest on the body of Mrs. Brown, 379.
Prisoners under committal at Wellington, 388.
Mr. District Court Judge Meymott, 401.
Police and Stipendiary Magistrates, 401, 417.
Clerks of Petty Sessions sitting on the Bench, 417.
Prisoners committed from Wellington to Mudgee, 420.
Prisoners under sentence, 424.
Acting Judges, 458.
Charge of assault against Mr. Thomas Johnston, J.P., 469.
The Hatfield bushrangers, 507.
Business of the Supreme Court, 508.
Charles and Thomas Love charged with arson at Bombala, 519.
The case of Wilkinson and Medcalf, 567.
The case of Robert Webster and George W. Warden, 654, 665.
Mr. Isaac Shepherd, 662.
Banco and Jury Courts, 666.
- ADVANCES :—
To the Government by Bank of New South Wales, 76.
To Loan Funds, 419.
- ADVERTISEMENTS :—Government, in newspapers, 34, 165, 580.
- AGENT GENERAL FOR THE COLONY :—Letter of Mr. Forster in the *Evening News*, 615.
- AGRICULTURAL SOCIETIES :—
Grant of land to, 415, 424.
Grants to, 553.
- "AJAX" :—
Pay of men, 151.
Collision of, with ship in Newcastle Harbour, 447.
- ALBURY :—Gaal, 313.
- ALIGNMENT OF STREETS :—Gulgong, 169.
- ALLEN, SIR G. W. :—Land purchased by, fronting Sydney Harbour, 232.
- ALLMAN, MR. :—Delay in paying road contracts by, 538.
- ANGLEDOOL :—Post Office at, 420.
- ANIMALS PROTECTION BILL :—Drafting of, 396, 518, 525.
- APPRAISERS :—
Mr. Morris Asher, 25.
Mr. John Edwards, 152.
Appointment of, 402.
Leave of absence to Mr. York, 404.
Case of Messrs. Clark and Guest, 416.
Land at Circular Quay, 518.
Of land applied for by W. Officer, and Woolsely, Gibbs, and Co., 554.
- APPROACHES :—
Bridge at Windsor, 103.
Howlong Punt, 139.
Wahgunyah Bridge, 140, 611.
Belmore Bridge, West Maitland, 232.
Railway Station, Gunnedah, 301.
Jacob and Joseph Creek Bridge, 378.
Goondiwindi Bridge, 382.
Hexham Punt, 470.
- ARMIDALE :—Bridge in Marsh-street, 49, 65, 70. (?)
- ARMSTRONG, MR. DAVID H. :—Leave of absence to, 402.

QUESTIONS (continued) :—

- ARRIVALS :—In Sydney by sea, and proportion quarantined, 271.
- ARTILLERY :—
Practical gun drill of force, 602.
Forage allowance to officers, 662.
- ASHER, MR. MORRIS :—Employment of, by Government, 26.
- ASHFIELD :—Public Park at, 600.
- ASYLUMS :—
Maintenance of relatives, 53.
Liverpool, death rate at, 263, 367.
Randwick and Benevolent, 287.
- ATTORNEY GENERAL :—
Opinion of, on additional Conditional Purchases, 387.
Opinion of on transfer of a publican's license, 448, 525(?).
Fees received by, and his Secretary, 644.
- AUCTION PURCHASES :—
Of Crown lands, 76.
E. D. Ogilvie's, county of Drake, 133.
William Coggan, 321, 336.
- AUCTION SELECTION :—Lands withdrawn from, 564.
- AUDIT ACT :—Statutory discharges and receipts of payments in arrear, 76.
- AUSTRALASIAN STEAM NAVIGATION COMPANY :—
Reclamation of land by, Darling Harbour, 21, 30, 347, 383.
Pile-driving by, at Pyrmont, 70, 79.
Erection of Fence at Pyrmont, 347.
- AUSTRALIAN CRICKETERS :—Payment of salaries to, during absence, 397.
- AUSTRALIAN DICTIONARY OF DATES (See "DICTIONARY OF DATES.")
- AUSTRALIAN WINE :—
British duties on, 381.
Exported to English and New Zealand ports, 453.
- AYRES, JOSEPH :—Conditional purchase of, 429.
- BACK CREEK :—
Cattle yards at station, 50.
Telegraph line to Rockley, 50.
Site for school, 331.
School, 408.
Water reserve at, 530.
Court-house, 530.
- BAILIFFS :—
Fees to District Court, 118.
Fees to Insolvent Court, 521.
Mr. Booty, Insolvent Court, 600.
- "BALCLUTHA" :—Boarding of, by Customs Officer, 163.
- BALDEROGERA RUN :—Withdrawal of, from lease, 317.
- BANCO COURT :—Hearing of causes in, 666.
- BAND :—In Hyde Park, 273, 448.
- BANKS :—
Advance to Government by Bank of New South Wales, 76.
Liabilities Publication Act, 86.
Publication of Assets and Liabilities, 99.
Savings, 117.
Letters of Credit on Bank of New South Wales, London, 145.
Government Account, 244.
Renewing and Modifying present Agreement, 513.
- BARADINE :—
Courts of Petty Sessions, 325.
Court-room, 477, 576.
- BARON, MRS. :—Compensation to, 30.
- BARRABA :—
Road to Gunnedah, 93, 374, 401, 447, 591.
Court-house, 530.
Telegraph line to Bingera, 661.
- BARRACK WALL :—
Opening of Green's Road and taking down of, 50.
Paddington, and Toll-house, 348.
- BARRATTA RUN :—
Conditional Purchase on, 121, 139.
Enclosing Stock Routes, 171.
Appraisal of, 345.
Improvements on, 346.
- BARRINGTON :—
Bridge over River, 113.
Gold Field, 169, 337, 471, 485.
- BARRENJOEY :—Light-house, 277.
- BARWIN RIVER :—
Clearing and Snagging, 175.
Reserves, 176.
Bridge, 453, 661.
- BATHURST :—
Mr. J. B. Richards, late Land Agent at, 519.
Telegram from, on Sunday, 639.

Q

QUESTIONS (*continued*) :—

- BATHURST, LAKE** :—
Road from Tarago, *via*, to Boro Road, 258.
Reserves at, 258.
- BAYLEY, MR. MARSHALL** :—Appraisement by, of land at Circular Quay, 518.
- BAYLY, MR. N. P.** :—Land taken up by, on the Pipe-clay Gold Fields, 579.
- BEACON** :—Port Macquarie, 192.
- BEAZLEY** :—Conditional Purchase of, at Albury, 60.
- BECK, MR. JAMES** :—Refund to, 351.
- BEER'S DISABILITIES BILL** :—Mr. W. H. Cooper's Letter respecting his Speech at Bar of the House, 156.
- BELL, MR. GEORGE** :—Road through Conditional Purchase of, Narrabri, 278.
- BELLEVUE HILL, WAVERLEY** :—Reserve on, 557, 644.
- BELMORE BRIDGE** :—Approaches to, 232.
- BENDEMEER** :—Land purchased by Frederick Peters, 166.
- BENEVOLENT ASYLUM** :—
Randwick Asylum, 287, 586.
Christening of Foundlings, 430, 509.
- BENNETT, MARGARET EMILY** :—Conditional Purchase of, 415, 514.
- BERNEY, MR.** :—Acting Collector of Customs, 481, 526.
- BERTHING SHIPS** :—At the Circular Quay, 133.
- BIBBENLUKE** :—Road Bombala to, 156.
- BIG RIVER** :—
Bridge, 29, 175, 408, 585.
Boat for Moree, 563.
- BILLABONG EAST RUN** :—Withdrawal of from lease, 317.
- BINALONG** :—Court-house, 43.
- BINGERA** :—
Mr. P. Brougham, Police Magistrate, 20, 80.
Bridge over Big River, at 29, 175, 408, 585.
Post and Telegraph Office, 45.
Gold Fields Reserve, 45, 171.
Lock-up to be used as Gaol, 180, 340.
George Rutcliffe's Conditional Purchase, 264.
Land Sale, 387.
Police Barracks and Quarters, 388.
Court-house, 415.
Police Paddock, 424.
- BLACKVILLE** :—
Site for Public School, 188.
Court of Petty Sessions, 191.
- BLACKMAN, MR.** :—Payment for Overtime Work, 495.
- BLACK TRACKERS** :—For hunting down the Kelly gang, 592.
- BLACKWOOD v. DOBBIN** :—Decision of the Supreme Court in, 33.
- BLANCHFIELD, JOHN** :—Conditional Purchase of, 557, 639.
- BLANKETS** :—Correspondence respecting supply of, 616.
- BLAYNEY** :—
Railway Trial Survey to Wilcannia, 103.
Post and Telegraph Office, 257.
- BLAXLAND'S GRANT, PARRAMATTA RIVER** :—Purchase of Reserve on, 433.
- BLOXSOM, MR.** :—Lessee of Ranger's Valley and Dundee Runs, 567, 580.
- BLUE MOUNTAINS** :—
Railway Station, 263, 416.
Mr. Hay's Conditional Purchase, 282.
Train to, 335.
Main Western Road, 335.
- BOATS** :—For Moree, Goangora, &c., 369, 563.
- BOATRACE** :—Conduct of Masters of Steam Vessels at, 30.
- BOBULA CREEK** :—Bridge over, 443.
- BOGGABILLA** :—Police for, and Engonia, 73.
- BOGGABILL RUN** :—Particulars of holding of, 36.
- BOGAN, BERNARD** :—Application of for Removal of Publican's License, 448, 525^(?).
- BOGAN RIVER** :—Bridge over, 368.
- BOKHARA** :—
Court-house at, or Gadooga, 85.
Allotments in Township, 428.
- BOMBALA** :—
Court-house, 40, 108, 514.
Mr. Giles, Clerk of Petty Sessions, 87.
Road to Bibbenluke, 156.
Cases heard before Messrs. Edwards and Joseph, 326.
- BOMERA CREEK** :—Bridges over, and Manilla River, 43.
- BOOPY, MR., BAILIFF IN INSOLVENT COURT** :—Returns in Regard to, 600.
- BORDER DUTIES** :—
Between New South Wales and Victoria, South Australia and Queensland, 34.
Between Victoria and New South Wales, 283, 368.
Between New South Wales and Queensland, 538.
- BORO** :—Road, *via* Lake Bathurst to Braidwood Road, at Tarago, 258.

QUESTIONS (*continued*) :—

- BOTANY** :—
Fortifications, 166.
Reserves, 176, 292.
Telegraph Station, 580.
- BOTANICAL GARDENS** :—Employés at, 171.
- BOUNDARIES** :—Between Queensland and New South Wales, 55.
- BOURKE** :—Post and Telegraph Office, 59.
- BOWLING ALLEY POINT** :—Road between, and Nundle, 378.
- BRADLEY'S HEAD** :—Quarantine Reserve, 403.
- BRAIDWOOD** :—
Road to Windellima, 227.
Court-house, 487.
- BRANXTON** :—Courthouse, 248, 521, 628.
- BREAKWATER** :—At Lake Macquarie, 249.
- BREWARRINA** :—
Police, 104, 419.
Clerk of Petty Sessions, 118, 336.
Land Office, 176, 433.
Land Sales at Yetman, Boggabri, Moree, and, 191.
Police Magistrate and Quarter Sessions, 232.
District Courts and Quarter Sessions, 377.
Court-house and Lock-up, 576.
- BRIDGES** :—
Over Big River, Bingera, 29, 175, 408, 585.
Gwydir River, at Bundarra, 43, 223, 453.
Bomera Creek, and over Manilla River, Barraba, 43.
At Armidale, in Marsh-street, 49, 65, 70^(?).
Campbell's River, 50.
River Murray, at Howlong, 70, 329, 612.
Approaches to, at Windsor, 103.
Fitzroy, Windsor, 103.
Over Myall River, at Bulahdelah, 113.
Gloucester River, 113.
Barrington, 113.
At Merriwa and Collaroy, 122.
Tolls on Roads, and Ferries, 139, 237, 401.
Approaches to Wahgunyah, 140, 611.
On Road, Gunning to Manaro, 151.
At Croydon, 171, 176.
Williams River, 175, 191, 347, 479, 486.
Parramatta River and Iron Cove, 179, 441.
Mungindi and Goondiwindi, 187, 362.
Williams River, at Seaham, 228.
Approaches to Belmore, West Maitland, 232.
Westbrook, near Singleton, 237.
Fish River, at O'Connell, 238, 300.
Footpassenger over Parramatta River, 244, 575.
Namoi, at Manilla, 258, 382, 616.
Over the Castlereagh, at Coonamble, 336.
Wahgunyah, at Corowa, 347, 611.
Over the Namoi, 348.
Over Gulargumbone Creek, 368.
Over the Bogan, at Gongolgan, 368.
Over the Namoi, at Gunnedah, 374.
Over the Gap Creek, at Currabubula, 374, 409.
Approaches to, over Jacob and Joseph Creek, 378.
Myall Creek, 382.
Approaches to Goondawindi, 382.
Wagga Wagga, temporary, 388.
Across the Shoalhaven River, 409.
Muswellbrook, 424.
Over Bobula and Cobbygar Creeks, 443.
Dangar, over the Barwin River, 453, 661.
Over Jacob and Joseph Creek, 461.
Merriwa, Collaroy, and Cassilis, 571.
Cope's Creek, 572.
Parramatta Park, 575.
Over Parramatta River, 596.
Road Votes, expended on, 608.
At Tumberumba, 611.
Over Waterloo Creek, at Millie, 644.
Over the Cockburn River, at Tamworth, 654.
Over the Namoi, at Walgett, 661.
- BRISBANE VALLEY** :—Reserve 264, 278.
- BROCKLESBY WEST** :—Water Tanks for, 180.
- BROUGHAM, MR. P.** :—Police Magistrate, Bingera, 20, 80.
- BROUGHTON, MR. THOMAS** :—
Surveys for, 271.
Land purchases by, Muttama Run, 282, 283, 296.
- BROWN & RICHARDSON, MESSRS.** :—Obstruction to Road by, 469.
- BROWN, H. H., & Co.** :—Land Agents, 66.
- BROWN, MRS.** :—Inquest on the body of, 379.
- BRUCE, MR., CHIEF INSPECTOR OF STOCK** :—
Appointment of on Glebe Island Abattoir Commission, 489.
Forage allowance, 541.

QUESTIONS (continued) :—

- BULAHDELAH :—
 Bridge over Myall River, 113.
 Gold Field, 408.
- BULLI :—Post Office, 383.
- BULLEWA CREEK :—Reserve at, for quarrying Freestone, 231.
- BUNDARRA :—Bridge over Gwydir River, 43, 223, 453.
- BUNNERONG :—
 Destruction by Brickmakers of Road, 57.
 Road, Phelps's Grant to, 155.
 Aborigines Reserve, 155.
- BURROWA :—Commons, 176.
- BURWOOD :—Public School, 662.
- BUSHRANGERS, HATFIELD :—Reprieve of, 507.
- BYRON, JOHN :—Consideration of Petition of, 429.
- CABLE (See "TELEGRAPH.")
- CAMERON, MR. :—Interpreter of Oriental Languages, 429.
- CAMPBELL, HON. ALEXANDER :—Land offered to Government by, at Moss Vale, 579.
- CAMPBELL'S RIVER :—Bridge, 50.
- CAMPING PLACES :—For teams near Inland towns, 121.
- CANCELLATION :—Of Reserve in Murrumbidgee District, 159.
- CANNONBAR :—Telegraph Office, 146.
- CANTERBURY :—Road to Salt Pan Creek, 323.
- CAPEL, JOHN :—Conditional Purchase of, Piedmont, 93, 453, 561.
- CAPERTEE :—Road, Rylstone, *via* Bogie, to, 241.
- CARCOAR :—Post and Telegraph Office, 228.
- CARNE & CROPPER :—Inspectors of Conditional Purchases, 347, 462.
- CASEY, DENIS :—Application of, for a Lease at Flying Fox Island, 628.
- CASSILIS :—
 District Court, 571.
 Bridge, 571.
- CATTLE SALE YARDS :—
 For Corporation, between Homebush and Haslem's Creek, 612.
 Grant for Site, near Homebush, 645.
- CATTLE YARDS :—Back Creek Railway Station, 50.
- CAVANAGH, MR. :—Conditional Purchase of, Coonabarran, 85, 258.
- CAWLEY, WILSON, & FREW, MESSRS. :—Compensation to, 80.
- CEMETERIES :—
 Presbyterian, at Liverpool, 391.
 In The Gwydir Electorate, 429.
- CENTRAL POLICE COURT :—
 Number of Cases tried at, 454.
 Forgery by a Clerk connected with, 602.
- CHANDOS STREET, GUNNEDAH :—Road, 491.
- CHAPLAIN :—Of Darlinghurst Gaol, 254.
- CHAPMAN, WILLIAM :—Conditional Purchase, 139, 167.
- CHARITIES, PUBLIC :—
 Laying of Report on Table, 564.
 Reserve Fund of Benevolent Asylum and Randwick Asylum, 586.
- "CHIMBORAZO," S.S. :—Suspension of Certificate of Captain Vine Hall, 127.
- CHINESE, THE :—
 Estimated number in the Colony, 224.
 Miners Rights taken out by, 272.
 Anti-Chinese Meeting in Hyde Park, 273.
 Arrivals in Sydney by Sea and number quarantined, 281, 299.
- CHOWDER BAY :—Wharf, 482.
- CHURCHES :—
 Site for, at Larras Lake, 11.
 Payment of City Rates by, 554.
 Of England, Land for, Narrabri, 187.
- CHURCH AND SCHOOL LANDS :—
 Telegram to Dungog informing Land Agent, Dungog, that they could be conditionally purchased, 495.
 Upset price of, near Liverpool, 572.
- CIRCULAR QUAY :—
 Wharfage accommodation, 20, 253.
 Rates, 20.
 Rent for, 20.
 Berthing ships, 133.
 Appraisalment of Land, 518.
- CIRCULAR RESPECTING RESERVES ON RUNS :—Issue and Copy of, 563.
- CITY OF NEWCASTLE :—Mr. Matthews late Chief Officer, 40.
- CITY RATES :—Payment of by places of public worship, 554.

QUESTIONS (continued) :—

- CIVIL SERVICE (See also "RAILWAYS.") :—
 Mr. Greaves, District Surveyor, 15.
 Mr. P. Brougham, 20, 80.
 Mr. Morris Asher, 26.
 Mr. Crook, employed in Department of Justice, 26.
 Compensation to Mrs. Baron, 30.
 Mr. Rogers, Crown Prosecutor, 55.
 Plurality of Offices, Amounts received by each officer, 69.
 Travelling expenses of Mr. Cracknell, 80.
 Mr. Giles, C.P.S. Bombala, 87.
 Salaries of professional staff in office of Engineer-in-Chief for Railways, 108.
 Clerks in Auction Branch, Department of Lands, 117.
 Mr. W. M. Ollivier, employed in, 149.
 Increases of salaries proposed in Registrar General's Department, 156.
 Civil Servants as Directors of Companies, 167, 602, 649.
 Messrs. Eagar and Kelly, Customs Department, 170.
 Landing-waiters, 244.
 Mr. Hanrahan, late Assistant Land Agent at Dubbo, 247, 253.
 Mr. McCracken, late Accountant in Telegraph Department, 272, 363.
 Mr. C. Oliver, Lands Department, 281, 301, 315, 331, 374, 375, 554.
 Employment of Mr. Keele, 281.
 Inquiry into Lands and Survey Departments, 314, 448.
 Mr. Edwin Ryan, late Clerk of Petty Sessions, Mudgee, 314.
 Land Agent at Hay, 314.
 Additional Clerks in Conditional Purchase Branch, 331.
 Clerk of Petty Sessions, Brewarrina, 336.
 Mr. Parnell, Registrar General's Office, 336.
 Clerk of Petty Sessions, Walgett, 352.
 Mr. C. E. Phillips, 367.
 Appointment of a third Tide Surveyor, 396.
 Total number of persons employed in Lands Department, 396.
 Leave of absence to Mr. Jones, Land Titles Office, 397.
 Government Land Agents and Appraisers, 402.
 Mr. David H. Armstrong, 402.
 Mr. York, 404.
 Leave of absence to Collector of Customs, 449.
 Messrs. Day and Oliver, Mines Department, 454.
 Mr. Berney, Acting Collector of Customs, 481.
 Mr. Bruce, Chief Inspector of Stock, 489, 541.
 Mr. Blackman, Lands Department, 495.
 Mr. E. L. Scott, Sheriff's Office, 496.
 Government Stores Department, 508.
 Compensation to Mr. Richards, late Land Agent at Bathurst, 519.
 Mr. Greville, Insolvent Court, 521.
 Leave of absence to Acting Collector of Customs, 526.
 Temporary Clerks in Lands Department, 558.
 Forgery by a clerk connected with the Central Police Court, 602.
 Fees under Small Debts Court, 602.
 Insolvency of Civil Servants, 607.
 Mr. Weekes, Clerk of Petty Sessions, Gundagai, 608.
 Cost of Lands Department for 1868, 615.
 Removal of Mr. Dunshee, 616.
 Mr. P. F. Richardson, 640, 654.
 Fees received by Officers in the Crown Solicitor's Department, 643.
 Fees received by the Attorney General and his Secretary, 644.
 Statement made by Mr. Hoskins respecting Officers in Lands Department, 645, 659.
 Examiner of Coal Fields and Inspector of Collieries, 662.
- CLARENCE TOWN :—
 Roads, 15, 336, 357, 448.
 Post and Telegraph Office, 113.
 Bridge over Williams River, 175, 191.
- CLARK, MR. :—Documents in reference to Water Supply, Sydney and Suburbs, laid before, 79.
- CLARK AND GUEST, MESSRS. :—Appraisalment case between, 416.
- CLARKE AND MA. FAY, MESSRS. :—Lands sold to, 227.
- CLEARY, PATRICK :—Death of, 309.
- CLERKS (See "LANDS DEPARTMENT," also "RAILWAYS.")
- CLERKS OF PETTY SESSIONS :—
 Mr. Giles, Bombala, 87.
 For Brewarrina, 118, 336.
 Walgett, 352.
 Sitting on Bench, 417.
- CLOCK :—For Post and Telegraph Office, Parramatta, 244.

QUESTIONS (continued):—

- COAL :—
 Supply of, for Railway Purposes, 282, 292, 392.
 Trimming of, at Newcastle, 485, 507.
 Exported from Newcastle, 575.
 Examiner of Coal Fields, 662.
- COAL MINES REGULATION ACT :—Provisions of, 223.
- COBBYGAR CREEK :—Bridge, 443.
- COCKBURN RIVER :—Bridge at Tamworth, 654.
- COGGAN, WILLIAM :—Auction purchase of, 321, 336.
- COHEN'S CONDITIONAL PURCHASE :—Road from, at Uarbry Creek, 537.
- COLLA :—Public School, 299.
- COLLABROY :—Bridge, 122, 571.
- COLLIERY :—
 Mount Pleasant, 279.
 Inspector of Collieries, 632.
- COLLISION IN HARBOUR OF NEWCASTLE :—Between the "Ajax" and a ship, 447.
- COLLOPY, PRIVATE :—Volunteer Land Order, coming due to, deceased, 108.
- COMBES, MR. EDWARD :—
 Amount drawn by, as Commissioner to Paris Exhibition, 53.
 Pay and services of, 477, 587.
 Property of, coming to the Colony, 607, 616, 658.
- COMMISSION :—
 Royal, on Lands Department, 151, 192, 292, 314, 448.
 Of the Peace, Mr. David Ferguson, J.P., 228.
- COMMISSIONERS OF LAND COURTS :—Return respecting, 402.
- COMMONS :—
 Tamworth, 30.
 Gunnedah, permanent and temporary, 50, 109, 170.
 Depasturing Travelling Stock on, 64.
 Gundaroo, permanent and temporary, 83.
 Wagga Wagga, Mr. Donnelly's claim to purchase portion, 79, 85, 292.
 Adelong, 145.
 Burrowa, 176.
 Uralla, 278.
 Powers of Trustees, 310.
 Boundaries of, 339.
 Rylstone, 585.
 Warren, 586.
- COMMUNICATION BETWEEN SYDNEY AND ST. LEONARDS :—
 Better means of, 650.
- COMPENSATION :—
 To Mrs. Baron, 30.
 To C. R. Lillyman and others, 73.
 To Messrs. Larkins and Stevenson, 145.
- CONDITIONAL PURCHASES :—
 Of Layfield, Gray, and others, 16 (?).
 Parish of Banangalite, 21.
 Joseph Wright, Moor Creek, 30.
 On Gold Fields, 30, 257.
 Emily Connell Laycock, at Grafton, 40, 165.
 John Hoath, 49, 253.
 Henry Steadman, Forbes, 56.
 Patrick Nugent, 60.
 Mr. Beazley, at Albury, 60.
 Lapsed and forfeited, 63.
 M'Farlane and Deasy, 64.
 Jacob Steele, Bingera, 64.
 Mr. Thompson, parish of Maroota, 64.
 Miss Tickling, Warialda, 73.
 Robert Patterson, Narrabri, 73.
 Inspector of, for Gwydir District, 73.
 Mr. Cavanagh, Coonabarabran, 85, 258.
 John Capel, Piedmont, 93, 453, 561.
 Gall Bros., Moree, 93.
 Alexander Donaldson, Tamworth, 118.
 Alfred Wood, Bullewa Creek, 118.
 Forfeited, parishes of Barratta and Bannangalite, 121, 139.
 James O'Dwyer, parish of Moonbria, Pucka Widgee Run, 121.
 William Chapman, on Barratta Run, 139.
 M. A. and T. Lee, 155.
 Donaldson, Newcastle, 166.
 John Engelbrath, Singleton, 166.
 William Chapman, 167.
 Survey of, Namoi River District, 169.
 Mrs. Devine, at Albury, 180.
 Branch Lands Office, 192.
 Sale or transfer of land under, 241.
 Mineral, held by Messrs. Parkes and Sutherland, 247, 514, 545.

Q

QUESTIONS (continued):—

- CONDITIONAL PURCHASES (continued):—
 Legalization of, John Hoath, Walgett, and Jacob Steele, Bingera Gold Fields, 253.
 Robert Rae, Edgeroi, 258, 561.
 William Gallagher, Tunawana, 259.
 George Rutcliffe, Bingera, 264.
 Transfer of, 273.
 Road through George Bell's, Narrabri, 278.
 Mr. Hay, on the Blue Mountains, 282.
 A. T. Simpson, Yetman, 282.
 Inspector of, Warialda, 287.
 James Fletcher, Wee Waa, 300.
 Inspectors of, 301.
 James Monaghan, 314.
 Mr. Tonkins's, at Adelong, 321.
 Daniel Coward, 326.
 Patrick O'Neal, Binnaguy Run, 326.
 Amounts paid to temporary Inspectors, 329.
 Additional Clerks in Branch, 331.
 Mrs. Hall, 341.
 Mr. Waters, 341.
 Messrs. Cropper and Carne, 347, 462.
 Legalization of, 348.
 T. M. Cross, 351.
 Refund to Mr. Michael Power, 351.
 Refund to Mr. James Beck, 351.
 Philip Newman, 352.
 Additional, without further residence, 357.
 Thomas and John Field, 363.
 Mr. Salter, 369.
 At Yetman, 377.
 Thomas Love, at Bombala, 378.
 Opinion of Attorney General, on additional, 387.
 Robert Edwards, 402, 514.
 Gertrude Smith, 404.
 Peter Nowland, 410.
 Margaret Emily Bennett, 415, 514.
- Joseph Ayres, 429.
 Moneys due to temporary Inspectors, 434.
 John Molloy, 438.
 On Oregon Run, 477.
 Mr. Devory, at Mudgee or Cassilis, 478.
 William Pearse, 485.
 Mr. F. Adams's, at Scone, 496.
 Forfeited and liable to Forfeiture, 513.
 Mr. Rodgers's, Trialba, 513.
 Condo bolin Land Office, 409.
 Messrs. Wallace, 515, 665.
 On Reserve No. 41, 517.
 Thomas Foran, and Kelly and Woods, 519.
 Mr. Gray, at Hay, 529.
 George Millgate, at Orange, 529.
 Hans Frank, at Tamworth, 530.
 James South, on Gunyerwaraldi, 533.
 William Rae, 549.
 John Blanchfield, 557, 639.
 Benjamin Walters, 563.
 Joseph Davis, at Cullengoin, 564.
 T. H. Purvis, 572.
 John Mulhearn, 585.
 Number dealt with, and number taken up, during 1878, 599.
 Levi Witcomb, 601.
 Held by Members of Parliament, 608.
 Number of Grants issued from the Crown, 608.
 John Neven, 617.
 William Davis, 628.
 W. J. Dickinson, 639.
- CONDOBOLIN :—Land Office, 409.
- CONTRACTS FOR GOVERNMENT STORES :—
 Names of Contractors, and amounts paid, 373.
 Pamphlets showing Contract Prices, 487.
- "CAPTAIN COOK" :—Removal of Captain C. Smith, 232.
- COOK PARK :—Dedication and Proclamation, 277.
- COOK'S STATUE :—
 Unveiling, 244.
 Dwarf wall and iron railing, 635.
- COOLOONGOOLOOK :—Mining Leases on Gold Field, 373.
- COOMA :—
 Railways, 315, 325, 424, 609.
 Road, 299.
- "COONANBARA" :—Manning of, 167, 171.
- COONABARABRAN :—
 District Courts, 44.
 Land Sale, 166.
 Road to Gunnedah, 437, 617.

Q

QUESTIONS (continued) :—

- COONAMBLE :—
 District Courts, 44.
 Land Agent, 104, 146, 254, 369, 428.
 Bridge, 336.
 Post and Telegraph Office, 341.
- COOPER, W. H. :—Letter respecting his speech at Bar of House on Beer's Disabilities Bill, 156.
- COOPER, SIR DANIEL :—Reserves on Waterloo Grant, owned by, 176, 227, 478.
- COOPER, WILLIAM O. :—Pre-emptive Lease of, at Collector, 572.
- COOTAMUNDRA :—Post and Telegraph Office, 273, 417.
- COPE'S CREEK :—
 Foot Bridge, 572.
 Revenue from District, 575.
- CORAL :—Specimens of, from seas through which Port Darwin Cable runs, 50.
- CORONER :—
 Police Magistrate and, Molong, 20.
 Inquests, 381.
- COROWA :—Bridge, 347.
- CORPORATION OF SYDNEY :—Expenditure by the Mayor under Act, 362.
- CORPORATION BILL :—Drafting of, 396.
- COUNCIL, LEGISLATIVE :—Particulars of appointments to, 649, 657.
- COUNTY :—Lithographs, 60.
- COUPER, ALEXANDER :—Selection of, Wagga Wagga, 353.
- COURT-HOUSE :—
 Walgett, 20, 183, 244, 661.
 Tenterfield, 34, 145, 156.
 Bombala, 40, 108, 514.
 Murrumburrah, 43.
 Binalong, 43.
 Cowra, 50, 533.
 Hill End, 59.
 Gadooga, 64, 85.
 Moss Vale, 70, 579.
 Wee Waa, 74.
 And Police Barracks, Jerry's Plains, 108.
 Warialda, 140, 340, 415.
 Richmond, 141, 152, 283.
 And Police Station, Quirindi, 184.
 Moree, 187.
 Branxton, 248, 521, 628.
 Forbes, 254.
 Windsor, 272.
 Narrandera, 273.
 Gunnedah, 300, 521.
 Bingera, 340, 415.
 Tamworth, 378.
 Jerry's Plains, 108, 408, 628.
 Rylestone, 474.
 Mogil Mogil, 477.
 Baradine, 477, 576.
 Braidwood, 487.
 Back Creek, 530.
 Barraba, 530.
 Brewarrina, 576.
- COURTS :—
 District, at Coonabarabran, Coonamble, &c., 44.
 District and Quarter Sessions, Narrabri, 66.
 Of Petty Sessions, Kunopia, 69.
 do. Manilla, 258.
 Third District, Goulburn, 104.
 Of Petty Sessions, Blackville, 191.
 Precedence of Civil over Criminal Cases in District, 232.
 Of Petty Sessions, Mogil Mogil and Baradine, 325.
- COWARD, DANIEL :—Conditional Purchase of, 326.
- COWPER WHARF :—Obstruction of, by Elliott and Co., 442.
- COWRA :—
 Land District, 20.
 Court-house, 50, 533.
- CRACKNELL, MR. :—Travelling Expenses of, 80.
- CRANE :—And Wharf, Darling Harbour, 127.
- CRICKETERS, AUSTRALIAN :—Payment of Salaries to during absence, 397.
- CRIMINAL CASES :—Precedence given to Civil over, by Mr. District Court Judge Josephson, 232.
- CRIMINAL LAW :—Bill to Consolidate and Amend next Session, 599.

QUESTIONS (continued) :—

- CROOK, MR. :—Employed in Department of Justice, 26.
- CROOKHAVEN :—Recreation Reserve, 367.
- CROOKWELL :—Telegraph Line Goulburn to, 76.
- CROPPER AND CARNE :—Inspectors of Conditional Purchases, 347, 462.
- CROPPYENDY :—Road between, and Tugganboo, 420.
- CROSS, T. M. :—Conditional Purchase of, 351.
- CROWN LANDS (See also "CONDITIONAL PURCHASES," also "LAND," also "LAND AGENTS," also "LANDS DEPARTMENT," also "RESERVES.") :—
 Introduction of Land Bill, 11, 16, 70.
 Boggabill Run, 30.
 Decision of Supreme Court in case of Blackwood v. Dobbin, 33.
 Quat Quatta Reserve, 56, 329.
 Auction Purchases, 76.
 The case of Messrs. Wilson, Cawley, and Frew, 80.
 Applications for Land, county Ashburnham, by J. and L. Smith, 86.
 Pucka Widgee Run, 121.
 Purchase of Land under 2nd clause of Land Act of 1875, 122.
 Royal Commission, Lands Department, 151, 192, 292.
 Mr. John Edwards, Land Appraiser, 152.
 Yanko Cutting, 159.
 Cancellation of Reserve in Murrumbidgee District, 159.
 Land purchased by Frederick Peters, at Bendemeer, 166.
 Enclosing Stock Routes, Barratta Run, 171.
 E. D. Ogilvie's Auction Purchase, County of Drake, 183.
 Mr. James Duff's Pre-leases at Millie, 184.
 Conditional Sales Branch, Lands Office, 192.
 Sale or Transfer of Land under Conditional Purchase, 241.
 Improvements on, 243.
 Purchase in virtue of improvements, 243.
 Held under Pastoral Lease, 248.
 Mr. Henry Ricketson, Derulaman and Kerrarberry Stations, 263, 295.
 Taken up by Mr. Richardson, 272.
 Mr. Keele, Inspector of Conditional Purchases, 281.
 Mr. T. Broughton, Muttama Run, 282, 283, 296.
 Inquiry into Lands and Surveys Departments, 292.
 Forfeited Pre-leases, 296.
 Land Sale, Hartley, 309.
 Land Agent at Hay, 314.
 Balderogera Run, 317.
 Billabong East Run, 317.
 Auction Purchase of William Coggan, 321, 336.
 Governor's Signature to Crown Grants and Debentures, 321, 326.
 Auction Purchases of Messrs. Jennings and Shanahan, 329.
 Arrears of Rent due by Mr. James Tyson, 339.
 Baratta Run, 171, 345, 346.
 Applications of Land in virtue of Improvements, 346.
 Alexander Couper's Selection at Wagga Wagga, 353.
 Ring-barking Trees, 402.
 Sale of, from 12th November, 1878, to 31st December, 1878, 408.
 Land Office, Condobolin, 409.
 Allotments in Township of Bokhara, 428.
 Number of acres sold by auction, 429.
 Receipts for auction sales last quarter, 434.
 Deeds for Land at Walgett, 434.
 The case of John M'Fay, 449.
 Land sold at Warialda, 449.
 Mr. A. Munro's Improvement Purchase, 477.
 Land purchased by James Sevil, 488 (?).
 Grant of Land to Mr. Potter Macqueen, 517.
 District Survey Offices, 534.
 Alienated during the year 1878, 554.
 Appraised for W. Officer, and Woolsey, Gipps, & Co., 554.
 Pre-lease of Charles Raeuber, 562.
 Lands withdrawn from auction selection, 564.
 John Murray's Preemptive Lease, 567, 580.
 Pre-emptive Lease of William Oscar Cooper, 572.
 Land taken up by Mr. Bayly on the Pipeclay Gold Fields, 579.
 Mineral Selections, 580.
 Land Revenue for 1868, and cost of Lands Department for 1868, 615.
 Denis Carey's Application for a Lease at Flying-fox Island, 628.

Q

QUESTIONS (continued) :—

- CROWN PROSECUTOR :—Mr. Rogers, 55.
 CROWN SOLICITOR :—Fees received by Officers in Department of, 643.
 CROYDON :—Bridge at, 171, 176.
 CULGOA (See "ROADS.")
 CULLENGOIN :—Conditional Purchase of Joseph Davis, 564.
 CURATOR OF INTESTATE ESTATES :—Authority of to appoint Agents, 538.
 CURRABUBULA :—Bridge, 374.
 CUSTOMS :—
 Union, 21.
 Border Duties, 34, 283, 368.
 Boarding of s.s. "Wotonga" by Officers of, 146.
 Do. "Balclutha" do. 163.
 White Spirits, Spirits of Wine, and Fusel Oil, taken out of Bond, 151.
 Messrs. Eagar and Kelly, Overtime, 170.
 Boarding Intercolonial Steamers at night or on Sundays, 170.
 Landing Waiters and Acting Landing Waiters in Sydney, 244.
 Mr. J. M'Donald, Acting Landing Waiter, 267.
 British Duties on Australian Wines, 381.
 Appointment of a Third Tide Surveyor, 396.
 Seizure of Perfumed Spirits, 447.
 Leave of Absence to Collector, 449.
 Mr. Berney, Acting Collector of Customs, 481, 526.
 Queensland Border Duties, 538.
 Removal of Mr. Dunshee, 616.
 CUSTOM HOUSE, NEWCASTLE :—Offices adjoining, 341.
 DAMAGE :—By flood to property in Darling Harbour, 87, 470, 567, 615.
 DAMS :—Bill to provide for construction of, 55, 301.
 DANGAR BRIDGE :—
 Road to the Narren River, 345.
 In time of flood, 453.
 Approaches to, 453, 661.
 DARLING HARBOUR :—
 Reclamation of Land by A.S.N. Co., 21, 30.
 Damage by flood in, 87, 470, 567, 615.
 Crane and Wharf, 127.
 Shed at Wharf, 127.
 Railway Crossing, 447, 572.
 DARLINGHURST GAOL :—
 Medical Officer, 5, 16.
 Chaplain, 254.
 DARLINGTON :—
 Public nuisance near, 595.
 DARTBROOK CREEK :—
 Road from Scone, 415.
 Road to Merriwa Road, 495.
 DAVIS, JOSEPH :—Conditional purchase of, at Cullengoin, 564.
 DAVIS, WILLIAM :—Conditional purchase of, at Cullengoin, 628.
 DAWES'S POINT :—Quarters at, 608.
 DAY, DR. :—Application of, as Gaol Surgeon, 16.
 DAY, MR. :—Department of Mines, 454.
 DAYS DALE :—Township of, 180.
 DEATH RATE :—Liverpool Asylum, 263, 367.
 DEASY, J. :—Conditional purchase of, 64.
 DEBENTURES :—
 Sale of Government, 69.
 Governor's Signature to, 321, 326.
 DECLARATIONS :—Alleged false, by Members of Parliament, in Lands Office, 11, 15, 83.
 DEEDS :—
 For Land purchased by E. Hawkins, Tumbarumba, 60
 Issued to Lillyman and Malone, 488
 DEFENCES :—
 Recommendations of Sir Wm. Jervois, 86, 164.
 Vacant Captaincies in Permanent Military Force, 104.
 Fortifications at Botany Bay, 166.
 Of the Colony, 314.
 Amount paid for services of Colonel Scratchley, 507.
 Harbour, Newcastle, 654.
 DENILQUIN :—
 Land Sale 21, 346.
 Hydraulic Survey, 363.
 DE VINE, DR. :—Medical Officer to the Railway Department, 488.
 DEVINE, MRS. :—Conditional Purchase at Albury, 180.
 DEVORY :—Conditional Purchase of, 478.

QUESTIONS (continued) :—

- DICKINSON, W. J. :—Conditional Purchase of, 639
 DICTIONARY OF DATES :—Printing of, at the Government Printing Office, 441, 443, 491, 496, 575, 602, 612, 639,
 DIRECTORS :—
 Civil Servants as, of Companies, 167, 602, 649.
 Of Banks holding office of Colonial Treasurer, 288.
 DISTILLATION :—Introduction of Bill, 122.
 DISTILLERIES, &C., TAMWORTH :—Inspectors of, 438.
 DISTRICT COURTS :—
 Coonabarabran, Coonamble, &c., 44.
 And Quarter Sessions, Narrabri, 66.
 Goulburn, 104, 478.
 Judges, Salaries of, 108, 113.
 Bailiffs, fees to, 118.
 Rocky Mouth, 310.
 And Quarter Sessions, Brewarrina, 377.
 Cassilis or Merriwa, 571.
 DISTRICT SURVEY OFFICES :—Establishment of in the North, 534.
 DIVORCE BILL :—Assent to, 611.
 DOMAIN :—Removal of gravel from, for the Mayor, 586.
 DONALDSON, ALEXANDER :—Conditional Purchase of, Tamworth, 118.
 DONALDSON, A. L. :—Conditional Purchase of, Newcastle, 166.
 DONNELLY, MR. :—Claim to purchase part of Wagga Wagga Common, 79, 85, 292.
 DOUBLE BAY :—
 Reserve, 43, 368.
 Plan of village, 107.
 Marine Parade, 368, 549, 558, 644.
 DOYLE :—Death of, 309.
 DRAFTING OF BILLS :—Corporation Bill, and Animals Protection Bill, 396.
 DRAINING :—Flooded lands, Macleay River, 188.
 DREDGES :—
 "Newcastle" and tender "Ajax," 151.
 Men employed on, 495, 666,
 "Samson," 458, 495, 522, 608, 658, 666.
 DRIFT TIMBER :—In the Murumbidgee River, 403.
 DRUITT TOWN :—Site for Public School, 662.
 DRY CREEK :—Road, 561.
 DUBBO :—
 Mr. Hanrahan, late Assistant Land Agent, 247, 253.
 District Surveyors Office, 369,
 Road to Coonamble, 368,
 Endowment of Municipality, 420.
 DUFF, MR. JAMES :—Pre-leases of at Millie, 184.
 DUFFER'S CREEK :—Water reserve at, 530.
 DUFFY, MR. :—Inspector of Permanent Way, Northern Line, 341.
 DULWICH :—Road to Singleton, 591.
 DUNGOG :—Post and Telegraph Office, 113.
 DUNDEE RUN :—John Murray's Pre-emptive Lease on, 567, 580.
 DUNSHEE, MR. :—Removal of from the Public Service, 616.
 DUTY :—Bill to abolish, on Gold, 299, 609.
 DUTIES ON AUSTRALIAN WINES :—British, 381.
 DYER, BENJAMIN BARNFIELD :—Patient in Gladesville Asylum, 530.
 DYKE :—At Rushcutters Bay, 191, 416, 496.
 EAGAR & KELLY, MESSRS :—Overtime, 170.
 EAST MAITLAND :—
 Gaol, 248.
 Police Barracks, 627.
 EBENEZER :—Complaints against Postmaster at, 309.
 EDGROE RUN :—Robert Rae's Conditional Purchase at, 258.
 EDUCATION :—
 Site for Public School, parish of Wilmot, 15.
 Public School, Trunkey, 55.
 Do. Inglewood Forest, 57.
 Do. Muswellbrook, 70.
 Do. Mandurama, 85.
 Do. Site for, Rob Roy Gully, 93.
 Do. Jerry's Plains, 160, 567.
 Do. Site for, Blackville, 188.
 Do. do. Pokolbin, 231, 291, 491.
 Do. Turlingali, 238, 299.
 Establishment of Grammar Schools at Maitland, Bathurst, and Goulburn, 247.
 Meetings of the Council, and attendance of members thereat, 267.

QUESTIONS (continued) :—

EDUCATION (continued) :—

- Site for Public School, Molong, 277.
 Public School, Turlingali and Coila, 299.
 School at Thorp's Pinch, 314.
 Public School, Grasstree, 321, 616.
 Stationery for Local School Boards, 323.
 Site for School at Back Creek, 331, 408.
 School Wallerawang, 352.
 Public School at Aberglasslyn, 362.
 School at Back Creek, 408.
 Public School at Jerrawa, 515.
 Residences of Denominational School Teachers, 530, 537, 554.
 Mission of Mr. Combes, 587.
 Schools of Medicine and Law, 595.
 Site for Public School at Nelanglo, 616.
 Religious Teaching in Public Schools, 661.
 Site for Public School, Drutt Town, 662.
 Public School, Burwood, 662.
 Travelling Expenses of Public School Teachers, 665.
- EDWARDS, MR. JOHN :—Land Appraiser, 152.
- EDWARDS, MR. H. T. :—Cases heard before, at Bombala, 326.
- EDWARDS ROBERT :—Conditional purchase of, 402, 514.
- ELIZABETH STREET :—Widening of, and Elizabeth Street, 223.
- ELLIOTT, & Co. :—Obstruction of Cowper Wharf by, 442.
- ELLY, THE LATE RICHARD :—Railway Guard, 21.
- EMPLOYEES :—
 At Botanical Gardens, 171.
 On Railways, 127, 347, 408, 428, 441, 488, 608.
- EMU PLAINS :—Railway Station, 296.
- ENCROACHMENT :—
 On the Harbour by A. S. N. Co., Pyrmont, 21, 30, 70, 79.
 On Footpath, King and Pitt Streets, 291, 473.
 On Reserves, 423, 442.
- ENDOWMENT :—Of Municipal Council of Sydney, 237.
- ENGELBRATH, JOHN :—Conditional Purchase of, Singleton, 166.
- ENGINES :—Railway, 53, 151, 237, 545, 554.
- ENGINEER-IN-CHIEF FOR RAILWAYS :—Salaries of Professional Staff in Office of, 108.
- ENGLONIA :—Police for Boggabilla and, 73.
- ESTATES :—Sequestrated, 86.
- ESTIMATES :—Preparation of, so as to show amount received by each Civil Officer, 69.
- "EVENING NEWS" :—Telegrams to, 572.
- EXAMINER OF COAL FIELDS :—Threatened Suspension of, 662.
- EXHIBITION, INTERNATIONAL :—
 Government Assistance towards, 34, 35, 176(?).
 Telegrams to England respecting, 180.
 Cost of, and Contracts for, the Building, 237, 375.
 Per centage paid to Mr. John Young in connection with Building, 267.
 Letting of Contracts, by tender or otherwise, 273.
 Drawings of Contracts, and other particulars, 279.
 Timber, 358, 375.
 Wages of labourers, 378, 381.
 Exhibits, 403.
 Hotel accommodation, 410.
 Supply of Iron, 416, 491.
 Amount expended on, 454, 514, 517, 595, 601.
 Tenders, 471.
 Bricks for Building, 522.
 Employment of Mr. Wardell, 553.
 Internal decorations, 557.
 Entertainment to Workmen, 616.
 Visit of Railway employes to, 649.
- EXPIREES FROM NEW CALEDONIA :—Papers having reference to, 352.
- EXPLANATORY STATEMENT :—Of Public Accounts, 137.
- "FAWN," STEAM LAUNCH :—Reported purchase of by Government, 482.
- FEES :—
 To District Court Bailiffs, 118.
 To Resident Medical Officers, Sydney Infirmary, 586.
 Under Small Debts Act, at the Police Courts, 602.
 Received by Officers in the Crown Solicitors Department, 643.
 Received by the Attorney-General and his Secretary, 644.

Q

QUESTIONS (continued) :—

FENCING :—

- Bill to regulate, 55, 301.
 Railway Lines, Cootamundra to Wagga, and Quirindi to Gunnedah, 75.
 Erection of, at Pyrmont by the A. S. N. Company, 347.
 Runs, 428.
- FERRIES :—
 Tolls on Roads, Bridges and, 139, 237, 401.
- FERGUSON, MR. DAVID, J.P. :—Appointment to Commission of the Peace, 228.
- FIELD, MESSRS. THOMAS AND JOHN :—Conditional Purchases of, 363.
- FINLAY, MR. :—Railway Carriage occupied by, 44.
- FINANCE :—
 The Financial Statement, 16.
 Proposed Loan on London Market, 21, 145, 419.
 Sale of Government Debentures, 69.
 Advances to the Government by Bank of New South Wales, 76.
 Trust Moneys, Loan Funds, 118.
 Explanatory Statement of Public Accounts, 137.
 Letters of Credit on Bank of New South Wales, London, 145.
 Government Banking Account, 244.
 Do Financial arrangements, 287, 300.
 Advances to Loan Funds, 419.
 Renewing or modifying present Bank agreement, 513.
 Papers respecting Public Loan on Table, 592.
- FIRE ENGINE :—To Hospital for Insane, Parramatta, 558.
- FISH :—Destruction of, at Terrigal, and Lake Macquarie, 662.
- FISH RIVER :—Bridge over, at O'Connell, 238, 300.
- FISH RIVER CREEK :—Land applied for at, by Sarah Wilson, 563.
- FITZPATRICK, MICHAEL, ESQUIRE :—Pension of, 347.
- FITZROY BRIDGE :—Repair of, 103.
- FITZROY DOCK :—Wages of Gunsmiths, 474.
- FLETCHER, JAMES :—Conditional Purchase of, Wee Waa, 300.
- FLOODS :—
 In the Hunter River, 35, 46, 271, 519.
 Damage by, to property in Darling Harbour, 87, 470, 567, 615.
 Protection to River Banks, West Maitland, from, 271.
- FLYINGFOX ISLAND :—Application of, for a lease at, 628.
- FOOTBRIDGE :—Parramatta, 244, 575.
- FOOTPATH :—Encroachment on, King and Pitt Streets, 291, 473.
- FORAGE ALLOWANCE :—To Officers of the Permanent Artillery, 662.
- FORAN, THOMAS :—Conditional Purchase of, 519.
- FORBES :—
 Court-house, 254.
 Post Office, 409.
 Gaol, 438.
- FORFEITED :—
 Lapsed and Conditional Purchases, 63.
 Conditional Purchases, Parishes of Barratta and Bannagalite, 121.
 Pre-leases, 296.
- FORTIFICATIONS :—86, 104, 164, 166, 314, 507, 654.
- FORSTER, MR., AGENT-GENERAL :—Letter of, in the *Evening News*, on expediency of Agents General being Members of the House of Commons, 615.
- FOUNDINGS :—Christening of, 430, 509.
- FRANCK, SIEGFRIED :—Informations against, in connection with the totalisator, 509, 522.
- FRANK, HANS :—Conditional Purchase of, 530.
- FURNITURE :—
 Court-house, Richmond, 283.
 Court-house, Gunnedah, 300.
 Telegraph Office, Singleton, 351, 659.
- FUSEL OIL :—White Spirits, Spirits of Wine, and, 151.
- GADDOGA :—Court-house, 64, 85.
 Village Reserve, 64.
 Land Sales, 273.
 Post and Telegraph Office, 429.
- GALLAGHAN, WILLIAM :—Conditional Purchase of, at Tanawana, 259.

Q

QUESTIONS (continued) :—

- GALL, BROS. :—Conditional Purchase of, at Moree, 93.
 GALL, R. :—Road through Conditional Purchase of, 487.
 GAOL :—
 Darlinghurst, Medical Officer, 5, 16.
 Do. Chaplain, 254.
 Wellington, 11.
 Tenterfield, 34, 145, 156.
 Narrabri, 73.
 Bingera, 180.
 East Maitland, 249.
 Albury, 313.
 Increase of Pay to Warders, 424.
 Forbes, 438.
 Prison Labour, Mudgee, 587, 615.
 Lodging Allowance to Warders, 599.
 GAP CREEK :—Bridge over, 374, 409.
 GARRETT AND GREVILLE, MESSRS. :—Mineral Leases held by, in Newcastle District, 35, 40.
 GARSED, MR. JOHN :—Letter of, 119, 149, 408.
 GAS :—Lighting Railway Carriages with, 159.
 GENERAL GRANT :—Reception of, in Sydney, 509.
 GEOLOGICAL SURVEYOR :—Additional, and duties of, 45.
 GETT, PETER :—Employment of, on Roads, 358.
 GILES, MR. :—Clerk of Petty Sessions, Bombala, 87.
 GLADESVILLE ASYLUM :—Insanity of Benjamin Barnfield Dyer, 530.
 GLEBE ISLAND ABATTOIRS :—
 Regulations for slaughtering, 85.
 Disposal of Offal, 409, 650.
 Allegations in *Herald* as to Management of, 433.
 Appointment of Mr. Bruce on Commission, 489.
 Pay of Commissioners, 508, 514, 522.
 Papers in reference to Expenditure of Money at, 616.
 GLEN ALICE :—Post Office, 461.
 GLEN INNES :—
 Post Office Premises, 34.
 Sites for Pounds, 576.
 GLENMORE ROAD :—Amount for Repairs, 238, 448.
 GLOUCESTER RIVER :—Bridge over, 113.
 GOANGORA :—Boats for, 369.
 GOLD :—
 Mining Lease, Ironbarks, P. Grimley, 16.
 Mining Act, 74.
 Miners rights taken out by Chinese, 272.
 Mining leases, 272.
 Abolition of Duty on, 299, 609.
 Mining Leases, Cooloongoolook, 373.
 Prospecting for, 383, 514.
 Mining on Police Paddock, Young, 404, 471, 533.
 Selections at Bulahdelah, 408.
 Quantity of, obtained from the Barrington Field, 485.
 Issue of Special Mining Leases, 628.
 Conditional Purchases on Fields, 30, 257.
 Amendment of the Mining Law, 50.
 Barrington, 169, 337, 471, 485.
 Bingera Reserve, 45, 171.
 Land taken up by Mr. N. P. Bayly, at Pipeclay, 579.
 GONGOLGAN :—Bridge, 368.
 GOONDIWINDI :—
 Bridges at Mungindi and, 187, 362, 382.
 GOORANGOOOLA :—Road from, to Bowman's Creek, 171, 237.
 GOULBURN :—
 Public Buildings, 21.
 Telegraph Line to Crookwell, 76.
 Third District Court, 104.
 Road to Windellima, 227.
 Extension to Wagga Wagga, 427.
 Duties of Registrar, 478.
 GOVERNMENT :—
 Advertisements in Newspapers, 34, 165, 580.
 Pay of Workmen for Christmas Day and Good Friday, 457.
 Stores Department, 508, 514, 522, 592.
 Stamp used by Officials, 517.
 Debentures, 69.
 Banking Account, 244.
 Financial Arrangements, 287, 300.
 Contracts for Stores, 373, 487.
 Supplies to Institutions, 454.
 GOVERNMENT PRINTING OFFICE :—
 Publication of Non-official Books at, 441, 443, 491, 496(?), 575, 602, 612, 639.
 Printing of "The Queensland Magistrate," 602
 GOVERNOR'S SIGNATURE :—To Crown Grants and Debentures, 321, 326.

QUESTIONS (continued) :—

- GRAFTON :—
 Telegraph contract, 46.
 Line to Kempsey, 57, 155.
 GRAMMAR SCHOOLS :—Establishment of, at Maitland, Bathurst, and Goulburn, 247.
 GRAMMAR SCHOOL, SYDNEY :—Alleged insult to Mr. Kenna, 666.
 GRANT, GENERAL :—Reception of, in Sydney, 509.
 GRANT OF LAND TO MR. POTTER MACQUEEN :—Area of, 517.
 GRASSTREE :—Public School, 321, 616.
 GRAVEL IN THE DOMAIN :—Removal of, for the Mayor, 586.
 GRAY, MR. :—Conditional Purchase of, at Hay, 529.
 GREAVES, MR. :—District Surveyor, 15.
 GREEN'S ROAD :—Taking down of Barrack Wall, 50.
 GRENFELL :—Water Supply for Young and, 20.
 GREVILLE, MR. :—Chief Clerk, Insolvent Court, 521.
 GREVILLE, MESSRS. GARRETT AND :—Mineral Leases held by, Newcastle District, 35.
 GRIFFIN, PATRICK AND MICHAEL :—Return to Address, respecting, 86.
 GRIMLEY, PETER :—Gold Mining Lease, Ironbarks, 16.
 GUEST AND CLARK :—Appraisal case between, 416.
 GULARGUMBONE :—
 Bridge, 368.
 Village Reserve, 378.
 GULGONG :—
 Alignment of Streets, 169.
 Land Office, 184.
 Post and Telegraph Office, and Police Buildings at, 558, 635.
 Water Supply, 567.
 Small Debts Court, 658.
 GUNDAGAI :—Mr. Weekes, Clerk of Petty Sessions at, 608.
 GUNDAROO :—
 Common, 83.
 Post Office, 580.
 GUNNEDAH :—
 Railway Extension to Narrabri, 49, 437.
 Commons, 50, 109, 170.
 Road from Barraba to, 93, 374, 401, 447, 591.
 School of Arts, 179, 423.
 Railway Werris Creek to, 282, 443, 665.
 Court-house, 300, 521.
 Approaches to Railway Station, 301.
 Road to Narrabri, 362.
 Bridge, 374.
 Telegraph line to Quirindi, 416.
 Chandos-street, 491.
 Mr. T. K. Abbott, Police Magistrate, 611.
 GUNNING :—
 Bridge on Road to Monaro, 151.
 Road to Queanbeyan, 538, 576.
 Road to Gundaroo, 563.
 GUNSMITHS AT FITZROY DOCK :—Wages of, 474.
 GUNTAWANG :—Road, 558.
 GUNYERWARALDI RUN :—James South's Additional Conditional Purchase on, 533.
 GWYDIR, THE :—
 Bridge over River at Bundarra, 43, 223, 453.
 Public Tanks in Electorate, 428, 448, 628.
 Cemeteries in Electorate, 429.
 Land Offices in district, 644.
 HALL, CAPTAIN VINE :—Suspension of Certificate of, by Marine Board, 127.
 HALL, MRS. :—Conditional Purchase of, 341.
 HANCOCK, THE LATE ROBERT :—Commission received from Estate of, 26.
 HANRAHAN, MR. :—Late Assistant Land Agent at Dubbo, 247, 253.
 HANSARD :—Establishment of, 666.
 HARBOUR DEFENCES :—
 Recommendations of Sir Wm. Jervois, 86, 164.
 Newcastle, 654.
 HARTLEY :—Land Sale, 309.
 HARPER, MR. NEIL, J.P. :—Case against, Court of Petty Sessions, Nowra, 65.
 HATFIELD BUSHRANGERS :—Reprieve of, 507.
 HAWKINS, EDWARD :—Land purchase at Tumbarumba, 60.
 HAY :—Weighing, at Parramatta Junction, 295.
 HAY, MR. :—Conditional purchase of, Blue Mountains, 282.
 HEATON, MR. :—Printing "Men of the Time" at the Government Printing Office for, 441, 443, 491, 496, 575, 602, 612, 639.

Q

QUESTIONS (continued) :—

- HEXHAM PUNT :—Approaches, 470.
 HILL END :—
 Purchase of Protestant Hall as Court-house, 59.
 Water Supply, 515.
 HIXSON, CAPTAIN :—Quarters at Dawes's Point, 608.
 HOATH, JOHN :—Conditional Purchase of, 49, 253.
 HOLIDAYS :—To Railway Employés, 127, 408.
 HOLROYD, MR., MASTER IN EQUITY :—
 Salary of as Acting Judge, 383.
 Business of during absence, 396.
 Increase of Salary to, 616.
 HOMEBUSH :—Purchase of Land between Parramatta and,
 253.
 HOME RULE :—Prospecting Association, 156.
 HORSES :—Sale of Impounded, at Murrurundi, 521.
 HORSE-STEALING :—Rewards in cases of, 278.
 HOSPITAL :—
 Murrurundi, 75 (?), 104.
 Site, Walgett, 149, 443.
 Parramatta, 508.
 Fire Engine, Parramatta, 558.
 Sydney, 586, 587, 595, 653, 654.
 HOUSE RENTED FROM MR. SENIOR :—Particulars of, 391.
 HOWLONG :—
 Bridge across River Murray, 70, 329, 612.
 Approaches to Punt, 139.
 HUDSON BROTHERS :—
 Amount paid to, for building Telegraph Station at La
 Perouse, Botany, 580.
 Return ordered by the House, on Table, 592.
 HUME :—Sale of Roads in County of, 470.
 HUNTER RIVER :—
 Floods, 35, 46, 271, 519.
 Water Supply, for District, 243, 244, 491.
 Protection to Banks, West Maitland, 271.
 HYDE PARK ;—
 Delay in erecting Dwarf Wall, &c., 118.
 Enclosure, 223.
 Band, 273, 448.
 Anti Chinese Meeting, 273.
 Dedication and Proclamation, 277.
 Regulations respecting Public Meetings, 396.
 HYDRAULIC SURVEY, DENILIQUIN :—Completion of, 363.
 IMMIGRATION :—
 Goods supplied by Kidman and Son to ship "Smyrna,"
 117, 170.
 Arrivals in Sydney by sea, and proportion quarantined,
 281.
 Provision for Employment of Immigrants, 581.
 Religion of Immigrants by "Samuel Plimsoll," 631.
 IMPORTATION :—Prohibition on, of Live Stock, 140.
 IMPOUNDING BILL :—Intention of Government respecting,
 11.
 IMPROVEMENTS :—
 Purchase of portion Quat Quatta Reserve in virtue of,
 by Mr. Wallace, 56.
 On Crown Lands, 243.
 Purchase of Crown Lands in virtue of, 243.
 INFIRMARY, SYDNEY :—
 Fees to Resident Medical Officers, 586.
 Erection of, 587.
 Alleged unfit state of Surgeon to perform operation,
 595.
 Case of Dr. Morgan, 653, 654.
 INGLEWOOD FOREST :—Public School, 57.
 INQUESTS :—
 On body of John Norris, 248.
 Do. Mrs. Brown, 379.
 Presence of Witnesses, 381.
 In Maitland District, 485.
 INSOLVENCY :—Sequestrated Estates, 86.
 INSOLVENT COURT :—
 Fees to Chief Clerk and Bailiff, 521.
 Returns in regard to Mr. Booty, 600.
 INSOLVENCIES :—Of Civil Servants, 607.
 INSPECTORS :—
 Of Conditional Purchases, for Gwydir District, 73.
 Do. do. Warialda, 287.
 Of Conditional Purchases, 301.
 Of Land Offices, Mr. Oliver, 281, 301, 315, 331, 374,
 375, 554.
 Amounts paid to, 329.
 Distilleries, &c., Tamworth, 438.
 Of Collieries, 662.

QUESTIONS (continued) :—

- INTERCOLONIAL STEAMERS :—Boarding of, at night or on
 Sunday, 170.
 INTERNATIONAL EXHIBITION IN SYDNEY (See
 "EXHIBITION.")
 INTERSTATE ESTATES :—Authority of Curator to appoint
 agents, 538.
 In the Maitland District, 485.
 INVERELL :—
 Quarter Sessions, 34.
 Boundaries of Land District, 508.
 IRON :—
 Sale of, at Newcastle, 410, 438.
 Do. Sydney, 612.
 Supply of, to the Government, for Exhibition, 416.
 IRONBARKS :—Railway to, 378.
 IRON COVE :—And Parramatta River Bridges, 179, 441.
 JACOB AND JOSEPH CREEK :—
 Road to Quirindi, 118.
 Approaches to Bridge, 378.
 Bridge, 461.
 JAMES, HENRY KERRISON :—Custody or possession of
 Registers of Births, Marriages, and Deaths by, 592.
 JENNINGS AND SHANAHAN, MESSRS. :—Auction purchases
 by, 329.
 JERRAWA :—Public School, 515.
 JERRY'S PLAINS :—
 Post and Telegraph Office, 108, 133, 180, 237, 331, 407,
 554.
 Court-house and Police Barracks, 108,
 Public School, 160, 567.
 Police, 407.
 Court-house and Lock-up, 408, 628.
 JERVOIS, SIR WILLIAM :—Carrying out recommendations
 of, for Harbour Defences, 86, 164.
 JINDERA :—Water Supply, 313.
 JOBBINS'S ESTATE :—Trustees of, 608.
 JOHNSTON, MR. THOMAS ANDREW, J.P. :—Charge of
 assault against, 469.
 JONES, MR., LANDS TITLES OFFICE :—Leave of absence
 to, 397.
 JONES, W. :—Roadway at Conditional Purchase of, 420.
 JOSEPH, MR. HYAM :—Cases heard before, at Bombala, 326.
 JOUBERT, MR. :—Property of, coming to the Colony, 607,
 616, 658.
 JUDGES :—
 Salaries of District Court, 108, 113.
 Offers of appointments as Acting, 458, 645.
 Additional, for Supreme Court, 526.
 JUDICATURE ACTS AND RULES :—Adaptation to this
 Colony of, 599.
 JUNCTION :—Of Railways with Victoria and Queens-
 land, 33.
 JUNE :—Railway, 5, 184.
 JURY :—Laws Amendment Act, Extension of, in Police
 District of Walgett, 59.
 JURY COURTS :—Hearing of causes, 666.
 JURORS :—Payment of, 146.
 KATOOMBA :—Road to Springwood, 475.
 KEELE, MR. :—Employment of, in Civil Service, 281.
 KELLOSHIEL :—Road to Sofala Road, 335.
 KELLY, MR. :—Conditional Purchase of, 519.
 KEMPSEY :—Telegraph line to Grafton, 57, 155.
 KENNA, MR. :—Alleged insult to, at Sydney Grammar
 School, 666.
 KERR, W. F. :—Mudgee Volunteers, 292.
 KIANDRA :—Road, 299.
 KIDMAN & SON, MESSRS. :—Stores supplied by, to Immi-
 grant Ship "Smyrna," 117, 170.
 KING AND PITT STREETS :—Encroachment on footpath,
 291, 475.
 KUNOPIA :—
 Village Reserve, 69.
 Courts of Petty Sessions, 69.
 Land Sales, 273.
 LACHLAN RIVER :—Navigation of, 352.
 LAING, MR. :—Master of Dredge "Samson," 458, 522,
 608, 658.
 LAING'S POINT :—Land purchased at, for Military pur-
 poses, 481, 518.
 LAKE MACQUARIE :—
 Proposed Works at entrance of, 35, 46, 249.
 Destruction of Fish at, 662.
 LAMP ON TELEGRAPH POST, TAMWORTH :—Erection of,
 485.

QUESTIONS (continued) :—

- LAND :—**
 District of Cowra, 20.
 Sale, Deniliquin, 21, 346.
 Reclamation of, by A.S.N. Company, Darling Harbour, 21, 30.
 Edward Hawkins's purchase, Tumbarumba, 60.
 Transfer of Volunteer Orders, 75.
 Applications for, by J. and L. Smith, County Ashburnham, 86.
 Orders, Volunteer, 75, 87⁽²⁾, 108, 227, 325, 339, 363, 387, 441, 457, 462, 478.
 Act of 1875, Purchase of land under 2nd clause, 122.
 Mr. John Edwards, Appraiser, 152.
 Application of Mr. A. Munro to purchase in County Jamieson, 160.
 Sale, Coonabarabran, 166.
 Office, Brewarrina, 176, 433.
 Purchased at Wagga Wagga for Railway purposes, 183.
 Office, Gulgong, 184.
 For Church of England purposes, Narrabri, 187.
 Sales of Town and Suburban Lots at Yetman, Boggabri, Brewarrina, and Moree, 191.
 Sold to Messrs. Macleay and Clarke, 227.
 Office, Parkes, 253.
 Purchase of, between Homebush and Parramatta, 253.
 Taken up by Mr. Richardson, 272.
 Sales, Kunopia and Gadoogo, 273.
 Purchased by Sir G. W. Allen, fronting Sydney Harbour, 282.
 At Parramatta Junction, for Railway purposes, 287.
 William Simpson's application for, 300.
 Title to, at Ashfield, for Operative Building Society, 300.
 Occupied by Mr. Smith for Sericultural purposes, 374, 541.
 Sale, Bingera, 387.
 Office, Condobolin, 409.
 Exchange of, at Narrabri, 417.
 Purchased at Laing's Point, 481, 518.
 Survey of, under pre-lease, 508.
 District of Inverell, 508.
 Appraisal of, at Circular Quay, 518.
 Alienated during the year 1878, 554.
 Appraised for W. Officer, and Woolsey, Gibbs, & Co., 554.
 Applied for by Sarah Wilson, Fish River Creek, 563.
 Revenue for 1868, 615.
 Offices in The Gwydir District, 644.
- LAND AGENTS :—**
 H. H. Brown & Co., 66.
 Coonamble, 104, 146, 254, 369, 429.
 Mr. Hanrahan, late Assistant at Dubbo, 247, 253.
 At Hay, 314.
 Appointment of, 402.
 Mr. J. B. Richards, Bathurst, 519.
- LAND BILL :—**Intention of Government respecting, 11, 16, 70.
- LAND COURTS :—**Commissioners, 402.
- LANDING WAITERS :—**
 Number of, and of Acting, employed in Sydney, 244.
 Mr. J. M'Donald, Acting, 267.
- LANDS DEPARTMENT :—**
 Alleged False Declarations by Members, 11, 15, 83.
 Clerks in Auction Branch, 117.
 Royal Commission, 151, 192, 292, 314, 448.
 Conditional Purchase Branch, 192.
 Mr. C. Oliver—Travelling expenses, &c., 281, 301, 315, 331, 374, 375, 554.
 Total number of persons employed in, 396.
 Overtime to Mr. Blackman, 495.
 Temporary Clerks in, 558.
 Permission of Public to see Public Documents, 591.
 Cost of, for 1868, 615.
 Mr. P. F. Richardson, 640, 654.
 Statement made by Mr. Hoskins respecting Officers in, 645, 659.
- LAND ORDERS (See "VOLUNTEERS.")**
- LANDS TITLES OFFICE :—**
 Application for Title for Operative Building Society, 300.
 Leave of Absence to Mr. Jones, 397.
- LA PEROUSE :—**
 Reserve, Botany Bay, 292.
 Telegraph Building erected by Hudson Brothers, 580.
- LAPSED :—**And forfeited Conditional Purchases, 63.
- LARKINS AND STEVENSON MESSRS. :—**Compensation to, 145.

Q

QUESTIONS (continued) :—

- LARRAS LAKE :—**Site for a Church, 11.
- LARRIKINISM :—**Increase of, and whipping as remedy, 305.
- LAW AND MEDICINE :—**School of, at the University, 595.
- LAW REFORM :—**Preparation of Measures for next Session, 599.
- LAYCOCK, EMILY C. :—**Conditional Purchase of, 40, 165.
- LAYFIELD, GRAY, & OTHERS :—**Conditional Purchases of, 16⁽²⁾.
- LAY Mr. :—**Telegraph Inspector, 644.
- LEAVE OF ABSENCE :—**To Volunteers in Country Corps, 163, 167.
- LEE, M. A. AND T. :—**Conditional Purchases of, 155.
- LEGALIZATION :—**Of certain Conditional Purchases, 253.
- LEGISLATIVE COUNCIL :—**Particulars of appointment to, 649, 657.
- LETTERS OF CREDIT :—**On Bank of New South Wales, London, 145.
- LIABILITIES :—**Bank Assets and, Publication of, 99.
- LICENSES :—**To cut Timber in The Williams Electorate, 241.
- LICENSING :—**Publicans Act, 79.
- LIGHT HOUSE :—**
 South Head, 254.
 Barrenjoey, 277.
- LIGHTING RAILWAY CARRIAGES :—**With Gas, 159.
- LILLYMAN, C. R. :—**Compensation to, and P. Malone, and J. Robertson, for Land sold them at Narrabri, 73.
- LILLYMAN AND MALONE :—**Deeds issued to, 488.
- LISMORE :—**Municipal District of, 379.
- LITHGOW :—**Railway Station and Goods Shed, 74.
- LITHOGRAPHS :—**Of Counties Gower, White, Baradine, Jamieson, and Denman, 60.
- LIVERPOOL :—**
 Police Magistrate for Parramatta, Ryde, and, 39.
 Street, Widening of Elizabeth-street and, 223.
 Asylum, Death rate, 263, 367.
 Presbyterian Cemetery, 391.
 Church and School lands near, 572.
- LOAN :—**
 Proposed, on London market, 21, 145.
 Disposal of Trust Moneys Funds, 118.
 Advances from funds, 419.
 Proposed, 419.
 Public, 592.
- LOCK-UP :—**
 Bingera, 180, 340.
 Warialda, 340.
 Brewarrina, 576.
 Jerry's Plains, 408, 628.
 Stockton, 662.
- LOVE, CHARLES AND THOMAS :—**Charge of arson against, at Bombala, 519.
- LOVE, THOMAS :—**Conditional purchase of, at Bombala, 378.
- LUDDENHAM :—**Road to South Creek, 654.
- LUNACY :—**Maintenance of relatives in Asylums, 53.
- LUNATIC ASYLUM, PARRAMATTA :—**Statements made against Superintendent, 409.
- MACINTOSH, JOHN, ESQ., M.L.A. :—**Iron sold by to the Exhibition, 491.
- MACLEAN, MR. G. R. :—**Application of, for appointment of Police Magistrate, 581.
- MACLEAY AND CLARKE, MESSRS. :—**Land sold to, 227.
- MACLEAY RIVER :—**Draining flooded lands, 188.
- MACQUEEN, MR. POTTER :—**Grant of Land to, 517.
- MAGISTRATES :—**
 Powers of Police and Stipendiary, 401.
 Number of Police and Stipendiary, 417.
 Powers of two Justices, Sydney, 470.
- MAILS (See "POSTAL.")**
- MAINTENANCE MEN :—**Under Road Superintendents, 151.
- MAIN WESTERN ROAD :—**Blue Mountains, 335.
- MAITLAND, (See also "ROADS," also "EAST MAITLAND.") :—**
 Protection of River banks from floods, 271.
 Inquests in District, 485.
- MAJOR'S WATERHOLE :—**Water tank, 140.
- MAJURA :—**Road to Queanbeyan, 291.
- MALONE AND LILLYMAN :—**Deeds issued to, 488.
- MANDURAMA :—**Public School, 85.
- MANILLA :—**
 Bridge over River, Barraba, 43.
 Court of Petty Sessions, 258.
 Bridge over the Namoi, 258, 382, 616.
 Road on bank of River, 442.

Q

QUESTIONS (continued):—

- MANLY BEACH WHARF:—Use of, by Port Jackson Steam Company, 409, 419.
- MANNING RIVER:—Oyster-beds, 561, 631.
- MARINE BOARD:—
Conduct of Masters of certain Steam Vessels at Boat race, 30.
Certificate held by Mr. Matthews, Chief Officer, "City of Newcastle," 40.
Suspension of Captain Vine Hall's Certificate, s.s. "Chimborazo," 127.
Berthing Ships at the Circular Quay:—"Patriarch," "Cymisca," "Thomas Stephens," and "Cambrian Princess," 133.
Manning of Steamship "Coonanbara," 167, 171.
Pay of Pilots, Port Jackson, and Newcastle, 188.
Captain Charles Smith, Pilot Steamer "Captain Cook," 232.
Steamship "Platypus," 317, 369, 410.
- MARINE PARADE, DOUBLE BAY:—Restoration of, to the Public, 368, 549, 558, 644.
- MASTER IN EQUITY:—
Salary of, as Acting Judge, 383.
Business of, during absence, 396.
Increase of Salary to, 616.
- MATTHEWS, MR.:—Late Chief Officer of "City of Newcastle," 40.
- MATRIMONIAL CAUSES ACT AMENDMENT BILL:—Assent to, 611.
- MCCRACKEN, MR.:—Late Accountant in Telegraph Department, 272, 363.
- McILVAINE, THE LATE ANDREW:—Administration of Intestate Estate of, 80.
- M'DONALD, MR. J.:—Acting Landing-waiter, 267.
- M'FARLANE AND DEASY:—Conditional Purchases, 64.
- M'FAY, JOHN:—The case of, 449.
- M'INTYRE RIVER:—
Dispatch of Mails down, 169.
Telegraph Messages, 478.
- MEDICAL OFFICERS:—
Darlinghurst Gaol, 5, 16.
Fees to, Sydney Infirmary, 586.
- MEDCALF AND WILKINSON:—Advice tendered by the Executive Council to His Excellency the Lieutenant-Governor, 567.
- MEDICINE AND LAW:—School of, at the University, 595.
- MEETING:—Anti-Chinese, in Hyde Park, 273.
- MELVILLE ESTATE:—Road through, 362, 661.
- MEMBERS OF PARLIAMENT:—Conditional purchases and mineral selections, held by, 608.
- "MEN OF THE TIME":—Printing of, at the Government Printing Office, 441, 443, 491, 496, 575, 602, 612, 639.
- MERRIWA (See also "ROADS"):—
Post and Telegraph Office, 56, 335, 571.
Police quarters, 57.
District Court, 571.
Bridge, 122, 571.
- MEYMOTT, MR. DISTRICT COURT JUDGE:—Alleged to be the guest of a litigant, 401.
- MILBURN CREEK:—Mineral Selection, 16.
- MILEY, WILLIAM:—Nuisance created by, near Darlington, 595.
- MILITARY:—
Vacant Captaincies in Permanent Force, 104.
And Volunteer Forces, 340.
Men dismissed, or struck off the roll, 509.
Officers quarters, 581.
Practical Gun Drill of Artillery, 602.
- MILLIE:—
Site for Township, 238, 461.
Bridge Waterloo Creek, 644
- MILLER'S CREEK:—
Travelling stock reserve, 369
Land purchased by James Sevil, 488(?).
- MILLGATE, GEORGE:—Conditional purchase of, 529.
- MINERAL:—
Mr. P. Grimly's Lease, Ironbarks, 16.
Selection at Milburn Creek, 16.
Lease held by Messrs. Garrett and Greville, in Newcastle District, 35, 40.
Prospecting Association, Home Rule, 156.
Selection of Samuel Owen, of Newcastle, 166.
Conditional purchases, held by Messrs. Parkes and Sutherland, 247, 514, 545.
Miners Rights taken out by Chinese, 272.
Same person making more than one selection on the same day, 580.
Selections held by Members, 608.
- MINES DEPARTMENT:—Messrs. Day and Oliver, 454.

QUESTIONS (continued):—

- MINING:—
Amendment of the Law, 50, 74.
Gold Leases, 272.
Issue of Special Leases, 628.
- MINISTRY:—Colonial Treasurer holding office as Bank Director, 288.
- MOGIL MOGIL:—
Courts of Petty Sessions, 325.
Court Room, 477.
- MOLLOY, JOHN:—Conditional Purchase of, 438.
- MOLONG:—
Police Magistrate and Coroner for, 21.
Site for Public School, 277.
Post and Telegraph Office, 323, 388.
- MONAGHAN, JAMES:—Conditional Purchases of, 314.
- MONARO:—Roads, 151.
- MONEY ORDER OFFICE:—Parramatta, 635.
- MOREE:—
Post and Telegraph Offices, Warialda, and, 25, 253, 264, 419.
Police Quarters, 65.
Court-house, 187.
Land Sales at Yetman, Boggabri, Brewarrina, and, 191.
Police Buildings, 347.
Boats, 369, 563.
- MOREHEAD STREET, REDFERN:—Opening of, 639, 644.
- MORGAN, DR.:—Doctor of the Small Pox Hospital Ship "Faraway," 595, 653, 654.
- MORISON'S SELECTION:—Road near Keloe Creek, 658.
- MORFETH:—Post and Telegraph Offices, 76.
- MOSS VALE:—Court-house, 70, 579.
- MOUNT MOOBY:—Road, 434.
- MOUNT PLEASANT:—Colliery, 279.
- MOUNT RANKIN:—Road to Little Forest Road, 448.
- MOUNT VICTORIA:—Road to Mount Piddington, 263.
- MUDGEE:—
Railway Trial Survey, Raglan to, 223.
Mr. Edwin Ryan, late Clerk of Petty Sessions, 314.
Turf Club Bill, Signatures to Petition, 461.
Prison Labour in gaol, 587, 615.
- MULHEARN, JOHN:—Conditional Purchase of, 585.
- MUNGINDI:—Bridges at Goondiwindi and, 187, 362.
- MUNICIPALITIES:—
Council Chambers, Waratah, 163.
Endowment of Council of Sydney, 237.
Expenditure by the Mayor of Sydney, 362.
District of Lismore, 379.
Endowment of Dubbo, 420.
- MUNRO, MR. A.:—
Application of, to purchase land in county of Jamieson, 160.
Improvement Purchase, 477.
- MURRAY AND DEVLIN:—Grafton and Glen Innes Telegraph Contract, 46.
- MURRAY, JOHN:—Pre-emptive Lease of, on Ranger's Valley, 567.
- MURRAY RIVER:—
Bridge across, at Howlong, 70, 329, 612.
Licenses, for Punts, 347.
- MURRUMBIDGEE:—
Reserve in District, 176.
Drift timber in River, 403.
- MURRUMBIDGERIE RUN:—Reserves on, 86.
- MURRUMBURRAH:—Court-house, 43.
- MURRURUNDI:—
Hospital, 75 (?), 104.
Sale of Impounded Horses, 521.
- MUSWELLBROOK:—
Public School, 70.
Bridge, 424.
Sir Thomas Mitchell's Road, 653.
Road to the Wybong, 449, 473.
Road to Jerry's Plains, 602.
- MUTTAMA RUN:—Purchases of land by Mr. T. Broughton, 282, 283, 296.
- MYALL CREEK:—Bridge, 113, 382.
- NAMBUCCRA RIVER:—Congarini Road, 188.
- NAMOI:—
Narrabri Timber Reserve, 65, 336.
Survey of Conditional Purchases in district, 169.
Bridge over river, 258, 348, 374, 382, 616, 661.
- NARRABRI:—
Road, Walgett to, 30.
Post and Telegraph Office, 34, 244, 352.
Railway Extension, Gunnedah to, 49.
Do. to Walgett, 59, 175, 241.
Namoi—Narrabri Timber Reserve, 65, 336, 433.
District Courts and Quarter Sessions at, 66.
Race-course Ground, 70.

QUESTIONS (*continued*) :—

- NARRABRI (*continued*) :—
 Gaol, 73.
 Land for Church of England purposes, 187.
 Water Supply, 391.
 Exchange of land for a church, 417.
 Deeds issued to Lillyman and Malone, purchasers of land, 488.
- NARRANDERA :—
 Court-house, 273.
 Road to Merool Creek, 557.
- NEILD, DR. :—Medical Officer to the Railway Department, 488.
- NELANGLO :—Site for Public School at, 616.
- NELSON'S BAY :—Road, 224.
- NEVEN, JOHN :—Conditional Purchase of, 617.
- NEW CALEDONIA :—Expirees from, 352.
- NEWCASTLE :—
 Wharf accommodation, 336.
 Offices adjoining Custom House, 341.
 Collision in the Harbour, 447.
 Trimming Coal, 485, 507.
 Export of Coal, 575.
 Harbour Defences, 654.
 "NEWCASTLE" DREDGE :—Pay of Workmen, 151.
- NEW ENGLAND (See "RAILWAYS.")
- NEWMAN, PHILIP :—Conditional Purchase of, 352.
- NEW SOUTH WALES :—Boundaries between Queensland and, 55.
- NEWSPAPERS :—Government advertisements in, 34, 165, 580.
- NORRIS, JOHN :—Inquest on body of, 248.
- NOWLAND, PETER :—Conditional Purchase of, 410.
- NUGENT, PATRICK :—Compensation to, 60.
- NUISANCE NEAR DARLINGTON :—Created by William Miley, 595.
- O'CONNELL :—Bridge over Fish River, 238, 300.
- O'CONNOR, DR. :—Medical Officer Darlinghurst Gaol, 5.
- O'DWYER, JAMES :—Selection of, on Pucka Widgee Run, 121.
- OFFAL :—Disposal of, 409, 650.
- OFFICERS QUARTERS, VICTORIA BARRACKS :—Particulars of, 581.
- Ogilvie, E. D. :—Auction Purchase of, County of Drake, 183.
- Ogilvie's Hill :—Road to Jerry's Plains Road, 473.
- OLIVER, MR. C. :—Inspector of Land Offices, 281, 301, 315, 331, 374, 375, 554.
- OLIVER, MR. :—Department of Mines, 454.
- OLLIVIER, MR. W. M. :—Employed in Government Service, 149.
- OMNIBUS ACCOMMODATION :—For passengers arriving by rail, 180.
- O'NEAL, PATRICK :—Conditional Purchase of, 326.
- OPERATIVE BUILDING SOCIETY :—Title to land at Ashfield for, 300.
- OPINION OF ATTORNEY GENERAL :—
 On transfer of a publican's license, 448, 525 (?).
 Respecting additional conditional purchases, 387.
- OREGON RUN :—Conditional purchase on, 477.
- ORIENTAL LANGUAGES :—Mr. Cameron, interpreter of, 426.
- OVERLAND :—Telegraph line to Port Darwin, 271.
- OVERTIME :—Messrs. Eagar and Kelly, Customs Department, 170.
- OWEN, SAMUEL :—Mineral Selection of, 166.
- OYSTERS :—Intention of Government respecting Culture Bill, 16.
 Closing of beds, 407.
 Manning River beds, 561.
 Manning River and Shoalhaven River beds, 631.
- PADDINGTON :—
 Reserve for public recreation, 25, 368.
 Barrack wall and toll-house, 348.
- PAINTER, FREDERICK :—Application of, to purchase a road, 296.
- PAMPHLETS :—Revised for various districts, 39, 248.
- PAPER, PRINTING :—Tenders for, 427.
- PARIS EXHIBITION :—
 Amount received by Mr. Combes as Executive Commissioner, 53, 477.
 Exhibits coming to the Colony for Mr. Combes and Mr. Joubert, 607, 616, 658.
- PARKES :—Land Office, 253.
- PARKES, SIR HENRY :—Mineral conditional purchases held by, and Mr. Sutherland, 247, 514, 545.
- PARKS :—
 Dedication and proclamation of Hyde, Phillip, and Cook, 277.
 Public, at Ashfield, 600.
- PARKHILL, MR. :—Contractor for Post and Telegraph Office, Jerry's Plains, 554.

QUESTIONS (*continued*) :—
 PARLIAMENT :—

- Alleged false declarations by Members in taking up land, 11, 15, 83.
 Freight on railway goods due by Members, 26.
 Privileges Bill, 46.
 Drafting of Animals Protection Bill, and Corporation Bill, 396, 518, 525.
 Conditional Purchases and Mineral Selections held by Members, 608.
 Particulars of appointment to the Legislative Council, 649, 657.
 Hansard, 666.
- PARRAMATTA :—
 Deepening river to carry off sewage, 35.
 Police Magistrate for Liverpool, Ryde, and, 39.
 Improvements in the park, 99.
 River and Iron Cove bridges, 179, 441.
 Clock for Post and Telegraph Office, 244.
 Foot passenger bridge over river, 244, 575.
 Purchase of land, between Homebush and, 253.
 Land at Junction, for railway purposes, 287.
 Weighing hay at Junction, 295.
 Volunteers, 341, 368.
 Railway Bridge, 374.
 Water Supply to Gaol, 382.
 Lunatic Asylum, 409.
 Repairs to District Hospital, 508.
 Fire Engine, Hospital for Insane, 558.
 Foot-bridge in park, 575.
 Bridge over river, 596.
 Money Order Office, 635.
- PARNELL, MR. :—Resignation of from Registrar-General's Office, 336.
- PASSENGER RATES :—
 On Southern Line of Railway, 107.
 On Western and Northern Lines of Railway, 108.
- PATENTS :—Payment of Fees for, 305.
- PATTERSON, ROBERT :—Conditional Purchase of, at Narrabri, 73
- PAY :—
 Of Jurors, 146.
 Of Government Workman for Christmas Day and Good Friday, 457.
 Of Railway Workman, 441, 488, 608.
- PEARSE, WILLIAM :—Conditional Purchase of, 485.
- PEAT'S FERRY :—Road to Berowra Creek, 457.
- PENRITH :—Post and Telegraph Office, 26.
- PENSION TO MICHAEL FITZPATRICK, ESQ. :—Particulars of, 347.
- PERMANENT MILITARY FORCE (See "MILITARY.")
- PETERS, FREDERICK :—Land purchased by, at Bende-meer, 166.
- PETTY SESSIONS :—
 Kunopia, 69.
 Manilla, 258.
 Blackville, 191.
 Mogil Mogil and Baradine, 325
- PHILLIP PARK :—Proclamation and dedication, 277.
- PHILLIPS, MR. C. E. :—Leave of absence to, 367.
- PILE DRIVING :—By A.S.N. Co., at Pymont, 70, 79.
- PILOTS :—
 Port Jackson and Newcastle, 188.
 Captain Charles Smith, of the "Captain Cook," 232.
 Service, Port Jackson, 529.
- "PLATYPUS" :—Assistance to, by "Francis Hixson," 317, 369, 410.
- "PLEMSOLL, SAMUEL" :—Religion of Immigrants arrived by, 631.
- POINT PIPER :—Road, 448.
- POKOLBIN :—Site for Public School, 231, 291, 491.
- POLICE :—
 Magistrate, Waratah, 16.
 Do. Bingera, Mr. P. Brougham, 20, 80.
 Do. And Coroner for Molong, 20.
 Do. For Parramatta, Liverpool, and Ryde, 39.
 Do. and Quarter Sessions, Brewarrina, 232.
 Do. Sydney, 470.
 Do. Gunnedah, 611.
 Quarters, Merriwa, 57
 Number of, in Walgett, 248.
 Quarters, Moree, 66, 347.
 For Boggabilla and Engonia, 73.
 For Brewarrina, 104, 419.
 Barracks and Court-house, Jerry's Plains, 108.
 Residence for Officer, Richmond, 152.
 Station and Court-house, Quirindi, 184.
 Constable W. Stafford, 257.
 Barracks, Walgett, 273, 336, 662.
 Superannuation fund, 329.
 Station at Bogabilla, 330.

QUESTIONS (continued) :—

POLICE (continued) :—

- Barracks, Singleton, 341, 554.
- Quarters, Timbrabongie, 368.
- Barracks and Quarters, Bingera, 388.
- Magistrates, 401, 417.
- At Jerry's Plains, 407.
- Paddock, Bingera, 424.
- Number of cases tried at Courts, 454.
- Buildings, Gulgong, 558.
- Black Trackers for hunting down the Kelly gang, 592.
- Barracks, East Maitland, 627.
- Papers relative to, at Raymond Terrace, 649.

PORT DARWIN :—Telegraph, 50, 271, 448, 514.

PORT JACKSON :—Pilot Service, 529.

PORT MACQUARIE :—Beacon, 192.

POSTAL :—

- Building on proposed street opposite Post Office, 5, 159.
- Premises at Glen Innes, 34.
- Travelling Expenses of Postmaster General, 80.
- Mail down the M'Intyre River, 169.
- Mr. Young's contract, General Post Office, 249.
- Postmaster at Ebenezer, 309.
- Conveyance of Mails between Gulgong and Mudgee, 348.
- Communication with Watson's Bay, 410, 522.
- Office, Angledool, 420.
- Office, Glen Alice, 461.
- Office, Gundaroo, 580.
- Office, Quipolly, 635.

POST AND TELEGRAPH OFFICE :—

- Do. Rylstone, 6.
- Do. Warialda and Moree, 25, 169, 253, 264.
- Do. Penrith, 26.
- Do. Narrabri, 34, 244, 352.
- Do. Tenterfield, 34.
- Do. Walgett, 44, 273, 336, 662.
- Do. Moss Vale, 579.
- Do. Bingera, 45.
- Do. Rockley, 50.
- Do. Merriwa, 56, 335, 571.
- Do. Bourke, 59.
- Do. Morpeth, 76.
- Do. Windsor, 103, 152, 283.
- Do. Jerry's Plains, 103, 133, 180, 237, 331, 407, 554.
- Do. Dungog and Clarence Town, 113.
- Do. Waratah, 113.
- Do. St. Leonards 133.
- Do. Quirindi, 183.
- Do. Carcoar, 228.
- Do. Parramatta, Clock for, 244.
- Do. Moree, 253, 419.
- Do. Blayney, 257.
- Do. Cootamundra, 273, 417.
- Do. Molong, 323, 388.
- Do. Coonamble, 341.
- Do. Sofala, 352, 628.
- Do. Bulli, 383.
- Do. Forbes, 409.
- Do. Gadooga, 429.
- Do. Gulgong, 558, 635.
- Do. Raymond Terrace, 609.

POSTMASTER GENERAL :—Travelling expenses of, 80.

POUNDS, PUBLIC :—

- Richmond, 152.
- Sites for, Glen Innes, 576.

POWER, MR. MICHAEL :—Refund to, 351.

PRECEDENCE :—Given to Civil over Criminal cases by Mr. District Court Judge Josephson, 232.

PRE-LEASES (See "CROWN LANDS.")

PRINTING PAPER :—Tenders for, 427.

PRISONERS :—

- Whipping, for larrikinism, 305.
- Under committal at Wellington, 388.
- Committed from Wellington to Mudgee, 420.
- Under Sentence, 424.

PRISON LABOUR :—At Mudgee Gaol, 587, 615.

PROHIBITION :—On Importation of Stock, 140.

PROFESSIONAL STAFF :—

- Salaries of, in office of Engineer-in-Chief, 108.
- Increase of salary to, in Railway Department, 616.

PROSPECTING ASSOCIATION :—Home Rule, 156.

PROTESTANT HALL, HILL END :—purchased for a Court-house, 59.

PUBLIC :—

- Buildings, Goulburn, 21.
- Park, Waterloo (Waterloo Mills Grant), 25.
- Reserve for Recreation, Paddington, 25.
- Tanks in the North-western Interior, 29, 170, 242.
- Explanatory Statement of, Accounts, 137.
- Papers respecting Loan, 592.
- Tanks in The Gwydir Electorate, 428, 448, 628.

Q

QUESTIONS (continued) :—

PUBLICANS :—

- Licensing Act, 79.
- Bernard Bogan's application for removal of license, 448.

PUBLICANS LICENSES :—

- Applications for new houses, Sydney, 29.
- Opinion of Attorney-General on transfer of, 448, 525(?).

PUBLICATION :—Under Banks Liabilities Publication Act, 86.

PUBLIC CHARITIES :—

- Laying of Report on Table, 564.
- Reserve Fund of Benevolent Asylum, and Randwick Asylum, 586.

PUBLIC SCHOOLS (See "EDUCATION.")

PUBLIC WORKS AND BUILDINGS :—Votes for, 415.

PUCKA WIDGEE RUN :—Selection of James O'Dwyer on, barred by improvements, 121.

PUNT :—

- Approaches to, Howlong, 139.
- Licenses for, on the Murray River, 347.
- Hexham, 470.
- Wiseman's Ferry, 591.

PURVIS, T. H. :—Conditional Purchase of, 572.

PYRMONT :—

- Reclamation of land at, by the A. S. N. Company, 347, 383.
- Erection of Fence at, by the A. S. N. Company, 347.
- Watch-house, 381.

QUARANTINE :—

- Arrivals in Sydney by sea, and number placed in, 281.
- Chinese arriving by sea and placed in, 299.
- Reserve for Stock at Bradley's Head, 403.

QUARRY :—Reserve at Bullewa Creek for Freestone, 231.

QUARTER SESSIONS :—

- Inverell, 34.
- District Courts and, Narrabri, 66.
- And Police Magistrate, Brewarrina, 232.

QUARTERS AT DAWES'S POINT :—Occupancy of, 608.

QUAT QUATA :—Reserve, 56, 329.

QUEANBEYAN :—

- Road to Urayarra, 53.
- Roads to Coen, Weetangera, to One-tree Hill, and Tuggeranong towards Rob Roy, 94.
- Road to Majura, 291.
- Roads in Electorate, 481.
- Roads in District, 607.

QUEENSLAND :—

- Boundaries between New South Wales and, 55.
- Border Duties, 538.
- Printing of "The Queensland Magistrate," 602.

QUIPOLLY :—

- Road between, and Breeza, 379.
- Post Office, 635.

QUIRINDI :—

- Road, Jacob and Joseph Creek to, 118.
- Post and Telegraph Office, 183.
- Court-house and Police Station, 184.
- Road for residents, 420.
- Telegraph line to Gunnedah, 617.

RACECOURSE :—

- Narrabri, Trustees for, 70.
- Warialda, 314.

RAE, ROBERT :—Conditional Purchase of, at Edgeroi, 258, 561.

RAE, WILLIAM :—Conditional Purchase of, 549.

RAEBER, CHARLES :—Pre-lease of, 562.

RAGLAN :—Trial Survey for Railway from, to Mudgee, 223.

RAILS :—

- Supply of, for Sydney Tramway, 340, 377, 382.
- Condemned, Newcastle, 340.

RAILWAYS :—

- Junee to Narrandera, 5, 184.
- Building opposite General Post Office, 5, 482.
- Road from Redmyre Station to Parramatta Road, 6.
- Station Buildings, Wellington, 11.
- The late Richard Elly, guard, 21.
- Freight on goods due by Members, 26.
- Junction of, with Victoria and Queensland, 33.
- Tickets issued between Sydney, Picton, and Penrith, and beyond those Stations, 33.
- Werris Creek Station, 35.
- Do. to Breeza Extension, 239.
- Extra Works on Contracts, Murrurundi to Tamworth, and Yass to Wagga Wagga, 39.
- Carriage occupied by Mr. Finlay, 44.
- Compartment occupied by two persons only, 44.
- Rates from Wagga Wagga to Sydney, 44, 108.
- Extension, Gunnedah to Narrabri, 49.
- Cattle-yards at Back Creek Station, 50.
- Reserve at Back Creek Station, 50.
- Engines, 53, 151, 237.

QUESTIONS (continued) :—

RAILWAYS (continued) :—

- Extension, Narrabri to Walgett, 59, 175, 241.
 Station and Goods Shed at Lithgow, 74.
 Fences, Cootamundra to Wagga, and Quirindi to Gunnedah, 75.
 Appointment of Traffic Manager, 86.
 Removal of Work-shops, 99.
 Trial Survey, Blayney to Wilcannia, 103.
 Do. Narrabri to Walgett, 241.
 Passenger Rates, Southern Line, 107.
 Do. Western and Northern Lines, 108.
 Salaries of Professional Staff in office of Engineer-in-Chief, 108.
 Holidays to Employés, 127, 408.
 Timber for, 128.
 Platform, Eveleigh-street, 137.
 Do. Mount Pleasant, 155.
 Salaries of Clerks on Northern, 145.
 Compensation to Messrs. Larkins and Stevenson, 145.
 To Tamworth East, 152.
 Carriages and Trucks, 159.
 Lighting Carriages with Gas, 159.
 Watering Stock in Trucks, 160.
 Trial Survey, Narrabri to Walgett, 175.
 Omnibus Accommodation, 180.
 Land purchased at Wagga Wagga for, 183.
 Rolling Stock, 188, 288.
 Trial Survey, Raglan to Mudgee, 223, 317.
 Extension, Tamworth West to Tamworth East, 227.
 Connection of, Northern Railway with Sydney, 228, 291, 519, 564, 611.
 Locomotives, 237.
 Traffic at Wallerawang Station, 238.
 Springs for Engines and Carriages, 259.
 Station, Blue Mountains, 263, 416.
 Reserves on Western, 272.
 Clarence to New England, 278.
 Supply of Coal for, 282, 292, 392.
 Werris Creek to Gunnedah, 282, 443, 665.
 Land at Parramatta Junction for purposes of, 287.
 Extension into the City, 292.
 Weighing Hay at Parramatta Junction, 295.
 Station, Emu Plains, 296.
 Do. Gunnedah, Approaches to, 301.
 Extension to Breeza, 314.
 To Monaro, 315, 325.
 Passenger Fares, 335.
 Train to the Blue Mountains, 335.
 Contracts on various Lines, 340, 352.
 Station, Dubbo, 341.
 To Shepherd's Creek, 341.
 Salaries of Inspectors of Permanent Way, 341.
 Bridge over the Murray, 346.
 Uniforms for Employés, 347, 428.
 Trial Survey, Goulburn to Bungendore, 348.
 Completion of Line to Albury, 353, 518.
 Extension and Policy, 369.
 Bridge, Parramatta, 374.
 Trains on Great Northern, 374.
 From the Clarence to New England, 374.
 To Ironbarks, 378.
 Irregularities of Trains on Great Northern, 391.
 Double Line from the Zig-zag to Bowenfels, 392, 410, 457.
 Suburban Time-table, 409.
 Watches for Engine-drivers, 410.
 To Cooma, 424, 609.
 Extension, Goulburn to Wagga Wagga, 427.
 Gunnedah to Narrabri, 437.
 Suburban, 441, 587.
 Pay of Employés, 441, 488, 608.
 Crossing head of Darling Harbour, 447.
 Extension to Hay, 462.
 Station Buildings, Wagga Wagga South, 470.
 From Wallerawang to Mudgee, 474.
 Free Passes to Workmen, 475.
 Check on Travellers, 475.
 Land leased at the Weatherboard, 487.
 Medical Officer to the Department, 488.
 Slaughtering Cattle on lines, 489.
 Hours of duty of Guards, 507.
 Block System, and hours of duty of Signalmen, 508.
 Construction of Locomotives, 545, 554.
 Turnstile to Premises, Darling Harbour, 572.
 Discharge of Workmen, 596.
 Injuries to Carriages by collision, near Parramatta Junction, 599.
 Increase to Salaries of Professional Staff, 616.
 Visit of Employés to the Exhibition, 649.
- RANDWICK :—And Benevolent Asylums, 287, 586.

Q

QUESTIONS (continued) :—

- RANGER'S VALLEY :—
 John Murray's Preemptive Lease on, 567.
 Annual rent, 580.
- RAPE :—
 Statistics concerning crime of, 538(?).
 Case of Wilkinson and Medcalf, 567.
- RATES :—
 Wharfage, 20, 249, 474.
 Payment of City, by Places of Public Worship, 554.
- RAYMOND TERRACE :—
 Roads, 15, 223, 336, 433.
 Post and Telegraph Office, 609.
 Police, 649.
- RECLAMATION :—
 Of land, Darling Harbour, by A.S.N. Company, 21, 30.
 Of land at Pyrmont, by the A.S.N. Company, 347, 383.
- REGISTERS OF BIRTHS, MARRIAGES, AND DEATHS :—
 Custody of by Henry Kerrison James, 592.
- REGISTRAR GENERAL'S DEPARTMENT :—Increase of Salaries in, 156.
- REGULATIONS :—For cutting Timber, 417.
- REIDSDALE CREEK :—Road to Bell's Mountain, 609.
- RENWICK, DR. :—Medical Officer to the Railway Department, 488.
- REPORT ON PUBLIC CHARITIES :—Laying of, on Table, 564.
- RESIDENCES FOR DENOMINATIONAL SCHOOL TEACHERS :—
 Allowances for Rent, 530, 537, 554.
- RESERVES :—
 For Public Recreation, Paddington, 25, 368.
 Willoughby Falls, 25, 368.
 Pamphlets, 39, 248.
 Double Bay, 43, 368.
 Bingera Gold Field, 45.
 Back Creek Railway Station, 50.
 Quat Quatta, 56, 329.
 Welaregang, 59.
 Village, Gadooga, 64.
 Namoi—Narrabri Timber, 65, 336, 433.
 Village, Kunopia, 69.
 Bill dealing with, 70.
 Murrumbidgee Run, 86.
 Travelling Stock, 117, 353, 369, 553.
 Aborigines, Bunnerong, 155.
 Cancellation of, in Murrumbidgee District, 159.
 Bingera Gold Fields, 171.
 Waterloo Grant, 176, 227.
 Botany, 176.
 On the Barwon, 176.
 Murrumbidgee District, No. 213, 176.
 For Quarrying Freestone at Bullewa Creek, 231.
 No. 637, County of Hardinge, 258.
 Lake Bathurst, 258.
 Brisbane Valley, 264, 278.
 On Western Railway, 272.
 La Perouse, Botany, 292.
 Timber, 295, 454.
 Lease on Deep Creek by Mr. Jeremiah Wilson, 352.
 Crookhaven, 367.
 Withdrawal of, from lease, 374.
 At Gulargumbone, 378.
 Tamworth, 382.
 Encroachments on, 423, 442.
 Darling River, 428.
 On Blaxland's Grant, 433.
 No. 125, County of Arawatta, 458.
 Conditional Purchases on No. 41, 517.
 Bellevue Hill, Waverley, 557, 644.
 Circular respecting, on runs, 563.
 No. 1,290, County of Denham, 653.
- REVENUE RECEIPTS :—For Auction Sales last quarter, 434.
- REWARDS :—In cases of Horse-stealing, 278.
- RICHARDS, MR. J. B. :—Compensation to, for loss of Office as Land Agent at Bathurst, 519.
- RICHARDSON, MR. :—Land taken up by, 272.
- RICHARDSON, MR. P. F. :—Charged with being in the company of Mr. James, 640, 654.
- RICHMOND :—
 Court-house, 141, 152, 283.
 Public Pound, 152.
 Residence for Police Officer, 152.
 Repair of George-street, 396.
- RICKETSON, MR. HENRY :—Ring-barking Timber on Derulaman Station, 263.
 Improvement Purchases applied for by, on various Stations, 295.
- RING-BARKING TREES :—As an improvement to land, 402.
- ROADS :—
 Redmyre Station to Parramatta Road, 6.
 Stockton and Raymond Terrace to Saltash, 15, 223, 433.

QUESTIONS (continued):—

ROADS (continued):—

Seaham to Clarence Town, 15.
 Narrabri to Walgett, 30.
 Tamworth to Moor Creek, 43.
 Green's, taking down Barrack Wall, 50.
 Queanbeyan to Urayarra, 53.
 Bunnerong, 57.
 Whaling, North Shore, 87, 417.
 Barraba to Gunnedah, 93, 374, 401, 447, 591.
 Queanbeyan to Coen, Weetangera to One-tree Hill; and Tuggeranong towards Rob Roy, 94.
 Scone to Old Merriwa Crossing, 103, 166, 599.
 Jacob and Joseph Creek, to Quirindi, 118.
 Waratah to Maitland, 137.
 Tolls on Bridges and Ferries, 139, 237, 401.
 Tamberumba to Welaregang, 140.
 At Rossi's Crossing, Wollondilly River, 140.
 Bridge on, Gunning to Monaro, 151.
 Maintenance Men under Superintendents, 151.
 Phelps's Grant to Bunnerong, 155.
 Bibbenlueke to Bombala, 156.
 Turee Creek to the Main Range, 163, 473.
 Goorangoola to Bowman's Creek, 171, 237.
 Through Fitzgerald's Grant to Uarbry, 179.
 Congarini, Nambuccera River, 188.
 Walgett to Culgoa, *vid* Comhora Springs, the Girriwin and Wilby Wilby, 192.
 Tilligherry Creek to Nelson's Bay, 224.
 Goulburn and Braidwood to Windellima, 227.
 The Glenmore, 238.
 Terry-hie-hie to Warialda, 238, 348.
 Rylstone, *vid* Bogie to Capertee or Glen Alice, 241.
Via Lake Bathurst, from Tarago to the Boro Road, 258.
 Mount Victoria to Mount Piddington, 263.
 Through George Bell's Conditional Purchase, Narrabri, 278.
 Majura to Queanbeyan, 291.
 Frederick Painter's Application to Purchase, 296.
 Cooma and Kiandra trust, 299.
 Through Walbundrie, 313.
 From Canterbury to Salt Pan Creek, 323.
 Between Tamworth and Bingera, 330.
 From Kellosiel to Sofala Road, 335.
 Main Western Blue Mountains, 335.
 From Clarence Town and Raymond Terrace Road, 336.
 From Dangar Bridge to the Narren River, 345.
 From Sofala to Mudgee Road, 351.
 From Raymond Terrace to Clarence Town, 357.
 Employment of Peter Gett, 358.
 Through the Melville Estate, 362, 661.
 From Gunnedah to Narrabri, 362.
 From Dubbo to Coonamble, 368.
 From Warren to Bourke, 368.
 Between Bowling Alley Point and Nundle, 378.
 Between Quipolly and Breeza, 379.
 Repair of George-street, Richmond, 396.
 For Travelling Stock, 408, 424, 449, 470.
 Rouchel Brook, 415.
 Scone to Dartbrook Creek, 415.
 For Residents on Quirindi Creek, 420.
 Between Croppyendi and Tugganboo, 420.
 Roadway at W. Jones's Conditional Purchase, 420.
 Mount Mooby and Rouchel, 434.
 Coonabarabran to Gunnedah, 437, 617.
 On Bank of Manilla River, 442.
 From Wybong Creek, through Hall and Cox's land, 442.
 Point Piper and Glenmore, 448.
 Mount Rankin to Little Forest Road, 448.
 Seaham and Clarence Town Road to road from Clarence Town towards the Half-way House, 448.
 From Muswellbrook to the Wybong, 449, 473.
 Peat's Ferry Road to Berowra Creek, 457.
 Obstruction to, by Messrs. Brown and Richardson, 469.
 Sale of County of Hume, 470.
 From Ogilvie's Hill to Jerry's Plains Road, 473.
 From Katoomba to Springwood, 475.
 Obstructions on Ross-street, 481.
 In Electorate of Queanbeyan, 481, 607.
 Through R. Gall's Conditional Purchase, 487.
 Chandos-street, Gunnedah, 491.
 Dartbrook Creek to Merriwa Road, 495.
 Tamworth to Gunnedah, 531.
 From Cohen's Conditional Purchase at Uarbry Creek, 537.
 Delay in Paying Contractors by Mr. Allman, 538.
 From Gunning to Queanbeyan, 538, 576.
 Narandera to Merool Creek, 557.
 Guntawang, 558.
 Dry Creek, 561.
 Gunning to Gundaroo, 563.
 To Tallewang Crossing, 568.

Q

QUESTIONS (continued):—

ROADS (continued):—

Dulwich to Singleton, 591.
 Muswellbrook to Jerry's Plains, 602.
 In the District of Queanbeyan, 607.
 Votes expended on Bridges, 608.
 From Reidsdale Creek to Bell's Mountain, 609.
 Morehead and Walker Streets, Redfern, 639, 644.
 Near Muswellbrook, known as Sir Thomas Mitchell's Road, 653.
 From Luddenham to South Creek, 654.
 Near Morison's Selection, Keloe Creek, 658.
 ROB ROY GULLY:—Site for Public School, 93.
 ROCKLEY:—
 Post and Telegraph Office, 50.
 Telegraph Line, Back Creek to, 50.
 ROCK SALT:—Duty on, 553.
 ROCKY MOUTH:—District Court at, 310.
 ROCKY POINT ROAD:—Site for Watch-house, 93, 104, 122.
 RODGERS, MR.:—Conditional Purchase of, 513.
 ROGERS, MR.:—Crown Prosecutor, 55.
 ROLLING STOCK:—Railways, 188, 288.
 ROSS-STREET:—Obstructions to, 481.
 ROSSI'S CROSSING:—Road at, Wollondilly River, 140.
 ROUCHEL BROOK:—Road, 415, 434.
 ROYAL COMMISSION:—Lands Department, 151, 192, 292, 314.
 RUNS:—
 Fencing of, 428.
 Warbreccan, 429.
 Circular respecting Reserves on, 563.
 Dundee and Ranger's Valley, 567, 580.
 RUSHCUTTERS BAY:—Dyke at, 191, 416, 496.
 RUTCLIFFE, GEORGE:—Conditional Purchase of, at Bingera, 264.
 RYAN, MR. EDWIN:—Late Clerk of Petty Sessions at Mudgee, 314.
 RYDE:—Police Magistrate for Parramatta, Liverpool, and, 39.
 RYLSTONE:—
 Post and Telegraph Office, 6.
 Road *vid* Bogie to Capertee, 241.
 Court-house, 474.
 Town Common, 585.
 SALARIES:—
 Of District Court Judges, 108, 113.
 Of Professional Staff, in Department of Engineer-in-Chief for Railways, 108.
 Of Clerks on Northern Railway, 145.
 Increases proposed in Registrar General's Department, 156.
 SALE YARDS:—For Cattle, 612, 645.
 SALT, ROCK:—Duty on, 553.
 SALTASH:—Roads, 15, 223, 433.
 SALTER, MR.:—Conditional Purchase of, 369.
 "SAMSON," DREDGE:—Remuneration to Mr. Laing, &c., 458, 522, 603, 658, 666.
 SAVINGS BANK:—Particulars respecting, 117.
 SCHOOLS (See "EDUCATION.")
 SCHOOL OF ARTS:—Gunnedah, 179, 423.
 SCONE:—
 Road to Old Merriwa Crossing, 103, 166.
 Road to Dartbrook Creek, 415.
 Road to Merriwa, 599.
 SCOTT, MR. E. L.:—Temporary Clerk in Sheriff's Office, 496.
 SCRATCHLEY, COLONEL:—Amount paid for services, 507.
 SEAHAM (See "ROADS," also "BRIDGES.")
 SENIOR, MR.:—House rented from, 391.
 SEQUESTERED ESTATES:—Return to Order, 86.
 SERICULTURE:—Land occupied by Mr. Smith, 374, 541.
 SEVIL, JAMES:—Land purchased by, 488 (?).
 SEWER:—To drain nuisances from Government Establishments, Parramatta, 35.
 SEWERAGE AND WATER BILL:—Progress of, in Committee, 434.
 SEWERAGE AND WATER SUPPLY:—For Sydney and Suburbs, 583.
 SHANAHAN AND JENNINGS, MESSRS.:—Auction Purchases by, 329.
 SHEPHERD, MR. ISAAC:—On Commission of the Peace, 662.
 SHERWOOD, JAMES:—Contractor for Police Barracks, Singleton, 554.
 SHOALHAVEN RIVER:—
 Bridge, 409.
 Oyster-beds, 631.
 SIGNATURE OF GOVERNOR:—To Crown Grants and Debentures, 321, 326.
 SILT:—Cost for towing, 609.
 SIMPSON, A. T.:—Conditional Purchase of, at Yetman, 282.

QUESTIONS (*continued*) :—

- SIMPSON, WILLIAM :—Application of, for land, 300.
- SINGLETON :—
Police Barracks, 341, 554.
Telegraph Office, 351, 659.
- SITE :—
For a Church at Larras Lake, 11.
Public School, Parish of Wilmot, 15.
Do. Rob Roy Gully, 93.
Watch-house, Rocky Point Road, 93, 104, 122.
Court-house, Bombala, 108.
Post and Telegraph Office, Jerry's Plains, 133.
Hospital, Walgett, 149.
School of Arts, Gunnedah, 179.
Public School, Blackville, 188.
Do. Pokolbin, 231, 291, 491.
Township of Millie, 238.
Public School, Molong, 277.
Do. Druitt Town, 662.
Do. Jerrawa, 515.
For Pounds, Glen Innes, 576.
- SLATTERY, MR. :—Curator of Intestate Estates, 538.
- SMALL DEBTS ACT :—Fees payable under, 602.
- SMALL DEBTS COURT, GULGONG :—Affidavits at, 658.
- SMITH, CAPTAIN CHARLES :—Of Pilot Steamer "Captain Cook," 232.
- SMITH, J. AND L. :—Applications for land, County Ashburnham, 86.
- SMITH, GERTRUDE :—Conditional Purchase of, 404.
- SMITH, MR. :—Land occupied by, for Sericultural purposes, 374, 541.
- "SMYRNA" :—Articles supplied to, by Kidman & Son, 170.
- SNAGGING :—Of Barwin River, Brewarrina to Walgett, 175.
- SOFALA :—
Post and Telegraph Office, 352, 628.
Road to Mudgee Road, 351.
- SOUTH, JAMES :—Additional Conditional Purchase of, 533.
- SOUTH HEAD :—Light-house, 254.
- SPECIAL MINING LEASES :—Issue of, 628.
- SPIRITS :—White, of Wine, and Fusel Oil, 151.
- SPRINGS :—For Railway Engines and Carriages, 259.
- STAFFORD, CONSTABLE W. :—Particulars of Dismissal of, 257.
- STAMP USED BY GOVERNMENT OFFICIALS :—Sanction of Government, 517.
- STATIONERY :—For School Boards, 323.
- STATUE :—Of Captain Cook, 244.
- STEADMAN, HENRY :—Conditional Purchase, Forbes, 56.
- STEAM LAUNCH, "FAWN" :—Reported purchase of, by Government, 482.
- STEAMSHIPS (See "MARINE BOARD.")
- STEAM VESSELS :—Conduct of Masters of at boatrace, 30.
- STEELE, JACOB :—Conditional Purchase of, Bingera, 64, 253.
- STEPHEN, MR. G. M. :—Drafting of the Animals Protection Bill, 396, 518, 525.
- STEVENSON, MESSRS LARKINS AND :—Compensation to, 145.
- STEYNE, DOUBLE BAY :—Restoration of, to the Public, 368, 549, 558, 644.
- STIPENDIARY MAGISTRATES :—Number of, 401, 417.
- STOCK :—
Reserves for Travelling, 117, 278, 353, 369, 553.
Prohibition on Importation of, 140.
Watering in Railway Trucks, 160.
Routes, enclosing of, on Barratta Run, 171.
Passing between New South Wales and Victoria, 325, 351.
Travelling Roads for, 408, 424, 470.
Route through Baratta and Marago Stations, 449.
Route, Coonamble to Dubbo, 541.
Town Common, Rylstone, 585.
- STOCKTON :—
Road to Saltash, 15, 223, 433.
Lock-up, 662.
- ST. LEONARDS :—
Opening of Whaling Road, 87, 417.
Post and Telegraph Office, 133.
Communication between, and Sydney, 650.
- STORES :—Tenders for Supply of, 56.
- STORES DEPARTMENT :—Commission of Inquiry into, 508, 514, 522, 592.

Q

QUESTIONS (*continued*) :—

- STREETS :—
Building on proposed, opposite General Post Office, 5, 159.
Alignment of, Gulgong, 169.
- SUBURBAN LOTS :—Sale of, 191.
- SUPPLIES FOR GOVERNMENT INSTITUTIONS :—Printing of Report on, 454.
- SUPPLY OF COAL :—For Railway Purposes, 282, 292.
- SUPREME COURT :—
Decision of, in case of Blackwood v. Dobbin, 33.
Business of, 508.
- SURVEY :—
Mr. Greaves, District Surveyor, 15.
Geological Surveyor, 45.
Of Township of Welaregang, 65.
Of Conditional Purchases, Namoi River District, 169.
Of Land for Mr. Broughton, North Shore, 271.
Inquiry into Department, 314, 448.
Of Land under Pre-lease, 508.
Offices in the North, 534.
- SURVEY DEPARTMENT (See "LANDS DEPARTMENT.")
- SUTHERLAND, MR. :—Mineral Conditional Purchases held by Sir H. Parkes and, 247, 514, 545.
- SYDNEY :—
Publicans Licenses in, 29.
Water Supply for, and Suburbs, 79, 583, 659.
Corporation, Statistics and particulars respecting, 79.
Connection of Great Northern Railway with, 228, 291, 519, 564, 611.
Endowment of Municipal Council, 237.
Cove, Wharfage, 258.
Arrivals in, by sea, and proportion quarantined, 281, 299.
Harbour, Land purchased by Sir G. W. Allen, fronting, 282.
Railway Extension into, 292.
Infirmary, 586, 595, 653, 654.
Hospital, 587.
Communication between, and St. Leonards, 650.
- TALLEWANG CROSSING :—Road to, 568.
- TAMWORTH :—
Common, 30.
Road to Moor Creek, 43.
Railway Extension, from West to East, 152, 227.
Road between, and Bingera, 330.
Benches for Court-house, 378.
Reserves, 382.
Inspector of Distilleries, &c., 438.
Erection of Lamp on Telegraph Post, 485.
Road to Gunnedah, 531.
Bridge, 654.
- TANKS :—
Public, for North-western Interior, 29, 170, 242.
Water, at Major's Waterhole, 140.
Do. for Brocklesby West, 180.
In The Gwydir Electorate, 428, 448, 628.
- TARAGO :—Road, *via* Lake Bathurst, to Boro Road, 258.
- TEAMS :—Camping places for, near inland towns, 121.
- TELEGRAPH :—
Grafton and Glen Innes, Murray & Devlin's Contract, 46.
Port Darwin Cable, Coral, 50.
Line, Back Creek to Rockley, 50.
Line, Kempsey to Grafton, 57, 155.
Line, Goulburn to Crookwell, 76.
Travelling Expenses of Postmaster General, 80.
Do. do. Mr. Cracknell, 80.
Office, Waratah, 113.
Overland Line, to Port Darwin, 271.
Mr. McCracken, late Accountant in Department, 272, 363.
Poles, 402.
Stations at Werris Creek and Breeza, 403.
Line from Gunnedah to Quirindi, 416, 617.
Port Darwin Cable, 448, 514.
Communication between Sydney and Parramatta, 489, 508.
Telegrams to the *Evening News* and *Town and Country Journal*, 572.
Building of Station at La Perouse by Hudson Brothers, 580.
Telegram from Bathurst Office on Sunday, 639.
Mr. Lay, Inspector, 644.
Furniture for Singleton Office, 659.
Line from Barraba to Bingera, 661.

Q

QUESTIONS (continued):—

TELEGRAPH OFFICE:—

- Post and, Rylstone, 6.
 Do. Warialda and Moree, 25, 169, 253, 264
 Do. Penrith, 26.
 Do. Narrabri, 34, 244, 352.
 Do. Tenterfield, 34.
 Do. Walgett, 44, 273, 336, 662.
 Do. Bingera, 45.
 Do. Rockley, 50.
 Do. Merriwa, 56, 335, 571.
 Do. Bourke, 59.
 Do. Morpeth, 76.
 Do. Windsor, 103, 152, 283.
 Do. Jerry's Plains, 103, 133, 180, 237, 331, 407, 554.
 Do. Dungog and Clarence Town, 113.
 Do. Waratah, 113.
 Do. St. Leonards, 133.
 Do. Cannonbar, 146.
 Do. Quirindi, 183.
 Do. Trial Bay, 188.
 Do. Carcoar, 228.
 Do. Parramatta, Clock for, 244.
 Do. Moree, 253, 419.
 Do. Blayney, 257.
 Do. Cootamundra, 273, 417.
 Do. Molong, 323, 388.
 Do. Coonamble, 341.
 Do. Singleton, 351.
 Do. Sofala, 352, 628.
 Do. Godooga, 429.
 Do. Gulgong, 558, 635.
 Do. Moss Vale, 579.
 Do. Raymond Terrace, 609.

TEMPORARY CLERKS IN LANDS DEPARTMENT:—Rule adopted in appointing, 558.

TENDERS:—

- For Supply of Stores, 56.
 Railway Rolling Stock, 288.

TENTERFIELD:—

- Post and Telegraph Office, 34.
 Court-house and Gaol, 145, 156.

TERRIGAL:—Destruction of Fish at, 662.

TERRY-HIE-HIE: Road from, to Warialda, 238, 348.

"THETIS":—Captain of, 447.

THOMPSON, MR.:—Conditional Purchase of, Parish of Maroota, 64.

THOMSON, MR. JAMES:—Resignation of as Member of Royal Commission, Lands Department, 151.

THORP'S PINCH:—School, 314.

TICKLING, MISS:—Conditional Purchase of, Warialda, 73.

TIDE SURVEYOR:—Appointment of a third, 396.

TILGHERRY CREEK:—Road from, to Nelson's Bay, 224.

TIMBER:—

- Reserve, Namoi, Narrabri, 65, 336, 433.
 For Railway Purposes, 128.
 Licenses to cut, in The Williams Electorate, 241.
 Reserves, 295, 454.
 For Exhibition Building, 358, 375.
 Regulations, 417.

TIMBRABONGIE:—Police Quarters, 368.

TOLLS:—On Roads, Bridges, and Ferries, 139, 237, 401.

TONKINS, MR.:—Conditional Purchase of, at Adelong, 321.

TONNAGE RATES:—Amount of, 474.

TOTALISATOR:—Informations against Siegfried Franck, 509, 522.

"TOWN AND COUNTRY JOURNAL":—Telegrams to, 572.

TOWNSHIP:—

- Daysdale, 180.
 Site for Millie, 238, 461.

TRAFFIC MANAGER:—For Railway, appointment of, from England, 86.

TRAMWAY:—Rails for Sydney, 340, 377, 382.

TRANSFER OF A PUBLICAN'S LICENSE:—Opinion of Attorney General, 525 (?)

TRANSIT COMMISSIONERS:—Receipts and Disbursements, 57.

TRAVELLING EXPENSES:—

- Of Mr. Cracknell, 80.
 Of Postmaster-General, 80.
 Mr. C. Oliver's Lands Department, 281, 301, 315, 374, 375.
 Of Public School Teachers, 665.

QUESTIONS (continued):—

TRAVELLING STOCK:—

- Depasturing on Commons, 64.
 Reserves, 117, 353, 369, 553.
 Do., Yetman to Warialda, 278.
 Road from Coonamble to Wellington, 408.
 Do. do. Dubbo, 424.
 Town Common, Rylstone, 585.
 Passing between N. S. Wales and Victoria, 325, 351.
 Route through Baratta and Marago, 449.
 Routes for, 470.

TRIAL BAY:—Telegraph Office, 188.

TRIAL SURVEYS:—103, 175, 223, 241, 317, 348.

TRIALBA:—Rodgers's Conditional Purchase, 513.

TRUNKY:—Public School, 55.

TRUSTEES OF COMMONS:—Powers of, to lease, 310.

TRUST MONIES:—And Loan Funds, Disposal of Balances, 118.

TUMBERUMBA:—

- Road to Welaregang, 140.
 Bridge, 611.

TUNAWANA:—William Gallagher's Conditional Purchase at, 259.

TURLINGALI:—Public School, 238, 299.

TUREE CREEK:—Road, 163, 473.

TYSON, MR. JAMES:—Arrears of Rent due by, 339.

UABERRY:—Road through Fitzgerald's Grant to, 179.

UNDERWOOD ESTATE:—Mr. Weekes, Trustee of, 608.

UNIVERSITY:—

- Particulars of, 395.
 Benefactions to, 396.
 School of Law and Medicine, 595.

URALLA:—Common, 278.

URAYARRA:—Road, Queanbeyan to, 53.

"VERNON" NAUTICAL SCHOOL SHIP:—Contracts for Supplies to, 373.

VICTORIA BARRACKS:—Officers Quarters, 581.

VILLAGE:—

- Reserve, Gadooga, 64.
 Reserve, Kunopia, 69.
 Of Double Bay, 107.

VOLUNTEERS:—

- Force, New Regulations, 44, 258.
 Land Orders, 75, 87(?), 108, 227, 325, 339, 363, 387, 441, 457, 462, 478.
 Corps, Newcastle, leave of absence, 163, 167.
 No. 3 Company Rifles, distribution of fund, 165.
 Members who have joined under new Regulations, 231.
 Case of W. F. Kerr, Mudgee, 292.
 The Force under the old Regulations, 295.
 Particulars of new and old Force, 310.
 Particulars of Military and Volunteer Forces, 340.
 Parramatta, 341, 368.
 Wollongong, 362.
 Rifles and Accoutrements of old Force, 387.
 Capitation Allowance to, 424, 537, 558.
 Pay, Encampment, and Regulations, 424.
 Efficiency of Members, 448.
 Land selected with Land Orders, 457.
 Promotions in the Force, 489.
 Men dismissed or struck off the Roll, 509.
 Captain Wilson, 571, 580.
 Present Position of old Force, 310, 575, 627.
 Officers Quarters, 581.

VOTES FOR PUBLIC WORKS AND BUILDINGS:—Amount on Estimates, 415.

WAGGA WAGGA:—

- Common, 79, 85, 292.
 Water Supply, 272, 300.
 Temporary Bridge, 388.

WAHGUNYAH:—

- Approaches to Bridge, 140, 611.
 Bridge, 347.

WALBUNDRIE:—Road through, 313.

WALGETT:—

- New Court-house, 20, 183, 244, 661.
 Road, Narrabri to, 30.
 Post and Telegraph Office, 44, 273, 336.
 Railway Extension, Narrabri to, 59, 175, 241.
 Extension of Jury Laws Amendment Act, in Police District of, 59.
 Hospital Site, 149, 443.
 Road to Combra Springs, *via* Girriwin, to Culgoa *via* Wilby Wilby, 192.
 Number of Constables in Police District, 248.
 Police Barracks and Post and Telegraph Office, 273, 662.
 Clerk of Petty Sessions at, 352.
 Deeds for Land at, 434.

Q

QUESTIONS (continued) :—

- WALKER-STREET, REDFERN :—Opening of 639, 644.
 WALLACE, MR. :—Purchase by, of portion of Quat Quatta Reserve, 56.
 WALLACE, MESSRS. :—Conditional Purchase of, 515, 665.
 WALLERAWANG :—
 Traffic at Railway Station, 238.
 School, 352.
 Railway to Mudgee, 474.
 WALTERS, BENJAMIN :—Conditional Purchase of, 563.
 WARRECCAN RUN :—Area of, 429.
 WARDELL, MR. :—Architect for outbuildings at the Exhibition, 553.
 WARDEN, GEORGE W. :—The case of, 665.
 WARDERS, GAOL :—
 Increase of pay to, 424.
 Lodging allowance, 599.
 WARIALDA :—
 Post and Telegraph Offices, 25, 169, 264.
 Court-house, 140, 415.
 Road from Terry-hie-hie to, 238.
 Travelling Stock Reserve, Yetman to, 278.
 Inspector of Conditional Purchases, 287.
 Race-course and Recreation Ground, 314.
 Lock-up, 340.
 Land sold at, 449.
 WARATAH :—
 Police Magistrate, 16.
 Post and Telegraph Office, 113.
 Road to Maitland, 137.
 Municipal Council Chambers, 163.
 WARREN :—
 Road to Bourke, 368.
 Temporary Common, 586.
 WATCH-HOUSE :—
 Site for, Rocky Point Road, 93, 104, 122.
 At corner of Cook Park, Woolloomooloo-street, 277.
 Pyrmont, 331.
 WATER :—
 Bill to provide for conservation of, 55, 301.
 Tank at Major's Waterhole, 140.
 Supply of, to stock in Railway trucks, 160.
 Tanks, Public, 170.
 Tanks for Brocklesby West, 180.
 Reserve, Back Creek, 530.
 WATER AND SEWERAGE BILL :—Progress of, in Committee, 434.
 WATERLOO :—
 Public Park, 25.
 Mill's Grant, 176, 227, 478.
 WATERLOO CREEK :—Bridge at Millie, 644.
 WATER POLICE COURT :—Number of Cases tried at, 454.
 WATERS, MR. :—Conditional Purchase of, 341.
 WATER SUPPLY :—
 Young and Grenfell, 20.
 Sydney and Suburbs, 79, 583, 659.
 Hunter River District, 243, 244, 491.
 Wagga Wagga, 272, 300.
 Jindera, 313.
 On road between Inverell and Warialda, 330.
 Parramatta Gaol, 382.
 Between Narrabri and Moree, 391.
 Hill End, 515.
 Gulgong, 567.
 WATSON'S BAY :—Postal communication with, 410, 522.
 WATSON, THE HONORABLE JAMES :—Colonial Treasurer, holding office as Bank Director, 288.
 WAVERLEY :—Reserve on Bellevue Hill, 557, 644.
 WEBSTER, ROBERT :—The case of, 654, 665.
 WEEKES, MR. :—Trustee in the Underwood Estate, 608.
 WEE WAA :—
 Court-house, 74.
 James Fletcher's Conditional Purchase, 300.
 WELAREGANG :—
 Reserve, 59.
 Survey of Township, 65.
 Road, Tumberumba to, 140.
 WELLINGTON :—
 Buildings at Railway Station, 11.
 Gaol, 11.
 Prisoners under Committal, 388, 420.
 WERRIS CREEK :—Railway, 35, 239, 282, 443, 665,

QUESTIONS (continued) :—

- WEST BROOK :—Bridge at, 237.
 WEST MACQUARIE :—Public Works in Electorate of, 50.
 WEST MAITLAND (See "MAITLAND.")
 WHALING ROAD :—North Shore, opening of, 87, 417.
 WHARFS :—
 Accommodation, Circular Quay, 20.
 Crane and, Darling Harbour, 127.
 Shed, Darling Harbour, 127.
 Rates, 20, 249, 474.
 Rent for Circular Quay, 20.
 Sydney Cove, 258.
 Newcastle, 336.
 Manly Beach, 409, 419.
 Cowper, 442.
 Chowder Bay, 482.
 WHIPPING PRISONERS :—For acts of Larrikinism, 305.
 WIDENING :—Elizabeth and Liverpool Streets, 223.
 WILCANNIA :—Railway Trial Survey, Blayney to, 103.
 WILKINSON AND MEDCALF :—Advice tendered by the Executive Council to His Excellency the Lieutenant-Governor, 567.
 WILLIAMS RIVER :—
 Bridge, 175, 191, 470, 486.
 Bridge, at Seaham, 228.
 Bridge, at Tillegra, 347.
 WILLIAMS, THE :—Licenses to cut Timber in Electorate, 241.
 WILLOUGHBY FALLS :—Reserve, 25, 368.
 WILMOT :—Public School, 15.
 WILSON, CAPTAIN :—
 Employment of, in Darlinghurst Gaol, 571.
 Escorting Lunatics, 580.
 WILSON, CAWLEY, AND FREW, MESSRS. :—Compensation to, 80.
 WILSON, MR. JEREMIAH :—Lease of Reserve on Deep Creek, 352.
 WILSON, SARAH :—Land applied for by, at Fish River Creek, 563.
 WINDELLIMA :—Goulburn and Braidwood Road to, 227.
 WINDSOR :—
 Approaches to Bridge, 103.
 Post and Telegraph Offices, 103, 152, 283.
 Fitzroy Bridge, 103.
 Court-house, 272.
 WINES, AUSTRALIAN :—
 British Duties on, 381.
 Exported to England and New Zealand, 453.
 WISEMAN'S FERRY :—Punt, 591.
 WITCOMB, LEVI :—Conditional Purchase of, 601.
 WOLLONDILLY RIVER :—Road at Rossi's Crossing, 140.
 WOLLONGONG :—Volunteers, 362.
 WOOD, ALFRED :—Conditional Purchase of, 118.
 WORKMEN (See also "RAILWAYS") :—
 Pay of Men on Dredge "Newcastle" and Tender "Ajax," 151.
 Maintenance Men, under Road Superintendents, 151.
 Pay of Government, for Christmas Day and Good Friday, 457.
 Entertainment to, at the Exhibition Building, 616.
 WORKSHOPS :—Removal of Railway, 99.
 "WOTONGA" S.S. :—Boarding of by Officers of Customs, 146.
 WRIGHT, JOSEPH :—Conditional Purchase, Moor Creek, 30.
 WYBONG CREEK :—Road through Hall and Cox's Land, 442.
 YANKO CUTTING :—Repairs, 159.
 YETMAN :—
 Land Sales at Boggabri, Brewarrina, Moree and, 191.
 Travelling Stock Reserve, Warialda to, 278.
 A. T. Simpson's Conditional Purchase, 282.
 Conditional Purchases at, 377.
 YORK, MR. GOVERNMENT APPRAISER :—Leave of absence to, 404.
 YOUNG, MR. JOHN :—
 Error in Schedule of prices in Contract for General Post Office, 249.
 Percentage to, in connection with the International Exhibition, 267.
 Bricks supplied to Exhibition Building, 522.
 YOUNG :—
 Water Supply for, and Grenfell, 20.
 Mining on Police Paddock, 404, 471, 533,

REFERENCES TO THE VOTES AND PROCEEDINGS, VOL. I—SESSION 1878-9.		PAPERS.	
		VOL.	PAGE.
Q			
QUORUM:—			
ABSENCE OF:—			
In House, before commencement of business, 125, 235, 255, 547, 605, 641.			
In House, after commencement of business, 84, 167, 245, 251, 311, 389, 413, 439, 459, 493, 520, 536, 577, 593, 597, 610, 629.			
Reported from Committee of the Whole, 167 ^(?) , 371 ^(?) , 439 ^(?) , 459, 577, 637 ^(?) .			
Reported from Committee of Supply, 526, 589, 597.			
R			
RAILWAYS:—			
EMPLOYES:—			
Return to Order (<i>Session 1877-8</i>), laid on Table, 2			173
MANAGEMENT OF THE DEPARTMENT:—			
Motion made (<i>Mr. McElhone</i>) for appointment of a Select Committee to inquire into, and negatived, no tellers for the ayes, 90.			
REPORT FOR 1877:—			
By Commissioner, on Railways of New South Wales, laid on Table, 2			1
Illustrations and Maps in connection with, laid on Table, and ordered to be appended, 205.....			161
SUBURBAN RAILWAYS:—			
Petition from Municipal Council of Paddington in favour of, presented, 21; ordered to be printed, 26			263
Do.	Inhabitants of Woollahra	do. do. 21; do.	26
Do.	do. Waverley	do. do. 21; do.	26
Do.	do. Redfern	do. do. 31; do.	36
Do.	do. Victoria	do. do. 35; do.	41
Do.	do. Randwick	do. do. 35; do.	41
Do.	do. Leichhardt	do. do. 35; do.	41
Do.	do. Marrickville	do. do. 35; do.	41
Do.	do. Macdonald Town	do. do. 46; do.	51
Do.	do. Waterloo	do. do. 46; do.	51
Do.	do. Darlington	do. do. 50; do.	54
Do.	Mayor, Aldermen, and Citizens of Sydney	do. do. 52; do.	54
Do.	Inhabitants of Balmain	do. do. 57; do.	67
Do.	do. City of Sydney	do. do. 66; do.	70
Do.	do. Borough of North Willoughby	do. do. 80; do.	83
FARES:—			
Motion made (<i>Mr. Teece</i>) that the fares for conveyance of passengers are unequal and excessive, and should be rendered more uniform and reduced, and withdrawn, 142.			
JUNEE TO NARRANDERA:—			
Petition from Residents of Narrandera for immediate construction of, presented, 26; ordered to be printed, 31			247
Plans, Sections, and Book of Reference, laid on Table, as exhibits only, 160, Motion made (<i>Mr. Lackey</i>) that House approves of, 573.			
LAND TAKEN FOR RAILWAY PURPOSES:—			
Motion made (<i>Captain Onslow</i>) for a Return showing extent of, names, amounts demanded, costs paid in arbitration cases, &c., 36; Return to Order, laid on Table, 337.....			5 191
CONNECTION OF GREAT NORTHERN, WITH SYDNEY:—			
Motion made (<i>Mr. Badgery</i>) for Committee of the Whole, that necessary steps be taken to carry out, 68; Order of the Day postponed, 78; House in Committee and Resolution agreed to, 123			
Petition from Inhabitants of Central Cumberland, in favour of, presented, 315			255
Do. do. Parramatta do. 315			255
APPROPRIATION OF LAND FOR PUBLIC PURPOSES:—			
Motion made (<i>Mr. Sutherland</i>) for Committee of the Whole to consider expediency of bringing in Bill to provide for, 146; Order of the Day postponed, 150; Order of the Day discharged, 229.			
EXTENSION, WAGGA WAGGA TO HAY:—			
Petition from Charles Hardy, Chairman of Public Meeting of Inhabitants of Town and District of Wagga Wagga, that the Great Southern Railway be extended from South Wagga Wagga to South Hay, on south side of Murrumbidgee River, instead of from Junee to Narrandera, presented and read by Clerk, 177			249
Petition from Inhabitants of Jerilderie, Yanko, Argoon, Colombo Creek, &c., with similar prayer, presented, 225			251
Motion made (<i>Mr. Barbour</i>) that this extension should be taken on southern side of Murrumbidgee River, instead of on the northern, previous question moved and by leave withdrawn, original question by leave withdrawn, 284.			
EXTENSION INTO THE CITY (See "METROPOLITAN RAILWAY EXTENSION BILL.")			
TO ARMIDALE:—			
Petition from Armidale, praying for a deviation through the city of Armidale, presented, 318.....			253
TOURISTS MAP:—			
Motion made (<i>Mr. Macintosh</i>) for copy of, 337; Return to Order, laid on Table, 645			227
GOULBURN TO COOMA:—			
Petition from Inhabitants of Braidwood, in favour of, presented, 342			257
FROM GOULBURN TO MONARO:—			
Petition from Residents of Monaro, in favour of, presented, 353			259
TRIAL SURVEYS:—			
Motion made (<i>Mr. Teece</i>) for copies of instructions, reports, &c., having reference to, throughout the Colony, 417.			
SITE FOR STATION, LITHGOW VALLEY:—			
Motion made (<i>Mr. Sutherland</i>) for reports, petitions, minutes, &c., having reference to, 420.			
SALE OF OLD IRON:—			
Motion made (<i>Mr. Sutherland</i>) for papers having reference to, to D. Williams, Esquire, 420; Return to Order, laid on Table, 666			239
FROM YASS TO WAGGA WAGGA:—			
Motion made (<i>Mr. McElhone</i>) for particulars of work performed on, and by leave withdrawn, 445			

REFERENCES TO THE VOTES AND PROCEEDINGS, VOL. I—SESSION 1878-9.		PAPERS.	
		VOL.	PAGE.
R			
RAILWAYS (continued) :—			
EXTENSION, NARRANDEBA TO HAY :—			
Papers respecting, laid on Table (Report of Messrs. Adams and Bennett), 471		5	223
RESERVES NEAR WESTERN RAILWAY :—			
Return to Order (<i>in part</i> , Session 1876-7), laid on Table, 510		4	637
RESERVATION OF LAND ADJOINING LINES :—			
Motion made (<i>Mr. Hurley, Hartley</i>) that Crown lands adjoining to, and 2 miles in width on each side of proposed extensions, shall only be sold by auction, and that portions be reserved as sites for townships and other public purposes, and that the proceeds of such sale be set apart as a fund to defray cost of, and withdrawn, 142.			
ROLLING STOCK :—			
Return of, supplied from 1st January, 1878, to 20th November, 1878, laid on Table, 205.....		5	243
SPRINGS FOR, ENGINES AND CARRIAGES :—			
Motion made (<i>Captain Onslow</i>) for all correspondence respecting the tenders of Osborn & Co., and others, for, 284.			
THE CLARENCE TO NEW ENGLAND :—			
Motion made (<i>Mr. Bowden</i>) for all reports, minutes, &c., respecting explorations made by Mr. Surveyor Francis for Railway purposes, from, and thence to Moree by way of Inverell and Warialda, 134; Return to Order, laid on Table, 337		5	203
RAILWAY REFRESHMENT ROOMS BILL :—			
Motion made (<i>Mr. Copeland</i>) for Committee of the Whole, 31; House in Committee, Resolution agreed to, 47; presented and read 1 ^o , 47; read 2 ^o and committed, 78; Order of the Day postponed, 105; House again in Committee and counted out, 167; Order of the Day restored 185; Order of the Day postponed, 216, 221, 232; House again in Committee and no Report, 279.			
PETITIONS RESPECTING, FROM :—			
Citizens of Sydney	against, presented, 76; ordered to be printed, 88		
Residents of Parramatta,	do. 76; do. 88		
Citizens of Sydney in Public Meeting,	do. 76; do. 88		
Residents of Balmain,	do. 76; do. 88		
Citizens of Sydney, in Good Templar Lodge assembled,	do. 76;		
Residents of Wagga Wagga, in Public Meeting,	do. 76; do. 88		
Citizens of Sydney,	do. 76; do. 88		
Citizens of Newcastle, in Public Meeting,	do. 76;		
Members of the Unitarian Church,	do. 76; do. 88		
Secretary and Chairman of the Bible Combination,	do. 77; do. 88		
Members of Freehold Land and Building Society,	do. 77; do. 88		
Crystal Spring Division, Daughters of Temperance,	do. 77; do. 88		
Residents of District of Ryde,	do. 77; do. 88		
Persons at G. H. Lovett's Dining Rooms, Pitt-street,	do. 77; do. 89		
Temperance Alliance, Pitt-street,	do. 77;		
City Missionaries of Sydney, in Public Meeting,	do. 77; do. 89		
Society of Friends,	do. 77; do. 129		
Primitive Methodist Church of Sydney,	do. 77; do. 129		
Residents of Newtown, in Public Meeting,	do. 77; do. 89		
Residents of Camperdown, do.	do. 77; do. 89		
Captain Cook Tent of Independent Order of Rechabites, } in Tent Meeting,	do. 80; do. 83		
Residents of Campbelltown, in Public Meeting,	do. 80; do. 83		
Do. Yass, do.	do. 80; do. 88		
Inhabitants of Town of Windsor,	do. 80; do. 88		
Hope of Richmond Division of Sons of Temperance, } Richmond, in Public Meeting,	do. 80; do. 88		
Residents of Jones's Island, Manning River,	do. 80; do. 88		
Residents of Port Macquarie,	do. 80; do. 88		
Inhabitants of Tumut,	do. 80; do. 90		
Citizens of Bathurst and others, in Public Meeting,	do. 80; do. 88	5	291 to 449
Residents of Parkes,	do. 80; do. 88		
Inhabitants of Parkes,	do. 80; do. 88		
Residents of Ironbarks and others, in Public Meeting,	do. 80; do. 88		
Do. Wattle Flat, do.	do. 84; do. 95		
Do. Maitland and Newcastle,	do. 84; do. 90		
Citizens of Grafton, Clarence River,	do. 84; do. 88		
Captain Cook Division, Sons of Temperance, Botany, in } Public Meeting,	do. 84; do. 88		
Rising Sun Division, Sons of Temperance,	do. 84; do. 88		
Residents of Newtown, in Public Meeting,	do. 84;		
Do. Camperdown. do.	do. 84;		
Do. Shoalhaven and surrounding District,	do. 84; do. 88		
Do. Cooma,	do. 84; do. 88		
Inhabitants of Lithgow Valley,	do. 84;		
Residents of Parramatta, in Public Meeting,	do. 87; do. 95		
Citizens of South Sydney, do.	do. 87; do. 95		
Residents of West Maitland, do.	do. 87; do. 95		
Inhabitants do.	do. 87; do. 95		
Residents of Albury on the Railways,	do. 87; do. 95		
No. 1 Grand Division, Sons of Temperance, Sydney,	do. 87; do. 95		
Residents of Kempsey, on the Macleay River,	do. 87; do. 95		
Residents of Manning River District,	do. 87; do. 95		
Do. Wollongong, in Public Meeting,	do. 87; do. 95		
Inhabitants of Jamberoo and others,	do. 87; do. 95		
Do. Adelong Gold Fields, in Public Meeting,	do. 87; do. 95		
Residents of Gundagai,	do. 87; do. 95		
Do. Grenfell,	do. 87; do. 95		
Do. Liverpool,	do. 87; do. 95		
Happy Home Division, Sons of Temperance, Singleton,	do. 87; do. 95		
Wonder of the World Division, do. Luddenham, do.	87 do. 95		

REFERENCES TO THE VOTES AND PROCEEDINGS, VOL. I—SESSION 1878-9.		PAPERS.	
		VOL.	PAGE.
R			
RAILWAY REFRESHMENT ROOMS BILL (continued) :—			
PETITIONS RESPECTING, FROM (continued) :—			
Residents of Orange,	against, presented, 99; ordered to be printed, 105		
Inhabitants of Tighe's Hill and others,	do. 99;	do.	105
Residents of Cowflat and neighbourhood,	do. 104;	do.	111
Members of the New Church,	do. 104;	do.	109
Citizens of Sydney, in Public Meeting,	do. 104;	do.	109
Rose of Australia Division, Sons of Temperance,	do. 104;	do.	109
Baptist Church, Woolloomooloo, and several other Churches,	do. 104;	do.	109
Residents of the Manning River,	do. 104;	do.	109
Members of the Mariners Church, Sydney,	do. 104;	do.	109
Residents of Corowa,	do. 104;	do.	111
Ladies of the Evangelistic Committee,	do. 105;	do.	109
Members of the Ladies Flower Mission,	do. 105;	do.	109
Rector and Resident Tutor of St. John's Roman Catholic College,	do. 105;	do.	109
Residents of Lismore, in Public Meeting,	do. 105;	do.	109
Do. Lucknow,	do. 105;	do.	109
Do. North Willoughby,	do. 105;	do.	109
We Hope to Prosper Division, Daughters of Temperance,	do. 105;	do.	109
Citizens of Sydney, in Public Meeting,	do. 105;	do.	109
Residents of Pymont, do.	do. 105;	do.	109
Do. Tambaroora,	do. 109;	do.	122
Chairman of Congregational Union of New South Wales,	do. 109;	do.	114
Residents of Hinton, Morpeth, and surrounding district,	do. 113;	do.	119
Inhabitants of Bega,	do. 113;	do.	119
Citizens of Sydney, in Public Meeting,	do. 128		
Residents of Balmain, do.	do. 146		
Do. Macleay River,	do. 157		
Do. Gladstone, Smithtown, Austral-Eden, and Belmore River.	do. 157		
Citizens of Sydney,	do. 167		
Inhabitants of Balmain,	do. 167		
Residents of Kelso,	do. 224		
James Fullerton, LL.D., and others,	do. 260		
RANDWICK ASYLUM (See "CHARITABLE INSTITUTIONS.")			
RAPE :—			
Return respecting crime of, laid on Table, 609		3	347
Petition from J. Bowie Wilson, as Chairman of public meeting in Sydney, praying the House to abolish capital punishment for the crime of rape, and to make such Bill retrospective as regards the criminals Wilkinson and Medcalf, presented and read by the Clerk, 572		3	345
Motion made (Mr. McCulloch) for leave to bring in a Bill for Abolition of Capital Punishment for, and withdrawn, 535.			
RATEPAYERS (See "SYDNEY CORPORATION BILL.")			
RAYMOND TERRACE, POLICE AT :—			
Motion made (Mr. Jacob) for correspondence, minutes, reports, &c., having reference to charges made by, against one Macpherson, 565; Return to Address, laid on Table, 655		3	607
REAL PROPERTY ACTS :—			
Returns under, for 1877, laid on Table, 2		7	957
Do. 1878, do. 482		7	959
Motion made (Mr. Windeyer) for Committee of the Whole to consider expediency of appointing a Commission to inquire into working of, 22; Order of the Day postponed, 37; House in Committee, and Resolution agreed to, 138.			
RECLAMATION OF LAND :—			
PORT JACKSON :—			
Further Return (in part) to Order (Session 1876-7), laid on Table, 2		4	917
ALIENATED CROWN LANDS, PORT JACKSON :—			
Return (in part) to Order (Session 1875-6), laid on Table, 2		4	913
WHITE BAY, BALMAIN :—			
Motion made (Mr. Farnell) for Committee of the Whole to consider expediency of bringing in Bill, 141; Order of the Day discharged, 233.			
SNAIL'S BAY, BALMAIN :—			
Motion made (Mr. Farnell) for Committee of the Whole to consider expediency of bringing in Bill, 141; Order of the Day discharged, 233.			
NEUTRAL HARBOUR :—			
Motion made (Mr. Farnell) for Committee of the Whole to consider expediency of bringing in Bill, 141; Order of the Day discharged, 233.			
CAREENING COVE :—			
Motion made (Mr. Farnell) for Committee of the Whole to consider expediency of bringing in Bill, 141; Order of the Day discharged, 233.			
RECOMMITTAL :—			
Of Bills, 71, 114, 135, 261, 316, 359, 384, 385, 551, 559.			
Of Resolution, 130.			
REDFERN TO HUNTER-STREET TRAMWAY BILL :—			
Motion made (Mr. Lackey) for Committee of the Whole, 293; House in Committee, 303, 343; Resolution agreed to, 343; Message, No. 2, 361; Order of the Day postponed, 365; read 2 ^o committed, reported without Amendment, and Report adopted, 421; read 3 ^o and sent to Council, 425; returned with Amendments, 455; Amendments agreed to, and Message to Council, 468; Assent reported, 486		5	451
REDFERN TO HUNTER-STREET TRAMWAY :—			
Motion made (Mr. Sutherland) for papers having reference to supply of rails for, 379; Return to Order, laid on Table, 645		5	453
REDMOND'S ESTATE BILL :—			
Petition presented (Mr. Windeyer) for leave to bring in, 53; leave given, presented, and read 1 ^o , 58; referred to Select Committee, 67; Report brought up, 122; read 2 ^o , 173; Order of the Day postponed, 215; committed, reported, without amendment and Report adopted, 221; read 3 ^o , passed, and sent to Council, 228; returned with an Amendment, 269; Council's Amendment agreed to, 280; Assent reported, 306		7	809

REFERENCES TO THE VOTES AND PROCEEDINGS, VOL. I—SESSION 1878-9.	PAPERS.	
	VOL.	PAGE.
R		
REED, MICHAEL :—		
Motion made (<i>Mr. McElhone</i>) for correspondence, &c., in reference to conditional purchase of, at Springwood, 545.		
REFRESHMENT COMMITTEE :—		
Sessional Order passed, 8, 228.		
REFRESHMENT ROOMS (See "RAILWAY REFRESHMENT ROOMS BILL")		
REGISTERS OF MARRIAGES, BIRTHS, AND DEATHS (See also "CLERGY RETURNS TRANSFER BILL") :—		
Papers connected with the claim of H. K. James for compensation for the transfer of Church of England, to the office of the Registrar General, laid on Table, 99.....	7	879
Motion made (<i>Mr. Fitzpatrick</i>) for Committee of the Whole to consider expediency of bringing in Bill to transfer, to office of General Registry, 100.		
REGULATIONS :—		
LAI D ON TABLE :—		
Under Volunteer Force Regulation Act of 1867, 2(*), 12, 397, 666	7	327, 339
Relating to vote in aid of prospecting for gold, 2.....	4	737
Diseases in Sheep Acts Amendment Act of 1878, 7, 217, 640.....	7	639, 649
Imported Stock Act of 1871, 7, 425	7	635, 637
Mining Act of 1874, for cutting Water-races through leased lands, 109	4	903
REMOVAL OF CAMPBELL'S WALL, LOWER GEORGE STREET :—		
Motion made (<i>Mr. J. Davies</i>) for all correspondence, &c., between Municipal Council, A.S.N. Co., and the Government, relative to, 123.		
REMUNERATION TO JURORS (See "ADMINISTRATION OF JUSTICE.")		
RENT (See "MINERAL.")		
RENWICK, DR. (See "INFIRMARY SYDNEY.")		
REPORT (See "NO REPORT.")		
REPORTS :—		
LAI D ON TABLE :—		
Twenty-third Annual, of Postmaster General, on Departments under his ministerial control, being for 1877, 2	5	457
Twenty-fourth do. do. for 1878, 538	5	515
Of the proceedings of the Conference respecting the duplication of the Telegraph Lines between Australasia and Europe, held in Melbourne in May, 1878, 2	5	713
Agent for Immigration, for 1877, 2.....	7	379
Do. for 1878, 296	7	385
Manager of Government Asylums for the Infirm and Destitute, relative to expenditure for 1877, 2.....	3	969
Commissioner for Railways, on Railways of New South Wales, for 1877, 2.....	5	1
Do. do. do. and Illustrations and Maps in connection with, to be appended to the Report, 205	5	161
Auditor General's, on Abstracts of the Public Accounts of the Colony, for 1877, 5, 645.....	2	885, 1017
Twenty-second Annual, from Registrar General, on Vital Statistics, 7.....	6	877
Inspector of the Insane, for 1877, 57	3	889
Nautical School-ship "Vernon," for the year ended 30 June, 1878, 57.....	3	1019
Sydney Grammar School, for 1877, 94	3	847
Annual, from Comptroller General of Prisons, for 1877, 119	3	1029
Royal Commission, upon management of Berrima Gaol, Minutes of Evidence and Appendices, 181.....	3	1033
Parramatta Lunatic Asylum, 220.....	3	907
Do. do. for 1878, 310	3	917
Board of Audit on Public Accounts, 220	2	1163
Deputy Master of the Mint, on Gold Coinage of the Sydney Branch, for year ended 30 June, 1878, Despatch, 220	7	1013
Police Department, for 1878, 254	3	565
Royal Commission on Lands and Survey Departments, 331	4	1
Sewerage and Water Supply, for 1878, 331	7	109
Public Library, for 1878, 388	3	851
Botanic Gardens and Domains, 392.....	7	871
Vaccination, for 1878, 397	3	1411
Glebe Island Abattoirs, 458	7	619
Food supplied to Government Institutions, 482	7	673
Public Schools, for 1878, 497	3	629
Denominational Schools, for 1878, 497	3	687
Australian Museum, for 1878, 522	3	857
Manning River Oyster Beds, 562.....	7	925
Inspector of Public Charities, for 1878, 564.....	3	945
University, for 1878, 568	3	815
Government Stores Department (Part 1), 576	3	395
Agent for Immigration, on Vessels arrived and to arrive, 583.....	7	459
Public Abattoir, Glebe Island (Progress), 628	7	497
FROM SELECT COMMITTEES :—		
The Glebe Borough Bill, 46.....	7	797
Parramatta Town Hall Bill, 71	7	803
Sydney Infirmary and Dispensary Bill, 110	3	933
Redmond's Estate Bill, 122	7	809
Primitive Methodist Church Temporalities Bill, 149	7	819
City of Goulburn Gas and Coke Company's Incorporation Bill, 153	7	827
Orange Town Hall Site Sale Bill, 260.....	7	833
Mudgee Turf Club Bill, 302.....	7	839
Petition of Patrick and Michael Griffin, 326; adopted, 565	3	273
Chippendale Roman Catholic Church Land Sale Bill, 397	7	847
Cohen's Enabling Bill, 468	7	853
Jury List, Deniliquin, 522	3	141
Pilot Steamer "Captain Cook," 628.....	4	1011
Petition of Mr. E. W. Rudder (Progress), 666.....	4	865
FROM ELECTIONS AND QUALIFICATIONS COMMITTEE :—		
The case of Mr. Combes, Member for Orange, 265	2	5
Do. Mr. Rouse, Mudgee, 353	2	29
Do. Mr. Fitzpatrick, 388	2	47
Do. Mr. Sutherland, 568	2	63

REFERENCES TO THE VOTES AND PROCEEDINGS, VOL. I—SESSION 1878-9.	PAPERS.	
	VOL.	PAGE.
R		
RESERVATIONS, SPECIAL, OF OLD GRANTS OF LAND :— Papers respecting, laid on Table, 609	4	485
RESERVED BILL :— Matrimonial Causes Act Amendment, 267.		
RESERVES (See also "WATERLOO MILLS GRANT," also "CROWN LANDS") :— WATER, AT LINDSAY'S POINT, NEW ENGLAND :— Return to Order (Session 1877-8), laid on Table, 2	7	101
AT BOTANY :— Motion made (<i>Mr. McElhone</i>) that all obstructions be at once removed from, 158.		
FOR PUBLIC RECREATION :— Motion made (<i>Mr. Windeyer</i>) that Clarke, Schnapper, and Rodd Islands should be dedicated as, and placed in hands of trustees, and that land at Long Bay be secured as, by Act of Parliament, 185. Motion made (<i>Mr. Lucas</i>) for Committee of the Whole to consider Resolutions, setting apart and reserving parks and pleasure grounds for all cities, towns, villages, and other centres of population, 284; Order of the Day postponed, 297; House in Committee, and Resolution agreed to, 370.		
QUAT QUATTA :— Motion made (<i>Mr. McElhone</i>) for copies of correspondence, &c., in reference to the claim of J. Wallace, 315.		
SELECTIONS OF WOODS AND KELLY :— Motion made (<i>Mr. Garrett</i>) for papers, &c., having reference to, on Billybongevil Run, 392.		
SELECTION OF THOMAS FORAN :— Motion made (<i>Mr. Garrett</i>) for papers, &c., having reference to, on Bulderudgera Run, 392.		
TRAVELLING STOCK :— Motion made (<i>Mr. McElhone</i>) for plans or sketches of, 434. Motion made (<i>Mr. McElhone</i>) respecting removal of fences and obstructions to, 550.		
NAMOI-NARRABRI TIMBER :— Reports from surveyors and others relative to, together with plan, laid on Table, 486	4	651
NEAR WESTERN RAILWAY :— Return to Order (<i>in part</i> , Session 1876-7), laid on Table, 510	4	637
ON RUNS :— Memorandum prepared by the Surveyor General, explaining the conditions under which they would be made, laid on Table, 572	4	663
RESIDENCES FOR TEACHERS OF DENOMINATIONAL SCHOOLS (See "EDUCATION.")		
RESOLUTIONS :— FROM COMMITTEE OF THE WHOLE :— Reported, 13 (4), 17 (2), 23, 41, 47, 54, 71, 72 (2), 100, 106, 120, 123 (2), 130, 138 (2), 192, 221, 229, 240, 260, 261, 289, 338, 343 (2), 370, 412, 421, 454, 459, 471, 570 (2), 613, 625, 626. Agreed to, 13 (4), 17 (2), 23, 41, 47, 54, 71, 72 (2), 100, 106, 123 (2), 135, 138 (2), 192, 221, 229, 240, 260, 261, 289, 343 (2), 370, 412, 421, 454, 459, 471, 570 (2), 613, 625, 626. Received, 129, 134. Recommitted, 130. FROM COMMITTEE OF SUPPLY :— Reported, 129, 204, 216, 225, 268, 302, 384, 450, 542, 603, 618, 640. Agreed to, 129, 204, 216, 225, 268, 302, 384, 450, 542, 603, 625, 647. FROM COMMITTEE OF WAYS AND MEANS :— Reported, 161, 216, 226, 302, 316, 384, 450, 543, 603, 625, 647. Agreed to, 161, 216, 226, 302, 316, 384, 450, 543, 603, 625, 647.		
RESUMPTION (See also "RUSHCUTTERS BAY") :— OF LAND NEAR RUSHCUTTERS BAY :— Petition from Residents in Eastern Suburbs of Sydney, representing desirability of, by the Government, presented, 80; ordered to be printed, 88	4	911
Motion made (<i>Mr. Farnell</i>) for Committee of the Whole to consider expediency of bringing in Bill for, 141; Order of the Day discharged, 233. OF ADDITIONAL LAND AT RUSHCUTTERS BAY :— Motion made (<i>Mr. Farnell</i>) for Committee of the Whole to consider expediency of bringing in Bill for, of additional land, 141; Order of the Day discharged, 233.		
RESUMPTION OF LAND BETWEEN MACQUARIE-STREET AND THE DOMAIN (See "MACQUARIE STREET LAND RESUMPTION BILL.")		
REWARDS (See "GOLD.")		
RICHMOND RIVER, THE :— Petition from Electors of district respecting entrance to, presented, 411	4	1063
Motion made (<i>Mr. Driver</i>) for copies of petitions, letters, &c., relative to the establishment of Courts of Quarter Sessions for, 471.		
ROADS (See also "SOUTH HEAD ROADS TRANSFER BILL") :— THROUGH CROOBYAR ESTATE, ULLADULLA :— Return to Order (Session 1876-7), laid on Table, 2		889
GOULBURN TO CURRAWANG :— Motion made (<i>Mr. W. Davies</i>) for all correspondence, surveyors reports, &c., having reference to deviation in, at Bangalore Creek, 77; Return to Order, laid on Table, 152		923
IN BOROUGH OF WOOLLAHRA :— Petition from Owners of property and Residents, complaining of the state of certain roads, presented, 109; ordered to be printed, 114		981
IN BOROUGH OF PADDINGTON :— Petition from Municipal Council of Borough of Paddington, that Roads under South Head Roads Trust may be taken over by the Government, presented, 160	5	983
Do. Residents in the Borough of Paddington do. presented, 160		983
BIBBENLUKE TO BOMBALA :— Motion made (<i>Mr. Bowman</i>) for all correspondence, reports, &c., in reference to, 184; Return to Order laid on Table, 250		945
TRUST ACCOUNTS :— For the half-years ended 30 June and 31 December, 1877, laid on Table, 224		883
KINGSGROVE TO CROYDON :— Correspondence, minutes, &c., referring to the Bridge over Cook's River on, laid on Table, 224 ...		989

REFERENCES TO THE VOTES AND PROCEEDINGS, VOL. I—SESSION 1878-9.	PAPERS.	
	VOL.	PAGE.
R		
ROADS (<i>continued</i>):—		
SUBORDINATE:—		
Return showing the proposed distribution of Vote on Estimates, under Trustees, laid on Table, 260	5	971
Do. do. do. under Officers of Roads Department, laid on Table, 260	5	963
ROADS AND BRIDGES:—		
Return showing amounts previously voted for, on pages 108 to 112, on the Estimates for 1879, laid on Table, 434	2	1197
FROM BARRABA TO GUNNEDAH:—		
Motion made (<i>Mr. Dangar</i>) for correspondence, &c., respecting opening up of, 482.		
GLENMORE, AND POINT PIPER:—		
Petition from Owners of property and Residents, complaining of dangerous and impassable state of, presented, 510	5	985
GUNNING TO GUNDAROO:—		
Return showing particulars of contracts for, laid on Table, 576	5	979
ROADS BILL:—		
Motion made (<i>Mr. Lucas</i>) for Committee of the Whole, 88; Order of the Day postponed, 105; Message from Governor, recommending, 128; House in Committee, and Resolution agreed to, 133; presented and read 1 ^o , 220; Motion made for 2 ^o , and Debate adjourned, 279; Order of the Day postponed, 327, 349; Orders of the Day discharged, and Bill withdrawn, 370	5	987
ROAD WORK (See "BLOMFIELD AND MUNFORD.")		
ROBARDS, JOHN (See "CROWN LANDS.")		
ROBERTSON, SIR JOHN, K.C.M.G.:—		
Letters between His Excellency and, in reference to formation of a proposed new Administration by, read to the House, 203.		
Resignation by, as Member for Mudgee, and Seat declared vacant, 207; issue and return of Writ in room of, reported, 219.		
Acceptance of office of Vice-President of the Executive Council in Sir Henry Parkes's Administration, 215.		
ROBINSON, SIR HERCULES:—		
Motion made (<i>Sir Henry Parkes</i>) for Select Committee to prepare Valedictory Address to, 342; reply read by Speaker, 357.		
RODD ISLAND (See "RESERVES.")		
ROGERS, MR. ALEXANDER:—		
Motion made (<i>Mr. Jacob</i>) for Return showing number of actions at law engaged in by, 430; Return to Address, laid on Table, 492	3	291
ROLLING STOCK (See "RAILWAYS.")		
ROMAN CATHOLIC BISHOPS (See "CHURCH AND SCHOOL LAND FUND.")		
ROSE, THOMAS, CONDITIONAL PURCHASE OF:—		
Return to Order (<i>Session 1877-8</i>) laid on Table, 562	4	275
ROTUNDA (See "PRISONS.")		
ROUSE, RICHARD, ESQ., M.P. (See also "ELECTORAL"):—		
Return of, as Member for Mudgee, 219; sworn, 254.		
Retention of Seat by, referred to Committee of Elections and Qualifications, 263; Report brought up, and Seat given to Mr. Buchanan, 353	2	29
ROYAL COMMISSION ON LANDS DEPARTMENT (See "COMMISSION.")		
RUDDER, MR. E. W., PETITION OF:—		
Motion made (<i>Mr. R. B. Smith</i>) that Select Committee be appointed to inquire into, &c., for his services in connection with the gold discovery of 1851, 142; names added, 245; Progress Report brought up, 666	4	865
RULINGS OF SPEAKER (See also "SPEAKER"):—		
On points of Order in the House, 172, 394.		
Do. reported from Committee of the Whole, 100, 233, 355, 359, 412.		
On Motion respecting Deniliquin Town Clock, submitted twice during same Session, 172.		
On Motion involving expenditure of money improperly before the House, 394.		
On laying Bill aside, 412.		
RUNS (See "CROWN LANDS," also "RESERVES.")		
RUSHCUTTERS BAY (See also "RESUMPTION"):—		
Petition from Residents of, in vicinity of, complaining of nuisance from drains from neighbourhood of Glenmore, presented, 172	4	909
Correspondence respecting the construction of Stone Dyke, laid on Table, 192	4	905
RYAN, PATRICK (See "CROWN LANDS.")		
S		
SALARIES OF DISTRICT COURT JUDGES:—		
Motion made (<i>Mr. R. B. Smith</i>) for Committee of the Whole for Address to Governor, that Government should bring in Bill to provide for increase, negatived on Division, 158.		
SALE OF LIQUORS LICENSING ACT AMENDMENT BILL:—		
Motion made (<i>Mr. Farnell</i>) for Committee of the Whole, 188; House in Committee, Resolution reported and agreed to, and Bill presented and read 1 ^o , 192; Order of the Day postponed, 204, 225, 240, 304; Order of the Day discharged and Bill withdrawn, 604.		
SALE-YARDS (See "STOCK SALE-YARDS BILL.")		
"SAMSON," AND OTHER DREDGES:—		
Return showing amount received by Mr. John Laing as Master, laid on Table, 482	4	1003
Return respecting, laid on Table, 538, 666	4	1005
Information respecting Mr. Laing, laid on Table, 663	4	1007
"SAMUEL PLIMSOLL" (See "IMMIGRATION.")		

REFERENCES TO THE VOTES AND PROCEEDINGS, VOL. I—SESSION 1878-9.		PAPERS.	
		VOL.	PAGE.
S			
SAMUEL, THE HONORABLE SAUL, C.M.G., M.L.C. :— Acceptance of Office as Postmaster General in Sir Henry Parkes's Administration, announced, 215			
SANDWICH ISLANDS (See "COMMERCIAL TREATY.")			
SAN FRANCISCO MAIL SERVICE (See "POSTAL.")			
SAVINGS BANK, GOVERNMENT :— Statement of Accounts from 1 January to 31 December, 1878, laid on Table, 379			
		2	1191
SAVINGS BANK OF NEW SOUTH WALES :— Return respecting, laid on Table, 128			
		2	1189
SCHMUCK, HENRY <i>alias</i> WARNER :— Motion made (<i>Mr. Hungerford</i>) for copies of letters, telegrams, minutes, &c., having reference to death of, in Murrurundi Hospital, 581.			
SCHNAPPER ISLAND (See "RESERVES.")			
SCHOOLS (See "EDUCATION.")			
SEDUCTION :— Motion made (<i>Mr. Windeyer</i>) for leave to bring in Bill respecting law of, 141			
SELECT COMMITTEES (See also "REPORTS"; also "SESSIONAL ORDERS") :— Papers referred to, 146 (?). Return showing, appointed during the Session			
		1	885
BALLOTING FOR :— Sessional Order, passed, 7. ON PRIVATE BILLS :— Sessional Order in reference to Vote of Chairman, passed, 8.			
SELECTION (See "CROWN LANDS"; also "MINERAL.")			
SEQUESTERED ESTATES :— Return to Address (<i>Session 1877-8</i>), laid on Table, 128			
		3	251
SERICULTURE, LAND TAKEN UP BY MR. SMITH FOR :— Motion made (<i>Mr. McElhone</i>) for copies of papers, correspondence, &c., in reference to, 546.			
SERVICE OF SUMMONSES (See "JUSTICES ACTS FURTHER AMENDMENT BILL.")			
SESSIONAL ORDERS :— Passed, 7 ⁽⁶⁾ , 8 ⁽⁶⁾ , 228 ⁽³⁾ , 289.			
SEVIL, J., AND J. GLASS, LAND PURCHASED BY :— Motion made (<i>Mr. Bennett</i>) for copies of papers, letters, &c., with reference to, on Miller's Creek, 568.			
SEWAGE OF THE CITY AND SUBURBS :— Motion made (<i>Mr. Lucas</i>) for Committee of the Whole to consider system of neutralizing offensive properties of, 354; Order of the Day postponed, 371; House in Committee and no report, 439.			
SEWERAGE (See "WATER AND SEWERAGE BILL.")			
SHADE'S CREEK (See "CROWN LANDS.")			
SHEEP (See "DISEASES IN SHEEP ACTS AMENDMENT ACT.")			
SHIPPING (See "ISLANDERS SHIPPING ENGAGEMENT BILL.")			
SHOALHAVEN OYSTER BEDS :— Motion made (<i>Mr. W. C. Browne</i>) for further correspondence relating to, 629.			
SILK CULTURE :— Motion made (<i>Mr. Gray</i>) for all orders, minutes, correspondence, &c., as to reservation, leasing, or granting of land for sericulture at the Tweed River; and all reports, &c., respecting land occupied and said to have been improved by Mr. Charles Brady, and by leave withdrawn, 110.			
SILVER COINAGE :— Despatch laid on Table, 612			
		7	1017
SINGLETON TEMPORARY COMMON :— Return to Order (<i>Session, 1877-8</i>), laid on Table, 663			
		4	699
SITES FOR POUNDS :— Correspondence between Bench at Glen Innes and Department of Mines, respecting, laid on Table, 583			
		7	921
SLATTERY, MR., CURATOR OF INTESATE ESTATES (See also "HANCOCK, ROBERT") :— Motion made (<i>Mr. McElhone</i>) for Opinion of Crown Law Officers as to powers of, 582.			
SMALL DEBTS ACT FURTHER EXTENSION BILL :— Motion made (<i>Mr. O'Connor</i>) for leave to bring in, 51; presented, and read 1 ^o , 52; Order of the Day, postponed, 78; read 2 ^o , and committed, 91; further considered in Committee, and reported with Amendments, 153; Motion made for adoption of Report, and Debate adjourned, 173; Order of the Day postponed, 216; Report adopted, on Division, 221; read 3 ^o , passed, and sent to Council, 224; returned with Amendments, 289; Amendment disagreed to, and the rest agreed to, and Report adopted, 327; Message to Council, 332; Message from Council insisting upon Amendment, 383; Message considered, and disagreement not insisted on, 412; Message to Council to that effect, 412; Assent reported, 430.			
SMITH, BEARD, AND GILMOUR (See "CROWN LANDS.")			
SMITH, CLADIUS (See "CROWN LANDS.")			
SMITH, JOHN (See "CROWN LANDS.")			
SMITH, MR., LAND TAKEN UP BY, FOR SERICULTURE :— Motion made (<i>Mr. McElhone</i>) for copies of papers, correspondence, &c., in reference to, 546.			
"SMYRNA" (See "IMMIGRATION.")			
SNAIL'S BAY (See "RECLAMATION OF LAND.")			
SOUTH HEAD ROADS TRANSFER BILL :— Motion made (<i>Mr. Sutherland</i>) for Committee of the Whole, to consider expediency of bringing in, 164; Order of the Day postponed, 204; Order of the Day discharged, 225.			
SOUTH HEAD ROADS TRUST (See "ROADS.")			
SPALDING, MAJOR :— Motion made (<i>Mr. McElhone</i>) for correspondence, memoranda, &c., relating to particulars of insolvency of, and negatived, 610. Motion made (<i>Mr. McElhone</i>) respecting position of, in the Military Force, and negatived, 646.			
SPEAKER :— Informs House of issue and return of Writs, 1, 219 ⁽⁸⁾ , 325. Lays on Table Abstracts of Public Accounts, with Auditor General's Report thereon, for 1877, 5 Do. do., do., for 1878, 645. Lays Warrant on Table appointing Elections and Qualifications Committee, 6, 220; reports maturity of, 25, 239; appoints first meeting, 188; appoints meeting after no Quorum, 239, 240. Reports receipt of Deputy Speaker's (A. Cameron, Esq.), Commission to administer the Oath, 19.			
		2	885
		2	1017

REFERENCES TO THE VOTES AND PROCEEDINGS, VOL. I—SESSION 1878-9.	PAPERS.	
	VOL.	PAGE.
S		
SPEAKER (continued) :—		
Reports presentation of Address of Condolence to Her Majesty the Queen, on the death of Princess Alice of Hesse, 211.		
Lays on Table Minute authorizing application of Balance from one head of Service to another, 185, 254	2	1185, 1187
Reports resignation of Members, 207, 217 ⁽¹⁾ , 661.		
Lays Election Petition on Table from William Wilton and others, 263.		
Reports presentation of Vaedictory Address to His Excellency Sir Hercules Robinson, 357.		
Calls attention to statements in Petition reflecting on the conduct of certain Members, 363.		
Reads apology from Mr. Charles Kidman, 376.		
RULINGS OF :—		
That Amendment proposed in Committee of the Whole in Resolution respecting International Exhibition in Sydney, to omit the conditions of the payment, could not be entertained, 100.		
That Motion respecting Town Clock, Deniliquin, was properly before the House, 172.		
On reading from a printed book or newspaper, 233.		
As to new Clause in the Supreme Court (Additional Judge) Bill being relevant to the subject matter, 355.		
As to new Clause in the Chinese Immigration Regulation Bill being relevant to the subject matter, 359.		
That Motion for re-survey of Grants of Land held by Sir Daniel Cooper involving a charge on the Consolidated Revenue, recommendation of the Crown was necessary, 394.		
Impounding Act Amendment Bill laid aside in consequence of Council inserting new Clause which involved a charge upon the public revenue, 412.		
SPECIAL ADJOURNMENT :—		
Motion made for, and passed, 27, 71, 177, 217, 225, 296, 354, 421, 663.		
Motion made for, and withdrawn, 550.		
SPIRITS OF WINE :—		
Return of, and white spirits and fusel oil, taken out of bond, laid on Table, 228	2	1243
SPRINGS FOR RAILWAY ENGINES (See "RAILWAYS.")		
STAFFORD, EX-CONSTABLE (See "POLICE.")		
ST. ALBANS (See "BRIDGES.")		
STANDARD WEIGHT FOR MAIZE BILL :—		
Motion made (<i>Mr. T. R. Smith</i>) for Committee of the Whole, 365 ; Order of the Day postponed, 371 ; House in Committee, and Resolution agreed to, 412 ; presented, and read 1 ^o , 412 ; Order of the Day postponed, 493, 593.		
STANDING ORDERS :—		
COMMITTEE :—		
Sessional Order appointing, passed, 8, 228.		
Motion made (<i>Mr. Farnell</i>) to refer subject of Powers and Privileges of Parliament to joint Committee of both Houses, and by leave withdrawn, 12.		
SUSPENSION OF, ON :—		
Mudgee Turf Club Bill, 152.		
Consolidated Revenue Fund Bills, 215, 225, 302, 379, 450, 542, 603.		
Felons Apprehension Bill, 293.		
STATEMENT (See "MINISTERIAL STATEMENT.")		
STATION-HOUSE AT LA PEROUSE FOR THE NEW ZEALAND CABLE SERVICE :—		
Motion made (<i>Mr. Burns</i>) for copies of Papers relating to erection of, 583.		
STATISTICS (See also "HOSPITALS," also "BLUE BOOK") :—		
VITAL :—		
Twenty-second Annual Report from the Registrar General on, laid on Table, 7	6	877
STATISTICAL REGISTER :—		
Parts 1 to 5 of, for 1877, laid on Table, 22	6	207
Parts 6 and 7 of, for 1877, do. 105		
Parts 1, 2, and 3 of, for 1878, do. 603		
Parts 4, 5, 6, and 7 of, for 1878 do. 645		
STEPHEN, SIR ALFRED :—		
Message No. 1 from, informing Assembly of his assumption of the Government by, 361	2	1
STEYNE (See "DOUBLE BAY.")		
ST. LEONARDS, EAST (See "BY-LAWS.")		
STOCK (See "IMPORTED STOCK ACT," also "DISEASES IN SHEEP ACTS AMENDMENT ACT.")		
STOCK, LIVE, AND AGRICULTURE :—		
Returns of, for the year ended 31 March, 1879, laid on Table, 592	7	627
STOCK RESERVES, TRAVELLING :—		
Motion made (<i>Mr. McElhone</i>) for plans or sketches of, 434.		
Motion made (<i>Mr. McElhone</i>) respecting removal of fences and obstructions to, 550.		
STOCK SALE YARDS BILL.		
Motion made (<i>Mr. Lackey</i>) for Committee of the Whole, 6 ; House in Committee, Resolution agreed to, Bill presented and read 1 ^o , 17 ; Message, No. 5, 53 ; Order of the Day postponed, 37, 61, 91, 106, 138, 173, 216, 221 ; Order of the Day discharged, and Bill withdrawn, 279.		
Petition from Municipal Council and Citizens of Sydney, that the Bill may be amended, 31 ; ordered to be printed, 36	7	651
STORES, TENDERS FOR SUPPLY OF, FOR 1879 :—		
Return showing names of Tenderers, and amount of each Tender, laid on Table, 188	7	793
STORES DEPARTMENT (See "GOVERNMENT.")		
ST. PETERS (See "BY-LAWS.")		
STUART, A., ESQUIRE, M.P. (See "LEAVE OF ABSENCE.")		
STIPENDIARY MAGISTRATES (See "POLICE.")		
SUBORDINATE ROADS. (See "ROADS.")		
SUBURBAN RAILWAYS (See "RAILWAYS.")		
SUFFERANCE WHARFS (See "TONNAGE RATES AND PUBLIC WHARFS AMENDMENT BILL.")		
SUMMONSES (See "JUSTICES ACTS FURTHER AMENDMENT BILL.")		

REFERENCES TO THE VOTES AND PROCEEDINGS, VOL. I—SESSION 1878-9.		PAPERS.	
		VOL.	PAGE.
S			
SUNDAY TRAFFIC IN INTOXICATING LIQUORS:—			
PETITIONS RESPECTING:—			
Inhabitants of Hill End and Tambaroora deprecating, and praying amendment of existing law, presented, 12; ordered to be printed, 16	7	971	
Inhabitants of the Lower Clarence District, praying the House to take steps for vesting the granting and control of Publicans Licenses in the hands of Local Boards, and for closing of Public-houses on Sundays, presented, 109; ordered to be printed, 114	7	967	
SUPERANNUATION (See "PENSIONERS"; also "POLICE.")			
SUPPLEMENTARY ESTIMATES (See "ESTIMATES.")			
SUPPLIES FOR GOVERNMENT INSTITUTIONS:—			
Motion made (<i>Mr. McElhone</i>) for particulars of quantities of, 431.			
SUPPLY (See also "FINANCE"):—			
Sessional Order passed, 7.			
Motion made (<i>Mr. Cohen</i>) for House to go into Committee of, 122.			
Do. (<i>Sir Henry Parkes</i>) do. 225.			
House in Committee, 129, 204, 216, 225, 268, 302, 316, 333, 366, 376, 380, 383, 394, 418, 422, 435, 445, 450, 523, 526, 531, 542, 559, 570, 582, 584, 589, 597, 600, 603, 604, 610, 613, 618, 640 (?)			
Resolutions reported, 129, 204, 216, 225, 268, 302, 384, 450, 542, 603, 618, 640.			
Resolutions agreed to, 129, 204, 216, 225, 268, 302, 384, 450, 542, 603, 625, 647.			
Chairman reports no quorum, 526, 559, 597.			
Order of the Day discharged, 666.			
Messages from His Excellency the Governor referred to, 122, 185, 204, 215, 224, 259, 268, 301, 381, 443, 541, 588, 589, 603.			
Contingent Motion moved (<i>Mr. W. H. Suttor</i>) respecting Railway, Raglan to Mudgee, and negatived, 366.			
Amendment moved (<i>Mr. Buchanan</i>) respecting apprehension of the Kelly gang, and negatived, 418.			
Amendment moved (<i>Mr. Buchanan</i>), for Address respecting reprieve of the Hatfield Bushrangers and the criminals Medcalf and Wilkinson, and the execution of Alfred, an aboriginal, and withdrawn, 582; same Amendment moved and agreed to, 584; Return to Address laid on Table, 618	3	315	
SUPREME COURT (ADDITIONAL JUDGE) BILL:—			
Motion made (<i>Mr. Windeyer</i>), for Committee of the Whole, 332; Message No. 43 from Governor, 337; House in Committee and Resolution reported, 338; agreed to, 343; read 2°, committed, point of order in Committee reported, reported with Amendments and Report adopted, 355; read 3° and sent to Council, 358; returned with Amendments, 398; Amendments considered, agreed to, and disagreed to, 404; Message to Council, 418; Message from Council insisting upon its Amendments disagreed to by the Assembly, 455; House in Committee to consider Council's Message of 24th April and Resolution agreed to, 471; Message to Council still insisting upon its disagreements and expressing dissent with terms of Message of 24th April, 472; Message from Council adhering to Amendments, and Bill laid aside, 512	3	353	
SUPREME COURT TEMPORARY JUDGE BILL:—			
Motion made (<i>Mr. Windeyer</i>), for Committee of the Whole, 566; Message No. 27, 568; House in Committee, and Resolution agreed to, and Bill read 1°, 570; read 2°, committed, reported with Amendments and Report adopted, 573; read 3°, and sent to Council, 576; returned with an Amendment, 596; Amendment agreed to and message to Council, 600; Assent reported, 609	3	355	
SURPLUS, ACCUMULATED (See "ESTIMATES.")			
SURVEY DEPARTMENT:—			
Correspondence respecting resignation of Mr. James Thomson, laid on Table, 160	4	213	
Correspondence respecting appointment of a Board to inquire into working of, 283	4	195	
Report of Royal Commission laid on Table, 331	4	1	
SUSPENSION (See "STANDING ORDERS.")			
SUTHERLAND, JOHN, ESQ., MEMBER FOR PADDINGTON:—			
Retention of Seat by, referred to Committee of Elections and Qualifications, 483; Report brought up, 568; papers handed in before Committee returned to the Auditor General, 646	2	63	
SUTTOR, THE HONORABLE FRANCIS BATHURST, ESQUIRE, M.P.			
Acceptance of office as Minister of Justice and Public Instruction announced, 215; resignation reported and Seat as a Member for Bathurst declared vacant, 217; issue and return of Writ reported, and Member sworn, 219.			
SUTTOR, WILLIAM HENRY, ESQ., M.P.:—			
Resignation of, for East Macquarie reported, 661.			
SWEET-BRIER:—			
Petition from residents of Collector and neighbourhood that steps may be taken for eradicating this shrub, presented, 160	7	979	
SWORN (See "MEMBERS.")			
SYDNEY (See also "CITY OF SYDNEY IMPROVEMENT BILL"; also "INTERNATIONAL EXHIBITION"; also "RAILWAYS"; also "WATER SUPPLY"):—			
BRANCH ROYAL MINT:—			
Despatch, Report, of Deputy Master on the Gold Coinage for the year ended 30 June, 1878, laid on Table, 220	7	1013	
Despatch laid on Table, 331	7	1015	
UNIVERSITY:—			
Report of Senate of, for 1878, laid on Table, 568	3	815	
Amended By-laws of, laid on Table, 520	3	845	
Return showing Benefactions bestowed on, laid on Table, 397	3	843	
INFIRMARY:—			
Motion made (<i>Mr. Greenwood</i>) respecting efficiency of, and by leave withdrawn, 51.			
Motion made (<i>Mr. Fitzpatrick</i>), that the Directors have permission to remove the main buildings in Macquarie-street, 74.			
Correspondence respecting the refusal to admit Christina Ogilvie into, laid on Table, 562	3	941	
GRAMMAR SCHOOL:—			
Report for 1877, laid on Table, 94	3	847	
CORPORATION:—			
Papers on financial condition of, laid on Table, 331	7	203	
AND NEWCASTLE:—			
Motion made (<i>Mr. Cameron</i>) for Return showing names of vessels cleared from Ports of, for Ports coming under the Agreement with Victoria for the maintenance of certain Light-houses, 510; Return (<i>in part</i>) to Order, laid on Table, 663	4	975	

REFERENCES TO THE VOTES AND PROCEEDINGS, VOL. I—SESSION 1878-79.	PAPERS.	
	VOL.	PAGE.
S		
SYDNEY CORPORATION BILL :—		
Motion made (<i>Mr. Fitzpatrick</i>) for Committee of the Whole, 8 ; House in Committee, Resolution agreed to, 13 ; presented and read 1 ^o , Message from Governor recommending, 36 ; read 2 ^o and committed, 58 ; House again in Committee, 74 ; House again in Committee, 81 ; Order of the Day postponed, 97 ; House again in Committee, 101, 131, 135, 229, 240, 242 ; Message from Governor, to cover further expenses incurred by Amendments in, 250 ; House again in Committee, 254 (?), 269, 276, 297 ; reported with Amendments, 297 ; Order of the Day postponed, 316, 380 ; recommitted, 384 ; reported 2 ^o with further Amendments, and again recommitted, 385 ; reported, 3 ^o with further Amendments, and Report adopted, 385 ; read 3 ^o , and sent to Council, 392 ; returned with Amendments, 504 ; Order of the Day postponed, 515 ; Amendments considered and Report adopted, 523 ; Message agreeing to some, disagreeing from others, and amending one of the Council's Amendments, 527 ; Message not insisting on its Amendment disagreed to by the Assembly proposing another Amendment, and agreeing to the Assembly's Amendment upon the Council's Amendment, 559 ; Council's Amendment last proposed agreed to with Amendments, and Message to Council, 570 ; Message from Council disagreeing from Assembly's Amendment upon the Council's Amendment, and agreeing to the Assembly's Amendment upon the Council's Amendment, with an Amendment, 588 ; House in Committee and Amendments agreed to, and Message to Council, 600 ; Assent reported, 627.....	7	199, 201
Petition from W. J. Trickett, Chairman of a Public Meeting of Residents and Ratepayers in and about the Borough of Woollahra, presented, 80 ; ordered to be printed, 95.....		183
Do. Mayor and Aldermen of Suburban Borough and Municipal District of Woollahra, presented, 80 ; ordered to be printed, 95.....		185
Do. Omnibus and Wagonette-owners, presented, 81 ; ordered to be printed, 83.....		181
Do. Municipal Council of Paddington, presented, 94 ; ordered to be printed, 100.....		187
Do. William Bailey, Chairman of Public Meeting, Town Hall, Newtown, presented, 99 ; ordered to be printed, 105.....		189
Do. Mayor and Aldermen of Suburban Borough and Municipal District of Waverley, presented, 109 ; ordered to be printed, 114.....		191
Do. Mayor and Aldermen and Citizens of Sydney, that Clause referring to Election of Mayor by the Citizens may be reconsidered, presented, 122 ; ordered to be printed, 129.....		193
Do. Mayor and Aldermen, Borough of Petersham, that the Bill should be amended before passing, presented, 167.....		195
Return showing number of Ratepayers in Sydney, and estimated number of Ratepayers who will have one, two, three, and four votes under the provisions of, laid on Table, 99.....		197
SYDNEY, CITY OF, IMPROVEMENT BILL (See "CITY OF SYDNEY IMPROVEMENT BILL.")		
SYDNEY INFIRMARY (See "CHARITABLE INSTITUTIONS"; also "INFIRMARY.")		
SYDNEY INFIRMARY AND DISPENSARY BILL :—		
Petition presented (<i>Mr. Driver</i>) for leave to bring in, 57 ; leave given, 60 ; presented and read 1 ^o , 60 ; referred to Select Committee, 83 ; Report brought up, 110 ; read 2 ^o , committed, reported with Amendments, and Report adopted, 153 ; read 3 ^o , passed, and sent to Council, 157.....	3	933
SYDNEY INTERNATIONAL EXHIBITION BILL :—		
Message No. 36, 612 ; Motion made (<i>Mr. Watson</i>) for Committee of the Whole, 613 ; House in Committee, 625 ; Resolution agreed to, 626 ; presented and read, 1 ^o , 626 ; read 2 ^o , committed, reported without Amendment, and Report adopted, 633 ; read 3 ^o and sent to Council, 636 ; returned without Amendment, 646 ; Assent reported, 657.		
SYDNEY, PORT OF (See "VESSELS.")		
SYDNEY TRAMWAY AND OMNIBUS COMPANY (LIMITED) BILL :—		
Petition presented (<i>Mr. Driver</i>) for leave to proceed with, under Standing Order, 64b, 17 ; presented and read 1 ^o , 31 ; Order of the Day postponed, 60 ; Motion made for 2 ^o and House counted out, 84 ; Order of the Day restored, 111 ; Order of the Day postponed, 216, 221, 261 ; Order of the Day for 2 ^o read, and House counted out, 311.		
SYDNEY WATER SUPPLY (See "WATER SUPPLY.")		
T		
TALBOT, CAPTAIN (See "VOLUNTEERS.")		
TANKS, PUBLIC :—		
Motion made (<i>Mr. Dangar</i>) for all correspondence relative to the construction and maintenance of, in The Gwydir Electorate, 245.		
TARIFF, ITALIAN :—		
Despatch laid on Table, 612.....	2	1253
TECHNICAL OR WORKING MEN'S COLLEGES :—		
Motion made (<i>Mr. Teece</i>) for Committee of the Whole to consider Address, and House counted out, 535.		
TELEGRAPH (See also "POSTAL") :—		
DUPLICATION OF THE LINES BETWEEN AUSTRALASIA AND EUROPE :—		
Report of the Proceedings of the Conference respecting, held in Melbourne, in May, 1878, laid on Table, 2.....		713
Correspondence concerning the transaction of business on the Java lines, laid on Table, 2.....		809
Correspondence respecting duplication of the Cable, laid on Table, 12.....		763
Further papers respecting, laid on Table, 51.....		781
Do. do. 114.....		783
Do. do. 156.....		787
Do. do. 207.....		789
Do. do. 250.....		803
Do. do. 583.....	5	805
DUPLICATION OF THE PORT DARWIN CABLE :—		
Message from the Governor recommending provision for, 94 ; Motion made (<i>Mr. Burns</i>) for Committee of the Whole, that the House approves of the Agreement agreed upon by the various Colonial Governments and the Telegraph Company, 95 ; House in Committee, 115, 119 ; Resolution reported, 120 ; received, re-committed, and reported, 2 ^o , with Amendments, 129, 130 ; received, read 2 ^o , and agreed to, 135.....		807
PORT DARWIN CABLE—CORAL :—		
Motion made (<i>Mr. McElhone</i>) for samples from coral reefs and seas through which the Cable from Port Darwin to Banjoewangie connecting Australia with Europe is laid, 68.		
Samples, laid on Table, as exhibits only, 94.....		

REFERENCES TO THE VOTES AND PROCEEDINGS, VOL. I.—SESSION 1878-9.	PAPERS.	
	VOL.	PAGE.
T		
TELEGRAPH (<i>continued</i>):—		
LINE FROM YOUNG TO MORANGARELL:—		
Motion made (<i>Mr. Watson</i>) for copies of all documents, reports, &c., respecting Mr. E. McEvoy's claim against the Telegraph Department for construction of, 70; Return to Order, laid on Table, 205		867
GRAFTON AND GLEN INNES CONTRACT:—		
Return to Order (<i>Session 1877-8</i>), laid on Table, 53; ordered to be printed, 157		819
LINE, KEMPSEY TO GRAFTON:—		
Return to Order (<i>Session 1877-8</i>), laid on Table, 160		851
Motion made (<i>Mr. Cameron</i>) for contracts, specifications, correspondence, &c., respecting construction of, 284; Return to Order, laid on Table, 288	5	865
COMMUNICATION WITH MUNDOORAN:—		
Petition from Residents of Town and District of Mundooran, praying that steps be taken to forthwith carry out, presented, 184		881
WIRE AND TELEGRAPH MATERIAL:—		
Motion made (<i>Mr. McElhone</i>) for copies of tenders, correspondence, &c., in reference to supply of, to the Government, 515; Return to Order, laid on Table, 588		873
STATION-HOUSE AT LA PEROUSE FOR THE NEW ZEALAND CABLE SERVICE:—		
Motion made (<i>Mr. Burns</i>) for copies of papers relating to erection of, 583.		
LINE FROM ENGLAND TO AUSTRALIA:—		
Motion made (<i>Captain Onslow</i>) for correspondence having reference to establishment of, through the Agent General for the Colony, 655.		
TEMPORARY JUDGE BILL (See "SUPREME COURT TEMPORARY JUDGE BILL.")		
TENDERS:—		
FOR SUPPLY OF STORES FOR 1879:—		
Return showing names of Tenderers, and amount of each tender, laid on Table, 188	7	793
FOR SUPPLIES FOR GOVERNMENT INSTITUTIONS:—		
Motion made (<i>Mr. W. Davies</i>) for copies of successful Tenders, 371.		
FOR SUPPLY OF BLANKETS:—		
Motion made (<i>Mr. Greenwood</i>) for copies of, for 1879 and 1880, and for copies of letters, minutes, &c., in connection therewith, 520; Return to Order, laid on Table, 603	7	765
TENTERFIELD (See "BY-LAWS.")		
THE EQUITY BILL:—		
Received from Council and read 1 ^o , 484; Order of the Day postponed, 535, 562, 629.		
THE GLEBE (See "BY-LAWS.")		
THE GLEBE BOROUGH BILL:—		
Petition presented (<i>Mr. Stephen Brown</i>) for leave to bring in, 2; leave given, 8; presented and read 1 ^o , 12; referred to Select Committee, 16; Report brought up, 46; read 2 ^o , committed, reported without Amendment, and Report adopted, 84; read 3 ^o , passed, and sent to Council, 89; returned without Amendment, 147; Assent reported, 160	7	797
THE GLEBE FREE LIBRARY:—		
By-laws of, laid on Table, 663	7	177
THOMSON, MR. JAMES (See "COMMISSION.")		
TIMBER RESERVE, NAMOI-NARRABRI:—		
Reports of Surveyors and others relative to, together with plan, laid on Table, 486	4	651
TOLLS AND FERRY DUES:—		
Motion made (<i>Mr. Lackey</i>) for rescission of Resolutions passed on 1st May and 17th July, 1877, abolishing, 618; Previous Question moved and resolved in the affirmative, 618.		
TONNAGE RATES AND PUBLIC WHARVES AMENDMENT BILL:—		
Motion made (<i>Mr. Cohen</i>) for Committee of the Whole, 60; House in Committee, and Resolution agreed to, 72; presented and read 1 ^o , 72; Order of the Day postponed, 81, 97; read 2 ^o , committed, reported with Amendments, and amended Title, and Report adopted, 100; read 3 ^o , passed, and sent to Council, 119; returned without Amendment, 150; Assent reported, 160.		
TOURISTS RAILWAY MAP:—		
Motion made (<i>Mr. Macintosh</i>) for copy of, 337; Return to Order, laid on Table, 645	5	227
TOWN CLOCK FOR TOWN HALL, DENILIQUIN:—		
Motion made (<i>Mr. Barbour</i>) for Committee of the Whole for Address to Governor, that £300 be placed on Estimates for supply and erection of, and negatived, 122.		
Motion again made (<i>Mr. Barbour</i>) to same effect, <i>Point of Order</i> raised that Question had been decided during the Session, overruled by Mr. Speaker, and carried on Division, 172; Order of the Day postponed, 216, 221; Order of the Day discharged, 232.		
TRADE (See "BOARD OF TRADE.")		
TRAMROAD (See "SYDNEY"; also "REDFERN TO HUNTER-STREET TRAMWAY.")		
TRAMWAY (See also "SYDNEY TRAMWAY AND OMNIBUS COMPANY (LIMITED) BILL"; also "REDFERN TO HUNTER-STREET TRAMWAY BILL"):		
REDFERN TO HUNTER-STREET:—		
Motion made (<i>Mr. Sutherland</i>) for papers having reference to supply of rails for, 379; Return to Order laid on Table, 645	5	453
TRANSFER OF CONDITIONAL PURCHASES DECLARATORY BILL:—		
Motion made (<i>Mr. Driver</i>) for leave to bring in, 326; presented and read 1 ^o , 326; Order of the Day postponed, 349; read 2 ^o , committed, reported with an Amendment, and Report adopted, 411; read 3 ^o and sent to Council, 420; returned with Amendments, 526; Amendments agreed to, and disagreed to, 534; Message to Council, 539; Council does not insist, 559; Assent reported, 575.		
TRAVELLING EXPENSES (See "CIVIL SERVICE"; also "EDUCATION.")		
TRAVELLING STOCK RESERVES:—		
Motion made (<i>Mr. McElhone</i>) for plans or sketches of, 434.		
Motion made (<i>Mr. McElhone</i>) respecting removal of fences and obstructions on, 550.		
TREATY SIGNED AT BERNE:—		
Papers relating to, on 9th October, 1874, in reference to the formation of a General Postal Union, laid on Table, 205	5	615
TUCKER, GEORGE ALFRED:—		
Petition from, respecting contract entered into by him with Government for the treatment of lunatic patients, and praying to be allowed to continue his contract, notwithstanding provisions of Lunacy Bill, presented, 41; ordered to be printed, 46	3	931
TUESDAY:—		
Sessional order giving precedence to Government Business on, after Seven o'clock, passed, 239.		

REFERENCES TO THE VOTES AND PROCEEDINGS, VOL. I—SESSION 1878-9.	PAPERS.	
	VOL.	PAGE.
T		
TUMUT, THE (See "ELECTORAL.")		
TWEED RIVER :—		
Motion made (<i>Mr. Gray</i>) for Committee of the Whole, that £15,000 be placed on Supplementary Estimates for 1878 for improvement of entrance to, and by leave withdrawn, 185.		
U		
UNDERWOOD'S ESTATE DISTRIBUTION BILL :—		
Message from Council, asking leave to examine Member of Assembly (<i>Mr. McCulloch</i>) before Select Committee, 36; Message granting leave, 37.		
UNIVERSITY (See also "ELECTORAL") :—		
Report of Senate of, for year 1878, laid on Table, 568	3	815
By-law of, laid on Table, 520	3	845
Return showing Benefactions bestowed upon, laid on Table, 397	3	843
URALLA (See "LANDS.")		
USHER OF THE BLACK ROD :—		
Delivers Message from His Excellency the Governor to attend in Legislative Council Chamber, 1, 667		
V		
VACANT SEATS :—		
ELECTORAL DISTRICT OF :—		
Canterbury—Re-election of Sir Henry Parkes's Administration, 217.		
The Lachlan, Do. do. 217.		
The Tumut, Do. do. 217.		
Central Cumberland, Do. do. 217.		
Bathurst, Do. do. 217.		
Gold Fields South Do. do. 217.		
The University of Sydney, Do. do. 217.		
Mudgee—Resignation of Sir John Robertson, 207.		
Orange—Report from Elections and Qualifications—vacation of Seat held by E. Combes, Esq., 265	2	5
Mudgee Do. do. Seat given to D. Buchanan, Esquire, 353	2	29
East Macquarie, 661.		
VACCINATION :—		
Report on, for 1878, laid on Table, 397	3	1411
VAGRANCY :—		
Motion made (<i>Mr. Cameron</i>) for Return showing the number of convictions for, from June, 1877, to present date, with the particulars in each case, 284; Return to Order, laid on Table, 342	3	277
VALEDICTORY ADDRESS (See "ROBINSON, SIR HERCULES.")		
VEGETABLE GARDEN ATTACHED TO BOTANICAL GARDENS :—		
Motion made (<i>Mr. R. B. Smith</i>) respecting opening of, to the public, and no tellers for the Ayes, on Division, 582.		
VENEREAL DISEASE :—		
Motion made (<i>Captain Onslow</i>) for all correspondence between the Naval and other authorities and His Excellency the Governor on the subject of the prevalence of, in the City of Sydney, 220; Return (<i>in part</i>) to Address, laid on Table, 224	7	897
"VERNON," N.S.S. :—		
Report on, for the year ended 30th June, 1878, laid on Table, 57	3	1019
Report on food supplied to, laid on Table, 482	7	673
VESSELS CLEARED AT PORTS OF SYDNEY AND NEWCASTLE :—		
Motion made (<i>Mr. Cameron</i>) for Return showing names of, for ports coming under the agreement with Victoria for the maintenance of certain lighthouses, 510; Return (<i>in part</i>) to Order, laid on Table, 663	4	975
VICTORIA (See BY-LAWS.)		
VITAL STATISTICS :—		
Twenty-second Annual Report from the Registrar General on, laid on Table, 7	6	877
VOLUNTEER LAND ORDERS BILL :—		
Motion made (<i>Mr. Fitzpatrick</i>) for leave to bring in, 119; presented and read 1 ^o , 129; motion made for 2 ^o , and Debate adjourned, 147; Order of the Day postponed, 204, 225, 229, 240, 304; read 2 ^o , committed, and reported with Amendments, 647.		
VOLUNTEERS :—		
FORCE REGULATION ACT OF 1867 :—		
Amended Regulations under, laid on Table, 2		327
Regulations under, laid on Table, 2, 12, 397, 666		329, 339
Statement of moneys expended in 1878 under, laid on Table, 421		341
LAND ORDER REGULATIONS :—		
Motion made (<i>Mr. McElhone</i>) for copies of original memo. of Executive Council, and all other documents relating to framing of, 52; Return to Address, laid on Table, 88		257
LAND ORDERS :—		
Motion made (<i>Mr. McElhone</i>) that the opinion of the Attorney General, Crown Solicitor, and any other leading barrister, should be obtained as to the legality of transfer of, from original grantees, and by leave withdrawn, 68; Motion again made (<i>Mr. McElhone</i>) and passed, 251.		
Correspondence relating to outstanding claims to, laid on Table, 207		271
Further do. do. do. 220		307
Do. do. do. 260	7	309
Motion made (<i>Mr. McElhone</i>) for original memo. of Executive Council, and all other documents, minutes, &c., in reference to making transferable, 254.		
Petition from Alfred T. Coomber, that he has been refused the necessary certificate, presented, 211		323
HALL, WINDSOR :—		
Motion made (<i>Mr. Driver</i>) for all correspondence, &c., respecting application for use of the Loyal Orange Lodge No. 52, and refusal of the same by the Government, 177; Return to Order, laid on Table, 207		375
ARTILLERY, CAPTAIN TALBOT :—		
Motion made (<i>Mr. J. Davies</i>) for all correspondence, minutes, &c., referring to application of, of No. 2 Battery, to retain his position under new regulations, and his subsequent retirement, 181; Return to Order, laid on Table, 220		343

REFERENCES TO THE VOTES AND PROCEEDINGS, VOL. I—SESSION 1878-9.		PAPERS.	
		VOL.	PAGE.
V			
VOLUNTEERS (continued) :—			
LAND ORDERS TO QUARTER-MASTER NOBLE AND LIEUTENANT MURRAY :—			
Motion made (<i>Mr. J. Davies</i>) for correspondence, minutes, &c., connected with issue of, late of No. 2 Battery, 181; Return to Order, laid on Table, 220			311
PARRAMATTA :—			
Papers in reference to money in possession of Captain Byrnes, laid on Table, 353.....			347
EFFICIENCY CERTIFICATES :—			
Copy of Opinion of Attorney General as to validity of selections of land by transferees of, laid on Table, 370	7		321
UNREGISTERED LAND ORDERS :—			
Motion made (<i>Mr. Lynch</i>) for Opinion of Attorney General as to the validity of unregistered, 411; Return to Resolution, laid on Table, 482			325
MAJOR BLACK, KIAMA :—			
Motion made (<i>Mr. Charles</i>) for correspondence, &c., between, and the Brigade Office, 462; Return to Address, laid on Table, 555			349
VOTE OF CREDIT :—			
Message No. 24, for services for 1878 and 1879, laid on Table, 204			1201
Do. No. 25, for services for 1878 and 1879, laid on Table, 215.....			1203
Do. No. 27, for services for 1878 and 1879, laid on Table, 224.....			1205
Do. No. 38, for February, laid on Table, 301.....			1207
Do. No. 7, for March, do. 381.....	2		1209
Do. No. 12, for April, do. 443.....			1211
Do. No. 21, for May, do. 541.....			1213
Do. No. 33, for June, do. 603.....			1215
VOTE OF CHAIRMAN OF SELECT COMMITTEE ON PRIVATE BILLS :—			
Sessional Order passed, 8.			
W			
WAGGA WAGGA (See "RAILWAYS"; also "COMMON," also "BY-LAWS.")			
WALLACE, MESSRS. (See "CROWN LANDS.")			
WALLINGS, MRS. (See "POLICE.")			
WALLSEND COLLIERY, PITFALL AT :—			
Motion made (<i>Mr. Cameron</i>) for papers, minutes, and reports from the Examiner of Coal Fields and Inspector of Coal Mines relative to, 444; Return to Order laid on Table, 496	4		851
WANT OF CONFIDENCE IN THE MINISTRY :—			
Motion made (<i>Sir Henry Parkes</i>) that an Address be presented to the Governor, that this House declines to proceed with public business while the present Ministers are allowed to retain office, 211.			
WARATAH (See "CIVIL SERVICE.")			
WARATAH COUNCIL CHAMBERS RESUMPTION BILL :—			
Motion made (<i>Mr. Hoskins</i>) for leave to bring in, 583; presented and read 1°, 583; read 2°, committed, reported without Amendment, and Report adopted, 613; read 3° and sent to Council, 617; returned without Amendment; 640; Assent reported, 643.			
WARRANT (See "ELECTIONS AND QUALIFICATIONS COMMITTEE.")			
WATER AND SEWERAGE BILL :—			
Motion made (<i>Mr. Fitzpatrick</i>) for Committee of the Whole, 8; House in Committee, Resolution agreed to, 13; presented and read 1°, 94; Message No. 9, 94; read 2° and committed, 135; Order of the Day postponed, 229, 240, 304.....	7		113
WATERLOO MILLS GRANT :—			
Motion made (<i>Mr. McElhone</i>) that Government should resume ten acres of land reserved for public purposes in, granted to one Hutchinson in May, 1823, 158.			
WATER CONSERVATION BILL :—			
Motion made (<i>Mr. Farnell</i>) for Committee of the Whole, 58; House in Committee, 71; and Resolution agreed to, 72; presented and read 1°, Message No. 16, 129; Order of the Day discharged, 225	7		107
WATER-RACES (See "MINERAL.")			
WATER RESERVE (See "RESERVES.")			
WATER SUPPLY (See also "CROWN LANDS"; also "WATER AND SEWERAGE BILL") :—			
FOR SYDNEY AND SUBURBS :—			
Return to Order (<i>Session 1877-8</i>), laid on Table, 88	7		1
Motion made (<i>Mr. Hungerford</i>) for two letters of Mr. James Manning on, by gravitation, addressed to the Minister for Works, such letters to form part of the printed book on, as moved for by Mr. Cameron, 251; Return to Order, laid on Table, 326	7		1
Petition from Mr. James Manning against the Upper Nepean Waterworks Scheme, presented, 618	7		97
Motion made (<i>Mr. Hungerford</i>) that no steps should be taken for carrying out any scheme for, until further engineering information has been obtained, and negatived, 659.			
By-laws respecting, Municipal District of Hay, laid on Table, 109	7		141
Report on, for 1878, laid on Table, 331	7		109
WATSON, THE HONORABLE JAMES, ESQUIRE, M.P. :—			
Acceptance of office as Colonial Treasurer announced, 215; resignation reported and Seat as Member for The Lachlan declared vacant, 217; issue and return of Writ reported, and Member sworn, 219.			
WAYS AND MEANS (See also "FINANCE") :—			
Sessional Order passed, 7.			
Motion made (<i>Mr. Cohen</i>) for House to go into Committee, 122.			
Do. (<i>Mr. Watson</i>) do. 226.			
Do. and by leave withdrawn, 305.			
House in Committee, 129, 147, 150, 161, 216, 226, 269, 293, 302, 304, 306, 307, 316, 384, 450, 542, 603, 625, 647.			
Resolutions reported, 161, 216, 226, 302, 316, 384, 450, 543, 603, 625, 647.			
Resolutions agreed to, 161, 216, 226, 302, 316, 384, 450, 543, 603, 625, 647.			
Estimates of, for 1879 (<i>Mr. Cohen</i>) laid on Table, 129	2		603
Do. (<i>Mr. Watson</i>) do. 269	2		731
Explanatory Statements of the Public Accounts for 1879, as embodied in, laid on Table, 129, 269. Order of the day discharged, 666.	2		719, 873
WENTWORTH WHARF (See "GARDNER, JAMES.")			
WESLEYAN CEMETERY (See "NECROPOLIS.")			

REFERENCES TO THE VOTES AND PROCEEDINGS, VOL. I—SESSION 1878-9.	PAPERS.	
	VOL.	PAGE.
W		
WEST MAITLAND (See "BY-LAWS.")		
WHARFAGE, CIRCULAR QUAY :— Return of Rent received for the years 1870-1877 inclusive, and for half-year ended June, 1878, with cost of collection, laid on Table, 36	4	991
WHARFAGE AND TONNAGE RATES BILL :— Motion made (<i>Mr. Watson</i>) for Committee of the Whole, 418; House in Committee and Resolution agreed to, 421; presented and read 1 ^o , 425; Order of the Day postponed, 435, 445		
WHARFS (See "TONNAGE RATES AND PUBLIC WHARFS AMENDMENT BILL.")		
WHITE BAY (See "RECLAMATION OF LAND.")		
WHITE SPIRITS (See "SPIRITS OF WINE.")		
WIDOW OF THE LATE JOHN DUNMORE LANG :— Motion made (<i>Sir John Robertson</i>) for Committee of the Whole to consider Address to Governor that £3,000 be placed on Supplementary Estimates for, 157; Order of the day discharged, 173.		
WILKINSON, CRIMINAL CONDEMNED FOR RAPE. (See "ADMINISTRATION OF JUSTICE.")		
WILLIAMS RIVER (See "BRIDGES.")		
WINDEYER, THE HONORABLE WILLIAM CHARLES, ESQUIRE, M.P. :— Acceptance of office as Attorney General announced, 215; Seat as Member for the University of Sydney declared vacant, 217; issue and return of Writ reported, and Member sworn, 219.		
WINDSOR (See "VOLUNTEERS.")		
WIRE AND TELEGRAPH MATERIAL :— Motion made (<i>Mr. McElhone</i>) for copies of tenders, correspondence, &c., in reference to supply of, to the Government, 515; Return to Order, laid on Table, 588	5	873
WITNESS :— Message from Council asking leave to examine Member of Assembly before Select Committee, 36; Message to Council granting leave, 37; Message from Assembly asking leave for Member of Council to appear as witness before Select Committee of Assembly on the Mudgee Turf Club Bill, 274; Message from Council granting leave, 276.		
WOLLONGONG (See "BY-LAWS.")		
WOODS AND KELLY (See "RESERVES.")		
WOOLLAHRA, BOROUGH OF :— Petition from owners of property and residents in, complaining of the state of certain roads, presented, 109; ordered to be printed, 114.....	5	981
WORKING MEN'S COLLEGES (See "TECHNICAL OR WORKING MEN'S COLLEGES.")		
WORKING OF THE REAL PROPERTY ACTS :— Motion made (<i>Mr. Windeyer</i>) for Committee of the Whole to consider expediency of appointing a Commission to inquire into, 22; Order of the Day postponed, 37; House in Committee and Resolution agreed to, 138.		
WRITS OF ELECTION :— ISSUE AND RETURN OF, REPORTED :— Mudgee, election of Richard Rouse, Esq., of Guntawang, 219. Canterbury, re-election of the Honorable Sir Henry Parkes, 219. The Lachlan, do. do. James Watson, Esq., 219. The Tumut, do. do. James Hoskins, Esq., 219. Central Cumberland, do. do. John Lackey, Esq., 219. Bathurst, do. do. Francis Bathurst Suttor, Esq., 219. Gold Fields South, do. do. Ezekiel Alexander Baker, Esq., 219. The University of Sydney, do. William Charles Windeyer, Esq., 219. Orange, election of Andrew Taylor Kerr, Esq., 325.		
Y		
YANKO RESERVE (See "CROWN LANDS.")		
YASS PLAINS (See "ELECTIONS AND QUALIFICATIONS COMMITTEE.")		
YASS (See "RAILWAYS.")		
YOUNG (See "TELEGRAPH.")		
Z		
ZOLLNER, BIDDELL, & OTHERS (See "DARLING HARBOUR,")		

New South Wales.

BLUE BOOK

FOR THE YEAR

1878,

COMPILED FROM OFFICIAL RETURNS IN THE REGISTRAR GENERAL'S OFFICE.

Presented to both Houses of Parliament by Command.



SYDNEY:

BY AUTHORITY: THOMAS RICHARDS, GOVERNMENT PRINTER, PHILLIP-STREET.

1879.

BLUE BOOK.

1878.

TABLE OF CONTENTS.

	PAGE.
Alphabetical Index to Contents	v
Civil Establishments, &c.—Index of Officers... ..	ix
Governors	2
Parliaments	3
Ministries	4
Executive Council—Members	8
Legislative Council—Members, &c.	8
Legislative Assembly—Members, &c.... ..	9
Civil Establishments	13
Ecclesiastical Establishments	134
Education	136
Pensions	138
Foreign Consuls	141
Returning Officers	142
Agreements Validating Officers	143
Guardians of Minors	144

ALPHABETICAL INDEX TO CONTENTS.

	Page.		Page.
Abattoir—Glebe Island	79	Colonial Distilleries and Sugar Refineries...	74
Administration of Justice	49	Colonial Warlike Stores—Board for Inspect- ing and maintaining Supply of	79
Agent for the Church and School Estates...	89	Colonial Secretary	20
Agent for Immigration	30	" Summary	19
Agent General—Colonial	45	Colonial Treasurer	70
Agents for the Sale of Crown Lands	87	" Summary	69
Agreements Validating Officers	143	Commissioners to advise the Government in matters connected with the Defence of the Colony from Foreign Aggression	37
Albury Gaol	28	Comptroller General of Prisons	25
Architect—Colonial	108	Consuls—Foreign	141
Armidale—Gaol	28	Coroners	54
Artillery	38	Council—Executive	14
Assembly—Legislative	15	" " Members of	8
" " Members of	10	" Legislative... ..	14
" " Succession of Speakers	9	" " Members of	9
Astronomer	65	" " Succession of Presidents	8
Asylums—Lunatic	35	Council and Assembly—Legislative	15
" Infirm and Destitute	37	Council of Education	62
Attorney General	67	Court of Claims	89
Audit Department	23	" Insolvency... ..	51
Australian Museum	64	" Quarter Sessions	68
Baliffs of Warden's Courts... ..	94	" Supreme	50
Bank—Government Savings	132	" District	52
Bathurst Gaol	27	" Divorce and Matrimonial Causes... ..	51
Berrima Gaol	27	Crown Land Offices—Inspector	87
" Royal Commission to inquire into Working of, &c.	47	Curator of the Australian Museum	64
Board—Medical	31	Customs	71
Board of Pharmacy	80	Darlinghurst—Lunatic Receiving House	36
Board for inspecting and maintaining Supply of Colonial Military Warlike Stores	79	Deniliquin Gaol	29
Board for opening Tenders for Runs	89	Directors—Sheep	98
Board for opening Tenders for Public Works	109	Distilleries and Sugar Refineries	74
Board for inquiring into and reporting upon the working, &c., of the Lands and Survey Departments	90	District Courts :—	
Board of Visitors to Lunatic Asylums	35	Metropolitan and Hunter District	52
Bookbinding—Printing and	75	Northern District... ..	53
Botanic Gardens, &c.	89	North-western and Eastern District	54
Braidwood Gaol	28	Southern District	52
Brands—Registration of	97	South-western District	53
Cattle Inspectors	97	Western District	53
Central Police Office	56	Divorce and Matrimonial Causes Court	51
Charitable Institutions—Inspector of	37	Dredge—Steam—" Archimedes"	114
Church of England	134	" " "Hercules"	111
Church and School Estates—Agent for	89	" " "Hunter"	112
Circuit Courts—Supreme and	50	" " "Pluto"	113
Clarence River Dredge	114	" " "Vulcan"	112
Clerks of Petty Sessions	56	" " "Samson"	111
Coal Fields, &c.	92	" " "Fitzy Roy"	113
Cockatoo Island—Fitz Roy Dock	114	" " "Titan"	112
Colleges—St. Andrew's	137	" " Newcastle	113
" St. John's	137	" " Clarence	114
" St. Paul's... ..	137	Dry Dock—Fitzroy	114
Colonial Architect	108	Ecclesiastical Establishment	134
Colonial Agent General	45	Education—Council of	62
		" University of Sydney	136

	Page.		Page.
Education—Colleges	137	Imperial Pension Office	79
Electric Telegraphs	121	Industrial Schools for Girls	24
Emigration Officer	76	Infirm and Destitute—Asylums for	37
Engineer-in-Chief for Harbours and River Navigation... ..	109	Insolvent Court	51
Erysipelas Hospital, Parramatta	47	Inspector of Crown Land Offices	87
Examiner of Coal Fields	92	Inspector General of Police	24
Executive Council	14	Inspector of the Insane	35
" Members of	8	Inspector of Kerosene	45
Exhibition Commission—Paris Universal	46	Inspector of Public Charities	37
" " Sydney International	47	Inspectors of Sheep... ..	97
Fitz Roy Dry Dock	114	" Cattle... ..	97
"Fitz Roy"—Steam Dredge	113	International Exhibition to be held in Sydney—Commissioners for Management of	47
Foreign Consuls	141	Justice and Public Instruction	50
Free Public Library... ..	64	" " Summary	49
Gaols:—		Kerosene—Inspector of	45
Albury	28	Land Offices—Inspector of	87
Armidale	28	Lands—Secretary for	82
Bathurst	27	" " Summary	81
Berrima	27	" Survey of	84
Braidwood... ..	28	" Occupation of	96
Deniliquin	29	" Agents for the sale of	87
Goulburn	27	Lands and Survey Departments—Commission to inquire into, and working of	90
Maitland	27	Legislative Assembly	15
Mudgee	29	" " Members of	10
Parramatta	26	" " Speakers—Succession of	9
Port Macquarie	28	Legislative Council	14
Sydney (Darlinghurst)	26	" " Members of	9
Wagga Wagga	28	" " Presidents—Succession of	8
Yass	28	" " and Assembly	15
Young	29	Library—Parliamentary	15
Police	29	" Free Public	64
Gardens—Botanic	89	Lunatic Asylums—Board of Visitors	35
Geological Surveyor... ..	92	" " Asylums Generally—Inspector of	35
Glebe Island Abattoir	79	" " Hospital for the Insane, Gladesville	35
Goulburn Gaol	27	" " Parramatta	35
Government Astronomer	65	" " Receiving House, Darlinghurst	36
Government Asylums for the Infirm and Destitute	37	" " For Imbeciles, &c., Newcastle	36
Government Domains and Hyde Park	89	" " Callen Park	36
Government Printer... ..	75	" " Cooma	36
Government Savings' Bank... ..	132	Magazines—Gunpowder	76
Governor-in-Chief	14	Magistrates—Police... ..	56
Governors—Succession of... ..	2	Maitland—Gaol	27
Grammar School, Sydney	137	Marine Board	77
Guardians of Minors	144	Medical Adviser, Vaccination, Medical Officers, &c.	31
Gunpowder Magazines	76	Medical Board	31
Harbours and River Navigation	109	Medical Officers	33
Health Officer	76	Metropolitan and Hunter District Court	52
"Hercules"—Steam Dredge	111	Metropolitan Police—Inspector General	24
His Excellency the Governor-in-Chief	14	Military Forces—Permanent and Volunteer	37
Hospital for the Insane, Gladesville	35	Mines:—	
"Hunter"—Steam Dredge... ..	112	Mines	92
Hyde Park Improvement Committee	89		
Hyde, Phillip and Cook Parks—Trustees... ..	90		
Immigration Agent	30		
" Board	30		

	Page.		Page.
Mines (<i>continued</i>):—		Railways	102
Wardens	92	Refineries—Colonial Distilleries and ...	74
Wardens' Clerks	93	Reformatory for Girls	24
Mining Registrars... ..	93	Registrar General	20
Bailiffs of Wardens' Courts	94	Returning Officers	142
Mining Surveyors... ..	94	Roads... ..	107
Minister of Justice and Public Instruction	50	Roman Catholic Church	135
" " " Summary...	49	Roman Catholic Orphan School	63
Ministries	4	Royal Mint—Sydney Branch of	18
Mint—Royal Branch	18	Runs—Board for opening Tenders for ...	89
Money Order Office... ..	120	"Samson"—Steam Dredge	111
Mudgee Gaol... ..	29	Savings' Bank—Government	132
Museum—Australian	64	Schools:—	
Nautical School Ship "Vernon"	24	Council of Education	62
Naval Brigade	45	Nautical School Ship "Vernon"	24
Navigation—Harbours and River	109	Industrial School for Girls	24
Newcastle Steam Dredge	113	Reformatory for Girls	24
Northern District Court	53	Sydney Grammar	137
Observatory	65	Protestant Orphan	63
Occupation of Lands	96	Roman Catholic Orphan	63
Ordnance and Barrack Department	76	Secretary—Colonial... ..	20
Orphan School—Protestant... ..	63	" " Summary	19
" Roman Catholic	63	Secretary for Finance and Trade	70
Paris Universal Exhibition Commission ...	46	" " Summary	69
Parliamentary Library	15	Secretary for Lands	82
Parliaments	3	" Summary	81
Parramatta Gaol	26	Secretary for Public Works	102
" Lunatic Asylum	35	" " Summary	101
Pensions	138	Sessions—Quarter	68
Permanent Military Forces... ..	37	Sheep Directors	98
Petty Sessions:—		Sheep Inspectors	97
Central Police Office	56	Sheriff	51
Water Police Office	56	Shipping Masters	96
Police Magistrates and Clerks of Petty		Southern District Court	52
Sessions	56	South-western District Court	53
"Pluto"—Steam Dredge	113	Speakers of Legislative Assembly—Succes-	
Police:—		sion of... ..	9
Central Police Office	56	Steam Dredge "Archimedes"	114
Inspector General of	24	" "Fitz Roy"	113
Water Police Office	56	" "Hercules"	111
Magistrates and Clerks of Petty		" "Hunter"	112
Sessions	56	" "Pluto"	113
Port Macquarie Gaol	28	" "Samson"	111
Postage Stamp Printing and Bookbinding	75	" "Titan"	112
Postmaster General... ..	116	" "Vulcan"	112
" Summary	115	" Newcastle	113
Presbyterian Church	136	" Clarence	114
Presidents of the Legislative Council—Suc-		St. Andrew's College	137
cession of	8	St. John's College	137
Printing, Bookbinding, and Postage Stamps	75	St. Paul's College	137
Prisons—Comptroller General of	25	Store Branch of the Treasury	74
Protestant Orphan School	63	Sugar Refineries and Distilleries	74
Public Charities—Inspector of	37	Supreme Court	50
Public Works—Secretary for	102	Survey of Lands	84
" Summary	101	Surveyors—Mining	94
" Board for opening Tenders for	109	Sydney Branch of the Royal Mint... ..	18
Quarantine	76	Sydney Gaol	26
Quarter Sessions	68	Sydney Grammar School	137

	Page.		Page.
Sydney Police	24	"Vernon"—Industrial School Ship ...	24
Sydney University	136	Volunteer Infantry	40
Telegraphs—Electric	121	"Vulcan"—Steam Dredge	112
"Titan"—Steam Dredge	112	Wagga Wagga Gaol... ..	28
Treasurer and Secretary for Finance and Trade	70	Warden's Clerks and Mining Registrars ...	93
" " " Summary	69	Water Police Office	56
University of Sydney	136	Wesleyan Methodist Church	136
Vaccinators	31	Western District Court	53
		Yass Gaol	28

INDEX.

Names of Officers.	Office.	Page.
A		
Abbott Thomas Crawford	Clerk, Registrar General's Office	21
Abbott William Alexander	Corresponding Clerk, Registrar General's Office	20
Abbott Robert Palmer	President of the Commission to inquire into working of Lands and Survey Departments.	90
Abbott Thomas Kingsmill	Police Magistrate and Clerk of Petty Sessions, Gunnedah	58
	Registrar of District Court, Gunnedah	53
	Assistant District Registrar of Births, Deaths, &c., Gunnedah	22
	Crown Lands Agent, Gunnedah	88
Abraham John S.	Member of Board of Pharmacy	80
Acocks Rev. Alfred Davidson.	Church of England Chaplain, Gaol, Albury	28
Adams Philip Francis	Surveyor General	84
Adams Robert Dudley	Member of the Board for opening Tenders for Runs	89
Adams John Ford	Member of Paris Universal Exhibition Commission	46
Adams Frederick P.	Senior Clerk, Branch Royal Mint, Sydney	18
Adams W. H.	Cadet, Naval Brigade	45
Addams Rev. F. W.	Clerk, Lands Office	82
Addison Glentworth Walsh Frazer.	Minister of the Church of England, Paterson	134
Adrain F. G.	Police Magistrate, Maitland	58
Aggar John Ebenezer	Visiting Justice, Gaol, Maitland	27
Airey George John	Assistant Clerk of Petty Sessions, Parramatta	59
	2nd Lieutenant, Volunteer Artillery	39
Airey Henry Park	Major, New South Wales Artillery	37
Airey Charles B.	Member of Board for inspecting, &c., Warlike Stores	79
Aldcorn James	Lieutenant, New South Wales Artillery	38
Alderdice Charles John	Clerk, Department of Public Works	102
Alderson Wm. Maddison	Police Magistrate and Clerk of Petty Sessions, Araluen	56
Aldred R.	Junior Clerk, Council of Education Office	62
Alexander John	Member of Paris Exhibition Commission	46
Alexander Charles Somerville.	Bailiff, Warden's Court, Rockley	94
	Clerk, Office of the Colonial Agent General, London	45
	District Registrar of Births, Deaths, &c., Goulburn	22
	Clerk of Petty Sessions, Goulburn	57
	Agent for the Sale of Crown Lands, Goulburn	88
Alford Edward	Sheep Inspector, Singleton	97
Alford John	Sheep Director, Singleton	100
Alford Stephen G.	Sheep Director, Carcoar	98
Alger John	Member of Paris Universal Exhibition Commission	46
Allan Henry Alexander	2nd Class Draftsman, Survey Office	85
Allan David Tait	Commander, Naval Brigade	45
Allan Percy	Harbour Master, and Chairman of Local Marine Board, Newcastle	77
Allan Maxwell Rennie	Cadet, Roads Department	107
Allan William	1st Clerk, afterwards Under Secretary, Colonial Secretary's Office	20
Allen Sir George Wigram (K.C.M.G.)	Coroner, Manning River	55
	Speaker of the Legislative Assembly	15
	Member of the Council of Education	62
	Vice-President of Paris Universal Exhibition Commission	46
	Vice-President of Sydney International Exhibition Commission	47
Allen Thomas	Gaoler, Albury	28
Allen Mary	Matron, Gaol, Albury	28
Allen William	Forest Ranger, Clarence District	97
Alleyne Haynes Gibbes (M.D.)	Medical Adviser to the Government	31
	Member of Royal Commission to inquire into working of Berrima Gaol	47
	President of Board of Pharmacy	80
	President of the Medical Board	31
	Member of the Immigration Board	30
	Health Officer and Immigration Officer, Port Jackson	76
	Member of Board of Visitors to Lunatic Asylums	35
Alliband Seaton W.	Railway Station-master, Emu Plains	105
Allman John James	Police Magistrate, Goulburn	57
	Visiting Justice, Gaol, Goulburn	27
Allman Edward M.	Road Superintendent	108
Allpass Frederick William	Junior Clerk, Council of Education Office	62
Allpass James Webber	Inspector of Schools, Bathurst District	63
Allwood Rev. Robert	Minister of the Church of England, Sydney	134
Allworth Joseph Wilter	1st Class Surveyor	84
	Mining Surveyor	95
Allworth Frank C.	Ticket Clerk, Railway Department	102
Alnwick F.	Assistant District Registrar of Births, Deaths, &c., Wallsend	22
Alphen Thomas	Clerk, Survey Office	87
Ambrose Charles N.	Station-master, Electric Telegraph Branch, Braidwood	124
Ambrose Alfred E.	Junior Operator, Telegraph Station, Goulburn, afterwards Albury	126, 124
Anderson A.	Bailiff, Warden's Court, Adelong	94
Anderson Robert	Secretary and Treasurer, St. Andrew's College	137

INDEX.

Names of Officers.	Office.	Page.
Anderson W.	Mining Surveyor	95
Anderson William G.	Booking Clerk, Electric Telegraph Department	121
Anderson James	Supernumerary Draftsman, Survey Office	86
Anderson Noel	Clerk, General Post Office	117
Anderson Patrick	Clerk, Department of Mines	92
Anderson A.	Cadet, Department of Harbours and River Navigation	111
Anderson Robert	Sub-Inspector of Police	25
Anderson Henry Charles Lennox.	Assistant Master, Sydney Grammar School	137
Andrews Arthur	Lieutenant, Sydney Grammar School Cadet Corps	43
	Vaccinator and Medical Officer, Albury	31-34
	Visiting Surgeon to the Gaol, Albury	33
Andrews Julia	Junior Telegraph Operator, Petersham	123
Andrews A.	Sheep Director, Port Stephens	100
Angles Gustave	Operator, Electric Telegraph Department	122
Antill E. S.	Sheep Director, Cannonbar	98
Antill William Redfern	District Registrar of Births, Deaths, &c., Picton	22
	Coroner, Picton	55
Applewhaite Mary E.	Sub-Matron, Hyde Park Asylum for Infirm and Destitute	37
Archdall Thomas Gray	Vaccinator, Murrumburrah	32
Ardill William	Clerk, Lands Department	84
Argent Thomas	Inspector of Conditional Purchases	83
Aria Francis de Costa	Clerk, General Post Office	116
	Official Postmaster, Yass	119
Arkins John	Clerk of Petty Sessions, Cowra	57
	Agent for the Sale of Crown Lands, Cowra	87
	District Registrar of Births, Deaths, &c., Cowra	21
	Warden's Clerk, Cowra	93
Armour A. W.	Assistant Land Agent, Gundagai, afterwards Crown Lands Agent, Deniliquin	89-88
Armstrong Wm. Dickinson	1st Class Draftsman, Surveyor General's Office	85
Armstrong Richard R.	District Registrar of Births, Deaths, &c., Lord Howe Island	22
	Forest Ranger, Lord Howe Island	97
Armstrong William Weild	Clerk of Petty Sessions, Rylstone	59
	Agent for the Sale of Crown Lands, Rylstone	88
	District Registrar of Births, Deaths, &c., Rylstone	22
	Coroner, Rylstone	55
	Mining Registrar, Rylstone	94
Armstrong William Conway	Assistant Clerk of Petty Sessions, Central Police Office, Sydney	56
Armstrong David H.	Record Clerk, Railway Department	103
Armstrong John	7th Clerk, Central Police Office	56
Armstrong John	Mining Surveyor, Albury	94
Armstrong Alexander Boswell.	Clerk of Petty Sessions, Parkes, afterwards Hill End	59-58
	Registrar of District Court, Hill End	53
Armstrong John	Sheep Director, Armidale	98
Armstrong J. K.	Warden's Clerk, Yarrara	93
Armstrong John Fullerton	Coroner, Forbes	54
Arndell Andrew Johnston	Clerk, General Post Office	116
Arnheim Edward Henry	District Surveyor	84
Arnheim Edward Henry	Clerk, Branch Royal Mint, Sydney	18
Arnheim Frederick H.	Mining Surveyor, Ashfield	94
Arnold Richard Aldous	Clerk of Records, Legislative Assembly	15
	2nd Lieutenant, Volunteer Artillery	39
Arnold Claude	Clerk, Lands Department	82
Arnold William Munnings Montagu.	Clerk of Printing Branch, Legislative Assembly	15
Arnott Robert W.	Telegraph Operator, Sydney	121
Arnott John Smith	Official Postmaster, Murrurundi, afterwards Official Postmaster, Parramatta-street	119-118
Arnott William	1st Lieutenant, Newcastle Volunteer Infantry	43
Arthur William	Junior Telegraph Operator, Homebush Station	123
Arthur G.	Mining Surveyor	95
Asher Morris	Land Appraiser	83
Ashley John A.	Assistant Official Postmaster, Parramatta	120
Atchison Cunningham Archibald.	2nd Class Surveyor	84
Atchison James Thomas	2nd Class Surveyor	84
	1st Class Surveyor	84
Athy Rev. Miles E.	Minister of the Roman Catholic Church, Orange	135
Atkinson Alfred C.	Telegraph Station-master, East Maitland	127
Atkinson Edward	Telegraph Station-master, Warialda	130
Atkinson Henry	Agreements Validating Officer, Ireland (Belfast)	143
Atkinson Simeon	Assistant, Stamp Branch, Government Printing Office	75
Atkinson James	Sheep Director, Mudgee	99
Aubin William J.	Telegraph Operator, Head Office	121
Aubin Henry J.	Operator, Telegraph Station, Albury, afterwards Station Master, Ten-mile Creek	124-129
Auld Robert	Vaccinator, Bellinger River	31
Austin William Edward	Coroner, Parkes	55
Avery Thomas E.	Telegraph Station Master, Lawrence	127
Aymer William Henry	Description Writer, Survey Office	86
Ayres Thomas	Clerk, Office of Inspector General of Police	24
B		
Bacchus George Henry	Captain, New South Wales Artillery	37
Backhouse Alfred Paxton	Crown Prosecutor, North-western and Eastern District	68
Bacon Frederic Bowman	3rd Class Draftsman, Survey Office	86
Badcock William	Railway Station-master, Lochinvar, afterwards Moss Vale	106-105

INDEX.

Names of Officers.	Office.	Page.
Badham Charles L. C.	Assistant District Registrar of Births, Deaths, &c., Urana	22
	Clerk of Petty Sessions, Urana	60
	Crown Lands Agent, Urana	88
	Mining Registrar, &c., Urana	94
Badham Charles (D.D.)	Professor of Classics, &c., University of Sydney	136
	Trustee, Free Public Library	64
	Member of Paris Universal Exhibition Commission	46
Baileff Mary	Junior Telegraph Operator, Haymarket	123
Bailey Robert R.	Assistant District Registrar, of Births, Deaths, &c., Coonamble	21
	Registrar of District Court, Coonamble	54
	Police Magistrate and Clerk of Petty Sessions, Coonamble	57
	Coroner, Coonamble	54
Baillie James	Clerk, Lands Department	84
Bain J.	Pilot, Newcastle	78
Bain Thomas	Clerk, Treasury	70
Baker Ezekiel Alexander	Secretary for Mines	92
Baker William Thomas	Sub-Inspector of Police	25
Baker Frederick G. M.	Cadet, Roads Department	108
Baker William	2nd Class Draftsman, Survey Office	85
Balderstone Thomas H.	Clerk, General Post Office	116
Baldwin Rowland	Clerk, Survey Office	87
Ball James	Foreman, Ticket Printing Branch, Government Printing Office	75
Ballard James E.	Station-master, Electric Telegraph Branch, Tamworth	129
Ballhausen Chas. Wm. Lewis.	3rd Class Draftsman, Survey Office	86
Baly Henry Percy	Clerk, Survey Office	87
Banfield John	Telegraph Station-master, Waratah, afterwards Barraba	130-125
Banks Thomas P.	Clerk, Lands Department	82
Bannister E. C.	Mining Surveyor	96
Barff Ebenezer (M.A.)	Master of Studies, Sydney University	136
Barff S. G.	Extra Clerk, Treasury	70
Barkas William James	Vaccinator and Medical Officer, Bombala, afterwards Warialda	31-33-34
Barker Henry	Draftsman, Railway Department (Engineer-in-Chief's Branch)	103
Barker Right Rev. Frederic (D.D.)	Lord Bishop of Sydney and Metropolitan	134
Barker George Frederick	Clerk of Petty Sessions, Albury	56
	Registrar of the District Court	53
	Assistant Land Agent, Albury	89
Barling Joseph	Chief Clerk and Accountant, Department of Harbours, &c.	109
Barling J.	Sheep Director, Port Stephens	100
Barling J.	Mining Surveyor, Casino	95
Barling R.	Mining Surveyor, Casino	95
Barnard Charles Edward	Vaccinator, Gulgong	32
	Government Medical Officer, Gulgong	34
Barnes Frederick Evans	Clerk, Surveyor General's Office	86
Barnes Henry	Sheep Director, Casino	98
Barnes Thomas	Clerk and Schoolmaster, Gaol, Maitland	27
Barnes William	Telegraph Station-master, Vegetable Creek	130
Barnet James	Colonial Architect	108
	Commissioner of Defence from Foreign Aggression	37
	Member of Public Works Tender Board	109
	Member of Hyde Park Improvement Committee	89
Barnett Thomas James	Storekeeper and Schoolmaster, Gaol, Parramatta, afterwards Clerk, Gaol, Darlinghurst.	26
	2nd Lieutenant, Parramatta Volunteer Infantry	44
Barnett Frederick	Junior Telegraph Operator, Murrurundi	128
Barnett George	Clerk, General Post Office	116
Barney George H.	Senior Inspector of Distilleries	74
Barnier Rev. Joseph	Honorary Church of England Chaplain, Volunteer Military Forces	40
Barr Robert J.	Telegraph Station-master, Kyamba	127
Barraclough W. H.	Clerk, Treasury	70
Barry Rev. Zachary	Acting Church of England Chaplain, Permanent Military Force	38
Bartle Thomas	Assistant Officer of Customs, Morpeth	73
Bartlett Charles Falkner	1st Lieutenant, Maitland Volunteer Infantry	42
Barton Wickstedt	Sheep Director, Bourke	98
Barton Edmund	Crown Prosecutor, North-western and Eastern District	68
Barton E. H.	Mining Surveyor	95
Barton J.	Clerk, Treasury	70
Barton H. W.	Bailiff, Warden's Court, Moruya	94
Barton Mary Agnes	Assistant Matron, Biloea Reformatory for Girls	24
Bassett John	Cadet, Roads Department	107
Bassett William Frederick	Surgeon to the Gaol, Bathurst	33
	Vaccinator, Bathurst	31
	Medical Officer, Bathurst	34
Bassman Henry	Mining Registrar, Ballina	93
Bastick J.	Bailiff, Warden's Court, Orange	94
Bateman Arthur Wigley	Vaccinator, Tenterfield	33
	Government Medical Officer, Tenterfield	34
Battley Thomas C.	Clerk of Petty Sessions, Gosford	57
	Agent for the Sale of Crown Lands, Gosford (Brisbane Water)	87
	District Registrar of Births, Deaths, &c., Gosford (Brisbane Water)	21
Battye James R.	Telegraph Station-master, Walgett	130
Battye Edward M.	Inspector of Police	24
Bawden Thomas	Sheep Director, Grafton	99
Baxter John	20th Landing-waiter, Customs, Sydney	72
Bayford Charles Edward	Clerk, Office of Agent General for the Colony	45
Bayley George William Alfred.	Draftsman, Railway Department (Engineer-in-Chief's Branch)	103
Bayley William D.	Ledgerkeeper, Government Savings' Bank	132
Bayley Alexander C.	Road Superintendent	108

Names of Officers.	Office.	Page.
Baylis Henry	Police Magistrate, Wagga Wagga.....	60
	Visiting Justice, Gaol, Wagga Wagga	28
	Acting Customs' Officer, Wagga Wagga	74
Baylis George Henry	Junior Assistant Draftsman, Registrar General's Office	21
Bayly Nicholas P.	Sheep Director, Mudgee.....	99
Bayly Edward	3rd Clerk, Supreme Court Office	50
	Acting Clerk, Divorce and Matrimonial Causes Court	51
Baynes Thomas	Brigade Pay and Quarter-master, Permanent and Volunteer Military Forces.	39
Baynes Frederick Thomas Bendge.	Lieutenant, New South Wales Artillery	38
Bean Edwin	Second Classical Master, Sydney Grammar School.....	137
Beard Samuel Matthew ...	8th Locker, Customs, Sydney.....	72
Beatty John James Macart- ney.	3rd Clerk, Colonial Secretary's Office	20
Beaver William Richard..	2nd Clerk, Quarter Sessions Department.....	68
Beck William	6th Landing-waiter, Customs, Sydney	72
Becke William Henry Hughes.	Clerk of Petty Sessions, Windsor	60
	Agent for the Sale of Crown Lands, Windsor.....	88
	District Registrar of Births, Deaths, &c., Windsor	22
	Registrar of the District Court, Windsor	52
Bedford Cecil W. E.	Field Cadet, Roads Department, afterwards Road Superintendent..	108
Bedford William James Guthrie.	Staff Surgeon, Permanent Military Force	38
Beeston John	Railway Station-master, Menangle	105
Belford Richard S.	Operator, Head Office.....	122
Belisario John	Trustee, Australian Museum	64
Bell Dalway	16th Locker, Customs, Sydney	72
	Inspector of Distilleries.....	74
Bell W. T.	Surveyor, Railway Department	104
	Assistant Surveyor, Department of Harbours and Rivers.....	110
Bell David	Sheep Inspector, Dubbo	97
Bell Alexander C.	Road Superintendent	108
Bell Alexander	Assistant Harbour-master, Sydney	77
	Inspector, Marine Board	77
Bell Henry Rufus	Vaccinator, Minmi	32
Bell David	Sheep Director, Armidale	98
Bell William Charles	Temporary Clerk, Department of Mines	92
Bell Edmund	Clerk, Lands Department	82
Bell Joseph	Clerk, Post Office.....	118
Bell James	Railway Station-master, Penrith	105
Bellamy William Silas ...	Line Repairer, Wagga Wagga, afterwards Operator, Wagga Wagga	130
Bellamy Charles Penrose..	Vaccinator, Jerilderie	32
	Government Medical Officer, Jerilderie	34
	2nd Class Draftsman, Survey Office	85
Bennett Louis George Julien.	Vaccinator, Young	33
Bennett Reginald Henry Kemp.		
Bennett Woolsey J. P. ...	Telegraph Operator, Wilcannia.....	131
Bennett Ethelred	Assistant Clerk, Lunatic Asylum, Parramatta.....	35
Bennett Arthur	1st Lieutenant, Volunteer Artillery	39
Bennett John	Telegraph Station-master, Gadooga	127
Bennett James	Operator, Electric Telegraph Branch, Bathurst	124
Bennett Copeland	Railway Station-master, Mittagong	105
Bennett William Chris- topher.	Commissioner and Engineer for Roads.....	107
	Member of Public Works Tender Board.....	109
Bennis Michael	Collector and Depositor of Public Moneys, Treasury	70
Bennison W. J.	Sheep Inspector, Braidwood	97
Bernaer John.....	Lithographic Printer, Survey Office	86
Berner George.....	Clerk, Railway Department	102
	Chief Clerk, Railway Department.....	102
Berney Augustus.....	1st Landing Surveyor, Customs	71
	Acting Collector of Customs	71
Berry H.	Mining Surveyor, Albury	94
Berthon Henry H. Leigh..	Cadet, Department of Harbours and River Navigation	110
Berthon Charles	District Engineer, Department of Harbours and River Navigation	110
Bertram A.	Inspector and Surveyor, Local Marine Board, Newcastle	77
Bertram John	Sheep Director, Balranald	98
Besnard Peter	Sheep Director, Yass	100
Bethel Walter Edmund ...	Cadet, Council of Education Office	62
Bethune William.....	Assistant Registrar of Births, Deaths, &c., Randwick.....	21
	17th Clerk, Customs, Sydney.....	71
Bettington James B.	Sheep Director, Merriwa.....	99
Betts Augustine Matthew	Coroner, Goulburn	54
Betts Edward Marsden ...	Assistant Superintendent, Hospital for the Insane, Gladesville ..	35
Betts H. S. M.	Sheep Director, Molong	99
Betts Arthur Charles	District Surveyor.....	84
	Mining Surveyor, Cooma	95
Beuzeville James.....	District Registrar of Births, Deaths, &c., Bathurst	21
Beveridge James	Sheep Director, Gundagai	99
Beverley William Gore ...	Chief Clerk and Deputy Comptroller of Prisons	25
	Captain, N.S.W. Regiment Volunteer Artillery	38
Bewick George.....	Superintendent of Way and Works, Great Northern Railway.....	103
Bibb John	Clerk, Department of Harbours and River Navigation	109
Biggar John Gordon	Clerk, Survey Office.....	87
Biggs Charles	Assistant Line Repairer, Electric Telegraph Department	122
Bingham Ernest A.....	Booking Clerk, Electric Telegraph Department	121
Bingle W.....	Midshipman, Naval Brigade	45

INDEX.

xiii

Names of Officers.	Office.	Page.
Binny Thomas Crawford	Registrar, Department of Mines	92
Binsted William Henry	Surveyor for Alignment of Streets	85
Birch Rev. Patrick	Minister of the Roman Catholic Church, Millendary, Kiama	135
Birkenshaw Thomas	Examiner in Seamanship and Pilotage, Marine Board	77
Bishop Edwin T.	Draftsman, Department of Mines	92
Bissett John G., sen.	Railway Station-master, Rookwood	105
Bissett John G. jun.	Railway Station-master, Macquarie Plains	105
Black Albert Thomas	Coast Waiter, Customs Station, Broken Bay	73
	Operator, Electric Telegraph Station, Barranjuay	124
Black John	Commanding Kiama Volunteer Infantry	41
Blacket Edmund T.	Member of Hyde Park Improvement Committee	89
Blacket Arthur	Road Superintendent	108
Blackey Patrick	Draftsman, Department of Harbours and River Navigation	110
Blackman William	Clerk, Department of Lands	83
Blackman Samuel A.	Sheep Director, Mudgee	99
Blackmore Alexander E.	Clerk, Money Order Office	120
	Ledger-keeper, Government Savings Bank	132
Blackshaw Henry	1st Lieutenant, Goulburn Volunteer Infantry	43
Blackstone William A.	Telegraph Operator, Chief Office	121
Blackwell Richard Fortune	Vaccinator, Maitland	32
	Government Medical Officer, Maitland	34
Blackwell Ernest V.	Telegraph Station-master, Bullah Delah	125
Blackwood Rev. J. (B.A.)	Minister of the Church of England, Singleton	134
Bladen Frank Murecott	Map Compiler, Sydney Observatory	65
Blake Isidore Maurice, J.P.	Coroner, Yass	55
Blake Maurice O'Connor	2nd Class Draftsman, Survey Office	85
Blake Robert	Senior Inspector of Distilleries	74
Blake John Bede	Clerk, Roads Department	107
Blakeney Edward	Weigh Clerk, Clarence River, Department of Harbours and Rivers	110
Blanchard Julien Thomas	Ordnance Storekeeper and Barrack Master	76
	Member of the Board for inspecting and maintaining the Supply of Colonial Warlike Stores	79
Bland Mary	Matron, Hospital for the Insane, Gladesville	35
Blaxland John G.	Clerk, Lands Department	82
Blomfield Rev. J. R.	Church of England Chaplain to the Lunatic Asylum, Parramatta	36
	Minister of the Church of England, Raymond Terrace	134
	Church of England Chaplain to the Gaol, Parramatta	26
Blomfield Valentine J. S.	Cadet, Roads Department	107
Blomfield Thomas Edwin	Commissioner of Crown Lands, Murrumbidgee	96
Bloomfield Edwin Cordeaux.	Sheep Director, Armidale	98
Bloomfield Harold	Cadet, Department of Harbours and River Navigation	111
Bloomfield Arthur	Sheep Director, Cooma	98
Bloomfield Charles W.	Computer, Government Printing Office	75
Bloxham Frank E.	Sheep Inspector, Bourke	97
Blumer George Alfred	Cadet, Council of Education Office	62
Blythe Sydney	Commissioner of Conditional Purchases	83
Boag Thomas	Locomotive Foreman, Railway Department	103
Boake Barcroft Capel	Captain, New South Wales Regiment Volunteer Artillery	38
Board Charles Thomas	Junior Assistant Draftsman, Registrar General's Office	21
Board Gregory	Booking Clerk, Electric Telegraph Department	121
Bode Rev. G. C.	Minister of the Church of England, Newcastle	134
	Acting Church of England Chaplain to Permanent Military Forces	38
Bode Rev. F. D.	Minister of the Church of England, Lochinvar and Branxton	134
Bohle Henry M.	Ballast Master, Newcastle (Department of Harbours and River Navigation)	110
Boland Thomas E.	Assistant Clerk, Stores Department	74
Bolding Henry J.	Commissioner of Conditional Purchases	83
Bolger Theophilus Henry	District Registrar of Births, Deaths, &c., St. George	21
Bolton Constantine Francis	District Surveyor	84
	Mining Surveyor	96
Bolton Charles	Weigher and Balance Mechanician, Branch Royal Mint, Sydney	18
Bolton Charles	Commanding Northern Battalion Volunteer Infantry	41
Bolton Francis Thorley	Clerk, Audit Office	23
Bonamy Thomas	Clerk, Railway Department (Audit Branch)	106
Bonamy George	Railway Station-master, Ashfield	105
Bond Joseph Francis	Vaccinator, Penrith	32
Boot Edward	Government Medical Officer, Broulee	34
	Vaccinator, Broulee	31
Boot Henry	Road Superintendent	108
Boot O. A. C.	Clerk, Lands Office	82
Boote William	Sheep Director, Gundagai	99
Booth John	Clerk, Council of Education Office	62
Booth William H.	Draftsman, Railway Department	103
Booty Charles John	Official Postmaster, St. Leonards	118
Booty Enoch William	Bailiff and Messenger, Insolvency Court Office	52
Bossley Ion Brown	Official Postmaster, William-street, Sydney	118
Bousfield Charles	Telegraph Operator, Newcastle	128
Bouverie Charles William Pleydell.	Lieutenant, New South Wales Artillery	38
Bowden John Ebenezer	Coroner, Parramatta and Liverpool	55
Bowdler Henry Jenkins Stanley.	Clerk, Treasury	71
Bowen William Robinson	Assistant Postmaster, Deniliquin, afterwards Newcastle, afterwards Official Postmaster, Murrurundi	119-120
Bowerman Frank S.	Telegraph Operator, Head Office	122
Bowler Charles Edward	Supernumerary Draftsman, Survey Office	86
Boyce Carlton G. L.	Clerk, Treasury	71

Names of Officers.	Office.	Page.
Boyce Thomas B.	Coroner, Murrurundi	55
Boyd James	Assistant Officer of Customs, Moama	73
Boydell Charles Broughton	Clerk, Legislative Assembly	15
Bradley John Dallison	Inspector of Public Schools, Maitland District	63
Bradley James Octavius	Railway Station-master, Mittagong, also Bowral	105
Bradley Henry Houghton	Captain, No. 9 Battery, Volunteer Artillery	38
Burton.	Trustee, Australian Museum	64
Bradley Joseph Raworth	Supernumerary Draftsman, Survey Office	86
Bradshaw Benjamin C.	Clerk, General Post Office	116
Bradstock Henry	First Foreman of Coining Department, Branch Royal Mint, Sydney	18
Brady Charles	Clerk, General Post Office	117
Brady Michael	Assistant Official Postmaster, Bathurst	119
Brady Thomas James	Foreman of Gunpowder Magazine, Spectacle Island	76
Brain Thomas	Railway Station-master, Gunning	105
Bramble Edward W.	Clerk, Electric Telegraph Department	121
Bransby Reginald George	2nd Class Draftsman, Survey Office	85
Spencer.		
Bray Alfred S.	Telegraph Station-master, Adelong	124
Bray James	Registrar of the District Court, Armidale	53
	Crown Lands Agent, Armidale	87
	Clerk of Petty Sessions, Armidale	56
Bray Joshua	District Registrar of Births, Deaths, &c., Tweed River	22
	Police Magistrate and Clerk of Petty Sessions, Cudgen	57
	Crown Lands Agent, Cudgen, Tweed River	87
Breckenreg George	Railway Station-master, Scone	106
Bremer Frederick	Clerk, Lands Office	84
Brennan Thomas	Principal Book-keeper, Treasury	70
Brennan Patrick	Sub-Inspector of Police	24
Brennan Lancelot Iredale	Superintendent of Stores	74
Brentnall Charles J.	Sheep Inspector, Wagga Wagga	97
Brereton John Parker	Vaccinator, Shoalhaven	33
	Government Medical Officer, Shoalhaven	34
Brewer Frank P.	Telegraph Operator, Head Office	121
Brewer H. B.	Clerk, Treasury	71
Bridekirk Joseph	Telegraph Station-master, Gloucester	127
Bridges Frederick	Inspector of Schools, Sydney District	63
Brighton George	Operator, Telegraph Station, West Maitland	127
Briscoe Edward James	Clerk, Survey Office	87
Britten Thomas	Sheep Director, Walgett	100
Brock R.	Mining Surveyor	95
Brock Robert	1st Locker, Customs, Sydney	72
Broderick Henry	Engineer Surveyor, Inspector, and Examiner, Marine Board	77
Broderick E.	1st Engineer of Pilot Steamer "Captain Cook"	78
Brodie George Gray	Clerk of Petty Sessions, Murrurundi, afterwards Grenfell	58
	Assistant District Registrar of Births, Deaths, &c., Grenfell	21
	Warden's Clerk, Grenfell	93
	Registrar of the District Court, Murrurundi, afterwards Grenfell	53
	Agent for the Sale of Crown Lands, Murrurundi, afterwards Grenfell	88
Brodie James Adam	Junior Clerk, Colonial Secretary's Office	20
Brodie William A.	Registrar of District Court, Hay	53
	District Registrar of Births, Deaths, &c., Hay	22
	Crown Lands Agent, Hay	88
	Mining Registrar, Hay	94
	Clerk of Petty Sessions, Cassilis, afterwards Hay	57-58
Brodie G. E.	Clerk, Treasury	70
Brodrigg William Adams	Member of Paris Universal Exhibition Commission	46
Bronsdon Edward Arnold	Supernumerary Draftsman, Survey Office	86
Brooke Thomas C.	Sheep Director, Wentworth	100
Brooker James A.	Operator, Telegraph Station, Bulli, afterwards Parramatta	125-128
Brookes A. W.	Sheep Director, Cooma	98
Brooks James Norton	Police Magistrate, Singleton	59
Brooks Thomas	Shipwright Surveyor, Newcastle	77
Brooks Thomas	4th Locker, Customs Sydney	72
Broomfield W.	Midshipman, Naval Brigade	45
Broomfield John	Member of Marine Board	77
Brougham Patrick	Coroner, Bingera	54
	Registrar of District Court, Bingera	53
	Police Magistrate, Bingera	56
	Warden, Mining Department	93
Broughton John Archer	Clerk of Petty Sessions, Deniliquin	57
	Registrar of the District Court, Deniliquin	53
	Agent for the Sale of Crown Lands, Deniliquin	88
Brown John	Sheep Director, Singleton	100
Brown Edward	Clerk of Petty Sessions, Albury	56
	Agent for the Sale of Crown Lands, Albury	87
	Registrar of the District Court, Albury	53
Brown Charles William	Sheep Director, Deniliquin	98
Brown Charles Albert	Clerk, Department of Lands	82
Brown John Dowling	Superintendent of Police	24
Brown John H. K.	Assistant Clerk, Shipping Master's Office	76
Brown John	Sheep Director, Cannonbar	98
Brown Frederick	Sheep Director, Merriwa	99
Brown Henry Joseph	Captain, Newcastle Volunteer Infantry	41
Brown Walter (M.D.)	Medical Visitor to Lunatic Asylum, Parramatta	33
	Vaccinator, Parramatta	32
	Visiting Surgeon, Parramatta Gaol	33
Brown Alfred	Clerk, Railway Department	102
Brown George	Telegraph Station-master, Broughton Creek	125
Brown James Neathway	16th Clerk, Customs	71

INDEX

xv

Name of Officers.	Office.	Page.
Brown Frederic W.....	Station-master, Electric Telegraph Branch, Yetman	131
Browne William James ...	Tide Surveyor, Newcastle	73
	Sub-Collector, Customs, Grafton	73
Browne Richard P.....	Official Postmaster, East Maitland	119
Browne Dora Gifford	Assistant Official Postmaster, East Maitland	119
Browne Thomas Alexander	Police Magistrate, Gulgong	58
	Coroner, Gulgong	54
	Warden, Department of Mines	92
Brownrigg Marcus Freeman.	Police Magistrate, Albury	56
	Visiting Justice, Gaol, Albury	28
	Coroner, Albury	54
	Warden, Department of Mines	92
Brownrigg C. S.	Resident Engineer, Trial Bay, Department of Harbours, &c.	110
Bruce Gordon	Inspector of Sheep, Hume District	97
Bruce Alexander	Chief Inspector of Sheep	97
	Registrar of Brands	97
Bruce George	Sheep Director Molong	99
Bruton John.....	Sub-Collector of Customs, Tocumwall.....	74
Bryant John T.	Cashier, Railways	102
Bryant Edward J.	Telegraph Operator, Mudgee.....	128
Buchan S.....	Sheep Director, Grafton.....	99
Buchanan James	Police Magistrate, Armidale	56
	Visiting Justice to the Gaol, Armidale	28
	Warden, Department of Mines.....	92
Buchanan Peter	Sub-Overseer, Government Printing Office.....	75
Buchanan Louis	7th Clerk, Customs, Sydney	71
Buchanan William	Postal Inspector	118
Buckley Mary	Junior Operator, Telegraph Station, Deniliquin	126
Buckley Robert	Station-master, Electric Telegraph Branch, Deniliquin	126
Bucknell A. W.	Sheep Director, Moree	99
Budge Alexander Campbell	Clerk of Executive Council	14
Bull Frederick J.....	Clerk, Government Savings' Bank	132
Bullard William	Assistant Draftsman, Railway Department	104
Bullen Denis F.	Cadet, Roads Department	107
Bullen William	Draftsman, Roads Department	107
Bundock W. C.	Sheep Director, Casino	98
Bundock William F.	Road Superintendent	108
Bunn John William Buckle	Coroner, Braidwood	54
	Visiting Justice, Gaol, Braidwood	28
Burcher Stephen T.....	Clerk, Department of Mines.....	92
Burdett F. L.	Mining Surveyor.....	95
Burge Cyrus.....	Railway Station-master, Riverstone	105
Burgess Frederick	Junior Operator, Telegraph Station, Narrabri (afterwards Grafton)	128-126
Burgess E. J.	Mining Surveyor	95
Burgis Thomas P.	Assistant Postmaster, Goulburn	119
Burgoyne John Thomas ...	Vaccinator, Grenfell	32
	Government Medical Officer, Grenfell	34
Burke Michael E.	Station-master, Electric Telegraph Branch, Bombala	124
Burke Rev. John A.	Minister of the Church of England, Carcoar	135
Burke Michael	Chief Warden, Gaol, Sydney	26
Burke Stephen Rickard ...	11th Clerk, Customs, Sydney.....	71
Burkett John	Sheep Director, Walgett	100
Burn Jane	Matron, Lunatic Asylum, Parramatta	35
Burne Henry	Commissioner of Conditional Purchases	83
Burne Alfred B.	Registrar of the District Court, Hill End	53
	Clerk of Petty Sessions, Hill End	58
	Warden's Clerk, Hill End.....	93
	Assistant District Registrar of Births, Deaths, &c., Hill End	22
Burnell Arthur John	2nd Class Draftsman, Survey Office	85
Burnell Spencer Clay	Supernumerary Draftsman, Survey Office	86
Burness Thomas	Sheep Inspector, Maitland, and Cattle Inspector, Newcastle	97
Burnet William	Clerk, Money Order Office.....	120
	Ledger-keeper, Government Savings Bank	132
	1st Lieutenant, 2nd Regiment Volunteer Infantry.....	42
Burnett Alexander	Station-master, Telegraph Branch, Hay	127
Burnett Robert Harvey ...	Locomotive Engineer, Railway Department	103
Burney J. H.	Bailiff of Warden's Court, Bathurst	94
Burns Edwin	Cadet, Colonial Architect's Office.....	109
Burns John Fitzgerald ...	Postmaster General	116
Burns James J.	Field Cadet, Roads Department	108
Burns Charles James	2nd Clerk, Supreme Court Office	50
Burns James	Railway Station-master, Branxton	106
Burnside Mary.....	Matron, Government Asylum for the Infirm and Destitute, Liverpool.	37
Burnside J.	Mining Surveyor	95
Burrows John.....	District Registrar of Births, Deaths, &c., Newcastle.....	22
Burrows W. T.	Mining Surveyor	95
Burrows Samuel Mantill...	Clerk, Department of Harbours and River Navigation	109
	Clerk of Petty Sessions, Ulladulla	60
	District Registrar of Births, Deaths, &c., Ulladulla	22
	Crown Lands Agent, Ulladulla	88
	Registrar of District Court, Milton	52
Burrows Henry	Operator, Electric Telegraph Department	121
Burrows Edward T.	Cadet, Department of Harbours and Rivers	110
Burrows Joseph	Bedell, University of Sydney	136
Burt James	2nd Class Draftsman, Survey Office	85
Burton William Henry ...	10th Clerk, Customs	71
Burton Edmnd.....	Exminer of Land Titles, Registrar General's Department	20

Names of Officers.	Office.	Page.
Busby William.....	Member of Paris Universal Exhibition Commission	46
Bussell Francis	Telegraph Operator, Head Office	121
Butler Francis	Clerk, General Post Office	117
Butterfield Charles R.....	Clerk, Roads Department	107
Buttou Alfred C.....	Clerk, General Post Office	116
Byram John Primrose	Clerk, General Post Office	117
Byrne Edward William ...	Assistant Registrar of Brands	97
Byrne Margaret Mary Gertrude.	Matron, Roman Catholic Orphan School, Parramatta	63
Byrne John	Assistant Registrar of Births, Deaths, &c., Woollahra	21
Byrnes Francis Oaks	Telegraph Station-master, Murrurundi	128
Byrnes Henry James	Captain, 3rd Regiment, Volunteer Infantry	41
Byrnes William	Clerk to the Private Secretary	14
Byrnes James M.....	Superintendent (Murray, Murrumbidgee, and Darling Rivers), Department of Harbours and River Navigation.	110
Byrnes James	Land Valuer, Railways	102
Byron Robert	Telegraph Operator, Newcastle.....	128
C		
Cadell Thomas O.	Cadet, Naval Brigade	45
Cahill William.....	Sub-Collector of Customs, Richmond River	73
Caldwell Charles Wesley...	1st Clerk, Customs, Sydney	71
Caldwell John Turner...	Clerk, Council of Education Office	62
Caldwell Samuel	Gaoler, Armidale.....	28
Caldwell Isabella	Matron, Gaol, Armidale	28
Callachor Thomas Felician	1st Class Draftsman, Surveyor General's Office	85
Callachor John Joseph Casimir.	3rd Class Draftsman, Survey Office	85
Callachor Rev. Hugh Bernard.	Roman Catholic Chaplain to the Gaol, Parramatta	26
Callaghan M. J.	Mining Surveyor	95
Callaway Richard	Clerk, Survey Office	87
Callen George Douglas ...	Bandmaster, Military Forces.....	40
Calvert John Jackson	Clerk of Parliaments, &c.	14
Cambridge Henry	Member of Paris Universal Exhibition Commission	46
Cameron Angus	Road Superintendent	108
Cameron John	Chairman of Committees, Legislative Assembly	15
Cameron Rev. James	Geodetic Surveyor	87
Cameron Roderick William	Honorary Chaplain, Volunteer Military Forces	40
Cameron A. M.	Representative Commissioner, Paris Universal Exhibition Agreements Validating Officer, New York	46 143
Campbell Allen	Oriental Interpreter, Supreme Court Office.....	50
Campbell Robert John ...	Vaccinator, Yass	33
Campbell John	Surveyor, 1st Class	84
Campbell Walter Scott ...	Captain, 2nd Regt. Volunteer Rifles	41
Campbell William J.	Chief Draftsman, Department of Mines	92
Campbell J. A. D.	Telegraph Station-master, Warren	130
Campbell D. F.	Mining Surveyor, Dubbo	95
Campbell William Douglas	Cadet, Department of Harbours and Rivers	110
Campbell William D.	Coroner, Binalong and Burrowa	54
Campbell P. Colin	Sheep Director, Young	100
Campbell Ronald.....	Sheep Director, Glen Innes	99
Campbell George.....	Sheep Director, Eden	99
Campbell Malcolm McIntyre.	Sheep Director, Young	100
Campbell John Norman D.	Clerk of Petty Sessions, Richmond River (Casino)	59
Camper William	District Registrar of Births, Deaths, &c., Richmond River	22
Cane Charles M.	Registrar of District Court, Casino	54
Cane Frederick W.	Crown Lands Agent, Richmond River (Casino).....	88
Cane Elizabeth.....	Mining Registrar, Casino	93
Cane Frederick.....	Clerk, Post Office	118
Canning Arthur Ethelbert Fitzgerald.	Station-master, Electric Telegraph Branch, Wentworth	130
Cannon Richard Stuart ...	Clerk, Audit Branch, Railway Department	106
Canovan Joseph	Telegraph Operator, Newcastle	128
Cansdell William Duffield	Matron, Lunatic Asylum for Imbeciles, &c., Newcastle.....	36
Cansdell Gordon Gillhome Martin.	Superintendent, Lunatic Asylum for Imbeciles, &c., Newcastle ...	36
Cansdell Charles Stuart ...	Clerk, Registrar General's Office	21
Canter Richard Augustus	Captain, Lyceum School Cadet Corps, Volunteer Rifles	42
Canty Michael	Junior Telegraph Operator, Newcastle.....	128
Canty Michael	Clerk, Council of Education Office	62
Capel Daniel.....	2nd Class Draftsman, Survey Office	85
Capp Charles	Draftsman, Railway Department (Engineer-in-Chief's Branch) ...	103
Capper Howard Treherne	Supernumerary Lieutenant, New Engineer Corps	43
Capper William H.....	1st Clerk, Revenue Branch, afterwards Examiner of Accounts, Treasury.	70, 71
Capper J. F.....	2nd Class Draftsman, Survey Office	85
	Line-repairer, Electric Telegraph Station, Gundagai	127
	Sheep Director, Warialda	100
	Sheep Director, Maitland	99
	Sub-Collector of Customs, Bogabilla.....	74
	Clerk, Lands Department	83
	Mining Surveyor	95

INDEX.

xvii

Names of Officers.	Office.	Page.
Cardew William Clare ...	Clerk of Petty Sessions, Inverell	58
	Crown Lands Agent, Inverell	88
	District Registrar of Births, Deaths, &c., Inverell	22
	Registrar of District Court, Inverell	53
	Mining Registrar, Inverell	94
Carlile E. F.	Warden's Clerk, Araluen	93
Carlisle Thomas	Traffic Manager, Railway Department, Sydney	104
Carne J. W.	Construction Overseer of Electric Telegraphs	131
Carpenter Henry Keck ...	Clerk, Railway Department	103
Carpenter Abram	Station-master, Hexham	106
Carpenter Lyndon Bolton	Senior Clerk, Branch Royal Mint, Sydney	18
Carr J.	Bailiff, Warden's Court, Tumut	94
Carrick Thomas	Sub-Collector of Customs, Tweed River	73
Carroll Owen	Assistant Accountant, Roads Department	107
Carroll Andrew	Assistant Official Postmaster, Wagga Wagga	120
Carroll George H. L.	Inspector of Telegraph Lines and Stations	123
Carroll John	Overseer of Stores, and Superintendent of Quarantine Station, Spring Cove, Sydney Harbour	76
Carroll W. H.	Caretaker of Hospital Vessel "Faraway"	137
Carroll James	Assistant Master, Sydney Grammar School	125
Carruthers Henry	Telegraph Line Repairer, Cooma	106
Carson William	Clerk, Railway Store Branch	57
Carter Rev. James	Assistant Clerk of Petty Sessions, Grafton	22
	Assistant District Registrar of Births, Deaths, &c., Lismore	58
	Warden's Clerk, Lismore	93
	Minister of the Church of England, Picton	134
	Sheep Director, Berrima	98
Carter A.	Clerk, General Post Office	116
Carter William L.	Junior Operator, Telegraph Station, Grafton	126
Carter James Pearce	Sub-Inspector of Police	25
Carter George C.	Bailiff, Warden's Court, Tuena	94
Carver C. M.	Surveyor, Railway Department	104
Carver Nicholas Price	Vaccinator, Demiliquin	31
Casey Philip Forth	Clerk of Petty Sessions, Kempsey	58
Casey John Bartholomew..	Mining Registrar, West Kempsey	94
Caspersom Charles H.	Registrar of the District Court, West Kempsey	54
	District Registrar of Births, Deaths, &c., Macleay River	22
	Officer of Customs, Macleay River	73
	Agent for the Sale of Crown Lands, Macleay River, West Kempsey	88
	Telegraph Station-master, West Maitland	127
Cassidy James A.	Clerk, Electric Telegraph Department	121
Cassidy James	2nd Lieutenant, Bathfurst Volunteer Infantry	44
Cassidy Rev. P. M.	Roman Catholic Chaplain, Gaol, Parramatta	26
Cassidy William George ...	Steward and Housekeeper, Legislative Council and Assembly	15
Castray Luke Richard	Agreements Validating Officer, Hobart Town	143
Caswell William Stewart...	Police Magistrate, Moruya, afterwards Wellington	58-60
Catlett William Henry	Coroner, Broulee and Moruya	54
	Secretary and Accountant to Trustees of Sydney Grammar School	137
	Secretary to the Hyde Park Improvement Committee	89
	Secretary to Trustees of Hyde, Phillip, and Cook Parks	90
	Railway Station-master, Spring Grove	105
Cavanough James G.	Clerk, General Post Office	116
Cavenagh Charles	Bailiff of Warden's Court, Parkes	94
Cawley C.	Clerk, Railways (Store Branch)	107
Cazneau Prescott	Matron, Gaol, Darlinghurst	26
Challis Frances Mary	Construction Overseer of Electric Telegraphs	131
Chalon G. B.	1st Class Surveyor	84
Chamberlain Thomas	Mining Surveyor	96
James	Draftsman, Railway Department	103
Chambers James	Mining Surveyor, Wellington	96
Chamier A. F.	Telegraph Station-master, Glen Innes	126
Chandler William J.	Telegraph Station-master, Narrabri	128
Channon Thomas	Telegraph Station-master, Kiandra, afterwards Bateman's Bay	12-125
Channon Henry	Agreements Validating Officer, Geneva (Switzerland)	143
Chapalay Louis	Official Postmistress, Balmain	118
Chape Catherine	Chief Clerk, Colonial Architect's Department	109
Chapman Henry	Overseer (Night), Government Printing Office	75
Chapman George Stephen..	Member of the Church of England, West Maitland	134
Chapman Rev. R.	Clerk, Railways (Store Branch)	107
Chapman Henry Augustus	Station-master, Electric Telegraph Department, Forbes	126
Chapman Edward	Foreman, Stamp Branch, Government Printing Office	75
Chapman Abraham	Western.	
Chapman George H.	Junior Telegraph Operator, West Kempsey, afterwards Station- master, Central Kempsey	130-125
Chapman Henry	1st Lieutenant, Volunteer Artillery	39
Chapman Rev. B.	Minister of the Wesleyan Methodist Church, Parramatta	136
Chapman Charles	Telegraph Station-master, Narrandera	128
Chapman Edward	11th Locker, Customs, Sydney	72
Chapple Charles	Telegraph Station-master, Hill End	127
Chard John Sofala	Surveyor, Triangulation Staff, Survey Office	87
Charteris Frederick M. ...	Sheep Inspector, Goulburn	97
Chatfield Charles	Clerk, Council of Education Office	62
Chatfield William	Visiting Justice, Gaol, Darlinghurst, Sydney	26
Chatfield S.	Captain, 1st Regiment Volunteer Infantry	42
	Mining Surveyor	95
Chauncy William Snell ...	Road Superintendent	108
Cheeke George Ashwin ...	Associate to Sir William Manning	50

Names of Officers.	Office.	Page.
Chilcott Henry Frederick.	2nd Lieutenant, 2nd Regiment Volunteer Infantry	43
Child William	Assistant Official Postmaster, Newcastle	120
Child Rev. C.	Minister, Church of England, Scone	134
Chinn Henry	Assistant Draftsman, Department of Harbours and Rivers	110
Chippendall H. H.	Assistant Clerk of Petty Sessions, Orange	59
Chippendale T.	Sheep Director, Picton	100
Chisholm Henry John....	1st Clerk, Department of Justice and Public Instruction	50
	Captain, 2nd Regiment Volunteer Infantry.....	41
Chisholm William	Clerk to Coroner, Sydney	54
Chisholm Edward	Trustee, Australian Museum	64
Chisholm Daniel Henry ..	1st Class Draftsman, Survey Office	85
Christian William	Sheep Directors, Maitland	99
Christian M. S.		
Christie Charles Stewart..	Assistant Lithographer, Survey Office	86
Christie W. H.	Mining Surveyor	95
Christie W. B.	Mining Surveyor	95
Christie William Beaver Blayney.	Major of Brigade	39
Christison David	Sea Pilot, Sydney.....	78
Christison Robert.....	17th Landing-waiter, Customs, Sydney	72
Chrystal Alexander	Telegraph Station-master, Wellington	130
Church John	Midshipman, Naval Brigade	45
Clapin Adolphus Philip ..	Clerk Assistant, Legislative Council.....	14
Clapin Alfred H.	Cadet, Department of Harbours and Rivers	110
Clark William	Accountant, University of Sydney	136
Clark Ernest J.	Clerk, Money Order Office	120
Clark George Cotton	Draftsman, Railway Department (Engineer-in-Chief's Branch) ..	103
Clark James	Sheep Director, Glen Innes	99
Clarke William	District Registrar of Births, Deaths, &c., Broulee	21
	Registrar of the District Court, Moruya	52
	Clerk of Petty Sessions, Moruya	58
	Crown Lands Agent, Moruya	87
	Warden's Clerk, Moruya	93
Clarke Rev. William Bran- white.	Minister of the Church of England, St. Leonards, North Shore...	134
	Trustee, Free Public Library.....	64
	Member of Paris Universal Exhibition Commission	46
Clarke George O'Malley ...	Commissioner of Conditional Purchases	83
Clarke G. H.	Construction Overseer of Electric Telegraphs.....	131-132
Clarke Rev. W.	Minister of the Wesleyan Methodist Church, Orange	136
Clarke C. J.	Mining Surveyor, Cooma	95
Clarke Joseph	Clerk, General Post Office	116
Clarke Charles	Clerk, General Post Office	116
Clarke F. W.	Assistant Clerk to Assistant Engineer, Moruya (Harbors and Rivers.)	110
Clay William French	Vaccinator, Camden, Narellan, and Picton	31
Clay Percy	} Telegraph Operators	121
Clay Ralph S. P.		
Cleeve J. K.	Sheep Director, Windsor	100
Cleeve John Kingdon, junior.	Registrar of the District Court, Penrith	52
	Clerk of Petty Sessions, Penrith	59
	District Registrar of Births, Deaths, &c., Penrith	22
	Agent for the Sale of Crown Lands, Penrith	88
	Mining Registrar, Penrith	94
Cleeve George Alfred	Sheep Inspector, Windsor	97
Cleland George.....	Operator, Electric Telegraph Department	122
Cleland Edward	Clerk, Treasury	70
Clements J. S.	Mining Surveyor	95
Clements Hanbury	Sheep Director, Forbes	99
Clinch John W.	Telegraph Station-master, Cowra, afterwards Urana	126-130
Clive Charles F.	Sheep Director, Merriwa	99
Coates James	Clerk, Audit Office	23
Cobbin W. R.	District Registrar of Births, Deaths, &c., Glebe	21
Cobham Jonathan Blen- man.	Lithographic Draftsman, Survey Office	86
Cobley John.....	Junior Operator, Telegraph Station, Armidale, afterwards Deep- water.	124-126
Cockran A.	Shipwright Surveyor, Macleay River	77
Codrington Robert William	Clerk, Registrar General's Office	20-21
Codrington John Frederick	Vaccinator, Orange	32
	Medical Officer, Orange	34
Coghlan C.	Assistant District Registrar of Births, Deaths, &c., Gulgong	22
	Clerk of Petty Sessions, Gulgong	58
Coghlan Timothy.....	Surveyor and Draftsman, Department of Harbours and Rivers ..	110
Coghlan T.	Construction Overseer, Electric Telegraphs.....	131
Coghlan Frederick Albert..	Junior Clerk, Council of Education Office	62
Cohen Victor	Sub-Lieutenant, Naval Brigade.....	45
Cohen Harris	Coroner, Brewarrina	54
Cohen Henry Emanuel ...	Colonial Treasurer	70
Cohen John George.....	6th Clerk, Colonial Secretary's Office	20
Cole Frederick Reynolds...	Officer of Customs, Wollongong	73
Coleman John	Draftsman, Roads Department	107
Coleman Joseph	Telegraph Station-master, Bingera, afterwards Operator, New- castle.	124-128
Coleman Edward J.....	Telegraph Station-master, Millie	128
Coleman Edward H. J. ...	Junior Telegraph Operator, Tenterfield	129
Coles William	1st Clerk of Works, Colonial Architect's Department	108
Colley Henry	Assistant Superintendent, Lunatic Asylum, Parramatta	35
Colley Edwin	Clerk of Works, Colonial Architect's Department	108

INDEX.

xix

Names of Officers.	Office.	Page.
Colley David John Kirkwood.	Junior Clerk, Branch Royal Mint	18
Collingridge Rev. Charles F. P.	Roman Catholic Chaplain, Gaol, Darlinghurst	26
Collins John	Railway Station-master, Sydney	104
Collins Alexander	Assistant Harbour Master, Newcastle	78
	Inspector, Local Marine Board, Newcastle	77
Collis Arthur Herbert	Clerk, Office of Comptroller General of Prisons	25
Collis Walter	3rd Class Draftsman, Survey Office	85
Collis William R.	Temporary Clerk, Department of Mines	92
Collman John	Clerk, Roads Department	107
Colls John R.	Station-master, Electric Telegraph Branch, Yass	131
Combes Edward	Member of Paris Universal Exhibition Commission	46
Commings G. W.	Mining Surveyor	96
Commons Donald G. G.	Draftsman, Railway Department	93
Compton John Augustus	Instructor of Musketry, Permanent and Volunteer Military Forces	39
Condell James G.	Forest Ranger, Murray District	97
Conder William Jacomb	Surveyor, Triangulation Staff, Survey Office	87
Conley James	Clerk, Department of Harbours, &c., afterwards Examiner of Accounts	109
Connell Henry, junior	Officer of Customs, Kiama	73
	Police Magistrate and Clerk of Petty Sessions, Kiama	58
	Agent for the Sale of Crown Lands, Kiama	88
	District Registrar of Births, Deaths, &c., Kiama	22
	Registrar of the District Court, Kiama	52
	Coroner, Kiama	55
Connelly Nathaniel, junior	Sheep Director, Carcoar	98
Connery John	Clerk, Registrar General's Office	21
Conolly T. W.	Mining Surveyor	95
Conroy James M'D.	Mining Surveyor	96
Cook Alfred	Chief Draftsman and Instructor of Cadets, Colonial Architect's Department	109
Cook George E.	Cadet, Roads Department	107
Cooke William Vaughan May.	Commissioner of Crown Lands, Monaro District	96
Cooke Jesse M.	Telegraph Station-master, Windsor	131
Coombes John J.	Assistant Wharfinger, Newcastle (Railway Department)	105
Coombes Edward	Surveyor, Department of Harbours and River Navigation	111
Cooper R. C.	Sheep Director, Goulburn	99
Cooper John	Captain, 1st Regiment Volunteer Rifles	41
Cooper Michael	Clerk, Registrar General's Office	20
Cooper James Edward	Telegraph Operator, Wagga Wagga, afterwards Albury	124-130
Cooper Robert	Junior Telegraph Operator, Orange	128
Cooper Sir Daniel	Representative Commissioner, Paris Universal Exhibition	46
Cooper David John	1st Clerk, Council of Education Office	62
Cooper Arthur S.	Telegraph Operator, Goulburn, afterwards Bathurst	126-124
Cooper Charles	Station-master, Electric Telegraph Branch, Orange	128
Cooper Theophilus	Sheep Director, Maitland	99
Cooper William	Captain, No. 4 Battery, Volunteer Artillery	38
Cooper Joseph	Sheep Director, Merriwa	99
Cooper Leonard Smirnoff	2nd Clerk, Legislative Council	14
Cooto David C.	Cashier, Electric Telegraph Department	121
Cope Charles	Sub-Lieutenant, Naval Brigade	45
	Clerk, Lands Office	83
Copeland Henry	Cadet, Department of Harbours and Rivers	110
Copeman A. W. P.	Sheep Inspector, Narrabri	97
Corbett Henry	Operator, Electric Telegraph Department	121
Corbett William F.	Operator in the Head Office, afterwards Station-master, Condobolin	122-125
Cordeaux W. J.	Sheep Director, Berrima	98
Cork Robert James	Forest Ranger, Adelong	97
Cork James	Ensign, Ulladulla Volunteer Rifles	44
Cork Robert	Sea Pilot, Sydney	78
Corkhill Sydney Richard	Clerk, Treasury	71
Cormick James	Telegraph Operator in the Head Office	122
Cormie David	Sheep Director, Pilliga	100
Cosgrove John, senior	Sheep Director, Cooma	98
Cotter S. J.	Warden's Clerk, Tuena	93
Couche William Wilmot	Agreements Validating Officer, Melbourne (Victoria)	143
Counihan T. X.	Classical Tutor, St. John's College	137
Court William	Construction Overseer of Electric Telegraphs	131
Coutts Alexander	Sea Pilot, Sydney	78
Coutts Rev. James	Presbyterian Minister, Newcastle	136
Cowan Charles N.	Telegraph Station-master, Lithgow	127
Cowdery George	Chief Assistant Engineer, Railway Department	103
	Draftsman, Railway Department	103
Cowley W.	Mining Surveyor, Albury	94
Cowley F.	Mining Surveyor, Bethungra	94
Cowper Charles	Sheriff of the Colony	51
Cowper Very Rev. William Macquarie (M.A.)	Dean of Sydney, and Minister of the Church of England (St. Phillip's, Sydney)	134
Cox Benjamin	Operator in the Head Telegraph Office	122
Cox Richard W.	Sheep Director, Mudgee	99
Cox Richard	Sheep Director, Wagga Wagga	100
Cox James Charles (M.D., F.R.C.S.)	Trustee, Australian Museum	64
Cox George Henry	Member of Sydney International Exhibition Commission	47
Cox Joseph	Telegraph Station-master, Bodalla	125
Cox Frederick W.	Railway Station-master, Newcastle	106

Names of Officers.	Office	Page.
Cracknell Edward Charles	Superintendent of Electric Telegraphs.....	121
	Commissioner of Defence from Foreign Aggression	37
	Member of Public Works Tender Board.....	109
	Major Commanding Torpedo and Signalling Corps	44
Craig John	Pilot, Shoalhaven.....	79
	Telegraph Operator, Shoalhaven Heads	129
Crakanthorp Richard H.....	Clerk, General Post Office	116
Crane William	Assistant Police Magistrate and Clerk of Petty Sessions, Central Police Office.....	56
Crane William, junior	Accountant, Department of Prisons.....	25
Cranra James	2nd Lieutenant, 1st Regiment Volunteer Infantry	43
Crawford Alexander	Traffic Inspector, Railways.....	105
Crawford Robert.....	Railway Station-master, Bowral	105
Crawford George F.	Clerk, Colonial Architect's Department	109
Creagh Jasper Albert	Clerk of Petty Sessions, Wingham, Manning River	60
	Crown Lands Agent, Wingham	88
	Mining Registrar, Wingham	94
	District Registrar of Births, Deaths, &c., Manning River.....	22
	Registrar of the District Court, Wingham	54
Creaghe Richard Fitzroy	Sub-Inspector of Police	24
Creed W.	Mining Surveyor (Melbourne)	95
Creed John Mildred	Vaccinator and Medical Officer, Scone.....	33-34
Creer Joseph	Sea Pilot, Sydney	78
Cremen Timothy	Assistant Clerk, Department of Harbours and River Navigation	110
Crew Alfred Benjamin	Clerk, Lands Department	84
Cridge John T.	Junior Operator, Telegraph Station, Tenterfield.....	129
Crimston W.	Collector and Depositor of Public Moneys, Treasury	70
Croaker T. L. P.	Sheep Inspector, Bathurst	97
Croft Albion C.	Telegraph Operator, Head Office	121
Croft Herbert	Crown Lands Agent, Corowa	87
Croft Thomas G.	Telegraph Station-master, Gunnedah	127
Croft Faithful William	Clerk, Lands Department	82
Croft James P.	Clerk and Accountant, Lands Department	82
Cromie T. C.	Warden's Clerk, Rockley	93
Crommelin James Charles W.	District Registrar of Births, Deaths, &c., Albury	21
	Warden's Clerk, Department of Mines.....	93
	Sheep Inspector, Albury District	97
Cronin Edward G.	Cadet, Roads Department, afterwards Road Superintendent	108
Cronin James Daniel	Paymaster, Treasury	70
Crook Frederick Ernest	Clerk, Department of Justice, &c.	50
Crook Samuel E.	Railway Station-master, South Creek	105
Cropper Charles	Inspector of Conditional Purchases	83
Croskey Henry Clive	Clerk, Office of Agent General for the Colony.....	45
Cross Herbert	Member of Local Marine Board, Newcastle.....	77
Cross Ellen A. H.	Telegraph Operator, South Creek.....	129
Cross Herbert Robert.....	Lieutenant, Naval Brigade.....	45
Crossen Henry	Vaccinator, Moama	32
Crothers Thomas	Railway Station-master, Wollombi Road.....	106
Crouch Stanton C.	Telegraph Station-master, Cobargo	125
Crouch Henry Augustus.....	1st Class Surveyor	84
Crowley Thomas	Engineer of Steam-launch "Sea Breeze"	76
Crozier William	Sheep Director, Wentworth	100
Cruden S. W.	Construction Overseer of Electric Telegraphs.....	131-132
Cruikshank John	Sheep Director, Eden.....	99
Cruikshank David B.	Agreements Validating Officer, Auckland.....	143
Cruikshank William	Assistant Engineer Surveyor, &c., &c., Marine Board.....	77
Cruikshank Alexander	Sheep Director, Glen Innes.....	99
Crummer Henry Samuel Walker.	Draftsman, Occupation of Lands Department.....	96
Crummer James	Cadet, Roads Department	108
Cudmore D. H.	Sheep Director, Wentworth.....	100
Cullen Michael.....	Publisher, Government Printing Office.....	75
Cullen C.	Collector, Geological Survey Office, Mining Department	92
Cumming Frederick.....	Vaccinator, Ryde.....	33
	Government Medical Officer, Ryde	34
Cumming John	Surveyor, Railway Department.....	104
Cummins John R.	Station-master, Electric Telegraph Branch, Port Macquarie.....	129
Cunningham John	6th Landing-waiter, Customs, Sydney	72
Cunningham William	Line-repairer, Electric Telegraph Branch, Wentworth	130
Cunyngham C. W.	Warden's Clerk, Oberon.....	93
Cunynghame Sarah	Matron, Erysipelas Hospital, Parramatta.....	47
Curnow Rev. W.	Wesleyan Minister, Goulburn	136
Curr Rev. H. B.	Roman Catholic Chaplain, Gaol, Parramatta	26
Curran Robert John	13th Locker, Customs, Sydney	72
Curry Henry.....	Telegraph Station-master, Mudgee	127
Curry James.....	Telegraph Station-master, Goulburn, afterwards Wagga Wagga	126-130
Curry Harris	Clerk, Lands Department	82
Curtis Edwin	1st Lieutenant, 3rd Regiment Volunteer Infantry	43
Curtis Peter Campbell.....	Chief Clerk, Equity Office	50
Cutcliffe Charles (B.A.)	Clerk of Petty Sessions, Murrumburrah	58
	Assistant District Registrar of Births, Deaths, &c., Murrumburrah	22
Cuttriss Charles B.	Official Postmaster, Oxford-street, Sydney	118
D		
D'Arcy Michael John	Locker, Inland Bonded Warehouse, Wilcannia	74
D'Arcy Michael	8th Clerk, Customs, Sydney	71
D'Arcy Rev. David John.....	Minister of the Roman Catholic Church, Shoalhaven.....	135

INDEX.

xxi

Names of Officers.	Office.	Page.
D'Arrietta Walter	Overseer (Day), Government Printing Office	75
Dagwell Joseph H.	2nd Lieutenant, 1st Regiment Volunteer Infantry	42
Daintrey Arthur James ..	Pilot, Newcastle	78
Dale C. H.	Gunnery Instructor, Naval Brigade, Newcastle	45
Dale Charles Edwin	Supernumerary Draftsman, Survey Office	86
Dale John Paige	Mining Surveyor, Survey Office	95
Dalgairns William Guille...	Assistant Official Postmaster, Bathurst, afterwards Official Postmaster, Liverpool.	119
Dalgarno John Viles	Clerk, Store Branch, Railway Department	107
Dalgarno Jamas	Vaccinator, Binalong and Burrowa	31
Dalglish Alexander	Manager, Telegraph Office, Sydney	121
Dalglish James Campsie...	2nd Lieutenant, Torpedo and Signalling Corps	44
Dalhunty J. B.	Chief Clerk, General Post Office	116
Dalhunty M.	Dispenser to the Hospital for the Insane, Gladesville	35
Dalley William Bede	District Surveyor	84
Dalton John	Mining Surveyor	95
Dalton James	Sheep Director, Cannonbar	98
Dalton M.	Bailiff of Warden's Court, Tenterfield	94
Dalton Frederick	Trustee, Free Public Library	64
Daly Eliza B.	Clerk, Lands Office	83
Daly Margaret Ellen	Lieutenant, Orange Volunteer Rifles	43
Dangar Thos. G. G., M.P.	Clerk, Traffic Audit Branch, Railways	106
Daniel Arthur Alfred	Police Magistrate, Forbes	57
Daniel John	Warden, Department of Mines	92
Daniells John H.	Official Postmistress, West Maitland	119
Daniels A. Manning	Assistant Official Postmistress, West Maitland	120
Dansey George Frederick...	Sheep Director, Picton	100
Dargin Angelina	Clerk, Occupation of Lands Office	96
Dargin Melbourne Sydney	Visiting Medical Officer, Lunatic Asylum, Cooma	34
Darley Sydney	Draftsman, Roads Department	107
Darley Cecil W.	Assistant Engineer, Roads Department	107
Davey John Joseph	Surveyor, Railway Department	104
Davidson George	Principal Medical Officer, Military Forces	40
Davidson W.	Vaccinator, Sydney	31
Davidson Lewis Gordon...	Junior Operator, Electric Telegraph Branch, Randwick	123
Davidson Francis Burnand	Official Postmistress, Randwick	118
Davidson John	Junior Operator, Electric Telegraph Branch, Newtown	123
Davidson W. R.	Assistant Official Postmaster, Newtown	120
Davidson James H.	Sheep Director, Armidale	98
Davies William	Assistant Engineer, Hunter River (Department of Harbours and Rivers).	110
Davies Thomas, P.	1st Lieutenant, Torpedo and Signalling Corps	44
Davies H. U.	Captain, 1st Regiment Volunteer Rifles	41
Davies Francis Edisbury...	Captain, Mudgee Corps, Volunteer Rifles	42
Davies Frederick G.	Engineer Surveyor, Clyde River	77
Davies Mary J.	Vaccinator, Goulburn	32
Davies Wyndham J.	2nd Clerk, Water Police Office	56
Davies William	Clerk, Surveyor General's Office	86
Davis Albert	Mining Surveyor (Coolah)	95
Davis Henry	Sheep Director, Deniliquin	98
Davis George	Member of Sydney International Exhibition Commission	47
Davis James Green	Cadet, Roads Department, afterwards Road Superintendent	108
Davis J. A.	Mining Surveyor	95
Davis John	Assistant Official Postmaster, Haymarket	120
Davis William Lovell	Clerk, General Post Office	116
Davis William Whitten ..	Junior Operator, Electric Telegraph Branch, Balmain	123
Davis Thomas	Postal Inspector	118
Davoren J.	Superintendent of Works, Kiama, Department of Harbours and Rivers.	110
Dawes William Lachlan...	Telegraph Station-master, Wilcannia	131
Dawson Robert	Clerk, General Post Office	117
Dawson-Thomas Henry	Railway Station-master, Liverpool	105
Dawson Robert Barrington	Assistant Master, Sydney Grammar School	137
Dawson Henry	Assistant Land Agent, Bega	89
Day Alfred Sydney	Clerk of Petty Sessions, Bega	56
Day Asher Australia	Agent for the Sale of Crown Lands, Bega	87
Day George John	Registrar of the District Court, Bega	52
Day William H.	Mining Registrar, Bega	93
Day William Frederick ..	District Registrar of Births, Deaths, &c., Bega	21
Day James	Ensign, 1st Regiment Volunteer Rifles	44
De Boos Henry	Sheep Inspector, Forbes	97
De Boos H.	Clerk, Occupation of Lands Office	96
De Boos Charles	Bailiff, Warden's Court, Gulgong	94
Dawson Robert	Examiner and Compiler of Vital Statistics, Registrar General's Office.	20
Dawson-Thomas Henry	Police Magistrate, Cooma	57
Dawson Robert Barrington	Assistant Locker, Custom Station, Hay	74
Dawson Henry	Commissioner of Crown Lands, New England, &c.	96
Day Alfred Sydney	Coroner, Cooma	54
Day Asher Australia	Clerk, Occupation of Lands Department	96
Day George John	Superintendent of Mail Branch, General Post Office	116
Day William H.	2nd Class Draftsman, Survey Office	85
Day William Frederick ..	Telegraph Station-master, Balranald	124
Day James	3rd Class Draftsman, Survey Office	86
De Boos Henry	Sheep Director, Albury	98
De Boos H.	Clerk, Audit Office	23
De Boos Charles	Warden's Clerk, Gulgong	93
	Warden, Department of Mines	92

Names of Officers.	Office.	Page.
De Coursey Thomas	Clerk, Store Branch, Railway Department	107
De Gruchy Philip	Telegraph Operator, Sydney	121
De Lepervanche Charles Meziere.	Vaccinator and Government Medical Officer, Wee Waa	33-34
De Mestre Prosper	Clerk, Lands Office	82
De Milhau Gabriel	Postal Inspector	118
De Salis G. J.	Sheep Director, Queanbeyan	100
Dean Edward	Record Clerk, Electric Telegraph Department	121
Dean Alexander	Trustee, Hyde, Phillip, and Cook Parks	90
Dean Joseph S.	Assistant Book-keeper, Railway Department	102
Dean E. R.	Mining Surveyor, Goulburn	95
Dean P.	Bailiff of Warden's Court, Armidale	94
Deane Edward Tasman ..	Clerk, Registrar General's Office	21
Deane Henry	Captain No. 6 Battery, Volunteer Artillery	38
Dee Thomas William H.	Official Postmaster, Parramatta	119
Dee Christina	Telegraph Operator, Parramatta	128
Dee C. H.	Assistant Official Postmaster, Parramatta	120
Deering John Williams ..	Surveyor, 1st Class	84
Deffell George Hibbert ..	Chief Commissioner of Insolvent Estates	51
Delaney John	Commissioner of Conditional Purchases	83
Delohery Cornelius	Clerk of Petty Sessions, Maitland	58
	District Registrar of Births, Deaths, &c., Maitland	22
	Crown Lands Agent, Maitland	88
	Registrar of the District Court, Maitland	52
Deloitte George M.	Lieutenant, Naval Brigade	45
Deloitte Quarton Levitt ..	Lieutenant, Naval Brigade	45
Dennis C. H. M.	Matron, Government Asylum for the Infirm and Destitute, Parramatta.	37
Dennis James	Master, Government Asylum for the Infirm and Destitute, Parramatta.	37
Dennis James Tracton ..	Clerk, Audit Office	23
Dennis George J.	Operator, Telegraph Station, Merimbula	127
Dennis Samuel Malcolm M.	Official Postmaster, Goulburn, afterwards Wagga Wagga, afterwards Clerk, General Post Office.	116-119
Dennis William	Sheep Director, Condobolin	98
Denshire Walter G.	Junior Operator, Telegraph Station, Cootamundra	125
Denshire William Charles	Official Postmaster, Muswellbrook, afterwards Official Postmaster, King-street, Sydney.	119-118
Dent William F.	Assistant District Registrar of Births, Deaths, &c., Lambton	22
Derrig A. E.	Construction Overseer of Electric Telegraphs	131
Devlin J. N.	Clerk, Lands Department	82
Dewhurst Arthur	District Surveyor	84
Dewhurst A.	Mining Surveyor	96
Dewson W.	Mining Registrar, Uralla	94
Dick John	Gaoler, Mudgee	29
Dick Maria	Matron, Gaol, Mudgee	29
Dickens E. B. L.	Sheep Director, Menindie	99
Dickson Thomas	Telegraph Station-master, Quirindi	129
Dight George William ..	Sheep Director, Warialda	100
Dignam William John Joseph.	Captain, 3rd Regiment Volunteer Infantry	41
Dillon C.	Clerk, Lands Office	84
Dillon Hubert	Clerk, Lands Office	82
	Registrar of Births, Deaths, &c., Campbelltown	21
	Registrar of District Court, Campbelltown	52
	Clerk of Petty Sessions, Campbelltown	57
	Crown Lands Agent, Campbelltown	87
Dillon Rev. John	Roman Catholic Chaplain, Lunatic Asylum, Callen Park	36
Dircks J. F.	Storekeeper to Paris Universal Exhibition Commission	46
Dirks Alexander A.	Operator, Electric Telegraph Department	121
Dixon Robert	Telegraph Station-master, Gunning	127
Dixon William	Sheep Director, Brewarrina	98
Dixon Rev. Edmund	Church of England Chaplain, Berrima Gaol	27
Doak Andrew James	Chief Clerk, Money Order Office	120
	Cashier, Government Savings' Bank	132
Docker Arthur Robert	Clerk, Money Order Office	120
	Teller, Government Savings' Bank	132
Docker Edwin	Forest Ranger, Murray District	97
Docker Ernest Brougham..	Crown Prosecutor, Northern District, afterwards South-Western District.	68
Docker Joseph	Member of Paris Universal Exhibition Commission	46
Dodd James Oliver	Coroner, Carcoar	54
Dodwell Roger	17th Locker, Customs, Sydney	72
Doherty John	Cadet, Colonial Architect's Office	109
Doherty John F.	Clerk, General Post Office	117
Doherty Joseph	Assistant Official Postmaster, Bathurst	119
Donaldson Lester Stuart..	Clerk of Petty Sessions, Gulgong	58
	Registrar District Court, Moama	53
	Police Magistrate and Clerk of Petty Sessions, Moama	58
	Crown Lands Agent, Moama	88
	Coroner, Moama	55
	Assistant District Registrar of Births, Deaths, &c., Moama	22
Donaldson Patrick Riddle	District Surveyor	84
	Mining Surveyor, Grafton	95
Donaldson Robert	Road Superintendent	108
Done Richard E.	Junior Operator, Telegraph Station, Tenterfield, afterwards Station-master, Manilla.	130-127
Donelan Anthony Charles	9th Locker, Customs, Sydney	72
Donkin J. B.	Mining Surveyor	95

INDEX.

xxiii

Names of Officers.	Office.	Page.
Donkin J. B.	Sheep Director, Condobolin	98
Donkin Rev. Thos., B.D.	Minister of the Church of England, Prospect, Parramatta	134
Donnelly Stephen A.	Road Superintendent	108
Donovan James	Vaccinator, Cooma	31
	Government Medical Officer, Cooma	34
Donovan William J.	Telegraph Operator, Head Office	122
Donovan Joseph D.	Clerk, Lands Office	82
Dooner Patrick	Road Superintendent	108
Doran Patrick J.	Junior Operator, Telegraph Station, Muswellbrook, afterwards Glen Innes.	128-126
Doran John	Engineer Mechanic, Fitzroy Dry Dock	114
Doubleday George Hip- polite.	Supernumerary Draftsman, Survey Office	86
Doudney A. H.	Construction Overseer, Electric Telegraphs	131
Douglas Charles A.	Sheep Director, Albury	98
Douglas Elizabeth A.	Junior Operator, Electric Telegraph Branch, Waterloo	123
Douglass J. Henry	Sheep Director, Narrandera	99
Doust Ebenezer	Telegraph Station-master, Paterson	128
Doutty John	Junior Operator, Electric Telegraph Branch, La Perouse, after- wards Operator, Head Office.	123-121
Doutty Albany Clement	14th Locker, Customs, Sydney	72
Dow Samuel Alous	Vaccinator, Gunnedah	32
	Government Medical Officer, Gunnedah	34
Dowe G. L.	Mining Surveyor	95
Dowe William Darley	Sheep Inspector, Tamworth	97
Dowling Patrick	Junior Operator, Telegraph Station, Gundagai	127
Dowling James Sheen	District Court Judge, Metropolitan and Hunter District	52
	Chairman of Quarter Sessions, Metropolitan and Hunter District	68
Dowling George T.	Railway Station-master, Murrurundi	106
Dowling Edward	Reviser, Government Printing Office	75
Dowling Reginald	Sheep Director, Forbes	99
Dowling Peter John	Supernumerary Draftsman, Survey Office	86
Downe George	3rd Class Draftsman, Survey Office	86
Downing Richard Henry	Draftsman, Railway Department	103
Dowsett Frederick Carvosso	Draftsman, Department of Harbours, &c.	109
Dowson Rev. J. W.	Clerk, Government Printing Office	75
Doyle James H.	Minister of the Wesleyan Methodist Church, Penrith	136
Doyle Alfred John	Sheep Director, Brewarrina	98
Doyle Peter	Sheep Director, Narrabri	99
Doyle Matthew	Road Superintendent	108
Doyle Michael	Clerk, Wages Branch, Railway Department	102
Doyle C. E.	Warden's Clerk, Bingera	93
Doyle James R.	Sheep Director, Moree	99
Doyle Rev. Jeremiah J.	Sheep Director, Walgett	100
Doyle Herbert C. R.	Roman Catholic Chaplain, Gaol, Armidale	28
Drake John Henry Marshall	Clerk, General Post Office	117
Draper George E.	Junior Clerk, Council of Education Office	62
Drew Joseph J.	Telegraph Station-master, Candelo	125
Drew William G.	Railway Station-master, Darling Harbour	105
	Operator, Telegraph Station, Parramatta, afterwards Telegraph Station-master, Warren.	128-130
Drewe Sarah	Nurse, Erysipelas Hospital, Parramatta	47
Drewe Sydney Charles	Railway Station-master, Greta	106
Drewett John William	Assistant Engineer for Railways	103
Driver Richard	Chairman of Committees, Legislative Assembly	15
Druitt Rev. Thomas	Minister of the Church of England, Cooma	135
	Church of England Chaplain, Lunatic Asylum, Cooma	37
Drummond W.	Mining Surveyor	96
Drummond Peter	Draftsman, Mining Department	92
Drury J. S.	Electric Telegraph Construction Overseer	131
Duberly Charles	8th Landing-waiter, Customs, Sydney	72
Ducat John	Sheep Inspector, Port Macquarie	97
	Coroner, Kempsey	55
Ducker R. H.	District Registrar of Births, Deaths, &c., Richmond	22
Dudding William	Clerk of Petty Sessions, Patrick's Plains (Singleton)	59
	Agent for the Sale of Crown Lands, Singleton	88
	Mining Registrar, Singleton	94
	Registrar of the District Court, Singleton	52
Dudgeon John	Assistant Official Postmaster, Mudgee	120
Du Faur Eccleston	Chief Draftsman, Survey of Runs, Occupation of Lands Depart- ment.	96
Duff James Boscawen	Deputy Registrar of Deeds	21
Duff John	Cashier, Registrar General's Office	21
Duff John	Overseer, Botanic Gardens	89
Duffy Francis	Sub-Inspector of Police	25
Duffy James Joseph	Road Superintendent	108
Duffy James	Inspector of Way and Works, Great Northern Railway	103
Du Moulin Edward Joseph Brookes.	Junior Clerk, Branch Royal Mint	18
Duncan John M.	Clerk, Customs, Murray River (Moama)	73
Duncan William Augustine	Collector of Customs, Sydney	71
	Trustee, Free Public Library	64
	Member of the Council of Education	62
Duncan Charles	Agreements Validating Officer, Aberdeen (Scotland)	143
Dunne Peter A.	Line Repairer, Deniliquin	126
Durkan Patrick	Clerk, General Post Office	116
Dutton James	Entry Clerk and Storekeeper, Government Printing Office	75
Dwyer Patrick	Railway Station-master, Campbelltown	105
Dwyer William	Inspector of Schools, Armidale District	63

Names of Officers.	Office.	Page.
Dwyer John.....	Line Repairer, Electric Telegraph Branch, Goulburn	126
Dwyer William	Assistant Official Postmaster, West Maitland.....	120
Dwyer Timothy	Inspector of Schools, Mudgee District.....	63
Dymock David Lindsay	Captain, Jamberoo Volunteer Rifles	42
Dyson Edward D.	Road Superintendent	108
E		
Eadon Samuel Bailey	Vaccinator, Rocky Mouth and Lower Clarence	32
	Government Medical Officer, Lower Clarence.....	34
Eagar Frank Alexander	9th Clerk, Customs Department	71
Eagar Geoffrey.....	Under Secretary for Finance and Trade	70
	Auditor, University of Sydney	136
Eames John	Telegraph Station-master, Inverell	127
Eames Robert Lawton	1st Tide-surveyor, Customs, Sydney	72
Eames George Cook	Chief Clerk, Roads Department	107
Earngey George	Road Superintendent	108
Eastcott John R.	Assistant Official Postmaster, Goulburn, afterwards Deniliquin, afterwards Newcastle.	120-119
Easton George R.	Pilot, Richmond River	79
Eaton John James	Inspector of Public Revenue Collectors' Accounts	70
Eaton John	Vaccinator, Oberon	32
Eccles John	Lithographic Printer, Surveyor General's Office.....	86
Edmunds Henry William.....	Cadet, Council of Education Office	62
Edson Frederick Morten.....	Jury Clerk, Sheriff's Office.....	51
Edward Robert	Clerk, General Post Office	116
Edwards Francis	Forest Ranger (unattached), Occupation of Lands	97
Edwards Alfred G.	Clerk of Works, Colonial Architect's Department.....	109
Edwards James Richard.....	Clerk of Petty Sessions, Young	60
	District Registrar of Births, Deaths, &c., Young	22
	Registrar of the District Court, Young	53
	Agent for the Sale of Crown Lands, Young	88
	Warden's Clerk, Young	93
Edwards C.	Sheep Director, Casino	98
Edwards W.	Mining Surveyor	95
Edwards John	Clerk, Lands Department	82
	Land Appraiser	83
Edwards William Conway	Clerk, Lands Department	82
	Crown Lands Agent, Sydney	88
Edwards Frederick William.	Police Magistrate and Clerk of Petty Sessions, Coonabarabran	57
	Crown Lands Agent, Coonabarabran	87
	District Registrar of Births, Deaths, &c., Coonabarabran.....	21
	Coroner, Coonabarabran	54
	Mining Registrar, Coonabarabran.....	93
	Registrar of District Court, Coonabarabran.....	54
Edwards James P.	Railway Station-master, Ravensworth	106
Edwards Henry D.	Junior Operator, Electric Telegraph Station, Ten-mile Creek, afterwards Station-master, Tumberumba.	129-130
Edwards Henry T.	Sheep Director, Eden	99
Edwards William Leonard	3rd Clerk, Legislative Council	14
Egan Myles	Superintendent of Vaccine Institution, Sydney	31
	Police Surgeon.....	33
Elder John	Electric Telegraph Construction Overseer	131
Elder Rev. John	Minister of the Church of England, Windsor	134
Eldershaw Florence	Junior Operator, Electric Telegraph Branch, Oxford-street.....	123
Eldershaw Percy	Telegraph Operator, Sydney	121
Eldershaw Philip Eld.....	Clerk, Survey Office	87
Ella Thomas	Junior Operator, Telegraph Station, Bombala, afterwards Station-master, Bateman's Bay.	124-125
Ellard William E.	Clerk, Colonial Architect's Department	109
Elliott Alfred	District Registrar of Births, Deaths, &c., Wollombi.....	22
Elliott A.	Mining Surveyor	95
Elliott David J.	Telegraph Station-master, Morangarell.....	128
Elliott Henry Sherman	Police Magistrate, Casino	59
	Warden, Department of Mines	92
Elliott John George	Assistant Official Postmaster, Albury	119
Elliott George C.	Sub-Lieutenant, Naval Brigade	45
Elliott Thomas F.	Clerk, Railway Department	102
Ellis H. N.	Probationer, Treasury	70
Ellis John Wolston	Chief Draftsman, Surveyor General's Office	85
Ellison Charles Edwin.....	Supernumerary Draftsman, Survey Office	86
Elwin Theodore	1st Class Draftsman, Surveyor General's Office	85
Elwin W. G.	Coroner, Narrandera	55
Elyard Frederick Charles William.	Clerk, Registrar General's Office (Land Titles Branch).....	21
Emanuel Louis	Assistant Postmaster, Newcastle	120
Emblin John W.	Official Postmaster, Armidale	119
Emblin Mary D. Vere.....	Assistant Official Postmistress, Armidale.....	119
Emerson W. J.	Bailiff, Warden's Court, Vegetable Creek	94
Ennis John Robert	Chief Clerk, Sheriff's Office	51
Erith William Edward Norton.	Assistant Medical Officer, Hospital for the Insane, Gladesville	35
Etheridge William	Junior Operator, Telegraph Station, Newcastle, afterwards Campbelltown	128-125
Evans Henry Vansittart.....	Surveyor, 1st Class	84
Evans William Tucker	District Registrar of Births, Deaths, &c., Orange	22
	Warden's Clerk, Orange.....	93
	Registrar of the District Court, Orange	53

INDEX.

XXV

Names of Officers.	Office.	Page.
Evans William Tucker	Clerk of Petty Sessions, Orange	59
(continued)	Agent for the Sale of Crown Lands, Orange	88
Evans E.	Construction Overseer, Electric Telegraphs	131
Evans Edwin	Inspector of Conditional Purchases	83
Evans George Trotter	Goods Superintendent Railway Station, Sydney	104
Evans Thomas	Clerk, Surveyor General's Office	86
Evans Thomas	District Surveyor	84
Evans J.	Mining Surveyor	95
Evans Owen Spencer	Surgeon, Naval Brigade	45
	Visiting Surgeon, Ordnance and Barrack Department	76
	Vaccinator, Balmain	31
	Visiting Surgeon, Nautical School Ship "Vernon"	33
	Visiting Surgeon, Industrial and Reformatory Schools, Biloela	33
	Member of the Medical Board	31
Evans William	Sheep Director, Pilliga	100
Evans James T.	Clerk, Lands Department	82
Evans John Richard	Record Clerk, Stores Department	74
Evans Alfred Essex	Clerk, Treasury	71
Evans George R.	District Registrar of Births, Deaths, &c., Murrurundi	22
	Registrar of District Court, Murrurundi	53
	Clerk of Petty Sessions, Murrurundi	58
	Crown Lands Agent, Murrurundi	88
	Mining Registrar, Murrurundi	94
Evans-Jones David.	Church of England Chaplain, Gaol Deniliquin	29
Evelyn Samuel Charles James.	Clerk, Registrar General's Office (Statistical Branch)	20
Ewen Robert R.	Railway Station-master, Goulburn	105
Ewing Rev. Thomas C.	Minister of the Church of England, Wollongong	134
Ewington William Frederick.	Vaccinator, Araluen and Braidwood	31
F		
Fache Charles John	English Master, Sydney Grammar School	137
Faed William	Sheep Director, Urana	100
Fagan M.	Warden's Clerk, Sofala	93
Fahey Francis	Captain, N.S.W. Regt. Volunteer Artillery	38
Fairbairn Margaret	1st Teacher, Protestant Orphan School, Parramatta	63
Fairclough Hugh	Member of Marine Board	77
Fairfax Andrew	Cashier, Council of Education Office	62
Fairweather P.	Engineer Surveyor, Port Macquarie	77
Faithful G. E.	Mining Surveyor	95
Falconer M'Vey Napier	Railway Station-master, Newtown	105
Falconer M'Vey Napier, junior.	Record Clerk, Railway Department	103
Falconer James	Telegraph Station-master, Uralla, afterwards Junior Operator, Tamworth.	130-129
Falconer Robert	Cadet, Colonial Architect's Office	109
Falder Robert	Vaccinator, Hartley	32
	Medical Officer, Hartley	34
Fancourt Thomas	Warehousekeeper, Customs, Sydney	72
Faris Thomas Tayton	Assistant Officer of Customs, Corowa	74
Farnell James Squire	Secretary for Lands	82
Farquhar George	Railway Station-master, Wallerawang	105
Farquharson Robert James	Assistant Official Postmaster, Manly	120
	Junior Telegraph Operator, Manly	123
Farr Edward J. R.	Clerk, Department of Mines	92
Farrell William Thomas	Captain, 1st Regiment Volunteer Infantry	41
Farrelly Michael	Clerk to Health and Emigration Officer	76
Faucett Peter	2nd Puisne Judge	50
Fay Michael	10th Locker, Customs, Sydney	72
Fegan Edward William	8th Clerk, Central Police Office	56
Felmingham William	Member of Board of Pharmacy	80
Fenwick C. D.	Sheep Director, Armidale	98
Ferris George T.	Railway Station-master, Muswellbrook, afterwards Singleton	106
Ferris John J. R.	Check Clerk, Telegraph Department	121
Ferris Joseph Hanley	Supernumerary Draftsman, Survey Office	86
Ferris William John	Boys' Teacher, Roman Catholic Orphan School, Parramatta	63
Ferris Thomas	Sub-Inspector of Police	25
Ferris Thomas W.	Clerk, Electric Telegraph Department	121
Ferris Lizzie	Official Postmistress, Waverley	118
	Junior Telegraph Operator, Waverley	123
Fetherston Richard	Assistant Postmaster, Deniliquin, afterwards Albury	110
Fewings Edward William	Supernumerary Draftsman, Survey Office	86
Fewings Joseph George Richard.	Supernumerary Draftsman, Survey Office	86
Fielder Francis South	4th Clerk, Water Police Office	56
Fielding Edward	Railway Station-master, Fairfield	105
Finch Charles Edward	1st Class Draftsman, Surveyor General's Office	85
	Supernumerary Lieutenant, 1st Regiment Volunteer Infantry	42
Finegan John Patrick	Clerk, Wages Branch, Railway Department	102
Finlay John Taylor	Pay and Quarter Master's Clerk, Military Department	39
Finley Francis George	1st Class Surveyor	84
	Mining Surveyor	95
Finn Martin Patrick	Cadet, Occupation of Lands Department	96

Names of Officers.	Office.	Page.
Finnegan Rev. Edward A.	Roman Catholic Chaplain, Gaol, Young	29
Finney Richard	Junior Operator, Telegraph Station, Newcastle, afterwards Cowra	128-126
Firth Thomas Rhodes.....	Resident Engineer, Railway Department	104
Firth William	Mate, Pilot Steamer "Captain Cook"	78
Fisher Arthur Money.....	Police Magistrate and Clerk of Petty Sessions, Bellinger River ..	56
	Coroner, Bellinger and Nambucca.....	54
	Assistant District Registrar of Births, Deaths, &c., Boat Harbour...	22
Fisher H.	Mining Surveyor, Grafton	95
Fisher James	Warden's Clerk, Lionsville.....	93
Fisher James Churchill ..	Lieutenant, 1st Regiment Volunteer Rifles	43
Fisher Edward	District Surveyor.....	84
Fitzgerald Christopher H.	Junior Operator, La Perouse Station, afterwards Operator, Head Office.	123-122
Fitzgerald Elizabeth	Matron, Gaol, Yass	28
Fitzgerald James	Gaoler, Yass.....	28
Fitzgerald Michael	Surveyor, Railway Department.....	104
Fitzgerald Robert David...	Deputy Surveyor General	84
	Chief Mining Surveyor	92-95
Fitzgerald William John	Draftsman, Railway Department (Engineer-in-Chief's Branch) ..	103
Fitzpatrick Henry Augustine.	Clerk, Lands Department	83
Fitzpatrick Michael Joseph	Registration Clerk, Registrar General's Office	21
Fitzpatrick Michael	Colonial Secretary	20
Fitzsimmons John H.	Junior Telegraph Operator, Blacktown	124
Fitzsimons Richard Higginson.	Police Magistrate and Clerk of Petty Sessions, Coonamble	57
Flanagan Rev. Michael ..	Minister of the Roman Catholic Church, Kiama.....	135
Flanagan James	Chief Clerk and Deputy Shipping Master, Sydney.....	76
Flanagan William T.	Sheep Director, Braidwood	98
Flanders Arthur	Telegraph Station-master, Ulmarra	130
Flannigan J.	Warden's Clerk, Barraba	93
Fletcher Joseph W.	Sheep Director, Bourke	98
Fletcher Arthur Polglase	Probationary Junior Clerk, Branch Royal Mint	18
Fletcher Hamlet	Sheep Director, Narrabri.....	99
Fligg Henry	Assistant Storekeeper, Railway Department	106
Flood Edward	Sheep Director, Sydney	100
Flood Edward, junior.....	Sheep Director, Dubbo	99
Flood J. W.	Police Magistrate, Hill End	58
Flynn Patrick Henry	Supervisor of Field and Office Accounts, and Accountant, Roads...	107
Foley Patrick J.	Clerk, General Post Office	116
Foley Timothy.....	District Registrar of Births, Deaths, &c., Muswellbrook	22
	Registrar of the District Court, Muswellbrook	52
	Clerk of Petty Sessions, Muswellbrook.....	59
	Agent for the Sale of Crown Lands, Muswellbrook.....	88
Foley Joseph T.	Telegraph Station-master, Clarence Town	125
Folkard Thomas	Chief Attendant, Hospital for the Insane, Gladesville.....	35
Forbes R. W. (Dr.).....	Representative Commissioner, Paris Universal Exhibition.....	46
Forbes Alice	Matron, Gaol, Bathurst	27
Forbes Alexander.....	Gaoler, Bathurst	27
Forbes Alexander Leith ..	Assistant Examiner, Council of Education	62
Forbes David Grant.....	District Court Judge and Chairman of Quarter Sessions, South-Western District.	53-68
Ford Peter	Lithographic Printer, Survey Office	86
Forde Rev. Austin John..	Acting Roman Catholic Chaplain to the Permanent Military Force	38
Forde William.....	Clerk, Public Works Office.....	102
Foreman Joseph	Coroner, Richmond River	55
	Vaccinator, Richmond River and Tweed River	32-33
Forster W. A.	Construction Overseer of Electric Telegraphs.....	131
Forster William Thomas...	Coroner, Bourke	54
Forster Henry William ..	1st Clerk, Quarter Sessions Department	68
Forster William	Representative Commissioner, Paris Universal Exhibition.....	46
	Agent-General for the Colony (resident in England).....	45
Forsyth Charles	Clerk, General Post Office	117
Forsyth Francis William Grant.	Clerk, Gaol, Sydney.....	26
Forsyth George J.	Cadet, Public Works Office.....	102
Forsythe James	Clerk, Colonial Architect's Department.....	109
Fosberry L. A.	Mining Registrar, Wagga Wagga.....	94
Fosbery Edmund.....	Inspector General of Police	24
	Member of Hyde Park Improvement Committee	89
Foskett William	Clerk, Shipping Master's Office	76
Foss Christopher Vaughan	Clerk and Schoolmaster, Gaol, Berrima.....	27
Foster William B.	Clerk, General Post Office	116
Foster Henry J.	Temporary Clerk, Brands Office	97
Foster W. J.	Warden's Clerk, Nerrigundah, also Eurobodallah	93
Foster William John	Attorney General.....	68
Foucart Louis	Assistant Government Medical Officer, Sydney	31
Fowler Frederick.....	Superintendent, Lunatic Receiving House, Darlinghurst	36
Fowler Arthur D.	Telegraph Station-master, Bungendore.....	125
Fowler Frederick J.	Station-master, Electric Telegraph Branch, Coonamble, afterwards Cowra.	125-126
Fowler Eliza Ann	Matron, Lunatic Receiving House, Darlinghurst	36
Fox G. M.	Sheep Director, District of Condobolin	98
Fox Henry T.	Member of Marine Board	77
Frances J.	Junior Operator, South Head	79
Francis John D.	Assistant to District Engineer, Railway Department	104
Francis Alfred	Surveyor, Railway Department	104
Francis Charles Henry ..	Assistant Master, Sydney Grammar School.....	137

INDEX.

xxvii

Names of Officers.	Office.	Page.
Franck Eduard	Agreements Validating Officer, Berlin	143
Franklin Frederick A.	Assistant Engineer, Roads Department	107
Franks R. C.	Inspector of Conditional Purchases	83
Fraser Alexander	7th Landing-waiter, Customs, Sydney	72
Fraser Donald	1st Lieutenant, 2nd Regiment Volunteer Infantry	42
Fraser John	Captain, Sanchie House School Cadet Corps, Volunteer Rifles.....	42
Fraser Alexander	1st Lieutenant, 2nd Regiment Volunteer Infantry	43
Fraser Archibald Colquhoun.	Clerk of the Peace for the Colony.....	68
Fraser Colin	Sheep Director, Brewarrina	98
Fraser William	3rd Clerk, Central Police Office, Sydney	56
Fraser Patrick L.	Engineer Surveyor, Clarence River	77
Fraser William Wilberforce.	Coroner, Inverell	55
	Police Magistrate, Inverell	58
	Warden, Department of Mines	93
Fraser Augustus R.	Sheep Director, Glen Innes	99
Frazer D. M.	Sheep Director, Narrabri	99
Frazer John	Representative Commissioner, Paris Universal Exhibition	46
Freeburn Francis	Pilot, Clarence River	79
Freeman Stephen	Clerk of Petty Sessions, Forbes.....	57
	District Registrar of Births, Deaths, &c., Forbes.....	22
	Crown Land Agent, Forbes	88
	Registrar of the District Court, Forbes	53
Freeman Ambrose	Clerk, Audit Office	23
Freeman Frederick C.	Booking Clerk, Electric Telegraph Department	121
Freeman William	1st Class Draftsman, Surveyor General's Office	85
French Arthur Forster ..	Deputy Master's Clerk, &c., Branch Royal Mint.....	18
Frewin Jeremiah	Gaoler, Braidwood	28
Frewin Margaret	Matron, Gaol, Braidwood	28
Frith Thomas Benedict ..	1st Lieutenant, Volunteer Artillery	39
Frost Henry	Assistant Instrument Fitter, Electric Telegraphs	122
Fry Charles	Telegraph Station-master, Dungog, afterwards Operator, Head Office.	126-121
Fry James Arthur B.	Clerk, General Post Office	117
Fuller Thomas J.	Surveyor, Department of Harbours and River Navigation	111
Fullerton George	Commissioner of Crown Lands, Wellington and Bligh Districts ...	96
Fullerton Rev. James, LL.D.	Presbyterian Minister, Pitt-street, Sydney	136
Fulton Henry M.	Coroner, O'Connell Plains	55
Furber Augustus Frederick	Foreman of Bookbinding Branch, Government Printing Office ...	75
Furber Thomas Frederick	Draftsman and Computer, Survey Office	87
Furley James	Junior Operator, Electric Telegraph Branch, Exchange	123
Furnifull Robert	Coroner, Walcha	55
Fursman William	Assistant Official Postmaster, Newcastle	120
Fussell James Cecil	Assistant Officer of Customs, Albury	73
Futter John Sedley	Commissioner of Crown Lands, Lachlan District	96
Fyfe John	Engineer and Master of the Steam Dredge "Fitzroy"	113
	Engineer Surveyor, Macleay River	77
Fyffe Benjamin	Vaccinator, Redfern	31
G		
Gabriel C. L.	Vaccinator, West Kempsey	32
Gaden R. G. B.	Sheep Director, Dubbo	99
Gainford Thomas	Clerk, Treasury	70
Galbraith F.	Assistant Clerk of Petty Sessions, Berrima.....	56
Gale Henry	Official Postmaster, Paddington	118
	District Registrar of Births, Deaths, &c, Paddington	21
Gall Albert Richard	2nd Class Draftsman, Survey Office	85
Gallagher John P.	Telegraph Station-master, Molong	128
Gallagher H.	Construction Overseer, Telegraph Department	132
Galway P. J.	Warden's Clerk, Little River.....	93
Gambell Elizabeth M.	Telegraph Operator, Ulladulla	130
Gambell William	Light-keeper, Ulladulla	78
Gannon, John Frederick ..	7th Clerk, Central Police Office.....	56
Gardiner John	Examiner, Council of Education	62
Gardner Archibald	Assistant Clerk and Storekeeper, Branch Royal Mint, Sydney.....	18
Gardner Frank	Sub-Lieutenant, Naval Brigade.....	45
Garland Edward Adam ..	4th Clerk, Legislative Council	14
Garland James	Superintendent of Police	24
Garran Andrew	Member of Sydney International Exhibition Commission	47
Garrard John Burrows ..	Pilot, Macleay River	79
Garrard John B.	Telegraph Operator at Macleay River Heads	127
Garrett John	Police Magistrate, Scone.....	59
	Warden, Mining Department	93
Garrett Thomas	Chairman of Committees, Legislative Assembly.....	15
Garrett Thomas William...	Clerk, Supreme Court Office	50
Garvan Denis A.	Railway Station-master, High-street	106
Garvan —	Shipwright Surveyor, Richmond River	77
Garvan Denis George	Assistant Official Postmaster, Haymarket	120
Garvin John	3rd Class Draftsman, Survey Office	86
Garvin Thomas	Sub-Inspector of Police	25
Gates Joseph	Gaoler, Port Macquarie, afterwards Young.....	28-29
Gates Mary A.	Matron, Gaol, Port Macquarie, afterwards Young	28-29
Geary Harry V.	Inspector of Conditional Purchases	83
Gentle Peter Hume.....	Vaccinator, Goulburn	32
	Medical Officer, Goulburn	34
	Visiting Surgeon, Gaol, Goulburn.....	33

Names of Officers.	Office.	Page.
George Robert	Supernumerary Lieutenant 1st Regiment Volunteer Infantry	44
Gerard Francis	Draftsman, Occupation of Lands Department	96
Gerard Edward Maber Spark	1st Class Draftsman, Survey Office	85
Getty William	Vaccinator, Carcoar	31
	Medical Officer, Carcoar	34
Gibbes Rosa Elizabeth W.	Assistant Official Postmistress, Manly	120
	Junior Telegraph Operator, Manly, afterwards Park-street	123
Gibbes William Charles Valentine	Clerk, Audit Office	23
Gibbons John R. H.	Clerk, General Post Office	117
Gibson G. H.	Clerk, Lands Office	82
Gibson Henry	Telegraph Station-master, Jervis Bay	127
Gibson Henry	Superintendent, Light-house, Cape St. George	78
Gibson Thomas J.	Sheep Director, Albury	98
Gibson Andrew	Sheep Director, Goulburn	99
Gibson William Frederick	Senior Clerk and Coiner, Branch Royal Mint, Sydney	18
Gibson John Manifold	Accountant, Council of Education Office	62
Gilchrist Alexander	Supernumerary Lieutenant, 2nd Regiment, Volunteer Infantry	44
Gilchrist Drummond	Clerk, Audit Office	23
Gilchrist Thomas	Foreman of Refining Department, Branch Royal Mint, Sydney	18
Giles James	Clerk of Petty Sessions, Bombala	56
	Registrar of the District Court, Bombala	52
	Crown Lands Agent, Bombala	87
	District Registrar of Births, Deaths, &c., Bombala	21
	Warden's Clerk, Bombala	93
Gilfillan H.	Midshipman, Naval Brigade	45
Gill John	Sheep Director, Tamworth	100
	Sheep Director, Armidaie	98
Gillam Henry Wheeler	Clerk, Registrar General's Office (Deeds Branch)	21
Gillespie Edward	2nd Lieutenant, Goulburn Volunteer Infantry	44
Gillett Rev. William	Rector of St. John's College	137
Gilmour John Newell	Sheep Director, Bathurst	98
Gipps G. P.	Surveyor, Department of Harbours and River Navigation	111
Girard A. M.	Sheep Director, Casino	98
Gjedsted Edward	Draftsman, Railway Department (Engineer-in-Chief's Branch)	103
Glasson William	Clerk, Office of the Agent General, Resident in London	45
Gleeson J. J.	Mining Surveyor	95
Gleeson J. M.	Bailiff of Warden's Court, Bombala	94
Glen James	Clerk, Railway Department	102
Glennie Henry	Vaccinator, Singleton	33
	Honorary Assistant Surgeon, Singleton Volunteer Rifles	44
	Coroner, Patrick's Plains	55
	Government Medical Officer, Patrick's Plains	34
	District Registrar of Births, Deaths, &c., Raymond Terrace	22
Gloag William	Telegraph Operator, Seal Rocks, afterwards Head Office	129-122
Glover James	Assistant District Engineer, Railway Department	104
Glover William	Telegraph Operator, Nelson's Bay	79
Glover William	Light-keeper, Nelson's Bay	79
Godbolt Thomas	Clerk, Imperial Pension Office	79
Godfrey Thomas	2nd Landing-waiter, Customs, Sydney	71
Goff Thomas Henry	Clerk, Office Inspector General of Police	24
Goff Robert Albert	Clerk, Department of Comptroller General of Prisons	25
Goggin John Frederick	1st Class Draftsman, Survey Office	85
Goldie Charles James Dashwood	Assistant Master, Sydney Grammar School	137
Goldrick John	Junior Operator, Telegraph Station, Grafton, afterwards Tamworth	126-129
Gomm E. J. F.	Mining Surveyor	95
Goodchap Charles Augustus	Secretary, Railway Department	102
	Commissioner for Railways	102
	Member of Public Works Tender Board	109
Goode George	Vaccinator and Medical Officer, Camden, &c.	31-34
Goodhew W.	Gardener, Sydney University	136
Goodlet John Hay	Commanding 2nd Regiment Volunteer Infantry	40
Goodman William	Chief Clerk, Colonial Secretary's Office	20
Goodman Walter	Telegraph Operator, Head Office	122
Goodman W. H.	Agent for the Sale of Crown Lands, Liverpool	88
Goodwin T. H. W.	Mining Surveyor	95
Goold George	Ticket Clerk, Railway Department	102
Goold John B.	Coaching Superintendent Railways	104
Goold Pierce	Clerk, General Post Office	116
Gordon John Mackenzie	Vaccinator and Medical Officer, Hay	32-34
Gordon G. H.	Sheep Director, Warialda	100
Gordon W.	Sheep Director, Braidwood	98
Gordon Henry	Police Magistrate, &c., Wollombi	60
	Agent for the Sale of Crown Lands, Wollombi	88
Gordon Lambert Skene	3rd Class Draftsman, Survey Office	86
Gordon James A.	Telegraph Station-master, Newton Boyd	128
Gordon John	Road Superintendent	108
Gordon Samuel Deane	Member of Paris Universal Exhibition Commission	46
Gordon Charles Edward	Sub-Collector of Customs, Moama (Murray River)	73
Gorick George	Cadet, Department of Harbours and River Navigation	111
Gough George Bond	1st Lieutenant, 2nd Regiment Volunteer Infantry	41
Gould Albert John	Ensign, Singleton Volunteer Rifles	44
Gowan Bowie Campbell	Surveyor, Railway Department	104

INDEX.

xxix

Names of Officers.	Office.	Page.
Gower George H.	Warden's Clerk, Vegetable Creek	93
	Registrar of District Court, Vegetable Creek	53
	Clerk of Petty Sessions, Vegetable Creek	60
Gracie William	Agreements Validating Officer, Liverpool (England)	143
Gracie Arthur	Cadet, Roads Department	107
Graham James	Signal-master, South Head	79
Graham Robert	Station-master, Electric Telegraph Branch, Moulamein	127
Graham Donald	Station-master, Electric Telegraph Branch, Newcastle	128
Graham John R. R.	Junior Telegraph Operator, Tenterfield	130
Graham James Brisbane	Police Magistrate, Tenterfield	59
	Warden, Mining Department	92
Graham William	Station-master, Electric Telegraph Station, Nimitybelle, afterwards Vegetable Creek.	128-130
Grainger Edward	Sub-Inspector of Police	25
Grainger Thomas Banner- man.	Clerk, General Post Office	117
Grant Alexander Ogilvie	Police Magistrate, Bourke	56
	Warden, Mining Department	93
	Acting Sub-Collector of Customs, Bourke	74
Grant Charles Henry	Official Postmaster, Mudgee	119
Grant Charles James	Vaccinator and Government Medical Officer, Bourke, afterwards Hartley.	31-32-34
Grant Charles Travers	Sub-Collector of Customs, Grafton	73
	Tide-Surveyor, Newcastle	73
Grant William	3rd Class Draftsman, Survey Office	86
Granter J.	Mining Surveyor, Cassilis	95
Grantham Major	Surveyor, Engineer's, Department Harbours and Rivers	111
Gray John G.	Sheep Director, Corowa	98
Gray John F.	Sheep Director, Yass	100
	Coroner, Gunning	54
Gray Andrew	Construction Overseer of Electric Telegraphs	131
Gray F. C.	Clerk, Traffic Audit Branch, Railways	106
Gread Michael John Francis.	Cadet, Occupation of Lands Office	96
Greaves William Albert Braylesford.	Mining Surveyor (Armidale)	94
	District Surveyor	84
Green Alfred	14th Landing-waiter, Customs, Sydney	72
Green Joseph	Clerk, Occupation of Lands Office	96
Green John	Locker, Customs Station, Wagga Wagga	74
	10th Landing-waiter, Customs, Sydney	72
Green Thomas H.	Forest Ranger, Richmond River	97
Greenland Herbert	Surveyor, Railway Department	104
Gregory Charles Smith	Clerk, Audit Office	23
Gregory David William	Clerk, Audit Office	23
Gresty George	Telegraph Operator, Sydney	121
Greville Alexander	Secretary to the Attorney General	68
Greville Edward	Trustee, Free Public Library	64
Greville Henry James	Chief Clerk, Insolvent Court Office	51
Grey William	Vaccinator, Sydney	31
Grey William Charles	Assistant Draftsman, Railway Department (Engineer-in-Chief's Branch).	104
Griffin John C.	Mining Surveyor (Booligal)	94
Griffiths Charles	Sub-Overseer, Government Printing Office	75
Griffiths Thomas	Booking Clerk, Electric Telegraph Department	121
Grigson Robert Edward	Vaccinator, Muswellbrook and Merton	32
	Medical Officer, Muswellbrook and Merton	34
Grime William J.	Telegraph Station-master, Kynnumboon	127
Gritton William	Secretary to Board of Pharmacy	80
Grönvald Frederick	Clerk, Council of Education Office	62
Gross Augusta	Instrument Fitter, Electric Telegraph Branch, Newcastle	128
Gruggen Charles P.	Sheep Director, Tamworth	100
Guest Charles Septimus	1st Lieutenant, Windsor Volunteer Infantry	43
Guise John William	Captain, 2nd Regiment, Volunteer Infantry	42
Gunn W. S.	Clerk of Petty Sessions, Crookwell	57
Gunning George	Junior Operator, Telegraph Station, Brewarrina	125
Gunther Rev. James	Minister of the Church of England, Mudgee	135
	Church of England Chaplain, Gaol, Mudgee	29
Gurney George	3rd Clerk, Quarter Sessions Department	68
Gurney Theodore T., M.A.	Professor of Mathematics, University of Sydney	136
H		
Hack Frank George	Clerk, Survey Office	87
Hackett James T.	Telegraph Station-master, Rylstone	129
Halbert John	Locker, Customs, Newcastle	73
Hales Frederick Barnwell.	Police Magistrate and Clerk of Petty Sessions, Walgett	60
	Coroner, Walgett	55
	Registrar of District Court, Walgett	54
	Crown Lands Agent, Walgett	88
	District Registrar of Births, Deaths, &c., Walgett	22
Halkett Alexander	Engineer and Master of Steam Dredge "Hercules"	111
	Engineer Surveyor, Shoalhaven	77
Hall Richard Thomas	Examiner of Expenditure Accounts, Audit Office	23
Hall William Henry	2nd Class Draftsman, Survey Office	85
Hall James	Sheep Director, Carcoar	98
Hall J.	Mining Surveyor	96

Names of Officers.	Office.	Page.
Hall Charles Alfred	Junior Clerk, Council of Education Office	62
Halliday John	Superintendent of Works, Richmond River (Harbours and Rivers)	110
Halligan Gerald	Chief Clerk, Department of Public Works	102
	Secretary to the Board for opening Tenders for Public Works.....	109
Halligan Edwin Molloy	Assistant Draftsman, Railway Department	104
Halligan Gerald H.	Assistant Draftsman, Department of Harbours and Rivers	110
Hallinan Rev. Patrick.....	Minister of the Roman Catholic Church, Windsor.....	135
Halloran Annie	Junior Telegraph Operator, William-street.....	123
Halloran Thomas James...	Schoolmaster, Protestant Orphan School, Parramatta	63
Halloran William John	2nd Clerk, District Court Office, Sydney.....	52
Halloran Henry (J.P.)	Under Secretary, Colonial Secretary's Office	20
	Member of the Board for opening Tenders for Runs.....	89
	Member of Paris Universal Exhibition Commission	46
Halloran John	Locker, Queen's Warehouse, Customs, Sydney	72
Hambly Jabez	3rd Assistant Postmaster, Bathurst, afterwards Clerk, General Post Office.	119-117
Hamilton George.....	Ensign, 2nd Regiment Volunteer Rifles	44
Hamilton George Henry...	Vaccinator, Sydney.....	31
Hamilton John	Member of Board of Pharmacy.....	80
Hamilton Algernon Percy Douglas.	Assistant Examiner of Diagrams on Crown Grants.....	86
Hammond Thomas	Electric Telegraph Operator, Head Office.....	121
Hammond Charles	Station-master, Electric Telegraph Branch, Moama	127
Hammond Alfred D. Lisle	Assistant Master, Sydney Grammar School.....	137
Hammond William Henry	Sheep Director, Brewarrina	98
Hammond Thomas W.	Sheep Director, Wagga Wagga	100
Hancock Robert.....	Surveyor for Alignment of Streets	85
Hancock Samuel Dyer.....	Clerk, Railway Department	106
Hanley Rev. James.....	Minister of the Roman Catholic Church, Yass	135
Hanley M.	Warden's Clerk, Ironbarks.....	93
Hanna Thomas	Telegraph Line Repairer, Tenterfield	130
Hannell Clarence H.	Shipping Master, Newcastle	76
Hannell James Edward	Landing-waiter, Customs, Newcastle	73
Hannell Jesse	Superintendent Light-house, Newcastle	78
Hanson Charles	Assistant Signal-master, Fort Phillip	79
Hanson Ernest	Clerk, Treasury	70
Hanson Herbert	Junior Telegraph Operator, St. Leonards	123
Hardy Henry	Surveyor, Railway Department.....	104
Hare Harry	2nd Class Draftsman, Survey Office	85
Hare Reginald	Police Magistrate and Clerk of Petty Sessions, Corowa.....	57
	Coroner, Corowa	54
	Registrar of the District Court, Corowa	53
Hare Arthur John	2nd Class Draftsman, Survey Office	85
Hargrave John Fletcher (M.A.)	1st Puisne Judge	50
	Judge, Divorce and Matrimonial Causes Court	51
Hargrave Gilbert	Associate to Mr. Justice Hargrave	50
Hargraves William Henry	2nd Clerk, Equity Office	50
Harle Thomas Yelloly.....	Clerk, General Post Office	116
Harmer John Frederick	5th Clerk, Water Police Office	56
Harnett Laurence Joseph..	Sergeant-at-Arms, Legislative Assembly	15
Harper C. A.	Mining Surveyor	96
Harper Samuel	19th Landing-waiter, Customs, Sydney	72
Harpur F. M.	Clerk, Lands Office	84
Harpur William	Inspector of Conditional Purchases	83
Harpur Henry Stephen	Clerk, Lands Department	83
Harricks Francis Meagher	Vaccinator and Medical Officer, Corowa	31-34
Harriott Thomas Warre...	Commissioner of Crown Lands, New England, &c., afterwards Officer in Charge of Department.	96
	Member of Board for opening Tenders for Runs	89
Harris Thomas	Telegraph Station-master, Scone	129
Harris John	Junior Operator, Telegraph Station, Lambton	127
Harris William	Operator, Telegraph Station, Newcastle, afterwards Station-master, Barraba, afterwards Station-master, Waratah.	128-125 130
Harris Charles Henry.....	Clerk, Ordnance and Barrack Department	76
Harris Richard	Medical Visitor to Lunatic Asylum for Imbeciles, &c., Newcastle... Health Officer, Newcastle	33 76
	Vaccinator, Newcastle	32
Harris John	Drill-master, Protestant Orphan School, Parramatta	63
Harris W. H.	Vaccinator, Brisbane Water	31
Harris E. A.	Mining Surveyor, Bourke	94
Harrison Charles E.....	Sub-Inspector of Police	25
Harrison James T.	Station-master, Electric Telegraph Branch, Urana, afterwards Line Repairer, Wagga Wagga.	130
Harrison W. S.	Construction Overseer, Electric Telegraphs.....	131
Harrison Charles T.	Telegraph Station-master, Bega	124
Hart Ludovico W.	Operator, Woodbury and other Processes, Government Printing Office.	75
Harte Michael Sherdian	3rd Clerk, Crown Solicitor's Office	68
Hartnoll Alfred George	Clerk, Railway Department	103
Harvey Constable J.....	Warden's Clerk, Bourke.....	93
Hasie H. C.	Mining Surveyor	96
Haslingden Edward J.....	Telegraph Operator in the Head Office	122
Haviland Edwin Cyril.....	Assistant Ordnance Storekeeper	76
	Secretary to the Board for Inspecting, &c., Colonial Warlike Stores	79
Hawkins Henry Spendlove	Computer, Triangulation Staff, Survey Office.....	87
Hawkins Thomas Jarman..	Commissioner of Conditional Purchases	83
Hawkins Rev. W. C.	Minister of the Church of England, Manning River.....	134
Hawley Doctor Richard	Assistant Librarian, &c., Free Public Library.....	64

INDEX.

xxxii

Names of Officers.	Office.	Page.
Hay Sir John, K.C.M.G.	President of the Legislative Council	14
	Vice-President of Paris Universal Exhibition Commission	46
	Vice-President of Sydney International Exhibition Commission	47
Hay George Dougal	Sheep Director, Corowa	98
Hay George S.	Telegraph Line Repairer, Tamworth	129
Haydock Oliver	Telegraphic Station-master, Wallsend	130
Hayes W. J. H.	Junior Telegraph Operator, Bega	124
Hayes Samuel	Shipwright Carpenter, &c., Fitz Roy Dry Dock	114
Hayes John	Telegraph Line Repairer, Bathurst	124
Hayley William Foxton	Assistant Surgeon, Western Battalion Volunteer Infantry	44
Haylock C.	Mining Surveyor, Cooma	95
Haynes E.	Clerk, Lands Office	84
Hays Richard Blaxland	Registrar of District Court, Eden	52
	District Registrar of Births, Deaths, &c., Eden	22
	Clerk of Petty Sessions, Eden	57
	Crown Lands Agent, Eden	88
Hayward George N.	Telegraph Operator, Head Office	122
Hayward Walter W.	Assistant Storekeeper, Fitz Roy Dry Dock	114
Hazelden Henry J.	Junior Telegraph Operator, Bathurst	124
Hazelton W. H.	Bailiff, Warden's Court, Grenfell	94
Heady J.	Mining Surveyor	95
Healey Patrick Joseph	Crown Prosecutor, Southern District	68
Healey Thomas	2nd Class Draftsman, Surveyor General's Office	85
Heally Pierce J.	Clerk, General Post Office	117
Heazlett J.	Mining Registrar, Major's Creek	94
Hebblewhite Samuel	Representative Commissioner, Paris Universal Exhibition	46
Hedgeland George Caleb	Surveyor for Alignment of Streets	85
Heeley John Theophilus	Vaccinator and Medical Officer, Young	33-34
	Visiting Surgeon to the Gaol, Young	33
Hellyer William A.	Ticket Clerk, Railway Department	102
Helm C.	Clerk, Lands Office	82
Helm Charles Orlando	Clerk, Department of Mines	92
Hemming William	Accountant, Store Branch of the Treasury	74
Henderson J.	Sheep Director, Menindie	99
Henderson George	Assistant District Registrar of Births, Deaths, &c., Nambuccera River.	22
Henningham William John	Coroner, Mudgee	55
Henry William E.	Clerk, Department of Mines	92
Henry Arthur	Registrar in Insolvency, and Accountant	51
Henson George Robert	Railway Station-master, Petersham	105
Hepworth Frederick	Assistant Land Agent, Singleton	89
Herald Edmund	Traffic Inspector, Railway Branch, Newcastle	105
Herbert Michael	Surveyor, Railway Department	104
Herbert William C.	Sheep Director, Cooma	98
Herborn E.	Mining Surveyor	95
Herring Gerard Edgar	Chief Clerk, Department of Mines	92
Herring Hy. Charles	3rd Class Draftsman, Survey Office	86
Hetherington W. C.	Sheep Director, Maitland	99
Hewitt Thomas Edward	Instrument-maker, Sydney Observatory	65
Heywood Edward Offord	Senior Clerk and Melter, Branch Royal Mint, Sydney	18
Hezlett Arthur	Cadet, Department of Harbours and Rivers	110
Hicks Lucy H.	Matron, Immigration Depot	30
	Matron, Asylum for the Infirm and Destitute, Hyde Park	37
Hicks W.	Warden's Clerk, Wilson's Downfall	93
Hicks David Seth	Inspector of Schools, Braidwood District	63
Hiddilston Hugh Charles S.	Clerk, Registrar General's Office	21
Higgerson John	Caretaker, Bottle Forest Reserve	97
Higgins J. J.	Mining Surveyor	95
Higgins John	Construction Overseer, Electric Telegraphs	131-132
Higgins J.	Sheep Director, Port Stephens	100
Higgs John	Traffic Manager, Newcastle	105
Higgs C.	Bailiff of Warden's Court, Carcoar	94
Higgs James	Railway Station-master, Parramatta Junction	105
Higgs Edward	Traffic Inspector, Railway Department	105
Higman William H.	Road Superintendent	108
Hiles Thomas	Clerk, Roads Department	107
Hill Francis William	Superintendent, Money Order Office	120
	Controller, Government Savings' Bank	132
Hill Edward Smith	Trustee, Australian Museum	64
	Member of Sydney International Exhibition Commission	47
	Member of Paris Universal Exhibition Commission	46
Hill James	Adjutant, 1st Regiment N. S. W. Volunteer Infantry	39
Hill John Joseph	18th Clerk, Customs, Sydney	71
Hill David	First Clerk, Shipping Master's Office, Sydney	76
Hill Edward A.	Clerk, Stores Department	74
Hill Richard	Sheep Director, Sydney	100
Hill George Lynch	Sub-Collector of Customs, Maryland	74
Hill John James	Vaccinator, Lambton and New Lambton	32
Hill William	Second Foreman of Coining Department, Branch Royal Mint	18
Hillier John Briggs	Captain, South Sydney Volunteer Rifles	42
Hilton Henry	District Registrar of Births, Deaths, &c., Tumut	22
Hinchcliffe Thomas Cooper	Temporary Clerk, Office of Chief Inspector of Sheep	97
Hinchy James J.	Clerk, afterwards Principal Book-keeper, Treasury	71-70
Hinde Oliver W.	Junior Operator, Telegraph Station, Braidwood, afterwards Station-master, Candelo	124-125
Hinder Edward Robert	Schoolmaster, Protestant Orphan School, Parramatta	63
Hindmarsh W.	Sheep Director, Berrima	98

Names of Officers.	Office.	Page.
Hindmarsh Walter	Sheep Inspector, Grafton	97
Hinton Alfred	Clerk and Accountant, Marine Board	77
	Clerk and Accountant, Naval Brigade	45
Hipsley Richard H.	Station-master, Electric Telegraph Branch, Tenterfield.....	129
Histon Maurice	Telegraph Line Repairer, Armidale	124
Hitchins Edward Lytton...	Clerk, Council of Education Office	62
Hixson Francis (R.N.) ...	Captain Commanding Naval Brigade	45
	Commissioner of Defence from Foreign Aggression.....	37
	Member of the Board for Inspecting and Maintaining the Supply of Colonial Warlike Stores.	79
	President of the Marine Board	77
Hixson Francis W.	Cadet, Naval Brigade	45
Hoadley Henry	Telegraph Operator, Seal Rocks.....	129
	Superintendent of Light-ship "Bramble"	78
	Superintendent of Light-house, Seal Rocks	78
Hoadley Elizabeth M.	Telegraph Operator, Seal Rocks.....	129
Hodgson Rev. Evelyn G. (M.A.)	Vice-Warden, St. Paul's College.....	137
Hoey James	Superintendent of Works, Department of Harbours, &c.	110
Hogan Patrick Joseph.....	2nd Class Draftsman, Surveyor General's Office.....	85
Hogan Arthur	Bailiff of Warden's Court, Little River	94
Hogg Charles Edward.....	Surveyor, Railway Department.....	104
Hogg Thomas	Vaccinator, Sydney.....	31
Holahan William J.....	Operator, Electric Telegraph Station, Albury.....	124
Holborow William Hillier	Commanding 3rd Regiment Volunteer Infantry	41
Holding James R.	Junior Operator, Wentworth.....	130
Holdsworth Philip Joseph	First Clerk, Revenue Branch, Treasury	70
Hole George Gay	Clerk, Audit Office	23
Hole Samuel	Sheep Director, Coonabarabran	98
Holland Rev. Edward	Presbyterian Minister, Port Macquarie	136
Holle J.	Under Gardener, University of Sydney	136
Hollingworth Nathan.....	Reader, Government Printing Office	75
Holloway J.	Sheep Director, Naranderra	99
Holmes Henry W. R.....	Clerk, General Post Office	117
Holmes William	Brigade Clerk, Permanent and Volunteer Military Forces	39
Holmes William	Clerk, Roads Department	107
Holroyd Arthur Todd.....	President of the Court of Claims	89
	Master in Equity.....	50
Holt A. W.	Sheep Director, Goulburn	99
Holt Hugh W. L.	Railway Station-master, Waratah.....	106
Holt Thomas	Member of Paris Universal Exhibition Commission	46
Home John H.	Temporary Draftsman, Roads Department	107
Honey Thomas	1st Lieutenant, Kiama Volunteer Infantry	43
Hookins Charles	Inspector of Schools, Sydney District	63
Hooper W. H.	District Registrar of Births, Deaths, &c., Deniliquin.....	21
Hope W. E.	Clerk, General Post Office, afterwards Official Postmaster, Wagga Wagga.	116-119
Hopkins Edmund Conroy	Clerk, Registrar General's Office	20-21
Hore H. R.	Clerk, Lands Department	82
Horn Charles	Railway Station-master, Junee	105
Hornby Stanley	Assistant Draftsman, Department of Harbours and Rivers	110
Hornidge Marmaduke Ar- thur	Railway Station-master, Bathurst.....	105
Horniman Alexander	4th Clerk, Metropolitan and Hunter District Court Office	52
Horton Rev. Thomas	Minister of the Church of England, Sutton Forest, Berrima.....	134
Horton Theodore	Clerk, Lands Department	83
Hosier Frederick	Reader, Government Printing Office.....	75
Hosking George U.	Station-master, Electric Telegraph Department, Carcoar	125
Hoskins James.....	Secretary for Lands.....	82
Hoskisson Alfred J.....	Telegraph Station-master, Cundletown.....	126
Hotson John B.	Surveyor, Railway Department.....	104
Houghton Victor T.....	Surveyor, Railway Department.....	104
Houison Andrew	Secretary to the Medical Board	31
Houslar Robert	Pilot, Wollongong	79
Houston William.....	1st Class Draftsman, Survey Office	85
	2nd Lieutenant, Volunteer Artillery	39
Howard Michael	Telegraph Operator, Sydney	121
Howe Patrick J.	Telegraph Station-master, Jerry's Plains.....	127
Howell David	13th Landing-waiter, Customs, Sydney	72
Howitt Adam	Engineer and Master of the Steam Dredge "Pluto"	113
Hoy T. D.	Pilot in Charge of Moorings, Shell Harbour	79
Hoyle John Walker.....	Surveyor, Railway Department.....	104
Huffer John	Inspector of Schools, Grafton District.....	63
Hughan Oscar	Telegraph Line Repairer, Bourke.....	124
Hulbert Rev. Daniel P.M.	Minister of the Church of England, Collector, Yass	135
Hulme Francis W.	Operator, afterwards Clerk, Electric Telegraph Department	121
Humphreys W.	Clerk, Traffic Audit Branch, Railways.....	106
Hungerford Rev. Septimus	Minister of the Church of England, Armidale	135
Hunt William Henry	Official Postmaster, Haymarket.....	118
Hunt William Augustus...	Officer of Customs, Howlong.....	73
Hunt Robert	Deputy Master of the Branch Royal Mint	18
Hunt William Russell.....	Agreements Validating Officer, Adelaide (South Australia)	143
Hunt Vere	Clerk, Executive Council Office.....	14
	Clerk, Lands Office	84
Hunt John J.	Operator, Electric Telegraph Department	121
Hunter Archibald	Telegraph Station-master, Ballina	124
Hunter F. V.	Mining Surveyor.....	95
Hunter Peter	Assistant Engineer, Surveyor, Inspector and Examiner, Marine Board.	77

INDEX.

xxxiii

Names of Officers.	Office.	Page.
Huntley William Albert...	Vaccinator, Inverell.....	32
Huntley Frederick	6th Locker, Customs, Sydney	72
Hurley Francis G.	Cadet, Roads Department	107
Hurst Rev. G.	Minister of the Wesleyan Methodist Church, Sydney	136
Husband W.	Clerk, Treasury	70
Husing Minnie E.	Junior Operator, Miller's Point.....	123
Hussey John Garda.....	Gaoler, Parramatta	26
Hutchison Alex. Rankin...	Vaccinator, Port Stephens	32
	Government Medical Officer, Port Stephens	34
Huthnance James	Printer, Ticket Printing Branch, Government Printing Office.....	75
Hutton R.	Warden's Clerk, Cargo	93
Hyndman R. A.	Mining Surveyor	95
I		
Icely Thomas Rothery ...	Sheep Director, Carcoar.....	98
Icely Charles.....	Sheep Director, Molong.....	99
Ikin Henry	7th Locker, Customs, Sydney.....	72
Ingham T. L.	Sheep Director, Coonabarabran.....	98
Inglis James Tweedie.....	Lithographic Printer, Survey Office	86
Inglis James.....	Vaccinator and Medical Officer, Raymond Terrace.....	32-34
Innes Sir Joseph Geo. Long	Chairman of Committees of the Legislative Council	14
	President of Royal Commission to inquire into general management and discipline of Berrima Gaol.	47
Innes Daniel.....	Junior Telegraph Operator, Goulburn, afterwards Telegraph Station-master, Nimitybelle.	126-128
Iredale Lancelot P.	Record Clerk, Railway Department	102
Iredale Robert R.	Clerk, General Post Office	116
Ireland Charles George ...	Draftsman, Triangulation Staff, Survey Office.....	87
	3rd Class Draftsman, Survey Office	85
Inrside Frederick James..	Reader, Government Printing Office	75
Irving David Williamson..	Police Magistrate, Tamworth.....	59
	Warden, Mining Department.....	93
	Coroner, Tamworth.....	55
Irving J. C.	Sheep Director, Picton	99
Irwin Senior Constable J.	Mining Registrar, Gundaroo	94
Isaacs Francis Sheriff	Clerk of Petty Sessions, Mudgee	58
	District Registrar of Births Deaths, &c., Mudgee	22
	Registrar of District Court, Mudgee.....	53
	Crown Lands Agent, Mudgee	88
	Warden's Clerk, Mudgee	93
Ivimy Thomas Goldson ...	Government Medical Officer, Dowling.....	34
	Vaccinator, Ulladulla	33
J		
Jack Andrew William.....	Sea Pilot, Sydney	78
Jackson F. J.	Sub-Lieutenant, Naval Brigade.....	45
Jackson Adam A.	Surveyor and Draftsman, Railway Department	102
Jackson John Benyon.....	1st Clerk to Crown Solicitor	68
Jacob Hamilton	Clerk, General Post Office	117
	Cadet, Naval Brigade	45
Jacob Albert	Cadet, Department of Harbours and River Navigation.....	111
Jager Joseph	Assistant Inspector, Glebe Island Abattoir	79
James Henry A.	Draftsman, Department of Mines	92
James John	Assistant District Registrar of Births, Deaths, &c., Adelong	22
Jamieson John James.....	Assistant Draftsman, Railway Department (Engineer-in-Chief's Branch.)	103
Jamieson George	District Engineer, Railway Department	104
Jamison Thomas Cains ...	Inspector of Sugar Refineries	74
Jaques Theodore James ...	Major, 2nd Regiment, Volunteer Infantry	40
Jaques Arthur Theodore...	Draftsman, Department of Mines	92
Jardine J. T.	Sheep Director, Grafton	99
Jeanneret Henry Stanley...	Clerk, Registrar General's Office	21
Jefferson Henry	Telegraph Station-master, Jerilderie	127
Jenkins R. L.	Sheep Director, Picton	100
	Member of Sydney International Exhibition Commission.....	47
Jenkins Frank	Sheep Director, Naranderra	99
Jenkins William	Operator, Electric Telegraph Department	122
Jenkins Benjamin	Member of Marine Board	77
Jennings Patrick Alfred ...	Member of Paris Universal Exhibition Commission	46
	Executive Commissioner of Sydney International Exhibition	47
Jennings W. E.	Field Assistant (Geological Survey), Mining Department	92
Jervois R. D. D.	Construction Overseer of Electric Telegraphs.....	131
Job G. E.	Bailiff, Warden's Court, Forbes	94
Jockel Louis Conrad	Vaccinator, Windsor	33
	Government Medical Officer, Windsor.....	34
Johnson Alexander	1st Class Draftsman, Surveyor General's Office	85
Johnson J.	Shipwright Surveyor, Shoalhaven.....	77
Johnson Charles	Vaccinator and Medical Officer, Penrith	32-34
Johnson C. B.	Clerk, Lands Office	82
Johnson Frank	2nd Railway Station-master, Sydney	104
Johnson Rev. J. H.	Minister of the Church of England, Glen Innes.....	135
Johnson William C.	Official Postmaster, Yass, afterwards Goulburn	119
Johnson Edwin	Inspector of Schools, Cumberland District	63

Names of Officers.	Office.	Page.
Johnson William.....	Clerk, Department of Distilleries and Sugar Refineries.....	74
Johnson Richard Nicholas	Clerk, Sheriff's Office	51
Johnson Thomas Hector...	Clerk, Department of Lands	82
Johnson Richard	Shipwright Surveyor and Inspector, Marine Board	77
Johnson Robert S.	Telegraph Station-master, Euston.....	126
Johnson George	Booking Clerk, Electric Telegraph Department.....	121
Johnson Whittingdale ..	Commissioner of Conditional Purchases	83
Johnston Gilbert	Clerk, Government Printing Office	75
Johnston R. P., junior ..	Sheep Director, Yass	100
Johnston William	1st Lieutenant, 1st Regiment Volunteer Infantry	41
Johnston John Wood	Clerk and Schoolmaster, Gaol, Bathurst	27
Johnston James Bligh ..	Coroner, Windsor	55
Johnston James	Junior Operator, Braidwood	124
Johnston Samuel Dillon ..	Sub-Inspector of Police	25
Johnstone James	Locker, Inland Bonded Warehouse, Deniliquin	74
Joly Rev. Claudius Maria..	Minister of the Roman Catholic Church, Hunter's Hill	135
Jones Edward	Coroner, Glen Innes	54
Jones Richard Theophilus	Vaccinator, Ashfield, Burwood, and Petersham	31
Jones John Booth	Examiner of Land Titles, Registrar General's Office.....	20
Jones Philip Sydney (M.D.)	Member of the Medical Board	31
Jones T.	Warden's Clerk, Tingha.....	93
	Bailiff, Warden's Court, Tingha	94
Jones Edmund.....	2nd Landing-surveyor, Customs, Sydney	71
	Acting 1st Landing-waiter, Customs, Sydney	71
	Commander, Naval Brigade	45
Jones Thomas	Assistant District Registrar of Births, Deaths, &c., Greta	22
Jones Griffiths Ewan Russell.	Associate to Mr. Justice Hargrave	50
Jones James Aberdeen ..	Vaccinator, Balmain	31
Jones Stephen Wilson.....	Clerk of the Legislative Assembly.....	15
Jones Rees	Sheep Director, Yass	100
Jones James	15th Clerk, Customs	71
Jones Richard	Land Titles Commissioner.....	20
Jones Arthur Bright	Junior Clerk, Council of Education Office	62
Jones John Saunders	Inspector of Schools, Camden District.....	63
Jopp Andrew Abercrombie	Secretary to the Agent General for the Colony, resident in London Agreements Validating Officer, London	45 143
Jordan William John.....	Clerk, Audit Office	23
Joseph M. H.	Sheep Director, Eden	99
Joseph Thomas Morgan ..	Deputy Medical Superintendent, Hospital for the Insane, Gladsville, and Lunatic Asylum, Callen Park	35-36
	Vaccinator, Gladsville	32
Joseph Samuel Aaron	Member of Sydney International Exhibition Commission	47
Josephson Joshua Frey ..	District Court Judge, and Chairman of Quarter Sessions, Western District	53-68
Josephson Joshua Percy..	Surveyor, Department of Harbours and River Navigation	110
Jowett Mary	Sub-Matron, Protestant Orphan School, Parramatta	63
Joyce Patrick	Clerk, Custom House, Albury	73
K		
Kay James	First Foreman of Works, Colonial Architect's Office	109
Keating Rev. Jerome	Minister of the Roman Catholic Church, West Maitland	135
Keating Elijah	14th Clerk, Customs, Sydney	71
Keating John	District Registrar of Births, Deaths, &c., Morpeth	22
Keating John Thomas.....	2nd Class Draftsman, Survey Office.....	85
Keating Rev. Thomas	Roman Catholic Chaplain, Lunatic Asylum, Callan Park	36
Kebby Charles	Station-master, Electric Telegraph Department, Eden	126
Keegan James	Sub-Inspector of Police	25
Keele Dudley	Inspector of Conditional Purchases	83
	Land Appraiser	83
Keele Thomas W.	Surveyor, Department of Harbours, &c.	110
Keele E. J.	Mining Surveyor	96
Keele Charles Hardwick..	Extra Counter Clerk, Registrar General's Department (Land Titles Branch)	21
Keighran John Austin.....	Sheep Inspector, Hay	97
Keightley Hy. M'Crummin	Police Magistrate, Wellington, afterwards Moruya.....	60-58
	Coroner, Moruya.....	55
Kelf Joseph	Telegraph Station-master, Singleton.....	129
Kelleher Mary P.	Infant Teacher, Roman Catholic Orphan School, Parramatta	63
Kellett Charles Henry.....	Official Postmaster, Penrith	119
Kellick George.....	Chief Clerk and Cashier, Government Printing Office.....	75
Kelly John A.	Telegraph Station-master, Tarcutta	129
Kelly H. H.	Sheep Director, Coonabarabran	98
Kelly Michael H.	Telegraph Station-master, Queanbeyan.....	129
Kelly Henry Kennedy.....	Junior Clerk, Branch Royal Mint, Sydney	18
Kelly Margaret	Teacher in the Industrial School for Girls	24
Kelly Richard	4th Clerk, Customs, Sydney	71
Kelly Charles	2nd Locker, Customs, Sydney	72
Kelly Alfred W.	Operator, Telegraph Station, West Maitland	127
Kelynack Rev. W.	Minister of the Wesleyan Methodist Church, Bathurst.....	136
Kemmis Rev. Thomas.....	Minister of the Church of England, Yass	134
Kemp William E.	Cadet, Department of Harbours and Rivers	110
Kemp Rev. Frederick R....	Minister of the Church of England, Port Macquarie.....	135
Kemp William E.	Clerk of Works, Colonial Architect's Office.....	108
Kenane Daniel R.....	Telegraph Station-master, Burrowa	125
Kennedy Arthur H.	Crown Lands Agent, Bathurst	87
Kennedy J.	Engineer Surveyor, Manning River	77

INDEX.

XXXV

Names of Officers.	Office.	Page.
Kennedy Arthur M.	Junior Telegraph Operator, Balranald.....	124
Kennedy John	Sheep Inspector, Coonabarabran	97
Kennedy John	Assistant Officer of Customs, Moama	73
Kennedy Thomas.....	Surveyor, Railway Department	104
Kennedy Hugh	Registrar and Assistant Professor of Classics, University of Sydney	136
Kenny James W.	Clerk, General Post Office	117
Kenny John	Clerk of Petty Sessions, Branxton.....	57
Kenny Rev. John.....	Minister of the Roman Catholic Church, Maitland East	135
Kenny Michael J.	Operator, Head Office, afterwards Junior Operator, Goulburn.....	122-126
Kenyon John Frederic	Clerk of Petty Sessions, Gunning	58
	Crown Lands Agent, Gunning	88
	Warden's Clerk, Gunning	93
	Assistant District Registrar of Births, Deaths, &c., Gunning.....	22
Keohan William	Assistant Official Postmaster, Albury, afterwards Deniliquin	119
Keon George Plunkett	Sub-Collector of Customs, Eden	73
	Health Officer, Twofold Bay	76
	Police Magistrate, Eden	57
Keon Ferdinand J.	Inspector of Sheep, District of Cooma	97
Kermode Samuel.....	District Registrar of Births, Deaths, &c., Nundle	22
	Caretaker of Nundle Forest Reserve.....	97
	Warden's Clerk, Nundle.....	93
Kerrigan Thomas.....	Sub-Inspector of Police	25
Kessell John.....	Assistant Instrument Fitter, Electric Telegraph Department	122
Kevin John William	Assistant Training Master, Council of Education	63
Kibble George A. F.	Operator, Telegraph Station, Denman	126
Kilby Henry G.	Clerk, Government Savings Bank	132
Kilminster George	Clerk, Council of Education Office	62
King Frederic	Manager, Government Asylums for the Infirm and Destitute	37
	Manager, Erysipelas Hospital, Parramatta	47
King Johnson George.....	Commissioner of Conditional Purchases	83
King Dixon	2nd Lieutenant, Kiama Volunteer Infantry.....	43
King Thomas	Telegraph Station-master, Coolah	125
King Rev. George	Minister of the Church of England, Sydney (Cook's River).....	134
King Edward J.	Draftsman, Department of Mines	92
King Agnes	Matron of the Reformatory for Girls	24
King Mark	Assistant Officer of Customs, Wentworth.....	73
King J. L.	Land Agent, Narrandera	88
	Assistant District Registrar of Births, Deaths, &c., Narrandera.....	22
	Clerk of Petty Sessions, Narrandera	59
King Philip Gidley.....	Member of Sydney International Exhibition Commission.....	47
King P. G.	Sheep Director, Tamworth	100
King Rev. Robert L. (B.A.)	Minister of the Church of England, Parramatta	134
King John	Sheep Director, Wagga Wagga	100
King Rev. Hulton S.	Minister of the Church of England, Surry Hills, Sydney	134
King George Hulton Smythe.	Junior Assistant Draftsman, Registrar General's Office (Land Titles Branch).....	21
King W. T.	Bailiff, Warden's Court, Trunkey.....	94
Kingdon Frederick H.	Vaccinator, St. Leonards (North Shore)	31
Kingsbury James.....	Examiner of Accounts, Department of Harbours, &c.....	109
Kingsford Edward St. A.	Pilot, Port Macquarie	79
	Junior Telegraph Operator, Port Macquarie Heads	129
	Shipwright Surveyor, Port Macquarie	77
Kingsmill Luke	Telegraph Station-master, Tabulam, afterwards Glen Innes, afterwards Coonamble	129-126
	Cadet, Council of Education Office	125
Kinninmont Thomas	Principal of St. Andrew's College	62
Kinross Rev. John, B.A.	1st Lieutenant, Volunteer Artillery	137
Kirchner Edward	1st Lieutenant, Volunteer Artillery	39
Kirkaldy James	Inspector of Public Revenue Collectors' Accounts	39
Kirkpatrick Francis	Inspector of Public Revenue Collectors' Accounts	70
Kirkwood David S.	Engineer and Master of Steam Dredge "Archimedes"	114
	Engineer Surveyor, Newcastle	77
Kirwan John	Station-master, Electric Telegraph Branch, Cooma	125
Kirwan King H.	Vaccinator, Broulee.....	31
Kline Henry.....	Telegraph Line Repairer, Young	131
Kloster August	Overseer, Government Domains	89
Kloster William Frederic	Junior Assistant Draftsman, Registrar General's Office	21
Knaggs Samuel T.	Assistant Surgeon, Naval Brigade	45
	Vaccinator, Newcastle	32
Knapp Edward T. Howes	Mining Surveyor, Braidwood.....	94
Knight Augustus E. E.	Telegraph Station-master, Menindie.....	128
Knight Frederick W.	Booking Clerk, Electric Telegraph Department	121
Knott Minnie L.	Official Postmistress, Glebe	118
	Junior Telegraph Operator, Glebe	123
Knowles William Bissett	Vaccinator and Medical Officer, Murrurundi	32-34
Knox Edward	Member of Paris Universal Exhibition Commission	46
Knox James T.	Telegraph Station-master, Robertson	129
Kopsch Gustave A.	Instrument Fitter, Electric Telegraph Department	122
	1st Lieutenant, Torpedo and Signalling Corps	44
Kopff F. D. A.	Crown Lands Agent, Wagga Wagga	88
Kyle William J. L.	Telegraph Station-master, Brushgrove.....	125
L		
Labatt Edward	Assistant Draftsman, Department of Harbours and Rivers	110
Labertouche George Evans	Paymaster, Imperial Pension Office	79
Lackey John.....	Secretary for Public Works	102
	Sheep Director, Sydney	100

Names of Officers.	Office.	Page.
Lackey John Percival	Clerk and Schoolmaster, Gaol, Berrima, afterwards Maitland Gaol	27
Lackey John George	Clerk in Charge of Trustee Roads.....	107
Lackey Major	Clerk, Lands Department	83
Lackey William	Railway Station-master, Yass	105
Lackey Thomas W.....	Clerk to Assistant Engineer, Moruya River, Department of Harbours and River Navigation.	110
Laing John G.....	Draftsman, Department of Harbours, &c.	110
Laing John Barbour	Secretary and Shorthand Writer to Royal Commission to inquire into General Management, &c., of Berrima Gaol.	47
Laing John	Engineer and Master of Steam Dredge "Samson"	111
Laman Thomas	Clerk of Petty Sessions, Stroud.....	59
	District Registrar of Births, Deaths, &c., Port Stephens	22
	Mining Registrar, Stroud	94
	Agent for the Sale of Crown Lands, Stroud, Port Stephens	88
	Officer of Customs, Port Stephens	73
Lamb William	Vaccinator and Medical Officer, Walgett	33-34
Lambert George Proud (M.D.)	Vaccinator and Medical Officer, Berrima	31-34
	Visiting Surgeon and Dispenser, Berrima Gaol	33
Lambert James	Junior Telegraph Operator, Tamworth	129
Lambert Robert	Superintendent of Light Ship "Bramble"	78
Lambton Stephen Harbord	Secretary, General Post Office, Sydney.....	116
Lamrock William	Sheep Director, Windsor.....	100
Lamy Theodore	Telegraph Station-master, Rocky Mouth	129
Lander Jonas	Clerk to Examiners of Titles, Registrar General's Office	20
	Custodian of Wills, Supreme Court Office	50
Landers Albert Ney	Clerk, General Post Office	117
Landers John Frederick	Chief Clerk and Accountant, Surveyor General's Office.....	86
Landers George	Clerk, Railway Department	103
Landers Edwin Canrobert	Clerk, Occupation of Lands Department	96
Landers Thomas S.	Ticket Clerk, Railway Department	102
Lane John Tom	Police Magistrate, Orange	59
	Warden, Mining Department	93
Lane Nicholas O.....	Ticket Clerk, Railway Office	102
Lang Rev. John Dunmore (D.D.)	Trustee, Free Public Library	64
Langford Mrs. H. M.	Warden's Clerk, Tumberumba	93
Langham William John	Inspector of Oyster-beds	89
Langley Fergus N.	Ticket Clerk, Railway Department	102
Langley George (J.P.) ...	Clerk of Petty Sessions, Parramatta.....	59
	Agent for the Sale of Crown Lands, Parramatta.....	88
	Registrar of the District Court, Parramatta	52
	Visiting Justice, Gaol, Parramatta	26
Langmore Arthur G.	Sheep Director, Brewarrina	98
Langmore Arthur Grainger	Coroner, Gongolgon	54
Langstaff Francis G.	Clerk, General Post Office	117
Langstaff Robert William	2nd Class Draftsman, Survey Office	85
	Mining Surveyor	95
Lanigan Rev. William ...	Minister of the Roman Catholic Church, Berrima.....	135
Lankester John Delappé	4th Landing-waiter, Customs, Sydney.....	72
Lardner Alfred	Coroner, Grafton.....	55
Lardner F. T.	Mining Surveyor, Moulamein and Woorooma Station	95-96
Larkin Edward	Sheep Director, Picton	100
Larnach Donald	Representative Commissioner, Paris Universal Exhibition	46
Lassen Frederick	Operator, Telegraph Branch, Yass	131
Laughton Rev. J. B.	Presbyterian Minister, Bathurst	136
Laurie A. T.	Sheep Director, Port Stephens	100
Laurie J. P. D.	Sheep Director, Balranald	98
Laurie A.	Sheep Director, Port Stephens	100
Law Alexander	Clerk, Audit Office	23
Lawless William J.	Telegraph Station-master, Boggabri.....	124
Lawrence John	Clerk to Harbour Master, Sydney.....	77
	Telegraph Operator, Port Office	79
Layard Louis Frederick ...	Registrar of the District Court, Bourke	54
	District Registrar of Births, Deaths, &c., Bourke	21
	Clerk of Petty Sessions, Bourke	56
	Agent for the Sale of Crown Lands, Bourke	87
Laycock John Henry	Assistant Computer, Survey Office	87
Leach Edward	Clerk, Audit Branch, Railway Department.....	106
Leahy Thomas William ...	8th Clerk, Colonial Secretary's Office	20
Leary Joseph	Minister of Justice and Public Instruction	50
Ledsam William G.	Assistant Official Postmaster, Goulburn, afterwards Wagga Wagga	119-120
Lee Joseph	Assistant Postmaster, Newcastle	120
	Official Postmaster, Miller's Point.....	118
Lee Edward	Crown Prosecutor, Metropolitan and Hunter District (other places than Sydney).	68
Lee H. W.	Pilot in Charge of Moorings, Gerringong	79
Lee Isaac	Water Bailiff and Inspector, Marine Board	77
Lee William T.	Telegraph Station-master, Cassilis	125
Lee Benjamin	Visiting Justice, Gaol, Bathurst	27
	Police Magistrate, Bathurst	56
Lee Sydney A.	Temporary Draftsman, Department of Mines.....	92
Lee John James	2nd Clerk, Crown Solicitor's Office	68
Lees Joseph Whitehead ...	Coroner, Tambaroora	55
Leeson Edward	Telegraph Station-master, Nambucca.....	128
Leggatt William Alfred	Clerk, Audit Office	23
Leggett Alfred	Draftsman, Railway Department	103
Leibius Adolph	Senior Assayer, Branch Royal Mint, Sydney	18
Lenehan Henry Alfred ...	Astronomical Assistant, Sydney Observatory.....	65
Lenehan William	Railway Station-master, Mulgrave	105

INDEX.

xxxvii

Names of Officers.	Office.	Page.
Lennox William	Lieutenant, Penrith Volunteer Rifles	43
Lentzner Carl	Master of Modern Languages, Sydney Grammar School	137
Leonard Rev. Thos. Stephen	Acting Roman Catholic Chaplain to Permanent Military Forces	38
Leonard J.	Pilot, Camden Haven	79
Le Petourel Henry	Lieutenant, New South Wales Artillery	38
Le Petourel Arthur	Lieutenant, New South Wales Artillery	38
Lesley W. A.	Clerk, Treasury	70
Leslie Peter	Sheep Director, Pilliga	100
Lethbridge John King	Sheep Director, Windsor	100
	Coroner, Penrith	55
Lethbridge G. H.	Bailiff, Warden's Court, Albury	94
Lett Charles Arthur Walker	Captain (Supernumerary), Volunteer Artillery	38
Levick B. G.	Clerk, Executive Council Office	14
Levinge Frederick Clinton	Clerk, Government Printing Office	75
	Clerk, Treasury	71
Levy Samuel	5th Landing-waiter, Customs, Sydney	72
Lewington Alfred	Lieutenant, Naval Brigade	45
Lewis George	1st Class Draftsman, Surveyor General's Office	85
Lewis William H.	Line Repairer, Telegraph Station, Forbes	126
Lewis Mortimer William, junior.	Clerk of Works, Colonial Architect's Department	108
Lewis Thomas	Inspector of Collieries	92
Lewis Wilfred de Courey	Assistant Draftsman, Registrar General's Office (Land Titles Branch)	21
Lewis Samuel W.	Junior Telegraph Operator, Bathurst	124
Lewis Eugene	Ticket Clerk, Railway Office	102
Lewis Thomas Harvie	1st Class Draftsman, Surveyor General's Office	85
Lewton Joseph	Inspector of Way and Works, Great Southern, Western, and Richmond Railways	103
Likely Charles W.	Operator, Electric Telegraph Branch, Albury, afterwards Head Office	124-122
Limmex John	Examiner in Navigation and Pilotage, Marine Board	77
Lindeman Sydney Alfred	Clerk in Charge of Printed Papers, Legislative Assembly	15
Lindeman George Sydney	Secretary to the Marine Board	77
Linsley William Farmer	Captain, 3rd Regiment Volunteer Infantry	42
Linton Thomas	District Registrar of Births, Deaths, &c., Moulamein	22
Lipscombe W. A.	Mining Surveyor	96
Lisle A.	Mining Surveyor, Forbes	95
Litchfield Henry	Telegraph Station-master, Fernmount	126
Litchfield Charles W.	Sheep Inspector, Menindie	97
Little Charles	Railway Station-master, Bowning	105
Little William	Chief Attendant, Lunatic Asylum, Callen Park	36
Little George Lynn	Clerk, General Post Office	116
Littleton Hon. Henry Stuart.	Private Secretary to His Excellency the Governor	14
Liversidge Archibald	Professor of Geology, Sydney University	136
	Member of Paris Universal Exhibition Commission and Representative Commissioner	46
Llewellyn William Norman	Trustee, Australian Museum	64
Llewellyn Rees	Chief Clerk, Customs, Sydney	71
	Vaccinator, Araluen and Braidwood	31
	Government Medical Officer, Braidwood	34
	Visiting Surgeon, Gaol, Braidwood	33
Llewelyn Ernest H.	Clerk, Shipping Master's Office, Sydney	76
Lloyd Arthur Welsford	Clerk, Office of Agent General for the Colony	45
Lloyd Arthur Lewingdon	Draftsman, Triangulation Staff, Survey Office	87
Lloyd Arthur Tidman	12th Locker, Customs, Sydney	72
Lloyd Edwin	Clerk, General Post Office, afterwards Postmaster, East Maitland	116-119
Lloyd Charles M.	Sheep Director, Urana	100
Lloyd William F.	Clerk and Storekeeper, Fitz Roy Dry Dock	114
Lobsey George	Telegraph Line Repairer, Forbes	126
Locke John T.	Clerk, Lands Department	84
Lockhart Charles George Norman.	Commissioner of Crown Lands, Darling District	96
Lockyer Henry R.	Telegraph Station-master, Wickham	131
Lockyer Nicholas	Clerk, Treasury	70
Loder George	Sheep Director, Singleton and Pilliga	100
Loder G.	Mining Surveyor	96
Loder George Thomas	Captain, Singleton Volunteer Rifles	41
Loffler Henrich	Agreements Validating Officer, Bremen	143
Logan William R.	Sub-Collector of Customs, Newcastle	73
Logan Arthur Charles	Cadet, Naval Brigade	50
Lomax A. B.	Sheep Director, Narrabri	99
Lonergan William C.	4th Clerk (Acting), Supreme Court Office	50
Loney Gore Willock	Assistant Pay and Quarter Master's Clerk, Military Department	39
Long George	2nd Class Draftsman, Survey Office	85
	1st Class Draftsman, Survey Office	85
Long Mark Henry	Member of Board of Pharmacy	80
Long William	District Registrar of Births, Deaths, &c., Liverpool	22
Longfield William Fredk.	Captain, 2nd Regiment Volunteer Infantry	41
Lord Charles S.	Cadet, Naval Brigade	45
Lord Herbert	Cadet, Roads Department	107
Lord Robert C.	Inspector of Conditional Purchases	83
Lorking Walter A.	Electric Telegraph Station-master, Parkes	128
Lott Henry A.	Junior Telegraph Operator, Glen Innes, afterwards Station-master, Tabulam	126-129
Louche John H.	Crown Lands Agent, Corowa	87
	Mining Registrar, Corowa	93
Loughnan George C.	Sheep Director, Booligal	98

Names of Officers.	Office.	Page.
Love William	Police Magistrate, Gundagai	58
Love Milton Sydney	Registrar of Births, Deaths, &c., Walcha	21
	Clerk of Petty Sessions, Walcha	60
	Crown Lands Agent, Walcha	88
	Warden's Clerk, Walcha	93
Love A. W.	Mining Surveyor	95
Lovegrove William	Clerk of Petty Sessions, Shoalhaven	59
	District Registrar of Births, Deaths, &c., Shoalhaven	22
	Agent for Sale of Crown Lands, Shoalhaven	88
	Registrar of the District Court, Nowra	52
	Officer of Customs, Shoalhaven	73
	Warden's Clerk, Nowra	93
Loveridge W.	Bailiff of Warden's Court, Tumberumba	94
Low Hamilton L.	16th Locker, Customs, Sydney	72
Lowe Charles Bruce	Sheep Inspector, Glen Innes	97
Lowes Robert	Sheep Inspector, Corowa	97
Loxton J. F.	Mining Surveyor	95
Loxton C. C.	Mining Surveyor, Bingera	94
Lublin Henry P.	Telegraph Operator, Head Office	122
Lucas Percy Charles	Clerk of Petty Sessions, Water Police Office, Sydney	56
Lucas John	Member of Paris Universal Exhibition Commission	46
Lucas J. H.	Mining Surveyor	96
Lucas John Alfred	1st Clerk, District Court Office, Sydney	52
Luekie Rev. Eugene	Minister of the Roman Catholic Church, Bungonia	135
Luff J.	Mining Surveyor, Cargo	95
Lumsdaine Rev. William	Minister of the Church of England, Ashfield, Sydney	134
Lumsdaine Edwin B. F.	Clerk, Money Order Office	120
	Ledger-keeper, Government Savings' Bank	132
Lumsdaine Henry	Chief Inspector of Distilleries and Sugar Refineries	74
Lumsdaine Alexander	Clerk of Petty Sessions, Newcastle	59
	Crown Lands Agent, Newcastle	88
Lydiard Charles, J.P.	Superintendent of Police	24
Lynch Rev. John Thomas	Minister of the Roman Catholic Church, Armidale	135
Lynch Marcus	Operator, Telegraph Station, Mudgee	128
Lynch John Stephen	Publisher, Government Printing Office	75
Lynch Thomas J.	Assistant Postmaster, Mudgee, afterwards Goulburn	120
Lyne William J.	Sheep Director, Albury	98
Lyons William	Vaccinator, Dapto and Wollongong	31-33
	Government Medical Officer, Wollongong	34
M		
M'Alroy Rev. Michael	Roman Catholic Chaplain, Gaol, Albury	28
	Minister of the Roman Catholic Church, Goulburn	135
M'Aulay James	Sheep Director, Braidwood	98
M'Bean John	Sheep Director, Yass	100
M'Bride Patrick	Foreman of Magazine, Ordnance, and Barrack Department	76
M'Cabe James	Cadet, Department of Harbours and Rivers	110
M'Call David Robert	Clerk, Office of Inspector General of Police	24
M'Cann William Lake	Clerk, Council of Education Office	62
M'Carthy Rev. Timothy	Honorary Chaplain, Volunteer Military Forces	40
	Minister of the Roman Catholic Church, Carcoar	135
M'Carthy James	Officer of Customs, Bateman's Bay	73
M'Carthy Eugene	Booking Clerk, Electric Telegraph Department	121
M'Carthy John	Telegraph Line Repairer, Murrurundi	128
M'Carthy John George	Agreements Validating Officer, Cork (Ireland)	143
M'Carthy Herbert	Sheep Director, Tamworth	100
M'Carthy Edward	Telegraph Line Repairer, Pilliga	129
M'Carthy Rev. Callaghan	Minister of the Roman Catholic Church, Mudgee	135
M'Cartney Edward	Sheep Director, Hume	99
M'Cauley Thomas George	Clerk, Department of Justice, &c.	50
M'Cauley Samuel	Clerk, Department of Comptroller of Prisons	25
M'Clelland Robert	Assistant Clerk in Charting Branch, Survey Office	86
M'Clelland Thomas H.	Clerk, Railway Department	106
M'Clintock Walter	Clerk, General Post Office	116
M'Closky Alice	Girls' Teacher, Roman Catholic Orphan School, Parramatta	63
M'Clymont Andrew	Sheep Inspector, Wentworth	97
M'Collough Alexander	Sheep Inspector, Deniliquin	97
M'Cormack M. O.	Mining Surveyor	96
M'Crackan John	Clerk of Works, Colonial Architect's Office	108
M'Crackan Andrew	Accountant, Electric Telegraph Department	121
M'Cutchie John	Inspector of Schools, Sydney District	63
M'Cutecheon John Warner	Assayer, Branch Royal Mint, Sydney	18
	2nd Lieutenant, 1st Regiment Volunteer Infantry	42
M'Cutecheon James W.	Junior Operator, Bombala	124
M'Dermott William Patrick	District Registrar of Births, Deaths, &c, Hartley	22
M'Dermott Michael	Coast-waiter, Botany Bay	73
M'Diarmid Robert Neil	Clerk, Department of Justice, &c.	50
M'Diarmid Charles Angus	Assistant Official Postmaster, Deniliquin	119
M'Donagh Patrick	Surgeon, Volunteer Artillery	39
	Surgeon, Volunteer Military Forces	40
	Vaccinator, City and Suburbs of Sydney	31
M'Donald John	Clerk of Petty Sessions, Tamworth	59
	Agent for Sale of Crown Lands, Tamworth	88
	Registrar of the District Court Tamworth	53
	District Registrar of Births, Deaths, &c., Tamworth	22
M'Donald Hugh	Sheep Director, Warialda	100

INDEX.

XXXIX

Names of Officers.	Office.	Page.
M'Donald William	Clerk, Lands Department	83
M'Donald Robert	1st Class Surveyor	84
	2nd Class Surveyor	84
	Mining Surveyor	95
M'Donald J. M.	Mining Surveyor	95
M'Donald J. M. L.	Sheep Director, Tamworth	100
M'Donald J.	Shipwright Surveyor, Manning River	77
M'Donald John R.	Clerk, Lands Office	83
M'Dougall H. L.	Police Magistrate, Grafton	57
M'Dowall J. C.	Sheep Director, Singleton	100
M'Ewan Rev. Alexander...	Presbyterian Minister, Hinton	136
M'Farland Alfred	District Court Judge, Southern District	52
	Chairman of Quarter Sessions, Southern District	68
M'Farland Andrew	Sheep Director, Hay	98
M'Farland Patrick	Sheep Director, Corowa	98
M'Farlane Robert	Sheep Director, Wentworth	100
M'Farlane E.	Mining Surveyor, Dubbo	95
M'Gauran Duncan J.	Telegraph Station-master, Albury	124
M'George John	Superintendent of the Lunatic Asylum, Cooma	37
M'Gibbon Barker Fawcner	Clerk (Audit Branch), Railway Department	106
M'Gibbon Rev. John	Presbyterian Minister, Woolloomooloo, Sydney	136
M'Gibbon George	Clerk, General Post Office	117
M'Gill Alexander	Ensign, Jamberoo Volunteer Rifles	44
M'Gough Rev. James	Roman Catholic Chaplain, Gaol, Port Macquarie	28
M'Govern William J.	Telegraph Line Repairer, Albury	124
M'Grane John	Telegraph Line Repairer, Kiama	127
M'Grane Patrick	Junior Operator, Queanbeyan	129
M'Grath James	Junior Operator, Telegraph Station, Grafton	126
M'Grath Rev. William	Roman Catholic Chaplain, Gaol, Wagga Wagga	28
M'Gregor William	Pilot, Tweed River	79
M'Guanne Michael Joseph	Cadet, Council of Education Office	62
M'Guanne J. P.	Clerk, Lands Office	84
M'Guickan James J.	Telegraph Operator, Bulli	125
M'Guinn Luke	Clerk of Petty Sessions, Dubbo	57
	Mining Registrar, Dubbo	94
	District Registrar of Births, Deaths, &c., Dubbo	21
	Registrar of the District Court, Dubbo	53
M'Guinn James	Clerk, Lands Office	82
M'Intyre William	Inspector of Schools, Goulburn District	63
M'Ivor James Baird	Sheep Director, Port Macquarie	100
M'Kay Finlay	Bailiff, Government Domains	89
M'Kay Charles	Sheep Director, Sydney	100
M'Kay George Alexander	Supernumerary Draftsman, Survey Office	86
M'Kay Charles (M.D.) ...	Member of the Medical Board	31
M'Kay Donald	Clerk of Petty Sessions, Waratah	60
M'Kay John	Clerk (Audit Branch), Railway Department	106
M'Keachie Alexander	Sheep Director, Eden	99
M'Kell Thomas Chas. Kerr	Registrar of the District Court Bathurst	53
M'Kell C. K.	Assistant Clerk of Petty Sessions, Bathurst	56
M'Kellar Charles Kinnaird	Surgeon, 2nd Regiment Volunteer Rifles	44
M'Kenny Edward Wise ...	2nd Clerk, Colonial Secretary's Office	20
M'Kenry Daniel Joseph ...	Sub-Collector of Customs, Wentworth	73
M'Kensey Jim	Junior Clerk, Department of Justice, &c.	50
	Clerk, Water Police Office	56
M'Keown James	Forest Ranger, County of Cumberland	96
M'Kern Charles	Clerk, Treasury	70
M'Kern James	Clerk, Audit Office	23
M'Kern William	Reader, Government Printing Office	75
M'Killop Robert	Vaccinator, Gundagai	32
M'Kinlay Ellar M'Kellar	Government Medical Officer, Dungog	34
	Vaccinator, Dungog	31
M'Kinnon John	Sheep Director, Bathurst	98
M'Koy Thomas	Railway Station-master, Bowenfels	105
M'Koy Thomas	17th Landing-waiter, afterwards 3rd Locker, Customs	72
M'Lachlan Duncan C.	Clerk, Railway Department	102
M'Lachlan Hugh	Clerk, Audit Branch, afterwards Ticket Clerk, Railway Department	106-102
M'Lachlan David	Clerk, Stores Department	74
M'Lachlan John Charles...	Captain, Orange Volunteer Rifles	42
M'Lachlan John	Clerk and Librarian, Botanic Gardens	89
M'Laurin James	Sheep Director, Hume	99
M'Lean Dugald	Junior Operator, La Perouse, afterwards Operator, Chief Office	123-121
M'Lean Robert	3rd Class Draftsman, Survey Office	86
M'Lean James	Coroner, Armidale	54
M'Lean William Henry ...	Examiner of Conditional Purchase Tracings	86
M'Lean John	Porter in Charge, Railway Station, Aberdeen	106
M'Lean William	3rd Class Draftsman, Survey Office	86
M'Lean Archibald	Member of Marine Board	77
M'Lean John Alex. M'Kay	3rd Class Draftsman, Survey Office	86
M'Leod John	Inspector of Sheep, Balranald	97
M'Lerie Thomas Pedder...	4th Clerk, Colonial Secretary's Office	20
M'Mahon John T.	Clerk, General Post Office	116
M'Mahon Mathew	Clerk, Survey Office	87
M'Manus Rowland George	Assistant Official Postmaster, Goulburn	120
M'Martin Finlay	Accountant, Office of Inspector General of Police	24
M'Master Colin James ...	Surveyor, 2nd Class	84
M'Minn Arthur Bruce ...	Draftsman, Occupation of Lands Department	96
M'Mullen John Joseph Ryan	Vaccinator, Hill End	32

Names of Officers.	Office.	Page.
M'Mullen Henry	Assistant Official Postmaster, Albury	119
M'Mullen Thomas	Junior Telegraph Operator, Singleton	129
M'Nab William	Telegraph Station-master, Young	131
M'Nab John	Railway Station-master, Rydal	105
M'Namara Richard	Drill-master Protestant Orphan School, Parramatta	63
M'Namarra John	Sheep Director, Queanbeyan	100
M'Neilly James	Clerk, General Post Office	117
M'Neilly Alexander	Clerk, General Post Office	118
M'Phee William Alexander	Clerk, Occupation of Lands Office	96
M'Pherson A.	Mining Surveyor	95
M'Pherson Ewen	Sheep Director, Hay	99
M'Phillamy Charles	Sheep Director, Bathurst	98
M'Rae Alexander	Clerk of Petty Sessions, Merriwa	58
M'Roberts John J.	Railway Station-master, Binalong	105
M'Shane James	Clerk, afterwards Chief Clerk, Colonial Architect's Office	109
M'Shane Andrew George	Clerk, Audit Office	23
M'Vean Alexander	Sheep Director, Corowa	98
M'Veigh James	Chief Clerk, Stores Department	74
M'William J. F.	Bailiff of Warden's Court, Sofala	94
Macalister James	Clerk, Legislative Assembly	15
Macarthur Frederick Cameron	Clerk of Petty Sessions, Warialda Mining Registrar, Warialda	60 94
	District Registrar of Births, Deaths, &c., Warialda	22
	Crown Lands Agent, Warialda	88
	Registrar of District Court, Warialda	53
Macarthur The Hon. Sir William.	Trustee, Free Public Library	64
	Member of Sydney International Exhibition Commission	47
	Vice-President of Paris Universal Exhibition Commission	46
Macarthur Rev. George Fairfowl.	Chaplain (Honorary), Volunteer Military Forces	40
Macarthur Leslie W. A.	Clerk, Department of Justice, &c. District Registrar of Births, Deaths, &c., Cassilis Mining Registrar, Cassilis	50 21 93
	Clerk of Petty Sessions, Cassilis	57
Macarthur George Fair- fowl.	Captain, King's School Cadet Corps, Volunteer Infantry	41
Macarthy John A.	Surveyor, Department of Harbours and River Navigation	111
Macauley George	Construction Overseer of Electric Telegraphs	131-132
Macdermott Augustine	Clerk, General Post Office	116
Macdonald John R.	Clerk, Lands Department	83
Macdonald John	Captain, N.S.W. Regiment Volunteer Artillery	38
Macdonald Neil	Assistant Lithographic Engraver, Survey Office	86
Macfarlane Edward	2nd Class Surveyor	84
Macgillieuddy Richard	Clerk and Timekeeper, Harbours and Rivers Department	110
Macharg J.	Mining Surveyor, Butchulla	94
Machattie R. R.	Mining Surveyor, Cobar	95
Mackay Patrick	Trustee, Australian Museum	64
Mackay Lewis S.	Junior Operator, Telegraph Station, Orange	128
Mackay Alexander	Sheep Director, Young	100
Mackel Francis	Telegraph Station-master, Campbelltown	125
Mackel Philip	Telegraph Station-master, Wollongong	131
Mackellar Robert	2nd Foreman of Works, Colonial Architect's Department	109
Mackenzie Kenneth C.	Telegraph Station-master, Tumut	130
Mackenzie Kenneth A. H.	Telegraph Station-master, Bathurst	124
Mackenzie Henry Douglas	Lieutenant, New South Wales Artillery	38
Mackenzie Kenneth	District Engineer, Railway Department	104
Mackenzie John	Clerk, Railway Department	103
Mackenzie John	Examiner of Coal Fields	92
	Member of Paris Universal Exhibition Commission	46
Mackinlay Adam	2nd Lieutenant, Volunteer Artillery	39
Macleay Harold	Comptroller General of Prisons	25
Macleay Mordaunt Alister	3rd Class Draftsman, Survey Office	85
Macleay Mordaunt L.	Surveyor, Department of Harbours and Rivers	110
Macleay William	Trustee, Free Public Library	64
	Commissioner of Defence from Foreign Aggression	37
	Member of Sydney International Exhibition Commission	47
	Member of Paris Universal Exhibition Commission	46
MacNaughton Samuel	Assistant District Registrar of Births, Deaths, &c., Maclean	22
Macnevin Thomas Edwin	Chief Clerk, Department of Justice, &c.	50
Maenish James	Acting Visiting Surgeon to the Gaol, Sydney, and Lunatic Reception House.	33
Macpherson James	Clerk, Audit Office	23
Macpherson Peter	Sheep Director, Balranald	98
Macpherson Duncan	Sheep Director, Wentworth	100
Macqueen Archibald J.	Vaccinator, Forbes	32
Madden J.	Electric Telegraph Construction Overseer	131
Madden John Joseph	12th Clerk, Customs, Sydney	71
Madden P.	Bailiff, Warden's Court, Wellington	94
Maddick C. A.	Construction Overseer, Electric Telegraphs	131
Maddock Henry Dyer	Examiner of Titles, Registrar General's Office	20
Maddocks John Halford	2nd Clerk and Cashier, Customs, Sydney	71
Maddocks A. S.	Clerk, Treasury	70
Maddocks Robert Cattle	15th Locker, Customs, Sydney	72
Maddocks John Halford	supernumerary Lieutenant 1st Regiment Volunteer Infantry	44
Maddrell Robert	Sheep Director, Braidwood	98
Magner Thomas J.	Road Superintendent	108
Magovney George	Junior Telegraph Operator, Walgett	130
Maguire William H.	Telegraph Instructor, Sydney	121

INDEX.

Names of Officers.	Office.	Page.
Maher M. E.	Sheep Director, Dubbo	99
Maides E. D.	2nd Mate, Pilot Steamer "Captain Cook"	78
Mair James	Police Magistrate, Deniliquin	57
	Visiting Justice, Gaol, Deniliquin	29
Mair George	Sheep Director, Hay	99
Maister Arthur Joseph	Sheep Inspector, Armidale	97
Maitland D. M., junior	Mining Surveyor	95
Makin Henry T.	Assistant Crown Lands Agent, Hay	39
Makinson Joseph Francis	Associate to Mr. Justice Faucett	50
Makinson Phillip J.	Cadet, Department of Harbours and River Navigation	111
Makinson L.	Construction Overseer of Electric Telegraphs	131
Makinson Thomas Cooper	Clerk to Committee of Management of the Roman Catholic Orphan School, Parramatta.	63
Malcolm Robert Joseph	2nd Class Draftsman, Survey Office	85
	Draftsman, Triangulation Staff, Survey Office	87
Mallarky Stephen	Draftsman, Government Printing Office	75
Malone Hugh	Telegraph Station-master, Molonglo	128
Maloney Michael W.	Operator, Electric Telegraph Department	121
Mandeville William	Operator, Electric Telegraph Department	122
Manly William Meade	Surveyor, Railway Department	104
Mann Gother Frederick	District Engineer, Railway Department	104
Mann E. P.	Mining Surveyor	95
Mann Reginald Fyers	Assistant Draftsman, Railway Department (Engineer-in-Chief's Branch).	103
Manning William Hubert	Associate to Sir William Manning	50
Manning Henry	Clerk, Roads Department	107
Manning Sir William Montagu (Q.C.)	3rd Puisne Judge	50
Manning Frederic Norton (M.D.)	Inspector of the Insane	35
	Medical Superintendent of the Hospital for the Insane, Gladesville, and Lunatic Asylum, Callen Park.	35-36
Mannix Lot	Station-master, Electric Telegraph Branch, Araluen	124
Mansfield Gordon	Clerk in Charge of Pastoral Lease Branch, Occupation of Lands Department.	96
Mansfield George Allen	Architect to Council of Education	62
Manton Charles H.	Construction Overseer of Electric Telegraphs	131
Manton John A.	Forest Ranger, Murray District	96
Marks Lyon J.	Clerk, Colonial Architect's Department	109
Marriott Edward	Warden's Clerk, Armidale, also Uralla	93
	District Registrar of Births, Deaths, &c., Armidale	21
Marsden Thomas	Coroner, Laggan, Binda, &c.	55
Marsh John Milbourne	Water Police Magistrate	56
	Member of the Immigration Board	30
Marsh Frederick	Clerk of Petty Sessions, Wellington	60
	District Registrar of Births, Deaths, &c., Wellington	22
	Registrar of the District Court, Wellington	53
	Agent for the Sale of Crown Lands, Wellington	88
	Warden's Clerk, Wellington	93
Martens Conrad	Assistant Parliamentary Librarian	15
Martin George	Registrar of the District Court, Glen Innes	53
	Police Magistrate and Clerk of Petty Sessions, Glen Innes	58
	Warden, Mining Department	93
	Crown Lands Agent, Glen Innes	88
Martin James	Associate to the Chief Justice	50
Martin Sir James (Q.C.)	Chief Justice	50
	Vice-President of Sydney International Exhibition Commission	47
	Commissioner of Defence from Foreign Aggression	37
	President of Paris Universal Exhibition Commission	46
Martin Richard P.	Telegraph Operator in the Head Office	122
Martin Alfred H.	Cadet, Roads Department	107
Martin George H.	Operator, Electric Telegraph Department, afterwards Station-master, Dungog.	121-126
Martin John Benson	Clerk of Petty Sessions, Camden	57
	Agent for the Sale of Crown Lands, Camden	87
	District Registrar of Births, Deaths, &c., Camden	21
Martin Peter	Assistant Official Postmaster, Bathurst, afterwards Haymarket	119-120
Martin John Henry	Junior Clerk, Department of Justice, &c.	50
Martin Henry	Operator, Electric Telegraph Department	121
Martin Rev. G.	Minister of the Wesleyan Methodist Church, Camden	136
Morum Thomas	Dispenser, Gaol, Sydney	33
Marx John T.	Telegraph Station-master, Wiseman's Ferry	131
Mason Edward	Forest Ranger, Narrandera	97
Mason John N.	Clerk, General Post Office	117
Mason Walter G.	Telegraph Station-master, Pooncarria	129
Mason William Henry	Mate and Clerk, Nautical School Ship "Vernon"	24
Mason William	Engineer for Existing Lines of Railway	103
Mason Thomas	Clerk, Office of Colonial Agent General, London	45
Mason Jeremiah J.	Clerk to Shipping Master, Newcastle	76
Mason Richard Vere	Clerk and Schoolmaster, Gaol, Goulburn	27
Massey C. A.	Sheep Director, Queanbeyan	100
Masters Edward	1st Lieutenant, Volunteer Artillery	39
Mather Joseph	Master and Engineer of Steam Dredge "Vulcan"	112
Matheson George M'L	Road Superintendent	108
Mathews R. H.	Mining Surveyor	95
Mathews Henry	Junior Operator, Electric Telegraph Station, Burwood	123
Mattingly George	Railway Station-master, West Maitland	106
Maunsell George	Police Magistrate and Clerk of Petty Sessions, Moama	58
	Agent for the Sale of Crown Lands, Moama	88
	Coroner, Moama	55
	Commissioner of Crown Lands, New England, &c., District	96

Names of Officers.	Office.	Page.
Maxted Sydney	Master, Protestant Orphan School, Parramatta	63
Maxted Henry Edward	3rd Clerk, Insolvent Court Office	52
Maxton Lawrence	Vaccinator, Lower Clarence	32
	Government Medical Officer, Lower Clarence	34
Maxwell Alexander Charles	Registrar of the District Court, Sydney	52
May William David	Clerk, Ordnance and Barrack Department	76
May William	Superintendent, Hornby Light-house	78
May Rev. William	Church of England Chaplain, Gaol, Goulburn	27
Maybury Cecil E. B.	Clerk of Petty Sessions, Bathurst	56
	Warden's Clerk, Bathurst	93
Mayes John H.	Draftsman, Department of Mines	92
Maynard John Charles	Inspector of Schools, Newcastle District	63
Meares John D.	Sub-Inspector of Police	24
Meares Frederick Potter	6th Clerk, Central Police Office	56
Meares William Devenish	Police Magistrate, Mudgee	58
	Coroner, Mudgee	55
	Visiting Justice, Gaol, Mudgee	29
Medley John R.	Sub-Inspector of Police	24
Meikle James W.	Clerk, Treasury	70
Mein James Seton Veitch	Commander and Superintendent of Nautical School Ship "Vernon"	24
Mein G. A.	Sheep Director, Balranald	98
Meldrum R. W.	Mining Surveyor	95
Meldrum James B.	Road Superintendent	108
Melrose G.	Mining Surveyor, Bingera	94
Melrose John	Draftsman, Railway Department	103
Melville G.	Pilot, Newcastle	78
Melville Andrew	Assistant Official Postmaster, Bathurst	119
Menzies A.	Mining Surveyor, Barrington	94
Meppom David	Chief Attendant, Temporary Lunatic Asylum, Cooma	37
Mercer John	Sub-Overseer, Government Printing Office	75
Mercer Montagu Dallas	Cadet, Council of Education Office	62
Merfield James W.	Inspector of Telegraph Lines and Stations	123
Merrill J. C.	Agreements Validating Officer, San Francisco	143
Merriman James	Member of Sydney International Exhibition Commission	47
	Trustee, Hyde, Phillip, and Cook Parks	90
Metcalfe Chas. Joseph	2nd Class Surveyor	84
Metcalfe M.	Bursar, St. Paul's College	137
Metcalfe Josiah	Operator, Telegraph Station, Bathurst	124
Meyer C.	Pilot, in charge of Moorings, Tathra	79
Meymott Frederick William	District Court Judge and Chairman of Quarter Sessions, Northern District	53-68
Meynink Arthur R. J.	Telegraph Station-master, Wallabadah	130
Meyrick Edward	Assistant Master, Sydney Grammar School	137
Middleton Cecil A.	Station-master, Electric Telegraph Branch, Wagga Wagga, afterwards Goulburn	126-130
Middleton C. R.	Police Magistrate and Clerk of Petty Sessions, Raymond Terrace	59
	Crown Lands Agent, Raymond Terrace	88
Miles J. R. R.	Clerk, Lands Department	84
Miles James R. R.	Assistant Officer of Customs, Deniliquin	74
Miles John R.	Booking Clerk, Electric Telegraph Department	121
Milford Saml. Fred. Follett	Clerk, Lands Department	84
	Clerk, Executive Council Office	14
Milford Frederick	Member of the Medical Board	31
Millard Samuel R.	Junior Operator, Telegraph Station, Wollongong	131
Millard William	Lieutenant, Ulladulla Volunteer Rifles	43
Miller David	Clerk, Survey Office	87
Miller Louis V.	Junior Telegraph Operator, La Perouse	123
Miller John W.	Booking Clerk, Electric Telegraph Department	121
Miller George	Chief Clerk, Council of Education	62
Miller S. R.	Clerk, Audit Branch, Railways	106
Miller W.	Clerk, Audit Branch, Railways	106
Miller Hugh	Road Superintendent	108
Milne John Snell	Vaccinator, St. Albans, M'Donald River	33
	Coroner, Wollombi	55
Milne Rev. James	Presbyterian Minister, Sydney (Paddington)	136
	Presbyterian Chaplain to the Gaol, Sydney	26
	Acting Presbyterian Chaplain, Permanent Military Forces	38
Milson Alfred George	Midshipman, Naval Brigade	45
Miner Joseph	Telegraph Station-master, Fordwich	126
Mitchell H. J. C.	Mining Surveyor	95
Mitchell Kenneth	Junior Telegraph Operator, Inverell	127
Mitchell Robert	Sheep Director, Narrandera	99
Mitchell Richard Blunt	District Registrar of Births, Deaths, &c., Balranald	21
	Police Magistrate and Clerk of Petty Sessions, Balranald	56
	Agent for the Sale of Crown Lands, Balranald	87
	Registrar of the District Court, Balranald	53
	Coroner, Balranald	54
Mitchell Thomas	Sheep Director, Hume	99
Mitchell William	Cadet, Colonial Architect's Department	109
Mitchell James	Clerk, Audit Office	23
Mitchelson Thomas	Inspector of Weights and Measures, Sydney	25
Mobbs William	Junior Telegraph Operator, Ballina	124
Mockridge Robert	Sheep Director, Bourke	98
Moffitt Sidney L.	Junior Operator, Signal Station, South Head	79
	Telegraph Operator, Head Office	122
Moffitt George J.	Signal Master, Fort Phillip	79
Moffitt D.	Assistant District Registrar of Births, Deaths, &c., Burrawang	21
Moffitt D.	Construction Overseer, Electric Telegraphs	131

INDEX.

xliii

Names of Officers.	Office.	Page.
Molesworth Robert A.....	Sheep Director, Booligal	98
Monckton Frederick O'Dell	Clerk, Council of Education Office	62
Monday Arthur Wellesley	Registrar, Treasury	71
Monday Arthur Robert ..	Clerk, Railway Department	103
Monteeth W.	Construction Overseer, Electric Telegraphs.....	131
Montefiore Eliezer Levi ..	Member of Paris Universal Exhibition Commission	46
Montefiore Edward Levi...	Representative Commissioner, Paris Universal Exhibition	46
Montefiore Jacob Levi ..	Representative Commissioner, Paris Universal Exhibition	46
Moodie Andrew	Railway Station-master, Marulan	105
Moon Ernest A	Cadet, Naval Brigade	45
Moon Denniston Dewar ..	Clerk, General Post Office	117
Mooney C.	Construction Overseer, Electric Telegraphs.....	131-132
Mooney John Joseph	Clerk, Money Order Office.....	120
	Clerk, Government Savings' Bank	132
Moore Charles	Director of the Botanic Gardens, &c.	89
	Member of Paris Universal Exhibition Commission	46
	Trustee, Hyde, Phillip, and Cook Parks	90
	Member of Hyde Park Improvement Committee	89
Moore Charles	Trustee, Hyde, Phillip, and Cook Parks	90
Moore Rev. David	Presbyterian Minister, Windsor	136
Moore William Palmer ..	Lieutenant, St. Leonards Volunteer Rifles	42
Moore Ashley E. M.	Draftsman, Department of Harbours, &c.	110
Moore Thomas	Ensign, 2nd Regiment Volunteer Rifles	44
Moore John Edington	Clerk, Hospital for the Insane, Gladsville	35
Moppett Thomas John ..	Clerk, Audit Office	23
Moppett Thomas Robert	Clerk, Audit Office	23
Burnes.		
Morano F.....	Bailiff, Warden's Court, Gundagai	94
Morgan George	Clerk, Occupation of Lands Department	96
Morgan Charles T.	Operator, Electric Telegraph Department	121
Morgan Cosby William,	Trustee, Australian Museum	64
M.D.	Vaccinator, Sydney, afterwards Newcastle	31-32
	Government Medical Officer, Newcastle	34
	Member of the Medical Board	31
Moriarty Abram Orpen ..	Chief Commissioner of Conditional Sales.....	83
Moriarty Merion H.	Assistant Engineer, Clarence River (Department of Harbours and River Navigation.)	110
Moriarty Edward Orpen...	Engineer-in-Chief for Harbours and River Navigation	109
	Member of Public Works Tender Board	109
	Commissioner of Defence from Foreign Aggression	37
	Member of the Board for inspecting and maintaining the supply of Colonial Warlike Stores.	79
Moriarty Edward S.	Cadet, Department of Harbours and River Navigation	111
Morisset Edric V.	Superintendent of Police	24
Morisset Rudolf Rox-	Police Magistrate and Clerk of Petty Sessions, Wilcannia	60
burgh.	District Registrar of Births, Deaths, &c., Menindie	22
	Coroner, Menindie	55
	Registrar of District Court, Wilcannia	54
	Crown Lands Agent, Mitchell (Wilcannia).....	88
Moroney John J.....	Telegraph Station-master, Camden	125
Morrice David	Sheep Director, Berrima	98
Morris Alfred	Telegraph Operator, Head Office	122
Morris Augustus	Member of Paris Universal Exhibition Commission	46
Morris Charles T.....	Junior Telegraph Operator, Goulburn.....	126
Morris Henry	Railway Station-master, Blayney	105
Morris John Humphrey...	1st Lieutenant, 1st Regiment Volunteer Infantry	41
Morris George	Warden's Clerk, Adelong	93
Morris John Thomas	Vaccinator, Cassilis	31
Morrison James T.	Instrument Fitter, Electric Telegraph Department	122
Morrow Maria	Infant Teacher, Protestant Orphan School, Parramatta	63
Morse William	Railway Station-master, Honeysuckle Point	106
Morson Alexander Kin-	Vaccinator, Paterson and East and West Maitland	32
near.	Honorary Assistant Surgeon, West Maitland Volunteer Rifles.....	44
Mort Rev. Henry Wallace	Acting Church of England Chaplain to the Permanent Military Force.	38
Mort Henry	Member of Sydney International Exhibition Commission	47
Mortimore Hugh	Clerk, Store Branch, Railway Department	107
Morton Andrew	Coroner, Queanbeyan	55
	Vaccinator, Queanbeyan.....	32
Morton A.....	Junior Operator, Telegraph Office, Queanbeyan.....	129
Morton George.....	Clerk of Petty Sessions, Bundarra	57
Morton Selby Mars	Vaccinator, Camden, Narellan, &c., afterwards Goulburn.....	31-32
Morton John	Vaccinator, Goulburn	32
Moses William	Clerk, Occupation of Lands Office	96
Moulder William Nathaniel	Ensign, Orange Volunteer Rifles	44
Mountain Adrien Charles..	Surveyor, Railway Department	104
Mowle Stewart Majori-	1st Clerk, Legislative Council.....	14
banks.		
Mowle Aubrey Murray	2nd Clerk, Insolvency Court Department	51
Palmer.		
Moxham George M.....	Railway Station-master, Lochinvar	106
Moylan Stephen P.	Corresponding Clerk, Electric Telegraph Department	121
Moyle Walter	Clerk, Government Savings' Bank	132
Moyle Vickers	Postal Inspector	118
Muddle William Shirley..	Counter Clerk, Registrar General's Office.....	21
Muddle Charles John	Deputy Registrar General	20
Muddle John	Clerk, Railway Department	103
Mudie George Alexander..	Draftsman, Occupation of Lands Department	96
Muir Elizabeth A.	Telegraph Operator, Manning Heads	127

Names of Officers.	Office.	Page.
Muir John	Pilot, Manning River	79
Muir John	Railway Station-master, Blue Mountains	105
Muir Andrew	Junior Operator, Telegraph Station, Tamworth	129
Muir James E.	Junior Operator, Telegraph Station, Blue Mountains	124
Muir J.	Bailiff of Warden's Court, Cowra	94
Mulcahy Patrick	Assistant Draftsman, Department of Harbours and Rivers	110
Mulball George	Light-keeper, Barranjuoy	78
Mulholland Wesley Powell	2nd Lieutenant, 2nd Regiment Volunteer Infantry	43
Muller Woolfgang	Draftsman, 2nd Class, Survey Office	85
Mulligan Edward T.	Telegraph Station-master, Milton	127
Mulligan William	Telegraph Operator, Bathurst, afterwards Station-master, Nelligen	124-128
Munro Alexander	Sheep Director, Moree	99
Munro John	Telegraph Station-master, Moree	128
Munro Robert	Clerk, Council of Education Office	62
Muraire Rev. Zephirin	Roman Catholic Chaplain, Hospital for the Insane, Gladsville	35
Murchison Duncan A.	Junior Operator, Telegraph Station, Walgett, afterwards Station-master, Barrungun	130-125
Murdoch Henry	Clerk, General Post Office	116
Murdoch David	Clerk, Department of Distilleries and Sugar Refineries	74
Murphy Charles J.	Operator, Electric Telegraph Department	121
Murphy James	Sheep Director, Coonabarabran	98
Murphy Michael	Major, New South Wales Artillery	37
Murphy Stephen	Schoolmaster, Gaol, Sydney	26
Murphy Thomas Edward..	5th Clerk, Supreme Court Office	50
Murphy D. D.	Mining Surveyor, Barrington	94
Murray Patrick	Road Superintendent	108
Murray R.	Engineer Surveyor, Richmond River	77
Murray Rev. James Daniel	Presbyterian Chaplain to the Gaol, Parramatta	26
Murray John Swinton.....	Description Writer, Survey Office	86
Murray David Hislop	Junior Clerk, Council of Education Office	62
Murray Pembroke Lathrop	Captain, New South Wales Artillery	37
Murray John Henry	Inspector of Schools, Yass District	63
Murray Aubrey H.	Junior Operator, Telegraph Branch, Hay, afterwards Wentworth	127-130
Murray Terence A.	Junior Operator, Telegraph Branch, Hay	127
Murray R. L.	Mining Surveyor	95
Murray Gustavus A.	Sheep Director, Walgett	100
Murray Charles Edward Robertson.	Crown Prosecutor, South-western District	68
	District Court Judge and Chairman of Quarter Sessions, North-western and Eastern District	54-68
Musgrave Thomas	Forest-Ranger, Nowra	97
Musgrave Richard	Junior Operator, Telegraph Station, Gabo Island	126
Myers George W.	Junior Operator, Telegraph Station, Euston	126
Myhill John Richardson..	Harbour Master, Sydney	77
Mylecharane W.	Mining Surveyor, Bowenfels	94
Myles Charles Henry	Captain, No. 8 Battery, Volunteer Artillery	38
N		
Napier John	Surveyor, Railway Department	104
Napier Charles	Assistant Examiner, Treasury	71
Nardin Ernest Anthony ..	Assistant Engineer in the Field, Roads Department	107
Nash Andrew	Vaccinator and Medical Officer, Wallsend	33-34
Nash Rev. J. J.	Minister of the Church of England, Murrurundi	134
Nash William Henry	Surveyor for Alignment of Streets	85
Nash Joseph F.	Clerk, Stores Department	74
Nathan Robert Allwood...	Lieutenant, New South Wales Artillery	38
Nathan Augustus Venour ..	Assistant Officer of Customs, Deniliquin	74
Neale John Thomas.....	Clerk, Colonial Architect's Department	109
Neale Nathaniel	Clerk, Treasury	70
Neale Nathaniel	12th Landing-waiter, Customs, Sydney	72
Neale James R.	Assistant Cashier, Railway Department	102
Neale Thomas Henry	Police Magistrate, &c., Hartley	58
	Crown Lands Agent, Hartley	88
	Mining Registrar, Hartley	94
	Registrar of the District Court, Hartley	53
	Coroner, Hartley	55
Neale John G.	Clerk, Lands Department	82
Neale George J.	Clerk, Lands Department	84
Neale Charles Alfred	Clerk, Railway Office	103-106
Neate John Richard	Clerk, Department of Mines	92
Neate Charles Edward.....	Clerk, Lands Department	83
Neild Frederick R.	Cashier, Railway Department, Newcastle	105
Neild John R.	Clerk, Railway Department	106
Neill William James	Description Writer, Survey Office	86
Neitenstein Frederick William.	Commander and Superintendent, Nautical School Ship "Vernon"	24
Nelson John	Operator, Electric Telegraph Department	121
Nelson Carl Johan	Writing Master, Sydney Grammar School	137
Nesbitt William B.	Telegraph Operator, Head Office	121
Nesbitt John, junr.	Telegraph Operator, Head Office	121
Nevile Cavendish Lister ..	Coroner, Bourke	54
Newbery William	Telegraph Station-master, Sofala	129
Newbery W. O.	District Registrar of Births, Deaths, &c., Sofala	22
Newbery Benjamin	District Registrar of Births, Deaths, &c., Paterson	22
Newcombe Henry Charles Edwin.	Compiler of General Statistics, Registrar General's Office	20

INDEX.

xlv

Names of Officers.	Office.	Page.
Newcombe William.....	Officer to issue Miners' Rights and Business Licenses	93
	Receiver, Treasury	70
	Agent for the Church and School Estates	89
Newcombe Albert	Junior Assistant Draftsman, Land Titles Branch (Registrar General's Department).....	21
Newman A.	District Registrar of Births, Deaths, &c., Clarence Town.....	21
Newman Henry W.....	Telegraph Operator, Lucknow	127
Newman Thomas E. L.	Clerk, Lands Department	82
Newman Charles Alfred	District Registrar of Births, Deaths, &c., Newtown	21
Newman Edward.....	Foreman of Ordnance Stores.....	76
Newton John Lawrence	Surgeon to the Gaol, Mudgee	33
Newton Joseph	Foreman of Machinery, and Engineer, Branch Royal Mint, Sydney	18
Newton Henry.....	Pilot, Newcastle	78
Nicholas C. E.	District Engineer, Railway Department	104
	Surveyor, Department of Harbours and River Navigation.....	111
Nicholl Thomas W.....	First Clerk, Pay Branch, Treasury	70
Nicholls Thomas (J.P.)	Coroner, Port Stephens	55
Nicholson Charles E.	Assistant Official Postmaster, Newcastle	120
Nicholson Charles Lindsay	Coroner, Berrima.....	54
Nightingale Charles.....	Accountant, General Post Office	116
Nihill Pierce.....	Sub-Collector of Customs, Corowa	74
Nilson Arvid.....	Draftsman, Department of Mines	92
Nisbet John Hyde	Clerk of Petty Sessions, Molong.....	58
	Registrar of the District Court, Molong	53
	District Registrar of Births, Deaths, &c., Molong	22
	Crown Lands Agent, Molong.....	88
Nixon George Coleridge	Clerk, Registrar General's Office	20
	Clerk, Treasury	71
Nixon Frederick	1st Lieutenant, Volunteer Artillery	39
Noake Israel	Forest Ranger, Macleay District	97
Nobbs John	2nd Lieutenant, 2nd Regiment Volunteer Infantry	43
Noble Henry John	Clerk, Registrar General's Office	20
Norrie Harold F.....	Telegraph Station-master, Murrumburrah	128
Norris Charles George	Adjutant, 3rd Regiment N.S.W. Volunteer Infantry	39
North Edward J. C.	Police Magistrate and Clerk of Petty Sessions, Carcoar.....	57
	Warden, Mining Department	93
	Agent for the Sale of Crown Lands, Carcoar	87
North Henrietta	Junior Operator, Electric Telegraph Station, Edgecliff	123
	Official Postmistress, Edgecliff	118
Norton James	Trustee, Australian Museum	64
	Trustee, Free Public Library	64
	Member of Paris Universal Exhibition Commission	46
	Trustee, Hyde, Phillip, and Cook Parks	90
Norton John Oxley.....	Police Magistrate, Dubbo	57
Noyes Alfred Wm. Finch.....	Vaccinator, Deniliquin	31
	Coroner, Deniliquin	54
	Government Medical Officer, Deniliquin	34
	Visiting Surgeon, Gaol, Deniliquin	33
Nunn Joshua Walter	Station-master, Electric Telegraph Branch, Taree	129
O		
O'Brien T.	Warden's Clerk, Hargraves	93
O'Brien M. A.	Clerk, Lands Office	83
O'Brien Edward	Assistant Librarian, Lending Branch, Free Public Library	64
O'Brien Edward	Vaccinator, Rockley.....	32
O'Brien Rev. Edward.....	Minister of the Roman Catholic Church, Araluen, Braidwood.....	135
	Roman Catholic Chaplain to Lunatic Asylum, Cooma	37
O'Byrne Gerald	Inspector of Schools, Albury District	63
O'Connell Rev. Daniel V. M.	Minister of the Roman Catholic Church, Wollongong	135
O'Connell John	Vaccinator and Medical Officer, Hill End and Parkes	32-34
O'Connor H. A. D.	Mining Surveyor, Balranald	94
O'Connor Rev. Patrick T.	Roman Catholic Chaplain to the Gaol, Armidale	28
O'Connor John B.	Acting 4th Clerk, Supreme Court Office	50
	7th Clerk, Department of Justice, &c.	50
O'Connor Daniel J.....	Booking Clerk, Electric Telegraph Department	121
O'Connor Maurice J.	Visiting Surgeon to the Gaol and Lunatic Reception House, Darlinghurst.....	33
O'Connor Patrick	Clerk, General Post Office	117
O'Connor Richard	Crown Prosecutor, Northern District	68
O'Connor Thomas	Junior Operator, Telegraph Station, Deniliquin	126
O'Donnell George	Chief Clerk, Stores Department.....	74
O'Donnell John	Sub-Collector of Customs, Euston.....	73
O'Donnell P. J.	Sheep Director, Gundagai	99
O'Donovan Rev. John.....	Roman Catholic Chaplain, Gaol, Mudgee	29
O'Dwyer Rev. Athanasius Thomas.....	Roman Catholic Chaplain, Gaol, Goulburn.....	27
O'Dwyer Rev. John.....	Roman Catholic Chaplain, Gaol, Deniliquin	29
O'Dwyer James Edmund	Clerk, Occupation of Lands Department.....	96
O'Dwyer Edmund	Clerk in Charge of Woods and Forests Branches, and Accountant, Occupation of Lands Department.....	96
O'Grady Michael.....	Boys' Teacher, Roman Catholic Orphan School, Parramatta	63
O'Hara James C.....	Telegraph Station-master, Anvil Creek, afterwards Junior Operator, Narrabri	124-128
O'Keefe Rev. P. J.....	Roman Catholic Chaplain, Gaol, Yass	28
O'Neill William	Official Postmaster, Parramatta-street, afterwards Mudgee	118-119

Names of Officers.	Office.	Page.
O'Neill Neil Charles	Coroner, Hillston.....	55
	Registrar of the District Court, Hay.....	53
	Clerk of Petty Sessions, Hay, afterwards Hillston.....	58
	Assistant District Registrar of Births, Deaths, &c., Hillston.....	22
	Crown Lands Agent, Hay.....	88
	Mining Registrar, Hillston.....	94
O'Neill Rev. Timothy.....	Roman Catholic Chaplain, Gaol, Maitland.....	27
O'Reilly Rev. Thomas.....	Minister of the Church of England, Sydney.....	134
	Member of the Immigration Board.....	30
O'Shea Michael.....	Drill-master, Roman Catholic Orphan School, Parramatta.....	63
Oakes Walter.....	Clerk, Railway Department (Traffic Audit Branch).....	106
Oatley James, J.P.....	Member of the Royal Commission to inquire into the working, &c., of the Gaol, Berrima.....	47
Oatley Frederick.....	Inspector, Glebe Island Abattoir.....	79
Oatley James N.....	Sub-Accountant, Treasury.....	70
Oatley William R.....	Midshipman, Naval Brigade.....	45
Oatley William Kelsey.....	Clerk, Department of Harbours and Rivers.....	109
Officer S. H.....	Sheep Director, Balranald.....	98
Ogle Thomas.....	Assistant Official Postmaster, West Maitland.....	120
Oldfield J.....	Assistant Signal Master, Newcastle.....	79
Oliver Alexander.....	Examiner of Land Titles, Registrar General's Office.....	20
	Parliamentary Draftsman.....	68
	Registrar of Friendly Societies.....	68
Oliver Thomas Jewel.....	Clerk, Occupation of Lands Department.....	96
Oliver Charles Nicholson Jewel.....	Inspector of Crown Land Offices.....	87
Oliver William.....	Sheep Director, Condobolin.....	98
Olson John P.....	Station-master, Electric Telegraph Branch, Grenfell.....	126
Onslow Arthur (Captain).....	Trustee, Australian Museum.....	64
Onslow H. H.....	Field Assistant (Geological Survey), Mining Department.....	92
Oram Rev. Joseph.....	Minister of the Wesleyan Methodist Church, Maitland.....	136
Oram John George.....	Clerk, Roads Department.....	107
Ord Charles Augustus.....	Clerk, General Post Office.....	116
Ore William Henshawe.....	Line Repairer, Telegraph Station, Mudgee.....	128
Ormiston James Edward.....	7th Clerk, Colonial Secretary's Office.....	20
Ormiston Charles Sydney.....	Sale Clerk, Government Printing Office.....	75
Ormiston Robert Henry.....	Clerk, Lands Department.....	82
Ormsby Arthur Irwin.....	1st Landing-waiter, Customs, Sydney.....	71
	Acting 2nd Landing Surveyor, Customs, Sydney.....	71
Orr Henry.....	Engineer and Master of the Steam Dredge "Titan".....	112
Orr William.....	Mining Surveyor.....	95
	Surveyor, 2nd Class.....	84
Orridge John W.....	Superintendent of Police.....	24
Osborne James.....	Sheep Director, Gundagai.....	99
Osborne F. S.....	Warden's Clerk, Forbes.....	93
Ould Hugh Henry.....	1st Clerk, Crown Solicitor's Office.....	68
Overmyer John.....	Clerk, General Post Office.....	117
Owen William.....	Commissioner of the Court of Claims.....	89
	Member of the Board of Visitors to Lunatic Asylums.....	35
Owen William.....	Official Postmaster, Deniliquin.....	119
Owen Percy.....	Captain, New South Wales Regiment Volunteer Artillery.....	38
	Captain, Wollongong Volunteer Rifles.....	41
Owen Robert.....	Trustee, Free Public Library.....	64
Owen Charles.....	3rd Class Draftsman, Survey Office.....	85
P		
Packer Goodwin Robert.....	1st Class Draftsman, Survey Office.....	85
	2nd Class Draftsman, Survey Office.....	85
Page James S.....	Junior Telegraph Operator, Coonamble.....	125
Page Joseph C.....	Inspector of Conditional Purchases.....	83
Paige William.....	Probationer, Treasury.....	70
Palmer Edward.....	Coroner, Camden, &c.....	54
Palmer Thomas Wellington.....	Coroner, Port Macquarie.....	55
	Sheep Director, Port Macquarie.....	100
Palmer James Hugh.....	Shorthand Writer, Legislative Assembly.....	15
Palmer Rev. Henry A.....	Minister of the Church of England, Windsor.....	134
Palmer Edward Gillett Worcester.....	Librarian, Lending Branch, Free Public Library.....	64
Palmer Herbert.....	Assistant Engineer-in-Charge of Trial Surveys, Railway Department.....	104
Park Archibald John.....	Mining Surveyor, Armidale.....	94
Parke John.....	Junior Operator, Telegraph Station, Parkes.....	128
Parker William.....	District Registrar of Births, Deaths, &c., Balmain.....	21
Parker Frederick L.....	Sheep Director, Deniliquin.....	98
Parker John.....	Deputy Shipping Master, Sydney.....	76
Parker William Fox.....	Clerk of Petty Sessions, Grenfell.....	58
	Police Magistrate, Merriwa.....	58
	Coroner, Merriwa.....	55
	Crown Lands Agent, Grenfell.....	88
	Registrar of District Court, Grenfell.....	53
Parkes Sir Henry, K.C.M.G.....	Colonial Secretary.....	20
Parkes Thomas.....	Clerk, Traffic Audit Branch, Railway Branch.....	106
Parnell Edwin Arthur.....	Clerk, Registrar General's Office.....	21
Parnell E.....	Sheep Director, Singleton.....	100
Parr John F.....	Telegraph Station-master, Gosford.....	127
Parrott Thomas Samuel.....	Lieutenant, new Engineer Corps.....	43
	Computer and Draftsman, Survey Office.....	87
	Mining Surveyor.....	95

INDEX.

xlvii

Names of Officers.	Office.	Page.
Parsons William J.	Operator, Electric Telegraph Department, Head Office.....	121
Parsons Edward J.	Telegraph Station-master, Bendemeer	124
Parsons George	Railway Station-master, George's Plains.....	105
Parsons John	Operator, Electric Telegraph Department	121
Paschen Oscar Charles Otto	15th Landing-waiter, Customs, Sydney	72
Pass Samuel	Railway Station-master, Kelso	105
Passmore William Richard Templeman.	3rd Landing-waiter, Customs, Sydney	71
Patison Alexander L.	Clerk of Works, Trial Bay, (Harbours and Rivers Department).....	110
Paton John	Gaoler, Deniliquin	29
Paton Amelia M. C.	Matron, Gaol, Deniliquin	29
Patterson Edward	Clerk, Lands Department	82
Patterson Robert.....	Sheep Director, Deniliquin	98
Pattison George John.....	Surgeon, 1st Regiment Volunteer Rifles	44
Pattison A. L.	Construction Overseer, Electric Telegraphs	131
Paul Alfred	Captain, 3rd Regiment Volunteer Infantry	42
Paul Charles.....	Junior Telegraph Operator, Orange.....	128
Paul Charles	Goods Foreman, Railway Station, Sydney	105
Pawley John Whitelaw ..	Clerk, Store Branch, Railway Department	107
Paxton Joseph.....	Member of Paris Universal Exhibition Commission	46
Payten Charles Newton ..	3rd Clerk, Water Police Office	56
Payten Samuel	Forest Ranger, Murray District	97
Payten William Henry ..	Clerk, Roads Department	107
Pearce Joseph Ede	Police Magistrate, Hay	58
Pears J. M.	Coroner, Hay	55
Pears J. M.	Mining Surveyor	95
Pearse Thomas Warwick... ..	Coroner, Paterson and Maitland	55
Pearson Robert Mead.....	Principal Draftsman, Registrar General's Office (Land Titles Branch.)	20
Pearson Edward	Sheep Director, Forbes	99
Pearson A. P.	Cadet, Treasury	71
Pearson James	Accountant, Treasury	70
Peattie James	Draftsman, Colonial Architect's Department	109
Pechey A. J.	Mining Surveyor	95
Peed L. E.	Construction Overseer of Electric Telegraphs	131
Peers Joseph Francis	Coroner, Coonamble	54
Pegus Arthur Hood	Landing Waiter, Clarence Heads	73
Pegus Emma H.	Operator, Telegraph Station, Clarence Heads.....	125
Pell Reginald B.	Cadet, Department of Harbours and Rivers	110
Pendleton William S.	Wharfinger, afterwards Assistant Wharfinger, Railway Department, Newcastle	105
Pennington J.	Signal-master, Cape Hawke	79
Pennington William George ..	Secretary to the Commissioners of the Court of Claims	80
Pennington Sydney James ..	Supernumerary Draftsman, Survey Office	86
Penzer Joseph	Sheep Director, Dubbo	99
Pericles John	Vaccinator, Rylstone	33
Perrott Robert Issell	Registrar of the District Court, Port Macquarie	54
Perrott Robert Issell	Clerk of Petty Sessions, Port Macquarie.....	59
Perrott Robert Issell	District Registrar of Births, &c., Port Macquarie	22
Perrott Robert Issell	Visiting Justice, Gaol, Port Macquarie	28
Perrott Robert Issell	Crown Lands Agent, Port Macquarie	88
Perrott T. M.	Time Clerk, Clarence River Breakwater, Department of Harbours and Rivers.	110
Perry John	Assistant Master, Sydney Grammar School.....	137
Perry F. G.	Clerk of Petty Sessions, Bendemeer.....	57
Perry Michael	Vaccinator and Medical Officer, Yass	33-34
Perry Michael	Visiting Surgeon, Gaol, Yass.....	33
Petre Rev. Augustus H.	Roman Catholic Chaplain, Gaol, Darlinghurst	26
Pettit Henry	Assistant Harbour Master, Sydney	77
Peyton Stanley Lees	1st Class Draftsman, Survey Office	85
Phelan Rev. James	Minister of the Roman Catholic Church, Hartley	135
Phelan Rev. James	Roman Catholic Chaplain to the Gaol, Braidwood	28
Phelan Thomas	Telegraph Station-master, Gunning	127
Phelan John E.	Electric Telegraph Station-master, Pilliga	129
Philben George	Road Superintendent	108
Phillips Charles Edward... ..	Clerk, Lands Department	83
Phillips Herbert	Clerk, Lands Office	83
Phillips Henry (Major)	Captain, 2nd Regiment Volunteer Infantry	40
Phillips H.	Sheep Director, Menindie	99
Phillips Samuel J.	Junior Telegraph Operator, Parramatta-street	123
Phillips Samuel J.	Assistant Official Postmaster, Parramatta-street.....	120
Phillips Hyam J.	Telegraph Station-master, Booligal	125
Phillips Thomas Hughes... ..	Clerk, afterwards Emigration Officer, Office of the Agent General (Resident in London.)	45
Pidding T. S.	Electric Telegraph Construction Overseer	131
Pidgeon John W.	Clerk, Lands Office	84
Pierce Robert James	Vaccinator, West Maitland	32
Piggott W. T.	Shipwright Surveyor, Clyde River	77
Pinhey Charles Hart Townley.	Examiner of Accounts, Treasury	71
Pinhey Charles Hart Townley.	Inspector of Public Revenue Collectors' Accounts	70
Pinhey William Townley ..	Member (afterwards Secretary) of Board of Pharmacy	80
Pinhey William Townley ..	Member of Royal Commission to inquire into the working, &c., of Berrima Gaol.	47
Piper William Francis ..	Forest Ranger, Sydney (Occupation of Lands Department)	97
Pirie William	Sheep Director, Narrabri	99
Pitt G. M., junr.....	Mining Surveyor	92
Pittman Edward F.	Geological Surveyor	95
Pittman Edward F.	Mining Surveyor.....	24
Plummer William Charles ..	Schoolmaster, Nautical Ship "Vernon"	24

Names of Offices.	Office.	Page
Plunkett Gerald	Telegraph Station-master, Richmond	129
Plunkett William Edmond	Under Secretary, Department of Justice and Public Instruction...	50
Podmore A. S.	Sheep Director, Goulburn	99
Pollard John	Assistant Instrument Fitter, Electric Telegraph Department	122
Pool John	Supernumerary Draftsman, Survey Office	86
Poole W. F.	Warden's Clerk, Dalmorton	93
Pope Charles Chatfield	6th Clerk, Customs, Sydney	71
Pope George Miller	District Registrar of Births, Deaths, &c., Ryde.....	22
	Clerk of Petty Sessions, Ryde	59
Pope Eva	Junior Telegraph Operator, Ryde	123
Pope Walter R. H.	Janitor and Drill Sergeant, Sydney Grammar School	137
Porter Andrew	Clerk, General Post Office	116
Portus Alexander B.	Engineer and Master of Steam Dredge "Newcastle"	113
Portus John	Clerk, Department of Harbours and River Navigation	109
Postle John D.	Road Superintendent	108
Potter Alfred	Clerk, Traffic Branch, Railway Department	106
Potter Alfred R.	Cadet, Roads Department	107
Potter Charles	Superintendent of the Government Printing Office	75
Powden Edwin J.	Junior Telegraph Operator, Braidwood	124
Powell Henry Watson	Crown Lands Agent, Bingera	87
Powell William	Junior Telegraph Operator, Grafton, afterwards Operator, Head Office.....	126-122
Powell David	Pilot, Newcastle	78
Powell Theodore	Clerk in charge of Ecclesiastical papers, Supreme Court Office	50
Power Marcus B.	Clerk, Roads Department	107
Pownall Rev. William Henry.	Church of England Chaplain, Gaol, Wagga Wagga	28
Pownall William	Clerk, Treasury	71
Pratt Edward	Mathematical Master, Sydney Grammar School.....	137
Price T. H.	Warden of Bailiff's Court, Hargraves	94
	Warden's Clerk, Windeyer	93
	Bailiff of Warden's Court, Windeyer.....	94
Priddle Rev. Charles F. D.	Minister of the Church of England, Liverpool	134
Priest James	Superintendent of Light-house, Port Stephens	78
	Telegraph Operator, Port Stephens	79
Primrose Edwin C.	Clerk, Department of Mines	92
Primrose Charles Herman Burton.	Crown Lands Agent, Cootamundra	87
	Assistant District Registrar of Births, Deaths, &c., Cootamundra	22
	Clerk of Petty Sessions, Cootamundra	57
	Mining Registrar, Cootamundra	93
Pring John	Sheep Director, Young	100
Pringle Annie Oakes	Matron of the Protestant Orphan School, Parramatta	63
Proctor Rev. Edmond B.	Minister of the Church of England, Bungonia	135
Prott Charles W.	Telegraph Station-master, Mount Victoria	127
Prout Michael	Telegraph Line Repairer, Glen Innes	126
Pryce Rev. Edward G.	Church of England Chaplain, Gaol, Braidwood.....	28
Puddicombe Rev. Alfred T.	Church of England Chaplain, Gaol, Goulburn	27
Purdie Robert	Vaccinator and Medical Officer, Grafton	32-34
Pye William	District Registrar of Births, Deaths, &c., Condobolin	22
Q		
Quaife Frederick Harrison	Vaccinator, Woollahra	31
Quinn James Joseph	3rd Class Draftsman, Survey Office	86
Quirk Frank	Clerk, General Post Office	117
Quirk Thomas	Station-master, Electric Telegraph Branch, Grafton	126
Quirk Rev. John N.	Minister of the Roman Catholic Church, Newtown	135
Quodling William Henry	Chief Clerk, Railway Department (Engineer-in-Chief's Branch)	103
Quodling Henry	District Engineer, Railway Department	104
Quodling John	Entry Clerk, Lending Branch, Free Public Library	64
R		
Rabone Stephen	Assistant Clerk, Harbours and Rivers Department	110
Radcliffe James Alfred	Draftsman, Engineer-in-Chief's Branch, Railways.....	103
Rae George	Operator, Electric Telegraph Department	121
Rae Frederick G.	Draftsman, Railway Department	102
Rae Frederick J.	Railway Station-master, Murrumburrah	105
Rae John	Under Secretary for Public Works and Commissioner for Railways	102
	Member of Public Works Tender Board.....	109
Rainsford John	Clerk, Department of Justice, &c.	50
Rainsford Charles Davis	Clerk, Department of Justice, &c.	50
Rainsford Persse	3rd Clerk, Equity Office	50
Ramsay Edward Pearson	Curator, Australian Museum.....	64
	Member of Paris Universal Exhibition Commission	46
	Trustee, Hyde, Phillip, and Cook Parks	90
	Clerk, Gaol, Parramatta.....	26
Ramsay Frederick Augus- tus		
Ramsden Richard	Ticket Clerk, Railway Department	102
Ranclaud Charles B.	Coroner, Newcastle	55

INDEX.

xlix

Names of Officers.	Office.	Page.
Ranken George.....	Commissioner to inquire into and Report on the working and Administration of Lands and Survey Departments.	90
Rankin Maria	Matron, Gaol, Wagga Wagga	28
Rankin Thomas	Gaoler, Wagga Wagga	28
Rankin James D.....	Coroner, Jerilderie	55
Rankin Angus	Sheep Director, Gundagai	99
Raper William T.	Station-master, Electric Telegraph Branch, Dubbo	126
Raper Edward	Clerk, Office of Inspector General of Police	24
Ray Edgar H.	Clerk, Department of Mines	92
	Cadet, Naval Brigade	45
Raymond Ernest	Cadet, Naval Brigade	45
Raymond Robert Peel.....	Commanding Volunteer Infantry	40
Rayner Samuel Wade.....	Ensign, Penrith Volunteer Rifles	44
Read George.....	Clerk, General Post Office	116
Read James Alexander.....	Chief Clerk of the Supreme Court	50
	Deputy Registrar, Divorce and Matrimonial Causes Court	51
Read John Cecil	Principal Gaoler, Darlinghurst, Sydney	26
Read Richard	Vaccinator, Singleton	33
Read William	Station-master, Electric Telegraph Branch, Merriwa	127
Read George.....	Superintendent of Police	24
Read William Vero.....	Traffic Auditor, Railway Department	106
Readett W. H.....	Mining Surveyor.....	95
Rebello Joseph.....	Land Appraiser	83
Redgrave Charles Alfred Hurst.	5th Clerk, Central Police Office.....	56
Redman Edward A.	Telegraph Operator, Legislative Assembly, afterwards Wagga Wagga, 123-130	
Redriff Walter.....	Junior Telegraph Operator, Hill End	127
Reece James David	2nd Class Draftsman, Survey Office	85
Reeve Henry	Clerk, Government Savings Bank	132
Reeve Joseph	Gunnery Instructor, Naval Brigade, Sydney	45
Reeve Edward	Coroner, Brisbane Water	54
	Police Magistrate, Gosford	57
Reeve Edwin H.	Second Printer, Stamp Branch, Government Printing Office	75
Reid George A.	Station-master, Electric Telegraph Branch, Gulgong	127
Reid George Houston.....	Clerk of Correspondence, Treasury	71
	Secretary to the Attorney General	68
Reid Samuel Cameron.....	Clerk, Shipping Master's Office.....	76
Reid Richard M.	Junior Operator, Telegraph Station, Cowra, afterwards Muswellbrook. 126-128	
Reid Clunes Gordon	Inspector of Distilleries.....	74
Reilly R. H.....	Extra Clerk, Treasury.....	70
Remington John Cochrane	1st Lieutenant, Volunteer Artillery	39
Rennie Edward Alexander	Inspector of Accounts, Audit Office	23
Rennie Charles Edward...	2nd Class Draftsman, Survey Office	85
Renwick Arthur	Member of the Medical Board.....	31
Reynolds John Henry Haviland.	Meteorological Observer, Sydney Observatory.....	65
Rice Beatrice M.....	Junior Telegraph Operator, Paddington	123
Rich Rev. Charles H.....	Church of England Chaplain, Gaol, Darlinghurst, Sydney	26
Rich Hubert Plunkett.....	Clerk, Department of Lands	82
Rich Henry Ludlow Osborne,	Clerk, Department of Lands	82
Rich Horace Plunkett....	2nd Class Draftsman, Survey Office	85
Richards Thomas.....	Government Printer and Inspector of Postage Stamps.....	75
	Major, 1st Regiment Volunteer Infantry	40
Richards Thomas William Morgan.	Clerk, Council of Education Office	62
Richards Henry	Vaccinator, Hunter's Hill	32
Richards James	Junior Telegraph Operator, Tenterfield	129
Richards William Nicholas	Vaccinator, Narrabri	32
Richards Thomas Morton..	Coroner, Shoalhaven	55
Richardson Alfred Augustus.	Entry Clerk, Free Public Library.....	64
Richardson Alexander.....	Storekeeper, Railway Department.....	106
Richardson John James ..	3rd Class Draftsman, Survey Office	85
Richardson R.	Electric Telegraph Construction Overseer	131
Richardson Frederick	Railway Station-master, Spring Hill.....	105
Richardson William Lyle..	Coroner, Wentworth	55
	District Registrar of Births, Deaths, &c., Wentworth	22
	Registrar of the District Court, Wentworth	53
	Police Magistrate, &c., Wentworth	60
	Crown Lands Agent, Wentworth	88
Richardson John S.....	Clerk, General Post Office	117
Richardson Harry	Chief Clerk, Traffic Manager's Office, Railway Department, Sydney	104
	Station-master and Inspector, Blacktown	65
Richardson John Soame (Col.)	Commandant of the Permanent and Volunteer Military Forces... 39	
	President of Commissioners of Defence from Foreign Aggression. 37	
	President of the Board for inspecting and maintaining the Supply of Colonial Warlike Stores. 79	
Richardson T. L.....	Sheep Director, Cannonbar	98
Riddell Robert Henry.....	Sheep Director, Urana.....	100
Riddell Charles Edward...	Private Secretary to His Excellency the Governor.....	14
Ridley George S.	Clerk, Lands Office	84
Ridley William, junior ..	Clerk, Registrar General's Office	20
Ridley Frederick William.	Sheep Inspector, Warialda.....	97
Rigg Thomas S. J.	Clerk, General Post Office	116
Rigney Venble. John J. ...	Minister of the Roman Catholic Church, Camden.....	135
	Roman Catholic Chaplain, Lunatic Asylum, Parramatta	36

Names of Officers.	Office.	Page.
Riley John Rutherford	Vaccinator and Government Medical Officer, Grenfell	32-34
Riley V. B.	Mining Surveyor, Boorowa	94
Ring Wallace Adams	Cashier, General Post Office	116
Riordon Rev. William Joseph.	Roman Catholic Chaplain, Gaol, Berrima	27
Roberts Charles Fyshe	Commanding New South Wales Artillery	37
	Commanding Volunteer Artillery Forces	38
	Commissioner of Defence from Foreign Aggression	37
	Member of Board for inspecting, &c., supply of Colonial Warlike Stores.	79
Roberts J. N.	Construction Overseer, Electric Telegraph Department	132
Roberts Alfred	President of the Board of Visitors to Lunatic Asylums	35
	Trustee, Australian Museum	64
Roberts George J.	Inspector of Lines, Murrumburrah to Wagga Wagga, and Railway Station-master.	105
Roberts George S.	Telegraph Station-master, Terrara	130
Roberts James	Clerk, Occupation of Lands Office	96
Roberts William	Clerk, Store Branch, Railway Department	107
Robertson Ailan	Printer, Stamp Branch, Government Printing Office	75
Robertson Sir John (K.C.M.G.)	Member of the Council of Education	62
Robertson Angus	Sheep Director, Urana	100
Robertson J. J.	Mining Surveyor	96
Robertson William	3rd Locker, Customs, Sydney	72
	21st Landing-waiter, Customs, Sydney	72
Robertson Henry	Land Valuer, Railway Department	102
Robertson James John	Railway Station-master, Quirindi, afterwards Tamworth	106
Robertson Louis	Draftsman, Colonial Architect's Department	109
Robertson Richard Windeyer.	Clerk of Select Committees, Legislative Assembly	15
Robertson Duncan	Sheep Director, Naranderra	99
Robertson Walter Graham	1st Lieutenant, Volunteer Artillery	39
	Lieutenant, Wollongong Volunteer Rifles	43
Robertson William Foxton	Registrar of the District Court, Braidwood	52
	Clerk of Petty Sessions, Braidwood	56
	Crown Lands Agent, Braidwood	87
	District Registrar of Births, Deaths, &c., Braidwood	21
	Warden's Clerk, Braidwood	93
Robertson John	Engineer and Master of the "Clarence" Dredge	114
Robins Alfred G.	Station-master, Electric Telegraph Branch, Armidale	124
Robins Charles J.	Station-master, Telegraph Office, Brewarrina	125
Robinson Charles	Secretary to Commissioners, Paris Universal Exhibition	46
	Secretary to Commissioners to inquire into and report upon the working and administration of Lands and Survey Departments.	90
	Secretary, Australian Museum	64
Robinson Samuel	Description Writer, Survey Office	86
Robinson Samuel	Police Magistrate, Young	60
	Visiting Justice, Gaol, Young	29
	Coroner, Young	55
	Warden, Department of Mines	92
Robinson Sir Hercules George Robert, G.C.M.G.	Governor and Commander-in-Chief	14
Robinson John	Clerk, General Post Office	117
Robinson William	Accountant and Chief Clerk, Office of Agent General for the Colony	45
Robinson Frederick Thomas	District Registrar of Births, Deaths, &c., Patrick's Plains	22
Robinson Frank	Railway Station-master, Willow Tree, afterwards Quirindi	106
Robinson George Jocelin	Clerk, Brands Office	97
Robinson George Cayley	2nd Class Draftsman, Survey Office	85
Robinson Henry	Electric Telegraph Operator	121
Robison Hugh	Inspector of Public Charities	37
Roche Rev. James Paul	Minister of the Roman Catholic Church, Campbelltown	135
Rodd Clement Tremaine	Custodian of Plans, Survey Office	86
Rodd George P.	Road Superintendent	108
Rodgers Thomas	Inspector of Magazines	76
Rodgerson W. C.	Warden's Clerk, Glen Innes	93
	District Registrar of Births, Deaths, &c., Wellingrove	22
Rodgers Francis Edward	Crown Prosecutor, Sydney	68
Rogers T.	Mining Registrar, Reedy Flat	94
Rogers Robert	2nd Assistant Parliamentary Librarian	15
Rogers Rev. Edward	Minister of the Church of England, Sydney	134
	Acting Church of England Chaplain, Permanent Military Force	38
Rogers William Henry	Cadet, Council of Education Office	62
Rolleston Christopher	Auditor General	23
Rolleston John Charles	Cadet, Department of Harbours and River Navigation	110
Rooke Frederick Charles	Clerk, Treasury	71
Roper John	Sheep Inspector, Merriwa	97
Rorison James	Engineer and Master of the Steam Dredge "Hunter"	112
Rorison J.	Engineer Surveyor, Macleay River	77
	Engineer Surveyor, Newcastle	77
Rose D. M.	Sheep Director, Walgett	100
Rose William F.	Cadet, Department of Harbours and River Navigation	110
Rose Alfred Cyrus Spencer	Commissioner of Conditional Purchases	83
Roseby Herbert E.	Cadet, Public Works Office	102
Ross David	Sheep Director, Braidwood	98
Ross Robert Mander	Principal Bookkeeper, afterwards Clerk of Correspondence, Treasury.	70-71
Ross Rev. Duncan	Presbyterian Minister, Muswellbrook	136
Ross Andrew (M.D.)	Vaccinator, Molong	32
	Medical Officer, Molong	34

INDEX.

li

Names of Officers.	Office.	Page.
Ross Charles C.	Junior Telegraph Operator, Grafton.....	126
Ross Alexander	Sheep Director, Hume.....	99
Rossbach John Adolf.....	Cadet, Roads Department	108
Rossbach William	Cadet, Department of Harbours and Rivers.....	110
Rossi Francis Robert Louis	Sheep Director, Goulburn	99
	Registrar of the District Court, Goulburn	52
Rothery William Montague	Sheep Director, Carcoar	98
Rothwell Richard.....	Bridge Superintendent, Roads Department.....	108
Rotton Henry	Sheep Director, Bathurst	98
Rouse George	Sheep Director, Mudgee.....	99
Row William Rooke	Inspector of Station Accounts, Railway Department (Traffic Audit Branch).	106
Rowe Percy	Junior Operator, Telegraph Station, Berrima.....	124
Rowe J. P.	Sheep Director, Condobolin	98
Rowe Thomas	Captain, Engineer Corps, Volunteer Rifles	42
Rowland Marian	House Matron, Industrial School for Girls.....	24
Rowlands William H.....	Telegraph Station-master, Bundarra	125
Rowlandson John	Land Appraiser	83
Rowley Douglas Horsley.....	Clerk, afterwards Storekeeper and Schoolmaster, Gaol, Parramatta	26
Rowling Robert Lennox Iccely.....	Clerk, Office of Inspector General of Police.....	24
Rowling Leslie.....	Clerk, Government Asylums for the Infirm and Destitute	37
Rowling Allan	3rd Clerk, District Court Office, Sydney.....	52
Rowling Charles Edward.....	Vaccinator and Medical Officer, Mudgee.....	32-34
	Visiting Surgeon to the Gaol, Mudgee.....	33
	Honorary Assistant Surgeon, Mudgee Volunteer Rifles.....	44
Rowling Edward Liscombe	Police Magistrate and Clerk of Petty Sessions, Bullah Delah	56
	Coroner, Bullah Delah	54
	Warder, Mining Department.....	93
Rowsell Rev. Julian H.	Church of England Chaplain, Hospital for the Insane, Gladesville	35
Roxburgh H.	Crown Lands Agent, Dubbo	88
Rucker Henry John	3rd Clerk, Customs, Sydney	71
Rumsey Edward	Clerk of Works, Colonial Architect's Office	109
Rundle J. B.	Sheep Director, Sydney	100
Rundle George Edward	Coroner, Tenterfield	55
Rusden Francis Townsend	Police Magistrate, Warialda	60
	Coroner, Warialda	55
Rusden Alfred W.	Coroner, Glen Innes	54
Rush William C.	Telegraph Operator, Sydney	121
Rush James	Sub-Inspector of Police	25
Rush William Clay.....	Clerk, Customs, Newcastle.....	73
Russell Frank	Telegraph Station-master, Corowa.....	125
Russell F.	Mining Surveyor	95
Russell James	Sheep Director, Hay	99
Russell Macnamara.....	Draftsman, Railway Department (Engineer-in-Chief's Branch)	103
Russell Bourne, jun.....	Harbour Master, Twofold Bay	78
Russell Frederick Brown.....	Police Magistrate, Queanbeyan.....	59
	District Registrar of Births, Deaths, &c., Queanbeyan	22
Russell John	Member of Sydney International Exhibition Commission.....	47
Russell George.....	Representative Commissioner, Paris Universal Exhibition.....	46
Russell Peter Nicol.....	Representative Commissioner, Paris Universal Exhibition.....	46
Russell Henry Chamberlaine.....	Government Astronomer.....	65
	Trustee, Australian Museum.....	64
Russell John Edmund Miller.....	Lithographic Draftsman, Survey Office	86
Russell Reginald L. de C.	Clerk, General Post Office.....	116
Rutherford Robert	Line Repairer, Electric Telegraph Department	122
Rutherford Robert	Clerk, Treasury	70
Ruthven E. S.	Construction Overseer of Electric Telegraphs.....	131
Rutter R. C.	Construction Overseer of Electric Telegraphs.....	131
Rutter Frederick William	1st Class Draftsman, Surveyor General's Office	85
Rutter Robert Champley.....	Vaccinator and Medical Officer, Parramatta	32-34
	Visiting Surgeon, Destitute Asylum and Orphan Schools, Parramatta.....	33
	Surgeon, Erysipelas Hospital, Parramatta	47
Ryan E.	Construction Overseer of Electric Telegraphs.....	131-132
Ryan Thomas H.	Station-master, Electric Telegraph Branch, Coonabarabran.....	125
Ryan Rev. Michael H.....	Roman Catholic Chaplain, Lunatic Asylum for Imbeciles, &c., Newcastle.....	36
Ryan J.	Mining Surveyor	95
Ryan Walter W.	Clerk, General Post Office	117
Ryan John Sylvester	Corresponding Clerk, Department of Audit.....	23
Ryeland James	Inspector of Police	24
Rygate Robert.....	Government Medical Officer, Wellington.....	34
	Vaccinator, Wellington	33
	Coroner, Wellington	55
Ryrie J. C.	Sheep Director, Dubbo	99
Ryrie David	Sheep Director, Cooma	98
S		
St. John Edward Beauchamp.....	Aide-de-Camp to His Excellency the Governor	14
St. Julian Charles.....	11th Landing-waiter, Customs, Sydney	72
Sadlier Nicholas	Sheep Director, Menindie	99
Salmon J. B.	Bailiff, Warden's Court, Young	94

Names of Officers.	Office.	Page.
Salmon Alexander	Copying Clerk (Temporary), Railway Department.....	103
Salmon T. A.	District Registrar of Births, Deaths, &c., Waterloo	21
Salwey Alfred	Clerk, Lands Department	82
Sam Seth	Vaccinator, Forbes	32
	Government Medical Officer, Forbes	34
Samuel Saul, C.M.G.	Postmaster General.....	116
	Member of Sydney International Exhibition Commission.....	47
	Member of Paris Universal Exhibition Commission	46
Samuel Lewis	Cadet, Harbours and River Navigation	111
Samuel H. S.	Cadet, Naval Brigade.....	45
Sanders H. R.	Crown Lands Agent, Coonamble	87
Sanderson Charles	Inspector of Police	24
Sangster John	1st Class Draftsman, Survey Office	85
Saunders Charles James ..	2nd Class Draftsman, Survey Office	85
Savage Arthur Henry Patrick.	2nd Lieutenant, New South Wales Artillery	38
Savage Edwin George.....	Meteorological Assistant, Sydney Observatory	65
Sawtell E.....	Mining Surveyor	96
Scarr Percy	Road Superintendent	108
Scarr John Agar	Shorthand Writer, Legislative Council.....	14
Schleicher Adelbert.....	1st Class Surveyor	84
	Mining Surveyor	95
Scholes Richard Battersby	Assistant Medical Officer, Lunatic Asylum, Parramatta.....	35
Schrader Christian Ulrich Delft.	Vaccinator, Walcha.....	33
Schumack S.....	Mining Registrar, &c., Mitchell's Creek	94
Schwartzkoff Henry.....	Cadet, Railway Office	52
Scobie John	Assistant Official Postmaster, Newcastle	120
Schomberg J. N.	Shipwright Surveyor, Clarence River	77
Scotland David.....	Railway Station-master, Windsor	105
Scott Rev. William (M.A.)	Warden of St. Paul's College, Sydney.....	137
Scott David Charles Frederick.	Police Magistrate, Sydney	56
Scott William	Sheep Director, Bourke	98
Scott George F.	Assistant Clerk of Petty Sessions, Newcastle	59
	Registrar of the District Court, Newcastle	52
Scott Francis	Operator, Telegraph Station, Macleay River Heads, afterwards Frederickton.	127-126
Scott Hugh Alexander ...	Clerk, Council of Education Office	62
Scott A. W.	Trustee, Australian Museum.....	64
Scott Alexander Walker...	Land Titles Commissioner	20
Scott W. M.	Station-master, Electric Telegraph Branch, Casino.....	125
Scott Helenus	Police Magistrate, Newcastle	59
Scott Walter	Vaccinator, West Maitland.....	32
Scott Richard	Surveyor, Department of Harbours and River Navigation	111
Scott J. H. L.	Crown Lands Agent, Coonamble	87
Scott W. D.	Sheep Director, Port Macquarie.....	100
Scott James W.	Sheep Director, Warialda	100
Scott William	Locomotive Overseer, Railway Department.....	103
Scougall Henry	Road Superintendent	108
Scowcroft James	Official Postmaster, Redfern	118
Scrutton Joseph Edward ..	Clerk, Department of Audit	23
Scrymgour Malcolm	Locker, Inland Bonded Warehouse, Bourke	74
Seale Michael	1st Clerk, Railway Store Branch	106
Seale Edward	Clerk, Traffic Audit Branch, Railway Department.....	106
Seale John	Assistant Traffic Auditor, Railway Department	106
Secombe G. T.	Mining Surveyor, Muswellbrook	95
Sedgwick William Gillet...	Vaccinator, Newtown	31
Segol Louis	Vaccinator, Inverell	32
	Government Medical Officer, Inverell	34
Self George W.	Junior Telegraph Operator, Bourke.....	124
Selkirk Robert.....	Cadet, Council of Education Office	62
Sellman James	Foreman of Magazine, Gulgong	76
Selwyn Rev. Arthur E. ...	Minister of the Church of England, Clarence River	134
	Church of England Chaplain, Lunatic Asylum for Imbeciles, Newcastle.	36
Senior Frank.....	Member of Board of Pharmacy	80
Sentis Louis Francois	Representative Commissioner, Paris Exhibition.....	46
Seton Ronald	Telegraph Station-master, Smithtown	129
Seymour Edward B.	Clerk, General Post Office	116
Shadforth Henry John Tudor.	Usher of the Black Rod, Legislative Council	14
Shairp Stephen G.	Clerk, Roads Department	107
Shannahan Thomas.....	Sheep Director, Queanbeyan	100
Shannon John M.	Junior Operator, Telegraph Station, Young.....	131
Sharkey John	Photo-lithographer and Lithographic Printer, Government Printing Office.	75
Sharp Frederick William..	Assistant Lithographer, Survey Office	86
Sharp George William ...	Lithographic Engraver, Survey Office	86
Sharp Rev. W. H. (M.A.)	Warden, St. Paul's College	137
Sharpe Rev. Thomas	Minister of the Church of England, Bathurst.....	135
Sharpe Neil	Telegraph Station-master, Lismore	127
Sharpe J.	Pilot in charge of Moorings, Gerringong.....	79
Sharpe Ernest Augustine Lambie.	Coroner, Hill End	55
Sharpe Ernest A. L.	Warden, Department of Mines.....	92
Shaw James Francis	Coroner, Newcastle	55

INDEX.

liii

Names of Officers.	Office.	Page.
Shaw William Edward	Coroner, Raymond Terrace	55
Shaw William E.	Telegraph Station-master, Raymond Terrace	129
Sheaffe George Henry	1st Class Surveyor	84
Sheaffe Percy Hale	Captain, Ulladulla Volunteer Rifles	41
	Coroner, Dowling	54
Sheahan Jeremiah	Sheep Inspector, Gundagai	97
Sheahan John Joseph	Clerk, Survey Office	87
Sheahan Michael John	Clerk of Petty Sessions, Tumberumba	59
Sheehy Very Rev. Samuel J. A.	Vicar General of Roman Catholic Church	135
Sheldon William	Vaccinator, Armidale	31
	Government Medical Officer, Armidale	34
	Visiting Surgeon, Gaol, Armidale	33
Shelton Robert	Supernumerary Draftsman, Survey Office	86
	3rd Class Draftsman, Survey Office	86
Shepherd Christopher	Operator, Electric Telegraph Department	121
Sheppard Charles	Assistant Draftsman, Harbours and Rivers Department	110
Sheppie Henry Thomas	Wharfinger, Newcastle (Railway Department)	105
	Assistant Clerk, Department of Harbours and Rivers	110
Sheridan John	Telegraph Line Repairer, Dungog	126
Sheridan Robert Joseph	Chief Clerk, Wages Branch, Railways	102
Sheridan Very Rev. John F.	Minister of the Roman Catholic Church, Surry Hills, Sydney	135
	Member of the Immigration Board	30
Sherriff John D.	Telegraph Station-master, South Grafton	94
Sherriff R.	Bailiff, Warden's Court, Gunning	129
Shiell Henry (J.P.)	Coroner, Sydney	54
Shiels John	Government Medical Officer, Bega	34
	Vaccinator, Bega	31
	Coroner, Bega	54
Shobert W. A.	Mining Surveyor (Cootamundra)	95
Shorter William Edgar	Shipping Master, Sydney	76
Shottin J.	Bailiff, Warden's Court, Nerrigundah	94
Siddins Joseph	Superintendent, Macquarie Light-house, South Head	78
Simm Rev. S.	Minister of the Church of England, Dungog	134
Simmatt Carl	Assistant Instrument Fitter, Electric Telegraph Department	122
Simms Arthur Hunter	Dispenser, Lunatic Asylum, Parramatta	35
Simons John	Clerk of Petty Sessions, Tenterfield	59
	District Registrar of Births, Deaths, &c., Tenterfield	22
	Crown Lands Agent, Tenterfield	88
	Warden's Clerk, Tenterfield	93
	Registrar of the District Court, Tenterfield	53
Simpkins Maurice L.	Assistant Draftsman, Railway Department	104
Simpkins Seymour G.	Surveyor, Railway Department	104
Simpson William Henry	1st Lieutenant, Volunteer Artillery	39
Simpson W. B.	Licensed Surveyor	96
Simpson William	Railway Station-master, Homebush	105
Simpson William Palgrave	Clerk, Money Order Office	120
	Ledger-keeper, Government Savings' Bank	132
Sims George	Clerk, General Post Office	117
Sinclair Thomas	Booking Clerk, Electric Telegraph Department	121
Sinclair Duncan	Sheep Director, Hay	99
Single Arthur J. C.	Road Superintendent	108
Single Henry	Sheep Inspector, Mudgee	97
Single Joseph Daniel	Sheep Director, Windsor	100
Singleton James	Superintendent of Police	24
Sircom George Kingsbury	Clerk, Council of Education Office	62
Skarrett Frances E.	Junior Operator, Electric Telegraph Branch, Ashfield	123
Skeldon David	Junior Telegraph Operator, Tenterfield	129
Skellett Thomas	Clerk, Wages Branch, Railway Department	102
Skinner John	Chief Surveyor and Draftsman, Department of Harbours and River Navigation	109
Skinner H. A.	Construction Overseer, Electric Telegraph Department	131
Skinner J.	Mathematical Tutor, St. John's College	137
Skinner Joseph Henry	Assistant Master, Sydney Grammar School	137
Skinner Alexander	Government Medical Officer, Wellingrove	34
	Vaccinator, Wellingrove	33
Slade John James	2nd Class Draftsman, Surveyor General's Office	85
Slater Oliver Thomas	Vaccinator, Narrandera	32
	Government Medical Officer, Narrandera	34
Slattery Thomas Michael	Registrar, Divorce and Matrimonial Causes Court	51
	Prothonotary and Curator of Intestate Estates	50
Slattery Rev. Patrick	Roman Catholic Chaplain, Temporary Lunatic Asylum, Cooma	37
Slattery James	Telegraph Station-master, Stroud	129
Slatyer Charles H.	Draftsman, Colonial Architect's Office	109
Slatyer Hampton	Clerk, Railway Department	106
Slee Wm. Henry John	Inspector of Mines	92
Sloan William John	Supernumerary Lieutenant, Maitland N.S.W. Volunteer Infantry	43
Sloane Alexander	Sheep Director, Corowa	98
Smail John M.	Road Superintendent	108
Small William	Gaoler, Berrima	27
Small Sarah	Matron, Gaol, Berrima	27
Small Samuel	Master of Steam-launch "Sea Breeze"	76
Small John Thomas	3rd Class Draftsman, Survey Office	85
Small Robert	5th Clerk, Customs, Sydney	71
Small William	Sheep Director, Grafton	99
Smart J. R.	Sheep Director, Moree	99
Smart Thomas Ware	Representative Commissioner, Paris Universal Exhibition	46
Smedley S.	Bailiff, Warden's Court, Ironbarks	94

Names of Officers.	Office.	Page.
Smith Thomas Arkell	Police Magistrate, Trunkey Creek and Tuena	59
	Coroner, Trunkey Creek and Tuena, afterwards Rockley	55
	Warden, Mining Department	92
Smith F.	Clerk, Lands Office	84
Smith W. G.	Assistant Clerk of Petty Sessions, Maitland	58
Smith John (M.D.)	President of the Council of Education	62
	Professor of Physics, University of Sydney	136
	Member of Sydney International Exhibition Commission	47
Smith Henry R.	Senior Inspector of Sugar Refineries	74
Smith Harold Selwyn	Agreements Validating Officer, Christchurch, New Zealand	143
Smith George	Inspector of Conditional Purchases	83
Smith James	Vaccinator, Liverpool and Parramatta	32
Smith Charles Edward	Police Magistrate and Clerk of Petty Sessions, Narrabri	59
	Agent for the Sale of Crown Lands, Wee Waa	88
	District Registrar of Births, Deaths, &c., Narrabri	22
	Coroner, Wee Waa	55
	Registrar of the District Court, Narrabri	53
Smith James	Honorary Assistant Surgeon, No. 2 Highlanders	44
Smith Robert	Exhibitor and Salesman of Public Maps, Surveyor General's Office	86
Smith William	Assistant Brigade Clerk, Permanent and Volunteer Military Forces	39
Smith Thomas Henry	1st Class Surveyor	84
Smith Sydney	Chief Clerk, Traffic Branch, Railway Department	104
Smith Sydney	Assistant Official Postmaster, Bathurst	119
Smith Sydney	Assistant Instrument Fitter, Electric Telegraph Department	122
Smith Thomas	Clerk, Treasury	70
Smith Thomas A.	Sheep Director, Grafton	99
Smith Edmund Frederick	Coroner, Wollongong	55
Smith Charles Graham	Police Magistrate and Clerk of Petty Sessions, Dungog	57
	District Registrar of Births, Deaths, &c., Dungog	22
	Crown Lands Agent, Dungog	88
	Coroner, Dungog	54
	Mining Registrar, Dungog	94
Smith Robert G.	Assistant Official Postmaster, Yass	120
Smith Herbert A.	Telegraph Station-master, Warrah	130
Smith Frederick W.	Junior Operator, Telegraph Station, West Maitland	127
Smith T. L.	Bailiff of Warden's Court, Hill End	94
Smith Archibald Scott	District Registrar of Births, Deaths, &c., Gundagai	22
Smith Rev. Thomas	Honorary Chaplain, Volunteer Military Forces	40
	Church of England Chaplain, Gaol, Bathurst	27
Smith Colville	Station-master, Electric Telegraph Branch, Gundagai	127
Smith William B.	Railway Station-master, Muswellbrook	106
Smith F. J.	Sheep Director, Molong	99
Smith Rev. Edward	Minister of the Church of England, Campbelltown	134
Smith James Herbert	6th Clerk, Crown Solicitor's Office	68
Smith John M'Garvie	1st Lieutenant, 1st Regiment Volunteer Infantry	42
Smith John	Operator, Telegraph Station, Albury	124
Smith Charles	Master, Pilot Steamer "Captain Cook"	78
Smith Samuel Henry	Sheep Director, Forbes	99
Smith Henry Arkell	Clerk of Petty Sessions, Campbelltown	57
	Police Magistrate, Waratah	60
	Registrar of the District Court, Campbelltown	52
	Crown Lands Agent, Campbelltown	87
Smith John C. J.	Station-master, Electric Telegraph Branch, Wollombi	131
Smith John Govett	Government Vaccinator, Grafton and Richmond River	32
	Government Medical Officer, Richmond River	34
Smith John K.	Telegraph Operator, Head Office	122
Smith Rev. Pierce G.	Minister of the Church of England, Canberra, Queanbeyan	135
Smithers George Henry T.	Clerk of Petty Sessions, Cooma	57
	Registrar of District Court, Cooma	52
	District Registrar of Births, Deaths, &c., Cooma	21
	Crown Lands Agent, Cooma	87
	Mining Registrar, Cooma	93
Smyth William	2nd Tide Surveyor, Customs, Sydney	72
Smythe P.	Warden's Clerk, Kiandra	93
Snape Philip	Police Magistrate, &c., Sofala	59
	Coroner, Sofala	55
Soares Rev. Alberto D.	Minister of the Church of England, Queanbeyan	135
Somerville Rev. J.	Minister of the Wesleyan Methodist Church, Manning River	136
South Samuel	Assistant Instrument Fitter, Electric Telegraph Department	122
Spain Staunton	Lieutenant, Naval Brigade	45
Spalding Warner Wright	Major, New South Wales Artillery	37
	Adjutant, Old Volunteer Artillery	39
Spark James Lyon	Junior Assistant Draftsman, Registrar General's Office	21
Sparke George	Sheep Director, Casino	98
Sparks R. T.	Clerk, Treasury	71
Speed-Andrews Harry	Emigration Officer, Office of Colonial Agent General in London	45
Howe	Agreements Validating Officer, London	143
Spencer Edmund S. V. ...	Clerk of Works, Colonial Architect's Department	108
Spencer John	Visiting Surgeon, Gaol, Port Macquarie	33
Spencer Thomas	Vaccinator, Port Macquarie	32
	Government Medical Officer, Port Macquarie	34
Spencer John Borghurst	18th Landing-waiter, Customs, Sydney	72
Spink William	Surgeon to the Gaol, Maitland	33
Springthorpe Arthur	Clerk, Railway Department	102
Spruson Joseph John	Reader, Government Printing Office	75
Spry James Monsell	Draftsman, Triangulation Staff, Survey Office	87
Spurway James S.	Clerk, Railway Department	102

INDEX.

lv

Names of Officers.	Office.	Page.
Squire Blanch	Telegraph Operator, Warkworth	130
Stace George Henry	Gaoler, Maitland	27
Stace Helen Kandiana	Matron, Gaol, Maitland	27
Stacey Henry Peter	Lieutenant, Singleton Volunteer Rifles	43
Stack George Bagot	Clerk, Colonial Architect's Department	109
	2nd Lieutenant, 2nd Regiment Volunteer Infantry	42
Stack Edward	Clerk in Charting Branch, Survey Office	86
Stack John	1st Class Draftsman, Surveyor General's Office	85
Stack Richard F.	Surveyor, Harbours and Rivers Department	111
Stackhouse Thomas	Trustee, Australian Museum	64
Stafford John	Railway Station-master, Picton	105
Stafford Joseph Davies	Coroner, Bombala	54
Stanger Joseph Carey	Coroner, Bathurst	54
Stapleton Thomas	Dispenser, Parramatta Asylum for Infirm and Destitute, and Gaol	34
Stapylton Richard Myles	Junior Telegraph Operator, Cooma	125
Statham Edwin Joseph	Assistant Engineer in the Field, Roads Department	107
Steel John	Accountant, Government Printing Office	75
Steel Watson Augustus	Coroner, Rockley	55
	Construction Overseer, Electric Telegraphs	131
	Police Magistrate and Clerk of Petty Sessions, Menindie	59
	Assistant District Registrar of Births, Deaths, &c., Menindie	22
Steel Thomas Robert	Clerk, Roads Department	107
Steel Samuel	Book-keeper and Cashier, Department of Harbours and River Navigation	109
Stenhouse Robert	Custodian of Plans, Railway Department	104
Stephen Sir Alfred, Knt., C.B., K.C.M.G.	Member of the Council of Education	62
	Vice-President of Paris Universal Exhibition Commission	46
	Trustee, Hyde, Phillip, and Cook Parks	90
	Vice-President of Sydney International Exhibition Commission	47
Stephen Alfred Farish Hindmarsh.	Clerk, Department of Audit	23
Stephen Rev. Alfred Hewlett (B.A.)	Minister of the Church of England, Redfern, Sydney	134
Stephen Louise F.	Official Postmistress, Manly	118
	Junior Telegraph Operator, Manly	123
Stephen William Wilberforce.	Under Secretary, Lands Department	82
	Member of the Board for opening Tenders for Runs	89
Stephen Amelia Montague	Assistant District Registrar of Births, Deaths, &c., Manly	21
Stephens R. D.	Surveyor, Railway Department	104
Stephens William John (M.A.)	Trustee, Free Public Library	64
Stephenson George	Clerk, Wages Branch, Railway Department	102
Stephenson Lawrence	Assistant Master, Sydney Grammar School	137
Stephenson James	Sub-Inspector of Police	24
Stevens Thomas	1st Class Draftsman, Survey Office	85
Stevenson Robert	Forest Ranger, Cowra	97
Stevenson John Richmond	Operator, Telegraph Station, West Maitland	127
Stewart John	Trustee, Free Public Library	64
Stewart Neil	Visiting Justice, Gaol, Darlinghurst	26
Stewart Thomas	Pilot, Bellinger River	79
Stewart William Robert	4th Clerk, Central Police Office, Sydney	56
Stillwell Charles	Vaccinator, Morpeth	32
Stilwell Alfred W.	Road Superintendent	108
Stirton Rev. Thomas	Presbyterian Minister, Paterson	136
Stobo Edye H.	Clerk, Lands Department	83
Stokes Charles Frederick	2nd Lieutenant, Newcastle Volunteer Infantry	44
	Member of the Local Marine Board, Newcastle	77
Stone Thomas H.	Official Postmaster, Albury	119
Stopps Arthur James	1st Class Draftsman, Survey Office	85
Stoyles Charles E.	Telegraph Station-master, Bateman's Bay, afterwards Kiandra	125-127
Street Philip W.	Inspector of Conditional Purchases	83
Street Richard	Assistant Instrument Fitter, Electric Telegraphs	122
Strickland Josiah	Sheep Director, Forbes	99
Strong Joseph Hamilton	Junior Clerk, Council of Education Office	62
Strong Henry William	Captain, Commanding Public School Cadet Corps, Volunteer Military Forces	39
Strong William Edward	Surgeon and Superintendent, Asylum for the Infirm and Destitute, Liverpool	37
	Vaccinator and Medical Officer, Liverpool	32-34
Stuart Alexander	Agreements Validating Officer, Glasgow, Scotland	143
Stuart C.	Mining Surveyor	95
Stubbin John Newman	4th Landing-waiter, Customs, Sydney	72
Stuckey George Robert Hamilton.	Acting Officer of Customs, Upper Murray	73
Studdert Robert	Clerk of Petty Sessions, Paterson	59
	Agent for the Sale of Crown Lands, Paterson	88
Sturrock William	Clerk, Lands Office	84
Sudgen Selwyn Schofield	Clerk, Office of Agent General for the Colony	45
Sullivan J. J.	Temporary Draftsman, Department of Mines	92
Sullivan H. B.	Temporary Draftsman, Department of Mines	92
Sullivan R. (Constable)	Warden's Clerk, Barrington	93
Sutherland John	Secretary for Public Works	102
Suttor Francis Bathurst	Minister of Justice and Public Instruction	50
Suttor William Henry	Secretary for Mines	92
	Member of Sydney International Exhibition Commission	47
Swift John	Locker, Customs Station, Brewarrina	74
Swire Herbert	Clerk, Post Office	118
Swyny John	Sub-Collector of Customs, Albury	73

Names of Officers.	Office.	Page.
Sydenham William	Railway Station-master, Rooty Hill	105
Sykes Henry J.	Operator, Electric Telegraph Department	121
Symonds Thomas Cunning- ham Lewis.	Draftsman for preparing County References, Survey Office	86
Synge M. J.	Mining Registrar, Boorook.....	93
T		
Talbot Paul	Captain No. 2 Battery Volunteer Artillery	38
Tarrant Harman John.....	Vaccinator, Kiama	32
Tarrant William O'Calla- ghan.	Vaccinator, Kiama	32
Tassell Robert	Vaccinator, Bathurst	31
Tate George B.....	Telegraph Station-master, Deep Water, afterwards Junior Operator Armidale.	126-124
Taunton James Edward Doidge.	Lieutenant, New South Wales Artillery	38
Taylor Josiah	Adjutant, N.S.W. Regiment Volunteer Artillery	39
Taylor Alexander.....	1st Class Draftsman, Survey Office	86
Taylor Henry Charles.....	Telegraph Station-master, Muswellbrook.....	128
Taylor Ernest B.....	Clerk, Department of Mines	92
Taylor Charles.....	Ticket Clerk, Railway Office	102
Taylor James John	Medical Superintendent, Lunatic Asylum, Parramatta	35
Taylor G.	5th Clerk, Colonial Secretary's Office	20
Taylor G. F.	Bailiff, Warden's Court, Araluen	94
Taylor James	Bailiff, Warden's Court, Braidwood	94
Teece George Thomas Arthur.	Pilot, Newcastle	78
Teece Samuel Henry	Clerk, Survey Office	87
Teece John Jeremiah	Clerk, Department of Mines	92
Tegg James Thomas	Crown Prosecutor, Western District.....	68
Telford George.....	2nd Lieutenant, Maitland Volunteer Infantry.....	42
Temple Charles	Sheep Director, Young	100
.....	Vaccinator, Young	33
.....	Government Medical Officer, Young.....	34
.....	Visiting Surgeon to the Gaol, Young	33
Ternen G.	Clerk, Store Branch, Railway Department	107
Thirkell Charles Fredk. B.	Assistant Ordnance Storekeeper	76
.....	Secretary to Board for Inspecting, &c., Colonial Warlike Stores ..	79
.....	Lord Bishop of Goulburn	135
Thomas Right Rev. Mesac	Captain, Penrith Corps, Volunteer Rifles.....	41
Thomas James Henry.....	Assistant Clerk of Petty Sessions, Grafton	57
Thomas C. W.	Clerk of Petty Sessions, Grafton	57
Thomas William Henry...	District Registrar of Births, Deaths, &c., Grafton.....	22
.....	Agent for the Sale of Crown Lands, Grafton	88
.....	Mining Registrar, Grafton.....	94
.....	Registrar of District Court, Grafton	54
Thomas William Smith ...	Honorary Assistant Surgeon, Wollongong Volunteer Rifles.....	44
Thomas David	Telegraph Operator, Head Office	122
Thomas Cave	Representative Commissioner, Paris Universal Exhibition	46
Thomas Edwin Robins ...	Draftsman, Railway Department (Engineer-in-Chief's Branch) ...	103
Thompson William	Clerk, Colonial Architect's Office	109
Thompson William M. ...	Surveyor, Railway Department.....	104
Thompson Thomas J.	District Registrar of Births, Deaths, &c., M'Donald River	22
Thompson John	Clerk, afterwards Cashier, Post Office	116
Thompson Lindsay George	Clerk, Lands Department	82
Thompson John R.....	Railway Station-master, Parramatta.....	105
Thompson Francis	Sheep Director, Berrima.....	98
Thompson Joseph	Assistant Postmaster, Newcastle, afterwards Goulburn	120-119
Thompson Walter Freewin	Supernumerary Inspector of Public Schools	63
Thompson William	Official Postmaster, Newcastle	119
Thompson William G.	Official Postmaster, Bathurst.....	119
Thomson Hon. Sir E. Deas C.B., K.C.M.G.	Crown Trustee, Australian Museum.....	64
.....	Vice-President, Paris Universal Exhibition Commission	46
.....	Member of Sydney International Exhibition Commission.....	47
Thomson James	Chief Inspector of Public Revenue Collectors' Accounts	70
.....	Commissioner to report upon the Working, &c., of the Lands and Survey Departments.	90
Thomson T. B.....	Construction Overseer, Electric Telegraphs.....	132
Thomson F. B.....	Construction Overseer, Electric Telegraphs.....	131
Thomson Robert	Telegraph Station-master, Michelago	127
Thomson Robert	Junior Telegraph Operator, Tenterfield	129
Thomson Maxwell	Clerk, Stores Department	74
Thomson Edward D.	Assistant Instrument Fitter, Telegraph Department.....	122
Thornton William Henry (J.P.)	Coroner, Macleay River	55
Thornton George.....	Member of Sydney International Exhibition Commission.....	47
Thornton Edward	Forest Ranger, Gosford	97
Thorpe Charles	Sub-Inspector of Police	24
Thorpe John Adolphus ...	Taxidermist, Australian Museum	64
Thorpe James	Clerk, Shipping Master's Office, Sydney	76
Thorpe Frederick A.	Assistant Clerk, Department of Harbours and Rivers	110
Thrum George Alfred.....	Foreman of Press Branch, Government Printing Office.....	75
Thurlow Charles Alton ...	Clerk, Lands Department	82
Thurlow Henry R.	Telegraph Station-master, Baradine	125
Thurlow John	Telegraph Station-master, Wee Waa	130
Thurlow Joseph Giovanni	Under Sheriff	51
Thursby David R.	Telegraph Station-master, Walcha.....	130

INDEX.

lvii

Names of Officers.	Office.	Page.
Tibbits Walter, Hugh.....	Vaccinator, Dubbo	31
	Coroner, Dubbo	54
	Government Medical Officer, Dubbo	34
Tidswell Henry Earnshaw.....	Quartermaster, 2nd Regiment Volunteer Rifles	44
Tierney Patrick	Telegraph Line Repairer, West Kempsey	130
Tighe Ferdinand A.....	Operator, Electric Telegraph Department	122
Tighe Alfred Atkinson Patrick.	Police Magistrate, Waratah	60
Tillett George Alfred	Draftsman, Department of Harbours, &c	109
Tingcombe G. T.....	Sheep Director, Port Macquarie	100
Tinker John	Sheep Director, Hume	99
Titterton William J.	Railway Station-master, Burwood	105
Tomkinson Walter E.....	Telegraph Operator, Head Office	122
Tompson Arthur William	Clerk (Wages Branch), Railways	102
Tompson George Charles	Commissioner of Crown Lands, Warrego District.....	96
Tompson Frederick Anslow	Coroner, Wagga Wagga.....	55
Tompson Edwin Harvy ...	Clerk of Petty Sessions, Wagga Wagga	60
	District Registrar of Births, Deaths, &c., Wagga Wagga.....	22
	Registrar of the District Court, Wagga Wagga.....	53
Tompson J. H.....	Crown Lands Agent, Cassilis.....	87
Toohar J. B.....	Clerk, Lands Office	82
Toose James C.....	Line Repairer, Telegraph Station, Port Macquarie, afterwards Nulla Nulla.	129-128
Torr Henry H.....	Booking Clerk, Electric Telegraph Department	121
Town Andrew	Sheep Director, Windsor.....	100
Townsend George William	Surveyor, Railway Department.....	104
Towson George	Coroner, Orange	55
Tozer V. F.	Mining Surveyor	96
Tracey Phillip	Sheep Director, Deniliquin.....	98
Trader Thomas	Telegraph Station-master, Bourke.....	124
Tranent Richard M.	Telegraph Operator, Moruya Heads.....	127
Tranent Robert Mossman	Pilot, Moruya	79
Treatt Frank Burford.....	Chief Clerk and Accountant, Immigration Office, Sydney.....	30
Trebeck Prosper Nicholas	Member of Paris Universal Exhibition Commission	46
	Member of Sydney International Exhibition Commission.....	47
Trengrouse Nicholas	2nd Class Draftsman, Survey Office	85
Trengrouse Wm. Anthony	2nd Class Draftsman, Survey Office	85
Tresilian John T.....	Inspector of Sheep and Cattle, Eden	97
Treweweke Frederick.....	Sheep Director, Bathurst	98
Tribe Edward S.	Clerk, General Post Office	116
Trimble James Orr	Assistant Record Clerk, Public Works Office.....	102
Trimble Thomas	Sub-Collector of Customs, Morpeth	73
Tritton James Lambert ...	Surveyor, 2nd Class.....	84
Trollope Frederick	Inspector of Conditional Purchases	83
Troughton D. E.	Assistant Clerk of Petty Sessions, Goulburn	57
Tucker Alexander	Inspector of Telegraph Lines and Stations	123
Tucker J. J.	Mining Surveyor	95
Tulloch James A.	Telegraph Operator, Branxton	125
Tulloch T.	Pilot in Charge of Moorings, Kiama.....	79
Tully Walter	Sheep Director, Booligal	98
Tunks William Henry	Clerk, Lands Department	82
Tunks Arthur E.	Cadet, Department of Harbours and Rivers	110
Turner Alfred Allatson ...	Police Magistrate and Clerk of Petty Sessions, Wollongong.....	60
	District Registrar of Births, Deaths, &c., Wollongong	22
	Agent for Sale of Crown Lands, Wollongong	88
	Registrar of the District Court, Wollongong	52
Turner Alfred D.....	Junior Operator, Electric Telegraph Branch, Wagga Wagga, after- wards Station-master, Louth.	130-127
Turner E. W.	Mining Surveyor.....	96
Turner George Frederick... Turner Thomas	Clerk and Accountant, Sheriff's Office	51
	Sheep Inspector, Yass.....	97
Tweedy John	Railway Station-master, Cootamundra.....	105
Twentyman Rachel Lilla... Twynam Edward.....	Official Postmistress, Hunters Hill	118
	Junior Telegraph Operator, Hunters Hill	123
Twyne Alfred Fletcher ...	Clerk, Survey Office	87
Twine Frederick William	16th Landing-waiter, Customs, Sydney	72
Twining Alfred H.	Coroner, Urana	55
Twoomey Rev. Cornelius... Twynam Edward.....	Minister of the Roman Catholic Church, Albury	135
	Mining Surveyor (England)	95
	District Surveyor.....	84
Tyrrell Right Rev. William (D.D.)	Lord Bishop of Newcastle.....	134
Tyrrell Rev. Lovick.....	Minister of the Church of England, East Maitland	134
	Church of England Chaplain, Gaol, Maitland.....	27
Tyter John F.	Station-master, Electric Telegraph Department, Kiama	127
U		
Uhr William A.	Clerk, Money Order Office.....	120
Underwood Thomas	Ledger-keeper, Government Savings' Bank	132
Underwood Richard George	Clerk, Railway Department (Audit Branch)	106
Unwin George P.....	Description Writer, Survey Office.....	86
Usher Harry C.	Clerk, General Post Office	116
Uzzel Rev. W. F. B.	Book-keeper, Electric Telegraph Department.....	121
	Church of England Chaplain, Lunatic Asylum, Callan Park	36

Names of Officers.	Office.	Page.
V		
Vance Arthur J.	Vaccinator, Young	33
Vandeleur F. E.	Sheep Director, Menindie	99
Vantin Ernest Stafford ...	3rd Class Draftsman, Survey Office	86
Vaughn Robert Matheson ...	Coroner, Grenfell	53
Verdon William U.	Railway Station-master, Hexham, afterwards Scone	106
Vernon Donald	Secretary Railway Department	102
Vernon J.	Mining Surveyor	96
Verschuer John James P. Z. ...	Vaccinator, Adelong	31
Vessey Leonard Abingdon ...	Computer and Draftsman, Triangulation Staff, Survey Office	87
Vickery Edwin Guthridge ...	Surveyor 2nd Class	84
Vidal Rev. George	Minister of the Church of England, Penrith (Mulgoa)	134
Vidal Henry H.	Assistant Clerk, Department of Harbours and Rivers	110
Vidal George William ...	Clerk, Office of Inspector General of Police	24
Vincent Frederick William ...	Clerk, Occupation of Lands Department	96
Vine Alfred	Surveyor, Railway Department	104
Vivian John Arthur	2nd Clerk Assistant, Legislative Assembly	15
Voss Houlton Harris	Member of Royal Commission to inquire into general management and discipline of Berrima Gaol	47
Vyner Frederick Wheeler ...	Police Magistrate and Clerk of Petty Sessions, Tumut	59
	Crown Lands Agent, Tumut	88
	Registrar of the District Court, Tumut	53
	Coroner, Adelong, Tumut, and Tumberumba	54
	Warden, Mining Department	93
	Mining Registrar, Tumut	94
W		
Waddell James	Telegraph Station-master, Adaminiby	124
Waddell Thomas	Clerk of Petty Sessions, Collector	57
Waddups Frederick	Junior Telegraph Operator, Glen Innes	126
Wade John Alfred	Clerk, Office of the Agent General for the Colony	45
Wade William Burton ...	Resident Engineer, Railway Department (Engineer-in-Chief's Branch)	104
Wager William H.	Clerk, Money Order Office	120
Wager Henry	Officer in Charge of Detective Police	25
Wait Edward Russell	Clerk, Office of Agent General for the Colony	45
Wakely Charles F.	Station-master, Electric Telegraph Branch, Morpeth	127
Wakely Joseph B.	Operator, Electric Telegraph Branch, Newcastle, afterwards Telegraph Station-master, Bingera	128-124
Walcot Thomas Beilby ...	Lieutenant, 1st Regiment Volunteer Rifles	43
Walcott James A.	Agreements Validating Officer, Dunedin	143
Waldie Andrew Fairley ...	Draftsman, Railway Department	103
	Temporary Draftsman, Roads Department	107
Waldie T.	Warden's Clerk, Trunkey	93
Walford Lion Henry	Sub-Collector of Customs, Hay	74
Walford Joseph S.	Clerk, Treasury	71
Walker Critchett	1st Clerk, Colonial Secretary's Office	20
Walker William Henry ...	Plan-mounter, Survey Office	86
Walker Philip B.	Assistant Superintendent of Electric Telegraphs	121
	Captain, Torpedo and Signalling Corps	44
Walker John Henry	Railway Station-master, Wallsend	106
Walker Selina Georgina ...	Superintendent of Biloela Industrial School for Girls	24
Walker Robert Cooper ...	Principal Librarian, Free Public Library	64
Walker Frederick J.	Junior Telegraph Operator, King-street	123
Walker Westby	Vaccinator, Sofala	33
Walker William Henry ...	Sheep Director, Glen Innes	99
Walker Josiah Henry	2nd Lieutenant, Volunteer Artillery	39
Walker Frederick T.	Land Appraiser	83
Walker Matthew	Gaoler, Goulburn	27
Walker Ann	Matron, Gaol, Goulburn	27
Wall H. C.	Sheep Director, Molong	99
Wallace James	Railway Station-master, East Maitland	106
Wallace R. B.	Member of Local Marine Board, Newcastle	77
Wallace William	Sheep Inspector, Cooma	97
Waller Frank	Operator, Electric Telegraph Department	122
Waller Edwin	Chief Attendant, &c., Lunatic Asylum for Imbeciles, &c., Newcastle	36
Waller Henry	supernumerary Lieutenant, 1st Regiment Volunteer Infantry	44
Wallis William	Member of Paris Universal Exhibition Commission	46
Wallis Nathaniel	Clerk, Lands Department	82
Walsh Edward	Telegraph Station-master, Howlong	127
Walsh John	Agreements Validating Officer, Cooktown (Queensland)	143
Walsh Michael John	Coroner, Walcha	55
Walsh Rev. C.	Minister of the Church of England, Morpeth, &c.	134
Walsh Charles Richard ...	4th Clerk, Crown Solicitor's Office	68
Walsh Henry D.	Surveyor, Department of Harbours and River Navigation	111
Walsh Frank	Clerk, Legislative Assembly	15
Walsh Matthew Joseph ...	8th Clerk, Department of Justice, &c.	47
Walshe John Matthias ...	13th Clerk, Customs, Sydney	71
Walter John	Telegraph Station-master, Moruya	127
Walters John James	1st Class Draftsman, Survey Office	85
Wansbrough Charles Howard.	1st Class Surveyor	84
Warburton Christopher ...	5th Locker, Customs, Sydney	72
	District Registrar of Births, Deaths, &c., Redfern	21
Ward James	Forest Ranger, Narrabri	97
Ward Gervas J.	Clerk, General Post Office	116

INDEX.

lix

Names of Officers.	Office.	Page
Ward Robert Dalzell	District Registrar of Births, Deaths, &c., St. Leonards.....	21
	Vaccinator, St. Leonards, North Shore	31
	Surgeon and Dispenser, Hyde Park Asylum for Infirm and Destitute	33
	Member of the Medical Board	31
Ward James.....	Telegraph Station-master, Tinonee	130
Ward Edward Grant, J.P.	Registrar General, &c.	20-21
Ward Thomas E.	Railway Station-master, Richmond	105
Ward Thomas	Clerk, Lands Department	84
Wareham John Valentine.....	Clerk of Petty Sessions, Ulladulla.....	66
	Agent for the Sale of Crown Lands, Dowling	88
	Coroner, Dowling	55
	Registrar of the District Court, Ulladulla	52
	Clerk, Department of Harbours and River Navigation	109
Ware Rev. John M.	Church of England Chaplain, Gaol, Young	29
Ware John J.	Ticket Clerk, Railway Department	102
Waring Thomas W.	Clerk, Roads Department	107
Warner William Badcock.....	District Registrar of Births, Deaths, &c., Carcoar	21
	Registrar of District Court, Carcoar.....	53
	Warden's Clerk, Carcoar	93
Warren Henry Buckler	Surveyor, Railway Department	104
Warren William	Telegraph Station-master, Anvil Creek	124
Waterhouse John	Captain, Newington College Cadet Corps, Volunteer Rifles	41
Waterman John	Sub-Overseer, Government Printing Office	75
Waters George	Sub-Inspector of Police	25
Watsford James	Railway Station-master, Mount Victoria	105
Watsford H.	Construction Overseer of Electric Telegraphs.....	131
Watson John	Member of Board of Pharmacy.....	80
Watson Robert	Telegraph Operator, Head Office	122
Watson George Cobham.....	Crown Land Ranger, County of Cumberland	96
Watson William George.....	Vaccinator, Bombala	31
	Medical Officer, Bombala	34
Watson James	Colonial Treasurer	70
Watson Samuel J.	Inspector of Railway Telegraph Lines and Stations	123
Watson Samuel	Sheep Director Albury	98
Watson Thomas	Member of Marine Board	77
Watson D.	Superintendent, Light-house, Seal Rocks	78
Watson David	Telegraph Operator, Seal Rocks	129
Watson Thomas	Surveyor, Railway Department	104
Watt John Brown	Representative Commissioner, Paris Universal Exhibition	46
	Vice-President of Marine Board	77
Watt Charles.....	Analytical Chemist	25
	Inspector of Kerosene.....	45
Watt Alfred Joseph	Member of Board of Pharmacy	80
Watt Alexander	Chief Warder, Gaol, Parramatta	26
Watt Jane	Matron, Gaol, Parramatta	26
Watt David	Sheep Director, Coonabarabran.....	98
Watt P. C.	Sheep Director, Moree	99
Watt Frederick William.....	1st Class Draftsman, Surveyor General's Office	85
Webb Edward Joseph	Quartermaster, Northern Battalion, Volunteer Rifles	42
Webb George P.	Telegraph Station-master, Cooranbong.....	125
Webb Frederick William.....	Clerk Assistant, Legislative Assembly	15
	Acting Clerk of Legislative Assembly	15
Webb Edmund	Member of Sydney International Exhibition Commission.....	47
Weber Adalbert	Road Superintendent	108
Weber Carl	Road Superintendent	108
Webster Marshall Hall	Vaccinator, Grafton and Tenterfield.....	32
Webster Edward.....	Sheep Director, Booligal.....	98
Webster William.....	Examiner of Diagrams on Crown Grants, Survey Office	86
Weekes Charles Wye	Registrar of the District Court, Gundagai	53
	Crown Lands Agent, Gundagai.....	88
	Clerk of Petty Sessions, Gundagai	58
	Coroner, Gundagai	54
	Warden's Clerk, Gundagai.....	93
Weekes John Wye	Inspector of Distilleries	74
Weekes Elias Carpenter	Member of Hyde Park Improvement Committee	89
Weigall Albert Byethesea.....	Head Master of the Sydney Grammar School.....	137
	Captain, Sydney Grammar School Cadet Corps, Volunteer Rifles.....	41
Weir Joseph.....	Sheep Director, Urana	100
Weldon William	Foreman of Magazine, Goat Island, Ordnance and Barrack Department.....	76
Weller Edward Christo- pher.....	Clerk to Chief Inspector of Sheep.....	97
Wells H. E.	Bailiff, Warden's Court, Mudgee	94
Wells Frederick	Assistant Engineer in the Field, Roads Department	107
	Major, N.S.W. Regiment Volunteer Artillery.....	38
Wells John	Captain, 1st Regiment Volunteer Infantry	41
Wells William	Clerk, Treasury	71
Wells William S.	Cadet, Roads Department	107
West William F.	Clerk, General Post Office	117
	Official Postmaster, Park-street.....	118
West Joseph W.	Sheep Inspector, Carcoar	97
West George	Official Postmaster, Newtown	118
West Thomas George.....	Clerk, Council of Education Office	62
Weston William Clifton J.P.	Registrar of the District Court, Hill End	53-59
	Clerk of Petty Sessions, Hill End, afterwards Parkes	58
	Assistant District Registrar of Births, Deaths, &c., Parkes	22
	Warden's Clerk, Parkes	93

Names of Officers.	Office.	Page.
Wetherill W. F.	Secretary and Inspector, Local Marine Board, Newcastle	77
Whaites W. J.	Pilot, Nambuccera	79
Wharf James	Chief Attendant, Lunatic Asylum, Parramatta	35
Wharton H.	Sheep Director, Cannonbar	98
Whealy Patrick Thomas	Telegraph Operator, Wentworth	130
Wheatley William	Telegraph Operator, Head Office	122
Wheeler Henry	Coroner, Murrurundi	55
Wheeler Henry	Assistant Official Postmaster, Murrurundi, afterwards Official Postmaster, Muswellbrook	120-119
Whinfield Rev. J. F. R.	Minister of the Church of England, Tamworth	135
White Rev. James S.	Presbyterian Minister, Singleton	136
White John S.	Telegraph Station-master, Palmer's Island	128
White Frederick	Sheep Director, Merriwa	99
White Frank	Temporary Instrument Fitter, Telegraph Department	122
White Rev. Patrick	Minister of the Roman Catholic Church, Queanbeyan	135
White James	Member of Paris Universal Exhibition Commission	46
White John M.	Surveyor, Department of Harbours and River Navigation	111
White George F.	Clerk, Government Savings' Bank	132
White E. A.	Member of Local Marine Board, Newcastle	77
White Rev. W. E.	Minister of the Church of England, Muswellbrook	134
White Alexander	Messenger, Sydney University	136
Whitehand William	Assistant Officer of Customs, Albury	73
Whiteside Edward T.	Road Superintendent	108
Whitfeld Edwin	Classical Master, Sydney Grammar School	137
Whitfeld Lewis	Assistant Master, Sydney Grammar School	137
Whiting Richard	Foreman of Melting Department, Branch Royal Mint, Sydney	18
Whitling Arthur	Master of the Protestant Orphan School, Parramatta	63
	Clerk, Office of the Inspector of the Insane	35
	Clerk, Lunatic Asylum, Callan Park	36
Whitney John Sydney	Clerk, Roads Department	107
Whittaker Henry C.	Telegraph Station-master, Blayney	125
Whittell Charles	Clerk, Audit Office	23
Whitton John	Engineer-in-Chief for Railways	103
	Member of Public Works Tender Board	109
Whysall Francis	Operator, Electric Telegraph Department	122
Whyte William Henry	Clerk, Customs, Newcastle	73
Wickham Francis John	Accountant, Railways	102
Wickham Henry	1st Class Draftsman, Surveyor General's Office	85
Wickham George	Clerk, Gaol, Darlinghurst, Sydney	26
	Clerk of Petty Sessions, Parramatta	59
	Registrar of the District Court, Parramatta	52
	Registrar of Births, Deaths, &c., Parramatta	22
	Agent for the Sale of Crown Lands, Parramatta	88
Wigan George	Vaccinator, Armidale	31
Wigram James Sven	2nd Lieutenant, Volunteer Artillery	39
Wikner M. E.	Road Superintendent	108
Wild John	Inspector of Conditional Purchases	83
Wildash Charles Cobb	Sheep Inspector, Young	97
Wiley William	Clerk, Survey Office	87
	Assistant District Registrar of Births, Deaths, &c., Waverley	21
Wilkie David William Balfour	Vaccinator, Hay	32
	Government Medical Officer, Hay	34
Wilkins Alfred Kimber	Junior Clerk, Council of Education Office	62
Wilkins William	Secretary to the Council of Education	62
	1st Lieutenant, 1st Regiment Volunteer Infantry	42
Wilkinson William Hat-tam	District Court Judge and Chairman of Quarter Sessions, Metropolitan and Hunter District.	52-68
	Commissioner of the Court of Claims	89
Wilkinson William	Railway Station-master, Morpeth	106
Wilkinson Alexander	Captain, Maitland Volunteer Infantry	41
Wilkinson William Henry	Agreements Validating Officer, Boston (United States)	143
Wilkinson George Thirlwell	Clerk, Railway Department	103
Wilkinson Charles Smith	Geological Surveyor, Mining Department	92
	Mining Surveyor	95
	Member of Paris Universal Exhibition Commission	46
Wilkinson Rev. Samuel	Member of the Immigration Board	30
Wilkinson Henry Early	3rd Class Draftsman, Survey Office	86
Wilkinson H. T.	Clerk and Draftsman, Mining Department	92
Willans Obadiah	Clerk of Petty Sessions, Queanbeyan	59
	Registrar of the District Court, Queanbeyan	52
	Agent for the Sale of Crown Lands, Queanbeyan	88
	Warden's Clerk, Queanbeyan	93
Willans A. O.	Assistant Land Agent, Queanbeyan	89
Willans Richard C.	Telegraph Station-master, Cootamundra	125
Willard James Sydney	District Registrar of Births, Deaths, &c., Tambaroora	22
Williams John	Telegraph Station-master, West Kempsey	130
Williams Percy E.	Clerk, Treasury	70
Williams Charles E.	Clerk, General Post Office	117
Williams Alfred	Assistant Engineer, Moruya River, Department of Harbours, &c.	110
Williams Henry J.	Telegraph Station-master, Rylstone	129
Williams George	Telegraph Line Repairer, Grafton	126
Williams Henry	Telegraph Operator, Head Office	121
Williams Alfred W.	Telegraph Operator, Macleay River Heads	127
Williams W.	2nd Engineer of Pilot Steamer "Captain Cook"	78
Williams James	Railway Station-master, Seven Hills	105
Williams James	Clerk, Railway Department	106
Williams John	Crown Solicitor	68
Williams Edward G.	Temporary Clerk, Department of Mines	92

INDEX.

lxi

Names of Officers.	Office.	Page.
Williams Frederick	Clerk, Lands Department	82
Williams Frederick	Clerk, General Post Office	117
Williams Frank	Clerk, Lands Department	82
Williams Henry Percy G.	Clerk, Railway Department	102
Williams Thomas M.	Clerk, Railway Department (Audit Branch)	106
Williams John Henry	Clerk, Attorney General's Office	68
Williams V. A.	Mining Surveyor, Dubbo	95
Williams Vivian William	Clerk, Ordnance and Barrack Department	76
Williamson James C.	Bridge Superintendent, Roads Department	108
Willis James Alexander Colin.	1st Class Draftsman, Surveyor General's Office	85
Wills Richard C.	Telegraph Operator, Sydney	121
Wilshire Osborne	Forest Ranger, Murray District	97
Wilshire James Thompson	Clerk of Petty Sessions, Scone	59
.....	Crown Lands Agent, Scone	88
.....	District Registrar of Births, Deaths, &c., Scone	22
.....	Registrar of the District Court, Scone	52
.....	Warden's Clerk, Scone	93
Wilshire Frederick Robert- son.	Registrar of the District Court, Berrima	52
.....	District Registrar of Births, Deaths, &c., Berrima	21
.....	Agent for the Sale of Crown Lands, Berrima	87
.....	Police Magistrate, &c., Berrima	56
.....	Visiting Justice, Gaol, Berrima	27
.....	Mining Registrar, Berrima	93
Wilshire Ernest Henry ...	Clerk, Audit Office	23
Wilson Frank G.	Telegraph Operator, Head Office	122
Wilson William George ...	5th Clerk, Crown Solicitor's Office	68
Wilson James	Secretary to the Defence Commission	37
.....	Adjutant, 2nd Regiment, N. S. W. Volunteer Infantry	39-42
Wilson William	Manager, Chief Operating Room, Telegraph Department, Sydney	121
.....	2nd Lieutenant, Torpedo and Signalling Corps	44
.....	Construction Overseer of Electric Telegraphs	131
Wilson T. W.	Caretaker of Forest Reserve, Bindo	97
Wilson Jeremiah	Sheep Director, Bourke	98
Wilson Arthur	Sheep Director, Urana	100
Wilson Alexander	Sheep Director, Wagga Wagga	100
Wilson G. P.	Sheep Director, Port Macquarie	100
Wilson T. G.	Minister of the Church of England, Kiama	134
Wilson Rev. Thomas	Captain, 1st Regiment Volunteer Infantry	41
Wilson Charles Abraham	Commanding N. S. W. Regiment Volunteer Artillery	38
Wilson Watson	Vaccinator and Medical Officer, Wentworth	33-34
Wilson John Scott	Visiting Surgeon, Gaol, Maitland	33
Wilton William	3rd Class Draftsman, Survey Office	86
Winder William	Sheep Director, Wagga Wagga	100
Windeyer Walter Orton	Attorney General	68
Windeyer William Charles	Temporary Draftsman, Department of Mines	92
Wisdom H. P.	Member of the Immigration Board	30
Wise George Foster	Agent for Immigration	30
Wiseman John	Clerk, Lands Department	83
Wood Harrie	Under Secretary for Mines	92
Wood James Downes	Appraiser under Land Regulations	83
Wood James Holbrook ...	Mining Surveyor, Albury	94
.....	District Surveyor	84
Wood Arthur Pepys	Assistant Engineer in the Field, Roads Department	107
Wood William Henry ...	Vaccinator and Medical Officer, Tamworth	33-34
Wood William Henry O'Malley.	2nd Class Surveyor	84
Wood William	Clerk, Government Savings' Bank	132
Woodall George	Railway Station-master, Tarana	105
Woodall George D.	Junior Telegraph Operator, Tamworth, afterwards Telegraph Station Master, Uralla.	129-130
Woodbury Catherine	Sub-matron, Roman Catholic Orphan School, Parramatta	63
Woodd Rev. George N. ...	Minister of the Church of England, Liverpool	134
Woodgate Edward	Railway Station-master, Orange	105
Woodhouse E. B.	Sheep Director, Picton	100
Woods Jane	Matron, Gaol, Darlinghurst	26
Woods Edward J.	Junior Telegraph Operator, Carcoar	125
Woods George	Lieutenant, Jamberoo Volunteer Rifles	43
Woods William Frederick	Lieutenant, Mudgee Volunteer Rifles	43
Woolgar Henry William ...	Clerk, Office of Agent General for the Colony	45
Woolan S.	Mining Registrar, Nerriga	94
Woolrych Francis Benson William.	District Surveyor	84
Woore John Chadwick ...	Commissioner of Crown Lands, Albert District	96
Worth C.	Mining Surveyor	95
Wotton William John Ebenezer.	Clerk of Petty Sessions, Burrowa	57
.....	Registrar of the District Court, Burrowa	53
.....	District Registrar of Births, Deaths, &c., Burrowa	21
.....	Agent for the Sale of Crown Lands, Burrowa	87
Wren Erasmus	Visiting Surgeon, Gaol, Wagga Wagga	33
.....	Vaccinator and Medical Officer, Wagga Wagga	33-34
Wright William	Sub-Inspector of Police	25
Wright Francis Augustus	2nd Lieutenant, 1st Regiment Volunteer Infantry	43
Wright John	Training Master, Council of Education	63
Wright J. J.	Sheep Director, Queanbeyan	100
Wylie John	Assistant Clerk to Assistant Engineer, Hunter River (Harbours and Rivers).	110
Wyndham E. S.	Mining Surveyor (Butchulla)	94

Names of Officers.	Office.	Page.
Wyndham G.	Construction Overseer, Electric Telegraphs.....	131
Wyse John	Sub-Collector of Customs, Swan Hill	73
Y		
Yarnton Frederick	Clerk, Registrar General's Office	21
Yarrington Rev. W. H. H.	Church of England Chaplain, Gaol, Yass	28
Yates Leopold	Police Magistrate and Clerk of Petty Sessions, Yass	60
	District Registrar of Births, Deaths, &c., Yass	22
	Agent for the Sale of Crown Lands, Yass.....	88
	Registrar of the District Court, Yass	52
	Visiting Justice, Gaol, Yass	28
	Mining Registrar, Yass	94
Yeo George Shaftland.....	Inspector of Sheep and Cattle, Sydney.....	97
York Reginald Beauchamp	Land Appraiser	83
Yorke John Richard	Clerk, Lands Office	84
Young Rev. Peter	Minister of the Roman Catholic Church, Liverpool	135
	Acting Roman Catholic Chaplain, Permanent Military Force	38
Young Edwin J.	Operator, Electric Telegraph Department	121
Young Michael B.	District Registrar of Births, Deaths, &c., Concord.....	21
Young Edward	Junior Operator, Telegraph Station, Dubbo	126
Young John (J.P.)	Member of Sydney International Exhibition Commission.....	47
Young Lamont.....	Field Assistant, afterwards Geological Surveyor, Mining Department.	92
	Mining Surveyor	95
Z		
Zouch Henry	Superintendent of Police	24
Zouch Charles George	Draftsman, Survey Office	86

NEW SOUTH WALES.

BLUE BOOK,
1878.

PART I.

Governors, Parliaments, &c.

SUMMARY.

	PAGE.
Governors	2
Parliaments	3
Ministries	4
Executive Council—Members of	8
Legislative Council—Succession of Presidents	8
Do. Members of... ..	9
Legislative Assembly—Succession of Speakers	9
Do. Members of	10

GOVERNORS.

SUCCESSION OF GOVERNORS OF NEW SOUTH WALES, and the Dates on which they assumed and retired from the Government.

Names.	From	To
Captain A. Phillip, R.N.	26 January, 1788 ...	10 December, 1792.
Captain F. Grose (Lieutenant-Governor)	11 December, 1792 ...	12 December, 1794.
Captain Paterson, New South Wales Corps (Lieutenant-Governor)	13 December, 1794 ...	1 September, 1795.
Captain Hunter, R.N.	7 September, 1795 ...	27 September, 1800.
Captain P. G. King, R.N.	28 September, 1800 ...	12 August, 1806.
Captain W. Bligh, R.N.	13 August, 1806 ...	26 January, 1808.
During Governor Bligh's suspension the Government was successively administered by—		
Lieutenant-Colonel G. Johnstone	} All of the New South Wales Corps, afterwards } 102nd Regiment	} 26 January, 1808 ... 28 December, 1809.
Lieutenant-Colonel Foveaux		
Colonel William Paterson		
Major-General L. Macquarie	1 January, 1810 ...	1 December, 1821.
Major-General Sir T. Brisbane, K.C.B.	1 December, 1821 ...	1 December, 1825.
Colonel Stewart, 3rd Regiment or Buffs (Acting Governor)	6 December, 1825 ...	18 December, 1825.
Lieutenant-General R. Darling	19 December, 1825 ...	21 October, 1831.
Colonel Lindsay, C.B. (Acting Governor)	22 October, 1831 ...	2 December, 1831.
Major-General Sir Richard Bourke, K.C.B.	3 December, 1831 ...	5 December, 1837.
Lieutenant-Colonel K. Snodgrass (Acting Governor)	6 December, 1837 ...	23 February, 1838.
Sir George Gipps	24 February, 1838 ...	11 July, 1846.
Sir Maurice O'Connell ..	12 July, 1846 ...	2 August, 1846.
Sir Charles A. Fitz Roy	3 August, 1846 ...	17 January, 1855.
Sir William Thomas Denison, K.C.B.	20 January, 1855 ...	22 January, 1861.
Lieutenant-Colonel John F. Kempt (Administrator)	23 January, 1861 ...	21 March, 1861.
Right Honorable Sir John Young, K.C.B., G.C.M.G.	{ Administrator	22 March, 1861 ... 15 May, 1861.
	{ Governor-in-Chief	16 May, 1861 ... 24 December, 1867.
Sir Trevor Chute, K.C.B. (Administrator)	25 December, 1867 ...	7 January, 1868.
Right Honorable the Earl of Belmore (Privy Councillor)	8 January, 1868 ...	22 February, 1872.
Sir Alfred Stephen, Knt., C.B. (Administrator)	23 February, 1872 ...	2 June, 1872.
Sir Hercules George Robert Robinson, G.C.M.G., Governor-in-Chief	3 June, 1872 ...	(Still in Office.)

PARLIAMENTS.

RETURN showing the NUMBER OF PARLIAMENTS since the establishment of RESPONSIBLE GOVERNMENT, when opened for the DISPATCH OF BUSINESS, and DISSOLUTION OF SAME; also, the NUMBER OF SESSIONS in each Parliament.

FIRST PARLIAMENT.

Opened, 22nd May, 1856.....Dissolved, 19th December, 1857.

SESSION 1.—(1856-7.)

22nd May, 1856, to 18th March, 1857.

SESSION 2.—(1857.)

11th August, 1857, to 18th December, 1857.

SECOND PARLIAMENT.

Opened, 23rd March, 1858.....Dissolved, 11th April, 1859.

SESSION 1.—(1858.)

23rd March, 1858, to 26th November, 1858.

SESSION 2.—(1858-9.)

8th December, 1858, to 9th April, 1859.

THIRD PARLIAMENT.

Opened, 30th August, 1859.....Dissolved, 10th November, 1860.

SESSION 1.—(1859-60.)

30th August, 1859, to 4th July, 1860.

SESSION 2.—(1860.)

25th September, 1860, to 8th November, 1860.

FOURTH PARLIAMENT.

Opened, 10th January, 1861.....Dissolved, 10th November, 1864.

SESSION 1.—(1861.)

10th January, 1861, to 11th May, 1861.

SESSION 2.—(1861-2.)

3rd September, 1861, to 20th January, 1862.

SESSION 3.—(1862.)

27th May, 1862, to 20th December, 1862.

SESSION 4.—(1863-4.)

23rd June, 1863, to 22nd April, 1864.

SESSION 5.—(1864.)

18th October, 1864, to 9th November, 1864.

FIFTH PARLIAMENT.

Opened, 24th January, 1865.....Dissolved, 15th November, 1869.

SESSION 1.—(1865.)

24th January, 1865, to 21st June, 1865.

SESSION 2.—(1865-6.)

24th October, 1865, to 7th April, 1866.

SESSION 3.—(1866.)

24th July, 1866, to 22nd December, 1866.

SESSION 4.—(1867-8.)

2nd July, 1867, to 27th April, 1868.

SESSION 5.—(1868-9.)

13th October, 1868, to 1st April, 1869.

SESSION 6.—(1869.)

28th September, 1869, to 13th November, 1869.

SIXTH PARLIAMENT.

Opened, 27th January, 1870.....Dissolved, 3rd February, 1872.

SESSION 1.—(1870.)

27th January, 1870, to 7th May, 1870.

SESSION 2.—(1870-1.)

11th August, 1870, to 22nd June, 1871.

SESSION 3.—(1871-2.)

14th November, 1871, to 1st February, 1872.

SEVENTH PARLIAMENT.

Opened, 30th April, 1872.....Dissolved, 28th November, 1874.

SESSION 1.—(1872.)

30th April, 1872, to 13th August, 1872.

SESSION 2.—(1872-3.)

5th November, 1872, to 25th April, 1873.

SESSION 3.—1873-4.

9th September, 1873, to 25th June, 1874.

SESSION 4.—(1874.)

3rd November, 1874, to 26th November, 1874.

EIGHTH PARLIAMENT.

Opened, 27th January, 1875.....Dissolved, 12th October, 1877.

SESSION 1.—(1875.)

27th January, 1875, to 11th August, 1875.

SESSION 2.—(1875-6.)

16th November, 1875, to 22nd August, 1876.

SESSION 3.—(1876-7.)

12th December, 1876, to 11th October, 1877.

NINTH PARLIAMENT.

Opened, 27th November, 1877.

SESSION 1.—(1877-8.)

27th November, 1877, to 21st May, 1878.

SESSION 2.—(1878-9.)

10th September, 1878, "still in session."

MINISTRIES.

RETURN showing the different MINISTRIES since the establishment of RESPONSIBLE GOVERNMENT; also, Date of Appointment to and Retirement from Office.

Name.	Office.	From	To	Remarks.
DONALDSON MINISTRY—No. 1.				
Stuart A. Donaldson ¹	Colonial Secretary	} 6 June, 1856 ...	25 Aug., 1856.	Also Secretary for Lands and Works during same period. Representative of Government in Legislative Council.
Thomas Holt	Colonial Treasurer			
William M. Manning ¹	Attorney General			
John Bayley Darvall ¹	Solicitor General			
George R. Nichols	Auditor General			
William C. Mayne
COWPER MINISTRY—No. 2.				
Charles Cowper	Colonial Secretary	} 26 Aug., 1856...	2 Oct., 1856. ...	Also Auditor General, from 26 August to 17 September.
Robert Campbell	Colonial Treasurer			
Terence A. Murray	Secretary for Lands and Works.	} 12 Sept., 1856...	Ditto.	Representative of Government in Legislative Council.
James Martin	Attorney General			
Alfred J. P. Lutwyche ..	Solicitor General			
PARKER MINISTRY—No. 3.				
Henry W. Parker	Colonial Secretary	} 3 Oct., 1856 ...	7 Sept., 1857.	
Stuart A. Donaldson	Colonial Treasurer			
John Hay	Secretary for Lands and Works.	} Ditto	25 May, 1857.	Representative of Government in Legislative Council—formerly Colonial Secretary.
William M. Manning	Attorney General			
John Bayley Darvall ...	Solicitor General			
Edward Wise	Attorney General			
Edward Deas-Thomson, C.B. ²	Solicitor General			
COWPER MINISTRY—No. 4.				
Charles Cowper	Colonial Secretary	7 Sept., 1857...	26 Oct., 1859.	Deceased.
Richard Jones	} Colonial Treasurer	Ditto	3 Jan., 1858.	
Robert Campbell		4 Jan., 1858...	30 Mar., 1859...	
Elias C. Weekes	} Secretary for Lands and Public Works.	18 April, 1859...	26 Oct., 1859.	
Terence A. Murray		7 Sept., 1857...	12 Jan., 1858.	
John Robertson	} Secretary for Lands	13 Jan., 1858...	30 Sept., 1859.	
John Robertson		1 Oct., 1859...	26 Oct., 1859.	
Edward Flood	} Secretary for Public Works	Ditto	Ditto.	
James Martin		7 Sept., 1857...	8 Nov., 1858.	
Alfred J. P. Lutwyche...	} Attorney General	15 Nov., 1858...	28 Feb., 1859.	
Lytleton H. Bayley ...		1 Mar., 1859...	26 Oct., 1859.	
Alfred J. P. Lutwyche...	} Solicitor General	7 Sept., 1857...	
William Bede Dalley ...		15 Nov., 1858...	11 Feb., 1859.	
John F. Hargrave	}	21 Feb., 1859...	26 Oct., 1859.	
John Dickson	
FORSTER MINISTRY—No. 5.				
William Forster	Colonial Secretary	} 27 Oct., 1859...	8 Mar., 1860.	Representative of Government in Legislative Council.
Saul Samuel	Colonial Treasurer			
John Black	Secretary for Lands			
Geoffrey Eagar	Secretary for Public Works			
Edward Wise	} Attorney General	Ditto	13 Feb., 1860...	Appointed Puisne Judge.
Sir W. M. Manning, Knt. }		} Solicitor General	21 Feb., 1860...	8 Mar., 1860.
John F. Hargrave			3 Nov., 1859...	8 Mar., 1860...

¹ Appointed Members of the Executive Council on the 20th April, 1856; but they did not take office until the 6th June as some preliminary arrangements were necessary before they vacated their seats as Members of the Legislative Assembly. Mr. Alexander Warren was also appointed a Member of the Executive Council on the 21st May, 1856, but resigned without entering upon the duties of the office.

² Vice-President of the Executive Council.

NEW SOUTH WALES—1878.

Name.	Office.	From	To	Remarks.
MINISTRIES—continued.				
ROBERTSON MINISTRY—No. 6. (To 9 January, 1861.)				
John Robertson	Secretary for Lands.....	} 9 Mar., 1860... } 2 April, 1860...}	} Merged into } Cowper } Ministry.	Premier to 9 January, 1861. Representative of Government in Legislative Council.
Charles Cowper	Colonial Secretary			
Elias C. Weekes	Colonial Treasurer			
William M. Arnold.....	Secretary for Public Works.....			
John F. Hargrave	Attorney General.....			
COWPER MINISTRY—No. 7. (From 10 January, 1861.¹)				
Charles Cowper	Colonial Secretary	9 Mar., 1860...	15 Oct., 1863 ...	Premier from 10 January, 1861.
Elias Carpenter Weekes } succeeded by	Colonial Treasurer	9 Mar., 1860...	20 Mar., 1863.	
Thomas Ware Smart ... }	Secretary for Lands.....	21 Mar., 1863...	15 Oct., 1863.	Appointed Solicitor General.
John Robertson		9 Mar., 1860...	15 Oct., 1863.	
William M. Arnold.....	Secretary for Public Works	9 Mar., 1860...	15 Oct., 1863.	
John F. Hargrave	Attorney General.....	2 April, 1860...	31 July, 1863 ...	
succeeded by				
John Bayley Darvall ... }	Solicitor General	1 Aug., 1863...	15 Oct., 1863.	Representative of Government in Legislative Council.
John F. Hargrave		1 Aug., 1863...	15 Oct., 1863 ...	
Charles Cowper, junr.....	Clerk of the Executive Council.			A Member of the Government, without a Seat in the Cabinet.
MARTIN MINISTRY—No. 8.				
James Martin	Attorney General.....	} 16 Oct., 1863...}	} 2 Feb., 1865.	Representative of Government in Legislative Council—formerly Attorney General.
William Forster	Colonial Secretary			
Geoffrey Eagar	Colonial Treasurer			
Peter Faucett	Solicitor General			
John Bowie Wilson.....	Secretary for Lands			
Arthur T. Holroyd	Secretary for Public Works			
John Hubert Plunkett ²			
COWPER MINISTRY—No. 9.				
Charles Cowper ²	Colonial Secretary	3 Feb., 1865...	21 Jan., 1866.	Appointed Secretary for Public Works.
Thomas Ware Smart ... }	Colonial Treasurer	3 Feb., 1865...	19 Oct., 1865 ...	
succeeded by				
Saul Samuel	Attorney General.....	20 Oct., 1865...	3 Jan., 1866 ...	Resigned.
succeeded by				
Marshall Burdekin	Secretary for Lands.....	4 Jan., 1866...	21 Jan., 1866.	Formerly Attorney General, for which he receives a Pension of £1,200 per annum. Pension not drawn during present occupancy.
John Bayley Darvall ... }		3 Feb., 1865...	20 June, 1865.	
succeeded by				
John Hubert Plunkett... }	25 Aug., 1865...	21 Jan., 1866 ...		
John Fletcher Hargrave... }	Solicitor General	3 Feb., 1865...	21 June, 1865.	Elected Speaker of the Legislative Assembly.
John Robertson		3 Feb., 1865...	19 Oct., 1865.	
succeeded by				
William M. Arnold..... }	Secretary for Lands.....	20 Oct., 1865...	31 Oct., 1865 ...	
succeeded by				
John Robertson	Secretary for Public Works	1 Jan., 1866...	21 Jan., 1866.	Appointed Secretary for Lands.
William M. Arnold..... }		3 Feb., 1865...	19 Oct., 1865 ...	
succeeded by				
Thomas Ware Smart ... }	Postmaster General.....	20 Oct., 1865...	21 Jan., 1866.	A Member of the Government without a Seat in the Cabinet.
James A. Cunneen		1 Oct., 1865...	21 Jan., 1866 ...	
MARTIN MINISTRY—No. 10.				
The Honorable James Martin, Q.C. ²	Attorney General.....	22 Jan., 1866...	26 Oct., 1868.	Resigned.
Henry Parkes	Colonial Secretary	22 Jan., 1866...	17 Sept., 1868 ...	
succeeded by				
Joseph Docker	Colonial Treasurer	28 Sept., 1868...	26 Oct., 1868 ...	Representative of Government in the Legislative Council.
Geoffrey Eagar		22 Jan., 1866...	26 Oct., 1868.	
John Bowie Wilson..... }	Secretary for Public Works	22 Jan., 1866...	26 Oct., 1868.	
James Byrnes		Solicitor General	22 Jan., 1866...	27 Sept., 1868 ...
Robert Macintosh Isaacs... }	Postmaster General.....	22 Jan., 1866...	27 Sept., 1868 ...	Appointed Colonial Secretary. Representative of Government in the Legislative Council.
Joseph Docker		29 Sept., 1868...	26 Oct., 1868.	
succeeded by				
Atkinson Alfd. Pk. Tighe }				

¹ From which date Mr. Cowper took his seat in the Legislative Assembly as Premier. ² Vice-President of the Executive Council.

BLUE BOOK OF

Name.	Office.	From	To	Remarks.
MINISTRIES—continued.				
ROBERTSON MINISTRY—No. 11.				
John Robertson	Colonial Secretary	27 Oct., 1868 ...	12 Jan., 1870 ...	Resigned.
Saul Samuel	Colonial Treasurer	27 Oct., 1868 ...	} See Cowper Ministry, No. 12.	A Member of the Government, without a Seat in the Cabinet. In receipt of a Pen- sion of £800 per annum, but not drawn during present tenure of office.
William Forster	Secretary for Lands	27 Oct., 1868 ...		
John Sutherland	Secretary for Public Works	27 Oct., 1868 ...		
Sir William Montagu Manning, Knt., Q.C.	Attorney General	31 Oct., 1868 ...		
Joshua Frey Josephson } succeeded by	Solicitor General	27 Oct., 1868 ...	9 Sept., 1869 ...	Appointed District Court Judge.
Julian Emanuel Salomons }		18 Dec., 1869 ...	} See Cowper Ministry, No. 12.	Representative of Government in Legislative Council, with a Seat in the Cabinet.
Daniel Egan	Postmaster General	27 Oct., 1868 ...		
Robert Owen	27 Oct., 1868 ...		
COWPER MINISTRY—No. 12.				
Charles Cowper ¹	Colonial Secretary	13 Jan., 1870 ...	15 Dec., 1870 ...	Appointed Agent General for the Colony, 6 December, 1870, but held office as Colo- nial Secretary till 15 December, 1870.
Saul Samuel	Colonial Treasurer	27 Oct., 1868 ...	15 Dec., 1870.	Resigned.
William Forster	Secretary for Lands..... } Secretary for Public Works } Attorney General..... }	27 Oct., 1868 ...	14 April, 1870 ...	
John Robertson		13 Aug., 1870 ...	15 Dec., 1870.	
John Sutherland		27 Oct., 1868 ...	15 Dec., 1870.	
Sir William Montagu Manning, Knt., Q.C.		31 Oct., 1868 ...	15 Dec., 1870 ...	
Julian Emanuel Salomons..	Solicitor General	18 Dec., 1869 ...	15 Dec., 1870.	Deceased. Representative of the Government in the Legislative Council, with a Seat in the Cabinet. Resigned both offices, 1 August, 1870.
Daniel Egan	Postmaster General	27 Oct., 1868 ...	16 Oct., 1870 ...	
Robert Owen	27 Oct., 1868 ...	1 Aug., 1870 ...	
MARTIN MINISTRY—No. 13.				
The Honorable Sir James Martin, Knt., Q.C. ²	Attorney General	} 16 Dec., 1870 ...	} 13 May, 1872.	Representative of Government in the Legis- lative Council.
John Robertson	Colonial Secretary			
George William Lord	Colonial Treasurer			
The Honorable John Bowie Wilson.	Secretary for Lands			
James Byrnes	Secretary for Public Works			
William Charles Windeyer	Solicitor General			
The Honorable Joseph Docker.	Postmaster General			
PARKES MINISTRY—No. 14.				
Henry Parkes	Colonial Secretary	14 May, 1872 ...	8 Feb., 1875.	Resigned.
William Richman Pid- dington	Colonial Treasurer	14 May, 1872	
George Alfred Lloyd ...		} 5 Dec., 1872 ... } } 14 May, 1872 ... } } 27 July, 1874 ... } } 15 May, 1872 ... }	5 Dec., 1872 ...	8 Feb., 1875.
James Squire Farnell	Secretary for Lands		14 May, 1872 ...	
Robert Palmer Abbott	Secretary for Mines		27 July, 1874 ...	
John Sutherland	Secretary for Public Works		15 May, 1872 ...	
Edward Butler	Attorney General	15 May, 1872 ...	19 Nov., 1873 ...	Resigned.
Joseph George Long Innes }		20 Nov., 1873 ...	} 8 Feb., 1875.	Without a Seat in the Cabinet. From 9 December, 1873.
George Wigram Allen	Minister of Justice and Public Instruction.	9 Dec., 1873 ...		
Joseph George Long Innes	Solicitor General	14 May, 1872 ...	19 Nov., 1873 ...	Representative of the Government in the Legislative Council. Appointed Attorney General.
George Alfred Lloyd ... }	Postmaster General	14 May, 1872 ...	4 Dec., 1872 ...	Appointed Colonial Treasurer.
succeeded by		} 5 Dec., 1872 ... }	} 8 Feb., 1875. }	} Vice-President of the Executive Council and Representative of Government in Legis- lative Council.
Saul Samuel, C.M.G. ... }				
Saul Samuel	14 May, 1872	

¹ Vice-President of the Executive Council from 11 January, 1870.² Vice-President of the Executive Council.

NEW SOUTH WALES—1878.

Name.	Office.	From	To	Remarks.
MINISTRIES—continued.				
ROBERTSON MINISTRY—No. 15.				
John Robertson	Colonial Secretary	9 Feb., 1875...	21 Mar., 1877.	Appointed Agent General for the Colony, resident in England.
William Forster	Colonial Treasurer	9 Feb., 1875...	
succeeded by Alexander Stuart.....	Colonial Treasurer	8 Feb., 1876...	21 Mar., 1877.	Representative of the Government in the Legislative Council.
Joseph Docker.....				
Thomas Garrett	Minister of Justice and Public Instruction.	9 Feb., 1875...	Resigned.
succeeded by Ezekiel Alexander Baker }	Secretary for Lands.....	6 Feb., 1877...	21 Mar., 1877.	A Member of the Legislative Council; a Member of the Government without a Seat in the Executive Council.
John Lackey	Secretary for Public Works	9 Feb., 1875...	21 Mar., 1877.	
William Bede Dalley	Attorney General			
John Lucas	Secretary for Mines.....			
John Fitzgerald Burns ...	Postmaster General.....			
PARKES MINISTRY—No. 16.				
Henry Parkes	Colonial Secretary	22 Mar., 1877...	16 Aug., 1877.	Member of the Government without a Seat in the Executive Council. Representative of the Government in the Legislative Council.
William Richman Piddington.	Colonial Treasurer			
Francis Bathurst Suttor ...	Minister of Justice and Public Instruction.			
Richard Driver.....	Secretary for Lands.....			
James Hoskins.....	Secretary for Public Works	17 Aug., 1877...	17 Dec., 1877.	Appointed Secretary for Lands.
William Charles Windeyer	Attorney General.....			
George Alfred Lloyd	Secretary for Mines.....			
Saul Samuel, C.M.G.	Postmaster General.....			
succeeded by Ezekiel Alexander Baker }	Secretary for Lands.....			
Thomas Garrett	Secretary for Public Works	17 Aug., 1877...	19 Nov., 1877...	Resigned.
succeeded by Ezekiel Alexander Baker }		Attorney General.....		
Edward Combes	Secretary for Mines.....	17 Aug., 1877...	19 Nov., 1877...	Resigned.
William Bede Dalley		Attorney General.....		
Ezekiel Alexander Baker }	Secretary for Lands.....	17 Aug., 1877...	19 Nov., 1877...	Resigned.
succeeded by Archibald Hamilton Jacob.		Attorney General.....		
John Davies.....	Postmaster General.....	17 Aug., 1877...	17 Dec., 1877.	
ROBERTSON MINISTRY—No. 17.				
Sir John Robertson, K.C.M.G.	Colonial Secretary	17 Aug., 1877...	17 Dec., 1877.	Vice-President of the Executive Council; Representative of the Government in the Legislative Council.
William Alexander Long ..	Colonial Treasurer			
Joseph Docker.....	Minister of Justice and Public Instruction.			
Thomas Garrett	Secretary for Lands.....	17 Aug., 1877...	19 Nov., 1877...	Resigned.
succeeded by Ezekiel Alexander Baker }		Attorney General.....		
Edward Combes	Secretary for Public Works	17 Aug., 1877...	17 Dec., 1877.	Resigned.
William Bede Dalley		Attorney General.....		
Ezekiel Alexander Baker }	Secretary for Mines.....	17 Aug., 1877...	19 Nov., 1877...	Resigned.
succeeded by Archibald Hamilton Jacob.		Attorney General.....		
John Davies.....	Postmaster General.....	17 Aug., 1877...	17 Dec., 1877.	
FARNELL MINISTRY—No. 18.				
James Squire Farnell	Secretary for Lands.....	18 Dec., 1877...	20 Dec., 1878.	In receipt of a pension of £426 13s. 4d. per annum, but not drawn during present tenure of office.
Michael Fitzpatrick.....	Colonial Secretary			
Henry Emanuel Cohen	Colonial Treasurer			
Joseph Leary	Minister of Justice and Public Instruction.			
John Sutherland	Secretary for Public Works	17 Aug., 1877...	17 Dec., 1877.	Appointed Secretary for Lands.
William John Foster	Attorney General.....			
William Henry Suttor ...	Secretary for Mines.....			
John Fitzgerald Burns ...	Postmaster General.....			
succeeded by Archibald Hamilton Jacob.	Secretary for Lands.....			
James Squire Farnell	Secretary for Public Works	17 Aug., 1877...	19 Nov., 1877...	Resigned.
Michael Fitzpatrick.....		Attorney General.....		
Henry Emanuel Cohen	Secretary for Mines.....	17 Aug., 1877...	19 Nov., 1877...	Resigned.
Joseph Leary		Attorney General.....		
John Sutherland	Secretary for Lands.....	17 Aug., 1877...	19 Nov., 1877...	Resigned.
William John Foster		Attorney General.....		
William Henry Suttor ...	Secretary for Public Works	17 Aug., 1877...	19 Nov., 1877...	Resigned.
John Fitzgerald Burns ...		Attorney General.....		
succeeded by Archibald Hamilton Jacob.	Secretary for Mines.....	17 Aug., 1877...	19 Nov., 1877...	Resigned.
John Davies.....		Attorney General.....		
NOTE:— John Marks, M.L.C., was appointed on the 14th January, 1878, Vice-President of the Executive Council and Representative of the Government in the Legislative Council.				
PARKES MINISTRY—No. 19.				
Sir Henry Parkes, K.C.M.G.	Colonial Secretary	21 Dec., 1878...	Still in office.	Vice-President of the Executive Council; Representative of the Government in the Legislative Council.
James Watson.....	Colonial Treasurer			
William Charles Windeyer	Attorney General			
James Hoskins.....	Secretary for Lands.....			
John Lackey	Secretary for Public Works			
Saul Samuel, C.M.G.	Postmaster General.....			
Ezekiel Alexander Baker...	Secretary for Mines.....			
Francis Bathurst Suttor...	Minister of Justice and Public Instruction.			
Sir John Robertson, K.C.M.G.			

BLUE BOOK OF

EXECUTIVE COUNCIL.

RETURN of MEMBERS composing the EXECUTIVE COUNCIL during the Year 1878.

Name.	From	To	Whether holding any and what other Civil or Military Office.
Sir Hercules George Robert Robinson, Knt., G.C.M.G.	3 June, 1872.....	Still in office.....	Governor and Commander-in-Chief of the Colony of New South Wales and Vice-Admiral of the same—Governor of Norfolk Island without salary.
FARNELL MINISTRY.			
The Honorable John Marks (Vice-President)	14 Jan., 1878.....	20 Dec., 1878	Representative of Government in Legislative Council.
The Honorable James Squire Farnell	18 Dec., 1877.....	20 Dec., 1878	Secretary for Lands and Premier.
The Honorable Michael Fitzpatrick			Colonial Secretary.
The Honorable Henry Emanuel Cohen			Colonial Treasurer.
The Honorable William John Foster			Attorney General.
The Honorable John Sutherland			Secretary for Public Works.
The Honorable Joseph Leary			Minister of Justice and Public Instruction.
The Honorable William Henry Suttor.....			Secretary for Mines.
The Honorable John Fitzgerald Burns			Postmaster General.
PARKES MINISTRY.			
The Honorable Sir John Robertson, K.C.M.G. (Vice-President).	21 Dec., 1878.....	Representative of Government in Legislative Council.
The Honorable Sir Henry Parkes, K.C.M.G.	21 Dec., 1878.....	Still in office.....	Colonial Secretary.
The Honorable James Watson			Colonial Treasurer.
The Honorable William Charles Windeyer...			Attorney General.
The Honorable Ezekiel Alexander Baker ...			Secretary for Mines.
The Honorable James Hoskins			Secretary for Lands.
The Honorable John Lackey			Secretary for Public Works.
The Honorable Saul Samuel, C.M.G.			Postmaster General.
The Honorable Francis Bathurst Suttor			Minister of Justice and Public Instruction.

PRESIDENTS—LEGISLATIVE COUNCIL.

SUCCESSION of PRESIDENTS of the LEGISLATIVE COUNCIL, showing the dates on which they were appointed and ceased to hold office.

Name.	From	To
The Honorable Sir Alfred Stephen	20 May, 1856	28 January, 1857.
The Honorable John Hubert Plunkett, Q.C.	29 January, 1857	6 February, 1858.
The Honorable Sir William Westbrooke Burton, Knt.	9 February, 1858	10 May, 1861.
The Honorable William Charles Wentworth	24 June, 1861.....	9 October, 1862.
The Honorable Terence Aubrey Murray	14 October, 1862	22 June, 1873.
afterwards The Honorable Sir Terence Aubrey Murray, Knt.		
The Honorable John Hay	8 July, 1873	Still holds office.
afterwards The Honorable Sir John Hay, K.C.M.G.		

MEMBERS—LEGISLATIVE COUNCIL.

RETURN of MEMBERS composing the LEGISLATIVE COUNCIL in the Year 1878.

Name.	Date of Appointment.	Whether holding any and what other Civil or Military Office.
Blaxland, The Honorable John	24 November, 1863.	
Busby, The Honorable William	1 July, 1867.	
Butler, The Honorable Edward, Q.C.	29 October, 1877.	
Byrnes, The Honorable William	24 June, 1861.	
Campbell, The Honorable John	24 June, 1861.	
Campbell, The Honorable Alexander.....	3 June, 1864.	
Campbell, The Honorable Charles.....	25 January, 1870.	
Chisholm, The Honorable James	17 October, 1864.	
Cox, The Honorable George Henry	17 June, 1863.	
Cox, The Honorable Edward King	14 July, 1874.	
Dalley, The Honorable William Bede	9 February, 1875.	
Darley, The Honorable Frederick Matthew	28 September, 1868.	
Deas-Thomson, The Honorable Sir Edward, C.B., K.C.M.G.	24 June, 1861.	
De Salis, The Honorable Leopold Fane.....	14 July, 1874.	
Docker, The Honorable Joseph	1 December, 1863.	
Foster, The Honorable William John	18 December, 1877	Attorney General, to 20 December, 1878.
Frazer, The Honorable John	14 July, 1874.	
Gordon, The Honorable Samuel Deane.....	2 September, 1861.	
Grahame, The Honorable William	19 January, 1875.	
Hay, The Honorable Sir John, K.C.M.G.....	26 June, 1867	President.
Holt, The Honorable Thomas	28 September, 1868.	
Innes, The Honorable Sir Joseph George Long, Knight ..	2 September, 1873	Chairman of Committees.
Lord, The Honorable Francis.....	17 October, 1864.	
Lord, The Honorable George William	29 October, 1877.	
Macarthur, The Honorable Sir William, Knight	17 October, 1864.	
Maclcay, The Honorable William	29 October, 1877.	
Marks, The Honorable John	14 January, 1878.	{ Representative of the Government, to the 20 December, 1878.
Moore, The Honorable Henry	28 September, 1868.	
Ogilvie, The Honorable Edward David Stuart.....	24 November, 1863.	
Owen, The Honorable Robert ¹	8 December, 1868.	
Richardson, The Honorable John	28 September, 1868.	
Robertson, The Honorable John, K.C.M.G.	21 December, 1878	{ Vice-President of the Executive Council and Representative of the Government.
Russell, The Honorable Bourn	24 June, 1861.	
Samuel, The Honorable Saul, C.M.G.	11 June, 1872.	Postmaster General, from 21 December, 1878.
Smart, The Honorable Thomas Ware	25 January, 1870.	
Smith, The Honorable John, M.D., LL.D., C.M.G.	14 July, 1874	President of the Council of Education.
Stephen, The Honorable Sir Alfred, C.B., K.C.M.G.	8 March, 1875.	
Thornton, The Honorable George	29 October, 1877.	
Watt, The Honorable John Brown	29 October, 1874.	
Weekes, The Honorable Elias Carpenter	10 July, 1865.	
White, The Honorable James	14 July, 1874.	

¹ Deceased.

SPEAKERS—LEGISLATIVE ASSEMBLY.

SUCCESSION of SPEAKERS of the LEGISLATIVE ASSEMBLY, and the dates on which they were elected, re-elected, and ceased to hold office.

Name.	Date when first elected.	Dates when re-elected.	Date of expiration of office.
The Honorable Sir Daniel Cooper.....	22 May, 1856...	23 March, 1858; 31 August, 1859	31 January, 1860—Resigned.
The Honorable Terence Aubrey Murray	31 January, 1860...	10 January, 1861.....	14 October, 1862—Appointed President of the Legislative Council.
The Honorable John Hay	14 October, 1862...	24 January, 1865.....	31 October, 1865—Resigned.
The Honorable William Munnings Arnold	1 November, 1865...	27 January, 1870; 30 April, 1872; 27 January, 1875.	1 March, 1875—Deceased.
The Honorable Sir George Wigram Allen, Knight.	23 March, 1875...	30 March, 1875; 27 November, 1877	Still holds office.

LEGISLATIVE ASSEMBLY.

NOMINAL RETURN of MEMBERS composing the LEGISLATIVE ASSEMBLY in the Year 1878.

Electoral District.	Name.	Date when Elected.	Whether holding any and what other Civil or Military Office, and Remarks.
Argyle	William Davies	} General Election, October & November, 1877.	} Resigned, and Seat declared vacant 20 December 1878; re-elected, 31 December, 1878. (See "Executive Council.")
Bairnald	Colin William Simson		
Bathurst	Francis Bathurst Suttor		
The Bogan	Walter Thomas Coonan		
Braidwood	Edward Greville		
Camden.....	Thomas Garrett		
	Arthur Onslow.....		
Canterbury	Sir Henry Parkes, K.C.M.G.		
	John Lucas		
Carcoar	Andrew Lynch.....		
The Clarence.....	Thomas Bawden		
Central Cumberland }	John Lackey		
	Andrew Hardie M'Culloch, junr. ...		
Eden	Henry Clarke		
The Glebe.....	Sir George Wigram Allen, Knt.		
Goulburn	William Teece, junr.		
The Gwydir	Thomas Gordon Gibbons Dangar ...		
Hartley	John Hurley		
The Hastings	Robert Burdett Smith		
The Hawkesbury ... }	Henry Moses		
	Alexander Bowman.....		
The Hume	George Day		
The Hunter	John Fitzgerald Burns	} General Election, October, 1877. Re-elected 29 Dec., 1877.	} See "Executive Council."
The Lower Hunter ...	Archibald Hamilton Jacob.....		
The Upper Hunter ...	John McElhone	} General Election, October & November, 1877.	} Resigned and Seat declared vacant, 20 December, 1878. (See "Executive Council.")
Illawarra	Samuel William Gray.....		
Kiama	Samuel Charles		
The Lachlan.....	James Watson		
Liverpool Plains	Hanley Bennett		
East Macquarie ... }	Sir John Robertson, K.C.M.G.* ...	} General Election, November, 1877. 1 Feb., 1878. General Election, Nov. 1877; re-elected, 28 Dec., 1877.	} Resigned 12 January, 1878. See "Executive Council."
	Edmund Webb		
	William Henry Suttor		
West Macquarie ... }	Charles Edward Pilcher.....	} General Election, Oct. & Nov., 1877.	} Deceased, 13 May, 1878.
	Stephen Scholey.....		
East Maitland	Henry Septimus Badgery.....	} 5 June, 1878. General Election, Oct., 1877; re-elected, 28 Dec., 1877.	} See "Executive Council."
West Maitland.....	Henry Emanuel Cohen		
Monaro	John Murphy	} General Election, Oct. & Nov., 1877.	} Resigned and Seat declared vacant, 13 December, 1878. (See "Executive Council.")
Morpeth	Robert Wisdom		
Mudgee	Sir John Robertson, K.C.M.G.* ...		
The Murray	Robert Barbour		
The Murrumbidgee...	Joseph Leary	} General Election, Nov., 1877; re-elected, 29 Dec., 1877.	} See "Executive Council."
Narellan	John Hurley.....		
The Nepean	Thomas Richard Smith	} General Election, Oct. & Nov., 1877.	
Newcastle	Richard Ryther Steer Bowker		
New England	Samuel Henry Terry		
Newtown	Stephen Campbell Brown		
Northumberland	Thomas Hungerford		
Orange	Edward Combes		
Paddington	John Sutherland	} General Election, Oct., 1877; re-elected, 28 Dec., 1877.	} See "Executive Council."
Parramatta	Hugh Taylor		
The Paterson	William Alexander Long	} General Election, October and November, 1877.	
	Herbert Harrington Brown		
Patrick's Plains	William Charles Browne		
Queanbeyan	James Banford Thompson		
St. Leonards.....	James Squire Farnell	} General Election, Oct., 1877; re-elected, 27 Dec., 1877.	} See "Executive Council."

* Returned for both Electoral Districts (East Macquarie and Mudgee).

NEW SOUTH WALES—1878.

Electoral District.	Name.	Date when Elected.	Whether holding any and what other Civil or Military Office, and Remarks.		
<i>LEGISLATIVE ASSEMBLY—continued.</i>					
Shoalhaven	John Roseby	} General Election, Oct. & Nov., 1877.	Elected Chairman of Committees, 12 September, 1878.		
East Sydney	John Macintosh				
	John Davies				
	James Greenwood				
West Sydney	Alexander Stuart				
	James Merriman				
	John Harris				
Tenterfield	Angus Cameron				
The Tumut	Daniel O'Connor			Resigned and Seat declared vacant, 20 December, 1878. (See "Executive Council.")	
University of Sydney	John Dillon			Resigned, and Seat declared vacant, 20 December; re- elected, 28 December, 1878. (See "Executive Council.")	
Wellington	James Hoskins			Elected Chairman of Committees, 15 March, 1878.	
The Williams	William Charles Windeyer			} General Election, Oct., 1877; re- elected, 2 Jan., 1878.	Resigned and Seat declared vacant, 20 December, 1877. (See "Executive Council.")
Windsor	John Shepherd				
Wollombi	William Johnston				
Yass Plains	Richard Driver			} General Election, Oct. & Nov., 1877.	Resigned and Seat declared vacant, 20 December, 1877. (See "Executive Council.")
Gold Fields South ...	Joseph Eckford				
Gold Fields West ...	Michael Fitzpatrick				
Gold Fields North ...	Ezekiel Alexander Baker				
	Hugo Louis Beyers				
	Henry Copeland				

PART II.

Executive and Legislative Establishments.

SUMMARY.

	PAGE.
His Excellency the Governor	14
Executive Council	14
Legislative Council	14
Legislative Assembly	15
Legislative Council and Assembly	15
Parliamentary Library	15

EXECUTIVE AND LEGISLATIVE.

Office.	Name.	Date of Appointment.	By whom appointed, and under what Instrument.	Annual Salary.			Date of first Appointment under the Colonial Government.
				£	s.	d.	
GOVERNOR IN CHIEF.							
His Excellency the Governor and Commander-in-Chief.	Sir Hercules George Robert Robinson, G.C.M.G. ¹	23 Feb., 1872 Entered upon official duty, 3 June, 1872	Her Majesty, by Commission under the Great Seal of the United Kingdom.	7,000	0	0	3 June, 1872.
Private Secretary	Charles Edward Riddell ²	11 Dec., 1877	Governor	400	0	0	11 Dec., 1877.
	succeeded by The Honorable Henry Stuart Littleton.	20 Jan., 1878	Ditto	400	0	0	20 Jan., 1878.
Aide-de-Camp	Edward Beauchamp St. John. ³	3 June, 1872	Ditto	200	0	0	3 June, 1872.
Clerk to Private Secretary..	William Byrnes	1 July, 1871	Governor and Executive Council	315	0	0	1 July, 1871.
Messenger (1) ⁴	150	0	0
Mounted Orderlies:—	9/6 ^p diem.		
Sergeant (1)	{ 1 at 7/6 "		
Orderlies (3)	{ 2 at 7/- "			each.
¹ Allowed a residence. Governor of Norfolk Island without salary. ² To the 19th January—resigned. ³ Allowed £173 per annum lodging money, and £146 per annum in lieu of forage and incidental expenses. Captain, 35th Regiment of Foot. ⁴ Allowed a house.							
EXECUTIVE COUNCIL.							
Clerk of the Executive Council.	Alexander Campbell Budge	16 Oct., 1863	Governor and Executive Council	600	0	0	1 Nov., 1858.
Clerk	Vere Hunt ¹	12 July, 1875	Ditto	150	0	0	17 Sept., 1863.
	succeeded by Samuel Frederick Follett Milford. ²	1 Mar., 1878	Ditto	150	0	0	15 April, 1875.
	succeeded by B. G. Levick	1 July, 1878	Ditto	150	0	0	1 July, 1878.
Messenger (1)	150	0	0
Office-keeper (1) ³	18	0	0
¹ Exchanged appointments with Mr. Milford of the Lands Department ² To 30th June. ³ Office-keeper, Colonial Secretary's Office, 3/4 per diem.							
LEGISLATIVE COUNCIL.							
President	Sir John Hay, K.C.M.G.	8 July, 1873	Governor and Executive Council, by Commission under the Great Seal of the Colony.	1,200	0	0	3 Oct., 1856.*
Chairman of Committees ...	Sir Joseph George Long Innes, Knt.	24 Nov., 1875	Elected by Legislative Council (Sessionally.)	500	0	0	6 June, 1870.*
Clerk of the Council and Clerk of the Parliaments.	John Jackson Calvert	1 April, 1871	Governor and Executive Council, by Commission under the Great Seal of the Colony.	700	0	0	1 Aug., 1853.
Clerk Assistant	Adolphus Philip Clapin ..	1 April, 1871	Governor and Executive Council	500	0	0	1 Aug., 1850.
Usher of the Black Rod ...	Henry John Tudor Shadforth.	27 June, 1860	Governor and Executive Council, by Commission under the Great Seal of the Colony.	400	0	0	16 May, 1856.
Shorthand Writer	John Agar Scarr	20 May, 1856	Governor and Executive Council	550	0	0	4 May, 1847.
1st Clerk	Stewart Marjoribanks Mowle ..	1 April, 1871	Ditto	400	0	0	21 Aug., 1852.
2nd Clerk	Leonard Smirnoff Cooper ..	1 April, 1871	Ditto	300	0	0	17 Dec., 1858.
3rd Clerk	William Leonard Edwards ..	1 April, 1871	Ditto	250	0	0	21 June, 1864.
4th Clerk	Edward Adam Garland	14 Oct., 1874	Ditto	200	0	0	14 Oct., 1868.
Principal Messenger (1) ¹	1 Nov., 1871	The President	150	0	0
Doorkeeper (1)	Ditto	140	0	0
Assistant Messengers (2)	Ditto	125	0	0	each.
Extra Messengers (2)	Ditto	125	0	0	"
¹ Allowed quarters. * Services not continuous. NOTE. —The Clerk of the Council, &c., gives security to the amount of £300.							

NEW SOUTH WALES—1878.

15

Office.	Name.	Date of Appointment.	By whom appointed, and under what Instrument.	Annual Salary.			Date of first Appointment under the Colonial Government.
				£	s.	d.	
LEGISLATIVE ASSEMBLY.							
Speaker	Sir George Wigram Allen	30 Mar., 1875 re-elected 27 Nov., 1877	Elected by Legislative Assembly	1,200	0	0	9 Dec., 1873.*
Chairman of Committees ...	Thomas Garrett ¹	22 Jan., 1878	Ditto	500	0	0	8 Mar., 1865.*
	Richard Driver ²	15 Mar., 1878	Ditto	500	0	0	8 Nov., 1872.*
Clerk of Assembly	Angus Cameron	12 Sept., 1878	Ditto	500	0	0	12 Sept., 1878.
	Stephen Wilson Jones ³ ...	22 Oct., 1869	Governor and Executive Council, by Commission.	800	0	0	2 Nov., 1843.*
Acting ditto	Frederick William Webb ⁴	6 Feb., 1877	Ditto	600	0	0	20 Oct., 1851.
Clerk Assistant	Frederick William Webb..	1 Feb., 1873	Governor and Executive Council				
2nd Clerk Assistant	John Arthur Vivian ⁵	1 Feb., 1873	Ditto	500	0	0	1 Nov., 1855.
Sergeant-at-Arms	Laurence Joseph Harnett..	7 May, 1873	Governor and Executive Council, by Commission.	400	0	0	25 Sept., 1860.*
Shorthand Writer	James Hugh Palmer	28 June, 1858	Governor and Executive Council	600	0	0	1 Jan., 1844.
Clerk of Records	Richard Aldous Arnold ...	7 May, 1873	Ditto	400	0	0	3 Jan., 1867.
Clerk of Select Committees..	Richard Windeyer Robert- son.	7 May, 1873	Ditto	350	0	0	13 Nov., 1866.
Clerk of Printing Branch...	William Munnings Mont- tagu Arnold.	7 May, 1873	Ditto	300	0	0	1 Feb., 1867.
Clerk in Charge of Printed Papers.	Sidney Alfred Lindeman...	7 May, 1873	Ditto	250	0	0	7 May, 1873.
Clerks	Charles Broughton Boy- dell.	1 Feb., 1873	Ditto	250	0	0	1 Feb., 1873.
	Frank Walsh	4 Aug., 1874	Ditto	175	0	0	4 Aug., 1874.
Principal Messenger (1) ...	James Macalister	1 Jan., 1876	Ditto	150	0	0	1 Jan., 1876.
Principal Doorkeeper (1)	Clerk of Legislative Assembly ...	200	0	0
Assistant Messengers (2)	Ditto	150	0	0
Extra Messengers (6)	Ditto	140	0	0
	Ditto	125	0	0
.....	Speaker.....	125	0	0	each.

¹ To the 13th March—Resigned. ² To the 11th September—Resigned.
leave of absence for twelve months from the 6th February, 1877—resumed duty 6th February, 1878. ³ Gives security to the amount of £300; allowed
absence for twelve months from 1st March. ⁴ To 5th February. See below. ⁵ Allowed leave of

LEGISLATIVE COUNCIL AND ASSEMBLY.

Steward and Housekeeper...	William George Cassidy ¹ ...	23 Oct., 1875	Governor and Executive Council	225	0	0	23 Oct., 1875.
Assistant Housekeeper (1) ²	President of the Legislative Council and Speaker of the Legislative Assembly.	75	0	0	
Watchman (1)	Ditto	125	0	0	each.
House Servant (1) ³	Ditto	125	0	0	
Stable-man (1) ³	Ditto	125	0	0	
Outdoor Servant (1)	Ditto	125	0	0	
Cook (1)	Ditto	150	0	0	
Refreshment-room Waiters (3).	Ditto	125	0	0	
Female Servants (3) ²	Ditto	65	0	0	
Scullery-maid (1) ²	Ditto	65	0	0	..

¹ Allowed a house, fuel, and light. ² Allowed quarters. ³ Allowed a house.

PARLIAMENTARY LIBRARY.

Assistant Librarian	Conrad Martens ¹	6 Oct., 1863	Governor and Executive Council	300	0	0	6 Oct., 1863.
Second do.	Robert Rogers	1 Jan., 1863	Ditto	300	0	0	5 April, 1861.
Attendant (1)	Clerk of Legislative Assembly ...	200	0	0

¹ Gives security to the amount of £200. To the 21st August—deceased.

PART III.

Branch Royal Mint.

SUMMARY.

	PAGE.
Branch Royal Mint	18

BRANCH ROYAL MINT.

Office.	Name.	Date of Appointment.	By whom appointed, and under what Instrument.	Annual Salary. £ s. d.	Date of first Appointment under the Colonial Government.
BRANCH ROYAL MINT.					
Deputy Master	Robert Hunt	1 Jan., 1878	Her Majesty, by Warrant under the Royal Signet and Sign Manual.	1,150 0 0	
Senior Clerk and Coiner ...	William Fredk. Gibson ¹ ...	1 April, 1872	Warrant of the Lords of the Treasury.	600 0 0	
Senior Clerk and Melter ...	Edward Offord Heywood ²	1 Oct., 1870	Ditto	540 0 0 to 30 June. 600 0 0 from 1 July.	
Senior Assayer	Adolph Leibius	18 Aug., 1870	Ditto	630 0 0 to 30 June. 700 0 0 from 1 July.	
Assayer	John Warner M'Cutcheon	1 Oct., 1870	Ditto	540 0 0	
Senior Clerks	Lyndon Bolton Carpenter	1 Jan., 1859	The Lords of the Treasury	400 0 0 to 30 June. 500 0 0 from 1 July.	
	John Ford Adams	1 July, 1861	Ditto	400 0 0 to 30 June. 450 0 0 from 1 July.	
Deputy Master's Clerk and Registrar.	Arthur Forster French ...	14 June, 1875	Ditto	210 0 0	
Junior Clerk	Henry Kennedy Kelly ³	1 Jan., 1874	Ditto	150 0 0	
Assay Clerk	Edward Henry Arnheim...	1 July, 1878	Ditto	185 0 0	
Junior Clerks	Edward Henry Arnheim ⁴	14 June, 1875	Ditto	135 0 0	
	David John Kirkwood Colley.	1 Jan., 1876	Ditto	120 0 0	
	Edward Joseph Brookes Du Moulin.	1 Jan., 1876	Ditto	120 0 0	
Probationary Junior Clerk	Arthur Polglase Fletcher	1 Dec., 1878	Ditto	100 0 0	
Assistant Clerk and Store-keeper.	Archibald Gardner	1 Jan., 1869	Ditto	300 0 0	
Weigher and Balance Mechanician.	Charles Bolton	1 Jan., 1867	Ditto	250 0 0	
Foreman of Machinery, and Engineer.	Joseph Newton	14 May, 1855	Ditto	300 0 0	
Foreman of Melting Department.	Richard Whiting	1 Jan., 1869	Ditto	250 0 0	
First Foreman of Coining Department.	Henry Bradstock	22 Nov., 1853	Ditto	250 0 0	
Second ditto	William Hill	1 July, 1876	Ditto	200 0 0	
Foreman of Refining Department.	Thomas Gilchrist	1 Jan., 1872	Ditto	230 0 0	
Messenger and Office-keeper (1) ⁵	Ditto	150 0 0	
Housekeeper (1) ⁵	Ditto	50 0 0	

¹ Allowed quarters—To 29 April, deceased.² Allowed quarters.³ To 11 May, deceased.⁴ Promoted.⁵ Allowed quarters and fuel.

NOTE.—The Sydney Branch of the Royal Mint is under the immediate control of the Lords Commissioners of Her Majesty's Treasury.

PART IV.

Colonial Secretary,

AND THE

DEPARTMENTS UNDER HIS SUPERVISION AND CONTROL.

SUMMARY.

Colonial Secretary	20	Lunatic Asylums— <i>contd.</i> :—	
Registrar General.....	20	Lunatic Receiving House, Darlinghurst	36
Department of Audit	23	Lunatic Asylum for Imbeciles and Institution for Idiots, Newcastle.....	36
Industrial Schools—		Lunatic Asylum, Callan Park	36
Nautical School Ship “Vernon”...	24	Lunatic Asylum, Cooma ...	37
Biloela Industrial School for Girls...	24	Inspector of Public Charities	37
Biloela Reformatory for Girls	24	Government Asylums for the Infirm and Destitute.....	37
Inspector General of Police.....	24	Commissioners to advise the Govern- ment in matters connected with the Defence of the Colony from Foreign Aggression	37
Comptroller General of Prisons	25	Permanent and Volunteer Military Forces :—	
Gaols—Darlinghurst	26	Permanent Military Forces ...	37
Parramatta	26	Volunteer Artillery.....	38
Bathurst	27	Staff	39
Maitland	27	Volunteer Infantry	40
Goulburn	27	Torpedo and Signalling Corps	44
Berrima	27	Naval Brigade	45
Wagga Wagga	28	Agent General for the Colony.....	45
Yass	28	Inspector of Kerosene for the Colony	45
Albury.....	28	Paris Universal Exhibition of 1878— The Commission	46
Braidwood	28	Commissioners for the management and carrying out of an Inter- national Exhibition in Sydney in the month of August, 1879	47
Armidale	28	Royal Commission to enquire into and report upon the general man- agement and discipline of the Gaol at Berrima	47
Port Macquarie	28	Erysipelas Hospital, Parramatta.....	47
Mudgee	29		
Deniliquin	29		
Young	29		
Police Gaols	29		
Immigration Agent	30		
Immigration Board	30		
Medical Board	31		
Medical Adviser, Vaccination, Medical Officers, &c.	31		
Lunatic Asylums—Board of Visitors	35		
Asylums generally	35		
Hospital for the Insane, Gladesville	35		
Lunatic Asylum, Parramatta	35		

BLUE BOOK OF
COLONIAL SECRETARY.

Office.	Name.	Date of Appointment.	By whom appointed, and under what instrument.	Annual Salary.			Date of first Appointment under the Colonial Government.
				£	s.	d.	
COLONIAL SECRETARY.							
Colonial Secretary	Michael Fitzpatrick ¹	18 Dec., 1877	Governor by Commission	2,000	0	0	7 Oct., 1837.*
	succeeded by		Ditto	2,000	0	0	14 May, 1861.*
Under Secretary	Sir Henry Parkes, K.C.M.G. Henry Halloran, J.P. ²	21 Dec., 1878 19 Feb., 1866	Governor and Executive Council, by Commission.	800	0	0	1 May, 1827.
	succeeded by		Ditto	800	0	0	1 Jan., 1846.
Chief Clerk	Maxwell Rennie Allan	21 Jan., 1878	Governor and Executive Council	600	0	0	20 May, 1835.
Clerks—First	William Goodman	20 Jan., 1866	Ditto	450	0	0	1 Jan., 1846.
	succeeded by		Ditto	450	0	0	28 Oct., 1856.*
Second	Critchett Walker	21 Jan., 1878	Ditto	400	0	0	28 Oct., 1856.*
	succeeded by		Ditto	350	0	0	7 Nov., 1862.
Third	Edward Wise M'Kenny	21 Jan., 1878	Ditto	300	0	0	7 Nov., 1862.
	succeeded by		Ditto	325	0	0	1 Sept., 1868.
Fourth	John James Macartney Beatty M.A., LL.D. John James Macartney Beatty, M.A., LL.D.	21 Jan., 1878 28 April, 1872	Administrator of Government and Executive Council.	300	0	0	1 Sept., 1868.
	succeeded by		Governor and Executive Council	250	0	0	13 Dec., 1865.
Fifth	Thomas Pedder M'Levie... Thomas Pedder M'Levie... ..	21 Jan., 1878 1 Mar., 1874	Ditto	200	0	0	13 Dec., 1865.
	succeeded by		Ditto	225	0	0	4 May, 1867.
Sixth	James John Taylor	21 Jan., 1878	Ditto	175 to 20 Jan. 200 fr. 21 Jan.			1 Sept., 1868.
Seventh	John George Cohen	1 Mar., 1874	Ditto	150	0	0	4 May, 1867.
	succeeded by		Ditto	150	0	0	1 Jan., 1875.
Eighth	James Edward Ormiston... James Edward Ormiston... ..	21 Jan., 1878 22 April, 1875	Ditto	100	0	0	1 Jan., 1875.
	succeeded by		Ditto	100	0	0	1 Jan., 1875.
Junior	Thomas William Leahy ... Thomas William Leahy James Adam Brodie	21 Jan., 1878 22 April, 1875 12 April, 1875	Ditto	75 50 to 20 Jan.	0 0 0	0 0 0	12 April, 1875.
				75	0	0	
				from 21 Jan.			
Messengers (4)	1 at 1 ³ at 1 at 1 at	153 150 92 90	0 0 0 0	
Officekeeper (1) ⁴	0	3	4	per diem.
¹ In receipt of a Pension of £26 13s. 4d. per annum, but not drawn during present tenure of office. ² To the 20th January—retired on a Pension. ³ Allowed quarters. ⁴ Allowed quarters, fuel, and light; Officekeeper, Executive Council Office, £18 per annum. * Services not continuous.							
REGISTRAR GENERAL.							
Registrar General and Chairman of Land Titles Commissioners	Edward Grant Ward, J.P.	15 Dec., 1870	Governor and Executive Council	700	0	0	1 Jan., 1863.
STATISTICAL BRANCH.							
Compiler of General Statistics.	Henry Charles Edwin Newcombe.	1 Oct., 1858	Ditto	350	0	0	22 April, 1852.
Examiner and Compiler of Vital Statistics.	William Lachlan Dawes...	29 Jan., 1869	Ditto	250	0	0	8 Sept., 1858.
Corresponding and Record Clerk.	William Alexander Abbott	1 Sept., 1875	Ditto	200	0	0	16 Mar., 1859.
Clerks	Samuel Charles James Evelyn.	1 June, 1863	Ditto	175	0	0	1 June, 1863.
	William Ridley, junr.....	26 Aug., 1872	Ditto	150	0	0	26 Aug., 1872.
	George Coleridge Nixon ¹ ...	19 Nov., 1877	Ditto	150	0	0	1 Oct., 1877.
	succeeded by		Ditto	150	0	0	1 July, 1872.
	Edmund Conroy Hopkins... Robert William Codring- ton. ²	1 Oct., 1878 1 July, 1874	Ditto	75	0	0	29 Sept., 1872.
	Henry John Noble	1 Jan., 1876	Ditto	50	0	0	12 July, 1875.
				to 30 Sept.			
				75	0	0	
				from 1 Oct.			
Messenger (1)	Michael Cooper	29 Oct., 1878	Ditto	50	0	0	29 Oct., 1878.
			Registrar General	100	0	0	
LAND TITLES BRANCH.							
Land Titles Commissioners	Richard Jones	1 Jan., 1863	Governor and Executive Council	258	2	6	7 Sept., 1857.*
	Alexander Walker Scott...	4 June, 1866	Ditto	258	2	6	4 June, 1866.
Examiners of Titles	Edmund Burton	6 July, 1868	Ditto	800	0	0	— Mar., 1841.*
	Alexander Oliver ³	13 July, 1874	Ditto	800	0	0	1 Aug., 1865.
	succeeded by		Ditto	800	0	0	1 Oct., 1878.
	Henry Dyer Maddock.....	1 Oct., 1878	Ditto	800	0	0	13 July, 1874.
	John Booth Jones	13 July, 1874	Ditto	450	0	0	3 Dec., 1853.
Deputy Registrar General...	Charles John Muddle	15 Dec., 1870	Ditto	500	0	0	1 Oct., 1855.
Principal Draftsman	Robert Mead Pearson	1 April, 1866	Ditto	300	0	0	1 Jan., 1863.
Clerk to Examiners	Jonas Lander	1 Jan., 1863	Ditto				
¹ To 30 September—appointed Clerk in the Treasury. ² Transferred to Land Titles Branch. ³ To 31 May—appointed Parliamentary Draftsman. * Services not continuous.							

NEW SOUTH WALES—1878.

Office.	Name.	Date of Appointment.	By whom appointed, and under what Instrument.	Annual Salary.	Date of first Appointment under the Colonial Government.
				£ s. d.	
COLONIAL SECRETARY—REGISTRAR GENERAL—continued.					
LAND TITLES BRANCH—continued.					
Assistant Clerk to Examiners	Hugh Charles Hiddilston	19 Jan., 1877	Governor and Executive Council	100 0 0	19 Jan., 1877.
Assistant Draftsman	Wilfred De Courcy Lewis	1 July, 1874	Ditto	300 0 0	16 Mar., 1863.
Junior Assistant Draftsmen	James Lyon Spark	23 July, 1874	Ditto	250 0 0	3 June, 1863.
	Albert Newcombe	13 Jan., 1869	Ditto	125 0 0	16 Oct., 1863.†
				to 30 April	
				175 0 0	
				from 1 May	
	Charles Thomas Board	12 Sept., 1872	Ditto	125 0 0	12 Sept., 1872.
	William Frederic Kloster	30 May, 1878	Ditto	125 0 0	30 May, 1878.
	George Hulton Smythe King ¹	1 June, 1876	Ditto	75 0 0	1 June, 1876.
	succeeded by				
Counter Clerk	Henry George Baylis	26 Mar., 1878	Ditto	75 0 0	26 Mar., 1878.
Corresponding Clerk	William Shirley Muddle	15 Dec., 1870	Ditto	250 0 0	1 Jan., 1863.
	Frederick Charles William Elyard.	1 Mar., 1864	Ditto	225 0 0	1 April, 1857.
Extra Counter Clerk	Charles Hardwick Keele	1 Sept., 1876	Ditto	200 0 0	1 Mar., 1873.
Registration Clerk	Michael Joseph Fitzpatrick	1 Jan., 1877	Ditto	150 0 0	1 Jan., 1877.
Clerks	John Connery	19 Aug., 1875	Ditto	150 0 0	7 April, 1859.†
	Edmund Conroy Hopkins ²	12 July, 1875	Ditto	125 0 0	1 July, 1872.
	succeeded by				
	Robert William Codrington	1 Oct., 1878	Ditto	125 0 0	29 Sept., 1872.
	Edwin Arthur Parnell	17 April, 1875	Ditto	75 0 0	17 April, 1875.
	Henry Stanley Jeanneret	1 June, 1877	Ditto	75 0 0	1 June, 1877.
	Arthur Ethelbert Fitzgerald Canning ³	21 June, 1877	Ditto	50 0 0	9 Jan., 1877.
	succeeded by				
Messenger	Edward Tasman Deane	30 Aug., 1878	Ditto	50 0 0	30 Aug., 1878.
Book Porter	(1) ⁴		Registrar General	100 0 0	
				50 0 0	
DEEDS BRANCH.					
Deputy Registrar of Deeds	James Boscawen Duff	13 Dec., 1866	Governor under Act 20 Vic., No. 27.	300 0 0	1 Nov., 1853.
Clerk	Henry Wheeler Gillam	6 May, 1867	Governor and Executive Council	200 0 0	6 May, 1867.
Cashier	John Duff	1 May, 1875	Ditto	175 0 0	1 July, 1854.†
Clerks	Frederick Yarnton	19 Jan., 1877	Ditto	150 0 0	26 Sept., 1870.
	Thomas Crawford Abbott	22 July, 1877	Ditto	50 0 0	22 July, 1877.
Book Porter (1)			Registrar General	120 0 0	
Office-keeper to Department (1) ⁵			Ditto	50 0 0	
DISTRICT REGISTRARS OF BIRTHS, DEATHS, AND MARRIAGES.					
Sydney	Edward Grant Ward, J.P.	15 Dec., 1870	Governor and Executive Council	(See p. 20)	1 Jan., 1863.
Balmain	William Parker	4 July, 1861	Registrar General	*	4 July, 1861.
Newtown	Charles Alfred Newman	9 April, 1857	Ditto	*	9 April, 1857.
Glebe	W. R. Cobbin	16 Nov., 1875	Ditto	*	16 Nov., 1875.
Redfern	Christopher Warburton	30 Oct., 1865	Ditto	*	30 Oct., 1859.
Waterloo	T. A. Salmon	1 April, 1874	Ditto	*	1 April, 1874.
Paddington	Henry Gale	1 July, 1863	Ditto	*	5 Dec., 1856.†
„ Waverley (Assistant)	W. Wiley	1 Aug., 1876	Ditto	*	1 Aug., 1876.
„ Randwick do.	William Bethune	1 Feb., 1878	Ditto	*	1 Feb., 1871.
„ Woollahra do.	John Byrne	1 Aug., 1878	Ditto	*	1 Aug., 1878.
Concord	Michael B. Young	24 May, 1877	Ditto	*	24 May, 1877.
St. George	Theophilus Henry Bolger	13 Oct., 1866	Ditto	*	13 Oct., 1866.
St. Leonards	Robert Dalzell Ward	28 Feb., 1856	Ditto	*	27 Sept., 1853.
„ Manly (Assistant)	Æmelia M. Stephen	1 July, 1877	Ditto	*	1 July, 1877.
Country Districts—					
Albury	James Chas. W. Crommelin	8 July, 1872	Ditto	*	8 July, 1872.
Armidale	E. Marriott	1 Mar., 1876	Ditto	*	12 Aug., 1862.
„ Walcha (Assistant)	Milton S. Love, C.P.S.	1 Feb., 1878	Ditto	*	1 Feb., 1878.
Balranald	R. B. Mitchell, C.P.S.	7 Feb., 1867	Ditto	*	1 Mar., 1858.
Bathurst	J. Beuzeville	8 April, 1874	Ditto	*	28 Feb., 1856.
Bega	John Davis, C.P.S.	1 Jan., 1871	Ditto	*	1 Dec., 1865.
Berrima	Frederick Robertson Wilshire, P.M.	1 May, 1872	Ditto	*	1 Mar., 1862.†
„ Burrawang (Assistant)	D. Moffitt	1 Oct., 1876	Ditto	*	1 Oct., 1876.
Binalong	Wm. J. E. Wotton, C.P.S.	2 Aug., 1869	Ditto	*	17 Jan., 1862.
„ Grenfell (Assistant)	G. G. Brodie, C.P.S.	1 July, 1878	Ditto	*	19 Mar., 1858.
Bombala	James Giles, C.P.S.	24 Jan., 1871	Ditto	*	3 June, 1862.
Bourke	Louis F. Layard, C.P.S.	26 Oct., 1874	Ditto	*	1 Oct., 1868.
Braidwood	W. F. Robertson, C.P.S.	2 Aug., 1869	Ditto	*	19 April, 1861.
Brisbane Water	Thos. C. Battley, C.P.S.	9 July, 1856	Ditto	*	8 Aug., 1843.
Broulee	William Clarke, C.P.S.	1 Oct., 1876	Ditto	*	5 Sept., 1876.
Camden	John B. Martin, C.P.S.	14 Aug., 1856	Ditto	*	1 Sept., 1852.
Campbelltown	Hubert Dillon, C.P.S.	2 Oct., 1878	Ditto	*	1 Jan., 1873.
Carcoar	Wm. Badcock Warner	1 Oct., 1877	Ditto	*	
† Cassilis	L. W. A. Macarthur C.P.S.	1 July, 1878	Ditto	*	17 Oct., 1854.
Clarence Town	A. Newman	1 Oct., 1876	Ditto	*	
Cooma	G. H. Smithers, C.P.S.	12 Sept., 1875	Ditto	*	22 Oct., 1868.
Coonabarabran	Fredk. W. Edwards, P.M. and C.P.S.	25 Nov., 1863	Ditto	*	28 Oct., 1863.
„ Coonamble (Assist.)	Robt. R. Bailey, P.M.	1 April, 1878	Ditto	*	1 April, 1878.
Cowra	John Arkins, C.P.S.	14 Nov., 1870	Ditto	*	1 June, 1868.
Deniliquin	W. H. Hooper	1 June, 1874	Ditto	*	1 June, 1874.
Dubbo	Luke M'Guinn, C.P.S.	1 Aug., 1863	Ditto	*	1 Nov., 1861.

¹ To 14 February—resigned. ² Transferred to Statistical Branch. ³ To 19 August—resigned. ⁴ Allowed quarters. ⁵ Allowed quarters, fuel, and light.
† Services not continuous. ‡ W. A. Brodie acting from 1 February, 1878. Places marked thus * denote that 3s. per entry is allowed.

Office.	Name.	Date of Appointment.	By whom appointed, and under what Instrument.	Annual Salary. £ s. d.	Date of first Appointment under the Colonial Government.
COLONIAL SECRETARY—REGISTRAR GENERAL—continued.					
DISTRICT REGISTRARS, &c.—continued.					
Country Districts—contd.					
Dungog	C. G. Smith, C.P.S.	17 Sept., 1875	Registrar General		1 May, 1861.
Eden	Richd. B. Hays, C.P.S.	1 Jan., 1877	Ditto		1 Sept., 1875.
Forbes	Stephen Freeman, C.P.S.	1 Sept., 1873	Ditto		22 Oct., 1862.
„ Parkes (Assistant)	W. C. Weston, C.P.S.	1 July, 1878	Ditto		23 June, 1864.
Condobolin	Wm. Pyc, Acting C.P.S.	7 Oct., 1878	Ditto		
Goulburn	Chas. S. Alexander, C.P.S.	31 Mar., 1862	Ditto		8 Feb., 1861.
Grafton	William H. Thomas, C.P.S.	1 April, 1874	Ditto		12 April, 1864.
„ Maclean (Assistant)	Samuel MacNaughton	1 June, 1872	Ditto	*	1 June, 1870.
Gundagai	Archibald Scott Smith	1 Feb., 1872	Ditto	*	20 July, 1865.
„ Adelong (Assistant)	John James	5 May, 1877	Ditto	*	5 May, 1877.
„ Cootamundra	C. H. B. Primrose, C.P.S.	1 Sept., 1878	Ditto	*	22 Aug., 1872.
Hartley	William P. McDermott	25 July, 1869	Ditto	*	25 July, 1869.
Hay	W. A. Brodie, C.P.S.	1 Oct., 1878	Ditto	*	1 May, 1874.
„ Hillston (Assistant)	Neil C. O'Neill	1 Oct., 1878	Ditto	*	26 April, 1870.
Inverell	W. C. Cardew, C.P.S.	1 April, 1875	Ditto	*	14 Aug., 1873.
Kiama	Henry Connell, jun., P.M.	5 June, 1863	Ditto	*	21 Aug., 1844.
Liverpool	William Long	8 June, 1866	Ditto	*	8 June, 1866.
Manning River	Jasper Albert Creagh, C.P.S.	15 May, 1856	Ditto	*	1 May, 1856.
M'Donald River	Thomas J. Thompson	21 April, 1877	Ditto	*	21 April, 1877.
M'Leay River	John B. Casey, C.P.S.	1 April, 1877	Ditto	*	21 April, 1853.
„ Boat Harbour (Asst.)	A. M. Fisher, P.M.	1 Nov., 1875	Ditto	*	17 Sept., 1875.
„ Nambucca River (do)	George Henderson	5 Sept., 1877	Ditto	*	5 Sept., 1877.
Maitland	C. Delohery, C.P.S.	1 April, 1876	Ditto	*	23 July, 1860.
„ Greta (Assistant)	Thomas Jones	1 Jan., 1878	Ditto	*	1 Jan., 1878.
Menindie at Wilcannia	R. R. Morisset, P.M.	9 Feb., 1875	Ditto	*	1 Feb., 1875.
„ (Assistant)	W. A. Steele, C.P.S.	1 Oct., 1878	Ditto	*	19 Nov., 1872.
Moama	L. S. Donaldson, C.P.S.	1 Jan., 1878	Ditto	*	1 Mar., 1870.
Molong	J. H. Nisbet, C.P.S.	1 Nov., 1875	Ditto	*	1 Sept., 1875.
Morpeth	John Keating	16 Sept., 1872	Ditto	*	1 July, 1858.†
Moulamein	Thomas Linton	13 July, 1860	Ditto	*	13 July, 1860.
Mudgee	F. S. Isaacs, C.P.S.	1 Oct., 1876	Ditto	*	1 Jan., 1868.
„ Gulgong (Assistant)	C. Coghlan, C.P.S.	1 April, 1878	Ditto	*	1 April, 1878.
Murrurundi	George R. Evans, C.P.S.	1 April, 1878	Ditto	*	1 April, 1878.
Muswellbrook	Timothy Foley, C.P.S.	1 Dec., 1867	Ditto	*	1 Dec., 1867.
Narrabri	Charles Edward Smith, P.M.	16 May, 1859	Ditto	*	25 Mar., 1851.
Newcastle	John Burrowes	28 Feb., 1856	Ditto	*	28 Feb., 1856.
„ Lambton (Assistant)	William F. Dent	13 Aug., 1874	Ditto	*	13 Aug., 1874.
„ Wallsend do	F. Alhwick	1 Jan., 1875	Ditto	*	1 Jan., 1875.
Nundle	Samuel Kermode	2 Mar., 1874	Ditto	*	2 Mar., 1874.
Orange	William T. Evans, C.P.S.	20 Feb., 1856	Ditto	*	20 April, 1851.
Parramatta	George Wickham, C.P.S.	1 Oct., 1878	Ditto	*	5 Mar., 1847.
Paterson	B. Newbery	22 Mar., 1858	Ditto	*	22 Mar., 1858.
Patrick's Plains	Frederick Thomas Robinson	1 Nov., 1872	Ditto	*	1 Nov., 1872.
Penrith	John K. Cleve, C.P.S.	2 Aug., 1869	Ditto	*	3 July, 1865.
Picton	William R. Antill	30 Mar., 1857	Ditto	*	30 Mar., 1857.
Port Macquarie	Robert Issell Perrott, C.P.S.	1 Oct., 1873	Ditto	*	1 Aug., 1859.
Port Stephens	Thomas Laman, C.P.S.	2 Mar., 1874	Ditto	*	13 April, 1859.
Queanbeyan	Frederick B. Russell, P.M.	1 July, 1869	Ditto	*	3 Aug., 1864.
Raymond Terrace	William Gloag	28 Feb., 1856	Ditto	*	28 Feb., 1856.
Richmond	R. H. Ducker	1 Jan., 1878	Ditto	*	1 Jan., 1878.
Richmond River	M. M. Campbell, C.P.S.	26 April, 1875	Ditto	*	1 April, 1875.
„ Lismore (Assistant)	Wm. Carson, C.P.S.	1 Nov., 1878	Ditto	*	30 Oct., 1872.
Ryde	George M. Pope, C.P.S.	30 Mar., 1857	Ditto	*	30 Mar., 1857.
Rylstone	William W. Armstrong, C.P.S.	5 Mar., 1857	Ditto	*	1 July, 1854.
Scone	James Thompson Wilshire, C.P.S.	1 May, 1872	Ditto	*	1 Sept., 1862.†
Shoalhaven†	William Lovegrove, C.P.S.	2 Aug., 1869	Ditto	*	1 Jan., 1857.
Sofala	W. O. Newbery	23 Sept., 1875	Ditto	*	23 Sept., 1875.
Tambaroora	James Sydney Willard	1 June, 1872	Ditto	*	1 June, 1872.
„ †Hill End (Assistant)	A. B. Burne, C.P.S.	1 Oct., 1878	Ditto	*	1 Oct., 1878.
Tamworth	John M'Donald, C.P.S.	9 May, 1859	Ditto	*	6 Feb., 1851.
„ Gunnedah (Assistant)	T. K. Abbott, C.P.S.	16 Mar., 1878	Ditto	*	14 Dec., 1867.
Tenterfield	J. Simons, C.P.S.	1 Sept., 1875	Ditto	*	1 Sept., 1875.
Tweed River	James Bray	14 Oct., 1866	Ditto	*	1 Jan., 1866.
Tumut	Henry Hilton	20 Feb., 1856	Ditto	*	20 Feb., 1856.†
Ulladulla	Samuel M. Burrows, C.P.S.	15 Jan., 1870	Ditto	*	15 Nov., 1870.
Wagga Wagga	Edwin H. Tompson, C.P.S.	1 Nov., 1878	Ditto	*	29 Jan., 1864.
„ Urana (Assistant)	C. L. C. Badham, C.P.S.	2 Aug., 1869	Ditto	*	19 Aug., 1870.
„ Narrandera (Assist.)	Jno. L. King, C.P.S.	1 Nov., 1878	Ditto	*	19 Aug., 1870.
Walgett	F. B. Hales, P.M.	1 Sept., 1878	Ditto	*	16 Aug., 1870.
Wanaldra	F. C. Macarthur, C.P.S.	1 Dec., 1875	Ditto	*	1 April, 1861.
Wellingrove	W. C. Rodgeron	1 Jan., 1877	Ditto	*	1 July, 1873.
Wellington	Frederick Marsh, C.P.S.	1 July, 1876	Ditto	*	
Wentworth	Frederick Marsh, C.P.S.	28 April, 1862	Ditto	*	8 April, 1852.
Wentworth	W. L. Richardson, P.M.	9 April, 1871	Ditto	*	11 Nov., 1862.
Windsor	Wm. H. H. Becke, C.P.S.	1 April, 1872	Ditto	*	8 June, 1853.
Wollombi	Alfred Elliott	1 April, 1874	Ditto	*	12 Mar., 1878.
Wollongong	A. A. Turner, C.P.S.	12 Mar., 1878	Ditto	*	23 May, 1848.
Yass	Leopold Yates, C.P.S.	2 Aug., 1869	Ditto	*	10 July, 1862.
„ Gunning (Assistant)	John Frederic Kenyon, C.P.S.	17 June, 1870	Ditto	*	11 Sept., 1876.
Young	J. R. Edwards, C.P.S.	1 Sept., 1877	Ditto	*	14 Mar., 1862.
„ Murrumburrah (Asst.)	Charles Cutcliffe, C.P.S.	2 Aug., 1869	Ditto	*	1 May, 1875.
Lord Howe Island	Richard R. Armstrong	14 Aug., 1876	Ditto	*	
		1 Sept., 1878	Ditto	*	

Paid by fees, at the rate of 3s. per entry, up to £30; after that, at 1s. 6d. per entry.

Places marked thus * denote that 3s. per entry is allowed. † Services not continuous.
 ‡ Hubert Dillon acting for Shoalhaven from 5 May, 1878; and for Hill End from 1 July, 1878.

NEW SOUTH WALES—1878.

23

Office.	Name.	Date of Appointment.	By whom appointed, and under what Instrument.	Annual Salary.		Date of first Appointment under the Colonial Government.
				£	s. d.	
COLONIAL SECRETARY—continued.						
DEPARTMENT OF AUDIT.						
Auditor General	Christopher Rolleston ¹ ...	10 Nov., 1864	Governor and Executive Council	900	0 0	1 Jan., 1843.
Inspector of Accounts	Edward Alexander Rennie ²	1 Jan., 1856	Governor.....	600	0 0	1 Sept., 1846.
Examiner of Expenditure Accounts.	Richard Thomas Hall.....	1 Jan., 1859	Governor and Executive Council	450	0 0	25 July, 1853.
Corresponding Clerk.....	John Sylvester Ryan ³	1 April, 1840	Governor.....	385	0 0	1 April, 1840.
Clerks	Drummond Gilchrist	4 Aug., 1858	Governor and Executive Council	350	0 0	4 Aug., 1858.
	David William Gregory ⁴ ..	21 Feb., 1862	Ditto	320	0 0	21 Feb., 1862.
	Thomas John Moppett ...	26 Sept., 1870	Ditto	350	0 0	3 June, 1853.*
	Charles Whittell	1 Mar., 1863	Ditto	300	0 0	1 Mar., 1863.
	Henry De Boos ⁵	1 May, 1875	Ditto	320	0 0	1 April, 1864.
	succeeded by Alfred Farish Hindmarsh Stephen.	18 Feb., 1878	Ditto	275	0 0	2 Nov., 1874.
	Charles Smith Gregory ...	16 Aug., 1864	Ditto	300	0 0	16 Aug., 1864.
	James Macpherson ⁶	1 June, 1862	Ditto	225	0 0	1 June, 1862.
	Ambrose Freeman	1 June, 1866	Ditto	225	0 0	1 June, 1866.
	James Mitchell	14 Jan., 1870	Ditto	200	0 0	14 Jan., 1870.
	Joseph Edward Scrutton..	1 Nov., 1870	Ditto	225	0 0	1 Nov., 1870.
	James Tracton Dennis ...	1 Feb., 1873†	Ditto	200	0 0	1 June, 1870.
	James M'Kern.....	1 May, 1873†	Ditto	225	0 0	1 Aug., 1870.
	George Gay Hole.....	1 Mar., 1875	Ditto	175	0 0	1 Mar., 1875.
	James Coates	1 June, 1875	Ditto	200	0 0	1 June, 1875.
	William Charles Valentine Gibbes. ⁷	1 Jan., 1876	Ditto	150	0 0	6 May, 1872.
	William John Jordon.....	1 Jan., 1876	Ditto	200	0 0	1 Dec., 1856.*
	Alexander Law	1 June, 1877	Ditto	150	0 0	1 June, 1877.
	Andrew George M'Shane	1 Jan., 1876	Ditto	75	0 0	8 May, 1875.
	Thomas Robert Burns Moppett.	1 April, 1877	Ditto	100	0 0	1 April, 1877.
	William Alfred Leggatt ...	4 Dec., 1877	Ditto	50	0 0	4 Dec., 1877.
	Ernest Henry Wilshire ...	1 Mar., 1878	Ditto	75	0 0	1 Mar., 1878.
	Francis Thorley Bolton ...	1 Mar., 1878	Ditto	50	0 0	1 Mar., 1878.
Messenger (1)	120	0 0
Housekeeper (1) ⁸	70	0 0

¹ Vice-President of the New South Wales Savings' Bank; Trustee of the Museum, and Member of the Senate, Sydney University, without emolument.
² On leave of absence for 12 months from 1 February on full pay. ³ To the 28th February—deceased. ⁴ Absent on leave all the year on half pay. ⁵ Exchanged appointments with A. F. H. Stephen, Mining Registrar, Gulgong.
⁶ To the 28th February—resigned. ⁷ Absent on leave all the year on one-third of salary.
⁸ Allowed quarters, fuel, and light. * Services not continuous. † Salary previous to this date paid from Contingent Vote.

BLUE BOOK OF

Office.	Name.	Date of Appointment.	By whom appointed, and under what Instrument.	Annual Salary. £ s. d.	Date of first Appointment under the Colonial Government.
COLONIAL SECRETARY—continued.					
INDUSTRIAL SCHOOLS.					
NAUTICAL SCHOOL SHIP "VERNON."					
Commander and Superintendent.	James Seton Veitch Mein ¹	13 Feb., 1867	Governor and Executive Council	250 0 0	13 Feb., 1867.
	succeeded by				
	Frederick Wm. Neitenstein	1 April, 1878	Ditto	250 0 0	6 Oct., 1873.
Mate and Clerk	Frederick William Neitenstein.	6 Oct., 1873	Ditto	150 0 0	6 Oct., 1873.
	succeeded by				
	William Henry Mason	1 April, 1878	Ditto	150 0 0	1 April, 1878.
Visiting Surgeon (See p. 33)	William Charles Plummer	26 Feb., 1873	Ditto	150 0 0	26 Feb., 1873.
Schoolmaster	(1)		Ditto	120 0 0	
Sailmaker and Officer in charge of Lower Deck to 31 March			Ditto	130 0 0	
Second Mate from 1 April			Ditto	120 0 0	
Carpenter (1)			Ditto	100 0 0	
Boatswain (1)			Ditto	120 0 0	
Blacksmith (1)			Superintendent	72 0 0	each.
Seamen (4)			Governor and Executive Council	157 0 0	
Tailor (1)			Ditto	157 0 0	
Shoemaker (1)			Superintendent	144 0 0	
Cook and Steward (1)			Ditto	72 0 0	
Musician and Barber (1)					
¹ To the 18 March—deceased.					
NOTE.—All reside on board, and allowed rations of provisions, fuel, and light, except the Tailor and Shoemaker. The Superintendent (Mr. Mein) gives security to the amount of £200.					
BILOELA INDUSTRIAL SCHOOL FOR GIRLS, PARRAMATTA RIVER.					
Superintendent	Selina Georgina Walker ¹	1 April, 1875	Governor and Executive Council	200 0 0	1 April, 1875.
Teacher	Margaret Kelly ²	3 Oct., 1867	Ditto	100 0 0	3 Oct., 1867.
Visiting Surgeon (See p. 33)	Marian Rowland ²	15 Mar., 1871	Ditto	100 0 0	15 Mar., 1871.
House Matron	(1)		Ditto	50 0 0	
Assistant Matrons (2) ²	(1)		Colonial Secretary	50 0 0	
Laundress (1) ²			Ditto	30 0 0	
Carter and Messenger (1) ²			Ditto	75 0 0	
¹ Allowed a house; also a double ration of provisions, fuel, and light. ² Allowed quarters, rations of provisions, fuel, and light.					
BILOELA REFORMATORY FOR GIRLS, PARRAMATTA RIVER.					
Matron	Agnes King ¹	5 Feb., 1869	Governor and Executive Council	120 0 0	26 Aug., 1867.
Assistant Matron	Mary Agnes Barton ¹	6 Nov., 1876	Colonial Secretary	50 0 0	6 Nov., 1876.
Visiting Surgeon (See p. 33)					
¹ Allowed quarters and rations.					
INSPECTOR GENERAL OF POLICE.					
Inspector General of Police	Edmund Fosbery ¹	7 Oct., 1874	Governor and Executive Council	800 0 0	1 April, 1862.
Accountant	Finlay McMartin ²	23 May, 1858	Ditto	350 0 0	1 Jan., 1856.
Clerks	Thomas Ayres	23 May, 1858	Ditto	225 0 0	9 May, 1856.
	Thomas Henry Goff	1 Mar., 1865	Ditto	225 0 0	5 Mar., 1863.
	Robert Lennox Icely Rowling ³	1 Jan., 1863	Ditto	215 0 0	18 July, 1862.
	George William Vidal	14 Oct., 1874	Ditto	135 to 3 June 215 fr. 4 June	15 Sept., 1870.
	David Robert McCall	4 June, 1878	Ditto	135 0 0	7 Aug., 1876.
	Edward Raper	4 June, 1878	Ditto	125 0 0	4 June, 1878.
Officekeeper (1)				25 0 0	
Superintendents ⁴	Henry Zouch	13 Nov., 1851 and 1 Mar., 1862	Governor and Executive Council	500 0 0	1 Oct., 1834, to 30 June, 1837. 13 Nov., 1851.
	Edric V. Morisset	1 Mar., 1862	Ditto	500 0 0	15 Feb., 1853.
	Charles J. P. Lydiard	1 July, 1862	Ditto	500 0 0	1 July, 1862.
	James Garland	1 Mar., 1862	Ditto	450 0 0	1 Mar., 1862.
	John W. Orridge	1 Jan., 1864	Ditto	450 0 0	6 Oct., 1862.
	James Singleton	30 Oct., 1874	Ditto	400 0 0	10 Oct., 1848.
	George Read	15 Dec., 1874	Ditto	400 0 0	13 Jan., 1855.
	John Dowling Brown	8 Oct., 1875	Ditto	400 0 0	1 May, 1863.
Inspectors ⁴	Edward M. Battye	1 Mar., 1862	Ditto	300 0 0	26 May, 1851.
	Charles Sanderson	5 Jan., 1874	Ditto	300 0 0	13 Jan., 1855.
	James Ryeland	1 Oct., 1876	Ditto	300 0 0	13 Jan., 1855.
Sub-Inspectors ⁴	John D. Meares	1 Mar., 1862	Ditto	250 0 0	1 Mar., 1862.
	Patrick Brennan	1 Sept., 1863	Ditto	250 0 0	— Sept., 1851.
	James Stephenson	1 Sept., 1863	Ditto	250 0 0	1 Jan., 1855.
	John R. Medley	1 Mar., 1864	Ditto	250 0 0	27 Nov., 1862.
	Charles Thorpe	1 Feb., 1867	Ditto	250 0 0	8 Aug., 1856.
	Richard Fitzroy Creaghe	1 Oct., 1866	Ditto	250 0 0	5 Aug., 1862.
¹ Allowed a house; also forage in kind for two horses. Gives security to the amount of £1,000. ² Gives security to the amount of £500. ³ To the 3rd June. ⁴ Allowed quarters, fuel, light, and water.					

NEW SOUTH WALES—1878.

Office.	Name.	Date of Appointment.	By whom appointed, and under what Instrument.	Annual Salary.			Date of first Appointment under the Colonial Government.		
				£	s.	d.			
COLONIAL SECRETARY—INSPECTOR GENERAL OF POLICE—continued.									
<i>Sub-Inspectors¹—contd.</i>									
	George Waters.....	1 Jan., 1874	Governor and Executive Council	250	0	0	13 Jan., 1855.		
	Robert Anderson.....	1 Jan., 1874	Ditto	250	0	0	15 May, 1854.		
	Charles E. Harrison	1 Mar., 1862	Ditto	250	0	0	1 Dec., 1858.		
	James Keegan	1 Mar., 1864	Ditto	225	0	0	9 April, 1853.		
	William Wright	1 May, 1867	Ditto	225	0	0	8 Jan., 1861.		
	Edward Grainger	1 Jan., 1874	Ditto	225	0	0	6 Nov., 1857.		
	George C. Carter.....	19 Dec., 1874	Ditto	225	0	0	26 Aug., 1857.		
	Samuel Dillon Johnston...	1 July, 1876	Ditto	225	0	0	13 Mar., 1855.		
	James Rush	1 July, 1876	Ditto	225	0	0	26 July, 1855.		
	Thomas Ferris ²	27 July, 1876	Ditto	225	0	0	13 Feb., 1853.		
	Thomas Kerrigan	1 Oct., 1876	Ditto	225	0	0	3 July, 1853.		
	Thomas Garvin	1 Oct., 1876	Ditto	225	0	0	27 Aug., 1862.		
	William Thomas Baker ...	1 Jan., 1878	Ditto	225	0	0	1 Mar., 1862.		
	Francis Duffy	1 Jan., 1878	Ditto	225	0	0	8 Nov., 1858.		
<i>Mounted Police³ :—</i>									
Sergeant-Major (1)	Average numbers.		Inspector General of Police, under Police Regulation Act.	11s. per diem.			per diem, each.		
Sergeants, 1st Class (19) ...			Ditto	0	10	0			
Sergeants, 2nd Class (32) ...			Ditto	0	8	9			
Senior-Constables (114) ...			Ditto	0	7	6			
Constables, 1st Class (94) ...			Ditto	0	7	0			
Ordinary Constables (160) ...			Ditto	0	6	6			
Probationary Constables (41) ...			Ditto	0	5	6			
<i>Foot Police³ :—</i>									
Sergeants, 1st Class (23) ...				Ditto	0	10		0	
Sergeants, 2nd Class (27) ...				Ditto	0	8		9	
Senior Constables (48) ...			Ditto	0	7	6			
Constables, 1st Class (179) ...			Ditto	0	7	0			
Ordinary Constables (215) ...			Ditto	0	6	6			
Probationary Constables (46) ...			Ditto	0	5	6			
<i>Detective Police³ :—</i>									
Officer in charge	Inspector Henry Wager ⁴ ...	1 Oct., 1876	Governor and Executive Council	300	0	0	1 Jan., 1863.		
Detectives—1st Class (6) ...	Average numbers.		Inspector General of Police, under Police Regulation Act.	0	10	6	per diem, each.		
2nd Class (2) ...			Ditto	0	9	6			
3rd Class (4) ...			Ditto	0	8	6			
Police Surgeon (See p. 33)									
Inspector of Weights and Measures.	Thomas Mitchelson	22 June, 1853	Governor, under Act 16 Vict., No. 34.	200	0	0	22 June, 1853.		
Analytical Chemist	Charles Watt	1 Sept., 1871	Governor and Executive Council	150	0	0	1 Sept., 1871.		
¹ Allowed quarters, fuel, light, and water. ² To 30 April. ³ Allowed fuel, light, and water, and quarters when available. ⁴ Allowed quarters. NOTE.—The Gold Receivers and Gold Escort are members of the Police Force, and are included in the above numbers.									
COMPTROLLER GENERAL OF PRISONS.									
Comptroller General.....	Harold Maclean	1 Jan., 1874	Governor and Executive Council	800	0	0	20 Mar., 1846.		
Deputy Comptroller	William Gore Beverley	25 Aug., 1874	Ditto	350	0	0	17 April, 1861.		
Chief Clerk.....									
Accountant.....	William Crane, junr.	1 Jan., 1874	Ditto	200	0	0	1 May, 1869.		
Clerks	Robert Albert Goff	1 July, 1875	Ditto	175	0	0	1 July, 1875.		
	Arthur Herbert Collis.....	28 Jan., 1876	Ditto	125	0	0	23 April, 1875.		
	Samuel M'Cauley	15 Jan., 1876	Ditto	110	0	0	15 Jan., 1876.		
Messenger (1) ¹			Comptroller General	120	0	0			
¹ Allowed quarters, fuel, and light.									

BLUE BOOK OF

Office.	Name.	Date of Appointment.	By whom appointed, and under what instrument.	Annual Salary.	Date of first Appointment under the Colonial Government.
				£ s. d.	
COLONIAL SECRETARY—continued.					
GAOL, DARLINGHURST.					
Visiting Justice	William Chatfield	5 Dec., 1865	Governor and Executive Council	200 0 0	1 Mar., 1851.*
Principal Gaoler	John Cecil Read ¹	16 Feb., 1861	Administrator of the Government and Executive Council.	450 0 0	26 July, 1855.
Matron ²	Jane Woods ³	11 Feb., 1876	Governor and Executive Council	125 0 0	19 Dec., 1871.
	succeeded by Frances Mary Challis	1 Aug., 1878	Ditto	125 0 0	1 April, 1878.
Visiting Surgeon (See p. 33)
Dispenser (See p. 33)
Clerks	George Wickham ⁴	23 Feb., 1850	Governor	250 0 0	5 Mar., 1847.
	succeeded by Thomas James Barnett ...	1 Sept., 1878	Governor and Executive Council	250 0 0	16 May, 1868.
	Francis William Grant Forsyth.	15 Oct., 1874	Ditto	120 0 0	1 Sep., 1867.*
Schoolmaster	Stephen Murphy	7 Oct., 1875	Ditto	200 0 0	12 April, 1867.*
Chief Warder	Michael Burke ¹	1 Jan., 1869	Ditto	225 0 0	— Feb., 1853.
Senior Warder (1) ¹	Comptroller General of Prisons..	0 8 6	per diem.
Warders, 1st Class (7) ⁵	Ditto	0 8 0	" each.
Warders, 2nd Class (11)	Ditto	0 7 3	" "
Warders, 3rd Class (29)	Ditto	0 7 0	" "
Chief Female Warder (1) ¹	Ditto	94 0 0	" "
Forewoman (1) ¹	Ditto	64 0 0	" "
Female Warders (6) ⁶	Ditto	55 0 0	each.
Chief Overseer (1)	Ditto	225 0 0	" "
Overseers (6)	Ditto	2 at £159 each, 4 at 10/6 per diem each	" "
Foremen (2)	(One from 17 September)	Ditto	0 8 0	per diem each.
Messenger (1)	Ditto	0 6 6	" "
Carter (1)	Ditto	0 6 0	" "
Chaplains—					
Church of England	Rev. Charles H. Rich	6 Nov., 1864	Governor and Executive Council	120 0 0	6 Nov., 1864.
Roman Catholic	Rev. Augustus H. Petre ⁷	1 Nov., 1876	Ditto	120 0 0	1 Nov., 1876.
	succeeded by Rev. Charles F. P. Col- lingridge.	12 Mar., 1878	Ditto	120 0 0	12 Mar., 1878.
Presbyterian	Rev. James Milne	14 July, 1872	Ditto	50 0 0	1 July, 1854.
<p>¹ Resides in the Gaol; allowed fuel and light. ² Resides in the Gaol; allowed a ration of provisions, fuel, and light. ³ To 25 July. ⁴ Allowed £50 per annum for clerical assistance to Lunatic Reception House, and £30 per annum for directing Photographic arrangements. To 31 August appointed C.P.S., Parramatta. ⁵ One resides in the Gaol, and allowed fuel and light; six allowed 1s. per diem in lieu of quarters. ⁶ Four resides in the Gaol and two allowed 1s. per diem for quarters—each allowed fuel and light. ⁷ To 11 March.</p> <p>NOTE.—The Principal Gaoler gives security to the amount of £250. * Services not continuous.</p>					
GAOL, PARRAMATTA.					
Visiting Justice	George Langley ¹	26 April, 1864	Governor and Executive Council	100 0 0	1 Aug., 1837.*
	succeeded by Neil Stewart	22 Aug., 1878	Ditto	100 0 0	22 Aug., 1878.
Gaoler	John Garda Hussey ²	26 June, 1866	Governor and Executive Council upon recommendation of Sheriff	275 0 0	1 Mar., 1862.*
Matron	Jane Watt ²	26 June, 1866	Ditto	20 0 0	26 June, 1866.
Visiting Surgeon (See p. 33)
Dispenser (See p. 33)
Storekeeper and School- master.	Thomas James Barnett ³	1 Jan., 1874	Governor and Executive Council	200 0 0	16 May, 1868.
	succeeded by Douglas Horsley Rowley	1 Sept., 1878	Ditto	200 0 0	4 Oct., 1873.
Clerk	Douglas Horsley Rowley	7 Oct., 1875	Ditto	150 0 0	4 Oct., 1873.
	succeeded by Frederick Augustus Ramsay	1 Sept., 1878	Ditto	150 0 0	16 Oct., 1858.*
Chief Warder	Alexander Watt ²	22 June, 1866	Ditto	175 0 0	1 Oct., 1860.
Senior Warder (1) ⁴	Comptroller General of Prisons..	0 8 6	per diem.
1st Class Warders (3) ⁵	Ditto	0 8 0	per diem, each.
2nd Class Warders (3)	Ditto	0 7 3	" "
3rd Class Warders (23)	Ditto	0 7 0	" "
Overseers (2)	Ditto	0 10 6	" "
Overseer (1)	Ditto	200 0 0	" "
Carter (1)	Ditto	0 6 0	per diem.
Messenger (1)	Ditto	0 5 0	" "
Chaplains—					
Church of England	Rev. John R. Blomfield ...	1 Oct., 1868	Governor and Executive Council	60 0 0	16 Mar., 1851.
Roman Catholic	Rev. Hugh Bernard Calla- chor ⁶ .	1 Oct., 1877	Ditto	60 0 0	1 Oct., 1877.
	succeeded by Rev. P. M. Cassidy ⁷	19 Mar., 1878	Ditto	60 0 0	19 Mar., 1878.
	succeeded by Rev. H. B. Curr	27 Dec., 1878	Ditto	60 0 0	27 Dec., 1878.
Presbyterian	Rev. James Daniel Murray	1 Jan., 1877	Ditto	25 0 0	1 Jan., 1877.
<p>¹ To 21 August, deceased. ² Allowed quarters, fuel, and light. ³ Allowed fuel and light. ⁴ To 31 August, appointed to Gaol, Darlinghurst. ⁵ Allowed 10s. per week in lieu of quarters. ⁶ Each allowed 1s. per diem in lieu of quarters. ⁷ To the 18 March. ⁸ To the 26 December.</p> <p>NOTE.—The Gaoler gives security to the amount of £150. * Services not continuous.</p>					

NEW SOUTH WALES—1878.

27

Office.	Name.	Date of Appointment.	By whom appointed, and under what Instrument.	Annual Salary. £ s. d.	Date of first Appointment under the Colonial Government.
COLONIAL SECRETARY—continued.					
GAOL, BATHURST.					
Visiting Justice	Benjamin Lee	12 Aug., 1874	Governor and Executive Council	Nil.	12 Aug., 1874.
Gaoler	Alexander Forbes ¹	13 May, 1867	Governor and Executive Council, upon recommendation of Sheriff	175 0 0	19 Aug., 1857.
Visiting Surgeon (see p. 33)					
Matron	Alice Forbes ¹	21 May, 1867	Governor and Executive Council, upon recommendation of Sheriff	42 0 0	21 May, 1867.
Clerk and Schoolmaster	John Wood Johnston ²	1 Jan., 1874	Governor and Executive Council	140 0 0	1 Jan., 1864.
Chief Warder (1) ³			Comptroller General of Prisons..	0 8 6	per diem.
Senior Warder (1) ⁴			Ditto	0 8 3	"
Warders (8) ⁵			Ditto	0 7 0	" each.
Female Warder (1) ⁶			Ditto	55 0 0	"
Overseer (1)			Ditto	159 0 0	"
Chaplains :—					
Church of England	Rev. Thomas Smith	1 May, 1873	Governor and Executive Council	30 0 0	4 July, 1868.
Roman Catholic ⁷				30 0 0	
¹ Allowed quarters, fuel, and light. ² Allowed £26 per annum for house rent. ³ Allowed fuel and light and £26 per annum for house rent. ⁴ Allowed £18 5s. per annum in lieu of quarters. ⁵ Two allowed quarters. ⁶ Allowed quarters; also a ration of provisions, fuel, and light. ⁷ The Bishop provides for the duty and draws the salary.					
NOTE.—The Gaoler gives security to the amount of £150.					
GAOL, MAITLAND.					
Visiting Justice	Glentworth Walsh Frazer Addison.	1 July, 1875	Governor and Executive Council	Nil.	14 April, 1858.
Gaoler	George Henry Stace ¹	14 June, 1867	Ditto	200 0 0	14 June, 1867.
Visiting Surgeon (see p. 33)					
Matron	Helen Kandiana Stace ¹	14 June, 1867	Governor and Executive Council	60 0 0	14 June, 1867.
Clerk and Schoolmaster	Thomas Barnes ² succeeded by John Percival Lackey	1 Aug., 1867 1 June, 1878	Ditto	160 0 0	14 April, 1863.
Chief Warder (1) ¹			Ditto	160 0 0	1 Nov., 1876.
Senior Warder (1) ³			Sheriff	0 9 0	per diem.
First Class Warders (2) ³			Ditto	0 8 3	"
Second Class Warders (2)			Comptroller General of Prisons..	0 8 0	" each.
Third Class Warders (12)			Ditto	0 7 3	"
Acting Warder (1)			Ditto	0 7 0	"
Female Warders (2) ¹			Ditto	0 7 6	"
Trade Overseer (1)			Ditto	55 0 0	each.
Chaplains :—			Minister for Works	0 10 0	per diem.
Church of England	Rev. Lovick Tyrrell	16 Nov., 1875	Governor and Executive Council	30 0 0	16 Nov., 1875.
Roman Catholic	Rev. Timothy O'Neill	17 Feb., 1876	Ditto	30 0 0	17 Feb., 1876.
¹ Allowed quarters, fuel, and light. ² To 25th April—Deceased. ³ Allowed 1s. per diem in lieu of quarters. NOTE.—The Gaoler gives security to the amount of £150.					
GAOL, GOULBURN.					
Visiting Justice	John James Allman	17 Oct., 1862	Governor and Executive Council	Nil.	1 June, 1829.
Gaoler	Matthew Walker ¹	21 Sept., 1870	Ditto	175 0 0	4 Mar., 1864.
Visiting Surgeon (see p. 33)					
Matron	Ann Walker ¹	21 Sept., 1870	Governor and Executive Council	42 0 0	21 Mar., 1867.
Clerk and Schoolmaster	Richard Vere Mason	1 Nov., 1876	Ditto	140 0 0	16 April, 1858.
Chief Warder (1) ²			Sheriff	0 8 6	per diem, each.
Senior Warder (1) ³			Comptroller General of Prisons..	0 8 3	"
Third Class Warders (10)			Ditto	0 7 0	" each.
Female Warder (1) ⁴			Ditto	55 0 0	"
Chaplains :—					
Church of England	Rev. William May, M.A. ⁵ succeeded by Rev. Alfred T. Puddicombe	1 May, 1876 1 Sept., 1878	Governor and Executive Council Ditto	30 0 0 30 0 0	1 May, 1876. 1 Sept., 1878.
Roman Catholic	Rev. Athanasius Thomas O'Dwyer.	1 July, 1875	Ditto	30 0 0	1 July, 1875.
¹ Allowed quarters and fuel. ² Allowed £26 per annum in lieu of quarters. ³ Allowed 1s. per diem in lieu of quarters. ⁴ To 5th June—transferred to Gaol at Mudgee. ⁵ To 31st August. NOTE.—The Gaoler gives security to the amount of £150.					
GAOL, BERRIMA.					
Visiting Justice	Frederick Robertson Wilshire.	11 Mar., 1872	Administrator of the Government and Executive Council.	75 0 0	1 Mar., 1862.*
Gaoler	William Small ¹	20 May, 1863	Governor and Executive Council, upon recommendation of Sheriff	200 0 0	13 Feb., 1862.
Matron	Sarah Small ¹	14 June, 1863	Ditto	42 0 0	14 June, 1863.
Visiting Surgeon (see p. 33)					
Clerk and Schoolmaster	John Percival Lackey ² succeeded by Christopher Vaughan Foss	1 Nov., 1876 1 June, 1878	Governor and Executive Council Ditto	140 0 0 140 0 0	1 Nov., 1876. 5 June, 1867.
Chief Warder (1) ¹			Comptroller General of Prisons..	0 9 0	per diem.
Senior Warder (1) ³			Ditto	0 8 3	"
First Class Warder (1) ³			Ditto	0 8 0	"
Second Class Warder (1)			Ditto	0 7 3	"
Third Class Warders (13)			Ditto	0 7 0	"
Extra Warder (1)*			Ditto	0 7 0	"
Trade Overseer (1)			Governor and Executive Council	200 0 0	"
Chaplains :—					
Church of England	Rev. Edmund Dixon ⁴	1 June, 1875	Ditto	100 0 0	1 June, 1875.
Roman Catholic	Rev. William Joseph Riordon.	1 Feb., 1876	Ditto	100 0 0	1 Feb., 1876.
¹ Allowed quarters, fuel, and light. ² To the 31st May, see Gaol Maitland. ³ Receives lodging allowance. ⁴ To the 15th December—Deceased. NOTE.—The Gaoler gives security to the amount of £150.					

BLUE BOOK OF

Office.	Name.	Date of Appointment.	By whom appointed, and under what Instrument.	Annual Salary.	Date of first Appointment under the Colonial Government.
				£ s. d.	
COLONIAL SECRETARY—continued.					
GAOL, WAGGA WAGGA.					
Visiting Justice	Henry Baylis	10 Jan., 1866	Governor and Executive Council	Nil.	9 Aug., 1852.
Gaoler	Thomas Rankin ¹	1 Nov., 1876	Ditto	160 0 0	6 Nov., 1861.
Matron	Maria Rankin ¹	1 Nov., 1876	Ditto	20 0 0	25 June, 1867.
Visiting Surgeon (see p. 33).
Warders (4)	Comptroller General of Prisons..	0 7 0	per diem, each.
Chaplains:—					
Church of England	Rev. William Henry Powell.	9 Mar., 1878	Governor and Executive Council	10 0 0	9 Mar., 1878.
Roman Catholic	Rev. William M'Grath ..	11 Mar., 1878	Ditto	10 0 0	11 Mar., 1878.
¹ Resides in the Gaol; allowed fuel and light. NOTE.—The Gaoler gives security to the amount of £50.					
GAOL, YASS.					
Visiting Justice	Leopold Yates	5 June, 1877	Governor and Executive Council	Nil.	10 July, 1862.
Gaoler	James Fitzgerald ¹	8 Sept., 1863	Governor and Executive Council, upon recommendation of Sheriff	160 0 0	1 Oct., 1859.
Matron	Elizabeth Fitzgerald ²	8 Sept., 1863	Ditto	30 0 0	8 Sept., 1863.
Visiting Surgeon (see p. 33).
Warders (4)	Comptroller General of Prisons..	0 7 0	per diem, each.
Chaplains:—					
Church of England	Rev. W. H. H. Yarrington	9 Mar., 1878	Governor and Executive Council	10 0 0	9 Mar., 1878.
Roman Catholic	Rev. P. J. O'Keeffe.....	11 Mar., 1878	Ditto	10 0 0	11 Mar., 1878.
¹ Resides in the Gaol; allowed fuel and light. Formerly Apothecary and Superintendent under the Imperial Government, for which he receives a retired allowance of £85 per annum. ² Resides in the Gaol; allowed fuel and light. NOTE.—The Gaoler gives security to the amount of £50.					
GAOL, ALBURY.					
Visiting Justice	Marcus Freeman Brown-rigg.	12 Feb., 1862	Governor and Executive Council	Nil.	9 Aug., 1860.
Gaoler	Thomas Allen ¹	1 Sept., 1870	Ditto	160 0 0	24 May, 1861.
Matron	Mary Allen ¹	1 Sept., 1870	Ditto	20 0 0.	24 April, 1862.
Visiting Surgeon (see p. 33).
Warders (3)	Comptroller General of Prisons..	0 7 0	per diem, each.
Chaplains:—					
Church of England	Rev. Alfred Davidson Acocks.	9 Mar., 1878	Governor and Executive Council	10 0 0	9 Mar., 1878.
Roman Catholic	Rev. Michael M'Alroy ..	11 Mar., 1878	Ditto	10 0 0
¹ Resides in the Gaol; allowed fuel and light. NOTE.—The Gaoler gives security to the amount of £50.					
GAOL, BRAIDWOOD.					
Visiting Justice	John William Buckle Bunn	8 Oct., 1862	Governor and Executive Council	Nil.	8 Oct., 1862.
Gaoler	Jeremiah Frewin ¹	1 Aug., 1874	Ditto	160 0 0	1 July, 1851.
Matron	Margaret Frewin ²	1 Aug., 1874	Ditto	20 0 0	1 Aug., 1874.
Visiting Surgeon (see p. 33).
Warders (3)	Comptroller General of Prisons..	0 7 0	per diem, each.
Chaplains:—					
Church of England	Edward G. Pryce.....	9 Mar., 1878	Governor and Executive Council	10 0 0	9 Mar., 1878.
Roman Catholic	James Phelan	11 Mar., 1878	Ditto	10 0 0	1 Nov., 1853.
¹ Allowed quarters, fuel, and light. In receipt of a pension from the New South Wales Police Fund. ² Allowed quarters, fuel, and light. NOTE.—The Gaoler gives security to the amount of £50.					
GAOL, ARMIDALE.					
Visiting Justice	James Buchanan.....	19 Oct., 1869	Governor and Executive Council	Nil.	6 Jan., 1852.*
Gaoler	Samuel Caldwell ¹	18 June, 1863	Governor and Executive Council, upon recommendation of Sheriff	160 0 0	24 Oct., 1830.*
Matron	Isabella Caldwell ¹	18 June, 1863	Ditto	20 0 0	18 June, 1863.
Visiting Surgeon (see p. 33).
Warders (5)	Comptroller General of Prisons..	0 7 0	per diem, each.
Chaplains:—					
Church of England
Roman Catholic	Rev. Jeremiah J. Doyle ..	11 Mar., 1878	Governor and Executive Council	10 0 0	11 Mar., 1878.
	succeeded by Rev. Patrick T. O'Connor	17 July, 1878	Ditto	10 0 0	17 July, 1878.
¹ Resides in the Gaol; allowed fuel and light. * Services not continuous. NOTE.—The Gaoler gives security to the amount of £50.					
GAOL, PORT MACQUARIE (To 31 March—reduced to a Police Gaol.)					
Visiting Justice	Robert Issell Perrott	24 Dec., 1873	Governor and Executive Council	50 0 0	1 Aug., 1859.
Gaoler	Joseph Gates ¹	6 Sept., 1865	Governor and Executive Council, upon recommendation of Sheriff	175 0 0	Feb., 1846.*
Matron	Mary A. Gates ¹	6 Sept., 1865	Ditto	42 0 0	1 Jan., 1861.
Visiting Surgeon (see p. 33).
Warders (3)	Comptroller General of Prisons..	0 7 0	per diem, each.
Chaplains:—					
Roman Catholic	Rev. James M'Gough.....	1 Jan., 1873	Governor and Executive Council	10 0 0	1 Jan., 1873.
¹ Allowed quarters, fuel, and light. * Services not continuous. NOTE.—The Gaoler gives security to the amount of £150.					

NEW SOUTH WALES—1878.

Office.	Name.	Date of Appointment.	By whom appointed and under what Instrument.	Annual Salary. £ s. d.	Date of first Appointment under the Colonial Government.
COLONIAL SECRETARY—continued.					
GAOL, MUDGEEE.					
Visiting Justice	William Devenish Meares.	8 Oct., 1875	Governor and Executive Council	Nil.	10 April, 1842.*
Gaoler	John Dick ¹	1 Aug., 1869	Ditto	175 0 0	26 Feb., 1868.
Matron	Maria Dick ¹	1 Feb., 1869	Ditto	20 0 0	1 Feb., 1869.
Visiting Surgeon (see p. 33).
Senior Warder (1)	Comptroller General of Prisons...	0 8 3	per diem.
Warders—3rd Class (7)	Ditto	0 7 0	per diem, each.
Foreman (1)	Ditto	0 8 0	"
Female Warder (1)	Ditto	55 0 0	"
Chaplains:—					
Church of England	Rev. James Gunther	9 Mar., 1878	Governor and Executive Council	10 0 0	1 Jan., 1844.
Roman Catholic	Rev. John O'Donovan	11 Mar., 1878	Ditto	10 0 0	11 Mar., 1878.
¹ Resides in the Gaol; allowed fuel and light. * Services not continuous. NOTE.—The Gaoler gives security to the amount of £50.					
GAOL, DENILIQUIN.					
Visiting Justice	James Mair, P.M.	18 June, 1875	Governor and Executive Council	Nil.	3 Oct., 1862.
Gaoler	John Paton ¹	7 Oct., 1875	Ditto	160 0 0	28 May, 1861.
Matron	Amelia M. C. Paton ¹	7 Oct., 1875	Ditto	20 0 0	7 Oct., 1875.
Visiting Surgeon (see p. 33).
Warders (4)	Comptroller General of Prisons...	0 7 0	per diem, each.
Chaplains:—					
Church of England	Venble. David Evans-Jones	9 Mar., 1878	Governor and Executive Council	10 0 0	9 Mar., 1878.
Roman Catholic	Rev. John O'Dwyer.....	11 Mar., 1878	Ditto	10 0 0	11 Mar., 1878.
¹ Resides in the Gaol; allowed fuel and light. NOTE.—The Gaoler gives security to the amount of £50.					
GAOL, YOUNG (From 1 April.)					
Visiting Justice	Samuel Robinson.....	Governor and Executive Council	Nil.	15 April, 1872.
Gaoler	Joseph Gates ¹	1 April, 1878	Ditto	175 0 0	1 Feb., 1846.*
Matron	Mary A. Gates ¹	1 April, 1878	Ditto	42 0 0	1 Jan., 1861.
Visiting Surgeon (See p. 33)
Warders (4)	Comptroller General of Prisons...	0 7 0	per diem.
Chaplains:—					
Church of England	Rev. John M. Ware	21 Nov., 1878	Governor and Executive Council	10 0 0	21 Nov., 1878.
Roman Catholic	Rev. Edward A. Finnegan	3 July, 1878	Ditto	10 0 0	3 July, 1878.
¹ Allowed quarters, fuel, and light. * Services not continuous. NOTE.—The Gaoler gives security to the amount of £300.					
POLICE GAOLS.					
Acting Gaolers—					
Bega					
Bourke					
Campbelltown					
Coonabarabran (from 2 October.)					
Coonamble (from 2 October.)					
Cooma					
Dubbo					
Forbes					
Grafton					
Gundagai					
Glen Innes					
Grenfell					
Hay					
Murrurundi					
Muswellbrook					
Narrabri	(30)	Colonial Secretary	6 at 20 0 0	each.
Nimitybelle				23 at 15 0 0	"
Orange				1 at 10 0 0	"
Port Macquarie (from 1 April.)					
Queanbeyan					
Singleton					
Tenterfield					
Tamworth					
Walgett (from 2 October.)					
Wilcannia (from 2 October.)					
Windsor					
Wellington					
Wentworth					
Wollongong					
Young (to 31 March..)					

Office.	Name.	Date of Appointment.	By whom appointed, and under what Instrument.	Annual Salary. £ s. d.	Date of first Appointment under the Colonial Government.
COLONIAL SECRETARY—POLICE GAOLS—continued.					
Acting Matrons—					
Bega					
Bourke					
Cooma					
Coonabarabran (from 2 October.)					
Coonamble (from 2 October.)					
Dubbo					
Forbes					
Grafton					
Gundagai					
Glen Innes					
Grenfell					
Hay					
Muswellbrook					
Murrurundi					
Narrabri					
Nimitybelle	(29)	Colonial Secretary	{ 20 at 10 0 0 9 at 5 0 0	each.
Orange					„
Port Macquarie (from 1 April.)					
Queanbeyan					
Singleton					
Tamworth					
Tenterfield					
Walgett (from 2 October.)					
Wilcannia (from 2 October.)					
Windsor					
Wellington					
Wentworth					
Wollongong					
Young (to 31 March)					
Warders—					
Bega					
Bourke (2)					
Cooma					
Coonabarabran					
Coonamble					
Dubbo (2)					
Forbes					
Grafton (2)					
Glen Innes					
Gundagai	(26)	Comptroller General of Prisons...	0 7 0	per diem, each.
Hay					
Narrabri					
Port Macquarie					
Orange					
Queanbeyan					
Tamworth (2)					
Tenterfield					
Walgett					
Wellington					
Wentworth (2)					
Young					
Visiting Justices—					
1 at each Gaol			Governor and Executive Council	Nil.	

IMMIGRATION AGENT.

Agent for Immigration	George Foster Wise	1 Nov., 1862	Governor and Executive Council	400 0 0	— Feb., 1851.*
Chief Clerk and Accountant	Frank Burford Treatt	1 June, 1877	Ditto	250 0 0	1 Oct., 1875.
Clerk and Messenger (1)	Colonial Secretary	100 0 0	
Extra Clerk (1)	Ditto	100 0 0	
Matron	Lucy H. Hicks	13 May, 1861	Administrator of Government and Executive Council.	50 0 0	13 May, 1861.
Sub-matron (1)	Colonial Secretary	1 10 0	per ship.
Office-cleaner (1)	0 10 0	per week.

* Services not continuous.

IMMIGRATION BOARD.

Fees:—

Members (Chairman)	Haynes Gibbes Alleyne, M.D.	6 Aug., 1852	Governor and Executive Council	†14 0 0	11 May, 1848, to 14 Sept., 1849.*
	George Foster Wise	17 April, 1862	Ditto	See above.	— Feb., 1851.*
	Very Rev. J. F. Sheridan	22 Dec., 1862	Ditto	†16 0 0	7 Dec., 1863.
	John Milbourne Marsh	7 Dec., 1863	Ditto	†12 10 0	7 Jan., 1859.
	Rev. Thomas O'Reilly	8 Aug., 1877	Ditto	†14 10 0	1 Oct., 1848.
	Rev. Samuel Wilkinson	22 Nov., 1877	Ditto	†10 0 0	13 Feb., 1878.
		13 Feb., 1878			

* Services not continuous.

† Allowed ros. at each Board Meeting—if present.

Office.	Name.	Date of Appointment.	By whom appointed, and under what Instrument.	Annual Salary.	Date of first Appointment under the Colonial Government.
				£ s. d.	
COLONIAL SECRETARY—continued.					
MEDICAL BOARD.					
Members (President)	Haynes Gibbes Alleyne, M.D. {	28 Aug., 1852 {	Governor and Executive Council	Nil.	11 May, 1848, to 14 Sept., 1849.*
	Charles M'Kay, M.D. {	5 Aug., 1873 as President. {			
	Owen Spencer Evans, M.R.C.S.E. {	8 Dec., 1865 {			
	Robert Dalzell Ward, M.R.C.S.E. {	18 Nov., 1872 {			
	Philip Sydney Jones, M.D. {	20 Aug., 1873 {			
	Arthur Renwick, M.D. {	20 Aug., 1873 {			
	Frederick Milford, M.D. {	18 Oct., 1875 {			
	Cosby Morgan, M.R.C.S.E. {	19 Mar., 1877 {			
	Andrew Houston, M.B. {	2 Nov., 1877 {			
Secretary					
* Services not continuous.					
MEDICAL ADVISER, VACCINATION, MEDICAL OFFICERS, &c.					
MEDICAL ADVISER.					
Medical Adviser to the Government.	Haynes Gibbes Alleyne, M.D. {	2 Feb., 1876 {	Governor and Executive Council	11 May, 1848, to 14 Sept., 1849.*
Assistant Government Medical Officer.	Louis Foucart	31 Sept., 1877	Ditto	300 0 0	
* Services not continuous.					
VACCINATORS.					
Superintendent of Vaccination, Sydney.	Myles Egan	12 Dec., 1864	Governor and Executive Council	240 0 0	27 May, 1861.
Vaccinators—					
City and Suburbs—					
Sydney	William Grey		Ditto		
	George Frederick Dansey	23 June, 1871	Ditto		
Do. and Suburbs.....	Patrick M'Donagh	13 Oct., 1876	Ditto		
	Thomas Hogg	6 July, 1877	Ditto		
	Cosby Wm. Morgan ¹	18 Sept., 1877	Ditto		
	George Henry Hamilton.....	11 Oct., 1878	Ditto		
Ashfield, Burwood, and Petersham.	Richard Theophilus Jones	25 Aug., 1875	Ditto		
Balmain.....	Owen Spencer Evans		Ditto		
	James Aberdeen Jones	25 Feb., 1876	Ditto		
Newtown	William Gillet Sedgwick		Ditto		
Redfern.....	Benjamin Fyffe	19 Mar., 1869	Ditto		
St. Leonard's (North Shore.)	Robert Dalzell Ward	27 Sept., 1853	Ditto		
Woollahra.....	Frederick H. Kingdon	5 July, 1878	Ditto		
Country Districts—	Frederic Harrison Quaife.....	21 Dec., 1868	Ditto		
Adelong.....	John Jas. P. Z. Verschuer	25 Oct., 1872	Ditto		
Albury	Arthur Andrews	5 June, 1874	Ditto		
Araluen.....	Rees Llewellyn	17 June, 1870	Ditto		
	William Fredk. Ewington	12 Feb., 1878	Ditto		
Armidale	George Wigan	14 July, 1876	Ditto		
	William Sheldon	1 Dec., 1871	Ditto		
Balranald	(Vacant.)				
Bathurst	Robert Tassell	22 Dec., 1876	Ditto		
	William Frederick Bassett	14 June, 1865	Ditto		
Bega	John Shiels	15 April, 1869	Ditto		
Bellinger River.....	Robert Auld	24 Aug., 1875	Ditto		
Berrima	George Proud Lambert	6 Feb., 1877	Ditto		
Binalong and Boorowa...	William Guille Dalgairns.....	3 Nov., 1876	Ditto		
Bombala	William James Barkas ²	12 May, 1876	Ditto		
	William George Watson.....	6 April, 1877	Ditto		
Bourke	Charles James Grant ³	21 Aug., 1874	Ditto		
Brewarrina	(Vacant.)				
Brisbane Water	W. H. Harris	23 Feb., 1877	Ditto		
Braidwood.....	Rees Llewellyn.....	2 Feb., 1875	Ditto		
	William Fredk. Ewington	12 Feb., 1878	Ditto		
Broulee	Edward Boot	27 Oct., 1869	Ditto		
	H. Kirwanking	20 Sept., 1878	Ditto		
Camden, Narellan, and Picton	George Goode	19 April, 1876	Ditto		
	Selby Mars Morton ⁴	18 May, 1877	Ditto		
	William French Clay	13 Dec., 1878	Ditto		
Campbelltown	(Vacant.)				
Carcoar	William Getty	22 May, 1874	Ditto		
Cassilis	John Thomas Morris	27 Oct., 1869	Ditto		
Cooma	James Donovan	14 Sept., 1877	Ditto		
Corowa	Francis Meagher Harricks	8 Dec., 1876	Ditto		
Dapto	William Lyons ⁵	28 Mar., 1871	Ditto		
Deniliquin.....	Alfred Wm. Finch Noyes.....	31 July, 1867	Ditto		
	Philip Forth Casey	11 Oct., 1878	Ditto		
Dubbo	Walter Hugh Tibbits		Ditto		
Dungog	Ellar M'Kellar M'Kinlay.....		Ditto		
Eden	(Vacant.)				
Five Dock and Brisbane Water.	(Vacant.)				

Paid by fees of 2s. 6d. and 3s. 6d. for each successful case.

¹ Appointed to Newcastle. ² Appointed to Warialda. ³ Appointed to Hartley. ⁴ To 21 November, resigned. ⁵ Also Vaccinator, Wollongong.

Office.	Name.	Date of Appointment.	By whom appointed, and under what Instrument.	Annual Salary. £ s. d.	Date of first Appointment under the Colonial Government.
COLONIAL SECRETARY—MEDICAL ADVISER, VACCINATION, MEDICAL OFFICERS, ETC.—continued.					
COUNTRY DISTRICTS—continued.					
VACCINATORS—continued.					
Forbes	Seth Sam	2 Mar., 1877	Governor and Executive Council		
	Archibald J. Macqueen ..	23 Feb., 1877	Ditto		
Gladesville	Thomas Morgan Joseph ..	15 July, 1872	Ditto		
Glen Innes	(Vacant.)				
Goulburn	Peter Hume Gentle.....	10 Nov., 1875	Ditto		
	John Morton	22 Jan., 1869	Ditto		
	Lewis Gordon Davidson..	25 Oct., 1872	Ditto		
	Selby Mars Morton	20 Dec., 1878	Ditto		
Grafton	Robert Purdie	9 Dec., 1868	Ditto		
	Marshall Hall Webster ..	22 July, 1875	Ditto		
	John Govett Smith ¹	20 April, 1877	Ditto		
Grenfell	John Rutherford Riley ..	4 May, 1877	Ditto		
	succeeded by				
	John Thomas Burgoyne ..	1 Feb., 1878	Ditto		
Gulgong	Charles Edward Barnard ² ..	2 Mar., 1877	Ditto		
Gundagai	Robert M'Killop	27 Mar., 1874	Ditto		
Gunnedah	Samuel Alous Dow	18 Sept., 1877	Ditto		
Hartley	Robert Falder	25 May, 1877	Ditto		
	succeeded by				
	Charles James Grant	20 Sept., 1878	Ditto		
Hay (Oxley).....	John Mackenzie Gordon..	31 Mar., 1876	Ditto		
	succeeded by				
	David William Balfour	22 Oct., 1878	Ditto		
	Wilkie.				
Hill End	John O'Connell ³	30 Oct., 1874	Ditto		
	John Joseph Ryan M'Mul-	16 Feb., 1877	Ditto		
	len.				
Hunter's Hill	Henry Richards	20 April, 1877	Ditto		
Inverell	William Albert Huntley ..	21 July, 1871	Ditto		
	Louis Segal	9 Feb., 1877	Ditto		
Jerilderie	Charles Penrose Bellamy ..	7 June, 1878	Ditto		
Kempsey West.....	C. L. Gabriel	21 Dec., 1868	Ditto		
Kiama	Harman John Tarrant ..	14 Mar., 1870	Ditto		
	William O'Callaghan	1 Oct., 1878	Ditto		
	Tarrant.				
Lambton and New	John James Hill	8 Mar., 1870	Ditto		
Lambton.					
Liverpool	James Smith.....	22 June, 1863	Ditto		
	William Edward Strong..	25 Jan., 1877	Ditto		
Lower Clarence	Lawrence Maxton	8 Jan., 1878	Ditto		
	succeeded by				
	S. Bailey Eadon ⁴	16 Aug., 1878	Ditto		
Macdonald River (St.	John S. Milne ⁵	27 Mar., 1877	Ditto		
Alban's).					
Maitland	Richard Fortune Blackwell	27 Mar., 1877	Ditto		
Maitland West.....	Walter Scott	21 Dec., 1868	Ditto		
	Robert James Pierce	2 Aug., 1872	Ditto		
Maitland East and West	Alexander K. Morson ⁶ ..	20 Jan., 1868	Ditto		
	and				
		30 Oct., 1867	Ditto		
Minmi	Henry Rufus Bell	29 Mar., 1878	Ditto		
Moama	Henry Crossen.....	28 June, 1878	Ditto		
Molong	Andrew Ross	24 Aug., 1864	Ditto		
Morpeth	Charles Stilwell	3 Nov., 1876	Ditto		
Mudgee	Charles Edward Rowling..	28 April, 1871	Ditto		
Murrumburrah.....	Thomas Gray Archdall ..	6 Feb., 1877	Ditto		
Murrurundi	William Bissett Knowles ..	18 Dec., 1874	Ditto		
Musclebrook & Merton..	Robert Edward Grigson..	10 Nov., 1875	Ditto		
Narrabri	William Nicholas Richards	27 Mar., 1877	Ditto		
Narandera	Oliver Thomas Slatter.....	14 Sept., 1877	Ditto		
Newcastle	Richard Harris.....	2 June, 1871	Ditto		
	Samuel T. Knaggs	7 July, 1874	Ditto		
	Cosby William Morgan ..	10 Dec., 1878	Ditto		
Oberon	John Eaton	25 Oct., 1872	Ditto		
Orange	John Frederick Codrington	2 July, 1875	Ditto		
Parramatta	Walter Brown	5 Nov., 1863	Ditto		
	Robert Champley Rutter	21 Feb., 1873	Ditto		
	James Smith.....	23 Feb., 1877	Ditto		
Parkes	John O'Connell	22 Mar., 1878	Ditto		
Paterson	Alexander K. Morson ⁷ ..	22 Jan., 1869	Ditto		
Penrith	Joseph Francis Bond	30 May, 1876	Ditto		
	Charles Johnson	28 July, 1876	Ditto		
Port Macquarie	Thomas Spencer	23 Feb., 1877	Ditto		
Port Stephens	Alexander Rankin Hutchi-	12 Mar., 1878	Ditto		
	son.				
Queanbeyan	Andrew Morton	25 Aug., 1876	Ditto		
Raymond Terrace	James Inglis	22 Dec., 1876	Ditto		
Richmond River	John Govett Smith ⁸	19 April, 1877	Ditto		
	Joseph Foreman ⁹	12 June, 1877	Ditto		
Rockley	Edward O'Brien	27 Nov., 1867	Ditto		
Rocky Mouth	Samuel Bailey Eadon ¹⁰ ..	24 April, 1874	Ditto		

Paid by fees of 2s. 6d. and 3s. 6d. for each successful case.

¹ Also Vaccinator, Richmond River. ² William Holdsworth Macfarlane, acting during absence from 10 October, 1877. ³ Appointed to Parkes. ⁴ Also Vaccinator, Rocky Mouth. ⁵ Also Vaccinator, Wollombi. ⁶ Also Vaccinator, Paterson. ⁷ Also Vaccinator, East and West Maitland (see above). ⁸ Also Vaccinator, Grafton. ⁹ Also Vaccinator for Tweed River. ¹⁰ Also Vaccinator for Lower Clarence.

NEW SOUTH WALES—1878.

Office.	Name.	Date of Appointment.	By whom appointed, and under what Instrument.	Annual Salary. £ s. d.	Date of first Appointment under the Colonial Government.
COLONIAL SECRETARY—MEDICAL ADVISER, VACCINATION, MEDICAL OFFICERS, ETC.—continued.					
			VACCINATORS—continued.		
Country Districts—contd.					
Ryde	Frederick Cumming	23 Nov., 1877	Governor and Executive Council	Paid by fees of 2s. 6d. and 3s. 6d. for each successful case.	
Rylstone	John Pericles	23 Feb., 1877	Ditto		
Scone	John Mildred Creed	14 July, 1876	Ditto		
Singleton (Patrick's Plains).	Henry Glennie	27 Oct., 1869	Ditto		
Shoalhaven	Richard Read	19 July, 1878	Ditto		
Sofala	John Parker Brereton	4 May, 1877	Ditto		
Tamworth	Westby Walker		Ditto		
Tenterfield	William Henry Wood	28 Sept., 1877	Ditto		
Tweed River	Arthur Wigley Bateman	19 July, 1878	Ditto		
Ulladulla	Joseph Foreman ¹	20 July, 1877	Ditto		
Walcha	Thomas Goldson Ivimy		Ditto		
	Christian Ulrich Delft Schrader.	12 May, 1876	Ditto		
Walgett	William Lamb	22 Feb., 1878	Ditto		
Wallsend	Andrew Nash	18 Feb., 1876	Ditto		
Wagga Wagga	Erasmus Wren	5 Dec., 1876	Ditto		
Warialda	William James Barkas	7 June, 1878	Ditto		
Wellingrove	Alexander Skinner	27 Oct., 1869	Ditto		
Wellington	Robert Rygate	27 Oct., 1869	Ditto		
Wee Waa	Charles Meziere de Lepervanche.	15 Dec., 1870	Ditto		
Wentworth	John Scott Wilson	12 Dec., 1876	Ditto		
Windsor	Louis Conrad Jockel	30 Oct., 1877	Ditto		
Wollongong	William Lyons ²	13 April, 1872	Administrator of Government and Executive Council.		
Wollombi	J. S. Milne ³	5 Nov., 1866	Governor and Executive Council		
Yass	Allen Campbell	19 Nov., 1859	Ditto		
	Michael Perry	4 April, 1873	Ditto		
Young	Charles Temple ⁴	3 Mar., 1871	Ditto		
	Reginald Henry Kemp Bennett.	6 Feb., 1877	Ditto		
	succeeded by				
	John Theophilus Heeley	8 Feb., 1878	Ditto		
	Arthur J. Vance	22 Feb., 1878	Ditto		
¹ Also additional Vaccinator for Richmond River. ² Also Vaccinator, Dapto. ³ Also Vaccinator, St. Alban's, Macdonald River. ⁴ To June—deceased.					
MEDICAL OFFICERS.					
Police Surgeon	Myles Egan	19 May, 1863	Governor and Executive Council	200 0 0	27 May, 1861.
Visiting Surgeon, Gaol, Sydney, and Lunatic Reception House.	James Macnish ¹ (Acting)	11 Aug., 1877	Ditto	350 0 0	11 Aug., 1877.
	succeeded by				
Dispenser, Sydney Gaol	Maurice J. O'Connor	1 July, 1878	Ditto	350 0 0	1 July, 1878.
Visiting Surgeon—	Thomas Marum ²	1 Feb., 1874	Ditto	150 0 0	1 Feb., 1874.
Parramatta Gaol	Walter Brown, M.D.	1 Mar., 1873	Ditto	100 0 0	20 Dec., 1860.
Destitute Asylum, Parramatta.					
Protestant Orphan School	Robert Champley Rutter	1 Mar., 1873	Ditto	150 0 0	21 Feb., 1873.
Roman Catholic Orphan School.					
Bathurst Gaol	William Frederick Bassett	10 Feb., 1870	Ditto	50 0 0	— 1851.*
Maitland Gaol	William Wilton ³	1 Jan., 1849	Governor	70 0 0	1 Jan., 1849.
	succeeded by				
Goulburn Gaol	William Spink	1 April, 1878	Governor and Executive Council	70 0 0	1 April, 1878.
Berrima Gaol (and Dispenser)	Peter Hume Gentle	1 Nov., 1875	Ditto	50 0 0	1 Oct., 1869.
Albury Gaol	George Proud Lambert	10 May, 1876	Ditto	200 0 0	1 Jan., 1867.
Braidwood Gaol	Arthur Andrews	4 Feb., 1876	Ditto	40 0 0	
Mudgee Gaol	Rees Llewellyn	1 Feb., 1875	Ditto	25 0 0	
	Charles E. Rowling ⁴	1 Aug., 1876	Ditto	40 0 0	
	succeeded by				
Armidale Gaol	John Lawrence Newton	15 Dec., 1878	Ditto	40 0 0	
Wagga Wagga Gaol	William Sheldon	23 Nov., 1874	Ditto	25 0 0	
Yass Gaol	Erasmus Wren	1 Aug., 1875	Ditto	25 0 0	
Deniliquin Gaol	Michael Perry	1 Feb., 1873	Ditto	25 0 0	
Port Macquarie Gaol	Alfred William Finch Noyes	1 Feb., 1873	Ditto	25 0 0	23 April, 1869.
Young Gaol	John Spencer ⁵	1 July, 1873	Ditto	150 0 0	
	Charles Temple ⁶	1 April, 1878	Ditto	25 0 0	
	succeeded by				
Medical Visitor to Lunatic Asylum, Parramatta.	John T. Heeley	— May, 1878	Ditto	25 0 0	
Visiting Surgeon, Nautical School Ship "Vernon."	Walter Brown, M.D.	1 June, 1867	Ditto	50 0 0	20 Dec., 1860.
Visiting Surgeon, Industrial School and Reformatory, Biloela (Cockatoo Island).	Owen Spencer Evans	1 Nov., 1871	Ditto	50 0 0	21 Mar., 1861.
Visiting Medical Officer to Lunatic Asylum for Imbeciles, and Institution for Idiots, Newcastle.	Owen Spencer Evans	22 June, 1871	Ditto	50 0 0	21 Mar., 1861.
Surgeon & Dispenser, Hyde Park Asylum.	Richard Harris	7 Oct., 1871	Ditto	75 0 0	12 Sept., 1867.
	Robert D. Ward, M.R.C.S.E.	16 April, 1872	Administrator of Government and Executive Council.	150 0 0	27 Sept., 1853.
¹ To 30 June. ² Allowed £52 per annum, in lieu of quarters. ³ To 31 March. ⁴ To 14 December. ⁵ To 31 March. ⁶ To 11 May—drowned.					
* Services not continuous.					

Office.	Name.	Date of Appointment.	By whom appointed, and under what Instrument.	Annual Salary. £ s. d.	Date of first Appointment under the Colonial Government.
COLONIAL SECRETARY—MEDICAL ADVISER, VACCINATION, MEDICAL OFFICERS, ETC.—continued.					
MEDICAL OFFICERS—continued.					
Districts— <i>contd.</i>					
Dispenser, Parramatta Asylum for Infirm and Destitute and Gaol	Thomas Stapleton	22 Nov., 1875 1 Nov., 1875	Governor and Executive Council	150 0 0	1 Nov., 1875.
Visiting Medical Officer, Lunatic Asylum, Cooma.	John Daniel	1 April, 1877	Ditto	50 0 0	1 April, 1877.
Districts—					
Albury	Arthur Andrews	12 Jan., 1876	Ditto		
Armistdale	William Sheldon	18 Dec., 1874	Ditto		
Bathurst	William Frederick Bassett	4 Oct., 1870	Ditto		
Bega	John Shiels	27 Oct., 1869	Ditto		
Berrima	George Proud Lambert	6 Feb., 1877	Ditto		
Bombala	William James Barkas	4 May, 1877	Ditto		
	succeeded by				
	William George Watson	28 June, 1878	Ditto		
Bourke	Charles James Grant ¹	21 Aug., 1874	Ditto		
Braidwood	Rees Llewellyn	2 Feb., 1875	Ditto		
Broulee	Edward Boot	27 Oct., 1869	Ditto		
Camden, Narellan, and Picton	George Goode	19 April, 1876	Ditto		
Carcoar	William Getty	22 May, 1874	Ditto		
Cooma	James Donovan	14 Sept., 1877	Ditto		
Corowa	Francis Meagher Harricks	8 Dec., 1876	Ditto		
Demiliquin	Alfred Wm. Finch Noyes	27 Oct., 1869	Ditto		
Dowling (Ulladulla)	Thomas Goldson Ivimy	27 Oct., 1869	Ditto		
Dubbo	Walter Hugh Tibbits	27 Oct., 1869	Ditto		
Dungog	Ellar M'Kellar M'Kinlay	27 Oct., 1869	Ditto		
Forbes	Seth Sam	2 Mar., 1877	Ditto		
Goulburn	Peter Hume Gentle	10 Nov., 1875	Ditto		
Grenfell	John Rutherford Riley	15 June, 1877	Ditto		
	succeeded by				
	John Thomas Burgoyne	1 Feb., 1878	Ditto		
Grafton	Robert Purdie	21 July, 1876	Ditto		
Gunnedah	Samuel Alous Dow	18 Sept., 1877	Ditto		
Gulgong	Charles Edward Barnard	2 Mar., 1877	Ditto		
Hartley	Robert Falder	25 May, 1877	Ditto		
	succeeded by				
	Charles James Grant	20 Sept., 1878	Ditto		
Hay (Oxley)	John Mackenzie Gordon	31 Mar., 1876	Ditto		
	succeeded by				
	David Wm. Balfour Wilkie	22 Oct., 1878	Ditto		
Hill End	John O'Connell ²	8 Dec., 1874	Ditto		
Inverell	Louis Segol	9 Feb., 1877	Ditto		
Jerilderie	Charles Penrose Bellamy	7 June, 1878	Ditto		
Liverpool	William Edward Strong	25 Jan., 1877	Ditto		
Lower Clarence	Lawrence Maxton	8 Jan., 1878	Ditto		
	succeeded by				
	S. Bailey Eadon	16 Aug., 1878	Ditto		
Maitland	Richard Fortune Blackwell	27 Mar., 1877	Ditto		
Molong	Andrew Ross	27 Oct., 1869	Ditto		
Mudgee	Charles Edward Rowling	28 July, 1876	Ditto		
Murrurundi	William Bissett Knowles	18 Dec., 1874	Ditto		
Muswellbrook & Merton	Robert Edward Grigson	10 Nov., 1875	Ditto		
Narrandera	Oliver Thomas Slatter	14 Sept., 1877	Ditto		
Newcastle	Cosby William Morgan	10 Dec., 1878	Ditto		
Orange	John Frederick Codrington	2 July, 1875	Ditto		
Parkes	John O'Connell	22 Mar., 1878	Ditto		
Parramatta	Robert Champey Rutter	21 Feb., 1873	Ditto		
Patrick's Plains	Henry Glennie	27 Oct., 1869	Ditto		
Penrith	Charles Johnson	28 July, 1876	Ditto		
Port Macquarie	Thomas Spencer	23 Feb., 1877	Ditto		
Port Stephens	Alexander Rankin Hutchison	5 April, 1878	Ditto		
Raymond Terrace	James Inglis	22 Dec., 1876	Ditto		
Richmond River	John Govett Smith	19 April, 1877	Ditto		
Ryde	Frederick Cumming	23 Nov., 1877	Ditto		
Scone	John Mildred Creed	14 July, 1876	Ditto		
Shoalhaven	John Parker Brereton	4 May, 1877	Ditto		
Tamworth	William Henry Wood	28 Sept., 1877	Ditto		
Tenterfield	Arthur Wigley Bateman	19 July, 1878	Ditto		
Wagga Wagga	Erasmus Wren	5 Dec., 1876	Ditto		
Warialda	William James Barkas	7 June, 1878	Ditto		
Walgett	William Lamb	22 Feb., 1878	Ditto		
Wallsend	Andrew Nash	18 Feb., 1876	Ditto		
Wee Waa	Charles Meziere De Lopervanche	15 Dec., 1870	Ditto		
	succeeded by				
	Alexander Skinner	27 Oct., 1869	Ditto		
Wellingrove	Robert Rygate	27 Oct., 1869	Ditto		
Wellington	John Scott Wilson	12 Dec., 1876	Ditto		
Wentworth	Louis Conrad Jockel	30 Oct., 1877	Ditto		
Windsor	William Lyons	23 April, 1872	Administrator of Government and Executive Council		
Yass	Michael Perry	4 April, 1873	Governor and Executive Council		
Young	Charles Temple	3 Mar., 1871	Ditto		
	succeeded by				
	John Theophilus Heeley	14 June, 1878	Ditto		

Paid by fees

¹ Appointed to Hartley.² Appointed to Parkes.

Office.	Name.	Date of Appointment.	By whom appointed, and under what Instrument.	Annual Salary.	Date of first Appointment under the Colonial Government.
				£ d.	

COLONIAL SECRETARY—continued.

LUNATIC ASYLUMS.

BOARD OF VISITORS.

Visitors (President)	Alfred Roberts ¹	7 June, 1867 30 Mar., 1876, as President.	Governor and Executive Council	100 0 0	7 Mar., 1867.
	William Owen	7 June, 1867	Ditto	100 0 0	1 Aug., 1861.
	Haynes Gibbes Alleyne, M.D. ...	24 Feb., 1876	Ditto	100 0 0	11 May, 1848, to Sept., 1849.*

¹ Allowed £50 per annum for clerical assistance.

* Services not continuous.

ASYLUMS GENERALLY.

Inspector of the Insane ...	Frederic Norton Manning ¹ ..	1 Jan., 1876	Governor and Executive Council	800 0 0	15 Oct., 1868.
Clerk	Arthur Whiting	23 July, 1878	Ditto	150 0 0	24 April, 1869.*

¹ Allowed £200 in lieu of quarters from 15 April.

* Services not continuous.

HOSPITAL FOR THE INSANE, GLADESVILLE.

Medical Superintendent	Frederic Norton Manning ¹ ..	15 Oct., 1868	Governor and Executive Council	(see above.)	15 Oct., 1868.
Deputy ditto	Thomas Morgan Joseph ² ..	1 Jan., 1876	Ditto	400 0 0	24 Feb., 1872.
Assistant Medical Officer	Wm. Edwd. Norton Erith ² ..	18 April, 1878	Ditto	300 0 0	18 April, 1878.
Assistant Superintendent	Edward Marsden Betts ³ ..	1 Dec., 1872	Ditto	250 0 0	23 May, 1859.*
Clerk	John Edington Moore ⁴ ..	1 Sept., 1876	Colonial Secretary	100 0 0	27 May, 1872.
Dispenser	Alexander Dalgleish ⁵ ..	11 July, 1877	Governor and Executive Council	130 0 0	11 July, 1877.
Matron	Mary Bland ⁶ ..	1 Jan., 1874	Ditto	120 0 0	1 Jan., 1874.
Chief Attendant	Thomas Folkard ⁵ ..	1 July, 1864	Medical Superintendent	120 0 0	14 Nov., 1859.
Senior Attendants (8)			Ditto	96 0 0	each.
	(One from 10th August) ..		Ditto	84 0 0	"
Junior Attendants... (6) ⁷ ..	(One from 1 October) ..		Ditto	78 0 0	"
	(One from 7 October) ..		Ditto	72 0 0	"
Senior Nurses			Ditto	56 0 0	"
			Ditto	50 0 0	"
Junior Nurses			Ditto	46 0 0	"
			Ditto	40 0 0	"
Artizan Attendants (2) ⁶ ..			Ditto	{ 1 at 1 at	per diem.
Needlewoman (1) ⁶ ..			Ditto	60 0 0	"
Grounds Attendant (1) ⁶ ..			Ditto	80 0 0	"
Store Attendant (1) ⁸ ..			Ditto	86 0 0	"
Cooks (2) ⁶ ..			Ditto	{ 1 at 1 at	"
			Ditto	66 0 0	"
Out-door Attendants (2) ⁸ ..			Ditto	{ 1 at 1 at	"
			Ditto	78 0 0	"
Gatekeepers (2) ⁶ ..			Ditto	{ 1 at 1 at	"
			Ditto	72 0 0	"
Carter (1) ⁶ ..			Ditto	50 0 0	"
Gardener (1) ⁹ ..			Ditto	66 0 0	"
Laundresses (4) ⁶ ..			Ditto	{ 1 at 3 at	"
			Ditto	46 0 0	"
Housemaid (1) ⁶ ..			Ditto	40 0 0	"
Engine-drivers (2) ..			Ditto	{ 1 ¹⁰ at 1 at	per week.
			Ditto	0 10 0	"
Chaplains:—				2 14 0	"
Church of England.....	Rev. Julian H. Rowsell ..	13 Feb., 1876	Governor and Executive Council	50 0 0	13 Feb., 1876.
Roman Catholic	Rev. Zephirin Muraire ..	1 Jan., 1868	Ditto	50 0 0	1 Jan., 1868.

¹ Allowed £45 per annum in lieu of provisions, fuel, and light. Gives security to the amount of £300. ² Allowed quarters, also £45 per annum in lieu of provisions, fuel, and light. ³ Allowed a house; also £45 per annum in lieu of provisions, fuel, and light. ⁴ Allowed house rent; also £25 per annum in lieu of provisions, fuel, and light. ⁵ Allowed a house, fuel, and light, and £18 per annum in lieu of provisions. ⁶ Allowed quarters, rations of provisions, fuel, and light. ⁷ Five allowed quarters; all allowed a ration of provisions, fuel, and light. ⁸ Allowed a ration of provisions, fuel, and light. ⁹ Allowed a house and a ration of provisions, fuel, and light. ¹⁰ Allowed a house. * Services not continuous.

LUNATIC ASYLUM, PARRAMATTA.

Medical Superintendent	Charles Taylor, M.D. ¹ ..	23 Sept., 1872	Governor and Executive Council	600 0 0	21 Dec., 1868.*
Assistant Medical Officer	Richard Battersby Scholes, M.B. ² ..	18 Jan., 1878	Ditto	300 0 0	6 Feb., 1877.
Assistant Superintendent	Henry Colley ² ..	20 June, 1877	Ditto	270 0 0	1 Feb., 1872.
Medical Visitor (see p. 33) ..					
Matron	Jane Burn ³ ..	1 June, 1865	Ditto	120 0 0	1 June, 1865.
Assistant Clerk	Ethelred Bennett ⁴ ..	1 Aug., 1874	Ditto	110 0 0	24 April, 1874.
Dispenser	Arthur Hunter Simms ⁴ ..	1 Jan., 1875	Ditto	140 0 0	1 May, 1863.*
Chief Attendant	James Wharf ³ ..	20 Sept., 1877	Ditto	150 0 0	1 June, 1864.
Senior Male Attendants (8) ⁵ ..	(One from 1 October) ..		Medical Superintendent	96 0 0	} each.
			Ditto	84 0 0	
			Ditto	78 0 0	
			Ditto	72 0 0	
			Ditto	66 0 0	
Junior Male Attendants (18) ⁵ ..					
	(From 14 May to 31 July)				

¹ Allowed a house and £45 per annum in lieu of provisions, fuel, and light. ² Allowed quarters, and £45 per annum in lieu of provisions, fuel, and light. ³ Allowed quarters, and £18 per annum in lieu of provisions. ⁴ Allowed quarters and £25 per annum in lieu of provisions, fuel, and light. ⁵ Allowed quarters, rations of provisions, fuel, and light. * Services not continuous.

Office.	Name.	Date of Appointment.	By whom appointed, and under what Instrument.	Annual Salary. £ s. d.	Date of first Appointment under the Colonial Government.	
COLONIAL SECRETARY—LUNATIC ASYLUMS—<i>continued.</i>						
LUNATIC ASYLUM, PARRAMATTA—<i>continued.</i>						
Senior Nurses ¹ (3)	(Average numbers)		Medical Superintendent	56 0 0	} each.	
Junior Nurses ¹ (7)	Ditto		Ditto	50 0 0		
Servants ¹ (2)			Ditto	46 0 0		
	(1)		Ditto	40 0 0		
	(1)		Ditto	80 0 0		
	(3)		Ditto	78 0 0		
	(1)		Ditto	72 0 0		
Artizan Attendant (1)	(From 1 June)		Ditto	66 0 0		} per diem.
	(To 31 May)		Ditto	60 0 0		
			Ditto	52 0 0		
			Ditto	46 0 0		
Needlewoman (1) ¹			Ditto	0 5 6		
Grounds Attendant (1) ²			Ditto	60 0 0		
Engine Driver (1) ³	(From 1 June)		Ditto	80 0 0		
Chaplains :—				0 8 0		,,
Church of England	Rev. J. R. Blomfield	1 Oct., 1868	Governor and Executive Council	50 0 0	16 Mar., 1851.	
Roman Catholic	Ven. Archdeacon John J. Rigney.	1 Feb., 1874	Ditto	50 0 0	16 July, 1838.	
¹ Allowed quarters, rations of provisions, fuel, and light. ² Allowed a cottage; and a ration of provisions, fuel, and light. ³ Allowed a ration of provisions, fuel, and light. * Services not continuous.						
LUNATIC RECEIVING-HOUSE, DARLINGHURST.						
Superintendent	Frederick Fowler	1 July, 1868	Governor and Executive Council	140 0 0	8 Jan., 1862.	
Matron	Eliza Ann Fowler	1 April, 1872	Administrator of Government and Executive Council.	60 0 0	1 April, 1872.	
Medical Visitor (see p. 33) ..						
Attendants (3)			Inspector of the Insane { 2 at... 1 at...	78 0 0 72 0 0	each.	
Nurses (3)			Ditto { 1 at... 2 at...	50 0 0 46 0 0	,,	
NOTE.—All reside in the building, and are allowed rations of provisions, fuel, and light.						
LUNATIC ASYLUM FOR IMBECILES, AND INSTITUTION FOR IDIOTS, NEWCASTLE.						
Superintendent	Frederic Cane ¹	1 April, 1872	Administrator of Government and Executive Council.	175 0 0	22 Feb., 1868.	
Matron	Elizabeth Cane ¹	12 June, 1872	Ditto	75 0 0	12 June, 1872.	
Chief Attendant and Storekeeper ..	Edwin Waller ²	11 Jan., 1874	Governor and Executive Council	100 0 0	1 Jan., 1859.	
Medical Visitor (see p. 33) ..						
Senior Attendants (2) ²			Inspector of the Insane { 1 at... 1 at...	96 0 0 84 0 0	} each.	
Junior Attendants (5) ²			Ditto { 3 at... 2 at...	78 0 0 72 0 0		
Senior Nurse (1) ²	(One from 6 October)		Ditto	56 0 0		,,
Junior Nurses { (4) ² (3) ²			Ditto	50 0 0	} per diem.	
Needlewoman (1)			Ditto	46 0 0		
Male Servants (4) ³			Ditto { 1 at... 2 at... 1 at...	78 0 0 72 0 0 50 0 0	,,	
Female Servants (3) ²			Ditto	46 0 0	,,	
Artizan Attendants (2)			Ditto { 1 at... 1 at...	0 6 6 0 5 6	,,	
Chaplains :—						
Church of England	Arthur E. Selwyn	1 Jan., 1872	Governor and Executive Council	20 0 0	1 Jan., 1853.	
Roman Catholic	Michael H. Ryan	1 Jan., 1872	Ditto	20 0 0	1 Jan., 1872.	
¹ Allowed quarters, and £30 per annum in lieu of provisions. ² Allowed quarters, and a ration of provisions, fuel, and light. ³ Two allowed quarters, and each a ration of provisions, fuel, and light.						
NOTE.—The Superintendent gives security to the amount of £100.						
LUNATIC ASYLUM, CALLAN PARK.						
Medical Superintendent	Frederick Norton Manning	18 July, 1878	Governor and Executive Council	See p. 35	15 Oct., 1868.	
Deputy do.	Thomas Morgan Joseph ...	18 July, 1878	Ditto	See p. 35	24 Feb., 1872.	
Clerk	Arthur Whiting ¹	23 July, 1878	Ditto	100 0 0	24 April, 1869.*	
Chief Attendant	William Little ¹	13 Oct., 1877	Inspector of the Insane	120 0 0	6 May, 1863.	
Senior Attendant (1) ¹			Ditto	96 0 0	} each.	
Junior Attendants (3) ¹			Ditto { 2 at... 1 at...	84 0 0 78 0 0		
Gardener (1) ¹			Ditto	72 0 0		
Female Servants (2) ¹			Ditto { 1 at... 1 at...	50 0 0 46 0 0		
Chaplains :—						
Church of England	Rev. W. F. B. Uzzell	1 July, 1876	Governor and Executive Council	26 0 0		
Roman Catholic	Rev. Thomas Keating ² ..	1 Jan., 1878	Ditto	26 0 0		
	succeeded by Rev. John Dillon	1 Mar., 1878	Ditto	26 0 0		
¹ Allowed quarters and a ration of provisions, fuel, and light. ² To the 28th February. * Services not continuous.						

NEW SOUTH WALES—1878.

Office.	Name.	Date of Appointment.	By whom appointed, and under what instrument.	Annual Salary.	Date of first Appointment under the Colonial Government.
				£ s. d.	

COLONIAL SECRETARY—LUNATIC ASYLUMS—*continued.*

TEMPORARY LUNATIC ASYLUM, COOMA.

Superintendent	John M'George ¹	1 Jan., 1877	Governor and Executive Council	250 0 0	1 July, 1869.
Visiting Medical Officer(see p. 34).
Chief Attendant	David Meppom ²	1 Jan., 1877	Inspector of the Insane	120 0 0	7 April, 1872.
Senior Attendant (1) ²	Ditto	96 0 0
Junior Attendant (5) ²	Ditto	84 0 0	each.
Female Servants (2) ²	Ditto	78 0 0	"
Chaplains:—	Ditto	50 0 0	"
Church of England.....	Rev. Thomas Druitt	1 July, 1877	Governor and Executive Council	26 0 0	1 Jan., 1854.
Roman Catholic	Rev. Edward O'Brien ³	1 July, 1877	Ditto	26 0 0	15 July, 1852.
	succeeded by
	Rev. Patrick Slattery	1 April, 1878	Ditto	26 0 0

¹ Allowed quarters and a ration of provisions, fuel, and light. Gives security for £100. ² Allowed quarters, and a ration of provisions, fuel, and light. ³ To 22 February.

INSPECTOR OF PUBLIC CHARITIES.

Inspector.....	Hugh Robison	12 Sept., 1876	Governor and Executive Council	500 0 0	12 Sept., 1876.
----------------	--------------------	----------------	--------------------------------	---------	-----------------

Allowed travelling expenses.

GOVERNMENT ASYLUMS FOR THE INFIRM AND DESTITUTE.

Manager	Frederic King ¹	25 Mar., 1876	Governor and Executive Council	500 0 0	14 Mar., 1862.
Clerk	Leslie Rowling.....	1 Jan., 1878	Colonial Secretary	50 0 0	1 Jan., 1878.
Messenger (1) ²	1 Jan., 1878	The Board	90 0 0

HYDE PARK ASYLUM.

Surgeon and Dispenser.....	(See page 32.)
Matron	Lucy H. Hicks ³	15 Feb., 1862	Governor and Executive Council	200 0 0	13 May, 1861.
Sub-Matron	Mary E. Appleyhaite	1 Jan., 1875	The Board	50 0 0	1 Jan., 1875.
Cooks, Nurses, &c.....	from 1s. to 3d. per diem.

PARRAMATTA ASYLUM.

Surgeon	(See page 33.)
Dispenser	(See page 34.)
Master	James Dennis ³	13 Mar., 1862	Governor and Executive Council	150 0 0	1 Mar., 1862.
Matron	C. H. M. Dennis ³	13 Mar., 1862	Ditto	50 0 0	1 Mar., 1862.
Clerks, Wardsmen, Cooks, &c.	from 1s. to 3d. per diem.

LIVERPOOL ASYLUM.

Surgeon and Superintendent	W. E. Strong, M.D. ³	20 June, 1871	Governor and Executive Council	300 0 0	20 June, 1871.
Matron	Mary Burnside ³	13 Mar., 1862	Ditto	200 0 0	13 Mar., 1862.
Clerks, Wardsmen, Cooks, &c.	from 1s. to 3d. per diem.

¹ Gives security to the amount of £1,000. ² Allowed quarters, fuel, and light. ³ Allowed a house and 4s. 8d. per week in lieu of rations.

COMMISSIONERS TO ADVISE THE GOVERNMENT IN MATTERS CONNECTED WITH THE DEFENCE OF THE COLONY FROM FOREIGN AGGRESSION.

Commissioners	John Soame Richardson (President.) ¹	17 Feb., 1865.
	William Macleay	{ Governor and Executive Council, under the Great Seal of the Colony }	Nil.	{ 4 Aug., 1860. 1 May, 1849. 1 Jan., 1863. 1 Jan., 1858. 26 Aug., 1856.* }
	James Barnet ²	8 Sept., 1870			
	Edward Orpen Moriarty ³			
	Francis Hixson ⁴			
	Edward Charles Cracknell ⁵			
	The Hon. Sir James Martin, Knt., Q.C. ⁶	15 July, 1872	Ditto	Nil.
	Colonel C. F. Roberts ⁷	11 Sept., 1876	Ditto	Nil.	28 Aug., 1876.
Secretary	Captain James Wilson	11 Sept., 1870	Ditto	(see p. 39)...	1 April, 1868.

¹ Commandant of Permanent and Volunteer Military Forces. ² Colonial Architect. ³ Engineer-in-Chief for Harbours and River Navigation, &c. ⁴ President of the Marine Board—Captain Commanding Naval Brigade. ⁵ Superintendent of Electric Telegraphs. ⁶ Chief Justice. ⁷ Colonel Commanding New South Wales Artillery. * Services not continuous.

PERMANENT AND VOLUNTEER MILITARY FORCES.

PERMANENT MILITARY FORCE.					
Commanding New South Wales Artillery.	Colonel Charles Fyshe Roberts. ¹	28 Aug., 1876	Governor and Executive Council	500 0 0	1 Jan., 1873.
Major, New South Wales Artillery.	Warner Wright Spalding.	28 Aug., 1876 (altered to)	Ditto	385 0 0	1 Aug., 1871.
Major, New South Wales Artillery.	George John Airey ²	8 Aug., 1877	Ditto	385 0 0	1 Aug., 1871.
Major, New South Wales Artillery.	Michael Murphy ²	19 Sept., 1878	Ditto	385 0 0	28 Aug., 1876.
Captain, New South Wales Artillery. ²	George Henry Bacchus ³	15 Dec., 1876	Ditto	256 0 0	2 Feb., 1876.
	succeeded by
	Pembroke Lathrop Murray	28 Oct., 1878	Ditto	256 0 0	16 Jan., 1874.

¹ Lodging allowance, £175 per annum; allowed rations of provisions, fuel, and light, and forage for two horses. ² Allowed quarters, rations of provisions, fuel, and light, and forage for one horse. ³ To the 28th July—Deceased.

Office.	Name.	Date of Appointment.	By whom appointed, and under what Instrument.	Annual Salary. £ s. d.	Date of first Appointment under the Colonial Government.		
COLONIAL SECRETARY—PERMANENT AND VOLUNTEER MILITARY FORCES—continued.							
PERMANENT AND MILITARY FORCES—contd.							
Captain, New South Wales Artillery. ²	Michael Murphy ¹	15 Dec., 1876	Governor and Executive Council	256 0 0	28 Aug., 1876.		
	succeeded by Henry Douglas Mackenzie	28 Oct., 1878	Ditto	256 0 0	31 July, 1877.		
Lieutenants, New South Wales Artillery.	Henry Le Patourel ²	9 April, 1875	Ditto	238 0 0	9 April, 1875.		
	Arthur Le Patourel ²	28 Aug., 1876	Ditto	238 0 0	28 Aug., 1876.		
	Frederick Thomas Bendge Baynes ² .	28 Aug., 1876	Ditto	238 0 0	28 Aug., 1876.		
	² Pembroke Lathrop Murray ¹	5 Sept., 1876	Ditto	238 0 0	16 Jan., 1874.		
	² Henry Douglas Mackenzie ¹	31 July, 1877	Ditto	238 0 0	31 July, 1877.		
	² James Edward Doidge Taunton ³ .	31 July, 1877	Ditto	238 0 0	31 July, 1877.		
	Robert Allwood Nathan ²	31 July, 1877	Ditto	238 0 0	2 Aug., 1871.		
	Henry Park Airey ⁴	31 July, 1877	Ditto	238 0 0	31 July, 1877.		
	Charles William Pleydell Bouverie ² .	18 Nov., 1878	Ditto	238 0 0	18 Nov., 1878.		
	Arthur Henry Patrick Savage ² .	25 Nov., 1878	Ditto	238 0 0	25 Nov., 1878.		
Staff Surgeon	William James Guthrie Bedford ² .	11 Dec., 1875	Ditto	274 0 0	16 June, 1868.		
Acting Chaplains— Dawes' Point— Church of England	Rev. Edward Rogers	9 Oct., 1871	Ditto	Each allowed 10s. per annum for each officer and man.	20 Jan., 1838.		
Roman Catholic	Rev. Peter Young	13 May, 1875	Ditto				
Victoria Barracks— Church of England	Rev. Zachary Barry.....	11 Oct., 1876	Ditto				
Roman Catholic	Rev. Austin John Forde...	10 Sept., 1877	Ditto				
	succeeded by Rev. Thomas Stephen Leonard.	13 Mar., 1878	Ditto				
Presbyterian	Rev. James Milne	11 Oct., 1876	Ditto				
South Head— Church of England	Rev. Henry Wallace Mort	10 Sept., 1877	Ditto				
Batteries North side of Harbour— Church of England ...	Rev. George Charles Bode,	1 Jan., 1878	Ditto				
VOLUNTEER ARTILLERY. Commanding Artillery Forces.	Colonel Charles Fysher Roberts.	28 Aug., 1876	Ditto			(see p. 37) ...	1 Jan., 1873.
Commanding Vol. Artillery Brigade (to 3 Nov.)	Lieut.-Colonel Watson Wilson ⁵	17 Dec., 1875	Ditto			100 0 0	22 Aug., 1866.
Commanding N.S.W. Regt., Vol. Artillery.		4 Nov., 1878	Ditto	100 0 0			
Major, Vol. Artillery Brigade (to 3 Nov.)	Frederick Wells ⁶	16 Nov., 1874.	Ditto	Nil.	28 Mar., 1859.		
Major, N.S.W. Regt., Vol. Artillery.		4 Nov., 1878	Ditto	50 0 0			
Captain, No. 10 Battery (to 3 Nov.)	John Macdonald	26 Oct., 1870	Ditto	Nil.	26 Oct., 1870.		
Captain, N.S.W. Regt., Vol. Artillery.		4 Nov., 1878	Ditto	40 0 0			
Captain, No. 5 Battery (to 3 Nov.)	William Gore Beverley	1 May, 1871	Ditto	Nil.	17 April, 1861.		
Captain, N.S.W. Regt., Vol. Artillery.		4 Nov., 1878	Ditto	40 0 0			
Captain, No. 1 Battery (to 3 Nov.)	Francis Fahey	1 Aug., 1871	Ditto	Nil.	19 Oct., 1868.		
Captain, N.S.W. Regt., Vol. Artillery.		4 Nov., 1878	Ditto	40 0 0			
Captain, No. 7 Battery (to 3 Nov.)	Barcroft Capel Boako...	26 April, 1872	Administrator of Government and Executive Council.	Nil.	18 Mar., 1871.		
Captain, N.S.W. Regt., Vol. Artillery.		4 Nov., 1878	Governor and Executive Council	40 0 0			
Captain, N.S.W. Regt., Vol. Artillery.	Perey Owen	4 Nov., 1878	Ditto	40 0 0	15 June, 1871.		
Captain, No. 2 Battery (Old Artillery)	Paul Talbot ⁷	15 Dec., 1874	Ditto	Nil.	9 June, 1864.		
Captain, No. 4 Battery (Old Artillery.)	William Cooper	19 Oct., 1868	Ditto	Nil.	5 Mar., 1867.		
Captain, No. 6 Battery (Old Artillery.)	Henry Deane	1 May, 1871	Ditto	Nil.	5 Mar., 1867.		
Captain, No. 8 Battery (Old Artillery.)	Charles Henry Myles	11 Dec., 1875	Ditto	Nil.	21 Nov., 1871.		
Captain, No. 9 Battery (Old Artillery.)	Henry Houghton Burton Bradley.	4 Dec., 1874	Ditto	Nil.	1 Aug., 1871.		
Captain, (Supernumerary—Old Artillery.)	Charles Arthur Walker Lett.	14 July, 1874	Ditto	Nil.	8 May, 1860.		

¹ Promoted.² Allowed quarters, ration of provisions, fuel, and light, and forage for one horse.³ To the 3rd November—Promoted to Volunteer

Permanent Staff.

⁴ Lodging allowance £60 per annum, with rations of provisions, fuel, and light, and forage for a horse.⁵ To the 12th November—retired.⁶ Allowed forage for a horse.⁷ Allowed £25 per annum in lieu of forage for a horse.

NEW SOUTH WALES—1878.

Office.	Name.	Date of Appointment.	By whom appointed, and under what Instrument.	Annual Salary. £ s. d.	Date of first Appointment under the Colonial Government.
COLONIAL SECRETARY—PERMANENT AND VOLUNTEER MILITARY FORCES—continued.					
VOLUNTEER ARTILLERY—continued.					
Adjutant (Old Artillery) ...	Warner Wright Spalding	11 Sept., 1875	Governor and Executive Council	100 0 0	1 Aug., 1871.
1st Lieutenant (Old Artillery—(to 3 Nov.) ...)	Arthur Bennett	1 Aug., 1871	Ditto	Nil.	8 Sept., 1870.
1st Lieutenant (New Artillery) ...		4 Nov., 1878	Ditto	30 0 0	
1st Lieutenant (Old Artillery—to 3 Nov.) ...	Edward Kirchner	24 Oct., 1872	Ditto	Nil.	26 April, 1872.
1st Lieutenant (New Artillery) ...		4 Nov., 1878	Ditto	30 0 0	
1st Lieutenant (Old Artillery—to 3 Nov.) ...	James Kirkaldy	13 April, 1874	Ditto	Nil.	30 Nov., 1872.
1st Lieutenant (New Artillery) ...		4 Nov., 1878	Ditto	30 0 0	
1st Lieutenants (New Artillery.)	John Cochrane Remington	4 Nov., 1878	Ditto	30 0 0	1 Aug., 1871.
	Henry Chapman	4 Nov., 1878	Ditto	30 0 0	11 Aug., 1873.
	Walter Graham Robertson	4 Nov., 1878	Ditto	30 0 0	7 Feb., 1874.
1st Lieutenants (Old Artillery.)	William Henry Simpson	16 June, 1873	Ditto	30 0 0	18 Dec., 1871.
	Edward Masters ¹	5 April, 1870	Ditto	Nil.	19 Oct., 1868.
	Thomas Benedict Frith	1 Aug., 1871	Ditto		1 Feb., 1869.
	Frederick Nixon ²	7 Nov., 1871	Ditto		7 Nov., 1871.
	Richard Aldous Arnold ³	18 Mar., 1871	Ditto		3 Jan., 1867.
	John Cochrane Remington ⁴	1 Aug., 1871	Ditto		1 Aug., 1871.
	William Houston	26 April, 1872	Administrator of Government and Executive Council.		1 Mar., 1864.
	Henry Chapman ⁴	25 Nov., 1873	Governor and Executive Council		
2nd Lieutenant (Old Artillery—to 3 Nov.) ...	John Ebenezer Aggar	13 April, 1874	Ditto	Nil.	13 April, 1874.
2nd Lieutenant (New Artillery) ...		4 Nov., 1878	Ditto	25 0 0	
2nd Lieutenant (Old Artillery—to 3 Nov.) ...	Josiah Henry Walker	21 Jan., 1876	Ditto	Nil.	21 Jan., 1876.
2nd Lieutenant (New Artillery) ...		4 Nov., 1878	Ditto	25 0 0	
2nd Lieutenant (Old Artillery.)	James Sven Wigram	21 July, 1876	Ditto	Nil.	31 Jan., 1876.
2nd Lieutenant (New Artillery.)	Adam Mackinlay	4 Nov., 1878	Ditto	25 0 0	25 Nov., 1873.
3rd Lieutenant (Old Artillery.)	Adam Mackinlay ⁴	25 Nov., 1873	Ditto	Nil.	25 Nov., 1873.
Assistant Surgeon (to 20 January) ...	Patrick M'Donagh ⁵	9 June, 1873	Ditto	Nil.	9 June, 1873.
Surgeon ...		21 Jan., 1878	Ditto		
STAFF.					
Commandant	Colonel John Soame Richardson ⁶	1 Aug., 1871	Ditto	600 0 0	17 Feb., 1865.
Major of Brigade	Major William Beaver Blayney Christie ⁷	4 Aug., 1873	Ditto	400 0 0	4 Aug., 1873.
Brigade Pay and Quartermaster.	Major Thomas Baynes ⁸	1 Aug., 1871	Ditto	365 0 0	21 Aug., 1854.
Instructor of Musketry	Captain John Augustus Compton ⁹	14 Feb., 1871	Ditto	300 0 0	1 Aug., 1866.
Commanding Public Schools Cadet Corps.	Captain Henry William Strong ⁹	30 Sept., 1875	Ditto	250 0 0	27 Aug., 1866.
Adjutant, 2nd Regt., N.S.W. Vol. Infantry.	Captain James Wilson ¹⁰	28 Oct., 1878	Ditto	250 0 0	1 April, 1868.
Adjutant, 3rd Regt., N.S.W. Vol. Infantry.	Captain Charles George Norris ¹⁰	28 Oct., 1878	Ditto	250 0 0	28 Oct., 1878.
Adjutant, 1st Regt., N.S.W. Vol. Infantry.	Lieutenant James Hill ¹¹	28 Oct., 1878	Ditto	250 0 0	8 June, 1865.
Adjutant, N.S.W. Regt., Vol. Artillery.	Captain James Edward Doidge Taunton ¹⁰	4 Nov., 1878	Ditto	250 0 0	31 July, 1877.
Brigade Clerk	William Holmes ¹²	26 Oct., 1870	Commandant	0 9 6	18 Oct., 1860.
Assistant do.	William Smith ¹³	7 May, 1877		Ditto	0 7 0
Pay and Quartermaster's Clerk. ¹³	Gore Willock Loney	25 July, 1876	Ditto	0 8 0	11 Aug., 1875.
Assistant do. ¹³	John Taylor Finlay	11 Dec., 1878	Ditto	per diem 0 8 0	19 Jan., 1877.
	John Taylor Finlay succeeded by	7 May, 1877	Ditto		0 7 0
Brigade Sergeant-Major (1) ¹⁴	Gore Willock Loney	11 Dec., 1878	Ditto	0 7 0	11 Aug., 1875.
			Ditto		0 10 0
Brigade Quarter-master-Sergeant (1) ¹³			Ditto	0 9 6	"
Armourer (1) ¹⁵			Ditto	0 7 0 to 6 Nov. 0 8 0 from 7 Nov.	"

¹ To the 13th February—retired. ² To the 11th June—retired. ³ To the 3rd April—resigned. ⁴ Promoted. ⁵ To the 3rd November—transferred to Staff. ⁶ Lodging allowance, £175 per annum; with rations of provisions, fuel, and light, and forage for two horses. ⁷ Lodging allowance, £120 per annum; with rations of provisions, fuel, and light, and forage for a horse. ⁸ Resides in the Victoria Barracks; allowed rations of provisions, fuel, and light, and forage for a horse. ⁹ Lodging allowance, £90 per annum. ¹⁰ Lodging allowance, £90 per annum, and forage for a horse. ¹¹ Lodging allowance, £60 per annum, and forage for a horse. ¹² Allowed quarters, rations of provisions, fuel, and light. ¹³ Allowed 10s. a week for rent, also a ration of provisions, fuel, and light. ¹⁴ Allowed quarters to 27th October; afterwards 10s. per week in lieu. ¹⁵ Allowed quarters.

Office.	Name.	Date of Appointment.	By whom appointed, and under what Instrument.	Annual Salary. £ s. d.	Date of first Appointment under the Colonial Government.
COLONIAL SECRETARY—PERMANENT AND VOLUNTEER MILITARY FORCES—continued.					
<i>STAFF—continued.</i>					
Instructor of Musketry (1) ¹	Commandant	o 8 o to 6 Nov.	per diem.
	(1)	Ditto	o 8 6 from 7 Nov.
	(4)	Ditto	o 10 o to 6 Nov.	per diem each.
	(5)	Ditto	o 7 o to 6 Nov.
Drill Instructors (17) ²	(4) (1 to 27 October, and 3 to 30 November.)	Ditto	o 8 6 from 7 Nov.
	(1) (to 30 November)	Ditto	o 7 o to 6 Nov.
	(1) (from 29 March to 13 December.)	Ditto	o 8 o from 7 Nov.
	(2) (1 from 6 November, and 1 from 8 Dec.)	Ditto	o 7 o to 6 Nov.
	(1) (from 7 November)	Ditto	o 8 o from 7 Nov.
Drill Instructor, Cadet Artillery (1).	(From 1 December)	Ditto	o 8 6
		Ditto	o 2 6
Bugle Major and Messenger (1) ¹	Ditto	o 7 o to 6 Nov.
		Ditto	o 8 o from 7 Nov.
Markers, Rifle Range (2)	Ditto	o 5 o to 6 Nov.
		Ditto	o 6 o from 7 Nov.
Caretaker of Rifle Range (1) ¹	Ditto	o 7 o to 6 Nov.
		Ditto	o 8 o from 7 Nov.
Artillery Storeman (1) ¹	Ditto	o 5 o to 6 Nov.
		Ditto	o 6 o from 7 Nov.
Labourers, Victoria Barracks (2) ¹	o 5 o to 6 Nov.
		o 6 o from 7 Nov.
Bandmaster	Lieut. George Douglas Callen.	4 Sept., 1872	Governor and Executive Council	200 o o to 3 Nov.	4 Sept., 1872.
Principal Medical Officer...	Surgeon George Frederick Dansey ³ .	4 Nov., 1878	Ditto	30 o o from 4 Nov.	21 May, 1867.
Surgeon	Patrick McDonagh ³	4 Nov., 1878	Ditto	40 o o	9 June, 1873.
HONORARY STAFF.					
Principal Medical Officer ...	Surgeon George Frederick Dansey ⁴ .	17 July, 1875	Ditto	} Nil. {	21 May, 1867.
Chaplains	Rev. George Fairfowl Macarthur.	8 June, 1868	Ditto		8 June, 1868.
	Rev. Thomas Smith.....	4 July, 1868	Ditto		4 July, 1868.
	Rev. Joseph Barnier.....	27 Aug., 1869	Ditto		27 Aug., 1869.
	Rev. Thomas M'Carthy ...	15 Mar., 1870	Ditto		15 Mar., 1870.
	Rev. James Cameron, M.A.	15 June, 1874	Ditto	15 June, 1874.	
VOLUNTEER INFANTRY.					
Commanding 1st Regt., Vol. Rifles (to 3 Nov.)	Lieut.-Colonel Robert Peel Raymond ⁵	16 Dec., 1875	Ditto	100 o o	} 4 Dec., 1860.
Do. Vol. Infantry		4 Nov., 1878	Ditto	100 o o	
Commanding 2nd Regt., Vol. Rifles (to 3 Nov.)	Lieut.-Colonel John Hay Goodlet ⁵	16 Dec., 1875	Ditto	Nil.	} 4 Dec., 1860.
Do. Vol. Infantry		4 Nov., 1878	Ditto	100 o o	
Major, 2nd Regt., Vol. Rifles (to 3 Nov.)	Theodore James Jaques ³	4 July, 1868	Ditto	Nil.	} — Oct., 1839.
Do. Vol. Infantry		4 Nov., 1878	Ditto	50 o o	
Major, 1st Regt., Vol. Rifles (to 3 Nov.)	Thomas Richards ³	23 May, 1870	Ditto	Nil.	} 7 Feb., 1845.
Do. Vol. Infantry		4 Nov., 1878	Ditto	50 o o	
Major, 2nd Regt., Vol. Rifles (to 3 Nov.)	Henry Phillips (Major)	2 Feb., 1876	Ditto	Nil.	} 23 April, 1861.
Captain, 2nd Regt., Vol. Infantry		4 Nov., 1878	Ditto	40 o o	

¹ Allowed quarters.

² Allowed quarters, or 10s. per week in lieu.

³ Horse allowance, £25 a year.

⁴ To the 3rd November. (See above.)

⁵ Allowed forage for a horse.

NEW SOUTH WALES—1878.

41

Office.	Name.	Date of Appointment.	By whom appointed, and under what Instrument.	Annual Salary.	Date of first Appointment under the Colonial Government.
				£ s. d.	
COLONIAL SECRETARY—VOLUNTEER FORCES—continued.					
<i>VOLUNTEER INFANTRY—continued.</i>					
Major, 1st Regt., Vol. Rifles (to 3 Nov.)	John Wells (Major)	2 Feb., 1876	Governor and Executive Council	Nil.	1 Sept., 1837.
Captain, 1st Regt., Vol. Infantry		4 Nov., 1878	Ditto	40 0 0	
Commanding Northern Battalion (to 3 Nov.)	Major Charles Bolton ¹	7 July, 1870	Ditto	Nil.	1 June, 1837.
Do. Northern District		4 Nov., 1878	Ditto	50 0 0	
Commanding Western Battalion (to 3 Nov.)	Major William Hillier	13 May, 1874	Ditto	Nil.	12 Jan., 1870.
Commanding 3rd Regt., Vol. Infantry		4 Nov., 1878	Ditto	50 0 0	
Commanding Southern Battalion (to 3 Nov.)	John Black (Major)	23 Jan., 1872	Ditto	Nil.	5 April, 1869.
Commanding Kiama Vol. Infantry		4 Nov., 1878	Ditto	40 0 0	
Captain, Newcastle Vol. Rifles (to 3 Nov.)	Henry Joseph Brown	7 July, 1870	Ditto	Nil.	15 Mar., 1864.
Do. Vol. Infantry		4 Nov., 1878	Ditto	40 0 0	
Captain, Penrith Corps, Volunteer Rifles.	James Henry Thomas	9 Oct., 1875	Ditto	Nil.	6 April, 1872.
Captain, West Maitland Vol. Rifles (to 3 Nov.)		17 May, 1869	Ditto	Nil.	
Captain, Maitland Vol. Infantry	Alexander Wilkinson	4 Nov., 1878	Ditto	40 0 0	3 Feb., 1866.
Captain, Paddington and Surry Hills Vol. Rifles (to 3 Nov.)		17 Aug., 1876	Ditto	Nil.	
1st Lieutenant, 2nd Regt., Vol. Infantry	George Bond Gough	4 Nov., 1878	Ditto	30 0 0	17 May, 1871.
Captain, Ulladulla Vol. Rifles.		16 Nov., 1869	Ditto	Nil.	
Captain, 1st Regt., Vol. Rifles (to 3 Nov.)	William Johnston	22 Mar., 1875	Ditto	Nil.	20 Oct., 1868.
1st Lieutenant, 1st Regt., Vol. Infantry		4 Nov., 1878	Ditto	30 0 0	
Captain, King's School Cadet Corps.	George Fairfowl Macarthur	12 Mar., 1874	Ditto	Nil.	12 Mar., 1874.
Captain, 1st Regt., Vol. Rifles.	John Cooper	8 Mar., 1876	Ditto	Nil.	19 Oct., 1868.
Captain, 1st Regt., Vol. Rifles (to 3 Nov.)	William Thomas Farrell	20 Oct., 1868	Ditto	Nil.	23 April, 1861.
Do. Vol. Infantry		4 Nov., 1878	Ditto	40 0 0	
Captain, 1st Regt., Vol. Rifles.	John Joseph Davey	3 Sept., 1868	Ditto	Nil.	23 April, 1861.
Captain, 2nd Regt., Vol. Rifles (to 3 Nov.)		17 Aug., 1876	Ditto	Nil.	
Captain, 2nd Regt., Vol. Infantry	William Frederick Longfield.	4 Nov., 1878	Ditto	40 0 0	17 Oct., 1868.
Captain, 1st Regt., Vol. Rifles (to 3 Nov.)		4 Aug., 1873	Ditto	Nil.	
1st Lieutenant, 1st Regt., Vol. Infantry	John Humphrey Morris	4 Nov., 1878	Ditto	30 0 0	14 Feb., 1871.
Captain, 2nd Regt., Vol. Rifles (to 3 Nov.)		7 May, 1874	Ditto	Nil.	
Captain, 2nd Regt., Vol. Infantry	Henry John Chisholm	4 Nov., 1878	Ditto	40 0 0	4 Nov., 1859.
Captain, 2nd Regt., Vol. Rifles.		5 April, 1869	Ditto	Nil.	
Captain, Newington College Cadet Corps.	John Waterhouse	17 Mar., 1876	Ditto	Nil.	2 July, 1875.
Captain, Singleton Vol. Rifles.	George Thomas Loder	7 July, 1869	Ditto	Nil.	9 April, 1869.
Captain, 1st Regt., Vol. Rifles (to 3 Nov.)	Charles Abraham Wilson	7 July, 1870	Ditto	Nil.	23 April, 1861.
Captain, 1st Regt., Vol. Infantry		4 Nov., 1878	Ditto	40 0 0	
Captain, Goulburn Vol. Rifles (to 3 Nov.)	William John Joseph Dignam.	31 July, 1874	Ditto	Nil.	18 April, 1872.
Captain, 3rd Regt., Vol. Infantry		4 Nov., 1878	Ditto	40 0 0	
Captain, Sydney Grammar School Cadet Corps.	Albert Bythesea Weigall	28 Nov., 1871	Ditto	Nil.	28 Nov., 1871.
Captain, Parramatta Vol. Rifles (to 3 Nov.)	Henry James Byrnes	14 Feb., 1871	Ditto	Nil.	30 May, 1866.
Captain, 3rd Regt., Vol. Infantry		4 Nov., 1878	Ditto	40 0 0	
Captain, Wollongong Vol. Rifles.	Percy Owens	27 Sept., 1872	Ditto	Nil.	15 June, 1871.

¹ Allowed £25 per annum for a horse. ² To the 24th January—resigned.
³ To the 3rd November—appointed to the Volunteer Artillery.

Office.	Name.	Date of Appointment.	By whom appointed, and under what Instrument.	Annual Salary. £ s. d.	Date of first Appointment under the Colonial Government.
COLONIAL SECRETARY—VOLUNTEER FORCES—continued.					
<i>VOLUNTEER INFANTRY—continued.</i>					
Captain, St. Leonards Vol. Rifles (to 3 Nov.)	John William Guise	14 Feb., 1871	Governor and Executive Council	Nil.	16 Nov., 1866.
Captain, 2nd Regt., Vol. Infantry		4 Nov., 1878	Ditto	40 0 0	
Captain, Lyceum School Cadet, Corps.	Richard Stuart Cannon ¹	21 Sept., 1871	Ditto	Nil.	21 Sept., 1871.
Captain, 1st Regt., Vol. Rifles (to 3 Nov.)	William Wilkins	11 May, 1872	Ditto	Nil.	23 Jan., 1851.
1st Lieut., 1st Regt., Vol. Infantry		4 Nov., 1878	Ditto	30 0 0	
Captain, Sanchie House School Cadet Corps.	John Fraser	27 Sept., 1872	Ditto	Nil.	27 Sept., 1872.
Captain, Bathurst Company (to 3 Nov.)	Alfred Paul	3 Mar., 1873	Ditto	Nil.	19 Nov., 1869.
Captain, 3rd Regt., Vol. Infantry		4 Nov., 1878	Ditto	40 0 0	
Captain, South Sydney Vol. Rifles.	John Briggs Hillier ²	4 April, 1873	Ditto	Nil.	20 Dec., 1867.
Captain, Hawkesbury Vol. Rifles (to 3 Nov.)	William Farmer Linsley	7 June, 1876	Ditto	Nil.	30 Jan., 1869.
Captain, 3rd Regt., Vol. Infantry		4 Nov., 1878	Ditto	40 0 0	
Captain, 1st Regt., Vol. Rifles (to 3 Nov.)	John M'Garvie Smith	16 Sept., 1875	Ditto	Nil.	30 Jan., 1874.
1st Lieut., 1 Regt. Vol. Infantry		4 Nov., 1878	Ditto	30 0 0	
Captain, Orange Vol. Rifles	John Charles M'Lachlan	12 Sept., 1873	Ditto	Nil.	12 Sept., 1873.
Captain, Jamberoo Volunteer Rifles.	David Lindsay Dymock	31 Jan., 1874	Ditto	Nil.	19 Nov., 1869.
Captain, Old Engineer Corps (to 3 Nov.)	Thomas Rowe	20 July, 1874	Ditto	Nil.	28 Mar., 1872.
Captain, New Engineer Corps		4 Nov., 1878	Ditto	40 0 0	
Captain, Mudgee Corps, Volunteer Rifles.	George Davidson	31 July, 1874	Ditto	Nil.	31 July, 1874.
Captain, East Maitland Corps, Volunteer Rifles (to 3 Nov.)	Charles Falkner Bartlett	12 Mar., 1875	Ditto	Nil.	12 Mar., 1875.
1st Lieutenant, Maitland Volunteer Infantry		4 Nov., 1878	Ditto	30 0 0	
Captain and Adjutant, 1st Regt., Vol. Rifles (to 3 Nov.)	William Chatfield	3 Sept., 1868	Ditto	100 0 0	1 Mar., 1851.*
Captain, 1st Regt., Vol. Infantry		4 Nov., 1878	Ditto	40 0 0	
Quartermaster, Northern Battalion, Vol. Rifles.	Captain Edward Joseph Webb	8 Dec., 1874	Ditto	Nil.	28 Dec., 1863.
Adjutant, 2nd Regt., Vol. Rifles.	Captain James Wilson ³	5 April, 1875	Ditto	250 0 0	1 April, 1868.
Lieutenant, St. Leonards Vol. Rifles.	William Palmer Moore ⁴	14 April, 1871	Ditto	Nil.	14 April, 1871.
Lieutenant, 1st Regt., Vol. Rifles (to 3 Nov.)	Charles Edward Finch	8 Mar., 1876	Ditto	Nil.	1 July, 1860.
Supernumerary Lieutenant, 1st Regt., Vol. Infantry		4 Nov., 1878	Ditto	Nil.	
Lieutenant, 1st Regt., Vol. Rifles (to 3 Nov.)	John Warner M'Cutcheon	4 Aug., 1873	Ditto	Nil.	1 Oct., 1870.
2nd Lieutenant, 1st Regt., Vol. Infantry		4 Nov., 1878	Ditto	25 0 0	
Lieutenant, 2nd Regt., Vol. Rifles (to 3 Nov.)	George Bagot Stack	17 Aug., 1876	Ditto	Nil.	14 Jan., 1863.
2nd Lieutenant, 2nd Regt., Vol. Infantry		4 Nov., 1878	Ditto	25 0 0	
Lieutenant, 1st Regt., Vol. Rifles	Walter D'Arrietta	23 July, 1875	Ditto	Nil.	1 July, 1847.
2nd Lieutenant, 1st Regt., Vol. Infantry		4 Nov., 1878	Ditto	25 0 0	
Lieutenant, 2nd Regt., Vol. Rifles (to 3 Nov.)	William Burnet	9 June, 1873	Ditto	Nil.	17 April, 1867.
1st Lieutenant, 2nd Regt., Vol. Infantry		4 Nov., 1878	Ditto	30 0 0	
Lieutenant, 2nd Regt., Vol. Rifles (to 3 Nov.)	Donald Fraser	7 May, 1874	Ditto	Nil.	4 Dec., 1873.
1st Lieutenant, 2nd Regt., Vol. Infantry		4 Nov., 1878	Ditto	30 0 0	
Lieutenant, West Maitland Vol. Rifles (to 3 Nov.)	James Thomas Tegg	17 May, 1869	Ditto	Nil.	6 May, 1867.
2nd Lieutenant, Maitland Vol. Infantry		4 Nov., 1878	Ditto	25 0 0	

To the 27th July—Corps disbanded.

² To the 17th October—retired.³ Allowed forage for a horse—To the 27th October, appointed to Permanent Staff.⁴ To 25th March—resigned.

* Services not continuous.

NEW SOUTH WALES—1878.

43

Office.	Name.	Date of Appointment.	By whom appointed, and under what Instrument.	Annual Salary.	Date of first Appointment under the Colonial Government.
				£ s. d.	
COLONIAL SECRETARY—VOLUNTEER FORCES—continued.					
<i>VOLUNTEER INFANTRY—continued.</i>					
Lieutenant, 2nd Reg. Vol. Rifles (to 3 Nov.)	Wesley Powell Mulholland.	4 Dec., 1874	Governor and Executive Council	Nil.	7 May, 1874.
2nd Lieutenant, 2nd Regt., Vol. Infantry		4 Nov., 1874	Ditto	25 0 0	
Lieutenant, Singleton Vol. Rifles.	Henry Peter Stacey	9 July, 1869	Ditto	Nil.	9 April, 1869.
Lieutenant, Bathurst Vol. Rifles (to 3 Nov.)	Edwin Curtis	20 May, 1873	Ditto	Nil.	20 May, 1873.
1st Lieutenant, 3rd Regt., Vol. Infantry (Bathurst)		4 Nov., 1878	Ditto	30 0 0	
Lieutenant, Ulladulla Vol. Rifles.	William Millard	19 Nov., 1869	Ditto	Nil.	11 July, 1869.
Lieutenant, Newcastle Vol. Rifles (to 3 Nov.)	William Arnott	19 Aug., 1871	Ditto	Nil.	27 July, 1870.
1st Lieutenant, Newcastle Vol. Infantry		4 Nov., 1878	Ditto	30 0 0	
Lieutenant, Old Engineer Corps (to 3 Nov.)	Thomas Samuel Parrott	9 June, 1876	Ditto	Nil.	20 Aug., 1874.
Lieutenant, New Engineer Corps		4 Nov., 1878	Ditto	30 0 0	
Lieutenant, Kiama Vol. Rifles (to 3 Nov.)	Thomas Honey	10 Dec., 1874	Ditto	Nil.	6 April, 1872.
1st Lieutenant, Kiama Vol. Infantry		4 Nov., 1878	Ditto	30 0 0	
Lieutenant, 1st Regt., Vol. Rifles.	James Churchill Fisher	3 Oct., 1872	Ditto	Nil.	3 Oct., 1872.
Lieutenant, 2nd Regt., Vol. Rifles (to 3 Nov.)	Alexander Fraser	4 Dec., 1874	Ditto	Nil.	4 Dec., 1873.
1st Lieutenant, 2nd Regt., Vol. Infantry		4 Nov., 1878	Ditto	30 0 0	
Lieutenant, Sydney Grammar School Cadet Corps.	Henry Charles Lennox Anderson.	4 April, 1873	Ditto	Nil.	4 April, 1873.
Lieutenant, 1st Regt., Vol. Rifles.	Thomas Beilby Walcot	9 June, 1873	Ditto	Nil.	28 Nov., 1868.
Lieutenant, Orange Volunteer Rifles.	James Dalton	12 Sept., 1873	Ditto	Nil.	12 Sept., 1873.
Lieutenant, 1st Reg., Vol. Rifles (to 3 Nov.)	Francis Aug. Wright	18 May, 1874	Ditto	Nil.	20 Dec., 1873.
2nd Lieutenant, 1st Reg., Vol. Infantry		4 Nov., 1878	Ditto	25 0 0	
Lieutenant, Mudgee Volunteer Rifles.	William Frederick Woods.	31 July, 1874	Ditto	Nil.	31 July, 1874.
Lieutenant, Goulburn Vol. Rifles (to 3 Nov.)	Henry Blackshaw	12 Sept., 1874	Ditto	Nil.	12 Sept., 1874.
1st Lieutenant, Goulburn Vol. Infantry		4 Nov., 1878	Ditto	30 0 0	
Lieutenant, Richmond Vol. Rifles (to 3 Nov.)	Charles Septimus Guest	30 Oct., 1874	Ditto	Nil.	30 Oct., 1874.
1st Lieutenant, Windsor Vol. Infantry		4 Nov., 1878	Ditto	30 0 0	
Lieutenant, Wollongong Vol. Rifles.	Walter Graham Robertson ¹	10 Mar., 1875	Ditto	Nil.	7 Feb., 1874.
Lieutenant, 1st Reg., Vol. Rifles (to 3 Nov.)	James Cranna	16 Sept., 1875	Ditto	Nil.	5 Dec., 1871.
2nd Lieutenant, 1st Reg., Vol. Infantry		14 Nov., 1878	Ditto	25 0 0	
Lieutenant, Penrith Vol. Rifles.	William Lennox	16 Feb., 1876	Ditto	Nil.	30 Jan., 1875.
Lieutenant, 2nd Reg., Vol. Rifles (to 3 Nov.)	Henry Frederick Chilcott	17 Aug., 1876	Ditto	Nil.	10 April, 1876.
2nd Lieutenant, 2nd Reg., Vol. Infantry		4 Nov., 1878	Ditto	25 0 0	
Lieutenant, Jamberoo Vol. Rifles.	George Woods	5 Jan., 1877	Ditto	Nil.	14 Feb., 1871.
2nd Lieutenant, Old Engineer Corps (to 3 Nov.)	Charles Stewart Cansdell	23 May, 1877	Ditto	Nil.	4 Nov., 1874.
Supernumerary Lieut., New Engineer Corps		4 Nov., 1878	Ditto	Nil.	
Ensign, 2nd Reg. Vol. Rifles (to 3 Nov.)	John Nobbs	9 June, 1873	Ditto	Nil.	9 June, 1873.
2nd Lieutenant, 2nd Reg., Vol. Infantry		4 Nov., 1878	Ditto	25 0 0	
Ensign, West Maitland Vol. Rifles (to 3 Nov.)	William John Sloan	17 May, 1869	Ditto	Nil.	17 May, 1869.
Supernumerary Lieut., Maitland, N.S.W. Vol. Infantry		4 Nov., 1878	Ditto	Nil.	
Ensign, Kiama Vol. Rifles (to 3 Nov.)	Dixon King	15 Dec., 1874	Ditto	Nil.	15 Dec., 1874.
2nd Lieutenant Kiama Vol. Infantry		4 Nov., 1878	Ditto	25 0 0	

¹ To 3rd November—transferred to Artillery.

Office.	Name.	Date of Appointment.	By whom appointed, and under what Instrument.	Annual Salary. £ s. d.	Date of first Appointment under the Colonial Government.
COLONIAL SECRETARY—VOLUNTEER FORCES—continued.					
VOLUNTEER INFANTRY—continued.					
Ensign, Newcastle Vol. Rifles (to 3 Nov.)	Charles Frederick Stokes	18 Dec., 1873	Governor and Executive Council	Nil.	18 Dec., 1873.
2nd Lieutenant, Newcastle Vol. Infantry		4 Nov., 1878	Ditto	25 0 0	
Ensign, Jamberoo Vol. Rifles.	Alexander M'Gill	5 Jan., 1877	Ditto	Nil.	5 Jan., 1877.
Ensign, 1st Regt., Vol. Rifles (to 3 Nov.)	John Halford Maddocks	10 April, 1876	Ditto	Nil.	10 April, 1876.
Super. Lieutenant, 1st Regt., Vol. Infantry		4 Nov., 1878	Ditto	Nil.	
Ensign, 1st Regt., Vol. Rifles (to 3 Nov.)	Robert George	3 Oct., 1872	Ditto	Nil.	3 Oct., 1872.
Super. Lieutenant, 1st Regt., Vol. Infantry		4 Nov., 1878	Ditto	Nil.	
Ensign, Parramatta Vol. Rifles (to 3 Nov.)	Thomas James Barnett	18 May, 1874	Ditto	Nil.	16 May, 1868.
2nd Lieutenant, Parramatta Vol. Infantry		4 Nov., 1878	Ditto	25 0 0	
Ensign, Singleton Vol. Rifles	Albert John Gould	9 May, 1873	Ditto	Nil.	9 May, 1873.
Ensign, Orange Vol. Rifles	William Nathaniel Moulder	12 Sept., 1873	Ditto	Nil.	12 Sept., 1873.
Ensign, 2nd Regt., Vol. Rifles.	George Hamilton	4 Dec., 1874	Ditto	Nil.	4 Dec., 1874.
Ensign, 1st Regt., Vol. Rifles (to 3 Nov.)	Henry Waller	18 May, 1874	Ditto	Nil.	18 May, 1874.
Super. Lieutenant, 1st Regt., Vol. Infantry		4 Nov., 1878	Ditto	Nil.	
Ensign, Bathurst Vol. Rifles (to 3 Nov.)	James Cassidy	29 April, 1874	Ditto	Nil.	29 April, 1874.
2nd Lieut. Bathurst Vol. Infantry		4 Nov., 1878	Ditto	25 0 0	
Ensign, 2nd Regt., Vol. Rifles (to 3 Nov.)	Alexander Gilchrist	18 May, 1874	Ditto	Nil.	18 May, 1874.
Super. Lieutenant, 2nd Regt., Vol. Infantry		4 Nov., 1878	Ditto	Nil.	
Ensign, Penrith Vol. Rifles	Samuel Wade Rayner ¹	15 Sept., 1876	Ditto	Nil.	15 Sept., 1876.
Ensign, Ulladulla Vol. Rifles	James Cork	2 Feb., 1875	Ditto	Nil.	2 Feb., 1875.
Ensign, Goulburn Vol. Rifles (to 3rd Nov.)	Edward Gillespie	27 Feb., 1875	Ditto	Nil.	27 Feb., 1875.
2nd Lieut., Goulburn Vol. Infantry.		4 Nov., 1878	Ditto	25 0 0	
Ensign, 1st Regt., Vol. Rifles.	William Lovell Davis	3 Sept., 1875	Ditto	Nil.	3 Sept., 1875.
Quartermaster, 2nd Regt., Vol. Rifles.	Ensign Henry Earnshaw Tidswell.	16 April, 1875	Ditto	Nil.	16 April, 1875.
Ensign, 2nd Regt., Vol. Rifles.	Thomas Moore	7 Feb., 1877	Ditto	Nil.	7 Feb., 1877.
Surgeon, 1st Regt., Vol. Rifles.	George John Pattison	17 July, 1875	Ditto	Nil.	23 Jan., 1872.
Surgeon, 2nd Regt., Vol. Rifles.	Charles Kinnaird Mackellar.	30 Nov., 1872	Ditto	Nil.	30 Nov., 1872.
Assistant Surgeon, Western Battalion.	William Foxton Hayley ²	3 July, 1873	Ditto	Nil.	7 July, 1870.
Honorary Assistant Surgeon, No. 2 Highlanders.	James Smith	12 Jan., 1869	Ditto	Nil.	12 Jan., 1869.
Honorary Assistant Surgeon, Singleton Vol. Rifles.	Henry Glennie	13 July, 1869	Ditto	Nil.	7 Feb., 1867.
Honorary Assistant Surgeon, West Maitland Vol. Rifles.	Alexander Kinnear Morson	19 Aug., 1871	Ditto	Nil.	22 Jan., 1869.
Honorary Assistant Surgeon, Wollongong Vol. Rifles.	William Smith Thomas	6 Sept., 1872	Ditto	Nil.	6 Sept., 1872.
Honorary Assistant Surgeon, Mudgee Vol. Rifles.	Charles Edward Rowling	30 Sept., 1875	Ditto	Nil.	7 Jan., 1871.
TORPEDO AND SIGNALLING CORPS.					
Major Commanding	Edward Charles Cracknell	8 Oct., 1877	Ditto	200 0 0	1 Jan., 1858.
Captain	Philip Billingsley Walker	6 Feb., 1878	Ditto	100 0 0	18 Feb., 1858.
1st Lieutenant	Gustavus Adolphus Kopsch	6 Feb., 1878	Ditto	60 0 0	15 Mar., 1861.
1st Lieutenant	Cecil W. Darley	6 Feb., 1878	Ditto	60 0 0	1 Oct., 1867.
2nd Lieutenant	William Wilson	6 Feb., 1878	Ditto	40 0 0	1 Nov., 1858.
2nd Lieutenant	John Viles Dalgarno	6 Feb., 1878	Ditto	40 0 0	9 Jan., 1860.

¹ To 9th May—resigned.² To 7th September—deceased.

NEW SOUTH WALES—1878.

45

Office.	Name.	Date of Appointment.	By whom appointed, and under what Instrument.	Annual Salary.		Date of first Appointment under the Colonial Government.
				£	s. d.	
COLONIAL SECRETARY—continued.						
NAVAL BRIGADE.						
Captain Commanding	Francis Hixson, R.N. ¹	1 May, 1863	Governor and Executive Council	5/-	per diem	1 Jan., 1863.
Commanders	Edmund Jones	19 Feb., 1874	Ditto	4/-	"	1 April, 1850.
	David Tait Allan	19 Feb., 1874	Ditto	4/-	"	1 Sept., 1858.
Clerk and Accountant	Alfred Hinton	1 May, 1863	Ditto	3/6	"	14 May, 1855.
Lieutenants	Alfred Lewington	1 June, 1867	Ditto			9 June, 1865.
	Staunton Spain	1 Aug., 1870	Ditto			9 June, 1865.
	Quarton Levitt Deloitte	1 June, 1869	Ditto	4/10	per diem each.	9 June, 1865.
	George M. Deloitte	19 Feb., 1874	Ditto			30 Sept., 1863.
	Herbert Robert Cross	19 Feb., 1874	Ditto			13 Oct., 1863.
Sub-Lieutenants	Victor Cohen	22 July, 1871	Ditto			1 July, 1867.
	George C. Elliott	1 Aug., 1870	Ditto			1 Sept., 1866.
	Charles Cope	19 Feb., 1874	Ditto	2/10	per diem each.	22 May, 1866.
	F. J. Jackson	11 Oct., 1869	Ditto			11 Oct., 1869.
	Frank Gardner	1 Jan., 1876	Ditto			1 Jan., 1876.
Surgeon	Owen Spencer Evans	5 Oct., 1863	Ditto			21 Mar., 1861.
Assistant	Samuel T. Knaggs	8 Feb., 1872	Ditto			8 Feb., 1872.
Midshipmen	William R. Oatley	1 Jan., 1876	Captain Commanding			11 Oct., 1869.
	H. Gilfillan	1 Jan., 1876	Ditto			5 April, 1871.
	W. Bingle	1 Nov., 1877	Ditto	1/10	per diem each.	1 Aug., 1877.
	Alfred George Milson	1 Jan., 1876	Ditto			30 June, 1871.
	W. Broomfield	1 Jan., 1876	Ditto			27 Aug., 1872.
	John Church	1 Jan., 1878	Ditto			15 April, 1873.
Cadets	Ernest A. Moon	29 Nov., 1871	Ditto			29 Nov., 1871.
	Frederick P. Adams	29 Nov., 1871	Ditto			29 Nov., 1871.
	E. H. Ray	16 Oct., 1874	Ditto			1 Oct., 1873.
	Thomas O. Cadell	21 Nov., 1874	Ditto			21 Nov., 1874.
	Hamilton Jacob	26 July, 1875	Ditto			5 May, 1875.
	Francis W. Hixson	20 June, 1877	Ditto			20 June, 1877.
	H. S. Samuel	7 July, 1877	Ditto			7 July, 1877.
	Ernest Raymond	28 July, 1877	Ditto			28 July, 1877.
	Charles S. Lord	29 Aug., 1877	Ditto			29 Aug., 1877.
Gunnery Instructor, Sydney.	Joseph Reeve ¹	12 May, 1865	Governor and Executive Council	200	0 0	12 May, 1865.
Gunnery Instructor, Newcastle.	Joseph Dagwell	20 Oct., 1863	Ditto	52	0 0	20 Oct., 1863.
Warrant Officers (10)			Captain Commanding	18	0 0	each.
Petty Officers (10)			Ditto	15	0 0	"
A.B.'s (230)			Ditto	12	0 0	"
¹ Allowed quarters.						
AGENT GENERAL FOR THE COLONY OF NEW SOUTH WALES (RESIDENT IN LONDON).						
Agent General for the Colony of New South Wales (resident in London).	William Forster	7 Feb., 1876	Governor and Executive Council, by Commission.	1,500	0 0	27 Oct., 1859. Not continuous.
Secretary	Andrew Abercrombie Jopp, Captain, R.E.	1 Mar., 1874	Agent General, with approval of Chief Secretary.	400	0 0	1 Mar., 1874.
Accountant and Chief Clerk	William Robinson	23 Feb., 1863	Agent General	250	0 0	21 Mar., 1862.
Clerks	John Alfred Wade	1 July, 1872	Ditto	150	0 0	1 July, 1872.
	Henry Clive Croskey	17 July, 1873	Ditto	100	0 0	17 July, 1873.
	Arthur Welsford Lloyd	22 Jan., 1877	Ditto	30	0 0	22 Jan., 1877.
EMIGRATION BRANCH.						
Emigration Officer	Harry Howe Speed-Andrews, R.N. ¹ (retired). succeeded by	6 Sept., 1875	Ditto	350	0 0	6 Sept., 1875.
	Thomas Hughes Phillips	14 Dec., 1878	Ditto	300	0 0	6 Mar., 1878.
Clerks	Thomas Hughes Phillips ¹	6 Mar., 1878	Ditto	150	0 0	6 Mar., 1878.
	John Alexander	1 June, 1874	Ditto	200	0 0	
	Thomas Mason	23 Oct., 1876	Ditto	140	0 0	1 June, 1874.
	Selwyn Scholfield Sugden, R.N. ² (retired).	11 Dec., 1876	Ditto	90	0 0	23 Oct., 1876.
	Charles Edward Bayford ³	15 Jan., 1877	Ditto	90	0 0	15 Jan., 1877.
	Edward Russell Wait ³	7 May, 1877	Ditto	90	0 0	7 May, 1877.
	William Glasson	3 April, 1878	Ditto	60	0 0	3 April, 1878.
	Henry William Woolgar	12 Mar., 1877	Ditto	30	0 0	12 Mar., 1877.
¹ To 13th December. ² To 31st January. ³ £30 charged to Emigration Vote. ⁴ £20 charged to Emigration Vote. * Charged to Emigration Vote.						
INSPECTOR OF KEROSENE FOR THE COLONY.						
Inspector	Charles Watt	6 Sept., 1871	Governor and Executive Council			

Office.	Name.	Date of Appointment.	By whom appointed, and under what Instrument.	Annual Salary.	Date of first Appointment under the Colonial Government.
				£ s. d.	
COLONIAL SECRETARY—continued.					
PARIS UNIVERSAL EXHIBITION OF 1878.					
President	Sir James Martin, Knt. ¹ ...				
	Sir Alfred Stephen, C.B., K.C.M.G. ²				
	Sir Edward Deas-Thomson, C.B., K.C.M.G. ²				
Vice-Presidents	Sir William Macarthur, Knt. ²				
	Sir John Hay, K.C.M.G. ³				
	Sir George Wigram Allen, K.C.M.G. ⁴				
Commissioners	Joseph Docker ²				
	William Maddison Alder- son, J.P.				
	John Alger				
	Rev. Charles Badham, D.D. ⁵				
	William Busby ²	6 Nov., 1877	Governor and Executive Council		
	William Adams Brodribb, J.P., F.R.G.S., F.R.C.I.				
	John Jackson Calvert ⁶				
	Edward Combes ⁷				
	Henry Halloran ⁸				
	Thomas Holt ²				
	Patrick Alfred Jennings, J.P.				
	Edward Knox, J.P.....				
	William Macleay ²				
	Charles Moore ⁹				
	Augustus Morris				
	Joseph Paxton, J.P.....				
	Edward P. Ramsay ¹⁰				
	Saul Samuel, C.M.G. ²				
	William Wallis.....				
	James White ²				
	Robert Dudley Adams ..				
	Rev. William Branwhite Clarke, M.A.				
	Samuel Deane Gordon ² ...				
	Edward Smith Hill, J.P....				
	Archibald Liversidge ¹¹	3 Dec., 1877	Ditto.		
	John Lucas ⁷				
	Johr Mackenzie ¹²				
	Eliezer Levi Montefiore ...				
	James Norton				
	Prosper Nicholas Trebeck.				
	Charles Smith Wilkinson ¹³				
Representative Commis- sioners.	William Forster ¹⁴				
	Sir Daniel Cooper, Bart....				
	John Frazer ²				
	Samuel Hebblewhite				
	Donald Larnach	6 Nov., 1877	Ditto.		
	Jacob Levi Montefiore ...				
	Edward Levi Montefiore...				
	Louis Francois Sentis				
	Thomas Ware Smart ²				
	Cave Thomas				
	John Brown Watt ²				
	Peter Nicol Russell.....	3 Dec., 1877	Ditto.		
	George Russell.....				
	Roderick William Cameron (of New York).				
	Dr. R. W. Forbes (of New York.)	21 Dec., 1877	Ditto.		
Secretary	Archibald Liversidge	13 Nov., 1877	Commissioners.....	£ 550 0 0	27 April, 1875.
Storekeeper.....	Charles Robinson.....	30 Nov., 1877	Ditto	3 12 0	per week.
	J. F. Dircks				

¹ Chief Justice. ² Member of the Legislative Council. ³ President of the Legislative Council. ⁴ Speaker of the Legislative Assembly.
⁵ Professor of Classics and Logic in the University of Sydney. ⁶ Clerk of Parliaments. ⁷ Member of the Legislative Assembly. ⁸ Principal
Under Secretary to 20th January. ⁹ Director of the Botanic Gardens. ¹⁰ Curator of the Australian Museum. ¹¹ Professor of Geology and
Mineralogy in the University of Sydney. ¹² Examiner of Coal Fields. ¹³ Government Geological Surveyor. ¹⁴ Agent General for the Colony.

a Secretary to provide all clerical assistance required to conduct business of the Commission at his own cost.

NEW SOUTH WALES—1878.

Office.	Name.	Date of Appointment.	By whom appointed, and under what Instrument.	Annual Salary.	Date of first Appointment under the Colonial Government.
				£ s. d.	

COLONIAL SECRETARY—continued.

COMMISSIONERS FOR THE MANAGEMENT AND CARRYING OUT OF AN INTERNATIONAL EXHIBITION IN SYDNEY IN THE MONTH OF AUGUST, 1879.

President	His Excellency the Governor, or the Administrator of the Government				
Vice-Presidents	The Hon. Sir James Martin, Knt. ¹ The Hon. Sir Alfred Stephen, C.B., K.C.M.G. ² The Hon. Sir John Hay, K.C.M.G. ³ The Hon. Sir George Wigram Allen, Knt. ⁴				
Executive Commissioner	Patrick Alfred Jennings, J.P.				
Members	The Hon. George Henry Cox ² William Davies ⁵ The Hon. Sir Edward Deas-Thomson, C.B., K.C.M.G. ² Andrew Garran, LL.D. Edward Smith Hill Richard Lewis Jenkins, J.P. Samuel Aaron Joseph, J.P. Phillip Gidley King, J.P. The Hon. Sir William Macarthur, Knt. ² The Hon. William Macleay, J.P. ² James Merriman, J.P. ⁵ Henry Mort John Russell The Hon. Saul Samuel, C.M.G. ² The Hon. John Smith, M.D., LL.D., C.M.G. ² William Henry Suttor ⁵ The Hon. George Thornton ² Prosper Nicholas Trebeck, J.P. Edmund Webb, J.P. ⁵ John Young, J.P.	31 Dec., 1878	Governor and Executive Council.		

¹ Chief Justice.

² Member of the Legislative Council.

³ President of the Legislative Council.

⁵ Member of the Legislative Assembly.

⁴ Speaker of the Legislative Assembly.

ROYAL COMMISSION TO INQUIRE INTO AND REPORT UPON THE GENERAL MANAGEMENT AND DISCIPLINE OF THE GAOL AT BERRIMA.

		Date	By whom appointed, and under what Instrument.	Fees for each Sitting Day.	Amount received.
President	Sir Joseph George Long Innes, Knt.	2 July, 1878	Governor and Executive Council, by Commission	Nil.	Nil.
Members	Haynes Gibbes Alleyne, M.D.	2 July, 1878	Ditto	1 11 6	53 11 0
	James Oatley, J.P.	2 July, 1878	Ditto	3 3 0	120 15 0
	William Townley Pinhey	2 July, 1878	Ditto	3 3 0	120 15 0
	Houlton Harris Voss	2 July, 1878	Ditto	3 3 0	117 12 0
Secretary and Shorthand Writer.	John Barbour Laing	3 July, 1878	Colonial Secretary	3 3 0	(^a) 380 4 0

(^a) Includes payment at the rate of 1s. per folio for transcription of evidence. NOTE:—The Members of the Commission and the Secretary were allowed in addition 21s. each for every day they were absent from Sydney.

(The labours of the Commission were concluded on the 26th November.)

ERYSIPELAS HOSPITAL, PARRAMATTA.

Manager	Frederic King	1 Jan., 1876	Colonial Secretary	100 0 0	14 Mar., 1862.
Surgeon	Robert C. Rutter	1 Jan., 1876	Ditto	200 0 0	21 Feb., 1873.
Matron	Sarah Cunynghame ¹	10 Feb., 1876	Ditto	80 0 0	10 Feb., 1876.
Nurse	Sarah Drewe ¹	1 April, 1878	Ditto	32 0 0	1 April, 1878.

¹ Allowed Quarters.

PART V.

Minister of Justice and Public Instruction,

AND THE

DEPARTMENTS UNDER HIS SUPERVISION AND CONTROL.

SUMMARY.

	PAGE.
Department of Justice and Public Instruction	50
Supreme Court	50
Divorce and Matrimonial Causes Court	51
Sheriff ...	51
Insolvency Court	51
District Courts—	
Metropolitan and Hunter District	52
Southern District...	52
South-western District	53
Western District ...	53
Northern District	53
North-western and Eastern District	54
Coroners	54
Petty Sessions	56
Council of Education...	62
Protestant Orphan School	63
Roman Catholic Orphan School	63
Australian Museum	64
Free Public Library	64
Observatory	65

MINISTER OF JUSTICE AND PUBLIC INSTRUCTION.

Office.	Name.	Date of Appointment.	By whom appointed, and under what Instrument.	Annual Salary.			Date of first Appointment under the Colonial Government.
				£	s.	d.	
DEPARTMENT OF JUSTICE AND PUBLIC INSTRUCTION.							
Minister of Justice and Public Instruction.	Joseph Leary	18 Dec., 1877	Governor and Executive Council, by Commission.	1,500	0	0	18 Dec., 1877.
	succeeded by						
	Francis Bathurst Suttor...	21 Dec., 1878	Ditto	1,500	0	0	22 Mar., 1877.*
Under Secretary of Justice and Public Instruction.	William Edmond Plunkett J.P. ¹	9 Dec., 1873	Ditto	800	0	0	15 Nov., 1847.
Chief Clerk	Thomas Edwin MacNevin	1 Jan., 1875	Governor and Executive Council	375	0	0	11 Feb., 1868.
1st Clerk (in charge of records) ...	Henry John Chisholm	1 Jan., 1875	Ditto	300	0	0	4 Nov., 1859.
2nd Clerk	Thomas George M'Cauley ²	19 Oct., 1875	Ditto	250	0	0	8 Aug., 1870.
	succeeded by						
3rd Clerk ³	Charles Davis Rainsford...	11 July, 1878	Ditto	250	0	0	1 Nov., 1875.
4th Clerk	Charles Davis Rainsford...	1 Nov., 1875	Ditto	175	0	0	1 Nov., 1875.
	succeeded by						
	John Rainsford	11 July, 1878	Ditto	175	0	0	1 April, 1875.
5th Clerk	Leslie W. A. Macarthur ⁴	24 Oct., 1875	Ditto	165	0	0	15 April, 1874.
	succeeded by						
	John Rainsford	1 July, 1878	Ditto	165	0	0	1 April, 1875.
	succeeded by						
	Robert Neil M'Diarmid ...	11 July, 1878	Ditto	165	0	0	1 Nov., 1870.
6th Clerk	John Rainsford	24 Oct., 1875	Ditto	165	0	0	1 April, 1875.
	succeeded by						
	Robert Neil M'Diarmid ...	1 July, 1878	Ditto	165	0	0	1 Nov., 1870.
	succeeded by						
	Frederick Ernest Crook ...	11 July, 1878	Ditto	165	0	0	24 Oct., 1875.
7th Clerk	Robert Neil M'Diarmid ...	24 Oct., 1875	Ditto	150	0	0	1 Nov., 1870.
	succeeded by						
	Frederick Ernest Crook ...	1 July, 1878	Ditto	150	0	0	24 Oct., 1875.
	succeeded by						
	John B. O'Connor	1 Sept., 1878	Ditto	150	0	0	1 Nov., 1877.
8th Clerk	Frederick Ernest Crook ...	11 Sept., 1876	Ditto	100	0	0	24 Oct., 1875.
	succeeded by						
	Matthew Joseph Walsh ...	11 July, 1878	Ditto	100	0	0	11 July, 1878.
Junior Clerk	Jim M'Kensey ⁵	11 Sept., 1876	Ditto	100	0	0	7 Oct., 1875.
	succeeded by						
(On probation)...	John Henry Martin	1 June, 1878	Minister of Justice and Public Instruction.	100	0	0	1 June, 1878.
Messengers (2)			Ditto	120	0	0	
			{ 1 at	75	0	0	
			{ 1 at	75	0	0	
Housekeeper (1) ⁶			Ditto	75	0	0	
¹ Gives security to the amount of £500. ² To 10 July (deceased). ³ Duties temporarily performed at the office of the Inspector General of Police. ⁴ To 30 June—appointed C.P.S., Cassilis. ⁵ To 31 May—appointed to Water Police Office. ⁶ Allowed quarters, fuel, and light. *Services not continuous.							
SUPREME COURT.							
Chief Justice	Sir James Martin, Knight	19 Nov., 1873	Governor and Executive Council, by Commission.	2,600	0	0	26 Aug., 1856.*
Puisne Judges—							
1st	John Fletcher Hargrave...	22 June, 1865	Ditto	2,000	0	0	20 Jan., 1859.*
2nd	Peter Faucett	4 Oct., 1865	Ditto	2,000	0	0	16 Oct., 1863.*
3rd	Sir William Montagu Manning, Knt.	28 April, 1876	Ditto	2,000	0	0	1 Oct., 1837.*
Master in Equity	Arthur Todd Holroyd	11 May, 1866	Ditto	1,000	0	0	16 Sept., 1856.*
Prothonotary and Curator of Intestate Estates.	Thomas Michael Slattery ¹ ..	12 Jan., 1876	Ditto	700	0	0	23 Aug., 1864.*
Chief Clerk of the Supreme Court.	James Alexander Read ² ...	1 Feb., 1876	Governor and Executive Council	400	0	0	1 Mar., 1857.
2nd Clerk	Charles James Burns ²	1 Feb., 1876	Ditto	325	0	0	1 Jan., 1870.
3rd ditto	Edward Bayly ²	1 Feb., 1876	Ditto	250	0	0	22 April, 1869.
4th ditto	Thomas William Garrett ³	21 Feb., 1876	Ditto	140	0	0	1 Jan., 1874.
ditto (acting)	John B. O'Connor ⁴	1 Nov., 1877	Ditto	140	0	0	1 Nov., 1877.
	succeeded by						
	William C. Lonergan	1 Oct., 1878	Ditto	140	0	0	1 July, 1878.
5th ditto	Thomas Edward Murphy..	1 June, 1877	Ditto	75	0	0	1 June, 1877.
Clerk in charge of Ecclesiastical Papers.	Theodore Powell, M.A.	18 Oct., 1877	Ditto	300	0	0	18 Oct., 1877.
Custodian of Wills	Jonas Lander	1 Jan., 1866	Ditto	50	0	0	1 Jan., 1863.
Chief Clerk, Equity Office...	Peter Campbell Curtis	9 Dec., 1872	Ditto	400	0	0	1 Sept., 1857.
2nd Clerk, ditto	William Henry Hargraves	9 Dec., 1872	Ditto	250	0	0	1 Mar., 1865.
3rd ditto	Persse Rainsford	1 Oct., 1874	Ditto	160	0	0	1 Dec., 1872.
Associate to—							
Chief Justice	James Martin	27 Feb., 1877	Ditto	{ £200 to 31 Jan. £245 from 1 Feb. to 30 June. £260 from 1 July.			27 Feb., 1877.
Mr. Justice Hargrave ...	Gilbert Hargrave ⁵	1 Sept., 1875	Ditto	245	0	0	1 Sept., 1875.
	succeeded by						
	Griffith Evan Russell Jones ...	1 July, 1878	Ditto	200	0	0	1 July, 1878.
Mr. Justice Faucett ...	Joseph Francis Makinson	7 July, 1875	Ditto	{ £260 to 31 Jan. £275 from 1 Feb.			7 July, 1875.
Sir William Manning	George Ashwin Cheeke ⁶ ..	22 June, 1865	Ditto	275	0	0	22 June, 1865.
	succeeded by						
	William Hubert Manning, B.A.	1 Feb., 1878	Ditto	{ £200 to 30 June. £245 from 1 July			1 Feb., 1878.
Oriental Interpreter	A. M. Cameron	1 Sept., 1876	Ditto	150	0	0	1 Sept., 1876.
Messenger to—							
Prothonotary (1)			Prothonotary	114	0	0	
Master in Equity (1) ...			Master in Equity	104	0	0	
¹ Gives security to the amount of £2,200. ² Gives security to the amount of £250. ³ Absent on leave all the year without pay. ⁴ To 31st August—appointed Clerk in Department of Minister of Justice, &c. ⁵ To 30 June. ⁶ To 31 January—resigned. *Services not continuous.							
NOTE.—The sum of £1,650 is allowed annually for the travelling expenses of the Judges on Circuit.							

NEW SOUTH WALES—1878.

Office.	Name.	Date of Appointment.	By whom appointed, and under what Instrument.	Annual Salary.	Date of first Appointment under the Colonial Government.
				£ s. d.	

MINISTER OF JUSTICE AND PUBLIC INSTRUCTION—*continued.*

DIVORCE AND MATRIMONIAL CAUSES COURT.

Judge	John Fletcher Hargrave...	1 July, 1873	Governor and Executive Council, by Commission.	} Nil.	{ 20 Jan., 1859.*
Registrar.....	Thomas Michael Slattery...	12 Jan., 1876	Governor and Executive Council		
Deputy Registrar	James Alexander Read	12 Jan., 1876	Ditto		
Acting Clerk	Edward Bayly	1 Feb., 1876	Attorney General		

*Services not continuous.

SHERIFF.

Sheriff	Charles Cowper	12 Aug., 1874	Governor and Executive Council, by Commission, in pursuance of Act 7 Vic. No. 17.	650 0 0	1 Sept., 1861.*	
Under Sheriff.....	Joseph Giovanni Thurlow	17 Sept., 1875	Governor and Executive Council	450 0 0	11 Sept., 1862.	
Chief Clerk.....	John Robert Ennis	1 Jan., 1874	Ditto	300 0 0	25 May, 1855.	
Clerk and Accountant	George Frederick Turner...	1 Jan., 1874	Ditto	250 0 0	1 Jan., 1874.	
Record Clerk	Richard Nicholas Johnson	1 Jan., 1876	Ditto	200 0 0	1 Jan., 1868.	
Jury Clerk	Frederick Morten Edson...	3 June, 1870	Ditto	150 0 0	3 June, 1870.	
Bailiffs:—						
Sydney—						
Head Bailiff (1)			Ditto	250 0 0		
Assistant Bailiffs (5)				{ 1 at 200 0 0		
				{ 1 at 175 0 0		
				{ 3 at 150 0 0	each.	
Country Districts—						
Newcastle	} (2)					
Maitland				200 0 0	"	
Bathurst						
Goulburn						
Albury						
Armidale						
Tamworth						
Wagga Wagga						
Deniliquin						
Mudgee.....						
Yass	} (18)					
Dubbo				Ditto	150 0 0	"
Grafton						
Glen Innes						
Young						
Bega						
Port Macquarie						
Forbes						
Tenterfield						
Lismore.....						
Messenger, Sydney (1)			Sheriff	68 0 0		
Office Cleaner (1)			Ditto	52 0 0		
Tipstaff and Crier (1)			Chief Justice	132 0 0		
			{ (1) Mr. Justice Hargrave	120 0 0		
			{ (1) Sir William Montagu Manning.	120 0 0		
			{ (1) Mr. Justice Faucett	120 0 0		
			Chief Justice	114 0 0	"	
Tipstaves (3)						
Court-keepers, Supreme Court, King-street, and Darlinghurst (2)			Ditto	72 0 0		
Court-cleaner, Darlinghurst (1)			Ditto	20 0 0		
Watchman, Darlinghurst (1)			Sheriff	{ 2 at 52 52 0 0	"	
Court-cleaners, Supreme Court, King-street (3)				{ 1 at 26 26 0 0		
Court-keepers, Circuit Towns (12)			Ditto	{ From £15 to £50 each		

*Services not continuous.

NOTE—The Sheriff gives security for £1,000; the Under Sheriff for £750; and the Bailiffs, £500 each.

INSOLVENT COURT.

Chief Commissioner of Insolvent Estates.	George Hibbert Deffell ...	1 July, 1865	Governor and Executive Council, by Commission, under Act 20 Vic. No. 24.	1,000 0 0	25 Aug., 1856.
Registrar in Insolvency and Accountant.	Arthur Henry ¹	13 May, 1872	Administrator of Government and Executive Council.	400 0 0	1 Dec., 1869.*
Chief Clerk	Henry James Greville ²	6 June, 1877	Governor and Executive Council	300 0 0	8 Jan., 1853.*
2nd Clerk	Aubrey Murray Palmer Mowle ³	6 June, 1877	Ditto	225 0 0	21 May, 1864.

¹ Gives security to the amount of £750. Commissioner of the Supreme Court for taking Affidavits—Fees. Commissioner of the Supreme Court for taking Affidavits—Fees.

*Services not continuous.

³ Gives security to the amount of £100.

² Gives security to the amount of £250. Commissioner of the Supreme Court for

Office.	Name.	Date of Appointment.	By whom appointed, and under what instrument.	Annual Salary. £ s. d.	Date of first Appointment under the Colonial Government.
MINISTER OF JUSTICE AND PUBLIC INSTRUCTION—INSOLVENT COURT—continued.					
3rd Clerk	Henry Edward Maxted ¹ ...	1 July, 1877	Governor and Executive Council	175 0 0	30 Mar., 1874.
Bailiff and Messenger	Enoch William Booty ² ...	19 May, 1860	Ditto	180 0 0	19 May, 1860.
Court-keeper, Crier, and Attendant (1).	Chief Commissioner	114 0 0
Office-cleaner (1)	Ditto	26 0 0

¹ Gives security for £100.

² Gives security to the amount of £150.

DISTRICT COURTS.

METROPOLITAN AND HUNTER DISTRICT COURT.

Judges	James Sheen Dowling.....	1 Oct., 1861	Governor and Executive Council, by Commission.	1,000 0 0	1 Jan., 1851.
Registrar, Sydney	William Hattam Wilkinson	21 July, 1874	Ditto	1,000 0 0	22 Feb., 1860.
1st Clerk	Alexander Charles Maxwell	1 Feb., 1859	Governor and Executive Council	500 0 0	24 Feb., 1843.
2nd Clerk	John Alfred Lucas	1 Jan., 1875	Ditto	325 0 0	1 Mar., 1859.
3rd Clerk	William John Halloran ...	1 Jan., 1875	Ditto	275 0 0	9 Dec., 1865.
4th Clerk	Allan Rowling.....	1 Jan., 1875	Ditto	250 0 0	1 Nov., 1871.
.....	Alexander Horniman	1 July, 1875	Ditto	200 0 0	1 May, 1874.
Bailiffs (4)	District Court Judges.....	{ 1 at 200 0 0 3 at 104 0 0	each.
Messenger (1).....	Ditto	104 0 0
Officekeeper (1) ¹	Ditto	50 0 0
Registrars—
Maitland	Cornelius Delohery	26 Feb., 1876	Governor and Executive Council	100 0 0	23 July, 1860.
Newcastle	George F. Scott	6 May, 1872	Administrator of Government and Executive Council.	50 0 0	18 June, 1863.
Singleton	William Dudding	1 May, 1859	Governor and Executive Council	50 0 0	4 April, 1847.
Parramatta	George Langley, J.P. ²	6 Mar., 1860	Ditto	78 0 0	1 Aug., 1837.
.....	succeeded by
.....	George Wickham.....	1 Sept., 1878	Ditto	78 0 0	5 Mar., 1847.
Windsor	William H. Hughes Becke	1 April, 1874	Ditto	78 0 0	8 June, 1853.
Campbelltown	Henry Arkell Smith ³	15 April, 1872	Administrator of Government and Executive Council.	78 0 0	15 April, 1872.
.....	succeeded by
.....	Hubert Dillon	1 Oct., 1878	Governor and Executive Council	78 0 0	1 Jan., 1873.
Penrith	John Kingdon Cleeve, jun., J.P.	13 Jan., 1868	Ditto	78 0 0	3 July, 1865.
Muswellbrook.....	Timothy Foley.....	16 Dec., 1867	Ditto	30 0 0	1 Dec., 1867.
Scone	James Thompson Wilshire	15 April, 1872	Administrator of Government and Executive Council.	30 0 0	1 Sept., 1862.*
Bailiffs (9)	District Court Judges.....	{ 1 at 100 0 0 1 at 60 0 0 1 at 50 0 0 3 at 35 0 0 2 at 40 0 0 1 at 30 0 0	each. "

¹ Allowed quarters and fuel.

² To 21 August—deceased.

³ To 30 September—appointed Police Magistrate, Waratah.

* Services not continuous.

NOTE.—The following Officers give security:—The Registrar, Sydney, £500; 1st, 3rd, and 4th Clerks, each £150; the 2nd Clerk, the Registrars, Country Districts, and the Bailiffs, each £250.

SOUTHERN DISTRICT COURT.

Judge	Alfred M'Farland	7 Nov., 1868	Governor and Executive Council, by Commission.	1,000 0 0	30 May, 1861.
Registrars—
Goulburn	Francis Robert Louis Rossi	11 Aug., 1870	Governor and Executive Council	75 0 0	24 Mar., 1859.
Berrima.....	Frederick Robertson Wilshire.	11 Mar., 1872	Administrator of Government and Executive Council.	50 0 0	1 Mar., 1862.*
Wollongong	Alfred Allatson Turner, J.P.	26 Mar., 1859	Governor and Executive Council	60 0 0	23 May, 1848.
Kiama	Henry Connell, jun., J.P....	1 June, 1863	Ditto	60 0 0	21 Aug., 1844.
Nowra	William Lovegrove	15 Oct., 1861	Ditto	60 0 0	1 Jan., 1857.
Queanbeyan	Obadiah Willans	1 Dec., 1864	Ditto	50 0 0	14 Nov., 1864.
Cooma	George Henry Smithers ...	1 Sept., 1875	Ditto	60 0 0	22 Oct., 1868.
Bombala	James Giles	9 Jan., 1871	Ditto	50 0 0	3 June, 1862.
Bega	John Davis	1 Jan., 1870	Ditto	35 0 0	1 Dec., 1865.
Moruya	William Clarke	5 Sept., 1876	Ditto	30 0 0	5 Sept., 1876.
Eden	Richard Blaxland Hays	1 Nov., 1876	Ditto	30 0 0	1 Sept., 1875.
Braidwood	William Foxton Robertson	1 Sept., 1875	Ditto	65 0 0	29 May, 1869.
Yass	Leopold Yates, J.P.....	1 June, 1870	Ditto	60 0 0	10 July, 1862.
Milton	John Valentine Wareham ¹	1 Jan., 1874	Ditto	60 0 0	19 Mar., 1863.
.....	succeeded by
.....	Samuel Mantill Burrows...	1 Nov., 1878	Ditto	60 0 0	15 Nov., 1870.
Bailiffs (14)	District Court Judge	{ 1 at 80 0 0 1 at 60 0 0 1 at 45 0 0 2 at 40 0 0 1 at 35 0 0 6 at 30 0 0 2 at 20 0 0	each. "

¹ To 31 October—appointed to Department of Harbours and Rivers.

* Services not continuous.

NOTE.—The following Officers give security:—Registrars and Bailiffs, with two sureties each, jointly and severally, in the sum of £250.

NEW SOUTH WALES—1878.

Office.	Name.	Date of Appointment.	By whom appointed, and under what instrument.	Annual Salary. £ s. d.	Date of first Appointment under the Colonial Government.
MINISTER OF JUSTICE AND PUBLIC INSTRUCTION—continued.					
SOUTH-WESTERN DISTRICT COURT.					
Judge	David Grant Forbes	8 June, 1875	Governor and Executive Council, by Commission.	1,000 0 0	1 Jan., 1851.
Registrars—					
Albury	Edward Brown, J.P. ¹	1 Aug., 1873	Governor and Executive Council	75 0 0	26 Aug., 1857.
	George Frederick Barker	1 Aug., 1878	Ditto	75 0 0	5 Sept., 1876.
Gundagai	Charles Wye Weekes	19 Oct., 1875	Ditto	50 0 0	19 Oct., 1875.
Tumut	Frederick Wheeler Vyner	9 June, 1870	Ditto	30 0 0	1 Jan., 1865.
Burrowa	William John Ebenezer Wotton.	1 Sept., 1866	Ditto	30 0 0	17 Jan., 1862.
Wagga Wagga	Edwin H. Tompson	15 Feb., 1864	Ditto	50 0 0	29 Jan., 1864.
Deniliquin	John Archer Broughton ²	1 Feb., 1865	Ditto	50 0 0	23 Jan., 1865.
Wentworth	Wm. Lisle Richardson	8 Feb., 1871	Ditto	30 0 0	11 Nov., 1862.
Hay	Neil Charles O'Neill ³	21 Mar., 1877	Ditto	40 0 0	26 April, 1870.
	William A. Brodie	1 June, 1878	Ditto	40 0 0	1 May, 1874.
Young	James Richard Edwards	26 Aug., 1862	Ditto	50 0 0	14 Mar., 1862.
Corowa	Reginald Hare	25 Oct., 1870	Ditto	25 0 0	1 Mar., 1862.*
Grenfell	William Fox Parker ⁴	1 June, 1871	Ditto	30 0 0	26 April, 1862.
	George Gray Brodie	1 June, 1878	Ditto	30 0 0	19 Mar., 1858.
Balranald	Richard Blunt Mitchell	5 Jan., 1872	Ditto	20 0 0	1 Mar., 1858.
Moama	Lester Stuart Donaldson	1 Oct., 1878	Ditto	40 0 0	19 Sept., 1871.
Bailiffs (13)	District Court Judge	1 at 50 0 0 6 at 40 0 0 1 at 35 0 0 3 at 25 0 0 2 at 20 0 0	each. " " " "
¹ To 31 July—appointed Land Agent, Albury. ² To 25 December—deceased. ³ To 31 May—appointed Police Magistrate, Hillston. ⁴ To 31 May—appointed Police Magistrate, Merriwa.					
NOTE.—The Registrars and Bailiffs gives security to the amount of £250 each. * Services not continuous.					
WESTERN DISTRICT COURT.					
Judge	Joshua Frey Josephson	10 Sept., 1869	Governor and Executive Council, by Commission.	1,000 0 0	27 Oct., 1868.
Registrars—					
Bathurst	Thomas Charles Kerr M'Kell.	1 Oct., 1875	Governor and Executive Council	75 0 0	1 Oct., 1875.
Dubbo	Luke M'Guinn	1 Nov., 1861	Ditto	30 0 0	1 Nov., 1861.
Wellington	Frederick Marsh	14 May, 1862	Ditto	40 0 0	8 April, 1852.
Orange	William Tucker Evans	7 Feb., 1859	Ditto	30 0 0	20 April, 1851.
Forbes	Stephen Freeman	1 Sept., 1873	Ditto	30 0 0	22 Oct., 1862.*
Carcoar	William Badcock-Warner, J.P.	1 Nov., 1877	Ditto	25 0 0	
Hartley	Thomas Henry Neale	19 Aug., 1873	Ditto	30 0 0	16 Aug., 1873.
Mudgee	Francis Sheriff Isaacs	5 Sept., 1876	Ditto	60 0 0	1 Jan., 1868.
Hill End	William Clifton Weston ¹	1 Jan., 1877	Ditto	40 0 0	23 June, 1864.
	Alexander Boswell Armstrong ²	1 July, 1878	Ditto	40 0 0	1 Jan., 1867.
	Alfred B. Burne	14 Oct., 1878	Ditto	40 0 0	14 Oct., 1878.
Molong	John Hyde Nisbet	1 Sept., 1875	Ditto	40 0 0	1 Sept., 1875.
Bailiffs (10)	District Court Judge	1 at 50 0 0 2 at 45 0 0 3 at 40 0 0 1 at 35 0 0 2 at 30 0 0 1 at 25 0 0	each. " " " " each.
¹ To 30 June—appointed Clerk of Petty Sessions, Parkes. ² To 13 October—removed.					
NOTE.—The Registrars and Bailiffs gives security to the amount of £250 each. * Services not continuous.					
NORTHERN DISTRICT COURT.					
Judge	Frederick William Mymott.	14 Dec., 1865	Governor and Executive Council, by Commission.	1,000 0 0	28 Aug., 1856.
Registrars—					
Armidale	James Bray	1 Nov., 1875	Governor and Executive Council	75 0 0	1 Jan., 1866.
Narrabri	Charles Edward Smith	9 Jan., 1871	Ditto	40 0 0	25 Mar., 1851.
Tamworth	John M'Donald	1 Mar., 1859	Ditto	50 0 0	6 Feb., 1851.
Murrurundi	George Gray Brodie ¹	1 May, 1859	Ditto	30 0 0	19 Mar., 1858.
	George Rupert Evans	1 June, 1878	Ditto	30 0 0	1 June, 1878.
Tenterfield	John Walford Simons	1 Sept., 1875	Ditto	40 0 0	1 Sept., 1875.
Glen Innes	George Martin	1 Oct., 1871	Ditto	40 0 0	3 Mar., 1868.
Inverell	William Clare Cardew	21 July, 1875	Ditto	40 0 0	14 Aug., 1873.
Gunnedah	Thomas Kingsmill Abbott	1 April, 1874	Ditto	40 0 0	14 Dec., 1867.
Vegetable Creek	George Henry Gower	1 Oct., 1878	Ditto	40 0 0	17 Dec., 1874.
Bingera	Patrick Brougham	1 Oct., 1878	Ditto	40 0 0	5 Sept., 1876.
Warialda	F. C. Macarthur	1 Oct., 1878	Ditto	40 0 0	1 July, 1873.
Bailiffs (11)	District Court Judge	1 at 45 0 0 8 at 40 0 0 2 at 30 0 0	each. " "
¹ To 31 May—transferred to Grenfell.					
NOTE.—The Registrars and Bailiffs give security to the amount of £250 each.					

Office.	Name.	Date of Appointment.	By whom appointed, and under what Instrument.	Annual Salary.			Date of first Appointment under the Colonial Government.
				£	s.	d.	
MINISTER OF JUSTICE AND PUBLIC INSTRUCTION—continued.							
NORTH-WESTERN, AND EASTERN DISTRICT COURT.							
Judge	Charles Edward Robertson Murray.	2 Oct., 1878	Governor and Executive Council, by Commission.	1,000	0	0	1 Aug., 1864*
Registrars—							
Bourke	Louis Frederick Layard ...	1 Oct., 1874	Governor and Executive Council	30	0	0	1 Oct., 1868.
Casino	Malcolm M'Intyre Campbell.	1 April, 1875	Ditto	30	0	0	1 April, 1875.
Wingham	Jasper Albert Creagh	1 Feb., 1875	Ditto	30	0	0	1 Feb., 1875.
Port Macquarie	Robert Issell Perrott	1 Oct., 1873	Ditto	40	0	0	1 Aug., 1859.
Kempsey	John Bartholomew Casey..	15 Oct., 1861	Ditto	30	0	0	21 April, 1853.
Grafton	William Henry Thomas, J.P.	1 June, 1877	Ditto	50	0	0	12 April, 1864.
Coonabarabran	Frederick William Edwards	1 Oct., 1878	Ditto	40	0	0	28 Oct., 1863.
Coonamble	Robert Raymond Bailey...	1 Oct., 1878	Ditto	40	0	0	8 July, 1878.
Wilcannia	Rudolf Roxburgh Morisset	1 Oct., 1878	Ditto	40	0	0	1 Feb., 1875.
Walgett	Frederick Barnwell Hales	1 Oct., 1878	Ditto	40	0	0	1 April, 1861.
Bailiffs (10)	District Court Judge	1 at 60	0	0	
				1 at 45	0	0	each.
				5 at 40	0	0	
				3 at 30	0	0	
NOTE.—The following officers give security :—Registrars and Bailiffs, with two sureties each, jointly and severally, in the sum of £250.							
* Services not continuous.							
CORONERS.							
Sydney	Henry Shiell, J.P. ¹	11 July, 1866	Governor and Executive Council, by Commission.	450	0	0	22 Nov., 1853.
Clerk	William Chisholm ¹	11 Jan., 1876	Governor and Executive Council	175	0	0	11 Jan., 1876.
Country Districts—							
Adelong, Tumut, and Tumbarumba.	Frederick Wheeler Vyner, J.P.	21 Oct., 1868	Governor and Executive Council, by Commission.				1 Jan., 1865.
Albury	Marcus Freeman Brownrigg	28 Dec., 1865	Ditto				9 Aug., 1860.
Armidale	James M'Lean	12 Sept., 1874	Ditto				12 Sept., 1874.
Bathurst	Joseph Carey Stanger, J.P.	29 Sept., 1875	Ditto				29 Sept., 1875.
Balranald	Richard Blunt Mitchell ...	9 April, 1874	Ditto				1 Mar., 1858.
Bellinger and Nambucca...	Arthur Money Fisher, P.M.	6 Oct., 1875	Ditto				17 Sept., 1875.
Bega	John Shiels	27 June, 1871	Ditto				15 April, 1869.
Bourke	William Thomas Forster... succeeded by Cavendish Lister Nevile ...	11 May, 1877 15 Feb., 1878	Ditto				11 May, 1877. 15 Feb., 1878.
Bingera	Patrick Brougham, P.M....	8 Dec., 1876	Ditto				5 Sept., 1876.
Braidwood	John William Buckle Bunn	1 Jan., 1870	Ditto				8 Oct., 1862.
Brewarrina	Harris Cohen	20 Mar., 1875	Ditto				20 Mar., 1875.
Broulee and Moruya	William Stewart Caswell, P.M.	1 Sept., 1857	Ditto				7 June, 1847.
Brisbane Water	Edward Reeve, P.M.	20 Sept., 1875	Ditto				1 Sept., 1875.
Berrima	Charles Lindsay Nicholson	25 Oct., 1866	Ditto				25 Oct., 1866.
Binalong and Burrowa	William Douglas Campbell, J.P.	30 Nov., 1858	Ditto				30 Nov., 1858.
Bombala	Joseph Davies Stafford ...	19 June, 1872	Ditto				19 June, 1872.
Bullah Delah	Edward Liscombe Rowling	8 Mar., 1878	Ditto				1 Jan., 1878.
Carcoar	James Oliver Dodd	18 Feb., 1875	Ditto				5 Feb., 1874.
Camden, Campbelltown, Narellan, and Appin.	Edward Palmer, J.P.	8 June, 1864	Ditto				8 June, 1864.
Cooma	Henry Dawson	6 Nov., 1875	Ditto				6 Nov., 1875.
Coonamble	Joseph Francis Peers	9 Feb., 1877	Ditto				9 Feb., 1877.
	succeeded by						
	Robert R. Bailey, P.M.	13 Sept., 1878	Ditto				8 July, 1878.
Coonabarabran	Frederick Willm. Edwards	26 Feb., 1878	Ditto				28 Oct., 1863.
Corowa	Reginald Hare	30 Dec., 1878	Ditto				1 Mar., 1862.
Deniliquin	Alfred Wm. Finch Noyes..	1 Feb., 1867	Ditto				1 Feb., 1867.
Dowling	Percy Hale Sheaffe	11 Dec., 1878	Ditto				4 May, 1869.
Dubbo	Walter Hugh Tibbits, J.P.	3 Oct., 1859	Ditto				3 Oct., 1859.
Dungog	Charles Graham Smith ...	17 July, 1877	Ditto				1 May, 1861.
Forbes	John Fullerton Armstrong	27 April, 1871	Ditto				27 April, 1871.
Glen Innes	Alfred W. Rusden	3 Oct., 1876	Ditto				3 Oct., 1876.
	succeeded by						
	Edward Jones	5 Mar., 1878	Ditto				5 Mar., 1878.
Gongolgon	Arthur Grainger Langmore	20 Mar., 1875	Ditto				20 Mar., 1875.
Goulburn	Augustine Matthew Betts..	17 June, 1870	Ditto				17 June, 1870.
Gundagai	Charles Wye Weekes, C.P.S.	11 April, 1876	Ditto				19 Oct., 1875.
Gunning	John F. Gray	10 Aug., 1877	Ditto				10 Aug., 1877.
Gulgong	Thomas Alexander Browne, P.M.	26 May, 1872	Administrator of Government and Executive Council, by Commission.				7 April, 1871.

Each allowed 20s. for each Inquest, and travelling expenses 9d. per mile one way.

¹ Allowed 9d. a mile travelling expenses one way only.

Office.	Name.	Date of Appointment.	By whom appointed, and under what Instrument.	Annual Salary.			Date of first Appointment under the Colonial Government.
				£	s.	d.	
MINISTER OF JUSTICE AND PUBLIC INSTRUCTION—CORONERS—continued.							
Country Districts—contd.							
Grafton	Alfred Lardner, M.D.	3 Dec., 1860	Governor and Executive Council, by Commission.				3 Dec., 1860.
Grenfell	Robert Matheson Vaughan	10 June, 1873	Ditto				10 June, 1873.
Hartley	Thomas Henry Neale	12 Mar., 1874	Ditto				16 Aug., 1873.
Hay	Joseph Ede Pearce	26 Oct., 1872	Ditto				24 July, 1862.
Hill End	Ernest Augustine Lambie Sharpe.	16 June, 1876	Ditto				22 July, 1873.
Hillston	Neil Charles O'Neill	9 Aug., 1878	Ditto				26 April, 1870.
Inverell	William Wilberforce Fraser	15 Dec., 1875	Ditto				1 Sept., 1875.
Jerilderie	James D. Rankin	26 Mar., 1878	Ditto				26 Mar., 1878.
Kempsey	John Ducat	9 Mar., 1877	Ditto				9 Mar., 1877.
Kiama	Henry Connell, jun., P.M.	27 July, 1870	Ditto				21 Aug., 1844.
Laggan, Binda, Taralga, and Crookwell.	Thomas Marsden	14 Jan., 1873	Ditto				14 Jan., 1873.
Manning River	William Allan	20 Feb., 1871	Ditto				20 Feb., 1871.
Menindie	Rudolf Roxburgh Morisset succeeded by	25 Feb., 1875	Ditto				1 Feb., 1875.
Macleay River (Kempsey)	Watson Augustus Steel ..	30 July, 1878	Ditto				19 Nov., 1872.
	Wm. Henry Thornton, J.P.	1 Aug., 1868	Ditto				29 June, 1857.
Moama	George Maunsell, P.M.	6 Oct., 1875	Ditto				13 Mar., 1858.
Mudgee	Lester Stuart Donaldson ..	21 May, 1878	Ditto				19 Sept., 1871.
	William John Henningham	5 Feb., 1874	Ditto				5 Feb., 1874.
Murrurundi	William D. Meares, P.M.	30 Dec., 1878	Ditto				10 April, 1842.
	Henry Wheeler	6 Dec., 1858	Ditto				6 Dec., 1858.
Moruya	Thomas B. Boyce	5 April, 1878	Ditto				5 April, 1878.
	Henry M. Keightley	18 Oct., 1878	Ditto				10 July, 1854.
Merriwa	William Fox Parker	8 Nov., 1878	Ditto				26 April, 1862.
Narrandera	W. G. Elwin	8 Mar., 1878	Ditto				8 Mar., 1878.
Newcastle	James Francis Shaw	11 Aug., 1874	Ditto				11 Aug., 1874.
O'Connell Plains	Charles B. Ranclaud	5 Nov., 1878	Ditto				5 Nov., 1878.
	Henry M. Fulton, J.P.	12 Aug., 1875	Ditto				12 Aug., 1875.
Orange	George Towson, J.P.	31 May, 1871	Ditto				31 May, 1871.
Patrick's Plains	Hy. Glennie, J.P. (Surgeon)	7 Feb., 1867	Ditto				7 Feb., 1867.
Paterson and Maitland ..	Thomas Warwick Pearse ..	8 April, 1870	Ditto				8 April, 1870.
Parramatta and Liverpool.	John Ebenezer Bowden ..	23 May, 1872	Administrator of Government and Executive Council, by Commission.				23 May, 1872.
Parkes	William Edward Austin ..	22 June, 1874	Governor and Executive Council, by Commission.				22 June, 1874.
Picton	William Redfern Antill ..	11 Jan., 1876	Ditto				30 Mar., 1857.
Port Macquarie	Thomas Wellington Palmer, J.P.	2 April, 1868	Ditto				2 April, 1868.
Port Stephens (Stroud) ..	Thomas Nicholls, J.P.	14 Jan., 1861	Ditto				14 Jan., 1861.
Penrith	John King Lethbridge	11 Aug., 1874	Ditto				4 Sept., 1862.
Queanbeyan	Andrew Morton	1 Jan., 1848	Ditto				1 Jan., 1848.
Raymond Terrace	William Edward Shaw	16 April, 1860	Ditto				16 April, 1860.
Richmond River	Joseph Foreman	5 Oct., 1877	Ditto				5 Oct., 1877.
Rockley	Watson Augustus Steel ..	19 Nov., 1872	Ditto				19 Nov., 1872.
Rylstone	Thomas Arkell Smith	6 Aug., 1878	Ditto				1 Aug., 1871.
	William Weild Armstrong, J.P.	29 Aug., 1876	Ditto				1 July, 1854.
Shoalhaven	Thomas Morton Richards ..	26 Nov., 1858	Ditto				26 Nov., 1858.
Sofala	Philip Snape, P.M.	15 Feb., 1878	Ditto				1 June, 1871.
Tambaroora	Joseph Whitehead Lees ..	4 Sept., 1871	Ditto				26 Nov., 1858.
Tamworth	David Williamson Irving, P.M.	2 May, 1873	Ditto				24 June, 1861.
Tenterfield	George Edward Bundle ..	19 Oct., 1876	Ditto				19 Oct., 1876.
Trunkey and Tuena	Thomas Arkell Smith	11 Sept., 1871	Ditto				1 Aug., 1871.
Ulladulla (Dowling)	John Valentine Wareham ..	30 Oct., 1867	Ditto				19 Mar., 1863.
Urana	Alfred H. Twining	8 Mar., 1878	Ditto				8 Mar., 1878.
Wagga Wagga	Frederick Anslow Tompson	26 Oct., 1872	Ditto				26 Oct., 1872.
Wollongong	Edmund Frederick Smith, B.A.	21 Jan., 1864	Ditto				21 Jan., 1864.
Wollombi	John Snell Milne	7 Oct., 1875	Ditto				5 Nov., 1866.
Walcha	Robert Furnifull	5 July, 1875	Ditto				5 July, 1875.
Walgett	Michael John Walsh	26 April, 1878	Ditto				26 April, 1878.
	Frederick Barnwell Hales ..	6 Nov., 1875	Ditto				1 April, 1861.
Warialda	Francis Townsend Rusden, P.M.	7 Oct., 1875	Ditto				1 Sept., 1875.
Wee Waa	Charles Edward Smith	4 Sept., 1868	Ditto				25 Mar., 1851.
Wentworth	William Lisle Richardson ..	16 Feb., 1871	Ditto				11 Nov., 1862.
Wellington	Robert Rygate	27 Sept., 1872	Ditto				27 Oct., 1869.
Windsor	James Bligh Johnston, J.P.	31 July, 1871	Ditto				31 July, 1871.
Yass	Isidore Maurice Blake, J.P.	1 Jan., 1848	Ditto				1 Jan., 1848.
Young	Samuel Robinson	23 Feb., 1877	Ditto				15 April, 1872.

Each allowed 20s. for each Inquest, and travelling expenses 9d. per mile one way.

Office.	Name.	Date of Appointment.	By whom appointed, and under what instrument.	Annual Salary.	Date of first Appointment under the Colonial Government.
				£ s. d.	
MINISTER OF JUSTICE AND PUBLIC INSTRUCTION—continued.					
PETTY SESSIONS.					
POLICE MAGISTRATES, CLERKS OF PETTY SESSIONS, &c.					
SYDNEY.					
Central Police Office— Police Magistrate.....	David Charles Frederick Scott.	13 July, 1860	Governor and Executive Council, by Commission.	600 0 0	27 Feb., 1849.*
Assistant Police Magistrate and Clerk of Petty Sessions.	William Crane ¹	1 Sept., 1875	Governor and Executive Council	500 0 0	28 Nov., 1853.
Assistant Clerk of Petty Sessions.	William Conway Armstrong.	15 Oct., 1878	Ditto	350 0 0	1 Dec., 1845.*
2nd Clerk and Accountant	William Conway Armstrong.	1 Nov., 1866	Ditto	350 0 0	1 Dec., 1845.*
3rd Clerk	William Fraser	11 July, 1877	Ditto	250 0 0	4 April, 1862.*
4th Clerk	William Robert Stewart...	11 July, 1877	Ditto	200 0 0	1 Dec., 1866.
5th Clerk	Charles Alfred Hurst Redgrave.	11 July, 1877	Ditto	175 0 0	1 Sept., 1874.
6th Clerk	Frederick Potter Meares...	11 July, 1877	Ditto	125 0 0	1 July, 1875.
7th Clerk	John Frederick Gannon ²	11 July, 1877	Ditto	105 0 0	9 Oct., 1876.
	succeeded by				
	John Armstrong	17 Oct., 1878	Ditto	105 0 0	11 July, 1877.
	succeeded by				
	John Armstrong	11 July, 1877	Ditto	104 0 0	11 July, 1877.
8th Clerk	Edward William Fegan ...	17 Oct., 1878	Ditto	104 0 0	17 Oct., 1878.
Messenger (1) ³	Police Magistrate	115 0 0
Officekeeper (1) ³	Ditto	30 0 0
¹ Gives security to the amount of £250. Commissioner of the Supreme Court for taking affidavits.—Fees. ² Under suspension from the 12th September to 29th October—Dismissed. ³ Allowed quarters, fuel, and light. * Services not continuous.					
Water Police Office—					
Water Police Magistrate...	John Milbourne Marsh ¹ ...	12 Aug., 1874	Governor and Executive Council	600 0 0	7 Jan., 1859.
Clerk of Petty Sessions	Percy Charles Lucas ²	17 Sept., 1875	Ditto	500 0 0	23 Sept., 1861.
2nd Clerk	Francis Burnand Davidson ²	17 Sept., 1875	Ditto	350 0 0	15 Jan., 1855.*
3rd Clerk	Charles Newton Payten	17 Sept., 1875	Ditto	250 0 0	1 Nov., 1873.
4th Clerk	Francis South Fielder.....	17 Sept., 1875	Ditto	185 0 0	10 Nov., 1874.
5th Clerk	John Frederick Harmer...	9 Oct., 1875	Ditto	175 0 0	9 Oct., 1875.
6th Clerk	Jim M'Kensey	1 June, 1878	Ditto	150 0 0	7 Oct., 1875.
Court and Officekeeper (1) ³	Water Police Magistrate	50 0 0
Messenger (1)	Ditto	100 0 0
¹ Superintendent of Water Police. Commissioner of the Supreme Court for taking affidavits. ² Allowed quarters, fuel, and light. * Services not continuous. NOTE.—The Clerk of Petty Sessions gives security to the amount of £200.					
Albany—					
Police Magistrate.....	Marcus F. Brownrigg.....	9 Aug., 1860	Governor and Executive Council	450 0 0	9 Aug., 1860.
Clerk of Petty Sessions	Edward Brown, J.P. ¹	1 June, 1862	Ditto	175 0 0	26 Aug., 1857.
	succeeded by				
	George Frederick Barker	1 Aug., 1878	Ditto	175 0 0	5 Sept., 1876
Araluen—					
Police Magistrate and Clerk of Petty Sessions.	James Aldcorn.....	5 Sept., 1876	Ditto	375 0 0	14 June, 1867.
Armidale—					
Police Magistrate	James Buchanan	19 Oct., 1869	Ditto	500 0 0	6 Jan., 1852.
Clerk of Petty Sessions ...	James Bray ²	17 Sept., 1875	Ditto	175 0 0	1 Jan., 1866.
Bathurst—					
Police Magistrate	Benjamin Lee	12 Aug., 1874	Ditto	500 0 0	12 Aug., 1874.
Clerk of Petty Sessions ...	Cecil E. B. Maybury	1 Sept., 1875	Ditto	225 0 0	1 Sept., 1875.
Assistant Clerk of Petty Sessions.	C. K. McKell	11 Sept., 1876	Ditto	100 0 0	11 Sept., 1876.
Balranald—					
Police Magistrate and Clerk of Petty Sessions.	Richard B. Mitchell ³	10 Aug., 1871	Ditto	275 0 0	1 Mar., 1858.
Bellinger River—					
Police Magistrate and Clerk of Petty Sessions.	Arthur Money Fisher.....	17 Sept., 1875	Ditto	225 0 0	17 Sept., 1875.
Bullah Delah—					
Police Magistrate and Clerk of Petty Sessions.	E. L. Rowling	1 Jan., 1878	Ditto	225 0 0	1 Jan., 1878.
Bega—					
Clerk of Petty Sessions ...	John Davis	1 Dec., 1865	Ditto	175 0 0	1 Dec., 1865.
Bingera—					
Police Magistrate.....	Patrick Brougham	5 Sept., 1876	Ditto	350 0 0	5 Sept., 1876.
Braidwood—					
Clerk of Petty Sessions ...	William F. Robertson.....	1 Sept., 1875	Ditto	175 0 0	29 May, 1869.
Bombala—					
Clerk of Petty Sessions ...	James Giles	16 Dec., 1870	Ditto	175 0 0	3 June, 1862.
Bourke—					
Police Magistrate	Alexander Ogilvie Grant...	8 Aug., 1870	Ditto	500 0 0	27 Jan., 1846.
Clerk of Petty Sessions ...	Louis Frederick Layard ...	1 Oct., 1874	Ditto	175 0 0	1 Oct., 1868.
Berrima—					
Police Magistrate and Clerk of Petty Sessions.	Fredk. Robertson Wilshire	11 Mar., 1872	Administrator of the Government and Executive Council.	275 0 0	1 Mar., 1862.*
Assistant Clerk of Petty Sessions.	F. Galbraith.....	1 Nov., 1877	Governor and Executive Council	75 0 0	1 Nov., 1877.
¹ To 31 July, appointed Land Agent. ² Allowed £50 per annum for visiting Uralla. ³ Allowed £25 per annum in lieu of forage. * Services not continuous. NOTE.—The Police Magistrates receive 20s. with and 25s. without forage, per diem, as travelling allowance. The Clerks of Petty Sessions give security for the due performance of their duties.					

NEW SOUTH WALES—1878.

57

Office.	Name.	Date of Appointment.	By whom appointed, and under what Instrument.	Annual Salary.	Date of first Appointment under the Colonial Government.
				£ s. d.	
MINISTER OF JUSTICE AND PUBLIC INSTRUCTION—PETTY SESSIONS—continued.					
<i>POLICE MAGISTRATES, CLERKS OF PETTY SESSIONS, &c.—continued.</i>					
Branxton— Clerk of Petty Sessions ...	John Kenny	1 Jan., 1878	Governor and Executive Council	75 0 0	1 Jan., 1878.
Bundarra— Clerk of Petty Sessions ...	George Morton.....	1 July, 1878	Ditto	100 0 0	1 July, 1878.
Burrowa— Clerk of Petty Sessions ...	William J. E. Wotton ...	17 Jan., 1862	Ditto	175 0 0	17 Jan., 1862.
Bendemeer— Clerk of Petty Sessions ...	F. G. Perry	6 Aug., 1864	Ditto	50 0 0	6 Aug., 1864.
Coonabarabran— Police Magistrate and Clerk of Petty Sessions.	Frederick William Edwards	1 Jan., 1867	Ditto	275 0 0	28 Oct., 1863.
Cooma— Police Magistrate	Robert Dawson	10 Aug., 1857	Ditto	450 0 0	12 Jan., 1847.
Clerk of Petty Sessions ...	George Henry T. Smithers	1 Sept., 1875	Ditto	175 0 0	22 Oct., 1868.
Camden— Clerk of Petty Sessions ...	John B. Martin ¹	1 Sept., 1852	Ditto	175 0 0	1 Sept., 1852.
Campbelltown— Clerk of Petty Sessions ...	Henry Arkell Smith ²	15 April, 1872	Administrator of the Government and Executive Council.	175 0 0	15 April, 1872.
	Hubert Dillon	1 Oct., 1878	Governor and Executive Council	175 0 0	1 Jan., 1873.
Cassilis— Clerk of Petty Sessions ...	William A. Brodie ³	18 Sept., 1877	Ditto	175 0 0	1 May, 1874.
	Leslie W. A. Macarthur ...	1 June, 1878	Ditto	175 0 0	15 April, 1874.
Collector— Clerk of Petty Sessions ...	Thomas Waddell	1 June, 1876	Ditto	50 0 0	1 June, 1876.
Corowa— Police Magistrate and Clerk of Petty Sessions.	Reginald Hare.....	6 Nov., 1877 and 1 July, 1869	Ditto	300 0 0	1 Mar., 1862.
Coonamble— Police Magistrate and Clerk of Petty Sessions.	Richard Higginson Fitz- simons ⁴	1 Jan., 1877	Ditto	175 0 0	5 Jan., 1852.
	R. R. Bailey	8 July, 1878	Ditto	175 0 0	1 April, 1878.
Crookwell— Clerk of Petty Sessions ...	W. S. Gunn	5 Sept., 1876	Ditto	50 0 0	5 Sept., 1876.
Carcoar— Clerk of Petty Sessions (to 30th June.)	Edward J. C. North	10 May, 1865	Ditto	225 0 0	1 May, 1865.
Police Magistrate and Clerk of Petty Sessions.	Edward J. C. North	1 July, 1878	Ditto	450 0 0	1 May, 1865.
Cowra— Clerk of Petty Sessions ...	John Arkins	1 June, 1868	Ditto	175 0 0	1 June, 1868.
Cudgen (Tweed River)— Police Magistrate and Clerk of Petty Sessions.	Joshua Bray	1 Oct., 1875	Ditto	175 0 0	1 Oct., 1875.
Cootamundra— Clerk of Petty Sessions ...	C. H. B. Primrose	1 June, 1878	Ditto	175 0 0	22 Aug., 1872.
Deniliquin— Police Magistrate	James Mair	1 Feb., 1875	Ditto	450 0 0	3 Oct., 1862.
Clerk of Petty Sessions ...	John A. Broughton ⁵	1 Feb., 1865	Ditto	175 0 0	23 Jan., 1865.
Dubbo— Police Magistrate	John Oxley Norton	20 Feb., 1872	Ditto	400 0 0	1 Feb., 1863.
Clerk of Petty Sessions ...	Luke M'Guinn.....	1 Nov., 1861	Ditto	175 0 0	1 Nov., 1861.
Dungog— Police Magistrate and Clerk of Petty Sessions.	Charles G. Smith	1 Sept., 1875	Ditto	175 0 0	1 May, 1861.
Eden— Police Magistrate	George Plunkett Keon.....	26 July, 1864	Ditto	150 0 0	28 Dec., 1845.
Clerk of Petty Sessions ...	Richard B. Hays.....	1 Nov., 1876	Ditto	175 0 0	1 Nov., 1876.
Forbes— Police Magistrate	Frederick Dalton	10 Aug., 1870	Ditto	500 0 0	15 May, 1860.
Clerk of Petty Sessions ...	Stephen Freeman.....	1 Sept., 1873	Ditto	175 0 0	22 Oct., 1862.
Gosford— Police Magistrate	Edward Reeve	1 Sept., 1875	Ditto	300 0 0	1 Sept., 1875.
Clerk of Petty Sessions ...	Thomas C. Battley	8 Aug., 1843	Ditto	175 0 0	8 Aug., 1843.
Goulburn— Police Magistrate	John James Allman	1 Oct., 1862	Ditto	500 0 0	1 June, 1829.
Clerk of Petty Sessions ...	C. S. Alexander	1 Feb., 1862	Ditto	175 0 0	8 Feb., 1861.
Assistant Clerk of Petty Sessions.	D. E. Troughton	17 Sept., 1875	Ditto	100 0 0	17 Sept., 1875.
Grafton— Police Magistrate	A. L. M'Dougall	5 Sept., 1876	Ditto	450 0 0	5 Sept., 1876.
Clerk of Petty Sessions ...	William H. Thomas	1 April, 1874	Ditto	200 0 0	12 April, 1864.
Assistant Clerk of Petty Sessions.	William Carson ⁶	30 Oct., 1872	Police Magistrate	100 0 0	30 Oct., 1872.
	C. W. Thomas	1 June, 1878	Governor and Executive Council	100 0 0	1 June, 1878.

¹ Allowed £50 per annum for visiting Picton.⁵ To 30 September—appointed Police Magistrate, Waratah.³ To 31 May—appointed to Hay.⁴ To 7 July.⁶ To 25th December—deceased.⁶ To 31 May.

Office.	Name.	Date of Appointment.	By whom appointed, and under what Instrument.	Annual Salary.			Date of first Appointment under the Colonial Government.
				£	s.	d.	
MINISTER OF JUSTICE AND PUBLIC INSTRUCTION—PETTY SESSIONS—continued.							
POLICE MAGISTRATES, CLERKS OF PETTY SESSIONS, &c.—continued.							
Gulgong—							
Police Magistrate.....	Thomas Alexander Browne	7 April, 1871	Governor and Executive Council	500	0	0	7 April, 1871.
Clerk of Petty Sessions ...	Lester Stuart Donaldson ¹ succeeded by Cornelius Coghlan	19 Sept., 1871 1 May, 1878	Ditto	175	0	0	19 Sept., 1871. 1 April, 1878.
Gundagai—							
Police Magistrate.....	William Love	1 Sept., 1875	Ditto	450	0	0	1 Sept., 1875.
Clerk of Petty Sessions ...	Charles Wye Weekes	19 Oct., 1875	Ditto	175	0	0	19 Oct., 1875.
Glen Innes—							
Police Magistrate and Clerk of Petty Sessions.	George Martin	1 Sept., 1875	Ditto	300	0	0	3 Mar., 1868.
Grenfell—							
Clerk of Petty Sessions ...	William Fox Parker ²	1 June, 1869	Ditto	175	0	0	26 April, 1862.
	succeeded by George Gray Brodie	1 June, 1878	Ditto	175	0	0	19 Mar., 1858.
Gunnedah—							
Police Magistrate and Clerk of Petty Sessions	Thomas K. Abbott	1 Jan., 1878	Ditto	300	0	0	14 Dec., 1867.
Gunning—							
Clerk of Petty Sessions ...	John Frederic Kenyon ...	11 Sept., 1876	Ditto	100	0	0	11 Sept., 1876.
Hartley—							
Police Magistrate and Clerk of Petty Sessions.	Thomas H. Neale.....	16 Aug., 1873	Ditto	325	0	0	16 Aug., 1873.
Hay—							
Police Magistrate.....	Joseph E. Pearce ³	1 May, 1870	Ditto	450	0	0	24 July, 1862.
Clerk of Petty Sessions ...	Neil Charles O'Neill ⁴	21 Mar., 1877	Ditto	175	0	0	26 April, 1870.
	succeeded by William A. Brodie	1 June, 1878	Ditto	175	0	0	1 May, 1874.
Hill End—							
Police Magistrate.....	J. W. Flood	5 Sept., 1876	Ditto	450	0	0	5 Sept., 1876.
Clerk of Petty Sessions ...	William Clifton Weston ⁵ succeeded by A. B. Armstrong ⁶	1 Jan., 1877 1 July, 1878	Ditto	125	0	0	23 June, 1864. 1 Jan., 1867.
	succeeded by A. B. Burnie	14 Oct., 1878	Ditto	125	0	0	1 Oct., 1878.
Hillston—							
Police Magistrate and Clerk of Petty Sessions	Neil Charles O'Neill	1 June, 1878	Ditto	300	0	0	26 April, 1870.
Inverell—							
Police Magistrate.....	William Wilberforce Fraser	1 Sept., 1875	Ditto	350	0	0	1 Sept., 1875.
Clerk of Petty Sessions ...	William Clare Cardew ...	1 May, 1874	Ditto	175	0	0	14 Aug., 1873.
Kiama—							
Police Magistrate and Clerk of Petty Sessions.	Henry Connell, junr.	1 Aug., 1874	Ditto	175	0	0	21 Aug., 1844.
Kempsey—							
Clerk of Petty Sessions ...	John B. Casey	1 June, 1860	Ditto	175	0	0	21 April, 1853.
Lismore—							
Clerk of Petty Sessions ...	William Carson	1 June, 1878	Ditto	175	0	0	30 Oct., 1872.
Maitland—							
Police Magistrate.....	Glentworth W. F. Addison ⁷	14 June, 1875	Ditto	500	0	0	14 April, 1858.
Clerk of Petty Sessions ...	Cornelius Delohery ⁷	19 April, 1871	Ditto	225	0	0	23 July, 1860.
Assistant Clerk of Petty Sessions.	W. G. Smith	4 Nov., 1872	Ditto	50	0	0	4 Nov., 1872.
Messenger (1)				40	0	0	
Merriwa—							
Police Magistrate.....	William Fox Parker	1 June, 1878	Ditto	350	0	0	26 April, 1862.
Clerk of Petty Sessions ...	Alexander M'Rae.....	1 June, 1878	Ditto	175	0	0	1 June, 1878.
Moruya—							
Police Magistrate.....	William S. Caswell ⁸	1 Aug., 1857	Ditto	450	0	0	7 June, 1847.
	succeeded by Henry M. Keightley	1 Aug., 1878	Ditto	450	0	0	10 July, 1854.
Clerk of Petty Sessions ...	William Clarke	5 Sept., 1876	Ditto	175	0	0	16 Mar., 1874.
Mudgee—							
Police Magistrate.....	William Devenish Mcareas	1 Sept., 1875	Ditto	428	0	0	10 April, 1842.
Clerk of Petty Sessions ...	Francis Sheriff Isaacs	5 Sept., 1876	Ditto	175	0	0	1 Jan., 1868.
Moama—							
Police Magistrate and Clerk of Petty Sessions.	George Maunsell ⁹	1 Jan., 1867	Ditto	275	0	0	13 Mar., 1858.
	succeeded by Lester Stuart Donaldson...	18 Mar., 1878	Ditto	275	0	0	19 Sept., 1871.
Molong—							
Clerk of Petty Sessions ...	John Hyde Nisbet	1 Sept., 1875	Ditto	175	0	0	1 Sept., 1875.
Murrumburrah—							
Clerk of Petty Sessions ...	Charles Cutcliffe, B.A. ...	1 May, 1875	Ditto	175	0	0	1 May, 1875.
Murrurundi—							
Clerk of Petty Sessions ...	George G. Brodie ¹⁰	1 Dec., 1858	Ditto	175	0	0	19 Mar., 1858.
	succeeded by G. R. Evans	1 June, 1878	Ditto	175	0	0	1 April, 1878.

¹ To 17th March—Appointed Police Magistrate, &c., Moama. ² To 31st May. See below. ³ Allowed £75 per annum for rent. ⁴ To 31st May—Appointed Police Magistrate, &c., Hillston. ⁵ To 30th June—Appointed to Parkes. ⁶ To 13th October. ⁷ Allowed £50 per annum for forage. ⁸ To 31 July—appointed to Wellington. ⁹ To 17 March—appointed a Commissioner of Crown Lands. ¹⁰ To 31 May—appointed to Grenfell.

NEW SOUTH WALES—1878.

59

Office.	Name.	Date of Appointment.	By whom appointed, and under what Instrument.	Annual Salary.			Date of first Appointment under the Colonial Government.
				£	s.	d.	
MINISTER OF JUSTICE AND PUBLIC INSTRUCTION—PETTY SESSIONS—continued.							
POLICE MAGISTRATES, CLERKS OF PETTY SESSIONS, &c.—continued.							
Muswellbrook— Clerk of Petty Sessions ...	Timothy Foley	16 Dec., 1867	Governor and Executive Council	175	0	0	1 Dec., 1867.
Menindie— Police Magistrate and Clerk of Petty Sessions.	Watson A. Steele	1 July, 1878	Ditto	350	0	0	19 Nov., 1872.
Narrandera— Clerk of Petty Sessions ...	J. L. King	1 June, 1877	Ditto	175	0	0	16 Aug., 1870.
Narrabri— Police Magistrate and Clerk of Petty Sessions.	Charles E. Smith	1 Oct., 1866	Ditto	370	0	0	25 Mar., 1851.
Newcastle— Police Magistrate	Helenus Scott ¹	1 Sept., 1857	Ditto	500	0	0	1 May, 1853.
Clerk of Petty Sessions ...	Alexander Lumsdaine	5 Sept., 1876	Ditto	250	0	0	10 June, 1872.
Assistant Clerk of Petty Sessions.	G. F. Scott	18 June, 1863	Ditto	150	0	0	18 June, 1863.
Messenger (i)	40	0	0
Orange— Police Magistrate	John Tom Lane	1 Jan., 1867	Governor and Executive Council	450	0	0	1 Jan., 1867.
Clerk of Petty Sessions ...	William T. Evans	20 April, 1851	Governor	175	0	0	20 April, 1851.
Assistant Clerk of Petty Sessions.	H. H. Chippendall	1 Jan., 1878	Governor and Executive Council	75	0	0	1 Jan., 1878.
Parramatta— Clerk of Petty Sessions ...	George Langley, J.P. ²	6 Mar., 1860	Ditto	175	0	0	1 Aug., 1837.
Assistant Clerk of Petty Sessions.	George Wickham	1 Sept., 1878	Ditto	175	0	0	5 Mar., 1847.
.....	F. G. Adrain	19 Sept., 1877	Ditto	100	0	0	19 Sept., 1877.
Paterson— Clerk of Petty Sessions ...	Robert Studdert	12 June, 1840	Governor	175	0	0	12 June, 1840.
Patrick's Plains (Singleton) Police Magistrate	James N. Brooks	1 May, 1875	Governor and Executive Council	450	0	0	1 June, 1853.
Clerk of Petty Sessions ...	William Dudding	23 Sept., 1854	Ditto	175	0	0	4 April, 1847.
Penrith— Clerk of Petty Sessions ...	John Kingdon Cleve	13 Jan., 1868	Ditto	175	0	0	3 July, 1865.
Port Macquarie— Clerk of Petty Sessions ...	Robert Issell Perrott	29 Sept., 1873	Ditto	175	0	0	1 Aug., 1859.
Parkes— Clerk of Petty Sessions ...	Alexander Boswell Arm- strong ³	1 July, 1874	Ditto	175	0	0	1 Jan., 1867.
.....
.....	William Clifton Weston	1 July, 1878	Ditto	175	0	0	23 June, 1864.
Queanbeyan— Police Magistrate	Frederick Brown Russell	1 June, 1869	Ditto	450	0	0	3 Aug., 1864.
Clerk of Petty Sessions ...	Obadiah Willans	14 Nov., 1864	Ditto	175	0	0	14 Nov., 1864.
Raymond Terrace— Police Magistrate and Clerk of Petty Sessions.	C. R. Middleton	11 Oct., 1875	Ditto	275	0	0	11 Oct., 1875.
Ryde— Clerk of Petty Sessions ...	George M. Pope	18 June, 1863	Ditto	175	0	0	30 Mar., 1857.
Rylstone— Clerk of Petty Sessions ...	William W. Armstrong	1 July, 1854	Ditto	175	0	0	1 July, 1854.
Score— Police Magistrate	John Garrett	1 June, 1869	Ditto	450	0	0	4 Jan., 1860.
Clerk of Petty Sessions ...	James Thompson Wilshire	15 April, 1872	Administrator of the Government and Executive Council.	175	0	0	1 Sept., 1862.
Sofala— Police Magistrate and Clerk of Petty Sessions.	Philip Snape	1 Jan., 1878	Governor and Executive Council	350	0	0	1 June, 1871.
Shoalhaven— Clerk of Petty Sessions ...	William Lovegrove	1 Jan., 1857	Ditto	175	0	0	1 Jan., 1857.
Stroud— Clerk of Petty Sessions ...	Thomas Laman	13 April, 1859	Ditto	175	0	0	13 April, 1859.
Trunkey Creek and Tuena— Police Magistrate	Thomas Arkell Smith	1 Aug., 1871	Ditto	275	0	0	1 Aug., 1871.
Tenterfield— Police Magistrate	James Brisbane Graham	14 June, 1875	Ditto	450	0	0	1 Mar., 1859.
Clerk of Petty Sessions ...	John Simons	1 Sept., 1875	Ditto	175	0	0	1 Sept., 1875.
Tabulam—(Casino)— Police Magistrate	Henry S. Elliott	1 Sept., 1875	Ditto	450	0	0	1 Aug., 1857.
Clerk of Petty Sessions ...	Malcolm M'Intyre Campbell	1 April, 1875	Ditto	175	0	0	1 April, 1875.
Tamworth— Police Magistrate	D. Williamson Irving	1 Oct., 1863	Ditto	450	0	0	24 June, 1861.
Clerk of Petty Sessions ...	John M'Donald	1 Sept., 1858	Ditto	175	0	0	6 Feb., 1851.
Tumut— Police Magistrate and Clerk of Petty Sessions.	Frederick W. Vyner	1 July, 1871	Ditto	450	0	0	1 Jan., 1865.
Tumberumba— Clerk of Petty Sessions ...	Michael John Sheahan	5 Sept., 1876	Ditto	175	0	0	5 Sept., 1876.

¹ Absent on sick leave all the year, during which period Lieut.-Col. Maunsell performed the duties. ² To 21 August—deceased. ³ To 30 June—appointed to Hill End.

Office.	Name.	Date of Appointment.	By whom appointed, and under what Instrument.	Annual Salary. £ s. d.	Date of first Appointment under the Colonial Government.
MINISTER OF JUSTICE AND PUBLIC INSTRUCTION—PETTY SESSIONS—continued.					
<i>POLICE MAGISTRATES, CLERKS OF PETTY SESSIONS, &c.—continued.</i>					
Ulladulla— Clerk of Petty Sessions ...	John Valentine Wareham ¹ succeeded by Samuel Mantill Burrows	19 Mar., 1863 1 Nov., 1878	Governor and Executive Council Ditto	175 0 0 175 0 0	19 Mar., 1863. 15 Nov., 1870.
Urana— Clerk of Petty Sessions ...	Charles L. C. Badham.....	1 Jan., 1876	Ditto	100 0 0	19 Aug., 1870.
Vegetable Creek— Clerk of Petty Sessions ...	G. H. Gower	17 July, 1877	Ditto	75 0 0	17 Dec., 1874.
Walgett— Police Magistrate and Clerk of Petty Sessions.	Frederick Barnwell Hales	11 Oct., 1875	Ditto	350 0 0	1 April, 1861.
Wagga Wagga— Police Magistrate.....	Henry Baylis	28 July, 1862	Ditto	450 0 0	9 Aug., 1852.
Clerk of Petty Sessions ...	Edwin H. Tompson.....	29 Jan., 1864	Ditto	175 0 0	29 Jan., 1864.
Wentworth— Police Magistrate and Clerk of Petty Sessions.	William Lyle Richardson	8 Feb., 1871	Ditto	400 0 0	11 Nov., 1862.
Waratah— Police Magistrate.....	Alfred Atkinson Patrick Tighe. ² succeeded by Henry Arkell Smith	1 Aug., 1874 1 Oct., 1878	Ditto	325 0 0	29 Sept., 1868*
Clerk of Petty Sessions ...	Donald McKay	1 June, 1878	Ditto	100 0 0	15 April, 1872. 1 June, 1878.
Warialda— Police Magistrate.....	Francis Townsend Rusden	1 Sept., 1875	Ditto	400 0 0	1 Sept., 1875.
Clerk of Petty Sessions ...	Frederick Cameron Macarthur.	1 Jan., 1877	Ditto	175 0 0	1 July, 1873.
Wollombi— Police Magistrate and Clerk of Petty Sessions.	Henry Gordon	1 Sept., 1875	Ditto	300 0 0	1 May, 1859.
Wellington— Police Magistrate.....	Henry M. Keightley ³	1 June, 1869	Ditto	450 0 0	10 July, 1854.
Clerk of Petty Sessions ...	William Stuart Caswell	1 Aug., 1878	Ditto	450 0 0	7 June, 1847.
	Frederick Marsh	1 May, 1862	Ditto	175 0 0	8 April, 1852.
Walcha— Clerk of Petty Sessions ...	Milton S. Love.....	1 June, 1877	Ditto	175 0 0	1 May, 1868.
Windsor— Clerk of Petty Sessions ...	Wm. Henry Hughes Becke	1 April, 1874	Ditto	175 0 0	8 June, 1853.
Wilcannia— Police Magistrate and Clerk of Petty Sessions.	Rudolph Roxburgh Morisset.	1 Feb., 1875	Ditto	350 0 0	1 Feb., 1875.
Wingham— Clerk of Petty Sessions ...	Jasper Albert Creagh ⁴	1 April, 1875	Ditto	175 0 0	1 Feb., 1875.
Wollongong— Police Magistrate and Clerk of Petty Sessions.	Alfred A. Turner.....	1 Jan., 1853	Ditto	175 0 0	23 May, 1848.
Yass— Police Magistrate and Clerk of Petty Sessions.	Leopold Yates	1 June, 1870	Ditto	300 0 0	10 July, 1862.
Young— Police Magistrate.....	Samuel Robinson.....	1 Aug., 1876	Ditto	500 0 0	15 April, 1872.
Clerk of Petty Sessions ...	James Richard Edwards....	14 Mar., 1862	Ditto	175 0 0	14 Mar., 1862.
Acting Clerks of Petty Sessions Districts—					
Brewarrina	} (4)		Ditto	15 0 0	each.
Louth					
Lawrence					
Pooncaira					
Adelong	} (7)		Ditto	10 0 0	„
Ashford					
Bateman's Bay.....					
Binalong					
Blayney.....					
Baradine					
Broke					

¹ To 31st October, appointed Clerk Harbour and Rivers Department. ² To 30th September. ³ To 31st July—appointed to Moruya. ⁴ Allowed £30 per annum for forage. * Services not continuous.

NOTE.—The Police Magistrates receive 20s. with, and 25s. without, forage, per diem, as travelling allowances. All the Clerks of Petty Sessions give security for the due performance of their duties.

Office.	Name.	Date of Appointment.	By whom appointed, and under what Instrument.	Annual Salary.	Date of first Appointment under the Colonial Government.
				£ s. d.	
MINISTER OF JUSTICE AND PUBLIC INSTRUCTION—PETTY SESSIONS—<i>continued.</i>					
ACTING CLERKS OF PETTY SESSIONS.—<i>continued.</i>					
<i>DISTRICTS—continued.</i>					
Bungendore					
Buckley's Crossing					
Ballina					
Barraba					
Boggabri					
Booligal					
Broughton Creek					
Binda					
Clarence Town					
Camden Haven					
Coolah					
Canonbar					
Cessnock					
Canowindra					
Condobolin					
Cooranbong					
Denison					
Dandaloo					
Drake					
Euston					
Euabalong					
Forster					
Greta					
Gladstone					
Goodooga					
Gongolgan					
Gundaroo					
Howlong					
Hargraves					
Jerilderie					
Jerry's Plains					
Liverpool					
Lithgow					
Moulamein					
Michelago					
Macleay					
Mosgiel	(74)		Governor and Executive Council	10 0 0	each.
Morangarell					
Mathoura					
Manilla					
Mogil Mogil					
Moree					
Mulwalla					
Nambuccra					
Nerrigundah					
Nundle					
Nimitybelle					
Nelligen					
Oberon					
Obley					
Pilliga					
Panbula					
Quirindi					
Rockley					
Rydal					
Stoney Creek					
St. Albans					
Seymour					
Trunkey Creek					
Tuena					
Tamba Springs					
Tingha					
Ten-mile Creek					
Tocumwall					
Toogong					
Vegetable Creek					
Wallerawang					
Wilson's Downfall					
Warren					
Wollar					
Woodburn					
Wee Waa					
Wallabadah					
Yetman					
Bingera			Ditto	7 10 0	

Office.	Name.	Date of Appointment.	By whom appointed, and under what Instrument.	Annual Salary.			Date of first Appointment under the Colonial Government.
				£	s.	d.	
MINISTER OF JUSTICE AND PUBLIC INSTRUCTION—continued.							
COUNCIL OF EDUCATION.							
Members (President)	John Smith, M.D., LL.D., C.M.G., M.L.C. ¹	Re-appointed, 1 Jan., 1875 Re-elected, 3 Jan., 1877 (as President.)	Governor and Executive Council Members of the Council of Education (as President).	} Nil.			
	Sir Alfred Stephen, C.B., K.C.M.G., M.L.C.	Re-appointed, 1 Jan., 1875	Governor and Executive Council				
	William Augustine Duncan	Re-appointed, 1 Jan., 1875	Ditto				
	Sir George Wigram Allen, K.C.M.G., M.L.A.	Re-appointed, 1 Jan., 1877	Ditto				
	Sir John Robertson, K.C.M.G., M.L.A.	1 Jan., 1877	Ditto				
Secretary.....	William Wilkins	1 Jan., 1867	Council of Education				
Chief Clerk.....	George Miller	18 Jan., 1875	Ditto	525	0	0	1 Feb., 1860.
First Clerk, in charge of matters relating to Train- ing and Appointments of Teachers.	David John Cooper	18 Jan., 1875	Ditto	450	0	0	22 Feb., 1869.
Clerk in charge of new Schools, Buildings, Re- pairs, &c.	George Kingsbury Sircom.	23 April, 1878	Ditto	350	0	0	20 April, 1878.
Minute Clerk	Thomas William Morgan Richards.	1 Feb., 1867	Ditto	275	0	0	20 Mar., 1865.
Clerk in charge of Miscel- laneous Branch.	John Booth	16 Aug., 1867	Ditto	275	0	0	16 Aug., 1867.
Clerk in charge of Records..	Edward Lytton Hitchins...	1 Aug., 1873	Ditto	275	0	0	1 Aug., 1873.
Despatch Clerk	Frederick O'Dell Monckton	17 Oct., 1872	Ditto	275	0	0	1 Dec., 1867.
Clerks	Hugh Alexander Scott	9 Mar., 1874	Ditto	275	0	0	9 Mar., 1874.
	John Turner Caldwell	1 July, 1875	Ditto	200	0	0	29 May, 1868.*
(In charge of Sites)	Charles Chatfield	1 Jan., 1872	Ditto	190	0	0	1 Jan., 1872.
	Thomas George West	1 Sept., 1871	Ditto	170	0	0	1 Sept., 1871.
	William Lake M'Cann	1 Sept., 1871	Ditto	170	0	0	1 Sept., 1871.
	George Kilminster	1 Sept., 1871	Ditto	170	0	0	1 Sept., 1871.
	William Duffield Cansdell.	1 July, 1872	Ditto	160	0	0	1 July, 1872.
Junior Clerks	Alfred Kimber Wilkins	1 April, 1875	Ditto	140	0	0	1 July, 1873.
	Joseph Hamilton Strong...	1 July, 1874	Ditto	115	0	0	1 July, 1874.
	Arthur Bright Jones	1 June, 1878	Ditto	115	0	0	1 June, 1878.
	John Henry Marshall Drake ¹	27 April, 1875	Ditto	80	0	0	27 April, 1875.
	Charles Alfred Hall ²	13 Dec., 1875	Ditto	60	0	0	13 Dec., 1875.
	Charles John Alderdice	10 Dec., 1875	Ditto	60	0	0	10 Dec., 1875.
				to 18 Aug. 80 0 0 from 19 Aug.			
	David Hislop Murray ³	3 Dec., 1875	Ditto	60	0	0	3 Dec., 1875.
	Frederick Albert Coghlan.	11 Nov., 1875	Ditto	60	0	0	11 Nov., 1875.
Cadets	William Henry Rogers	1 May, 1877	Ditto	36	0	0	1 May, 1877.
	Henry William Edmunds	28 May, 1877	Ditto	24	0	0	28 May, 1877.
				to 30 April. 36 0 0 from 1 May.			
	Walter Edmund Bethel	15 Aug., 1878	Ditto	24	0	0	15 Aug., 1878.
	George Alfred Blumer	1 June, 1878	Ditto	24	0	0	1 June, 1878.
	Robert Selkirk	21 Oct., 1878	Ditto	24	0	0	21 Oct., 1878.
	Montagu Dallas Mercer	21 Oct., 1878	Ditto	24	0	0	21 Oct., 1878.
Accountant	John Manifold Gibson ⁴	1 Feb., 1870	Ditto	450	0	0	1 Feb., 1870.
Clerks	Robert Munro	1 Jan., 1869	Ditto	275	0	0	1 Jan., 1869.
	Frederick Grönvald	19 April, 1869	Ditto	250	0	0	19 April, 1869.
Junior Clerk	Frederic William Allpass..	1 Aug., 1875	Ditto	80	0	0	1 Aug., 1875.
Cadet	Michael Joseph M'Guanne	7 Dec., 1875	Ditto	60	0	0	7 Dec., 1875.
Cashier	Andrew Fairfax ⁵	1 June, 1868	Ditto	450	0	0	16 July, 1861.
Cadet	Thomas Kinninmont	21 May, 1877	Ditto	36	0	0	21 May, 1877.
Architect	George Allen Mansfield ⁶ ...	1 Feb., 1867	Ditto	350	0	0	1 Feb., 1867.
Examiner	John Gardiner.....	1 Sept., 1867	Ditto	650	0	0	31 Dec., 1851.
„ Assistant	Alexander Leith Forbes	1 Oct., 1872	Ditto	600	0	0	1 Nov., 1853.

¹ To 31 July—resigned.² To 30 September—resigned.³ To 17 May—resigned.⁴ Gives security to the amount of £500.⁵ Gives security to the amount of £1,000.⁶ Allowed office rent £30 per annum; for clerks £550 per annum, commission and travelling expenses.

* Services not continuous.

Office.	Name.	Date of Appointment.	By whom appointed, and under what Instrument.	Annual Salary. £ s. d.	Date of first Appointment under the Colonial Government.
MINISTER OF JUSTICE AND PUBLIC INSTRUCTION—COUNCIL OF EDUCATION—continued.					
<i>Inspectoral Staff.</i>					
Districts—					
Albury	Gerald O'Byrne ¹	1 Jan., 1872	Council of Education	500 0 0	1 Feb., 1859.
Armidale	William Dwyer ²	1 April, 1871	Ditto	525 0 0	29 Oct., 1855.
Bathurst	James Webber Allpass ²	1 Sept., 1876	Ditto	550 0 0	20 June, 1855.
Braidwood	David Seth Hicks ³	1 Oct., 1872	Ditto	525 0 0	1 April, 1860.
Camden	John Saunders Jones ⁴	1 April, 1868	Ditto	550 0 0	12 Jan., 1857.
Cumberland	Edwin Johnson ⁴	1 Jan., 1867	Ditto	600 0 0	23 Jan., 1855.
Goulburn	*William M'Intyre ³	1 April, 1868	Ditto	525 0 0	15 Dec., 1855.
Grafton	John Huffer ⁵	Re-appointed 13 Mar., 1877	Ditto	500 0 0	1 Jan., 1858.
Maitland	John Dallison Bradley ⁵	1 April, 1871	Ditto	550 0 0	1 Jan., 1853.
Mudgee	Timothy Dwyer ⁶	1 April, 1875	Ditto	450 0 0	1 July, 1863.
Newcastle	John Charles Maynard ⁵	1 Jan., 1872	Ditto	525 0 0	1 Aug., 1868.
Sydney ⁷	John M'Creddie	1 Jan., 1867	Ditto	600 0 0	1 Jan., 1859.
	Frederick Bridges ⁸	1 June, 1876	Ditto	475 0 0	1 July, 1852.
	Charles Hookins	1 June, 1876	Ditto	450 0 0	1 Dec., 1854.
Yass	John Henry Murray ²	1 April, 1875	Ditto	475 0 0	6 Aug., 1855.
Supernumerary Inspector	Walter Freewin Thompson	5 April, 1878	Ditto	450 0 0	5 April, 1878.
<i>Training Department.</i>					
Training Master	John Wright ⁹	1 April, 1870	Ditto	475 0 0	1 Mar., 1856.
„ Assistant	John William Kevin	1 April, 1875	Ditto	325 0 0	4 April, 1862.
Messenger (3)			Ditto	1 at 140 0 0 1 at 130 0 0 1 at 65 0 0	
Officekeepers (2) ¹⁰			Ditto	1 at 72 0 0 1 at 74 0 0	

¹ Allowed 25s. per diem, 27s. 6d. on table-land, for travelling expenses, £20 per annum forage allowance, and £10 per annum for office rent. ² Allowed 25s. per diem travelling expenses, £20 per annum forage allowance, and £10 per annum for office rent. ³ Allowed 22s. 6d. per diem, 25s. on table-land, travelling expenses, £20 per annum forage allowance, and £10 per annum for office rent. ⁴ Allowed 22s. 6d. per diem travelling expenses, and £20 per annum forage allowance; office provided. ⁵ Allowed 22s. 6d. per diem travelling expenses, £20 per annum forage allowance, and £10 per annum for office rent. ⁶ Allowed 25s. per diem on table-land, and 27s. 6d. other parts, for travelling expenses, £20 per annum forage allowance, and £10 per annum for office rent. ⁷ Allowed £20 per annum forage allowance; office provided. ⁸ To the 10th March. ⁹ Allowed a house. ¹⁰ Allowed quarters, fuel, and light.
* Allowed leave of absence for 12 months, from 1 November, with salary of £400 per annum.

PROTESTANT ORPHAN SCHOOL.

Matron	Annie Oakes Pringle ¹	16 Mar., 1875	Governor and Executive Council	160 0 0	16 Mar., 1875.
Master ²	Arthur Whitling ³	17 Feb., 1873	Ditto	140 0 0	24 April, 1869.*
	succeeded by Sydney Maxted	1 Aug., 1878	Ditto	140 0 0	1 Aug., 1878.
Surgeon ⁴					
Schoolmaster ⁵	Edward Robert Hinder ⁶	1 Feb., 1874	Ditto	120 0 0	1 Feb., 1874.
	succeeded by Thomas James Halloran	25 Nov., 1878	Ditto	120 0 0	25 Nov., 1878.
First Teacher	Margaret Fairbairn ⁷	1 June, 1869	Ditto	70 0 0	1 June, 1869.
Infant Teacher	Maria Morrow ⁸	16 Feb., 1864	Ditto	50 0 0	16 Feb., 1864.
Sub-Matron	Mary Jowett ⁸	1 Jan., 1871	Ditto	60 0 0	1 Oct., 1863.
Drillmaster ⁹	Richard M'Namara ⁹	1 Jan., 1863	Ditto	80 0 0	1 Jan., 1863.
	succeeded by John Harris	1 April, 1878	Ditto	80 0 0	1 April, 1878.
Male Attendants (4) ¹⁰			Matron	1 at 60 0 0 1 at 45 0 0 2 at 40 0 0	each.
Female Attendants (10) ⁵			Ditto	30 0 0	„

¹ Allowed quarters; also a ration of provisions, fuel, and light. The Matron's children allowed half a ration of provisions each. ² Allowed £35 per annum in lieu of quarters; (Mr. Maxted allowed a house) also a ration of provisions, fuel, and light. The Master's children allowed half a ration of provisions each. ³ To 22 July. ⁴ See page 33. ⁵ Allowed £35 per annum in lieu of quarters, and £45 per annum in lieu of rations. ⁶ To 31 October. ⁷ Allowed £35 per annum in lieu of quarters and rations. ⁸ Allowed quarters, rations of provisions, fuel, and light. ⁹ To 31 March. ¹⁰ One allowed £10 per annum in lieu of quarters, and two allowed quarters; each allowed rations of provisions, fuel, and light.
* Services not continuous.

ROMAN CATHOLIC ORPHAN SCHOOL.

Matron	Margaret Mary Gertrude Byrne	1 Oct., 1876	Governor and Executive Council	164 0 0	1 Feb., 1859.
Surgeon	See p. 33.				
Sub-Matron	Catherine Woodbury	1 Aug., 1875	Ditto	70 0 0	1 Aug., 1875.
	Alice M'Closky	1 Oct., 1876	Ditto	70 0 0	1 Oct., 1876.
Teachers	Mary P. Kelleher	1 Feb., 1875	Ditto	50 0 0	1 Feb., 1875.
	Michael O'Grady	1 Aug., 1872	Ditto	200 0 0	1 Aug., 1872.
	succeeded by William John Ferris	15 Nov., 1878	Ditto	200 0 0	15 Nov., 1878.
Drillmaster	Michael O'Shea	1 Nov., 1871	Ditto	80 0 0	1 Nov., 1871.
				2 at 60 0 0 1 at 50 0 0 1 at 45 0 0 1 at 35 0 0 1 at 30 0 0	each.
Attendants (16)			Matron		
Clerk to Committee	Thomas Cooper Makinson	1 Aug., 1856	Governor and Executive Council	80 0 0	1 Aug., 1856.

NOTE.—All allowed quarters, except the Clerk to Committee, the Boys' Teacher, and Baker. Each allowed a ration of provisions, except Clerk to Committee and the Boys' Teacher.

Office.	Name.	Date of Appointment.	By whom appointed, and under what Instrument.	Annual Salary. £ s. d.	Date of first Appointment under the Colonial Government.
MINISTER OF JUSTICE AND PUBLIC INSTRUCTION—continued.					
AUSTRALIAN MUSEUM.					
Official Trustees.....	His Honor the Chief Justice The Honble. the Colonial Secretary The Honble. the Colonial Treasurer. The Honble. the Attorney General. The President of the Medical Board..... The Surveyor General..... The Auditor General..... The Colonial Architect The Collector of Customs.		Under the provisions of the Act 27 Vic. No. 2.		
Crown Trustee	The Honble. Sir Edward Deas-Thomson, C.B. K.C.M.G.				
Elective Trustees	Edward S. Hill, C.M.Z.S. James C. Cox, M.D., F.L.S. C.M.Z.S. A. W. Scott, M.A. Capt. Arthur Onslow, R.N., M.P. John Belisario, D.D.S. Archibald Liversidge. Alfred Roberts, M.R.C.S. James Norton. Patrick Mackay. H. C. Russell, B.A. succeeded by Edwin Chisholm, M.D. Thomas Stackhouse, R.N. succeeded by H. H. B. Bradley. C. W. Morgan, M.D.				
Curator ¹	Edward P. Ramsay, F.L.S.	22 Sept., 1874	Trustees	500 0 0	
Secretary.....	Charles Robinson	7 July, 1874	Ditto	200 0 0	
Taxidermist	John Adolphus Thorpe	— June, 1869	Ditto	200 0 0	
Articulator of Skeletons (1)			Ditto	150 0 0	
Assistant Taxidermist and Carpenter (1).			Ditto	120 0 0	
Attendant and Porter (1)...			Ditto	120 0 0	
Attendant (1)			Ditto	100 0 0	
Attendant (1)				52 0 0	
Messenger (1)				15 12 0	
FREE PUBLIC LIBRARY.					
Trustees	Rev. Charles Badham, D.D. Rev. William Branwhite Clarke, M.A., F.R.S. ¹ succeeded by Edward Greville, M.L.A. The Honble. William Bede Dalley, M.L.C. William Augustine Duncan Rev. John Dunmore Lang, D.D. ¹ succeeded by James Norton	10 Mar., 1870 10 Mar., 1870 9 Aug., 1878 10 Mar., 1870 10 Mar., 1870 10 Mar., 1870 1 Nov., 1878	Governor and Executive Council	Nil.	26 May, 1839.
	The Honble. Sir William Macarthur, Knt., M.L.C. William Macleay, M.L.C. The Honble. Robert Owen, M.L.C. ¹ John Stewart	10 Mar., 1870 10 Mar., 1870 22 April, 1873			
Principal Librarian	Wm. John Stephens, M.A.	19 April, 1870	Ditto	400 0 0	1 April, 1855.*
Assistant Librarian and Compiler.	Robert Cooper Walker ² Doctor Richard Hawley...	1 Oct., 1869 1 Oct., 1869	Ditto	300 0 0	1 Oct., 1869.
Attendants—Day (2)			Principal Librarian	{ 1 at 104 0 0 1 at 75 0 0	
Attendants—Night (2)			Ditto	{ 1 at 130 0 0 1 at 50 0 0	
Messenger and Cleaner (1)			Ditto	112 0 0	
Lending Branch— Librarian	Edward Gillett Worcester Palmer.	1 Nov., 1877	Governor and Executive Council	350 0 0	1 Nov., 1877.
Assistant Librarian	Edward O'Brien	1 Oct., 1869	Ditto	200 0 0	1 Oct., 1869.
Entry Clerk	John Quodling ³ succeeded by Alfred Augustus Richardson.	1 Dec., 1877 1 Oct., 1878	Ditto	180 0 0	10 Oct., 1862. 1 Oct., 1878.
Attendant (1)			Principal Librarian	75 0 0	

¹ Deceased. ² Resides on the premises; allowed fuel and light. Gives security to the amount of £300. ³ To 8 July. * Services not continuous.

Office.	Name.	Date of Appointment.	By whom appointed, and under what instrument.	Annual Salary. £ s. d.	Date of first Appointment under the Colonial Government.
MINISTER OF JUSTICE AND PUBLIC INSTRUCTION—continued.					
OBSERVATORY.					
Government Astronomer	Henry Chamberlaine Russell ¹	12 July, 1870	Governor and Executive Council	600 0 0	1 Jan., 1859.
Astronomical Assistant	Henry Alfred Lenehan ²	9 Aug., 1870	Ditto	300 0 0	9 Aug., 1870.
Meteorological Assistant	Edwin George Savage	13 Sept., 1869	Ditto	200 0 0	13 Sept., 1869.
Map Compiler	Frank Murcott Bladen	1 June, 1878	Ditto	150 0 0	8 Mar., 1875.
Meteorological Observer	Frank Murcott Bladen ³	8 Mar., 1875	Ditto	150 0 0	8 Mar., 1875.
	succeeded by John Henry Haviland Reynolds.	1 June, 1878	Ditto	100 0 0	1 June, 1878.
Instrument-maker	Thomas Edward Hewitt	1 May, 1876	Ditto	200 0 0	16 April, 1866.
Messenger (1) ⁴			Astronomer	100 0 0	

¹ Allowed a house; also £100 for astronomical work for the Trigonometrical Survey. Gives security to the amount of £200.

² Allowed £50 in lieu of house. ³ To 31 May. ⁴ Allowed a house.

PART VI.

Attorney General.

SUMMARY.

	PAGE.
Attorney General	68
Crown Solicitor	68
Quarter Sessions	68
Parliamentary Draftsman	68
Registrar of Friendly Societies	68

ATTORNEY GENERAL.

Office.	Name.	Date of Appointment.	By whom appointed, and under what Instrument.	Annual Salary.	Date of first Appointment under the Colonial Government.
				£ s. d.	
ATTORNEY GENERAL.					
Attorney General	William John Foster	18 Dec., 1877	Governor, by Commission	1,500 0 0	11 July, 1859.
	succeeded by				
	William Charles Windeyer	21 Dec., 1878	Ditto	1,500 0 0	20 Jan., 1859.*
Secretary	Alexander Greville ¹	1 Jan., 1875	Governor and Executive Council	500 0 0	1 Jan., 1848.*
	succeeded by				
	George Houstoun Reid	23 Sept., 1878	Ditto	500 0 0	18 July, 1864.
Clerk	John Henry Williams	21 July, 1876	Ditto	156 0 0	1 Jan., 1872.*
Messenger (r)			Attorney General	104 0 0	

¹ To 11 September

* Services not continuous.

CROWN SOLICITOR.

Crown Solicitor	John Williams	1 June, 1859	Governor and Executive Council, by Commission.	1,000 0 0	1 June, 1859.
1st Clerk	John Benyon Jackson ¹	22 Mar., 1857	Governor and Executive Council	500 0 0	19 May, 1855.
	succeeded by				
	Hugh Henry Ould	10 Sept., 1878	Ditto	500 0 0	10 Sept., 1878.
2nd Clerk	John James Lee	15 July, 1872	Ditto	350 0 0	15 Feb., 1845.
3rd Clerk	Michael Sheridan Harte	15 July, 1872	Ditto	300 0 0	20 July, 1859.
4th Clerk	Charles Richard Walsh	15 July, 1872	Ditto	200 0 0	15 July, 1872.
5th Clerk	William George Wilson	11 Sept., 1876	Ditto	200 0 0	11 Sept., 1876.
6th Clerk	James Herbert Smith	11 Sept., 1876	Ditto	125 0 0	1 Aug., 1875.
Messenger (r)			Attorney General	114 0 0	

¹ To 2 August—deceased.

QUARTER SESSIONS.

Chairmen ¹ :—					
Metropolitan and Hunter District.	James Sheen Dowling	1 Oct., 1861	Governor and Executive Council, by Commission.		1 Jan., 1851.
	William Hattam Wilkinson	21 July, 1874	Ditto		22 Feb., 1860.
Southern District	Alfred M'Farland	7 Nov., 1868	Ditto		30 May, 1861.
South-western District	David Grant Forbes	8 June, 1875	Ditto		1 Jan., 1851.
Western District	Joshua Frey Josephson	10 Sept., 1869	Ditto		27 Oct., 1868.
Northern District	Frederick William Meymott. ²	14 Dec., 1865	Ditto		28 Aug., 1856.
North-Western, and Eastern District.	Charles Edward Robertson Murray.	2 Oct., 1878	Ditto		1 Aug., 1864.*
Crown Prosecutors ³ :—					
Sydney	Francis Edward Rogers	21 Dec., 1877	Ditto	500 0 0	28 Jan., 1869.
Metropolitan and Hunter District (other places than Sydney.)	Edward Lee	1 Jan., 1878	Ditto	500 0 0	1 Jan., 1858.
Southern District	Patrick Joseph Healey	1 Jan., 1878	Ditto	500 0 0	1 Jan., 1878.
South-western District	Charles Edward Robertson Murray. ⁴	8 June, 1875	Ditto	500 0 0	1 Aug., 1864.*
	succeeded by				
	Ernest Brougham Docker	12 Aug., 1878	Ditto	500 0 0	1 Nov., 1871.
Western District	John Jeremiah Teece	1 Feb., 1876	Ditto	500 0 0	1 Feb., 1876.
Northern District	Ernest Brougham Docker ¹	8 June, 1875	Ditto	500 0 0	1 Nov., 1871.
	succeeded by				
	Richard O'Connor	26 July, 1878	Ditto	500 0 0	26 July, 1878.
North-Western and Eastern District.	Edmund Barton ⁵	26 July, 1878	Ditto	500 0 0	26 July, 1878.
	succeeded by				
	Alfred Paxton Backhouse	1 Oct., 1878	Ditto	500 0 0	1 Oct., 1878.
Departmental :—					
Clerk of the Peace for the Colony.	Archibald Colquhoun Fraser. ⁶	1 Jan., 1870	Ditto	600 0 0	11 Dec., 1854.
1st Clerk	Henry William Forster	11 Sept., 1876	Governor and Executive Council	250 0 0	15 Dec., 1870.
2nd Clerk	William Richard Beaver	1 Jan., 1872	Ditto	175 0 0	1 Jan., 1872.
3rd Clerk	George Gurney	11 Aug., 1877	Ditto	150 0 0	11 Aug., 1877.
Messenger (r)				104 0 0	

¹ Also District Court Judges—Those for the Metropolitan and Coast District allowed 30s., the others £2 per diem, travelling expenses when absent on duty.
² Mr. Murray acted for Mr. Meymott, absent on sick leave, from 26 July to 26 September. ³ Each allowed 30s. per diem travelling expenses when absent on duty; Mr. Backhouse allowed 40s. per diem. ⁴ To 11 August; see above. ⁵ To 30 September—resigned. ⁶ Allowed 30s. per diem travelling expenses when absent on duty. Gives security to the amount of £500. * Services not continuous.

NOTE.—The Crown Prosecutors are allowed to practise their profession privately.

PARLIAMENTARY DRAFTSMAN.

Parliamentary Draftsman	Alexander Oliver	1 June, 1878	Governor and Executive Council	1,000 0 0	1 Aug., 1865.
Clerk	Edward Lewis Scott	1 July, 1878	Ditto	150 0 0	1 July, 1878.

FRIENDLY SOCIETIES.

Registrar	Alexander Oliver	20 Jan., 1874	Governor and Executive Council	91 9 0	1 Aug., 1875.
-----------------	------------------------	---------------	--------------------------------	--------	---------------

PART VII.

Treasurer and Secretary for Finance and Trade,

AND THE

DEPARTMENTS UNDER HIS SUPERVISION AND CONTROL.

SUMMARY.

	PAGE.
Treasury	70
Customs	71
Colonial Distilleries and Sugar Refineries	74
Store Branch of the Treasury	74
Printing, Bookbinding, Stamps, and Railway Tickets	75
Ordnance and Barrack Department	76
Health Officers, &c.	76
Quarantine	76
Shipping Masters	76
Marine Board	77
Glebe Island Abattoir	79
Board for Inspecting and maintaining the supply of Colonial Warlike Stores	79
Imperial Pension Office	79
Board of Pharmacy	80

COLONIAL TREASURER.

Office.	Name.	Date of Appointment.	By whom appointed, and under what Instrument.	Annual Salary.	Date of first Appointment under the Colonial Government.
				£ s. d.	
TREASURY.					
Treasurer and Secretary for Finance and Trade.	Henry Emanuel Cohen	18 Dec., 1877	Governor, by Commission.....	1,500 0 0	18 Dec., 1877.
	succeeded by				
	James Watson	21 Dec., 1878	Ditto	1,500 0 0	
Under Secretary for Finance and Trade.	Geoffrey Eagar	1 Feb., 1872	Governor and Executive Council by Commission.	800 0 0	27 Oct., 1859.*
Chief Inspector of Public Revenue Collectors' Accounts.	James Thomson ¹	1 Feb., 1872	Governor and Executive Council	650 0 0	17 May, 1855.
Inspectors of Public Revenue Collectors' Accounts.	John James Eaton	1 May, 1873	Ditto	550 0 0	8 Mar., 1854.
	Francis Kirkpatrick.....	1 Sept., 1876	Ditto	550 0 0	10 Nov., 1858.
	Charles Hart Townley Pinhey.	1 May, 1878	Ditto	550 0 0	7 Jan., 1862.
Accountant	James Pearson	1 Sept., 1876	Ditto	500 0 0	4 Jan., 1859.
Sub-Accountant.....	James N. Oatley	1 Sept., 1876	Ditto	350 0 0	1 June, 1862.
Principal Bookkeepers	Thomas Brennan	1 Sept., 1876	Ditto	300 0 0	28 June, 1857.
	R. M. Ross ²	1 Jan., 1878	Ditto	300 0 0	1 April, 1873.*
	succeeded by				
Clerks	James J. Hinchy	23 Sept., 1878	Ditto	300 0 0	8 July, 1864.
	James W. Meikle	1 Jan., 1873	Ditto	200 0 0	— Dec., 1870.
	Nathaniel Neale	1 Jan., 1874	Ditto	190 0 0	16 Sept., 1872.
				to 22 Sept., 200 0 0 from 23 Sept.	
	Edward Cleland	1 Sept., 1875	Ditto	165 0 0	1 Mar., 1875.
				to 22 Sept. 190 0 0 from 23 Sept.	
	Robert Rutherford	1 Sept., 1875	Ditto	175 0 0	15 Feb., 1875.
	Thomas Gainford	16 Dec., 1875	Ditto	165 0 0	16 Dec., 1875.
				to 22 Sept. 175 0 0 from 23 Sept.	
	W. A. Lesley	13 Dec., 1877	Ditto	100 0 0	13 Dec., 1877.
				to 22 Sept. 165 0 0 from 23 Sept.	
Extra Clerks	R. H. Reilly.....	2 Oct., 1877	Ditto	150 0 0	2 Oct., 1877.
	S. G. Barff	9 Sept., 1878	Ditto	150 0 0	
Probationers	William Paige	3 Oct., 1877	Ditto	75 0 0	3 Oct., 1877.
	H. N. Ellis	8 July, 1878	Ditto	50 0 0	
Receiver	William Newcombe.....	20 Dec., 1864	Ditto	500 0 0	1 Feb., 1849.
First Clerk	Richard Augustus Canter..	9 June, 1873	Ditto	350 0 0	13 Feb., 1862.
	succeeded by				
Clerks	Philip J. Holdsworth	1 May, 1878	Ditto	350 0 0	12 May, 1868.
	Thomas Bain	9 June, 1860	Ditto	275 0 0	9 June, 1860.
	Philip Joseph Holdsworth	8 Mar., 1871	Ditto	235 0 0	12 May, 1868.
	W. H. Barraclough.....	3 Nov., 1873	Ditto	200 0 0	3 Nov., 1873.
				to 30 April. 235 0 0 from 1 May.	
	Nicholas Lockyer.....	1 Jan., 1870	Ditto	200 0 0	1 Jan., 1870.
	Percy E. Williams	1 Nov., 1874	Ditto	190 0 0	1 Oct., 1872.
				to 30 April. 200 0 0 from 1 May.	
	Ernest Hanson.....	1 Jan., 1873	Ditto	165 0 0	19 Aug., 1872.
				to 30 April. 190 0 0 from 1 May.	
	G. E. Brodie	1 July, 1874	Ditto	150 0 0	1 Jan., 1870.
				to 30 April. 165 0 0 from 1 May.	
	J. Barton	8 Jan., 1878	Ditto	75 0 0	8 Jan., 1878.
				to 30 April. 100 0 0 from 1 May.	
	A. S. Maddocks	9 Sept., 1878	Ditto	100 0 0	9 Sept., 1878.
	Thomas Smith	1 Jan., 1877	Ditto	50 0 0	1 Jan., 1877.
	Charles M'Kern	4 Dec., 1877	Ditto	100 0 0	7 May, 1875.
	W. Husband	15 Oct., 1877	Ditto	100 0 0	15 Oct., 1877.
Collector and Depositor of Public Moneys.	Michael Bennis ³	1 July, 1864	Colonial Treasurer	200 0 0	1 Dec., 1866.
	succeeded by				
	W. Crimston	12 Aug., 1878	Ditto	200 0 0	12 Aug., 1878.
Paymaster	James Daniel Cronin	1 Aug., 1865	Governor and Executive Council	500 0 0	18 Feb., 1854.
First Clerk	Thomas W. Nicholl.....	12 Oct., 1875	Ditto	300 0 0	16 July, 1866.

¹ Allowed £25 per annum for Special Services.² Appointed Clerk of Correspondence.³ Deceased.

*Services not continuous.

NEW SOUTH WALES—1878.

71

Office.	Name.	Date of Appointment.	By whom appointed, and under what Instrument.	Annual Salary.	Date of first Appointment under the Colonial Government.
				£ s. d.	
COLONIAL TREASURER—TREASURY—continued.					
Clerks	James J. Hinchy ¹	8 Oct., 1877	Governor and Executive Council	250 0 0	8 July, 1864.
	C. L. Boyce	1 Jan., 1878	Ditto	250 0 0	1 Aug., 1874.
	F. C. Rooke	1 Dec., 1875	Ditto	225 0 0	1 Aug., 1870.
	Sydney Richard Corkhill	16 Dec., 1875	Ditto	200 0 0	— April, 1871.
	Joseph S. Walford	1 Jan., 1871	Ditto	200 0 0	26 Aug., 1867.
Extra Clerk	H. B. Brewer	19 Aug., 1878	Ditto	150 0 0	19 Aug., 1878.
Examiner of Accounts	Charles Hart Townley Pinhey. ¹	1 May, 1873	Ditto	400 0 0	7 Jan., 1862.
	succeeded by				
	Richard Augustus Canter	1 May, 1878	Ditto	400 0 0	13 Feb., 1862.
Assistant Examiner	Charles Napier	13 June, 1877	Ditto	250 0 0	1 May, 1875.
Cadet	A. P. Pearson	2 Sept., 1878	Colonial Treasurer	50 0 0	2 Sept., 1878.
Clerk of Correspondence	George Houston Reid ²	1 Sept., 1869	Governor and Executive Council	400 0 0	18 July, 1864.
	succeeded by				
	Robert M. Ross	23 Sept., 1878	Ditto	400 0 0	1 April, 1873.*
Clerk	William Wells	13 June, 1877	Ditto	250 0 0	— Jan., 1842.*
	William Pownall	9 Feb., 1874	Ditto	{ 125 to 30 April, } { 150 from 1 May, }	{ 9 Feb., 1874. }
Registrar	Arthur Wellesley Monday ³	11 April, 1856	Governor	400 0 0	8 April, 1856.
Clerks	Alfred Essex Evans	1 April, 1868	Governor and Executive Council	250 0 0	7 Jan., 1867.
	R. T. Sparks	1 Jan., 1878	Ditto	150 0 0	15 Oct., 1877.
Miscellaneous Clerks	Henry Jenkins Stanley Bowdler	27 Sept., 1864	Ditto	275 0 0	20 Feb., 1854.
	George Coleridge Nixon	1 Oct., 1878	Ditto	200 0 0	1 Oct., 1877.
	Frederick Clinton Levinge	23 Sept., 1878	Ditto	150 0 0	1 July, 1864.
Chief Messenger (1) ⁴			Treasurer	150 0 0	
Messenger (1)			Ditto	75 0 0	
Boy Messenger (1)			Ditto	50 0 0	
Housekeepers (2) ⁵			Ditto	{ 1 at } { 1 at } 50 0 0	

¹ See p. 70. ² Appointed Secretary to the Attorney General. ³ Allowed £50 per annum for special services. ⁴ Allowed quarters, fuel, and light. ⁵ Each allowed quarters, and one allowed £25 per annum for additional work. * Services not continuous.

NOTE.—The following officers give security:—Under Secretary, £5,000; Receiver and Paymaster, £4,000 each; First Clerk, Receiver's Branch, £1,000; First Clerk, Pay Branch, £3,000; Clerks, viz.—Mr. Rooke, £500; Mr. Bain, £400; Messrs. Holdsworth, Barraclough, and Corkhill, each £200; Messrs. Lockyer and Hanson, each £150; Messrs. Williams and Brodie, each £100; and Collector and Depositor of Public Monies, £1,500.

CUSTOMS.

Collector of Customs	William Augustine Duncan ¹	29 April, 1859	} Governor and Executive Council	1,000 0 0	14 May, 1846.
	Re-appointed	4 Jan., 1869			
Acting ditto	Augustus Berney	26 Nov., 1877	Ditto	see below.	5 Feb., 1855.
Chief Clerk	William Norman Llewellyn	1 Jan., 1855	Governor	530 0 0	6 Jan., 1842.
2nd Clerk and Cashier	John Halford Maddocks	1 Jan., 1855	Ditto	530 0 0	15 Feb., 1843.
3rd Clerk	Henry John Rucker	1 Jan., 1855	Ditto	375 0 0	16 Jan., 1849.
4th ditto	Richard Kelly	1 Jan., 1870	Governor and Executive Council	400 0 0	17 Jan., 1854.
5th ditto	Robert Small	1 Jan., 1870	Ditto	375 0 0	3 Aug., 1861.
6th ditto	Charles Chatfield Pope	8 Jan., 1873	Ditto	250 0 0	19 Feb., 1864.
7th ditto	Louis Buchanan	8 Jan., 1873	Ditto	225 0 0	1 Jan., 1867.
8th ditto	Michael D'Arcy	8 Jan., 1873	Ditto	205 0 0	29 April, 1861.
9th ditto	Frank Alexander Eagar	1 Sept., 1874	Ditto	200 0 0	30 April, 1868.
10th ditto	William Henry Burton	1 Sept., 1874	Ditto	200 0 0	13 April, 1870.
11th ditto	Stephen Rickard Burke	1 Sept., 1874	Ditto	175 0 0	18 Jan., 1863.
12th ditto	John Joseph Madden	1 Sept., 1874	Ditto	175 0 0	22 Feb., 1864.
13th ditto	John Mathias Walshe	1 Sept., 1874	Ditto	175 0 0	5 June, 1866.
14th ditto	Elijah Keating	25 Sept., 1876	Ditto	175 0 0	17 Jan., 1868.
15th ditto	James Jones	25 Sept., 1876	Ditto	175 0 0	1 Aug., 1859.
16th ditto	James Neathway Brown	1 Oct., 1876	Ditto	175 0 0	27 Dec., 1870.
17th ditto	William Bethune	30 May, 1877	Ditto	175 0 0	1 Feb., 1871.
18th ditto	John Joseph Hill	30 May, 1877	Ditto	175 0 0	1 Jan., 1864.
19th ditto	Charles Wesley Caldwell	30 May, 1877	Ditto	175 0 0	11 Feb., 1874.
1st Landing Surveyor	Augustus Berney ²	21 Mar., 1866	} Ditto	620 0 0	5 Feb., 1855.
	Re-appointed	4 Jan., 1869			
Acting ditto	Edmund Jones	26 Nov., 1877	Ditto	see below.	1 April, 1850.
	1 April, 1866				
2nd ditto	Edmund Jones	Re-appointed	} Ditto	500 0 0	1 April, 1850.
	4 Jan., 1869				
Acting ditto	Arthur Irwin Ormsby	26 Nov., 1877	Ditto	see below.	9 Feb., 1847.
1st Landing Waiter	Arthur Irwin Ormsby	1 April, 1866	Ditto	415 0 0	9 Feb., 1847.
2nd ditto	Thomas Godfrey	1 Sept., 1859	Ditto	415 0 0	8 Feb., 1858.
3rd ditto	William Richard Templeman Passmore	1 July, 1869	Ditto	390 0 0	22 Aug., 1853.

¹ Allowed twelve months leave of absence on full pay from 26 November, 1877—Leave extended for 6 months.

² Acting Collector of Customs.

Office.	Name.	Date of Appointment.	By whom appointed, and under what Instrument.	Annual Salary.			Date of first Appointment under the Colonial Government.
				£	s.	d.	
COLONIAL TREASURER—customs—continued.							
4th Landing Waiter	John Delappe Lankester ¹	1 July, 1869	Governor and Executive Council	365	0	0	25 Feb., 1859.
	succeeded by						
	John Newman Stubbin	1 July, 1878	Ditto	365	0	0	22 Dec., 1853.
5th ditto	John Newman Stubbin	7 Feb., 1877	Ditto	365	0	0	22 Dec., 1853.
	succeeded by						
	Samuel Levy	1 July, 1878	Ditto	365	0	0	5 Mar., 1860.
6th ditto	Samuel Levy	1 July, 1869	Ditto	365	0	0	5 Mar., 1860.
	succeeded by						
	John Cunningham	1 July, 1878	Ditto	365	0	0	16 May, 1853.
7th ditto	John Cunningham	4 Dec., 1877	Ditto	315	0	0	16 May, 1853.
	succeeded by						
	Alexander Fraser	1 July, 1878	Ditto	315	0	0	22 July, 1853.
8th ditto	Alexander Fraser	4 Dec., 1877	Ditto	315	0	0	22 July, 1853.
	succeeded by						
	Charles Duberly	1 July, 1878	Ditto	315	0	0	11 Feb., 1862.
9th ditto	Charles Duberly	4 Dec., 1877	Ditto	315	0	0	11 Feb., 1862.
	succeeded by						
	William Beck	1 July, 1878	Ditto	315	0	0	19 Nov., 1853.
10th ditto	William Beck	4 Dec., 1877	Ditto	315	0	0	19 Nov., 1853.
	succeeded by						
	John Green	1 July, 1878	Ditto	315	0	0	1 July, 1857.
11th ditto	Charles St. Julian	4 Dec., 1877	Ditto	315	0	0	1 April, 1860.
12th ditto	Nathaniel Neale	4 Dec., 1877	Ditto	315	0	0	1 Aug., 1868.
13th ditto	David Howell	4 Dec., 1877	Ditto	315	0	0	16 July, 1869.
14th ditto	Alfred Green	4 Dec., 1877	Ditto	315	0	0	4 July, 1862.*
15th ditto	Oscar Charles Otto Paschen	4 Dec., 1877	Ditto	315	0	0	7 April, 1869.*
16th ditto	Frederick William Twine	4 Dec., 1877	Ditto	315	0	0	24 Feb., 1868.
17th ditto	Thomas M'Koy ²	4 Dec., 1877	Ditto	315	0	0	17 Jan., 1859.
	succeeded by						
	Robert Christison	1 Dec., 1878	Ditto	315	0	0	12 April, 1866.
18th ditto	Robert Christison	4 Dec., 1877	Ditto	315	0	0	12 April, 1866.
	succeeded by						
	John Borghurst Spencer	1 Dec., 1878	Ditto	315	0	0	18 Dec., 1862.
19th ditto	John Borghurst Spencer	4 Dec., 1877	Ditto	315	0	0	18 Dec., 1862.
	succeeded by						
	Samuel Harper	1 Dec., 1878	Ditto	315	0	0	1 May, 1869.
20th ditto	Samuel Harper	4 Dec., 1877	Ditto	315	0	0	1 May, 1869.
	succeeded by						
	John Baxter	1 Dec., 1878	Ditto	315	0	0	8 Feb., 1865.
21st ditto	John Baxter	4 Dec., 1877	Ditto	315	0	0	8 Feb., 1865.
	succeeded by						
	William Robertson	1 Dec., 1878	Ditto	315	0	0	1 June, 1864.
1st Tide Surveyor	Robert Lawton Baues	25 Sept., 1876	Ditto	375	0	0	26 Aug., 1859.
2nd ditto	William Smyth	25 Sept., 1876	Ditto	375	0	0	7 Feb., 1864.
Warehouse Keeper	Thomas Fancourt	30 May, 1859	Ditto	450	0	0	20 Dec., 1847.
1st Locker	Robert Brock	1 July, 1874	Ditto	275	0	0	18 May, 1858.
2nd ditto	Charles Kelly	25 Sept., 1876	Ditto	275	0	0	18 Jan., 1856.
3rd ditto	William Robertson ³	21 Mar., 1877	Ditto	275	0	0	1 June, 1864.
	succeeded by						
	Thomas M'Koy	1 Dec., 1878	Ditto	275	0	0	17 Jan., 1859.
4th ditto	Thomas Brooks	21 Mar., 1877	Ditto	275	0	0	16 July, 1862.
5th ditto	Christopher Warburton	21 Mar., 1877	Ditto	275	0	0	30 Oct., 1859.
6th ditto	Frederick Huntley	21 Mar., 1877	Ditto	250	0	0	6 July, 1859.
7th ditto	Henry Ikin	7 Feb., 1877	Ditto	250	0	0	23 April, 1860.
8th ditto	Samuel Matthew Beard	4 Dec., 1877	Ditto	250	0	0	26 Aug., 1868.
9th ditto	Anthony Charles Donelan	4 Dec., 1877	Ditto	250	0	0	1 Aug., 1861.
10th ditto	Michael Fay	4 Dec., 1877	Ditto	250	0	0	15 Oct., 1861.
11th ditto	Edward Chapman	4 Dec., 1877	Ditto	250	0	0	23 May, 1873.
12th ditto	Arthur Tidman Lloyd	4 Dec., 1877	Ditto	250	0	0	27 July, 1874.
13th ditto	Robert John Curran	4 Dec., 1877	Ditto	250	0	0	9 May, 1867.
14th ditto	Albany Clement Douty	4 Dec., 1877	Ditto	250	0	0	29 Dec., 1870.
15th ditto	Robert Cattle Maddocks	4 Dec., 1877	Ditto	250	0	0	12 Sep., 1860.
16th ditto	Dalway Bell ⁴	4 Dec., 1877	Ditto	250	0	0	1 June, 1867.
	succeeded by						
	Hamilton L. Low	11 Sept., 1878	Ditto	250	0	0	2 Oct., 1872.
17th ditto	Hamilton L. Low	4 Dec., 1877	Ditto	250	0	0	2 Oct., 1872.
	succeeded by						
	Roger Dodwell	11 Sept., 1878	Ditto	250	0	0	22 May, 1873.
Locker, Queen's Warehouse	John Halloran	7 Sept., 1876	Ditto	225	0	0	17 Nov., 1865.
Collector's Messenger (1) ⁵			Collector of Customs	150	0	0	
Long Room ditto (1)			Ditto	135	0	0	
Warrant Officers (3)			Ditto	{ 2 at 130	0	0	each.
				{ 1 at 75	0	0	
				{ 1 at 75	0	0	
Boy Messengers (5)			Ditto	{ 4 at 50	0	0	
Coxswains (2)			Colonial Treasurer	120	0	0	
Boatmen (6)			Ditto	108	0	0	
Housekeeper (1) ⁵			Collector of Customs	60	0	0	
Watchman (1)			Colonial Treasurer	114	0	0	

¹ To 24 May—deceased.² Exchanged appointments with 3rd Locker.³ Exchanged appointments with 17th Landing Waiter.⁴ To 10 September—appointed an Inspector of Distilleries.⁵ Allowed quarters, fuel, and light.⁶ Services not continuous.

NEW SOUTH WALES—1878.

73

Office.	Name.	Date of Appointment.	By whom appointed, and under what Instrument.	Annual Salary.	Date of first Appointment under the Colonial Government.
				£ s. d.	
COLONIAL TREASURER—CUSTOMS—continued.					
OUT-PORT BRANCH.					
BOTANY BAY.					
Coast Waiter	Michael M'Dermott ¹	19 May, 1868	Governor and Executive Council	250 0 0	6 June, 1854.
Boatmen (4)			Coast Waiter	108 0 0	each.
BROKEN BAY.					
Coast Waiter	Albert Thomas Black ¹	1 Oct., 1868	Governor and Executive Council	250 0 0	2 April, 1867.
Boatmen (4)			Coast Waiter	108 0 0	each.
NEWCASTLE.					
Sub-Collector	William R. Logan ²	1 April, 1870	Governor and Executive Council	450 0 0	22 Feb., 1848.
Landing Waiter	James Edward Hannell	1 July, 1874	Ditto	275 0 0	1 Jan., 1867.
Tide Surveyor	William James Browne ³	20 May, 1873	Ditto	300 0 0	18 Aug., 1864.
	succeeded by				
Locker	Charles Travers Grant	1 Mar., 1878	Ditto	300 0 0	10 Jan., 1859.
Clerks	John Halbert	9 July, 1874	Ditto	250 0 0	14 Dec., 1870.
	William Henry Whyte	1 July, 1874	Ditto	250 0 0	19 Jan., 1869.
	William Clay Rush	9 July, 1874	Ditto	200 0 0	24 Oct., 1871.
Warrant Officer (1)			Colonial Treasurer	170 0 0	
Messenger and Officekeeper (1).			Ditto	108 0 0	
Coxswain (1)			Governor	144 0 0	
Boatmen (3)			Sub-Collector	108 0 0	each.
MORPETH.					
Sub-Collector	Thomas Trimble ⁴	24 Mar., 1876	Governor and Executive Council	300 0 0	18 Oct., 1859.
Assistant Officer	Thomas Bartle	14 June, 1873	Colonial Treasurer	75 0 0	14 June, 1873.
GRAFTON.					
Sub-Collector ²	Charles Travers Grant ³	1 Dec., 1864	Governor and Executive Council	275 0 0	10 Jan., 1859.
	succeeded by				
Landing Waiter (Clarence Heads).	William James Browne	1 Mar., 1878	Ditto	275 0 0	18 Aug., 1864.
Boatmen (2)	Arthur Hood Pegus ⁶	6 April, 1870	Ditto	200 0 0	3 May, 1864.
Messenger (1)			Sub-Collector	108 0 0	each.
			Ditto	65 0 0	
EDEN.					
Sub-Collector	George Plunkett Keon ¹	20 Sept., 1856	Governor and Executive Council	300 0 0	28 Dec., 1845.
Coxswain (1)			Governor	132 0 0	
RICHMOND RIVER.					
Sub-Collector	William Cahill ¹	2 Aug., 1876	Governor and Executive Council	200 0 0	1 Aug., 1862.
Boatmen (2)			Sub-Collector	108 0 0	each.
TWEED RIVER.					
Sub-Collector	Thomas Carrick ⁷	1 Jan., 1871	Governor and Executive Council	250 0 0	4 Mar., 1865.
WOLLONGONG.					
Officer of Customs	Frederick Reynolds Cole	1 Sept., 1875	Colonial Treasurer	52 0 0	1 Sept., 1865.
To 8 September.					
Sub-Collector		9 Sept., 1878	Ditto	200 0 0	
From 9 September.					
Boatman (1)		19 Oct., 1878	Ditto	108 0 0	
OFFICERS OF CUSTOMS.					
Kiama	Henry Connell, jun.	11 July, 1864	Governor and Executive Council	52 0 0	21 Aug., 1844.
Shoalhaven	William Lovegrove	1 Jan., 1873	Ditto	52 0 0	1 Jan., 1857.
Macleay River	John Bartholomew Casey	25 May, 1864	Ditto	25 0 0	21 April, 1853.
Port Stephens	Thomas Laman	1 Sept., 1876	Ditto	52 0 0	13 April, 1859.
Bateman's Bay	James M'Carthy	16 Feb., 1877	Ditto	52 0 0	16 Feb., 1877.
BORDER BRANCH.					
MURRAY RIVER.					
<i>Moama.</i>					
Sub-Collector	Charles Edward Gordon ⁸	1 May, 1864	Ditto	450 0 0	4 May, 1853.
Assistant Officers of Customs	James Boyd ⁹	5 Feb., 1874	Ditto	250 0 0	21 May, 1866.
	John Kennedy ⁹	5 Feb., 1874	Ditto	250 0 0	24 Dec., 1870.
Clerk	John M. Duncan	1 Aug., 1875	Ditto	175 0 0	1 Aug., 1875.
Messenger (1)			Sub-Collector	96 0 0	
<i>Albury.</i>					
Sub-Collector	John Swyny ⁵	4 July, 1868	Governor and Executive Council	350 0 0	18 Jan., 1859.
Clerk	Patrick Joyce ¹⁰	1 Feb., 1872	Ditto	250 0 0	1 Feb., 1872.
Assistant Officers of Customs	William Whitehand ¹⁰	26 June, 1876	Ditto	200 0 0	26 June, 1876.
	James Cecil Fussell ¹¹	20 June, 1878	Ditto	200 0 0	25 Nov., 1876.
Acting Officer of Customs, Upper Murray.	George Robert Hamilton	1 Feb., 1878	Ditto	25 0 0	1 Feb., 1878.
Watchman (1)	Stuckey.		Sub-Collector	96 0 0	
<i>Howlong.</i>					
Officer of Customs	William Augustus Hunt ¹²	1 Feb., 1873	Governor and Executive Council	200 0 0	12 July, 1852.*
<i>Wentworth.</i>					
Sub-Collector	Daniel Joseph M'Kenry ¹¹	1 Sept., 1875	Ditto	300 0 0	3 Nov., 1864.
Assistant Officer of Customs	Mark King	20 Oct., 1876	Ditto	175 0 0	30 April, 1866.
Messenger (1)			Colonial Treasurer	96 0 0	
<i>Swan Hill.</i>					
Sub-Collector	John Wyse ¹³	18 Aug., 1864	Governor and Executive Council	250 0 0	1 Aug., 1862.
<i>Euston.</i>					
Sub-Collector	John O'Donnell ¹³	18 Aug., 1864	Ditto	250 0 0	17 April, 1862.

¹ Allowed quarters. ² Allowed £50 per annum in lieu of quarters. ³ Exchanged appointments with Sub-Collector, Grafton. ⁴ Allowed £20 per annum for office rent. ⁵ Exchanged appointments with Tide Surveyor, Newcastle. ⁶ Allowed £50 per annum in lieu of quarters. ⁷ Allowed £35 per annum in lieu of quarters. ⁸ Allowed quarters, and £50 per annum for forage. ⁹ Allowed £25 per annum in lieu of quarters. ¹⁰ Allowed £50 per annum in lieu of quarters, and £50 per annum in lieu of forage. ¹¹ Allowed £25 per annum in lieu of quarters and £50 for forage. ¹² Allowed £20 per annum for office rent, £25 per annum in lieu of quarters, £50 per annum for forage, and £25 per annum for travelling expenses. ¹³ Allowed £20 per annum for office rent, and £50 per annum for forage. ¹⁴ Services not continuous.

Office.	Name.	Date of Appointment.	By whom appointed, and under what Instrument.	Annual Salary. £ s. d.	Date of first Appointment under the Colonial Government.
COLONIAL TREASURER—CUSTOMS—continued.					
BORDER BRANCH—continued.					
<i>Corowa.</i>					
Sub-Collector	Pierce Nihill ¹	20 May, 1873	Governor and Executive Council	300 0 0	11 July, 1861.
Assistant Officer of Customs	Thomas Tayton Faris ²	1 Jan., 1875	Ditto	200 0 0	1 Jan., 1875.
Bridge Keeper (1)	Colonial Treasurer	104 0 0
<i>Tocumwal.</i>					
Sub-Collector	John Bruton ³	1 Feb., 1872	Governor and Executive Council	250 0 0	23 Aug., 1864.
<i>Queensland Border.</i>					
MARYLAND.					
Sub-Collector	George Lynch Hill ⁴	1 Jan., 1871	Ditto	250 0 0	13 April, 1869.
BOGABILLA.					
Sub-Collector	Howard Treherne Capper ⁵	8 June, 1876	Ditto	225 0 0	8 June, 1876.
INLAND BONDED WAREHOUSES.					
WAGGA WAGGA.					
Locker ⁶	John Green ⁵	1 Aug., 1868	Ditto	250 0 0	1 July, 1857.
Acting Customs Officer	Henry Baylis ⁶	1 Jan., 1875	Ditto	52 0 0	9 Aug., 1852.
BOURKE.					
Locker	Malcolm Scrymgour ²	15 July, 1875	Ditto	250 0 0	15 July, 1875.
Acting Sub-Collector	Alexander Ogilvie Grant	1 Jan., 1873	Ditto	52 0 0	27 Jan., 1846.*
DENILIKUIN.					
Locker ⁷	James Johnstone ²	26 June, 1876	Ditto	250 0 0	3 June, 1867.
Assistant Officer of Customs ²	James R. R. Miles ⁷	14 Dec., 1877	Ditto	200 0 0	1 July, 1875.
<i>succeeded by</i>					
WILCANNIA.					
Locker	Augustus Venour Nathan	1 Feb., 1878	Ditto	200 0 0	5 Mar., 1877.
.....	Michael John D'Arcy ⁸	4 July, 1876	Ditto	250 0 0	10 Dec., 1875.
BREWARRINA.					
Locker	John Swift ⁹	1 May, 1877	Ditto	250 0 0	15 June, 1870.
HAY.					
Sub-Collector	Lion Henry Walford ²	17 April, 1877	Ditto	250 0 0	19 Aug., 1870.
Assistant Locker	Thomas Henry Dawson ²	23 Nov., 1877	Ditto	200 0 0	16 Feb., 1874.
¹ Allowed £20 per annum for office rent, £50 per annum in lieu of quarters, and £50 per annum for forage. ² Allowed £50 per annum in lieu of quarters. ³ Allowed £25 per annum in lieu of quarters, and £50 per annum for forage. ⁴ Allowed £78 per annum in lieu of quarters, and £50 per annum for forage. ⁵ To 30 June—office abolished; appointed 10th Landing-waiter. ⁶ To 30 September—office abolished. ⁷ To 31 January—exchanged appointments with Mr. Nathan, of the Lands Department. ⁸ Allowed £50 per annum in lieu of quarters, and £50 per annum in lieu of forage. ⁹ Allowed £52 per annum in lieu of quarters. * Services not continuous.					
NOTE.—The following officers give security:—Collector of Customs, £6,000; Sub-Collector, Newcastle, £1,000; Clerk and Cashier, Landing Surveyors, Landing Waiters (Landing Waiter, Clarence Heads, £200), Tide Surveyors, Warehouse Keeper, Coast Waiters, Lockers, at Wagga Wagga, Bourke, Deniliquin, Wilcannia, Brewarrina, and Sub-Collectors at Morpeth, Grafton, Eden, Tweed River, Maryland, Moama, Tocumwal, Wentworth, Euston, and Hay, each £500; Sub-Collector, Bogabilla, £300; Sub-Collectors at Corowa, Swan Hill, Albury, and Richmond River, and Officer of Customs at Howlong, each £200; Chief Clerk, Clerks, Lockers, and Assistant Lockers, and Assistant Officers of Customs, each £100.					
COLONIAL DISTILLERIES AND SUGAR REFINERIES.					
Chief Inspector of Distilleries and Sugar Refineries	Henry Lumsdaine	1 Dec., 1859	Governor and Executive Council, by Commission.	675 0 0	1 Dec., 1845.
Senior Inspectors of Distilleries ¹	Robert Blake	1 May, 1863	Governor, by Commission	450 0 0	1 Feb., 1840.
.....	George H. Barney	1 Jan., 1851	Governor and Executive Council, by Commission.	450 0 0	14 April, 1855.
.....	5 Oct., 1858	Ditto	400 0 0	9 June, 1863.
Inspectors of Distilleries ¹	John Wye Weekes	1 Aug., 1868	Governor and Executive Council	350 0 0	29 Aug., 1859.
.....	Clunes Gordon Reid ²	9 June, 1873	Ditto	350 0 0	1 June, 1867.
<i>succeeded by</i>					
Inspectors of Sugar Refineries.	Dalway Bell	11 Sept., 1878	Ditto	325 0 0	19 Jan., 1857.
.....	Henry R. Smith	9 June, 1863	Ditto	300 0 0	15 July, 1846.*
Clerk	Thomas Cains Jamison	1 Aug., 1868	Colonial Treasurer	100 0 0	23 Nov., 1875.
.....	David Murdoch ³	23 Nov., 1875	Ditto	100 0 0	28 Oct., 1875.
<i>succeeded by</i>					
Gatekeeper (1)	William Johnson	28 Oct., 1878	Chief Inspector of Distilleries, &c.	100 0 0
Messenger (1)	Ditto	70 0 0
Boatmen, Harwood Island (1)	Colonial Treasurer	108 0 0
Watchman (1)	Ditto	100 0 0
¹ Allowed at the rate of £50 per annum for house-rent during their services at the Harwood Island Distillery, Clarence River. ² To 9 July. ³ To 10 September. * Services not continuous.					
NOTE.—The following Officers give security for the amounts set opposite their respective names:—Chief Inspector, £1,000; Inspectors, £300 each.					
STORE BRANCH OF THE TREASURY.					
Superintendent of Stores	Lancelot Iredale Bremmand ¹	1 July, 1864	Governor and Executive Council	400 0 0	8 Jan., 1855.
Chief Clerk	James M'Veigh ²	1 Mar., 1875	Ditto	175 0 0	4 July, 1873.
<i>succeeded by</i>					
Accountant	George O'Donnell	19 Sept., 1878	Governor and Executive Council	175 0 0	1 Nov., 1866.
Record Clerk	William Hemming	21 Aug., 1877	Colonial Treasurer	300 0 0	1 May, 1865.
.....	George O'Donnell	29 April, 1869	Governor and Executive Council	150 0 0	1 Nov., 1866.
<i>succeeded by</i>					
Assistant Clerk	John Richard Evans	19 Sept., 1878	Ditto	150 0 0	12 July, 1875.
.....	John Richard Evans	12 July, 1875	Ditto	150 0 0	12 July, 1875.
<i>succeeded by</i>					
Clerks	Thomas E. Boland	19 Sept., 1878	Colonial Treasurer	150 0 0	19 June, 1875.
.....	Joseph F. Nash	1 Jan., 1878	Ditto	140 0 0	18 Nov., 1874.
.....	Edward A. Hill	1 Jan., 1878	Ditto	140 0 0	1 Feb., 1875.
.....	David McLachlan	1 Jan., 1878	Ditto	130 0 0	16 June, 1876.
.....	Maxwell Thomson	1 Jan., 1878	Ditto	130 0 0	15 Sept., 1875.
Foreman (1)	Ditto	125 0 0
Stationer (1)	Ditto	156 0 0
Messenger (1)	Ditto	110 0 0
Carter (1)	Ditto	114 0 0
Labourers (3)	Ditto	110 0 0	each.
¹ Allowed quarters, fuel, and light. ² To 19 September—resigned.					

Office.	Name.	Date of Appointment.	By whom appointed, and under what Instrument.	Annual Salary. £ s. d.	Date of first Appointment under the Colonial Government.
COLONIAL TREASURER—continued.					
PRINTING, BOOKBINDING, STAMPS, AND RAILWAY TICKETS.					
Government Printer, and Inspector of Postage Stamps Superintendent.	Thomas Richards ¹	1 June, 1859	Governor and Executive Council, by Commission	600 0 0	7 Feb., 1845.
Chief Clerk and Cashier	Charles Potter	17 June, 1859	Governor and Executive Council	450 0 0	22 Dec., 1851.
Accountant	George Kellick ²	9 Feb., 1860	Ditto	275 0 0	1 April, 1851.
Overseers	John Steel	18 Nov., 1875	Ditto	250 0 0	11 April, 1872.
	Geo. Stephen Chapman	7 Dec., 1874	Ditto	300 0 0	12 Jan., 1852.
Foreman of Bookbinding Branch.	Walter D'Arrietta	1 Mar., 1874	Ditto	300 0 0	1 July, 1847.
	Augustus Fredk. Furber	1 Mar., 1874	Ditto	300 0 0	5 Nov., 1860.
Foreman of Press Branch	George Alfred Thrum	15 Nov., 1860	Ditto	1300 0 0	— Nov., 1843.
Sub-overseers	Peter Buchanan	1 Mar., 1874	Ditto	275 0 0	25 Feb., 1852.
	Charles Griffiths	1 Oct., 1863	Ditto	260 0 0	7 Jan., 1852.
	John Waterman	1 Mar., 1874	Ditto	275 0 0	2 July, 1859.
	John Mercer	1 Jan., 1869	Ditto	275 0 0	7 May, 1855.
Publisher	John Stephen Lynch ³	27 Nov., 1876	Colonial Treasurer	250 0 0	25 July, 1851.
Clerks (Sale)	John Stephen Lynch ³	1 Jan., 1863	Governor and Executive Council	240 0 0	12 Jan., 1863.
	succeeded by Michael Cullen	11 June, 1878	Ditto	240 0 0	1 Oct., 1856.
	Charles Sydney Ormiston	2 May, 1873	Ditto	200 0 0	1 June, 1870.
	Gilbert Johnston	1 June, 1870	Ditto	200 0 0	1 July, 1864.
Computer Readers	Frederick Clinton Levinge ⁴	24 Dec., 1868	Ditto	150 0 0	1 July, 1864.
	succeeded by Frederick Carosso Dowsett	26 Sept., 1878	Colonial Treasurer	180 0 0	1 June, 1858.
	Charles W. Bloomfield	1 Mar., 1874	Governor and Executive Council	250 0 0	— June, 1854.
	Frederick Hosier	8 Oct., 1861	Ditto	255 0 0	4 May, 1853.
	Frederick James Ironside	25 Nov., 1861	Ditto	250 0 0	— Aug., 1847.
	Joseph John Spruson	12 Aug., 1864	Ditto	250 0 0	12 Aug., 1864.
Reviser	William M'Kern	1 Dec., 1875	Colonial Treasurer	200 0 0	9 Nov., 1857.
	Nathan Hollingworth	1 Oct., 1876	Ditto	200 0 0	5 Dec., 1859.
	Edward Dowling	11 Nov., 1872	Governor and Executive Council	225 0 0	4 Aug., 1856.
Entry Clerk and Store-keeper.	James Dutton	8 Feb., 1877	Colonial Treasurer	225 0 0	— July, 1854.
Compositors, Machinists, Pressmen, Bookbinders, Assistants, and others	(93)		Ditto	At rates varying from £275 a year to 7s. 6d. per diem.	
Improvers, Apprentices, Folders and Sewers, and others	(89)		Ditto	At rates varying from 1s. 6d. to 7s. per diem, according to length of service.	
STAMP BRANCH.					
Foreman	Abraham Western Chapman	1 Jan., 1857	Governor and Executive Council	300 0 0	1 Jan., 1857.
Printer	Allan Robertson	1 Jan., 1873	Colonial Treasurer	200 0 0	29 Oct., 1867.
Second Printer	Edwin H. Reeve	6 April, 1869	Ditto	175 0 0	31 Aug., 1863.
Assistants	Simeon Atkinson	1 Jan., 1857	Governor and Executive Council	150 0 0	18 Aug., 1856.
"	(2)		Colonial Treasurer	{ 1 at 150 0 0 1 at 0 8 0	per diem.
TICKET PRINTING.					
Foreman	James Ball	15 June, 1857	Commissioners under Railway Act	275 0 0	15 June, 1857.
Printer	James Huthnance	1 Jan., 1865	Governor and Executive Council	150 0 0	1 Jan., 1865.
PHOTO-LITHOGRAPHY AND LITHOGRAPHIC PRINTING.					
Photo-lithographer and Lithographic Printer.	John Sharkey	1 Jan., 1869	Colonial Treasurer	300 0 0	17 Aug., 1863.
Draftsman	Stephen Mallarky	1 April, 1870	Ditto	250 0 0	1 Nov., 1864.
Photographer			Ditto	250 0 0	
Assistant do.			Ditto	150 0 0	
Lithographic Printers			Ditto	0 9 0	per diem, each.
Assistants			Ditto	{ 1 at 0 7 0 1 at 0 6 0	"
WOODBURY AND OTHER PROCESSES.					
Operator	Ludovico W. Hart	24 Dec., 1877	Ditto	0 14 0	per diem.
Assistants	(2)		Ditto	{ 1 at 0 10 0 1 at 0 5 0	"

¹ Gives security as Inspector of Postage Stamps—Inspector £500, with two sureties, each £250.

² Finds security to the amount of £500.

³ To 31 May—resigned.

⁴ To 25 September—transferred to Treasury.

Office.	Name.	Date of Appointment.	By whom appointed, and under what Instrument.	Annual Salary. £ s. d.	Date of first Appointment under the Colonial Government.
COLONIAL TREASURER—continued.					
ORDNANCE AND BARRACK DEPARTMENT.					
Ordnance Storekeeper and Barrack Master.	Julien Thomas Blanchard ¹	10 Sept., 1875	Governor and Executive Council	300 0 0	15 Dec., 1862.
Assistant Ordnance Storekeeper.	Edwin Cyril Haviland ² succeeded by Charles Fredk. Bouverie Thirkell.	1 Oct., 1875 10 Aug., 1878	Ditto	225 0 0 225 0 0	1 Oct., 1875. 1 Oct., 1875.
Visiting Surgeon	Owen Spencer Evans	1 April, 1871	Ditto	50 0 0	21 Mar., 1861.
Inspector of Magazines.....	Thomas Rodgers ³	1 Oct., 1876	Ditto	200 0 0	30 Sept., 1868.
Clerks	William David May ⁴ succeeded by Charles Henry Harris..... Vivian William Williams	1 April, 1871 20 Feb., 1878 1 Dec., 1876	Ditto	150 0 0 150 0 0 100 0 0	27 Sept., 1870. 22 June, 1873. 1 Dec., 1876.
Foreman of Magazine, Spectacle Island.	Thomas James Brady ⁵	1 April, 1871	Ditto	175 0 0	1 April, 1871.
Foreman of Magazine, Goat Island. ⁵	Patrick M'Bride ⁶ succeeded by William Weldon	1 Oct., 1876 22 Aug., 1878	Ditto	145 0 0 145 0 0	1 Aug., 1872. — Feb., 1871.
Foreman, Ordnance Stores..	Edward Newman ⁵	1 April, 1871	Ditto	140 0 0	1 Nov., 1870.
Foreman, Magazine, Gulgong	James Sellman	9 Jan., 1875	Ditto	8s. 6d. per diem.	9 Jan., 1875.
Master of Steam-launch, "Sea Breeze."	Samuel Small ⁷	1 Oct., 1876	Ditto	150 0 0	— 1866.
Engineer, ditto	Thomas Crowley ⁸	28 Sept., 1876	Ditto	150 0 0	28 Sept., 1876.
Cooper (1) ⁵	Ditto	0 7 0	per diem.
Magazine Labourers (9) ⁵	Ditto	0 6 0	each.
Magazine Labourers, { (1) ⁹ Newcastle..... { (1) ⁷	Colonial Treasurer	0 6 0	"
Magazine Labourer, Gulgong. (1)	Ditto	0 6 0	"
Ordnance and Barrack Store Labourers (8). ¹⁰	Ditto	0 6 0	" "
Boatmen, Sydney (2).....	Ditto	0 7 0	" "
" Newcastle (2)	Ditto	0 1 0	" "
Messenger (1).....	Ditto	50 0 0	" "
Lamplighter (1).....	Ditto	0 1 0	" "
¹ Allowed a house, fuel, and light, and 3s. 6d. per diem in lieu of forage, and £50 per annum for extra duties. ² To 9 August—resigned. ³ Allowed £50 per annum in lieu of quarters. ⁴ To the 19th February. ⁵ Allowed quarters, fuel, and light, and 1s. per diem in lieu of rations. ⁶ To the 21st August. ⁷ Allowed fuel and light, and 1s. per diem in lieu of rations. ⁸ Allowed quarters, fuel, and light. ⁹ Allowed fuel, light, 1s per diem in lieu of a ration of provisions and £25 per annum for clerical duties. ¹⁰ One allowed quarters, fuel, and light.					
NOTE.—The floating Magazine at Newcastle is placed under Captain Allan, Harbour Master, who receives £50 per annum for supervision.					
HEALTH OFFICERS, &c.					
HEALTH OFFICER AND EMIGRATION OFFICER.					
Port Jackson	Haynes Gibbes Alleyne	20 July, 1852	Governor	600 0 0	11 May, 1848, to 14 Sept., 1849*
Clerk	Michael Farrelly	26 Mar., 1863	Governor and Executive Council	175 0 0	1 July, 1855*
Health Officer, Newcastle	Richard Harris ¹	23 Aug., 1875	Ditto	50 0 0	23 Aug., 1875.
Do. 'Twofold Bay	George Plunkett Keon ²	4 Aug., 1863	Ditto	Nil.	28 Dec., 1845.
¹ Allowed a fee of £1 1s. for each vessel boarded. ² Services not continuous.					
QUARANTINE.					
Overseer of Stores, and Superintendent of Quarantine, Spring Cove, Sydney Harbour.	John Carroll ¹	16 Nov., 1841	Governor	150 0 0	16 Nov., 1841.
Caretaker, Hospital Ship, "Far-a-way."		12 May, 1877	Colonial Treasurer	78 0 0	
Boatmen (2) ²	Colonial Treasurer	108 0 0	
¹ Allowed a house; also an allowance at the rate of 2s. 6d. per diem for serving out provisions during detention of vessels in quarantine. ² Allowed quarters.					
SHIPPING MASTERS.					
SYDNEY.					
Shipping Master	William Edgar Shorter ¹	25 May, 1866	Governor and Executive Council	400 0 0	15 Nov., 1855.
Chief Clerk and Deputy Shipping Master.	James Flanagan ² succeeded by John Parker.....	23 April, 1868 23 May, 1878	Ditto	350 0 0 250 0 0	1 Jan., 1854. 1 June, 1862.
Deputy Shipping Master	John Parker.....	1 June, 1862	Ditto	175 0 0	1 June, 1862.
First Clerk
Clerks	David Hill ¹	23 May, 1878	Ditto	175 0 0	14 April, 1862.
.....	James Thorpe	25 Mar., 1867	Ditto	150 0 0	25 Mar., 1867.
.....	William Foskett	2 July, 1877	Ditto	150 0 0	24 Jan., 1865.
.....	Samuel Cameron Reid ³ succeeded by Ernest H. Llewelyn	27 July, 1875 15 June, 1878	Ditto	100 0 0 100 0 0	27 July, 1875. 15 June, 1878.
(assistant).....	John H. K. Brown	1 Jan., 1877	Ditto	150 0 0	8 Feb., 1853.
Messenger (1)	Colonial Treasurer.....	150 0 0
Officekeeper (1) ⁴	Shipping Master	30 0 0
SHIPPING MASTER, NEWCASTLE.					
Shipping Master	Clarence H. Hannell	10 Mar., 1863	Governor and Executive Council	300 0 0	10 Mar., 1863.
Clerk	Jeremiah J. Mason	1 Aug., 1872	Ditto	150 0 0	1 Aug., 1865.
Boy Messenger (1)	50 0 0
¹ Gives security—self in £200, and two sureties in £100 each. ² To 8 March—deceased. ³ To 14 June—appointed to Treasury Department. ⁴ Allowed quarters and fuel.					

Office.	Name.	Date of Appointment.	By whom appointed, and under what Instrument.	Annual Salary.	Date of first Appointment under the Colonial Government.
				£ s. d.	
COLONIAL TREASURER—continued.					
MARINE BOARD OF NEW SOUTH WALES.					
President	Francis Hixson ¹	2 April, 1872	Administrator of Government and Executive Council.	650 0 0	1 Jan., 1863.
Members	Archibald McLean	1 April, 1878	Elected by Shipowners	109 10	8 Oct., 1873.
	John Broomfield	1 April, 1878	Ditto	109 10	2 April, 1872.
	Hugh Fairclough ²	1 April, 1878	Ditto	52 10	2 April, 1872.
	succeeded by				
	Benjamin Jenkins	1 Aug., 1878	Ditto	45 18	1 Aug., 1878.
	John Brown Watt (Vice-President).	2 April, 1872	Administrator of Government and Executive Council.	2 April, 1872.
	Thomas Watson	2 April, 1872	Ditto	109 10 1821.
	Henry T. Fox	15 Jan., 1875	Governor and Executive Council	109 10	23 Feb., 1859.
Secretary	George S. Lindeman	1 Mar., 1875	Ditto	400 0 0	26 April, 1872.
Engineer Surveyor, Inspector, and Examiner.	Henry Broderick ³	15 April, 1872	Administrator of Government and Executive Council.	500 to 28 Feb. 250 from 1 Mar.	10 Feb., 1853.
Assistant do.	Peter Hunter	1 Mar., 1878	Governor and Executive Council	250 0 0	1 Mar., 1878.
	William Cruickshank	13 May, 1874	Ditto	250 0 0	13 May, 1874.
Shipwright Surveyor and Inspector.	Richard Johnson	8 May, 1872	Administrator of Government and Executive Council.	300 0 0	11 Feb., 1862.
Examiner in Navigation and Pilotage.	John Limmex	20 June, 1876	Governor and Executive Council	200 0 0	20 June, 1876.
Examiner in Seamanship and Pilotage.	Thomas Birkenshaw	15 April, 1872	Administrator of Government and Executive Council.	175 0 0	15 April, 1872.
Inspector	Alexander Bell	2 April, 1872	Ditto	50 0 0	20 Oct., 1859.
Water Bailiff and Inspector	Isaac Lee	1 Feb., 1875	Governor and Executive Council	200 0 0	1 Mar., 1859.
Messenger (1)	2 April, 1872	Administrator of Government and Executive Council.	100 0 0
CLARENCE RIVER.					
Engineer Surveyor	Patrick L. Fraser	2 April, 1872	Administrator of Government and Executive Council.	37 16 0	30 June, 1866.
Shipwright do.	J. N. Schomberg	18 Aug., 1875	Governor and Executive Council	20 0 0	18 Aug., 1875.
MACLEAY RIVER.					
Engineer Surveyor	J. Rorison ⁴	1 April, 1874	Ditto	1 May, 1870.
	succeeded by				
Shipwright do.	John Fyffe	1 Sept., 1878	Ditto	2 2 0	15 Nov., 1876.
	A. Cockran	30 June, 1865	Ditto	1 10 0	30 June, 1865.
NEWCASTLE.					
Engineer Surveyor	D. S. Kirkwood ⁵	28 Aug., 1875	Ditto	27 6 0	1 Nov., 1864.
	succeeded by				
Shipwright do.	J. Rorison	1 Sept., 1878	Ditto	12 12 0	1 May, 1870.
	Thomas Brooks	18 Feb., 1871	Ditto	28 10 0	18 Feb., 1871.
SHOALHAVEN.					
Engineer Surveyor	Alexander Halkett	28 Aug., 1875	Ditto	28 Aug., 1875.
Shipwright do.	J. Johnson	23 Jan., 1866	Ditto	23 Jan., 1866.
PORT MACQUARIE.					
Engineer Surveyor	P. Fairweather	16 July, 1870	Ditto	16 July, 1870.
Shipwright do.	E. Kingsford	25 Oct., 1869	Ditto	26 June, 1858.
MANNING RIVER.					
Engineer Surveyor	J. Kennedy	29 Mar., 1877	Ditto	4 4 0	29 Mar., 1877.
Shipwright do.	J. M'Donald	26 Nov., 1873	Ditto	3 0 0	26 Nov., 1873.
CLYDE RIVER.					
Engineer Surveyor	W. Davidson	1 Jan., 1878	Ditto	2 2 0	1 Jan., 1878.
Shipwright do.	W. T. Piggott	22 July, 1876	Ditto	1 10 0	22 July, 1876.
RICHMOND RIVER.					
Engineer Surveyor	R. Murray	1 Jan., 1878	Ditto	6 6 0	1 Jan., 1878.
Shipwright do.	— Garran	1 Jan., 1878	Ditto	4 10 0	1 Jan., 1878.
LOCAL MARINE BOARD, NEWCASTLE.					
Harbour Master and Chairman.	David Tait Allan ⁶	1 Sept., 1858	Ditto	450 0 0	1 Sept., 1858.
Members	R. B. Wallace	1 July, 1873	Ditto	54 12 0	4 July, 1873.
	Herbert Cross	4 July, 1873	Ditto	54 12 0	4 July, 1873.
	C. F. Stokes	5 Feb., 1875	Ditto	54 12 0	18 Dec., 1873.
	E. A. White	5 Feb., 1875	Ditto	27 6 0	5 Feb., 1875.
Secretary and Inspector ..	W. F. Wetherill	18 July, 1873	Ditto	250 0 0	18 July, 1873.
Inspector	Alexander Collins	18 July, 1873	Ditto	50 0 0	17 Mar., 1864.
Inspector and Surveyor ..	A. Bertram	1 Oct., 1877	Ditto	200 0 0	1 Oct., 1877.
Boatman (1)	President	108 0 0
Messenger (1)	Ditto	108 0 0
SYDNEY.					
Harbour Master	John Richardson Myhill	1 July, 1864	Governor and Executive Council	350 0 0	24 Jan., 1854.
Assistant Harbour Masters	Alexander Bell	20 Oct., 1859	Ditto	300 0 0	20 Oct., 1859.
	Henry Pettit	1 June, 1877	Ditto	250 0 0	1 June, 1877.
Clerk and Accountant	Alfred Hinton	20 Oct., 1864	Ditto	250 0 0	14 May, 1855.
Clerk to Harbour Master ..	John Lawrence	21 Oct., 1864	Ditto	200 0 0	21 Oct., 1864.
Boatswain (1)	Colonial Treasurer	150 0 0
Boatmen (18)	Superintendent	{ 4 at 120 0 0 } { 14 at 108 0 0 }	each.

¹ Gives security—himself in £1,000, and two sureties in £500 each. ² To 30 June—deceased. ³ Absent on leave, from 1 March, on half pay. ⁴ To 31 August. ⁵ To 31 August. ⁶ Allowed quarters.

Office.	Name.	Date of Appointment.	By whom appointed, and under what Instrument.	Annual Salary.			Date of first Appointment under the Colonial Government.
				£	s.	d.	
COLONIAL TREASURER—MARINE BOARD OF NEW SOUTH WALES—continued.							
LIGHT-HOUSE, SOUTH HEAD							
Superintendent	Joseph Siddins ¹	1 Jan., 1846	Governor	180	0	0	1 Jan., 1846.
Assistant Lightkeepers (2) ²			Colonial Treasurer	96	0	0	each.
HORNBY LIGHT-HOUSE.							
Superintendent	William May ²	1 Feb., 1875	Governor and Executive Council	180	0	0	12 May, 1874.
Lightkeepers (2) ²			Colonial Treasurer	96	0	0	each.
LIGHT-SHIP "BRAMBLE."							
Superintendent ²	Robert Lambert ³	24 May, 1877	Governor and Executive Council	180	0	0	1 Oct., 1859.
	succeeded by						
Lightkeepers (4) ²	Henry Hoadley	5 Nov., 1878	Ditto	180	0	0	1 Mar., 1859.
			Colonial Treasurer	96	0	0	each.
LIGHT-HOUSE, CAPE ST. GEORGE.							
Superintendent	Henry Gibson ¹	18 Sept., 1873	Governor and Executive Council	180	0	0	8 May, 1858.
Lightkeepers (2) ²			Colonial Treasurer	96	0	0	each.
LIGHT-HOUSE, PORT STEPHENS.							
Superintendent	James Priest ¹	1 Sept., 1875	Governor and Executive Council	180	0	0	13 Feb., 1862.
Lightkeepers (2) ²			Colonial Treasurer	96	0	0	each.
LIGHT-HOUSE, NEWCASTLE.							
Superintendent	Jesse Hannell ²	1 Jan., 1858	Governor and Executive Council	250	0	0	1 Jan., 1858.
Lightkeepers (2) ²			Colonial Treasurer	96	0	0	each.
FORT DENISON LIGHT.							
Lightkeeper (1) ²			Ditto	96	0	0	
BARRENJUEY LIGHT.							
Lightkeeper	George Mulhall ²	9 July, 1868	Ditto	144	0	0	9 July, 1868.
Assistant ditto (1) ⁴			Ditto	96	0	0	
WOLLONGONG LIGHT.							
Lightkeepers (2) ⁴			Ditto	108	0	0	each.
ULLADULLA LIGHT.							
Lightkeeper	William Gambell ⁴	1 Mar., 1872	Administrator of Government and Executive Council.	144	0	0	1 Mar., 1872.
NELSON'S BAY.							
Lightkeeper	William Glover ⁴	21 Oct., 1869	Colonial Treasurer	96	0	0	21 Oct., 1869.
LIGHT-HOUSE, SEAL ROCKS.							
Superintendent	Henry Hoadley ⁵	1 Sept., 1875	Governor and Executive Council	180	0	0	1 Mar., 1859.
	succeeded by						
Lightkeepers (2)	D. Watson	5 Nov., 1878	Ditto	180	0	0	
			Colonial Treasurer	96	0	0	each.
SYDNEY.							
Sea Pilots	Robert Cork	16 Aug., 1867	Governor and Executive Council	350	0	0	16 Aug., 1867.
	Alexander Coutts	16 Aug., 1867	Ditto	350	0	0	16 Aug., 1867.
	David Christison	1 Feb., 1868	Ditto	350	0	0	1 Feb., 1868.
	Andrew William Jack	20 Aug., 1870	Ditto	350	0	0	20 Aug., 1870.
	Joseph Creer	1 Nov., 1873	Ditto	350	0	0	1 Nov., 1873.
PILÓT STEAMER "CAPTAIN COOK."							
Master	Charles Smith ²	17 Nov., 1875	Ditto	400	0	0	17 Nov., 1875.
Mate	William Firth ²	24 June, 1876	Ditto	200	0	0	24 June, 1876.
2nd Mate	E. D. Maides ²	1 Nov., 1876	Ditto	150	0	0	1 Nov., 1876.
1st Engineer	E. Broderick ³	1 Feb., 1877	Ditto	240	0	0	1 Feb., 1877.
2nd Engineer	W. Williams ²	1 Feb., 1877	Ditto	168	0	0	1 Feb., 1877.
Firemen (4) ²			President	132	0	0	each.
Boatmen (10) ²			Ditto	108	0	0	"
Lookout-men (2)			Ditto	108	0	0	"
Cook and Provedore (1) ²			Ditto	108	0	0	"
TWOFOLD BAY.							
Harbour Master	Bourne Russell, junior ⁶	1 Aug., 1860	Governor and Executive Council	250	0	0	1 Aug., 1860.
Boatmen (4) ⁶			Superintendent	108	0	0	each.
NEWCASTLE.							
Assistant Harbour Master	Alexander Collins ⁷	1 Jan., 1869	Governor and Executive Council	250	0	0	17 Mar., 1864.
Pilots ⁷	James Taylor	9 Sept., 1858	Ditto	250	0	0	9 Sept., 1858.
	G. Melville	1 Aug., 1873	Ditto	250	0	0	1 Aug., 1873.
	Joseph H. Dagwell	21 Mar., 1864	Ditto	250	0	0	20 Oct., 1863.
	David Powell	1 Oct., 1873	Ditto	250	0	0	10 July, 1859.
	J. Bain	12 May, 1873	Ditto	250	0	0	12 May, 1873.
	Henry Newton	1 Oct., 1873	Ditto	250	0	0	1 Oct., 1873.
Carpenter (1) ⁷			Colonial Treasurer	140	0	0	
Boatmen (20) ⁷			Superintendent	108	0	0	each.

¹ Allowed quarters, fuel, and light, and forage for a horse.

² Allowed quarters, fuel, and light.

³ To 4 November.

⁴ Allowed quarters and light.

⁵ To 4 November.

⁶ Allowed light.

⁷ Allowed quarters.

NEW SOUTH WALES—1878.

79.

Office.	Name.	Date of Appointment.	By whom appointed, and under what Instrument.	Annual Salary.	Date of first Appointment under the Colonial Government.
				£ s. d.	
COLONIAL TREASURER—MARINE BOARD OF NEW SOUTH WALES—continued.					
Pilot, Richmond River	George R. Easton ¹	1 April, 1855	Governor	175 0 0	1 April, 1855.
Boatmen (6) ¹			Superintendent	120 0 0	each.
Pilot, Clarence River	Francis Freeburn ¹	10 Jan., 1854	Governor	175 0 0	10 Jan., 1854.
Boatmen (5) ¹			Superintendent	108 0 0	each.
Pilot, Macleay River	John Burrows Garrard ¹	3 Aug., 1864	Governor and Executive Council	175 0 0	12 Nov., 1862.
Boatmen (4) ¹			Superintendent	108 0 0	each.
Pilot, Manning River	John Muir ¹	16 April, 1875	Governor and Executive Council	175 0 0	16 April, 1875.
Boatmen (5) ¹			Superintendent	108 0 0	each.
Pilot, Port Macquarie	Edward St. A. Kingsford ¹	26 June, 1858	Governor and Executive Council	175 0 0	26 June, 1858.
Boatmen (5) ¹			Superintendent	108 0 0	each.
Pilot, Moruya	Robert Mossman Trarent ¹	1 April, 1871	Governor and Executive Council	175 0 0	1 April, 1871.
Boatmen (2) ¹			Superintendent	108 0 0	each.
Pilot, Bellinger River	Thomas Stewart ¹	23 July, 1868	Governor and Executive Council	175 0 0	23 July, 1868.
Boatmen (4) ¹			Superintendent	108 0 0	each.
Pilot, Tweed River	William M'Gregor ¹	17 June, 1870	Governor and Executive Council	175 0 0	17 June, 1870.
Boatmen (5) ¹			Superintendent	108 0 0	each.
Pilot, Wollongong	Robert Houslar ¹	2 July, 1867	Governor and Executive Council	175 0 0	2 July, 1867.
Pilot, Shoalhaven	John Craig ¹	10 Oct., 1872	Ditto	175 0 0	10 Oct., 1872.
Boatmen (4) ¹			Superintendent	108 0 0	each.
Pilot, Nambucca	W. J. Whaites ¹	13 May, 1874	Governor and Executive Council	175 0 0	13 May, 1874.
Boatmen (2) ¹			Superintendent	108 0 0	each.
Pilot, Camden Haven	J. Leonard ¹	10 July, 1878	Ditto	175 0 0	10 July, 1878.
Boatmen (2) ¹			President	108 0 0	each.
Pilot in charge of Moorings, Kiama.	T. Tullock	1 Sept., 1872	Governor and Executive Council	25 0 0	1 Sept., 1872.
Pilot in charge of Moorings, Gerringong.	H. W. Lee ²	1 Jan., 1878	Ditto	25 0 0	1 Jan., 1878.
	succeeded by				
	J. Sharpe	1 Dec., 1878	Ditto	25 0 0	1 Dec., 1878.
Pilot in charge of Moorings, Shellharbour.	T. D. Hoy	1 Nov., 1876	Ditto	25 0 0	1 Nov., 1876.
Pilot in charge of Moorings, Tathra.	C. Meyer	1 Jan., 1878	Ditto	25 0 0	1 Jan., 1878.
Signal Stations—					
Signal Master, Fort Phillip	George J. Moffitt ³	1 Jan., 1863	Ditto	200 0 0	8 May, 1858.
Assistant	Charles Hanson ¹	1 Jan., 1865	Colonial Treasurer	96 0 0	1 Mar., 1863.
Signal Master, South Head	James Graham ³	10 Feb., 1852	Governor	180 0 0	15 Oct., 1847.
Junior Operator	Sydney L. Moffitt ⁴	18 Sept., 1873	Colonial Treasurer	100 0 0	18 Sept., 1873.
	succeeded by				
	J. Frances ³	1 Feb., 1878	President	100 0 0	1 Feb., 1878.
Telegraph Operators—					
Port Stephens	J. Priest ⁵	1 Sept., 1875	Colonial Treasurer	26 0 0	13 Sept., 1862.
Nelson's Bay	William Glover ⁵	21 Oct., 1869	Ditto	52 0 0	21 Oct., 1869.
Port Office	John Lawrence	1 Jan., 1870	Ditto	52 0 0	21 Oct., 1864.
Signal Master, Cape Hawke	J. Pennington ¹	1 June, 1874	Ditto	100 0 0	1 June, 1874.
Assistant Signal Master, Newcastle.	J. Oldfield ¹	1 Aug., 1876	Ditto	96 0 0	1 Aug., 1876.

¹ Allowed quarters. ² To the 30 November. ³ Allowed quarters, fuel, and light. ⁴ To the 31 January. ⁵ Allowed quarters and light.

GLEBE ISLAND ABATTOIR.

Inspector	Frederick Oatley ¹	27 Aug., 1860	Governor and Executive Council	300 0 0	21 June, 1849.
Assistant Inspector	Joseph Jager ²	8 April, 1867	Ditto	150 0 0	8 April, 1867.
Engine Driver (1) ²			Minister for Works	120 0 0	
Labourers (3)			Colonial Treasurer	100 0 0	
Jobbing Carpenter (1)			Ditto	80 0 0	
				110 0 0	

¹ Allowed £50 per annum in lieu of forage for a horse. Gives security for £1,000. ² Allowed a house. ³ Each allowed a house.

BOARD FOR INSPECTING AND MAINTAINING THE SUPPLY OF COLONIAL WARLIKE STORES.

President	Colonel John Soame Richardson	1 Jan., 1870	Governor and Executive Council		17 Feb., 1865.
Members	Colonel Charles F. Roberts	1 Dec., 1876	Ditto		1 Jan., 1873.
	Captain Francis Hixson	1 Jan., 1870	Ditto		1 Jan., 1863.
	Edward Orpen Moriarty	1 Jan., 1870	Ditto		1 May, 1849.
	Major George John Airey	24 Jan., 1872	Ditto		1 Aug., 1871.
	Julien Thomas Blanchard	20 July, 1876	Ditto		15 Dec., 1862.
Secretary	Edwin Cyril Haviland ¹	20 July, 1876	Ditto		1 Oct., 1875.
	succeeded by				
	Charles F. B. Thirkell	10 Aug., 1878	Ditto		1 Oct., 1875.

¹ To the 9 August—resigned.

IMPERIAL PENSION OFFICE.

Paymaster	George Evans Labertouche ¹	1 Oct., 1872	Governor and Executive Council	300 0 0	1 Oct., 1872.
Clerk	Thomas Godbolt	1 Oct., 1877	The Colonial Treasurer	75 0 0	10 July, 1870.

¹ Allowed two rooms. Gives security to the amount of £1,000.

BLUE BOOK OF

Office.	Name.	Date of Appointment.	By whom appointed, and under what instrument.	Annual Salary.	Date of first Appointment under the Colonial Government.	
				£ s. d.		
COLONIAL TREASURER—continued.						
BOARD OF PHARMACY.						
President	Haynes Gibbes Alleyne, M.D.	19 Sept., 1876	Governor and Executive Council		11 May, 1848, to 14 Sept., 1849.*	
Members.....	William Townley Pinhey ¹ ..	19 Sept., 1876	Ditto	Nil.	19 Sept., 1876.	
	John Watson	19 Sept., 1876	Ditto		19 Sept., 1876.	
	Alfred Joseph Watt	19 Sept., 1876	Ditto		19 Sept., 1876.	
	John Hamilton	2 Oct., 1877	Ditto		2 Oct., 1877.	
	Frank Senior	19 Sept., 1876	Ditto		19 Sept., 1876.	
	William Felmingham	13 June, 1877	Ditto		13 June, 1877.	
	Mark Henry Long	19 Sept., 1876	Ditto		19 Sept., 1876.	
	John S. Abraham	Sept., 1878	Ditto		Sept., 1878.	
Secretary and Registrar.....	William Gritton ²	2 Oct., 1876	Ditto		100 0 0	2 Oct., 1876.
	succeeded by William Townley Pinhey...	6 Sept., 1878	Ditto		100 0 0	19 Sept., 1876.
	¹ Appointed Secretary.	² To 5 September—Deceased.	[*] Services not continuous.			

PART VIII.

Secretary for Lands,

AND THE

DEPARTMENTS UNDER HIS SUPERVISION AND CONTROL.

SUMMARY.

	PAGE.
Lands	82
Survey of Lands	84
Inspector of Crown Land Offices	87
Agents for the Sale of Crown Lands	87
Botanic Gardens, &c.	89
Oyster-beds—Inspector of	89
Church and School Estates	89
Court of Claims	89
Board for opening Tenders for Runs	89
Hyde Park Improvement Committee (to 7 October)	89
Hyde, Phillip, and Cook Parks Trustees (from 8 October)	90
Commission for the purpose of inquiring into and reporting upon the working and administration of the Lands and Survey Departments	90

BLUE BOOK OF
SECRETARY FOR LANDS.

Office.	Name.	Date of Appointment.	By whom appointed, and under what Instrument.	Annual Salary.	Date of first Appointment under the Colonial Government.
				£ s. d.	
LANDS.					
Secretary for Lands	James Squire Farnell	18 Dec., 1877	Governor and Executive Council, by Commission.	1,500 0 0	14 May, 1872.*
	succeeded by				
	James Hoskins.....	21 Dec., 1878	Ditto	1,500 0 0	18 Feb., 1863.*
Under Secretary.....	William Wilberforce Stephen.	1 Oct., 1870	Ditto	800 0 0	1 July, 1852.
Clerks	Henry Ludlow Osborne Rich.	9 Oct., 1856	Governor and Executive Council	400 0 0	25 Oct., 1851.
	Lindsay George Thompson	1 Jan., 1867	Ditto	400 0 0	8 Feb., 1853.
	Charles Alton Thurlow ...	1 Jan., 1867	Ditto	350 0 0	9 July, 1857.
	Thomas Hector Johnson ¹ ..	25 Mar., 1862	Ditto	350 0 0	25 Mar., 1862.
				to 30 June. 300 0 0	
				from 1 July.	
	Charles A. Brown	13 Oct., 1862	Ditto	350 0 0	13 Oct., 1862.
	William Conway Edwards	1 Jan., 1867	Ditto	300 0 0	1 Oct., 1865.
				to 30 June. 350 0 0	
				from 1 July.	
	Faithful William Croft ...	1 Jan., 1867	Ditto	300 0 0	23 Feb., 1863.
	Edmund Bell ²	1 Mar., 1871	Ditto	300 0 0	21 Aug., 1868.
(and Accountant)...	James P. Croft.....	1 Oct., 1875	Ditto	300 0 0	1 Oct., 1875.
	Edward Patterson	1 Jan., 1867	Ditto	250 0 0	1 Jan., 1866.
				to 6 April. 300 0 0	
				from 7 April.	
	Frederick Williams	1 Jan., 1867	Ditto	250 0 0	15 Jan., 1865.
				to 21 Nov. 300 0 0	
				from 22 Nov.	
	Frank Williams	1 Jan., 1867	Ditto	250 0 0	1 Jan., 1866.
	Thomas P. Banks.....	11 Feb., 1867	Ditto	250 0 0	11 Feb., 1867.
	Robert Henry Ormiston...	1 Aug., 1871	Ditto	250 0 0	18 Jan., 1871.
	John Edwards ³	1 May, 1872	Ditto	250 0 0	1 May, 1872.
	Thomas E. L. Newman ...	1 July, 1869	Ditto	250 0 0	1 July, 1869.
	John G. Blaxland	1 Mar., 1871	Ditto	250 0 0	1 July, 1869.
	Harris Curry	14 Nov., 1871	Ditto	250 0 0	14 Nov., 1871.
	William Henry Tunks.....	1 Oct., 1872	Ditto	200 0 0	29 Aug., 1872.
				to 6 April. 250 0 0	
				from 7 April.	
	Joseph D. Donovan.....	29 Aug., 1872	Ditto	200 0 0	29 Aug., 1872.
				to 30 June. 250 0 0	
				from 1 July.	
	Nathaniel Wallis	12 Oct., 1872	Ditto	200 0 0	12 Oct., 1872.
				to 21 Nov. 250 0 0	
				from 22 Nov.	
	Claude Arnold	1 Nov., 1873	Ditto	200 0 0	1 Nov., 1873.
	Hubert P. Rich	24 July, 1871	Ditto	200 0 0	24 July, 1871.
	Alfred Salwey	1 July, 1875	Ditto	200 0 0	1 July, 1875.
	Hubert Dillon ⁴	1 July, 1877	Ditto	200 0 0	1 Jan., 1873.
	John G. Neale	7 July, 1874	Ditto	150 0 0	7 July, 1874.
				to 6 April. 200 0 0	
				from 7 April.	
	H. R. Hore ⁵	13 Sept., 1876	Ditto	150 0 0	15 July, 1875.
	James M'Guinn	22 Aug., 1876	Ditto	150 0 0	3 June, 1876.
				to 30 June. 200 0 0	
				from 1 July.	
	James T. Evans	22 Aug., 1876	Ditto	150 0 0	9 Sept., 1875.
				to 12 Aug. 200 0 0	
				from 13 Aug.	
	O. A. C. Boot	22 Aug., 1876	Ditto	150 0 0	15 June, 1876.
				to 21 Nov. 200 0 0	
				from 22 Nov.	
	Prosper De Mestre	22 Aug., 1876	Ditto	150 0 0	4 July, 1876.
	William H. Adams	19 Mar., 1877	Ditto	150 0 0	1 Jan., 1876.
	G. H. Gibson ⁶	1 Jan., 1877	Ditto	150 0 0	26 June, 1876.
	J. N. Devlin.....	1 Jan., 1877	Ditto	150 0 0	1 Jan., 1874.
	C. B. Johnson	1 Jan., 1877	Ditto	100 0 0	11 Sept., 1876.
				to 6 April. 150 0 0	
				from 7 April.	
	James Bede Toohar.....	1 July, 1878	Ditto	150 0 0	6 Aug., 1877.
	C. Helm	1 Jan., 1877	Ditto	100 0 0	25 Sept., 1876.
				to 5 July. 150 0 0	
				from 6 July.	

¹ To 21 November—resigned.² To 6 April—deceased.³ To 30 June—appointed Appraiser.⁴ To 12 August.⁵ To 5 July—resigned.⁶ To 30 June—transferred to Temporary Staff.

* Services not continuous.

NEW SOUTH WALES—1878.

83

Office.	Name.	Date of Appointment.	By whom appointed, and under what Instrument.	Annual Salary. £ s. d.	Date of first Appointment under the Colonial Government.
SECRETARY FOR LANDS—continued.					
Clerks— <i>continued</i>	M. A. O'Brien	1 July, 1878	Governor and Executive Council	100 0 0	27 Sept., 1877.
				to 12 Aug. 150 0 0	
	Herbert Phillips	1 July, 1878	Ditto	from 13 Aug. 100 0 0	26 Mar., 1878.
				to 21 Nov. 150 0 0	
	John Dalton.....	1 July, 1878	Ditto	from 22 Nov. 100 0 0	1 Dec., 1877.
Messengers (6)				1 at 150 0 0	
				1 at 125 0 0	
				2 at 115 0 0	each.
				2 at 100 0 0	"
Office-keepers (3)				1 at 75 0 0	"
				2 at 46 0 0	"
Watchman (1)				125 0 0	"
				1 at 0 19 2	per diem
				6 at 0 17 6 $\frac{1}{2}$	" each.
				1 at 0 17 6	"
				3 at 0 15 11 $\frac{1}{2}$	" "
Temporary Clerks (45)			Secretary for Lands.....	8 at 0 12 6	" "
				1 at 0 10 6	" "
				16 at 0 10 0	" "
				1 at 0 8 6	" "
				7 at 0 7 6	" "
				1 at 0 4 9 $\frac{1}{2}$	" "
Temporary Messenger (1)...				0 4 9 $\frac{1}{2}$	" "
Commissioners of Con- ditional Purchases. ¹	Whittingdale Johnson	28 Oct., 1878		0 4 9 $\frac{1}{2}$	
	George O'Malley Clarke.....				10 July, 1849.
	Henry Burne				10 Jan., 1854.
	Thomas J. Hawkins				25 May, 1847.
	Henry J. Bolding	1 Sept., 1875	Governor and Executive Council	500 0 0	18 May, 1871.
	Johnson G. King				22 Feb., 1866.
	Alfred C. S. Rose				24 Nov., 1861.
	John Delaney				12 Aug., 1855.
	Sydney Blythe	17 Sept., 1875	Ditto		1 Sept., 1875.
Inspectors of Conditional Purchases. ²	Joseph C. Page.....	17 Sept., 1875	Ditto	500 0 0	21 Oct., 1858.
	Philip W. Street	15 April, 1874	Ditto	350 0 0	17 Sept., 1875.
	William Harper	17 Mar., 1877	Ditto	350 0 0	15 April, 1874.
	R. C. Franks	9 Mar., 1875	Ditto	350 0 0	17 Mar., 1877.
	Thomas Argent	16 April, 1874	Ditto	350 0 0	9 Mar., 1875.
	John Wild ³	17 Sept., 1875	Ditto	350 0 0	16 April, 1874.
	Dudley Keele ⁴	1 Sept., 1875	Ditto	350 0 0	13 Oct., 1873.
	Harry V. Geary	11 Oct., 1875	Ditto	350 0 0	1 Sept., 1875.
	Robert C. Lord ⁵	1 Sept., 1875	Ditto	350 0 0	11 Oct., 1875.
	George Smith	11 Oct., 1875	Ditto	350 0 0	1 Sept., 1875.
	Edwin Evans	1 Sept., 1876	Ditto	350 0 0	11 Oct., 1875.
	Charles Cropper	1 Sept., 1876	Ditto	350 0 0	2 May, 1876.
	Frederick Trollope	1 Sept., 1876	Ditto	350 0 0	25 Feb., 1876.
Temporary Inspectors of Conditional Purchases (14).			Secretary for Lands	3 at 350 0 0	each.
				11 at 0 10 6	for every case reported on.
Appraisers under the Crown Lands Regulations of 21 Sept., 1876. ⁶	James Downes Wood ⁷	11 Oct., 1876	Secretary for Lands.....	150 0 0	11 Oct., 1876.
	Joseph Rebello	11 Oct., 1876	Ditto	150 0 0	11 Oct., 1876.
	Morris Asher ⁸	11 Oct., 1876	Ditto	150 0 0	11 Oct., 1876.
	John Rowlandson ⁹	11 Oct., 1876	Ditto	150 0 0	11 Oct., 1876.
	Frederick T. Walker	25 May, 1878	Ditto	150 0 0	25 May, 1878.
	Reginald Beauchamp York	18 June, 1878	Ditto	150 0 0	18 June, 1878.
	John Edwards	1 July, 1878	Ditto	150 0 0	1 May, 1872.
	Dudley Keele	1 Nov., 1878	Ditto	150 0 0	1 Sept., 1875.*
CONDITIONAL SALES BRANCH. Chief Commissioner of Con- ditional Sales.	Abram Orpen Moriarty	1 Jan., 1877	Ditto	700 0 0	10 Jan., 1846*
Clerks	William Blackman	14 June, 1859	Governor and Executive Council	450 0 0	14 June, 1859.
	Charles Edward Neate	1 Jan., 1867	Ditto	350 0 0	1 Jan., 1859.
	Charles Edward Phillips...	1 Jan., 1868	Ditto	300 0 0	10 Jan., 1859.
	Henry Stephen Harpur	1 Jan., 1867	Ditto	300 0 0	2 Oct., 1863.
	John Wiseman	1 Jan., 1867	Ditto	300 0 0	8 April, 1863.
	Henry A. Fitzpatrick	18 July, 1870	Ditto	300 0 0	15 Oct., 1866.
	Theodore Horton	1 Sept., 1873	Ditto	250 0 0	14 Aug., 1871.
	William M'Donald	23 Nov., 1871	Ditto	250 0 0	23 Nov., 1871.
	Edye H. Stobo	10 Nov., 1874	Ditto	200 0 0	15 July, 1872.
	Charles Cope	1 Oct., 1872	Ditto	200 0 0	1 Oct., 1872.
	William H. Capper	1 Jan., 1874	Ditto	200 0 0	1 Jan., 1874.
	Major Lackey	1 Dec., 1873	Ditto	200 0 0	1 Dec., 1873.
	J. R. M'Donald	1 Feb., 1873	Ditto	200 0 0	1 Feb., 1873.

¹ Each allowed 30s. per diem travelling expenses when absent from head quarters on duty.² To 31 December—resigned.³ To 31 August—removed; afterwards appointed Appraiser.⁴ To 6 February—⁵ To 15th May—dismissed.⁶ Each allowed £150 per annum for travelling expenses, and a fee of 10s. 6d. for each case when disposed of.⁷ To 30 June—removed.⁸ To 31 July—appointed Temporary Inspector of Conditional Purchases.

* Services not continuous.

Office.	Name.	Date of Appointment.	By whom appointed, and under what Instrument.	Annual Salary.			Date of first Appointment under the Colonial Government.
				£	s.	d.	
SECRETARY FOR LANDS—continued.							
CONDITIGNAL SALES BRANCH—continued.							
Clerks—continued.....							
	John T. Locke.....	20 Sept., 1875	Governor and Executive Council	200	0	0	20 Sept., 1875.
	William Ardill.....	5 May, 1871	Ditto.....	200	0	0	5 May, 1871.
	James Bailie.....	12 Nov., 1874	Ditto.....	150	0	0	12 Nov., 1874.
	S. F. F. Milford ¹	15 April, 1875	Ditto.....	150	0	0	15 April, 1875.
	Vere Hunt.....	1 Mar., 1878	Ditto.....	150	0	0	17 Sept., 1863.
	Thomas Ward.....	22 Aug., 1876	Ditto.....	150	0	0	19 April, 1875.
	Frederick G. Bremer.....	22 Aug., 1876	Ditto.....	150	0	0	12 Nov., 1874.
	E. Haynes.....	14 Dec., 1877	Ditto.....	150	0	0	26 June, 1873.
	A. B. Crew.....	1 Oct., 1876	Ditto.....	150	0	0	3 Sept., 1875.
	John W. Pidgeon.....	25 Sept., 1876	Ditto.....	150	0	0	25 Sept., 1876.
	J. P. M'Guanne.....	1 Jan., 1877	Ditto.....	150	0	0	7 April, 1876.
	J. R. Yorke.....	1 Jan., 1877	Ditto.....	150	0	0	18 May, 1876.
	F. Smith.....	1 Jan., 1877	Ditto.....	150	0	0	1 April, 1876.
	G. J. Neale.....	22 Aug., 1876	Ditto.....	150	0	0	9 Sept., 1875.
	C. Dillon.....	1 Jan., 1877	Ditto.....	150	0	0	14 Sept., 1876.
	F. M. Harpur.....	1 Jan., 1877	Ditto.....	150	0	0	7 April, 1876.
	G. S. Ridley.....	1 Jan., 1877	Ditto.....	150	0	0	25 Sept., 1876.
	J. R. R. Miles.....	1 July, 1878	Ditto.....	150	0	0	1 July, 1875.
	William Sturrock.....	1 Sept., 1878	Ditto.....	100	0	0	21 Sept., 1876.
				1	at	17/6 $\frac{1}{2}$ per diem	
				2	at	15/11 $\frac{1}{2}$ "	each.
				2	at	12/6 "	"
				1	at	10/6 "	"
Temporary Clerks (25).....			Secretary for Lands.....	7	at	10/ "	"
				6	at	7/6 "	"
				1	at	6/4 $\frac{1}{2}$ "	"
				1	at	6/ "	"
Temporary Messenger (1)...			Ditto.....	2	at	5/ "	"
				2	at	3/2 $\frac{1}{4}$ "	"

¹ To 28 February—exchanged appointments with Mr. Hunt, of the Executive Council Office.

SURVEY OF LANDS.

Surveyor General.....	Philip Francis Adams ¹	17 Mar., 1868	Governor and Executive Council	1,000	0	0	19 Sept., 1857.
Deputy Surveyor General...	Robert David Fitzgerald...	1 Jan., 1873	Ditto.....	900	0	0	1 Aug., 1856.
District Surveyors.....	Edward Fisher ²	1 Jan., 1863	Ditto.....	730	0	0	1 Feb., 1858.
	Edward Twynam ³	1 Jan., 1863	Ditto.....	730	0	0	24 Nov., 1855.
	William Albert Braylesford Greaves ⁴	25 May, 1863	Ditto.....	730	0	0	15 Feb., 1853.
	James Holbrook Wood ⁵	1 Aug., 1866	Ditto.....	730	0	0	1 Dec., 1860.
	Thomas Evans.....	1 Dec., 1871	Ditto.....	730	0	0	1 July, 1860.
	Arthur Dewhurst ⁶	1 Jan., 1875	Ditto.....	730	0	0	8 June, 1858.
	Constantine Francis Bolton	1 Jan., 1875	Ditto.....	730	0	0	10 April, 1860.
	Edward Henry Arnheim ² ...	7 June, 1875	Ditto.....	730	0	0	24 July, 1864.
	James Campsie Dalglish.....	7 June, 1875	Ditto.....	730	0	0	5 June, 1867.
	Arthur Charles Betts ²	7 June, 1875	Ditto.....	730	0	0	1 May, 1868.
	Patrick Riddle Donaldson ⁹	1 Jan., 1876	Ditto.....	730	0	0	1 Dec., 1864.
	Francis Benson William Woolrych.	1 Oct., 1877	Ditto.....	730	0	0	1 June, 1855.*
1st Class Surveyors.....	Henry Vansittart Evans ⁷ ...	1 Jan., 1874	Ditto.....	630	0	0	1 May, 1868.
	Joseph Wilter Allworth.....	1 Jan., 1875	Ditto.....	630	0	0	1 Aug., 1863.
	Francis George Finley ²	1 Jan., 1875	Ditto.....	630	0	0	29 Jan., 1874.
	Henry Augustus Crouch.....	1 Jan., 1875	Ditto.....	630	0	0	1 Feb., 1874.
	Robert John Campbell ⁸	1 Jan., 1875	Ditto.....	630	0	0	14 Oct., 1863.
	John Williams Deering.....	1 Aug., 1866	Ditto.....	630	0	0	18 Feb., 1863.
	Thomas Henry Smith ⁹	22 Aug., 1876	Ditto.....	630	0	0	1 Sept., 1864.
	Thomas James Chamberlain	1 Oct., 1877	Ditto.....	630	0	0	19 Jan., 1872.
	Adelbert Schleicher.....	1 Oct., 1877	Ditto.....	630	0	0	23 Jan., 1873.
	Charles Howard Wansbrough.	1 Oct., 1877	Ditto.....	630	0	0	1 Aug., 1875.
	George Henry Sheaffe.....	21 May, 1878	Ditto.....	630	0	0	21 May, 1878.
	Robert M'Donald.....	1 July, 1878	Ditto.....	630	0	0	22 July, 1870.
	James Thomas Atchison.....	1 Sept., 1878	Ditto.....	630	0	0	1 April, 1867.
2nd Class Surveyors.....	Robert M'Donald ¹⁰	22 Nov., 1875	Ditto.....	530	0	0	22 July, 1870.
	James Thomas Atchison ¹⁰ ...	22 Dec., 1875	Ditto.....	530	0	0	1 April, 1867.
	Colin James M'Master ⁴	1 Oct., 1876	Ditto.....	530	0	0	1 Oct., 1876.
	Cunningham Archibald Atchison. ¹¹	22 Aug., 1876	Ditto.....	530	0	0	22 Aug., 1876.
	Edward MacFarlane.....	1 Oct., 1877	Ditto.....	530	0	0	22 Nov., 1865.
	William Henry O'Malley Wood.	1 Oct., 1877	Ditto.....	530	0	0	1 Oct., 1877.
	Chas. Joseph Metcalfe.....	8 Mar., 1878	Ditto.....	530	0	0	8 Mar., 1878.
	William Orr.....	21 May, 1878	Ditto.....	530	0	0	21 May, 1878.
	Edwin Guthridge Vickery	21 May, 1878	Ditto.....	530	0	0	21 May, 1878.
	James Lambert Tritton.....	3 July, 1878	Ditto.....	530	0	0	21 May, 1878.

¹ Allowed £100 per annum in lieu of forage. Gives security to the amount of £200. ² Allowed £50 per annum in lieu of forage. ³ Allowed twelve months leave of absence from the 1 April. ⁴ Allowed £12 10s. for forage. ⁵ Allowed £25 for forage. ⁶ Allowed £16 13s. 4d. for forage. ⁷ To 30 June—deceased. ⁸ Allowed £25 for forage. To 31 August—resigned. ⁹ Allowed £41 13s. 4d. for forage. ¹⁰ Promoted. ¹¹ Allowed £8 6s. 8d. for forage.

NOTE.—The amount shown as salary against each of the Staff Surveyors includes a sum of £230 for equipment allowance, out of which the Surveyor provides himself with every requisite for field duty and means of ordinary transport. Each Surveyor is also allowed four men, who are paid, on an average, at the rate of 4s. each per diem, including rations, and one Overseer or Assistant at 6s. per diem.

NEW SOUTH WALES—1878.

85

Office.	Name.	Date of Appointment.	By whom appointed, and under what Instrument.	Annual Salary.			Date of first Appointment under the Colonial Government.
				£	s.	d.	
SECRETARY FOR LANDS—SURVEY OF LANDS—continued.							
Alignment Surveyors	William Henry Binsted ¹ ...	17 Jan., 1876	Governor and Executive Council	530	0	0	25 Oct., 1867.
	George Caleb Hedgeland...	1 Jan., 1876	Ditto	530	0	0	14 July, 1871.
Chief Draftsman	Robert Handcock.....	1 April, 1876	Ditto	530	0	0	6 Aug., 1866.
	William Henry Nash	11 Dec., 1878	Ditto	530	0	0	11 Dec., 1878.
1st Class Draftsmen	John Wolston Ellis.....	14 Mar., 1876	Ditto	600	0	0	28 Sept., 1853.
	Thomas Harvie Lewis.....	13 Aug., 1859	Ditto	550	0	6	1 Feb., 1849.
	James Alexander Collin Willis.	1 Jan., 1865	Ditto	450	0	0	18 Feb., 1854.
	John Sangster ²	6 Aug., 1867	Ditto	450	0	0	1 Oct., 1857.
	Charles Edward Finch	1 Jan., 1873	Ditto	400	0	0	1 July, 1860.
	Alexander Johnson	1 Jan., 1873	Ditto	400	0	0	5 July, 1858.
	Frederick William Rutter.	14 Mar., 1876	Ditto	400	0	0	1 Aug., 1860.
	Arthur James Stopps	1 Oct., 1877	Ditto	400	0	0	1 Jan., 1864.
	Thomas Stevens	1 Oct., 1877	Ditto	400	0	0	1 Jan., 1864.
	John Frederick Goggin	1 Oct., 1877	Ditto	400	0	0	17 Aug., 1863.
	George Lewis	1 Oct., 1877	Ditto	400	0	0	1 Oct., 1862.
	William Dickinson Armstrong.	1 Oct., 1877	Ditto	400	0	0	19 Jan., 1863.
	William Freeman.....	1 Oct., 1877	Ditto	400	0	0	1 Oct., 1862.
	Edward Maber Spark Gerard.	1 Oct., 1877	Ditto	400	0	0	8 June, 1864.
	John Stack	1 Jan., 1875	Ditto	350	0	0	4 June, 1860.
	Frederick William Watt...	1 Oct., 1877	Ditto	350	0	0	15 June, 1863.
	Daniel Henry Chisholm	1 Oct., 1877	Ditto	350	0	0	20 July, 1864.
	Theodore Elwin	1 Oct., 1877	Ditto	350	0	0	5 Oct., 1865.
	Thomas Felician Callachor	1 Oct., 1877	Ditto	350	0	0	1 Jan., 1865.
	Henry Wickham	1 Oct., 1877	Ditto	350	0	0	1 June, 1865.
	William Houston.....	1 Oct., 1877	Ditto	350	0	0	1 Mar., 1864.
	Goodwin Robert Packer ³	1 Oct., 1877	Ditto	300	0	0	19 Nov., 1868.
				350	0	0	
				from 24 Jan.			
	Stanley Lees Peyton	1 Oct., 1877	Ditto	350	0	0	19 Nov., 1868.
	John James Walters	1 Oct., 1877	Ditto	350	0	0	1 May, 1868.
2nd Class Draftsmen.....	George Long ⁴	25 June, 1878	Ditto	350	0	0	27 April, 1864.
	George Long ⁵	7 Nov., 1868	Ditto	300	0	0	27 April, 1864.
	Henry Alexander Allan	1 Jan., 1873	Ditto	250	0	0	1 May, 1864.
	Nicholas Trengrouse	1 Jan., 1874	Ditto	300	0	0	16 Sept., 1855.*
	William Baker	19 Oct., 1874	Ditto	300	0	0	1 Jan., 1870.
	Maurice O'Connor Blake...	1 Jan., 1875	Ditto	250	0	0	1 June, 1869.
	William Anthony Trengrouse.	1 Oct., 1877	Ditto	300	0	0	16 Sept., 1855.*
	Thomas Healey ⁶	22 Nov., 1870	Ditto	250	0	0	8 Dec., 1862.
	Goodwin Robert Packer	1 Jan., 1875	Ditto	300	0	0	19 Nov., 1868.
	Michael Canty	1 Jan., 1875	Ditto	250	0	0	1 Jan., 1870.
	Harry Hare	7 Jan., 1875	Ditto	250	0	0	1 May, 1870.
	Patrick Joseph Hogan ⁷	1 Jan., 1876	Ditto	250	0	0	1 Mar., 1858.
	Arthur John Burnell	14 Mar., 1876	Ditto	250	0	0	1 July, 1869.
	Louis George Julien Bennett.	22 Aug., 1876	Ditto	250	0	0	29 June, 1863.
	Albert Richard Gall	22 Aug., 1876	Ditto	250	0	0	1 June, 1871a.
	William Henry Hall	22 Aug., 1876	Ditto	250	0	0	1 Jan., 1872.
	George John Day	1 Oct., 1877	Ditto	250	0	0	1 Jan., 1872.
	Charles Edward Rennie ⁸ ...	1 Oct., 1877	Ditto	250	0	0	17 Sept., 1872.
	Gordon Gillhome Martin Cansdell.	1 Oct., 1877	Ditto	250	0	0	18 Sept., 1872.
	Arthur John Hare	1 Oct., 1877	Ditto	250	0	0	24 Sept., 1872.
	Robert William Langstaff ⁹	1 Oct., 1877	Ditto	250	0	0	16 Nov., 1873.
	Reginald George Spencer Bransby.	1 Oct., 1877	Ditto	250	0	0	1 Sept., 1869.
	James David Reece.....	1 Oct., 1877	Ditto	250	0	0	1 Aug., 1875.
	Woolfgang Muller	1 Oct., 1877	Ditto	250	0	0	1 Aug., 1875.
	Horace Plunkett Rich.....	1 Jan., 1878	Ditto	250	0	0	1 July, 1869.
	Charles James Saunders	1 Jan., 1878	Ditto	250	0	0	1 Feb., 1874.
	John Thomas Keating	1 Jan., 1878	Ditto	250	0	0	1 May, 1873.
	James Burt	5 Aug., 1878	Ditto	250	0	0	17 Feb., 1874.
	Mordaunt Allister M'Lean	1 Jan., 1878	Ditto	250	0	0	18 July, 1870.
	John James Slade	1 Jan., 1878	Ditto	250	0	0	1 Jan., 1865.
	Robert Joseph Malcolm	7 April, 1878	Ditto	250	0	0	1 Feb., 1877.
3rd Class Draftsmen.....	George Cayley Robinson...	16 Aug., 1878	Ditto	250	0	0	1 Aug., 1875.
	George Cayley Robinson ⁵	1 Aug., 1875	Ditto	200	0	0	1 Aug., 1875.
	James Burt ⁵	19 Dec., 1874	Ditto	200	0	0	17 Feb., 1874.
	John Joseph Casimir Callachor.	19 Dec., 1874	Ditto	200	0	0	16 Nov., 1873.
	John Thomas Small	8 Mar., 1876	Ditto	200	0	0	19 Dec., 1874.
	Charles George Ireland ¹⁰	1 Sept., 1876	Ditto	200	0	0	1 Sept., 1876.
	Charles Owen	1 Sept., 1876	Ditto	200	0	0	1 Sept., 1876.
	John James Richardson...	1 Sept., 1876	Ditto	200	0	0	1 Sept., 1876.
	Walter Collis	1 April, 1876	Ditto	200	0	0	1 June, 1871.*

¹ To 14 August—resigned.² Allowed twelve months leave of absence, from the 29th April.⁴ Allowed 12 months leave of absence, from the 25th March.⁵ Promoted.⁶ To 3 May—dismissed.⁸ To 24 June—disrated to foot of £300 salaries, 2nd Class.⁹ To 6 April—appointed Licensed Surveyor.

of absence (without pay), from the 14th January.

¹⁰ To 20 May—appointed to Trigonometrical Staff.

* Services not continuous.

Office.	Name.	Date of Appointment.	By whom appointed, and under what Instrument.	Annual Salary. £ s. d.	Date of first Appointment under the Colonial Government.
SECRETARY FOR LANDS—SURVEY OF LANDS—continued.					
3rd Class Draftsmen—contd.	James Joseph Quinn	1 Jan., 1877	Governor and Executive Council	200 0 0	1 Sept., 1875.
	William Frederick Day ...	19 May, 1877	Ditto	200 0 0	19 Dec., 1874.
	John Garvin	19 May, 1877	Ditto	200 0 0	1 Feb., 1874.
	Peter John Dowling	8 April, 1878	Ditto	150 0 0	18 Jan., 1877.
				to 31 Oct. 200 0 0	
	Robert Shelton	8 April, 1878	Ditto	150 0 0	19 Dec., 1874.
				to 31 Oct. 200 0 0	
	William M'Lean	8 April, 1878	Ditto	150 0 0	8 April, 1878.
				to 31 Oct. 200 0 0	
	Henry Charles Herring ...	8 April, 1878	Ditto	150 0 0	8 April, 1878.
	William Grant	1 Aug., 1878	Ditto	200 0 0	1 Aug., 1878.
	Frederic Bowman Bacon...	1 Aug., 1878	Ditto	200 0 0	1 Aug., 1878.
	Chas. Wm. Lewis Ballhausen.	1 Aug., 1878	Ditto	200 0 0	1 Aug., 1878.
	William Winder	1 Aug., 1878	Ditto	200 0 0	1 Aug., 1878.
	Henry Early Wilkinson ...	1 Aug., 1878	Ditto	200 0 0	1 Aug., 1878.
Robert M'Lean	1 Aug., 1878	Ditto	200 0 0	1 Aug., 1878.	
Ernest Stafford Vantin ...	1 Aug., 1878	Ditto	200 0 0	1 Aug., 1878.	
Lambert Skene Gordon ...	1 Aug., 1878	Ditto	200 0 0	1 Aug., 1878.	
John Alex. M'Kay M'Lean	1 Aug., 1878	Ditto	200 0 0	1 Aug., 1878.	
Supernumerary Draftsmen..	Peter John Dowling ¹	18 Jan., 1877	Ditto	75 0 0	18 Jan., 1877.
	Robert Shelton ¹	19 Dec., 1874	Ditto	75 0 0	19 Dec., 1874.
	Edward William Fewings ²	1 Jan., 1877	Ditto	75 0 0	1 Jan., 1877.
	Sydney James Pennington ³	19 May, 1877	Ditto	75 0 0	19 May, 1877.
	Joseph Raworth Bradley...	18 Jan., 1877	Ditto	75 0 0	18 Jan., 1877.
	John Pool ⁴	18 Jan., 1877	Ditto	75 0 0	18 Jan., 1877.
	James Anderson ⁵	30 Jan., 1877	Ditto	75 0 0	30 Jan., 1877.
	Joseph George Richard Fewings. ⁶	19 Jan., 1877	Ditto	75 0 0	19 Jan., 1877.
	Spencer Clay Burnell ⁷	19 Jan., 1877	Ditto	75 0 0	19 Jan., 1877.
	Edward Arnold Bronsden	1 Jan., 1878	Ditto	75 0 0	1 Jan., 1878.
	Geo. Hippolite Doubleday	1 Jan., 1878	Ditto	75 0 0	1 Jan., 1878.
	Arthur James Daintrey ...	1 Jan., 1878	Ditto	75 0 0	1 Jan., 1878.
	Joseph Stanley Ferris	1 Jan., 1878	Ditto	75 0 0	1 Jan., 1878.
	Charles Edward Bowler ...	1 Jan., 1878	Ditto	75 0 0	1 Jan., 1878.
	Charles Edwin Ellison ...	1 Jan., 1878	Ditto	75 0 0	1 Jan., 1878.
	George Alexander M'Kay	1 Jan., 1878	Ditto	75 0 0	1 Jan., 1878.
1st Class Draftsman, Lithographic Branch.	Josiah Tayler	1 Jan., 1875	Ditto	350 0 0	1 Jan., 1864.
Lithographic Draftsmen ...	John Edmund Miller Russell ..	1 Oct., 1877	Ditto	250 0 0	1 Oct., 1877.
	Jonathan Blenman Cobham	1 Jan., 1878	Ditto	250 0 0	1 Jan., 1875.
Lithographic Engraver	George William Sharp	1 Jan., 1869	Ditto	300 0 0	1 Oct., 1866.
Assistant do	Neil Macdonald	1 Jan., 1871	Ditto	200 0 0	1 Jan., 1871.
Description Writers	Richard George Underwood	12 Jan., 1867	Ditto	300 0 0	1 Oct., 1860.
	William Henry Aylmer ...	25 Jan., 1875	Ditto	200 0 0	24 July, 1874.
	Samuel Robinson ⁸	30 Dec., 1874	Ditto	150 0 0	30 Dec., 1874.
	John Swinton Murray	26 June, 1878	Ditto	100 0 0	26 June, 1878.
	William James Neill	1 Oct., 1877	Ditto	100 0 0	1 Oct., 1877.*
		Re-appointed 1 Nov., 1878.		to 30 April. 150 0 0	
				from 1 Nov.	
Examiner of Diagrams on Crown Grants.	William Webster	1 Jan., 1876	Ditto	250 0 0	1 Jan., 1876.
Assistant Examiner of Diagrams on Crown Grants.	Algernon Percy Douglas-Hamilton.	12 Aug., 1878	Ditto	250 0 0	12 Aug., 1878.
Examiner of Conditional Purchase Tracings.	William Henry M'Lean ...	1 Jan., 1878	Ditto	250 0 0	1 Jan., 1878.
Lithographic Printers	John Eccles	1 Jan., 1865	Ditto	285 0 0	1 Jan., 1865.
	James Tweedie Inglis	1 Sept., 1876	Ditto	235 0 0	1 Sept., 1876.
	Peter Ford	17 Oct., 1871	Ditto	175 0 0	17 Oct., 1871.
	John Bernauer	1 Jan., 1874	Ditto	125 0 0	1 Jan., 1874.
Plan Mounter	William Henry Walker ...	1 Jan., 1864	Ditto	200 0 0	1 Jan., 1864.
Custodian of Plans	Clement Tremaine Rodd...	1 Oct., 1873	Ditto	200 0 0	6 Mar., 1867.
Exhibitor and Salesman of Public Maps.	Robert Smith	16 June, 1873	Ditto	200 0 0	1 Jan., 1865.
Clerk in Charting Branch...	Edward Stack	1 Jan., 1869	Ditto	200 0 0	1 Jan., 1869.
Assistant Clerk in Charting Branch	Robert M'Clelland	13 April, 1877	Ditto	150 0 0	13 April, 1877.
Draftsmen for Preparing County References.	Thomas Cunningham Lewis Symonds. ⁹	1 Aug., 1874	Ditto	150 0 0	1 Aug., 1874.
	Charles George Zouch	21 Oct., 1878	Ditto	150 0 0	21 Oct., 1878.
Assistant Lithographers ...	Charles Stewart Christie ...	1 Jan., 1875	Ditto	125 0 0	1 Jan., 1875.
	Frederick William Sharp...	1 July, 1878	Ditto	10 125 0 0	1 July 1878.
Chief Clerk and Accountant.	John Frederick Landers ¹¹	1 Jan., 1872	Ditto	450 0 0	13 Feb., 1855.
Clerks	John Davidson	19 May, 1856	Governor	400 0 0	19 May, 1856.
	Thomas Evans ¹²	1 July, 1865	Governor and Executive Council	400 0 0	28 Sept., 1863.
	Frederick Evans Barnes ...	5 May, 1866	Ditto	300 0 0	5 May, 1866.

¹ Promoted. ² To 30 April—appointed Field Assistant. ³ To 20 June—appointed Field Assistant. ⁴ To 7 April—appointed Field Assistant. ⁵ To 30 June—appointed Field Assistant. ⁶ To 16 October—resigned. ⁷ To 30 September—appointed Field Assistant. ⁸ To 8 October—resigned. ⁹ To the 17 June—resigned. ¹⁰ Only £100 of this salary paid. ¹¹ Gives security to the amount of £300. ¹² Gives security to the amount of £100. * Services not continuous.

NEW SOUTH WALES—1878.

Office.	Name.	Date of Appointment.	By whom appointed and under what Instrument.	Annual Salary.	Date of first Appointment under the Colonial Government.
				£ s. d.	
SECRETARY FOR LANDS—SURVEY OF LANDS—continued.					
Clerks—continued.....	Henry Percy Baly	1 Jan., 1872	Governor and Executive Council	300 0 0	1 July, 1869.
	Frank George Hack	24 Mar., 1873	Ditto	200 0 0	24 Mar., 1873.
	Thomas Alphen	1 Mar., 1875	Ditto	200 0 0	1 Mar., 1875.
	David Miller	1 June, 1875	Ditto	200 0 0	1 June, 1875.
	Alfred Fletcher Twyne	1 Jan., 1876	Ditto	175 0 0	1 Jan., 1876.
	William Wiley	1 Oct., 1877	Ditto	175 0 0	1 Oct., 1877.
	John Joseph Sheahan	1 Oct., 1877	Ditto	175 0 0	1 Oct., 1877.
	Edward James Briscoe	1 Jan., 1876	Ditto	150 0 0	1 Jan., 1876.
	Mathew M'Mahon	1 Oct., 1877	Ditto	150 0 0	1 Oct., 1877.
	John Gordon Biggar	1 Oct., 1877	Ditto	150 0 0	1 Oct., 1877.
	Rowland Baldwin	1 Oct., 1877	Ditto	150 0 0	1 Oct., 1877.
	Philip Eld Eldershaw	1 Jan., 1876	Ditto	110 0 0	1 Jan., 1876.
	George Thomas Arthur Teece	1 Sept., 1875	Ditto	100 0 0	1 Sept., 1875.
	Richard Callaway	1 Jan., 1878	Ditto	100 0 0	1 Jan., 1878.
Messengers (5)				1 at 125 0 0	each.
				2 at 110 0 0	
				1 at 50 0 0	
Housekeepers (3)				1 at 40 0 0	
				2 at 46 0 0	
<i>Triangulation Staff.</i>					
Surveyors	John Sofala Chard ¹	13 Oct., 1874	Governor and Executive Council	630 0 0	1 Oct., 1867.
	William Jacobm Conder ²	1 Jan., 1876	Ditto	730 0 0	18 Jan., 1865.
				to 31 March	
				500 0 0	
				from 1 April.	
Geodetic Surveyor	John Cameron	1 July, 1878	Ditto	630 0 0	1 July, 1878.
Computer and Draftsmen	Leonard Abington Vessey	1 July, 1874	Ditto	500 0 0	1 July, 1874.
Ditto 2nd Class	Thomas Samuel Parrott ³	1 Jan., 1875	Ditto	250 0 0	20 Aug., 1874.
Computer	Henry Spendlove Hawkins	1 Oct., 1877	Ditto	300 0 0	1 Oct., 1877.
Draftsman and Computer	Thomas Frederick Furber	1 Oct., 1877	Ditto	400 0 0	25 Sept., 1869.
Draftsmen	James Monsell Spry	1 Oct., 1877	Ditto	300 0 0	1 Oct., 1877.
	Arthur Lewingdon Lloyd	1 July, 1878	Ditto	300 0 0	1 July, 1878.
	Charles George Ireland	21 May, 1878	Ditto	250 0 0	1 Sept., 1876.
Assistant Computer	John Henry Laycock	1 Aug., 1878	Ditto	150 0 0	1 Aug., 1878.
Draftsman	Robert Joseph Malcolm ⁴	1 Feb., 1877	Ditto	200 0 0	1 Feb., 1877.
¹ Absent on leave without pay for twelve months from 16 June. ² Received the usual equipment allowance to 31 March—after that, salary only—the equipment expenses being paid by the Government. ³ To 20 May—resigned. ⁴ To 6 April—appointed 2nd Class Draftsman on general establishment. * Services not continuous.					
INSPECTOR OF CROWN LAND OFFICES.					
Inspector	Charles N. J. Oliver	1 July, 1877	Governor and Executive Council	400 0 0	27 Mar., 1866.
Allowed 30s. per diem for travelling expenses when absent on duty from head quarters.					
AGENTS FOR THE SALE OF CROWN LANDS.					
Districts—					
Albury	Edward Brown, J.P.	1 July, 1862	Secretary for Lands	50 0 0	} 26 Aug., 1857.
				to 31 July.	
Armidale	James Bray	1 Aug., 1878	Governor and Executive Council	500 0 0	
Balranald	R. B. Mitchell	15 Oct., 1875	Secretary for Lands	50 0 0	1 Jan., 1866.
Bathurst	Arthur H. Kennedy	1 Jan., 1867	Ditto	50 0 0	1 Mar., 1858.
Bega	J. Davis	1 Oct., 1877	Ditto	300 0 0	4 July, 1876.
Berrima	F. R. Wilshire	8 Dec., 1865	Ditto	50 0 0	1 Dec., 1865.
Bingera	Henry W. Powell	15 Mar., 1872	Ditto	50 0 0	1 Mar., 1862.
Bombala	James Giles	5 June, 1877	Governor and Executive Council	300 0 0	19 Mar., 1872.
Boorowa	William J. E. Wotton	22 Dec., 1870	Secretary for Lands	50 0 0	3 June, 1862.
Braidwood	W. F. Robertson	24 Jan., 1862	Ditto	50 0 0	17 Jan., 1862.
Brisbane Water (Gosford)	Thomas Cade Battley	20 Sept., 1875	Ditto	50 0 0	29 May, 1869.
Broulee (Moruya)	W. Clarke	1 Oct., 1857	Ditto	50 0 0	8 Aug., 1843.
Bourke	Louis F. Layard	5 Sept., 1876	Ditto	50 0 0	16 Mar., 1874.
Byangum (Cudgen) Tweed River	Joshua Bray	1 Oct., 1874	Ditto	50 0 0	1 Oct., 1868.
		17 Sept., 1875	Ditto	50 0 0	17 Sept., 1875.
Camden	John Benson Martin	1 Oct., 1857	Ditto	50 0 0	1 Sept., 1852.
Campbelltown	Henry A. Smith ¹	23 April, 1872	Ditto	50 0 0	15 April, 1872.
	succeeded by				
	Hubert Dillon	1 Oct., 1878	Ditto	50 0 0	1 Jan., 1873.
Carcoar	E. J. C. North	9 May, 1865	Ditto	50 0 0	1 May, 1865.
Cassilis	James H. Tompson	8 Sept., 1877	Ditto	250 0 0	1 July, 1869.
Cooma	G. H. Smithers	28 Aug., 1875	Ditto	50 0 0	22 Oct., 1868.
Coonabarabran	F. W. Edwards	8 Nov., 1863	Ditto	50 0 0	28 Oct., 1863.
Coonamble	J. H. L. Scott ² (Acting)	7 Aug., 1877	Ditto	50 0 0	10 Nov., 1858.
	succeeded by				
	H. R. Sanders	1 Dec., 1878	Governor and Executive Council	300 0 0	27 Sept., 1876.
Cootamundra	C. H. B. Primrose	22 June, 1877	Ditto	300 0 0	
				to 31 May.	
				50 0 0	
				from 1 June.	
Cowra	John Arkins	1 Mar., 1869	Secretary for Lands	50 0 0	22 Aug., 1872.
Corowa	Herbert Croft ³	1 June, 1875	Governor and Executive Council	300 0 0	1 June, 1868.
	succeeded by				
	John H. Louche	16 July, 1878	Ditto	300 0 0	26 April, 1866.*
¹ To 30 September. ² To 6 July, deceased. ³ To 15 July—transferred to Lands Department. * Services not continuous.					

Office.	Name.	Date of Appointment.	By whom appointed, and under what Instrument.	Annual Salary.	Date of first Appointment under the Colonial Government.
				£ s. d.	
SECRETARY FOR LANDS—AGENTS FOR THE SALE OF CROWN LANDS—continued.					
<i>Districts—continued.</i>					
Deniliquin.....	John Archer Broughton ¹	1 Feb., 1865	Secretary for Lands	50 0 0	23 Jan., 1865.
	succeeded by				
	A. W. Armour.....	27 Dec., 1878	Governor and Executive Council	300 0 0	1 July, 1875.
Dubbo	H. Roxburgh	1 Oct., 1877	Ditto	300 0 0	1 May, 1876.
Dungog	C. G. Smith	24 Nov., 1875	Secretary for Lands	50 0 0	1 May, 1861.
Dowling (Ulladulla)	J. V. Wareham ²	1 Jan., 1866	Ditto	50 0 0	19 Mar., 1863.
	succeeded by				
	Samuel M. Burrows	1 Nov., 1878	Ditto	50 0 0	15 Nov., 1870.
Eden	R. B. Hays	1 Nov., 1876	Ditto	50 0 0	5 Oct., 1875.
Forbes	Stephen Freeman.....	1 Sept., 1873	Ditto	50 0 0	22 Oct., 1862.†
Gunnedah.....	T. K. Abbott	31 Jan., 1868	Ditto	50 0 0	14 Dec., 1867.
Gunning	J. F. Kenyon	7 Aug., 1877	Ditto	50 0 0	11 Sept., 1876.
Grafton	W. H. Thomas.....	1 April, 1874	Ditto	50 0 0	12 April, 1864.
Glen Innes	George Martin	1 Oct., 1871	Ditto	50 0 0	3 Mar., 1868.
Goulburn	Charles S. Alexander	12 Feb., 1862	Ditto	50 0 0	8 Feb., 1861.
Gundagai	C. W. Weekes	26 Oct., 1875	Ditto	50 0 0	19 Oct., 1875.
Grenfell	W. F. Parker ³	16 Jan., 1872	Ditto	50 0 0	26 April, 1862.†
	succeeded by				
	George Gray Brodie	1 June, 1878	Ditto	50 0 0	19 Mar., 1858.
Hartley	T. H. Neale	27 Aug., 1873	Ditto	50 0 0	16 Aug., 1873.
Inverell	W. C. Cardew	1 May, 1874	Ditto	50 0 0	14 Aug., 1873.
Kiama	Henry Connell, junior	1 June, 1863	Ditto	50 0 0	21 Aug., 1844.
Liverpool	W. H. Goodman	28 July, 1877	Ditto	15 0 0	28 July, 1877.
M'Leay River (West Kempsey).	John B. Casey	1 April, 1860	Ditto	50 0 0	21 April, 1853.
Metropolitan (Sydney) ...	Wm. Conway Edwards ...	1 Jan., 1876	Ditto	100 0 0	1 Oct., 1865.
Maitland	Cornelius Delohery.....	27 April, 1871	Ditto	50 0 0	23 July, 1860.†
Manning River(Wingham)	J. A. Creagh.....	1 Feb., 1875	Ditto	50 0 0	1 Feb., 1875.
Moama	George Maunsell ⁴	20 Nov., 1860	Ditto	50 0 0	13 Mar., 1858.
	succeeded by				
	Lester S. Donaldson	18 Mar., 1878	Ditto	50 0 0	19 Sept., 1871.
Molong	J. H. Nisbet	20 Sept., 1875	Ditto	50 0 0	1 Sept., 1875.
Mudgee.....	F. S. Isaacs	15 Sept., 1876	Ditto	50 0 0	1 Jan., 1868.
Murrurundi	George Gray Brodie ⁵	1 Nov., 1858	Ditto	50 0 0	19 Mar., 1858.
	succeeded by				
	G. R. Evans	1 June, 1878	Ditto	50 0 0	1 June, 1878.
Musclebrook.....	Timothy Foley.....	7 Jan., 1868	Ditto	50 0 0	1 Dec., 1867.
Mitchell (Wilcannia)	R. R. Morisset	1 Feb., 1875	Ditto	50 0 0	1 Feb., 1875.
Naranderra	J. L. King	1 June, 1877	Ditto	50 0 0	16 Aug., 1870.
Newcastle	A. Lumsdaine	15 Sept., 1876	Ditto	50 0 0	10 June, 1872.
Orange	William Tucker Evans	1 Oct., 1857	Ditto	50 0 0	20 April, 1851.
Oxley	Neil C. O'Neill ⁶	21 Mar., 1877	Ditto	50 0 0	26 April, 1870.
	succeeded by				
	William A. Brodie	1 June, 1878	Ditto	50 0 0	1 May, 1874.
Parramatta	George Langley, J.P. ⁷	24 Sept., 1860	Ditto	30 0 0	1 Aug., 1837.
	succeeded by				
	George Wickham.....	1 Sept., 1878	Ditto	30 0 0	5 Mar., 1847.
Patrick's Plains	William Dudding	1 Oct., 1857	Ditto	50 0 0	4 April, 1847.
Paterson	Robert Studdert	1 Oct., 1857	Ditto	50 0 0	12 June, 1840.
Penrith	John Kingdon Cleeve	28 July, 1868	Ditto	*.....	3 July, 1865.
Port Macquarie	Robert Isell Perrott	30 Sept., 1873	Ditto	50 0 0	1 Aug., 1859.
Port Stephens (Stroud) ...	Thomas Laman	1 Mar., 1861	Ditto	50 0 0	13 April, 1859.
Queanbeyan	Obadiah Willans.....	13 Dec., 1864	Ditto	50 0 0	14 Nov., 1864.
Raymond Terrace	C. R. Middleton	26 Nov., 1875	Ditto	50 0 0	11 Oct., 1875.
Richmond River (Casino)..	M. M. Campbell	1 April, 1875	Ditto	50 0 0	1 April, 1875.
Rylstone	William W. Armstrong	1 Oct., 1857	Ditto	50 0 0	1 July, 1854.
Scone	James T. Wilshire	23 April, 1872	Ditto	50 0 0	1 Sept., 1862.†
Shoalhaven	William Lovegrove	1 Oct., 1857	Ditto	50 0 0	1 Jan., 1857.
Tamworth.....	John M'Donald	19 Aug., 1858	Ditto	50 0 0	6 Feb., 1851.
Tenterfield	J. Simons	15 Oct., 1875	Ditto	50 0 0	1 Sept., 1875.
Tumut	F. W. Vyner.....	26 July, 1870	Ditto	50 0 0	1 Jan., 1865.
Urana	C. L. C. Badham.....	1 Feb., 1875	Governor and Executive Council	300 0 0	9 Aug., 1870.
Wagga Wagga.....	F. D. A. Korff	1 Sept., 1877	Ditto	300 0 0	10 Nov., 1871.
Walcha.....	Milton S. Love.....	8 June, 1877	Secretary for Lands	50 0 0	1 May, 1868.
Warialda	F. C. Macarthur	1 Jan., 1877	Ditto	50 0 0	1 July, 1873.
Walgett	F. B. Hales	13 Oct., 1875	Ditto	50 0 0	1 April, 1861.
Wee Waa (Narrabri)	Charles Edward Smith	1 May, 1859	Ditto	50 0 0	25 Mar., 1851.
Wellington	Frederick Marsh	10 May, 1862	Ditto	50 0 0	8 April, 1852.
Wentworth	William Lyle Richardson.....	28 Feb., 1871	Ditto	50 0 0	11 Nov., 1862.
Windsor	William H. H. Becke	1 April, 1874	Ditto	50 0 0	8 June, 1853.
Wollongong	Alfred Allatson Turner	1 Oct., 1857	Ditto	50 0 0	23 May, 1848.
Wollombi	H. Gordon	1 Sept., 1875	Ditto	50 0 0	1 May, 1859.
Yass	Leopold Yates	26 July, 1870	Ditto	50 0 0	10 July, 1862.
Young	James Richard Edwards.....	1 April, 1862	Ditto	50 0 0	14 Mar., 1862.

* Paid by commission; see foot-note, page 89.

† Services not continuous.

¹ To 26 December—deceased.

² To 31 October.

³ To 31 May.

⁴ To 17 March.

⁵ To 31 May—appointed to Grenfell.

⁶ To 31 May.

⁷ To 31 August—deceased.

NEW SOUTH WALES—1878.

Office.	Name.	Date of Appointment.	By whom appointed, and under what Instrument.	Annual Salary.	Date of first Appointment under the Colonial Government.
				£ s. d.	
SECRETARY FOR LANDS—AGENTS FOR THE SALE OF CROWN LANDS—continued.					
ASSISTANT LAND AGENTS.					
Districts—					
Albury	George F. Barker ¹	5 Sept., 1876	Governor and Executive Council	225 0 0	5 Sept., 1876.
Bega	J. A. Davis	1 June, 1876	Secretary for Lands	25 0 0	1 June, 1876.
Deniliquin.....	A. W. Armour ²	1 June, 1878	Governor and Executive Council	225 0 0	1 July, 1875.
Gundagai	A. W. Armour ³	1 July, 1875	Ditto	175 0 0	1 July, 1875.
Hay	Henry T. Makin	1 Nov., 1877	Ditto	200 0 0	8 July, 1873.
				to 30 April	
				225 0 0	
				from 1 May.	
Queanbeyan	A. O. Willans	1 Sept., 1875	Secretary for Lands	100 0 0	14 Nov., 1864.
Singleton	Frederick Hepworth	1 Dec., 1875	Governor and Executive Council	200 0 0	6 Sept., 1875
¹ To 31 July, office abolished. ² To 26 December, appointed Land Agent. ³ To 31 May—see above.					
NOTE. —The Crown Lands Agents, except Sydney, whose security is £500, give security as follows:—Where the collections amount to £10,000 and upwards, £1,000; £5,000 and under £10,000, £500; £1,000 and under £5,000, £250; under £1,000, £100. The Assistant Land Agent at Hay gives security for £250; Singleton, £125; Bega and Queanbeyan, £100 each.					
N.B. —The Land Agents, except those receiving fixed salaries, and the Crown Land Agent at Penrith, are allowed a commission of 2 per cent. on all collections in any one year over £2,500 up to £15,000. The Land Agent at Penrith, is allowed commission at the rate of 5 per cent. up to £2,000, 2½ per cent. over £2,000 up to £10,000, and 1 per cent. over the latter amount.					
BOTANIC GARDENS, ETC.					
Director	Charles Moore ¹	1 Feb., 1848	Secretary of State	450 0 0	1 Feb., 1848.
Clerk and Librarian	John M'Lachlan	18 Mar., 1876	Governor and Executive Council	175 0 0	18 Mar., 1876.
Overseer	John Duff ²	1 Sept., 1866	Ditto	200 0 0	1 Sept., 1866.
Bailiff (1)	Director	120 0 0	} per diem.
Carpenter (1)	Ditto	0 8 6	
Propagator (1)	Ditto	0 8 4	
Gardeners (19)	Ditto	0 7 0	
GOVERNMENT DOMAINS.					
Overseer	August Kloster ³	1 May, 1869	Secretary for Lands	150 0 0	1 May, 1869.
Bailiff	Finlay M'Kay ³	1 Oct., 1875	Director	120 0 0	1 Oct., 1875.
Workmen (12)	Ditto	0 7 0	per diem, each.
¹ Allowed a house; also fuel, and half forage for a horse, but never claimed. Gives security to the amount of £400. ² Allowed a house and fuel. ³ Allowed a house.					
OYSTER-BEDS.					
Inspector.....	William John Langham ¹	15 April, 1874	Governor and Executive Council	200 0 0	15 April, 1874.
Boatman (1)	Secretary for Lands	132 0 0	
¹ Allowed £150 per annum for travelling expenses.					
CHURCH AND SCHOOL ESTATES.					
Agent for the Church and School Estates.	William Newcombe.....	20 Dec., 1864	Governor and Executive Council	100 0 0	1 Feb., 1849.
COURT OF CLAIMS.					
Commissioners—				Fees.	
(President)	Arthur Todd Holroyd.....	20 Sept., 1865	Governor and Executive Council, by Commission.	2 2 0	16 Sept., 1856.*
	William Owen	1 Aug., 1861	Ditto	2 2 0	1 Aug., 1861.
	Wm. Hattam Wilkinson.....	30 Sept., 1864	Ditto	2 2 0	22 Feb., 1860.
Secretary.....	Wm. George Pennington.....	1 Sept., 1859	Governor and Executive Council	2 0 0	1 Sept., 1859.
* Services not continuous.					
BOARD FOR OPENING TENDERS FOR RUNS.					
Members.....	Philip Francis Adams.....	17 Mar., 1868	Governor and Executive Council	} Nil.	} 19 Sept., 1857. 1 May, 1827.
	Henry Halloran	4 Feb., 1870	Ditto		
	succeeded by				
	Thomas Warre Harriott.....	2 Aug., 1878	Ditto		
	Wm. Wilberforce Stephen.....	1 Oct., 1870	Ditto		
HYDE PARK IMPROVEMENT COMMITTEE. (To 7 October.)					
Committee	James Barnett	25 Aug., 1865	} Governor and Executive Council.	} Nil.	
	Edmund T. Blakett.....	— 1851			
	re-appointed				
	25 Aug., 1865				
	Edmund Fosbery.....	17 Mar., 1876			
	Charles Moore	— 1851			
	re-appointed				
	25 Aug., 1865				
	The Mayor of Sydney.....	25 Aug., 1865			
	E. C. Weekes	25 Aug., 1865			
Secretary.....	William Henry Catlett ...	9 Dec., 1853	Hyde Park Improvement Committee.	*	
* Receives £50 per annum from "Pasturage" Fees.					

Office.	Name.	Date of Appointment.	By whom appointed, and under what Instrument.	Annual Salary.	Date of first Appointment under the Colonial Government.
				£ s. d.	
SECRETARY FOR LANDS—continued.					
HYDE, PHILLIP, AND COOK PARKS. (From 8 October.)					
Trustees	Sir Alfred Stephen, C.B., K.C.M.G.	8 Oct., 1878	Governor and Executive Council.	Nil.	
	James Merriman ¹				
	James Norton				
	Charles Moore ²				
	Edward Pearson Ramsay ³	18 Oct., 1878	Ditto	Nil.	
	Charles Moore				
	Alexander Dean				
	William Henry Catlett				
Secretary	William Henry Catlett		Trustees	*	
	¹ Mayor of Sydney. ² Director of Botanic Gardens. ³ Curator of Australian Museum. * Receives £50 per annum from "Pasturage" Fees.				
COMMISSION FOR THE PURPOSE OF INQUIRING INTO AND REPORTING UPON THE WORKING AND ADMINISTRATION OF THE LANDS AND SURVEY DEPARTMENTS.					
Commission :—				For each sitting.	
(President)	Robert Palmer Abbott ...	16 Oct., 1878	Governor and Executive Council.	3 3 0	
	George Ranken	16 Oct., 1878	Ditto	3 3 0	
	James Thomson ¹	16 Oct., 1878	Ditto	1 1 0	
Secretary	Charles Robinson	16 Oct., 1878	Commissioners	1 1 0	
	¹ Resigned—4 November, 1878.				

PART IX.

Secretary for Mines,

AND THE

DEPARTMENTS UNDER HIS SUPERVISION AND CONTROL.

SUMMARY.

	PAGE.
Mines	92
Wardens	92
Wardens' Clerks	93
Mining Registrars, &c.	93
Bailiffs of Wardens Courts	94
Mining Surveyors	94
Occupation of Lands	96
Sheep Inspectors	97
Cattle Inspectors	97
Registration of Brands	97
Sheep Directors	98

SECRETARY FOR MINES.

Office.	Name.	Date of Appointment.	By whom appointed, and under what Instrument.	Annual Salary.	Date of first Appointment under the Colonial Government.
				£ s. d.	
MINES.					
Secretary for Mines	William Henry Suttor	19 Dec., 1877	Governor, by Commission.....	1,500 0 0	19 Dec., 1877.
	succeeded by				
	Ezekiel Alexander Baker...	21 Dec., 1878	Ditto	1,500 0 0	6 Feb., 1877.*
Under Secretary	Harrie Wood ¹	1 Sept., 1874	Governor and Executive Council	800 0 0	1 Sept., 1874.
Chief Clerk.....	Gerard Edgar Herring	1 Sept., 1874	Ditto	500 0 0	— April, 1854.*
Registrar.....	Thomas Crawford Binny ²	1 Sept., 1874	Ditto	300 0 0	1 Sept., 1874.
Clerks	Edward J. R. Farr	25 Oct., 1875	Ditto	300 0 0	21 Dec., 1862.
	Charles Orlando Helm	1 Sept., 1874	Ditto	250 0 0	1 Feb., 1873.
	John Richard Neate	25 Oct., 1875	Ditto	250 0 0	1 April, 1862.
	Patrick Anderson	1 Nov., 1874	Ditto	225 0 0	18 April, 1872.
	Henry C. Taylor	1 Sept., 1874	Ditto	200 0 0	19 April, 1872.
	William E. Henry	1 Oct., 1874	Ditto	175 0 0	2 May, 1873.
	Edgar H. Ray	1 Sept., 1874	Ditto	175 0 0	1 Oct., 1873.
	Edwin C. Primrose	21 Mar., 1877	Ditto	150 0 0	1 Mar., 1875.
	Stephen T. Burcher.....	21 Mar., 1877	Ditto	125 0 0	9 Sept., 1875.
	Samuel H. Teece	1 Nov., 1877	Ditto	125 0 0	1 Nov., 1877.
Temporary Clerks	Edward G. Williams	21 April, 1875	Secretary for Mines	110 0 0	21 April, 1875.
	William R. Collis	1 April, 1877	Ditto	30 0 0	1 April, 1877.
	William Charles Bell	2 Oct., 1878	Ditto	10/- ^{per} diem	2 Oct., 1878.
Messengers (2)	Ditto	{ 1 at 125 0 0	
		{ 1 at 100 0 0	
Officekeepers (2) ³		{ 1 at 46 0 0	
		{ 1 at 30 0 0	
Chief Mining Surveyor.....	Robert D. Fitzgerald	12 Nov., 1874	Governor and Executive Council	1 Aug., 1856.
Chief Draftsman	Walter Scott Campbell	19 Oct., 1874	Ditto	500 0 0	3 July, 1862.
Draftsmen	Peter Drummond	19 Oct., 1874	Ditto	300 0 0	1 April, 1861.
	Arthur T. Jaques.....	19 Oct., 1874	Ditto	250 0 0	1 Nov., 1865.
	Arvid Nilson	19 Oct., 1874	Ditto	200 0 0	1 Oct., 1868.
	Edward J. King	1 May, 1875	Ditto	200 0 0	1 April, 1866.
	John H. Mayes	1 Oct., 1875	Ditto	200 0 0	1 Oct., 1875.
	Edwin T. Bishop	16 Aug., 1877	Ditto	200 0 0	4 Dec., 1875.
	Henry A. James	16 Nov., 1877	Ditto	200 0 0	4 Dec., 1875.
Temporary Draftsmen	J. J. Sullivan	4 Sept., 1877	Secretary for Mines	200 0 0	4 Sept., 1877.
	H. B. Sullivan	3 Dec., 1877	Ditto	200 0 0	3 Dec., 1877.
	H. P. Wisdom ⁴	1 Aug., 1876	Ditto	50 0 0	1 Aug., 1876.
	Sydney A. Lee	21 Sept., 1876	Ditto	50 0 0	21 Sept., 1876.
Messenger (1)	Ditto	100 0 0	
Inspector of Mines	William Henry John Slec ⁵	7 Aug., 1876	Governor and Executive Council	250 0 0	7 Aug., 1876.
Geological Surveyor in charge.	C. S. Wilkinson ⁶	16 July, 1874	Ditto	400 0 0	16 Aug., 1870.
		to 16 June.	
		600 0 0	
		from 17 June.	
Geological Surveyors ⁶	Edward F. Pittman.....	17 June, 1878	Ditto	400 0 0	29 Jan., 1873.
	Lamont Young ⁷	17 June, 1878	Ditto	300 0 0	7 Feb., 1878.
Field Assistant	W. E. Jennings ⁸	22 Jan., 1877	Secretary for Mines	6/- ^{per} diem	22 Jan., 1877.
	succeeded by				
	Lamont Young ⁹	7 Feb., 1878	Ditto	6/- ,,	7 Feb., 1878.
	succeeded by				
	H. H. Onslow	17 Sept., 1878	Ditto	6/- ,,	17 Sept., 1878.
Clerk and Draftsman	H. T. Wilkinson	16 Nov., 1874	Ditto	12/- ,,	16 Nov., 1874.
Collector.....	C. Cullen	29 July, 1874	Ditto	6/- ,,	29 July, 1874.
Campmen (2).....	Ditto	6/- ^{per} diem each	
Examiner of Coal Fields	John Mackenzie	22 Mar., 1872	Administrator of Government and Executive Council.	600 0 0	18 Feb., 1863.
Inspector of Collieries	Thomas Lewis	{ 1 July, 1864	Governor and Executive Council	{ 300 0 0	{ 18 Feb., 1863.
	{ 18 Feb., 1863	Ditto		
¹ Gives security to the amount of £200. ² Gives security to the amount of £100. ³ Allowed quarters, fuel, and light. ⁴ To 7 May. ⁵ Allowed travelling expenses when all night from head quarters. ⁶ Allowed £230 for equipment. ⁷ Resigned on 31 December. ⁸ To 6 February. ⁹ Promoted.					
WARDENS.					
Districts—					
Hill End	Ernest A. L. Sharpe	12 May, 1874	Governor and Executive Council	400 0 0	22 July, 1873.
Braidwood	Charles de Boos	1 Dec., 1874	Ditto	400 0 0	1 Dec., 1874.
Trunkey	Thomas A. Smith, P.M.	14 Dec., 1875	Ditto	75 0 0	1 Aug., 1871.
Young	Samuel Robinson, P.M.	1 Oct., 1875	Ditto		15 April, 1872.
Armidale	James Buchanan, P.M. ¹	12 May, 1874	Ditto		6 Jan., 1852.
Gulgong	Thomas A. Browne, P.M.	15 June, 1874	Ditto		7 April, 1871.
Forbes	Fred. Dalton, P.M.	12 May, 1874	Ditto	Nil.	15 May, 1860.
Tenterfield	James B. Graham, P.M.	29 Jan., 1875	Ditto		1 Mar., 1859.
Lismore	Henry S. Elliott, P.M.	1 Nov., 1875	Ditto		8 Aug., 1843.
Albury	Marcus F. Brownrigg, P.M.	29 Jan., 1875	Ditto		9 Aug., 1860.
¹ Allowed £80 per annum in lieu of quarters, and £100 in lieu of forage.					

Office.	Name.	Date of Appointment.	By whom appointed, and under what Instrument.	Annual Salary. £ s. d.	Date of first Appointment under the Colonial Government.
SECRETARY FOR MINES—WARDENS—continued.					
<i>Districts—contd.</i>					
Scone.....	John Garrett, P.M.....	3 April, 1875	Governor and Executive Council	Nil.	4 Jan., 1860.
Tamworth.....	David W. Irving, P.M.....	29 Jan., 1875	Ditto		24 June, 1861.
Tumut	Frederic W. Vyner, P.M....	16 April, 1875	Ditto		1 Jan., 1865.
Orange	John Tom Lane, P.M.....	21 Sept., 1875	Ditto		1 Jan., 1867.
Carcoar	Edward J. C. North, P.M.	21 Sept., 1875	Ditto		1 May, 1865.
Bingera	P. Brougham, P.M.....	10 Oct., 1876	Ditto		5 Sept., 1876.
Bullah Delah	E. L. Rowling, P.M.....	13 Mar., 1878	Ditto		1 Jan., 1878.
Glen Innes	George Martin, P.M.....	21 May., 1877	Ditto		3 Mar., 1868.
Inverell	W. W. Fraser, P.M.....	29 Nov., 1877	Ditto		1 Sept., 1875.
Bourke	A. O. Grant, P.M.....	17 June, 1878	Ditto		27 Jan., 1846.
Officer at Sydney to issue Miners' Rights, Business and Mineral Licenses.	William Newcombe.....	30 June, 1874	Ditto		1 Feb., 1849.
WARDENS' CLERKS.					
<i>Districts—</i>					
Armidale	Edward Marriott.....	2 Nov., 1874	Governor and Executive Council	200	Also Fees and Commission.
Albury	J. C. W. Crommelin		Ditto	20	
Araluen	E. F. Carlile.....		Ditto	30	
Adelong.....	George Morris		Ditto	20	
Barrington	Constable R. Sullivan		Ditto	10	
Bingera	M. Doyle		Ditto	10	
Bathurst	C. E. B. Maybury		Ditto	30	
Bombala	J. Giles		Ditto	20	
Bourke	Constable J. Harvey		Ditto	10	
Braidwood	W. F. Robertson		Ditto	20	
Barraba	J. Flannigan		Ditto	20	
Carcoar	W. B. Warner.....		Ditto	20	
Cowra	John Arkins		Ditto	20	
Cargo.....	R. Hutton		Ditto	20	
Dalmorton	W. F. Poole.....		Ditto	20	
Eurobodalla	W. J. Foster		Ditto	Nil.	
Forbes	F. S. Osborne		Ditto	200	
Grenfell	G. G. Brodie		Ditto	20	
Gunning	J. F. Kenyon		Ditto	10	
Gundagai	C. W. Weekes		Ditto	20	
Gulgong	H. De Boos		Ditto	200	
Glen Innes	W. C. Rodgerson.....		Ditto	15	
Hargraves	T. O'Brien		Ditto	10	
Hill End	A. B. Burne		Ditto	40	
Ironbarks	M. Hanly		Ditto	10	
Kiandra	P. Smythe		Ditto	20	
Little River	P. J. Galway		Ditto	20	
Lionsville	J. Fisher		Ditto	20	
Lismore	W. Carson		Ditto	10	
Moruya	W. Clarke		Ditto	20	
Mudgee	F. S. Isaacs		Ditto	20	
Nowra	W. Lovegrove		Ditto	20	
Nerrigundah.....	W. J. Foster		Ditto	20	
Nundle	S. Kermode		Ditto	20	
Oberon	C. W. Cunyngham		Ditto	20	
Orange	W. T. Evans		Ditto	20	
Parkes	W. C. Weston		Ditto	40	
Queanbeyan	O. Willans		Ditto	10	
Rockley	T. C. Cromie		Ditto	10	
Sofala	M. Fagan		Ditto	20	
Scone.....	J. T. Wilshire		Ditto	10	
Tuena	S. J. Cotter		Ditto	10	
Tumberumba	Mrs. H. M. Langford		Ditto	20	
Tenterfield	J. Simons		Ditto	20	
Tingha	T. Jones		Ditto	50	
Trunkey	T. Waldie		Ditto	20	
Uralla	E. Marriott		Ditto	50	
Vegetable Creek	George H. Gower		Ditto	50	
Wellington	F. Marsh		Ditto	20	
Walcha	Milton S. Love.....		Ditto	10	
Wilson's Downfall	W. Hicks		Ditto	10	
Windeyer	T. H. Price		Ditto	10	
Yarrara	J. K. Armstrong		Ditto	10	
Young	J. R. Edwards		Ditto	25	
MINING REGISTRARS AND TO ISSUE MINERS' RIGHTS.					
<i>Districts—</i>					
Boorook	M. J. Synge		Governor and Executive Council	10	Fees.
Ballina	H. Bassman		Ditto		
Bega	J. Davis		Ditto		
Berrima	F. R. Wilshire.....		Ditto		
Cassilis	Leslie W. A. Macarthur..		Ditto		
Corowa	J. H. Louche		Ditto		
Casino	M. M. Campbell		Ditto		
Cootamundra	C. H. B. Primrose		Ditto		
Cooma	G. H. Smithers		Ditto		
Coonabarabran.....	F. W. Edwards		Ditto		

Office.	Name.	Date of Appointment.	By whom appointed, and under what Instrument.	Annual Salary.	Date of first Appointment under the Colonial Government.
				£ s. d.	
SECRETARY FOR MINES—MINING REGISTRARS, &c.—continued.					
Districts—continued.					
Dubbo	Luke M'Guinn	2 Nov., 1874.	Governor and Executive Council		
Dungog	C. G. Smith		Ditto		
Grafton	W. H. Thomas		Ditto		
Gundaroo	Senior-constable J. Irwin		Ditto		
Hartley	T. H. Neale		Ditto		
Hay	W. A. Brodie		Ditto		
Hillston	Neil C. O'Neill		Ditto		
Inverell	W. C. Cardew		Ditto		
Major's Creek	J. Heazlett		Ditto	10 0 0	
Mitchell's Creek	S. Schumack		Ditto	10 0 0	
Murrurundi	G. R. Evans		Ditto		
Nerriga	S. Woollan		Ditto		
Penrith	J. K. Cleeve, jun		Ditto		
Reedy Flat	T. Rogers		Ditto		
Rylstone	W. W. Armstrong		Ditto		
Singleton	W. Dudding		Ditto		
Stroud	T. Laman		Ditto		
Tumut	F. W. Vyner		Ditto		
Uralla	W. Dewson		Ditto		
Urana	C. L. Badham		Ditto		
Wagga Wagga	L. A. Fosberry		Ditto		
Warialda	F. C. Macarthur		Ditto		
West Kempsey	J. B. Casey		Ditto		
Wingham	J. A. Creagh		Ditto		
Yass	L. Yates		Ditto		
BAILIFFS OF WARDENS' COURTS.					
Adelong	A. Anderson		Governor and Executive Council	30 0 0	
Albury	G. H. Lethbridge		Ditto	10 0 0	
Araluen	G. Taylor		Ditto	30 0 0	
Armidale	P. Dean		Ditto	30 0 0	
Bathurst	J. H. Burney		Ditto	10 0 0	
Bombala	J. M. Gleeson		Ditto	10 0 0	
Braidwood	G. F. Taylor		Ditto	10 0 0	
Carcoar	C. Higgs		Ditto	20 0 0	
Cowra	J. Muir		Ditto	20 0 0	
Forbes	G. E. Job		Ditto	20 0 0	
Grenfell	W. H. Hazelton		Ditto	20 0 0	
Gulgong	J. Davoren		Ditto	20 0 0	
Gundagai	F. Morano		Ditto	20 0 0	
Gunning	R. Sherriff		Ditto	10 0 0	
Hargraves	T. H. Price		Ditto	10 0 0	
Hill End	T. L. Smith		Ditto	30 0 0	
Ironbarks	S. Smedley		Ditto	20 0 0	
Little River	Arthur Hogan		Ditto	10 0 0	
Moruya	H. W. Barton		Ditto	20 0 0	
Mudgee	H. E. Wells		Ditto	15 0 0	
Nerrigundah	J. Shottin		Ditto	20 0 0	
Orange	J. Bastick		Ditto	20 0 0	
Parkes	C. Cawley		Ditto	30 0 0	
Rockley	R. Aldred		Ditto	10 0 0	
Sofala	J. F. M'William		Ditto	20 0 0	
Tenterfield	M. Dalhenty		Ditto	20 0 0	
Tingha	T. Jones		Ditto	20 0 0	
Trunkay	W. T. King		Ditto	10 0 0	
Tuena	C. M. Carver		Ditto	10 0 0	
Tumut	J. Carr		Ditto	10 0 0	
Tumbarumba	W. Loveridge		Ditto	20 0 0	
Vegetable Creek	W. J. Emerson		Ditto	10 0 0	
Wellington	P. Madden		Ditto	10 0 0	
Windeyer	T. H. Price		Ditto	10 0 0	
Young	J. B. Salmon		Ditto	20 0 0	
MINING SURVEYORS.					
Districts—					
Ashfield	Arnheim F. H.	30 Jan., 1875	Governor and Executive Council		
Armidale	Greaves W. A. B.	30 Jan., 1875	Ditto		
	Park A. J.	30 Jan., 1875	Ditto		
Albury	Wood J. H.	30 Jan., 1875	Ditto		
	Armstrong J.	30 Jan., 1875	Ditto		
	Berry H.	30 Jan., 1875	Ditto		
	Cowley W.	24 Feb., 1876	Ditto		
Bethungra	Cowley F.	24 Feb., 1876	Ditto		
Booligal	Griffin J. C.	13 Dec., 1876	Ditto		
Bourke	Harris E. A.	24 Feb., 1876	Ditto		
Braidwood	Knapp E. T. H.	30 Jan., 1875	Ditto		
Bingera	Loxton C. C.	26 Nov., 1877	Ditto		
	Melrose G.	18 April, 1878	Ditto		
Barrington	Menzies A.	10 Aug., 1877	Ditto		
	Murphy D. D.	24 Feb., 1876	Ditto		
Bowenfels	Mylecharane W.	30 Jan., 1875	Ditto		
Butchulla	Macharg J.	24 Feb., 1876	Ditto		
	Wyndham E. S.	24 Feb., 1876	Ditto		
Balranald	O'Connor H. A. D.	24 Feb., 1876	Ditto		
Boorowa	Riley V. B.	24 Feb., 1876	Ditto		

Fees.
Fees.
Fees.

Paid by fees; Staff Surveyors receive no extra allowance.

Office.	Name.	Date of Appointment.	By whom appointed, and under what instrument.	Annual Salary. £ s. d.	Date of first Appointment under the Colonial Government.
SECRETARY FOR MINES—MINING SURVEYORS—continued.					
<i>Districts—continued.</i>					
Cassilis	Granter J.	31 May, 1877	Governor and Executive Council		
Cooma	Betts A. C.	24 Feb., 1876	Ditto		
	Haylock C.	30 Jan., 1875	Ditto		
	Clarke C. J.	30 Jan., 1875	Ditto		
	Pears J. M.	30 Jan., 1875	Ditto		
Casino	Barling J.	30 Jan., 1875	Ditto		
	Barling R.	10 Aug., 1877	Ditto		
Coolah	Davidson W. R.	24 Feb., 1876	Ditto		
Cobar	Machattie R. R.	30 Jan., 1875	Ditto		
Cootamundra	Shobert W. A.	30 Jan., 1875	Ditto		
Cargo	Luff J.	21 Feb., 1878	Ditto		
Deniliquin	Orr W.	30 Jan., 1875	Ditto		
Dubbo	Dalgleish J. C.	24 Feb., 1876	Ditto		
	Barton E. H.	24 Feb., 1876	Ditto		
	Campbell J. A. D.	24 Feb., 1876	Ditto		
	Williams V. A.	24 Feb., 1876	Ditto		
	M'Farlane E.	24 Feb., 1876	Ditto		
England	Twynam E.	30 Jan., 1875	Ditto		
Forbes	Lisle A.	24 Feb., 1876	Ditto		
Grafton	Donaldson P. R.	30 Jan., 1875	Ditto		
	Fisher H.	30 Jan., 1875	Ditto		
Goulburn	Schleicher A.	30 Jan., 1875	Ditto		
	Dean E. R.	30 Jan., 1875	Ditto		
	Edwards W.	30 Jan., 1875	Ditto		
Glen Innes	Christie W. B.	30 Jan., 1875	Ditto		
Grenfell	Donkin J. B.	30 Jan., 1875	Ditto		
	Meldrum R. W.	24 Feb., 1876	Ditto		
Gunnedah	Goodwin T. H. W.	24 Feb., 1876	Ditto		
Gundurimbi	Hunter F. V.	24 Feb., 1876	Ditto		
Gundagai	Love A. W.	30 Oct., 1877	Ditto		
Germanton	M'Donald J. M.	30 Jan., 1875	Ditto		
George's Plains	Pechey A. J.	30 Jan., 1875	Ditto		
Hobart Town	Burgess E. J.	24 Feb., 1876	Ditto		
Hay	M'Donald R.	24 Feb., 1876	Ditto		
Inverell	Murray R. L.	30 Jan., 1875	Ditto		
	Loxton J. F.	24 Feb., 1876	Ditto		
	Finley F. G.	24 Feb., 1876	Ditto		
Kempsey, West	Herborn E.	30 Jan., 1875	Ditto		
Molong	Conolly T. W.	30 Jan., 1875	Ditto		
Moruya	Mitchell H. J. C.	24 Feb., 1876	Ditto		
Mudgee	Anderson W.	30 Jan., 1875	Ditto		
Moree	Christie W. H.	24 Feb., 1876	Ditto		
Melbourne	Creed W.	30 Jan., 1875	Ditto		
Maitland, West	Capper J. F.	24 Feb., 1876	Ditto		
Milton	Callaghan M. J.	30 Oct., 1877	Ditto		
Mittagong	Gomm E. J. F.	11 May, 1876	Ditto		
Manilla	Dowe G. L.	30 Jan., 1875	Ditto		
Moulamein	Lardner F. T.	16 June, 1877	Ditto		
Mendooran	Matthews R. M.	24 Feb., 1876	Ditto		
Murragulderie	M'Pherson A.	30 Jan., 1875	Ditto		
Murringo	Davies H. U.	11 May, 1876	Ditto		
Muswellbrook	Secombe G. T.	30 Jan., 1875	Ditto		
	Allworth J. W.	15 Nov., 1878	Ditto		
Merriwa	Worth C.	24 Feb., 1876	Ditto		
Moss Vale	Langstaff R. W.	24 Dec., 1878	Ditto		
Narrandera	Burdett F. L.	24 Feb., 1876	Ditto		
	Gleeson J. J.	24 Feb., 1876	Ditto		
Newcastle	Tucker J. J.	5 Nov., 1878	Ditto		
Narrabri	Clements J. S.	24 Feb., 1876	Ditto		
	Evans J.	30 Jan., 1875	Ditto		
Orange	Burnside J.	30 Jan., 1875	Ditto		
Quirindi	Arthur G.	7 Jan., 1878	Ditto		
Rockley	Ryan J.	11 Dec., 1878	Ditto		
Richmond, North	Pitt G. M., junior	30 Jan., 1875	Ditto		
Sydney, Church Hill	Brock R.	30 Jan., 1875	Ditto		
Balmain	Burrows W. T.	28 July, 1877	Ditto		
Pott's Point	Chatfield S.	24 April, 1877	Ditto		
Survey Office	Dale C. H.	30 Jan., 1875	Ditto		
	Fitzgerald R. D.	12 Nov., 1874	Ditto		
Macquarie-st.	Heady J.	30 Jan., 1875	Ditto		
Glebe Heights	Higgins J. J.	24 Feb., 1876	Ditto		
Wynyard-sqr.	Hyndman R. A.	13 Feb., 1877	Ditto		
Paddington	Maitland D. M., junior	30 Jan., 1875	Ditto		
St. Leonards	Mann E. P.	30 Jan., 1875	Ditto		
Mining Dept.	Pittman E. F.	1 Aug., 1878	Ditto		
	Parrott T. S.	24 April, 1877	Ditto		
	Readett W. H.	24 Feb., 1876	Ditto		
	Russell F.	30 Jan., 1875	Ditto		
	Wilkinson C. S.	16 July, 1874	Ditto		
	Young L.	17 June, 1878	Ditto		
William-street.	Stuart C.	30 Jan., 1875	Ditto		
Stroud	Elliott A.	30 Jan., 1875	Ditto		

Paid by fees; Staff Surveyors receive no extra allowance.

Office.	Name.	Date of Appointment.	By whom appointed, and under what Instrument.	Annual Salary.	Date of first Appointment under the Colonial Government.
				£ s. d.	
SECRETARY FOR MINES—MINING SURVEYORS—continued.					
<i>Districts—continued.</i>					
Scots.....	Vernon J.....	30 Jan., 1875	Governor and Executive Council		
Tumut.....	Turner E. W.....	15 Nov., 1878	Ditto.....		
Tamworth.....	Dewhurst A.....	30 Jan., 1875	Ditto.....		
Tenterfield.....	Drummond W.....	30 Jan., 1875	Ditto.....		
Tamworth.....	Loder G.....	24 Feb., 1876	Ditto.....		
Wagonga.....	Keele E. J.....	24 April, 1877	Ditto.....		
Wagga Wagga.....	Bolton C. F.....	30 Jan., 1875	Ditto.....		
	Chamberlain T. J.....	24 Feb., 1876	Ditto.....		
	Commins G. W.....	30 Jan., 1875	Ditto.....		
	Faithful G. E.....	30 Jan., 1875	Ditto.....		
	Lipscombe W. A.....	24 Feb., 1876	Ditto.....		
Wallerawang.....	Bannister E. C.....	29 Sept., 1877	Ditto.....		
Wingham.....	Hall J.....	30 Jan., 1875	Ditto.....		
Wellington.....	Chamier A. F.....	8 Aug., 1878	Ditto.....		
	Robertson J. J.....	30 Jan., 1875	Ditto.....		
Warialda.....	Harper C. A.....	30 Jan., 1875	Ditto.....		
Wellington.....	Simpson W. B.....	30 Jan., 1875	Ditto.....		
Wongonilla.....	Lucas J. H.....	24 Feb., 1876	Ditto.....		
Wentworth.....	M'Cormack M. O.....	24 Feb., 1876	Ditto.....		
Woorooma Station.....	Lardner F. T.....	16 June, 1877	Ditto.....		
Yass.....	Conroy J. M'D.....	30 Oct., 1877	Ditto.....		
Young.....	Hasie H. C.....	24 Feb., 1876	Ditto.....		
	Tozer V. F.....	30 Jan., 1875	Ditto.....		
	Sawtell E.....	30 Jan., 1875	Ditto.....		
OCCUPATION OF LANDS.					
Head Quarters—					
Officer in charge.....	Thomas Warre Harriott.....	10 Mar., 1878	Governor and Executive Council	500 0 0	7 Mar., 1862.
Pastoral Lease Branch—					
Clerk in charge.....	Gordon Mansfield.....	1 Oct., 1860	Ditto.....	250 0 0	9 Mar., 1860.
Clerks.....	Thomas Jewel Oliver ¹	10 Feb., 1862	Ditto.....	225 0 0	9 July, 1857.
	George Morgan.....	1 Sept., 1860	Ditto.....	200 0 0	1 Sept., 1860.
	Frederick William Vincent.....	14 June, 1866	Ditto.....	150 0 0	22 Mar., 1848.*
	James Roberts.....	1 Dec., 1876	Ditto.....	150 0 0	1 May, 1864.*
	Joseph Green.....	1 May, 1877	Ditto.....	100 0 0	19 Jan., 1876.
	Thomas Davis.....	1 July, 1877	Ditto.....	100 0 0	16 May, 1877.
Special Occupations, Woods and Forests Branch—					
Clerk in Charge and Accountant.....	Edmund O'Dwyer.....	8 May, 1862	Ditto.....	200 0 0	8 May, 1862.
Clerks.....	Edwin Canrobert Landers.....	3 July, 1872	Ditto.....	150 0 0	3 July, 1872.
	Alfred Sydney Day ²	1 July, 1874	Ditto.....	125 0 0	1 July, 1874.
	Arthur Alfred Daniel.....	4 Feb., 1875	Ditto.....	100 0 0	4 Feb., 1875.
				to 26 April	
				125 0 0	
				to 27 April	
	William Alexander M'Phee.....	1 Oct., 1876	Ditto.....	100 0 0	20 Sept., 1875.
	James Edmund O'Dwyer.....	1 Jan., 1877	Ditto.....	100 0 0	1 Sept., 1876.
	William Moses.....	1 June, 1878	Ditto.....	100 0 0	1 June, 1878.
Messenger (1).....				120 0 0	
Officekeeper (1) ³				70 0 0	
COMMISSIONERS OF CROWN LANDS, PASTORAL DISTRICTS.⁴					
Districts—					
Darling.....	Charles George Norman Lockhart.....	11 June, 1868	Governor and Executive Council by Commission.	500 0 0	27 Feb., 1849.
New England, South Macleay, and Liverpool Plains.	Thomas Warre Harriott ⁵	7 Oct., 1864	Ditto.....	450 0 0	7 Mar., 1862.
	succeeded by				
	George Maunsell.....	10 Mar., 1878	Ditto.....	450 0 0	13 Mar., 1858.
Albert.....	John Chadwick Woore.....	1 June, 1863	Ditto.....	450 0 0	7 Mar., 1862.
New England, North Clarence, and Gwydir.	Robert Barrington Dawson.....	1 Jan., 1872	Ditto.....	450 0 0	7 Feb., 1854.
Lachlan.....	John Sedley Futter.....	1 Jan., 1870	Ditto.....	450 0 0	11 June, 1868.
Monaro.....	William Vaughan May Cooke.....	1 Mar., 1869	Ditto.....	450 0 0	1 May, 1867.
Warrego.....	George Charles Tompson.....	1 Feb., 1875	Ditto.....	450 0 0	1 Sept., 1863.
Wellington and Bligh.....	George Fullerton.....	11 Sept., 1876	Ditto.....	450 0 0	18 May, 1871.
Murrumbidgee.....	Thomas Edwin Blomfield.....	1 Dec., 1876	Ditto.....	450 0 0	1 Dec., 1876.
Field and Office Assistants	(7).....		Secretary for Lands.....	180 0 0	each.
Campkeepers (9).....			District Commissioners.....	40 0 0	"
Survey of Runs—					
Chief Draftsman.....	Eccleston Du Faur.....	1 Jan., 1870	Governor and Executive Council	500 0 0	20 Aug., 1863.
Draftsmen.....	Francis Gerard.....	26 Sept., 1872	Ditto.....	300 0 0	19 July, 1867.
	George Alexander Mudie.....	1 May, 1874	Ditto.....	275 0 0	1 May, 1874.
	Arthur Bruce M'Minn.....	1 May, 1874	Ditto.....	250 0 0	1 May, 1874.
	Henry Samuel Walker Crummer.....	1 Jan., 1870	Ditto.....	175 0 0	1 June, 1868.
Cadets.....	Martin Patrick Finn.....	1 April, 1876	Secretary for Lands.....	75 0 0	1 April, 1876.
	Michael John Francis Gread.....	1 April, 1876	Ditto.....	75 0 0	1 April, 1876.
Messenger (1).....			Ditto.....	70 0 0	
CONSERVANCY OF FORESTS.					
Rangers, County of Cumberland.	George Cobham Watson ⁶	26 Oct., 1872	Governor and Executive Council	200 0 0	26 Oct., 1872.
Forest Rangers—	James M'Keown.....	1 June, 1878	Ditto.....	200 0 0	1 June, 1878.
Murray.....	John A. Manton ⁷	22 Sept., 1875	Ditto.....	200 0 0	22 Sept., 1875.

¹ In receipt of £75 per annum from Imperial Funds, Convict Service. ² To 26 April. ³ Allowed quarters, fuel, and light. ⁴ Each allowed £50 per annum in lieu of quarters. ⁵ Appointed Officer in charge of Department. ⁶ Allowed forage for a horse. ⁷ Allowed £20 per annum for office rent. * Services not continuous.

Office.	Name.	Date of Appointment.	By whom appointed, and under what Instrument.	Annual Salary. £ s. d.	Date of first Appointment under the Colonial Government.	
SECRETARY FOR MINES—OCCUPATION OF LANDS—continued.						
Forest Rangers— <i>continued.</i>						
Adelong	Robert James Cork	11 May, 1877	Secretary for Lands	£200 each	11 May, 1877.	
Clarence	William Allen	1 Mar., 1876	<i> </i> Ditto		1 Mar., 1876.	
Macleay	Israel Noake	1 April, 1876	<i> </i> Ditto		11 Oct., 1875.	
Murray	James G. Condell	1 Oct., 1876	<i> </i> Ditto		1 Oct., 1876.	
	Osborne Wilshire	12 Oct., 1877	<i> </i> Ditto		12 Oct., 1877.	
	Edwin Docker ¹	3 Oct., 1876	<i> </i> Ditto		3 Oct., 1876.	
	Samuel Payten	21 Sept., 1876	<i> </i> Ditto		21 Sept., 1876.	
Naranderra	Edward Mason	1 Oct., 1876	<i> </i> Ditto		1 Oct., 1876.	
Richmond River	Thomas H. Green	1 Jan., 1876	<i> </i> Ditto		1 Jan., 1876.	
Nowra	Thomas Musgrave	27 May, 1876	<i> </i> Ditto		15 Oct., 1869.*	
Head Quarters (Sydney) (Unattached)	William Francis Piper	1 Nov., 1876	<i> </i> Ditto	1 May, 1863.		
Cowra	Francis Edwards	1 Nov., 1876	<i> </i> Ditto	1 Nov., 1876.		
Narrabri	Robert Stevenson	14 Mar., 1877	<i> </i> Ditto	14 Mar., 1877.		
Gosford	James Ward	19 Mar., 1877	<i> </i> Ditto	19 Mar., 1877.		
Lord Howe's Island	Edward Thornton	19 Mar., 1877	<i> </i> Ditto	19 Mar., 1877.		
Engine-driver, steam-launch "Neptune," Murray River.	Richard R. Armstrong	1 Sept., 1878	<i> </i> Ditto	1 Sept., 1878.		
Caretakers of Forest Reserves—	(1)		<i> </i> Ditto	£10 $\frac{7}{12}$ month		
Bottle Forest Reserve	John Higginson ²	1 Nov., 1876	<i> </i> Ditto	10s. $\frac{7}{12}$ diem when employed in ranging Forests.	1 Nov., 1876.	
Nundle Forest Reserve	Samuel Kermode	26 Aug., 1876	<i> </i> Ditto		26 Aug., 1876.	
Bindo Forest Reserve	Jeremiah Wilson	27 Aug., 1877	<i> </i> Ditto		27 Aug., 1877.	
<p>¹ To 30 November—resigned, ² To 30 September. * Services not continuous.</p>						
SHEEP INSPECTORS.						
Chief Inspector of Sheep	Alexander Bruce	27 Jan., 1864	Governor and Executive Council	500 0 0	24 Dec., 1861.	
Clerk	Edwd. Christopher Weller	1 Oct., 1873	<i> </i> Ditto	150 0 0	5 Nov., 1870.	
Temporary Clerk	Thos. Cooper Hinchcliffe	21 July, 1875	Secretary for Lands	10s. per diem	21 July, 1875.	
Messenger (1)				125 0 0		
Officekeeper (1) ¹				48 0 0		
Inspectors for the Districts of—						
Albury	James C. W. Crommelin	9 June, 1876	Governor and Executive Council, on nomination of Sheep Directors.	350 0 0	8 July, 1872.	
Armidale	Arthur Joseph Maister	10 June, 1873	<i> </i> Ditto	150 0 0	10 June, 1873.	
Balranald	John M'Leod	18 April, 1867	<i> </i> Ditto	350 0 0	3 June, 1862.	
Bathurst	T. L. P. Croaker	3 Sept., 1867	<i> </i> Ditto	150 0 0	3 Sept., 1867.	
Bourke	Frank E. Bloxham	21 Sept., 1877	<i> </i> Ditto	250 0 0	21 Sept., 1877.	
Braidwood	W. J. Bennison	8 Dec., 1876	<i> </i> Ditto	50 0 0	8 Dec., 1876.	
Carcoar	Joseph W. West	27 Feb., 1877	<i> </i> Ditto	150 0 0	27 Feb., 1877.	
Cooma	William Wallace ²	22 May, 1875	<i> </i> Ditto	250 0 0	22 May, 1875.	
	<i> </i> succeeded by					
	Ferdinand J. Keon	13 Dec., 1878	<i> </i> Ditto	250 0 0	13 Dec., 1878.	
Coonabarabran	John Kennedy	8 Mar., 1870	<i> </i> Ditto	150 0 0	8 Mar., 1870.	
Corowa	Robert Lowes, J.P.	1 Dec., 1876	<i> </i> Ditto	350 0 0	1 Dec., 1876.	
Deniliquin	Alexander M'Collough	1 Nov., 1874	<i> </i> Ditto	350 0 0	1 Nov., 1874.	
Dubbo	David Bell ³	7 Nov., 1876	<i> </i> Ditto	250 0 0	7 Nov., 1876.	
	<i> </i> and					
Eden	John Thomas Tresilian	28 Dec., 1861	<i> </i> Ditto	200 0 0	28 Dec., 1861.	
	<i> </i> and					
	18 April, 1867					
Forbes	William Whitten Davis	14 July, 1871	<i> </i> Ditto	200 0 0	14 July, 1871.	
Glen Innes	Charles Bruce Lowe	13 Jan., 1871	<i> </i> Ditto	250 0 0	13 Jan., 1871.	
Goulburn	Frederick M. Charteris	7 May, 1867	<i> </i> Ditto	150 0 0	7 June, 1864.	
Grafton	Walter Hindmarsh	26 Oct., 1875	<i> </i> Ditto	50 0 0	26 Oct., 1875.	
Gundagai	Jeremiah Sheahan	16 Dec., 1875	<i> </i> Ditto	150 0 0	16 Dec., 1875.	
Hay	John Austin Keighran	1 Nov., 1874	<i> </i> Ditto	350 0 0	1 Nov., 1874.	
Hume	Gordon Bruce	22 Mar., 1867	<i> </i> Ditto	200 0 0	17 July, 1866.	
Maitland	Thomas Burness	21 June, 1867	<i> </i> Ditto	250 0 0	2 Jan., 1865.	
Menindie	Charles W. Litchfield	1 Nov., 1876	<i> </i> Ditto	250 0 0	1 Nov., 1876.	
Merriwa	John Roper	9 April, 1868	<i> </i> Ditto	150 0 0	9 April, 1868.	
Mudgee	Henry Single	8 Sept., 1874	<i> </i> Ditto	150 0 0	8 Sept., 1874.	
Narrabri	A. W. P. Copeman	25 Aug., 1876	<i> </i> Ditto	150 0 0	25 Aug., 1876.	
Port Macquarie	John Ducat	8 June, 1869	<i> </i> Ditto	100 0 0	8 June, 1869.	
Singleton	Edward Alford	9 April, 1867	<i> </i> Ditto	150 0 0	22 Sept., 1865.	
Sydney	George S. Yeo	10 Mar., 1868	<i> </i> Ditto	250 0 0	17 Nov., 1865.	
Tamworth	William Darley Dowe	30 April, 1875	<i> </i> Ditto	150 0 0	30 April, 1875.	
Wagga Wagga	C. J. Brentnail	30 July, 1867	<i> </i> Ditto	250 0 0	9 Sept., 1864.	
Warialda	F. W. Ridley	18 April, 1867	<i> </i> Ditto	250 0 0	15 Mar., 1864.	
Wentworth	Andrew M'Clymont	18 April, 1867	<i> </i> Ditto	350 0 0	3 June, 1862.	
Windsor	George Alfred Cleeve	14 Feb., 1868	<i> </i> Ditto	250 0 0	14 Feb., 1868.	
Yass	Thomas Turner	20 Dec., 1867	<i> </i> Ditto	150 0 0	16 Aug., 1864.	
Young	Charles C. Wildash	28 April, 1867	<i> </i> Ditto	150 0 0	16 Aug., 1864.	
<p>¹ Allowed quarters, fuel, and light. ² To 23 September—resigned. ³ To 1 October—resigned.</p>						
<p>NOTE.—Inspectors with salaries of £100 and under allowed £2 10s. for postage and stationery; the other Inspectors, except Sydney, allowed £5 each. N.B.—All the Inspectors are Deputy Registrars of Brands, with an allowance of £25 per annum, excepting the Chief Inspector, who receives an allowance of £50 per annum. The Chief Inspector receives £50 per annum in lieu of forage. He gives security for £200.</p>						
CATTLE INSPECTORS.						
District of Sydney	Geo. S. Yeo ¹	29 May, 1868	Governor and Executive Council	Nil.	17 Nov., 1865.	
" Eden	John T. Tresilian ¹	1 Sept., 1863	<i> </i> Ditto			28 Dec., 1861.
" Newcastle	Thomas Burness ¹	2 Jan., 1865	<i> </i> Ditto			2 Jan., 1865.
<p>¹ Also Sheep Inspectors.</p>						
BRANDS.						
Registrar of Brands	Alexander Bruce	1 July, 1874	Under Act 37 Vic. No. 17	50 0 0	24 Dec., 1861.	
Assistant Registrar of Brands	Edward William Byrne ¹	21 Sept., 1872	Governor and Executive Council	250 0 0	13 Aug., 1862.	
Clerk	George Jocelin Robinson	22 June, 1870	<i> </i> Ditto	200 0 0	1 May, 1857.	
Temporary Clerk	Henry J. Foster	1 Nov., 1877	Secretary for Lands	10s. per diem	7 Dec., 1876.	
Deputy Registrars—Country Districts (35)				25 0 0	each.	
<p>¹ Gives security to the amount of £100.</p>						

Office.	Name.	Date of Appointment.	By whom appointed, and under what Instrument.	Annual Salary.	Date of first Appointment under the Colonial Government.
				£ s. d.	
SECRETARY FOR MINES—continued					
SHEEP DIRECTORS.					
Districts—	Samuel Watson				
Albury	James Day	11 Feb., 1878	{ Elected by the Sheepowners of the District.		
	William J. Lyne				
	Thomas J. Gibson				
	Charles H. Douglas				
	C. D. Fenwick				
Armidale	David Bell	29 Mar., 1878	{ Secretary for Lands, on nomination of Chief Inspector of Sheep.		
	Edwin C. Bloomfield				
	John Gill				
	Sydney Darley				
	G. A. Mein				
Balranald	S. H. Officer	29 Mar., 1878	Ditto		
	John Bertram				
	J. Park D. Laurie				
	Peter Macpherson				
Bathurst	Henry Rotton	29 Mar., 1878	Ditto		
	Charles M'Phillamy				
	John Newell Gilmour				
	John M'Kinnon				
	Frederick Treweeke				
	David Morrice				
Berrima	W. J. Cordeaux	29 Mar., 1878	Ditto		
	A. Carter				
	Francis Thompson				
	W. Hindmarsh				
	Robert A. Molesworth	29 Mar., 1878	Ditto		
Booligal	George C. Loughnan				
	Walter Tully	6 Sept., 1878	Ditto		
	John Armstrong				
	Edward Webster				
	Wickstedt Barton				
Bourke	Robert Mockridge	29 Mar., 1878	Ditto		
	Arthur Wilson				
	William Scott				
	Joseph W. Fletcher				
	R. Maddrell				
Braidwood	William T. Flanagan	29 Mar., 1878	Ditto		
	David Ross				
	W. Gordon				
	James M'Aulay				
	Arthur G. Langmore				
Breewarrina	William Dixon	29 Mar., 1878	Ditto	Nil.	
	James H. Doyle				
	Wm. H. Hammond				
	Colin Fraser				
	T. L. Richardson				
Cannonbar	John Brown	29 Mar., 1878	Ditto		
	J. B. Dalhanty				
	E. S. Antil				
	H. Wharton				
	Henry Barnes, J.P.				
Casino	W. C. Bundock, J.P.	29 Mar., 1878	Ditto		
	G. Sparke				
	C. Edwards				
	A. M. Girard				
	Nathaniel Connelly, jun., J.P.				
Carcoar	Thomas R. Icely, J.P.	29 Mar., 1878	Ditto		
	William M. Rothery, J.P.				
	James Hall, J.P.				
	Stephen G. Alford, J.P.				
	David Watt				
Coonabarabran	T. L. Ingham	29 Mar., 1878	Ditto		
	Samuel Hole				
	H. H. Kelly				
	James Murphy				
	Arthur Bloomfield				
Cooma	W. C. Herbert	29 Mar., 1878	Ditto		
	John Cosgrove, sen.				
	A. W. Brookes				
	David Ryrie				
	William Dennis				
Condobolin	William Oliver	31 Oct., 1878	Ditto		
	J. B. Donkin				
	G. M. Fox	29 Nov., 1878	Ditto		
	J. P. Rowe				
	Alexander Sloane				
Corowa	George D. Hay	29 Mar., 1878	Ditto		
	Alexander M'Vean				
	Patrick M'Farland				
	John G. Gray				
	Robert Patterson				
Deniliquin	James H. Davidson	29 Mar., 1878	Ditto		
	Frederick L. Parker				
	Phillip Tracey				
	Charles W. Brown				

Office.	Name.	Date of Appointment.	By whom appointed, and under what instrument.	Annual Salary.	Date of first Appointment under the Colonial Government.
				£ s. d.	
SECRETARY FOR MINES—SHEEP DIRECTORS—continued.					
Districts—	Joseph Penzer, J.P.				
Dubbo	M. E. Maher	29 Mar., 1878	Secretary for Lands, on nomination of Chief Inspector of Sheep.		
	J. C. Ryrie				
	R. G. B. Gaden				
	E. Flood, junr.				
Eden	Henry T. Edwards, J.P.	29 Mar., 1878	Ditto		
	Alexander M'Keachie				
	Ronald Campbell, J.P.				
	John Cruickshank, J.P.				
	H. M. Joseph				
Forbes	Josiah Strickland	29 Mar., 1878	Ditto		
	Hanbury Clements				
	Samuel H. Smith				
	Reginald Dowling, J.P.				
	Edward Pearson, J.P.				
Glen Innes	Augustus R. Fraser	29 Mar., 1878	Ditto		
	P. Colin Campbell	6 Aug., 1878			
	William Henry Walker	4 Oct., 1878			
	James Clark	22 Nov., 1878			
	Alexander Cruickshank				
	F. R. L. Rossi				
Goulburn	Andrew Gibson	29 Mar., 1878	Ditto		
	A. W. Holt				
	R. C. Cooper				
	A. S. Podmore				
	William Boote				
Gundagai	Angus Rankin	29 Mar., 1878	Ditto		
	James Osborne				
	James Beveridge				
	P. J. O'Donnell				
	Thomas Bawden, M.P.				
Grafton	William Small, J.P.	29 Mar., 1878	Ditto		
	J. T. Jardine				
	Thomas H. Smith				
	S. Buchan				
	Ewen M'Pherson				
Hay	Andrew M'Farland	11 Feb., 1878	{ Elected by the Sheepowners of the District.....		
	George Mair				
	Duncan Sinclair				
	James Russell				
	James M'Laurin				
Hume	Thomas Mitchell	29 Mar., 1878	{ Secretary for Lands, on nomination of Chief Inspector of Sheep.....	Nil.	
	John Tinker				
	Alexander Ross				
	Edward M'Cartney				
	William Christian				
	Charles Capp				
Maitland	W. C. Hetherington	29 Mar., 1878	Ditto		
	M. S. Christian				
	Theophilus Cooper				
	James B. Bettington				
Merriwa	Frederick Brown	29 Mar., 1878	Ditto		
	Joseph Cooper				
	Charles F. Clive				
	Frederick White				
	N. Sadlier				
	J. Henderson				
Menindie	F. E. Vandeleur	29 Mar., 1878	Ditto		
	H. Phillips				
	E. B. L. Dickens				
	H. S. M. Betts				
	H. C. Wall				
Molong	F. J. Smith	29 Mar., 1878	Ditto		
	C. Icely				
	George Bruce	19 Nov., 1878	Ditto		
	J. R. Smart				
	C. E. Doyle				
Moree	A. W. Bucknell	29 Mar., 1878	Ditto		
	P. C. Watt				
	Alexander Munro				
	Nicholas P. Bayly				
	George Rouse				
Mudgee	James Atkinson	11 Feb., 1878	{ Elected by the Sheepowners of the District		
	R. W. Cox				
	Samuel A. Blackman				
	J. Henry Douglas				
Naranderra	J. Holloway	29 Mar., 1878	{ Secretary for Lands, on nomination of Chief Inspector of Sheep.....		
	Robert Mitchell				
	Frank Jenkins				
	Duncan Robertson	20 Sept., 1878	{ Elected by the Sheepowners of the District		
	Alfred John Doyle, J.P.				
	D. M. Frazer				
Narrabri	William Pirie, J.P.	29 Mar., 1878	{ Secretary for Lands, on nomination of Chief Inspector of Sheep.....		
	A. B. Lomax				
	Hamlet Fletcher				

Office.	Name.	Date of Appointment.	By whom appointed, and under what Instrument.	Annual Salary.	Date of first Appointment under the Colonial Government.
				£ s. d.	
SECRETARY FOR MINES—SHEEP DIRECTORS—continued.					
<i>Districts—continued.</i>					
Pictou	R. L. Jenkins	29 May, 1878	{ Secretary for Lands, on nomination of Chief Inspector of Sheep		
	E. B. Woodhouse, J.P.				
	Edward Larkin				
Pilliga	J. C. Irving	6 Dec., 1878	Ditto		
	T. Chippendale				
	Thos. G. G. Dangar, M.P.				
Port Macquarie	George Loder	29 Mar., 1878	Ditto		
	William Evans				
	Peter Leslie				
Port Stephens	David Cormie	29 Mar., 1878	Ditto		
	T. G. Wilson				
	T. W. Palmer				
Queanbeyan	James Baird M'Ivor	29 Mar., 1878	Ditto		
	W. D. Scott				
	G. T. Tingcombe				
Singleton	A. Andrews	29 Mar., 1878	Ditto		
	A. T. Laurie				
	J. Higgins				
Sydney	A. Laurie	29 Mar., 1878	Ditto		
	J. Barling				
	J. J. Wright				
Tamworth	Thomas Shanahan	29 Mar., 1878	Ditto		
	G. F. De Salis				
	C. A. Massey				
Urana	John M'Namarra	11, Feb., 1878	{ Elected by the Sheepowners of the District		
	John Brown				
	George Loder				
Wagga Wagga	John Alford	29 Mar., 1878	Ditto		
	J. C. M'Dowall				
	E. Parnell				
Walgett	Richard Hill	29 Mar., 1878	Ditto		
	John Lackey, M.P.				
	Edward Flood				
Warialda	J. B. Rundle	29 Mar., 1878	Ditto		
	Charles M'Kay				
	P. G. King				
Wentworth	John Gill	29 Mar., 1878	Ditto		
	Herbert M'Carthy				
	Charles P. Gruggen				
Windsor	J. M. L. M'Donald	29 Mar., 1878	Ditto		
	Charles M. Lloyd				
	Robert H. Riddell				
Young	Alexander Wilson	1 Oct., 1878	{ Elected by the Sheepowners of the District		
	Joseph Weir				
	William Faed				
Yass	T. W. Hammond	29 Mar., 1878	{ Secretary for Lands, on nomination of Chief Inspector of Sheep		
	W. O. Windeyer				
	Richard Cox				
Wentworth	John King	29 Mar., 1878	Ditto		
	G. P. Wilson				
	James R. Doyle				
Wentworth	Gustavus A. Murray	29 Mar., 1878	Ditto		
	D. M. Rose				
	Thomas Britten				
Wentworth	John Burkett	29 Mar., 1878	Ditto		
	Daniel Capel				
	George W. Dight				
Wentworth	James W. Scott	29 Mar., 1878	Ditto		
	G. H. Gordon				
	Hugh M'Donald				
Wentworth	Thomas C. Brooke	29 Mar., 1878	Ditto		
	D. H. Cudmore				
	Duncan Macpherson				
Wentworth	Robert M'Farlane	29 Mar., 1878	Ditto		
	William Crozier				
	William Lamrock				
Wentworth	J. D. Single	29 Mar., 1878	Ditto		
	Andrew Town				
	J. K. Cleeve				
Wentworth	J. K. Lethbridge	29 Mar., 1878	Ditto		
	John F. Gray				
	John M'Bean				
Wentworth	Peter Besnard	1 Oct., 1878	{ Elected by the Sheepowners of the District		
	R. P. Johnston, jun.				
	Rees Jones				
Wentworth	John Pring	29 Mar., 1878	{ Secretary for Lands, on nomination of Chief Inspector of Sheep		
	George Campbell				
	W. D. Campbell				
Wentworth	Alexander Mackay	29 Mar., 1878	Ditto		
	George Telford				

PART X.

Secretary for Public Works,

AND THE

DEPARTMENTS UNDER HIS SUPERVISION AND CONTROL.

SUMMARY.

Public Works	102
Railways	102
Roads	107
Colonial Architect	108
Board for opening Tenders for Public Works	109
Harbours and River Navigation:—	
Engineer's Department	109
Steam Dredge "Samson"	111
Steam Dredge "Hercules"	111
Steam Dredge "Titan"	112
Steam Dredge "Vulcan"	112
Steam Dredge "Hunter"	112
Steam Dredge "Fitz Roy"	113
Steam Dredge "Pluto"	113
Steam Dredge "Newcastle"	113
Steam Dredge "Clarence"	114
Steam Dredge "Archimedes"	114
Fitz Roy Dry Dock	114

SECRETARY FOR PUBLIC WORKS.

Office.	Name.	Date of Appointment.	By whom appointed, and under what Instrument.	Annual Salary.	Date of first Appointment under the Colonial Government.
				£ s. d.	
PUBLIC WORKS.					
Secretary for Public Works	John Sutherland	21 Dec., 1877	Governor and Executive Council, by Commission.	1,500 0 0	27 Oct., 1868.*
	succeeded by				
	John Lackey	21 Dec., 1878	Ditto	1,500 0 0	2 Feb., 1870.*
Under Secretary	John Rae ¹	15 Jan., 1861	Ditto	800 0 0	1 Jan., 1854.
Chief Clerk	Gerald Halligan	1 Oct., 1859	Governor and Executive Council	500 0 0	13 May, 1848.
Corresponding Clerk	William Forde	1 May, 1872	Ditto	350 0 0	1 Mar., 1859.
Record Clerk	Charles B. Airey	1 June, 1877	Ditto	225 0 0	26 July, 1876.
				to 31 Oct.	
				300 0 0	
				from 1 Nov.	
Assistant Record Clerk	James Orr Trimble	1 Jan., 1874	Ditto	225 0 0	1 Jan., 1874.
Cadets	George J. Forsyth	22 Feb., 1877	Ditto	75 0 0	22 Feb., 1877.
	Herbert E. Roseby	11 Dec., 1878	Secretary for Public Works	52 0 0	11 Dec., 1878.
Messengers (2)			Ditto	{ ² 1 at 150 0 0	
				{ ³ 1 at 125 0 0	
Boy Messenger (1)			Ditto	52 0 0	
Housekeeper (1)			Ditto	52 0 0	
¹ Gives security to the amount of £200. ² Allowed £50 per annum in lieu of quarters. ³ Allowed £25 per annum in lieu of quarters. * Services not continuous.					
RAILWAYS.					
Commissioner	John Rae	15 May, 1872	Governor and Executive Council, by Commission.	(See above)	1 Jan., 1854.
	succeeded by				
	Charles Augustus Goodchap.	21 Jan., 1878	Ditto	1,000 0 0	7 Jan., 1854.
Secretary	Charles Augustus Goodchap	1 Jan., 1874	Governor and Executive Council	600 0 0	7 Jan., 1854.
	succeeded by				
	Donald Vernon	21 Jan., 1878	Ditto	600 0 0	— Aug., 1859.
Accountant	Francis J. Wickham	1 Sept., 1875	Ditto	450 0 0	20 May, 1860.
Chief Clerk	George Berner	1 Oct., 1878	Ditto	350 0 0	22 Jan., 1869.
Cashier	John T. Bryant ¹	6 Nov., 1869	Ditto	350 0 0	1 Dec., 1864.
Record Clerk	Lancelot P. Iredale	12 Aug., 1872	Ditto	275 0 0	4 Mar., 1867.
Assistant Cashier	James R. Neale ²	1 Jan., 1872	Ditto	300 0 0	1 Jan., 1867.
Clerks	George Berner ³	22 Jan., 1869	Ditto	275 0 0	22 Jan., 1869.
	Henry Percy G. Williams	1 Sept., 1866	Ditto	250 0 0	15 Jan., 1861.
Assistant Book-keeper	Joseph S. Dean	6 Feb., 1875	Secretary for Public Works	250 0 0	2 Feb., 1874.
Clerks	Duncan C. M'Lachlan	12 Aug., 1872	Governor and Executive Council	225 0 0	1 Sept., 1869.
	Thomas F. Elliott	1 Feb., 1878	Secretary for Public Works	200 0 0	— Aug., 1875.
	James Glen	1 Jan., 1876	Governor and Executive Council	200 0 0	18 Mar., 1870.*
	Arthur Springthorpe	1 Sept., 1876	Ditto	200 0 0	— Feb., 1875.
	John J. Ware	19 Sept., 1878	Secretary for Public Works	200 0 0	15 May, 1877.
	Richard Ramsden ⁴	19 Feb., 1877	Ditto	200 0 0	23 Dec., 1875.
Ticket Clerks	Eugene Lewis	1 Sept., 1872	Governor and Executive Council	175 0 0	10 Jan., 1870.
	Hugh M'Lachlan	31 Oct., 1878	Secretary for Public Works	150 0 0	1 Feb., 1875.
	James S. Spurway	21 Mar., 1876	Ditto	100 0 0	21 Mar., 1876.
	Frank C. Allworth	7 May, 1878	Ditto	150 0 0	19 Jan., 1878.
	Thomas S. Landers	15 Mar., 1877	Ditto	50 0 0	15 Mar., 1877.
				to 31 Mar.	
				75 0 0	
				from 1 April.	
	Fergus N. Langley	23 Nov., 1877	Ditto	10/- Ψ diem	23 Nov., 1877.
	Nicholas O. Lane	14 Dec., 1877	Ditto	150 0 0	14 Dec., 1877.
	William A. Hellyer	13 June, 1878	Ditto	150 0 0	13 June, 1878.
	George Goold ⁵	22 June, 1875	Ditto	11/- Ψ diem	22 June, 1875.
	succeeded by				
	Ernest B. Taylor	1 Nov., 1878	Ditto	9/- Ψ diem	1 Nov., 1878.
Cadet	Henry Schwartzkoff	16 Nov., 1878	Ditto	52 0 0	16 Nov., 1878.
Land Valuers	James Byrnes	20 July, 1875	Governor and Executive Council	600 0 0	20 July, 1875.
	Henry Robertson	6 Nov., 1874	Ditto	550 0 0	28 Sept., 1859.*
Surveyor and Draftsman	Adam A. Jackson	1 Jan., 1878	Secretary for Public Works	350 0 0	19 Nov., 1874.
Draftsman	Frederick G. Rae	1 Jan., 1878	Ditto	250 0 0	2 April, 1874.
Clerk	Alfred Brown	1 Jan., 1878	Ditto	200 0 0	1 Jan., 1876.
Messengers (2)			Commissioner for Railways	{ 1 at 0 7 6	per diem.
				{ 1 at 100 0 0	
				{ 2 at 52 0 0	each.
				{ 1 at 30 0 0	
				{ 1 at 25 0 0	
Office-keepers (4)			Ditto		
Wages Branch.					
First Clerk	Robert J. Sheridan	1 Sept., 1878	Governor and Executive Council	375 0 0	4 Feb., 1861.
Clerks	John P. Finegan	1 Sept., 1878	Ditto	210 0 0	1 Mar., 1867.
	Arthur W. Tompson	1 Sept., 1878	Ditto	190 0 0	23 May, 1871.
	Thomas Skellett	1 Sept., 1878	Secretary for Public Works	175 0 0	19 Oct., 1869.
	Matthew Doyle	1 Sept., 1878	Ditto	£1 Ψ week	13 Aug., 1877.
	George Stephenson	1 Sept., 1878	Ditto	£1 Ψ week	7 Nov., 1877.
¹ Gives security to the amount of £4,000. ² Gives security to the amount of £2,000. ³ Promoted. ⁴ Gives security to the amount of £300. ⁵ To 11 September. * Services not continuous.					
NOTE.—Wages Branch: From 1 January to 31 August these officers were in the Engineer for Existing Lines of Railways Branch.					

Office.	Name.	Date of Appointment.	By whom appointed, and under what Instrument.	Annual Salary. £ s. d.	Date of first Appointment under the Colonial Government.
SECRETARY FOR PUBLIC WORKS—RAILWAYS—continued.					
<i>Locomotive Engineer.</i>					
Locomotive Engineer	Robert Harvey Burnett	23 Sept., 1878	Governor and Executive Council	1,000 0 0	23 Sept., 1878.
Locomotive Overseer.....	William Scott	1 Sept., 1860 and 1 Aug., 1866	Ditto	500 0 0	— Sept., 1855.
Locomotive Foreman.....	Thomas Boag	23 Nov., 1860 and 1 Aug., 1866	Ditto	400 0 0	23 Nov., 1860.
Chief Clerk.....	Charles Alfred Neale	9 Oct., 1878	Secretary for Public Works	250 0 0	— Aug., 1868.
Record Clerk	M'Vey Napier Falconer, jr.	9 Sept., 1878	Ditto	150 0 0	6 Jan., 1875.
Draftsmen	Andrew Fairley Waldie	— Sept., 1878	£5 10/ per week	— Sept., 1878.
	James Chambers	— June, 1878	Engineer for Existing Lines.....	£3 per week	— June, 1878.
	William H. Booth	— Sept., 1878	Locomotive Engineer.....	£3 per week	— Sept., 1878.
Copying Clerk (Temporary)	Alexander Salmon	5 Dec., 1878	Ditto	7/6 per diem	5 Dec., 1878.
<i>Engineer for Existing Lines of Railways.</i>					
Engineer for Existing Lines	William Mason	1 Oct., 1876	Governor and Executive Council	1,000 0 0	11 June, 1856.
Chief Assistant Engineer ...	George Cowdery	24 July, 1878	Secretary for Public Works	600 0 0	24 Nov., 1862.*
Clerk of Permanent Way Branch, Great Southern, Western, and Richmond Railways.	George Landers	1 Dec., 1877	Ditto	300 0 0	1 Feb., 1863.*
Record Clerk	David H. Armstrong	1 Dec., 1877	Ditto	200 0 0	16 Nov., 1876.
Clerks	John W. Muddle.....	1 Oct., 1876	Ditto	110 0 0 to 23 April 150 0 0 from 24 April	20 Oct., 1875.
	John Mackenzie	20 Jan., 1878	Engineer for Existing Lines.....	£3 per week to 31 October £3 10/ per week from 1 Novr.	20 Mar., 1877.
Draftsmen	George Cowdery ¹	1 July, 1877	Secretary for Public Works	400 0 0	24 Nov., 1862.*
	George Downe	30 July, 1877	Engineer for Existing Lines.....	20/ per diem to 30 Nov. 25/ per diem from 1 Dec.	30 July, 1877.
	John Melrose	27 Dec., 1876	Ditto	15/ per diem	27 Dec., 1876.
	Alfred Leggett	1 June, 1878	Secretary for Public Works.....	300 0 0	1 June, 1878.
Superintendent of Way and Works, Great Northern Railway.	George Bewick.....	7 June, 1863 and 1 Aug., 1866	Governor and Executive Council	450 0 0	19 Aug., 1858.
Inspector of Way and Works Great Southern, Western, and Richmond Railways.	Joseph Lewton.....	17 Mar., 1859 and 1 Aug., 1866	Ditto	300 0 0	5 Aug., 1858.
Inspector of Way and Works, Great Northern Railway.	James Duffy.....	18 Jan., 1862 and 1 Aug., 1866	Ditto	275 0 0	1 Jan., 1860.
Messenger (1).....	Secretary for Public Works	100 0 0
Office-keeper (1)	Ditto	25 0 0 to 30 Nov. 50 0 0 from 1 Dec.
<i>Engineer-in-Chief for Railways.</i>					
Engineer-in-Chief	John Whitton ²	27 Mar., 1856	Governor and Executive Council	1,800 0 0	27 Mar., 1856.
Assistant Engineer	John William Drewett	1 Jan., 1876	Ditto	600 0 0	11 June, 1856.
Chief Clerk.....	William Henry Quodding..	1 May, 1870	Ditto	450 0 0	8 Oct., 1857.
Clerks	Arthur Robert Monday	20 May, 1872	Secretary for Public Works	175 0 0	20 Jan., 1869.*
	George Thirlwell Wilkinson	11 Nov., 1873	Ditto	150 0 0	11 Nov., 1873.
	Alfred George Hartnoll	9 June, 1875	Ditto	150 0 0	9 June, 1875.
	Henry Keck Carpenter	22 June, 1876	Ditto	100 0 0	22 June, 1876.
Draftsmen	George Wm. Alfred Bayley	1 Sept., 1867	Governor and Executive Council	425 0 0	1 Sept., 1867.
	George Cotton Clark	1 Sept., 1867	Ditto	400 0 0	1 Sept., 1867.
	Macnamara Russell.....	1 Oct., 1873	Secretary for Public Works	350 0 0	25 July, 1867.*
	Henry Barker	1 July, 1869	Governor and Executive Council	300 0 0	16 Sept., 1867.
	Edwin Robins Thomas	14 Nov., 1866	Ditto	300 0 0	14 Nov., 1866.
	William John Fitzgerald... ..	16 Jan., 1873	Ditto	300 0 0	16 Jan., 1873.
	Edward Gjedsted	23 Dec., 1873	Secretary for Public Works	250 0 0	23 Dec., 1873.
	James Alfred Radcliffe	1 June, 1877	Ditto	250 0 0 to 31 Oct. 300 0 0 from 1 Novr.	1 June, 1877.
	Donald Gregor Grant Commons.	14 June, 1878	Ditto	250 0 0	14 June, 1878.
	Charles Stuart Cansdell	1 Nov., 1875	Ditto	150 0 0 to 30 June. 200 0 0 from 1 July.	4 Nov., 1874.
Assistant Draftsmen	Reginald Fyers Mann.....	14 Dec., 1875	Ditto	100 0 0 to 30 June 150 0 0 from 1 July.	14 Dec., 1875.
	John James Jamieson.....	15 May, 1877	Ditto	100 0 0 to 31 July 150 0 0 from 1 Aug.	15 May, 1877.

¹ To 23 July—see above.

² Allowed 8s. per diem in lieu of forage for two horses, and 40s. per diem travelling expenses when absent on duty.

* Services not continuous.

Office.	Name.	Date of Appointment.	By whom appointed, and under what instrument.	Annual Salary. £ s. d.	Date of first Appointment under the Colonial Government.
SECRETARY FOR PUBLIC WORKS—RAILWAYS—continued.					
<i>Engineer-in-Chief for Railways—continued.</i>					
Assistant Draftsmen—con.	Maurice L. Simpkins ¹	13 May, 1878	Secretary for Public Works.....	125 0 0	13 May, 1878.
	William Charles Grey.....	22 Sept., 1878	Ditto	100 0 0 to 30 Sept.	5 Jan., 1874.
				150 0 0 from 1 Oct.	
	Edwin Molloy Halligan ...	1 Sept., 1878	Ditto	100 0 0	2 Feb., 1875.
	William Bullard	1 July, 1878	Ditto	100 0 0	1 Jan., 1876.
Custodian of Plans	Robert Stenhouse	15 Feb., 1875	Ditto	85 0 0 to 30 June.	5 April, 1874.
				100 0 0 from 1 July.	
Resident Engineers	Thomas Rhodes Firth ² ...	1 Jan., 1875	Ditto	700 0 0	3 Mar., 1863.
	William Burton Wade ³ ...	1 Sept., 1876	Ditto	700 0 0	8 Feb., 1859.*
District Engineers ⁴	Henry Quodling ⁵	22 April, 1874	Ditto	500 0 0	5 Feb., 1861.*
	Kenneth Mackenzie.....	10 Mar., 1875	Ditto	500 0 0	2 Sept., 1862.
	Gother Frederick Mann	26 Nov., 1874	Ditto	500 0 0	1 Feb., 1857.*
	George Jamieson.....	1 Oct., 1877	Ditto	500 0 0	31 May, 1861.*
	C. E. Nicholas	29 June, 1878	Ditto	500 0 0	29 June, 1878.
Assistant ditto	Wm. Glover ⁶	6 Sept., 1875	Ditto	350 0 0	6 Sept., 1875.
Assistant to District Engineer	John D. Francis ⁷	1 June, 1877	Ditto	250 0 0	1 June, 1877.
Assistant Engineer in Charge of Trial Surveys.	Herbert Palmer ⁸	1 Jan., 1875	Ditto	600 0 0 to 30 April.	19 Sept., 1867.*
				700 0 0 from 1 May.	
Surveyors	Thomas Kennedy ⁹	3 Nov., 1871	Governor and Executive Council	400 0 0	1 July, 1861.*
	Michael Herbert ⁹	1 Mar., 1873	Secretary for Public Works	300 0 0	1 Mar., 1873.*
	Alfred Francis ⁹	7 May, 1873	Ditto	300 0 0 to 31 March.	7 April, 1862.*
				400 0 0 from 1 April.	
	Henry Hardy ⁹	20 April, 1873	Ditto	300 0 0	1 Feb., 1867.
	R. D. Stephens.....	13 Nov., 1873	Ditto	400 0 0	13 Nov., 1873.
	Nicholas Price Carver.....	5 Dec., 1873	Ditto	300 0 0	5 Dec., 1873.
	Michael Fitzgerald ⁹	1 Feb., 1874	Ditto	250 0 0 to 31 Oct.	1 Feb., 1874.
				300 0 0 from 1 Nov.	
	Alfred Vine ⁹	19 Jan., 1874	Ditto	250 0 0	30 May, 1861.*
	Adrien Charles Mountain ⁹	19 Jan., 1874	Ditto	300 0 0 to 30 June.	19 Jan., 1874.
				350 0 0 from 1 July.	
	John Walker Hoyle ⁹	10 Mar., 1874 re-appointed 1 Sept., 1876	Ditto	300 0 0	10 Mar., 1874.*
	George William Townsend ⁹	13 April, 1874	Ditto	350 0 0	13 April, 1874.
	Bowie Campbell Gowan ...	1 Sept., 1876	Ditto	250 0 0	1 Sept., 1876.
	John B. Hotson ¹⁰	1 Sept., 1876	Ditto	300 0 0	1 Sept., 1876.
	A. Manning Daniels	25 June, 1877	Ditto	300 0 0	25 June, 1877.
	Charles Edward Hogg.....	21 June, 1877	Ditto	300 0 0	21 June, 1877.
	Henry Buckler Warren	25 June, 1877	Ditto	350 0 0	25 June, 1877.
	William Meade Manly ⁹	4 July, 1877 re-appointed 11 Dec., 1877	Ditto	350 0 0	4 July, 1877.*
	William M. Thompson ⁹	28 Aug., 1877	Ditto	250 0 0	20 Oct., 1874.
	Thomas Watson ⁹	26 July, 1877	Ditto	250 0 0	1 April, 1867.*
	John Cumming ⁹	22 July, 1878	Ditto	350 0 0	22 July, 1878.
	John Napier ⁹	20 July, 1878	Ditto	250 0 0	7 May, 1877.*
	W. T. Bell ¹¹	29 April, 1878	Ditto	300 0 0	29 April, 1878.
	Victor T. Houghton ⁹	27 July, 1878	Ditto	250 0 0	27 July, 1878.
	Seymour G. Simpkins ⁹	20 Aug., 1878	Ditto	300 0 0	20 Aug., 1878.
	Herbert Greenland ⁹	1 Aug., 1878	Ditto	250 0 0	19 Jan., 1872.
				52 0 0 when in office 7s. per diem. when in the field.	
Cadets (6)					
Messenger (1).....			Engineer-in-Chief	75 0 0	
Housekeeper (1) ¹²			Ditto	30 0 0	
<i>Traffic Branch—Great Southern, Great Western, and Richmond Railways.</i>					
Traffic Manager	Thomas Carlisle	1 Jan., 1878	Governor and Executive Council	600 0 0	9 May, 1862.
Chief Clerk.....	Harry Richardson	1 Nov., 1873	Ditto	225 0 0	11 June, 1866.
 succeeded by				
	Sydney Smith ¹³	8 Feb., 1878	Ditto	225 0 0	— Mar., 1870.
Coaching Superintendent.....	John B. Goold ¹⁴	1 July, 1877	Ditto	350 0 0	— Oct., 1858.
Goods Superintendent	George T. Evans ¹⁴	1 Jan., 1878	Ditto	350 0 0	— Dec., 1867.
Station-master—Sydney	John Collins ¹⁵	1 Jan., 1878	Ditto	250 0 0	— Mar., 1858.
Second ditto	Frank Johnson ¹⁴	1 Jan., 1878	Ditto	150 0 0	— Jan., 1870.

¹ To 31 December—services dispensed with. ² Allowed 8s. per diem in lieu of forage, and £100 per annum for travelling expenses. To 30 June—resigned.
³ Allowed 8s. per diem in lieu of forage, and £150 per annum for travelling expenses. ⁴ Each allowed 8s. per diem in lieu of forage, and £100 per annum for travelling expenses.
⁵ To 18 November—deceased. ⁶ Allowed £150 per annum when in the field. ⁷ Allowed £100 per annum for expenses. ⁸ Allowed £150 per annum for equipment and forage, and 30s. per diem travelling expenses. ⁹ Allowed £200 per annum in lieu of equipment when in the field. ¹⁰ To 31 January—services dispensed with. ¹¹ Allowed £200 per annum in lieu of equipment when in the field. To 31 October—services dispensed with. ¹² Allowed quarters, fuel, and light. ¹³ Allowed £75 in lieu of a house. ¹⁴ Allowed £50 in lieu of a house. ¹⁵ Allowed a residence. * Services not continuous.

NEW SOUTH WALES—1878.

105

Office.	Name.	Date of Appointment.	By whom appointed, and under what Instrument.	Annual Salary.	Date of first appointment under the Colonial Government.
				£ s. d.	
SECRETARY FOR PUBLIC WORKS—RAILWAYS—continued.					
<i>Traffic Branch—Great Southern, Great Western, and Richmond Railways—continued.</i>					
Station-masters:—					
Darling Harbour.....	Joseph J. Drew	8 Feb., 1878	Governor and Executive Council	150 0 0	— Jan., 1871.
Newtown	M'Vey Napier Falconer	1 Feb., 1869	Ditto	225 0 0	— April, 1859.
Petersham	George R. Henson	16 Mar., 1876	Ditto	200 0 0	— Aug., 1867.
Ashfield	George Bonamy	15 Oct., 1872	Ditto	200 0 0	— Aug., 1862.
Burwood	William J. Titterton	1 June, 1874	Ditto	200 0 0	— Feb., 1868.
Homebush	William Simpson	1 Feb., 1875	Ditto	200 0 0	— Sept., 1867.
Rookwood	John G. Bissett, sen.	1 Aug., 1877	Ditto	150 0 0	— Feb., 1870.
Parramatta Junction	James Higgs	1 Nov., 1872	Ditto	225 0 0	— April, 1857.
Fairfield	Edward Fielding	1 Dec., 1875	Ditto	140 0 0	— Aug., 1873.
Liverpool	George Davis	1 Sept., 1871	Ditto	200 0 0	— April, 1865.
Campbelltown	Patrick Dwyer	1 June, 1869	Ditto	200 0 0	— June, 1859.
Menangle	John Beeston	1 July, 1863	Ditto	150 0 0	1 July, 1863.
Picton	John Stafford	16 June, 1876	Ditto	175 0 0	— July, 1863.
Mittagong.....	James Octavius Bradley... succeeded by Copeland Bennett	1 Feb., 1872 1 Feb., 1878	Ditto	175 0 0 150 0 0	— Feb., 1870. — Feb., 1871.
Bowral	James Octavius Bradley ¹ ... succeeded by Robert Crawford.....	1 Feb., 1878 28 Aug., 1878	Ditto	175 0 0 175 0 0	— Feb., 1870. — Sept., 1871.
Moss Vale.....	William Badcock.....	2 Feb., 1878	Ditto	175 0 0	— Aug., 1868.
Marulan	Andrew Moodie	1 Feb., 1875	Ditto	175 0 0	— Mar., 1856.
Inspector—Picton to Murrumburrah	Alexander Crawford	1 July, 1875	Ditto	300 0 0	— May, 1862.
Station-masters—					
Goulburn	Richard R. Ewen.....	1 Dec., 1875	Ditto	200 0 0	— April, 1860.
Gunning	Thomas Brain	9 Sept., 1876	Ditto	150 0 0	— Feb., 1869.
Yass	William Lackey	26 Sept., 1876	Ditto	150 0 0	— April, 1872.
Bowning	Charles Little	16 Oct., 1876	Ditto	150 0 0	— Oct., 1871.
Binalong	John J. M'Roberts	2 Feb., 1878	Ditto	150 0 0	— Nov., 1871.
Murrumburrah.....	Frederick J. Rae	3 Jan., 1878	Ditto	150 0 0	16 Feb., 1875.
Cootamundra	John Tweedy	1 Jan., 1878	Ditto	150 0 0	— Oct., 1868.
June	Charles Horn	14 Nov., 1878	Ditto	140 0 0	— Sept., 1873.
Inspector—Murrumburrah to Wagga Wagga and Station-master	George J. Roberts	— Sept., 1878	Ditto	275 0 0	— Feb., 1868.
Station-masters—					
Parramatta	John R. Thompson	2 Feb., 1878	Ditto	225 0 0	— Aug., 1870.
Seven Hills	James Williams	1 July, 1877	Ditto	140 0 0	— May, 1872.
Blacktown (also Inspector).	Harry Richardson	2 Feb., 1878	Ditto	250 0 0	— June, 1866.
Rooty Hill	William Sydenham	16 Oct., 1876	Ditto	140 0 0	— Nov., 1866.
South Creek	Samuel E. Crook	1 May, 1877	Ditto	175 0 0	— Feb., 1864.
Penrith	James Bell	1 May, 1877	Ditto	200 0 0	— Sept., 1862.
Emu Plains	Seaton W. Alliband	1 Aug., 1877	Ditto	140 0 0	— Jan., 1873.
Blue Mountains	John Muir	1 Jan., 1875	Ditto	150 0 0	— Mar., 1865.
Mount Victoria	James Watsford	2 Feb., 1878	Ditto	200 0 0	— Mar., 1867.
Bowenfels	Thomas M'Koy	1 Mar., 1871	Ditto	200 0 0	— Feb., 1867.
Wallerawang	George Farquhar	2 Feb., 1878	Ditto	225 0 0	— 1859.
Inspector—Penrith to Bathurst.	Edward Higgs	23 July, 1878	Ditto	300 0 0	— Mar., 1856.
Station-masters—					
Rydal	John M'Nab	1 May, 1877	Ditto	175 0 0	— Feb., 1870.
Tarana	George Woodall	1 May, 1877	Ditto	150 0 0	— June, 1860.
Macquarie Plains.....	John G. Bissett, jun.	1 Aug., 1877	Ditto	150 0 0	— July, 1871.
Kelso.....	Samuel Pass	1 Dec., 1875	Ditto	150 0 0	— April, 1867.
Inspector—Bathurst to Orange, and Station-master.	M. A. Hornidge	26 Nov., 1877 23 July, 1878	Ditto	275 0 0	— Mar., 1868.
Station-masters—					
George's Plains	George Parsons	1 July, 1877	Ditto	140 0 0	— Feb., 1867.
Blayney	Henry Morris	1 May, 1877	Ditto	175 0 0	— April, 1865.
Spring Grove	James G. Cavanaugh	1 May, 1877	Ditto	140 0 0	— Nov., 1868.
Spring Hill	Frederick Richardson	1 Aug., 1877	Ditto	150 0 0	— Aug., 1871.
Orange	Edward Woodgate	1 May, 1877	Ditto	250 0 0	— Nov., 1857.
Riverstone.....	Cyrus Burge	16 June, 1876	Ditto	130 0 0	— Feb., 1874.
Mulgrave	William Lenchan	1 July, 1877	Ditto	150 0 0	— July, 1869.
Windsor	David Scotland	15 Oct., 1872	Ditto	225 0 0	— Mar., 1868.
Richmond	Thomas E. Ward	1 Jan., 1877	Ditto	175 0 0	— April, 1871.
Goods Foreman, Sydney	Charles Paull	1 Sept., 1871	Ditto	250 0 0	— Mar., 1865.
<i>Traffic Branch—Great Northern Railway.</i>					
Traffic Manager.....	John Higgs ²	1 Oct., 1873	Governor and Executive Council	500 0 0	10 Oct., 1855.
Cashier	Frederick R. Neild ³	1 June, 1873	Ditto	200 0 0	— Mar., 1862.
Traffic Inspector	Edmund Herald ⁴	8 June, 1877	Ditto	250 0 0	— Mar., 1872.
Wharfinger, Newcastle.....	William S. Pendleton ⁵	1 Dec., 1875	Ditto	300 0 0	1 Dec., 1875.
Assistant Wharfingers					
	succeeded by Henry Thomas Sheppey... John J. Coombes	1 Dec., 1878 1 Dec., 1875	Ditto	300 0 0 200 0 0	7 Feb., 1878. 15 Dec., 1874.
	William S. Pendleton.....	5 Sept., 1878	Ditto	200 0 0	1 Dec., 1875.

¹ To 4 April—deceased.² Gives security to the amount of £1,000 of a house.³ Gives security to the amount of £300.⁴ Allowed £50 per annum in lieu⁵ To 4 September—see below.

NOTE.—Station-masters. See foot-note on following page.

Office.	Name.	Date of Appointment.	By whom appointed, and under what Instrument.	Annual Salary.	Date of first Appointment under the Colonial Government.
				£ s. d.	
SECRETARY FOR PUBLIC WORKS—RAILWAYS—continued.					
<i>Traffic Branch—Great Northern Railway—continued.</i>					
<i>Station-masters:—</i>					
Newcastle	Frederick W. Cox	8 June, 1877	Governor and Executive Council	250 0 0	21 April, 1864.
Honeysuckle Point	William Morse	1 Mar., 1877	Ditto	175 0 0	4 June, 1869.
Waratah	Hugh W. L. Holt	8 June, 1877	Ditto	150 0 0	16 Dec., 1866.
Hexham	William U. Verdon ¹	1 Mar., 1877	Ditto	150 0 0	— July, 1859.
	succeeded by				
	Abram Carpenter.....	20 Aug., 1878	Ditto	150 0 0	17 Jan., 1868.
East Maitland	James Wallace.....	1 June, 1873	Ditto	175 0 0	1 Nov., 1867.
High-street	Denis A. Garvan	5 April, 1872	Administrator of Government and Executive Council.	175 0 0	1 Mar., 1862.
West Maitland.....	George Mattingly	8 June, 1877	Governor and Executive Council	225 0 0	19 May, 1869.
Wollombi Road	Thomas Crothers	19 May, 1869	Ditto	130 0 0	19 May, 1869.
Lochinvar	William Badcock ²	1 June, 1873	Ditto	150 0 0	— Aug., 1868.
	succeeded by				
	George M. Moxham	1 Feb., 1878	Ditto	150 0 0	— July, 1864.
Greta.....	Sydney Charles Drewe	25 Jan., 1875	Commissioner for Railways	150 0 0	— May, 1869.
Branxton	James Burns.....	16 Oct., 1872	Governor and Executive Council	150 0 0	— Mar., 1857.
Singleton	George T. Ferris.....	1 Mar., 1878	Ditto	200 0 0	— May, 1865.
Rayensworth.....	James P. Edwards.....	1 Sept., 1878	Ditto	130 0 0	8 May, 1872.
Muswellbrook	George T. Ferris ³	8 June, 1877	Ditto	200 0 0	— May, 1865.
	succeeded by				
	William B. Smith	1 Mar., 1878	Ditto	175 0 0	— Nov., 1864.
Morpeth	William Wilkinson	1 June, 1865	Ditto	250 0 0	24 Mar., 1862.
Scone.....	George Breckenreg ⁴	16 Oct., 1872	Ditto	175 0 0	— July, 1860.
	succeeded by				
	William U. Verdon	8 July, 1878	Ditto	175 0 0	— July, 1859.
Murrurundi	George T. Dowling	13 Aug., 1877	Ditto	150 0 0	— Dec., 1863.
Willow Tree.....	Frank Robinson ⁵	13 Aug., 1877	Ditto	150 0 0	— June, 1872.
Quirindi	James John Robertson	13 Aug., 1877	Ditto	250 0 0	7 July, 1860.*
	succeeded by				
	Frank Robinson	15 Oct., 1878	Ditto	175 0 0	— June, 1872.
Tamworth	James John Robertson	15 Oct., 1878	Ditto	250 0 0	7 July, 1860.*
Wallsend	John Henry Walker	1 June, 1873	Commissioner for Railways	150 0 0	— May, 1863.
Porter in Charge, Aberdeen	John M'Lean	1 Jan., 1872	Ditto	130 0 0	— July, 1861.
<i>Traffic Audit Branch.</i>					
Traffic Auditor	William Vero Read.....	1 Oct., 1873	Governor and Executive Council	400 0 0	26 Sept., 1855.
Assistant do.	John Seale.....	1 May, 1867	Ditto	250 0 0	— Jan., 1863.
Inspector Station Accounts..	William Rooke Row	1 Jan., 1872	Ditto	275 0 0	— April, 1870.
Clerks	Walter Oakes	1 Jan., 1872	Ditto	250 0 0	— July, 1866.
	Thomas Bonamy	1 Jan., 1873	Commissioner for Railways	250 0 0	— Dec., 1862.
	Samuel Dyer Hancock.....	1 Jan., 1873	Governor and Executive Council	225 0 0	— Jan., 1870.
	Charles Alfred Neale ⁶	1 Nov., 1873	Ditto	200 0 0	— Aug., 1868.
	John R. Neild	1 May, 1873	Commissioner for Railways	200 0 0	— June, 1868.
	Thomas H. M'Clelland	1 May, 1873	Governor and Executive Council	180 0 0	— Aug., 1866.
				to 30 Nov.	
				200 0 0	
				from 1 Dec.	
	James Williams	1 Jan., 1873	Commissioner for Railways	175 0 0	25 Sept., 1872.
				to 30 Nov.	
				180 0 0	
				from 1 Dec.	
	Thomas Underwood	1 Jan., 1872	Governor and Executive Council	170 0 0	— Dec., 1867.
	Thomas Parkes.....	1 Oct., 1874	Commissioner for Railways	170 0 0	— Oct., 1866.*
	Hampton Slatyer.....	16 July, 1873	Ditto	150 0 0	16 July, 1873.
				to 30 Nov.	
				175 0 0	
				from 1 Dec.	
	Hugh M'Lachlan ⁷	1 Feb., 1875	Ditto	156 0 0	1 Feb., 1875.
	succeeded by				
	Barker Fawcner M'Gibbon	28 Oct., 1878	Ditto	156 0 0	1 Nov., 1875.*
	John M'Kay.....	1 Dec., 1878	Ditto	150 0 0	— Feb., 1878.
	Thomas M. Williams	25 Sept., 1878	Ditto	150 0 0	20 Dec., 1864.*
	Charles M. Cane	1 Aug., 1874	Ditto	150 0 0	29 Mar., 1874.
	Edward Leach	12 Mar., 1878	Ditto	120 0 0	12 Mar., 1878.
	Edward Seale	1 Feb., 1877	Ditto	75 0 0	1 Feb., 1877.
				to 30 Nov.	
				90 0 0	
				from 1 Dec.	
	S. R. Miller	1 Oct., 1876	Ditto	75 0 0	1 Oct., 1876.
	F. C. Gray	1 June, 1877	Ditto	75 0 0	1 June, 1877.
	W. Humphreys	1 Jan., 1877	Ditto	75 0 0	— Dec., 1875.
	M. Dalton.....	1 May, 1877	Ditto	52 0 0	1 May, 1877.
	W. Miller	1 Mar., 1877	Ditto	52 0 0	1 Mar., 1877.
	Alfred Potter	10 Sept., 1878	Ditto	52 0 0	10 Sept., 1878.
<i>Store Branch.</i>					
Storekeeper.....	Alexander Richardson ⁸	1 Oct., 1873	Governor and Executive Council	350 0 0	27 Aug., 1867.
Assistant do.....	Henry Fligg ⁹	10 April, 1861	Ditto	275 0 0	1 Feb., 1859.
Clerks	Michael Seale ¹⁰	1 Dec., 1870	Ditto	200 0 0	— Aug., 1862.
	Henry Carruthers	1 Dec., 1873	Ditto	175 0 0	1 Dec., 1873.
				to 30 Nov.	
				200 0 0	
				from 1 Dec.	

¹ To 7 July—appointed to Scone. ² Transferred to Moss Vale (Southern Line). ³ Appointed to Singleton. ⁴ To 7 July. ⁵ See below. ⁶ To 30 November. ⁷ To 30 October. ⁸ Gives security to the amount of £500. ⁹ Gives security to the amount of £350. ¹⁰ To 9 November—transferred to Traffic Branch. * Services not continuous.

NOTE.—Each of the Station-masters and the Porters in charge allowed a house, or an allowance in lieu thereof; they also give security for the due performance of their duties. The Traffic Manager, Great Northern Railway, gives security to the amount of £1,000, and the Cashier for £300.

NEW SOUTH WALES—1878.

107

Office.	Name.	Date of Appointment.	By whom appointed, and under what Instrument.	Annual Salary. £ s. d.	Date of first Appointment under the Colonial Government.
SECRETARY FOR PUBLIC WORKS—RAILWAYS—continued.					
<i>Store Branch—continued.</i>					
Clerks—continued.....	Prescott Cazneau	1 Mar., 1874	Governor and Executive Council	200 0 0	— Sept., 1867.
	Henry A. Chapman ¹	9 Aug., 1869	Ditto	190 0 0	— April, 1864.
	John Whitelaw Pawley ...	23 Oct., 1876	Ditto	130 0 0	23 Oct., 1876.
				to 30 Nov.	
				190 0 0	
				from 1 Dec.	
	William Roberts	1 Feb., 1875	Ditto	150 0 0	1 Oct., 1869.
				to 30 Nov.	
				175 0 0	
				from 1 Dec.	
				150 0 0	1 Dec., 1878.
	John Paige Dale	1 Dec., 1878	Ditto	140 0 0	1 Aug., 1875.
	G. Ternan.....	1 Aug., 1875	Ditto	140 0 0	1 Aug., 1875.
	William Thomas Pawley...	9 Dec., 1878	Ditto	130 0 0	9 Dec., 1878.
	Hugh Mortimore.....	9 Dec., 1878	Secretary for Public Works	8/- per diem	9 Dec., 1878.
	Thomas De Courcey ²	23 Oct., 1876	Governor and Executive Council	109 0 0	1 April, 1869.
		¹ To 29 November—resigned.			
		² To 31 January.			
ROADS.					
Commissioner and Engineer	William Christopher Bennett. ¹	1 Nov., 1862	Governor and Executive Council, by Commission.	900 0 0	18 Jan., 1854.*
Assistant Engineer ²	Frederick A. Franklin ³ ...	1 Oct., 1877	Governor and Executive Council	550 0 0	1 April, 1867.
	succeeded by				
Chief Clerk.....	John H. Daniells.....	1 June, 1878	Ditto	550 0 0	12 May, 1877.
Supervisor of Field and Office	George Cook Eames ⁴	1 Sept., 1875	Ditto	400 0 0	21 July, 1863.
Accounts and Accountant.	Patrick Henry Flynn ⁴	1 Jan., 1868	Ditto	400 0 0	17 July, 1856.
Assistant Accountant	Owen Carroll ⁵	1 July, 1877	Ditto	325 0 0	11 July, 1868.
Clerks	William Henry Payten ⁵ ...	5 Jan., 1872	Ditto	250 0 0	15 Nov., 1871.
	John S. Whitney.....	1 May, 1875	Ditto	250 0 0	25 Jan., 1859.
	Thomas Robert Steel ⁵	22 Feb., 1873	Ditto	225 0 0	22 Feb., 1873.
	Stephen G. Shairp	24 Feb., 1877	Secretary for Public Works	225 0 0	3 Nov., 1859.*
	John Bede Blake.....	2 April, 1874	Governor and Executive Council	150 0 0	2 April, 1874.
	Thomas Hiles	29 Oct., 1877	Secretary for Public Works	150 0 0	29 Oct., 1877.
				to 30 Sept.	
				200 0 0	
				from 1 Oct.	
	Henry Manning	25 Aug., 1873	Governor and Executive Council	100 0 0	1 July, 1865.
	John George Oram	1 Oct., 1874	Ditto	100 0 0	1 Oct., 1874.
	Thomas W. Waring	1 Sept., 1877	Secretary for Public Works	100 0 0	9 Feb., 1874.
	John Collman	1 April, 1876	Ditto	70 0 0	1 April, 1876.
				to 31 March.	
				100 0 0	
				from 1 April.	
	Marcus B. Power.....	24 June, 1878	Ditto	100 0 0	24 June, 1878.
	Charles R. Butterfield ⁶ ...	24 Sept., 1877	Ditto	100 0 0	10 Nov., 1877.
	succeeded by				
Clerk in charge of Trustee	William Holmes	24 June, 1878	Ditto	75 0 0	24 June, 1878.
Roads.	John George Lackey	1 Sept., 1875	Governor and Executive Council	300 0 0	26 April, 1871.
Draftsmen	William Bullen	1 May, 1872	Ditto	400 0 0	7 Aug., 1868.*
	John H. Daniells ⁷	12 May, 1877	Ditto	400 0 0	12 May, 1877.
	John Coleman	19 April, 1876	Ditto	250 0 0	19 April, 1876.
Temporary Draftsmen	Andrew F. Waldie ⁸	12 Nov., 1877	Secretary for Public Works	15/- per diem.	12 Nov., 1877.
	John H. Home.....	8 July, 1878	Ditto	150 0 0	8 July, 1878.
				to 30 Sept.	
				200 0 0	
				from 1 Oct.	
Cadets	Alfred H. Martin.....	11 Jan., 1876	Ditto	75 0 0	11 Jan., 1876.
	Denis F. Bullen	24 Sept., 1875	Ditto	75 0 0	24 Sept., 1875.
	John Bassett	20 Mar., 1877	Ditto	50 0 0	20 Mar., 1877.
				to 30 Sept.	
				75 0 0	
				from 1 Oct.	
	Arthur Gracie ⁹	16 May, 1877	Ditto	50 0 0	16 May, 1877.
	Valentine J. S. Blomfield ..	26 Oct., 1877	Ditto	50 0 0	26 Oct., 1877.
				to 30 Sept.	
				75 0 0	
				from 1 Oct.	
	Alfred R. Potter ¹⁰	15 Mar., 1875	Ditto	50 0 0	15 Mar., 1875.
	George E. Cook	25 Jan., 1878	Ditto	52 0 0	25 Jan., 1878.
	Percy Allan	8 Dec., 1878	Ditto	52 0 0	8 Dec., 1878.
	Herbert Lord	11 Mar., 1878	Ditto	50 0 0	11 Mar., 1878.
	Francis G. Hurley	4 June, 1878	Ditto	52 0 0	4 June, 1878.
	William S. Wells.....	1 Sept., 1878	Ditto	52 0 0	1 Sept., 1878.
Field Establishment.—					
Assistant Engineers	Frederick Wells ¹¹	1 Jan., 1876	Governor and Executive Council	500 0 0	28 Mar., 1859.*
	Edwin Joseph Statham	1 Jan., 1876	Ditto	500 0 0	1 Jan., 1860.*
	Arthur Pepys Wood	1 Jan., 1876	Ditto	500 0 0	31 July, 1861.
	Ernest A. Nardin.....	1 Oct., 1877	Ditto	500 0 0	19 Mar., 1860.

¹ Allowed £100 per annum for equipment, and 30s. per diem when travelling on duty. Gives security to the amount of £600. ² Allowed 30s. per diem when travelling on duty. ³ To 22 May—resigned. ⁴ Gives security to the amount of £1,000. ⁵ Gives security to the amount of £300. ⁶ To 19 February—resigned. ⁷ To 31 May—promoted. ⁸ To 30 September—resigned. ⁹ To 21 May—removed to field. ¹⁰ To 11 May—resigned. ¹¹ Allowed £100 per annum and 30s. per diem when travelling. * Services not continuous.

Office.	Name.	Date of Appointment.	By whom appointed, and under what Instrument.	Annual Salary.			Date of first Appointment under the Colonial Government.
				£	s.	d.	
SECRETARY FOR PUBLIC WORKS—ROADS—continued.							
Road Superintendents	Patrick Dooner	27 Jan., 1867	Governor and Executive Council	400	0	0	9 June, 1863.
	William Snell Chauncy ..	19 April, 1860	Ditto	400	0	0	19 April, 1860.
	succeeded by						
	John Gordon	4 July, 1878	Ditto	400	0	0	17 Feb., 1864.
	James B. Meldrum	1 Aug., 1866	Ditto	400	0	0	29 April, 1863.
	Percy Scarr	15 Oct., 1867	Ditto	400	0	0	15 Oct., 1867.
	Edward T. Whiteside	1 July, 1870	Ditto	400	0	0	1 June, 1868.
	Stephen A. Donnelly	20 Feb., 1867	Ditto	375	0	0	20 Feb., 1867.
	George Philben	1 July, 1867	Ditto	375	0	0	13 Nov., 1861.
	Peter Doyle	1 April, 1868	Ditto	375	0	0	6 May, 1855.
	Patrick Murray	22 Jan., 1867	Ditto	375	0	0	15 May, 1863.
	James Joseph Duffy	1 July, 1867	Ditto	375	0	0	26 July, 1864.
	John Gordon ²	11 Dec., 1876	Ditto	375	0	0	17 Feb., 1864.*
	succeeded by						
	Robert Donaldson	4 July, 1878	Ditto	375	0	0	28 Nov., 1866.
	William F. Bundock	13 Aug., 1867	Ditto	375	0	0	10 May, 1863.
	Robert Donaldson ²	20 Dec., 1867	Ditto	340	0	0	28 Nov., 1866.
	succeeded by						
	Adalbert Weber	4 July, 1878	Ditto	340	0	0	1 Mar., 1855.
	George M'L. Matheson	11 July, 1874	Ditto	340	0	0	11 July, 1874.
	Alexander C. Bayley ³	26 Dec., 1862	Ditto	300	0	0	6 June, 1856.
	Adalbert Weber ²	16 July, 1860	Ditto	300	0	0	1 Mar., 1855.*
	succeeded by						
	Thomas J. Magner	4 July, 1878	Ditto	300	0	0	1 Feb., 1864.
	George Earngey	1 May, 1869	Ditto	300	0	0	24 Mar., 1868.
	M. E. Wikner	22 May, 1874	Ditto	300	0	0	22 May, 1874.
	William H. Higman ⁴	18 Sept., 1874	Ditto	300	0	0	1 Mar., 1871.
				to 31 May 375 0 0			
	succeeded by			from 1 June.			
	Henry Cambridge	1 June, 1878	Ditto	300	0	0	1 April, 1876.
	John M. Smail	20 Aug., 1875	Ditto	300	0	0	20 Aug., 1875.
	Alfred W. Stilwell	24 April, 1876	Ditto	300	0	0	24 April, 1876.
	Alexander C. Bell	1 May, 1868	Ditto	250	0	0	21 Jan., 1867.
	Henry Scougall	1 Aug., 1877	Ditto	250	0	0	1 Aug., 1877.
	Henry Cambridge ²	1 Oct., 1877	Ditto	250	0	0	1 April, 1876.
	succeeded by						
	Hugh Miller	1 June, 1878	Ditto	250	0	0	22 Dec., 1874.
	Thomas J. Magner ²	6 Mar., 1872	Ditto	250	0	0	1 Feb., 1864.
	succeeded by						
	John D. Postle	1 Sept., 1878	Ditto	250	0	0	1 Sept., 1878.
	Arthur J. C. Single	16 Sept., 1875	Ditto	200	0	0	16 Sept., 1875.
	Hugh Miller ⁵	1 Oct., 1877	Ditto	200	0	0	22 Dec., 1874.
	succeeded by						
	Edward D. Dyson	1 June, 1878	Ditto	200	0	0	1 Sept., 1874.
	Edward M. Allman	10 May, 1877	Ditto	200	0	0	4 Mar., 1873.
	Carl Weber	1 July, 1877	Ditto	200	0	0	21 Mar., 1876.
	Cecil W. Bedford	18 Mar., 1878	Ditto	200	0	0	1 Oct., 1874.
	Thomas P. Davies	1 May, 1878	Ditto	200	0	0	1 Sept., 1873.
	George P. Rodd	1 Sept., 1878	Ditto	200	0	0	20 Nov., 1876.
	Edward G. Cronin	1 Sept., 1878	Ditto	200	0	0	15 Mar., 1875.
	Arthur Blacket	25 Mar., 1878	Ditto	200	0	0	1 Aug., 1877.
	Henry Boot	1 Sept., 1878	Ditto	200	0	0	10 Mar., 1877.
Bridge Superintendents ...	Richard Rothwell	1 Jan., 1878	Secretary for Public Works	450	0	0	1 Jan., 1878.
	James C. Williamson	6 Dec., 1878	Ditto	300	0	0	6 Dec., 1878.
Field Cadets	Frederick G. M. Baker	13 Sept., 1875	Ditto	156	0	0	2 April, 1874.
	Cecil W. E. Bedford ⁶	1 Jan., 1875	Ditto	156	0	0	1 Oct., 1874.
	succeeded by						
	John A. Rossbach	18 Mar., 1878	Ditto	156	0	0	25 Sept., 1874.
	Thomas Philip Davies ⁷	1 Dec., 1873	Ditto	156	0	0	1 Sept., 1873.
	James Henry Crummer	6 Sept., 1878	Ditto	156	0	0	18 July, 1877.
	Edward G. Cronin ⁸	10 May, 1877	Ditto	156	0	0	15 Mar., 1875.
	James J. Burns	13 Sept., 1878	Ditto	156	0	0	1 Oct., 1874.
<p>¹ To 3 July—deceased. ² To 3 July—promoted. ³ To 13 September—resigned. ⁴ To 14 December—resigned. ⁵ To 31 May—promoted. ⁶ To 17 March—promoted. ⁷ To 30 April—promoted. ⁸ To 31 August—promoted. * Services not continuous.</p> <p>N.B.—Superintendents with salaries of £340 and upwards receive an allowance of £150 per annum each; those under that amount £125; they all give security for £500 or £1,000 for the fulfilment of their duties except Messrs. Weber and Boot. Field Cadets on the staff each receive an allowance of £80 per annum for travelling.</p>							
COLONIAL ARCHITECT.							
Colonial Architect	James Barnett ¹	1 Jan., 1865	Governor and Executive Council	1,000	0	0	4 Aug., 1860.
1st Clerk of Works	William Coles ²	26 Oct., 1857	Ditto	600	0	0	1 Oct., 1854.
Clerks of Works	Mortimer Wm. Lewis, jun. ..	16 Nov., 1843*	Governor	500	0	0	1 Oct., 1837, to 15 Nov., 1839. 16 Nov., 1843.
	John M'Crackan	21 Aug., 1860	Governor and Executive Council	450	0	0	21 Aug., 1860.
	Edmund S. V. Spencer	1 Sept., 1872	Ditto	425	0	0	4 Jan., 1867.
	Edwin Colley	1 Jan., 1874	Ditto	350	0	0	23 April, 1867.
	William E. Kemp	1 Jan., 1874	Ditto	350	0	0	9 Oct., 1872.
<p>¹ Allowed £74 per annum in lieu of forage. Gives security to the amount of £1,000. ² Allowed £74 per annum in lieu of forage. * From this date to 30 June, 1850, the salary was charged to the Votes for Works on which employed.</p>							

NEW SOUTH WALES—1878.

109

Office.	Name.	Date of Appointment.	By whom appointed, and under what Instrument.	Annual Salary.			Date of first Appointment under the Colonial Government.
				£	s.	d.	
SECRETARY FOR PUBLIC WORKS—COLONIAL ARCHITECT—continued.							
Clerks of Works— <i>continued.</i>	Edward Rumsey	1 Jan., 1877	Governor and Executive Council	350	0	0	1 Mar., 1873.
	Alfred G. Edwards	1 Jan., 1877	Ditto	300	0	0	28 Jan., 1864.
1st Foreman of Works	James Kay	1 Jan., 1874	Ditto	275	0	0	20 Feb., 1866.
2nd ditto	Robert MacKellar	1 Jan., 1874	Ditto	250	0	0	4 Dec., 1867.
Chief Draftsman and Instructor of Cadets.	Alfred Cook	1 Jan., 1874	Ditto	400	0	0	24 April, 1854.
Draftsmen	Louis Robertson	1 Jan., 1868	Ditto	300	0	0	21 June, 1860.
	James Peattie	1 Jan., 1874	Ditto	200	0	0	15 Sept., 1865.
	Charles H. Slatyer	1 Jan., 1877	Ditto	150	0	0	5 Mar., 1873.
Chief Clerk	Henry Chapman ¹	1 Aug., 1856	Ditto	500	0	0	1 Dec., 1837.
	succeeded by						
	James M'Shane	20 Sept., 1878	Ditto	500	0	0	18 June, 1859.
Clerks	James M'Shane	18 June, 1859	Ditto	350	0	0	18 June, 1859.
	John Thomas Neale	1 Sept., 1864	Ditto	300	0	0	9 Mar., 1861.
				to 19 Sept.			
				350	0	0	
				from 20 Sept.			
	George Bagot Stack	19 May, 1865	Ditto	200	0	0	14 Jan., 1863.
				to 19 Sept.			
				300	0	0	
				from 20 Sept.			
	James Forsythe	1 Jan., 1871	Ditto	200	0	0	27 Feb., 1869.
	Lyon J. Marks	1 Sept., 1876	Ditto	150	0	0	— Feb., 1870.*
				to 19 Sept.			
				200	0	0	
				from 20 Sept.			
	William E. Ellard	1 July, 1878	Ditto	100	0	0	1 July, 1878.
				to 19 Sept.			
				150	0	0	
				from 20 Sept.			
	George F. Crawford	10 Oct., 1878	Ditto	100	0	0	10 Oct., 1878.
	William Thompson	14 Nov., 1878	Ditto	100	0	0	14 Nov., 1878.
Cadets	John Doherty	22 June, 1874	Ditto	100	0	0	22 June, 1874.
	William Mitchell	9 Feb., 1875	Ditto	75	0	0	9 Feb., 1875.
	Robert Falconer	14 Dec., 1875	Ditto	52	0	0	14 Dec., 1875.
	Edwin Burns	19 Mar., 1877	Ditto	52	0	0	19 Mar., 1877.
Messenger (1)			Secretary for Public Works	52	0	0	
Officekeeper (1) ²			Colonial Architect	108	0	0	
Boatman (1)			Ditto	60	0	0	
			Ditto	108	0	0	

¹ To 18 September—deceased.² Allowed quarters, fuel, and light.

* Services not continuous.

BOARD FOR OPENING TENDERS FOR PUBLIC WORKS.

Members	(Chairman) John Rae	Governor and Executive Council	Nil.	1 Jan., 1854. 27 Mar., 1856. 1 May, 1849. 18 Jan., 1854.* 4 Aug., 1860. 1 Jan., 1858. 7 Jan., 1854. 11 May, 1848.
	John Whitton			
	E. O. Moriarty			
	W. C. Bennett			
	James Barnet			
	Edward Charles Cracknell			
Secretary	Charles A. Goodchap	Ditto	50 0 0	
	Gerald Halligan			

* Services not continuous.

HARBOURS AND RIVER NAVIGATION.**ENGINEERS' DEPARTMENT.**

Engineer-in-Chief	Edward Orpen Moriarty ¹	10 Oct., 1858	Governor and Executive Council	1,100	0	0	1 May, 1849.
Chief Surveyor & Draftsman	John Skinner ²	5 Sept., 1874	Ditto	400	0	0	19 Feb., 1863.
Draftsmen	Richard Henry Downing	1 Oct., 1874	Ditto	400	0	0	1 Oct., 1874.
	George A. Tillett ³	1 Nov., 1874	Ditto	325	0	0	8 Sept., 1863.
Chief Clerk and Accountant	Joseph Barling	21 Aug., 1871	Ditto	400	0	0	1 Aug., 1860.
Examiner of Accounts	James Kingsbury ⁴	1 Jan., 1872	Ditto	275	0	0	5 Nov., 1863.
	succeeded by						
Bookkeeper and Cashier	James Conley	1 Aug., 1878	Secretary for Public Works	275	0	0	20 Jan., 1875.
	Samuel Steel ⁵	17 May, 1870	Governor and Executive Council	275	0	0	17 May, 1870.
Clerks	John Bibb ⁶	21 April, 1873	Secretary for Public Works	220	0	0	20 Aug., 1868.
				to 31 July.			
				250	0	0	
				from 1 Aug.			
	James Conley ⁷	20 Jan., 1875	Ditto	250	0	0	20 Jan., 1875.
	Samuel M. Burrows ⁸	15 Oct., 1871	Ditto	225	0	0	15 Nov., 1870.
				to 31 July.			
	succeeded by			250	0	0	
				from 1 Aug.			
Clerk of Records	John Valentine Wareham ⁹	1 Nov., 1878	Governor and Executive Council	250	0	0	19 Mar., 1863.
	John Portus	1 May, 1874	Secretary for Public Works	200	0	0	23 Nov., 1870.
				to 31 July.			
				225	0	0	
				from 1 August.			
Clerk	William Kelsey Oatley	1 Feb., 1875	Ditto	150	0	0	18 Jan., 1871.*
				to 31 July.			
				175	0	0	
				from 1 August.			

¹ Received £300 for special services in connection with water supply, and £100 for horse equipment, to 20 June. Absent on leave from 20 June to 31 December.
² Acting for Engineer-in-Chief during his absence. Allowed £50 per annum in lieu of quarters, and £100 from 21 June, horse equipment on account of water supply.
³ Camp allowance, 12s. per diem, and 3s. per diem for forage. ⁴ To 30 July—deceased. ⁵ Gives security to the amount of £300. ⁶ Gives security to the amount of £200. ⁷ Promoted. ⁸ To 31 October—exchanged appointments with Mr. Wareham, C.P.S., Ulladulla. ⁹ Services not continuous.

Office.	Name.	Date of Appointment.	By whom appointed, and under what instrument.	Annual Salary.	Date of first Appointment under the Colonial Government.
				£ s. d.	
SECRETARY FOR PUBLIC WORKS—HARBOURS AND RIVERS NAVIGATION—continued.					
ENGINEER'S DEPARTMENT—continued.					
Assistant Clerks	Timothy Cremen	5 Nov., 1877	Secretary for Public Works	8s. per diem to 31 March. 12s. per diem from 1 April.	5 Nov., 1877.
	Henry Sheppey ¹	7 Feb., 1878	Ditto	10s. per diem	7 Feb., 1878.
	Stephen Rabone	19 June, 1878	Ditto	10s. per diem	19 June, 1878.
	Frederick A. Thorpe	20 June, 1878	Ditto	52 0 0	20 June, 1878.
	Henry H. Vidal	8 Oct., 1878	Ditto	52 0 0	31 July, 1877.
Assistant Engineers—					
Hunter River District...	Cecil W. Darley ²	1 Jan., 1873	Governor and Executive Council	550 0 0	1 Oct., 1867.
Clarence River do.	Merion H. Moriarty ³	1 Oct., 1874	Ditto	550 0 0	1 Aug., 1860.
Moruya River	Alfred Williams ³	10 Aug., 1874	Secretary for Public Works	500 0 0	10 Aug., 1874.
Murray, Murrumbidgee, and Darling Rivers—					
District Engineer	Charles Berthon ⁴	1 Sep., 1871	Governor and Executive Council	530 0 0	1 Jan., 1863.
Superintendent	James M. Byrnes ⁵	8 Aug., 1866	Secretary for Public Works	20s. per diem	8 Aug., 1866.
Clerk and Timekeeper...	Richard Macgillicuddy ⁶	11 May, 1875	Ditto	15s. „	11 May, 1875.
Wollongong, Kiama, and Shellharbour Works—					
Superintendent	William Davies ⁷	1 Nov., 1875	Engineer-in-Chief	20s. per diem	9 Aug., 1872.
Surveyors	Thomas W. Keele ⁸	9 Mar., 1871	Secretary for Public Works	365 0 0	9 Mar., 1871.
	Joshua Percy Josephson ⁹	28 Oct., 1872	Ditto	350 0 0	28 Oct., 1872.
Surveyor and Draftsman	Timothy Coghlan	16 April, 1873	Ditto	200 0 0	16 April, 1873.
				to 30 June. 250 0 0	
				from 1 July.	
Resident Engineer, Trial Bay.	C. S. Brownrigg ¹⁰	28 July, 1877	Ditto	300 0 0	24 July, 1876.
Draftsmen	Patrick Blackey	15 Nov., 1875	Ditto	15s. per diem	17 Nov., 1870.*
	John G. Laing	13 Nov., 1872	Ditto	250 0 0	13 Nov., 1872.
	Ashley E. M. Moore	1 July, 1874	Ditto	200 0 0	1 July, 1874.
Assistant Draftsman	Gerald H. Halligan	15 July, 1873	Ditto	200 0 0	23 Sept., 1872.
Surveyor on Darling River..	Mordaunt L. Maclean ¹¹	25 Aug., 1877	Ditto	15s. per diem to 31 October. 20s. per diem from 1 Nov.	1 Jan., 1875.
Assistant Surveyor on Darling River.	Willam T. Bell	5 Nov., 1878	Ditto	15s. per diem	5 Nov., 1878.
Time Clerk, Clarence River Breakwater.	T. M. Perrott	17 Nov., 1873	Ditto	15s. „	17 Nov., 1873.
Weigh Clerk, Clarence River Breakwater.	Edward Blakeney	9 Sept., 1875	Engineer-in-Chief	15s. „	9 Sept., 1875.
Assistant Clerk to Assistant Engineer, Moruya	F. W. Clarke	7 Sept., 1877	Secretary for Public Works	10s. „	7 Sept., 1877.
Do. do. Hunter River	John Wylie	2 Sept., 1878	Ditto	100 0 0	2 Sept., 1878.
				to 30 Nov. 150 0 0	
				from 1 Dec.	
Superintendent of Works... Clerk to Assistant Engineer, Moruya.	James Hoey	15 Dec., 1871	Governor and Executive Council	350 0 0	15 Dec., 1871.*
Assistant Draftsmen	Thomas W. Lackey	25 June, 1875	Secretary for Public Works	15s. per diem	25 June, 1875.
	Charles Shepperd	13 April, 1878	Ditto	200 0 0	13 April, 1878.
	Henry Chinn	13 May, 1878	Ditto	15s. per diem	13 May, 1878.
	Edward Labatt	10 Oct., 1878	Ditto	15s. „	10 Oct., 1878.
	Patrick Muleahy	7 June, 1878	Ditto	12s. „	7 June, 1878.
	Stanley Hornby	25 April, 1878	Ditto	10s. „	25 April, 1878.
Cadets	John Charles Rolleston	9 Sept., 1878	Ditto	6s. „	9 Sept., 1878.
	Henry H. Leigh Berthon ¹²	16 Nov., 1874	Ditto	100 0 0	16 Nov., 1874.
	William E. Kemp	7 June, 1875	Ditto	10s. per diem	7 June, 1875.
	James M' Cabe ¹³	15 Dec., 1875	Ditto	75 0 0	15 Dec., 1875.
	D. F. Campbell ¹²	27 Jan., 1876	Ditto	75 0 0	27 Jan., 1876.
	Arthur E. Tunks ¹²	15 Feb., 1877	Ditto	52 0 0	30 Jan., 1878.
	Reginald B. Pell ¹²	15 Dec., 1875	Ditto	10s. per diem	15 Dec., 1875.
	William Rossbach	4 July, 1877	Ditto	52 0 0	4 July, 1877.
	William F. Rose	15 Dec., 1877	Ditto	52 0 0	15 Dec., 1877.
	Henry Copeland ¹⁴	1 July, 1878	Ditto	52 0 0	1 July, 1878.
	Alfred H. Clapin	30 Nov., 1877	Ditto	6s. per diem	30 Nov., 1877.
	Edward T. Burrows	9 Aug., 1877	Ditto	52 0 0	9 Aug., 1877.
				when in office.	
				6s. per diem when in camp.	
Ballast-master, Newcastle...	Arthur Hezlett	17 June, 1878	Ditto	52 0 0	17 June, 1878.
Boatman to do. (1)	Henry M. Bohle	1 Sept., 1866	Ditto	200 0 0	1 Sept., 1866.
Clerk of Works, Trial Bay	Alexander L. Patison	7 Dec., 1878	Ditto	108 0 0	
Superintendent of Works, Richmond River.	John Halliday ⁶	1 Aug., 1878	Ditto	300 0 0	7 Dec., 1878.
				15s. per diem	1 Aug., 1878.

¹ To 10 March—transferred to Railway Department, Newcastle. ² Allowed 4s. per diem in lieu of forage. Gives security to the amount of £700. ³ Gives security to the amount of £500. ⁴ Gives security to the amount of £300. ⁵ Allowed £52 per annum in lieu of forage. Gives security to the amount of £300. ⁶ Gives security to the amount of £100. ⁷ Allowed 5s. per diem when travelling on local works, and 12s. per diem when absent from his district. ⁸ Allowed 12s. per diem when travelling. Gives security to the amount of £150. ⁹ Allowed 12s. per diem when travelling. ¹⁰ Allowed 3s. per diem in lieu of forage, and 12s. per diem travelling expenses. ¹¹ Gives security to the amount of £150. ¹² Receives camp allowance, 6s. per diem. ¹³ Receives camp allowance, 10s. per diem. ¹⁴ Receives camp allowance, 7s. 6d. per diem. * Services not continuous.

NEW SOUTH WALES—1878.

111

Office.	Name.	Date of Appointment.	By whom appointed, and under what Instrument.	Annual Salary.	Date of first Appointment under the Colonial Government.
				£. s. d.	
SECRETARY FOR PUBLIC WORKS—HARBOURS AND RIVERS NAVIGATION—continued.					
ENGINEER'S DEPARTMENT—continued.					
Messenger (1) ¹			Engineer-in-Chief	100 0 0	
Officekeeper (1) ²			Ditto	52 0 0	
Surveyors	Major Grantham ³	9 Feb., 1878	Secretary for Public Works	20s. per diem	9 Feb., 1878.
	Richard F. Stack ⁴	25 July, 1877	Ditto	300 0 0	25 July, 1877.
	John A. Macarthy ⁵	28 Jan., 1878	Ditto	300 0 0	28 Jan., 1878.
	C. E. Nicholas ⁶	5 Feb., 1878	Ditto	300 0 0	5 Feb., 1878.
	Thomas J. Fuller ⁷	29 Mar., 1878	Ditto	300 0 0	29 Mar., 1878.
	Henry D. Walsh	14 Jan., 1878	Ditto	25s. per diem	14 Jan., 1878.
	John M. White	1 June, 1878	Ditto	25s. "	1 June, 1878.
	Richard Scott ⁸	29 Jan., 1878	Ditto	25s. "	29 Jan., 1878.
	G. P. Gipps	7 Jan., 1878	Ditto	25s. "	7 Jan., 1878.
	Edward Coombes	26 Feb., 1878	Ditto	8s. "	26 Feb., 1878.
Cadets	A. Anderson	3 Jan., 1878	Ditto	6s. "	3 Jan., 1878.
	Harold Bloomfield	4 Feb., 1878	Engineer-in-Chief	6s. "	4 Feb., 1878.
	George Gorick ⁹	1 Aug., 1878	Ditto	8s. "	1 Aug., 1878.
	Edward S. Moriarty	20 May, 1878	Ditto	15s. "	20 May, 1878.
	Phillip J. Makinson	7 July, 1877	Ditto	6s. "	7 July, 1877.
	Lewis Samuel	27 Mar., 1878	Ditto	6s. "	27 Mar., 1878.
	Albert Jacob	15 June, 1878	Ditto	6s. "	15 June, 1878.
Blackwattle Bay— Bridge-opener (1)			Secretary for Public Works	156 0 0	
Glebe Island Bridge— Overseer (1)			Ditto	156 0 0	
¹ Allowed £25 per annum in lieu of quarters. ² Allowed quarters, fuel, and light. ³ To 18 May—services dispensed with. ⁴ Receives camp allowance, 12s. per diem. ⁵ Receives camp allowance, 12s. per diem. To 31 May—services dispensed with. ⁶ Receives camp allowance, 12s. per diem. To 31 May—resigned. ⁷ Receives camp allowance, 12s. per diem. To 5 August—resigned. ⁸ To 31 May—services dispensed with. ⁹ To 18 November—resigned.					
STEAM DREDGE "SAMSON."					
Engineer and Master	John Laing ¹	1 June, 1875	Governor and Executive Council	352 0 0 to 30 Sept. 300 0 0 from 1 Oct.	1 Aug., 1868.*
Mate (1)			Engineer-in-Chief	168 0 0	
Engineman (1)			Ditto	144 0 0	
Carpenter (1)			Ditto	144 0 0	
Fireman (1)			Ditto	104 0 0	
Hammerman (1)			Ditto	120 0 0	
Coxswains (2)			Ditto	120 0 0	each.
Seamen (2)			Ditto	104 0 0	"
Breaksman (1)			Ditto	104 0 0	"
Cook (1)			Ditto	104 0 0	"
Watchman (1)			Ditto	104 0 0	"
Nightwork—To 30 September, 1878.					
Boilermaker (1)			Ditto	168 0 0	
Second Mate (1)			Ditto	144 0 0	
Carpenter (1)			Ditto	144 0 0	
Firemen (2)			Ditto	120 0 0	"
Coxswains (2)			Ditto	120 0 0	"
Breaksman (1)			Ditto	104 0 0	"
Seamen (4)			Ditto	104 0 0	"
Tug "Thetis"—					
Master (1)			Ditto	240 0 0	
Engineer (1)			Ditto	240 0 0	
Firemen (2)			Ditto	120 0 0	"
Leading Seaman (1)			Ditto	120 0 0	"
Seamen (2)			Ditto	104 0 0	"
Nightwork—					
Second Engineer (1)			Ditto	168 0 0	
Do. Mate (1)			Ditto	204 0 0	
Stokers (2)			Ditto	120 0 0	"
Leading Seaman (1)			Ditto	120 0 0	"
Seamen (2)			Ditto	104 0 0	"
NOTE.—A ration allowance of 2s. 6d. paid to Master of Dredge, and a night allowance to crew, in addition to above, up to 30 September, 1878.					
STEAM DREDGE "HERCULES."					
Engineer and Master	Alexander Halkett ¹	1 June, 1875	Governor and Executive Council	300 0 0	23 Sept., 1872.
Mate (1)			Engineer-in-Chief	156 0 0	
Engineer (1)			Ditto	144 0 0	
Carpenter (1)			Ditto	144 0 0	
Stoker (1)			Ditto	120 0 0	
Coxswains (2)			Ditto	120 0 0	each.
Seamen (5)			Ditto	104 0 0	"
Cook (1)			Ditto	104 0 0	"
Boy (1)			Ditto	78 0 0	"
¹ Gives security to the amount of £300.					

Office.	Name.	Date of Appointment.	By whom appointed, and under what Instrument.	Annual Salary.	Date of first Appointment under the Colonial Government.
				£ s. d.	
SECRETARY FOR PUBLIC WORKS—HARBOURS AND RIVER NAVIGATION—continued.					
STEAM DREDGE "TITAN."					
Engineer and Master.....	Henry Orr ¹	1 June, 1875	Secretary for Public Works	327 0 0	— June, 1868.
Mate (1)	Engineer-in-Chief	156 0 0	
Engine driver (1)	Ditto	120 0 0	
Fireman (1)	Ditto	114 0 0	
Carpenter (1)	Ditto	144 0 0	
Blacksmith (1)	Ditto	144 0 0	
Striker (1)	Ditto	120 0 0	
Coxswain (1)	Ditto	120 0 0	
Deckhand (1)	Ditto	104 0 0	
Puntmen (2)	Ditto	104 0 0	each.
Cook (1)	Ditto	96 0 0	
Nightwork—					
Mate (1)	Ditto	132 0 0	
Second Engineer (1)	Ditto	168 0 0	
Fireman (1)	Ditto	114 0 0	
Deckhand (1)	Ditto	104 0 0	
Puntmen (2)	Ditto	104 0 0	"
Coxswain (1)	Ditto	120 0 0	
Tug "Scylla"—					
Captain (1)	Ditto	144 0 0	
Engine-driver (1)	Ditto	144 0 0	
Deck Boy (1)	Ditto	60 0 0	
Tug "Hector"—					
Master (1)	Ditto	144 0 0	
Engine-driver (1)	Ditto	144 0 0	
Deckhand (1)	Ditto	104 0 0	
Fireman (1)	Ditto	120 0 0	
¹ Gives security to the amount of £300.					
NOTE.—2s. 6d. per day ration allowance in addition to the above to Master of Dredge, and 1s. per day to the crew.					
STEAM DREDGE "VULCAN."					
Engineer and Master	Joseph Mather ¹	1 June, 1875	Governor and Executive Council	352 0 0	22 Sept., 1874.
				to 30 Sept.	
				300 0 0	
				from 1 Oct.	
Mate (1)	Engineer-in-Chief	156 0 0	
Blacksmith (1)	Ditto	168 0 0	
Carpenter (1)	Ditto	144 0 0	
Striker (1)	Ditto	120 0 0	
Stoker (1)	Ditto	144 0 0	
Engine-driver (1)	Ditto	120 0 0	
Coxswains (3)	Ditto	120 0 0	each.
Seamen (4)	Ditto	104 0 0	
Cook (1)	Ditto	104 0 0	"
Nightwork—To 30 September, 1878.					
Mate (1)	Ditto	156 0 0	
Stoker (1)	Ditto	144 0 0	
Engineman (1)	Ditto	120 0 0	
Coxswains (2)	Ditto	120 0 0	"
Seamen (3)	Ditto	104 0 0	"
Tug "Cyclops"—					
Master (1)	Ditto	192 0 0	
Engineer (1)	Ditto	168 0 0	
Stoker (1)	Ditto	120 0 0	
Seamen (3)	Ditto	104 0 0	"
Night Crew—					
Master (1)	Ditto	216 0 0	
Engineer (1)	Ditto	180 0 0	
Stoker (1)	Ditto	120 0 0	
Seamen (3)	Ditto	104 0 0	"
¹ Gives security to the amount of £300.					
NOTE.—2s. 6d. ration allowance in addition to above paid to Master of Dredge to 31 December, 1878; 1s. per night to crew up to 30 September, 1878, and 1s. per day ration allowance from 1 October to 31 December, 1878.					
STEAM DREDGE "HUNTER."					
Engineer and Master.....	James Rorison ¹	1 May, 1870	Governor and Executive Council	300 0 0	1 May, 1870.
Mate (1)	Engineer-in-Chief	156 0 0	
Engineer and Driver (1)	Ditto	168 0 0	
Blacksmith (1)	Ditto	168 0 0	
Carpenters (2)	Ditto	144 0 0	each.
Fireman (1)	Ditto	144 0 0	
Striker (1)	Ditto	120 0 0	
Coxswain (2)	Ditto	120 0 0	"
Seamen (3)	Ditto	104 0 0	"
Cook (1)	Ditto	104 0 0	
Watchman (1)	Ditto	104 0 0	
¹ Gives security to the amount of £300.					

Office.	Name.	Date of Appointment.	By whom appointed, and under what instrument.	Annual Salary.			Date of first Appointment under the Colonial Government.
				£	s.	d.	
SECRETARY FOR PUBLIC WORKS—HARBOURS AND RIVER NAVIGATION—continued.							
STEAM DREDGE "FITZ ROY."							
Engineer and Master.....	John Fyfe ¹	15 Nov., 1876	Secretary for Public Works	275	0	0	15 Nov., 1876.
Mate (1)	Engineer-in-Chief	156	0	0	
Carpenter (1)	Ditto	144	0	0	
Engine Driver (1)	Ditto	120	0	0	
Coxswain (1)	Ditto	120	0	0	
Seamen (3)	Ditto	104	0	0	each.
Fireman (1)	Ditto	120	0	0	
Blacksmith (1)	Ditto	156	0	0	
Striker (1)	Ditto	104	0	0	
Cook (1)	Ditto	96	0	0	
Tug "Charybdis"—							
Master (1)	Ditto	192	0	0	
Engineer (1)	Ditto	180	0	0	
Fireman (1)	Ditto	120	0	0	
Deckhand (1)	Ditto	104	0	0	
¹ Gives security to the amount of £300.							
STEAM DREDGE "PLUTO."							
Engineer and Master	Adam Howitt ¹	1 Oct., 1874	Governor and Executive Council	275	0	0	1 May, 1870.
Mate (1)	Engineer-in-Chief	144	0	0	
Carpenter (1)	Ditto	144	0	0	
Blacksmith (1)	Ditto	144	0	0	
Engineman (1)	Ditto	128	0	0	
Coxswain (1)	Ditto	120	0	0	
Stoker (1)	Ditto	108	0	0	
Striker (1)	Ditto	96	0	0	
Seaman (1)	Ditto	96	0	0	
Tug "Pearl"—							
Master (1)	Ditto	144	0	0	
Engineer (1)	Ditto	144	0	0	
Stoker (1)	Ditto	108	0	0	
Seaman (1)	Ditto	96	0	0	
Puntsman (1)	Ditto	96	0	0	
¹ Gives security to the amount of £300.							
STEAM DREDGE "NEWCASTLE."							
Engineer and Master.....	Alexander B. Portus ¹	1 June, 1875	Governor and Executive Council	352	0	0	1 Oct., 1865.
Mate (1)	Engineer-in-Chief	168	0	0	
Smith (1)	Ditto	180	0	0	
Carpenter (1)	Ditto	144	0	0	
Engineman (1)	Ditto	144	0	0	
Stoker (1)	Ditto	144	0	0	
Winchman (1)	Ditto	120	0	0	
Hammerman (1)	Ditto	120	0	0	
Coxswains (2)	Ditto	120	0	0	each.
Laddersmen (2)	Ditto	104	0	0	"
Deck-hands (3)	Ditto	104	0	0	"
Oiler (1)	Ditto	104	0	0	"
Cook (1)	Ditto	104	0	0	"
Watchman (1)	Ditto	104	0	0	"
Nightwork—							
Master (1)	Ditto	240	0	0	
Mate (1)	Ditto	144	0	0	
Engine-driver (1)	Ditto	144	0	0	
Stoker (1)	Ditto	144	0	0	
Winchman (1)	Ditto	120	0	0	
Coxswains (2)	Ditto	120	0	0	"
Laddersmen (2)	Ditto	104	0	0	"
Seamen (2)	Ditto	104	0	0	"
Oiler (1)	Ditto	104	0	0	"
Painter (1)	Ditto	132	0	0	
2nd Hammerman (1)	Ditto	120	0	0	
Tug "Ajax"—							
Master (1)	Ditto	240	0	0	
Engineer (1)	Ditto	240	0	0	
Mate (1)	Ditto	120	0	0	
Leading Stoker (1)	Ditto	132	0	0	
Stoker (1)	Ditto	120	0	0	
Seamen (3)	Ditto	104	0	0	"
Cook (1)	Ditto	104	0	0	"
Nightwork—							
Second Master (1)	Ditto	204	0	0	
2nd Engineer (1)	Ditto	216	0	0	
Mate (1)	Ditto	120	0	0	
Leading Stoker (1)	Ditto	132	0	0	
Stoker (1)	Ditto	120	0	0	
Seamen (3)	Ditto	104	0	0	"
¹ Gives security to the amount of £300.							
NOTE.—2s. 6d. ration allowance in addition to above paid to Master of Dredge, and 1s. per night to crew when engaged on nightwork.							

Office.	Name.	Date of Appointment.	By whom appointed, and under what Instrument.	Annual Salary. £ s. d.	Date of first Appointment under the Colonial Government.	
SECRETARY FOR PUBLIC WORKS—HARBOURS AND RIVER NAVIGATION—continued.						
"CLARENCE" DREDGE.						
Engineer and Master.....	John Robertson ¹	12 June, 1877	Secretary for Public Works	327 0 0	12 June, 1877.	
Mate (1).....	Engineer-in-Chief	156 0 0	each.	
Second Engineer (1).....	Ditto	192 0 0		
Blacksmith (1).....	Ditto	168 0 0		
Carpenter (1).....	Ditto	144 0 0		
Coxswains (2).....	Ditto	120 0 0		
Fireman (1).....	Ditto	120 0 0		
Hammerman (1).....	Ditto	120 0 0		
Breaksman (1).....	Ditto	104 0 0		
Seamen (3).....	Ditto	104 0 0		
Cook (1).....	Ditto	104 0 0		
Nightwork—		
Second Mate.....	Ditto	144 0 0		
Engineer.....	Ditto	144 0 0		
Fireman.....	Ditto	120 0 0		
Coxswain (2).....	Ditto	120 0 0		
Boy (1).....	Ditto	60 0 0		
Breaksman (1).....	Ditto	104 0 0		
Seamen (4).....	Ditto	104 0 0		
Tug "Little Nell"—		
Master (1).....	Ditto	204 0 0		
Engineer (1).....	Ditto	180 0 0		
Fireman (1).....	Ditto	120 0 0		
Seamen (2).....	Ditto	104 0 0		
Cook (1).....	Ditto	104 0 0		
Night Crew—		
Second Master (1).....	Ditto	192 0 0		
Second Engineer (1).....	Ditto	144 0 0		
Fireman (1).....	Ditto	120 0 0		
Seamen (2).....	Ditto	104 0 0		
¹ Gives security to the amount of £300. NOTE.—2s. 6d. ration allowance, in addition to above, paid to Master of Dredge, and 1s. paid to crew when engaged on night work.						
STEAM DREDGE "ARCHIMEDES."						
Engineer and Master.....	David S. Kirkwood ¹	1 June, 1875	Governor and Executive Council	300 0 0	1 Nov., 1864	
Mate (1).....	Engineer-in-Chief	156 0 0	each.	
Engineer (1).....	Ditto	144 0 0		
Carpenter (1).....	Ditto	144 0 0		
Stoker (1).....	Ditto	120 0 0		
Coxswain (2).....	Ditto	120 0 0		
Seamen (4).....	Ditto	104 0 0		
Cook (1).....	Ditto	104 0 0		
Watchman (1).....	Ditto	104 0 0		
Boy (1).....	Ditto	75 0 0		
Tug "Achilles"—		
Master (1).....	Ditto	192 0 0		
Engineer (1).....	Ditto	192 0 0		
Stokers (2).....	Ditto	120 0 0		
Seaman (1).....	Ditto	104 0 0		
¹ Gives security to the amount of £300.						
FITZ ROY DRY DOCK, COCKATOO ISLAND.						
Shipwright Carpenter and Foreman of Dock.	Samuel Hayes ¹	6 May, 1872	Governor and Executive Council	275 0 0		6 May, 1872.
Clerk and Storekeeper	William F. Lloyd ¹	14 Mar., 1873	Secretary for Public Works	225 0 0	14 Mar., 1873.	
Assistant Storekeeper	Walter W. Hayward	1 July, 1875	Ditto	200 0 0	1 July, 1875.	
Engineer Mechanic	John Doran ¹	15 July, 1861	Governor and Executive Council	200 0 0	15 July, 1861.	
Fireman (1).....	Secretary for Public Works	108 0 0	6s. per diem	
Watchman (1).....	Ditto	108 0 0		
¹ Allowed a house and fuel.						

PART XI.

Postmaster General,

AND THE

DEPARTMENTS UNDER HIS SUPERVISION AND CONTROL.

SUMMARY.

	PAGE.
Post Office	116
Money Order Office	120
Electric Telegraphs	121
Government Savings' Bank	132

POSTMASTER GENERAL.

Office.	Name.	Date of Appointment.	By whom appointed, and under what Instrument.	Annual Salary.	Date of first Appointment under the Colonial Government.
				£ s. d.	
POST OFFICE.					
Postmaster General	John Fitzgerald Burns ...	19 Dec., 1877	Governor and Executive Council, by Commission.	1,500 0 0	9 Feb., 1875.*
	succeeded by				
	Saul Samuel, C.M.G.	21 Dec., 1878	Ditto	1,500 0 0	27 Oct., 1859.*
Secretary	Stephen Harbord Lambton	1 Sept., 1866	Ditto	800 0 0	6 Sept., 1852.
Accountant	Charles Nightingale	1 April, 1867	Governor and Executive Council	450 0 0	1 May, 1852.
Superintendent of Mail Branch.	Asher Australia Day	1 Feb., 1875	Ditto	450 0 0	1 Jan., 1858.
Chief Clerk	James Dalgarno	1 Jan., 1869	Ditto	450 0 0	22 Oct., 1860.
Cashier	Wallace Adams Ring ¹	6 Feb., 1877	Ditto	400 0 0	20 Jan., 1854.
	succeeded by				
	John Thompson	5 Nov., 1878	Ditto	400 0 0	1 April, 1863.
Clerks	George P. Unwin	1 Mar., 1862	Ditto	400 0 0	9 May, 1861.
	John T. M'Mahon	17 April, 1862	Ditto	400 0 0	13 Mar., 1858.
	John Thompson ²	1 April, 1863	Ditto	350 0 0	1 April, 1863.
	William L. Carter	1 Nov., 1874	Ditto	350 0 0	1 Feb., 1871.
	George Barnett	3 July, 1865	Ditto	300 0 0	3 July, 1865.
				to 4 Nov.	
				350 0 0	
				from 5 Nov.	
	Benjamin C. Bradshaw ...	1 Jan., 1854	Governor	300 0 0	8 Feb., 1853.
	Joseph Clarke	24 Sept., 1866	Governor and Executive Council	300 0 0	13 Feb., 1866.
	William E. Hope ³	26 June, 1865	Ditto	300 0 0	26 June, 1865.
	Gervas J. Ward	14 April, 1862	Ditto	300 0 0	14 April, 1862.
	Alfred C. Button	1 Mar., 1868	Ditto	300 0 0	17 July, 1857.
	Henry Murdoch	20 Dec., 1866	Ditto	250 0 0	1 May, 1862.*
				to 4 Nov.	
				300 0 0	
				from 5 Nov.	
	Samuel Malcolm M. Dennis	24 Dec., 1878	Ditto	300 0 0	1 June, 1868.
	Thomas Yelloly Harle ...	10 Oct., 1862	Ditto	250 0 0	10 Oct., 1862.
	Pierce Goold	1 Dec., 1871	Ditto	250 0 0	1 April, 1864.
	Charles Clarke	1 Jan., 1868	Ditto	250 0 0	24 Sept., 1866.
	William B. Foster	1 Jan., 1871	Ditto	250 0 0	14 Mar., 1868.
	Robert R. Iredale	1 Jan., 1871	Ditto	250 0 0	16 Mar., 1869.
	Frederick G. Davies	4 April, 1871	Ditto	225 0 0	1 June, 1870.
				to 4 Nov.	
				250 0 0	
				from 5 Nov.	
	Thomas H. Balderstone ⁴ ..	1 Jan., 1867	Ditto	225 0 0	1 July, 1856.
	Andrew Porter	1 May, 1867	Ditto	225 0 0	4 Mar., 1858.
	Robert Edward	1 Sept., 1872	Ditto	200 0 0	19 Mar., 1868.
				to 3 June.	
				225 0 0	
				from 4 June.	
	Charles Cavenagh	1 July, 1877	Ditto	200 0 0	21 Aug., 1876.
				to 4 Nov.	
				225 0 0	
				from 5 Nov.	
	Edward S. Tribe	1 Sept., 1872	Ditto	200 0 0	26 April, 1871.
	Andrew Johnston Arndell	1 Jan., 1873	Ditto	200 0 0	22 Oct., 1872.
	Edwin Lloyd ⁵	1 Feb., 1873	Ditto	200 0 0	1 Feb., 1873.
	Walter M'Clintock	18 Oct., 1876	Ditto	175 0 0	1 Jan., 1874.
				to 3 June.	
				200 0 0	
				from 4 June.	
	Patrick Durkan ⁶	1 Jan., 1874	Ditto	175 0 0	1 Mar., 1873.
	George Read	1 April, 1874	Ditto	175 0 0	14 Mar., 1872.*
				to 23 June.	
				200 0 0	
				from 24 June.	
	Thomas S. J. Rigg	1 April, 1874	Ditto	175 0 0	9 Feb., 1874.
				to 4 Nov.	
				200 0 0	
				from 5 Nov.	
	Richard H. Crakanthorp...	5 May, 1865	Ditto	200 0 0	5 May, 1865.
	Edward B. Seymour	1 April, 1874	Ditto	175 0 0	1 Nov., 1872.
	Francis da Costa Aria ⁷ ...	1 Jan., 1875	Ditto	175 0 0	21 April, 1874.
	Reginald L. de C. Russell...	1 Jan., 1875	Ditto	175 0 0	1 Aug., 1873.
	Augustine J. Maedermott	10 Mar., 1875	Ditto	175 0 0	8 April, 1874.
	Charles Augustus Ord ...	1 May, 1875	Ditto	150 0 0	1 Nov., 1873.
				to 15 April.	
				175 0 0	
				from 16 April.	
	George Lynn Little	1 May, 1875	Ditto	150 0 0	1 May, 1873.
				to 3 June.	
				175 0 0	
				from 4 June.	
	Patrick J. Foley ⁸	10 May, 1875	Ditto	150 0 0	10 May, 1875.

¹ To 4 November—deceased. ² Appointed Cashier. ³ To 23 Dec.—appointed Postmaster, Wagga Wagga. ⁴ To 3 June—deceased. ⁵ To 23 June—appointed Postmaster, East Maitland. ⁶ To the 15 April. ⁷ To 20 Sept.—appointed Postmaster, Yass. ⁸ To 4 Feb.—resigned. * Services not continuous.

NEW SOUTH WALES—1878.

117

Office.	Name.	Date of Appointment.	By whom appointed, and under what Instrument.	Annual Salary.	Date of first Appointment under the Colonial Government.
				£ s. d.	
POSTMASTER GENERAL—POST OFFICE— <i>continued.</i>					
Clerks— <i>continued</i>	James M'Neilly	14 July, 1875	Governor and Executive Council	150 0 0 to 23 June.	14 July, 1875.
	Hamilton Jacob	8 July, 1875	Ditto	175 0 0 from 24 June. 150 0 0 to 20 Sept.	5 May, 1875.
	Henry W. R. Holmes	1 April, 1875	Ditto	175 0 0 from 21 Sept. 150 0 0 to 4 Nov.	12 Dec., 1871.
	Francis G. Langstaff	1 July, 1876	Ditto	175 0 0 from 5 Nov. 132 0 0 to 4 Feb.	14 Jan., 1875.
	John R. H. Gibbons	1 Jan., 1874	Ditto	150 0 0 from 5 Feb. 132 0 0 to 15 April.	22 April, 1872.
	John S. Richardson.....	1 Nov., 1875	Ditto	150 0 0 from 16 April. 132 0 0 to 3 June.	1 Nov., 1875.
	Henry Davies	6 Sept., 1876	Ditto	150 0 0 from 4 June. 132 0 0 to 23 June.	24 Feb., 1875.
	Thos. Bannerman Grainger	27 Nov., 1876	Ditto	150 0 0 from 24 June. 132 0 0 to 20 Sept.	30 Oct., 1876.
	Francis Butler	1 Oct., 1875	Ditto	150 0 0 from 21 Sept. 132 0 0 to 4 Nov.	1 Sept., 1875.
	William F. West ¹	1 Jan., 1874	Ditto	150 0 0 from 5 Nov. 132 0 0	7 May, 1872.
	John Overmyer	10 Dec., 1875	Ditto	132 0 0	10 Dec., 1875.
	Patrick O'Connor	14 Dec., 1875	Ditto	132 0 0	14 Dec., 1875.
	George M'Gibbon	1 July, 1876	Ditto	132 0 0	7 Dec., 1875.
	Charles Brady	1 July, 1876	Ditto	132 0 0	27 May, 1875.
	Albert Ney Landers	1 July, 1876	Ditto	100 0 0 to 4 Feb. 132 0 0 from 5 Feb.	26 Jan., 1876.
	James Arthur B. Fry ² ...	1 Dec., 1876	Ditto	100 0 0 to 15 April. 132 0 0 from 16 April.	1 Dec., 1876.
	Noel Anderson	20 Jan., 1877	Ditto	100 0 0 to 19 May. 132 0 0 from 20 May.	8 Jan., 1875.
	John F. Doherty	6 Feb., 1877	Ditto	100 0 0 to 3 June. 132 0 0 from 4 June.	20 Mar., 1874.
	John Robinson.....	26 Mar., 1877	Ditto	100 0 0 to 23 June. 132 0 0 from 24 June.	16 Feb., 1877.
	Frank Quirk.....	13 May, 1877	Ditto	100 0 0 to 20 Sept. 132 0 0 from 21 Sept.	1 Aug., 1874.
	Walter W. Ryan.....	15 Feb., 1877	Ditto	100 0 0 to 4 Nov. 132 0 0 from 5 Nov.	10 Dec., 1875.
	Herbert C. R. Doyle	1 Mar., 1877	Ditto	100 0 0	28 Aug., 1876.
	George Sims	1 July, 1877	Ditto	100 0 0	4 Dec., 1876.
	Charles Forsyth	1 July, 1877	Ditto	100 0 0	1 Dec., 1876.
	Pierce J. Heally	4 Aug., 1877	Ditto	100 0 0	10 April, 1874.
	James W. Kenny.....	1 July, 1877	Ditto	100 0 0	14 Feb., 1877.
	Jabez Hambly	20 May, 1878	Ditto	100 0 0	1 Feb., 1874.
	John N. Mason	1 July, 1877	Ditto	100 0 0	4 June, 1877.
	Charles E. Williams	17 July, 1877	Ditto	100 0 0	17 July, 1877.
	Frederick Williams	5 Feb., 1878	Ditto	100 0 0	10 Aug., 1874.
	Denniston Dewar Moon ...	16 April, 1878	Ditto	100 0 0	10 Sept., 1877.
	John Primrose Byram ...	26 Aug., 1878	Ditto	75 0 0 to 4 Nov. 100 0 0 from 5 Nov.	3 May, 1878.

¹ To 19 May—appointed Postmaster, Park-street.² Receives £25 per annum for services as a Shorthand-writer.

Office.	Name.	Date of Appointment.	By whom appointed, and under what instrument.	Annual Salary.			Date of first Appointment under the Colonial Government.
				£	s.	d.	
POSTMASTER GENERAL—POST OFFICE—continued.							
Clerks—continued	Herbert Swire	28 Aug., 1878	Governor and Executive Council	100	0	0	31 Jan., 1877.
	Joseph Bell	5 Nov., 1878	Ditto	100	0	0	10 Aug., 1876.
	John Norman Douglass Campbell.	27 Feb., 1878	Ditto	50	0	0	27 Feb., 1878.
				to 29 Aug.			
				75 0 0			
				from 30 Aug.			
	Alexander M'Neilly	21 Sept., 1878	Ditto	50	0	0	20 Dec., 1877.
Postal Inspectors ¹	William Buchanan	1 Feb., 1875	Ditto	450	0	0	6 May, 1852.
	Gabriel de Milhau	1 Jan., 1867	Ditto	450	0	0	11 Oct., 1866.
	Vickers Moyses	1 Jan., 1873	Ditto	450	0	0	1 Jan., 1867.
	Wyndham J. Davies	1 July, 1877	Ditto	450	0	0	15 May, 1862.
Shipping Clerk (1) ²			Postmaster General	150	0	0	
„ Messenger (1) ³			Ditto	120	0	0	
Stampers and Sorters (25)			Postmaster General	5 at 175	0	0	each.
				5 at 150	0	0	„
				15 at 132	0	0	„
				5 at 175	0	0	„
				7 at 150	0	0	„
				6 at 175	0	0	„
				4 at 150	0	0	„
				1 at 132	0	0	„
				6 at 156	0	0	„
				13 at 144	0	0	„
				23 at 132	0	0	„
				35 at 120	0	0	„
				27 at 108	0	0	„
				1 ¹ at 150	0	0	„
Messengers (3)			Ditto	1 at 120	0	0	
				1 at 108	0	0	
				6 at 78	0	0	„
Mail Boys (20) ⁷			Ditto	12 at 50	0	0	„
				1 at 52	0	0	
				1 at 31	0	0	
Boy Messengers (3)			Ditto	75	0	0	„
Mechanic for Gas Fittings, &c. (1).			Ditto	150	0	0	
Storeman (1)			Ditto	108	0	0	
Groom (1)			Ditto	104	0	0	
Officekeeper (1) ⁹			Ditto	61	0	0	
1st class Detective (1)			Ditto	0	10	6	per diem.
Constables (3)				0	7	0	„ each.
Window Cleaner (1)			Ditto	78	0	0	
Gate-keepers (2)			Ditto	1 at 0	6	0	
				1 at 0	5	0	
Female and Boy Servants (7)	{ 4 Females		Ditto	52	0	0	each.
	{ 3 Boys		Ditto	2 at 52	0	0	„
				1 at 26	0	0	
OFFICIAL POSTMASTERS, &c.							
Suburban Offices—¹⁰							
Balmain	Catherine Chape	1 April, 1874	Governor and Executive Council	150	0	0	1 April, 1874.
Edgecliff	Henrietta North	16 July, 1877	Postmaster General	10	0	0	8 Mar., 1875
Glebe	Minnie L. Knott	21 Sept., 1877	Ditto	25	0	0	16 Mar., 1875.
Haymarket	William Henry Hunt	1 Mar., 1877	Governor and Executive Council	150	0	0	27 April, 1867.
Hunter's Hill	Rachel Lilla Twentymann	1 Aug., 1876	Postmaster General	52	0	0	1 July, 1876.
King-street	William Charles Denshire	1 Mar., 1878	Governor and Executive Council	120	0	0	1 Nov., 1872.
				to 31 Aug.			
				150 0 0			
				from 1 Sept.			
Manly	Louise F. Stephen	1 Mar., 1876	Postmaster General	52	0	0	1 Mar., 1876.
Miller's Point	Joseph Lee	18 Feb., 1878	Governor and Executive Council	120	0	0	1 June, 1868.
Newtown	George West	1 Aug., 1873	Ditto	150	0	0	1 Aug., 1873.
Oxford-street	Charles B. Cuttriss	15 Feb., 1877	Ditto	150	0	0	21 Jan., 1858.
Paddington	Henry Gale	1 Mar., 1877	Ditto	150	0	0	5 Dec., 1856.*
Park-street	William F. West	20 May, 1878	Ditto	120	0	0	7 May, 1872.
Parramatta-street	William O'Neill ¹⁰	15 Feb., 1877	Ditto	150	0	0	17 May, 1875.
	succeeded by						
	John Smith Arnott	4 Oct., 1878	Ditto	150	0	0	12 Sept., 1862.*
Randwick	Angelina Dargin	1 Mar., 1877	Postmaster General	22	0	0	8 Mar., 1875.
Redfern	James Scowcroft	1 July, 1875	Governor and Executive Council	150	0	0	7 Sept., 1861.
St. Leonards	Charles John Booty	1 Mar., 1876	Ditto	150	0	0	8 Aug., 1870.
Waverley	Lizzie Ferris	3 July, 1876	Postmaster General	52	0	0	3 July, 1876.
William-street	Ion Brown Bossley	1 Aug., 1873	Governor and Executive Council	150	0	0	28 Aug., 1861.*

¹ Each allowed 3s. 6d. per diem for each horse, not exceeding two, when in town, and 30s. per diem when travelling on duty. ² Allowed £60 per annum for house rent; also allowed a cap, summer coat, winter coat, two pairs of blue cloth trousers, and one pair of blue serge trousers. ³ Allowed a cap, summer coat, winter coat, two pairs of blue cloth trousers, and one pair of blue serge trousers. ⁴ Two receive a travelling allowance of 15s. per week each, and nine an allowance of 2s. per diem each when on duty; each allowed a cap, summer coat, winter coat, two pairs blue cloth trousers, and one pair blue serge trousers. ⁵ Two receive a travelling allowance of 15s. per week each, and nine an allowance of 2s. per diem each when on duty. ⁶ Each allowed a cap, summer coat, winter coat, two pairs blue cloth trousers, one pair blue serge trousers; and the Letter Carriers at Albury, Alexandria (2), Balmain, Bathurst (1), Deniliquin, Grafton (2), Goulburn (2), Hill End, Morpeth, Mudgee, Newcastle (1), Parramatta (3), St. Leonards (2), Singleton, Sydney (1), Wallsend, Waterloo, Waverley, West Maitland (2), and Wickham, allowed 2s. per diem; the two at Tamworth, 3s. per diem; the one at East Maitland, and one at Newcastle 4s. per diem; the one at Armidale, £25 per annum; one at Newcastle, £25 per annum; one at Parramatta, £41 ros. per annum; and the one at Windsor, £25 per annum, in lieu of forage; and the one at Hay £25 per annum for house rent. ⁷ Allowed £12 per annum in lieu of quarters. ⁸ Each allowed a cap, a summer coat, winter coat, two pairs of Bedford cord trousers, and one pair blue serge trousers; and the mail-boy at Newcastle allowed £25 per annum in lieu of forage. ⁹ Allowed quarters, fuel, and light. ¹⁰ Each allowed a commission of 5 per cent. on the sale of postage stamps, and a commission on Money Order and Savings Bank business, except the Postmistresses at Edgecliff and Hunter's Hill, who receive commission on stamps only; and the Postmistress at Randwick, commission on postage stamps and Money Order business. All allowed fuel and light, except the Postmistresses at Hunter's Hill and Manly. Each allowed quarters, except the Postmistress at Balmain, who receives £60 per annum for house rent; and the Postmaster at Newtown £52 for house rent. The Postmaster at Haymarket allowed £6 per annum for keeping office clean; and the Postmistress, Manly, allowed £5 per annum for portage of mails. ¹¹ To 3 October—appointed Postmaster, Mudgee. * Services not continuous.

NEW SOUTH WALES—1878.

119

Office.	Name.	Date of Appointment.	By whom appointed, and under what Instrument.	Annual Salary. £ s. d.	Date of first Appointment under the Colonial Government.
POSTMASTER GENERAL—POST OFFICE—continued.					
Country Districts— ¹					
Albury	Thomas H. Stone.....	1 May, 1864	Governor and Executive Council	263 0 0	1 April, 1854.
Armidale.....	John W. Emblin.....	15 Oct., 1862	Ditto	247 0 0	15 Oct., 1862.
Bathurst.....	William G. Thompson.....	1 Oct., 1866	Ditto	300 0 0	1 Aug., 1863.
Deniliquin	William Owen.....	1 Mar., 1876	Ditto	225 0 0	25 Nov., 1872.
East Maitland	Richard P. Browne ²	24 Jan., 1876	Postmaster General	153 0 0	24 Jan., 1876.
	succeeded by				
	Edwin Lloyd	24 June, 1878	Governor and Executive Council	153 0 0	1 Feb., 1873.
Goulburn	Samuel M. M. Dennis ³	15 Feb., 1877	Ditto	300 0 0	1 June, 1868.
	succeeded by				
	William C. Johnson.....	21 Sept., 1878	Ditto	250 0 0	1 Oct., 1857.
Liverpool	Charles E. Dale.....	12 July, 1878	Ditto	150 0 0	1 Aug., 1872.
Mudgee	Charles H. Grant ⁴	1 Sept., 1875	Ditto	210 0 0	21 April, 1858.
	succeeded by				
	William O'Neill	4 Oct., 1878	Ditto	210 0 0	17 May, 1875.
Murrurundi	John Smith Arnott ⁵	15 June, 1871	Postmaster General	170 0 0	12 Sept., 1862.*
	succeeded by				
	William R. Bowen.....	4 Oct., 1878	Governor and Executive Council	150 0 0	18 Jan., 1875.
Muswellbrook.....	William Charles Denshire ⁶	1 Nov., 1872	Postmaster General	125 0 0	1 Nov., 1872.
	succeeded by				
	Henry Wheeler	1 Mar., 1878	Ditto	125 0 0	1 Aug., 1856.*
Newcastle	William Thompson	1 Sept., 1862	Governor and Executive Council	330 0 0	30 June, 1855.
Parramatta	Thomas William H. Dee.....	15 Feb., 1877	Ditto	160 0 0	23 April, 1867.
Penrith	Charles H. Kellett.....	1 Oct., 1873	Ditto	200 0 0	1 Oct., 1873.
Wagga Wagga	Samuel M. M. Dennis ⁷	21 Sept., 1878	Ditto	250 0 0	1 June, 1868.
	succeeded by				
	William E. Hope.....	24 Dec., 1878	Ditto	250 0 0	26 June, 1865.
West Maitland	Eliza B. Daly	18 Feb., 1853	Ditto	262 0 0	18 Feb., 1853.
Yass.....	William C. Johnson ⁸	1 Dec., 1871	Ditto	200 0 0	1 Oct., 1857.
	succeeded by				
	Francis da Costa Aria.....	21 Sept., 1878	Ditto	200 0 0	21 April, 1874.
Assistant Postmasters—					
Albury (1st Assistant)...	William Keohan ⁹	23 Mar., 1875	Postmaster General	175 0 0	23 Mar., 1875.
	succeeded by				
	John George Elliott	4 Oct., 1878	Ditto	150 0 0	8 May, 1876.
(2nd do)	John George Elliott ¹⁰	8 May, 1876	Ditto	£100 to 28 Feb., £125 from 1 Mar.	8 May, 1876.
	succeeded by				
	Richard Fetherston	4 Oct., 1878	Ditto	125 0 0	1 June, 1876.
(3rd do)	Henry M'Mullen	15 Jan., 1878	Ditto	100 0 0	15 Jan., 1878.
Armidale	Mary De Vere Emblin.....	1 July, 1871	Ditto	50 0 0	1 July, 1871.
Bathurst (1st Assistant)...	Charles Edwin Dale ¹¹	1 Aug., 1872	Ditto	175 0 0	1 Aug., 1872.
	succeeded by				
	Peter Martin ¹²	12 July, 1878	Ditto	150 0 0	7 Oct., 1875.
	succeeded by				
	Andrew Melville	16 Aug., 1878	Ditto	175 0 0	18 May, 1874.
(2nd do)	Peter Martin ¹³	28 July, 1876	Ditto	£104 to 3 Feb., £120 from 4 Feb.	7 Oct., 1875.
	succeeded by				
	Sydney Smith	12 July, 1878	Ditto	£100 to 31 Oct., £120 from 1 Nov.	13 Nov., 1877.
(3rd do)	Jabez Hambly ¹⁴	1 Feb., 1874	Ditto	100 0 0	1 Feb., 1874.
	succeeded by				
	Sydney Smith ¹³	19 Feb., 1878	Ditto	75 0 0	13 Nov., 1877.
	succeeded by				
	Joseph Doherty ¹⁵	12 July, 1878	Ditto	75 0 0	17 June, 1878.
	succeeded by				
	Michael Brady.....	3 Oct., 1878	Ditto	78 0 0	3 Oct., 1878.
(4th do)	Joseph Doherty ¹⁵	17 June, 1878	Ditto	75 0 0	17 June, 1878.
Deniliquin (1st Assistant)...	William Robinson Bowen ¹⁶	18 Jan., 1875	Ditto	175 0 0	18 Jan., 1875.
	succeeded by				
	John R. Eastcott ¹⁷	18 Feb., 1878	Ditto	£175 to 30 June, £200 from 1 July.	1 Mar., 1875.
	succeeded by				
	William Keohan	4 Oct., 1878	Ditto	200 0 0	23 Mar., 1875.
(2nd do)	Richard Fetherston ¹⁸	1 June, 1876	Ditto	£75 to 19 March £100 fr. 20 Mar.	1 June, 1876.
	succeeded by				
	Charles Angus M'Diarmid	4 Oct., 1878	Ditto	100 0 0	4 Oct., 1878.
East Maitland	Dora Gifford Browne.....	24 Jan., 1876	Ditto	£20 to 23 June, £52 from 24 June	24 Jan., 1876.
Goulburn (1st Assistant)...	Thomas P. Burgis ¹⁹	15 May, 1875	Ditto	175 0 0	16 Sept., 1872.
(2nd do)	William G. Ledsam ²⁰	14 May, 1875	Ditto	150 0 0	14 May, 1875.
	succeeded by				
	Joseph Thompson	12 Sept., 1878	Ditto	150 0 0	1 Aug., 1873.

¹ Each allowed a commission of 5 per cent. on the sale of postage stamps, and a commission on Money Order and Savings' Bank business, except the Postmasters at Bathurst, Newcastle, and Penrith, and the late Postmaster at Goulburn (Dennis), who do not receive commission on sale of stamps. Each allowed quarters, excepting the Postmaster at Murrurundi, who receives £20 to 3 October, £26 from 4 October; Muswellbrook, £26; and Penrith, £20 10s. per annum for house rent. Allowances also to Postmasters, as follows:—Albury, £10, Armidale, Bathurst, and Murrurundi, £6, Deniliquin, £12, East Maitland, £2 to 3 May, £4 from 4 May, Goulburn, £30, Mudgee, £8, Muswellbrook and Penrith, £3, Newcastle and Parramatta, each £4, Wagga Wagga, £15, and Yass, £5 per annum for fuel and light. West Maitland allowed fuel and light; and for keeping offices clear the Postmaster, Bathurst, receives £26 per annum; East Maitland (Lloyd), £6; and Goulburn and Newcastle, each £13. ² To 3 May—removed. ³ To 20 September—appointed Postmaster, Wagga Wagga. ⁴ To 16 September—removed. ⁵ To 3 October—appointed Postmaster, Parramatta-street. ⁶ To 28 February—appointed Postmaster, King-street. ⁷ To the 23rd December—exchanged appointment with Mr. Hope, clerk in Head Office. ⁸ To 20 September—appointed Postmaster, Goulburn. ⁹ To 3 October—appointed to Deniliquin. ¹⁰ To 3 October—see above. ¹¹ To 11 July—appointed Postmaster, Liverpool. ¹² To 15 August—appointed Assistant at Haymarket. ¹³ To 11 July—see above. ¹⁴ To 18 February—appointed Probationary Clerk, Head Office. ¹⁵ To 2 October—appointed Probationary Clerk, Head Office. ¹⁶ To 17 February—appointed 1st Assistant at Newcastle. ¹⁷ To 3 October—appointed to Newcastle. ¹⁸ To 3 October—appointed to Albury. ¹⁹ Allowed £35 per annum in lieu of quarters. ²⁰ Allowed £35 per annum in lieu of quarters. To 11 September—appointed to Wagga Wagga.

* Services not continuous.

Office.	Name.	Date of Appointment.	By whom appointed, and under what Instrument.	Annual Salary.	Date of first Appointment under the Colonial Government.
				£ s. d.	
POSTMASTER GENERAL—POST OFFICE—continued.					
<i>Assistant Postmasters—continued.</i>					
Goulburn—continued (3rd Assistant)	John R. Eastcott ¹	5 Feb., 1877	Postmaster General	120 0 0	1 Mar., 1875.
	succeeded by Joseph Thompson ²	18 Feb., 1878	Ditto	125 0 0	1 Aug., 1873.
	succeeded by Thomas J. Lynch	12 Sept., 1878	Ditto	120 0 0	1 Oct., 1876.
(4th do)...	Rowland George M'Manus	25 Mar., 1878	Ditto	120 0 0	25 Mar., 1878.
Haymarket	Denis George Garvan ³	21 June, 1878	Ditto	52 0 0	21 June, 1878.
	succeeded by Peter Martin ⁴	16 Aug., 1878	Ditto	78 0 0	7 Oct., 1875.
	succeeded by Francis Edisbury Davies	7 Sept., 1878	Ditto	78 0 0	7 Sept., 1841*
Manly	Rosa Elizabeth W. Gibbes ⁵	13 Oct., 1877	Ditto	25 0 0	14 Sept., 1877.
	succeeded by Robert James Farquharson	3 June, 1878	Ditto	25 0 0	3 June, 1878.
Mudgee	Thomas J. Lynch ²	1 Jan., 1877	Ditto	100 0 0	1 Oct., 1876.
	succeeded by John Dudgeon	12 Sept., 1878	Ditto	100 0 0	12 Sept., 1878.
Murrurundi	Henry Wheeler ⁶	5 April, 1875	Ditto	78 0 0	1 Aug., 1856*
Newcastle (1st Assistant)...	Joseph Lee ⁷	1 Sept., 1872	Governor and Executive Council	175 0 0	1 June, 1868.
	succeeded by William Robinson Bowen ⁸	18 Feb., 1878	Postmaster General	£175 to 30 June. £200 from 1 July	18 Jan., 1875.
	succeeded by John R. Eastcott	4 Oct., 1878	Ditto	200 0 0	1 Mar., 1875.
(2nd do)...	Joseph Thompson ⁹	1 Aug., 1873	Ditto	100 0 0	1 Aug., 1873.
	succeeded by Charles E. Nicholson	18 Feb., 1878	Ditto	£100 to 14 Oct. £150 from 15 Oct	26 July, 1876.
(3rd do)...	Charles E. Nicholson ¹⁰	13 Dec., 1876	Ditto	75 0 0	26 July, 1876.
	succeeded by John Scobie ¹¹	19 Feb., 1878	Ditto	75 0 0	19 Feb., 1878.
(4th Assistant and Stamper and Sorter.)	Louis Emanuel ¹²	29 Dec., 1875	Ditto	150 0 0	29 Dec., 1875.
	succeeded by William Child ¹³	10 May, 1878	Ditto	150 0 0	15 Mar., 1872.
	succeeded by William Fursman	11 Nov., 1878	Ditto	150 0 0	23 April, 1878.
Newtown	Sydney Melbourne Dargin	12 Mar., 1877	Ditto	25 0 0	1 Sept., 1874.
Parramatta (1st Assistant)	John A. Ashley	1 Aug., 1877	Ditto	£104 to 2 May. £124 from 3 May.	7 June, 1875.
(2nd Assistant)	C. H. Dee	15 Feb., 1877	Ditto	50 0 0	1 May, 1875
Parramatta-street	Samuel Phillips	26 Feb., 1877	Ditto	25 0 0	19 Aug., 1876.
Wagga Wagga (1st Assistant)	William G. Ledsam	12 Sept., 1878	Ditto	200 0 0	14 May, 1875.
(2nd Assistant)	Andrew Carroll	1 June, 1877	Ditto	£100 to 31 Oct. £130 from 1 Nov.	1 June, 1877.
West Maitland (1st Assistant.)	Margaret Ellen Daly	1 Jan., 1878	Ditto	100 0 0	1 Jan., 1878.
(2nd Assistant)	William Dwyer ¹⁴	6 Mar., 1878	Ditto	52 0 0	6 Mar., 1878.
	succeeded by Thomas Ogle	19 June, 1878	Ditto	52 0 0	24 April, 1878*
Yass.....	Robt. G. Smith	1 Jan., 1877	Ditto	75 0 0	1 Jan., 1877

¹ To 17 February—appointed to Deniliquin. ² To 11 September—promoted. ³ To 15 August—appointed Probationary Clerk, Head Office. ⁴ To 28 August—removed. ⁵ To 2 June. ⁶ To 28 February—appointed to Muswellbrook. ⁷ To 17 February—appointed Postmaster, King-street. ⁸ To 3 October—appointed to Murrurundi. ⁹ To 17 February—appointed to Goulburn. ¹⁰ To 17 February—see above. ¹¹ To 11 December—resigned. ¹² To 9 May—appointed Railway Mail Sorter. ¹³ To 10 November—exchanged appointments with W. Fursman, Railway Mail Sorter. ¹⁴ To 31 May—resigned.

NOTE.—Amount of security given by the officers, viz. :—Secretary and Cashier, each £1,000; Accountant, £500; Superintendent of Mail Branch, Chief Clerk, Clerks (Mr. Hambly, £200), Postal Inspectors, Shipping Clerk, Shipping Messenger, Stammers and Sorters, Mail Guards, Railway Mail Sorters, Letter-carriers, Messengers, Mail-boys, Boy Messengers, Mechanic, Storeman, Grocer, Officekeeper, Window-cleaner, Gatekeepers, Boy Servants, and Assistant Postmasters, each £100; Official Postmasters and Postmistresses at Balmain, King-street, Manly, Miller's Point, Newtown, Paddington, Redfern, Waverley, William-street, Albury, Armidale, Bathurst, Goulburn (Mr. Dennis), Murrurundi (Mr. Arnot) Muswellbrook, Penrith, and West Maitland, each £600—the others £300 each, except the one at Edgecliff whose security is £100, Hunter's Hill, £200, and Randwick and Newcastle £400 each. * Services not continuous.

MONEY ORDER OFFICE.

Superintendent	Francis William Hill	26 June, 1865	Governor and Executive Council	600 0 0	5 Aug., 1850.
Chief Clerk	Andrew James Doak	1 July, 1875	Ditto	350 0 0	1 Feb., 1864.
Clerks	Arthur Robert Docker	1 Jan., 1867	Ditto	350 0 0	1 Jan., 1867.
	William Burnet	17 April, 1867	Ditto	300 0 0	17 April, 1867.
	William Palgrave Simpson	1 July, 1866	Ditto	200 0 0	1 July, 1866.
	William A. Uhr	1 Mar., 1869	Ditto	200 0 0	1 July, 1866.
	Alexander E. Blackmore	1 July, 1875	Ditto	200 0 0	1 Mar., 1869.
	Edwin B. F. Lumsdaine ¹	1 Nov., 1872	Ditto	150 0 0	1 May, 1872.
	John Joseph Mooney	1 June, 1875	Ditto	100 0 0	18 Mar., 1874.
				to 30 April. 150 0 0 from 1 May.	
	William H. Wager	1 May, 1878	Ditto	100 0 0	1 Dec., 1876.
	Ernest J. Clark	1 May, 1878	Ditto	100 0 0	1 Feb., 1877.
Messenger (1) ²			Postmaster General	100 0 0	
Officekeeper (1) ²			Ditto	20 0 0	

¹ To 30 April—transferred to Government Savings' Bank. ² Allowed quarters, fuel, and light.

NOTE.—The following officers give security:—Superintendent, £2,000; Chief Clerk, £400; Mr. Docker, £500; Messrs. Burnet, Simpson, Uhr, and Blackmore, each £400.

NEW SOUTH WALES—1878.

121

Office.	Name.	Date of Appointment.	By whom appointed, and under what Instrument.	Annual Salary.	Date of first Appointment under the Colonial Government.
				£ s. d.	
POSTMASTER GENERAL—continued.					
ELECTRIC TELEGRAPHS.					
<i>Chief Telegraph Office.</i> Superintendent	Edward Charles Cracknell ¹	15 Jan., 1861	Governor and Executive Council, by Commission.	800 0 0	1 Jan., 1858.
Assistant Superintendent	Philip B. Walker ²	1 Jan., 1866	Governor and Executive Council	450 0 0	18 Feb., 1858.
Accountant	Andrew M'Crackan ³	1 Aug., 1873	Ditto	400 0 0	1 May, 1861.
Book-keeper	Harry C. Usher ⁴	1 Mar., 1876	Ditto	275 0 0	17 Aug., 1864.
Cashier	David C. Coote	1 Jan., 1878	Ditto	250 0 0	1 June, 1874.
Record Clerk	Edward Dean	1 Mar., 1874	Ditto	200 0 0	1 Mar., 1874.
Corresponding Clerk	Stephen P. Moylan	17 June, 1877	Ditto	200 0 0	6 Aug., 1876.
Cashier	Edward W. Bramble	1 April, 1877	Ditto	150 0 0	1 Sept., 1872.
	Thomas W. Ferris	23 June, 1877	Postmaster General	150 0 0	23 June, 1877.
	James A. Cassidy	6 May, 1878	Governor and Executive Council	100 0 0	6 May, 1878.
Booking Clerks	John K. Miles ⁵	13 May, 1861	Ditto	300 0 0	27 April, 1856.
	Francis W. Hulme	1 July, 1877	Ditto	250 0 0	1 Nov., 1867.
	Gregory Board	16 Feb., 1870	Ditto	175 0 0	1 April, 1869.
	Frederick C. Freeman	1 May, 1874	Ditto	200 0 0	1 Jan., 1872.
	John W. Miller	3 Feb., 1875	Ditto	200 0 0	1 May, 1873.
	Eugene M'Carthy	1 Aug., 1877	Postmaster General	100 0 0	1 Aug., 1877.
				to 31 Mar.	
				120 0 0	
				from 1 April.	
	William G. Anderson	2 April, 1876	Ditto	150 0 0	2 April, 1876.
	Daniel J. O'Connor ⁶	23 Nov., 1876	Ditto	100 0 0	23 Nov., 1876.
	Thomas Sinclair ⁷	1 Mar., 1877	Governor and Executive Council	104 0 0	1 Mar., 1877.
	Thomas Griffiths	1 June, 1877	Ditto	104 0 0	1 June, 1877.
	George Johnson	3 Sept., 1877	Ditto	100 0 0	3 Sept., 1877.
	Frederick W. Knight	1 Sept., 1877	Ditto	52 0 0	1 Sept., 1877.
	Henry H. Torr ⁸	1 Oct., 1877	Ditto	52 0 0	1 Oct., 1877.
	succeeded by				
	Ernest A. Bingham	1 July, 1878	Ditto	52 0 0	1 July, 1878.
Chief Operating Room. Managers	William Wilson ⁹	1 Jan., 1873	Ditto	350 0 0	1 Nov., 1858.
	John V. Dalgarno ⁹	1 Jan., 1874	Ditto	350 0 0	9 Jan., 1860.
Telegraph Instructor	William H. Maguire	11 April, 1876	Ditto	250 0 0	1 Jan., 1860.
Check Clerk	John J. R. Ferris	1 Mar., 1876	Ditto	200 0 0	18 Nov., 1861.
Operators	John J. Hunt	1 Oct., 1869	Ditto	250 0 0	16 Mar., 1861.
	Ralph S. P. Clay	6 June, 1876	Ditto	200 0 0	1 Jan., 1875.
	Richard C. Wills	11 July, 1877	Ditto	200 0 0	9 Dec., 1858.
	William J. Parsons	1 April, 1877	Ditto	200 0 0	1 Jan., 1872.
	Charles T. Morgan	1 June, 1875	Ditto	200 0 0	1 June, 1863.
	Henry Corbett	1 Sept., 1872	Ditto	250 0 0	1 Oct., 1869.
	John Nelson	7 Mar., 1876	Ditto	250 0 0	13 May, 1873.
	Percy Clay	1 Mar., 1875	Ditto	250 0 0	1 Mar., 1875.
	Thomas Hammond	13 May, 1873	Ditto	200 0 0	11 Dec., 1872.
	Henry Robinson	1 June, 1873	Ditto	200 0 0	1 Dec., 1869.
	Charles J. Murphy	1 Jan., 1874	Ditto	200 0 0	1 Dec., 1870.
	Edwin J. Young	1 Feb., 1875	Ditto	200 0 0	5 Jan., 1872.
	Henry J. Sykes	26 Oct., 1876	Ditto	200 0 0	1 Mar., 1871.
	Michael W. Maloney	1 June, 1874	Ditto	200 0 0	1 June, 1874.
	Francis Bussell	6 June, 1876	Ditto	150 0 0	1 Sept., 1873.
	Henry Martin	1 Mar., 1874	Ditto	150 0 0	1 April, 1872.
	John Nesbitt, junr.	1 Jan., 1874	Ditto	150 0 0	1 Feb., 1872.
	George Rae	1 June, 1875	Ditto	150 0 0	1 June, 1875.
	Henry Williams	6 June, 1876	Ditto	150 0 0	1 Jan., 1874.
	Michael Howard	1 Mar., 1875	Ditto	150 0 0	1 Mar., 1875.
	William C. Rush	26 Oct., 1876	Ditto	150 0 0	1 April, 1874.
	George Gresty	6 June, 1876	Ditto	150 0 0	1 Oct., 1874.
	Philip De Gruchy	1 Sept., 1875	Ditto	150 0 0	1 Sept., 1875.
	Frank P. Brewer	1 April, 1874	Ditto	150 0 0	1 Feb., 1873.
	Albion C. Croft	16 April, 1875	Ditto	150 0 0	16 April, 1875.
	Alexander A. Dircks	1 Sept., 1873	Ditto	150 0 0	1 April, 1873.
	Percy Eldershaw	8 May, 1876	Ditto	150 0 0	1 Sept., 1873.
	John Parsons	1 April, 1873	Ditto	150 0 0	1 April, 1873.
	George H. Martin ¹⁰	15 Feb., 1876	Ditto	150 0 0	15 Feb., 1875.
	succeeded by				
	Charles Fry	1 Aug., 1878	Ditto	150 0 0	24 Oct., 1874.
	Robert W. Arnott	3 June, 1876	Ditto	150 0 0	3 June, 1876.
	William J. Aubin	13 Sept., 1876	Ditto	150 0 0	1 Aug., 1875.
	Henry Burrows	26 Oct., 1876	Ditto	150 0 0	3 Feb., 1875.
	Christopher Shepherd	1 Sept., 1875	Ditto	150 0 0	1 Sept., 1875.
	Dugald M'Lean ¹¹	1 May, 1877	Ditto	120 0 0	1 July, 1875.
	succeeded by				
	John Douddy	1 Aug., 1878	Ditto	150 0 0	1 Aug., 1875.
	William A. Blackstone	1 June, 1877	Ditto	120 0 0	1 Oct., 1874.
				to 31 July.	
				150 0 0	
				from 1 Aug.	

¹ Allowed £100 per annum in lieu of forage. Gives security to the amount of £600.
² Allowed £200. ³ Gives security to the amount of £1,000—to 5 September.
⁴ Gives security to the amount of £500. ⁵ To 5 September. ⁶ To 31 May—dismissed.
⁷ Gives security for £50. ⁸ To 30 June—resigned. ⁹ Allowed £50 per annum for house rent. ¹⁰ To 31 July—appointed Station-master, Dungog.
¹¹ To 31 July—appointed Operator, La Perouse.

Office.	Name.	Date of Appointment.	By whom appointed, and under what Instrument.	Annual Salary. £ s. d.	Date of first Appointment under the Colonial Government.
POSTMASTER GENERAL—ELECTRIC TELEGRAPHS—continued.					
<i>Chief Telegraph Office—continued.</i>					
<i>Chief Operating Room—continued.</i>					
<i>Operators—continued.</i>					
	William F. Corbett ¹	1 July, 1877	Governor and Executive Council	150 0 0	1 June, 1874.
	William Jenkins	10 Mar., 1876	Ditto	104 0 0	1 Oct., 1874.
	Gustave Angles	1 Oct., 1874	Ditto	104 0 0 to 31 July. 150 0 0 from 1 Aug.	1 Sept., 1873.
	William B. Nesbitt.....	1 Oct., 1877	Ditto	104 0 0	1 Jan., 1875.
	Benjamin Cox	1 June, 1877	Ditto	104 0 0	14 Oct., 1874.
	William Wheatley	1 June, 1877	Ditto	104 0 0	1 June, 1877.
	Richard P. Martin	14 Dec., 1877	Ditto	104 0 0	14 Dec., 1877.
	James Cormick	14 Dec., 1877	Ditto	104 0 0	14 Dec., 1877.
	Frank Whysall	1 Dec., 1875	Ditto	104 0 0	1 Dec., 1875.
	George Cleland	1 Dec., 1875	Ditto	104 0 0	1 Dec., 1875.
	Ferdinand A. Tighe	1 Jan., 1877	Ditto	104 0 0	1 Nov., 1875.
	Edward J. Haslingden	1 Sept., 1877	Ditto	100 0 0 to 31 Aug. 120 0 0 from 1 Sept.	26 April, 1876.
	Frank Waller	1 July, 1875	Ditto	75 0 0	1 July, 1875.
	Robert Watson	1 Nov., 1877	Ditto	75 0 0	1 Nov., 1877.
	Walter E. Tomkinson	1 Jan., 1878	Ditto	75 0 0 to 30 Sept. 120 0 0 from 1 Oct.	22 April, 1875.
	William Powell	18 Mar., 1878	Ditto	150 0 0	1 Sept., 1875.
	Charles W. Likely	19 Aug., 1878	Ditto	150 0 0	1 Jan., 1874.
	David Thomas	8 Oct., 1878	Ditto	150 0 0	8 Oct., 1878.
	Richard S. Belford ²	1 June, 1878	Ditto	120 0 0	1 June, 1878.
	Christopher H. Fitzgerald	1 Aug., 1878	Ditto	120 0 0	1 June, 1876.
	John K. Smith.....	16 Dec., 1878	Ditto	120 0 0	16 Dec., 1878.
	Sydney Moffitt.....	5 Feb., 1878	Ditto	104 0 0	5 Feb., 1878.
	James T. Glover	1 Mar., 1878	Ditto	104 0 0	1 Mar., 1878.
	Frank S. Bowerman	1 Oct., 1878	Ditto	104 0 0	1 Oct., 1878.
	Henry P. Lublin	29 Oct., 1878	Ditto	104 0 0	29 Oct., 1878.
	George N. Hayward	29 Oct., 1878	Ditto	104 0 0	29 Oct., 1878.
	Michael J. Kenny ³	1 July, 1878	Ditto	75 0 0	1 July, 1878.
	William J. Donovan	1 Aug., 1878	Ditto	75 0 0	1 Aug., 1878.
	Walter Goodman.....	1 Sept., 1878	Ditto	75 0 0	1 Sept., 1878.
	Frank G. Wilson.....	1 Sept., 1878	Ditto	75 0 0	1 Sept., 1878.
	Alfred Morris	24 Sept., 1878	Ditto	52 0 0	24 Sept., 1878.
<i>Instrument Room—</i>					
Instrument Fitter	Gustave A. Kopsch ⁴	15 Mar., 1861	Ditto	350 0 0	15 Mar., 1861.
Assistant Instrument Fitter	James T. Morrison	1 Jan., 1878	Ditto	200 0 0	1 Jan., 1878.
Temporary Ditto.....	Carl Simmatt	2 Nov., 1875	Ditto	150 0 0	2 Nov., 1875.
	Samuel South	26 May, 1875	Ditto	150 0 0	26 May, 1875.
	John Pollard	1 June, 1875	Ditto	20/- per week to 31 May. 25/- per week from 1 June to 31 Oct. 36/- per week from 1 Nov.	1 June, 1875.
	Henry Frost	12 April, 1877	Postmaster General	10/- per diem to 31 May. 12/- per diem from 1 June.	12 April, 1877.
	Richard Street	1 Nov., 1878	Ditto	12/- per diem	1 Oct., 1875.*
	William Mandeville	1 July, 1878	Ditto	10/- per diem to 31 Aug. 12/- per diem from 1 Sept.	1 July, 1878.
	John Kessel ²	1 July, 1878	Ditto	10/- per diem	1 July, 1878.
	Frank White ⁵	17 July, 1878	Ditto	10/- per diem	17 July, 1878.
	Edward D. Thomson	1 Nov., 1878	Ditto	75 0 0	1 Nov., 1878.
	Sydney Smith	1 Nov., 1878	Ditto	75 0 0	1 Nov., 1878.
Batteryman (1).....	150 0 0
Assistant (1).....	1 10 0	per week.
Line Repairer.....	Robert Rutherford	8 June, 1868	Governor and Executive Council	230 0 0	8 June, 1868.
Assistant do.	Charles Biggs	1 Jan., 1874	Ditto	200 0 0	1 Jan., 1874.
Office-keeper (1).....	200 0 0
Storeman (1)	200 0 0
Assistant Storemen (2).....	150 0 0 1 7 0	per diem.
Stableman (1)	104 0 0
Assistant Stableman (1)	9/- per diem
Messengers' Overseer (1)	150 0 0
Messengers' Overseer (Night Duty) (1).....	150 0 0
Messengers (69).....	34 at 52 0 0 12 at 0 15 0 23 at 0 10 0	each. per week, each. " "

¹ To 31 July—appointed Station-master, Condobolin. ² To 30 November—resigned. ³ To 31 August—appointed Operator, Goulburn. ⁴ Absent on leave, from 11 May to 31 December. ⁵ To 31 July—resigned. * Services not continuous.

NEW SOUTH WALES—1878.

123

Office.	Name.	Date of Appointment.	By whom appointed, and under what Instrument.	Annual Salary.			Date of first Appointment under the Colonial Government.
				£	s.	d.	
POSTMASTER GENERAL—ELECTRIC TELEGRAPHS—continued.							
<i>Chief Telegraph Office—continued.</i>							
Inspectors of Telegraph Lines and Stations.	Alexander Tucker ¹	6 May, 1875	Governor and Executive Council	350	0	0	25 May, 1859.*
	George H. L. Carroll ¹	1 Jan., 1877	Ditto	300	0	0	1 Jan., 1877.
	James W. Merfield ¹	9 Mar., 1877	Ditto	300	0	0	9 Mar., 1877.
	Samuel J. Watson ¹	5 May, 1875	Ditto	250	0	0	30 Aug., 1858.
Inspector of Railway Telegraph Lines and Stations.							
<i>Suburban Offices.</i>							
Junior Operator, Ashfield...	Frances E. Skarrett.....	1 Jan., 1877	Governor and Executive Council	104	0	0	8 Mar., 1875.
Messenger (1).....				26	0	0	
Junior Operator, Balmain...	Mary J. Davies	1 Jan., 1877	Governor and Executive Council	104	0	0	8 Mar., 1875.
Messenger (1).....				26	0	0	
Junior Operator, Burwood..	Henry Matthews	1 Sept., 1874	Governor and Executive Council	52	0	0	1 Sept., 1874.
Messenger (1).....				26	0	0	
Junior Operator, Edgecliff..	Henrietta North	4 July, 1877	Governor and Executive Council	104	0	0	8 Mar., 1875.
Messenger (1).....				52	0	0	
Junior Operator, Glebe.....	Minnie L. Knott	15 Aug., 1877	Governor and Executive Council	75	0	0	16 Mar., 1875.
Messenger (1).....				39	0	0	
Junior Operator, Hunter's Hill.	Rachel Lilla Twentyman...	1 July, 1876	Governor and Executive Council	52	0	0	1 July, 1876.
Messenger (1).....				26	0	0	
Junior Operator, Haymarket	Mary Baileff.....	15 Mar., 1877	Governor and Executive Council	104	0	0	8 May, 1875.
Messenger (1).....				52	0	0	
Junior Operator, Homebush	William Arthur	1 Dec., 1877	Governor and Executive Council	52	0	0	1 Dec., 1877.
Messenger (1).....				26	0	0	
Junior Operator, King-street	Frederick J. Walker.....	11 Mar., 1878	Governor and Executive Council	52	0	0	11 Mar., 1878.
				to 30 June,			
				75	0	0	
				from 1 July.			
Junior Operators, LaPerouse	John Doutry ²	23 Nov., 1876	Ditto	150	0	0	1 Aug., 1875.
	succeeded by						
	Dugald M'Lean	1 Aug., 1876	Ditto	150	0	0	1 July, 1875.
	Christopher H. Fitzgerald ²	21 Aug., 1877	Ditto	104	0	0	1 June, 1876.
	succeeded by						
	Louis V. Miller	1 Aug., 1878	Ditto	120	0	0	1 Aug., 1878.
Junior Operators, Manly ...	Louise F. Stephen	9 May, 1876	Ditto	52	0	0	1 Mar., 1876.
	Rosa E. W. Gibbes ³	14 Sept., 1877	Ditto	50	0	0	14 Sept., 1877.
	succeeded by						
	Robert Farquharson	1 June, 1878	Ditto	52	0	0	1 June, 1878.
Messenger (1).....				0	12	0	per week.
Junior Operator, Miller's Point.	Minnie E. Husing	11 Mar., 1878	Governor and Executive Council	104	0	0	11 Mar., 1878.
Junior Operator, Newtown..	Melbourne S. Dargin	1 Jan., 1877	Ditto	104	0	0	1 Sept., 1874.
Messenger (1).....				52	0	0	
Junior Operator, Oxford-st.	Florence Eldershaw.....	1 Jan., 1877	Governor and Executive Council	104	0	0	8 Mar., 1875.
Messengers (2)				52	0	0	each.
Junior Operator, Paddington	Beatrice M. Rice	1 Sept., 1877	Governor and Executive Council	75	0	0	1 Sept., 1877.
Messenger (1).....				52	0	0	
Junior Operator, Park-street	Rosa E. W. Gibbes.....	1 June, 1878	Governor and Executive Council	75	0	0	14 Sept., 1877.
				to 31 Aug.			
				104	0	0	
				from 1 Sept.			
Junior Operator, Parramatta-street.	Samuel J. Phillips	1 Mar., 1877	Ditto	50	0	0	19 Aug., 1876.
				to 31 Jan.,			
				104	0	0	
				from 1 Feb.			
Messenger (1).....				52	0	0	
Junior Operator, Petersham	Julia Andrews	1 Feb., 1877	Governor and Executive Council	78	0	0	1 Feb., 1877.
Messenger (1).....				26	0	0	
Junior Operator, Randwick	Angelina Dargin	1 Feb., 1877	Governor and Executive Council	104	0	0	8 Mar., 1875.
Messenger (1).....				39	0	0	
Junior Operator, Ryde.....	Eva Pope	1 Feb., 1878	Governor and Executive Council	52	0	0	1 Feb., 1878.
Messenger (1).....				26	0	0	
Junior Operator, St. Leonards.	Herbert Hanson	1 Mar., 1877	Governor and Executive Council	52	0	0	1 Mar., 1877.
Messenger (1).....				40	0	0	
Junior Operator, Waterloo..	Elizabeth A. Douglas	1 Feb., 1877	Governor and Executive Council	104	0	0	10 June, 1875.
Messenger (1).....				52	0	0	
Junior Operator, Waverley	Lizzie Ferris.....	5 Sept., 1876	Governor and Executive Council	104	0	0	3 July, 1876.
Messenger (1).....				26	0	0	
Junior Operator, William-street.	Annie Halloran	4 July, 1877	Governor and Executive Council	104	0	0	10 May, 1875.
Messengers (2)				52	0	0	each.
<i>Branch Offices.</i>							
Junior Operator, Exchange	James Furley	20 Mar., 1875	Governor and Executive Council	104	0	0	20 Mar., 1875.
Junior Operator, Legislative Assembly.	Edward A. Redman ⁴	21 Aug., 1877	Ditto	75	0	0	1 June, 1877.

¹ Allowed 30s. per diem when travelling. appointed to Wagga Wagga.² To 31 July—removed to Head Office. * Services not continuous.³ To 31 May—appointed an Operator, Park-street.⁴ To 18 August—

Office.	Name.	Date of Appointment.	By whom appointed, and under what instrument.	Annual Salary.	Date of first Appointment under the Colonial Government.
				£ s. d.	
POSTMASTER GENERAL—ELECTRIC TELEGRAPHS—continued.					
<i>Country Districts.</i>					
Station-master, Adaminaby	James Waddell.....	7 Oct., 1876	Governor and Executive Council	104 0 0	7 Oct., 1876.
Station-master, Adelong	Alfred S. Bray	1 April, 1874	Ditto	104 0 0	1 April, 1873.
Station-master, Albury	Duncan J. M'Gauran	7 Mar., 1876	Ditto	300 0 0	7 Mar., 1876.
Operators, Albury	Charles W. Likely ¹	1 April, 1874	Ditto	150 0 0	1 Jan., 1874.
	succeeded by				
	James Edward Cooper	19 Aug., 1878	Ditto	150 0 0	1 Dec., 1875.
	John Smith	7 Mar., 1876	Ditto	150 0 0	1 Jan., 1875.
	William J. Holahan	22 Jan., 1875	Ditto	150 0 0	1 July, 1874.
	Henry J. Aubin ²	17 Mar., 1875	Ditto	150 0 0	17 Mar., 1875.
	succeeded by				
	Alfred E. Ambrose	19 Aug., 1878	Ditto	150 0 0	7 June, 1875.
Line Repairer, Albury	William J. M'Govern	10 July, 1877	Ditto	150 0 0	10 July, 1877.
Messengers (2)				52 0 0	each.
Station-master, Anvil Creek	James C. O'Hara ³	23 Feb., 1877	Governor and Executive Council	104 0 0	23 Feb., 1877.
	succeeded by				
	William Warren	1 Dec., 1878	Ditto	75 0 0	1 Dec., 1878.
Station-master, Araluen	Lot Mannix	1 Jan., 1877	Ditto	150 0 0	1 Sept., 1873.
Station-master, Armidale	Alfred G. Robins	1 Feb., 1873	Ditto	200 0 0	26 April, 1862.
Junior Operator, Armidale	John Cobley ⁴	7 July, 1876	Ditto	75 0 0	1 Aug., 1874.
	succeeded by				
	George B. Tate	1 Aug., 1878	Ditto	104 0 0	30 May, 1877.
Line Repairer, Armidale	Maurice Histon	10 Mar., 1875	Ditto	150 0 0	10 Mar., 1875.
Messenger, Armidale (1)				52 0 0	
Station-master, Ballina	Archibald Hunter	1 Jan., 1875	Governor and Executive Council	150 0 0	26 April, 1864.
Junior Operator, Ballina	William Mobbs	1 Aug., 1877	Ditto	75 0 0	1 Aug., 1877.
Station-master, Balranald	William H. Day	10 Mar., 1876	Ditto	180 0 0	1 July, 1875.
Junior Operator, Balranald	Arthur M. Kennedy	7 Aug., 1877	Ditto	75 0 0	7 Aug., 1877.
Station-master, Bathurst	Kenneth A. H. Mackenzie	2 Feb., 1876	Ditto	300 0 0	1 Sept., 1862.
Junior Operators, Bathurst	Henry J. Hazelden	1 April, 1875	Ditto	104 0 0	1 Jan., 1874.
	William Mulligan ⁵	1 Dec., 1875	Ditto	104 0 0	1 Dec., 1875.
	succeeded by				
	Samuel W. Lewis	1 Dec., 1878	Ditto	104 0 0	1 Dec., 1878.
	James Bennett ⁶	1 Nov., 1875	Ditto	104 0 0	1 Oct., 1874.
	succeeded by				
	Arthur S. Cooper	1 Aug., 1878	Ditto	120 0 0	6 June, 1876.
	Josiah Metcalf	1 Dec., 1877	Ditto	104 0 0	1 Dec., 1877.
Line Repairer, Bathurst	John Hayes	1 April, 1875	Ditto	120 0 0	1 April, 1875.
Messengers (3)				52 0 0	each.
				26 0 0	
Operator, Barrenjuey	Albert T. Black	1 Oct., 1869	Governor and Executive Council	104 0 0	25 April, 1867.
Station-master, Bega	Charles T. Harrison	1 Jan., 1873	Ditto	150 0 0	1 Jan., 1873.
Junior Operator, Bega	W. J. H. Hayes	1 July, 1878	Ditto	75 0 0	1 July, 1878.
Station-master, Bendemeer	Edward J. Parsons	5 July, 1876	Ditto	104 0 0	1 April, 1874.
Junior Operator, Berrima	Percy Rowe	16 Sept., 1875	Ditto	52 0 0	16 Sept., 1875.
Station-master, Bingera	Joseph B. Coleman ⁷	1 June, 1875	Ditto	150 0 0	1 June, 1875.
	succeeded by				
	Joseph B. Wakely	1 June, 1878	Ditto	150 0 0	22 Jan., 1873.
Messenger, Bingera (1)				26 0 0	
Junior Operator, Blacktown	John H. Fitzsimmons	1 Jan., 1876	Governor and Executive Council	13 0 0	1 Jan., 1876.
Junior Operator, Blue Mountains.	James E. Muir	1 Jan., 1875	Ditto	25 0 0	1 Jan., 1875.
Station-master, Bombala	Michael E. Burke	23 April, 1867	Ditto	180 0 0	23 Oct., 1862.
Junior Operator, Bombala	Thomas Ella ⁸	1 Dec., 1877	Ditto	104 0 0	1 Dec., 1877.
	succeeded by				
	James W. M'Cutecheon	20 Dec., 1878	Ditto	75 0 0	20 Dec., 1878.
Station-master, Boggabri	William J. Lawless	1 July, 1877	Ditto	104 0 0	1 July, 1877.
Station-master, Bourke	Thomas Trader	15 July, 1873	Ditto	300 0 0	1 Oct., 1865.
Junior Operator, Bourke	George W. Self	1 Jan., 1877	Ditto	104 0 0	1 Jan., 1877.
				to 28 Feb.	
				150 0 0	
				from 1 March.	
Line Repairer, Bourke	Oscar Hughan	1 Jan., 1877	Ditto	120 0 0	1 Jan., 1877.
Station-master, Braidwood	Charles N. Ambrose	1 July, 1874	Ditto	180 0 0	4 Dec., 1860.
Junior Operators, Braidwood.	James Johnston	1 Jan., 1878	Ditto	75 0 0	1 Jan., 1878.
				to 30 June.	
				104 0 0	
				from 1 July.	
	Oliver W. Hinde ⁹	1 Dec., 1877	Ditto	52 0 0	26 July, 1877.
	succeeded by				
	Edwin J. Powden	26 July, 1878	Ditto	104 0 0	5 Mar., 1877.

¹ To 18 August—transferred to Head Office. ² To 18 August—appointed Station-master, Germanton. ³ To 30 November—appointed Junior Operator, Narrabri. ⁴ To 31 July—appointed Station-master, Deepwater. ⁵ To 30 November—appointed Station-master, Nelligen. ⁶ To 31 July—resigned. ⁷ To 31 May—exchanged appointments with Operator, Newcastle. ⁸ To 19 December—appointed Station-master, Bateman's Bay. ⁹ To 25 July—appointed Station-master, Candelo.

NOTE.—The allowances to the above officers will be found stated in a foot-note at the end of the return.

NEW SOUTH WALES—1878.

125

Office.	Name.	Date of Appointment.	By whom appointed, and under what Instrument.	Annual Salary. £ s. d.	Date of first Appointment under the Colonial Government.
POSTMASTER GENERAL—ELECTRIC TELEGRAPHS—continued.					
<i>Country Districts—continued.</i>					
Operator, Branxton	James A. Tulloch	1 Jan., 1877	Governor and Executive Council	50 0 0	1 Jan., 1877.
Station-master, Brewarrina	Charles J. Robins	1 Nov., 1874	Ditto	150 0 0	1 Nov., 1874.
Junior Operator, Brewarrina	George Gunning	1 Dec., 1877	Ditto	75 0 0	1 Dec., 1877.
				to 30 April. 104 0 0	
				from 1 May.	
Station-master, Bundarra...	William H. Rowlands.....	1 April, 1875	Ditto	150 0 0	1 April, 1875.
Station-master, Bodalla.....	Joseph Cox	15 Feb., 1877	Ditto	104 0 0	1 Feb., 1873.
Station-master, Bateman's Bay.	Charles E. Stoyles ¹	10 July, 1876	Ditto	75 0 0	10 July, 1876.
	succeeded by			to 31 January. 104 0 0	
	Henry Channon ²	1 Dec., 1878	Ditto	from 1 February. 104 0 0	4 Aug., 1876.
	succeeded by				
	Thomas H. Ella	20 Dec., 1878	Ditto	104 0 0	1 Dec., 1877.
Station-master, Baradine ...	Henry R. Thurlow	6 May, 1876	Ditto	150 0 0	1 Sept., 1873.
Station-master, Blayney ...	Henry C. Whittaker	10 Aug., 1876	Ditto	104 0 0	10 Aug., 1876.
Messenger (1)				26 0 0	
Station-master, Burrowa ...	Daniel R. Kenane	1 Dec., 1874	Governor and Executive Council	150 0 0	1 Feb., 1873.
Messenger (1)				13 0 0	
Station-master, Bullah Delah	Ernest V. Blackwell	16 Mar., 1877	Governor and Executive Council	104 0 0	16 Mar., 1877.
Station-master, Broughton Creek.	George Brown	21 June, 1877	Ditto	104 0 0	21 June, 1877.
Messenger (1)				26 0 0	
Operator, Bulli	James A. Brooker ³	1 Jan., 1878	Ditto	52 0 0	1 Jan., 1878.
	succeeded by				
	James J. M'Guickan	1 June, 1878	Ditto	52 0 0	1 June, 1878.
Station-master, Barringun...	Duncan A. Murchison	25 Mar., 1878	Ditto	180 0 0	1 Jan., 1877.
Station-master, Bungendore	Arthur D. Fowler	10 June, 1878	Ditto	104 0 0	10 June, 1878.
Messenger (1)				26 0 0	
Station-master, Brushgrove	William J. L. Kyle	11 June, 1878	Ditto	104 0 0	11 June, 1878.
Station-master, Booligal ...	Hyam J. Phillips	12 June, 1878	Ditto	180 0 0	12 June, 1878.
Station-master, Barraba ...	William Harris ⁴	10 Sept., 1878	Ditto	150 0 0	1 May, 1875.
	succeeded by				
	John Banfield	24 Nov., 1878	Ditto	120 0 0	1 May, 1875.
Station-master, Campbelltown..	Francis Mackel	1 Oct., 1875	Ditto	150 0 0	1 Oct., 1860.
Junior Operator, Campbelltown.	William Etheridge	10 July, 1878	Ditto	104 0 0	1 Feb., 1877.
Messenger (1)				52 0 0	
Station-master, Camden ...	John J. Moroney	1 Dec., 1877	Governor and Executive Council	120 0 0	2 Mar., 1876.
Station-master, Candelo ...	George E. Draper ⁵	17 May, 1877	Ditto	104 0 0	1 Nov., 1876.
	succeeded by				
	Oliver W. Hinde	26 July, 1878	Ditto	104 0 0	26 July, 1877.
Station-master, Carcoar.....	George U. Hosking	1 May, 1871	Ditto	150 0 0	1 Sept., 1863.
Junior Operator, Carcoar...	Edward J. Woods	1 Sept., 1878	Ditto	52 0 0	1 Sept., 1878.
Station-master, Casino	Wm. M. Scott	1 Mar., 1871	Ditto	175 0 0	1 June, 1865.
Station-master, Cassilis.....	William T. Lee	1 Aug., 1872	Ditto	180 0 0	1 Feb., 1860.
Messenger (1)				26 0 0	
Station-master, Central Kempsey.	George H. Chapman	1 Sept., 1878	Governor and Executive Council	104 0 0	15 Mar., 1878.
Station-master, Clarence Town.	Joseph T. Foley	1 Sept., 1877	Ditto	120 0 0	10 Mar., 1875.
Messenger (1)				13 0 0	
Operator, Clarence River Heads.	Emma H. Pegus	1 Jan., 1874	Governor and Executive Council	104 0 0	1 Jan., 1874.
Station-master, Cobargo ...	Stanton C. Crouch	13 July, 1877	Ditto	104 0 0	1 Dec., 1875.
Station-master, Condobolin	William F. Corbett.....	1 Aug., 1878	Ditto	180 0 0	1 June, 1874.
Messenger (1)				52 0 0	
Station-master, Coolah	Thomas King	1 April, 1875	Governor and Executive Council	120 0 0	1 Sept., 1874.
Station-master, Cooma	John Kirwan	1 Dec., 1869	Ditto	180 0 0	1 Sept., 1861.
Line Repairer, Cooma	James Carroll	20 Mar., 1878	Ditto	120 0 0	20 Mar., 1878.
Junior Operator, Cooma ...	Richard Myles Stapylton	17 May, 1877	Ditto	104 0 0	16 Sept., 1875.
Station-master, Coonabarabran.	Thomas H. Ryan	1 Sept., 1877	Ditto	150 0 0	1 Mar., 1871.
Messenger, Conabarabran (1)				52 0 0	
Station-master, Coonamble..	Frederick J. Fowler ⁶	1 Sept., 1877	Governor and Executive Council	180 0 0	28 Feb., 1870.
	succeeded by				
	Luke Kingsmill	10 July, 1878	Ditto	180 0 0	29 Jan., 1876.
Junior Operator, Coonamble	James S. Page	1 Nov., 1878	Ditto	26 0 0	1 Nov., 1878.
Messenger (1)				26 0 0	
Station-master, Cooranbong	George P. Webb	1 Sept., 1878	Governor and Executive Council	104 0 0	1 Sept., 1878.
Messenger (1)				26 0 0	
Station-master, Cootamundra.	Richard C. Willans	1 April, 1875	Governor and Executive Council	150 0 0	18 Feb., 1871.
Junior Operator, Cootamundra.	Walter G. Denshire.....	1 Jan., 1877	Ditto	52 0 0	1 Jan., 1877.
Messenger (1)				26 0 0	
Station-master, Corowa.....	Frank Russell	14 Dec., 1874	Governor and Executive Council	150 0 0	1 Feb., 1873.

¹ To 30 November—appointed to Kiandra. ² To 19 December—resigned. ³ To 31 May—appointed to Parramatta. ⁴ To 23 November—appointed to Waratah. ⁵ To 25 July—dismissed. ⁶ To 9 July—appointed to Cowra.

NOTE.—The allowances to the above officers will be found stated in a foot-note at the end of the return.

Office.	Name.	Date of Appointment.	By whom appointed, and under what instrument.	Annual Salary.			Date of first Appointment under the Colonial Government.
				£	s.	d.	
POSTMASTER GENERAL—ELECTRIC TELEGRAPHS—continued.							
<i>Country Districts—continued.</i>							
Station-master, Cowra	John W. Clinch ¹	1 April, 1874	Governor and Executive Council	150	0	0	1 June, 1870.
	succeeded by						
	Frederick G. Fowler	10 July, 1878	Ditto	180	0	0	28 Feb., 1870.
Junior Operator, Cowra	Richard M. Reid ²	1 Dec., 1877	Ditto	104	0	0	1 Jan., 1877.
	succeeded by						
	Richard Finney	10 July, 1878	Ditto	104	0	0	1 Dec., 1875.
Messenger (1)				26	0	0	
Station-master, Cundletown	Alfred J. Hoskisson	20 Sept., 1878	Governor and Executive Council	104	0	0	20 Sept., 1878.
Station-master, Deniliquin	Robert Buckley	1 Nov., 1875	Ditto	300	0	0	1 Mar., 1862.
Junior Operators, Deniliquin	Thomas O'Connor	1 Sept., 1877	Ditto	150	0	0	1 Sept., 1877.
	Mary Buckley	1 Dec., 1875	Ditto	52	0	0	1 Dec., 1875.
				75	0	0	
				to 31 Aug.			
				from 1 Sept.			
Line Repairer, Deniliquin	Peter A. Dunne	1 Sept., 1877	Ditto	150	0	0	1 Jan., 1875.
Messengers (2)				26	0	0	each.
Operator, Denman	George A. F. Kibble	5 Oct., 1868	Governor and Executive Council	104	0	0	5 Oct., 1868.
Station-master, Deepwater	George B. Tate ³	30 May, 1877	Ditto	104	0	0	30 May, 1877.
	succeeded by						
	John Cobley	1 Aug., 1878	Ditto	104	0	0	1 Mar., 1874.
Station-master, Dubbo	William T. Raper	24 Jan., 1876	Ditto	135	0	0	1 Sept., 1871.
Junior Operator, Dubbo	Edward Young	1 Oct., 1877	Ditto	104	0	0	1 Oct., 1877.
Messenger, Dubbo (1)				26	0	0	
Station-master, Dungog	Charles Fry ⁴	6 July, 1876	Governor and Executive Council	150	0	0	24 Oct., 1874.
	succeeded by						
	George H. Martin	1 Aug., 1878	Ditto	150	0	0	15 Feb., 1875.
Line Repairer, Dungog	John Sheridan	1 June, 1875	Ditto	120	0	0	1 June, 1875.
Station-master, Eden	Charles Kebby	1 June, 1868	Ditto	180	0	0	19 Sept., 1864.
Messenger, Eden (1)				52	0	0	
Station-master, Euston	Robert S. Johnson	16 Feb., 1876	Governor and Executive Council	180	0	0	1 June, 1871.
Junior Operator, Euston	George W. Myers	7 Aug., 1877	Ditto	75	0	0	7 Aug., 1877.
Station-master, Forbes	Edward Chapman	1 Feb., 1873	Ditto	180	0	0	1 Dec., 1870.
Line Repairer, Forbes	William H. Lewis ⁵	1 Aug., 1875	Ditto	120	0	0	1 Aug., 1875.
	succeeded by						
	George Lobsey	25 Mar., 1878	Ditto	120	0	0	25 Mar., 1878.
Messenger, Forbes (1)				52	0	0	
Station-master, Fordwich	Joseph Miner	20 July, 1877	Governor and Executive Council	104	0	0	20 July, 1877.
Station-master, Fernmount	Henry Litchfield	6 Nov., 1877	Ditto	120	0	0	6 Nov., 1877.
Station-master, Frederickton	Francis Scott	1 Sept., 1878	Ditto	104	0	0	1 Oct., 1877.
Junior Operator, Gabo Island	Richard Musgrave	1 Dec., 1874	Ditto	52	0	0	1 May, 1874.
Station-master, Glen Innes	William J. Chandler	7 Mar., 1877	Ditto	180	0	0	1 Sept., 1872.
Junior Operators, Glen Innes	Frederick Waddups	30 May, 1877	Ditto	104	0	0	1 Jan., 1877.
	Henry A. Lott ⁶	7 July, 1876	Ditto	104	0	0	18 Jan., 1875.
	succeeded by						
	Luke Kingsmill ⁷	13 Mar., 1878	Ditto	104	0	0	29 Jan., 1876.
	succeeded by						
	Patrick J. Doran	10 July, 1878	Ditto	104	0	0	1 Jan., 1875.
Line Repairer, Glen Innes	Michael Prout	1 Jan., 1877	Ditto	120	0	0	1 Jan., 1877.
Messenger, Glen Innes (1)				52	0	0	
Station-master, Goulburn	James Curry ⁸	11 July, 1877	Governor and Executive Council	250	0	0	18 Nov., 1861.
	succeeded by						
	Cecil A. Middleton	20 Aug., 1878	Ditto	200	0	0	24 July, 1861.
Junior Operators, Goulburn	Arthur S. Cooper ⁹	18 Aug., 1877	Ditto	104	0	0	6 June, 1876.
	succeeded by						
	Daniel Innes ¹⁰	1 Aug., 1878	Ditto	104	0	0	1 Aug., 1878.
	succeeded by						
	Michael J. Kenny	1 Sept., 1878	Ditto	104	0	0	1 July, 1878.
	Alfred E. Ambrose ¹¹	4 Aug., 1876	Ditto	104	0	0	7 June, 1875.
	succeeded by						
	Charles T. Morris	19 Aug., 1878	Ditto	104	0	0	19 Aug., 1878.
Line Repairer, Goulburn	John Dwyer	14 Nov., 1872	Ditto	120	0	0	14 Nov., 1872.
Messengers (2)				26	0	0	each.
Station-master, Grafton	Thomas Quirk	1 April, 1873	Governor and Executive Council	200	0	0	18 July, 1868.
Line Repairer, Grafton	George Williams	1 July, 1877	Ditto	150	0	0	1 July, 1877.
Junior Operators, Grafton	William Powell ¹²	1 Aug., 1877	Ditto	150	0	0	1 Sept., 1875.
	succeeded by						
	Charles C. Ross	18 Mar., 1878	Ditto	150	0	0	18 Mar., 1878.
	James M'Grath	1 July, 1877	Ditto	104	0	0	1 June, 1875.
	James Pearce Carter	16 June, 1877	Ditto	104	0	0	16 June, 1877.
	John Goldrick ¹³	7 Sept., 1877	Ditto	104	0	0	7 Sept., 1877.
	succeeded by						
	Frederick Burgess	1 Dec., 1878	Ditto	104	0	0	1 Aug., 1875.
Messengers, Grafton (2)				52	0	0	
				26	0	0	
Station-master, Grenfell	John P. Olson	1 Mar., 1871	Governor and Executive Council	200	0	0	16 July, 1863.
Messenger, Grenfell (1)				26	0	0	

¹ To 9 July—appointed to Urana. ² To 9 July—appointed to Muswellbrook. ³ To 31 July—appointed Junior Operator, Armidale. ⁴ To 31 July—appointed to Sydney. ⁵ To 24 March—resigned. ⁶ To 12 March—appointed Station-master, Tabulam. ⁷ To 9 July—appointed Station-master, Coonamble. ⁸ To 19 August—appointed to Wagga Wagga. ⁹ To 31 July—appointed to Bathurst. ¹⁰ To 31 August—appointed Station-master, Nimitybelle. ¹¹ To 18 August—appointed to Albury. ¹² To 17 March—appointed to Sydney. ¹³ To 30 November—appointed to Tamworth.

NOTE.—The allowances to the above officers will be found stated in a foot-note at the end of the return.

NEW SOUTH WALES—1878.

127

Office.	Name.	Date of Appointment.	By whom appointed, and under what Instrument.	Annual Salary.			Date of first Appointment under the Colonial Government.
				£	s.	d.	
POSTMASTER GENERAL—ELECTRIC TELEGRAPHS—continued.							
<i>Country Districts—continued.</i>							
Station-master, Gulgong	George A. Reid	1 Oct., 1874	Governor and Executive Council	200	0	0	20 Mar., 1872.
Messenger, Gulgong (1)				39	0	0	
Station-master, Gundagai	Colville Smith	1 Sept., 1860	Governor and Executive Council	200	0	0	6 Nov., 1858.
Junior Operator, Gundagai	Patrick Dowling	1 Oct., 1877	Ditto	104	0	0	1 Oct., 1877.
Line Repairer, Gundagai	Michael Canty	1 Oct., 1877	Ditto	120	0	0	1 Sept., 1872.
Station-master, Gunnedah	Thomas G. Croft	8 May, 1876	Ditto	180	0	0	27 April, 1861.
Messenger, Gunnedah (1)				52	0	0	
Station-master, Gunning	Thomas Phelan ¹	1 Sept., 1877	Governor and Executive Council	120	0	0	17 July, 1875.
	succeeded by						
	Robert Dixon	1 Nov., 1878	Ditto	104	0	0	1 Nov., 1878.
Station-master, Gloucester	Joseph Bridekirk	1 Sept., 1877	Ditto	104	0	0	1 Sept., 1877.
Station-master, Gadooga	John Bennett	27 Nov., 1877	Ditto	180	0	0	27 Nov., 1877.
Station-master, Gosford	John F. Parr	1 Aug., 1878	Ditto	120	0	0	1 Aug., 1878.
Messenger, Gosford (1)				26	0	0	
Station-master, Hay	Alexander Burnett	25 April, 1876	Governor and Executive Council	180	0	0	4 April, 1862.
Junior Operator, Hay	Aubrey H. Murray ²	13 May, 1876	Ditto	104	0	0	13 May, 1876.
	succeeded by						
	Terence A. Murray	1 July, 1878	Ditto	104	0	0	1 July, 1878.
Messenger, Hay (1)				52	0	0	
Station-master, Hill End	Charles Chapple	1 Oct., 1877	Governor and Executive Council	150	0	0	1 Mar., 1872.
Junior Operator, Hill End	Walter Redriff	1 Nov., 1878	Ditto	75	0	0	1 Nov., 1878.
Station-master, Howlong	Edward Walsh	1 July, 1878	Ditto	104	0	0	1 July, 1878.
Station-master, Inverell	John Eames	18 July, 1868	Ditto	200	0	0	1 June, 1867.
Junior Operator, Inverell	Kenneth Mitchell	14 June, 1878	Ditto	104	0	0	14 June, 1878.
Messengers, Inverell (2)				52	0	0	
				26	0	0	
Station-master, Jerilderie	Henry Jefferson	1 Dec., 1874	Governor and Executive Council	150	0	0	1 Dec., 1874.
Messenger, Jerilderie (1)				26	0	0	
Station-master, Jervis Bay	Henry Gibson	1 Oct., 1873	Governor and Executive Council	26	0	0	1 Oct., 1873.
Station-master, Jerry's Plns.	Patrick J. Howe	19 Sept., 1877	Ditto	104	0	0	1 Dec., 1875.
Station-master, Kiama	John F. Tyter	19 Oct., 1867	Ditto	150	0	0	19 Oct., 1867.
Line Repairer, Kiama	John M'Grane	21 Aug., 1875	Ditto	120	0	0	21 Aug., 1875.
Station-master, Kiandra	Henry Channon ³	4 Aug., 1876	Ditto	104	0	0	4 Aug., 1876.
	succeeded by						
	Charles E. Stoyles	1 Dec., 1878	Ditto	104	0	0	10 July, 1876.
Station-master, Kyamba	Robert J. Barr	15 Feb., 1877	Ditto	120	0	0	30 July, 1876.
Station-master, Kynnumboon	William J. Grime	6 April, 1877	Ditto	104	0	0	6 April, 1877.
Station-master, Lawrence	Thomas E. Avery	1 Jan., 1878	Ditto	104	0	0	1 Jan., 1878.
Junior Operator, Lambton	John Harris	6 April, 1877	Ditto	75	0	0	6 April, 1877.
Messenger, Lambton (1)				26	0	0	
Station-master, Lismore	Neil Sharpe	6 April, 1877	Governor and Executive Council	120	0	0	1 Nov., 1875.
Station-master, Lithgow	Charles N. Cowan	19 Sept., 1877	Ditto	104	0	0	4 April, 1876.
Messenger (1)				39	0	0	
Station-master, Louth	Alfred D. Turner	15 April, 1878	Governor and Executive Council	180	0	0	1 April, 1874.
Operator, Lucknow	Henry W. Newman	1 Jan., 1878	Ditto	26	0	0	1 Jan., 1878.
Station-master East Maitland	Alfred C. Atkinson	31 May, 1877	Ditto	104	0	0	31 May, 1877.
Messenger, ditto (1)				26	0	0	
Station-master, West Maitland	Charles H. Caspersonn	1 June, 1875	Governor and Executive Council	250	0	0	10 Nov., 1866.
Operators, West Maitland	Alfred W. Kelly	6 June, 1876	Ditto	150	0	0	6 June, 1876.
	George Brighton	1 April, 1877	Ditto	104	0	0	1 April, 1877.
	John Richmond Stevenson	30 April, 1877	Ditto	75	0	0	30 April, 1877.
				To 31 Oct.,			
				104	0	0	
				From 1 Nov.			
Junr. Operator, W. Maitland	Frederick W. Smith	1 Oct., 1877	Ditto	52	0	0	1 Oct., 1877.
Messengers (3)				52	0	0	each.
				26	0	0	
Operator, Macleay River Heads.	Francis Scott ⁴	1 Oct., 1877	Governor and Executive Council	52	0	0	1 Oct., 1877.
	succeeded by						
	Alfred W. Williams	1 Sept., 1878	Ditto	52	0	0	1 Sept., 1878.
Operator, Merimbula	John B. Garrard	11 Feb., 1877	Ditto	26	0	0	11 Feb., 1877.
Station-master, Manilla	George J. Dennis	1 Sept., 1875	Ditto	63	10	0	1 Sept., 1875.
Messenger, Manilla (1)	Richard E. Done	1 Aug., 1878	Ditto	120	0	0	1 Jan., 1877.
				26	0	0	
Station-master, Milton	Edward T. Mulligan	27 April, 1875	Governor and Executive Council	150	0	0	16 Feb., 1870.
Station-master, Michelago	Robert Thomson	1 Feb., 1878	Ditto	104	0	0	1 Feb., 1878.
Station-master, Merriwa	William Read	1 Feb., 1869	Ditto	150	0	0	1 Oct., 1861.
Messenger, Merriwa (1)				26	0	0	
Station-master, Moama	Charles Hammond	1 Jan., 1878	Governor and Executive Council	180	0	0	27 April, 1862.
Messenger (1)				26	0	0	
Station-master, Morpeth	Charles F. Wakely	1 Mar., 1872	Governor and Executive Council	104	0	0	1 June, 1870.
Station-master, Moruya	John Walter	1 Jan., 1874	Ditto	104	0	0	1 Jan., 1874.
Messenger, Moruya (1)				26	0	0	
Operator, Moruya Heads	Richard M. Tranent	1 Jan., 1876	Governor and Executive Council	26	0	0	1 Jan., 1876.
Operator, Manning Heads	Eiizabeth A. Muir	30 Aug., 1876	Ditto	26	0	0	30 Aug., 1876.
Station-master, Moulamein	Robert Graham	1 Jan., 1878	Ditto	104	0	0	1 Oct., 1874.
Station-master, Mount Victoria.	Charles W. Prott	1 Oct., 1875	Ditto	180	0	0	1 Oct., 1875.
Messenger, Mt. Victoria (1)				26	0	0	
Station-master, Mudgee	Henry Curry	24 April, 1876	Governor and Executive Council	200	0	0	1 May, 1872.

¹ To 31 October—deceased.² To 30 June—appointed to Wentworth.³ To 30 November—appointed to Bateman's Bay.⁴ To 31 August—appointed

NOTE.—The allowances to the above officers will be found stated in a foot-note at the end of the return.

Office.	Name.	Date of Appointment.	By whom appointed, and under what Instrument.	Annual Salary.			Date of first Appointment under the Colonial Government.
				£	s.	d.	
POSTMASTER GENERAL—ELECTRIC TELEGRAPHS—continued.							
<i>Country Districts—continued.</i>							
Operators, Mudgee	Marcus Lynch	1 Dec., 1875	Governor and Executive Council	104	0	0	1 Dec., 1875.
	Edward J. Bryant	25 Mar., 1878	Ditto	104	0	0	25 Mar., 1878.
Line Repairer, Mudgee.....	William Henshawe Ore	27 Feb., 1877	Ditto	120	0	0	27 Feb., 1877.
Messenger (1)				52	0	0	
Station-master, Murrurundi	Francis O. Byrnes	23 Feb., 1877	Governor and Executive Council	180	0	0	28 Oct., 1862.
Junior Operator, Murrurundi.	F. Barnett.....	1 Jan., 1878	Ditto	104	0	0	1 Dec., 1875.
Line Repairer, Murrurundi.	John M'Carthy	1 Jan., 1876	Ditto	120	0	0	1 Jan., 1876.
Messenger (1)				26	0	0	
Station-master, Muswellbrook.	Alexander Taylor.....	23 Feb., 1877	Governor and Executive Council	150	0	0	1 Jan., 1875.
Junior Operator, Muswellbrook.	Patrick J. Doran ¹	1 Jan., 1875	Ditto	78	0	0	1 Jan., 1875.
	succeeded by						
	R. M. Reid	10 July, 1878	Ditto	104	0	0	1 Jan., 1877.
Station-master, Molong ...	John P. Gallagher	2 Mar., 1876	Ditto	150	0	0	21 Aug., 1871.
Messenger, Molong (1)				26	0	0	
Station-master, Murrumburrah.	Harold F. Norrie.....	6 June, 1876	Governor and Executive Council	150	0	0	6 June, 1876.
Station-master, Moree	John Munro.....	8 Dec., 1877	Ditto	150	0	0	8 Dec., 1877.
Station-master, Morangarell	David J. Elliott	1 Dec., 1877	Ditto	150	0	0	1 Dec., 1877.
Station-master, Menindie...	Augustus E. E. Knight ²	27 Nov., 1877	Ditto	180	0	0	27 Nov., 1877.
Station-master, Molonglo...	Hugh Malone	1 Oct., 1877	Ditto	104	0	0	1 Oct., 1877.
Station-master, Millie	Edward J. Coleman.....	1 Nov., 1877	Ditto	104	0	0	1 Sept., 1877.
Station-master, Narrabri ...	Thomas Channon.....	1 Oct., 1877	Ditto	180	0	0	1 Sept., 1873.
Junior Operator, Narrabri...	Frederick Burgess ³	1 Nov., 1877	Ditto	104	0	0	1 Aug., 1875.
	succeeded by						
	James C. O'Hara	1 Dec., 1878	Ditto	120	0	0	23 Feb., 1877.
Station-Master, Nelligen ...	William Mulligan	1 Dec., 1878	Ditto	104	0	0	1 Dec., 1875.
Station-master, Newcastle...	Donald Graham	1 Feb., 1873	Ditto	200	0	0	14 April, 1864.
Operators, Newcastle.....	Joseph Wakely ⁴	7 Mar., 1876	Ditto	150	0	0	22 Jan., 1873.
	succeeded by						
	Joseph B. Coleman	1 June, 1878	Ditto	150	0	0	1 June, 1875.
	Frederick W. Cane	1 July, 1878	Ditto	150	0	0	1 July, 1878.
	William Etheridge ⁵	1 Feb., 1877	Ditto	104	0	0	1 Feb., 1877.
	succeeded by						
	Robert Byron	10 July, 1878	Ditto	104	0	0	10 July, 1878.
				to 30 Sept.			
				120	0	0	
				from 1 Oct.			
	Richard Finney ⁶	1 Dec., 1875	Ditto	104	0	0	1 Dec., 1875.
	succeeded by						
	Charles Bousfield.....	10 July, 1878	Ditto	104	0	0	10 July, 1878.
	Joseph Canovan	9 Sept., 1876	Ditto	104	0	0	7 June, 1876.
	William Harris ⁷	6 April, 1877	Ditto	104	0	0	1 May, 1875.
Instrument Fitter, Newcastle	Augusta Gross	1 Jan., 1872	Ditto	200	0	0	1 Jan., 1872.
Messengers (4)				{ 2 at	52	0	each.
				{ 2 at	26	0	
Station-master, Nimitybelle	William Graham ⁸	1 Feb., 1872	Governor and Executive Council	104	0	0	1 Feb., 1872.
	succeeded by			to 30 June.			
				150	0	0	
				from 1 July.			
Station-master, Narrandera.	Daniel Innes	1 Sept., 1878	Ditto	104	0	0	1 Aug., 1878.
Station-master, Newton Boyd.	Charles Chapman.....	6 June, 1876	Ditto	120	0	0	1 May, 1875.
Station-master and Line Repairer, Nulla Nulla.	James A. Gordon.....	23 July, 1877	Ditto	120	0	0	23 July, 1877.
Station-master and Line Repairer, Nulla Nulla.	James C. Toose.....	12 June, 1878	Ditto	150	0	0	1 July, 1875.
Station-master, Nambuccera	Edward Leeson	5 Nov., 1877	Ditto	120	0	0	5 Nov., 1877.
Station-master, Orange	Charles Cooper.....	1 Oct., 1862	Ditto	180	0	0	1 Oct., 1862.
Junior Operators, Orange	Lewis S. Mackay	1 Dec., 1875	Ditto	104	0	0	1 Dec., 1875.
	Charles Paul	14 June, 1876	Ditto	104	0	0	14 June, 1876.
	Robert Cooper	1 Feb., 1878	Ditto	75	0	0	1 Feb., 1878.
Messengers, Orange (2) ...				{ 1 at	52	0	
				{ 1 at	26	0	
Station-master, Palmer's Island.	John S. White	1 Aug., 1877	Governor and Executive Council	100	0	0	1 Aug., 1877.
Station-master, Parkes	Walter A. Lorking	15 Feb., 1875	Ditto	150	0	0	1 Oct., 1874.
Junior Operator, Parkes ...	John Parke	1 May, 1877	Ditto	52	0	0	1 Dec., 1875.
				to 30 June.			
				75	0	0	
				from 1 July.			
Messenger (1).....				26	0	0	
Operators, Parramatta	William G. Drew ⁹	1 June, 1877	Governor and Executive Council	120	0	0	24 June, 1876.
	succeeded by						
	James A. Brooker	1 June, 1878	Ditto	120	0	0	1 May, 1878.
	Christina Dee	18 Mar., 1878	Ditto	52	0	0	18 Mar., 1878.
Messengers, Parramatta (2)				{ 1 at	39	0	
				{ 1 at	26	0	
Station-master, Paterson ...	Ebenezer Doust	7 Mar., 1876	Governor and Executive Council	150	0	0	7 Mar., 1876.
Messenger (1).....				13	0	0	

¹ To 9 July—appointed to Glen Innes. ² To 30 November—under suspension—E. Young acting from 1 December. ³ To 30 November—appointed to Grafton. ⁴ To 31 May—appointed Station-master, Bingera. ⁵ To 9 July—appointed to Campbelltown. ⁶ To 9 July—appointed to Cowra. ⁷ To 9 September—appointed Station-master, Barraba. ⁸ To 31 August—appointed at Vegetable Creek. ⁹ To 30 May—appointed Station-master, Warren.

NOTE.—The allowances to the above officers will be found stated in a foot-note at the end of the return.

Office.	Name.	Date of Appointment.	By whom appointed, and under what Instrument.	Annual Salary. £ s. d.	Date of first Appointment under the Colonial Government.
POSTMASTER GENERAL—ELECTRIC TELEGRAPHS—continued.					
<i>COUNTRY DISTRICTS—continued.</i>					
Station-master, Pilliga	John E. Phelan	1 Sept., 1873	Governor and Executive Council	150 0 0	1 Sept., 1872.
Line Repairer, Pilliga	Edward M'Carthy	1 Jan., 1877	Ditto	120 0 0	1 Aug., 1875.
Station-master, Pooncarria... ..	Walter G. Mason	1 Oct., 1877	Ditto	180 0 0	9 Nov., 1873.
Station-master, Port Macquarie.	John R. Cummins	1 Aug., 1870	Ditto	200 0 0	14 Dec., 1866.
Line Repairer, Port Macquarie.	James C. Toose ¹	1 July, 1875	Ditto	120 0 0	1 July, 1875.
Operator, Port Macquarie Heads.	Edward St. A. Kingsford	21 April, 1876	Ditto	26 0 0	26 June, 1858.
Station-master, Quirindi ...	Thomas Dickson	9 Aug., 1877	Ditto	150 0 0	19 June, 1876.
Messenger (1)	26 0 0
Station-master, Queanbeyan	Michael H. Kelly	20 Aug., 1876	Ditto	100 0 0	8 May, 1858.
Junior Operators, Queanbeyan.	A. Morton	1 June, 1878	Ditto	52 0 0	1 June, 1878.
Station-master, Raymond Terrace.	Patrick M'Grane	1 Aug., 1878	Ditto	52 0 0	1 Aug., 1878.
Messenger, Raymond Terrace (1)	William E. Shaw	16 April, 1868	Ditto	104 0 0	16 April, 1868.
Station-master, Richmond...	26 0 0
Station-master, Robertson...	Gerald Plunkett	1 Sept., 1875	Governor and Executive Council	104 0 0	1 Sept., 1875.
Station-master, Rocky Mouth.	James T. Knox	1 Dec., 1878	Ditto	104 0 0	1 Dec., 1878.
Messenger, Rocky Mouth (1)	Theodore Lamy	1 June, 1877	Ditto	104 0 0	1 June, 1877.
Station-master, Rylstone	26 0 0
Station-master, Scone	Henry J. Williams ²	1 Mar., 1875	Ditto	104 0 0	1 Mar., 1875.
Station-master, Singleton...	succeeded by James T. Hackett	12 Feb., 1878	Ditto	104 0 0	12 Feb., 1878.
Junior Operator, Singleton	Thomas Harris	1 Jan., 1874	Ditto	104 0 0	1 Jan., 1874.
Messenger, Singleton (1) ...	Joseph Kelf	6 Sept., 1876	Ditto	100 0 0	20 Sept., 1868.
Station-master, Smithtown	Thomas M'Mullen	26 Sept., 1876	Ditto	52 0 0	26 Sept., 1876.
Station-master, Sofala	75 0 0
Operator, South Creek	from 1 June.
Operator, Shoalhaven Heads	Ronald Seton	1 Jan., 1878	Ditto	26 0 0
Station-master, South Grafton.	William Newbery	23 April, 1875	Governor and Executive Council	120 0 0	1 Jan., 1878.
Messenger, South Grafton (1).	Ellen A. H. Cross	1 Dec., 1875	Ditto	104 0 0	23 April, 1875.
Station-master, Stroud	John Craig	1 Jan., 1876	Ditto	52 0 0	1 Dec., 1875.
Messenger, Stroud (1)	John D. Sheriff	1 Jan., 1877	Ditto	26 0 0	1 Oct., 1872.
Operator, Seal Rocks.....	120 0 0	1 Jan., 1877.
Station-master, Tabulam	26 0 0
Station-master, Tamworth ...	James Slattery.....	1 May, 1877	Governor and Executive Council	104 0 0	1 May, 1877.
Junior Operators, Tamworth	James Glover ³	1 May, 1877	Governor and Executive Council	26 0 0	1 May, 1877.
Line Repairer, Tamworth...	succeeded by Elizabeth M. Hoadley ⁴ ...	1 Mar., 1878	Ditto	104 0 0	1 Jan., 1878.
Messenger (1)	succeeded by Henry Hoadley ⁵	1 June, 1878	Ditto	26 0 0	1 Mar., 1859.
Station-master, Tarcutta ...	succeeded by David Watson	1 Dec., 1878	Ditto	52 0 0	1 Dec., 1878.
Station-master, Taree	26 0 0
Messenger, Taree (1).....	Luke Kingsmill ⁶	1 July, 1877	Governor and Executive Council	150 0 0	29 Jan., 1876.
Junior Operator, Ten-mile Creek.	succeeded by Henry A. Lott	13 Mar., 1878	Ditto	150 0 0	18 Jan., 1875.
Station-master, Ten-mile Creek.	James E. Ballard	1 Oct., 1877	Ditto	180 0 0	1 April, 1867.
Station-master, Tenterfield.	Andrew Muir	5 July, 1876	Ditto	104 0 0	5 July, 1876.
Junior Operators, Tenterfield.	George D. Woodall ⁷	13 Jan., 1876	Ditto	104 0 0	13 Jan., 1875.
Line Repairer, Tamworth...	succeeded by James Falconer	1 June, 1878	Ditto	150 0 0	1 Jan., 1869.
Messenger (1)	John Goldrick	1 Dec., 1878	Ditto	104 0 0	7 Sept., 1877.
Station-master, Tarcutta ...	James Lambert	14 Nov., 1878	Ditto	104 0 0	14 Nov., 1878.
Station-master, Taree	George S. Hay	1 July, 1875	Ditto	120 0 0	1 Aug., 1874.
Messenger, Taree (1).....	52 0 0
Junior Operator, Ten-mile Creek.	John A. Kelly	1 June, 1875	Governor and Executive Council	120 0 0	1 June, 1875.
Station-master, Ten-mile Creek.	Joshua W. Nunn	8 May, 1876	Ditto	180 0 0	13 Sept., 1862.
Station-master, Tenterfield.	26 0 0
Junior Operators, Tenterfield.	Henry D. Edwards ⁸	1 Jan., 1872	Governor and Executive Council	104 0 0	1 Jan., 1872.
Line Repairer, Tamworth...	succeeded by Henry J. Aubin	19 Aug., 1878	Ditto	150 0 0	17 Mar., 1875.
Messenger (1)
Station-master, Tarcutta ...	Richard H. Hipsley	1 Nov., 1875	Ditto	300 0 0	11 Feb., 1858.
Station-master, Taree	John T. Cridge	1 Feb., 1877	Ditto	150 0 0	1 July, 1875.
Messenger, Taree (1).....	Edward H. J. Coleman ⁹	1 July, 1877	Ditto	150 0 0	6 June, 1876.
Junior Operator, Ten-mile Creek.	succeeded by David Skeldon	22 Nov., 1878	Ditto	104 0 0	22 Nov., 1878.
Station-master, Ten-mile Creek.	James Richards	7 Mar., 1876	Ditto	104 0 0	7 Mar., 1876.
Station-master, Tenterfield.	150 0 0
Junior Operators, Tenterfield.	from 1 Feb.
Line Repairer, Tamworth...	Robert Thomson	18 Jan., 1877	Ditto	120 0 0	20 April, 1876.

¹ To 11 June—appointed to Nulla Nulla. ² To 11 February—dismissed. ³ To 28 February—appointed to Sydney. ⁴ To 31 May—resigned. ⁵ To 30 November—resigned. ⁶ To 12 March—appointed Junior Operator, Glen Innes. ⁷ To 31 May—appointed Station-master, Uralla. ⁸ To 18 August—appointed Station-master, Tumberumba. ⁹ To 21 November—resigned.

NOTE.—The allowances to the above officers will be found stated in a foot-note at the end of the return.

Office.	Name.	Date of Appointment.	By whom appointed, and under what Instrument.	Annual Salary. £ s. d.	Date of first Appointment under the Colonial Government.
POSTMASTER GENERAL—ELECTRIC TELEGRAPHS—continued.					
<i>COUNTRY DISTRICTS—continued.</i>					
Junior Operators, Tenterfield— <i>continued.</i>	Richard E. Done ¹	1 Jan., 1877	Governor and Executive Council	104 0 0	1 Jan., 1877.
	succeeded by				
	John R. R. Graham	1 Aug., 1878	Ditto	104 0 0	1 Aug., 1878.
Line Repairer, Tenterfield...	Thomas Hanna	15 Dec., 1876	Ditto	120 0 0	15 Dec., 1876.
Messenger, Tenterfield (1)...				52 0 0	
Station-master, Terrara.....	George S. Roberts	20 Aug., 1876	Governor and Executive Council	104 0 0	20 Aug., 1876.
Station-master, Tinonee ...	James Ward	22 Sept., 1878	Ditto	104 0 0	22 Sept., 1878.
Station-master, Tum-berumba.	Henry D. Edwards.....	19 Aug., 1878	Ditto	104 0 0	1 Jan., 1872.
Station-master, Tumut	Kenneth C. Mackenzie ..	1 July, 1871	Ditto	120 0 0	7 June, 1870.
Messenger, Tumut (1)				37 10 0	
Operator, Ulladulla	Elizabeth M. Gambell.....	18 April, 1876	Governor and Executive Council	26 0 0	18 April, 1876.
Station-master, Ulmarra	Arthur Flanders	12 Dec., 1877	Ditto	104 0 0	12 Dec., 1877.
Station-master, Urala	James Falconer ²	1 Jan., 1875	Ditto	150 0 0	1 Jan., 1869.
	succeeded by				
	George D. Woodall	1 June, 1878	Ditto	150 0 0	13 Jan., 1875.
Messenger, Urala (1)				26 0 0	
Station-master, Urana	James T. Harrison ³	1 July, 1873	Governor and Executive Council	180 0 0	1 Nov., 1855.
	succeeded by				
	John Clinch	10 July, 1878	Ditto	180 0 0	1 June, 1870.
Messenger, Urana (1)				39 0 0	
Station-master, Vegetable Creek.	William Barnes ⁴	1 Jan., 1877	Governor and Executive Council	150 0 0	1 Dec., 1875.
	succeeded by				
	William Graham	1 Sept., 1878	Ditto	150 0 0	1 Feb., 1872.
Messenger, Vegetable Creek (1)				39 0 0	
Station-master, Wagga Wagga.	Cecil A. Middleton ⁵	23 Aug., 1869	Governor and Executive Council	200 0 0	24 July, 1861.
	succeeded by				
	James Curry	20 Aug., 1878	Ditto	250 0 0	18 Nov., 1861.
Junior Operator, Wagga Wagga.	Alfred D. Turner ⁶	1 April, 1874	Ditto	150 0 0	1 April, 1874.
Operators, Wagga Wagga...	William S. Bellamy.....	10 July, 1878	Ditto	150 0 0	6 May, 1876.
	James Edward Cooper ⁷ ..	1 Dec., 1875	Ditto	104 0 0	1 Dec., 1875.
	succeeded by				
	Edward A. Redman	19 Aug., 1878	Ditto	150 0 0	1 June, 1877.
Line Repairer, Wagga Wagga.	William S. Bellamy ⁸	18 Aug., 1877	Ditto	150 0 0	6 May, 1876.
	succeeded by				
	James T. Harrison	10 July, 1878	Ditto	150 0 0	1 Nov., 1855.
Messengers, Wagga Wagga (2)				52 0 0	each.
Station-master, Walcha	David R. Thursby	1 Jan., 1877	Governor and Executive Council	120 0 0	1 Jan., 1877.
Station-master, Warrah	Herbert A. Smith	22 Nov., 1877	Ditto	104 0 0	22 Nov., 1877.
Station-master, Walgett	James R. Battye	6 June, 1876	Ditto	150 0 0	1 May, 1875.
Junior Operator, Walgett...	Duncan A. Murchison ⁹ ..	1 Jan., 1877	Ditto	104 0 0	1 Jan., 1877.
	succeeded by				
	George Magovney	25 Mar., 1878	Ditto	104 0 0	25 Mar., 1878.
Messenger, Walgett (1)				52 0 0	
Station-master, Wallabadah	Arthur R. J. Meynink	19 Sept., 1877	Governor and Executive Council	104 0 0	19 Sept., 1877.
Station-master, Wallsend ...	Oliver Haydock	9 Sept., 1876	Ditto	75 0 0	9 Sept., 1876.
Station-master, Waratah ...	John Banfield ¹⁰	1 May, 1875	Ditto	52 0 0	1 May, 1875.
	succeeded by				
	William Harris	24 Nov., 1878	Ditto	52 0 0	1 May, 1875.
Station-master, Warialda...	Edward S. Atkinson	1 May, 1877	Ditto	150 0 0	1 Oct., 1874.
Messenger, Warialda (1) ...				52 0 0	
Operator, Warkworth	Blanche Squire	20 May, 1878	Governor and Executive Council	52 0 0	20 May, 1878.
Station-master, Wee Waa...	John Thurlow	6 May, 1876	Ditto	104 0 0	6 May, 1876.
Station-master, West Kempsey.	John Williams	1 Jan., 1872	Ditto	200 0 0	1 Jan., 1872.
Junior Operator, West Kempsey.	George H. Chapman ¹¹ ..	15 Mar., 1878	Ditto	52 0 0	15 Mar., 1878.
Line Repairer, West Kempsey.	Patrick Tierney	12 June, 1878	Ditto	120 0 0	12 June, 1878.
Station-master, Warren.....	William J. Campbell ¹² ..	20 Aug., 1876	Ditto	120 0 0	1 June, 1875.
	succeeded by				
	William G. Drew	1 June, 1878	Ditto	150 0 0	24 June, 1876.
Messenger, Warren (1).....				52 0 0	
Station-master, Wellington..	Alexander Chrystal.....	1 Jan., 1875	Governor and Executive Council	180 0 0	1 Nov., 1871.
Messenger (1).....				26 0 0	
Station-master, Wentworth	William Camper	1 June, 1867	Governor and Executive Council	300 0 0	7 Dec., 1858.
Junior Operator, Wentworth	James R. Holding ¹³	1 Sept., 1877	Ditto	150 0 0	1 June, 1873.
	succeeded by				
	Patrick T. Whealy	1 July, 1878	Ditto	150 0 0	1 May, 1877.
	Patrick T. Whealy ¹⁴	1 May, 1877	Ditto	104 0 0	1 May, 1877.
	succeeded by				
	Aubrey H. Murray	1 July, 1878	Ditto	104 0 0	13 May, 1876.
Line Repairer, Wentworth	William Cunningham.....	17 May, 1867	Ditto	150 0 0	10 June, 1865.
Messenger, Wentworth (1)...				52 0 0	

¹ To 31 July—appointed Station-master, Manilla.

² To 31 May—appointed Junior Operator, Tamworth.

³ To 9 July—appointed Line Repairer,

Wagga Wagga.

⁴ To 31 August—dismissed.

⁵ To 10 August—appointed to Goulburn.

⁶ To 14 April—appointed Station-master, Louth.

⁷ To 18 August—appointed to Albury.

⁸ To 9 July—appointed an Operator.

⁹ To 24 March—appointed Station-master, Barrington.

¹⁰ To 23 November—appointed to Barraba.

¹¹ To 31 August—appointed Station-master, Central Kempsey.

¹² To 31 May—resigned.

¹³ To 30 June—resigned.

¹⁴ Promoted.

NOTE.—The allowances to the above officers will be found stated in a foot-note at the end of the return.

NEW SOUTH WALES—1878.

131

Office.	Name.	Date of Appointment.	By whom appointed, and under what Instrument.	Annual Salary.	Date of first Appointment under the Colonial Government.
				£ s. d.	
POSTMASTER GENERAL—ELECTRIC TELEGRAPHS—continued.					
<i>COUNTRY DISTRICTS—continued.</i>					
Station-master, Wickham...	Henry R. Lockyer	7 Oct., 1878	Governor and Executive Council	60 0 0	
Station-master, Wiseman's Ferry.	John T. Marx	1 July, 1875	Ditto	150 0 0	1 July, 1875.
Station-master, Wilcannia...	Albert Davies	1 Jan., 1878	Ditto	180 0 0	1 Mar., 1870.
Operator, Wilcannia	Woolsey J. P. Bennett	1 Oct., 1878	Ditto	104 0 0	1 Oct., 1878.
Station-master, Wollombi...	John C. J. Smith	1 July, 1875	Ditto	180 0 0	1 Jan., 1870.
Station-master, Wollongong	Philip Mackel	1 April, 1870	Ditto	180 0 0	1 Jan., 1860.
Junior Operator, Wollongong.	Samuel E. Millard	1 Dec., 1877	Ditto	52 0 0	1 Oct., 1877.
Messenger, Wollongong (1)				26 0 0	
Station-master, Windsor	Jesse M. Cooke	6 June, 1876	Governor and Executive Council	104 0 0 to 31 July. 150 0 0 from 1 Aug.	6 June, 1876.
Messenger (1)				52 0 0	
Station-master, Yass	John R. Colls	1 Dec., 1874	Governor and Executive Council	200 0 0	1 Jan., 1872.
Operator, Yass	Frederick Lassen	22 July, 1876	Ditto	104 0 0	1 Aug., 1874.
Messenger, Yass (1)				52 0 0	
Station-master, Young	William M. Nab	1 July, 1873	Governor and Executive Council	200 0 0	16 Dec., 1865.
Junior Operator, Young	John M. Shannon	6 Mar., 1877	Ditto	104 0 0	6 Mar., 1877.
Line Repairer, Young	Henry Kline	15 Dec., 1875	Ditto	120 0 0	15 Dec., 1875.
Messenger, Young (1)				52 0 0	
Station-master, Yetman	Frederick W. Brown	1 Jan., 1877	Governor and Executive Council	180 0 0	1 Dec., 1867.
Construction Overseers—					
Bourke to Wentworth	R. Richardson ¹	1 Jan., 1877	Secretary for Public Works	20/- per diem	7 Aug., 1871.
	G. B. Chalou ²	1 Jan., 1877	Ditto		1 Jan., 1877.
	W. A. Forster ³	1 Jan., 1877	Ditto		10 Dec., 1875.
	S. W. Cruden ⁴	1 Mar., 1877	Ditto		1 Dec., 1874.
	G. Macauley ⁵	1 Jan., 1877	Ditto		1 Jan., 1877.
	A. E. Derrig ⁶	1 Feb., 1877	Ditto		1 Feb., 1877.
Bourke to Rutherford's...	J. W. Carne ⁷	1 Jan., 1877	Ditto		1 Jan., 1877.
	J. S. Drury ⁸	14 Mar., 1877	Ditto		6 Dec., 1875.
Hay to Booligal	J. Madden ⁹	1 Feb., 1877	Ditto		14 June, 1876.
	C. H. Manton ¹⁰	1 Feb., 1877	Ditto		7 Aug., 1875.
Yass to Queanbeyan	A. Gray ¹¹	1 Feb., 1877	Ditto		1 Nov., 1875.
Bowling to Wagga Wagga	John Elder	23 Jan., 1877	Ditto		1 Sept., 1874.
Murrurundi to Tamworth	W. S. Harrison ¹²	1 June, 1877	Ditto		6 Dec., 1875.
Trial Bay line	C. Mooney ¹³	14 Jan., 1878	Ditto		8 June, 1877.
	T. Coghlan ¹⁴	14 Jan., 1878	Ditto		14 Jan., 1878.
Merriwa to Denman	A. L. Pattison ¹⁵	14 Jan., 1878	Ditto		3 Sept., 1873.
	William Court ¹⁶	14 Jan., 1878	Ditto		6 Dec., 1875.
Tamworth to Barraba	E. S. Ruthven ¹⁷	1 Jan., 1878	Ditto		6 Dec., 1875.
	John Higgins ¹⁸	1 Jan., 1878	Ditto		1 Jan., 1878.
Forbes to Condobolin	C. A. Maddick ¹⁹	10 Jan., 1878	Ditto		10 Jan., 1878.
	T. S. Pidding ²⁰	1 Jan., 1878	Ditto		20 June, 1873.
Adelong to Tumberumba	A. H. Doudney ¹⁷	11 Jan., 1878	Ditto		11 Jan., 1878.
	L. E. Peed ²¹	11 Jan., 1878	Ditto		6 May, 1876.
Cooranbong to Gosford	F. B. Thomson ²²	4 Jan., 1878	Ditto		4 Jan., 1878.
	H. Watsford ²³	1 Jan., 1878	Ditto		6 May, 1876.
Additional wire to Bathurst.	G. H. Clark ²⁴	1 Feb., 1878	Ditto		25 April, 1877.
	R. D. D. Jervois ²⁵	1 Feb., 1878	Ditto		16 June, 1877.
Wagga to Demiliquin	R. C. Rutter ²⁶	20 Feb., 1878	Ditto		10 Dec., 1875.
	L. Makinson ²⁷	19 Feb., 1878	Ditto		8 June, 1877.
Albury to Corowa	G. Wyndham ²⁸	20 Feb., 1878	Ditto	Each 16/- per diem	20 Feb., 1878.
	E. Ryan ²⁹	14 Feb., 1878	Ditto		28 April, 1877.
Bathurst to Rockley	W. A. Steel ³⁰	9 Jan., 1878	Ditto		9 Jan., 1878.
	T. W. Wilson ³¹	9 Jan., 1878	Ditto		6 Dec., 1875.
Booligal to Hillston	W. Monteeth	15 July, 1878	Ditto		15 July, 1878.
	J. Madden	12 Oct., 1878	Ditto		14 June, 1876.
Casino to Coraki	T. Coghlan	1 July, 1878	Ditto		14 June, 1878.
	H. Watsford	1 Aug., 1878	Ditto		6 May, 1876.
Morangorell to Marsden's	E. Evans ³²	15 July, 1878	Ditto		15 July, 1878.
	R. C. Rutter ³²	15 July, 1878	Ditto		10 Dec., 1875.
Cowra to Grenfell	S. W. Cruden ³³	9 July, 1878	Ditto		1 Dec., 1874.
	J. Higgins ³³	1 Aug., 1878	Ditto		1 Jan., 1878.
Warren to Bourke	G. Wyndham	4 July, 1878	Ditto		20 Feb., 1878.
	T. S. Pidding	28 June, 1878	Ditto		20 June, 1873.
Kiama to Moss Vale	D. Moffit ³⁴	4 July, 1878	Ditto		4 July, 1878.
	W. S. Harrison	28 June, 1878	Ditto		6 Dec., 1875.
Milton to Bateman's Bay	H. A. Skinner	8 July, 1878	Ditto		8 July, 1878.
	Andrew Gray	1 July, 1878	Ditto		1 Nov., 1875.
Grafton to Copmanhurst	A. L. Pattison ³⁵	31 July, 1878	Ditto		3 Sept., 1873.
	E. Ryan ³⁶	31 July, 1878	Ditto		28 April, 1877.
Cootamundra to Gundagai	E. S. Ruthven	1 Aug., 1878	Ditto		6 Dec., 1875.
	A. H. Doudney	1 Aug., 1878	Ditto		11 Jan., 1878.

¹ To 31 May. ² To 4 March. ³ To 28 February. ⁴ To 31 March—appointed on line, Cowra to Grenfell. ⁵ To 21 February—appointed overseer on the Extensions, from 26 November. ⁶ To 21 February. ⁷ To 5 July. ⁸ To 15 March. ⁹ To 12 July—appointed on line, Booligal to Hillston. ¹⁰ To 12 July. ¹¹ To 30 June—appointed on line, Milton to Bateman's Bay. ¹² To 27 June—appointed on line, Kiama to Moss Vale. ¹³ To 30 June—appointed on Extensions generally. ¹⁴ To 19 June—appointed on line, Casino to Coraki. ¹⁵ To 11 July—appointed on line, Grafton to Copmanhurst. ¹⁶ To 11 July. ¹⁷ To 31 July—appointed on line, Cootamundra to Gundagai. ¹⁸ To 31 July—appointed on line, Cowra to Grenfell. ¹⁹ To 25 June. ²⁰ To 25 June—appointed on line, Warren to Bourke. ²¹ To 31 August. ²² To 31 August—appointed on Extensions generally. ²³ To 31 July—appointed on line, Casino to Coraki. ²⁴ To 31 July—appointed on Extensions generally. ²⁵ To 8 April. ²⁶ To 4 June—appointed on line, Morangorell to Marsden's. ²⁷ To 24 June. ²⁸ To 29 May—appointed on line, Warren to Bourke. ²⁹ To 30 April—appointed on line, Grafton to Copmanhurst. ³⁰ To 30 June. ³¹ To 30 September. ³² To 22 December. ³³ To 12 November—appointed overseer on Extensions generally. ³⁴ To 31 October. ³⁵ To 3 December. ³⁶ To 3 December—appointed on Extensions generally.

NOTE.—For allowances to above officers see next page.

Office.	Name.	Date of Appointment.	By whom appointed, and under what Instrument.	Annual Salary.	Date of first Appointment under the Colonial Government.
				£ s. d.	

POSTMASTER GENERAL—ELECTRIC TELEGRAPHS—*continued.*COUNTRY DISTRICTS—*continued.*

Office.	Name.	Date of Appointment.	By whom appointed, and under what Instrument.	Annual Salary.	Date of first Appointment under the Colonial Government.
Extensions generally.....	J. N. Roberts	1 Jan., 1878	Secretary for Public Works	Each	1 Jan., 1878.
	H. Gallagber	1 Jan., 1878	Ditto	16/-	1 Jan., 1878.
	C. Mooney ¹	24 Aug., 1878	Ditto	per diem.	8 June, 1877.
	G. H. Clark	3 Dec., 1878	Ditto		25 April, 1877.
	G. Macauley	26 Nov., 1878	Ditto		1 Jan., 1877.
	S. W. Cruden	26 Nov., 1878	Ditto		1 Dec., 1874.
	E. Ryan	6 Dec., 1878	Ditto		28 April, 1877.
	T. B. Thomson.....	12 Dec., 1878	Ditto		4 June, 1878.
	J. Higgins	12 Dec., 1878	Ditto		1 Jan., 1878.

¹ To 24 December.

NOTE.—*Station-masters*:—Each allowed quarters and 12s. per diem when travelling on duty. Those at Bathurst and Muswellbrook allowed £30 per annum each; Kyamba and Warialda, each £40 per annum; Cooma, Mudgee, and Orange, each £25 per annum in lieu of forage, and those at Eden, Wollombi, Hay, Wiseman's Ferry, Balranald, Euston, Yetman, Newton Boyd, Pooncarie, Wilcannia, Moulamein, Louth, Barrington, and Urana, receive 4s. per diem for forage.

Line Repairers:—Each allowed 12s. per diem when travelling on duty, and those at Armidale, Bourke, Cooma, Deniliquin, Forbes, Glen Innes, Gundagai, Murrurundi, Nulla Nulla, Pilliga, Tamworth, Tenterfield, Wentworth, Wagga Wagga, and West Kempsey, receive each 4s. per diem in lieu of forage.

Construction Overseers:—Each allowed 4s. 6d. per diem in lieu of forage, except Messrs. Clarke and Jervois employed in construction of additional wire to Bathurst, and Mr. Gallagher on extensions generally.

N.B.—All officers in charge of Stations give security to the amount of £100 each.

GOVERNMENT SAVINGS' BANK.

Controller	Francis William Hill	1 Sept., 1871	Governor and Executive Council	100 0 0 to 30 April. 200 0 0 from 1 May.	5 Aug., 1850.
Cashier	Andrew James Doak	1 July, 1875	Ditto	67 0 0 to 30 April. 100 0 0 from 1 May.	1 Feb., 1864.
Teller	Arthur Robert Docker ...	1 July, 1875	Ditto	62 0 0	1 Jan., 1867.
Ledger-keepers	William Burnet	1 July, 1875	Ditto	60 0 0	17 April, 1867.
	William P. Simpson	1 July, 1875	Ditto	54 0 0	1 July, 1866.
	William A. Uhr	1 May, 1878	Ditto	50 0 0	1 July, 1866.
	Alexander E. Blackmore...	1 May, 1878	Ditto	50 0 0	1 Mar., 1869.
	William D. Bayly	1 Sept., 1871	Ditto	150 0 0 to 30 April. 200 0 0 from 1 May.	1 Sept., 1871.
	Edwin B. F. Lumsdaine...	1 May, 1878	Ditto	200 0 0	1 May, 1872.
Clerks	William Wood.....	1 June, 1875	Ditto	150 0 0 to 30 April. 200 0 0 from 1 May.	21 April, 1873.
	Walter Moyse	1 April, 1874	Ditto	150 0 0 to 30 April. 200 0 0 from 1 May.	10 Aug., 1871.
	John J. Mooney ¹	7 Mar., 1877	Ditto	50 0 0	18 Mar., 1874.
	George F. White	17 July, 1875	Ditto	100 0 0 to 30 April. 150 0 0 from 1 May.	17 July, 1875.
	Frederick J. Bull.....	1 June, 1875	Ditto	100 0 0 to 30 April. 150 0 0 from 1 May.	1 June, 1875.
	Henry Reeve	1 July, 1875	Ditto	100 0 0 to 30 April. 150 0 0 from 1 May.	1 July, 1875.
Messenger (1)	Henry G. Kilby	1 May, 1878	Ditto	150 0 0 to 30 April. 25 0 0	4 Mar., 1877.
	Postmaster General		

¹ To 30 April—transferred to Money Order Office.

PRAT XII.

 Miscellaneous.

SUMMARY.

	PAGE.
Ecclesiastical Establishment	134
Education	136
Pensions	138
Foreign Consuls	141
Returning Officers... ..	142
Agreements Validating Officers	143
Guardians of Minors	144

ECCLESIASTICAL ESTABLISHMENT.

RETURN of the ECCLESIASTICAL ESTABLISHMENT, for the Year 1878.

Office.	Name.	Date of Appointment.	By whom appointed, and under what Instrument.	Annual Salary.	Date of first Appointment under the Colonial Government.
				£ s. d.	
CHURCH OF ENGLAND—DIOCESE OF SYDNEY.					
Lord Bishop of Sydney and Metropolitan.	The Right Reverend Fred-eric Barker, D.D.	19 Oct., 1854	Her Majesty, by Letters Patent under the Great Seal of the United Kingdom.	2,000 0 0*	19 Oct., 1854.
Dean of Sydney	Very Rev. William Mac- quarie Cowper, M.A. }	12 July, 1858	Governor and Executive Council	300 0 0	} 12 July, 1858.
Parish of St. Phillip (City)		1 Aug., 1858	Ditto	160 0 0	
Do.	Rev. Edward Rogers	1 Aug., 1858	Ditto	200 0 0	20 Jan., 1838.
Parish of St. Andrew (City)	„ Thomas O'Reilly	15 Feb., 1863	Ditto	200 0 0	1 Oct., 1848.
Parish of St. James (City)	„ Robert Allwood, B.A.	1 Jan., 1840	Governor	200 0 0	8 Dec., 1839.
Parish of Alexandria (Surry Hills, City).	„ Hulton S. King	1 Jan., 1857	Governor and Executive Council	200 0 0†	
Ditto (Redfern)	„ Alfred H. Stephen, B.A.	1 Sept., 1855	Governor	200 0 0	1 July, 1850.
Parish of Petersham (Cook's River).	„ George King	15 Feb., 1863	Governor and Executive Council	200 0 0	15 July, 1849.
Ditto (Ashfield)	„ William Lumsdaine	1 Oct., 1860	Ditto	150 0 0	1 Oct., 1860.
Parish of Willoughby (St. Leonards, North Shore).	„ William B. Clarke, M.A. ¹	1 Aug., 1846	Governor	200 0 0	26 May, 1839.
DISTRICT OF PARRAMATTA.					
Parish of St. John	Rev. Robert L. King, B.A.	1 July, 1855	Ditto	200 0 0	1 July, 1855.
Parish of Prospect	„ Thomas Donkin, B.D.	1 Aug., 1855	Ditto	200 0 0	1 Jan., 1854.
DISTRICT OF WINDSOR.					
Parish of Pitt Town	Rev. Henry A. Palmer	1 Aug., 1861	Governor and Executive Council	200 0 0	
Parish of Ham Common	„ John Elder	1 Nov., 1845	Governor	200 0 0	15 June, 1840.
DISTRICT OF PENRITH.					
Parish of Mulgoa	Rev. George Vidal, B.A. ²	1 July, 1855	Ditto	200 0 0	19 June, 1840.
DISTRICT OF LIVERPOOL.					
Parish of St. Luke	Rev. Charles F. D. Priddle	1 July, 1855	Ditto	200 0 0	1 Feb., 1855.
Parish of Minto	„ George N. Woodd, B.A.	1 July, 1855	Ditto	200 0 0	5 Nov., 1837.
DISTRICT OF CAMPBELLTOWN.					
Parish of St. Peter	Rev. Edward Smith, B.A.	1 April, 1857	Governor and Executive Council	200 0 0	1 July, 1838.
DISTRICTS—					
Picton	„ James Carter	1 Jan., 1860	Ditto	80 17 6	
Wollongong	„ Thomas C. Ewing	1 Sept., 1857	Ditto	200 0 0†	1 July, 1846.
Kiama	„ Thomas Wilson, B.A.	1 Feb., 1862	Ditto	200 0 0	
Berrima (Sutton Forest)	„ Thomas Horton	1 July, 1858	Ditto	200 0 0	1 Sept., 1852.
Yass	„ Thomas Kemmis	12 Oct., 1859	Ditto	200 0 0	12 Oct., 1859.
¹ To 16 June—deceased. ² To 10 January—deceased. * Of this amount £500 paid from "Bishopthorpe Estate." † Paid from "Clergy and School Estates Fund." ‡ Viz. —£100 paid from "Bishopthorpe Estate," and £100 from "Clergy and School Estates."					
CHURCH OF ENGLAND—DIOCESE OF NEWCASTLE.					
Lord Bishop of Newcastle...	The Right Rev. William Tyrrell, D.D.	16 Jan., 1848	Her Majesty, by Letters Patent under the Great Seal of the United Kingdom, dated 25th June, 1847.	500 0 0	16 Jan., 1848.
DISTRICTS—					
Newcastle	Rev. G. C. Bode	1 Dec., 1862	Governor and Executive Council	100 0 0	1 June, 1859.
Paterson	„ F. W. Addams	1 Oct., 1846	Governor	200 0 0	12 Jan., 1846.
Morpeth, Hinton, and Middlethorpe.	„ C. Walsh	1 Aug., 1860	Governor and Executive Council	200 0 0	1 Aug., 1860.
East Maitland	„ L. Tyrrell	1 Dec., 1862	Ditto	200 0 0	
West Maitland	„ R. Chapman	1 Oct., 1846	Governor	200 0 0	25 July, 1840.
Raymond Terrace	„ J. R. Blomfield	1 May, 1852	Ditto	200 0 0	16 Mar., 1851.
Lochinvar and Branxton	„ F. D. Bode	1 Dec., 1862	Governor and Executive Council	100 0 0	
Singleton	„ J. Blackwood, B.A.*	1 Oct., 1850	Governor	200 0 0	1 Oct., 1850.
Muswellbrook	„ W. E. White	1 Mar., 1860	Governor and Executive Council	200 0 0	
Scone	„ C. Child, B.A.	1 Feb., 1853	Governor	200 0 0	1 Jan., 1850.
Murrurundi	„ J. J. Nash, M.A.	1 June, 1859	Governor and Executive Council	100 0 0	1 June, 1859.
Dungog	„ S. Simm	1 Dec., 1862	Ditto	100 0 0	
Manning River	„ W. C. Hawkins	1 Jan., 1861	Ditto	100 0 0	
Clarence River	„ A. E. Selwyn	1 Jan., 1853	Governor	100 0 0	1 Jan., 1853.
* Left the Colony, 1 July, 1876.					

NEW SOUTH WALES—1878.

135

Office.	Name.	Date of Appointment.	By whom appointed, and under what Instrument.	Annual Salary.			Date of first Appointment under the Colonial Government.
				£	s.	d.	
ECCLESIASTICAL ESTABLISHMENT—CHURCH OF ENGLAND—continued.							
CHURCH OF ENGLAND—DIOCESE OF GOULBURN.							
Lord Bishop of Goulburn...	Right Rev. Mesac Thomas	25 Mar., 1863	Her Majesty, by Letters Patent under the Great Seal of the United Kingdom.	*100	0	0	25 Mar., 1863.
DISTRICTS—							
Bungonia	Rev. Edmond B. Proctor, M.A.	1 Sept., 1856	Governor and Executive Council	200	0	0	1 July, 1852.
Canberra (Queanbeyan)	„ Pierce G. Smith, M.A.	26 May, 1855	Governor.....	150	0	0	26 May, 1855.
Queanbeyan	„ Alberto D. Soares	1 April, 1857	Governor and Executive Council	200	0	0	1 April, 1857.
Collector (Yass)	„ Daniel P. M. Hulbert, M.A.	1 April, 1857	Ditto	150	0	0	1 April, 1857.
Cooma	„ Thomas Druitt.....	1 Dec., 1856	Ditto	100	0	0	1 Jan., 1854.
* From Bishopthorpe Estate.							
CHURCH OF ENGLAND—DIOCESE OF BATHURST.							
DISTRICTS—							
Bathurst	Rev. Thomas Sharpe, M.A. ¹	1 Jan., 1842	Governor.....	200	0	0	1 Oct., 1830.
Carcoar	„ John A. Burke, M.A.	1 Aug., 1858	Governor and Executive Council	200	0	0	1 Aug., 1858.
Mudgee.....	„ James Gunther	1 Jan., 1844	Governor.....	200	0	0	1 Jan., 1844.
¹ Allowed 2s. 6d. per diem in lieu of forage, from Schedule C; also £50 per annum for house rent, from the Clergy and School Estates Fund.							
CHURCH OF ENGLAND—DIOCESE OF GRAFTON AND ARMIDALE.							
DISTRICTS—							
Armidale	Rev. Septimus Hungerford	1 April, 1854	Governor.....	100	0	0	— 1853.
Glen Innes	„ J. H. Johnson	1 Dec., 1862	Governor and Executive Council	100	0	0	— 1851.
Tamworth.....	„ J. F. R. Whinfield	1 July, 1861	Ditto	100	0	0	— 1851.
Port Macquarie	„ F. R. Kemp ¹	1 Jan., 1861	Ditto	150	0	0	1 Dec., 1851.
¹ Deceased, 8 August.							
ROMAN CATHOLIC CHURCH.							
Vicar-General.....	Very Reverend Samuel J. A. Sheehy.	1 Feb., 1862	Governor and Executive Council	300	0	0	1 May, 1850.
DISTRICT OF SYDNEY.							
Parish of Alexandria (Surry Hills, City).	Rev. John Sheridan.....	1 Oct., 1857	Ditto	200	0	0	1 May, 1850.
Parish of Petersham (Newtown).	„ John N. Quirk	15 May, 1863	Ditto	100	0	0	—
Parish of Hunter's Hill, District of Parramatta.	„ Claudius Maria Joly ..	1 April, 1859	Ditto	150	0	0	—
Parish of St. Luke, District of Liverpool.	„ Peter Young.....	1 July, 1860	Ditto	200	0	0	1 July, 1843.
Parish of Appin, District of Campbelltown.	„ James Paul Roche ...	1 May, 1850	Ditto	200	0	0	1 Sept., 1846.
DISTRICTS—							
Windsor	Rev. Patrick Hallinan, D.D.	1 May, 1852	Governor.....	200	0	0	1 Jan., 1846.
Camden	„ J. J. Rigney.....	1 Nov., 1861	Governor and Executive Council	150	0	0	16 July, 1838.
Wollongong	„ D. V. M. O'Connell...	16 May, 1863	Ditto	200	0	0	1 Sept., 1848.
Kiama	„ Michael Flanagan ...	1 July, 1860	Ditto	150	0	0	—
Ditto (Millendary)	„ Patrick Birch	16 July, 1859	Ditto	150	0	0	—
Shoalhaven	„ David John D'Arcy...	1 Mar., 1863	Ditto	150	0	0	—
Berrima.....	„ William Lanigan.....	1 Jan., 1862	Ditto	150	0	0	—
Goulburn	„ Michael M'Alroy.....	1 May, 1862	Ditto	200	0	0	—
Ditto (Bungonia).....	„ Eugene Luckie	16 May, 1863	Ditto	150	0	0	— 1848.
Braidwood (Araluen)...	„ Edward O'Brien	15 July, 1852	Governor.....	150	0	0	15 July, 1852.
Queanbeyan	„ Patrick White	1 Sept., 1862	Governor and Executive Council	200	0	0	—
Yass	„ James Hanley	1 July, 1861	Ditto	200	0	0	1 Dec., 1843.
Carcoar	„ Timothy M'Carthy	1 Nov., 1862	Ditto	200	0	0	1 Oct., 1853.
Mudgee.....	„ Callagan M'Carthy	1 Sept., 1852	Governor.....	150	0	0	1 Mar., 1850.
Hartley	„ James Phelan	16 Mar., 1858	Governor and Executive Council	150	0	0	1 Nov., 1853.
Orange	„ Miles Edmund Athy...	1 Sept., 1862	Ditto	150	0	0	—
Albury	„ Cornelius Twomey ...	1 July, 1857	Ditto	150	0	0	1 April, 1853.
East Maitland	„ John Kenny	16 May, 1863	Ditto	200	0	0	1 Oct., 1844.
West Maitland.....	„ Jerome Keating	16 May, 1863	Ditto	200	0	0	1 April, 1846.
Armidale	„ John Thomas Lynch...	1 Nov., 1862	Ditto	150	0	0	16 July, 1838.

Office.	Name.	Date of Appointment.	By whom appointed, and under what instrument.	Annual Salary.	Date of first Appointment under the Colonial Government.
				£ s. d.	
ECCLESIASTICAL ESTABLISHMENT—continued.					
PRESBYTERIAN CHURCH.					
SYDNEY—					
Pitt-street	Rev. Jas. Fullerton, LL.D.	3 Dec., 1838	Governor.....	200 0 0	3 Dec., 1837.
Paddington	„ James Milne	1 July, 1854	Ditto	150 0 0	1 July, 1854.
Woolloomooloo.....	„ John M'Gibbon	22 Mar., 1854	Ditto	150 0 0	22 Mar., 1854.
DISTRICTS—					
Bathurst	„ J. B. Laughton	1 Jan., 1855	Ditto	150 0 0	1 Oct., 1851.
Hinton	„ Alexander M'Ewan.....	1 Nov., 1860	Governor and Executive Council	200 0 0	1 May, 1854.
Muswellbrook	„ Duncan Ross	1 Oct., 1860	Ditto	102 0 0	
Newcastle	„ James Coutts, M.A.....	1 May, 1861	Ditto	150 0 0	26 Mar., 1849.
Paterson	„ Thomas Stirton	3 Feb., 1856	Ditto	150 0 0	1 Mar., 1854.
Port Macquarie	„ Edward Holland.....	16 Aug., 1853	Governor.....	150 0 0	16 Aug., 1853.
Singleton	„ James S. White	10 May, 1847	Ditto	150 0 0	10 May, 1847.
Windsor	„ David Moore	1 Mar., 1863	Governor and Executive Council	150 0 0	
WESLEYAN METHODIST CHURCH.					
DISTRICTS—					
Sydney	Rev. G. Hurst	1 Jan., 1862	Governor and Executive Council	172 10 6	
Maitland	„ Joseph Oram	1 April, 1862	Ditto	150 0 0	1 April, 1854.
Goulburn	„ W. Curnow.....	1 Jan., 1862	Ditto	150 0 0	
Bathurst	„ W. Kelynaek	1 Jan., 1860	Ditto	150 0 0	
Orange	„ W. Clarke	1 Jan., 1862	Ditto	150 0 0	
Penrith	„ J. W. Dowson.....	1 Jan., 1862	Ditto	150 0 0	
Manning River	„ J. Somerville	1 Jan., 1862	Ditto	150 0 0	
Parramatta	„ B. Chapman.....	1 Jan., 1863	Ditto	150 0 0	1 Jan., 1854.
Camden.....	„ G. Martin	1 Jan., 1862	Ditto	150 0 0	

EDUCATION.

UNIVERSITY OF SYDNEY.

RETURN of the UNIVERSITY OF SYDNEY for the Year 1878.

Office.	Name.	Salaries.	Allowances.	Fees from Students.	Total.	Remarks.
		£ s. d.		£ s. d.	£ s. d.	
Professor of Classics	Charles Badham, D.D.	900 0 0	House ...	425 18 2	1,325 18 2	Fees to Professors comprise Lecture Fees, Public Examination Fees, and Fees for Civil Service Examinations.
Professor of Mathematics.....	Theodore T. Gurney, M.A.	600 0 0	470 5 8	1,070 5 8	
Professor of Physics	John Smith, M.D.	825 0 0	237 7 0	1,062 7 0	
Professor of Geology.....	Archibald Liversidge ..	800 0 0	28 7 0	828 7 0	
Assistant Professor of Classics } Registrar	Hugh Kennedy, B.A.	500 0 0	212 19 1	712 19 1	
Master of Studies	Ebenezer Barff, M.A.	200 0 0	200 0 0	
Auditor	Geoffrey Eagar.....	25 0 0	25 0 0	
Accountant.....	William Clark	50 0 0	50 0 0	
Bedell	Joseph Burrows	125 0 0	House	125 0 0	
Gardener.....	W. Goodhew.....	125 0 0	House	125 0 0	
Under Gardener.....	J. Holle.....	100 0 0	100 0 0	
Messenger	Alexander White.....	100 0 0	100 0 0	
	Total.....£	4,350 0 0	1,374 16 11	5,724 16 11	

In addition to the above, the following officers are unsalaried, viz. :—
Esquire Bedell—John Kinloch, M.A.

Examiners—J. J. M. Beatty, LL.D., Judge Faucett, Sir W. Manning, Judge M'Farland, M. Stephen, Esq., H. G. Alleyne, Esq., G. Bennett, Esq., S. Boyd, Esq., J. C. Cox, Esq., P. S. Jones, Esq., F. N. Manning, Esq., A. Renwick, Esq., A. Roberts, Esq.

NEW SOUTH WALES—1878.

137

EDUCATION—*continued.*

ST. PAUL'S COLLEGE.

RETURN of St. PAUL'S COLLEGE, for the Year 1878.

Office.	Name.	Salary per annum.	Fees from Students.	Total.
Warden ¹	Rev. William Scott, M.A. (to 31 July) ... succeeded by	£ s. d. 500 0 0	£ s. d. 34 0 0	£ s. d. 534 0 0
Vice-Warden	Rev. W. H. Sharp, M.A. (from 1 August)
Bursar	Rev. Evelyn G. Hodgson, M.A. M. Metcalfe
	Total	500 0 0	34 0 0	534 0 0

¹ Allowed a residence.

ST. JOHN'S COLLEGE.

RETURN of St. JOHN'S COLLEGE, for the Year 1878.

Office.	Name.	Salary per annum.	Fees from Students.	Total.
Rector	Very Rev. Wm. Gillett ¹	£ s. d. 500 0 0	£ s. d. 811 3 5	£ s. d. 1,311 3 5
Classical Tutor	T. X. Counihan ¹	100 0 0	100 0 0
Mathematical Tutor	J. Skinner	100 0 0	100 0 0
	Total	500 0 0	1,011 3 5	1,511 3 5

¹ Allowed a residence.

ST. ANDREW'S COLLEGE.

RETURN of St. ANDREW'S COLLEGE, for the Year 1878.

Office.	Name.	Salary per annum.	Fees from Students.	Total.
Principal	Rev. John Kinross, B.A. ¹	£ s. d. 500 0 0	£ s. d.	£ s. d. 500 0 0
Secretary and Treasurer	Robert Anderson	40 0 0	40 0 0
	Total	540 0 0	540 0 0

¹ Allowed a residence.

SYDNEY GRAMMAR SCHOOL.

RETURN of the SYDNEY GRAMMAR SCHOOL, for the Year 1878.

Office.	Name.	Salaries.	Allowances.	Fees from Pupils.	Total.	Remarks
Head Master	Albert Byethesa Weigall	£ s. d. 500 0 0	£ s. d.	£ s. d. 891 0 0	£ s. d. 1,391 0 0	Residence allowed.
Mathematical Master	Edward Pratt	400 0 0	50 0 0	495 10 0	945 10 0	
Classical Master	Edwin Whitfeld	300 0 0	300 0 0	600 0 0	
Second Classical Master	Edwin Bean	33 6 8	33 6 8	Resigned, 31 Dec., 1877.
Assistant Masters	Lawrence Stephenson	300 0 0	300 0 0	
	Henry Chas. Lennox Anderson	300 0 0	10 0 0	310 0 0	
	Charles Henry Francis	300 0 0	300 0 0	
	Alfred de Lisle Hammond	145 16 8	145 16 8	Resigned.
	John Perry	250 0 0	250 0 0	
	James Green Davis	104 3 4	104 3 4	
	Joseph Henry Skinner	300 0 0	300 0 0	
	Edward Meyrick	237 10 0	237 10 0	
	Charles James Dashwood Goldie	183 6 8	183 6 8	
	W. H. Carroll	150 0 0	150 0 0	
Master of Modern Languages.	Lewis Whitfeld	75 0 0	75 0 0	
	Carl Lentzner	196 5 0	10 10 0	206 15 0	
	English Master	Charles John Fache	220 16 8	37 10 0	258 6 8
Writing Master	Carl Johan Nelson	235 8 4	235 8 4	
Janitor and Drill Sergeant	Walter R. H. Pope	100 0 0	12 0 0	112 0 0	
Secretary and Accountant to Trustees.	William Henry Catlett	100 0 0	54 12 7	154 12 7	Residence allowed.
	Total	£ 4,431 13 4	174 12 7	1,686 10 0	6,292 15 11	

PENSIONS.

RETURN of PENSIONS payable out of the Revenues of the Colony, &c., during the Year 1878.

Name of the Party.	Amount of Pension.	Authority under which the Pension was granted.	Date from which the Pension commenced.	Service for which the Pension was granted.
	£ s. d.			
PAID FROM THE CONSOLIDATED REVENUE FUND.				
Sir Alfred Stephen, C.B., K.C.M.G.	1,400 0 0	18 and 19 Vict., cap. 54	10 Nov., 1873	Late Chief Justice.
Sir John N. Dickinson	1,050 0 0	Ditto	18 Feb., 1861	„ Puisne Judge.
Sir Edward Deas-Thomson, C.B., K.C.M.G.	2,000 0 0	Ditto	6 June, 1856	Formerly Colonial Secretary.
Francis L. S. Merewether ...	900 0 0	Ditto	6 June, 1856	„ Auditor General.
Sir William M. Manning, Q.C. ¹	800 0 0	Ditto	26 Aug., 1856	„ Solicitor General.
James Larmer	167 0 0	Governor General and Executive Council.	1 April, 1853	} Late Surveyors.
John G. Galloway	143 19 9	Ditto	6 Oct., 1857	
James Warner	70 0 0	Ditto	1 June, 1853	Late Assistant Surveyor.
William C. Greville ²	366 13 4	Ditto	1 April, 1859	„ Clerk in the Colonial Secretary's Office.
Colin Mackenzie	35 10 0	Ditto	1 Jan., 1856	„ Clerk in the Supreme Court.
Osborne Homersham	40 0 0	Ditto	1 Mar., 1857	„ Clerk in the Customs.
Mrs. Susannah Mileham ...	100 0 0	Secretary of State	29 Sept., 1824	Widow of Surgeon Mileham.
Michael Doyle	39 10 0	Governor General and Executive Council.	1 April, 1857	Late Messenger, Colonial Treasury.
Thomas Bevan	9 2 6	Secretary of State	1 July, 1850	„ Trooper, Mounted Police.
Bryan Naughton	12 10 0	Governor and Executive Council.	1 Jan., 1850	„ Constable, Sydney Police.
Edward Wilson	14 18 3	Ditto	1 July, 1850	„ „ Penrith Police.
Thomas H. B. Venour	116 1 2	Ditto	1 April, 1859	„ Shipping Master.
Christopher M'Donnell	34 4 10	Ditto	9 Feb., 1861	„ Turnkey, Maitland Gaol.
James Bean	29 7 3	Ditto	4 July, 1860	„ Messenger, Survey Department.
Thomas Reilly	32 13 4	Ditto	17 Dec., 1859	„ Sergeant to the Governor General's Orderlies.
William W. Darke	153 0 11	Ditto	1 Jan., 1860	„ Assistant Surveyor.
John Bramwell ³	25 3 0	Ditto	10 May, 1859	„ Landing Waiter, Customs.
³ David Nash ⁴	40 12 6	Ditto	10 May, 1859	„ Warehousekeeper, Customs.
H. R. Labatt	53 12 7	Ditto	1 Dec., 1871	„ Engineer, Department of Harbours and River Navigation.
Mrs. Shanks	50 0 0	Ditto	— 1871	Widow of the late Pilot Shanks.
Lady Forbes	200 0 0	Ditto	9 Nov., 1841	Widow of Sir Francis Forbes, formerly Chief Justice.
Lady Dowling	200 0 0	Ditto	28 Sept., 1844	Widow of Sir James Dowling, late Chief Justice.
Mrs. Anne Petrie	100 0 0	Ditto	1 Jan., 1853	Daughter of the late Captain Flinders, R.N.
Lady Mitchell	200 0 0	Ditto	1 Jan., 1861	Widow of Sir T. L. Mitchell, formerly Surveyor General.
Catherine Lovett	100 0 0	Ditto	20 Mar., 1864	Widow of J. Lovett, late Pilot, Newcastle.
David Moores	48 12 2	Ditto	1 Aug., 1864	Late Foreman, Colonial Stores.
John Hayes	44 8 0	Ditto	1 Aug., 1864	„ Storeman, Colonial Stores.
Mrs. Maria Bate Wise	200 0 0	Ditto	28 Sept., 1865	Widow of Justice Wise.
Mrs. Smyth	26 0 0	Ditto	1 Jan., 1870	Late Court-keeper, Supreme Court, King-street.
Mrs. Margaret Edwards	50 0 0	Ditto	22 June, 1867	Widow of Pilot Edwards.
Mrs. Julia Robinson	150 0 0	Ditto	29 July, 1867	„ Robinson.
Mrs. Jane Reeder	75 0 0	Ditto	29 July, 1867	„ Reeder.
Mrs. Hannah Pope	1/3 ^p diem	Ditto	10 May, 1867	Late Housekeeper, Colonial Secretary's Office.
Ellen Del Prado	39 11 8	Ditto	1 Jan., 1871	„ Audit Office.
John S. Adam	228 11 5	Ditto	14 Mar., 1876	Chief Draftsman, Survey Office.
Mrs. Gowland	150 0 0	Ditto	1 July, 1875	Widow of Lieut. Gowland.
Mrs. Petersen	30 0 0	Ditto	1 July, 1875	„ Mr. Petersen.
Mrs. Wickham ⁵	84 0 0	Ditto	1 Jan., 1877	Late Postmistress, Parramatta.
Mrs. Haveland	30 0 0	Ditto	1 Jan., 1877	Widow of T. Haveland.
Thomas Scott	240 0 0	Ditto	1 Jan., 1877	For Public Services.
E. H. Hargraves	250 0 0	Ditto	1 Jan., 1877	„ „
Henry Halloran, C.M.G.	800 0 0	Ditto	21 Jan., 1878	Late Under Secretary, Colonial Secretary's Office.

¹ To 27 April, 1876—appointed Puisne Judge.
⁴ To 28 February—deceased.

² To 18 November—deceased.

³ In receipt of a pension from the Customs Superannuation Fund.

⁵ In receipt of a pension granted under the Civil Service Superannuation Repeal Act.

Pensions granted under the "Superannuation Repeal Act of 1873." (36 VICTORIA, No. 29.)

Robert Allen Hunt	310 0 0	Governor and Executive Council.	1 July, 1864	Late Superintendent of the Money Order Office.
Stephen Greenhill	600 0 0	Ditto	1 July, 1864	„ Chief Clerk, Pay Branch, Treasury.
John Goulesbury Lennon...	180 0 0	Ditto	20 Dec., 1864	„ Principal Clerk, Revenue Branch, Treasury.
Nicholas Nelson	156 5 0	Ditto	1 Feb., 1865	„ Clerk, General Post Office.
E. C. Brewer	64 3 4	Ditto	12 May, 1865	„ Sheriff's Bailiff.
J. R. Humbley	123 15 0	Ditto	16 June, 1865	„ Clerk, Audit Office.
George Brett	55 8 4	Ditto	1 May, 1865	„ Tide Waiter, Customs.
Thomas Jones	75 0 0	Ditto	1 June, 1866	„ Sheriff's Bailiff, Bathurst.
John Wells	373 6 8	Ditto	1 Mar., 1866	„ Under Secretary for Finance and Trade.
William C. Still	280 0 0	Ditto	21 Mar., 1866	„ Landing Surveyor, Customs.
Lewis Gordon	250 0 0	Ditto	1 Aug., 1866	„ District Surveyor.
Thomas K. Abbott	220 16 8	Ditto	1 Sept., 1866	„ Secretary, General Post Office.
William Thompson	75 0 0	Ditto	1 Oct., 1866	„ Official Postmaster, Bathurst.

NEW SOUTH WALES—1878.

139

Name of the Party.	Amount of Pension.	Authority under which the Pension was granted.	Date from which the Pension commenced.	Service for which the Pension was granted.
	£ s. d.			
PENSIONS—PENSIONS GRANTED UNDER THE SUPERANNUATION REPEAL ACT OF 1873—continued.				
John Chippendall	99 3 4	Governor and Executive Council.	13 May, 1867	Late Gaoler, Bathurst.
E. H. Statham	62 6 8	Ditto	1 Mar., 1867	Storekeeper and Manager, Lunatic Asylum, Parramatta.
John Wallace.....	70 0 0	Ditto	14 June, 1867	Gaoler at Maitland.
Edward Rogers	310 0 0	Ditto	1 Jan., 1868	Clerk of the Peace.
Stephen Cole	217 10 0	Ditto	11 June, 1868	Commissioner of Crown Lands.
Samuel Elyard	206 13 4	Ditto	18 Aug., 1868	Clerk, Colonial Secretary's Office.
James Prout	30 0 0	Ditto	20 Sept., 1868	Second Assistant Bailiff, Sydney.
Charles Tompson	360 0 0	Ditto	1 Feb., 1869	Clerk of Legislative Assembly.
W. H. Palmer	300 0 0	Ditto	1 June, 1869	Police Magistrate, Bathurst.
Charles E. Newcombe	292 10 0	Ditto	1 June, 1869	Police Magistrate, Bathurst.
William King.....	81 5 0	Ditto	1 July, 1869	Police Magistrate, Queanbeyan.
Michael Fitzpatrick ¹	426 13 4	Ditto	19 Dec., 1869	Landing Waiter, Customs.
J. Wickham ²	84 0 0	Ditto	1 Jan., 1870	Under Secretary for Lands.
John Kelleher	82 0 0	Ditto	1 Jan., 1870	Postmistress, Parramatta.
Edgar Beckham	233 6 8	Ditto	1 Jan., 1870	Foreman of Works, Dry Dock.
C. J. Williams	120 0 0	Ditto	1 Jan., 1870	Commissioner of Crown Lands.
Gother K. Mann	536 13 4	Ditto	1 Jan., 1870	Locker, Customs.
Thomas Cronin	133 6 8	Ditto	1 April, 1870	Engineer-in-Chief, &c., Cockatoo Island.
Charles H. Horsley	112 10 0	Ditto	1 May, 1870	Master of Dredge, "Hercules."
F. Underwood	186 13 4	Ditto	1 Jan., 1870	Locker, Customs.
Allan Williams	113 6 8	Ditto	16 June, 1870	Clerk, Lands Department.
H. Fitzgerald	82 0 0	Ditto	1 June, 1870	Accountant, Survey Department.
S. B. Warburton	241 13 4	Ditto	1 Jan., 1870	Foreman of Works, Dry Dock.
T. J. Jaques	326 13 4	Ditto	1 April, 1870	Chief Clerk, Lands Department.
W. C. Mayne	504 0 0	Ditto	15 Dec., 1870	Registrar General.
William Thomas	113 6 8	Ditto	23 May, 1871	Auditor General.
John R. Chambers.....	94 7 0	Ditto	1 Mar., 1871	Clerk, Lands Department.
Joseph Chambers	174 3 4	Ditto	16 June, 1871	Police Magistrate, Deniliquin.
Harry Mackenzie	90 13 4	Ditto	17 Feb., 1872	Crown Prosecutor, Western District.
William Muir.....	145 13 4	Ditto	1 May, 1873	Clerk, Audit Office.
W. Hampden Platt	116 11 0	Ditto	1 May, 1873	Inspector, Public Revenue Collectors' Accounts.
Jane Manson	48 0 0	Ditto	1 May, 1873	First Clerk, Pay Branch, Treasury.
Thomas Adams	155 0 0	Ditto	1 Jan., 1874	Matron, Hospital for the Insane, Gladsville.
George A. Gordon.....	225 0 0	Ditto	1 Feb., 1874	Overseer, Government Printing Office.
Martha Betts	60 2 8	Ditto	1 Jan., 1875	Police Magistrate, Deniliquin.
Jasper Creagh	49 11 8	Ditto	16 Mar., 1875	Matron, Protestant Orphan School.
			1 Feb., 1875	Clerk of Petty Sessions, Wingham.

¹ Colonial Secretary to 20 December.² In receipt of a Pension under Supplement to Schedule B.

Pensions in abeyance.

John James Allman	250 0 0	Governor and Executive Council.	Police Magistrate, Goulburn.
Thomas Cade Battley	84 11 8	Ditto	Clerk of Petty Sessions, Gosford.

Paid from the Customs Superannuation Fund.

John L. Deane	100 0 0	The Lords of the Treasury	1 July, 1853	Late 1st Landing Waiter, Customs, Sydney.
Charles L. Neville.....	110 0 0	Ditto	1 July, 1853	Formerly 2nd Landing Waiter, do. do.
John Bramwell ¹	54 15 2	Ditto	1 May, 1859	Late do. do. do.
¹ David Nash ²	54 15 2	Ditto	1 May, 1859	Warehousekeeper, do. do.

¹ In receipt of a Pension also from the Consolidated Revenue Fund.² To the 28th February—deceased.

Paid by the Commissariat from Imperial Funds, "Convict Service."

John M'Lean.....	191 0 0	The Lords of the Treasury	1 Jan., 1856	Late Principal Superintendent of Convicts.
Daniel Geary	18 5 0	Ditto	1 April, 1851	As a Constable, Office of Principal Superintendent of Convicts.

Name of the Party.	Amount of Pension.	Authority under which the Pension was granted.	Date from which the Pension commenced.	Service for which the Pension was granted.
PENSIONS—continued.				
Paid from the Police Reward and Police Superannuation Funds.				
John Harris	3/1½ Ψ diem	Governor and Executive Council.	1 Sept., 1856	Late Constable in the Police.
Thomas M'Gee	45 0 0	Ditto	1 May, 1855	" Chief Constable.
Ann Kendall	40 0 0	Ditto	1 Jan., 1856	Widow of the late Chief Constable Kendall, Penrith.
Thomas J. Powell	2/3 Ψ diem	Ditto	1 Jan., 1856	Late Inspector of Water Police.
John Marsh	2/- "	Ditto	1 Dec., 1852	" District Constable.
James Egan	2/9 "	Ditto	1 April, 1857	" Ordinary Constable.
Elizabeth Murphy	50 0 0	Ditto	4 Jan., 1858	Widow of the late Chief Constable Peter C. Murphy, Port Macquarie.
Louisa Codrington	18 5 0	Ditto	1 July, 1858	Widow of the late Trooper Robert Codrington.
Michael Murphy	3/1 Ψ diem	Ditto	8 Feb., 1859	Late Ordinary Constable.
Robert M'Janett	123 6 8	Ditto	1 Jan., 1859	" Chief Constable.
James Perry	3/7 Ψ diem	Ditto	10 April, 1859	" Trooper, Sydney.
Michael Cassidy	4/6 "	Ditto	1 Feb., 1859	" Sergeant in the Gold Police, Bathurst.
Ann Watham	26 0 0	Ditto	1 Jan., 1859	Widow of the late District Constable John Watham, Casino.
Edward Giles	7/8 Ψ diem	Ditto	1 July, 1859	Late Sergeant-Major, Western Gold Police.
Michael Reilly	3/10 "	Ditto	1 Sept., 1859	" Ordinary Constable, Wellingrove.
Julia Ledgerwood	40 0 0	Ditto	11 Oct., 1859	Widow of the late Ordinary Constable William Ledgerwood, Newcastle.
William Kershaw	5/6 Ψ diem	Ditto	1 July, 1860	Late Sergeant, Mounted Patrol, Western Road.
Thomas Handcock	3/3 "	Ditto	1 July, 1860	" Trooper, "
John Cannon	3/7 "	Ditto	7 Feb., 1861	" Ordinary Constable. "
Margaret Wood	62 10 0	Ditto	7 Jan., 1855	Widow of the late Chief Constable Wood, Maitland.
Samuel B. Horne	116 0 0	Ditto	1 Mar., 1862	Late Chief Constable.
Frederick Williams	146 0 0	Ditto	1 Mar., 1862	" Ordinary Constable.
George Drury	90 0 0	Ditto	1 Mar., 1862	" Chief Constable.
Thomas Hildebrand	123 0 0	Ditto	1 Mar., 1862	" "
John Lee	97 0 0	Ditto	1 Mar., 1862	" District Constable.
Robert Handcock	94 0 0	Ditto	1 Mar., 1862	" Mounted Trooper.
Charles Lane	3/4 Ψ diem	Ditto	1 May, 1862	" Senior Constable, Newcastle.
John Sherman	126 0 0	Ditto	1 May, 1862	" Senior Sergeant.
Abraham Kershaw	6/4 Ψ diem	Ditto	1 July, 1863	" " Goulburn.
John Thomas	4/1 "	Ditto	6 Nov., 1862	" Chief Constable, Kempsey, M'Leay River.
Eliza Watson	20 0 0	Ditto	1 May, 1862	Widow of the late Ordinary Constable Thomas Watson, Maitland.
John Micklegun	5/4 Ψ diem	Ditto	1 Mar., 1862	Late District Constable, Carcoar.
James Farrant	3/- "	Ditto	1 July, 1863	" Ordinary Constable, Mudgee.
Roger Kennedy	3/4 "	Ditto	10 June, 1862	" Senior Constable, Maitland.
Peter Connolly	3/4 "	Ditto	5 June, 1862	" Senior Constable, Dungog.
John Davis	50 0 0	Ditto	11 Mar., 1862	" Chief Constable, Wollongong.
Edward Kedwell	3/- Ψ diem	Ditto	1 May, 1862	" Ordinary Constable, Maitland.
George Taylor	3/- "	Ditto	1 Oct., 1862	" Ordinary Constable, Port Macquarie.
Ann Foy	30 0 0	Ditto	1 July, 1863	Widow of the late John Foy, District Constable, Tabulam.
John Stafford	5/6 Ψ diem	Ditto	19 Jan., 1864	Late Sergeant.
William S. Dangar	3/- "	Ditto	1 July, 1863	" Ordinary Constable, M'Leay River.
Norman M'Beath	3/- "	Ditto	19 Jan., 1864	" Ordinary Constable, Mudgee.
James Skelton	70 0 0	Ditto	1 Jan., 1864	" Chief Constable, Albury.
James St. Clair	6/- Ψ diem	Ditto	18 May, 1864	" Senior Sergeant, Gundagai.
Octavius Smith	3/- "	Ditto	1 April, 1864	" Ordinary Constable, M'Leay River.
Patrick Cain	3/- "	Ditto	22 Sept., 1864	" Trooper.
Mrs. Maginnity	*100 0 0	Ditto	24 June, 1864	Widow of Sergeant Maginnity.
R. Gorman	4/6 Ψ diem	Ditto	22 Sept., 1864	Late Ordinary Constable.
James Gibson	4/9 "	Ditto	12 Jan., 1865	" Senior Sergeant.
Martin Doyle	3/- "	Ditto	24 Feb., 1866	" Ordinary Constable.
E. H. Cowell	4/9 "	Ditto	6 Oct., 1866	" Senior Sergeant.
Thomas Hogg	200 0 0	Ditto	23 June, 1867	" Sub-Inspector.
Thomas Briggs	3/- Ψ diem	Ditto	7 Feb., 1868	" Ordinary Constable.
Jeremiah Frewin	†3/6 "	Ditto	14 May, 1868	" Sergeant.
Oliver Rae	3/- "	Ditto	14 May, 1868	" Ordinary Constable.
James Roberts	3/- "	Ditto	22 Aug., 1868	" "
Thomas Moss	3/- "	Ditto	22 Aug., 1868	" "
Michael Reilly	3/- "	Ditto	22 Aug., 1868	" "
Henry Turner	3/- "	Ditto	7 Nov., 1868	" "
Francis Rooney	4/1 "	Ditto	7 Nov., 1868	" "
Samuel Sneyd	142 10 0	Ditto	24 Nov., 1868	Formerly Chief Constable.
John Buckley	4/9 Ψ diem	Ditto	1 May, 1869	Late Senior Sergeant.
Adam Ballantyne	3/- "	Ditto	1 May, 1869	" Constable.
Thomas Kelly	3/4 "	Ditto	1 May, 1869	" Senior Constable.
James M'Hale	3/4 "	Ditto	8 July, 1869	" Constable.
George Lamont	3/4 "	Ditto	20 May, 1870	" Ordinary Constable.
Edward Bruce	3/- "	Ditto	16 Nov., 1870	" "
Christopher Carnes	3/- "	Ditto	16 Nov., 1870	" "
Elizabeth Nelson	15 0 0	Ditto	1 Jan., 1871	Widow of late Constable Nelson.
John Sheaves	3/- Ψ diem	Ditto	3 Mar., 1871	Late Ordinary Constable.

* Reduced to £30 from 24 June, 1874.

† Reduced to 2s. a day from 1 June, 1871—Chief Warder, Goulburn Gaol.

NEW SOUTH WALES—1878.

141

Name of the Party.	Amount of Pension.	Authority under which the Pension was granted.	Date from which the Pension commenced.	Service for which the Pension was granted.
	£ s. d.			
PENSIONS—PAID FROM THE POLICE REWARD AND POLICE SUPERANNUATION FUNDS—continued.				
James Smith	3/- $\frac{1}{2}$ diem	Governor and Executive Council.	17 July, 1871	Late Ordinary Constable.
John Callaghan	3/- "	Ditto	28 May, 1872	" "
Lawrence Dwyer	4/1 "	Ditto	28 May, 1872	" Sergeant, 2nd Class.
Mark Price	3/- "	Ditto	21 Aug., 1872	" Ordinary Constable.
Patrick Donoghue	3/- "	Ditto	22 Nov., 1873	" "
John A. Henderson	3/3 "	Ditto	21 Nov., 1873	" Senior Constable.
John Murray	3/- "	Ditto	10 July, 1873	" Ordinary Constable.
William Green	4/9 "	Ditto	1 Jan., 1873	" Senior Sergeant.
James Nolan	4/- "	Ditto	15 Sept., 1873	" Ordinary Constable.
John Pagett	4/4 "	Ditto	16 Sept., 1873	" Senior Constable, 2nd Class.
William Smith	4/- "	Ditto	22 Nov., 1873	" Ordinary Constable.
George Eagar	3/- "	Ditto	9 Feb., 1874	" "
James Potter	3/3 "	Ditto	13 Dec., 1874	" Senior Constable, 2nd Class.
James Thompson	3/- "	Ditto	19 Feb., 1874	" Senior Constable.
George Brooks	6/8 "	Ditto	20 Aug., 1875	" Senior Sergeant.
Benjamin Johnson ¹	5/- "	Ditto	2 Nov., 1875	" Senior Sergeant.
James M'Kay	5/- "	Ditto	20 Aug., 1875	" Senior Constable.
Catherine Bannon	2/- "	Ditto	9 April, 1875	Widow of late Constable Bannon.
E. Broomfield	3/9 "	Ditto	16 Feb., 1876	Late Senior Constable.
William Cook	3/9 "	Ditto	13 May, 1876	" "
H. Garvin	£250 $\frac{1}{2}$ ann.	Ditto	1 July, 1876	" Sub-Inspector.
T. Graham	3/6 per diem	Ditto	1 Sept., 1876	" Constable.
E. Goldrick	4/4 "	Ditto	6 Dec., 1876	" Sergeant.
Robert Mayne	4/4 "	Ditto	13 May, 1876	" Constable.
D. M'Kee	3/9 "	Ditto	1 Sept., 1876	" Senior Constable.
T. Sullivan	3/3 "	Ditto	1 Sept., 1876	" Constable.
M. Tierney	2/- "	Ditto	13 May, 1876	" "
George Wyatt	4/4 "	Ditto	15 June, 1876	" "
R. Walker	3/6 "	Ditto	6 Dec., 1876	" "
John F. Lane	6/8 "	Ditto	9 Oct., 1877	" Senior Sergeant.
James Levick	3/3 "	Ditto	16 Feb., 1876	" Ordinary Constable.
Thomas Leonard	3/3 "	Ditto	19 Feb., 1877	" "

¹ Resumed duty 1 April, 1876.

FOREIGN CONSULS.

RETURN of CONSULS of FOREIGN COUNTRIES residing in NEW SOUTH WALES in the Year 1878.

Name of Consul.	Name of the Country which he represents.	If confirmed, state the date of his Exequatur.	Remarks.
Comte de Castlenau (C) (To 22 Nov.) ... }	France	} Absent. } Absent. } Provisionally recognized.
Charles Lacathonde La Forest (A.C.) ... }	Belgium	
Octavius Levi Montefiore (C)	German Empire	18 October, 1872.	
Carl Ludwig Sahl (C)	Italy	
Thomas Fitzgerald (C.A.)	United States of America	
James H. Williams (C)	Chili	6 March, 1857.	
Don Guillermo E. Eldred (C)	Denmark	29 June, 1866.	
Anton Tange (C)	Netherlands	
Francis Macnab (C)	Spain	
Henry Moore (V.C.)	Brazilian Nation	
Robert Peel Raymond (V.C.)	Sweden and Norway	
William Wolfen (C)	Russia	
Alfred Hilder (V.C.)	Hawaiian Islands	1874.	
Edmund Monson Paul (C)	Portugal	29 Dec., 1870.	
Edward Reeve (C.G.)	Peru	2 March, 1877.	
Alexander Speed Webster (C.)	Austria-Hungary	
Ernest Octavius Smith ... { (V.C.)	Swiss Confederation	10 February, 1876.	
Andrew Henry Julius Baass (C.)			
John C. H. Baass (V.C. from 1 Mar., 1877) }			
Otto Meyer (A.V.C. from 20 May, 1878) }			
Auguste Parrot (C.)			
AT NEWCASTLE.			
Carlos Kramer Walter (V.C.)	Spain	
James Cole Ellis (V.C.)	German Empire	16 May, 1873.	
John Rayden Bingle ... { (V.C.)	Netherlands	
George Tully (C.A.)	Italy	
Robert Barclay Wallace (V.C.)	France	
John Campbell Dibbs ... { (V.C.)	Sweden and Norway	
Ernest Augustus White { (C.)	Denmark	
..... { (A.C.)	Chili	
..... { (C.)	Hawaiian Islands	
..... { (C.A.)	Belgium	

(C.G.) Consul General.

(C.) Consul.

(V.C.) Vice-Consul.

(C.A.) Consular Agent.

(A.C.) Acting Consul.

(A.V.C.) Acting Vice-Consul.

BLUE BOOK OF
RETURNING OFFICERS.

RETURN of RETURNING OFFICERS in the Year 1878, and Dates of Appointment.

Electoral District.	Name.	Date when appointed.	Electoral District.	Name.	Date when appointed.
Argyle	Andrew Gibson Finlay	17 Feb., 1872.	The Murray	Alexander Landale	25 Oct., 1877.
Balranald	John Clark Bowden	2 Oct., 1877.	The Murrumbidgee	Harry Berkeley Fitzhardinge	25 Sep., 1877.
Bathurst	John Findlater Clements	23 Mar., 1876.	Narellan	Edward Palmer.....	24 Mar., 1859.
The Bogan.....	George Henry Taylor	8 Nov., 1872.	The Nepean	John King Lethbridge.....	4 Dec., 1863.
Braidwood	John William Bunn.....	16 Nov., 1864.	Newcastle	Francis James Shaw.....	4 May, 1869.
Camden	John Macquarie Antill	10 Mar., 1876.	New England	George Allingham	26 May, 1876.
Canterbury	Frederick Joseph Underwood	15 Feb., 1876.	Newtown	William Bailey	4 April, 1873.
Carcoar	James Lithgow Cobb	28 June, 1867.	Northumberland ..	Charles Boscawen Ranclaud	27 Nov., 1860.
The Clarence.....	Alfred Lairdner.....	17 May, 1859.	Orange	James Dale	1 Feb., 1871.
Central Cumberland	Charles Ambrose Scrivener ...	11 April, 1876.	Paddington	Henry Beckman Morgan.....	24 Mar., 1859.
Eden	Solomon Solomon.....	12 Dec., 1864.	Parramatta	John Golledge... ..	1 Dec., 1870.
The Glebe	Thomas Stephenson Rountree	17 April, 1873.	The Paterson.....	George Jackson Frankland ...	13 June, 1876.
Goulburn	William Conolly	27 April, 1860.	Patrick's Plains ...	John Crichton Stuart M'Douall.	24 Mar., 1859.
The Gwydir	Alfred John Doyle	12 Mar., 1877.	Queanbeyan	Thomas Parr.....	27 Feb., 1877.
Hartley	Charles George Norris.....	25 Oct., 1876.	St. Leonards.....	Isaac Ellis Ives.....	25 Sept., 1877.
	succeeded by				
	John Lawrence Brown.....	29 Nov., 1878.	Shoalhaven	Zaccheus Glanville Bice	22 Oct., 1877.
The Hastings	John Lowry Ruthven	23 Mar., 1876.	East Sydney	Archibald Thompson	23 July, 1869.
The Hawkesbury ...	James Bligh Johnston	29 Oct., 1866.	West Sydney	John Williams.....	17 Sept., 1868.
The Hume	Lewis Solomon	7 Dec., 1869.	Tenterfield	Charles Alfred Lee	23 Mar., 1874.
The Hunter	John Lee	6 Feb., 1872.	Tumut	Rowland Mansfield Shelley...	27 Feb., 1877.
The Lower Hunter	John Riddell Fenwick	3 May, 1876.	Wellington	Robert Rygate	20 Feb., 1871.
The Upper Hunter	Alexander Johnston.....	17 Feb., 1876.	The Williams	William Henry Holmes	3 July, 1873.
Illawarra	Francis Peter M'Cabe	25 Oct., 1876.	Windsor	Robert Dick	18 Sept., 1873.
Kiama	David Lindsay Waugh	9 Aug., 1860.	Wollombi	Alfred Elliott.....	2 Oct., 1877.
The Lachlan	William Douglas Campbell...	13 Nov., 1860.	Yass Plains	John Fraser Gray.....	14 Dec., 1871.
Liverpool Plains ...	John Gill	1 Mar., 1867.	Gold Fields North	Francis Hollis Woods	24 Nov., 1874.
East Macquarie.....	William Morgan, Junior	27 May, 1872.	Gold Fields South	Richard Wicksted Perkins ...	18 Oct., 1870.
West Macquarie ...	Alfred John Peechy.....	11 Dec., 1874.	Gold Fields West...	Denis Donnelly.....	19 Dec., 1865.
East Maitland	James Nixon Brunker	29 Jan., 1869.	University of Sydney	*Sir Edward Deas Thomson ^b succeeded by Sir William Montagu Manning. ^a	
West Maitland	James Ephraim Wolfe.....	4 April, 1873.			
Monaro	Frederick Blaxland	23 Dec., 1876.			
Morpeth.....	Jas. Brand Richie Robertson	12 Jan., 1869.			
Mudgee	William Richard Blackman	28 Feb., 1877.			

^aChancellor. Returning Officer *ex officio* under 22 Vic. No. 20.

^bTo 18 March.

AGREEMENTS VALIDATING OFFICERS.

RETURN of AGREEMENTS VALIDATING OFFICERS, for the year 1878.

Office.	Name.	Date of Appointment.	By whom appointed, and under what Instrument.	Annual Salary.	Date of first Appointment under the Colonial Government.			
GERMANY.								
Berlin	Eduard Franck	6 May, 1876	Governor and Executive Council, by Commission. (Under Act 39 Victoria, No. 29.)	A Fee of 5s. is allowed for certifying agreement in the case of each person.				
Bremen	Heinrich Loffler	6 May, 1876						
NEW ZEALAND.								
Auckland	David B. Cruickshank.....	25 May, 1876						
Christchurch	Harold Selwyn Smith.....	9 June, 1876						
Dunedin	James A. Walcott	12 Oct., 1877						
QUEENSLAND.								
Cooktown	John Walsh	6 May, 1876						
SOUTH AUSTRALIA.								
Adelaide	William Russell Hunt.....	2 Aug., 1876						
SWITZERLAND.								
Geneva	Louis Chapalay	29 Sept., 1876						
TASMANIA.								
Hobart Town.....	Luke Richard Castray ...	29 Jan., 1877						
UNITED KINGDOM.								
England—								
Liverpool	William Gracie.....	15 Sept., 1876						
London	Andrew Abercrombie Jopp ¹	6 May, 1876						
Do.	Harry, Howe Speed-Andrews. ²	6 May, 1876						
Ireland—								
Belfast.....	Henry Atkinson	25 May, 1876						
Cork.....	John George M'Carthy ...	25 May, 1876						
Scotland—								
Aberdeen.....	Charles Duncan	9 June, 1876						
Glasgow	Alexander Stuart.....	6 May, 1876						
UNITED STATES OF AMERICA.								
Boston.....	William Henry Wilkinson	25 May, 1876						
New York	Roderick William Cameron	6 May, 1876						
San Francisco	J. C. Merrill.....	6 May, 1876						
VICTORIA.								
Melbourne	William Wilmot Couche...	31 May, 1876						

¹ Secretary to the Agent General for the Colony of New South Wales.² Emigration Agent to the Agent General for the Colony of New South Wales.

NOTE.—Statements of current rates of wages, house-rent, food, and clothing are supplied monthly to officers in the United Kingdom by the Agent General for the Colony, and to all others, by the Immigration Agent, Sydney.

GUARDIANS OF MINORS.

RETURN of Gentlemen appointed, under the 11th section of the Act of Council 19th Victoria, No. 30, as GUARDIANS OF MINORS, to give consent in cases of Marriage in the Colony.

ALBURY— Marcus Freeman Brownrigg. George Grey. Jeffrey James Keatinge. J. L. Carey. Robert Lowes. Michael Langford.	DUBBO— John Ryrie. Walter Hugh Tibbits. Jean Emile Serisier. Walter Flood. John Egan. Harris Cohen.	MURRURUNDI— Andrew Loder. Phillip W. Wright.	SOFALA— Whittingdale Johnson. Joseph Walford. Henry Hinton.
ARMIDALE— James Buchanan. Charles William Marsh. Thomas Augustus Perry.	DUNGOG— George M'Kay.	MUSWELLBROOK— James White. John Hudson Keys.	SYDNEY— Edmund Fosbery, Inspector General of Police. John Milbourne Marsh, Water Police Magistrate. David Charles Frederick Scott, Central Police Office James Sheen Dowling. Edward Grant Ward, Registrar General. Charles Cowper, Sheriff.
BALRANALD— Stephen Cole—Euston. William Ross—Meilman. Richard B. Mitchell.	EDEN— John Lloyd. Henry Wren. George Plunkett Keon.	NARRABRI— Thomas G. Dangar. Andrew Doyle. Charles Edward Smith.	TAMBAROORA— Joseph Whitehead Lees.
BATHURST— William Hall Palmer. James Byrne Richards. Benjamin Lee, junr.	FOBBES— Josiah Strickland. Frederick Dalton.	NEWCASTLE— Edward C. Merewether. Charles B. Ranclaud. Helenus Scott. Richard Maunsell.	TAMWORTH— David W. Irving. P. G. King. James Rigney. T. A. Johnston—Gunnedah. D. H. Dunlop—Gunnedah.
BEEBEMA— Charles Lindsay Nicholson.	GOULBURN— John Allman. Charles S. Alexander.	NUNDELE— George Douglas.	TENTERFIELD— James B. Graham.
BURROWA— Edgar Beckham. Cornelius O'Brien. William Douglas Campbell. Charles Sanderson—Grenfell. David Pyne—Grenfell. Robert M. Vaughan—Grenfell.	GRAFTON— Rowland Broadhurst Hill. Edward Michael Ryan. Thomas Bawden.	ORANGE— John Tom Lane. John Arthur Templar.	TUMUT— Levi Mandelson. Frederick W. Vyner.
BOMBALA— William Graham. John Nicholson.	GUNDAGAI— A. Broughton. A. C. S. Rose. William Love.	PATERSON— C. Boydell. Edward Gostwyck Cory. William Barker Boydell.	ULLADULLA— David Warden. Percy Hale Sheaffe.
BOURKE— James Foott. Alexander Ogilvie Grant. Robert Maurice Hughes.	GUNNING— Henry Saxby.	PATRICK'S PLAINS— Henry Glennie. Robert Adamson Rodd.	WAGGA WAGGA— Henry Bayliss. John Gordon. John Leitch. John Lupton.
BRAIDWOOD— Robert Maddrell. William John Bennison. Thomas Lake Crommelin.	HARTLEY— Andrew Brown. Thomas Brown. John Delany.	PENRITH— William Russell. John King Lethbridge.	WALGETT— Edward J. Sparke. Charles John Horsley.
BRISBANE WATER— Hovenden Hely. Boyd Horsburg.	HAY— Joseph Ede Pearce. William Browne.	PICTON— John Macquarie Antill.	WARRIALDA— Alfred Augustus Adams. Hugh Rowland Labatt. F. Wyndham.
BROULEE— William Truman Collett. Gordon Forbes Davidson.	INVERELL— Colin Ross.	PORT MACQUARIE— Donald M'Donald. Charles A. Sinclair.	WELLINGROVE— W. W. Fraser. Angus John M'Innes.
CAMPBELLTOWN— John Bray. Thomas Chippendale.	KIAMA— James Mackey Gray. John Marks. David L. Waugh.	PORT STEPHENS— Thomas Nicholls.	WELLINGTON— R. T. B. Gaden.
CARCOAR— Lawrence Vance Dulhunty. Thomas Icely. William Montague Rothery.	LIVERPOOL— Richard Sadleir, R.N. Nathaniel George Bull.	QUEANBEYAN— Henry Hall. William Foxton Hayley. Frederick Brown Russell.	WINDSOR— James Ascough. Robert Dick.
CASSILIS— William Busby.	MAITLAND— Peter Green. James Smith. John Lee. G. W. F. Addison.	RAYMOND TERRACE— Archibald Windeyer. Chas. R. Middleton.	WOLLOMBI— Henry Chester Master. James Norton Brooks. Henry Gordon.
CLARENCE TOWN— William Lowe.	MANNING RIVER— Henry Flett. Henry J. Cornish. James C. Duff.	RICHMOND RIVER— Wellington C. Bundock. Charles Hugh Fawcett. Alexander Mackellar. Johnson George King.	WOLLONGONG— Charles Fairs. George Waring. Alfred Allaston Turner.
COOMA— Robert Barrington Dawson. Elihu Body.	MACLEAY RIVER— Frederick William Chapman. Robert A. H. Kemp. James H. Kemp. William M'Lean. John Bartholomew Casey.	RYDE— John Blaxland.	YASS— Isidore Maurice Blake. Allan Campbell.
COONABARABRAN— Frederick W. Edwards.	MENINDIE— Rudolf R. Morisset.	RYLSTONE— Edward K. Cox. George Robertson Maclean. William Wield Armstrong.	YOUNG— George O'Malley Clarke.
DENILIQUIN— Lawrence Cockburn. William Rawlins. George Augustus Gordon. James Mair.	MOLONG— William Cousins. Francis Smith.	SCONE— James Smith. John Garrett. John Mildred Creed.	
	MORPETH— Osman E. Middleton.	SHOALHAVEN— Alfred Elyard.	
	MUDGEE— Robert Lowe. W. D. Meares. Thomas Alexander Browne— Gulgong.		

STATISTICAL REGISTER

OF

New South Wales,

FOR THE YEAR

1877,

COMPILED FROM OFFICIAL RETURNS IN THE REGISTRAR GENERAL'S OFFICE.

Presented to both Houses of Parliament by Command.



SYDNEY:

BY AUTHORITY: THOMAS RICHARDS, GOVERNMENT PRINTER, PHILLIP-STREET.

1878.

AUSTRALASIAN COLONIES.

STATISTICAL RETURN showing the relative positions and aggregate importance of the Australasian Colonies, at the close of the Year 1877.

NAME OF COLONY.	Estimated Mean Population of 1877.	Revenue of 1877.	Proportion of Revenue of 1877, raised by Taxation.	Rate of Taxation per head of Population.	Value of Imports for 1877.	Value of Imports per head of the Population.	Value of Exports for 1877.	Value of Exports per head of the Population.	Total Value of Trade, Imports, and Exports.	Value of Trade per head of the Population.	Miles of Railway Open, 31 Dec., 1877.	Miles of Railway in course of Construction, 31 Dec., 1877.	Miles of Telegraph Lines Open, 31 Dec., 1877.	Miles of Telegraph Wire Open, 31 Dec., 1877.	Miles of Telegraph in course of Construction, 31 Dec., 1877.		No. of Acres under Crop in 1877.	No. of Horses in 1877.	No. of Cattle in 1877.	No. of Sheep in 1877.	No. of Pigs in 1877.	Estimated Population on 31 Dec., 1877.	Public Debt on 31 Dec., 1877.	Rate of Indebtedness per head of Population.
															Length of Lines.	Length of Wire.								
New South Wales	645,994	£ 5,748,245	£ 1,235,021	£ s. d. 1 18 2½	£ 14,606,594	£ s. d. 22 12 2½	£ 13,125,819	£ s. d. 20 6 4½	£ 27,732,413	£ s. d. 42 18 7	* 643	217½	6,000	9,761	^b	1,758	546,556	328,150	2,746,385	20,962,244	191,677	662,212	£ 11,724,419	£ s. d. 17 14 1
Victoria	849,870	4,723,877	1,770,685	2 2 2½	16,362,304	19 5 0½	15,157,687	17 16 8½	31,519,991	37 1 9½	931	193	2,885	5,200	44	45	1,420,502	203,150	1,174,176	10,114,267	183,391	860,787	17,018,913	19 15 5
South Australia... ..	231,383	1,441,401	499,885	2 3 2½	4,625,511	19 19 9½	4,626,531	19 19 10½	9,252,042	39 19 8½	327	404	4,061	5,153	100	320	1,828,115	110,684	230,679	6,098,359	104,527	237,090	4,737,200	19 19 7½
Queensland	195,092	1,436,581	609,860	3 2 6½	4,068,682	20 17 1½	4,361,275	22 7 1½	8,429,957	43 4 2½	357	168	5,033	6,778	99,891	140,174	2,299,582	6,272,766	52,371	203,084	7,685,350	37 16 10
Tasmania	106,294	361,771	236,777	2 4 6½	1,308,671	12 6 2½	1,416,975	13 6 7½	2,725,646	25 12 10	172½	621	843	55	55	131,013	22,195	126,882	1,818,125	55,652	107,104	1,589,705	14 16 10
Western Australia	27,579	165,413	81,268	2 18 11	362,707	13 3 0½	373,352	13 10 9	736,059	26 13 9½	68	25	1,567½	50,591	30,691	52,057	797,156	18,942	27,838	161,000	5 15 8
Total	2,056,212	13,877,288	4,433,496	2 3 4	41,334,469	20 2 0½	39,061,639	18 19 11½	80,396,108	39 1 11½	2,498½	1,007½	20,167½	27,735	2,178	4,076,668	835,044	6,629,761	46,062,917	606,560	2,098,115	42,916,587	20 9 1
New Zealand	408,348	3,916,023	1,343,944	3 5 9½	6,973,418	17 1 6½	6,327,472	15 9 10½	13,300,890	32 11 5½	954	219	3,307	7,530	^e 641,833	^h 99,859	^h 494,917	^h 11,704,853	^h 123,921	¹ 417,622	¹ 20,691,111	49 10 10½
Total for Australasian Colonies	2,464,560	17,793,311	5,777,440	2 7 0½	48,307,887	19 12 0½	45,389,111	18 8 4	93,696,998	38 0 4½	3,452½	1,226½	23,474½	^k 35,265	2,178	4,718,501	934,903	7,124,678	57,767,770	730,481	2,515,737	63,607,698	25 5 8

^a Includes a private line of Railway, 45 miles in length.^b Could not be ascertained.^c For Financial year ended 30 June.^d The mean population for the year 1876-7 has been used, viz., 839,493.^e There are also 5,158 acres in Fallow, making the total under *cultivation*, 105,049 acres.^f Not stated in Return received from this Colony.^g Exclusive of land in sown grasses (including hay, 45,090 acres),

the acreages of which were as follow:—In grass, after having been broken up, 1,077,454. In grass, not previously ploughed, 1,531,385 acres.

^h At the time the last Census was taken in March, 1874.ⁱ This estimate is a little over 3,000 in excess of the ascertained population on 3rd March, 1878; the difference being probably caused by unascertained departures from the Colony since the Census of 1874.^j As the invested Sinking Fund

amounted to £1,438,838, the total debt should be reduced by that amount to exhibit the net liability.

^k The information for Western Australia is not included.

THE REGISTRAR GENERAL'S REPORT TO THE HONORABLE THE
COLONIAL SECRETARY.

Registrar General's Department,
Sydney, 20 August, 1878.

Sir,

The greater portion of the Statistical Returns having been received and placed in the hands of the printer, I do myself the honor to submit the following Report for the year ended 31st December, 1877.

I have to call your special attention to the great difficulty of procuring the necessary Returns for the publication of the Statistical Register in anything like a reasonable time. We have now entered the eighth month of the year 1878, and yet there is information for the past year not yet supplied from two or three of the Departments. I am satisfied that if the head of each Department would insist on a compilation of returns at stated periods of the year, the Statistics could be made public at a much earlier date. I also bring under your notice the present mode of collecting the Agricultural and Live Stock Returns. Some of the details are inaccurate and misleading, besides entailing much labour and causing great delay in publication. The general totals, as also the totals of each District, may be relied on as correct. On this subject, however, I purpose going more into detail on a future occasion.

PART I.

POPULATION, IMMIGRATION, VITAL STATISTICS, &c.

The estimated population of the Colony on the 31st December, 1877, was 662,212 persons, which makes an addition during the year of 32,436 persons, or 5·15 per cent. The estimated number of the sexes was as follows:—Males, 367,323, females, 294,889, so that the former were 72,434 in excess of the latter. The percentage of males to total population was 55·47, and of females 44·53, showing a difference of 10·94 in favour of males, which figures are 0·46 higher than those for the previous year. The proportion of males per 1,000 of population was 555, and of females 445. The following figures show the increase for each half year:—

Half-year ending 30th June, 1877:

Births	11,457	Deaths	5,502
Arrivals by sea	18,255	Departures by sea.....	10,574
Total.....	29,712	Total.....	16,076

showing a net increase of 13,636 persons, and bringing the estimated population to 643,412 persons.

Half-year ending 31st December, 1877.

Births	12,394	Deaths	4,367
Arrivals by sea	20,373	Departures by sea.....	9,600
Total.....	32,767	Total.....	13,967

showing a net increase of 18,800 persons, and making our estimated population to number 662,212 persons.

Marriages,
Births, Deaths.

The registers show that during the year 1877 there were 4,994 marriages celebrated, being an increase of 364 on the previous year. The number of births registered was 23,851, as against 23,298 in the year preceding, giving an addition of 553 births to the year under consideration. Registered deaths numbered 9,869, which are fewer by 1,324 than those for the previous year.

Marriages.

From the number of Marriages celebrated during the year 1877, we find that the rate per 1,000 of estimated population was 7·76, which figures show that the average for the previous nine years has been a little more than fully sustained. Marriages celebrated in the City numbered 1,343, which gives a rate of 13·81 to estimated population. The number of Suburban marriages was 556, which amount to 7·21 per 1,000; and 3,095 was the number for the Country Districts, making 6·58 per 1,000. The City rate is 1·18 lower than the average of the previous nine years; that for the Suburbs is higher by 2·19 than the previous nine years' average, and also higher by 0·95 than any single year of the same period. The Country Districts show a rate of 1·08 in excess of the average of the previous nine years. Of the total number of marriages we find that the Church of England celebrated 37·42 per cent.; Roman Catholic, 19·82; Presbyterian, 17·10; Wesleyan, 10·19; Primitive Methodist, 2·20; Congregational, 4·86; Baptist, 1·40; and Registrars, 6·07.

Births.

During the year 1877, we find that the total number of Births registered in the Colony was 23,851, viz., 12,292 males and 11,559 females, or 51·54 and 48·46 per cent. respectively. There were then 733 more male than female children. In the previous year the excess of male over female children was 1·22 per cent.; for the year under consideration it is 3·08 per cent. Of the total number of births 14·25 per cent. occurred in the City, 13·61 per cent. in the Suburbs, and 72·14 per cent. in the Country Districts. The birth rate of the Colony per 1,000 of estimated population for the year 1877 was 37·05, which is 0·70 lower than the previous year, and 2·16 below the average of the previous nine years. On referring to the decennial tables it will be seen that, with the exception of the year 1873, the birth rate of the Colony has been gradually on the decrease year by year. The City shows a birth rate of 34·95, which is lower by 0·53 than the preceding year, and 1·69 under the average of the nine previous years. In the Suburbs the birth rate for the year was 42·15, which is 0·76 higher than the previous year, but 1·61 lower than the nine previous years' average. The Country Districts show a birth rate of 36·67. Here again we find a decrease of 0·95 on the previous year, and 2·29 on the average of the previous nine years.

Deaths.

From the death registers for the year 1877, we learn that the rate of mortality was considerably lower than for the two preceding years. The number of deaths registered in the Colony was 9,869, as against 11,193 in the previous year. The percentage of male deaths to total deaths is 59·55, and of female deaths 40·45; the former being 19·10 per cent. higher than the latter. The death rate for the Colony per 1,000 is 15·34, which is 2·79 lower than the previous year; but 0·32 over the average of the nine years preceding. The average of daily rate of mortality is about 27. The rate for Sydney, for the year 1877, was 20·57, which is under the figures for the previous year by 6·13, and also for the average of the previous nine years by 2·42. The average daily rate for the City was 5·48. The Suburbs show a death rate of 17·15, and here we find a difference of 5·66 in favour of the year under consideration, as compared with the previous year, and 0·82 lower than the nine years' previous average. For the Country Districts the death rate was 13·95, which is lower by 1·64 than the previous year, but 1·06 higher than the average rate of the previous nine years. The consideration of these figures indicates that the past year has been an unusually healthy one, and that the greatest improvement is to be noticed in the City of Sydney.

Immigration.

The number of Immigrants who arrived in the Colony direct from the United Kingdom during the year 1877, was 6,757, which largely exceeds the figures for any one year of the decade. The increment to our population from this source for the year was nearly 60 per cent. over the previous nine years. From other countries the number of arrivals was 465. The total number of Immigrants at the public expense was 6,018, consisting of 2,892 males and 1,627 female adults, and 743 male and 756 female children. There were 739 immigrants at their own expense. The number who arrived at the public expense from England and Wales was 3,689 or 61·30 per cent.; Scotland, 418 or 6·95 per cent.; Ireland, 1,446 or 24·02 per cent.; and other countries

countries, 465 or 7·73 per cent. The religious belief of immigrants at the public expense is as follows:—Protestants, 4,554 or 75·67 per cent.; Roman Catholics, 1,403 or 23·31 per cent.; and other religions, 61 or 1·02 per cent. The arrivals from Great Britain by the mail steamers cannot be ascertained, as they only appear in the lists as from the Port of Departure of the vessel in which they arrive, therefore the foregoing numbers may be looked upon as arrivals by sailing vessels.

During the year 1877 there were 8 Institutions in operation for the treatment of Lunatics and Imbeciles, 7 of which are under the control of Government, and 1 is conducted by a private individual. We find that the total number of inmates on 31st December, 1877, was 1,836—consisting of 1,155 males and 681 females. The number of admissions during the year (inclusive of re-admissions, 115) was 797; of patients under care, 2,704; of those discharged as recovered, 209; and as relieved, 55. The deaths numbered 129. There were 340 patients passed through the Lunatic Receiving House at Darlinghurst. The total receipts for the year from the Government were £49,035. By a foot-note on page 15 it will be seen that the sum of £1,863 was received from relations and friends for maintenance, and paid into the Colonial Treasury.

The number of patients in the various Hospitals of the Colony at the end of the year 1877 was 544—comprising 428 males and 116 females. The admissions for the year numbered 5,678; and discharges 5,022; and there were 642 deaths recorded. There were also 9,844 persons who received out-door relief. The total receipts for the year amounted to £41,661, of which sum voluntary contributions show £21,133, and the Government provided £20,528.

These institutions, supported chiefly by the Government, provided for 1,869 adults and 420 children as admissions during the year. There were 1,537 adults and 383 children discharged; and 317 adults and 40 deaths of children. The number remaining at the end of the year was 1,289 adults and 191 children. The cost of maintenance to the Government was £23,961, and £1,891 were the proceeds of voluntary contributions.

Two of these institutions were in operation during the year, at a cost of £612, of which amount voluntary contributions provided £398, and the Government £214.

From the returns of these schools we find that the number of inmates on 31st December, 1877, was 1,848, consisting of 1,028 males and 820 females. The receipts for the year amount to £30,760, of which £24,032 were from the public purse, and £6,728 the result of contributions.

Under this head are 6 establishments, supported entirely by private contributions. 4 of them, the Home, Sailors' Home, Sydney Female Refuge, and Infants' Home, had the care of 1,577 inmates, of which number 1,431 were discharged, and 34 died, including 32 infants. The receipts of 3 of the institutions (the Sailors' Home not giving an account) amounted to £2,165, and the disbursements were £46 in excess of receipts. The City Night Refuge and Soup Kitchen gave during the year 67,800 meals, and afforded shelter in 34,076 instances; the receipts were £622, and expenditure £560. The House of the Good Shepherd rendered no return.

The total amount provided in relieving distress and in ameliorating the condition of the people during the year 1877 was £151,158; of which sum private contributions afforded £33,387.

On page 18 of the Statistics will be seen a decennial return of the average rates of wages for different classes of labour in the Colony; and on page 21 a like return of the average prices of provisions and clothing in Sydney. The average rates of wages obtained in the Colony for the year 1877, are as follows:—

	Without Board and Lodging.	With Board and Lodging.
Males		
Carpenters	10s. to 11s. per diem.	£80 to £104 per annum.
Smiths	9s. to 10s. "	£75 to £100 "
Wheelwrights	9s. to 10s. "	£70 to £100 "
Bricklayers... ..	10s. to 12s. " "
Masons	10s. to 12s. " "
Farm Labourers	£35 to £45 "
Shepherds	£35 to £45 "
Females.		
Cooks (plain)	£32 to £65 "
Housemaids	£26 to £40 "
Laundresses...	£32 to £45 "
Nursemaids	£20 to £35 "
General house-servants	£26 to £45 "
Farm house-servants, dairy-women, &c.	£26 to £39 "

PART

PART II.

RELIGION, EDUCATION, CRIME.

Churches and
Chapels.

The Ecclesiastical Returns for the year 1877 show that there were 1,186 Churches and Chapels, which is an increase of 36 on the previous year. The number of registered Ministers was 613 as against 611 in the previous year. The number of individual sittings had increased from 188,548 to 188,993, the average attendance from 155,762 to 158,815, and average attendance at all other places used for public worship from 35,258 to 38,406. The general total average attendance was 197,221, which is 6,201 in excess of the returns for the preceding year. The average attendance at five Churches with 250 sittings could not be obtained. The number of registered Ministers was as follows:—Church of England, 203; Roman Catholic, 161; Presbyterian, 81; Wesleyan Methodist, 88; Congregational, 32; Baptist, 13; Primitive Methodist, 14; Particular Baptist, 5; United Methodist Free Church, 4; and each of the other Churches under the last-named figure. The total amount paid during the year to the four Churches which receive aid from the Government, viz.:—Church of England, Roman Catholic, Presbyterian, and Wesleyan Methodist, which number 533 Ministers, was £22,355. This sum represents receipts as salaries and allowances, and also moneys derived from the Church and School Estates.

Sunday
Schools.

The number of these Schools in the Colony during the year 1877 was 1,121, showing an increase of 63 on the previous year. There were 7,615 teachers and 81,516 children on the registers. The average attendance being stated to be 62,037, or about 76 per cent. Distinguishing the sexes of teachers and children we find that 43·10 per cent. of the former class were males, and 56·90 per cent. females; and of the latter class 47·05 per cent. were males, and 52·95 per cent. females. Of the total number of children on the registers (81,516) we find that the Churches of England, Roman Catholic, Presbyterian, and Wesleyan Methodist claim 69,522, or 85·28 per cent. of the whole.

Private
Schools.

From the return showing the number of Private Schools in each Police District of the Colony for the year 1877, we learn that there were 565 of such Schools, which provided accommodation for 19,099 pupils, consisting of 8,292 males and 10,807 females. In the Metropolitan division alone there were 260 Private Schools, with 10,737 scholars. The total number of teachers employed during the year in all Private Schools was 1,067, viz.:—273 males and 794 females. The total increase on the figures of the previous year is as follows:—Schools, 22, Scholars, 669, Teachers, 51.

Orphan and
Industrial
Schools.

The number of children receiving instruction in these Schools was 1,324, consisting of 791 males and 533 females, under the charge of 20 teachers.

Council of
Education.
Public
Schools.

The total number of these Schools for the year 1877 was 939, being an increase of 47 on the previous year. Comparing the three classes of schools under the designation of Public Schools with the previous year we find that Public Schools had increased from 503 to 561. Provisional Schools had decreased from 279 to 266, and Half-time Schools were 2 in excess. There were 82,714 children under instruction, consisting of 43,926 males, and 38,788 females. The number of Teachers was 1,260, viz.:—Males, 745; females, 515. There were 70 more teachers than in 1876, and 6,759 more scholars. The total amount received during the year from voluntary contributions, fees, and other sources, was £47,754.

Denomina-
tional Schools

There were 178 Denominational Schools in the Colony in the year 1877, being 3 less than in the preceding year. Scholars numbered 34,538, viz.:—18,660 males and 15,878 females. The decrease in the number of scholars was 776. There were 202 male and 203 female teachers, in all 405, being 12 more than in the previous year. The sum of £18,856 was received from voluntary contributions, fees, &c.

The grand total amount paid by the Government from the Colonial Treasury and Clergy and School Estates Revenue Fund, during the year 1877, was £251,643, and that received as fees, &c., was £66,610, making in all the sum of £318,253.

Sydney Uni-
versity and
Colleges, &c.

The Sydney University shows a roll of 61 students and an income of £11,595, of which sum £5,000 was provided by the Treasury.

The Colleges of St. Paul and St. John number 6 and 11 students respectively, and their incomes amounted to £1,091 and £1,333 respectively, each receiving £500 from the Government. The number of students in St. Andrew's College was 17, with receipts amounting to £2,608, of which £2,247 was paid by the Government.

The

The Sydney Grammar School, with 401 scholars, had an income of £7,083, made up by £5,583, the proceeds of fees, and £1,500 from the Government.

The general total number of scholars (inclusive of private schools) for the year 1877 was 138,267, and the general total amount set apart for educational purposes was £371,838, which sum is exclusive of the cost of education for 19,099 scholars in private schools. The total increase on the year 1876 in the number of scholars was 6,647.

The return of the Academy of Art is for the twelve months ending 31st May, 1878. During this period it appears that the amount furnished by the Government in aid was £1,500, and that £24 was received as private contributions. The total sum expended by the Government on the Academy of Art amounts to £5,000. The number of students for the year is stated to be 38, viz. :—13 males and 25 females. Academy of Art.

The number of volumes, pamphlets, and parts in this Library was 32,753, of which number 26,772 were in the Reference Branch, and 5,981 in the Lending Branch. It is supported entirely by the Government. During the year 1877 the sum of £4,020 was expended in the purchase of books, &c. The total cost of this Library to the Government has been £23,685. Donations of books and objects to the end of the year 1877 numbered 1,900, of the estimated value of £1,220. The number of visits during the year to the Reference Library was 113,760, and to the Lending Branch 10,928, this portion being first opened on 3rd July of last year. Free Public Library.

The Return No. 34 shows the number of Schools of Art, Public Libraries, &c., in the Colony, with the date when first opened, whether freehold or leasehold, cost of erection, the amount received from Government and from private contributions, the number of volumes of books, and the number of visits paid during the year 1877. Schools of Art, Public Libraries, &c.

The amount expended in the erection of this building is £34,749. The receipts for the year 1877 from the Government amounted to £3,500, and the expenditure to £2,951, of which £1,632 went for purchases, and £1,319 in salaries and wages. There were 75,275 visitors during the year. Australian Museum.

The total number of cases for which committals were obtained to the Supreme and Circuit Courts of the Colony, during the year 1877, was 281, as against 338 in the previous year. There were 184 convictions and 97 acquittals. The number of committals to the Quarter Sessions for the year was 1,130, being an increase of 72 on the previous year. There were 899 trials, 633 convictions, and 266 acquittals. The total number of offences reported to the police during the year was 21,604, which shows an increase of 2,493 on the preceding year. The total number of persons brought before the Magistrates' Courts of the Colony in the year was 47,739, of which number 7,788 were discharged for want of prosecution, or for want of evidence; 5,431 were cases dismissed on the merits; 33,003 were summarily convicted, and 1,517 committed for trial. Crime.

PART III.

TRADE AND COMMERCE.

The Return of Imports and Exports of the Colony for the year 1877 shows that the general total value of Imports was £14,606,594, and of Exports £13,125,819, which is an excess of £1,480,775 of the former over the latter. As compared with the previous year we find that the value of Imports was in excess by £933,818, and of Exports by £121,878. Taking the estimated mean population* of the year it will be seen that Imports amounted to £22 12s. 2½d. per head, and Exports to £20 6s. 4½d. These figures give an increase on the preceding year of 9s. 10½d. per head on Imports, and a decrease of 14s. 3¾d. per head on Exports. Imports and Exports.

Imports from the *United Kingdom* amounted in value to £6,471,780, which is an increase of £708,247 on the figures of the previous year. The value of Imports from *British Colonies* was £6,903,952 as against £6,957,463, showing a decrease of £53,511 on the previous year. Imports.

Imports from the *Colony of Victoria* are valued at £1,171,278 seaward, and £1,360,171 overland, in all £2,531,449, which amount is over the figures of the preceding year by £144,672.

From *South Australia* the value of Imports amounted to £811,292, viz. :—£557,454 seaward, and £253,838 overland. Here we find the large decrease of £354,514

£354,514 on the previous year's figures. *Queensland* Imports were valued at £2,229,957, consisting of £2,218,334 seaward traffic, and £11,623 overland traffic; showing an increase of £240,368 on the preceding year. Imports from *other British Colonies* were estimated at the value of £1,331,254. Imports from *Foreign States* at £1,230,862, made up chiefly as follows:—United States, £481,565; China, £316,441; Java, £145,185; New Caledonia, £151,684.

Exports.

The value of Exports to the *United Kingdom* in the year 1877 amounted to £6,018,926, which figures are in excess of those for the previous year by £100,739. Exports to the *Colony of Victoria* were valued at £3,898,129, which is a falling away of £145,537 on the figures of the preceding year. The value of our overland exports to Victoria is set down at £2,869,945, of which amount the sum of £2,245,914 represents the value of New South Wales wool, the bulk of which was no doubt in transition to Foreign markets. The value of our Exports to *South Australia* is computed at £352,825, of which £142,411 was seaward, and £210,414 overland. As compared with the previous year the deficiency in the value of exports to this Colony amounted to £317,313. Our Exports to *Queensland* were valued at £1,498,128, which gives an increase of £376,308 on the previous year. Seaward traffic amounted to £1,435,707, and overland to £62,421. Exports to *other British Colonies* were valued at £899,482, and to Foreign States £458,329, the principal customers being United States, £107,748; New Caledonia, £165,838; China, £42,490; South Sea Islands, £48,059.

Imports and Exports.

Comparing the Imports and Exports of the year 1877, we find that *Exports to the United Kingdom* were in excess by £452,854, and also to the *Colony of Victoria* by £1,366,680. *Imports* from the Colony of *South Australia* were £458,467 over the value of Exports thither, and those from Queensland were also in excess by £731,829. *Imports* from all British Colonies were in excess of Exports by £255,388. The general total value of Imports over Exports for the year 1877 amounted to £1,480,775.

Shipping.

The number of vessels which entered the ports of the Colony during the year 1877 was 2,361, of an aggregate of 1,136,206 tons, and crews amounting to 48,312 in number. The number of sailing vessels was 1,509, with an aggregate of 623,682 tons, and 17,487 hands. Steam vessels numbered 852, with an aggregate of 512,524 tons, and 30,825 hands. As compared with the previous year, we have an addition of 48 in the number of vessels, with an aggregate of 61,781 tons.

The following table shows the number of vessels entered inwards during the year 1877, with their aggregate tonnage, from Great Britain, &c. :—

Countries from whence arrived.	No.	Tons.
Great Britain	151	170,349
Australian Colonies	1,605	684,125
New Zealand	361	150,194
Other British Possessions	37	20,984
South Sea Islands	42	11,844
From Fisheries	1	286
United States of America	35	43,701
Foreign States	129	54,723
	2,361	1,136,206

The next table shows the number, tonnage, and crews of vessels of each nation, entered at ports of the Colony during the year 1877 :—

Nationality of Vessels.	No.	Sailing.	Steam.	Tons.	Crews.
British Possessions	1,807	1,083	724	678,927	31,709
British	393	285	108	346,356	13,127
Foreign	161	141	20	110,923	3,476
	2,361	1,509	852	1,136,206	48,312

The

The number of vessels, with their aggregate tonnage, entered at each port of the Colony, was as follows :—

Names of Ports.	No.	Tonnage.
Sydney... ..	1,253	662,217
Newcastle	1,065	469,349
Grafton	10	1,452
Richmond River	15	2,081
Tweed River	18	1,157
	2,361	1,136,206

The number of vessels cleared from the ports of the Colony during the year 1877 was 2,301, of an aggregate of 1,101,775 tons, and crews amounting to 46,045 in number.

The following figures show the number of vessels, with aggregate tonnage, which cleared during the year 1877 to Great Britain, &c. :—

Countries to which departed.	No.	Tons.
Great Britain	50	63,214
Australian Colonies	1,395	543,065
New Zealand	357	149,028
Other British Possessions	141	106,275
South Sea Islands	51	13,671
To Fisheries	2	350
United States of America	86	107,103
Foreign States	219	119,069
	2,301	1,101,775

The number, tonnage, and crews of Vessels of each nation cleared at ports of the Colony, during the year 1877, was as follows :—

Nationality of Vessels.	No.	Sailing.	Steam.	Tonnage.	Crews.
British Possessions	1,759	1,087	672	653,453	30,146
British	389	269	120	343,992	12,695
Foreign	153	135	18	104,330	3,204
	2,301	1,491	810	1,101,775	46,045

The number of Vessels, with their aggregate tonnage, cleared from each port of the Colony, during the year 1877, was as follows :—

Names of Ports.	No.	Tonnage.
Sydney... ..	920	511,623
Newcastle	1,328	577,676
Grafton	18	2,896
Richmond River	4	615
Tweed River	16	1,008
Eden	15	7,957
	2,301	1,101,775

The Return of the number of vessels built in the Colony during the year 1877, shows that there were 61 in number, of an aggregate of 4,510 tons. The number of vessels registered in the year amounted to 103, of an aggregate of 11,595 tons. ^{Shipbuilding, &c.}

PART IV.

MILLS AND MANUFACTURES.

On page 158 will be seen a return of the number of *Mills for grinding and dressing grain* in each of the Police Districts of the Colony for the year 1877. The total number of these Mills was 163, of which 15 were in the Metropolitan District, and 12 in the Bathurst District, the rest being distributed over the remaining Districts. Seven Mills of the total number were not working. The aggregate horse-power used was 2,623. There were 151 Mills worked by steam, representing 2,529 horse-power, 8 by water with 80 horse-power, and three were moved by horses. The number of pairs of stones in use was 382, and employment was given to 623 persons.

The total number of *Manufactories and Works* in operation in the Colony during the year 1877 was 2,438, which employed 23,807 persons, viz :—20,590 males and 3,217 females. In the Metropolitan District we find 795 Manufactories, and employing 13,897 persons, of whom 10,827 were males and 3,070 females. In the Country Districts there were 1,643 Manufactories, &c., which gave employment to 9,910 persons, of whom 9,763 were males and 147 females.

The following table gives the number of Manufactories, &c., connected with industries grouped under certain heads :—

	No.	Hands employed.
Connected with or dependent on Agriculture...	161	2,025
Working on Raw Materials, the Production of the Pastoral Interest...	336	2,828
Manufacture of Food and of Articles of Drink, &c.	234	1,750
Building Materials and Plastic Manufactures	688	3,870
Machine Manufactories, Brass, Lead, and Iron Works	155	2,197
Miscellaneous Works and Manufactories	864	11,137
	2,438	23,807

Woollens.

There were 8 Mills in operation during the year for the manufacture of *Woollens*. The quantity of Cloth and Tweed manufactured was 271,452 yards, as against 395,704 yards in the previous year. This large reduction in production is accounted for by the fact, that one owner of a large Metropolitan establishment refused to afford the collector any information. The number of persons employed in the seven establishments for which returns have been received, was 207, consisting of 156 males and 51 females.

Soap and Candles.

The number of Manufactories in operation for *Soap and Candles* in the year 1877 was 33, which gave employment to 156 persons. The quantity of soap produced was 92,958 cwt., which is an increase of 12,063 cwt. on the previous year's return. The quantity of Candles produced in the year was 36,909 cwt., in place of 13,811 cwt. in the previous year.

Tobacco.

The number of establishments engaged in the manufacture of *Tobacco* during the year 1877 was 18, which found employment for 469 males and 63 females, in all 532 persons. The quantity produced amounted to 19,180 cwt., showing an addition of 5,440 cwt. to the figures of the previous year's return.

Sugar.

The number of *Sugar Mills* in the Colony in the year 1877 was 63, of which number 18 were not in operation. The quantity of Sugar produced was 150,744 cwt. As compared with the previous year, we find there is an increase on the previous year's return of 56,784 cwt. in Sugar, and that Molasses had increased in quantity from 55,560 gallons and 1,362 tons in 1876 to 78,823 gallons and 1,667 tons in 1877. This industry afforded employment to 1,065 persons.

Boiling-down Establishments.

The number of *Boiling-down* Establishments for the year 1877 was 36, in which there were 24,000 sheep and 7,793 horned cattle slaughtered for tallow, and 213 pigs for lard. The quantity of tallow produced was 61,294 cwt., a large portion of which was obtained from the refuse of butcher's shops. The lard produced amounted to 11,260 lbs. Both tallow and lard are in excess of the previous year's production by 17,484 cwt. and 4,271 lbs. respectively.

Distilleries.

The quantity of *Spirits* (Rum) distilled during the year 1877 was 150,737 gallons of proof spirit. In comparison with the previous year there is a decrease of 67,571 gallons.

PART

PART V. PRODUCTION.

The quantity of Gold received by escort at the Mint, from the several Gold ^{Gold.} Fields of the Colony, has been decreasing yearly for the past five years. For the year under review the weight received was 97,582 ounces, valued at £366,329, which is a decrease of 29,207 ounces in quantity, and £112,804 in value on the return for the previous year. The *Western Gold Fields* supplied 71,335 ounces, valued at £265,135. As compared with the preceding year this shows a deficit of 23,543 ounces and £92,361 in value. From the *Southern Gold Fields* the quantity received was 23,007 ounces, of the value of £89,064, which shows a loss on the previous year's return of 4,411 ounces, and £15,679. The supply from the *Northern Gold Fields* amounted to 3,239 ounces, worth £12,129, and here again is a deficiency of 1,252 ounces and £4,765.

The return of the quantity and value of Coal, Iron, Tin, Copper, &c., raised at the Mines during the year 1877, and the number of miners employed gives the following particulars:—The number of Coal Mines in the Colony in the year 1877 ^{Coal Mines.} was 40, of which 10 were not in work, and there were three others where only preliminary work was in progress, which leaves 27 mines in active operation. The quantity of Coal raised was 1,444,271 tons, valued at £858,998. These figures show the large increase of 124,353 tons, of the value of £55,698 on the returns for the previous year. The total number of miners employed was 4,657, of these 3,831 were working underground, and 826 above ground. Out of the total quantity raised we find the Northern Districts produced Coal to the value of £711,173.

The produce of Shale in the year 1877 amounted to 18,963 tons, valued at ^{Shale.} £46,524. There is an increase on the previous year of 2,965 tons, but a decrease in value of £1,470. There were four mines in operation during the year, which employed 135 men. The principal mine appears to be that at Hartley Vale, where the output is stated to have been 15,972 tons.

The results of Copper Mining for the year 1877 show a great improvement on ^{Copper.} the previous year. The quantity of Copper Ore, Regulus, and Copper produced was 6,454 tons, of the value of £97,443, as against 5,225 tons and £58,271. The value of Copper is put down as £62,400, and of Ore and Regulus at £35,043. The number of men employed in this industry was 334.

The quantity of Tin Ore produced at the various Mines of the Colony in the ^{Tin.} year 1877 was 6,444 tons, valued at £219,640, showing a decrease of 1,261 tons in quantity, and in value of £33,073. Employment was given to 2,447 miners.

The returns of Iron Ore show a great reduction on those of the preceding ^{Iron.} year, the principal mine being at work only for the first three months of the year. The total quantity raised was 2,600 tons, of the value of £7,600.

There were 47 tons of Antimony Ore raised during the year 1877, valued at ^{Antimony.} £564.

The returns of *Live Stock* in the Colony for the year ended 31st March, 1878, ^{Live Stock.} show very plainly the losses sustained by reason of the long continued drought. The number of stockholders in the Colony is given as 35,661. The number of *Horses* is stated to be 328,150, being a decrease of 38,553 on the preceding year's returns, which give a larger number of *Horses* than for any year in the decade. There were 2,746,385 head of *Horned Cattle*, as against 3,131,013 in the previous year, which is a loss of 384,628 head to the year under review. The number of *Sheep* in the Colony was 20,962,244, which is short of the previous year's return by 3,541,144. Looking at the decennial table of the number of sheep in the Colony, and taking the average of the first five years, it will be seen that the yearly number of sheep was 16,043,575. The average of the last five years of the decade gives the number as 22,644,511.

From the Agricultural Returns we learn that the number of occupiers of land ^{Agriculture.} of one acre and over (excluding those for pastoral purposes) amounted to 40,329, which shows that there were 690 more holders of land than in the previous year. The total area of holdings comprised 19,435,896 acres, being 1,225,100 acres in excess of the figures for the preceding year. The extent of land in cultivation is returned as 546,556 acres, making an addition of 32,716 acres to the total of the previous year's returns. There were 13,792,620 acres of land enclosed but not under cultivation, and here again

we

we find an increase on the previous year of 2,771,652 acres. The extent of land unenclosed was 5,096,720 acres, being fewer by 1,579,267 acres than the figures for the preceding year.

Grain Crops.

The total extent of land set apart for the growing of *Wheat* was 176,686 acres, which produced 2,445,507 bushels. The average yield was close on 14 bushels to the acre, which is an exceptional low average, owing no doubt to the drought which prevailed. Wheat land then occupied 32·3 per cent. of the total area under cultivation. In comparison with the figures of the previous year we find an increase of 31,078 acres in area, and of 53,528 bushels in quantity. The cultivation of *Maize* comprised an area of 105,510 acres, the produce of which came to 3,551,806 bushels, being an average of about 33½ bushels per acre. This crop covered 19·3 per cent. of the total land under cultivation, and shows a deficiency on the previous year of 10,854 acres and 327,731 bushels. The extent of land under *Barley* was 5,055 acres, which returned 99,485 bushels, the average per acre being about 19½ bushels, which is 4 bushels under the average of the previous year. There was a decrease of 607 acres under crop, and 34,673 bushels in production. *Oats* covered an area of 18,580 acres, which yielded 358,853 bushels. The average per acre was a trifle over 19 bushels, being 2 bushels under the average of the previous year. The total area under crop and the yield are both under the figures of the previous year by 3,248 acres and 103,063 bushels. The area of land set apart for the growth of *Rye* was 1,168 acres, and of *Millet* 239 acres, the yield of the former being 19,184 bushels, and of the latter 3,877 bushels; the average yield per acre being 16 bushels for each.

Potatoes.

The area of land devoted to the cultivation of Potatoes was 13,862 acres, the yield for which amounted to 34,957 tons, which shows an average of 2½ tons to the acre. Here again we find a decrease in area of 309 acres, and in quantity produced of 7,981 tons.

Tobacco.

The culture of Tobacco occupied 399 acres, and shows a small increase on the previous year. The produce amounted to 3,049 cwt.

Sugar-cane.

The extent of land covered with Sugar-cane comprised 7,066 acres, of which 3,331 acres are returned as productive, and 3,735 as unproductive. The quantity of sugar obtained was 150,744 cwt., and gives an average of a little over 45 cwt. to the acre.

Hay.

Sown Grasses (including Lucerne), Oats, Wheat, and Barley, for hay occupied an area of 125,778 acres, showing an increase of 13,832 acres on the returns of the preceding year. The yield is stated to have been 154,076 tons. Though the area laid down was in excess of the previous year we find that the yield was short by 5,584 tons.

Vines.

The area of land under the cultivation of the Vine was 4,183 acres, being under the figures of the previous year by 274 acres. The quantity of Wine produced was 708,431 gallons, and of Brandy 1,481 gallons. Grapes for table use were produced to the amount of 797 tons.

Green food for Cattle.

Sown Grasses, Oats, Barley, &c., used for green food for cattle, covered an area of 65,072 acres, which are in excess of the previous years returns by 3,556 acres.

Gardens and Orchards.

Gardens and *Orchards* comprised a total area of 19,900 acres. As compared with the previous year we find an increase of 553 acres.

PART VI.

MONETARY AND FINANCIAL.

In this part of the yearly returns from page 198 to 231 inclusive, will be found tables of taxes, duties, &c., fees and accounts, weights and measures, and course of exchange.

Interest.

The rates of interest allowed to depositors by the various Banks of the Colony, varied 3 to 5 and 5½ per cent. according to the duration of the deposit.

Coin and Bullion.

From the return of the amounts of coin and bullion in the Mint, Colonial Treasury, and the Banks of the Colony, on 31st December, 1877, we learn that the total amounted to £2,575,420, which figures show a decrease of £303,997 on the returns of the previous year. The amount of bullion held by the Mint was of the value of £34,170, and by the Banks £106,023, in all £140,193. The value of coin was £2,435,226, the whole of which (except £100) was in the custody of the Banks.

The

The amount of notes of the several Banks in circulation was of the value of ^{Notes.} £1,242,081, which is in excess of the preceding year by £21,525. The average circulation of notes for the year amounted to £1,129,249.

On pages 234 and 235 will be found a general abstract of the average ^{Bank Liabilities and Assets.} Assets and Liabilities, and of the capital and profits of the Banks of the Colony for each quarter of the year 1877.

The return of the New South Wales Savings Bank shows that the number of ^{New South Wales Savings Bank.} depositors on 31st December, 1877, was 32,220 with £1,355,258 to their credit. As compared with the previous year we find an increase of 1,217 in depositors, and in amount of £51,446. Sydney depositors numbered 25,056 with £1,056,145 to their credit, and there were 7,164 in the country districts, with a credit of £299,113. The increase on the previous year of Sydney depositors was 936, and of country depositors 281; and the excess of deposits was £43,073, and £8,374 respectively. The amount to credit of reserve fund was £140,000, and the amount to credit of Profit and Loss account was £15,690. The rate of interest paid during the year to depositors on amounts not exceeding £100, and that charged for money lent on mortgage, was 5 per cent.

The following figures show the number and amount of deposits.

	No.	Amount.
		£
£20 and under	15,337	83,391
Between £20 and £50	6,062	205,938
" £50 and £100	5,229	373,300
" £100 and £200	5,329	576,925
" £200 and £300	151	35,369
" £300 and over	112	80,335
	32,220	1,355,258

The total amount at credit of Depositors in Government Savings Banks, at ^{Government Savings Banks.} the close of the year 1877, was £467,452, which is in excess of the previous year's figures by £67,332. There were 8,268 accounts opened, and 5,462 closed, during the year. The total number of accounts remaining open at the close of the year was 16,076. The total number of deposits during the year amounted to 47,948, representing, with interest, the sum of £344,687. The total number of withdrawals was 17,871, representing the sum of £278,532.

The total value of Gold Dust or Bullion received at the Mint during the ^{Gold received and issued at the Mint.} year 1877 amounted to £1,608,248. The number of sovereigns issued was 1,590,000. Of the total quantity of Gold supplied to the Mint, the Colony of Queensland stands first, with a value of £1,126,315, and then New South Wales, with £459,201. The total revenue of the Mint was £10,902, of which sum £3,316 was received from Gold the produce of this Colony, and £7,586 from other sources.

On reference to page 241 will be seen the return showing the earnings and ^{Railways.} expenditure of the Railways of the Colony during the year 1877. We find that 89 miles were added to the length of our Railways; the extensions consisting of 65 miles to the Great Southern and Western Lines, and 24 miles to the Northern route. The total earnings for the year amounted to £815,920, which shows an excess of £122,695 on the previous year. Of this amount £92,279 was received from the Great Southern and Western Lines, and £30,416 from the Northern Line. The total expenditure for working expenses was £418,985, which leaves £396,935, as net earnings over working expenses. The amount received from Passenger Traffic was £270,771, and carriage of goods brought in £542,621. There was also a sum of £2,528 received under the head of Miscellaneous. As compared with the previous year we find the following increases:—From Passengers, £42,252; from Goods, £83,266. Miscellaneous receipts were less by £2,822.

The total number of miles of wire open on 31st December, 1877, was 9,761, ^{Electric Telegraphs.} constructed at a cost of £343,973. There were 190 Stations, and 1,001,884 messages were despatched. The receipts for the year amounted to £96,357, of which sum £65,645 was received for Telegrams, and £30,712 represents balance on Intercolonial business, and guaranteed lines, &c.

At

Post Offices. At the close of the year 1877 there were 810 Post Offices in the Colony, which employed 1,180 persons. The extent of postal lines was 19,508 miles, and the number of letters conveyed was 16,509,000, comprising 1,979,500 Foreign, 11,579,500 inland, 2,950,000 town letters. There were also 8,385,000 newspapers passed through, of which number 1,652,000 were Foreign, and 6,733,000 inland. Packets, and Book Parcels, numbered 398,600, viz.:—Inland, 263,600, and Foreign, 135,000. The income for the year amounted to £154,171, which includes the amount of postage contributions of the United Kingdom and the Australian Colonies to the cost of Ocean Mail subsidy. The expenditure, which includes estimated outstanding liabilities, amounted to £226,305.

Money Orders There were 273 offices for the issue of Money Orders in the Colony during the year 1877. The total number of Orders issued was 129,120, representing a sum of £494,469. These figures exceed those for the previous year by 16,436 in number, and by £28,698 in value. The number of Orders paid was 120,493 of the total value of £450,477. The increase under this head was 19,001 in number and £29,315 in value. The total amount received as commission on Orders amounted to £5,248.

Immigration. The total amount expended in England in connection with Immigration for the year 1877, was £62,458; the total outlay being £74,299, which provided for the introduction of 6,018 immigrants. This number includes 761 assisted immigrants, who arrived from New York.

Military. The general total amount incurred by the Colony in the year 1877 on account of Defence and for Military and Naval Services, was £94,362, as against £55,717 in the previous year. Repairs to Buildings, cost of Stores and Gunpowder Magazines, absorbed £30,092, and the sum of £15,535 was expended towards completing the fortifications of Port Jackson. The sum of £42,238 was paid on behalf of Permanent and Volunteer Military Forces, and £6,496 on account of Naval Services. Of this latter amount the sum of £6,121 was paid to the Naval Brigade.

Municipalities or Boroughs. The return of forty-six Municipalities shows that the total receipts for the year ending 4th February, 1878, amounted to £133,472. The estimated annual value of rateable property upon which rates were struck, was £1,102,144, ordinary rates are set down as £49,220; Special rates, £6,360; Subscriptions, &c., £7,473; Loans, £5,502; from Government, £64,918. The total expenditure is shown to have been £92,841, distributed as follows:—Office expenses and Salaries, £10,138; Public Works, £59,874; Special Works, £5,943; Miscellaneous, £6,721; Repayment of Loans, £10,165.

PART VII.

MISCELLANEOUS.

Public Works. Railways. The total amount expended on the several Railways of the Colony in the year 1877 was £744,440. Of this sum we find that £272,885 was spent on extensions not open for traffic, and £471,555 on lines open for traffic. The actual amount of expenditure to 31st December, 1877, on the finished lines of the Colony was £8,739,177, and on unfinished lines £575,323, making in all a total outlay of £9,314,500.

Electric Telegraphs. The cost of Electric Telegraphs for the year amounted to £42,912, as against £26,172 in the previous year.

Roads and Bridges. The general total amount expended on Roads and Bridges during the year 1877 was £444,350, which sum is inclusive of £58,967 issued to Trustees of Minor and Subordinate Roads. As compared with the expenditure of the previous year, we find an increase of £62,093.

Harbours and Rivers. The return from the Harbours and Rivers Branch shows an expenditure for the year of £186,917, which is an increase of £11,728 on the previous year.

Public Buildings. The total amount expended by the Colonial Architect in the erection and repairs of the public buildings of the Colony during the year 1877 was £200,149, showing an increase of £44,464 on the expenditure of the previous year. The cost for furniture amounted to £9,841.

The

The total expenditure on all Public Works for the year 1877 was as follows:—

	£
Railways	744,440
Electric Telegraphs	42,912
Roads and Bridges	444,350
Harbours and Rivers	186,917
Public Buildings	200,149
	£1,618,768

The total number of deeds relating to Real and Leasehold Estates registered during the year 1877 was 10,556, representing a money consideration of £5,107,656. As compared with the previous year, we find an increase of 1,053 in the number of deeds, and of £1,200,453 in value. The following comparative table shows the number and value of some of the principal transactions:—

	1876.		1877.	
	No.	Consideration.	No.	Consideration.
		£		£
Conveyances under Mortgage ...	110	63,394	334	238,095
Conveyances (absolute)	4,553	1,663,935	5,005	2,228,895
Leasehold	220	96,562	203	110,798
Mortgages	2,126	1,402,848	1,758	1,308,775
Discharges of Mortgages	1,101	600,835	1,902	1,123,139
Transfers of Mortgages	69	58,696	71	49,528
	8,179	3,886,270	9,273	5,059,230

There were 994 preferable liens on wool registered during the year, as against 920 in the previous year. The number of sheep forming the security amounted to 4,386,378; and the sum secured was £627,779. This shows a decrease on the previous year's return of 442,573 sheep, and of £125,039. Mortgages on Live Stock registered during the year numbered 1,994, being 1,236 over the figures of the previous year. The security consisted of 2,565,962 sheep, 185,796 horned cattle, and 6,726 horses. The amount lent was £2,004,363. The number of discharges of live stock mortgages registered was 225, representing the sum of £1,292,703.

The number of these securities recorded had increased from 319 in 1876 to 477 in 1877. In the former period the sum of £16,419 was advanced, and in the latter the sum of £27,086.

The number of applications to obtain certificates of title under the Real Property Act, was 240, being 64 less than in the year 1868, the first year of the decennial. The declared value of property comprised in these applications amounted to £210,431. The total sum collected in the Registrar General's Department as fees under the Real Property Act for the year 1877, amounted to £10,092, of which £6,603 was paid into Consolidated Revenue on account of certificates of title and registration of dealings generally. The sum of £2,976 was collected on account of Assurance Fund, and £512 as fees for Commissioners of Title. The number of transfers registered during the year was 3,394, with consideration money amounting to £1,046,340. Here we find an increase in number on the previous year of 528, and in value of £266,606. There were 1,423 discharges of mortgages registered, showing an increase of 219 on the previous year, the amount represented being £1,976,142. The total number of transfers, mortgages, discharges, and encumbrances was 5,428, representing a value of £3,563,576, the increase on the previous year's business being 877 in the number of transactions, and £1,291,406 in the amount of consideration. The number of Crown grants registered in the year was 9,107,

9,107, comprising a total area of 1,174,286 acres of land, the purchase money of which amounted to £1,204,648. Both the area and value of land comprised in grants registered are largely in excess of the previous year or of any year in the decade. The grand total area of land under the provisions of the Real Property Act at the end of the year 1877 was 4,987,139 acres of the estimated value of £8,754,084.

Civil cases.

There were 286 civil cases tried during the year 1877 in the Supreme and Circuit Courts of the Colony. Of this number 184 were defended, and 98 undefended or settled. There were also 4 special cases. Of the total number of cases 212 were tried in the Supreme Court at Sydney, and 74 in the Circuit Courts.

District Courts.

The number of suits commenced in the several District Courts of the Colony for the year ended 1st March, 1878, was 9,491, involving a total amount of £177,380; of the total number of cases 3,878 were settled without hearing, and 11 by arbitration. There were 131 cases tried by jury, and 5,326 without the intervention of a jury, making a total of 5,457 cases tried. Plaintiffs were successful in 4,911 cases, and defendants in 546 cases.

Insolvencies.

The number of insolvencies during the year was 588, being 86 in excess of the figures for the previous year. Voluntary insolvents numbered 534, and compulsory 54. The total amount of liabilities, as shown by insolvents' schedules, was £508,352, and the amount of assets, as shown from the same source, was £210,821, which leaves a deficiency of £297,531.

Miners' rights, mineral and business licenses.

The number of miners' rights issued during the year was 6,288, as against 7,395 in the previous year. There were also 408 mineral licenses issued, being an addition of 137 to the previous year's figures. The issue of the business licenses reached 553.

Gold-mining machinery.

The machinery used in alluvial mining for gold consisted of 15 steam engines, which were employed in winding, pumping, &c. As compared with the previous year, we find a considerable decrease in the various kinds of machinery used in alluvial mining. The quartz mining returns also show a small reduction on the preceding year in the number and description of machines employed. The number of steam engines at work during the year was 120, of an aggregate of 1,735 horse power.

Publicans' Licenses.

The number of Publicans' Licenses issued in the year 1877 was 3,043, showing an increase of 230 in the previous year's returns. To this number the City and Suburbs contribute 63.

Military Forces.

The return of the New South Wales Artillery, which is the regular Military Force of the Colony, shows a total of 358 men, of whom 299 were rank and file. The total figures give an increase of 135 on the previous year, and of 118 on rank and file. Volunteer Corps show a total strength of 3,851, which figures are under those of the previous year by 390. The number of rank and file was reduced from 3,645 in 1876 to 3,288 in 1877. The number of the Naval Brigade was also reduced from 329 to 286.

Meteorology.

The highest shade temperature for the year 1877 recorded at the Sydney Observatory was in the month of December, when the thermometer stood at 97.4. The mean for the year is shown to have been 82.9. The lowest temperature was 41.6, in the month of June, the mean for the year being 50.5. The greatest fall of rain in any one day during the year was 4.890 inches, which occurred in the early part of the month of October. The total fall of rain for the year amounted to 59.517 inches, which is greater by nearly 8 inches than the average rainfall of the preceding eighteen years.

Land Sales.

The total area of *Land sold by Auction* during the year 1877 amounted to 1,830,996 acres and 32½ perches, which realized the sum of £1,855,749 3s. 11d. Of this sum £1,611,543 14s. 10d. was received, leaving an unpaid balance of £244,205 9s. 1d. The average price per acre of these lands was as follows:—Town Lots, £27 6s. 9¼d.; Suburban, £4 13s. 3¼d.; Country, £1 0s. 1¼d. *Land unconditionally sold by selection* comprised an area of 158,843 acres, for which £167,129 10s. 8d. was received, being an average of £1 1s. 0½d. per acre. *Improved Lots sold to owners of improvements* show an area of 159,848 acres 2 roods 32½ perches, for which £172,138 0s. 8d. was realized, showing an average of £1 1s. 6½d. per acre. The area of land *Conditionally sold* was £1,699,816 acres, at the price of £1 per acre. The amount received on account of these sales was £424,954, leaving an unpaid balance of £1,274,862. Balances received during the year on conditional purchases amounted to £71,852 15s. 6d., and interest, produced £126,657 8s. 9d. The total amount

amount received during the year on account of land revenue under the Lands Alienation Act of 1861 was £2,655,579 14s. 3d., which is an increase of £198,360 12s. 3d. on the income of the previous year. Under the *Crown Lands Occupation Act* of 1861 we find that the area occupied was 241,260 square miles, which brought in as rent and assessment the sum of £224,118 12s. 11d. Here is an increase of £8,732 1s. 1d. on the figures of the previous year. The amount received under the *Gold Fields Act* was £20,558 4s., being £4,549 6s. 2d. under the income of the previous year. *Miscellaneous Receipts* amounted to £31,279 2s. 9d.

The following figures show at a glance the total amount of business done during the year:—

Total receipts ...	{	Under Lands Alienation Act	...	£2,655,579	14	3
		" " Occupation Act	...	224,118	12	11
		" Gold Fields Act	...	20,558	4	0
		Miscellaneous...	...	31,279	2	9
				£2,931,535	13	11
Balances payable in 1878—Auction Sales	244,205	9	1	
" 1880—Conditional Purchases	1,274,862	0	0	
				£4,450,603	3	0
General Total	£4,450,603	3	0

I have the honor to be,

Sir,

Your obedient Servant,

EDWD. GRANT WARD,

Registrar General.

STATISTICAL VIEW OF THE PROGRESS OF THE COLONY OF NEW SOUTH WALES, FROM THE YEAR 1821 TO 1877 INCLUSIVE.

Main statistical table with columns for Year, Population, Births, Marriages, Deaths, Schools, Committments, Convictions, Mills, Manufactories, Number of Acres Under Crop, Live Stock (Horses, Cattle, Sheep, Pigs), Coal Raised, Land Sales, Shipping (Inwards, Outwards), Exports (Wool, Tallow, Oil, Gold, Coal), Value of Imports and Exports, Revenue (General, Loans, Ordinary, Loans), and Expenditure (General, Loans, Ordinary, Loans).

* Exclusive of the overland traffic.
† The Census was taken in 1821, 2, 3, 5, 8, 33, 6; population as above.
2nd March, 1841, population 130,856
2nd March, 1846, " 189,609
1st March, 1851, " 187,243
1st March, 1856, " 266,139
7th April, 1861, " 350,860
2nd April, 1871, " 503,981
The population from the year 1836 is estimated up to the end of each year.
† The reduction in the year 1851 was caused by the separation of Port Phillip from New South Wales.

‡ The reduction in the year 1859 was caused by the separation of Queensland from New South Wales.
§ Lands conditionally sold under the " Crown Lands Alienation Act of 1861."
¶ Price of land in 1825, 7s. 6d. to 10s. per acre.
‡ The minimum price of land was 5s. per acre from 1832 to 1840; 12s. per acre, 1840-2. (20s. in Port Phillip, in 1841). 20s. per acre from 1843 to present time.
In 1822, 3, 4, 5, the accounts were kept in Spanish dollars and British money; generally in Spanish dollars.
Transportation ceased in 1840.
The Return of the Revenue and Expenditure previous to 1850 cannot be accurately ascertained.
In addition to the above Expenditure, the Imperial Government paid large sums for the maintenance of Convicts and Military.

Gold discovered in May, 1851.
The Loans Expenditure previous to 1853 cannot be shown.
† Includes £270,543 proceeds of Treasury Bills, issued under the Act of Council 27th Vict., No. 8, to cover deficit of 1853 and previous years.
‡ The Revenue and Expenditure columns include " Church and School Lands Revenue," " Police Reward Fund," " Police Superannuation Fund," and " Superannuation Fund," 27th Vict., No. 11.
§ Includes Trust Fund, Treasury Bills, &c.
¶ Includes £250,000 advances from the Consolidated Revenue Fund.
‡ Includes the Gold received at the Mint from other Colonies and converted into Bars and Coin.
† Inclusive of the Overland Traffic.

STATISTICAL REGISTER.

1877.

TABLE OF CONTENTS.

	PAGE.
Part I.—Population, Immigration, Vital Statistics, &c. ... (Embracing Returns numbered 1 to 22.)	1
Part II.—Religion, Education, and Crime (Embracing Returns numbered 23 to 50.)	23
Part III.—Trade and Commerce... .. (Embracing Returns numbered 51 to 87.)	65
Part IV.—Mills and Manufactures (Embracing Returns numbered 88 to 104.)	157
Part V.—Production (Embracing Returns numbered 105 to 112.)	173
Part VI.—Monetary and Financial (Embracing Returns numbered 113 to 141.)	197
Part VII.—Miscellaneous (Embracing Returns numbered 142 to 182.)	253
<hr/>	
Statistical View of New South Wales from 1821 to 1877
Australasian Statistics
General Index to Contents

ALPHABETICAL INDEX TO CONTENTS.

	PAGE.		PAGE.
ABATTOIRS, GLEBE ISLAND—FEES	228	CATTLE—	
ACADEMY OF ART—NEW SOUTH WALES	30	Exported—Fees	228
ACCOUNTS—KEPT IN STERLING MONEY	231	Slaughtered for Tallow and Lard	170
AGRICULTURE—		" (Decennial Return)	171
In each Police District	184	CEMENT, IMPORTED—DUTY ON	198
Decennial Return	183	CHAPELS, &C.	24
ALE, BEER, AND PORTER, IMPORTED—DUTY ON	198	CHARITABLE INSTITUTIONS	13
APPREHENSIONS BY THE POLICE	61	CHEESE, IMPORTED—DUTY ON	198
" AND SUMMONSES, &C.	59	CHURCHES, CHAPELS, &C.	24
ARTILLERY GUNS	289	CIGARS, IMPORTED—DUTY ON	198
ASSESSMENTS ON RUNS	206	CITY NIGHT REFUGE AND SOUP KITCHEN	15
ASYLUMS—		CIVIL JUSTICE	281
Benevolent	14	CLOTHING—AVERAGE PRICES OF (DECENNIAL RETURN)	19
Destitute Children's	14-28	COAL—	
Lunatic	5-15	Raised at the Mines and Value	175
Government—(Infirm and Destitute)	14	" (Decennial Return)	176
Asylum for Imbeciles and Institution for Idiots	9-15	Exported (Decennial Return)	147
AUCTIONEERS' LICENSES—FEES	207	COFFEE AND CHICORY, IMPORTED—DUTY ON	198
AUSTRALASIAN COLONIES—STATISTICAL RETURN SHOWING PROGRESS OF		COIN AND BULLION—	
AUSTRALIAN MUSEUM	33	In the Branch Royal Mint	
BACON, IMPORTED—DUTY ON	198	In the Colonial Treasury	
BAGS AND SACKS, IMPORTED—DUTY ON	198	In the Banks	232
BANKS—		Exported	147
Liabilities, Assets, &c.—Abstracts of	234	Issued at the Branch Royal Mint	240
Coin in	232	COINS—IN CIRCULATION	233
" (Decennial Return)	233	COLLEGES	28
Paper Currency in Circulation	233	COLONIAL DISTILLED SPIRITS—DECENNIAL RETURN	171
Rates of Interest allowed by	232	COMFITS, IMPORTED—DUTY ON	198
New South Wales Savings' Bank—Deposits, Investments, &c.	236	COMMITMENTS FOR TRIAL—	
" Depositors, Amount of Deposits, &c.	237	Supreme and Circuit Courts	50
" (Decennial Return)	237	Courts of Quarter Sessions	52
Government Savings' Bank—Deposits, &c.	238	CONFECTIONERY, IMPORTED—DUTY ON	198
Course of Exchange	231	CONVICTIONS—	
BAY-VIEW HOUSE LUNATIC ASYLUM	12-15	In the Supreme and Circuit Courts	50
BEER, &C., IMPORTED—DUTY ON	198	In the Courts of Quarter Sessions	52
BENEVOLENT ASYLUMS	14	Decennial Return	58
BIRTHS—		In the Magistrates' Courts—Offences and Punishments inflicted	59
In each Quarter of the Year	3	CONVICTS—	
Decennial Return	3	Executed	58
Search Fees	218	" (Decennial Return)	58
BISCUITS, IMPORTED—DUTY ON	198	Lunatics and Invalids	7-15
BLUE, IMPORTED—DUTY ON	198	COPPER MINES	175
BOATMEN—LICENSES	208	CORDAGE, IMPORTED—DUTY ON	198
BOILING-DOWN ESTABLISHMENTS	170	CORN FLOUR, IMPORTED—DUTY ON	198
BONDED DISTILLERIES AND SUGAR-HOUSES—DUTIES	198	CRIME—	
BONDED WAREHOUSES—CHARGES	200	Apprehensions and Summons Cases	59
Stocks in	155	Commitments, Convictions, &c., &c.—In the Supreme and Circuit Courts	50
BOROUGHS AND MUNICIPAL DISTRICTS—RECEIPTS AND EXPENDITURE	249	Commitment, Convictions, &c., &c.—In Courts of Quarter Sessions	52
Electors and Voters	291	Convictions in Supreme and Circuit Courts and Courts of Quarter Sessions (Decennial Return)	58
BRANDS—FEES ON REGISTRATION	219	Executions	58
BRANDY—		Indictments and Informations in the Supreme and Circuit Courts and Courts of Quarter Sessions	60
Made in the Colony—(See "AGRICULTURE")	183	Offences reported to the Police	59
Imported—Duty on	199	Summary Convictions—Offences and Punishments inflicted	59
Colonial—Duty on	198	Summary Table of Offences reported to the Police—Apprehensions, Convictions, and Acquittals	60
BUTTER AND CHEESE—		Gaols and Prisoners	34
Imported (Decennial Return)	142	CROPS—LIENS ON	280
Exported (Ditto)	142	" Fees for Registration	217
CANDLES—MANUFACTURED DURING THE YEAR	168	CUSTOMS CHARGES—(See "DUTIES")	198
" (Decennial Return)	169	" REVENUE	156
" Imported—Duty on	198	DATES, IMPORTED—DUTY ON	198
		DAY SCHOOLS AND SCHOLARS	27

	PAGE.		PAGE.
DEAF AND DUMB AND BLIND INSTITUTION ...	14, 28	FEES RECEIVED BY MASTER IN EQUITY, &C. (DECENNIAL RETURN) ...	283
DEATHS—		FERRIES—DUES ...	209
In each Quarter of the Year ...	3	FISH—IMPORTED—DUTY ON ...	198
Decennial Return ...	3	FISHERIES—DECENNIAL RETURN ...	148
Search Fees ...	217-218	FITZ ROY DRY DOCK—DUES, &C. ...	210
DESTITUTE CHILDREN'S ASYLUM ...	14-28	FREE PUBLIC LIBRARY ...	30
DISEASES IN GAOLS ...	17	FRUITS, IMPORTED—DUTY ON ...	198
DISTILLING SPIRITS—LICENSES ...	207	GAOLS AND PRISONERS ...	34
DISTRICT COURTS CASES ...	282	Diseases in ...	17
DIVORCE AND MATRIMONIAL CAUSES COURT—FEES ...	224	GINGER, IMPORTED—DUTY ON ...	198
" Business done ...	281	GLADESVILLE—HOSPITAL FOR THE INSANE ...	5-15
DOCK DUES ...	210	GLEBE ISLAND ABATTOIRS—FEES ...	228
DOGS—REGISTRATION FEES ...	230	GOLD—	
DOORS, IMPORTED—DUTY ON ...	198	Received by Escort from Gold Fields ...	174
DRIED FRUITS, IMPORTED—DUTY ON ...	198	(Decennial Return) ...	174
DRUNKARDS PUNISHMENT ACT—FEES ...	229	Duty on (Exported) ...	200
DUES—		Received into the Branch Royal Mint ...	240
Tonnage ...	208	Charges on ...	200
Fitz Roy Dry Dock ...	210	Coined at the Branch Royal Mint ...	240
DUTIES—		Exported ...	147
On Goods Imported ...	198	Licenses to dig for ...	206
Gold into Branch Royal Mint ...	200	Miners' Rights Issued ...	284
Gold Exported ...	199	GOLD-MINING MACHINERY ...	285
ECCLESIASTICAL RETURN ...	24	GOVERNMENT ASYLUMS FOR THE INFIRM AND DESTITUTE ...	14
EDUCATION—		GRAIN—	
Private Schools and Scholars in each Police District...	27	Grown in the Colony—(See "AGRICULTURE") ...	183
Summary of Schools and Scholars, &c., &c. ...	28	Imported—(Decennial Return) ...	141
(Decennial Return) ...	28	Exported—(Ditto) ...	142
Sunday Schools ...	25	Average price (Ditto) ...	21
(Decennial Return) ...	26	Mills for Grinding and Dressing ...	158
University of Sydney—Numbers of Students, &c. ...	28-29	(Decennial Return) ...	159
ELECTORAL RETURN ...	290	GUNPOWDER—STORAGE FEES ...	227
ELECTRIC TELEGRAPHS—		GUNS—ARTILLERY ...	289
Number and Value of Telegrams ...	242	HAMS, IMPORTED—DUTY ON ...	198
Revenue Received for Foreign and Intercolonial Tele-		HARBOUR AND LIGHT RATES ...	209
grams, &c. ...	243	HARBOUR REMOVAL DUES ...	209
Scale of Charges ...	213	HAWKERS' AND PEDLERS' LICENSE FEES ...	207
EMIGRATION SEAWARD ...	2	HIDES AND LEATHER—	
EXCHANGE—COURSE OF ...	231	Imported (Decennial Return) ...	144
EXECUTIONS—		Exported (Ditto) ...	145
Religion, Age, &c. ...	58	HOME INSTITUTION ...	15
Decennial Return ...	58	HOPS IMPORTED—DUTY ON ...	198
EXPENDITURE—		HOSPITALS ...	13
Military and Naval ...	247	HOSPITAL FOR THE INSANE, GLADESVILLE ...	5-15
Volunteer Corps ...	247	HOUSE OF THE GOOD SHEPHERD ...	15
EXPORTS—		HOUSE RENT—CURRENT PRICES PAID FOR ...	19
Gold—Duty on ...	200	IMMIGRATION—	
Summary ...	66	Arrivals seaward ...	2
General Return—Articles and Value ...	99	(Decennial Return) ...	4
Decennial Return—(Distinguishing Countries to		Expense on account of, &c.—(Decennial Return) ...	247
which exported) ...	140	IMPORTS—	
Decennial Return—(the Produce or Manufacture		Duty on ...	198
of the Colony, &c.) ...	141	Summary ...	66
Overland—Total Value ...	66	General Return—Articles and Value ...	67
Butter and Cheese—(Decennial Return) ...	142	Decennial Return—(Distinguishing the Countries	
Coal—(Ditto) ...	147	from whence imported) ...	139
Gold and Coin—(Ditto) ...	147	Overland—Total Value ...	66
Gold Dust and Coin, and Countries to which the same		Live Stock (Decennial Return) ...	143
have been sent ...	147	Butter and Cheese (Ditto) ...	142
Grain, &c.—(Decennial Return) ...	142	Grain, &c. (Ditto) ...	141
Hides and Leather—(Ditto) ...	145	Hides and Leather (Ditto) ...	144
Live Stock—(Ditto) ...	143	Salt Meat (Ditto) ...	144
Salt Meat—(Ditto) ...	144	Timber (Ditto) ...	146
Tallow—(Ditto) ...	145	IMPOUNDING—FEES ...	230
Timber—(Ditto) ...	146	INDUSTRIAL SCHOOLS FOR GIRLS ...	14-28
Wool—(Ditto) ...	145	INSOLVENCIES—DECENNIAL RETURN ...	284
FEES—		INSOLVENT ESTATES PROCEEDINGS—FEES TAKEN IN ...	225
Schedule of, taken in the various Public Offices ...	216	INTESTATE ESTATES—DECENNIAL RETURN ...	283
Colonial Secretary's Office ...	216	IRON, IMPORTED—DUTY ON ...	198
Lands Office ...	216	IRON MINES—QUANTITY RAISED, AND VALUE ...	175
Supreme Court ...	220	JAMS AND JELLIES, IMPORTED—DUTY ON ...	198
Survey Office ...	216	KEROSENE SHALE MINES—QUANTITY RAISED AND VALUE	175
Insolvency Court Office ...	225		
District Courts Office ...	226		
Court of Claims ...	216		
Coroners ...	227		
Government Printing Office ...	226		
Registrar General's Office ...	217		
Chief Inspector of Sheep ...	219		
Marine Board ...	209		
Ordnance Storekeeper ...	227		
Miscellaneous ...	228		

ALPHABETICAL INDEX TO CONTENTS.

V

	PAGE.		PAGE.
LANDS—		MISCELLANEOUS—CONTENTS ...	253
Sold ...	298	MOLASSES AND TREACLE IMPORTED—DUTY ON ...	199
(Decennial Return) ...	301	MONEY—	
Sold conditionally since 1862 ...	301	Coin and Bullion ...	232
Set apart for Public purposes ...	302	Paper Currency in Circulation ...	233
Fees on Grants of ...	216	MONEY ORDERS—ISSUED AND PAID, &c. ...	245
Mortgages on ...	279	Commission for Issuing ...	212
Registration Fees ...	217	MORTGAGES—	
Discharges of Mortgages on ...	279	On Land (Decennial Return) ...	279
Alienated and Unalienated ...	304	Live Stock (Ditto) ...	279
Average price per acre ...	306	Discharges of (Ditto) ...	279
Leased for Pastoral purposes (Decennial Return) ...	307	Registration Fees ...	217
Revenue from, and Gold Fields ...	306	MUNICIPALITIES—	
Crown Grants Registered ...	280	Sydney (City) ...	248
LARD—		Other ...	249
Made in each Police District, &c. ...	170	MUSEUM—AUSTRALIAN—	
(Decennial Return) ...	171	Number of Visitors, &c. ...	33
LEATHER—		MUSTARD, IMPORTED—DUTY ON ...	198
Imported (Decennial Return) ...	144	NAILS, IMPORTED—DUTY ON ...	198
Exported (Ditto) ...	145	NAUTICAL SCHOOL SHIP "VERNON" ...	14-28
LIBRARIES—FREE PUBLIC ...	30-31	NAVAL BRIGADE ...	289
LICENCES—FOR VARIOUS PURPOSES—FEES ...	206	NAVAL EXPENDITURE ...	247
Publicans ...	287	NUTS, IMPORTED—DUTY ON ...	198
Fees for issuing ...	207	OILMEN'S STORES, IMPORTED—DUTY ON ...	198
LIENS—ON WOOL ...	279	OILS, IMPORTED—DUTY ON ...	198
" Growing Crops ...	280	OPIUM, IMPORTED—DUTY ON ...	198
" " Registration Fees ...	217	ORPHAN SCHOOLS ...	14-28
LIVE STOCK—		PACKET LICENCES—FEES ...	207
In each Police District ...	176	PAINTS, IMPORTED—DUTY ON ...	198
Decennial Return ...	182	PAPER, IMPORTED—DUTY ON ...	198
Imported (Decennial Return) ...	143	PARRAMATTA—LUNATIC ASYLUM ...	6
Exported (Ditto) ...	143	PAWNBROKERS' LICENCES—FEES ...	208
Slaughtered for Tallow and Lard ...	170	PEPPER, IMPORTED—DUTY ON ...	198
(Decennial Return) ...	171	PETTY SESSIONS—FEES ...	229
Mortgages on (Decennial Return) ...	279	PILOTAGE AND LIGHT RATES ...	209
Discharges of Mortgages on (Decennial Return) ...	279	" CERTIFICATES—FEES ...	209
Registration Fees on Mortgage ...	217	POLICE OFFICES—FEES ...	229
LOCAL REVENUES ...	248	POLITICAL FRANCHISE ...	290
LUNATICS AND INVALIDS ...	5-15	POPULATION, EMIGRATION, &c.—CONTENTS ...	1
LUNATIC RECEIVING HOUSE, DARLINGHURST ...	11-15	POPULATION ON 31ST DECEMBER ...	2
MACHINERY USED IN GOLD-MINING ...	285	" (Decennial Return) ...	2
MAIZENA, IMPORTED—DUTY ON ...	198	POSTAGE RATES ...	211
MALE, IMPORTED—DUTY ON ...	198	POST OFFICES, AND LETTERS PASSING THROUGH SAME, &c. (DECENNIAL RETURN) ...	244
MANUFACTORIES, WORKS, &c.—		POUNDKEEPERS' FEES ...	230
In each Police District ...	160	POWDER—	
In Metropolitan and Country Districts showing number of hands employed ...	164	Blasting and Sporting—Imported—Duty on ...	199
" " (Decennial Return) ...	166	Storage of—Fees ...	227
MANUFACTURES—		PRESERVES, IMPORTED—DUTY ON ...	199
Colonial Distilled Spirits—(Decennial Return) ...	171	PRISONERS IN GAOLS ...	33
Refined Sugar—(Decennial Return) ...	170	PRIVATE SCHOOLS ...	27-28
Soap and Candles ...	168	PRODUCTION—CONTENTS ...	173
" (Decennial Return) ...	169	PROTESTANT ORPHAN SCHOOL ...	14-28
Sugar from Cane grown in the Colony ...	169	PROVISIONS AND CLOTHING—AVERAGE PRICES OF (DECENNIAL RETURN) ...	19-21
Tallow and Lard ...	170	PUBLICANS—LICENCES ISSUED TO ...	287
" (Decennial Return) ...	171	" " FEES FOR ISSUING ...	207
Tobacco ...	169	PUBLIC WORSHIP ...	24
" (Decennial Return) ...	169	PUBLIC SCHOOLS, &c. ...	28
Woolens ...	168	PUBLIC WORKS ...	254
" (Decennial Return) ...	168	QUARANTINE—EXPENSE ON ACCOUNT OF ...	247
MARINE BOARD—FEES ...	209	QUARTER SESSIONS—COURTS OF—	
MARRIAGES—DECENNIAL RETURN ...	3	Committals, Trials, Convictions, and Acquittals ...	52
Search Fees, &c. ...	217	Indictments and Informations in ...	60
MEASURES—		RAGGED SCHOOLS ...	14
In use ...	231	RAILWAYS—	
Examining, Comparing, and Stamping—Fees ...	229	Traffic during each Month of the Year ...	241
METEOROLOGY ...	293	(Decennial Return) ...	241
MILITARY—		RATES OF WAGES—AVERAGE (DECENNIAL RETURN) ...	18
Forces ...	287	REAL PROPERTY ACT—TRANSACTIONS UNDER ...	280
Expenditure ...	247	" CROWN GRANTS REGISTERED ...	280
MILLS AND MANUFACTURES—CONTENTS ...	157	" FEES ...	218
MILLS—			
For Grinding and Dressing Grain ...	158		
(Decennial Return) ...	159		
MINERS' RIGHTS AND BUSINESS LICENCES ISSUED ...	284		
Fees ...	206		
MINES—			
Coal, Copper, Iron, Tin, &c. ...	175		
MINT, ROYAL BRANCH, SYDNEY—			
Gold in ...	232		
Gold Received and Issued since its opening ...	240		
Gold Received by Escort ...	174		
Charges ...	200		

	PAGE.		PAGE.
REFORMATORY AND INDUSTRIAL SCHOOLS	14-28	SUGAR-CANE GROWN IN THE COLONY—(See "AGRICULTURE")	183
REGISTERED ELECTORS, &c.	290	SUICIDES—	
RELIGION, EDUCATION, AND CRIME—CONTENTS	23	In each Month of the Year	16
REVENUE—CUSTOMS	156	(Decennial Return)	16
RICE, IMPORTED—DUTY ON	199	SUMMARY JURISDICTION	59-61
ROAD TRUSTS	251	SUNDAY SCHOOLS—	
ROMAN CATHOLIC ORPHAN SCHOOL	14-28	Of each Denomination	25
ROPE, IMPORTED—DUTY ON	199	(Decennial Return)	26
RUM DISTILLED IN THE COLONY—(DECENNIAL RETURN)	171	SUPREME AND CIRCUIT COURTS—	
RUNS FOR PASTORAL PURPOSES—RENTS AND ASSESSMENTS OF	206	Criminal Cases	50
SAGO, IMPORTED—DUTY ON	199	Civil Cases	281
SALT AND SALT-PETRE, IMPORTED—DUTY ON	199	Indictments and Informations, in the	60
SALT MEAT—		Fees	220
Imported (Decennial Return)	144	SYDNEY FEMALE SCHOOL OF INDUSTRY	14
Exported (Ditto)	144	SYDNEY FEMALE REFUGE	14
SARSAPARILLA, IMPORTED—DUTY ON	199	SYDNEY GRAMMAR SCHOOL	28
SASHES, IMPORTED—DUTY ON	199	SYDNEY SAILORS' HOME	15
SCHOOLS—		TALLOW—	
Aboriginal Mission, Maloga	28	Imported (Decennial Return)	145
Under Council of Education	28	Made in each Police District, &c.	170
Protestant Orphan School	14-28	(Decennial Return)	171
Roman Catholic Orphan School	14-28	TAXES, DUTIES, &c.	198
Nautical School Ship "Vernon"	14-28	TEA, IMPORTED—DUTY ON	199
Reformatory and Industrial Schools	14-28	TELEGRAMS	242
Asylum for Destitute Children	14-28	Charges for Transmission	213
Sydney Female School of Industry	14	TIMBER—	
Deaf and Dumb and Blind Institution	14-28	Imported (Decennial Return)	146
Ragged Schools	14	Duty on	199
Summary of Schools, and Scholars and Receipts	28	Exported (Decennial Return)	146
Public	28	Licenses to cut	207
Denominational	28	TIN MINES—QUANTITY RAISED, AND VALUE	175
Private	27-28	TOBACCO—	
(Decennial Return)	28	Imported—Duty on	199
Sunday	25	Manufactured during the Year	169
(Decennial Return)	26	(Decennial Return)	169
Of Art, Public Libraries, &c.	30	Grown in the Colony—(See "AGRICULTURE.")	183
SHEEPOWNERS—CONTRIBUTIONS PAYABLE BY	228	TOLLS—FELS	208
SHIPPING—STEAM AND SAILING VESSELS—		TONNAGE DUTY	208
Inwards—Countries from whence arrived	149	TOWN ALLOTMENTS—(See "LAND SALES")	298
Nationality of	151	TRADE AND COMMERCE—CONTENTS	65
Ports at which entered	151	TRADE MARKS—REGISTRATION FEES	219
(Decennial Return)	151	TRAFFIC AND MOLASSES, IMPORTED—DUTY ON	199
Outwards—Countries to which departed	152	TURPENTINE, IMPORTED—DUTY ON	199
Nationality of	154	UNIVERSITY OF SYDNEY—STUDENTS	28, 29
Ports from which departed	154	" (GRADUATES, &c., &c.	29
(Decennial Return)	154	VACCINATION	292
Engaged in the Fisheries—(Decennial Return)	148	VARNISH, IMPORTED—DUTY ON	199
Built and Registered—Number, Tonnage, and Description	155	" VERNON"—NAUTICAL SCHOOL SHIP	14-28
(Decennial Return)	155	VESSELS—(See "SHIPPING")	149
SHIPPING MASTERS—ENGAGEMENT AND DISCHARGE OF CREWS—CHARGES	210	VINEGAR, IMPORTED—DUTY ON	199
SHOT, IMPORTED—DUTY ON	199	VINEYARDS—(See "AGRICULTURE")	183
SHUTTERS, IMPORTED—DUTY ON	199	VOLUNTEER CORPS AND COMPANIES	288
SLAUGHTER-HOUSES—INSPECTION FEE	228	" NAVAL BRIGADE	289
SOAP—		" EXPENSE ON ACCOUNT OF	247
Manufactured during the Year	168	WAGES—AVERAGE RATES OF (DECENNIAL RETURN)	18
(Decennial Return)	169	WAREHOUSES, BONDED—DUTY ON	200
SODA CRYSTALS, IMPORTED—DUTY ON	199	WATERWORKS	277
SPICES, IMPORTED—DUTY ON	199	WEIGHTS IN USE	231
SPIRIT MERCHANTS—REGISTRATION FEES	207	" COMPARING AND STAMPING—FEES	229
SPIRITS—		WHALE FISHERIES—(DECENNIAL RETURN)	148
Imported—Duty on	199	WHARFAGE RATES	200
Brandy made in the Colony—(See "AGRICULTURE")	183	WINE—	
Colonial Distilled (Decennial Return)	171	Imported—Duty on	199
Colonial Brandy—Duty on	198	Made in the Colony—(See "AGRICULTURE")	183
Licenses to distil, and for rectifying and compounding	207	WINE, CIDER, AND PERRY—LICENSE FEES	199
ST. ANDREW'S COLLEGE	28	WOOL—	
ST. PAUL'S COLLEGE	28	Exported (Decennial Return)	145
ST. JOHN'S COLLEGE	28	Licenses on (Ditto)	279
STARCH, IMPORTED—DUTY ON	199	Registration Fees	217
STATISTICAL VIEW OF THE COLONY FROM EARLIEST PERIOD		WOOLLENS—	
STOCKS IN BONDED WAREHOUSES	155	Manufactured	168
SUCCADES, IMPORTED—DUTY ON	199	(Decennial Return)	168
SUGAR—		WOOLPACKS, IMPORTED—DUTY ON	199
Made in the Colony, and number of Manufactories	169		
Imported—Duty on	199		
Refined—(Decennial Return)	170		

STATISTICAL REGISTER

OF

NEW SOUTH WALES,

1877.

PART I.

POPULATION, IMMIGRATION, VITAL STATISTICS, &c.

CONTENTS.

Number of Return.		Page.
1	Population on 31 December	2
2	" (Decennial Return)	2
3	Marriages—(Decennial Return)	3
4	Births and Deaths—for each Quarter of the year	3
5	" " (Decennial Return)	3
6	Immigration—(Decennial Return)	4
7	Hospital for the Insane, Gladesville	5
8	Free Lunatic Asylum, Parramatta	6
9	Convict Lunatic Asylum, Parramatta	7
10	Criminal Lunatic Asylum, Parramatta	8
11	Lunatic Asylum for Imbeciles and Institution for Idiots, Newcastle	9
12	Temporary Lunatic Asylum, Cooma	10
13	Lunatic Receiving House, Darlinghurst	11
14	Bay View House Lunatic Asylum, Cook's River Road	12
15	Charitable Institutions	13
16	Suicides—Distinguishing modes of Death and Number in each Month... ..	16
17	" (Decennial Return)	16
18	Diseases in the several Gaols	17
19	Diseases in Police Gaols	17
20	Average Rates of Wages—(Decennial Return)	18
21	Current Prices paid for Labour, House Rent, Clothing, Provisions, &c., &c.	19
22	Average Prices of Provisions and Clothing—(Decennial Return)	21

POPULATION.

No. 1.—RETURN of the INCREASE and DECREASE of the POPULATION of the Colony, from the 1st of January to the 31st of December, 1877, and of the total Number on the latter date.

	Males.	Females.	Total.	General Total.
IMMIGRATION AND BIRTHS—				
Increase by Immigration (Seaward)	^a 27,417	11,211	38,628	
Births	12,292	11,559	23,851	
TOTAL INCREASE	39,709	22,770	62,479
EMIGRATION AND DEATHS—				
Decrease by Departure (Seaward)	^b 14,378	5,796	20,174	
Deaths	5,877	3,992	9,869	
TOTAL DECREASE	20,255	9,788	30,043
NET INCREASE	19,454	12,982	32,436
Estimated Population on 31st December, 1876	347,869	281,907	629,776
Estimated Population on 31st December, 1877	367,323	294,889	662,212

^a Includes 884 Chinese.

^b Includes 490 Chinese.

N.B.—There are no means of ascertaining the overland migration between New South Wales and the neighbouring Colonies.

No. 2.—DECENNIAL RETURN of the POPULATION of the Colony.

Year.	Estimated Population on 31st December.			Year.	Estimated Population on 31st December.		
	Males.	Females.	Total.		Males.	Females.	Total.
1868	260,414	206,351	466,765	1873	307,329	252,946	560,275
1869	271,005	214,351	485,356	1874	321,447	262,831	584,278
1870	280,350	222,511	502,861	1875	334,461	272,191	606,652
1871	284,151	235,031	519,182	1876	347,869	281,907	629,776
1872	295,680	243,510	539,190	1877	367,323	294,889	662,212

STATISTICS—1877.

3

MARRIAGES.

No. 3.—DECENNIAL RETURN of the Number of MARRIAGES registered in the Colony.

DENOMINATION.	1868.	1869.	1870.	1871.	1872.	1873.	1874.	1875.	1876.	1877.
	No.	No.	No.	No.	No.	No.	No.	No.	No.	No.
Church of England	1,024	1,018	1,159	1,232	1,381	1,547	1,572	1,618	1,759	1,869
Roman Catholic	912	901	908	885	836	992	837	953	921	990
Presbyterian	698	663	548	648	827	914	886	906	761	854
Wesleyan Methodist	333	313	363	364	397	462	518	502	487	509
Primitive Methodist	51	58	70	60	73	60	60	93	101	110
Congregationalist	96	106	82	99	148	164	180	186	232	243
Baptist	21	25	37	30	51	44	52	46	39	70
Unitarian	2	4	3	4	3	3	1	1
Hebrew	13	13	4	10	6	10	10	11	14	20
Protestant Episcopal	2	5	16	16	3
Free Church of England	350	446	451	395
German Evangelical	2	2	7	4	9	7	14	17	19	20
Christians	1	6	1	3	3	4	4	3
Free Gospel Church	1
Free Christian Church	2	2
Registrars' Offices	233	243	215	219	191	179	208	250	275	303
TOTALS	3,736	3,799	3,848	3,953	3,925	4,384	4,343	4,605	4,630	4,994

BIRTHS AND DEATHS.

No. 4.—RETURN of the Number of BIRTHS and DEATHS of both Sexes, registered in the Colony during each Quarter of the Year 1877.

Quarter ending	Births.			Quarter ending	Deaths.		
	Males.	Females.	Total.		Males.	Females.	Total.
31 March	2,899	2,721	5,620	31 March	1,710	1,133	2,843
30 June	2,983	2,854	5,837	30 June	1,539	1,120	2,659
30 September	3,339	3,082	6,421	30 September	1,274	853	2,127
31 December	3,071	2,902	5,973	31 December	1,354	886	2,240
TOTAL... ..	12,292	11,559	23,851	TOTAL... ..	5,877	3,992	9,869

No. 5.—DECENNIAL RETURN of BIRTHS and DEATHS registered in the Colony.

Year.	Births.			Year.	Deaths.		
	Males.	Females.	Total.		Males.	Females.	Total.
1868	9,557	8,928	18,485	1868	4,279	2,946	7,225
1869	9,872	9,371	19,243	1869	3,972	2,719	6,691
1870	10,009	9,639	19,648	1870	4,009	2,549	6,558
1871	10,326	9,817	20,143	1871	3,882	2,525	6,407
1872	1,0276	9,974	20,250	1872	4,442	3,026	7,468
1873	10,952	10,492	21,444	1873	4,599	3,012	7,611
1874	11,323	10,855	22,178	1874	5,022	3,630	8,652
1875	11,380	11,148	22,528	1875	6,245	4,526	10,771
1876	11,791	11,507	23,298	1876	6,508	4,685	11,193
1877	12,292	11,559	23,851	1877	5,877	3,992	9,869

IMMIGRATION.

No. 6.—DECENNIAL RETURN of the Number of IMMIGRANTS who arrived in the Colony from the United Kingdom.

Year.	Immigrants at the Public Expense.							Immigrants at their own Expense. *							* Total Number of Immigrants arrived.					Religion of Immigrants at the Public Expense.			Native Countries of Immigrants at the Public Expense.				
	Adults.			Children.			Total.	Adults.			Children.			Total.	Adults.			Children.	General Total.	Protestants.	Roman Catholics.	Other Religions.	England and Wales.	Scotland.	Ireland.	Other Countries.	
	Male.	Female.	Total.	Male.	Female.	Total.		Male.	Female.	Total.	Male.	Female.	Total.		Male.	Female.	Total.										
1868 ...	183	215	398	41	31	72	470	393	253	646	51	56	107	753	576	468	1,044	179	1,223	187	282	1	99	41	324	6	
†1869	†47	412	263	675	102	777
1870	474	348	822	198	1,020	474	348	822	198	1,020
1871 ...	28	299	327	15	15	30	357	376	248	624	68	63	131	755	404	547	951	161	1,112	281	76	259	10	75	13	
1872 ...	25	271	296	16	14	30	326	248	172	420	51	45	96	516	273	443	716	126	842	261	65	240	70	7	9	
1873 ...	13	119	132	3	5	8	140	518	238	756	77	60	137	893	531	357	888	145	1,033	108	32	104	2	34	
1874 ...	427	411	838	109	133	242	1,080	342	218	560	32	13	45	605	769	629	1,398	287	1,685	721	359	533	108	433	6	
1875 ...	395	324	719	135	119	254	973	299	166	465	33	35	68	533	694	490	1,184	322	1,506	675	298	494	163	306	10	
1876 ...	642	429	1,071	208	184	392	1,463	346	180	526	72	52	124	650	988	609	1,597	516	2,113	1,086	375	2	841	188	407	27	
1877 ...	2,892	1,627	4,519	743	756	1,499	6,018	403	210	613	74	52	126	739	3,295	1,837	5,132	1,625	6,757	4,554	1,403	61	3,689	418	1,446	465	

* By Vessels direct from the United Kingdom only.

† 1869.—The Government Immigration Regulations were cancelled in 1867; immigration therefore in fact ceased in 1868, but at the commencement of 1869 47 individuals arrived, being those who failed to avail themselves of their embarkation orders in the early part of 1868.

NOTE.—1877.—The total number of persons arriving in the Colony was 38,628. This number includes *Intercolonial* as well as *Foreign* arrivals.

STATISTICS—1877.

HOSPITAL FOR THE INSANE, GLADESVILLE.

No. 7.—RETURN showing the Admissions, Re-admissions, Discharges, Deaths, &c., of PATIENTS, in the HOSPITAL FOR THE INSANE, GLADESVILLE, including the BRANCH ASYLUM AT CALLAN PARK, during the Year 1877.

In the Asylum on 31 December, 1876.			Admissions in the Year 1877.									Total Number of Patients under care.			Patients discharged, died, and escaped.									Remaining in the Asylum on 31 December, 1877.			Average numbers resident during the Year 1877.			Percentage of Recoveries on Admissions during the Year 1877.			Percentage of Patients relieved during the Year 1877.			Percentage of Deaths on average numbers resident.														
			Admitted for the first time.			Re-admitted.			Transferred from other Asylums.						Total.			Discharged recovered.			Discharged relieved.																		Removed not improved or transferred.			Died.			Escaped and not recaptured within 14 days.			Total Number discharged, died, and escaped.		
M.	F.	Total.	M.	F.	Total.	M.	F.	Total.	M.	F.	Total.	M.	F.	Total.	M.	F.	Total.	M.	F.	Total.	M.	F.	Total.	M.	F.	Total.	M.	F.	Total.	M.	F.	Total.	M.	F.	Total.	M.	F.	Total.	M.	F.	Total.	M.	F.	Total.						
349	267	616	247	97	344	60	24	84	4	1	5	311	122	433	660	389	1049	129	64	193	13	17	30	125	21	146	38	10	48	1	...	1	306	112	418	354	277	631	343	263	606	41'48	52'46	44'57	4'18	13'93	6'92	11'07	3'80	7'92
Native Countries of the Patients.																																																		
British Colonies.									Great Britain.									France.			Germany.			China.			Other Countries.																							
New South Wales.						Other Colonies.			England.			Scotland.			Ireland.																																			
M.	F.	Total.	M.	F.	Total.	M.	F.	Total.	M.	F.	Total.	M.	F.	Total.	M.	F.	Total.	M.	F.	Total.	M.	F.	Total.	M.	F.	Total.	M.	F.	Total.	M.	F.	Total.	M.	F.	Total.	M.	F.	Total.	M.	F.	Total.	M.	F.	Total.						
151	94	245	13	5	18	212	91	303	47	25	72	148	162	310	11	11	21	4	25	16	16	41	8	49																								
Ages of the Patients.																																																		
1 to 5 years.			5 to 10 years.			10 to 15 years.			15 to 20 years.			20 to 30 years.			30 to 40 years.			40 to 50 years.			50 to 60 years.			60 to 70 years.			70 to 80 years.			80 years and upwards.																				
M.	F.	Total.	M.	F.	Total.	M.	F.	Total.	M.	F.	Total.	M.	F.	Total.	M.	F.	Total.	M.	F.	Total.	M.	F.	Total.	M.	F.	Total.	M.	F.	Total.	M.	F.	Total.	M.	F.	Total.	M.	F.	Total.	M.	F.	Total.									
2	2	1	1	6	3	9	15	15	30	139	75	214	199	107	306	150	99	249	87	61	148	49	18	67	12	11	23																		

STATISTICS—1877.

FREE LUNATIC ASYLUM, PARRAMATTA.

No. 8.—RETURN showing the Admissions, Re-admissions, Discharges, Deaths, &c., of PATIENTS in the FREE LUNATIC ASYLUM, PARRAMATTA, during the Year 1877.

In the Asylum on 31 December, 1876.			Admissions in the year 1877.									Total Number of Patients under care.	Patients discharged, died, and escaped.															Remaining in the Asylum on 31 December, 1877.			Average numbers resident during the year 1877.			Percentage of Recoveries on Admissions during the year 1877.			Percentage of Patients relieved during the year 1877.			Percentage of Deaths on average numbers resident.										
			Admitted for the first time.			Re-admitted.			Transferred from other Asylums.				Total.			Discharged recovered.			Discharged relieved.			Removed not improved or transferred.			Died.																		Escaped and not recaptured within 14 days.			Total number discharged, died, and escaped.				
M.	F.	Total.	M.	F.	Total.	M.	F.	Total.	M.	F.	Total.	M.	F.	Total.	M.	F.	Total.	M.	F.	Total.	M.	F.	Total.	M.	F.	Total.	M.	F.	Total.	M.	F.	Total.	M.	F.	Total.	M.	F.	Total.	M.	F.	Total.	M.	F.	Total.						
545	194	739	55	6	61	55	6	61	600	200	800	5	...	5	4	...	4	1	...	1	48	6	54	58	6	64	542	194	736	540	196	736	9.09	...	8.20	7.27	...	6.55	8.88	3.06	7.33
Native Countries of the Patients.																																																		
British Colonies.									Great Britain.									France.			Germany.			China.			Other Countries.																							
New South Wales.			Other Colonies.			England.			Scotland.			Ireland.																																						
M.	F.	Total.	M.	F.	Total.	M.	F.	Total.	M.	F.	Total.	M.	F.	Total.	M.	F.	Total.	M.	F.	Total.	M.	F.	Total.	M.	F.	Total.	M.	F.	Total.	M.	F.	Total.	M.	F.	Total.	M.	F.	Total.	M.	F.	Total.	M.	F.	Total.						
79	19	98	3	2	5	174	49	223	44	12	56	203	113	316	6	1	7	28	2	30	33	33	30	2	32																								
Ages of the Patients.																																																		
1 to 5 years.			5 to 10 years.			10 to 15 years.			15 to 20 years.			20 to 30 years.			30 to 40 years.			40 to 50 years.			50 to 60 years.			60 to 70 years.			70 to 80 years.			80 years and upwards.																				
M.	F.	Total.	M.	F.	Total.	M.	F.	Total.	M.	F.	Total.	M.	F.	Total.	M.	F.	Total.	M.	F.	Total.	M.	F.	Total.	M.	F.	Total.	M.	F.	Total.	M.	F.	Total.	M.	F.	Total.	M.	F.	Total.												
.....	1	1	40	6	46	164	38	202	203	61	264	88	64	152	76	25	101	24	5	29	4	1	5																		

CONVICT LUNATIC ASYLUM, PARRAMATTA.

No. 9.—RETURN showing the Admissions, Re-admissions, Discharges, Deaths, &c., of Patients in the CONVICT LUNATIC ASYLUM, PARRAMATTA, during the Year 1877.

In the Asylum on 31 December, 1876.			Admissions in the year 1877.									Total Number of Patients under care.	Patients discharged, died, and escaped.										Remaining in the Asylum on 31 December, 1877.			Average numbers resident during the Year 1877.			Percentage of Recoveries on Admissions during the Year 1877.			Percentage of Patients relieved during the Year 1877.			Percentage of Deaths on average numbers resident.												
			Admitted for the first time.			Re-admitted.			Transferred from other Asylums.				Total.			Discharged recovered.			Discharged relieved.			Removed not improved or transferred.																Died.			Escaped and not recaptured within 14 days.			Total Number discharged, died, and escaped.			
M.	F.	Total.	M.	F.	Total.	M.	F.	Total.	M.	F.	Total.	M.	F.	Total.	M.	F.	Total.	M.	F.	Total.	M.	F.	Total.	M.	F.	Total.	M.	F.	Total.	M.	F.	Total.	M.	F.	Total.	M.	F.	Total.	M.	F.	Total.						
22	7	29	22	7	29	1	1	2	1	1	2	21	6	27	21	6	27	476	1666	740
Native Countries of the Patients.																																															
British Colonies.									Great Britain.									France.			Germany.			China.			Other Countries.																				
New South Wales.			Other Colonies.						England.			Scotland.			Ireland.																																
M.	F.	Total.	M.	F.	Total.	M.	F.	Total.	M.	F.	Total.	M.	F.	Total.	M.	F.	Total.	M.	F.	Total.	M.	F.	Total.	M.	F.	Total.	M.	F.	Total.	M.	F.	Total.	M.	F.	Total.	M.	F.	Total.	M.	F.	Total.						
.....	12	5	17	1	1	9	2	11						
Ages of the Patients.																																															
1 to 5 years.			5 to 10 years.			10 to 15 years.			15 to 20 years.			20 to 30 years.			30 to 40 years.			40 to 50 years.			50 to 60 years.			60 to 70 years.			70 to 80 years.			80 years and upwards.																	
M.	F.	Total.	M.	F.	Total.	M.	F.	Total.	M.	F.	Total.	M.	F.	Total.	M.	F.	Total.	M.	F.	Total.	M.	F.	Total.	M.	F.	Total.	M.	F.	Total.	M.	F.	Total.	M.	F.	Total.	M.	F.	Total.									
.....	1	1	5	4	9	14	2	16	3	3									

STATISTICS—1877.

CRIMINAL LUNATIC ASYLUM, PARRAMATTA.

No. 10.—RETURN showing the Admissions, Re-admissions, Discharges, Deaths, &c., of PATIENTS in the CRIMINAL LUNATIC ASYLUM, PARRAMATTA, during the Year 1877.

In the Asylum on 31 December, 1876.			Admissions in the Year 1877.												Total number of Patients under care.	Patients discharged, died, and escaped.												Remaining in the Asylum on 31 December, 1877.			Average numbers resident during the Year 1877.			Percentage of Recoveries on Admissions during the Year 1877.			Percentage of Patients relieved during the Year 1877.			Percentage of Deaths on average numbers resident.																	
			Admitted for the first time.			Re-admitted.			Transferred from other Asylums.			Total.				Discharged recovered.			Discharged relieved.			Removed not improved or transferred.			Died.																		Escaped and not recaptured within 14 days.			Total number discharged, died, and escaped.											
M.	F.	Total.	M.	F.	Total.	M.	F.	Total.	M.	F.	Total.	M.	F.	Total.	M.	F.	Total.	M.	F.	Total.	M.	F.	Total.	M.	F.	Total.	M.	F.	Total.	M.	F.	Total.	M.	F.	Total.	M.	F.	Total.	M.	F.	Total.	M.	F.	Total.													
34	5	39	10	...	10	1	...	1	11	...	11	45	5	50	3	...	3	...	1	1	2	...	2	2	...	2	7	1	8	38	4	42	37	4	41	27	27	...	27	27	9	09	5	40	...	4	87
Native Countries of the Patients.																																																									
British Colonies.									Great Britain.									France.			Germany.			China.			Other Countries.																														
New South Wales.			Other Colonies.			England.			Scotland.			Ireland.																																													
M.	F.	Total.	M.	F.	Total.	M.	F.	Total.	M.	F.	Total.	M.	F.	Total.	M.	F.	Total.	M.	F.	Total.	M.	F.	Total.	M.	F.	Total.	M.	F.	Total.	M.	F.	Total.	M.	F.	Total.	M.	F.	Total.	M.	F.	Total.																
4	1	5	1	1	13	13	2	2	16	4	20	6	6	3	3																															
Ages of the Patients.																																																									
1 to 5 years.			5 to 10 years.			10 to 15 years.			15 to 20 years.			20 to 30 years.			30 to 40 years.			40 to 50 years.			50 to 60 years.			60 to 70 years.			70 to 80 years.			80 years and upwards.																											
M.	F.	Total.	M.	F.	Total.	M.	F.	Total.	M.	F.	Total.	M.	F.	Total.	M.	F.	Total.	M.	F.	Total.	M.	F.	Total.	M.	F.	Total.	M.	F.	Total.	M.	F.	Total.	M.	F.	Total.	M.	F.	Total.																			
.....	5	1	6	9	4	13	18	18	8	8	5	...	5																									

LUNATIC ASYLUM FOR IMBECILES, &c., NEWCASTLE.

No. 11.—RETURN showing the Admissions, Re-admissions, Discharges, Deaths, &c., of PATIENTS in the LUNATIC ASYLUM for IMBECILES, &c., NEWCASTLE, during the Year 1877.

10—B

In the Asylum on 31 December, 1876.			Admissions in the Year 1877.												Total number of Patients under care.			Patients discharged, died, and escaped.												Remaining in the Asylum on 31 December, 1877.			Average numbers resident during the Year 1877.			Percentage of Recoveries on Admissions during the Year 1877.			Percentage of Patients relieved during the Year 1877.			Percentage of Deaths on average numbers resident.								
			Admitted for the first time.			Re-admitted.			Transferred from other Asylums.			Total.						Discharged recovered.			Discharged relieved.			Removed not improved or transferred.			Died.																		Escaped and not recaptured within 14 days.			Total number discharged, died, and escaped.		
M.	F.	Total.	M.	F.	Total.	M.	F.	Total.	M.	F.	Total.	M.	F.	Total.	M.	F.	Total.	M.	F.	Total.	M.	F.	Total.	M.	F.	Total.	M.	F.	Total.	M.	F.	Total.	M.	F.	Total.	M.	F.	Total.	M.	F.	Total.									
122	60	182	1	3	4	1	...	1	14	7	21	16	10	26	138	70	208	2	...	2	7	3	10	9	3	12	129	67	196	127	60	187	5.52	5.00	5.34
Native Countries of the Patients.																																																		
British Colonies.									Great Britain.									France.			Germany.			China.			Other Countries.																							
New South Wales.			Other Colonies.			England.			Scotland.			Ireland.																																						
M.	F.	Total.	M.	F.	Total.	M.	F.	Total.	M.	F.	Total.	M.	F.	Total.	M.	F.	Total.	M.	F.	Total.	M.	F.	Total.	M.	F.	Total.	M.	F.	Total.	M.	F.	Total.	M.	F.	Total.	M.	F.	Total.	M.	F.	Total.									
84	55	139	5	5	29	5	34	1	1	2	12	9	21	1	1	3	3	1	1	2	2												
Ages of the Patients.																																																		
1 to 5 years.			5 to 10 years.			10 to 15 years.			15 to 20 years.			20 to 30 years.			30 to 40 years.			40 to 50 years.			50 to 60 years.			60 to 70 years.			70 to 80 years.			80 years and upwards.																				
M.	F.	Total.	M.	F.	Total.	M.	F.	Total.	M.	F.	Total.	M.	F.	Total.	M.	F.	Total.	M.	F.	Total.	M.	F.	Total.	M.	F.	Total.	M.	F.	Total.	M.	F.	Total.	M.	F.	Total.	M.	F.	Total.												
2	1	3	12	4	16	25	14	39	26	19	45	23	17	40	13	9	22	13	2	15	9	1	10	11	1	12	4	2	6																		

STATISTICS—1877.

TEMPORARY LUNATIC ASYLUM, COOMA.

No. 12.—RETURN showing the Admissions, Re-admissions, Discharges, Deaths, &c., of PATIENTS in the TEMPORARY LUNATIC ASYLUM, COOMA, during the Year 1877.

In the Asylum on 31 December, 1876.			[Admissions in the Year 1877.]												Total number of Patients under care.	Patients discharged, died, and escaped.												Remaining in the Asylum on 31 December, 1877.			Average numbers resident during the Year 1877.			Percentage of Recoveries on Admissions during the Year 1877.			Percentage of Patients relieved during the Year 1877.			Percentage of Deaths on average numbers resident.													
			Admitted for the first time.			Re-admitted.			Transferred from other Asylums.			Total.				Discharged recovered.			Discharged relieved.			Removed not improved or transferred.			Died.																		Escaped and not recaptured within 14 days.			Total number discharged, died, and escaped.							
M.	F.	Total.	M.	F.	Total.	M.	F.	Total.	M.	F.	Total.	M.	F.	Total.	M.	F.	Total.	M.	F.	Total.	M.	F.	Total.	M.	F.	Total.	M.	F.	Total.	M.	F.	Total.	M.	F.	Total.	M.	F.	Total.	M.	F.	Total.	M.	F.	Total.									
...	4	...	4	60	...	60	64	...	64	64	...	64	1	...	1	1	...	1	63	...	63	62	...	62	161	...	161
Native Countries of the Patients.																																																					
British Colonies.									Great Britain.									France.			Germany.			China.			Other Countries.																										
New South Wales.			Other Colonies.			England.			Scotland.			Ireland.																																									
M.	F.	Total.	M.	F.	Total.	M.	F.	Total.	M.	F.	Total.	M.	F.	Total.	M.	F.	Total.	M.	F.	Total.	M.	F.	Total.	M.	F.	Total.	M.	F.	Total.	M.	F.	Total.	M.	F.	Total.	M.	F.	Total.	M.	F.	Total.	M.	F.	Total.	M.	F.	Total.						
6	6	3	3	18	18	4	4	18	18	1	1	1	1	1	1	1	4	4	9	9																							
Ages of the Patients.																																																					
1 to 5 years.			5 to 10 years.			10 to 15 years.			15 to 20 years.			20 to 30 years.			30 to 40 years.			40 to 50 years.			50 to 60 years.			60 to 70 years.			70 to 80 years.			80 years and upwards.																							
M.	F.	Total.	M.	F.	Total.	M.	F.	Total.	M.	F.	Total.	M.	F.	Total.	M.	F.	Total.	M.	F.	Total.	M.	F.	Total.	M.	F.	Total.	M.	F.	Total.	M.	F.	Total.	M.	F.	Total.	M.	F.	Total.	M.	F.	Total.	M.	F.	Total.									
.....	1	1	15	15	27	27	16	16	5	5															

LUNATIC RECEIVING HOUSE, DARLINGHURST.

No. 13.—RETURN showing the Admissions, Re-admissions, Discharges, Deaths, &c., of PATIENTS in the LUNATIC RECEIVING HOUSE, DARLINGHURST, during the Year 1877.

In the Asylum 31 December, 1876.			Admissions in the Year 1877.												Total Number of Patients under care.	Patients discharged, died, and escaped.												Remaining in the Asylum on 31 December, 1877.			Average numbers resident during the Year 1877.			Percentage of Recoveries on Admissions during the Year 1877.			Percentage of Patients relieved during the Year 1877.			Percentage of Deaths on average numbers resident.										
			Admitted for the first time.			Re-admitted.			Transferred from other Asylums.			Total.				Discharged recovered.			Discharged relieved.			Removed not improved or transferred.			Died.																		Escaped and not recaptured within 14 days.			Total number discharged, died, and escaped.				
M.	F.	Total.	M.	F.	Total.	M.	F.	Total.	M.	F.	Total.	M.	F.	Total.	M.	F.	Total.	M.	F.	Total.	M.	F.	Total.	M.	F.	Total.	M.	F.	Total.	M.	F.	Total.	M.	F.	Total.	M.	F.	Total.	M.	F.	Total.									
6	3	9	220	92	312	21	7	28	241	99	340	247	102	349	15	4	19	226	94	320	2	1	3	243	99	342	4	3	7	4	2	6	6'22	4'04	5'58	50'00	50'00	50'00
Native Countries of the Patients.																																																		
British Colonies.									Great Britain.															France.			Germany.			China.			Other Countries.																	
New South Wales.			Other Colonies.						England.			Scotland.			Ireland.																																			
M.	F.	Total.	M.	F.	Total.	M.	F.	Total.	M.	F.	Total.	M.	F.	Total.	M.	F.	Total.	M.	F.	Total.	M.	F.	Total.	M.	F.	Total.	M.	F.	Total.	M.	F.	Total.	M.	F.	Total.	M.	F.	Total.	M.	F.	Total.	M.	F.	Total.						
54		54	25		25	9		9	3		3	12		12	83	26	109	18	6	24	64	41	105	5	5	5	5	5	2	2		2	7	1	8												
Ages of the Patients.																																																		
1 to 5 years.			5 to 10 years.			10 to 15 years.			15 to 20 years.			20 to 30 years.			30 to 40 years.			40 to 50 years.			50 to 60 years.			60 to 70 years.			70 to 80 years.			80 years and upwards.																				
M.	F.	Total.	M.	F.	Total.	M.	F.	Total.	M.	F.	Total.	M.	F.	Total.	M.	F.	Total.	M.	F.	Total.	M.	F.	Total.	M.	F.	Total.	M.	F.	Total.	M.	F.	Total.	M.	F.	Total.	M.	F.	Total.	M.	F.	Total.									
.....		1	1	1	2	2	4	9	5	14	55	21	76	97	28	125	35	26	61	30	16	46	16	2	18	1	2	3																		

STATISTICS—1877.

BAY VIEW HOUSE LUNATIC ASYLUM, COOK'S RIVER ROAD.

No. 14.—RETURN showing the Admissions, Re-admissions, Discharges, Deaths, &c., of PATIENTS in the BAY VIEW HOUSE LUNATIC ASYLUM, COOK'S RIVER ROAD, during the Year 1877.

In the Asylum on 31 December, 1877.			Admissions in the Year 1877.									Total Number of Patients under care.			Patients discharged, died, and escaped.												Remaining in the Asylum on 31 December, 1877.			Average numbers resident during the Year 1877.			Percentage of Recoveries on Admissions during the Year 1877.			Percentage of Patients relieved during the Year 1877.			Percentage of Deaths on average numbers resident.												
			Admitted for the first time.			Re-admitted.			Transferred from other Asylums.						Total.			Discharged recovered.			Discharged relieved.			Removed not improved or transferred.																		Died.			Escaped and not recaptured within 14 days.			Total number discharged, died, and escaped.			
M.	F.	Total.	M.	F.	Total.	M.	F.	Total.	M.	F.	Total.	M.	F.	Total.	M.	F.	Total.	M.	F.	Total.	M.	F.	Total.	M.	F.	Total.	M.	F.	Total.	M.	F.	Total.	M.	F.	Total.	M.	F.	Total.	M.	F.	Total.	M.	F.	Total.							
5	130	135	5	3	...	1	1	...	11	11	...	5	15	20	10	145	155	2	6	8	...	1	1	2	1	3	2	7	9	6	15	21	4	130	134	5	129	134	40'00	40'00	40'00	...	6'65	5'00	40'00	5'42	6'66
Native Countries of the Patients.																																																			
British Colonies.									Great Britain.									France.			Germany.			China.			Other Countries.																								
New South Wales.			Other Colonies.			England.			Scotland.			Ireland.																																							
M.	F.	Total.	M.	F.	Total.	M.	F.	Total.	M.	F.	Total.	M.	F.	Total.	M.	F.	Total.	M.	F.	Total.	M.	F.	Total.	M.	F.	Total.	M.	F.	Total.	M.	F.	Total.	M.	F.	Total.	M.	F.	Total.	M.	F.	Total.	M.	F.	Total.							
6	32	38	1	4	5	2	39	41	1	8	9	...	57	57	...	1	1	...	4	4													
Ages of the Patients.																																																			
1 to 5 years.			5 to 10 years.			10 to 15 years.			15 to 20 years.			20 to 30 years.			30 to 40 years.			40 to 50 years.			50 to 60 years.			60 to 70 years.			70 to 80 years.			80 years and upwards.																					
M.	F.	Total.	M.	F.	Total.	M.	F.	Total.	M.	F.	Total.	M.	F.	Total.	M.	F.	Total.	M.	F.	Total.	M.	F.	Total.	M.	F.	Total.	M.	F.	Total.	M.	F.	Total.	M.	F.	Total.	M.	F.	Total.													
...	3	20	23	5	65	70	1	24	25	1	26	27	...	7	7	...	3	3																			

CHARITABLE INSTITUTIONS.

No. 15.—RETURN showing the Number of CHARITABLE INSTITUTIONS in the Colony in the Year 1877, as well as the Number of Persons Admitted, Discharged, Died, &c.; also the Receipts and Disbursements during the same period.

INSTITUTIONS.	In the Establishment on 31st Dec., 1876.			Admitted during the Year 1877.			Discharged, &c., during the Year 1877.			Died during the Year 1877.			Remaining in the Establishment on 31st Dec., 1877.			Paupers receiving out-door Relief during the Year 1877.			Receipts during the Year 1877.			Disbursements during the Year 1877.									
	M.	F.	Total.	M.	F.	Total.	M.	F.	Total.	M.	F.	Total.	M.	F.	Total.	M.	F.	Total.	From Government.	From Voluntary Contributions, &c.	Total.	£	s.	d.	£	s.	d.				
HOSPITALS.																															
Sydney Infirmary and Dispensary	121	59	180	1499	733	2232	1303	667	1970	206	69	275	111	56	167	6415	9,193	0	3	4,152	9	3	13,345	9	6	13,352	18	9	
St. Vincent's (Sydney)	24	24	48	204	123	327	189	120	309	13	14	27	26	13	39	2600	1,322	3	10	1,322	3	10	1,369	8	5		
Albury	12	2	14	120	35	155	103	32	135	17	3	20	12	2	14	34	17	51	567	2	9	544	2	1	1,111	4	10	1,019	19	2	
Armidale and New England	13	1	14	98	14	112	91	13	104	9	1	10	11	1	12	615	15	7	211	15	6	827	11	1	689	3	5	
Bathurst	18	4	22	181	46	227	162	40	202	15	4	19	22	6	28	12	7	19	524	16	5	843	18	1	1,368	14	6	1,137	10	3	
Bourke	9	...	9	78	...	78	73	...	73	7	...	7	7	...	7	413	0	0	606	14	8	1,019	14	8	967	6	0	
Braidwood	17	4	21	14	1	15	1	2	3	2	1	3	100	0	0	203	8	5	303	8	5	287	16	4	
Carcoar	4	...	4	74	2	76	58	2	60	9	...	9	11	...	11	109	10	0	399	5	2	508	15	2	398	15	1	
Cooma	19	4	23	17	4	21	2	...	2	138	12	6	156	18	5	295	10	11	215	8	6	
Deniliquin	17	...	17	136	3	139	125	1	126	11	1	12	17	1	18	210	33	243	487	15	3	620	8	8	1,108	3	11	998	9	10	
Dubbo	7	3	10	82	6	88	75	9	84	13	...	13	1	...	1	20	5	25	356	1	7	364	15	9	720	17	4	588	0	5	
Forbes	8	2	10	85	18	103	80	17	97	7	...	7	6	3	9	20	26	46	381	10	11	435	15	3	817	6	2	731	15	11	
Glen Innes	38	...	38	31	...	31	4	...	4	3	...	3	3	2	5	300	0	0	389	15	3	689	15	3	393	14	8	
Goulburn	3	...	3	61	15	76	57	13	70	4	2	6	3	...	3	20	1	21	425	9	5	425	9	5	846	7	3	
Grafton	4	...	4	62	6	68	57	4	61	6	2	8	3	...	3	300	0	0	319	5	3	619	5	3	462	11	0	
Grenfell	13	1	14	13	...	13	...	1	1	84	15	0	81	16	10	166	11	10	258	17	8	
Gulgong	9	1	10	54	13	67	43	10	53	7	4	11	13	...	13	24	11	35	154	1	3	382	3	11	536	5	2	588	2	8	
Gundagai	3	...	3	44	...	44	38	...	38	4	...	4	5	...	5	200	0	0	315	0	6	515	0	6	436	19	6	
Hay	18	...	18	130	...	130	113	...	113	17	...	17	18	...	18	1,000	0	0	1,100	0	0	2,100	0	0	2,300	0	0	
Hill End	2	...	2	26	4	30	20	4	24	7	...	7	1	...	1	150	0	0	327	12	1	477	12	1	487	4	6	
Maitland	8	3	11	123	43	166	113	39	152	12	3	15	6	4	10	78	22	100	576	15	1	574	2	10	1,150	17	11	958	17	5	
Mudgee	14	...	14	105	7	112	98	7	105	9	...	9	12	...	12	9	300	0	0	501	3	8	801	3	8	846	3	5	
Murrurundi	1	...	1	69	5	74	60	3	63	5	1	6	5	1	6	353	16	6	358	4	4	712	0	10	541	15	9	
Muswellbrook	4	3	7	41	7	48	34	4	38	5	4	9	6	2	8	3	...	3	100	0	0	275	2	11	375	2	11	479	3	7	
Narrabri	9	...	9	69	3	72	52	2	54	14	1	15	12	...	12	450	17	0	513	9	7	964	6	7	1,006	2	5	
Newcastle	10	6	16	150	40	190	136	41	177	15	3	18	9	2	11	87	16	103	115	0	4	843	18	3	958	18	7	1,549	12	6	
Orange	9	1	10	109	24	133	90	19	109	12	2	14	16	4	20	512	14	3	542	2	7	1,054	16	10	1,022	12	1	
Parkes	3	1	4	43	8	51	39	9	48	3	...	3	4	...	4	35	41	76	115	19	5	372	3	10	488	3	3	534	3	11	
Parramatta	3	1	4	78	33	111	66	27	93	10	1	11	5	6	11	242	12	3	267	10	3	510	2	6	645	14	7	
Port Stephens (no return)
Queanbeyan	1	...	1	19	...	19	14	1	15	2	...	2	3	...	3	100	0	0	87	8	9	187	8	9	206	13	0	
Scone (Asylum also)	7	3	10	58	19	77	51	20	71	7	...	7	7	...	9	14	6	20	156	10	0	266	9	1	422	19	1	432	8	3	
Sofala	1	...	1	1	...	1	6	51	8	6	46	19	0	98	7	6	57	4	6	
Tamworth	11	2	13	124	13	137	108	15	123	15	...	15	12	...	12	16	3	19	4	9	6	644	16	6	649	6	0	641	13	6	
Tenterfield	1	...	1	22	1	23	22	...	22	...	1	1	1	...	1	91	12	6	126	19	11	218	12	5	249	17	0	
Wagga Wagga	11	...	11	155	21	176	132	20	152	16	1	17	18	...	18	681	5	2	469	15	0	1,151	0	2	862	13	8	
Warralda	5	...	5	4	...	4	1	...	1	177	11	5	177	11	5	176	1	5	
Wellington	4	...	4	35	3	38	32	2	34	3	1	4	4	...	4	233	3	1	138	18	4	372	1	5	320	14	7	
Windsor (and Benevolent Society)	23	9	32	29	4	33	20	1	21	5	2	7	27	10	37	11	10	21	400	0	0	734	13	5	1,134	13	5	716	5	0	
Wollongong	1	1	2	22	9	31	19	9	28	2	...	2	2	1	3	160	2	6	189	2	0	349	4	6	372	15	8	
Yass	3	1	4	38	12	50	33	9	42	5	3	8	3	1	4	100	0	0	286	6	8	386	6	8	494	5	5	
Young	6	1	7	70	14	84	57	14	71	15	1	16	4	...	4	706	5	8	513	7	5	1,219	13	1	556	17	11	
	401	129	530	4385	1293	5678	3843	1179	5022	515	127	642	428	116	544	9844	20,528	13	3	21,133	4	1	41,661	17	4	40,202	4	11	

* No account kept.

STATISTICS—1877.

No. 15.—RETURN of the Number of CHARITABLE INSTITUTIONS, &c., &c.—continued.

INSTITUTIONS.	In the Establishment on 31st Dec., 1876.			Admitted during the Year 1877.			Discharged, &c., during the Year 1877.			Died during the Year 1877.			Remaining in the Establishment on 31st Dec., 1877.			Paupers receiving out-door Relief during the Year 1877.			Receipts during the Year 1877.			Disbursements during the Year 1877.					
	M.	F.	Total.	M.	F.	Total.	M.	F.	Total.	M.	F.	Total.	M.	F.	Total.	M.	F.	Total.	From Government.	From Voluntary Contributions, &c.	Total.		£ s. d.	£ s. d.	£ s. d.	£ s. d.	
BENEVOLENT ASYLUMS.																											
Government Asylums—																											
Hyde Park, Sydney	272	272	544	284	284	568	220	220	440	75	75	150	261	261	522	18,754	10	1	18,754	10	1	18,754	10	1
Parramatta	240	240	480	380	380	760	328	328	656	59	59	118	233	233	466
Liverpool	663	663	1,326	927	927	1,854	705	705	1,410	170	170	340	715	715	1,430
Sydney (Pitt-street)	2	64	66	198	198	396	207	207	414	5	5	10	2	50	52	4,860	0	0	4,860	0	0	4,860	0	0
" (Children)	194	194	420	420	840	383	383	766	40	40	80	...	191	191
Parramatta	3	12	15	12	13	25	11	12	23	3	13	16	21	24	45	96	8	6	105	2	8	113	11	2
Singleton... ..	16	2	18	51	16	67	51	14	65	7	1	8	9	3	12	4	6	10	250	0	0	250	0	0	250	0	0
" (Children)	301	5	9	306	5	9	311	5	9
	924	350	1,274	1,359	510	1,869	1,085	452	1,537	236	81	317	962	327	1,289	25	30	55	23,960	18	7	23,978	18	7	23,996	18	7
" (Children)...	194	420	383	40	191	15
BENEVOLENT SOCIETIES.																											
West Maitland	6	3	9	30	7	37	28	7	35	8	3	11	107	76	183	200	0	0	200	0	0	200	0	0
Bega	18	22	40	14	5	9	19	10	0	29	15	9
	6	3	9	30	7	37	28	7	35	8	3	11	125	98	223	214	5	9	219	5	9	224	5	9
ORPHAN AND INDUSTRIAL SCHOOLS, &c.																											
Protestant Orphan School	165	90	255	35	13	48	24	19	43	176	84	260	7,459	14	3	7,459	14	3	7,459	14	3
Roman Catholic Orphan School	186	145	331	47	39	86	47	33	80	2	2	4	184	149	333
Nautical School Ship "Vernon"	100	...	100	72	...	72	80	...	80	92	...	92	3,721	14	3	3,721	14	3	3,721	14	3
Industrial School for Girls, Biloela	7	73	80	4	41	45	2	31	33	9	83	92	2,365	5	11	2,365	5	11	2,365	5	11
Reformatory for Girls, Biloela	14	14	...	1	1	...	9	9	6	6	355	14	11	355	14	11	355	14	11
Asylum for Destitute Children, Randwick	331	217	548	88	75	163	70	60	130	1	2	3	348	230	578	9,280	2	6	9,282	2	6	9,284	2	6
Sydney Female School of Industry	55	55	5	5	50	50
Deaf, Dumb, and Blind Institution	34	35	69	7	4	11	10	9	19	31	30	61	450	0	0	450	0	0	450	0	0
Ragged Schools { Kent-street, Sydney	51	56	107	51	49	100
{ Harrington-street	60	44	104	60	41	101
{ Glebe	72	62	134	61	81	142
Aboriginal Mission School, Maloga	12	7	19	1	1	2	16	17	33	400	0	0	400	0	0	400	0	0
Female Protestant Training School for Domestic Servants.*
	1018	798	1,816	253	173	426	233	166	399	4	5	9	1028	820	1,848	24,032	11	10	24,043	11	10	24,054	11	10

* Cases relieved. b Includes £4,915 15s. 6d. for maintenance of children received from the Benevolent Asylum, Sydney. c Includes £769 18s. 5d. on account of building. d Includes £750 on account of building. e No return.

No. 15.—RETURN of the Number of CHARITABLE INSTITUTIONS, &c., &c.—continued.

INSTITUTIONS.	In the Establishment on 31st Dec., 1876.			Admitted during the Year 1877.			Discharged, &c., during the Year 1877.			Died during the Year 1877.			Remaining in the Establishment on 31st Dec., 1877.			Paupers receiving out-door Relief during the Year 1877.			Receipts during the Year 1877.			Disbursements during the Year 1877.																											
	M.	F.	Total.	M.	F.	Total.	M.	F.	Total.	M.	F.	Total.	M.	F.	Total.	M.	F.	Total.	From Government.	From Voluntary Contributions, &c.	Total.	£ s. d.																											
LUNATIC AND INVALID ESTABLISHMENTS.																							£	s.	d.	£	s.	d.	£	s.	d.	£	s.	d.	£	s.	d.	£	s.	d.	£	s.	d.						
The Hospital for the Insane, Gladesville (including Branch Asylum, Callan Park)	349	267	616	311	122	433	268	102	370	38	10	48	354	277	631	16,443	11	8	16,443	11	8	16,443	11	8																						
Free Lunatic Asylum	545	194	739	55	6	61	10	...	10	48	6	54	542	194	736																						
Parramatta ... Convict Lunatic Asylum	22	7	29	1	1	2	21	6	27	17,078	11	9	17,078	11	9	17,078	11	9																						
Criminal Lunatic Asylum	34	5	39	11	...	11	5	1	6	2	...	2	38	4	42																							
Lunatic Receiving-house, Darlinghurst	6	3	9	241	99	340	241	98	339	2	1	3	4	3	7	929	12	8	929	12	8	929	12	8																						
Temporary Lunatic Asylum, Cooma	64	...	64	1	...	1	63	...	63	2,531	4	7	2,531	4	7	2,531	4	7																						
Lunatic Asylum for Imbeciles and Institution for Idiots, Newcastle	122	60	182	16	10	26	2	...	2	7	3	10	129	67	196	5,337	16	3	5,337	16	3	5,337	16	3																						
Bay View House Lunatic Asylum, Cook's River Road (Private Asylum).	5	130	135	5	15	20	4	8	12	2	7	9	4	130	134	6,714	7	6	6,714	7	6																							
	1083	666	1749	703	252	955	530	209	739	101	28	129	1155	681	1836	49,035	4	5	49,035	4	5	42,320	16	11																						
MISCELLANEOUS.																																																	
Home Institution	...	16	16	...	143	143	...	146	146	13	13	357	8	0	357	8	0	378	18	8																					
House of the Good Shepherd ^b																						
Sydney Sailors' Home	52	...	52	1203	...	1203	1223	...	1223	32	...	32																						
Sydney Female Refuge	...	34	34	...	57	57	...	51	51	40	40	1,185	0	2	1,185	0	2	1,067	8	3																					
City Night Refuge and Soup Kitchen ^d	44	...	44	2	...	2	24	...	24	621	19	8	621	19	8	559	18	8																					
Infants' Home (late Sydney Foundling Hospital).	10	12	22	26	24	50	6	5	11	16	16	32	14	15	29	1,073	0	7	1,073	0	7	1,214	14	10																					
	106	62	168	1229	224	1,453	1229	202	1,431	18	16	34	70	68	138	3,237	8	5	3,237	8	5	3,221	0	5																					
GENERAL TOTAL...	3538	2008	5546	7959	2459	10418	6948	2215	9163	874	257	1131	3651	2015	5666	10122																						
(Children)...	194	420	383	40	191	2781	117,771	13	10	33,386	16	1	151,158	9	11	142,309	14	11																			

^a For the support of Female Patients from Government Institutions. ^b No return. ^c Not given in return. ^d 67,800 meals were given during the year, and shelter afforded in 34,076 instances. ^e Cases relieved. ^f Exclusive of the Bay View House Lunatic Asylum, the Female Protestant Training School for Domestic Servants, and the Sydney Sailors' Home. ^g See reference note in previous column. ^h Exclusive of Bay View House Lunatic Asylum, Female Protestant Training School, House of the Good Shepherd, and Sydney Sailors' Home.

NOTE: Lunatic Asylums.—The following collections from relations and friends were received for maintenance of patients, and paid into the Colonial Treasury:—Hospital for the Insane, Gladesville, £1,019 18s. 4d.; Free Lunatic Asylum, Parramatta Asylums, £340 9s. 6d.; Lunatic Asylum for Imbeciles, &c., Newcastle, £295 10s.; total, £1,863 2s. 2d.

STATISTICS—1877.

SUCIDES.

No. 16.—RETURN of the Number of SUICIDES in the Colony, during the Year 1877, distinguishing the Modes of Death, and the Number in each Month.

Months.	Modes of Death.														Total.			
	M.	F.	M.	F.	M.	F.	M.	F.	M.	F.	M.	F.	M.	F.		M.	F.	Total.
January	1	1	1	1	1	1	1	1	1	1	1	1	1	1	1	1	1	5
February	1	1	1	1	1	1	1	1	1	1	1	1	1	1	1	1	1	4
March	2	2	2	2	2	2	2	2	2	2	2	2	2	2	2	2	2	7
April	1	1	1	1	1	1	1	1	1	1	1	1	1	1	1	1	1	5
May	1	1	1	1	1	1	1	1	1	1	1	1	1	1	1	1	1	7
June	1	2	2	2	2	2	2	2	2	2	2	2	2	2	2	2	2	5
July	1	1	1	1	1	1	1	1	1	1	1	1	1	1	1	1	1	4
August	2	1	1	2	2	2	2	2	2	2	2	2	2	2	2	2	2	9
September	1	1	1	1	1	1	1	1	1	1	1	1	1	1	1	1	1	3
October	1	1	1	1	1	1	1	1	1	1	1	1	1	1	1	1	1	7
November	1	1	1	1	1	1	1	1	1	1	1	1	1	1	1	1	1	6
December	1	1	1	1	1	1	1	1	1	1	1	1	1	1	1	1	1	4
Totals	9	3	9	2	6	11	11	11	5	5	5	1	1	1	1	1	1	66

No. 17.—DECENNIAL RETURN of the Number of SUICIDES in the Colony.

Year.	Modes of Death.														Total.			
	M.	F.	M.	F.	M.	F.	M.	F.	M.	F.	M.	F.	M.	F.		M.	F.	Total.
1868	2	1	13	1	2	15	1	1	8	2	1	1	1	1	1	1	1	48
1869	2	7	8	10	11	1	1	1	1	6	1	1	1	1	1	1	1	47
1870	11	1	9	3	3	7	2	1	3	2	1	1	1	1	1	1	1	41
1871	3	9	9	3	3	7	1	1	3	3	3	3	3	3	3	3	3	30
1872	7	3	9	1	8	8	1	1	11	1	1	1	1	1	1	1	1	53
1873	2	4	7	1	1	10	3	3	4	5	1	1	1	1	1	1	1	41
1874	8	3	22	2	3	9	1	1	4	10	1	1	1	1	1	1	1	64
1875	8	3	13	7	7	11	3	3	7	1	1	1	1	1	1	1	1	55
1876	8	3	7	4	4	15	2	2	17	5	5	5	5	5	5	5	5	61
1877	9	3	9	2	6	11	11	11	5	5	5	1	1	1	1	1	1	66

RATES OF WAGES.

No. 20.—DECENNIAL RETURN showing the AVERAGE RATES OF WAGES for the different Classes of Labour in the Colony.

TRADE OR CALLING.	Average Wages per diem, without Board and Lodging.		Average Wages per ann., with Board and Lodging.		Average Wages per diem, without Board and Lodging.		Average Wages per ann., with Board and Lodging.		Average Wages per diem, without Board and Lodging.		Average Wages per ann., with Board and Lodging.		Average Wages per diem, without Board and Lodging.		Average Wages per ann., with Board and Lodging.		Average Wages per diem, without Board and Lodging.		Average Wages per ann., with Board and Lodging.		Average Wages per diem, without Board and Lodging.		Average Wages per ann., with Board and Lodging.	
	1868.	1869.	1870.	1871.	1872.	1873.	1874.	1875.	1876.	1877.														
MALES.																								
Carpenters ...	Town ...	8 to 9	7 to 9	8 to 9	8 to 9	8 to 11	10s.	8 to 10	9 to 10	9 to 11	10 to 11
	Country.	50 to 70	60 to 80	60 to 80	50 to 70	60 to 80	80 to 100	60 to 80	60 to 80	104	80 to 104
Smiths...	Town ...	9 to 10	7 to 12	8 to 12	8 to 9	8 to 11	10s.	10 to 12	9 to 11/6	9 to 10	9 to 10
	Country.	50 to 70	60 to 70	70 to 80	50 to 70	60 to 80	80 to 100	60 to 80	60 to 80	80 to 90	75 to 100
Wheelwrights	Town ...	9 to 10	7 to 10	7/6 to 10	8 to 9	7 to 10	9s.	8 to 10	9 to 11/6	10	9 to 10
	Country.	50 to 70	60 to 80	60 to 80	50 to 70	60 to 80	70 to 90	60 to 80	60 to 80	104 to 120	70 to 100
Bricklayers ...	Town ...	9 to 10	7 to 10	9 to 12	8 to 10	8 to 11	10s.	10 to 11	11s.	11	10 to 12
	Country.	80 to 100	90	80	60 to 80	60 to 80	80 to 100	80 to 100	80 to 100
Masons...	Town ...	10s.	7 to 10	9 to 10	8 to 9	8 to 11	10s.	10 to 12	10 to 12	11	10 to 12
	Country.	80 to 100	90	70 to 80	60 to 80	60 to 80	80 to 100	80 to 100	80 to 100
Farm Labourers	28 to 30	30 to 33	30 to 35	26 to 30	32 to 35	30 to 35	30 to 35	30 to 35	30 to 35	35 to 45
Shepherds	30 to 35	32 to 35	30 to 35	26 to 35	30 to 40	30 to 40	30 to 35	35 to 40	30 to 40	35 to 45
FEMALES.																								
Cooks (plain)	26 to 30	26 to 32	26 to 30	30	26 to 30	30 to 40	30 to 40	30 to 40	35 to 52	32 to 65
Housemaids	26	20 to 26	20 to 26	20 to 26	20 to 26	26 to 30	26 to 30	26 to 32	26 to 34	26 to 40
Laundresses	30	26 to 30	26 to 30	26 to 30	26 to 30	26 to 30	30 to 40	32 to 40	32 to 45	32 to 45
Nursemaids	20	20	20	13 to 25	20	20 to 26	20 to 26	26 to 30	20 to 32	20 to 35
General House Servants	26 to 30	26	26 to 30	20 to 26	26	26 to 30	26 to 30	26 to 40	20 to 45	26 to 45
Farm House Servants...	}	26	20 to 26	20 to 26	20 to 26	20 to 26	26	26	26 to 35	20 to 30	26 to
Dairywomen, &c.

STATISTICS—1877.

No. 21.—RETURN showing the CURRENT PRICES paid in the months of February, June, and December, 1877, for LABOUR in some of the principal Trades of the Colony, which of course vary somewhat in different districts.

	February.			June.			December.		
*Coal-miners	10/	to 15/	per day.	} No alteration.			} No alteration.		
Compositors	1/	" 1/1	per 1,000.	} No alteration.			} No alteration.		
Stonemasons	10/	" 13/	per day.	10/	to 12/	per day.	10/	to 12/	per day.
Stonemasons' labourers...	7/	" 10/	"	} No alteration.			} No alteration.		
Plasterers	"	" 12/	"	11/	to 12/	per day.	11/	to 12/	per day.
Plasterers' labourers	8/	" 10/	"	7/6	" 9/6	"	7/6	" 9/6	"
Bricklayers	"	" 12/	"	10/	" 12/	"	10/	" 12/	"
Labourers	7/	" 8/	"	7/	" 9/	"	7/	" 9/	"
Painters	9/	" 10/	"	} No alteration.			} No alteration.		
Saddlers	45/	" 55/	per week.	} No alteration.			} No alteration.		
Tailors (paid by the piece) can average about	60/	" 70/	"	50/	to 60/	per week.	50/	to 60/	per week.
Shoemakers do. do.	60/	" 70/	"	} No alteration.			} No alteration.		
Iron-turners	1/3	" 1/4½	per hour.	1/2	to 1/4	per hour.	1/2	to 1/4	per hour.
Carpenters	"	" 1/3	"	1/3	" 1/5	"	1/3	" 1/5	"
Engine-fitters	1/2	" 1/4½	"	} No alteration.			} No alteration.		
Coppersmiths	1/4	" 1/6	"	} No alteration.			} No alteration.		
General fitters	1/1	" 1/3½	"	} No alteration.			} No alteration.		
Blacksmiths	1/2	" 1/7	"	} No alteration.			} No alteration.		
Do. strikers	1/9	" 1/11	"	} No alteration.			} No alteration.		
Iron-moulders	1/3	" 1/5	"	} No alteration.			} No alteration.		
Boiler-makers	1/2	" 1/4	"	} No alteration.			} No alteration.		
Pattern-makers	1/2	" 1/4	"	} No alteration.			} No alteration.		
Boiler-makers' assistants	1/8	" 1/11	"	} No alteration.			} No alteration.		
General labourers in iron works	1/7	" 1/8	"	} No alteration.			} No alteration.		
Brass-moulders	1/2	" 1/4	"	} No alteration.			} No alteration.		
Carriage and waggon builders	1/1	" 1/4	"	} No alteration.			} No alteration.		
Carriage-painters	1/10	" 1/4	"	} No alteration.			} No alteration.		
Sawyers, in mill	1/10	" 1/3	"	} No alteration.			} No alteration.		
Brass-finishers	1/1	" 1/3	"	} No alteration.			} No alteration.		
Machine-men, in fitting shop	"	" 1/11	"	} No alteration.			} No alteration.		

The above trades connected with the iron and engineering departments work eight hours a day, with one or two breaks.
 * The demand for miners at present is not great, and in many cases the men are only employed half-time.

The following quotations for the months of February, June, and December, 1877, are exclusive of rations or board, in town or country, which are not charged for:—

	February.		June.		December.	
	£ s.	£ s.				
Married couples for stations	55 0	to 65 0	} No alteration.		} No alteration.	
Farm labourers	35 0	" 45 0	} No alteration.		} No alteration.	
Bullock-drivers	40 0	" 52 0	} No alteration.		} No alteration.	
Horse-team drivers	40 0	" 65 0	} No alteration.		} No alteration.	
Boundary-riders	40 0	" 52 0	} No alteration.		} No alteration.	
Stockmen	40 0	" 75 0	} No alteration.		} No alteration.	
Shepherds	35 0	" 45 0	} No alteration.		} No alteration.	
Road-makers	52 0	" 65 0	} No alteration.		} No alteration.	
Grooms	40 0	" 52 0	} No alteration.		} No alteration.	
Gardeners	40 0	" 52 0	} No alteration.		} No alteration.	
" (in town)	52 0	" 65 0	} No alteration.		} No alteration.	
Blacksmiths (country)	75 0	" 100 0	} No alteration.		} No alteration.	
Bakers	1 10	" 3 0	} No alteration.		} No alteration.	
Butchers	"	" 2 10	} No alteration.		} No alteration.	
Cooks (private houses)	32 0	" 52 0	} No alteration.		} No alteration.	
" (hotels)	52 0	" 65 0	} No alteration.		} No alteration.	
Laundresses	32 0	" 45 0	} No alteration.		} No alteration.	
House and parlour maids	26 0	" 35 0	£26 to £40	per annum.	£26 to £40	per annum.
General female servants	26 0	" 45 0	} No alteration.		} No alteration.	
Nursemaids	20 0	" 35 0	} No alteration.		} No alteration.	
Grooms and coachmen (in town)	45 0	" 65 0	} No alteration.		} No alteration.	
Useful boys on stations	16 0	" 30 0	} No alteration.		} No alteration.	
Current rate of wages, without board or lodging:—						
Wheelwrights (country)	3 0	" 3 10	} No alteration.		} No alteration.	
Railway labourers	7	" 9	} No alteration.		} No alteration.	
Brick-makers	22/6	"	} No alteration.		} No alteration.	
Potters	50/	"	} No alteration.		} No alteration.	
Tinsmiths	9/	"	} No alteration.		} No alteration.	
Galvanized iron workers	10/	to 12/	} No alteration.		} No alteration.	
(The two trades last mentioned work ten hours to the day.)						
Lumpers and wharf labourers—						
Daywork for handling general cargo	1/	"	} No alteration.		} No alteration.	
Do. do. coal	1/3	"	} No alteration.		} No alteration.	
Nightwork	1/6	"	} No alteration.		} No alteration.	
Plumbers	10/	"	} No alteration.		} No alteration.	
Gas-fitters	10/	"	} No alteration.		} No alteration.	
(These two trades work eight hours to the day.)						
Coopers (on odd jobs)	12/	"	} No alteration.		} No alteration.	
Do. on piece as follows:—						
Wine casks	22/6	"	} No alteration.		} No alteration.	
Oil casks	20/	"	} No alteration.		} No alteration.	
Tierces	3/6	"	} No alteration.		} No alteration.	
Hogsheads	5/6	"	} No alteration.		} No alteration.	
Ten-gallon kegs	3/	"	} No alteration.		} No alteration.	
Five do.	2/	"	} No alteration.		} No alteration.	
Two do.	1/9	"	} No alteration.		} No alteration.	

HOUSE-RENT.

Small cottages in Sydney and Suburbs—3 or 4 rooms and kitchen	8/	to 12/	per week.
Small houses—3 or 4 rooms, with kitchen, &c.	14/	" 18/	"
Other larger houses, from	18/	"	per week, upwards.
Board and lodging for single men, from	14/	to 18/	per week.

No. 21 (continued)—RETURN showing the CURRENT PRICES of CLOTHING and PROVISIONS.

CLOTHING.			
Current Prices of Clothing in Sydney, for the Months of February, June, and December, 1877, for persons of the labouring class.			
WOMEN'S.		MEN'S.	
Blankets	7/6 to 15/	Boots, strong	6/6 per pair.
Bonnets, straw	1/	Caps	2/ each.
Calico	3/	Coats, shepherds'	12/ " 16/ "
Do. white... ..	4/	Frocks, duck	2/9 " 3/9 "
Dresses, merino or alpaca	7/6 " 16/6 each.	Handkerchiefs, cotton	4/ " 4/6 "
Do. print	2/6 " 7/	Hats, felt	2/ " 4/6 "
Do. muslin	4/ " 7/6 "	Do. Manilla or Panama	2/6 " 6/ "
Flannel	10/ " 1/6 per yard.	Do. straw	1/ " 3/ "
Mattresses	12/ " 20/ each.	Shirts, Crimean	3/6 " 6/6 "
Palliassees	10/ " 16/ "	Do. white cotton	3/ " 4/6 "
Petticoats, calico	2/6 " 4/ "	Do. coloured or striped cotton	2/ " 3/6 "
Do. flannel	4/ " 7/ "	Do. flannel (under), or merino... ..	3/6 " 6/ "
Shawls, woollen or printed	5/ " 20/ "	Shoes, strong	4/6 " 5/6 per pair.
Sheeting, grey calico	10/ " 1/6 per yard.	Socks, cotton	6/ " 10/ "
Do. white	1/ " 2/ "	Do. woollen	1/ " 1/6 "
Shifts	2/6 " 4/6 each.	Stockings, cotton	1/ " 2/ "
Shoes	4/6 " 6/ per pair.	Do. woollen	2/ " 3/ "
Stays... ..	2/6 " 5/6 each.	Trousers, common (tweed)... ..	8/ " 12/ "
Stockings	9/ " 2/ per pair.	Do. duck	2/6 " 3/ "
		Do. moleskin	5/6 " 7/ "
		Vests, common (tweed)	4/ " 6/6 each.
		Suits, drill or moleskin	30/ to 40/ "
		Do. tweed or cloth	30/ to 40/ "

PROVISIONS, &c., &c.			
Retail Prices—Current Rates for the Months of February, June, and December, 1877.			
	February.	June.	December.
Bacon... ..	8/ to 9/ per lb.	8/ to 10/ per lb.	7/ to 10/ per lb.
Blue	10/	10/	10/
Bread... ..	3 1/2 " 4 1/2 per 2lb. loaf.	3 1/2 " 4 1/2 per 2lb. loaf.	3 " 4 per 2lb. loaf.
Butter, fresh	1/ " 1 1/3 per lb.	1/9 " 1 1/3 per lb.	9/ " 9/ per lb.
Do. salt	9/	1 1/3 "	6/ "
Candles, mould	5/	5/	5/
Cheese, English	1/9 "	1/9 "	1/9 "
Do. New Zealand		1/2 "	1/2 "
Do. American		1/4 "	1/2 "
Do. Colonial	6/ " 10/ per lb.	9/ " 1/ "	5/ " 10/ "
Coffee	1/4 " 1/6 "	1/4 " 1/6 "	1/4 " 1/6 "
Eggs	1/2 per doz.	1/6 per dozen.	1/6 per dozen.
Flour, 1st	16/ per 100 lbs.	18/ per 100 lbs.	15/ per 100 lbs.
Do., 2nd	15/	17/	14/
Milk	4/ " 6/ per quart.	4/ " 6/ per quart.	4/ " 6/ per quart.
Meat—beef, fresh	3/ " 6/ per lb.	3/ " 6/ per lb.	4/ " 7/ per lb.
Do. do. salt	3/ " 4/ "	3/ " 4/ "	3/ " 4 1/2 "
Do. mutton, fresh	2/ " 3 1/2 "	2/ " 3/ "	3/ " 5/ "
Do. do. salt	2 1/2 "	2 1/2 "	3/ " 4 1/2 "
Do. pork	5/ " 8/ "	5/ " 8/ "	5/ " 8/ "
Do. veal	4 1/2 " 5/ "	4 1/2 " 7/ "	6/ " 8/ "
Mustard	1/	1/	1/
Oil—kerosene	3/ " 3/6 per gallon.	2/3 " 2/9 per gallon.	2/ " 2/2 per gallon.
Oatmeal	2 3/4 " 3/ per lb.	2 3/4 " 3/ per lb.	3/ " 3 1/2 per lb.
Pepper	8/ " 1/2 "	8/ " 1/2 "	8/ " 1/2 "
Potatoes	5/ " 7/ per cwt.	4/ " 5/ per cwt.	6/ " 8/ per cwt.
Rice	2 1/2 " 3 1/2 per lb.	2 1/2 " 3 1/2 per lb.	2 1/2 " 3 1/2 per lb.
Sago	4/	4/	4/
Salt	5/6 per cwt.	5/6 per cwt.	5/6 per cwt.
Soap	24/	26/	26/
Starch	5/ " 6/ per lb.	5/ " 6/ per lb.	5/ " 6/ per lb.
Sugar... ..	3 1/2 " 4 1/2 "	4 " 5/ "	3 3/4, 4, 4 1/2 "
Tea	1/4 " 2/6 "	1/4 " 2/6 "	1/4 " 2/6 "
Tobacco, American	3/3 " 4/ "	3/9 " 4/6 "	3/9 " 4/6 "
Do. Colonial	1/6 " 2/6 "	1/6 " 2/6 "	1/6 " 2/6 "
Honey	6/	6/	6/
Hay	£2 " £6 per ton.	£2 " £6 per ton.	£2 " £6 per ton.
Maize	3/ " 3/3 per bushel.	3/ per bushel.	5/ per bushel.
Oats	2/6 " 3/3 "	3/6 "	4/6 "
Bran	1/4 "	1/2 "	1/6 "
Pollard	1/6 "	1/2 "	1/6 "
Chaff... ..	6/ per cwt.	6/ per cwt.	4/6 " 6/ per cwt.
Coal	21/ " 25/ per ton.	21/ " 25/ per ton.	20/ " 25/ per ton.
Wood	16/	16/	16/
Apples	14/ per case.	1/ " 1/6 per dozen.	6/ " 1/ per dozen.
Pine-apples	8/ per dozen.	12/	12/ " 15/ "
Strawberries... ..	6/ " 1/ per quart.	None.	6/ " 1/ per quart.
Bananas	6/ " 1/ per dozen.	6/ " 1/ per dozen.	6/ " 1/ per dozen.
Oranges	2/ " 3/ "	6/ " 9/ "	1/ " 1/6 "
Turnips	2/ per doz. bunches.	1/6 " 2/ per doz. bunches.	2/ " 3/ per doz. bunches.
Onions	1 1/2 per lb.	1 1/2 per lb.	1/2 per lb.
Cabbages	2/ " 4/ per dozen.	2/ " 4/ per dozen.	2/6 " 5/ per dozen.
Carrots	1/6 " 2/6 per doz. bunches.	1/6 " 2/6 per doz. bunches.	2/ " 3/ per doz. bunches.
Pease... ..	2/ per peck.	2/ " 3/ per peck.	2/ " 3/ per peck.
Parsnips	1/6 " 2/6 per doz. bunches.	1/ " 2/ per doz. bunches.	2/ " 3/ per doz. bunches.
French Beans	1/6 per peck.	1/ " 1/9 per peck.	1/ " 1/6 per peck.

PROVISIONS AND CLOTHING.

No. 22.—DECENNIAL RETURN showing the AVERAGE PRICES OF PROVISIONS AND CLOTHING IN SYDNEY.

ARTICLES OF CONSUMPTION.	QUANTITY.	1868.		1869.		1870.		1871.		1872.		1873.		1874.		1875.		1876.		1877.	
		s. d.	s. d.	s. d.	s. d.	s. d.	s. d.	s. d.	s. d.	s. d.	s. d.	s. d.	s. d.	s. d.	s. d.	s. d.	s. d.	s. d.	s. d.	s. d.	s. d.
Wheat	per bushel...	6 6		6 0		5 0 to 5 6		5 10		6 0		5 9		5 6 to 6 6		5 6		5 6 to 6 0		6 6 to 7 6	
Bread, 1st quality	per lb. ...	0 2½		0 2		0 1¾ to 0 2		0 2		0 2		0 2		0 1¾ to 0 2		0 1¾		0 1¾ to 0 2		0 2 to 0 2½	
Do. 2nd do.	do. ...	0 1½		0 1½		0 1½		0 1½		0 1½		0 1½		0 1½ to 0 1¾		0 1¼		0 1¼ to 0 1½		0 1½ to 0 2	
Flour, 1st quality	do. ...	0 3		0 1¾		0 1½ to 0 1¾		14 0 (#100 lbs.)		0 1¾		14 0 (#100 lbs.)		0 1½		0 1½		0 2		0 2 to 0 2½	
Do. 2nd do.	do. ...	0 2½		0 1¼		0 1¼		12 0 do.		0 1½		12 0 do.		0 1¼ to 0 1½		0 1¼		0 1½		0 1½ to 0 2	
Rice	do. ...	0 4		0 3		0 3		0 2½		0 2¾ to 0 3		0 2½		0 2¾ to 0 3		0 3		0 2½ to 0 3		0 2½ to 0 3	
Oatmeal	do. ...	0 4		0 4		0 4		0 2½		0 2½		0 2¾		0 3¼		0 3		0 2½ to 0 3½		0 3 to 0 3½	
Tea	do. ...	2 0		2 0		1 9 to 2 0		1 9 to 2 6		1 3 to 2 3		1 3 to 2 3		1 2 to 2 6		1 0 to 2 6		1 4 to 2 0		1 4 to 2 6	
Sugar	do. ...	0 4		0 4		0 4		0 3½ to 0 4½		0 4 to 0 4½		0 3½ to 0 4½		0 3½ to 0 4½		0 3½ to 0 5		0 3 to 0 4½		0 3 to 0 4½	
Coffee	do. ...	1 4		1 0		1 0 to 1 4		1 0		1 1		1 2		1 4		1 2		1 1 to 1 3		1 1 to 1 4	
Sago	do. ...	0 7		0 6		0 5		0 3		0 4¾		0 4¾		0 3½		0 3		0 4		0 4	
Meat, Fresh	do. ...	0 2 to 0 5		0 2		0 3 to 0 4		0 2½		0 1½ to 0 3		0 2 to 0 3		0 3½ to 0 4½		0 3 to 0 4		0 3½ to 0 8		0 3½ to 0 6	
Do. Salt	do. ...	0 1½		0 2½		0 2 to 0 3		0 1¾		0 1½ to 0 3		0 3 to 0 4		0 1½ to 0 3½		0 2½ to 0 3		0 3 to 0 4		0 3½ to 0 4	
Butter, Fresh	do. ...	1 3		1 6		1 3		1 3		1 0		1 3		1 7		1 3		0 6 to 2 0		0 9 to 2 0	
Do. Salt	do. ...	0 10		1 3		1 0		1 0		0 10½		1 0		1 4		1 0		0 6 to 1 9		0 7 to 1 9	
Cheese, English	do. ...	1 4		1 6		1 6		1 0		1 6		1 0 to 1 2		1 6 to 1 8		1 4		1 2 to 1 4		1 2 to 1 8	
Do. Colonial	do. ...	0 6 to 1 0		0 6		0 6		0 6 to 0 9		0 9		0 4 to 0 6		0 6		0 9		0 6 to 0 8		0 4 to 0 8	
Salt	do. ...	0 1½		0 1		0 1		0 0½		0 0¾		65 0 to 80 0 (# ton.)		0 0½		0 1½		0 1		0 0¾ to 0 1	
Potatoes	per cwt. ...	8 0 to 10 0		4 0		5 0		4 0		5 0		3 6		4 0 to 5 6		5 6		4 6 to 5 0		4 0 to 5 6	
Wine, Colonial... ..	per gallon...	9 0		5 0 to 12 0		3 0 to 9 6		2 6 to 8 6		5 0 to 30 0		3 0 to 7 0		3 6 to 5 6		4 0 to 12 0		2 6 to 5 6		2 6 to 5 0	
Do. Imported, best... ..	do. ...	15 0 to 18 0		20 0 # doz.		16 0 to 84 0 } # dozen.		10 0 to 25 0		35 0		8 0		3 0 to 21 0		20 0 to 30 0		12 0 to 16 0		12 0 to 17 6	
Brandy	do. ...	25 0		21 0 do.		35 0 to 65 0 } # dozen.		19 0		30 0 # doz.		18 0		4 0 to 8 6		20 0 to 22 6		20 0 to 22 0		18 0 to 20 0	
Beer, Colonial	do. ...	2 0		1 4		1 4		1 9 to 2 9		1 4		2 3		2 0		2 6 to 3 6		1 0 to 1 4		1 0 to 1 4	
Do. Imported... ..	do. ...	4 0		2 10 to 3 1		115 0 to 170 0 } # hogshead.		3 4		2 7		4 0		2 10 to 3 6		4 0		3 0		2 9 to 3 3	
Candles, Tallow	per lb. ...	0 6		0 5		0 5		0 5		0 4¾		0 5		0 4½		0 4½		0 4½ to 0 5		0 4½ to 0 5	
Lamp Oil	per gallon...	5 0 to 7 0		4 6 to 5 0		4 6 to 5 0		9 0 (Sperm)		6 0 to 9 0		7 0 (Sperm)		5 0		4 6		5 0 to 5 6		
Kerosene Oil	do. ...	2 6		2 6		2 6		3 0		2 0 to 3 0		2 0 to 3 9		2 6		2 0		2 3 to 3 6		2 10 to 3 6	
Soap	per lb. ...	0 4		0 4		0 4		0 3		0 3		0 3		0 2¾		0 3		0 2½ to 0 3		0 2½ to 0 3	
Starch	do. ...	0 7		0 8		0 7		0 4½		0 5		0 5		0 5 to 0 7½		0 5		0 4½ to 0 5		0 4½ to 0 5	
Blue	do. ...	1 6		1 4		1 2		0 10		0 10½		0 10		0 10		0 9		0 9 to 0 10		0 9 to 0 9½	
Tobacco, Colonial	do. ...	1 6 to 2 0		1 0		1 0 to 1 6		1 0		1 4		2 0		1 6 to 2 0		2 0		1 0 to 2 6		1 3 to 2 6	
Do. Imported	do. ...	5 0		3 6		3 6		3 0		3 6		3 6		3 0 to 3 7		3 9		2 6 to 3 3		3 0 to 4 0	

STATISTICS—1877.

No. 22.—PROVISIONS AND CLOTHING—continued.

ARTICLES OF CLOTHING AND BEDDING.	QUANTITY.	1868.		1869.		1870.		1871.		1872.		1873.		1874.		1875.		1876.		1877.	
		s.	d.	s.	d.	s.	d.	s.	d.	s.	d.	s.	d.	s.	d.	s.	d.	s.	d.	s.	d.
ARTICLES OF CLOTHING AND BEDDING.																					
<i>Male Clothing.</i>																					
Moleskin Jackets	each.		Pilot-Cloth Jackets. 14 0 to 18 0		12 6 to 25 0		10 6		3 6 to 10 6		10 6 to 25 0		8 0 to 12 0		7 6 to 12 6		8 0 to 10 0		} Mole clothing out of date.	
Do. Coats	do.		13 0		13 0		12 0 to 21 0		12 0 to 20 0		11 6 to 18 6		10 0 to 13 6		} 10 0 to 25 0	
Pilot Coats	do.		} 30 0 to 40 0	
Overcoats	do.		} 4 0 to 6 0	
Waistcoats	do.	5 0 to 7 6		6 9		5 6 to 6 6		4 6		4 6		4 6 to 7 0		3 0 to 5 0		5 0 to 9 6		4 0 to 5 0		} 4 0 to 6 0	
Moleskin Trousers	per pair.	6 0		7 0		5 6 to 8 0		6 0		6 6		6 6		4 6 to 9 0		4 0 to 9 0		2 11 to 10 6		} 2 6 to 9 0	
Flushing do.	do.	10 0 to 15 0		12 6		12 6		5 6		6 0		6 0		3 6 to 7 0		3 9 to 8 6		3 3 to 7 6		} Flushing out of date.	
Tweed do.	do.		} 5 0 to 20 0	
Coloured Shirts	each.	3 0 to 4 0		3 3		2 6 to 5 0		3 3		3 6		3 6		1 6 to 4 6		1 9 to 9 6		1 3 to 10 6		} 1 0 to 10 6	
Strong Boots	per pair.	7 6 to 10 0		7 0		5 6 to 7 6		5 6		5 0		6 0		5 9 to 6 0		5 0 to 15 0		4 6 to 10 0		} 4 6 to 10 6	
Do. Shoes	do.		5 0		4 6 to 5 0		4 6		4 3		4 9		4 9 to 5 0		4 6 to 10 6		3 6 to 7 0		} 3 0 to 7 6	
Shepherds' Coats	each.	25 0 to 30 0		25 0		25 0		15 0		16 0		16 0		10 0 to 15 0		12 6 to 25 0		10 0 to 17 0		} 10 0 to 25 0	
Socks	per pair.	0 6 to 0 9		0 7 to 1 0		0 7 to 1 0		0 9		0 9		0 9		0 10		0 5 to 1 6		4 0 to 11 6		} per dozen. 0 4 to 1 3	
Handkerchiefs, Cotton	each.	0 6 to 1 0		0 6		0 4 to 0 6		0 6		0 6		0 6		0 4½ to 0 8		0 3 to 2 0		0 3 to 1 6		} 0 3 to 1 6	
Straw Hats	do.	3 0 to 10 0		2 6		2 6		2 6		2 9		2 6		2 6 to 3 6		1 6 to 7 0		1 1 to 7 6		} 1 1 to 10 6	
Colonial Manufactured Cabbage-tree Hats	do.		} 10 0 to 65 0	
<i>Female Clothing.</i>																					
Print Dresses	each.	6 6		7 0		6 0 to 7 0		7 0		7 6		7 6		7 6 to 12 0		5 0 to 10 6		5 0 to 10 0		} 7 6	
Merino do.	do.	20 0 to 40 0		10 0		10 0 to 30 0		10 0		11 6		11 0		15 0 to 30 0		15 0 to 30 6		12 6 to 17 0		} 15 0	
Flannel Petticoats	do.	6 6		5 6		5 6		5 6		5 6		6 6		3 6 to 8 0		2 6 to 5 3		3 0 to 8 0		} 6 0	
Calico do.	do.	5 0		3 4		3 0 to 4 0		0 7		0 9		1 0		4 0 to 8 0		1 3 to 3 0		1 3 to 3 6		} 2 6	
Stockings	per pair.	1 0		1 6		1 6		1 8		1 8		1 6		0 6 to 1 0		0 7½ to 2 0		0 6 to 1 3		} 1 0	
Shoes	do.	5 0		4 3		4 0		3 9		3 0		3 9		4 0 to 4 3		3 0 to 5 0		1 6 to 4 6		} 3 0	
Caps	each.	1 6		1 0		1 0		1 3		0 3		0 9		1 6 to 2 6		0 9 to 1 3		0 7 to 3 0		} 0 7 to 2 6	
Shawls	do.	7 6		2 0 to 8 0		6 0 to 10 0		8 0		9 0		7 6		12 6 to 13 6		3 0 to 15 0		2 6 to 8 6		} 2 6 to 10 0	
Shifts	do.	4 6		3 8		3 6		3 11		1 0 to 4 0		3 6		6 6 to 4 6		1 9 to 4 6		1 3 to 4 6		} 1 3 to 4 9	
Stays	per pair.	2 6		1 6 to 3 6		2 6		1 0 to 3 6		3 6		2 6		5 0		2 0 to 7 6		1 3 to 8 0		} 1 3 to 8 6	
Check Aprons	each.	1 0		1 2		1 2		1 0		1 0		1 0		1 0		0 9 to 1 6		0 6½ to 1 3		} 0 6 to 1 2	
Straw Bonnets	do.	5 0		8 6		4 0		2 0		2 6		2 0		2 0 to 2 6		1 3 to 5 6		1 3 to 5 0		} Out of date.	
Flannel	per yard.	1 2		1 10		1 9		2 6		2 6		2 0		2 0		1 0 to 3 9		0 10½ to 1 11		} 0 10 to 2 0	
Calico	do.	0 6 to 0 9		0 7 to 1 0		0 7		0 7		0 8		0 8		0 8 to 0 9		0 4 to 1 6		0 3½ to 0 10½		} 0 2½ to 1 6	
<i>Bedding.</i>																					
Blankets	per pair.	10 0		18 0		18 0		9 0		10 6		10		12 6 to 20 0		7 6 to 30 0		7 6 to 30 0		} 7 6 to 35 0	
Sheeting Calico	per yard.	1 6 to 2 0		1 0 to 2 6		1 0 to 2 6		2 3		2 6		2 6		1 6 to 2 6		1 2 to 2 9		1 6 to 2 6		} 1 3 to 3 0	
Mattresses	each.	15 0		18 0 to 50 0		7 6 to 20 0		15 0 to 30 0		18 0 to 37 0		25 0		12 0 to 12 6		10 0 to 40 0		35 0 to 60 0		} 17 0 to 65 0	
Rugs	do.	5 0		6 9		6 9		6 9		8 0		8 6		7 0 to 10 0		5 0 to 21 0		5 0 to 22 6		} 5 0 to 30 0	

PART II.

RELIGION, EDUCATION, AND CRIME.

CONTENTS.

Number of Return.		Page.
23	Ecclesiastical—Expense of Establishment: The Number of Churches and Chapels, and their Sittings, and the average Attendance of Persons at same, &c.	24
24	Sunday Schools of the different Denominations—showing the Number of Teachers and the Average Attendance of Scholars	25
25	Ditto ditto (Decennial Return)	26
26	Private Schools, Teachers, and Scholars in each Police District	27
27	Summary of Schools, Teachers, and Scholars—showing the amounts paid by Government and received from Voluntary Contributions	28
28	Schools, Teachers, and Scholars—(Decennial Return)	28
29	University of Sydney—Decennial Return of the number of Students	29
30	Ditto ditto ditto Graduates	29
31	Ditto ditto Receipts and Expenditure	29
32	New South Wales Academy of Art	30
33	Free Public Library	30
34	Schools of Art, Public Libraries, &c.—Amounts received from Government and Private Contributions; the Number of Volumes of Books in the Institutions, and the Number of Visits paid during the year	31
35	Australian Museum—Number of Visitors, Cost of Erection, Receipts, &c.	33
36	Gaols, and the number of Prisoners received therein; and the Education of same	34
37	Police Gaols, ditto ditto ditto	40
38	Gaols, and the Number of Prisoners in Confinement at Michaelmas, &c., &c.	42
39	Police Gaols, ditto ditto ditto	48
40	Supreme and Circuit Court Cases—Commitments for Trial, Trials, Convictions, and Acquittals	50
41	Quarter Session Cases— ditto ditto ditto	52
42	Convictions in the Supreme and Circuit Courts and Courts of Quarter Sessions—(Decennial Return)	58
43	Criminals executed—Religion, Age, &c.	58
44	Ditto (Decennial Return)	58
45	Offences—Number reported to the Police	59
46	Apprehensions and Summonses—Number of Persons brought before the Magistrates' Courts, by Arrest, Warrant, or Summons; and how their Cases were disposed of	59
47	Summary Convictions—showing the Offences and kinds of Punishments inflicted	59
48	Indictments and Informations in the Supreme and Circuit Courts and Courts of Quarter Sessions	60
49	Summary Table showing the Number of Offences reported to the Police—Apprehensions, Convictions, and Acquittals, 1876 and 1877	60
50	Apprehensions by the Police, and how disposed of in the Magistrates' Courts	61

ECCLESIASTICAL.

No. 23.—RETURN showing the Expense of the ECCLESIASTICAL ESTABLISHMENT in the Year 1877 ; also, the Number of Churches and Chapels, and their Sittings, with the average Attendance on Sundays, &c.

DENOMINATION.	Number of Ministers registered under the Act 19 Vic. Nos. 30 and 31.	Expense.			Churches and Chapels.			All other Places used for Public Worship. Average Attendance
		Salaries and Allowances.	From the Church and School Estates.	Total.	Number.	Total Number of individual Sittings.	Average Attendance.	
Church of England—		£ s. d.	£ s. d.	£ s. d.				
Diocese of Sydney—								
City and Suburbs of Sydney ...	83				45	17,970	18,159	623
Country Districts ...					72	11,652	9,388	1,966
					117	29,622	27,547	2,589
Diocese of Newcastle ...	30	9,803 11 2	2,410 13 3	12,214 4 5	89	11,491	9,189	2,284
Diocese of Goulburn ...	40				83	10,170	5,839	2,707
Diocese of Bathurst ...	30				58	8,586	5,799	3,503
Diocese of Grafton and Armidale..	20				31	3,883	2,369	2,127
	203	9,803 11 2	2,410 13 3	12,214 4 5	378	63,752	50,743	13,210
Roman Catholic Church—								
Diocese of Sydney—								
City and Suburbs of Sydney ...	66				24	7,774	20,090	70
Country Districts ...					76	8,539	9,282	2,183
					100	16,313	29,372	2,253
Diocese of Maitland ...	26	5,024 1 2	1,050 0 7	6,074 1 9	53	7,054	8,477	1,170
Diocese of Goulburn ...	26				44	4,088	7,250	1,535
Diocese of Bathurst ...	29				48	4,985	4,549	3,197
Diocese of Armidale ...	14				18	1,528	1,915	793
	161	5,024 1 2	1,050 0 7	6,074 1 9	263	33,968	51,563	8,948
Presbyterian Church—								
Presbyterian Church of New South Wales—								
City and Suburbs of Sydney ...	71				16	6,781	4,465	58
Country Districts ...					107	15,028	7,926	4,432
					123	21,809	12,391	4,490
Presbyterian Church—Synod of Eastern Australia—								
Sydney ...	8	1,702 0 0	418 16 5	2,120 16 5	1	600	250
Country Districts ...					14	2,020	1,031	1,255
					15	2,620	1,281	1,255
Presbyterian Church, other than above stated—								
Country Districts ...	2			
	81	1,702 0 0	418 16 5	2,120 16 5	138	24,429	13,672	5,745
Wesleyan Methodist Church—								
City and Suburbs of Sydney ...	88	1,715 12 5	230 17 2	1,946 9 7	31	10,112	6,850	115
Country Districts ...					238	28,845	18,263	8,325
	88	1,715 12 5	230 17 2	1,946 9 7	269	38,957	25,113	8,440
Congregational Church (Independents)—								
City and Suburbs of Sydney ...	32	25	8,686	5,319	68
Country Districts ...					18	3,690	1,590	483
	32	43	12,376	6,909	551
Baptist Church—								
City and Suburbs of Sydney ...	13	4	1,470	900
Country Districts ...					10	1,220	630	297
	13	14	2,690	1,530	297
Primitive Methodist Church—								
City and Suburbs of Sydney ...	14	13	4,000	2,790	200
Country Districts ...					46	5,096	4,400	700
	14	59	9,096	7,190	900
Particular Baptist Church—								
City and Suburbs of Sydney ...	5	1	500	300	80
Country Districts ...					3	550	290	30
	5	4	1,050	590	110
United Methodist Free Church—								
City and Suburbs of Sydney ...	4	2	180	150
Country Districts ...					1	150	100	60
	4	3	330	250	60
United Free Gospel Church—Country	1	1	100	45

^a No return from Merriwa.

^b Includes one Union Church.

^c The average attendance at five Churches, with 250 sittings, not given.

STATISTICS—1877.

ECCLESIASTICAL—continued.

No. 23 (continued)—RETURN showing the Expense of the ECCLESIASTICAL ESTABLISHMENT in the Year 1877, and other particulars—continued.

DENOMINATION.	Number of Ministers registered under the Act 19 Vic. Nos. 30 and 34.	Expense.			Churches and Chapels.			All other Places used for Public Worship. Average Attendance.
		Salaries and Allowances.	From the Church and School Estates.	Total.	Number.	Total Number of individual Sittings.	Average Attendance.	
Protestant Episcopal Church (U.S.)—Country	1	£ s. d.	£ s. d.	£ s. d.
German Lutheran Church—Country	2	2	85	55
Evangelical Lutheran—Country	1	4	350	50	18
German Evangelical—Sydney	1	3	600	300
Christians—Sydney	1	1	50	25	43
Independent (Unconnected)—Country	1	1	150	85	84
Welsh Church	1	1	60	35
Jews' Synagogue—City of Sydney	2	1	650	600
Independent Methodist Church—Sydney	1
Unsectarian—City*	1	300	60
GENERAL TOTAL	613	18,245 4 9	4,110 7 5	22,355 12 2	1,186	188,993	158,815	38,406
								197,221

* Lay preachers.

SUNDAY SCHOOLS.

No. 24.—RETURN showing the Number of SUNDAY SCHOOLS of the several Denominations, in the Year 1877, as well as the Number of TEACHERS, the Number of CHILDREN on the Registers, and the Average Attendance of SCHOLARS.

DENOMINATION.	Number of Schools.	Number of Teachers.			Number of Children on the Registers.			Average Attendance of Children at Sunday School.			
		Male.	Female.	Total.	Male.	Female.	Total.	Male.	Female.	Total.	
Church of England.	Diocese of Sydney. { City and Suburbs of Sydney ... Country Districts ...	46	301	506	^a 807	5,409	6,185	11,594	3,858	4,404	8,262
		89	198	309	507	2,257	2,459	4,716	1,600	1,833	3,433
	Diocese of Newcastle ...	135	499	815	1,314	7,666	8,644	16,310	5,458	6,237	11,695
	Diocese of Goulburn ...	^b 77	151	269	420	2,061	2,220	4,281	1,627	1,825	3,452
	Diocese of Bathurst ...	57	114	207	321	1,659	1,909	3,568	1,192	1,469	2,661
Roman Catholic Church.	Diocese of Grafton & Armidale	60	134	225	359	1,774	2,067	3,841	1,258	1,661	2,919
	Diocese of Sydney. { City and Suburbs of Sydney ... Country Districts ...	^c 32	64	84	148	700	716	1,416	567	512	1,079
		361	962	1,600	2,562	13,860	15,556	29,416	10,102	11,704	21,806
	Diocese of Maitland ...	22	208	273	481	3,057	3,267	6,324	2,435	2,721	5,156
	Diocese of Goulburn ...	81	89	147	236	1,369	1,633	3,002	1,046	1,312	2,358
Presbyterian Church.	Diocese of Bathurst ...	103	297	420	717	4,426	4,900	9,326	3,481	4,033	7,514
	Diocese of Armidale ...	58	56	102	158	1,108	1,347	2,455	845	1,025	1,870
	Presbyterian Church of New South Wales. { City and Suburbs of Sydney ... Country Districts ...	47	63	84	147	1,057	1,183	2,240	896	1,017	1,913
		48	31	106	137	1,046	1,444	2,490	924	1,280	2,204
	Presbyterian Church, Synod of Eastern Australia. { Sydney ... Country Districts ... other than above stated ...	31	29	48	77	372	485	857	335	358	693
		287	476	760	1,236	8,009	9,359	17,368	6,481	7,713	14,194
		20	144	168	312	1,335	1,497	2,832	1,020	1,177	2,197
Presbyterian Church, Synod of Eastern Australia. { Sydney ... Country Districts ... other than above stated ...	91	206	274	480	1,974	2,284	4,258	1,557	1,805	3,362	
	111	350	442	792	3,309	3,781	7,090	2,577	2,982	5,559	
	1	5	6	11	30	70	100	25	60	85	
	11	20	21	41	191	223	414	150	184	334	
Presbyterian Church, Synod of Eastern Australia. { Sydney ... Country Districts ... other than above stated ...	12	25	27	52	221	293	514	175	244	419	
	1	1	3	4	15	20	35	12	18	30	
	124	376	472	848	3,545	4,094	7,639	2,764	3,244	6,008	

^a The Number of Teachers not given in one school.

^b No return from Merriwa District.

^c No return from Somerton.

STATISTICS—1877.

SUNDAY SCHOOLS—continued.

No. 24 (continued)—RETURN showing the Number of SUNDAY SCHOOLS, &c.—continued.

DENOMINATION.	Number of Schools.	Number of Teachers.			Number of Children on the Registers.			Average Attendance of Children at Sunday School.			
		Male.	Female.	Total.	Male.	Female.	Total.	Male.	Female.	Total.	
Wesleyan Methodist Church	{ City and Suburbs of Sydney	29	218	222	440	2,126	2,327	4,453	1,535	1,619	3,154
	{ Country Districts ...	197	641	684	1,325	5,100	5,546	10,646	3,866	4,299	8,165
		226	859	906	1,765	7,226	7,873	15,099	5,401	5,918	11,319
Congregational Church (Independents)	{ City and Suburbs of Sydney	29	191	231	422	2,193	2,331	4,524	1,478	1,369	2,847
	{ Country Districts ...	21	69	66	135	549	612	1,161	400	458	858
		50	260	297	557	2,742	2,943	5,685	1,878	1,827	3,705
Baptist Church	{ City and Suburbs of Sydney	5	30	28	58	273	298	571	208	224	432
	{ Country Districts ...	8	37	12	49	143	159	302	114	129	243
		13	67	40	107	416	457	873	322	353	675
Primitive Methodist Church.	{ City and Suburbs of Sydney	13	85	82	167	900	1,100	2,000	680	800	1,480
	{ Country Districts ...	33	130	120	250	1,121	1,210	2,331	930	1,115	2,045
		46	215	202	417	2,021	2,310	4,331	1,610	1,915	3,525
Particular Baptist Church.	{ Sydney ...	1	8	5	13	40	50	90	30	40	70
	{ Country Districts ...	3	14	10	24	118	133	251	87	98	185
		4	22	15	37	158	183	341	117	138	255
United Methodist Free Church	{ Suburbs of Sydney	2	10	9	19	84	77	161	77	69	146
	{ Country Districts ...	1	7	5	12	42	44	86	35	30	65
		3	17	14	31	126	121	247	112	99	211
United Free Gospel Church—Country		1	1	...	1	5	1	6	3	1	4
Protestant Episcopal Church (U.S.)—Country	
German Lutheran Church—Country	
Evangelical Lutheran—Country	
German Evangelical—Sydney		2	2	2	4	20	30	50	15	25	40
Christians—Country		1	2	...	2	9	15	24	7	13	20
Independent (Unconnected)—Country	
Welsh Church		1	3	...	3	14	11	25	12	10	22
Jews' Synagogue—City of Sydney		1	6	15	21	89	68	157	54	49	103
Independent Methodist Church	
Unsectarian		1	14	10	24	115	140	255	65	85	150
GENERAL TOTAL.		1,121	3,282	4,333	7,615	38,355	43,161	81,516	28,943	33,094	62,037

No. 25.—DECENNIAL RETURN of the Number of SUNDAY SCHOOLS, TEACHERS, and SCHOLARS.

Year.	Number of Schools.	Number of Teachers.	Average Attendance.		
			Male.	Female.	Total.
1868	740	4,984	21,248	22,546	43,794
1869	805	5,425	23,185	24,896	48,081
1870	860	5,674	24,993	27,334	52,327
1871	933	6,049	24,279	27,168	51,447
1872	962	6,234	22,923	26,104	49,027
1873	1,023	6,497	24,207	27,267	51,474
1874	1,037	6,679	24,624	27,460	52,084
1875	1,012	6,731	25,568	28,900	54,468
1876	1,058	7,099	27,443	31,394	58,837
1877	1,121	7,615	28,943	33,094	62,037

STATISTICS—1877.

27

EDUCATION.

PRIVATE SCHOOLS.

No. 26.—RETURN showing the number of PRIVATE SCHOOLS, TEACHERS, and SCHOLARS, in each POLICE DISTRICT of the Colony, in the Year 1877.

POLICE DISTRICTS.	Number of Schools.				Number of Teachers.			Number of Scholars.		
	Boys.	Girls.	Mixed.	Total.	Male.	Female.	Total.	Male.	Female.	Total.
Albury		1	8	9	4	8	12	96	117	213
Armidale	1	2	5	8	5	6	11	65	54	119
Balranald			1	1		2	2	10	26	36
Bathurst	3	4	13	20	17	43	60	289	430	719
Bega		2	1	3	1	2	3	17	36	53
Berrima	2		3	5	6	3	9	100	27	127
Bombala			3	3	2	1	3	20	25	45
Boorowa			1	1	1		1	11	12	23
Bourke			3	3	1	4	5	70	80	150
Braidwood		1	3	4		5	5	17	30	47
Brisbane Water			3	3	3		3	9	10	19
Broulee										
Camden, Narellan, and Picton			5	5		5	5	61	60	121
Campbelltown										
Carcoar			6	6		12	12	114	139	253
Cassilis			2	2	2		2	11	12	23
Cooma										
Coonamble			1	1		1	1	8	12	20
Cowra										
Deniliquin		2	8	10	2	11	13	55	113	168
Dowling			2	2	1	1	2	13	24	37
Dubbo	1	2	5	8	5	6	11	59	113	172
Dungog										
Eden										
Forbes		1	8	9	1	11	12	98	158	256
Glen Innes			2	2		2	2	11	14	25
Goulburn		1	7	12	13	11	24	172	167	339
Grafton	1	4	6	11	3	14	17	94	146	240
Grenfell										
Gundagai			5	5	3	3	6	105	75	180
Hartley			3	3		4	4	35	56	91
Inverell										
Kiama		2		2		2	2		26	26
Liverpool			1	1		1	1	8	5	13
Macleay River			1	1	1		1	15	7	22
Maitland	5	5	12	22	14	36	50	286	370	656
Manning River										
Metropolitan	31	39	190	260	124	440	564	4,703	6,034	10,737
Mitchell			1	1		2	2	6	9	15
Moama			1	1		1	1	8	12	20
Molong	1		2	3	1	3	4	29	17	46
Mudgee		1	6	7	2	12	14	59	168	227
Murrurundi	1	1	4	6	3	4	7	78	65	143
Muswellbrook		1		1		1	1		6	6
Narrabri		1		1		1	1		22	22
Newcastle	1	2	15	18	5	16	21	337	397	734
Orange	1	3	6	10	3	14	17	123	159	282
Oxley		1	12	13	6	10	16	70	137	207
Paramatta	3	7	8	18	16	26	42	359	354	713
Paterson			2	2		2	2	11	13	24
Patrick's Plains	2	1	4	7	8	8	16	102	124	226
Penrith			2	2		2	2	28	59	87
Port Macquarie			1	1		1	1	12	14	26
Port Stephens										
Queanbeyan										
Raymond Terrace			1	1		2	2	4	23	27
Richmond River	1		3	4	4		4	45	9	54
Rylstone										
Scone			2	2		2	2	14	21	35
Shoalhaven			1	1	1		1	40	36	76
Tamworth	3	3	4	10	1	6	7	32	75	107
Tenterfield			4	4	3	2	5	20	36	56
Tumut			2	2	2		2	19	17	36
Tweed River										
Vegetable Creek			3	3	2	2	4	77	68	145
Wagga Wagga			7	7	2	8	10	54	120	174
Walgett										
Warialda										
Wellington										
Wentworth			1	1		2	2	12	23	35
Windsor	1	2	2	5	1	8	9	25	98	123
Wollombi										
Wollongong	1	2	1	4	1	7	8	96	151	247
Yass	1	2	3	6	3	15	18	50	146	196
Young			2	2		3	3	30	50	80
GENERAL TOTAL	64	93	408	565	273	794	1,067	8,292	10,807	19,099

STATISTICS—1877.

EDUCATION—continued.

SUMMARY OF SCHOOLS, TEACHERS, AND SCHOLARS, &c.

No. 27.—RETURN showing the Number of SCHOOLS and TEACHERS, and the Number of SCHOLARS in the Colony, in the Year 1877; also, the AMOUNTS paid by GOVERNMENT, and received from VOLUNTARY CONTRIBUTIONS, &c.

	Number of Schools.				Number of Teachers.			Number of Scholars.			Amounts paid by Government from the Colonial Treasury in the Year 1877.	Amounts received from Voluntary Contributions, Fees, and other Sources, in the Year 1877.	Total.												
	M.	F.	Mixed	Total.	M.	F.	Total.	M.	F.	Total.															
Orphan Schools—																									
Protestant			1	1	1	2	3	184	88	250	} £ s. d. 7,459 14 3	} £ s. d.	} £ s. d. 7,459 14 3												
Roman Catholic .. .			1	1	1	2	3	182	139	321															
Total of Orphan Schools .. .			2	2	2	4	6	346	225	571			7,459 14 3												
Asylum for Destitute Children .. .			1	1	3	5	8	341	227	568	*9,280 2 6	2,482 14 11	11,762 17 5												
Industrial Schools—																									
Nautical School Ship "Vernon" .. .	1			1	3	5	3	98		98	3,721 14 3	3,721 14 3												
Industrial School for Girls .. .		1		1		1	1	6	79	85	2,365 5 11	2,365 5 11												
Reformatory for Girls .. .		1		1		2	2			2	355 14 11	355 14 11												
Reformatory for Boys, South Head .. .											73 6 8	73 6 8												
Total of Industrial Schools .. .	1	2		3	3	3	6	104	81	185	6,516 1 9	6,516 1 9												
Council of Education—																									
Public Schools .. .			561	561	598	384	982	38,431	33,363	71,794	} £ s. d. 251,643 5 5	} £ s. d. 62,491 4 4	} £ s. d. 318,253 7 5												
Provisional Schools .. .			263	266	99	129	228	4,382	4,825	8,707				} £ s. d. 47,754 4 2	} £ s. d. 7,861 19 9	} £ s. d. 70,652 13 3									
Half-time Schools .. .			112	112	48	2	50	1,113	1,100	2,213															
Total of Schools under Council of Education .. .			939	939	745	515	1,260	43,926	38,788	82,714			251,643 5 5												
Denominational Schools—																									
Church of England .. .			80	80	94	100	194	9,089	7,830	16,919	} £ s. d. 251,643 5 5	} £ s. d. 9,304 14 9	} £ s. d. 318,253 7 5												
Roman Catholic .. .			84	84	89	87	176	7,069	6,720	14,689				} £ s. d. 7,861 19 9	} £ s. d. 585 14 3	} £ s. d. 1,041 17 5									
Presbyterian .. .			6	6	8	5	13	613	439	1,052							} £ s. d. 61 11 6	} £ s. d. 1,041 17 5	} £ s. d. 61 11 6						
Wesleyan .. .			7	7	10	10	20	895	517	1,712										} £ s. d. 18,855 17 10	} £ s. d. 18,855 17 10	} £ s. d. 18,855 17 10			
Hebrew .. .			1	1	1	1	2	94	72	166													} £ s. d. 18,855 17 10	} £ s. d. 18,855 17 10	} £ s. d. 18,855 17 10
Total, Denominational Schools .. .			178	178	202	203	405	18,660	15,878	34,538															
Total of Schools under Council of Education .. .			1,117	1,117	947	718	1,665	62,586	54,666	117,252	251,643 5 5	66,610 2 0	318,253 7 5												
Total of Orphan and Industrial Schools and Schools under the Council of Education .. .	1	2	1,120	1,123	955	730	1,685	63,377	55,199	118,576	274,899 3 11	69,092 16 11	348,092 0 10												
University of Sydney .. .	1			1	8		8	61		61	5,000 0 0	6,595 13 4	11,595 13 4												
St. Paul's College .. .	1			1	2		2	6		6	500 0 0	591 0 0	1,091 0 0												
St. John's College .. .	1			1	4		4	11		11	500 0 0	833 13 8	1,333 13 8												
St. Andrew's College .. .	1			1	1		1	17		17	2,247 8 0	360 18 10	2,608 6 10												
Sydney Grammar School .. .	1			1	16		16	401		401	1,500 0 0	5,583 0 0	7,083 0 0												
Deaf and Dumb and Blind Institution .. .			1	1	1	2	3	91	30	61	450 0 0	*3,170 11 1	3,620 11 1												
Aboriginal Mission School, Maloga .. .			1	1		2	2	17	18	35	400 0 0	114 3 8	514 3 8												
Private Schools .. .	64	93	408	565	273	794	1,067	8,292	10,807	19,099												
General Total .. .	70	95	1,530	1,695	1,260	1,528	2,788	72,213	66,054	138,267	285,496 11 11	86,341 17 6	371,838 9 5												

* Includes £4,915 15s. 6d. for maintenance of children received from the Benevolent Asylum, Sydney. † Includes local contributions on account of Buildings, &c., £1,644 5s. 5d. ‡ Includes £1,644 5s. 5d. from the Clergy and School Estates Revenue Fund. § Includes £1,747 8s. on account of Building (Loans). || Includes £769 18s. 5d. on account of Building.

No. 28.—DECENNIAL RETURN of the Number of SCHOOLS, TEACHERS, and SCHOLARS.

Year.	Number of Schools.	Number of Teachers.			Number of Scholars.		
		Males.	Females.	Total.	Males.	Females.	Total.
1868	1,254	962	852	1,814	34,859	31,976	66,835
1869	1,304	982	894	1,876	37,388	34,135	71,523
1870	1,381	1,084	968	2,052	39,374	35,129	74,503
1871	1,450	1,090	999	2,089	40,853	37,036	77,889
1872	1,464	1,111	1,140	2,251	56,418	50,273	106,691
1873	1,508	1,148	1,186	2,334	57,917	52,370	110,287
1874	1,547	1,184	1,254	2,438	58,076	61,057	119,133
1875	1,586	1,234	1,308	2,542	64,915	59,841	124,756
1876	1,629	1,267	1,382	2,649	68,802	62,818	131,620
1877	1,695	1,260	1,528	2,788	72,213	66,054	138,267

STATISTICS—1877.

UNIVERSITY OF SYDNEY.

No. 29.—DECENNIAL RETURN of the Number of STUDENTS.

Year.	Number of Students matriculated.	Number of Students attending Lectures.	Public Examinations.			
			Number of Seniors who came up.	Number of Juniors who came up.	Number of Seniors who passed.	Number of Juniors who passed.
1868	10	36	12	9	8	4
1869	19	41	9	20	7	14
1870	17	41	11	33	9	27
1871	16	45	42	137	22	64
1872	14	39	61	130	22	97
1873	22	47	63	173	45	103
1874	20	46	63	214	40	131
1875	23	48	65	297	45	149
1876	34	58	53	356	40	212
1877	23	61	63	303	38	135

NOTE.—The Public Examinations are similar to the *Middle Class* Examinations of Oxford and Cambridge. They are held annually, in November, and are intended to test the qualifications of boys attending schools or being instructed privately. They are divided into Senior and Junior, and certificates of competency in the several subjects of examination are given to the successful candidates. These examinations are *distinct* from the examination for the Civil Service.

No. 30.—DECENNIAL RETURN of the Number of GRADUATES.

Year.	B.A.	M.A.	M.B.	M.D.	LL.B.	LL.D.	Total.
1868	11	4	...	3	2	...	20
1869	11	7	3	...	21
1870	12	9	4	2	27
1871	9	7	2	...	3	...	21
1872	11	7	...	3	1	...	22
1873	10	6	1	1	1	3	22
1874	14	6	2	2	...	1	25
1875	7	11	...	1	19
1876	11	17	1	...	29
1877	12	6	...	2	...	2	22
Total	108	80	9	12	11	8	228

No. 31.—DECENNIAL RETURN of RECEIPTS and EXPENDITURE OF THE UNIVERSITY OF SYDNEY.

Year.	Receipts.				Expenditure.
	Government Aid.	College Fees.	Other Sources.	Total.	
1868	£ 5,000	£ s. d. 247 4 9	£ s. d. 603 8 3	£ s. d. 5,850 13 0	£ s. d. 5,711 15 3
1869	5,000	274 10 9	1,024 1 9	6,298 12 6	6,599 1 4
1870	5,000	245 19 8	692 0 8	5,938 0 4	5,634 2 3
1871	5,000	289 3 6	1,259 3 3	6,548 6 9	6,705 9 5
1872	5,000	303 5 3	1,249 1 11	6,552 7 2	6,517 16 11
1873	5,000	372 4 6	1,301 3 10	6,673 8 4	6,410 0 1
1874	5,000	366 10 9	2,498 14 6	7,865 5 3	8,117 5 9
1875	5,000	366 8 9	1,634 3 10	7,000 12 7	7,232 16 0
1876	5,000	403 4 6	4,904 13 10	10,307 18 4	10,681 11 8
1877	5,000	333 18 0	6,261 15 4	11,595 13 4	9,616 17 3

NOTE.—In some years the total receipts do not correspond with the figures given in the Statistical Registers.

NEW SOUTH WALES ACADEMY OF ART.

No. 32.—RETURN of the NEW SOUTH WALES ACADEMY OF ART, for the Year ending 31st May, 1878.

Hours between which it is open.	Date when first opened.	Amount of aid from the Government.		Amount of Private Contributions.		Number of			Number of Students.	
		Prior to 31st May, 1877.	During the twelve months ending 31st May, 1878.	Prior to 31st May, 1877.	During the twelve months ending 31st May, 1878.	Oil Paintings.	Water-colour and other Drawings, Engravings, Photographs, &c.	Statuary and other Works of Art.	Males.	Females.
Daily from 9 a.m. to 4 p.m. to members and students. Tuesdays and Thursdays, from 10 a.m. to 1 p.m. for "Drawing Classes." The Art Gallery of New South Wales is open to the public, free, from noon till dusk, on Wednesdays and Saturdays, unless special notice to the contrary is advertised.	Founded, 24th April, 1871. Present premises opened, 1st May, 1875. Art Gallery of New South Wales opened to the public, 2nd June, 1876.	£525 towards rent of premises and wages to door-keeper. £1,475 for purchase of works of art, vested in Trustees. £1,500, Museum Votes for same purpose, vested in same Trustees. In all £3,500.	£275 towards rent of premises and wages to door-keeper. £725 for purchase of works of art, vested in Trustees. £500, Museum Vote for 1877, for same purpose, vested in same Trustees. In all £1,500.	£1,132 19s., subscriptions from members. £52 10s., for purchase of oil painting by subscription. £446 11s., subscriptions to "Art Union," distributed in works of art. In all £1,632.	£24 3s., subscriptions from members. In all £24 3s.	Fourteen. 9 purchased by Trustees, £1,708 8s. 9d. 1 purchased by subscription, £52 10. 4 presented.	Sixteen. *15 purchased by Trustees, £327 7s. 11d. 1 presented. Collection of autotypes purchased by the Trustees, £100. 1 crayon presented by artist. 2 portfolios, engravings and photographs. *One of these drawings, valued at £105, was painted for the Gallery by Mr. Gully of New Zealand, on receipt of a commission from the Trustees of £52 10s.	About 170 casts purchased by the Council, £87 8s. 6d. 2 cases small casts presented. 1 cast presented by Trustees of Melbourne Library.	13	25

NOTE.—Prior to 31st May, 1877, £642 9s. were received for sale of works of art by colonial artists on commission.

FREE PUBLIC LIBRARY.

No. 33.—RETURN of the FREE PUBLIC LIBRARY, for the Year ending 31st December, 1877.

Hours between which it is open.	Cost of Purchase.*	Amount of Aid from Government. ^b		Private Contributions.						Number of Volumes, Pamphlets, and Parts in Library.	Number of Visits during 1877.
		Prior to 1877.	During 1877.	Prior to 1877.			During 1877.				
				Number of Vols.	Number of Objects.	Estimated Value.	Number of Vols.	Number of Objects.	Estimated Value.		
		Donations.	Donations.		Donations.	Donations.					
Reference Library:— 10 o'clock a.m. to 10 o'clock p.m.	£ s. d. 5,400 0 0	£ s. d. 19,685 5 8	£ s. d. 3,343 0 0	1,709	73	£ s. d. 1,171 17 0	100	£ s. d. 46 15 6	26,772	113,760
Lending Branch:— 1 o'clock to 7 o'clock p.m.	d.....	676 13 4	Nil.	Nil.	18	1 5 0	5,981	10,928
	5,400 0 0	19,685 5 8	4,019 13 4	1,709	73	1,171 17 0	118	48 0 6	32,753

*The Institution was purchased already erected, with 16,057 volumes of books included, from which 2,120 valueless books were taken out and given away. ^bSupported entirely by the Government.
^c3,848 volumes of Specifications of Patents transferred to Lending Branch. ^dThe Lending Branch was first opened on 3rd July, 1877. ^eNumber of Borrowers for 6 months from 3rd July.

SCHOOLS OF ART, PUBLIC LIBRARIES, &c.

No. 34.—RETURN of the Number of SCHOOLS OF ART, PUBLIC LIBRARIES, &c., in the Colony of New South Wales, showing the Date when first Opened, whether Freehold or Leasehold, Cost of Erection, the Amount received from Government and from Private Contributions, the Number of Volumes of Books, and the Number of Visits paid during the Year ending 31st December, 1877.

Name of Institution.	Date when first opened.	Whether Freehold or Leasehold.	If Freehold, cost of Erection.	Receipts during the Year 1877.			Books (Private Contributions).	Total number of Volumes in the Institution.	Hours during which it is open.	Total number of Visits paid during the Year.
				From Government.	Private Contributions.	Total.				
			£	£ s. d.	£ s. d.	£ s. d.	No. of Vols.			
Albury Mechanics' Institute*	6 July, 1858.	Freehold
Armidale Literary Institute	— April, 1867.	Freehold	800	18 9 3	36 6 0	54 15 3	3	1,900	2 30 to 9 30 p.m.	9,390
Ballina School of Arts	11 April, 1874.	Leasehold	15 0 0	15 0 0	300	4 to 6 p.m., Wed. and Sat.
Balmain School of Arts.	1 Oct., 1858.	Freehold	3,000	73 19 6	73 19 6	500	7 to 10 p.m. daily
Balmain Working Men's Institute*
Bathurst Mechanics' School of Arts	— 1859.	Freehold	9,000	100 0 0	200 3 0	300 3 0	5,254	Winter, 10 a.m. to 5 30 p.m., and from 7 to 10 p.m. Summer, 10 a.m. to 6 p.m., and from 7 30 to 10 p.m.
Bega School of Arts	31 Aug., 1869.	Freehold	abt. 800	55 4 9	100 5 9	155 10 0	980	9 a.m. to 10 p.m.
Bellambi and Bulli School of Arts	1 Jan., 1862.	Freehold	321	5 17 3	5 17 3	280	9 a.m. to 9 p.m.
Bombala School of Arts and Mechanics' Institute	28 Nov., 1872.	Freehold	2,118	105 13 6	211 7 0	317 0 6	28	946	9 a.m. to 10 p.m.	40 weekly.
Botany Mechanics' Institute	7 Aug., 1867.	Freehold	500	73 18 3	147 16 6	221 14 9	413	7 30 to 9 30 p.m. 4 evenings weekly	1,350
Bourke Mechanics' Institute and School of Arts	3 July, 1871.	Temporary building	52 18 6	105 17 0	158 15 6	23	516	8 to 10 p.m. 3 evenings weekly	1,506
Braidwood Literary Institute.	— 1858.	Freehold	2,051	75 0 0	157 2 0	232 2 0	2,500	11 a.m. till 1; 3 till 5; and 7 30 till 9 30 p.m.
Branxton Mechanics' Institute	— Jan., 1866.	Freehold	210	423	7 to 10 p.m. Wed. and Sat.	550
Camden School of Arts	26 Oct., 1866.	Freehold	1,250	18 19 1	28 4 0	47 3 0	28	693	10 a.m. to 10 p.m.	3,500
Carcoar School of Arts*	— Mar., 1873.	Private room
Casino School of Arts*	18 Sept., 1875.	Leasehold	7 30 to 9 30 p.m. Tue., Fri., and Sat.
Cooma Mechanics' School of Arts	— 1866.	Public Schoolroom	200 0 0	403 0 0	603 0 0	500	7 to 9 p.m.	754
Coonabarabran Mechanics' Institute	1 Oct., 1875.	Freehold	277	91 11 9	109 13 4	201 5 1	251	Daily
Corowa Mechanics' Institute	21 April, 1873.	Freehold	850	31 10 3	63 0 6	94 10 9	349	10 a.m. to 10 p.m.	1,250
Deniliquin Mechanics' Institute and School of Arts*	5 July, 1875.	Freehold	200
Denman School of Arts	5 Mar., 1872.	Freehold	457	26 5 0	52 10 0	78 15 0	100	600	8 to 10 p.m. weekly
Dubbo Mechanics' Institute	— 1868.	Freehold	1,200	71 0 0	107 1 0	178 1 0	1	1,386	Reading-room, 9 a.m. to 10 p.m.; Library, 7 to 9 p.m. on Fridays
Dungog School of Arts	1 July, 1872.	Freehold	260	50 0 0	120 7 2	170 7 2	431	9 a.m. to 9 30 p.m.
East Maitland Mechanics' Institute	— 1859.	Freehold	2,000	30 4 6	73 8 6	103 13 0	1,780	8 a.m. to 10 p.m.
Forbes School of Arts	4 Feb., 1867.	Freehold	19 15 3	39 10 6	59 5 9	500	7 to 10 p.m.	1,560
Frederickton School of Arts	11 Oct., 1871.	Freehold	275	10 9 9	25 18 0	36 17 9	3	380	9 a.m. to 10 p.m.
Goulburn Mechanics' Institute	— 1860.	Freehold	3,500	75 0 0	163 17 0	238 17 0	2,650	Reading-room, 9 a.m. to 10 p.m.; Library from 10 a.m. to 2 p.m., and from 7 30 to 9 30 p.m.

* No return.

No. 34 (continued)—RETURN of SCHOOLS OF ART, PUBLIC LIBRARIES, &c.—continued.

Name of Institution.	Date when first opened.	Whether Freehold or Leasehold.	If Freehold, cost of Erection.	Receipts during the Year 1877.				Total number of Volumes in the Institution.	Hours during which it is open.	Total number of Visits paid during the Year.
				From Government.	Private Contributions.	Total.	Books (Private Contributions).			
Crafton School of Arts	3 July, 1858.	Freehold ..	£ 2,500	£ s. d. 53 18 9	£ s. d. 102 12 6	£ s. d. 156 10 6	No. of Vols.	1,187	8 a.m. to 10 p.m.
Grenfell School of Arts* 1868.	Freehold ..	120
Greta Mechanics' and Miners' Institute	21 Aug., 1876.	Freehold ..	330	108 0 3	216 0 6	324 0 9	2	110	9 a.m. to 10 p.m.	1,725
Gulgong School of Arts*	— Aug., 1872.	Leasehold
Gundagai Literary Institute	17 June, 1873.	Room in Court-house	15 5 0	15 5 0	81	600	2 afternoons weekly
Guntawang School of Arts	16 Feb., 1872.	Held in a Public School	7 14 6	15 9 0	23 3 6	1	444	4 to 9 p.m.
Hamilton Mechanics' Institute	11 June, 1872.	Freehold ..	150	24 6 7½	89 2 3	113 8 10½	600	10 a.m. to 9 p.m.
Hinton School of Arts	— Sept., 1869.	Freehold ..	929	38 17 6	38 17 6	432	9 a.m. to 10 p.m.
Inverell Public Library and Reading Room	2 Aug., 1875.	Freehold ..	Unknown..	56 5 3	56 5 3	750	10 a.m. to 9 p.m. daily..	Average daily at- tendance 12 to 20.
Kiama Free Public Library	22 Sept., 1872.	Leasehold	1,272	12 to 2 p.m. daily
Lambton Mechanics' and Miners' Institute	24 Dec., 1867.	Freehold ..	313	38 0 0	52 18 10	90 18 10	170	1,339	8 a.m. to 10 p.m.
Largs School of Arts	6 May, 1875.	Leasehold	95 0 0	190 0 0	285 0 0	45	155	{ 8 to 10 p.m. (summer) 7 to 10 p.m. (winter)
Merriwa School of Arts	14 June 1869.	Freehold ..	550	63 17 3	81 7 0	145 4 3	310	8 a.m. to 8 p.m.	6,731
Milton School of Arts	16 Aug., 1872.	Freehold ..	732	12 17 6	19 12 0	26 9 6	496	8 to 10 p.m. Mon., Thu., and Sat., and 3 to 5 p.m. Wed.
Morpeth School of Arts	24 Sept., 1863.	Freehold ..	2,050	21 17 0	43 14 0	65 11 0	750	9 a.m. to 10 p.m.
Mudgee School of Arts	12 May, 1857.	Freehold ..	3,580	75 0 0	159 12 0	234 12 0	4,000	10 a.m. to 10 p.m.
Murrurundi Mechanics' Institute and School of Arts	4 Sept., 1873.	Freehold ..	950	16 14 0	33 8 0	50 2 0	900	7 to 10 p.m.; 3 to 5 p.m. on Satur- days.
Muswellbrook School of Arts 1867.	Freehold ..	1,500	22 9 3	44 18 6	67 7 9	2	1,089	8 a.m. to 10 p.m.
Narrabri Mechanics' Institute	1 Jan., 1871.	Leasehold	100 0 0	100 0 0	403	8 to 10 p.m.
Newcastle School of Arts	29 July, 1875.	Freehold ..	2,500	69 5 3	293 18 0	363 3 3	1,455	10 a.m. to 1 p.m., 2 to 6 p.m., and 7 to 10 p.m.
North Willoughby Mechanics' School of Arts	1 Jan., 1875.	Freehold ..	529	16 0 0	16 0 0	864	Books issued on Committee Meeting nights.
Orange School of Arts 1858.	Freehold ..	3,000	71 3 9	10 2 6	81 6 3	1,800	3 to 5 p.m. and 7 to 10 p.m.	15,100
Parramatta School of Arts	— May, 1850.	Freehold ..	1,000	55 3 0	55 3 0	987	7 to 8 p.m. Tue. and Fri.	204
Paterson School of Arts	23 Sept., 1868.	Leasehold	11 15 10	11 15 10	32	620	7 to 10 p.m.
Petersham Working Men's Institute	1 Jan., 1871.	Leasehold	22 8 3	50 12 6	73 0 9	400	8 a.m. to 10 p.m.
Queanbeyan Literary Institute 1868.	Leasehold	18 15 0	37 10 0	56 5 0	350	9 a.m. to 10 p.m.
Raymond Terrace Mechanics' School of Arts	24 Oct., 1871.	Leasehold	16 1 6	16 1 6	10	589	8 to 10 p.m. on Tuesdays
Redfern Free Library	† 1 Nov., 1877.	Apartment in Council Chambers.	200 0 0	106 12 6	306 12 6	110	1,425	7:30 to 9 p.m. Mon., Wed., and Sat.; 10 to 12 a.m. Tue., Thu., and Fri. 7 to 8 p.m.	850
Richmond School of Arts	27 Aug., 1866.	Freehold ..	818	13 0 0	9 0 0	22 0 0	750
St. Leonards School of Arts	17 Oct., 1859.	Freehold ..	abt. 2,000	20 17 6	34 7 0	55 4 6	1,600	Reading Room, daily; Library, 2 evenings a week, 7 to 9 p.m.
Scone School of Arts 1868.	Freehold ..	800	39 4 0	43 17 4	83 1 4	800	7 to 10 p.m.
Singleton Mechanics' Institute 1866.	Freehold ..	2,000	3,000
Stroud School of Arts	1 April, 1859.	Freehold ..	400	9 9 0	18 18 0	28 7 0	45	1,365	10 to 10:30 a.m., 12:30 to 1 p.m., 4 to 6 p.m., and 7 to 9 p.m.	952

* No return.

† Formally opened 1 Nov., 1876, with a small collection of books, but not opened to the Public till above date.

No. 34 (continued)—RETURN of SCHOOLS OF ART, PUBLIC LIBRARIES, &c.—continued.

10—E

Name of Institution.	Date when first opened.	Whether Freehold or Leasehold.	If Freehold, cost of Erection.	Receipts during the Year 1877.				Total number of Volumes in the Institution.	Hours during which it is open.	Total number of Visits paid during the Year.
				From Government.	Private Contributions.	Total.	Books. (Private Contributions.)			
Sydney Mechanics' School of Arts..	22 Mar., 1833	Freehold ..	£	£ s. d.	£ s. d.	£ s. d.	No. of Vols.	18,650	9 a.m. to 10 p.m.	
Tamworth Mechanics' Institute ..	— 1866	Freehold ..	820		74 6 6	74 6 6		593	10 a.m. to 10 p.m.	
Tenterfield School of Arts ..	15 April, 1871	Freehold ..	750	100 18 3	140 16 0	241 14 3	11	440	{ Week days, from 10 a.m. to 10 p.m.; Sundays, from 2 to 9 p.m. }	
Uralla Literary Institute* ..	8 Sept., 1874	Leasehold ..								
Wagga Wagga Mechanics' Institute ..	— 1863	Freehold ..	1,800 (about.)	41 15 0	91 10 0	133 5 0	18	992	9 a.m. to 10 p.m.	
Walcha School of Arts ..	21 Sept., 1875	Freehold ..	295	25 8 6	50 17 0	76 5 6	144	603	8 to 10 p.m. Mon., Thur., and Sat.	
Wallsend School of Arts ..	— Sept., 1870	Freehold ..	454	22 5 6	29 2 0	51 7 6		404	9 a.m. to 10 p.m.	
West Maitland School of Arts ..	— 1855	Freehold ..	2,600	75 0 0	160 16 6	235 16 6	14	4,546	9 a.m. to 1 p.m., 4 to 6 p.m., and 7 to 10 p.m.	About 13,500.
Windsor School of Arts ..	— 1861	Freehold ..	750	22 6 6	55 13 0	77 19 6		700	7 to 10 p.m.; 11 a.m. to 10 p.m. on Saturdays.	
Wingham School of Arts ..	23 Nov., 1875	Freehold ..	200	50 0 0	40 0 0	96 0 0			7 to 10 p.m. four evenings weekly.	1,200
Wollongong School of Arts ..	9 Jan., 1860	Freehold ..	1,328	3 5 0	6 10 0	9 15 0		1,302	2 to 10 p.m.	856
Woodville School of Arts ..				79 3 6	Not stated.			363	7.30 to 10 p.m. Tues. and Fri.	
Wyrallah School of Arts ..	22 May, 1873	Leasehold ..		6 5 6	15 0 0	21 5 6	14	384	7 to 10 p.m.	
Yass Mechanics' Institute ..	— 1857 (Reorganized in 1859.)	Freehold ..	2,600		57 10 0	57 10 0		2,440	{ Library, 2 to 4 and 7 to 9 p.m.; Tues., Thur., and Sat. Reading Room, 9 to 10 p.m. daily. }	
Young* ..										

* No return.

STATISTICS—1877.

AUSTRALIAN MUSEUM.

No. 35.—RETURN of the AUSTRALIAN MUSEUM for the Year ending 31 December, 1877.

Hours between which it is open.	Number of Visitors during the Year.	Cost of Erection.	Receipts from Government.	Expenditure.		
				Maintenance.		Total.
				Purchases, &c.	Salaries and Wages.	
Summer—12 to 5 o'clock.	75,275	Cost of Old Building, £8,260 4s. 11d.; New Wing, £25,511 7s. 4d.; total, £33,771 12s. 3d.; and Dwarf Wall, £977 10s.	£ s. d.	£ s. d.	£ s. d.	£ s. d.
Winter—12 to 4 o'clock.			3,500 0 0	1,632 8 3	1,319 4 0	2,951 12 3

33

GAOLS AND

No. 36.—RETURN of the several GAOLS, and the Number of PRISONERS

Prison, where situated.	Respective Ages of Prisoners.	Number of Prisoners the Prison is capable of containing in separate cells.	Number of Prisoners the Prison is capable of containing where more than one Prisoner sleeps in one cell.	Number of Prisoners received					
				Debtors.		For Trial, &c.		In Transitu.	
				M.	F.	M.	F.	M.	F.
Gaol, Darlinghurst, in the City of Sydney...	10 to 20 years...	346	750	74	19	3	1
	20 to 30 „ „ „			156 ₄	57 ₁	17	1
	30 to 40 „ „ „			139 ₂	55	8	...
	40 to 50 „ „ „			60 ₂	28	10	...
	50 years and upwards			41	17	4	...
	Unknown „ „ „			20
Total	346	750	20	...	470 ₈	176 ₁	42	2
Parramatta ...	10 to 20 years...	78	180	1	2	...	5
	20 to 30 „ „ „			2
	30 to 40 „ „ „			8	...	2	2
	40 to 50 „ „ „			3	1
	50 years and upwards			12	...	2	13
Total	78	180	26	2	4	21
Berrima ...	10 to 20 years...	75	120
	20 to 30 „ „ „			6
	30 to 40 „ „ „			2
	40 to 50 „ „ „		
	50 years and upwards		
Total	75	120	8
Bathurst ...	Under 10 years	38	123	4	...	1	...
	10 to 20 „ „ „			8 ₁	2	3	...
	20 to 30 „ „ „			30	3	2	...
	30 to 40 „ „ „			22 ₄	3	2	...
	40 to 50 „ „ „			16 ₁	5	3	...
	50 years and upwards			42 ₂	3	3	...
Total	38	123	122 ₈	16	14	...
Maitland	10 to 20 years...	110	182	10	3 ₁	3	...
	20 to 30 „ „ „			35 ₂	3	4 ₂	1
	30 to 40 „ „ „			25 ₁	2	2	...
	40 to 50 „ „ „			12 ₁	2
	50 years and upwards			15	3	1	...
Total	110	182	2	...	97 ₄	13 ₁	10 ₂	1

NOTE.—The small figures denote black or coloured Prisoners.

PRISONERS.

received therein during the Year 1877 ; also the Education of same.

during the Year 1877.								Greatest Number received at any one time.		Education.					
Under Sentence to						Total Number.				Number who can read and write.		Number who can read only.		Number who cannot read.	
Labour.		Imprisonment.		Solitary Confinement.											
M.	F.	M.	F.	M.	F.	M.	F.	M.	F.	M.	F.	M.	F.	M.	F.
59 ₂	17	290 ₄	82	426 ₆	119	5	3	317	83	46	18	63 ₆	18
201 ₆	76 ₁	990 ₁₃	804 ₂	1,364 ₂₃	938 ₄	11	7	1,130 ₆	589	112	186 ₂	122 ₁₇	163 ₂
116 ₃	70 ₁	972 ₁₂	1,117 ₁	1,235 ₁₇	1,242 ₂	8	18	992 ₇	608 ₂	97	347	146 ₁₀	287
80 ₂	46	656 ₉	533 ₁	806 ₁₃	607 ₁	6	7	618 ₄	250	94	181	94 ₉	176 ₁
53	36	555 ₅	482	653 ₅	535	5	2	428 ₁	139	66	135	159 ₄	261
...	20	20
509 ₁₃	245 ₂	3,463 ₄₃	3,018 ₄	4,504 ₆₄	3,441 ₇	35	37	3,505 ₁₈	1,669 ₂	415	867 ₂	584 ₄₆	905 ₃
1	...	2	4	7	2	5	2	1	...	1
38	...	16	56	...	5	...	38	...	3	...	15	...
29 ₁	...	29	68 ₁	2	3	...	47 ₁	2	2	...	19	...
14 ₁	...	24	41 ₁	1	3	2	25	1	3	...	13 ₁	...
15	...	112 ₁	141 ₁	13	1	1	88	3	15	4	38 ₁	6
97 ₂	...	183 ₁	310 ₃	23	12	3	200 ₁	11	25	5	85 ₂	7
3	3	...	1	...	3
62 ₁	68 ₁	...	7	...	56	...	7	...	5 ₁	...
36 ₁	1	38 ₁	1	2	...	32	1	4	...	2 ₁	...
21 ₁	1	21 ₁	1	2	...	19	1	2	...
20	1	20	1	1	...	12	...	2	...	6	1
142 ₃	3	150 ₃	3	13	...	122	2	13 ₁	...	15 ₂	1
...	5	...	1	2	...	3	...
1	...	6	1	18 ₁	3	3 ₁	1	14	1	4 ₁	2
21	1	21	6	74	10	7	1	58	8	2	1	14	1
14 ₃	2	23 ₆	24 ₁	61 ₁₄	29 ₁	5 ₂	1 ₁	50 ₁	20	6	3	5 ₁₃	6 ₁
6 ₂	...	25 ₂	13	50 ₅	18	2 ₁	1	40 ₁	17	5	...	5 ₄	1
9 ₃	1	49 ₁	24	103 ₆	28	1 ₁	2	69	10	17	7	17 ₆	11
51 ₈	4	124 ₉	68 ₁	311 ₂₆	88 ₁	19 ₅	6 ₁	231 ₂	55	32	12	48 ₂₄	21 ₁
20 ₂	1	17 ₇	3	3	...	53 ₉	7 ₁	1	...	35	4 ₁	2	...	16 ₉	3
79 ₅	10	69	29	188 ₉	43	1 ₂	...	152 ₁	24	5	9	31 ₈	10
41 ₁	5	57 ₂	15	126 ₄	22	4	...	103 ₁	14	7	4	16 ₃	4
19 ₁	3	48 ₁	11	79 ₃	16	1	...	65	9	5	3	9 ₃	4
26	8	52	15	94	26	2	...	66	9	10	6	18	11
185 ₉	27	243 ₁₀	73	3	...	540 ₂₅	114 ₁	9 ₂	...	421 ₂	60 ₁	29	22	90 ₂₃	32

No. 36.—RETURN OF GAOLS AND PRISONERS received therein, &c.—*continued.*

Prison, where situated.	Respective Ages of Prisoners.	Number of Prisoners the Prison is capable of containing in separate cells.	Number of Prisoners the Prison is capable of containing where more than one Prisoner sleeps in one cell.	Number of Prisoners received							
				Debtors.		For Trial, &c.		In Transitu.			
				M.	F.	M.	F.	M.	F.		
Goulburn	Under 10 years	63	127	2	1		
	10 to 20			5	1	4	...		
	20 to 30			10	1	23	...		
	30 to 40			4	1	10	1		
	40 to 50			4	...	3	1		
	50 years and upwards			5	...	5	...		
	Total	63	127	28	3	47	1		
Port Macquarie	10 to 20 years	10	122	1		
	20 to 30			2		
	30 to 40				
	40 to 50				
	50 years and upwards			1		
				Total	10	122	4
Albury	Under 10 years	12	36	3	3		
	10 to 20			1	...	5	1		
	20 to 30			1	...	13	1		
	30 to 40			1	...	9	2		
	40 to 50			4	...	5	...		
	50 years and upwards			7	...	3	...		
	Total	12	36	2	...	33	1	36	6		
Braidwood	Under 10 years	12	36		
	10 to 20				
	20 to 30			2	1		
	30 to 40			1	1		
	40 to 50				
	50 years and upwards			2		
	Total	12	36	3	2	2	...		
Mudgee	Under 10 years	24	72	3	2		
	10 to 20			3	2	...	2		
	20 to 30			1	...	15	1	2	1
	30 to 40			3	...	11	1	1	1
	40 to 50			1	...	6	...	2	...
	50 years and upwards			9	1	7	...
	Total	24	72	5	...	44	5	15	6		

NOTE.—The small figures denote black or coloured Prisoners.

STATISTICS—1877.

PRISONERS—continued.

during the Year 1877.								Greatest Number received at any one time.		Education.					
Under Sentence to—						Total Number.				Number who can read and write.		Number who can read only.		Number who cannot read.	
Labour.		Imprisonment.		Solitary Confinement.											
M.	F.	M.	F.	M.	F.	M.	F.	M.	F.	M.	F.	M.	F.	M.	F.
.....	...	6	2	8	3	8	3
12	1	8	5	6	...	35	7	23	5	12	2
31	2	13 ₁	3	77 ₂	6	3	...	60	3	5	1	12 ₂	2
19 ₁	8	17 ₁	7	50 ₄	16	3 ₁	...	39 ₂	6	6	6	5 ₂	4
7	5	22 ₂	7	36 ₃	12	...	1	30	7	1	2	5 ₃	3
11	1	56	12	77	13	1	...	41	3	9	2	27	8
80 ₁	17	122 ₄	36	6	...	283 ₉	57	7 ₁	1	193 ₂	24	21	11	69 ₇	22
1	...	2	4 ₁	1	2	...	1 ₁	...
.....	...	3	5	2	...	4	1	...
6	6	4	1	...	1	...
.....	...	1	1	1
3	...	1	5	2	2	...	1	...
10 ₁	...	7	21 ₁	2	...	12	5	...	4 ₁	...
.....	3	3	3	3
1	...	4	11	1	1	...	7	4	1
4	...	15 ₄	1	45 ₄	3	3	...	31	1	6	...	8 ₄	2
4	...	23 ₁	3	44 ₃	4	3	...	35 ₂	2	6	...	3 ₁	2
5 ₁	...	21	9	35 ₁	9	30	2	1	3 ₁	8
2	...	15	3	27	3	22	3	1	...	4	...
16 ₁	...	78 ₅	16	165 ₈	23	7	...	125 ₂	6	15	1	25 ₆	16
.....	...	3	3	1	3	...
1	1	1	...	1
1	...	1	3	2	1	1	1	2	2	...
1	2	1	3	3	1	1	2	1	1	1	...	1
1	...	1	1	2	1	1	1	2	1
1	1	5	2	8	3	1	1	5	1	2	1	1	1
5	3	10	4	20	9	6	4	11	2	3	4	6	3
.....	2	3	4	3	3	4
1	...	1	1 ₁	5	5 ₁	...	2	4	3	1	2 ₁
6 ₁	1	5	1	29 ₁	4	25	2	1	...	3 ₁	2
5	2	5 ₂	1 ₁	25 ₃	5 ₁	...	1	18 ₁	3	3	1	4 ₂	1 ₁
3 ₄	...	7 ₁	7	19 ₇	7	15 ₁	4	...	1	4 ₆	2
6 ₂	3	16 ₁	15	38 ₄	19	29	8	1	2	8 ₄	9
21 ₇	6	34 ₄	27 ₂	119 ₁₅	44 ₂	3	3	91 ₂	20	5	4	23 ₁₃	20 ₂

No. 36.—RETURN of GAOLS AND PRISONERS received therein, &c.—continued.

Prison, where situated.	Respective Ages of Prisoners.	Number of Prisoners the Prison is capable of containing in separate cells.	Number of Prisoners the Prison is capable of containing where more than one Prisoner sleeps in one cell.	Number of Prisoners received								
				Debtors.		For Trial, &c.		In Transitu.				
				M.	F.	M.	F.	M.	F.			
Wagga Wagga ...	Under 10 years ...	11	30	8	2			
	10 to 20 "	2	1			
	20 to 30 "	15	2	3	...			
	30 to 40 "	10	1			
40 to 50 "	4	2	2	1				
50 years and upwards	7	...	2	...				
Total	11	30	36	5	2	17	4		
Armidale...	10 to 20 years... ..	10	30	1	...	1	...			
	20 to 30 "	7	...	1	...			
	30 to 40 "	4	1			
	40 to 50 "	2			
	50 years and upwards			5			
Total	10	30	1	...	19	1	2	...			
Yass ...	Under 10 years ...	11	33	5	1			
	10 to 20 "	2			
	20 to 30 "	16	1	6	...			
	30 to 40 "	6	1	...	2			
	40 to 50 "	10	...	19	...			
	50 years and upwards			2	...	25	...			
Total	11	33	3	...	36	1	2	55	2	1	
Deniliquin	10 to 20 years ...	16	80	2			
	20 to 30 "	10	4	4	1			
	30 to 40 "	6	...	3	1			
	40 to 50 "	5	1	2	2			
	50 years and upwards			4	1	1	...			
Total	16	80	1	...	27	6	4	10	2		
TOTALS OF GAOLS ...		816	1,921	34	1	953	40	227	2	254	7	44

NOTE.—The small figures denote black or coloured prisoners.

STATISTICS—1877.

PRISONERS—continued.

during the Year 1877.								Education.							
Under Sentence to—						Total Number.	Greatest Number received at any one time.		Number who can read and write.		Number who can read only.		Number who cannot read.		
Labour.		Imprisonment.		Solitary Confinement.			M.	F.	M.	F.	M.	F.	M.	F.	
M.	F.	M.	F.	M.	F.	M.	F.	M.	F.	M.	F.	M.	F.		
.....	8	2	2	1	8	2
.....	2	4	1	2	1	2
2	13	2	33 ₂	2	2	30	3 ₁	1	1
1	17 ₁	4	28 ₂	6	22	2	2	2	4 ₂	2
2	16	6	24 ₂	7	1	19	2	2	2	3 ₂	3
3	21	2	33	2	2	22	5	1	6	1
8	69 ₁	14	130 ₆	20	7	1	95	4	12 ₁	7	23 ₅	9
.....	1	1	3	1	1	1	1	1	1	1
5	5	2	18	2	2	12	1	1	5	1
4	2	10	1	19 ₁	4	3 ₁	1	14 ₁	4	3	1	1
5	1	4	2 ₂	11	3 ₂	1	11	1	2	2
5	14	1	24	1	2	15	2	7	1
19	4	34	6 ₂	75 ₁	11 ₂	9 ₁	2 ₁	53 ₁	2	8	5	14	4 ₂
.....	5	1	5	1
.....	2	4	4
3	9 ₁	1	1	36 ₁	2	24	1	6	6 ₁	1
4	4	27 ₃	2	38 ₆	7	4	1	28 ₄	2	2	10 ₂	3
6	18 ₁	9	3	57 ₁	9	36 ₄	5	2	1	19 ₁	3
.....	19	6	46	6	28	2	8	10	4
13	4	75 ₅	18	4	186 ₈	25	4	1	116 ₄	10	16	3	54 ₄	12
5	3	7	3 ₂	1	7	1	2	2
8 ₄	2	14	4	37 ₈	8	3	29 ₂	7	2	6 ₆	1
8	5	26 ₆	6	43 ₆	12	2	38	6	3	2	2 ₆	4
15	4	31 ₂	8	53 ₃	14	42	14	1 ₁	10 ₂
7 ₁	30	11	42 ₂	12	2	25 ₂	1	1	8	16	3
43 ₅	14	101 ₈	29 ₂	182 ₁₉	49 ₂	8	141 ₄	29	7 ₁	12	34 ₁₄	8 ₂
1,199 ₅₀	327 ₂	4,543 ₉₀	3,309 ₁₁	13	6,996 ₁₈₈	3,907 ₁₅	141 ₉	58 ₂	5,316 ₃₂	1,894 ₃	606 ₈	953 ₂	1,074 ₁₄₇	1,060 ₁₀

No. 37.—RETURN of POLICE GAOLS, and the Number of

Prison, where situated.	Number of Prisoners the Prison is capable of containing in separate cells.	Number of Prisoners the Prison is capable of containing where more than one Prisoner sleeps in one cell.	Number of Prisoners received					
			Debtors.		For Trial.		In Transitu.	
			M.	F.	M.	F.	M.	F.
Bega	5	10	1	44 ₅	4
Bourke	12	36	28	24 ₁	1 ₁
Campbelltown	8	12	62	13	1
Cooma	2	8	52 ₂
Dubbo	10	30 ₁	40 ₃	1	25
Forbes	4	14	16	2	7	1
Glen Innes	4	20	13	5	2
Grafton	12	36	20 ₁	4	9 ₂	3
Grenfell	3	12	6	2
Gundagai	4	20	1	8	68 ₄	6
Hay	2	6	1	19	5	23 ₃	9
Murrumbidgee	4	8	33 ₁	5	68 ₂	3
Muswellbrook	4	10	5 ₁	22	2
Narrabri	3	8	29 ₅	31 ₁
Nimitybelle	1	3	5	1
Orange	5	18	66 ₂	6	72 ₃	8
Queanbeyan	6	24	12	1	26
Singleton	4	20	13	3	12
Tamworth	5	15	1	53 ₂	1	30	3
Tenterfield	3	8	10	1	4
Wellington	4	15	34 ₁	3	54 ₄	3
Wentworth	3	9	14 ₁	2	2
Windsor	12	36	4	2	5
Wollongong	12	36	1	3	1	4
Young	5	10	1	15	1
TOTALS OF POLICE GAOLS	137	424	6 ₁	604 ₂₄	53	495 ₂₀	43 ₁
TOTALS OF GAOLS	816	1,921	34 ₁	953 ₄₀	227 ₂	254 ₇	44
GENERAL TOTAL	953	2,345	40 ₂	1,557 ₆₄	280 ₂	749 ₂₇	87 ₁

NOTE.—The small figures denote black or coloured Prisoners.

STATISTICS—1877.

PRISONERS—continued.

PRISONERS received therein during the Year 1877; also the Education of same.

during the Year 1877.								Greatest Number received at any one time.		Education.					
Under Sentence to—						Total Number.				Number who can read and write.		Number who can read only.		Number who cannot read.	
Labour.		Imprisonment.		Solitary Confinement.											
M.	F.	M.	F.	M.	F.	M.	F.	M.	F.	M.	F.	M.	F.	M.	F.
3	...	30	1	82 ₅	1	4	...	69	1	13 ₅	...
18 ₁	...	25	1	95 ₂	2 ₁	8	...	77	2 ₁	2	...	16 ₂	...
1	...	6	2	70	15	2	...	50	5	8	6	12	4
5	...	6	63 ₂	7	...	39	...	3	...	21 ₂	...
28 ₂	2	97 ₂	18 ₃	190 ₈	21 ₃	13	...	137	10	19	7	34 ₈	4 ₃
.....	...	39 ₁	17	62 ₁	20	2	1	47	13	1	3	14 ₁	4
28	3	7 ₁	53 ₁	5	3	...	38	4	15 ₁	1
16 ₁	1	55	3	100 ₄	11	8 ₁	5	86 ₁	7	1	4	13 ₃	...
.....	...	8 ₁	14 ₁	2	1	2	10 ₁	2	4	...
7	1	26 ₂	8	1	...	111 ₆	15	7 ₁	...	66 ₂	4	16	5	29 ₄	6
.....	...	91 ₂	14	134 ₅	28	4	...	121	26	6	...	7 ₅	2
1	...	1	103 ₃	8	9	...	72	7	16	...	15 ₃	1
.....	...	7	7	34 ₁	9	2	1	21	4	6	...	7 ₁	5
4	...	59 ₈	12 ₁	123 ₁₄	12 ₁	4	2	101	10	4	...	18 ₁₄	2 ₁
.....	6	1	2	2	2
46 ₂	9	14	3	198 ₇	26	12	1	166 ₃	12	16	4	16 ₄	10
7	...	5	2	50	3	10	1	36	2	3	1	11	...
.....	...	13	8	38	11	2	...	32	7	6	4
.....	...	163 ₁₈	27	247 ₂₀	31	10	2	158	18	7 ₂	4	82 ₁₈	9
27	...	2	1	43	2	3	1	26	...	9	...	8	2
8	2 ₁	15	3 ₂	111 ₅	11 ₃	12	...	79	5 ₂	13	4	19 ₅	2 ₁
16 ₁	...	34	1	64 ₂	5	4	2	52 ₂	2	2	2	10	1
20	3	92	9	1	...	122	14	4	...	97	10	2	...	23	4
2	2	38 ₁	7	48 ₁	10	2 ₁	1	38	7	8	2	2 ₁	1
8	1	29	7	53	9	3	...	42	6	4	3	7	...
245 ₇	24 ₁	862 ₃₆	151 ₆	2	...	2,214 ₈₈	271 ₈	137 ₃	19	1,662 ₉	164 ₃	148 ₂	45	404 ₇₇	62 ₅
1,199 ₅₀	327 ₂	4,543 ₉₀	3,309 ₁₁	13	...	6,996 ₁₈₈	3,907 ₁₅	141 ₉	53 ₂	5,316 ₃₈	1,894 ₃	606 ₃	953 ₂	1,074 ₁₄₇	1,060 ₁₀
1,444 ₅₇	351 ₃	5,405 ₁₂₆	3,460 ₁₇	15	...	9,210 ₂₇₆	4,178 ₂₃	278 ₁₂	77 ₂	6,978 ₄₇	2,058 ₆	754 ₅	998 ₂	1,478 ₂₂₄	1,122 ₁₃

No. 38.—RETURN of the several GAOLS, and the number of

Prison, where situated.	Respective Ages of Prisoners.	Committed before.								Employed during the Year.							
		Once.		Twice.		Three or more times.		Total.		Labour in the Prison.		Labour out of the Prison.		Other Employments.		Total.	
		M.	F.	M.	F.	M.	F.	M.	F.	M.	F.	M.	F.	M.	F.	M.	F.
Gaol, Darlinghurst, in the City of Sydney ...	10 to 20 years ...	46 ₁	7	6 ₁	4	32	27	84 ₂	38	59 ₂	17	290 ₄	82	349 ₆	99
	20 to 30 " ...	90 ₅	49	41 ₂	16 ₁	196	171	327 ₇	236 ₁	201 ₆	76 ₁	990 ₁₃	804 ₂	1191 ₁₉	880 ₃
	30 to 40 " ...	74 ₂	36	27 ₃	8	154 ₁	139	255 ₆	183	116 ₃	70 ₁	972 ₁₂	1117 ₁	1088 ₁₅	1187 ₂
	40 to 50 " ...	49 ₂	30	13 ₁	17	57	74	119 ₃	121	80 ₂	46	656 ₉	533 ₁	736 ₁₁	579 ₁
	50 years and upwards	14	16	5	4	65	29	84	49	53	36	555 ₅	482	608 ₅	518
	Total ...	273 ₁₀	138	92 ₇	49 ₁	504 ₁	440	869 ₁₈	627 ₁	509 ₁₃	245 ₂	3463 ₄₃	3018 ₄	3972 ₅₆	3263 ₆
Parramatta ...	10 to 20 years ...	1	1
	20 to 30 " ...	9	...	2	...	14	...	25	...	57 ₂	13	...	70 ₂	...
	30 to 40 " ...	11	1	9	...	16 ₁	...	36 ₁	1	50 ₅	15 ₁	...	65 ₆	...
	40 to 50 " ...	12	2	3	...	12	1	27	3	31	2	...	33	...
	50 years and upwards	23	1	7	3	38	6	68	10	30	4 ₂	...	34 ₂	...
	Total ...	56	4	21	3	80 ₁	7	157 ₁	14	168 ₇	34 ₃	...	202 ₁₀	...
Berrima ...	10 to 20 years	2	...	2	...	3	3	...
	20 to 30 " ...	4	...	5	...	13	...	22	...	67 ₁	...	1	68 ₁	...	
	30 to 40 " ...	3	...	1	...	10	...	14	...	36 ₁	1	2	38 ₁	1	
	40 to 50 " ...	2	...	1	...	8	...	11	...	19 ₁	1	2	21 ₁	1	
	50 years and upwards	2	...	5	...	3	...	10	...	20	1	20	1	
	Total ...	11	...	12	...	36	...	59	...	145 ₃	3	5	150 ₃	3	
Bathurst ...	10 to 20 years ...	2	2	...	1	10	3	11	3
	20 to 30 " ...	1	2	...	1	2	1	3	4	19	4	2	...	47	5	68	9
	30 to 40 " ...	5 ₃	5	2	1	3	6	10 ₃	12	32 ₃	6	2	...	24 ₄	20	58 ₇	26
	40 to 50 " ...	4	3	4	2	4	4	12 ₁	9	17 ₂	3	2	...	27 ₂	12	46 ₄	15
	50 years and upwards	5 ₁	4	2	2	6 ₁	5	13 ₂	11	21 ₃	5	39	...	60 ₃	5
	Total ...	17 ₄	14	8	6	15 ₂	16	40 ₆	36	90 ₈	18	6	...	147 ₆	40	243 ₁₄	58
Maitland ...	Under 10 years
	10 to 20 years	18 ₂	1	2	...	17 ₇	3	37 ₉	4
	20 to 30 " ...	6	3	11 ₁	1	5	11	22 ₁	15	58 ₅	10	21	...	69	29	148 ₅	39
	30 to 40 " ...	8	3	11	3	9	4	28	10	22	5	19 ₁	...	57 ₂	15	98 ₃	20
	40 to 50 " ...	8	...	3	3	8	1	19 ₁	4	13 ₁	3	6	...	48 ₁	11	67 ₂	14
	50 years and upwards	1	1	4	...	14	4	19	5	23	8	3	...	52	15	78	23
Total ...	23	7	29 ₁	7	36 ₁	20	88 ₂	34	134 ₈	27	51 ₁	...	243 ₁₀	73	428 ₁₉	100	

Note.—The small figures denote black or coloured Prisoners.

STATISTICS—1877.

PRISONERS—continued.

PRISONERS in Confinement at MICHAELMAS, 1877, &c., &c.

Gaol Punishments during the Year.						Deaths during the Year.	Number in Confinement at Michaelmas, 1877.																				
Solitary Confinement.		Other Punishments.		Total.	Deaths during the Year.		Felons.			Petty Larceny.			Assaults.			Other Offences.						General					
M.	F.	M.	F.				M.	F.	M.	F.	M.	F.	M.	F.	M.	F.	M.	F.	M.	F.	M.	F.	M.	F.			
40	1	79	13	119	13	1	24	3	1	25	3	7	1	7	1	1	1	1	12	2	1	12	3	44	8		
52	...	93	39	145	39	...	93	16	17	4	110	20	13	5	3	16	5	4	37	22	2	39	22	169	47		
3	...	28	21	31	21	1	61	6	3	2	64	8	8	1	2	10	1	2	21	35	4	25	35	101	45		
4	...	26	8	30	8	2	35	1	2	3	37	4	13	2	1	13	3	1	1	20	23	1	21	23	72	31	
3	...	18	1	21	1	...	20	3	2	...	22	3	6	5	1	7	6	...	16	15	1	17	15	46	24		
102	1	244	82	346	82	3	233	29	25	9	258	38	47	13	6	53	16	7	3	106	97	8	114	98	432	155	
...	3	3	3	...	
23	23	...	1	...	54	4	54	1	1	55	4	
15	2	...	15	...	1	...	67	5	1	...	68	...	1	1	69	5	
10	10	30	2	30	2	2	32	2	
6	6	...	4	...	38	2	2	...	40	2	2	...	2	3	3	45	2	
54	2	...	54	...	6	...	192	13	3	...	195	13	3	...	3	1	1	...	5	5	204	13	
6	6	2	2	2	...
83	83	33	33	5	5	1	1	39	...	
32	2	...	32	25	3	25	3	1	...	1	...	1	...	1	...	1	...	1	28	4
15	15	13	13	1	1	13	1
1	1	6	6	1	1	7	...
137	2	...	137	79	3	79	3	1	...	1	...	7	2	2	2	...	89	5
4	...	2	6	3	3	1	...	2	...	3	...	6	...	
16	...	5	21	13	2	1	...	14	2	3	1	1	...	4	1	18	3	
4	3	2	6	10	2	...	8	1	9	1	1	...	4	4	...	1	4	5	14	5
1	...	1	2	5	5	1	1	1	1	6	1	
...	3	...	12	2	1	...	13	2	5	3	2	...	7	3	20	5	
25	3	2	14	39	2	3	41	4	3	...	44	4	1	1	...	14	9	5	1	19	10	64	14
...	1	1	1
2	...	3	2	5	2	...	4	2	4	2	...	2	2	...	1	1	...	7	2	
10	5	5	9	15	14	...	29	4	3	1	32	4	...	2	2	...	10	3	...	10	3	44	7	
7	1	3	10	15	2	3	1	18	5	2	5	2	23	2	
1	1	...	1	14	14	3	1	3	1	17	1	
1	...	2	1	3	1	...	12	1	12	1	4	2	4	2	16	3	
21	1	6	13	12	34	18	74	8	6	1	80	8	4	4	...	23	8	...	23	8	107	16	

No. 38.—RETURN of GAOLS and PRISONERS in

Prison, where situated.	Respective Ages of Prisoners.	Committed before.								Employed during the Year.							
		Once.		Twice.		Three or more times.		Total.		Labour in the Prison.		Labour out of the Prison.		Other Employments.		Total.	
		M.	F.	M.	F.	M.	F.	M.	F.	M.	F.	M.	F.	M.	F.	M.	F.
Goulburn ...	10 to 20 years ...	3	2	1	2	4	4	22	5	2	...	1	1	25	6
	20 to 30 ,, ...	6	1	3	...	9	1	38	4	11	...	4	...	53	4
	30 to 40 ,, ...	3 ₁	1	1	3	6	5	10 ₁	9	33 ₂	10	18	...	4	2	55 ₂	12
	40 to 50 ,, ...	6	2	1	1	4	4	11	7	23 ₁	10	4	...	3	2	30 ₁	12
	50 years and upwards	10	2	1	1	9	1	20	4	55	10	5	1	60	11
Total	28 ₁	8	4	5	22	12	54 ₁	25	171 ₃	39	35	...	17	6	223 ₃	45	
Port Macquarie	10 to 20 years ...	2	2	...	1	1	...
	20 to 30 ,,	1	1	1	1
	30 to 40 ,,	2	2	...	6	1	...	7	...
	40 to 50 ,,	1	1	...
	50 years and upwards	3	3	...
Total	2	...	3 ₁	5 ₁	...	10 ₁	...	1	...	1	...	12 ₁	...	
Albany ...	10 to 20 years	3	...	3	...
	20 to 30 ,, ...	1	1	1	...	2	1	2	...	3	...	5	...
	30 to 40 ,, ...	1	2	...	3	1	...	4	...	5	...
	40 to 50 ,, ...	1	1	1	2	1	5	...	5	...
	50 years and upwards	2	2	4	...	4	...
Total	5	1	4	1	9	2	3	...	19	...	22	...	
Braidwood	Under 10 years ...	3	3
	10 to 20 ,, ...	1	1	...	1	1	...
	20 to 30 ,, ...	1	1	4	5	1	2	...	2	...	1	1	5	1
	30 to 40 ,, ...	2	1	1	2	3	3	3	3	3	3
	40 to 50 ,,	1	...	1	1	...	1	2	...	1	1	1	1	2
50 years and upwards	5	2	1	6	2	4	1	2	1	6	2	
Total	12	5	6	3	1	...	19	8	10	5	5	...	1	3	16	8	
Mudgee.....	Under 10 years
	10 to 20 ,, ...	1	1	1	1	1	1	...
	20 to 30 ,, ...	2	1	2	...	1	...	5	1	10	1	2	12	1
	30 to 40 ,, ...	6	1	6 ₁	1	9	2	9 ₁	2
	40 to 50 ,, ...	1	...	4	...	7 ₁	7	12 ₁	7	8 ₁	3	1 ₁	9 ₂	3
50 years and upwards	3	...	4	...	10 ₂	6	17 ₂	6	11 ₁	6	1	12 ₁	6	
Total	13	2	10	1	18 ₄	13	41 ₄	16	38 ₂	12	5 ₂	43 ₄	12	

NOTE.—The small figures denote black or coloured Prisoners.

STATISTICS—1877.

PRISONERS—continued.

Confinement at MICHAELMAS, &c.—continued.

Gaol Punishments during the Year.										Number in Confinement at Michaelmas, 1877.																							
Solitary Confinement.			Other Punishments.			Total.	Deaths during the Year.		Felon.						Petty Larceny.						Assaults.						Other Offences.						General Total.
M.	F.	M.	M.	F.	M.		M.	F.	Tried.	Untried.	Total.	Tried.	Untried.	Total.	Tried.	Untried.	Total.	Tried.	Untried.	Total.	Tried.	Untried.	Total.	Tried.	Untried.	Total.							
M.	F.	M.	F.	M.	F.	M.	F.	M.	F.	M.	F.	M.	F.	M.	F.	M.	F.	M.	F.	M.	F.	M.	F.	M.	F.	M.	F.	M.	F.				
2	2	5	...	1	...	6				
17	3	17	3	17	...	1	...	18				
8	5	8	5	14	1	14	1	2	2	...	2	2	...				
3	1	3	1	7	4	1	...	8	4	...	2	1	1	...	1	1	...			
...	10	2	10	2	2	2			
30	9	30	9	1	...	53	7	3	...	56	7	...	2	8	3	2	...	10	3	66	12	
...		
...	1	1	1	1	1	1	...	1	...		
2	2	1	1		
1	1	...	2	...	2	2	2	1	1	...	3		
3	1	3	1	2	...	3	1	3	1	2	2	...	5	...	1		
3	3	2	2	1	1	...	3		
2	2	3	1	4	1	1	...	4	...	1		
6	...	1	...	7	2	2	...	1	1	...	1	...	4			
...	2	2	4	...	1	1	1	...	7			
1	1	...	2	...	1	1	2	2	...	4			
12	2	...	1	13	2	10	3	13	2	2	3	...	3	1	...	4	...	22	1	
...		
...	...	2	...	2	2	2	2			
...	1	1	1	...	2	...		
1	...	1	...	2	1	1	1	1	...	1	1	2	...	1		
...	...	1	...	1		
1	...	4	...	5	4	4	2	1	...	2	1	6	...	1		
...		
2	2		
6	2	6	2	3	1	3	1	1	...	5		
7	1	7	1	1	...	4	1	2	...	6	1	2	...	8	...	1		
6	1	7	...	6	1	7	...	2	1	1	...	3	1	1	...	4	...	1		
...	1	3	1	3	...	2	1	2	...	4	1	5	...	1		
21	8	13	...	21	8	13	1	2	11	4	2	5	16	4	2	1	1	4	1	...	4	1	22	5

Prison, where situated.	Respective Ages of Prisoners.	Committed before.								Employed during the Year.							
		Once		Twice.		Three or more times.		Total.		Labour in the Prison.		Labour out of the Prison.		Other Employments.		Total.	
		M.	F.	M.	F.	M.	F.	M.	F.	M.	F.	M.	F.	M.	F.	M.	F.
Wagga Wagga..	20 to 30 years	2	2
	30 to 40 "	2	1	2	2	4	3	2	...	3	...	3	1	8	1
	40 to 50 "	3	1	3	1
	50 years and upwards	1	1	...	1	1
	Total	7	2	3	3	10	5	2	...	3	...	3	1	8	1
Armidale	10 to 20 years	2	...	1	3
	20 to 30 "	2	2	2	2	3	5	2	
	30 to 40 "	2	...	1	...	3	...	6	3	2	3	6	2	
	40 to 50 "	3	1	1	1	4	2	...	2	2	...	
	50 years and upwards	1	...	4	...	8	...	13	1	...	3	4	...	
Total ...	10	1	7	1	11	...	28	2	6	4	11	17	4		
Yass	Under 10 years	5	1	5	1	5	1	5	1
	10 to 20 "	2	...	2	4	4	...	4	...
	20 to 30 "	12	2	10	...	14	...	36	2	3	1	3	...	30	1	36	2
	30 to 40 "	10	1	15	...	13	6	38	7	4	2	2	...	32	5	38	7
	40 to 50 "	12	3	20	2	25	4	57	9	6	1	3	...	48	8	57	9
50 years and upwards	14	2	16	1	16	3	46	6	46	6	46	6	
Total ...	55	9	63	3	68	13	186	25	13	4	8	...	165	21	186	25	
Deniliquin	10 to 20 years	...	1	1	1	...	1	...	1	...	3	...	
	20 to 30 "	1	2	...	3	...	3	8	...	2	1	13	1	
	30 to 40 "	2	...	2	...	1	...	5	...	4	3	7	...	
	40 to 50 "	...	1	3	...	2	2	5	3	...	5	...	1	2	6	2	
	50 years and upwards	2	...	3	...	2	2	7	2	2	...	2	4	...	
Total ...	5	2	8	...	7	4	20	6	10	...	19	...	4	3	33	3	
TOTALS OF GAOLS		510	190	270	79	805	529	1585	798	1306	357	152	...	4097	3165	5555	3522
		20	2	12	2	11	29	43	4	46	3	4	...	71	4	121	7

NOTE.—The small figures denote black or coloured Prisoners.

No. 39.—RETURN of POLICE GAOLS, and the Number of

Prison, where situated.	Committed before.								Employed during the Year.							
	Once.		Twice.		Three or more times.		Total.		Labour in the Prison.		Labour out of Prison.		Other Employments.		Total.	
	M.	F.	M.	F.	M.	F.	M.	F.	M.	F.	M.	F.	M.	F.	M.	F.
Bega	4		3		3		10		3				7		10	
Bourke	4		1		4	1	9	1								
Campbelltown																
Cooma	8		3		1		12		4				6		10	
Dubbo	7	2	6	1	7	2	20	5	11	4	4				15	4
Forbes	8	2	1	1	9	9	18	12								
Glen Innes	3				1		4									
Grafton	8	2	5		4	1	17	3	55	3	11				66	3
Grenfell	1		1				2									
Gundagai	2		2			1	4	1					5	1	5	1
Hay	15	2	6	1	28	3	49	6								
Murrurundi									2		1				3	
Muswellbrook			2	1			2	1								
Narrabri			1				1		3		1				4	
Nimitybelle...																
Orange	18	1	8		10	6	36	7	39	9	7				46	9
Queanbeyan									5		2				7	
Singleton	24	4	4	1	2	2	30	7								
Tamworth	3						3		1						1	
Tenterfield	6		3		6		15		25		2				27	
Wellington	4		3		6	5	13	5	10	1					10	1
Wentworth	1		4		2		7		3						3	
Windsor	10	2	38		85	1	133	3	20	3					20	3
Wollongong	3		1		6	2	10	2					1		1	
Young	4		6	1	2	2	12	3								
TOTALS OF POLICE GAOLS	133	15	97	6	176	34	406	55	181	19	28		19	1	228	20
TOTALS OF GAOLS	510	190	270	79	805	529	1585	798	1306	357	152		4097	3165	5555	3522
GENERAL TOTAL	643	205	367	85	981	563	1991	853	1487	376	180		4116	3166	5783	3542

NOTE.—The small figures denote black or coloured Prisoners.

STATISTICS—1877.

PRISONERS—continued.

PRISONERS in Confinement at MICHAELMAS, 1877, &c., &c.

Gaol Punishments during the Year.							Number in Confinement at Michaelmas, 1877.																																
			Deaths during the Year.			Felon.						Petty Larceny.						Assaults.						Other Offences.						General Total.									
Solitary Confinement.	Other Punishments.	Total.	M.	F.	M.	F.	Tried.	Untried.	Total.	Tried.	Untried.	Total.	Tried.	Untried.	Total.	Tried.	Untried.	Total.	Tried.	Untried.	Total.	Tried.	Untried.	Total.	Tried.	Untried.	Total.	Total.											
M.	F.	M.	F.	M.	F.	M.	F.	M.	F.	M.	F.	M.	F.	M.	F.	M.	F.	M.	F.	M.	F.	M.	F.	M.	F.	M.	F.	M.	F.	M.	F.	M.	F.						
...					
5	...	3	...	8	1	...	8	...	9	...	2	...	5	...	7	...	1	...	1	...	2	...	3	3	...	21	...						
...	1	1	1	...	1	...	2	...	3	...						
...	...	1	...	1	2	2	...	2	...	2	...						
1	2	1	3	2	1	3	...	1	...	4	...	1	1	1	...	1	...	4	...	1	...	5	...	11	...					
...	2	2	3	1	3	1	...	3	1	5	1						
...	1	1	...	1	1	...	1	1	1	1	...	1	...	2	...	1	...						
3	3	1	1	1	1	1	...	2	1	1	...	1	...	1	1	...	1	...	3	...	1	...	4	...	9	1					
...	1	1	...	1	...					
...	1	...	1	1	1	1	...	1	1	4	4	4	...	4	...	5	1					
...	2	...	2	2	1	...	1	...	1	...	1	...	4					
...	1	...	1	1	1	...	1	1	...	1	1	...	2	...	1	...				
...	5	...	5	2	1	...	2	...	1	...	7	...					
...	2	4	4	...	1	1	...	1	...	1	...	1	...	1	...	1	5	1	...					
...	1	1	...	1	...	1	...	1	...	1	...	1	...	1	...	1	3					
2	2	1	1	...	1	5	2	5	2	...	2	...	2	...	2	...	2	...	6	...	8	...	16	2	...						
...	3	3	3	...	1	...	3	1	...	6	1						
1	1	2	...	1	...	2	1	2	1					
2	...	2	...	4	1	1	...	1	5	1	...	5	1	...	5	1	...	6	2					
1	1	1	...	1	...	1	4	4	4	...	1					
...	1	...	1	2	...	2	2	...	2	...	2	...	2	...	5					
...	1	...	1	1	1	...	1	1	...	1	1	...	1	...				
14	3	...	6	...	20	...	5	1	12	3	19	4	1	31	4	4	16	...	19	2	35	2	3	...	5	...	8	...	38	1	4	9	1	47	2	5	121	6	11
437	32	284	94	721	126	15	6	737	53	72	5	9	809	62	63	16	6	3	69	19	26	3	26	3	184	129	16	2200	3	131	1104	215	2	2			
451	32	290	94	741	126	20	7	749	56	91	10	1	840	66	79	16	25	5	104	21	29	3	5	...	34	3	222	133	25	3	247	136	1225	226	2	2			

SUPREME AND CIRCUIT COURT CASES—continued.

No. 40 (continued)—RETURN of SUPREME and CIRCUIT COURT CASES—continued.

OFFENCES.	Central Criminal Court.			Albury.			Armidale.			Bathurst.			Deniliquin.			Goulburn.			Maitland.			Tamworth.			Wagga Wagga.			Yass.			Dubbo.			Grafton.			Mudgee.			Totals.															
	Committals.	Trials.	Convictions.	Acquittals.	Committals.	Trials.	Convictions.	Acquittals.	Committals.	Trials.	Convictions.	Acquittals.	Committals.	Trials.	Convictions.	Acquittals.	Committals.	Trials.	Convictions.	Acquittals.	Committals.	Trials.	Convictions.	Acquittals.	Committals.	Trials.	Convictions.	Acquittals.	Committals.	Trials.	Convictions.	Acquittals.	Committals.	Trials.	Convictions.	Acquittals.	Committals.	Trials.	Convictions.	Acquittals.															
MISDEMEANORS.																																																							
Attempt to commit sodomy																																									2	2	2												
Assault	1	1	1					1	1	1																																	6	6	5	1									
Assault on constables	1	1	1																																									1	1	1									
Attempting to commit suicide																																														2	2	2							
Assault with intent to commit a rape	4	4	3	1																																											7	7	5	2					
Assault on female children under 12 years of age																																																1	1		1				
Inflicting grievous bodily harm	2	2	1	1																																												4	4	3	1				
Uttering counterfeit coin... ..	1	1	1		1	1	1																																										4	4	4				
Indecent assault	1	1	1		1	1	1																																										3	3	1	2			
Abduction... ..																																																	1	1		1			
Attempt to commit felony																																																	2	2	2				
Obtaining money or goods under false pretences																																																			7	7	6	1	
Concealing birth	2	2	1	1																																														5	5	4	1		
Unlawfully using cattle	1	1	1																																															4	4	4			
Unlawfully wounding	4	4	3	1	2	2	1	1																																										13	13	8	5		
Perjury																																																			2	2		2	
Conspiring to defraud creditors	4	4	3	1																																														5	5	3	2		
Conspiracy... ..	2	2	2																																																2	2		2	
Illegally pawning	1	1	1																																																1	1	1		
Libel																																																				1	1	1	
Total Number of Misdemeanors	24	24	17	7	4	4	2	2	4	4	2	2	5	5	5		4	4	1	3	5	5	4	1	4	4	3	1	3	3	3		3	3	2	1	5	5	4	1	4	4	3	1	5	5	4	1	3	3	1	2			
Total Number of Cases	84	84	63	21	10	10	6	4	12	12	10	2	17	17	11	6	16	16	7	9	13	13	8	5	24	24	18	6	18	18	12	6	16	16	7	9	20	20	11	9	17	17	13	4	13	13	9	4	21	21	9	12			

NOTE.—This return refers to cases, not to individuals.

QUARTER SESSIONS CASES.

No. 41.—RETURN showing the Number of QUARTER SESSIONS CASES within the METROPOLITAN DISTRICT, during the Year 1877.

OFFENCES	Sydney.				Campbelltown.				Windsor.				Parramatta.				Maitland.				Singleton.				Totals.				
	Committals.	Trials.	Convictions.	Acquittals.	Committals.	Trials.	Convictions.	Acquittals.	Committals.	Trials.	Convictions.	Acquittals.	Committals.	Trials.	Convictions.	Acquittals.	Committals.	Trials.	Convictions.	Acquittals.	Committals.	Trials.	Convictions.	Acquittals.	Committals.	Trials.	Convictions.	Acquittals.	
FELONIES.																													
Robbery with violence	15	8	5	3	
Shooting with intent to do grievous bodily harm	1	
Arson	
Stealing from the person	57	48	33	15	
Burglary	3	3	3	
House-breaking	6	6	3	3	
Stealing in a dwelling-house	14	14	13	1	I	I	I	
Larceny	72	63	48	15	2	I	I	...	I	I	...	I	I	I	
Receiving stolen property	5	5	3	2	
Forgery and uttering	8	8	8	I	I	I	
Embezzlement	14	11	9	2	
Horse-stealing	3	2	2	I	I	I	
Cattle-stealing	2	1	1	
Sheep-stealing	
Assault with intent to rob... ..	3	3	2	1	
Feloniously wounding	10	9	5	4	
Feloniously killing cattle	
Total Number of Felonies	213	181	135	46	2	I	I	...	4	4	3	I	10	10	6	4	34	28	14	14	7	5	I	4	270	229	160	69	
MISDEMEANORS.																													
Assault	6	5	5
Attempting to commit suicide	11	8	6	2	2	2	2	...	I	I	I	
Assault with intent to commit a rape	1	
Child desertion	
Assault on female children under 12 years of age	1	1	1	
Inflicting grievous bodily harm	12	12	7	5	
Indecent assault	5	4	1	3	
Abduction	
Keeping a bawdy house	17	17	17	
Obtaining money or goods under false pretences	23	17	14	3	I	I	...	I	5	5	5		
Concealing birth	2	2	2	
Unlawfully and maliciously wounding	53	49	33	16	I	
Perjury	1	1	1	
Assault with intent to carnally know and abuse a girl under 10 years	2	1	1	I	I	I	
Unlawful pawning	14	12	10	2	
Assault occasioning actual bodily harm	2	2	1	1	
Being found by night in dwelling-house with intent to commit a felony	5	4	2	2	
Undertaking to tell fortunes	4	2	1	1	
Altering pawnbroker's duplicate	1	
Riot and assault	
Tampering with Post Office letters	
Total Number of Misdemeanors... ..	160	137	101	36	8	7	6	I	8	8	7	I	23	19	8	11	3	2	I	I	202	173	123	50	
Total Number of Cases	373	318	236	82	2	I	I	...	12	11	9	2	18	18	13	5	57	47	22	25	10	7	2	5	472	402	283	119	

QUARTER SESSIONS CASES—continued.

No. 41 (continued)—RETURN showing the Number of QUARTER SESSIONS CASES within the SOUTHERN DISTRICT, during the Year 1877.

OFFENCES.	Mudgee?				Goulburn.				Yass.				Wollongong.				Braidwood.				Queanbeyan.				Cooma.				Bega.				Totals.							
	Committals.	Trials.	Convictions.	Acquittals.	Committals.	Trials.	Convictions.	Acquittals.	Committals.	Trials.	Convictions.	Acquittals.	Committals.	Trials.	Convictions.	Acquittals.	Committals.	Trials.	Convictions.	Acquittals.	Committals.	Trials.	Convictions.	Acquittals.	Committals.	Trials.	Convictions.	Acquittals.	Committals.	Trials.	Convictions.	Acquittals.	Committals.	Trials.	Convictions.	Acquittals.				
FELONIES.																																								
Arson
Stealing from the person
Burglary	1	1	1
House-breaking
Stealing in a dwelling-house	2	2	2
Larceny	4	2	2	...	12	11	8	3	3	2	1	1	1	1	1	...	4	4	1	3	4	4	3	1
Receiving stolen property	3	3	3
Forgery and uttering	10	3	3	...	2	2	2	...	2	2	2	...	1	1	1
Horse-stealing	2	2	1	1	2	2	1	1	4	4	3	1	1	1	1	...	2	1	1	...	1	1	1	...	6	6	4	2
Cattle-stealing
Sheep-stealing	1	1	...	1	1
Feloniously wounding
Manslaughter
Feloniously wounding cattle
Escape	2	2	2
Feloniously killing cattle	2	1	1
Stealing letter sent by post	2	1	...	1
Total Number of Felonies	21	13	11	2	11	8	7	1	25	21	17	4	5	4	3	1	7	5	3	2	9	8	5	3	25	20	15	5	3	3	3	...	106	82	64	18				
MISDEMEANORS.																																								
Assault	1	1	1	...	3	3	1	2	1	1	...	1	1	1	1
Attempting to commit suicide	1	1	1
Inflicting grievous bodily harm	1	1	1
Uttering counterfeit coin	1	1	1
Indecent assault	1	1	1	...	1	1	1
Obtaining money or goods under false pretences	4	2	2	...	1	1	1	...	2	1	1	1	3	1	1	...	1	1
Concealing birth
Unlawfully using cattle
Unlawfully and maliciously wounding	2	2	1	1	1	1	...	1	1	1	1	2	2	2	1	1	1	...	1	1	1
Perjury
Voting twice at an election	1	1	...	1	1	1	1	...	2	1	...	1
Making false declaration	1	1	...	1
Attempt to obtain money by false pretences	1
Prize fight
Assault occasioning actual bodily harm
Total number of Misdemeanors	10	7	6	1	10	9	4	5	5	4	3	1	4	4	2	2	5	3	1	2	4	3	2	1	8	5	3	2	2	2	1	1	48	37	22	15				
Total number of Cases	31	20	17	3	21	17	11	6	30	25	20	5	9	8	5	3	12	8	4	4	13	11	7	4	33	25	18	7	5	5	4	1	154	119	86	33				

STATISTICS—1877.

QUARTER SESSIONS CASES—continued.

No. 41 (continued)—RETURN showing the Number of QUARTER SESSIONS CASES within the WESTERN DISTRICT, during the Year 1877.

OFFENCES.	Dubbo.				Wellington.				Orange.				Forbes.				Bathurst.				Bourke.				Totals.				
	Committals.	Trials.	Convictions.	Acquittals.	Committals.	Trials.	Convictions.	Acquittals.	Committals.	Trials.	Convictions.	Acquittals.	Committals.	Trials.	Convictions.	Acquittals.	Committals.	Trials.	Convictions.	Acquittals.	Committals.	Trials.	Convictions.	Acquittals.	Committals.	Trials.	Convictions.	Acquittals.	
FELONIES.																													
Robbery with violence	
Arson	
Stealing from the person	2	1	1	...	3	3	3	...	3	3	3	...	1	1	1	...	2	1	1	...	5	3	3	...	16	12	12	...	
Burglary	
House-breaking	1	1	1	...	1	1	1	
Stealing in a dwelling-house	
Larceny	4	4	1	3	1	1	1	...	6	6	4	2	9	7	4	3	9	6	6	...	16	11	8	3	45	35	24	11	
Receiving stolen property...	
Forgery and uttering	1	1	1	1	1	3	1	1	...	1	1	1	...	6	4	3	1	
Embezzlement	
Horse-stealing	4	4	4	2	2	2	...	4	4	2	2	5	4	2	2	6	5	5	...	21	19	15	4	
Cattle-stealing	2	2	1	1	6	4	2	2	8	6	3	3	
Sheep-stealing	9	6	4	2	5	4	3	1	1	1	...	1	4	2	2	19	13	7	9		
Feloniously wounding	1	1	1	
Feloniously wounding cattle	2	2	2	...	1	1	1	3	3	3	...	
Garrotting	2	2	2	
Throwing destructive substance with intent to burn	1	1	1	
Feloniously killing cattle	3	1	3	
Compounding a felony	1	1	1	
Total Number of Felonies	14	13	10	3	18	15	12	3	23	21	16	5	21	17	9	8	29	17	12	5	32	23	20	3	137	106	79	27	
MISDEMEANORS.																													
Assault	1	1	...	1	1	1	1	1	1	1	...	1	4	3	2	1	...	
Assault on constables	1	1	1	...	1	1	1	...	1	1	1	...	2	1	...	1	5	4	3	1	
Attempting to commit suicide	1	1	1
Assault with intent to commit a rape	1	1	1	1	1	1	1	1	1	
Assault on female children under 12 years of age	1	1	1	1	1	1	
Inflicting grievous bodily harm	2	2	2
Indecent assault	1	1	1	1	1	1	1	1	1	
Prison breach	1	1	1
Keeping a bawdy-house	1	1	1	1	1	1
Obtaining money or goods under false pretences	6	4	4	...	1	2	2	1	1	2	2	2	...	11	8	7	1	
Unlawfully and maliciously wounding	1	1	...	1	1	1	1	1	1	1	3	3	1	2	...	
Perjury	1	1	1	1	...	1	4	2	2
Assault occasioning actual bodily harm	1	1	1	
Being found by night in dwelling with intent to commit a felony	1	2	
Libel	1	
Escape	1	1
Total number of Misdemeanors	3	2	...	2	3	3	2	1	10	8	8	...	4	2	1	1	10	9	7	2	10	4	3	1	40	28	21	7	
Total Number of Cases	17	15	10	5	21	18	14	4	33	29	24	5	25	19	10	9	39	26	19	7	42	27	23	4	177	134	100	34	

QUARTER SESSIONS CASES—continued.

No. 41 (continued)—RETURN showing the Number of QUARTER SESSIONS CASES within the NORTHERN DISTRICT, during the Year 1877.

OFFENCES.	Grafton.			Muswellbrook.				Murrurundi.				Tamworth.				Armidale.				Glen Innes.				Tenterfield.				Narrabri.				Port Macquarie.				Totals.														
	Committals.	Trials.	Convictions.	Acquittals.	Committals.	Trials.	Convictions.	Acquittals.	Committals.	Trials.	Convictions.	Acquittals.	Committals.	Trials.	Convictions.	Acquittals.	Committals.	Trials.	Convictions.	Acquittals.	Committals.	Trials.	Convictions.	Acquittals.	Committals.	Trials.	Convictions.	Acquittals.	Committals.	Trials.	Convictions.	Acquittals.	Committals.	Trials.	Convictions.	Acquittals.														
FELONIES.																																																		
Robbery with violence												1	1		1																						1	1		1										
Arson																																						2												
Stealing from the person												7	7	2	5	1	1	1																						11	11	4	7							
Stealing in a dwelling-house	1	1	1		1	1	1					1	1	1							1	1	1																4	4	4									
Larceny	3	3	1	2	2	2	2					10	9	6	3	9	4	2	2	11	5	4	1	1	1	1															47	32	21	11						
Receiving stolen property												3	3	3																												8	6	6						
Forgery and uttering	1	1		1																																						4	4	2	2					
Embezzlement												2																															3	1	1					
Horse-stealing					2							11	5	5		2	2	1	1	2	2	2																						5	4	2	2			
Cattle-stealing																																													2	1		1		
Sheep-stealing																																														1	1		1	
Assault with intent to rob																																														1	1		1	
Feloniously killing cattle																																														2	1	1		
Severing tin ore with intent to steal																																															1	1	1	
Total Number of Felonies	5	5	2	3	5	3	3					36	26	17	9	19	14	8	6	14	8	7	1	4	4	2	2	23	16	10	6	5	2	1	1	111	78	50	28											

CONVICTIONS.

No. 42.—DECENNIAL RETURN of the Number of CONVICTIONS in the SUPREME and CIRCUIT COURTS and COURTS OF QUARTER SESSIONS.

Year.	Felonies.			Misdemeanors.			Total Number of Convictions.
	Supreme and Circuit Courts.	Courts of Quarter Sessions.	Total.	Supreme and Circuit Courts.	Courts of Quarter Sessions.	Total.	
1868	148	288	436	39	126	165	601
1869	139	390	529	35	118	153	682
1870	103	331	434	44	123	167	601
1871	127	343	470	38	120	158	628
1872	119	341	460	53	130	183	643
1873	151	303	454	52	141	193	647
1874	127	360	487	65	148	213	700
1875	116	385	501	40	166	206	707
1876	163	439	602	58	150	208	810
1877	133	418	551	51	215	266	817

EXECUTIONS.

No. 43.—RETURN of the Number of CRIMINALS EXECUTED during the Year commencing 1st January and ending 31st December, 1877.

Where Executed.	Religion.	Age.	Offence.	Where Born.	Number.
Dubbo	Wesleyan	30	Murder	Victoria... ..	1
Wagga Wagga	Roman Catholic	40	Do.	New South Wales	1
					2

No. 44.—DECENNIAL RETURN of the Number of CRIMINALS EXECUTED.

Year.	Number.	Year.	Number.
1868	5	1873	4
1869	...	1874	3
1870	...	1875	2
1871	3	1876	4
1872	3	1877	2

STATISTICS—1877.

59

OFFENCES REPORTED TO THE POLICE.

No. 45.—RETURN showing the number of Offences reported to the Police during the years 1876 and 1877.

Year.	Total Number of Offences reported.	Offences against the Person.	Offences against Property.	Other Offences (excluding Drunkards).
		No.	No.	No.
1876	19,111	3,863	7,294	7,954
1877	21,604	4,405	7,629	9,570

APPREHENSIONS AND SUMMONSES.

No. 46.—RETURN showing the number of persons (including cases heard *ex parte*) brought before the Magistrates' Courts by Arrest, Warrant, or Summons, not including Civil Cases, and how their cases were disposed of in the Magistrates' Courts, in the Colony of New South Wales, in the Year 1877.

Nature of Offences.	Total number of Persons brought before the Magistrates' Courts.	Number of Persons.			
		Discharged for want of prosecution, or for want of Evidence.	Whose cases were dismissed on the merits.	Summarily convicted.	Committed for Trial.
Offences against the Person...	8,539	2,359	1,212	4,567	401
Offences against Property	6,130	1,221	1,049	2,788	1,072
Other cases (Not including cases brought up for Lunacy.)	33,070	4,208	3,170	25,648	44
Total number of persons summoned or apprehended	47,739	7,788	5,431	33,003	1,517

SUMMARY CONVICTIONS.

No. 47.—RETURN showing the number of Summary Convictions for various classes of Offences, and the kind of Punishments inflicted by the Benches of Magistrates in the Colony of New South Wales, in the Year 1877.

Punishments.	Total Number of Offences.	Offences against the Person.	Offences against Property.	Other Offences.
Fine	19,409	3,217	1,387	14,805
Fine with Imprisonment	2	2
Imprisonment, in lieu of Fine or Surety	10,095	646	528	8,921
Peremptory Imprisonment	1,896	254	684	958
Whipping
Imprisonment with Whipping
Bound over with or without Sureties... ..	463	334	42	87
Other Punishments	1,138	116	147	875
Total	33,003	4,567	2,788	25,648

INDICTMENTS AND INFORMATIONS IN THE SUPERIOR COURTS.

No. 48.—RETURN of INDICTMENTS and INFORMATIONS in the SUPREME and CIRCUIT COURTS and COURTS OF QUARTER SESSIONS of the Colony, in the Year 1877.

How the cases tried in the Superior Courts ended.	Total.	Murder other than Wife and Child Murder.	Manslaughter.	Attempt at Murder.	The Returns below include the Indictments for Attempts and Conspiracies to commit the several offences.										
					Wife-murder.	Child-murder.	Concealment of Birth.	Abortion.	Rape.	Unnatural Crimes.	Other Offences against the Person.	Malicious injuries to Property.	Robbery with violence.	Other Offences against Property.	Miscellaneous Offences.
Supreme and Circuit Courts—															
Judgment for the Crown	196	4	8	2	4	...	8	4	27	9	14	7	109
Judgment for the Prisoner... ..	103	4	6	4	...	1	1	...	7	4	17	2	4	1	52
Cases fell through for want of prosecution	4	4
Prisoner found insane	2	1	1
	305	9	14	6	...	1	5	...	15	8	44	11	18	8	166
Courts of Quarter Sessions—															
Judgment for the Crown	633	3	168	...	6	412	44
Judgment for the Prisoner... ..	266	73	...	4	175	14
Cases fell through for want of prosecution	229	1	48	...	7	159	14
Prisoner found insane	2	2
	1,130	1	3	291	...	17	746	72
SUMMARY :—															
Judgment for the Crown	829	4	8	2	7	...	8	4	195	9	20	419	153
Judgment for the Prisoner	369	4	6	4	...	1	1	...	7	4	90	2	8	176	66
Cases fell through for want of prosecution	233	1	48	...	7	159	18
Prisoner found insane	4	1	2	1
GENERAL TOTAL	1,435	9	14	7	...	1	8	...	15	8	335	11	35	754	238

NOTE.—Where two or more prisoners have been committed for the same offence, they have been entered as separate cases.

OFFENCES, APPREHENSIONS, CONVICTIONS, &c.

No. 49.—RETURN showing the number of OFFENCES, APPREHENSIONS, CONVICTIONS, and ACQUITTALS, in the Years 1876 and 1877.

	1876.	1877.
	Number.	Number.
The number of Offences reported to the Police	19,111	21,604
The number of persons apprehended by the Police, or summoned before the Magistrates	45,105	47,739
The number of Summary Convictions	1. For Offences against the Person	4,567
	2. For Offences against Property	2,788
	3. For other Offences	25,648
The number of Convictions in the Superior Courts	1. For Offences against the Person	228
	2. For Offences against Property	448
	3. For other Offences	153
The number of persons Acquitted	1. In the Inferior Courts... ..	5,431
	2. In the Superior Courts	369

APPREHENSIONS BY THE POLICE, &c., &c.

No. 50.—RETURN showing the Number of PERSONS taken into CUSTODY by the POLICE and SUMMARILY DEALT WITH, COMMITTED FOR TRIAL, or DISCHARGED, and the DEGREE OF INSTRUCTION of same, between the 1st January and 31st December, 1877, in the several POLICE DISTRICTS of the Colony.

POLICE DISTRICTS.	BENCHES.	Offences against the Person.								Offences against Property.								Drunkenness.								Degree of Instruction.					
		Taken into custody.		Convicted.		Committed for Trial.		Discharged.		Taken into Custody.		Convicted.		Committed for Trial.		Discharged.		Taken into Custody.		Convicted.		Committed for Trial.		Discharged.		Can read and write.		Can read only.		Cannot read.	
		M.	F.	M.	F.	M.	F.	M.	F.	M.	F.	M.	F.	M.	F.	M.	F.	M.	F.	M.	F.	M.	F.	M.	F.	M.	F.	M.	F.	M.	F.
Albury	Albury	63	4	51	3	7	1	5	...	32	2	14	1	11	...	7	1	108	12	97	11	11	1	192	10	2	2	9	6
	Corowa	66	1	57	...	1	...	8	1	32	...	25	...	2	...	5	...	54	1	24	1	30	...	127	1	19	...	6	1
	Howlong	7	1	4	1	3	...	16	...	5	...	7	...	4	...	6	5	6	5	20	1	3	3	6	2
	Mulwala	2	...	2	1	1	3	3	3	6
	Tumberumba	28	1	20	1	1	...	7	...	17	...	3	...	11	...	3	...	47	2	20	1	27	1	80	...	4	2	8	1
Armidale	Ten-mile Creek	27	...	20	...	2	...	5	...	6	...	1	...	1	...	4	...	9	1	4	1	5	...	26	...	3	1	13	...
	Armidale	7	...	5	...	2	18	...	6	...	6	...	6	...	129	3	129	3	110	1	10	1	34	1
	Uralla	4	3	1	...	1	1	2	2	11	2	4	2	1	...	2	...	38	6	22	3	16	3	36	7	3	...	14	4
	Bendemeer	9	1	4	1	5	...	11	...	7	...	2	...	2	...	13	1	6	7	1	30	1	3	1
	Walcha	2	...	2	2	...	2	36	...	25	11	...	24	...	5	...	11	...
Balranald	Bundarra	12	1	9	3	1	15	3	4	1	6	2	5	...	4	...	4	22	1	9	3
	Balranald	10	3	2	2	6	1	14	...	6	...	2	...	6	...	36	4	21	4	15	...	52	1	6	3	2	3
Bathurst	Bathurst	49	13	39	13	1	...	9	...	123	26	72	18	11	2	40	6	239	81	239	80	319	87	19	11	73	22
	Sofala	10	...	8	...	1	...	1	...	7	...	4	...	2	...	1	...	24	1	12	12	1	30	1	10	...	1	...
	Rockley	6	...	4	2	...	3	1	2	...	1	1	2	1	2	1	5	1	3	...	3	1
Bega	Oberon	10	1	6	1	4	...	6	...	2	...	4	4	...	2	2	...	16	1	4	...
	Bega	19	1	15	1	4	...	14	...	4	...	4	...	6	...	57	...	17	40	...	78	1	4	...	8	...
Berrima	Berrima	18	4	17	4	1	...	11	6	8	6	2	...	1	...	7	3	2	2	5	1	27	9	1	...	8	4
Bombala	Bombala	5	...	2	...	1	...	2	...	16	10	...	6	...	8	...	2	6	...	18	...	1	...	10	...
Boorowa	Boorowa	14	2	10	1	4	1	20	...	5	...	12	...	3	...	24	...	20	4	...	39	1	8	1	11	...
	Binalong	7	2	3	2	4	...	11	1	1	...	7	...	3	1	1	1	...	18	3	1	...
Bourke	Bourke	27	3	7	1	6	1	14	1	53	1	13	...	15	1	25	...	118	2	78	2	40	...	161	6	7	...	30	...
	Brewarrina	27	2	20	...	1	1	6	1	12	...	2	...	5	...	5	...	24	2	22	2	2	...	47	4	6	...	10	...
	Eringonia
Braidwood	Louth
	Braidwood	13	5	8	5	3	...	2	...	7	2	...	5	...	7	5	3	3	4	2	16	1	4	2	7	7
Brisbane Water	Araluen	1	...	1	7	...	2	...	3	...	2	...	2	2	1	1	2	7	3	2	...
	Gosford	7	3	4	2	1	...	2	1	5	...	1	4	...	8	1	5	1	3	...	18	1	...	3	2	...
Broulee	Cooranbong	5	...	3	2	...	2	2	6	1	...
	Moruya	10	1	3	7	1	2	2	...	12	3	7	5	3	14	1	...	10	3	...
	Nelligen	1	1	2	...	1	1	...	3
	Nerrigundah	2	...	1	1	3	1	3	1	5	1
	Bateman's Bay	8	...	1	7	...	4	...	2	...	2	...
Camden, Narellan, & Picton	Camden	2	...	1	...	1	1	1	21	7	21	7	19	4	...	5	3	...
	Picton	1	1	...	3	1	3	1	12	1	12	1	12	2	1	...	3	...
Campbelltown	Campbelltown	17	8	14	8	3	...	14	2	9	5	2	39	5	35	5	4	...	50	5	8	6	12	4
Carcoar	Carcoar	31	7	23	4	8	3	18	1	2	...	4	...	12	1	36	4	8	28	4	56	8	10	1	19	3
	Tuena	1	1	1
	Trunkey	4	...	3	1	...	4	...	1	...	2	...	1	...	1	...	1	5	4
Cassilis	Blayney	4	...	2	2	...	10	2	3	1	4	...	3	1	5	1	2	3	1	16	2	1	...	2	1
	Cassilis	2	...	2	9	...	5	4	...	4	...	2	...	5	...
	Merriva	3	...	1	...	1	...	1	...	10	...	7	...	1	...	2	...	40	2	12	1	28	1	43	1	7	1	3	...
	Denison Town	4	...	4	8	7	...	1	...	4	...	4	14	...	2

No. 50 (continued)—RETURN OF APPREHENSIONS BY THE POLICE, &c.—continued.

POLICE DISTRICTS.	BENCHES.	Offences against the Person.								Offences against Property.								Drunkenness.								Degree of Instruction.					
		Taken into Custody.		Convicted.		Committed for Trial.		Discharged.		Taken into Custody.		Convicted.		Committed for Trial.		Discharged.		Taken into Custody.		Convicted.		Committed for Trial.		Discharged.		Can read and write.		Can read only.		Cannot read.	
		M.	F.	M.	F.	M.	F.	M.	F.	M.	F.	M.	F.	M.	F.	M.	F.	M.	F.	M.	F.	M.	F.	M.	F.	M.	F.	M.	F.	M.	F.
Cooma	Cooma	9	4	3	2	38	6	20	12	25	2	19	1	6	1	49	7	2	16												
	Buckley's Crossing																														
	Seymour					6	1	5		2					3																
Coonamble	Nimitybelle																														
	Coonamble	55	5	35	4		20	43	4																						
	Coonabarrabran	5	2		3			10	2	7	4	4																			
Cowra	Cowra	38	4	32	3	2	1	4	27	13	5	9	26	4	9	2	17	2	55	4	8	28	4								
	Deniliquin	45	1	26	1	2		17	35	6	11	1	8	2	16	3	338	47	316	43											
	Moulamein	4	2		2			7				3	2				23		14												
Dowling	Jerilderie	17	1	14	1	2		1	8	2		5	1			23	1	1													
	Tocumwall	5	1	4	1	1			3	3						2	2	2	1												
	Ulladulla	1																													
Dubbo	Milton																														
	Dubbo	69	18	53	14	16	2	2	51	29	20	2	73	10	60	3	154	24	17	22	4										
	Cannonbar	4		1				3	3	1		2	1	1		6		6													
Dungog	Coolah	1		1				7				2		5																	
	Warren	2		1		1		4				4				4		3													
	Dandaloo	2		2				4	1			4	1																		
Eden	Dungog	29	1	21	1			8	3	1	1	2	1			27		16													
	Clarence Town	2		2				4	1	3		1			1																
	Eden																														
Forbes	Panbula	1		1				2				2				1															
	Forbes	41	8	21	6		20	2	14	2		1	8	6	1	55	8	23	6												
	Parkes	12	1	8	1		4	10	5	1	1	4	3	5	1	42	15	40	14												
Glen Innes	Glen Innes	45	1	34	1	2		9	10		3		4		3	126	3	125	3												
	Goulburn	133	25	107	20	5	1	21	4	43	4	18	3	12	13	61	18	37	13												
	Collector	4		1		2		1																							
Grafton	Crookwell	4		3				1	8		1		5		2																
	Binda																														
	Grafton	9		4		5			19	4	7	1	5	3	7	119	1	111	1												
Grenfell	Lawrence	7	1	5				2	1	2		1				2															
	Maclean	6		4		1			5							10		8													
	Grenfell	22	4	18	4			4	16	5	3		9	5	4	19	1	12													
Gundagai	Morangarell	2		1		1																									
	Gundagai	49	3	33	3			16	16		9		6		1	40	6	34	6												
	Adelong								4				1		3		1	1	1												
Hartley	Cootamundra	23		17		4		2	13		3		6		4	18		13													
	Hartley	4	1	4	1			15	2	6	1	2		7	1	1		1													
	Rydal	3	1	2				1	1																						
Inverell	Lithgow							4		2		1		1																	
	Wallerawang	6	1	5				1	1	2	2	1		1																	
	Inverell	7		4		3			16		5		7		4	82	8	48	5												
Kiama	Ashford							1	1					1	1	2		1													
	Tingha	4	1	3		1			1	5		2		3		1		1													
	Kiama	9	1	3				6	1	6		3		2		11	1	4													
Liverpool	Liverpool	3		1				2	11	3	9	2	1	1	1	43	3	26													
	West Kempsey	20	1	16		1		3	1	5	1	1		3	1	13	1	12	1												
	Boat Harbour																														
Macleay River	Nambucca	2				2																									

POLICE DISTRICTS.	BENCHES.	Offences against the Person.								Offences against Property.								Drunkenness.								Degree of Instruction.						
		Taken into Custody.		Convicted.		Committed for Trial.		Discharged.		Taken into Custody.		Convicted.		Committed for Trial.		Discharged.		Taken into Custody.		Convicted.		Committed for Trial.		Discharged.		Can read and write.		Can read only.		Cannot read.		
		M.	F.	M.	F.	M.	F.	M.	F.	M.	F.	M.	F.	M.	F.	M.	F.	M.	F.	M.	F.	M.	F.	M.	F.	M.	F.	M.	F.	M.	F.	M.
Maitland ...	East Maitland ...	50	9	45	9	1	...	4	...	10	2	4	...	4	...	2	2	43	8	23	6	20	2	14	8	6	2	83	9	
	West Maitland ...	83	17	66	14	17	3	24	6	8	4	7	2	9	...	171	19	60	10	111	9	239	31	12	2	27	9	
	Morpeth ...	7	3	6	3	1	...	3	...	2	1	...	24	11	16	9	8	2	27	7	2	4	5	3	
Manning River ...	Cessnock	2	...	2	
	Wingham ...	6	...	3	3	...	4	4	1	1	10	1	
	Cundletown	2	...	2	1	...	1	3	
Metropolitan ...	Taree ...	3	...	2	1	2	...	2	1	
	Central Police Office ...	1768	1014	1339	805	44	20	385	189	636	286	334	147	133	42	169	97	4541	2534	3589	2272	952	262	6409	3278	58	39	478	517	
	Water Police Office ...	1536	380	1062	266	61	22	413	92	437	136	249	70	64	23	124	43	2183	757	2119	738	64	19	3682	971	78	39	396	263	
Mitchell ...	Mcintee ...	5	...	4	4	20	...	4	16	...	27	...	2	
	Wilcannia ...	9	1	6	1	1	...	2	...	33	...	8	...	13	...	12	...	198	...	190	8	...	201	1	11	...	28	...	
	Moama ...	9	...	6	3	...	22*	3	10	3	5	...	7	...	22	2	14	8	2	39	3	6	...	8	2	
Molong ...	Molong ...	41	...	30	...	2	...	9	...	16	...	6	...	2	...	8	...	73	1	48	25	1	108	...	1	...	21	1	
	Toogong	1	...	1	11	...	4	...	3	...	4	1	...	1	9	2	2	
	Obley ...	2	2	...	2	2	3	
Mudgee ...	Mudgee ...	41	14	31	10	10	4	44	5	18	4	23	1	3	...	37	14	33	13	4	1	105	22	...	2	17	9	
	Hargraves ...	2	...	2	5	1	2	1	3	...	10	...	6	4	...	11	6	1	
	Gulgong ...	27	5	13	4	4	1	10	...	21	8	8	2	3	1	10	5	14	10	6	7	8	3	43	13	4	3	15	7	
Murrurundi ...	Wollar ...	5	...	5	2	1	...	1	...	5	...	4	1	...	10	...	2	
	Murrurundi ...	19	3	13	1	6	2	10	1	2	1	5	...	3	...	4	...	1	3	...	24	3	6	1	3	...	
	Wallabadah ...	8	...	4	4	...	10	...	3	...	1	...	6	...	1	2	1	2	17	1	...	1	2	...	
Muswellbrook and Merton	Quirindi
	Muswellbrook ...	40	5	28	4	2	...	10	1	20	...	6	...	7	...	7	...	39	6	26	5	13	1	80	4	4	1	15	6	
	Narrabri ...	17	...	6	...	2	...	9	...	22	...	2	...	13	...	7	...	41	6	31	5	10	1	63	4	2	1	15	1	
Newcastle ...	Wee Waa ...	6	...	3	3	...	6	2	...	4	...	3	...	2	1	...	11	4	...	
	Pilliga ...	2	...	1	...	1	3	...	2	...	1	4	...	1	
	Newcastle ...	64	7	43	4	5	1	16	2	87	16	50	11	17	2	20	3	670	64	589	56	81	8	701	59	14	6	106	22	
Orange ...	Waratah ...	20	2	9	...	5	2	6	...	22	1	11	...	6	...	5	1	8	2	8	2	39	2	1	1	10	2	
	Orange ...	149	10	99	7	6	...	44	3	79	2	25	1	29	1	25	...	189	22	71	9	118	13	350	22	5	4	62	8	
	Oxley ...	36	4	26	3	3	...	7	1	18	6	9	1	2	1	7	4	358	48	253	32	105	16	340	46	53	8	19	4	
Parramatta ...	Booligal ...	7	...	6	1	...	17	...	6	...	3	...	8	...	37	...	24	13	...	39	...	14	
	Hillston ...	4	...	1	...	3	7	1	3	1	4	...	1	1	...	12	1	
	Mossgiel (from 14 Sept.)	1	1	4	...	4	4	...	1	
Paterson ...	Parramatta ...	14	2	9	2	3	...	2	...	40	6	24	1	8	5	8	...	275	34	127	14	148	20	261	26	37	8	31	8	
	Ryde ...	6	3	4	1	1	1	1	...	4	1	1	3	1	...	2	2	2	2	8	3	2	3	2	...	
	Paterson ...	9	...	3	...	1	...	5	...	4	1	2	...	2	1	1	1	1	10	1	3	1	1	...	
Patrick's Plains ...	Singleton ...	30	6	17	5	4	...	9	1	27	2	11	1	5	1	11	...	34	12	23	8	11	4	72	13	2	...	17	7	
	Penrith ...	10	1	8	1	2	...	31	5	27	5	31	2	10	1	21	1	54	5	5	1	13	2	
	Port Macquarie ...	8	1	5	1	2	...	1	...	3	...	1	16	...	9	7	...	16	1	5	...	6	...	
Port Stephens ...	Gladstone ...	3	...	3	3	...	3	2	4	...	
	Stroud ...	2	2	3	1	...	6
	Bullah Delah ...	4	...	2	...	1	...	1	...	1	8	...	8	12	1	...	
Queanbeyan ...	Forster	1
	Queanbeyan ...	22	3	12	2	2	...	8	1	17	...	3	...	12	...	2	...	12	...	10	2	...	40	2	1	1	10	...	
	Bungendore ...	3	...	2	...	1	7	...	2	...	1	...	4	...	11	...	4	7	...	10	...	3	...	8	...	
Queanbeyan ...	Gundaroo ...	2	...	1	1	...	1	1	...	1	2	2	...	
	Michelago	1	4	...	3	3	...	2	...

* Exclusive of one taken into custody and remanded to another Colony.

† Remanded to other Benches.

No. 50 (continued)—RETURN OF APPREHENSIONS BY THE POLICE, &c.—continued.

POLICE DISTRICTS.	BENCHES.	Offences against the Person.								Offences against Property.								Drunkenness.								Degree of Instruction.					
		Taken into Custody.		Convicted.		Committed for Trial.		Discharged.		Taken into Custody.		Convicted.		Committed for Trial.		Discharged.		Taken into Custody.		Convicted.		Committed for Trial.		Discharged.		Can read and write.		Can read only.		Cannot read.	
		M.	F.	M.	F.	M.	F.	M.	F.	M.	F.	M.	F.	M.	F.	M.	F.	M.	F.	M.	F.	M.	F.	M.	F.	M.	F.	M.	F.	M.	F.
Raymond Terrace	Raymond Terrace	12	2	5	2	7	...	3	...	2	1	...	19	1	7	12	1	27	2	7	1	
Richmond River	Casino	8	...	5	...	1	...	2	...	4	2	...	2	...	6	...	4	2	...	12	...	4	...	2	...	
	Ballina	7	...	5	...	1	...	1	...	1	...	1	11	...	7	4	...	13	...	2	...	4	...	
	Lismore	6	...	3	...	2	...	1	...	3	...	1	...	1	...	1	...	23	...	23	19	...	6	...	7	...	
	Woodburn	1	1	...	1	
	Drake	
Rylstone	Rylstone	11	...	9	2	...	15	...	3	...	5	...	7	...	17	1	15	1	...	2	...	26	...	4	...	13	1	
Scone	Scone	20	4	16	1	4	3	8	...	1	...	4	...	3	...	16	5	8	1	...	8	4	42	5	2	4	
Shoalhaven	Nowra	24	1	20	4	1	8	...	5	...	3	15	...	13	2	...	32	1	4	...	11	...	
	Broughton Creek	5	...	4	...	1	2	...	2	1	...	1	7	1	...	
Tamworth	Tamworth	81	11	42	8	4	...	35	3	103	3	25	1	32	1	46	1	74	5	50	2	...	24	3	161	6	22	2	75	11	
	Nundle	2	2	...	2	...	2	...	1	...	1	1	1	2	...	1	1	
	Gunnedah	29	1	21	1	1	...	7	...	39	2	20	1	10	...	9	1	22	1	19	1	...	3	...	69	4	2	...	19	...	
	Barraba	9	4	...	5	...	11	...	7	4	...	15	...	3	...	2	...	
	Boggabri	10	...	2	...	1	...	7	...	3	...	1	2	...	22	1	16	1	...	6	...	28	1	6	...	1	...	
Tenterfield	Tenterfield	25	2	6	2	19	...	12	...	5	...	4	...	3	...	67	4	36	2	...	31	2	75	4	6	...	23	2	
	Wilson's Downfall	4	4	...	4	
Tumut	Tumut	8	2	6	2	2	...	20	...	10	...	7	...	3	...	67	2	57	1	...	10	1	79	2	4	...	12	2	
Tweed River	Cudgen	
	Murwillumbah	
Vegetable Creek	Vegetable Creek	35	2	15	...	1	20	1	23	1	3	...	14	1	6	...	43	3	31	2	...	12	1	88	1	5	2	8	3		
Wagga Wagga	Wagga Wagga	87	21	50	6	1	36	14	52	8	20	...	19	4	13	4	98	26	45	20	...	53	6	197	20	17	22	23	13		
	Narrandera	15	1	9	1	6	...	9	...	2	...	2	...	5	...	12	1	10	1	...	2	...	26	2	3	...	7	...	
	Urana	4	1	3	...	1	1	6	...	1	...	4	...	1	...	21	1	14	1	...	7	...	18	1	3	...	10	1	
	Euabalong	
Walgett	Walgett	21	...	11	...	2	...	8	...	22	...	9	...	4	...	9	...	71	...	20	51	...	78	...	24	...	12	...	
	Goodooga	2	...	2	2	...	1	1	2	2	...	
Warialda	Warialda	2	...	2	6	1	6	1	87	1	86	1	...	1	...	56	1	30	1	9	...		
	Bingera	23	2	16	1	2	...	5	1	13	...	7	...	4	...	2	...	17	1	8	1	...	9	...	35	2	5	...	13	1	
	Moree	10	2	2	...	4	1	4	1	14	10	...	4	...	4	2	3	2	...	1	...	20	4	5	...	3	...	
	Yetman	3	...	1	2	...	5	5	7	1	...	
Wellington	Wellington	40	3	18	2	4	...	18	1	21	5	5	2	9	2	7	1	14	7	12	3	...	2	4	42	6	18	...	15	9	
	Stony Creek	5	...	2	...	1	...	2	...	4	1	...	3	...	4	1	4	1	9	4	1	
	Tambaroora	4	...	4	4	...	3	1	...	5	3	1	3	...	4	...	6	...	1	...	6	3	
	Hill End	16	1	15	1	1	...	17	4	11	2	2	1	4	1	13	7	5	3	...	8	4	29	3	1	3	16	6	
Wentworth	Wentworth	27	2	18	...	2	2	7	...	14	...	3	...	6	...	5	...	72	2	52	2	...	20	...	98	1	3	1	12	2	
	Euston	1	1	...	6	...	1	...	4	...	1	...	14	...	6	8	...	18	...	3	
	Pooncaira	1	1	...	1	1	3	...	1	2	...	4	...	1	
Windsor	Windsor	76	2	58	2	2	...	16	...	44	3	26	1	8	1	10	1	61	4	35	4	...	26	...	85	5	71	2	25	2	
	St. Albans	
Wollombi	Wollombi	1	1	4	1	...	3	...	4	4	...	6	3	...	
Wollongong	Wollongong	14	1	9	...	2	1	3	...	4	...	2	...	1	...	1	...	54	9	49	8	...	5	1	60	5	3	...	9	5	
Yass	Yass	7	...	6	...	1	15	2	3	...	9	1	3	1	75	10	48	8	...	27	2	86	7	11	5	
	Gunning	7	6	...	1	...	1	2	...	2	...	1	...	8	2	
Young	Young	73	7	62	6	1	...	10	1	16	2	8	...	7	1	1	103	16	85	14	...	18	2	16	1	145	13	31	11		
	Murrumburrah	2	...	1	1	...	10	...	5	...	3	...	2	...	26	1	14	12	1	32	6	1	
	GENERAL TOTAL	6035	1708	4237	1289	293	66	1505	353	3301	609	1415	301	900	113	986	195	12726	3970	9965	3514	2761	456	18303	4935	1026	243	2733	1109

PART III.

TRADE AND COMMERCE.

CONTENTS.

Number of Return.		Page.	
51	Total Value in Sterling of the Imports and Exports of the Colony, from and to each Country	66	
52	General Imports	67	
53	General Exports	99	
54	Decennial Return of the Total Value of Imports into the Colony, distinguishing the Countries from whence Imported	139	
55	Decennial Return of the Total Value of Exports from the Colony, distinguishing the Countries to which Exported	140	
56	Decennial Return of the Total Value of Articles Exported, the produce or manufacture of the Colony, &c.	141	
57	* Decennial Return of the Quantity and Value of (Exports the Produce of the Colony.)	Grain, &c., Imported (Seaward)	141
58		Grain, &c., Exported (Seaward)	142
59		Butter and Cheese Imported (Seaward)	142
60		Butter and Cheese Exported (Seaward)	142
61		Live Stock Imported	143
62		Live Stock Exported	143
63		Salt Meat Imported (Seaward)	144
64		Salt Meat Exported (Seaward)	144
65		Hides and Leather Imported (Seaward)	144
66		Hides and Leather Exported (Seaward)	145
67		Wool Exported	145
68		Tallow Exported	145
69		Timber Imported (Seaward)	146
70		Timber Exported (Seaward)	146
71	Coal Exported (Seaward)	147	
72	Gold and Coin Exported	147	
73	Return of the Total Quantity and Value of Gold Dust and Coin Exported, and the Countries to which the same have been sent	147	
74	Decennial Return of Ships and Vessels engaged in the Whale Fisheries, with the Tonnage of same, &c.	148	
75	Decennial Return of Fisheries, showing the number of Vessels employed, and the Quantity of Oil, &c., obtained, and its Value	148	
76	Shipping— Vessels Inwards, distinguishing Steam from Sailing Vessels, and the Countries from whence arrived	149	
77	" Nationality of	151	
78	" Ports at which entered	151	
79	" Decennial Return	151	
80	Vessels Outwards, distinguishing Steam from Sailing Vessels, and the Countries to which departed	152	
81	" Nationality of	154	
82	" Ports from which departed	154	
83	" Decennial Return	154	
84	Vessels Built and Registered—Description, with Number and Tonnage	155	
85	" Decennial Return	155	
86	Return of Stocks in Bonded Warehouses at the end of the year	155	
87	Revenue collected by the Customs during the year	156	

* The year 1877 includes the Overland trade.

IMPORTS AND EXPORTS.

No. 51.—RETURN showing the Total Value in Sterling of the IMPORTS and EXPORTS of the Colony from and to each Country, in the Year 1877.

Countries.	Imports from—	Exports to—	Excess of Imports.	Excess of Exports.
	£	£	£	£
United Kingdom (Seaward)	6,471,780	6,018,926	452,854
BRITISH COLONIES.				
Victoria { Seaward	1,171,278	1,028,184	143,094
{ Overland	1,360,171	2,869,945	1,509,774
	2,531,449	3,898,129	1,366,680
South Australia { Seaward	557,454	142,411	415,043
{ Overland	253,838	210,414	43,424
	811,292	352,825	458,467
Queensland { Seaward	2,218,334	1,435,707	782,627
{ Overland	11,623	62,421	50,798
	2,229,957	1,498,128	731,829
Tasmania Seaward	374,393	57,168	317,225
New Zealand	223,482	489,856	266,374
Western Australia	635	635
Point de Galle	282,325	282,325
Hong Kong	180,070	162,403	17,667
Mauritius	153,383	12,074	141,309
Madras	3,551	3,551
Ceylon	17,299	30,373	13,074
Calcutta	17,394	17,394
Bombay	7,888	7,888
Singapore	22,998	14,604	8,394
Fiji Islands	32,483	100,727	68,244
Torres Straits	2,980	2,980
Norfolk Island	2,372	1,014	1,358
Canada	39,460	39,460
Tuticorin	1,756	1,756
Laccpede Islands	39	39
Total { Seaward	5,278,320	3,505,784	1,772,536
{ Overland	1,625,632	3,142,780	1,517,148
Total British Colonies	6,903,952	6,648,564	255,388
FOREIGN STATES (Seaward).				
France	19,737	11,982	7,755
Belgium	28,213	28,213
Sweden	1,026	1,026
United States { San Francisco	481,565	107,748	373,292
{ Portland				
China	316,441	42,490	273,951
Java	145,185	22,907	122,278
New Caledonia	151,684	165,838	14,154
Formosa	55,002	55,002
South Sea Islands	23,305	48,059	24,754
Honolulu	4,097	10,324	6,227
Fisheries	2,550	2,550
New Guinea	187	187
Japan	685	12,459	11,774
Petropaulovski	5,736	5,736
Guam	465	465
Peru	15	15
Callao	1,119	1,119
Negapatan	3,277	3,277
Timor	1,099	1,099
Valparaiso	13,787	13,787
Manila	1,350	9,469	8,119
Brindisi	50	50
Bankok	747	747
Seagon (Cochin China)	61	61
Africa	7	7
Total Foreign States	1,230,862	458,329	772,533
Total { Seaward	12,980,962	9,983,039	2,997,923
{ Overland	1,625,632	3,142,780	1,517,148
GENERAL TOTAL	14,606,594	13,125,819	1,480,775

STATISTICS—1877.

67

IMPORTS.

No. 52.—GENERAL IMPORTS into the Colony, in the Year 1877.

Articles.	Countries whence Imported.	Importations.		Entered for Home Consumption.	Duty.		
		Quantities.	Value.		Gross amount received.	Rate, and when imposed.	
Acids	Great Britain	1,165 cases	£ 6,606		£ s. d.	34 Vic. No. 21.	
	Victoria	482 "	1,269				
	South Australia	119 "	211				
	Queensland	3 "	9				
		1,769 cases	8,185		Free.	
Aerated Waters	Great Britain	3,201 pkgs.	1,184				
	Victoria	1,767 "	1,545				
	South Australia	31 "	274				
			4,999 pkgs.	3,003		Free.
Antimony Ore	Queensland	117 tons	533				
	New Caledonia	1 "	10				
			118 tons	543		Free.
Agricultural Imple- ments	Great Britain	1,024 pkgs.	11,480				
	Victoria	2,263 "	16,388				
	South Australia	2 "	60				
	Queensland	16 "	90				
	Tasmania	169 "	1,859				
	Canada	20 "	99				
	United States	615 "	2,435				
			4,109 pkgs.	32,411		Free.
Alkali	Great Britain	3,665 tons	63,953				
	Victoria	20 "	289				
	South Australia	5 "	70				
			3,690 tons	64,312		Free.
Anchors	Great Britain	168 No.	378				
	Victoria	4 "	25				
	Queensland	11 "	22				
			183 No.	425		Free.
Anvils	Great Britain	104 No.	227				
	Victoria	55 "	483				
	South Australia	4 "	8				
			163 No.	718		Free.
Apothecaries' Ware	Great Britain	7,287 pkgs.	49,980				
	Victoria	529 "	3,040				
	Queensland	35 "	171				
	New Zealand	20 "	35				
	Fiji	1 "	2				
	Point de Galle	4 "	19				
	Hong Kong	13 "	89				
	France	5 "	20				
	United States	79 "	511				
			7,973 pkgs.	53,867		Free.
Apparel and Slops	Great Britain	7,738 pkgs.	325,226				
	Victoria	869 "	30,742				
	South Australia	17 "	75				
	Queensland	1,257 "	29,710				
	Tasmania	72 "	543				
	New Zealand	68 "	667				
	Point de Galle	281 "	8,027				
	Hong Kong	34 "	1,125				
	Mauritius	2 "	25				
	Singapore	11 "	235				
	Fiji	9 "	86				
	Canada	1 "	30				
	China	2 "	20				
	France	1 "	10				
	United States	45 "	1,251				
	South Sea Islands	4 "	264				
		10,411 pkgs.	398,036		Free.	

IMPORTS—*continued.*

Articles.	Countries whence Imported.	Importations.		Entered for Home Consumption.	Duty.					
		Quantities.	Value.		Gross Amount received.	Rate, and when imposed.				
Arms and Ammunition.	Guns ...	Great Britain ...	421 cases	£ 13,970	£ s. d.	34 Vic. No. 21.			
		Victoria ...	190 "	1,616						
		South Australia ...	8 "	226						
		Queensland ...	12 "	104						
		Point de Galle ...	5 "	356						
		Singapore ...	1 "	30						
		United States ...	5 "	197						
		South Sea Islands ...	2 "	31						
			644 cases	16,530				Free.		
	Powder (Blasting) ...	Great Britain ...	297,266 lbs.	29,439				415,825 lbs.	1,832 12 1	1d. per lb.
		Victoria ...	180,056 "	8,822						
		South Australia ...	92,005 "	3,932						
		Queensland ...	12,000 "	940						
			583,426 lbs.	43,218						
	Powder (Sporting) ...	Great Britain ...	40,791 lbs.	3,769				68,955 lbs.	861 18 8	3d. per lb.
		Victoria ...	10,621 "	1,629						
		South Australia ...	181 "	50						
			51,628 lbs.	5,458						
	Dynamite ...	Great Britain ...	22,000 lbs.	1,650				} Included in } blasting powder.	17 Mar., 1871. 1d. per lb.
		Victoria ...	1,900 "	175						
			23,900 lbs.	1,825						
	Lithofracteur ...	Great Britain ...	250 lbs.	1,406				Ditto.	17 Mar., 1871. 1d. per lb.
		Victoria ...	11,000 "	1,273						
			11,250 lbs.	2,679						
	Pyrolignoine ...	Victoria ...	9,000 lbs.	375				Ditto.
	Cartridges ...	Great Britain ...	1,065 cases	6,257				Free.
		Victoria ...	44 "	118						
		South Australia ...	10 "	62						
United States ...		18 "	200							
		1,137 cases	6,637							
Swords ...	Victoria ...	1 case	15	Free.				
	Point de Galle ...	1 "	52							
		2 cases	67							
Shot ...	Great Britain ...	2,851 cwt.	3,566	3,735 cwt.	933 14 0	17 Mar., 1871. 5s. per cwt.				
	Victoria ...	1,542 "	1,618							
	South Australia ...	26 "	83							
	Queensland ...	3 "	8							
	Tasmania ...	70 "	99							
	United States ...	7 "	15							
		4,499 cwt.	5,389							
Gun Caps ...	Great Britain ...	53 cases	1,130	Free.				
	Victoria ...	15 "	84							
	South Australia ...	1 "	20							
		69 cases	1,234							
Arrowroot ...	Great Britain ...	59 cwt.	138	Free.				
	Victoria ...	62 "	164							
	Queensland ...	1,268 "	2,609							
	Tasmania ...	12 "	33							
	Fiji ...	75 "	130							
	South Sea Islands ...	39 "	71							
	Honolulu ...	4 "	10							
		1,519 cwt.	3,155							
Bags and Sacks ...	Great Britain ...	704 bales	6,493	19,516 dozen	975 15 10	17 Mar., 1871. 1s. per dozen.				
	Victoria ...	17,063 "	3,418							
	South Australia ...	103 "	1,142							
	New Zealand ...	53 "	107							
		17,923 bales	11,220							
" Vacoa ...	Victoria ...	107 bales	10	Free.				
	Mauritius ...	1 "	4							
		108 bales	14							

STATISTICS—1877.

69

IMPORTS—*continued.*

Articles.	Countries whence Imported.	Importations.		Entered for Home Consumption.	Duty.		
		Quantities.	Value.		Gross Amount received.	Rate, and when imposed.	
Bags, Gunny	Great Britain	45 bales	622	4,425 dozen	£ 110 12 5	34 Vic. No. 21. 17 Mar., 1871. 6d. per dozen.	
	Victoria	57 "	397				
		102 bales	1,019				
Bark	Victoria	3,618 tons	7,024	Free.	
	South Australia	138 "	407				
	Tasmania	9,305 "	18,473				
		13,061 tons	25,904				
Bagging	Great Britain	72 bales	1,343	Free.	
	Victoria	67 "	753				
		139 bales	2,096				
Baskets	Great Britain	213 pkgs.	1,466	Free.	
	Victoria	222 "	263				
	South Australia	50 "	60				
	Queensland	6 "	46				
	Tasmania	3 "	8				
	China	8 "	19				
	Hong Kong	55 "	78				
		557 pkgs.	1,940				
Beche-de-mer	Queensland	5 tons	460	Free.	
	New Caledonia	225 "	2,080				
	Fiji	360 "	5,343				
	South Sea Islands	46 "	4,432				
		636 tons	12,315				
Bedding	Great Britain	13 bales	486	Free.	
	Victoria	919 "	2,754				
	United States	2 "	11				
		934 bales	3,251				
Beer.	In Wood...	Great Britain	805,828 gallons	656,367 gallons	16,409 3 6	9 Mar., 1871. 6d. per gallon.	
		Victoria	52,342 "				96,342
		Queensland	4,422 "				8,236
		South Australia	25,326 "				415
		Tasmania	3,303 "				3,695
	New Zealand	1,804 "	470				
			893,085 gallons	109,381			
	In Bottle...	Great Britain	465,487 gallons	100,581	513,506 gallons	19,256 10 1	9 Mar., 1871. 9d. per gallon.
		Victoria	62,681 "	15,145			
		Queensland	302 "	90			
South Australia		20,936 "	6,354				
New Zealand		136 "	26				
		549,542 gallons	122,196				
Bellows (Smiths')	Great Britain	38 No.	181	Free.	
	Victoria	87 "	289				
	South Australia	4 "	16				
		129 No.	486				
Biscuits	Great Britain	24,591 lbs.	882	482,767 lbs.	2,011 10 7	17 Mar., 1871. 1d. per lb.	
	Victoria	459,533 "	12,515				
	Queensland	354 "	12				
	South Australia	12,584 "	772				
	New Zealand	2,991 "	425				
	United States	19,344 "	231				
	South Sea Islands	31 "	2				
		519,428 lbs.	14,839				
Blacking	Great Britain	1,102 pkgs.	3,300	Free.	
	Victoria	340 "	352				
	Queensland	1 "	1				
	Tasmania	5 "	16				
	United States	339 "	1,026				
		1,787 pkgs.	4,695				

IMPORTS—continued.

Articles.	Countries whence Imported.	Importations.		Entered for Home Consumption.	Duty.		
		Quantities.	Value.		Gross Amount received.	Rate, and when imposed.	
Blankets and Counterpanes ...	Great Britain ...	1,907 bales	£ 52,178	£ s. d.	34 Vic. No. 21.	
	Victoria ...	263 "	4,078				
	South Australia ...	8 "	142				
	Point de Galle ...	1 "	23				
	Hong Kong ...	3 "	9				
	United States ...	3 "	32				
		2,185 bales	56,462			Free.	
Blue ...	Great Britain ...	157,021 lbs.	4,975	160,029 lbs.	666 15 9	17 Mar., 1871. 1d. per lb.	
	Victoria ...	27,166 "	968				
	Queensland ...	700 "	41				
		184,887 lbs.	5,984				
Boats ...	Great Britain ...	8 No.	252		Free.	
	Victoria ...	13 "	297				
	Tasmania ...	7 "	118				
	New Zealand ...	1 "	400				
	United States ...	4 "	60				
		33 No.	1,127				
Bran ...	Victoria ...	52,531 bushels	3,755		Free.	
	South Australia ...	25,231 "	1,271				
	Tasmania ...	21,829 "	1,594				
	New Zealand ...	157,679 "	9,999				
		257,270 bushels	16,619				
Brassware ...	Great Britain ...	563 pkgs.	9,183		Free.	
	Victoria ...	107 "	736				
	Singapore ...	1 "	7				
	United States ...	2 "	25				
	Fiji ...	1 "	50				
		674 pkgs.	10,001				
Bricks	Fire ...	Great Britain ...	287,664 No.		Free.	
		South Australia ...	4,000 "				20
		New Zealand ...	10,000 "				100
		France ...	12,425 "				62
			314,089 No.	1,776			
	Air ...	Great Britain ...	142 pkgs.	70		Free.
	Building	Victoria ...	99,800 No.	297		Free.
		Queensland ...	1,950 "	2			
			101,750 No.	299			
Bath ...	Great Britain ...	270 pkgs.	176		Free.	
	Victoria ...	17 "	15				
		287 pkgs.	191				
Brushware ...	Great Britain ...	628 pkgs.	16,774		Free.	
	Victoria ...	552 "	2,488				
	Queensland ...	5 "	24				
	Tasmania ...	23 "	168				
	Hong Kong ...	1 "	4				
	Canada ...	22 "	94				
	United States ...	872 "	3,175				
	Fiji ...	21 "	75				
			2,124 pkgs.				22,802
Butter ...	Great Britain ...	10 cwt.	83		Free.	
	Victoria ...	2,937 "	16,086				
	South Australia ...	19 "	152				
	Queensland ...	131 "	487				
	Tasmania ...	360 "	2,694				
	New Zealand ...	2,904 "	20,222				
	United States ...	4 "	25				
	New Caledonia ...	8 "	60				
		6,373 cwt.	39,809				
Candles ...	Great Britain ...	2,416,188 lbs.	88,565	2,816,307 lbs.	11,734 12 3	17 Mar., 1871. 1d. per lb.	
	Victoria ...	543,350 "	20,584				
	South Australia ...	148,887 "	1,561				
	Queensland ...	30,893 "	865				
	New Zealand ...	27,812 "	674				
	Hong Kong ...	27,047 "	690				
	United States ...	335 "	13				
		3,194,512 lbs.	112,952				

STATISTICS—1877.

71

IMPORTS—continued.

Articles.	Countries whence Imported.	Importations.		Entered for Home Consumption.	Duty.	
		Quantities.	Value.		Gross Amount received.	Rate, and when imposed.
Candlewick ...	Great Britain ...	21 bales.	£ 222		£ s. d.	34 Vic. No. 21.
	Victoria ...	31 "	290			
		52 bales	512			Free.
Canvas ...	Great Britain ...	872 bales	32,647			
	Victoria ...	336 "	3,022			
	South Australia ...	7 "	112			
	United States ...	2 "	102			
		1,217 bales	35,883			Free.
Carpeting and Rugs	Great Britain ...	650 bales	23,009			
	Victoria ...	229 "	2,749			
	Tasmania ...	6 "	79			
	United States ...	1 "	27			
		886 bales	25,864			Free.
Carriages ...	Great Britain ...	67 No.	6,629			
	Victoria ...	378 "	16,312			
	South Australia ...	11 "	570			
	Queensland ...	11 "	893			
	Tasmania ...	1 "	40			
	Canada ...	2 "	111			
	United States ...	508 "	6,839			
	New Caledonia ...	2 "	80			
		980 No.	31,474			Free.
Carriage Materials	Great Britain ...	7,258 pkgs.	33,382			
	Victoria ...	1,971 "	2,667			
	South Australia ...	159 "	565			
	Queensland ...	15 "	6			
	Canada ...	6 "	29			
	United States ...	510 "	3,937			
		9,919 pkgs.	39,686			Free.
Carts, Drays, and Waggons	Great Britain ...	263 No.	13,135			
	Victoria ...	168 "	4,443			
	South Australia ...	7 "	205			
	Queensland ...	4 "	64			
	Canada ...	1 "	70			
	United States ...	40 "	951			
		483 No.	18,868			Free.
Casks, empty	Great Britain ...	327 No.	95			
	Victoria ...	1,250 "	1,351			
	South Australia ...	5 "	1			
	Queensland ...	203 "	107			
	Tasmania ...	4 "	1			
	New Zealand ...	26 "	8			
	Fiji ...	10 "	7			
	New Caledonia ...	3 "	1			
		1,828 No.	1,571			Free.
Cement ...	Great Britain ...	41,432 barrels	31,051			
	Victoria ...	2,048 "	2,187			
	South Australia ...	71 "	68			
	Queensland ...	3 "	4			
	New Zealand ...	11 "	10			
		43,565 barrels	33,320	3,970 barrels	3 9 67 5 0	17 Mar., 1871. 2s. per barrel.
Chaff ...	Victoria ...	6,559 tons	33,051			
	South Australia ...	415 "	3,754			
	Tasmania ...	19 "	88			
		6,993 tons	36,893			Free.
Chain Cables	Great Britain ...	139 tons	1,947			
	Victoria ...	188 "	411			
	South Australia ...	6 "	100			
	New Zealand ...	5 "	50			
		338 tons	2,508			Free.
Cheese ...	Great Britain ...	177,699 lbs.	8,249			
	Victoria ...	167,283 "	6,830			
	South Australia ...	27,400 "	960			
	Queensland ...	21,882 "	665			
	Tasmania ...	51,450 "	2,516			
	New Zealand ...	265,526 "	10,299			
		711,240 lbs.	29,519	662,675 lbs.	5 5 22 5 10	17 Mar., 1871. 2d. per lb.

IMPORTS—continued.

Articles.	Countries whence Imported.	Importations.		Entered for Home Consumption.	Duty.		
		Quantities.	Value.		Gross amount received.	Rate, and when imposed.	
			£		£ s. d.	34 Vic. No. 21.	
Chicory ...	Great Britain ...	438,032 lbs.	5,018				
	Victoria ...	24,809 "	368				
	Queensland ...	3,360 "	75				
		466,201 lbs.	5,461	317,045 lbs.	3,963 1 3	9 Mar., 1871. 3d. per lb.	
Chocolate and Cocoa	Great Britain ...	248,397 lbs.	15,701				
	Victoria ...	33,719 "	1,932				
	South Australia ...	3,856 "	285				
	Queensland ...	65 "	5				
	United States ...	6,766 "	513				
		292,803 lbs.	18,436	263,093 lbs.	3,288 13 4	17 Mar., 1871. 3d. per lb.	
Cider ...	Tasmania ...	60 galls.	5			Free.	
Cocoa-nuts	Victoria ...	309 No.	15				
	South Australia ...	300 "	15				
	Fiji ...	128,461 "	957				
	South Sea Islands ...	27,700 "	198				
	New Caledonia ...	10,100 "	55				
	Java ...	1,000 "	30				
			167,870 No.	1,270			Free.
Coffee		Tons cwt. qrs. lbs.					
	Great Britain ...	14 19 3 21	1,762				
	Victoria ...	149 7 0 27	16,284				
	Queensland ...	2 16 0 8	307				
	South Australia ...	10 2 1 8	1,567				
	Ceylon ...	127 18 3 16	15,090				
	Singapore ...	8 6 3 20	1,158				
	United States ...	0 16 0 8	77				
	Java ...	0 2 3 27	17				
	Honolulu ...	0 0 3 16	5				
	New Caledonia ...	9 1 3 17	839				
			323 13 1 0	37,106	452,404 lbs.	5,655 1 1	9 March, 1871. 3d. per lb.
Coin.	Gold	Victoria ...	4 boxes	325			
		South Australia ...	2 "	2,000			
		Queensland ...	31 "	103,788			
		Point de Galle ...	1 "	178			
			38 boxes	106,291			Free.
	Silver	South Australia ...	3 boxes	250			
		New Zealand ...	1 "	3,816			
		Point de Galle ...	125 "	50,000			
		Fiji ...	4 "	234			
		New Caledonia ...	35 "	13,322			
		168 boxes	67,622			Free.	
Copper	Victoria ...	1 box	3				
	Queensland ...	250 boxes	1,465				
	Fiji ...	14 "	37				
		265 boxes	1,505			Free.	
Confections	Great Britain ...	222,360 lbs.	9,116				
	Victoria ...	157,022 "	6,415				
	Queensland ...	21,423 "	300				
	New Caledonia ...	20,547 "	258				
		421,352 lbs.	16,089	406,393 lbs.	2,539 19 2	17 March, 1871. 1½d. per lb.	
Copper Ore	Victoria ...	2 tons	25				
	South Australia ...	16,605 "	144,221				
	Queensland ...	3,655 "	9,727				
	New Caledonia ...	6,407 "	67,532				
		26,669 tons	221,505			Free.	
Copper	Great Britain ...	18 tons	602				
	Victoria ...	18 "	1,042				
	Queensland ...	1,646 "	114,389				
	New Zealand ...	16 "	58				
	New Caledonia ...	1 "	100				
	South Sea Islands ...	9 "	15				
		1,708 tons	116,206			Free.	

STATISTICS—1877.

IMPORTS—continued.

Articles.	Countries whence Imported.	Importations.		Entered for Home Consumption.	Duty.	
		Quantities.	Value.		Gross Amount received.	Rate, and when imposed.
Copperware	Great Britain	112 pkgs.	£ 1,612		£ s. d.	34 Vic. No. 21.
	Victoria	128 "	527			
	New Zealand	2 "	27			
	Fiji	1 "	22			
		243 pkgs.	2,188			Free.
Copra	Victoria	33 tons	392			
	New Zealand	10 "	150			
	Fiji	1,909 "	9,928			
	South Sea Islands	1,864 "	9,918			
	New Caledonia	2,092 "	18,978			
		5,908 tons	39,366			Free.
Corks and Bungs	Great Britain	1,311 bales	10,251			
	Victoria	223 "	1,070			
	South Australia	6 "	44			
	Queensland	7 "	75			
	Fiji	1 "	16			
	United States	1 "	30			
		1,549 bales	12,086			Free.
Cordage and Rope	Great Britain	11,542 cwt.	8,439	13,330 cwt.	1,333 * 1 2	17 Mar., 1871. 2s. per cwt.
	Victoria	1,081 "	5,749			
	South Australia	181 "	493			
	Queensland	8 "	19			
	New Zealand	92 "	209			
	Point de Galle	582 "	1,148			
	Ceylon	908 "	1,687			
	Fiji	19 "	35			
	United States	16 "	23			
	South Sea Islands	198 "	203			
	New Caledonia	16 "	8			
		14,643 cwt.	18,013			
Twine	Great Britain	2,491 cwt.	12,446			
	Victoria	330 "	2,199			
	New Zealand	20 "	10			
	United States	3 "	2			
		2,844 cwt.	14,657			
Cordials	Great Britain	2,049 pkgs.	1,663			
	Victoria	924 "	774			
	South Australia	1,001 "	1,084			
		3,974 pkgs.	3,521			Free.
Cottons	Great Britain	7,534 cases	269,735			
	Victoria	539 "	14,554			
	Queensland	23 "	542			
	Tasmania	1 "	5			
	Point de Galle	1 "	5			
	Hong Kong	4 "	15			
	Canada	1 "	43			
	United States	209 "	6,075			
	South Sea Islands	6 "	233			
	New Caledonia	1 "	60			
	Torres Straits	1 "	25			
		8,320 cases	291,892			Free.
Cotton (Raw)	Victoria	50 bales	837			
	Queensland	2 "	30			
	New Zealand	246 "	2,500			
	Hong Kong	3 "	10			
	Fiji	389 "	7,739			
	South Sea Islands	208 "	2,162			
	New Caledonia	223 "	435			
		1,121 bales	13,713			Free.
Cotton (Waste)	Great Britain	282 bales	2,582			
	Victoria	36 "	207			
	South Australia	1 "	3			
	Queensland	6 "	70			
	United States	1 "	10			
		326 bales	2,872			Free.

IMPORTS—continued.

Articles.	Countries whence Imported.	Importations.		Entered for Home Consumption.	Duty.	
		Quantities.	Value.		Gross Amount received.	Rate, and when imposed.
Curiosities...	Victoria ...	31 pkgs.	£ 126		£ s. d.	34 Vic. No. 21.
	Queensland ...	15 "	30			
	Tasmania ...	2 "	20			
	New Zealand ...	1 "	2			
	Hong Kong ...	39 "	279			
	Singapore ...	2 "	60			
	Fiji ...	55 "	433			
	China ...	19 "	47			
	Japan ...	51 "	300			
	South Sea Islands ...	4 "	13			
New Caledonia ...	12 "	22				
		231 pkgs.	1,332			Free.
Cutlery ...	Great Britain ...	605 cases	32,422			
	Victoria ...	236 "	4,246			
	South Australia ...	6 "	121			
	Queensland ...	8 "	143			
	New Zealand ...	1 "	17			
	Point-de-Galle ...	3 "	60			
	United States ...	20 "	193			
Torres Straits ...	1 "	30				
		880 cases	37,232			Free.
Doors and Sashes...	Victoria ...	13,816 No.	5,291			
	Queensland ...	1,652 "	423			
	New Zealand ...	2,128 "	607			
	United States ...	17,687 "	12,308			
	New Caledonia ...	63 "	31			
		35,346 No.	18,660	34,564 No.	1,728 4 0	17 Mar., 1871. 1s. each.
Drugs and Medicines ...	Great Britain ...	3,967 pkgs.	22,679			
	Victoria ...	1,983 "	10,647			
	Queensland ...	48 "	486			
	New Zealand ...	1 "	10			
	Point-de-Galle ...	3 "	21			
	Hong Kong ...	150 "	899			
	United States ...	163 "	1,518			
	France ...	1 "	4			
		6,316 pkgs.	36,264			Free.
Dyers' Materials ...	Great Britain ...	89 pkgs.	664			
	Victoria ...	43 "	193			
	Queensland ...	4 "	75			
	United States ...	13 "	40			
		149 pkgs.	972			Free.
Earthenware and China ...	Great Britain ...	5,418 pkgs.	49,587			
	Victoria ...	3,813 "	16,275			
	South Australia ...	38 "	550			
	Queensland ...	115 "	102			
	New Zealand ...	156 "	87			
	Point-de-Galle ...	2 "	50			
	Hong Kong ...	117 "	655			
New Caledonia ...	1 "	2				
		9,660 pkgs.	67,308			Free.
Eggs ...	Victoria ...	16 pkgs.	16			
	South Australia ...	5 "	21			
		21 pkgs.	37			Free.
Felt ...	Great Britain ...	194 bales	1,462			
	Victoria ...	86 "	139			
	South Australia ...	2 "	10			
	Fiji ...	144 "	320			
		426 bales	1,931			Free.
Fibre ...	Great Britain ...	50 bales	84			
	Victoria ...	194 "	98			
	Ceylon ...	4,335 "	310			
	Fiji ...	3,933 "	1,956			
		8,512 bales	2,428			Free.
Fireworks ...	Great Britain ...	41 pkgs.	631			
	China ...	1,344 "	1,523			
		1,385 pkgs.	2,154			Free.

STATISTICS—1877.

IMPORTS—continued.

Articles.	Countries whence Imported.	Importations.		Entered for Home Consumption.	Duty.					
		Quantities.	Value.		Gross Amount received.	Rate, and when imposed				
Fish—(Salt, Dried, and Preserved)...	Great Britain	1,389,867 lbs.	£ 63,832	2,983,703 lbs.	£ s. d. 12.432 1 11	34 Vic. No. 21				
	Victoria	328,752 "	14,156							
	South Australia	138,791 "	4,618							
	Queensland	105,000 "	2,455							
	Tasmania	94,645 "	2,382							
	New Zealand	103,083 "	2,557							
	Point de Galle	92,424 "	2,392							
	Hong Kong	43,056 "	1,717							
	Fiji	3,300 "	50							
	Canada	69,294 "	2,311							
	China	92,445 "	2,393							
United States	1,746,737 "	63,287								
		4,207,394 lbs.	161,970			17 Mar., 1871. 1d. per lb.				
Flax and Hemp	Great Britain	3 bales	47	Free.				
	Victoria	1 "	25							
	Queensland	141 "	534							
	Singapore	1,107 "	4,426							
	Manila	310 "	1,350							
		1,562 bales	6,382							
Flock	Great Britain	23 bales	210	Free.				
	Victoria	15 "	67							
		38 bales	277			Free.				
Flour	Great Britain	11 tons	189	Free.				
	Victoria	2,482 "	32,305							
	South Australia	15,911 "	261,918							
	Queensland	207 "	3,110							
	Tasmania	102 "	1,619							
	New Zealand	132 "	2,172							
	Fiji	7 "	100							
	New Caledonia	455 "	8,100							
United States	2,071 "	29,636								
		21,378 tons	339,149			Free.				
Floorecloth...	Great Britain	421 pkgs.	5,939	Free.				
	Victoria	133 "	1,504							
	South Australia	2 "	26							
	United States	15 "	140							
		571 pkgs.	7,609			Free.				
Fruits... Dried	Tons cwt. qrs. lbs.			5,208,314 lbs.	43,402 12 5	17 Mar., 1871. 2d. per lb.				
	Great Britain	1,887 13 3 12	65,649							
	Victoria	368 11 0 16	14,811							
	Queensland	3 11 1 10	271							
	South Australia	91 11 3 0	5,249							
	Hong Kong	0 9 1 18	20							
	Fiji	0 3 2 1	8							
	United States	287 1 1 10	12,421							
	New Caledonia	0 13 1 6	25							
		2,639 15 2 17	98,454							
	Dates	Tons cwt qrs. lbs.						231,733 lbs.	965 11 1	17 Mar., 1871. 1d. per lb.
		Great Britain	81 10 3 27				1,916			
		Victoria	14 11 1 24				921			
Queensland		0 13 2 2	41							
South Australia		1 2 3 7	44							
Hong Kong		4 14 0 8	256							
Singapore	4 3 2 27	130								
	106 16 2 11	3,308								
Bottled...	Great Britain	3,363 cases	3,256	10,132 doz.	614 7 8	17 Mar., 1871. { 2s. 3/4 doz. qrts. 1s. do. pints.				
	Victoria	522 "	429							
	Queensland	709 "	698							
	Tasmania	2 "	2							
	Hong Kong	45 "	37							
United States	426 "	394								
	5,067 cases	4,816								
Green	Great Britain	5 cases	7	Free.				
	Victoria	4,804 "	9,882							
	South Australia	971 "	1,005							
	Queensland	5,442 "	5,370							
	Tasmania	80,680 "	34,664							
	New Zealand	16 "	15							
	Fiji	1,153 "	569							
New Caledonia	212 "	193								
	93,283 cases	51,705								

IMPORTS—continued.

Articles.	Countries whence Imported.	Importations.		Entered for Home Consumption.	Duty.	
		Quantities.	Value.		Gross Amount received.	Rate, and when imposed.
Fungus	New Zealand...	11,497 pkgs.	£ 3,334			34 Vic. No. 21.
	Fiji ...	131 "	215			
	Norfolk Island ...	22 "	18			
	United States ...	2 "	98			
	Honolulu ...	54 "	392			
	South Sea Islands ...	724 "	1,393			
	New Caledonia ...	79 "	1,018			
		12,509 pkgs.	6,468			Free.
Furniture	Great Britain ...	3,857 pkgs.	66,200			
	Victoria ...	5,365 "	26,141			
	South Australia ...	184 "	1,930			
	Queensland ...	76 "	518			
	Tasmania ...	19 "	154			
	New Zealand... ..	12 "	192			
	Point de Galle ...	3 "	79			
	Hong Kong ...	261 "	974			
	Canada ...	67 "	697			
	United States ...	3,949 "	8,366			
South Sea Islands ...	4 "	84				
New Caledonia ...	4 "	100				
		13,801 pkgs.	105,435			Free.
Furs	Great Britain ...	17 pkgs.	513			
	Victoria ...	18 "	356			
	Tasmania ...	1 "	10			
		36 pkgs.	879			Free.
Fuze	Great Britain ...	229 casks	2,215			
	Victoria ...	11 "	71			
	South Australia ...	10 "	115			
	Queensland ...	5 "	50			
	New Zealand... ..	15 "	200			
		270 casks	2,651			Free.
Gasfittings	Great Britain ...	1,278 pkgs.	16,428			
	Victoria ...	296 "	833			
	Queensland ...	1 "	10			
	Point de Galle ...	1 "	10			
	United States ...	2 "	23			
	France ...	1 "	4			
		1,579 pkgs.	17,308			Free.
Looking	Great Britain ...	306 cases	5,734			
	Victoria ...	84 "	577			
	Queensland ...	4 "	40			Free.
Glass { Plate	Great Britain ...	215 cases	4,587			
	Victoria ...	41 "	527			
	United States ...	5 "	135			
		261 cases	5,249			Free.
Window	Great Britain ...	8,196 cases	13,518			
	Victoria ...	864 "	2,971			
	South Australia ...	34 "	161			
		9,094 cases	16,650			Free.
Glassware	Great Britain ...	9,449 pkgs.	47,507			
	Victoria ...	1,745 "	5,122			
	South Australia ...	84 "	599			
	Queensland ...	116 "	267			
	Tasmania ...	102 "	150			
	New Zealand... ..	2 "	31			
	Point de Galle ...	2 "	306			
	Hong Kong ...	1 "	20			
	Fiji ...	21 "	14			
	Canada ...	1 "	30			
	United States ...	39 "	301			
	New Caledonia ...	3 "	11			
		11,565 pkgs.	54,358			Free.
Glue	Great Britain ...	74 pkgs.	770			
	Victoria ...	36 "	577			
	United States ...	3 "	12			
		113 pkgs.	1,359			Free.

STATISTICS—1877.

77

IMPORTS—continued.

Articles.	Countries whence imported.	Importations.		Entered for Home Consumption.	Duty.	
		Quantities.	Value.		Gross Amount received.	Rate, and when imposed.
Gold Dust	Victoria ...	1,224 ozs.	£ 4,400	£ s. d.	34 Vic. No. 21.
	Queensland ...	300,103 "	1,042,805			
	New Zealand ...	12,796 "	49,921			
	New Caledonia ...	441 "	1,466			
		314,564 ozs.	1,098,592			Free.
Gold Leaf ...	Great Britain ...	16 cases	788		Free.
	Victoria ...	10 "	254			
		26 cases	1,042			Free.
Barley ...	Great Britain ...	34 bushels	6		Free.
	Victoria ...	3,544 "	532			
	South Australia ...	130 "	19			
	Tasmania ...	8,514 "	1,277			
	New Zealand ...	1,098 "	165			
	United States ...	7,520 "	1,128			
		20,840 bushels	3,127			Free.
Beans ...	Great Britain ...	25 pkgs.	78		Free.
	Tasmania ...	10 "	5			
	Fiji ...	36 "	72			
	United States ...	20 "	20			
	Hong Kong ...	13 "	6			
		104 pkgs.	181			Free.
Maize ...	Victoria ...	33,508 bushels	8,377		Free.
	South Australia ...	73 "	18			
	Queensland ...	15,646 "	3,911			
	Fiji ...	520 "	137			
		49,747 bushels	12,443			Free.
Maizena...	Great Britain ...	60,850 lbs.	1,265		Free.
	Victoria ...	30,560 "	1,106			
	South Australia ...	5,709 "	163			
	Queensland ...	30 "	1			
	United States ...	60,710 "	1,301			
		157,859 lbs.	3,836	118,709 lbs.	494 12 5	17 Mar., 1871. 1d. per lb.
Grain... Pease (Split & Dried.)	Great Britain ...	694 pkgs.	640		Free.
	Victoria ...	389 "	519			
	Tasmania ...	454 "	295			
	New Zealand ...	2 "	7			
	Canada ...	50 "	50			
		1,589 pkgs.	1,511			Free.
Pollard	Victoria ...	1,616 bushels	46		Free.
	South Australia ...	2,125 "	162			
	Tasmania ...	560 "	63			
	New Zealand ...	3,061 "	256			
		7,362 bushels	527			Free.
Oats	Victoria ...	198,038 bushels	39,987		Free.
	South Australia ...	9,546 "	2,241			
	New Zealand ...	7,413 "	1,572			
	Fiji ...	196 "	35			
		215,193 bushels	43,835			Free.
Wheat...	Victoria ...	50,610 bushels	9,765		Free.
	South Australia ...	495,382 "	154,284			
	Queensland ...	20 "	8			
	Tasmania ...	95,451 "	49,147			
	New Zealand ...	153,791 "	51,219			
	United States ...	28,272 "	6,795			
		823,526 bushels	271,218			Free.
Sharps ...	Tasmania ...	1 ton	6		Free.
	New Zealand ...	4 tons	42			
		5 tons	48			
Grease	Great Britain ...	9 tons	123		Free.
	Victoria ...	26 "	430			
	New Zealand ...	1 "	20			
	New Caledonia ...	1 "	2			
	United States ...	4 "	18			
		41 tons	593			Free.

IMPORTS—continued.

Articles.	Countries whence Imported.	Importations.		Entered for Home Consumption.	Duty.	
		Quantities.	Value.		Gross amount received.	Rate, and when imposed.
Grindery ...	Great Britain ...	905 pkgs.	£ 21,988		£ s. d.	34 Vic. No. 21.
	Victoria ...	242 "	2,758			
	Queensland ...	10 "	242			
	New Caledonia ...	1 "	1			
	United States ...	115 "	135			
		1,273 pkgs.	25,124			Free.
Guano ...	New Caledonia ...	13 tons	70			Free.
Gum ...	Great Britain ...	96 pkgs.	1,246			
	Victoria ...	62 "	731			
	Queensland ...	1 "	7			
	South Sea Islands ...	13 "	5			
	New Zealand ...	4 "	10			
		176 pkgs.	1,999			Free.
Haberdashery ...	Great Britain ...	4,208 cases	212,014			
	Victoria ...	852 "	32,872			
	Queensland ...	5 "	160			
	Point de Galle ...	177 "	16,632			
	Fiji ...	1 "	4			
	New Caledonia ...	1 "	27			
			5,244 cases			
Hardware ...	Great Britain ...	32,190 pkgs.	221,922			
	Victoria ...	15,197 "	61,043			
	South Australia ...	1,850 "	9,058			
	Queensland ...	239 "	1,007			
	Tasmania ...	3 "	24			
	New Zealand ...	24 "	213			
	Point de Galle ...	7 "	290			
	Hong Kong ...	15 "	112			
	United States ...	10,012 "	35,942			
	South Sea Islands ...	1 "	25			
	New Caledonia ...	8 "	61			
	Canada ...	167 "	845			
	China ...	11 "	150			
		59,724 pkgs.	330,692			Free.
Hats, Caps, and Bonnets...	Great Britain ...	2,624 cases	138,058			
	Victoria ...	788 "	17,096			
	Queensland ...	60 "	2,066			
	Tasmania ...	55 "	1,244			
	Point de Galle ...	13 "	607			
	Hong Kong ...	41 "	289			
	China ...	19 "	119			
	Fiji ...	1 "	13			
		3,601 cases	159,492			Free.
Hay ...	Victoria ...	187 tons	1,249			
	South Australia ...	290 "	2,129			
	Queensland ...	720 "	3,290			
	Tasmania ...	341 "	1,493			
		1,538 tons	8,161			Free.
Holloware...	Great Britain ...	3,175 pkgs.	11,554			
	Victoria ...	476 "	1,030			
	South Australia ...	11 "	146			
	Queensland ...	7 "	1			
		3,669 pkgs.	12,731			Free.
Hoofs and Bones ...	Queensland ...	2,079 cwt.	958			
	New Caledonia ...	33 "	31			
		2,112 cwt.	989			
Hops ...	Great Britain ...	245,220 lbs.	17,452			
	Victoria ...	92,637 "	6,697			
	South Australia ...	2,845 "	182			
	Queensland ...	109 "	9			
	Tasmania ...	89,308 "	6,430			
	New Zealand ...	6,936 "	403			
	United States ...	138,309 "	6,362			
		575,364 lbs.	37,535	484,246 lbs.	6,053 1 6	17 March, 1871. 3d. per lb.
Horns ...	Queensland ...	24,411 No.	460			
	New Caledonia ...	3,900 "	36			
		28,311 No.	496			

STATISTICS—1877.

79

IMPORTS—continued.

Articles.	Countries whence Imported.	Importations.		Entered for Home Consumption.	Duty.	
		Quantities.	Value.		Gross Amount received.	Rate, and when imposed.
Horse-hair	Great Britain	174 pkgs.	£ 3,532			34 Vic. No. 21.
	Victoria	163 "	795			
	South Australia	9 "	29			
	Queensland	22 "	77			
	Point de Galle	1 "	42			
	Fiji	1 "	10			
		370 pkgs.	4,485	Free.
Cow-hair	Queensland	29 pkgs.	110	Free.
Hosiery and Gloves	Great Britain	4,092 cases	196,966			
	Victoria	620 "	17,416 ¹			
	Queensland	89 "	1,920			
	Tasmania	3 "	33			
	New Zealand	1 "	3			
	Hong Kong	1 "	35			
	Singapore	1 "	200			
	Point de Galle	137 "	18,305			
		4,944 cases	234,878	Free.
India-rubber Goods	Great Britain	219 cases	6,711			
	Victoria	135 "	1,431			
	South Australia	1 "	4			
	Point de Galle	1 "	50			
	Singapore	1 "	16			
	United States	11 "	75			
		368 cases	8,287	Free.
Instruments (Musical).	Great Britain	2,449 cases	68,812			
	Victoria	799 "	37,620			
	South Australia	19 "	731			
	Queensland	6 "	174			
	New Zealand	23 "	1,104			
	Point de Galle	10 "	144			
	Hong Kong	1 "	60			
	Singapore	1 "	40			
	New Caledonia	1 "	50			
	Fiji	3 "	110			
	United States	147 "	2,580			
		3,459 cases	111,425	Free.
Optical	Great Britain	18 cases	893			
	Victoria	3 "	28			
	Point de Galle	6 "	288			
		27 cases	1,209	Free.
Instruments Scientific	Great Britain	479 cases	13,559			
	Victoria	114 "	1,336			
	South Australia	1 "	3			
	Queensland	12 "	592			
	Point de Galle	23 "	1,322			
	Canada	11 "	110			
	United States	4 "	191			
	Singapore	1 "	25			
		645 cases	17,138	Free.
Surgical	Great Britain	57 cases	2,396			
	Victoria	19 "	627			
	Queensland	2 "	43			
	New Zealand	1 "	11			
	Point de Galle	15 "	230			
	United States	18 "	473			
		112 cases	3,780	Free.
Iron and Steel	Great Britain	23,526 tons	245,676			
	Victoria	2,456 "	29,506			
	South Australia	50 "	506			
	Queensland	175 "	262			
	New Zealand	33 "	154			
	Tasmania	30 "	123			
	South Sea Islands	110 "	594			
	Fiji	40 "	14			
	New Caledonia	38 "	58			
	United States	702 "	800			
	Belgium	3,839 "	26,837			
		30,999 tons	304,530	Free.

IMPORTS—continued.

Articles.	Countries whence Imported.	Importations.		Entered for Home Consumption.	Duty.	
		Quantities.	Value.		Gross Amount received.	Rate, and when imposed.
Iron (Castings) ...	Great Britain ...	1,015 tons	£ 12,043	£ s. d.	34 Vic. No. 21.
	Victoria ...	654 "	6,845			
	South Australia ...	7 "	182			
	United States ...	2 "	16			
		1,678 tons	19,086			Free.
Galvanized Manu- factures ...	Great Britain ...	4,012 cwt.	14,015		
	Victoria ...	1,898 "	8,161			
	South Australia ...	226 "	675			
	Queensland ...	1,092 "	7,006			
	New Caledonia ...	1 "	1			
United States ...	1,079 "	6,003				
		8,308 cwt.	35,861	8,083 cwt.	1,212 10 3	17 Mar., 1871. 3s. per cwt.
Iron, Galvanized ...	Great Britain ...	6,210 tons	171,361		
	Victoria ...	1,465 "	56,184			
	South Australia ...	9 "	235			
	Queensland ...	41 "	154			
		7,725 tons	227,934	7,208 tons	14,417 6 1	17 Mar., 1871. 4os. per ton.
Iron Wire, Galva- nized ...	Great Britain ...	188 tons	5,348		
	Victoria ...	71 "	2,062			
		259 tons	7,410			
Iron, Old ...	Great Britain ...	670 tons	2,170		
	Victoria ...	7 "	27			
	South Australia ...	256 "	934			
	Queensland ...	209 "	555			
	Tasmania ...	5 "	20			
	New Zealand ...	238 "	1,327			
	Fiji ...	3 "	11			
	New Caledonia ...	1 "	10			
		1,389 tons	5,054			Free.
Iron { Iron Pipes... Tanks	Great Britain ...	1,793 tons	18,749		
	Victoria ...	707 "	2,597			
	South Australia ...	3 "	50			
	Queensland ...	21 "	405			
	United States... ..	53 "	800			
		2,577 tons	22,601			Free.
		257 No.	910			
		297 "	1,166			
		79 "	392			
		5 "	20			
		3 "	9			
		8 "	30			
		649 No.	2,527			Free.
Jams and Jellies ...	Great Britain ...	217,373 lbs.	10,416		
	Victoria ...	197,798 "	6,168			
	South Australia ...	211,134 "	6,345			
	Queensland ...	4,788 "	348			
	Tasmania ...	1,997,903 "	53,402			
	New Zealand ...	272 "	10			
	Point de Galle ...	888 "	59			
	South Sea Islands ...	20 "	1			
	United States ...	24,246 "	937			
			2,654,422 lbs.			
Jewellery ...	Great Britain ...	162 cases	16,420		
	Victoria ...	999 "	53,541			
	South Australia ...	1 "	100			
	Queensland ...	8 "	519			
	Tasmania ...	2 "	420			
	New Zealand ...	1 "	100			
	Point de Galle ...	273 "	84,491			
	Hong Kong ...	3 "	150			
	United States ...	17 "	2,276			
		1,466 cases	158,017			Free.
Lampware...	Great Britain ...	1,535 pkgs.	13,519		
	Victoria ...	261 "	2,122			
	Queensland ...	3 "	21			
	Point de Galle ...	2 "	30			
	United States ...	433 "	2,608			
		2,234 pkgs.	18,300			Free.

STATISTICS—1877.

81

IMPORTS—continued.

Articles.	Countries. whence Imported.	Importations.		Entered for Home Consumption.	Duty.		
		Quantities.	Value.		Gross Amount received.	Rate, and when imposed.	
			£			34 Vic. No. 21.	
Lead ...	Rolls ...	Great Britain ...	13,139 cwt.	22,348			
		Victoria ...	2,282 "	3,002			
		South Australia ...	4 "	9			
		Queensland ...	5 "	4			
		Ceylon ...	25 "	100			
		15,455 cwt.	25,463			Free.	
Lead ...	Piping ...	Great Britain ...	1,205 cwt.	1,638			
		Victoria ...	350 "	493			
		1,555 cwt.	2,131			Free.	
Leather	Chamois	Great Britain ...	6 pkgs.	316			Free.
	Unmanu- factured	Great Britain ...	805 pkgs.	29,334			
		Victoria ...	918 "	9,696			
		South Australia ...	36 "	642			
		Queensland ...	76 "	320			
		Tasmania ...	145 "	7,187			
		New Zealand ...	12 "	143			
		New Caledonia ...	24 "	148			
	United States ...	11 "	404				
			2,027 pkgs.	47,874			Free.
	Leather	Boots & Shoes	Great Britain ...	16,303 pkgs.	243,624		
			Victoria ...	4,097 "	61,977		
			South Australia ...	110 "	4,447		
			Queensland ...	128 "	1,505		
Tasmania ...			2 "	7			
New Zealand ...			23 "	268			
Point de Galle ...			11 "	92			
Hong Kong ...			19 "	226			
United States ...			39 "	584			
Canada ...			5 "	64			
South Sea Islands ...			1 "	25			
New Caledonia ...			5 "	23			
Singapore ...			1 "	5			
		20,744 pkgs.	312,847			Free.	
Lime-juice...		Great Britain ...	587 galls.	374			
		Victoria ...	2,446 "	494			
		South Australia ...	10 "	2			
		Queensland ...	9 "	6			
		New Zealand ...	11,581 "	295			
		Fiji ...	10 "	1			
South Sea Islands ...	7,965 "	946					
		22,608 galls.	2,118			Free.	
Linen and Drapery		Great Britain ...	14,814 pkgs.	627,987			
		Victoria ...	5,859 "	384,851			
		South Australia ...	533 "	29,624			
		Queensland ...	135 "	3,101			
		New Zealand ...	3 "	80			
		Tasmania ...	3 "	41			
		Point de Galle ...	121 "	8,065			
		Hong Kong ...	6 "	138			
		New Caledonia ...	3 "	17			
		Fiji ...	1 "	25			
		Singapore ...	55 "	112			
		United States ...	14 "	339			
		21,547 pkgs.	1,054,380			Free.	
Live Stock	Cattle ...	Victoria ...	3,383 No.	12,754			
		Queensland ...	180 "	2,665			
			3,563 No.	15,419			Free.
	Dogs ...	Great Britain ...	6 No.	540			
		Victoria ...	17 "	290			
		Queensland ...	1 "	20			
			24 No.	850			Free.
	Goats ...	Victoria ...	6 No.	126			
		South Australia ...	2 "	20			
		8 No.	146			Free.	

IMPORTS—continued.

Articles.	Countries whence Imported.	Importations.		Entered for Home Consumption.	Duty.					
		Quantities.	Value.		Gross Amount received.	Rate, and when imposed.				
Live Stock —contd.	Horses	Great Britain ...	31 No.	£ 1,100	£ s. d.	34 Vic. No. 21.			
		Victoria ...	1,466 "	22,926						
		Tasmania ...	2 "	45						
		Queensland ...	43 "	1,701						
		New Zealand ...	5 "	129						
		New Caledonia ...	1 "	70						
	United States ...	15 "	2,980							
			1,563 No.	28,951						Free.
	Mules	Victoria ...	1 No.	10						Free.
	Pigs ...	Great Britain ...	7 No.	32						
		Victoria ...	8 "	14						
		South Australia ...	2 "	2						
		Tasmania ...	10 "	20						
	New Zealand ...	1 "	12							
			28 No.	80						Free.
Poultry	Great Britain ...	2 coops	11							
	Victoria ...	139 "	296							
	Tasmania ...	3 "	10							
		144 coops	317			Free.				
Sheep..	Victoria ...	319,235 No.	154,087							
	South Australia ...	10,326 "	6,230							
	Queensland ...	6 "	100							
	Tasmania ...	436 "	2,022							
	New Zealand ...	50 "	50							
	Point de Galle ...	5 "	38							
	United States ...	4 "	100							
		330,062 No.	162,627			Free.				
Machinery...	Great Britain ...	13,885 pkgs.	201,047							
	Victoria ...	4,882 "	49,780							
	South Australia ...	281 "	2,725							
	Queensland ...	27 "	297							
	Tasmania ...	10 "	243							
	New Zealand ...	20 "	280							
	Fiji ...	2 "	172							
	South Sea Islands ...	1 "	49							
	Point de Galle ...	6 "	92							
	Canada ...	57 "	1,103							
	United States ...	570 "	9,228							
	New Caledonia ...	1 "	14							
	Belgium ...	830 "	1,067							
		20,572 pkgs.	266,097			Free.				
Machines	Sewing	Great Britain ...	772 cases	6,956						
		Victoria ...	2,006 "	18,264						
		Queensland ...	32 "	414						
		New Zealand ...	10 "	93						
		Canada ...	14 "	73						
	United States ...	870 "	10,952							
			3,704 cases	36,752			Free.			
	Weighing	Great Britain ...	415 pkgs.	2,563						
		Victoria ...	599 "	953						
		South Australia ...	1 "	4						
Queensland ...		3 "	17							
Point de Galle ...		10 "	60							
Canada ...	20 "	22								
United States ...	200 "	1,030								
		1,248 pkgs.	4,649			Free.				
Malt	Great Britain ...	198,192 bushels	85,138							
	Victoria ...	30,041 "	13,219							
	Queensland ...	57 "	20							
	South Australia ...	108 "	55							
	Tasmania ...	3,506 "	1,186							
	New Zealand ...	3,420 "	1,200							
		235,324 bushels	100,818	232,719½ bushels.	5,817 19 9	17 Mar., 1871. 6d. per bushel.				
Manganese	New Zealand	278 tons	1,390			Free.				

STATISTICS—1877.

83

IMPORTS—continued.

Articles.	Countries whence Imported.	Importations.		Entered for Home Consumption.	Duty.	
		Quantities.	Value.		Gross Amount received.	Rate, and when imposed.
Marble	Great Britain	707 pkgs.	£ 5,063		£ s. d.	34 Vic. No. 21.
	Victoria	144 "	1,217			
	South Australia	5 "	54			
		856 pkgs.	6,334		Free.
Matches	Great Britain	10,769 cases	36,240			
	Victoria	1,685 "	6,870			
	Queensland	59 "	266			
	South Sea Islands	2 "	15			
		12,515 cases	43,391		Free.
Mats and Matting... ..	Great Britain	827 bales	3,328			
	Victoria	249 "	837			
	South Australia	15 "	152			
	Queensland	11 "	118			
	China... ..	331 "	555			
	Hong Kong	1,765 "	2,059			
	Singapore	6 "	40			
	Mauritius	7 "	65			
	Java	1 "	17			
	Fiji	1 "	10			
	South Sea Islands	1 "	10			
United States	181 "	709				
		3,395 bales	7,900		Free.
Metal (Old)	Queensland	33 tons	321			
	New Zealand	5 "	70			
	South Sea Islands	71 "	359			
	New Caledonia	1 "	43			
		110 tons	793		Free.
Metal, Galvanized	Great Britain	38 tons	190		Free.
Military and Naval Stores	Great Britain	2,659 pkgs.	5,449			
	Point de Galle	1 "	10			
		2,660 pkgs.	5,459		Free.
Millinery	Great Britain	421 cases	25,509			
	Victoria	160 "	3,502			
	Queensland	6 "	247			
	Point de Galle	34 "	3,598			
		621 cases	32,856		Free.
Mustard	Great Britain	221,682 lbs.	11,396			
	Victoria	52,031 "	1,896			
	South Australia	16,005 "	500			
	Queensland	236 "	10			
	United States	12,051 "	400			
		302,005 lbs.	14,202	271,745 lbs.	1,132 5 5	17 Mar., 1871. 1d. per lb.
Naphtha	Great Britain	100 gallons	23			
	Victoria	40 "	14			
		140 gallons	37		Free.
Nails	Great Britain	27,454 cwt.	45,218			
	Victoria	13,220 "	6,264			
	South Australia	1,300 "	938			
	Queensland	124 "	254			
	Canada	38 "	88			
	United States	304 "	1,038			
		42,440 cwt.	53,800	1,926 tons	3,852 7 0	17 Mar., 1871. 40s. per ton.
Nickel Ore... ..	New Caledonia	643 tons	26,005		Free.
Nuts	Great Britain	179,223 lbs.	3,828			
	Victoria	12,208 "	448			
	South Australia	20,524 "	866			
	Queensland	490 "	24			
	Tasmania	354 "	14			
	Hong Kong	17,318 "	404			
	United States	10,509 "	315			
	Peru	2,502 "	15			
		249,128 lbs.	5,914	207,932 lbs.	866 7 8	17 Mar., 1871. 1d. per lb.

IMPORTS—continued.

Articles.	Countries whence Imported.	Importations.		Entered for Home Consumption.	Duty.	
		Quantities.	Value.		Gross Amount received.	Rate, and when imposed.
Oakum ...	Great Britain ...	2,069 bales	£ 1,746		£ s. d.	34 Vic. No. 21.
	Victoria ...	100 "	111			
	South Australia ...	15 "	25			
	Queensland ...	2 "	4			
		2,186 bales	1,886	Free.
Oars ...	Great Britain ...	200 No.	40			
	Victoria ...	8 "	12			
	South Australia ...	2 "	1			
	United States ...	2,055 "	892			
		2,265 No.	945	Free.
Oatmeal ...	Great Britain ...	340 cwt.	470			
	Victoria ...	4,384 "	5,518			
	South Australia ...	119 "	171			
	Queensland ...	1 "	2			
	Tasmania ...	5,339 "	6,411			
	New Zealand ...	3,498 "	4,017			
	United States ...	10 "	10			
		13,691 cwt.	16,599	Free.
Oatmeal (Patent Groats) ...	Great Britain ...	132 cwt.	321			
	Victoria ...	26 "	68			
	New Zealand ...	24 "	2			
		182 cwt.	391	Free.
Black ...	New Zealand ...	45 tons	1,750			
	New Caledonia ...	7 "	250			
	Norfolk Island ...	48 "	1,720			
	United States ...	20 "	680			
	Honolulu ...	22 "	730			
		142 tons	5,130	Free.
Castor ...	Great Britain ...	9,992 galls.	3,919			
	Victoria ...	109,610 "	24,900			
	South Australia ...	637 "	131			
	Queensland ...	5 "	2			
	New Zealand ...	4 "	2			
	Hong Kong ...	1,864 "	320			
	Singapore ...	175 "	30			
		122,287 galls.	29,304	110,692 galls.	2,767 5 11	17 Mar., 1871. 6d. Ⓟ gallon.
China ...	Victoria ...	2,711 galls.	563			
	South Australia ...	1,000 "	175			
	Queensland ...	2,980 "	525			
	Hong Kong ...	19,662 "	4,450			
	United States ...	408 "	90			
		26,761 galls.	5,803	Included in all other	17 Mar., 1871. 6d. Ⓟ gallon.
Cocoa-nut ...	Victoria ...	14 tons	500			
	Queensland ...	22 "	860			
	Fiji ...	29 "	1,362			
	South Sea Islands ...	11 "	300			
		76 tons	3,022	Free.
Colza ...	Great Britain ...	13,716 galls.	3,090			
	Victoria ...	3,537 "	898			
	United States ...	37 "	7			
		17,290 galls.	3,995	See all other	17 Mar., 1876. 6d. Ⓟ gallon.
Kerosene ...	Victoria ...	138,303 galls.	14,715			
	South Australia ...	15,808 "	1,388			
	Queensland ...	72 "	15			
	New Zealand ...	2,168 "	226			
	Tasmania ...	223 "	22			
	United States ...	308,370 "	29,350			
Oil ...		464,944 galls.	45,716	364,648 galls.	9,116 3 11	17 Mar., 1871. 6d. Ⓟ gallon.
	Great Britain ...	104,607 galls.	16,285			
Linseed ...	Victoria ...	15,560 "	3,016			
	South Australia ...	7,816 "	933			
	Queensland ...	5,639 "	750			
	New Zealand ...	5,661 "	756			
		139,283 galls.	21,742	104,106 galls.	2,602 13 3	17 Mar., 1871. 6d. Ⓟ gallon.

STATISTICS—1877.

85

IMPORTS—*continued.*

Articles.	Countries whence Imported.	Importations.		Entered for Home Consumption.	Duty.			
		Quantities.	Value.		Gross Amount received.	Rate, and when imposed.		
Oil— <i>contd.</i>	Olive ... {	Great Britain ...	5,832 galls.	£ 1,632	See all other	£ s. d.	34 Vic. No. 21.	
		Victoria ...	503 "	164				
		South Australia ...	2 "	1				
		Hong Kong ...	1,000 "	200				
			7,337 galls.	1,997				17 Mar., 1871. 6d. per gallon.
	Palm ... {	Great Britain ...	9,636 galls.	1,803		See all other		17 Mar., 1871. 6d. per gallon.
		Victoria ...	1,703 "	360				
			11,339 galls.	2,163				
	Salad ... {	Great Britain ...	21,163 galls.	11,889		See all other		17 Mar., 1871. 6d. per gallon.
		Victoria ...	1,785 "	799				
		South Australia ...	1,078 "	640				
		Queensland ...	4 "	3				
			4 "	3				
			24,034 galls.	13,334				
	Sperm ... {	New Zealand Fisheries ...	21 tuns	1,747				Free.
United States ...		30 "	2,250					
		1 "	31					
		52 tuns	4,028					
All other... {	Great Britain ...	37,426 galls.	9,041	141,190 gallons	3,529 14 9	17 Mar., 1871. 6d. per gallon.		
	Victoria ...	17,526 "	1,588					
	Queensland ...	11,807 "	1,065					
	New Zealand ...	11,550 "	950					
	Point de Galle ...	64 "	6					
	Hong Kong ...	25,775 "	8,304					
	Singapore ...	11,406 "	854					
	United States ...	19,728 "	1,620					
	New Caledonia ...	41 "	4					
			135,323 galls.				23,432	
Oilmen's Stores ... {	Great Britain ...	4,604 cases	15,004			Free.		
	Victoria ...	4,019 "	4,233					
	South Australia ...	177 "	623					
	Queensland ...	20 "	27					
	Hong Kong ...	10 "	7					
		500 "	961					
		9,330 cases	20,855					
Oil Cake ...	Victoria ...	14 casks	9			Free.		
Oil Cloth ... {	Great Britain ...	207 pkgs.	4,178			Free.		
	Victoria ...	91 "	566					
	South Australia ...	2 "	10					
	United States ...	446 "	148					
		746 pkgs.	4,902					
Onions ... {	Victoria ...	1,040 tons	9,348			Free.		
	South Australia ...	52 "	743					
	Tasmania ...	88 "	876					
	New Zealand ...	17 "	145					
		1,197 tons	11,112					
Opium ... {	Great Britain ...	105 lbs.	136	18,345 lbs.	9,172 11 2	17 Mar., 1871. 10s. per lb.		
	Victoria ...	3,124 "	7,846					
	Queensland ...	1,446 "	3,255					
	Hong Kong ...	17,370 "	40,747					
	China ...	381 "	800					
		22,426 lbs.	52,784					
Oysters (Fresh) ... {	Great Britain ...	400 bags	560			Free.		
	Victoria ...	293 "	370					
	Queensland ...	3,156 "	2,627					
	New Zealand ...	63 "	45					
	Hong Kong ...	110 "	110					
	United States ...	26 "	16					
		4,048 bags	3,728					

IMPORTS—continued.

Articles.	Countries whence Imported.	Importations.		Entered for Home Consumption.	Duty.	
		Quantities.	Value.		Gross Amount received.	Rate, and when imposed.
			£		£ s. d.	34 Vic. No. 21.
Paints	Great Britain	22,851 cwt.	35,625			
	Victoria	2,487 "	4,166			
	South Australia	870 "	1,521			
	Queensland	4 "	10			
	New Zealand	7 "	9			
	Point-de-Galle	1 "	98			
	China	6 "	62			
	Hong Kong	37 "	125			
	United States	386 "	1,559			
	South Sea Islands	11 "	21			
		26,660 cwt.	43,196	1,281 tons	2,562 16 7	17 Mar., 1871. 4os. per ton.
Painters' Materials	Great Britain	1,060 pkgs.	2,663			
	Victoria	89 "	224			
		1,149 pkgs.	2,887			Free.
Paperhangings	Great Britain	1,190 pkgs.	10,052			
	Victoria	208 "	1,565			
	South Australia	12 "	161			
	Queensland	13 "	130			
	Point-de-Galle	2 "	11			
	United States	39 "	673			
		1,464 pkgs.	12,592			Free.
Pearl Barley	Great Britain	440 cwt.	451			
	Victoria	51 "	54			
	New Zealand	60 "	65			
	Tasmania	40 "	40			
		591 cwt.	610			Free.
Pearl Shell	Victoria	1 ton	50			
	Queensland	1,162 tons	29,416			
	Fiji	5 "	193			
	South Sea Islands	7 "	625			
	Torres Straits	25 "	2,910			
		1,200 tons	33,194			Free.
Pepper and Spices	Great Britain	150,422 lbs.	2,454			
	Victoria	203,361 "	2,640			
	South Australia	6,404 "	263			
	Queensland	325 "	40			
	New Zealand	59 "	4			
	Point-de-Galle	3,465 "	350			
	Hong Kong	598 "	70			
	Singapore	174,308 "	2,475			
	Java	12,340 "	1,280			
	United States	745 "	84			
	New Caledonia	1,559 "	240			
		553,586 lbs.	9,900	272,762 lbs.	2,273 0 5	17 Mar., 1871. 2d. per lb.
Perfumery	Great Britain	21 cases	251			
	United States	1 "	7			
		22 cases	258			Free.
Phormium	New Zealand	3,417 bales	6,926			Free.
Photographic Materials	Great Britain	48 pkgs.	932			
	Victoria	68 "	1,274			
	New Zealand	2 "	6			
		118 pkgs.	2,212			Free.
Pickles and Sauces	Great Britain	27,882 cases	36,993			
	Victoria	5,874 "	4,030			
	South Australia	1,325 "	2,560			
	Queensland	131 "	63			
	New Zealand	85 "	109			
	Point-de-Galle	76 "	183			
	Hong Kong	1,858 "	1,120			
	Singapore	10 "	38			
	United States	23 "	13			
		New Caledonia	10 "	9		
		37,274 cases	45,118	122,760 doz.	2,648 1 10	17 Mar., 1871. 6d. and 1s. per doz.

STATISTICS—1877.

87

IMPORTS—*continued.*

Articles.	Countries whence Imported.	Importations.		Entered for Home Consumption.	Duty.	
		Quantities.	Value.		Gross Amount received.	Rate, and when imposed.
Pictures and Paintings	Great Britain	396 pkgs.	£ 8,867		£ s. d.	34 Vic. No. 21.
	Victoria	325 "	4,646			
	South Australia	11 "	83			
	Queensland	16 "	268			
	New Zealand	25 "	193			
	Tasmania	1 "	25			
	Point de Galle	11 "	148			
	China	7 "	139			
	Hong Kong	53 "	1,076			
	United States	82 "	4,537			
		927 pkgs.	19,982		Free.
Pipes (Tobacco)	Great Britain	4,559 pkgs.	16,848			
	Victoria	597 "	3,797			
	South Australia	138 "	119			
	Queensland	66 "	105			
	New Zealand	1 "	1			
	Point de Galle	36 "	5,161			
Hong Kong	2 "	6				
		5,309 pkgs.	26,037		Free.
Pitch, Tar, and Resin	Great Britain	951 barrels	867			
	Victoria	1,222 "	1,321			
	South Australia	257 "	241			
	New Zealand	171 "	290			
	United States	3,053 "	3,550			
		5,654 barrels	6,269		Free.
Plants and Seeds	Great Britain	849 pkgs.	7,484			
	Victoria	2,682 "	6,397			
	South Australia	1,257 "	1,923			
	Queensland	181 "	658			
	Tasmania	1,722 "	2,531			
	New Zealand	293 "	652			
	Fiji	325 "	347			
	South Sea Islands	524 "	503			
	Point de Galle	85 "	478			
	China	1 "	1			
	Hong Kong	130 "	163			
	Singapore	3 "	19			
	New Caledonia	20 "	69			
	Norfolk Island	3 "	3			
	Java	2 "	8			
United States	41 "	247				
		8,118 pkgs.	21,483		Free.
Plate (Silver)	Great Britain	62 cases	2,882			
	Victoria	7 "	284			
	New Zealand	1 "	60			
	Point de Galle	12 "	1,739			
		82 cases	4,965		Free.
Plated Ware	Great Britain	419 cases	20,568			
	Victoria	145 "	3,109			
	South Australia	2 "	20			
	Queensland	8 "	406			
	New Zealand	1 "	18			
	Point de Galle	8 "	423			
	United States	35 "	727			
		618 cases	25,271		Free.
Potatoes	Victoria	25,956 tons	104,029			
	South Australia	666 "	5,159			
	Queensland	203 "	341			
	Tasmania	9,465 "	22,036			
	New Zealand	5,610 "	10,264			
		41,900 tons	141,829		Free.
Preserves	Great Britain	135,130 lbs.	13,870			
	Victoria	40,429 "	2,657			
	South Australia	4,329 "	153			
	Queensland	8,016 "	363			
	Tasmania	404 "	18			
	New Zealand	2,980 "	147			
	Point de Galle	9,610 "	6,175			
	Hong Kong	11,390 "	1,917			
	United States	144,642 "	3,880			
	China	391,190 "	6,163			
		658,120 lbs.	35,343	563,570 lbs.	2,348 4 2	17 March, 1871. id. per lb.

IMPORTS—continued.

Articles.	Countries whence Imported.	Importations.		Entered for Home Consumption.	Duty.		
		Quantities.	Value.		Gross Amount received.	Rate, and when imposed	
Printing Materials	Great Britain	2,079 pkgs.	£ 25,734		£ s. d.	34 Vic. No. 21.	
	Victoria	594 "	6,199				
	Queensland	20 "	116				
	Tasmania	1 "	2				
	New Caledonia	2 "	2				
	France	1 "	9				
	Point de Galle	1 "	5				
	United States	57 "	1,736				
			2,755 pkgs.				33,803
	Bacon	Great Britain	421 cwt.				1,685
Victoria		826 "	4,135				
South Australia		82 "	323				
Queensland		9 "	22				
Tasmania		2 "	11				
New Zealand		294 "	1,317				
United States		300 "	1,768				
		1,934 cwt.	9,261				
Hams	Great Britain	1,100 cwt.	7,090				
	Victoria	438 "	1,236				
	South Australia	5 "	27				
	Queensland	2 "	10				
	Tasmania	24 "	97				
	New Zealand	218 "	1,086				
	Point de Galle	1 "	7				
United States	750 "	3,633					
		2,538 cwt.	13,186				
Beef...	Great Britain	55 cwt.	98				
	Victoria	48 "	88				
	South Australia	19 "	50				
	Queensland	48 "	100				
	New Zealand	105 "	180				
United States	150 "	329					
		425 cwt.	845			Free.	
Chinese	Victoria	52 pkgs.	55				
	Hong Kong	571 "	661				
		623 pkgs.	716			Free.	
Pork	Great Britain	435 cwt.	1,167				
	Victoria	8 "	20				
	Queensland	9 "	20				
	New Zealand	149 "	371				
	United States	171 "	397				
		772 cwt.	1,975			Free.	
Preserved	Great Britain	4,168 pkgs.	6,339				
	Victoria	494 "	1,417				
	South Australia	185 "	733				
	Queensland	72 "	113				
	Point de Galle	134 "	214				
	Hong Kong	10 "	5				
	United States	1,155 "	2,466				
		6,218 pkgs.	11,287			Free.	
Preserved Meats	Great Britain	436 cases	1,707				
	Victoria	1,479 "	3,534				
	South Australia	150 "	543				
	Queensland	19,408 "	37,018				
	New Zealand	39 "	123				
	United States	518 "	825				
		22,030 cases	43,750			Free.	
Vegetables (Preserved).	Great Britain	696 pkgs.	1,540				
	Victoria	144 "	146				
	South Australia	201 "	441				
	New Zealand	26 "	68				
	Hong Kong	721 "	659				
	United States	465 "	500				
		2,253 pkgs.	3,354			Free.	

STATISTICS—1877.

89

IMPORTS—continued.

Articles.	Countries whence Imported.	Importations.		Entered for Home Consumption.	Duty.	
		Quantities.	Value.		Gross Amount received.	Rate, and when imposed.
Provisions— contd. {	Vegetables (Green)	Victoria ...	2,135 pkgs.	£ 2,649	£ s. d. 34 Vic. No. 21
		Queensland ...	127 "	97		
		New Zealand ...	20 "	5		
		Tasmania ...	1,212 "	560		
		Fiji ...	1 "	1		
		Hong Kong ...	19 "	22		
		3,514 pkgs.	3,334		Free.	
Pulu ...	Victoria ...	62 bales	130	
	United States ...	89 "	285			
	Honolulu ...	1,357 "	2,960			
		1,508 bales	3,375		Free.	
Quicksilver ...	Victoria ...	5 bottles	40	
	United States ...	1,092 "	10,003			
		1,097 bottles	10,043			
Rattans and Canes..	Victoria ...	573 bundles	270	
	Queensland ...	118 "	35			
	Singapore ...	3,054 "	650			
	Hong Kong ...	73 "	84			
	China... ..	72 "	74			
		3,890 bundles	1,113		Free.	
Rice ...		Tons cwt. qrs. lbs.		
	Great Britain ...	78 5 2 0	1,157			
	Victoria ...	1,619 3 2 26	31,479			
	South Australia ...	49 4 3 0	968			
	Queensland ...	83 4 2 4	2,119			
	New Zealand ...	14 15 0 10	331			
	Hong Kong ...	1,325 13 2 24	26,770			
	Singapore ...	148 15 0 7	2,322			
	United States ...	1 9 3 26	30			
	Java ...	197 15 0 0	3,500			
	New Caledonia ...	36 11 0 2	414			
	Japan... ..	20 10 1 24	375			
	3,575 8 3 11	69,465	Tons cwt. qrs. lbs. 3,246 3 0 0	9,738 9 5	17 Mar., 1871. £3 per ton.	
Saddlery and Harness	Great Britain ...	1,509 pkgs.	46,462	
	Victoria ...	643 "	16,250			
	South Australia ...	109 "	2,747			
	Queensland ...	77 "	1,379			
	Tasmania ...	4 "	93			
	New Zealand ...	2 "	7			
	Point de Galle ...	3 "	96			
United States ...	80 "	2,113				
	2,427 pkgs.	69,147		Free.		
Sago ...	Great Britain ...	24,359 lbs.	284	
	Victoria ...	104,642 "	1,225			
	South Australia ...	13,431 "	184			
	Queensland ...	11,904 "	164			
	New Zealand ...	114 "	6			
	New Caledonia ...	1,824 "	22			
	Hong Kong ...	12,004 "	195			
Singapore ...	59,235 "	689				
	227,513 lbs.	2,769	209,539 lbs.	873 1 7	17 Mar., 1871. 1d. per lb.	
Salt and Saltpetre...	Great Britain ...	14,522 tons	31,141	
	Victoria ...	1,453 "	2,920			
	South Australia ...	105 "	715			
	Queensland ...	31 "	121			
	New Zealand... ..	7 "	46			
United States ...	6 "	32	15,291 tons.	15,291 14 5	17 Mar., 1871. 20s. per ton.	
	16,124 tons	34,975				
Salt (Rock)	Great Britain ...	2,444 tons	5,009	
	Victoria ...	15 "	26			
	2,459 tons	5,035				
Sarsaparilla	Great Britain ...	276 galls.	283	
	Victoria ...	632 "	668			
	South Australia ...	481 "	546			
	Queensland ...	293 "	246			
	United States ...	7,598 "	5,570			
	9,280 galls.	7,313	6,792 galls.	1,358 8 5	37 Vic. No. 5. 1 Jan., 1874. 4s. per gallon.	

IMPORTS—*continued.*

Articles.	Countries whence imported.	Importations.		Entered for Home Consumption.	Duty.	
		Quantities.	Value.		Gross Amount received.	Rate, and when imposed.
Ship Chandlery ...	Great Britain ...	1,288 pkgs.	£ 3,362		£ s. d.	34 Vic. No. 21.
	Victoria ...	13 "	113			
	New Zealand ...	2 "	20			
	New Caledonia ...	2 "	33			
	United States ...	4 "	57			
		1,309 pkgs.	3,585	Free.
Shooks and Staves...	Great Britain ...	2,834 No.	435			
	Victoria ...	6,220 "	193			
	Tasmania ...	52,833 "	436			
	United States ...	7,400 "	140			
	New Caledonia ...	28,685 "	394			
		97,972 No.	1,598	Free.
Silks ...	Great Britain ...	403 cases	64,545			
	Victoria ...	93 "	14,810			
	Queensland ...	13 "	730			
	Tasmania ...	1 "	30			
	Point de Galle ...	160 "	30,177			
	Singapore ...	6 "	188			
	Hong Kong ...	108 "	7,139			
	China... ..	8 "	278			
	Java	1 "	12			
		793 cases	117,909	Free.
(Calf) ...	Queensland ...	24 bundles	46	Free.
Horned Cattle	Victoria ...	38 No.	38			
	South Australia ...	39 "	39			
	Queensland ...	68,063 "	68,063			
	Tasmania ...	5 "	5			
	New Zealand... ..	212 "	212			
	Fiji	182 "	182			
	South Sea Islands ...	32 "	32			
	Norfolk Island ...	147 "	147			
	New Caledonia ...	3,362 "	3,362			
		72,080 No.	72,080	Free.
Horse ...	Queensland ...	516 No.	231	Free.
Kangaroo ...	Queensland ...	91 pkgs.	199			
	Tasmania ...	61 "	999			
		152 pkgs.	1,198	Free.
Sheep ...	Victoria ...	67 bundles	701			
	South Australia ...	103 "	1,078			
	Queensland ...	3,188 "	34,259			
	Tasmania ...	5 "	126			
	Fiji	9 "	59			
	New Caledonia ...	58 "	481			
	United States ...	57 "	215			
	South Sea Islands ...	5 "	15			
		3,492 bundles	36,934	Free.
Unmanu- factured ...	Great Britain ...	1,435,042 No.	11,163			
	Victoria ...	59,211 "	875			
	South Australia ...	196,300 "	2,624			
	Canada	24,615 "	364			
	United States ...	783,997 "	12,203			
		2,499,165 No.	27,229	Free.
Manufactured	Great Britain ...	70,916 No.	1,248			
	Tasmania ...	308 "	725			
	Canada	25 "	50			
	United States ...	17 "	49			
		71,266 No.	2,072	Free.
Slabs ...	Great Britain ...	112 No.	223			
	South Australia ...	168 "	175			
		280 No.	398	Free.
Soap { Common ...	Great Britain ...	33 cwt.	99			
	Victoria ...	5,236 "	6,835			
	South Australia ...	1,328 "	1,773			
	Queensland ...	1 "	1			
	New Zealand ...	406 "	1,457			
		7,004 cwt.	10,165	Free.

STATISTICS—1877.

91

IMPORTS—continued.

Articles.	Countries whence Imported.	Importations.		Entered for Home Consumption.	Duty.				
		Quantities.	Value.		Gross Amount received.	Rate, and when imposed.			
Soap— <i>contd.</i> { Fancy ...	Great Britain ...	883 cwt.	£ 3,977	£ s. d.	34 Vic. No. 21.			
	Victoria ...	19 "	77						
	Queensland ...	29 "	87						
		931 cwt.	4,141			Free.			
Soda—Crystals ...	Great Britain ...	1,002 tons	7,762	1,236 tons.	1,236 11 3	17 March, 1871. 2os. per ton.			
	Victoria ...	247 "	411						
	South Australia ...	6 "	71						
	Queensland ...	2 "	22						
	New Zealand ...	34 "	33						
		1,291 tons.	8,299						
Specimens of Natural History	Great Britain ...	5 pkgs.	45	Free.			
	Victoria ...	8 "	63						
	Queensland ...	38 "	151						
	Tasmania ...	3 "	12						
	New Zealand ...	8 "	117						
	Point de Galle ...	3 "	43						
	Mauritius ...	4 "	80						
	Fiji ...	3 "	18						
	New Caledonia ...	1 "	2						
	Java ...	3 "	10						
United States ...	4 "	35							
		80 pkgs.	576						
Brandy...	Great Britain ...	454,490 galls.	232,690	407,562 galls.	203,781 3 7	9 March, 1871. 1os. 7/8 proof gall			
	Victoria ...	65,303 "	33,605						
	South Australia ...	11,233 "	11,830						
	Queensland ...	1,020 "	851						
	Tasmania ...	42 "	30						
	New Zealand ...	558 "	242						
	Fiji ...	104 "	36						
	France ...	41,499 "	18,718						
	United States ...	4,691 "	1,515						
	New Caledonia ...	176 "	105						
			579,116 galls.				299,622		
Rum ...	Great Britain ...	237,906 galls.	48,617	307,423 galls.	153,711 11 0	9 March, 1871. 1os. 7/8 proof gall			
	Victoria ...	8,707 "	2,305						
	South Australia ...	2,634 "	2,017						
	Queensland ...	68,727 "	8,654						
	New Zealand ...	36 "	17						
United States ...	100 "	144							
		318,110 galls.	61,754						
Geneva	Great Britain ...	287,715 galls.	60,560	157,512 galls.	78,756 4 0	9 March, 1871. 1os. 7/8 proof gall			
	Victoria ...	8,536 "	2,563						
	South Australia ...	3,250 "	2,442						
	Queensland ...	428 "	362						
United States ...	1,931 "	759							
		301,860 galls.	66,686						
Gin ...	Great Britain ...	11,958 galls.	4,371	10,519 galls.	5,259 10 1	9 March, 1871. 1os. 7/8 proof gall			
	Victoria ...	1,329 "	576						
	South Australia ...	322 "	245						
	Singapore ...	93 "	18						
		13,702 galls.	5,210						
Whiskey	Great Britain ...	98,015 galls.	37,796	88,840 galls.	44,420 6 7	9 March, 1871. 1os. 7/8 proof gall			
	Victoria ...	21,730 "	8,487						
	South Australia ...	2,288 "	1,750						
	Queensland ...	141 "	117						
	New Zealand ...	314 "	88						
	United States ...	84 "	38						
		122,572 galls.	48,276						
Liqueurs	Great Britain ...	2,519 galls.	1,579	4,541 galls.	2,270 13 4	9 March, 1871. 1os. 7/8 liquid gal			
	Victoria ...	1,083 "	1,207						
	South Australia ...	1,822 "	1,679						
	Queensland ...	108 "	30						
	Tasmania ...	2 "	2						
	Hong Kong ...	1,146 "	329						
	France ...	12 "	10						
United States ...	671 "	780							
		7,363 galls.	5,616						

IMPORTS—*continued.*

Articles.	Countries whence Imported.	Importations.		Entered for Home Consumption.	Duty.				
		Quantities.	Value.		Gross Amount received.	Rate, and when imposed.			
Spirits— <i>continued.</i>	Perfumed ...	Great Britain ...	865 galls.	£ 2,418	3,708 galls.	£ 1,854	s. 9	d. 3	34 Vic. No. 21. 9 Mar., 1871. 10s. per liquid gallon.
		Victoria ...	426 "	1,355					
		South Australia ...	26 "	54					
	Methylated ...	Queensland ...	18 "	44	8,041 galls.	804	2	5	9 Mar., 1871. 2s. per gallon.
		United States ...	2,002 "	2,449					
			3,337 galls.	6,320					
	All other ...	Great Britain ...	81 galls.	43	32,678 galls.	16,349	2	6	9 Mar., 1871. 10s. per gallon.
		Victoria ...	795 "	317					
			876 galls.	360					
	Starch ...	Great Britain ...	23,338 galls.	4,107	1,026,826 lbs.	4,278	8	10	17 Mar., 1871. 1d. per lb.
Victoria ...		4,388 "	3,805						
South Australia ...		103 "	83						
Paper, printing ...	Queensland ...	164 "	102	357,485 lbs.	1,489	10	5	17 Mar., 1871. 1d. per lb.	
	New Zealand ...	90 "	345						
	United States ...	110 "	301						
Paper, brown and wrapping ...		28,193 galls.	8,743	10,657 cwt.	1,776	5	1	3s. 4d. per cwt.	
	Great Britain ...	993,062 lbs.	4,207						
	Victoria ...	45,601 "	3,925						
Paper, writing and fancy ...	South Australia ...	20,133 "	554	357,485 lbs.	1,489	10	5	17 Mar., 1871. 1d. per lb.	
	Queensland ...	271 "	8						
	New Zealand ...	23 "	1						
Books ...	United States ...	25,974 "	750	357,485 lbs.	1,489	10	5	17 Mar., 1871. 1d. per lb.	
		1,085,064 lbs.	9,445						
		3,670 bales	46,288						
Maps ...	Victoria ...	212 "	2,630	357,485 lbs.	1,489	10	5	17 Mar., 1871. 1d. per lb.	
	South Australia ...	5 "	66						
	Queensland ...	1 "	37						
Stationery ...	Great Britain ...	3,888 bales	49,021	357,485 lbs.	1,489	10	5	17 Mar., 1871. 1d. per lb.	
	Victoria ...	10,253 cwt.	32,967						
	South Australia ...	1,510 "	4,686						
Books ...	Queensland ...	44 "	91	357,485 lbs.	1,489	10	5	17 Mar., 1871. 1d. per lb.	
	Point de Galle ...	1 "	1						
	Hong Kong ...	22 "	48						
Books ...	Great Britain ...	11,831 cwt.	37,794	357,485 lbs.	1,489	10	5	17 Mar., 1871. 1d. per lb.	
	Victoria ...	264,946 lbs.	16,841						
	South Australia ...	47,629 "	6,418						
Books ...	Queensland ...	21,373 "	950	357,485 lbs.	1,489	10	5	17 Mar., 1871. 1d. per lb.	
	Point de Galle ...	21,481 "	1,000						
	New Zealand ...	20,343 "	840						
Books ...	Point de Galle ...	36 "	8	357,485 lbs.	1,489	10	5	17 Mar., 1871. 1d. per lb.	
	Fiji ...	20 "	5						
	Hong Kong ...	22,215 "	985						
Books ...	United States ...	20,402 "	850	357,485 lbs.	1,489	10	5	17 Mar., 1871. 1d. per lb.	
		418,445 lbs.	27,897						
		4,025 cases	90,690						
Books ...	Victoria ...	2,415 "	49,615	357,485 lbs.	1,489	10	5	17 Mar., 1871. 1d. per lb.	
	South Australia ...	15 "	179						
	Queensland ...	91 "	891						
Books ...	Tasmania ...	300 "	2,463	357,485 lbs.	1,489	10	5	17 Mar., 1871. 1d. per lb.	
	New Zealand ...	51 "	1,490						
	Point de Galle ...	859 "	15,209						
Books ...	Hong Kong ...	71 "	207	357,485 lbs.	1,489	10	5	17 Mar., 1871. 1d. per lb.	
	Singapore ...	3 "	64						
	Fiji ...	4 "	32						
Books ...	United States ...	300 "	2,463	357,485 lbs.	1,489	10	5	17 Mar., 1871. 1d. per lb.	
	France ...	2 "	30						
	China ...	1 "	3						
Books ...	China ...	1 "	3	357,485 lbs.	1,489	10	5	17 Mar., 1871. 1d. per lb.	
	New Caledonia ...	9 "	23						
		8,146 cases	163,359						
Maps ...	Victoria ...	3 cases	10	357,485 lbs.	1,489	10	5	17 Mar., 1871. 1d. per lb.	
	Point de Galle ...	1 "	25						
	United States ...	10 "	300						
Maps ...		14 cases	335	357,485 lbs.	1,489	10	5	17 Mar., 1871. 1d. per lb.	

STATISTICS—1877.

93

IMPORTS—continued.

Articles.	Countries whence Imported.	Importations.		Entered for Home Consumption.	Duty.				
		Quantities.	Value.		Gross Amount received.	Rate, and when imposed.			
Stationery— contd.	Sundries	Great Britain ...	3,186 pkgs.	£ 54,604		£ s. d.	34 Vic. No. 21.		
		Victoria ...	1,059 "	11,876					
		Queensland ...	144 "	118					
		New Zealand ...	3 "	30					
		Canada ...	6 "	60					
		Point de Galle ...	13 "	461					
		United States ...	81 "	111					
				4,492 pkgs.	67,260			Free.	
		Stones	Building	Victoria ...	1,572 blocks	1,564			
				South Australia ...	41 "	126			
New Zealand ...	17 "			35					
			1,630 blocks	1,725			Free.		
Ballast	Victoria ...		190 tons	95					
	New Caledonia ...		220 "	228					
			410 tons	323			Free.		
Flag ...	Victoria ...		905 No.	426			Free.		
Stoneware ...	Grinding		Great Britain ...	2,261 No.	837				
			Victoria ...	443 "	148				
		South Australia ...	94 "	67					
		New Zealand ...	4 "	2					
		United States ...	9 "	18					
			2,811 No.	1,072			Free.		
	Seythe ...	Great Britain ...	83 pkgs.	57					
		Victoria ...	15 "	21					
			98 pkgs.	78			Free.		
	Turkey	Great Britain ...	56 pkgs.	257					
Victoria ...		63 "	309						
South Australia ...		9 "	70						
		12 "	34						
		140 pkgs.	670			Free.			
Stoneware ...	Great Britain ...	146 pkgs.	399						
	Victoria ...	69 "	350						
	Norfolk Island ...	34 "	84						
	United States ...	12 "	26						
			261 pkgs.	859			Free.		
Sugar...	Raw	Tons cwt. qrs. lbs.							
		Great Britain ...	84 19 2 25	1,846					
		Victoria ...	2,174 19 3 4	72,459					
		South Australia ...	563 13 2 5	16,850					
		Queensland ...	4,112 13 3 25	112,350					
		New Zealand ...	0 1 1 0	2					
		Hong Kong ...	306 10 3 13	6,008					
		Mauritius ...	5,860 17 2 0	153,193					
		Fiji ...	15 7 2 26	469					
		United States ...	1 6 0 22	42					
		464 18 0 1	11,000						
		6,993 18 0 9	140,000						
		52 17 3 14	1,590						
		2,208 6 3 11	55,002						
		0 4 3 10	7						
		22,840 16 0 25	570,818	208,035 cwt.	52,008 16 5	9 March, 1871. 5s. per cwt.			
Sugar...	Refined	Tons cwt. qrs. lbs.							
		Great Britain ...	56 17 3 4	2,793					
		Victoria ...	209 10 0 22	7,761					
		South Australia ...	1 0 0 7	35					
		New Zealand ...	11 2 3 9	450					
		38 5 0 22	1,321						
		0 2 2 12	7						
		316 18 2 20	12,277	6,164 cwt.	2,054 14 0	9 March, 1871. 6s. 8d. per cwt.			
Sugar...	Molasses	Tons cwt. qrs. lbs.							
		Great Britain ...	6 1 1 8	121					
		Victoria ...	14 5 3 10	364					
		South Australia ...	0 2 0 0	2					
		Queensland ...	1 4 0 0	35					
				0 4 3 8	2				
		41 8 2 15	379						
		0 18 0 1	15						
		64 4 2 14	918	453 cwt.	75 9 5	9 March, 1871. 3s. 4d. per cwt.			

IMPORTS—continued.

Articles.	Countries whence Imported.	Importations.		Entered for Home Consumption.	Duty.			
		Quantities.	Value.		Gross Amount received.	Rate, and when imposed.		
Sulphur ...	Great Britain ... Victoria ... New Zealand ...	3,256 cwt.	£ 2,367		£ s. d.	34 Vic. No. 21.		
		88 "	79					
		3 "	4					
		3,347 cwt.	2,450	Free.		
Sundries ...	Great Britain ... Victoria ... South Australia ... Queensland ... Tasmania ... New Zealand ... Point de Galle ... Hong Kong ... Singapore ... United States ...	15,133 pkgs.	73,290					
		13,545 "	40,028					
		199 "	954					
		5,613 "	4,031					
		3,726 "	2,555					
		1,953 "	2,820					
		118 "	3,154					
		972 "	4,242					
		8 "	12					
		900 "	6,000					
		42,167 pkgs.	137,086	Free.		
Tallow ...	Victoria ... Queensland ... New Zealand ... New Caledonia ... Tasmania ...	6,876 cwt.	25,960					
		20,009 "	29,624					
		742 "	1,276					
		117 "	211					
		111 "	165					
		27,855 cwt.	57,236	Free.		
Tarpaulins...	Victoria ...	238 bales	2,518	Free.		
Tea...	Great Britain ... Victoria ... South Australia ... Queensland ... New Zealand ... Hong Kong ... Singapore ... United States ... China ... Java ... New Caledonia ...	834 lbs.	53					
		694,171 "	54,435					
		105,644 "	8,048					
		29,680 "	2,677					
		192 "	14					
		865,356 "	54,652					
		12,874 "	1,303					
		660 "	39					
		4,375,451 "	292,824					
		857 "	68					
		2,607 "	200					
		6,088,326 lbs.	414,313	5,389,626 lbs.	67,370 6 5	9 Mar., 1871. 3d. per lb.		
Telegraphic Materials ...	Great Britain ... Victoria ... Queensland ...	227 pkgs.	2,943					
		91 "	731					
		3 "	120					
		321 pkgs.	3,794	Free.		
Timber	Cedar ... Deals ... Spars ... Shingles ... Palings ...	Queensland ...	172,245 feet	1,740	Included in un-dressed timber.	17 Mar., 1871. 1s. per 100 ft. superficial.	
		Great Britain ... Victoria ... United States ... Sweden ...	234,235 feet	1,863				
			210,484 "	1,300				
			5,256 "	52				
			100,000 "	1,000				
				549,975 feet	4,215	Ditto.	Ditto.
		Great Britain ... Queensland ... Canada ... Sweden ...	36 No.	36				
			1 "	2				
			77 "	1,000				
			26 "	26				
		140 No.	1,064	Ditto.	Ditto.		
Victoria ... Tasmania ... New Caledonia ... United States ...	128,250 No.	193						
	21,000 "	73						
	172,000 "	30						
	100,000 "	60						
		421,250 No.	356	Free.		
Victoria ... South Australia ... Tasmania ...	65,442 No.	770						
	17,300 "	230						
	627,110 "	3,928						
		709,852 No.	4,928	Free.		

STATISTICS—1877.

95

IMPORTS—continued.

Articles.	Countries whence Imported.	Importations.		Entered for Home consumption.	Duty.		
		Quantities.	Value.		Gross Amount received.	Rate, and when imposed.	
Timber—continued.	Pine (rough)	Victoria ...	55,822 feet	£ 392	9,101,100 feet	£ s. d. 4,550 11 11	34 Vic. No. 21.
		South Australia ...	165,360 "	1,155			
		Queensland ...	303,128 "	2,121			
		Tasmania ...	1,973 "	14			
		New Zealand ...	555,085 "	3,885			
		Canada ...	3,139,489 "	30,345			
		United States ...	2,600,639 "	25,200			
		Belgium ...	43,920 "	309			
	New Caledonia ...	49,000 "	300				
			6,905,416 feet	63,721			
Pine (dressed)	Great Britain ...	31,200 feet	312	3,182,920 feet	3,182 18 5	17 Mar., 1871. 2s. per 100 feet superficial.	
	Victoria ...	232,010 "	2,320				
	South Australia ...	176,630 "	1,766				
	Queensland ...	249,068 "	2,490				
	New Zealand ...	316,353 "	3,163				
	Canada ...	105,873 "	1,058				
	United States ...	2,210,931 "	22,110				
New Caledonia ...	25,200 "	252					
Sandalwood...	New Caledonia ...	1 ton	16			Free.	
All other ...	Great Britain ...	261,216 feet	3,621	Included in rough		17 Mar., 1871. 1s. per 100 feet superficial.	
	Victoria ...	482,363 "	5,260				
	South Australia ...	6,563 "	49				
	Queensland ...	120,000 "	832				
	Tasmania ...	71,350 "	408				
	United States ...	519,222 "	8,026				
	New Caledonia ...	7,000 "	22				
	Hong Kong ...	3,661 "	128				
	South Sea Islands ...	6 "	21				
	Canada ...	500 "	5				
Torres Straits ...	1,583 "	24					
		1,473,464 feet	18,396				
Tin	Ingots and Spelter	Tons. cwt.					
		Great Britain ...	8 0	248			
		Victoria ...	7 0	125			
		South Australia ...	0 1	3			
		Queensland ...	69 0	4,437			
	United States ...	95 0	5,000				
			179 1	9,813			Free.
	Ore ...	Victoria ...	56 tons	2,418			
		Queensland ...	3,748 "	140,606			
		Tasmania ...	3,473 "	136,605			
		7,277 tons	279,629			Free.	
Plates	Great Britain ...	13,781 boxes	20,683				
	Victoria ...	2,857 "	4,958				
	South Australia ...	4 "	4				
	Queensland ...	63 "	100				
		16,705 boxes	25,745			Free.	
Tinware ...	Great Britain ...	741 pkgs.	6,916				
	Victoria ...	655 "	2,066				
	South Australia ...	29 "	237				
	Queensland ...	16 "	128				
	New Zealand ...	11 "	11				
	United States ...	8 "	46				
		1,460 pkgs.	9,404			Free.	
Tobacco.	Manufactured	Great Britain ...	57,178 lbs.	3,411	211,590 lbs. 18,599 "	21,159 0 3 2,092 7 4	9 Mar., 1871. 2s. per lb. 2s. 3d. per lb. from 25 Jan. to 14 Mar., 1877, and then re- verted to the old tariff.
		Victoria ...	293,544 "	20,050			
		South Australia ...	42,255 "	5,252			
		Queensland ...	17,558 "	1,604			
		New Zealand ...	5,308 "	275			
		Hong Kong ...	8,144 "	753			
		Fiji ...	5,886 "	327			
		United States ...	222,956 "	15,534			
		New Caledonia ...	922 "	125			
				653,751 lbs.			

IMPORTS—continued.

Articles.	Countries whence Imported.	Importations.		Entered for Home Consumption.	Duty.					
		Quantities.	Value.		Gross amount received.	Rate, and when imposed.				
Tobacco—continued.	Leaf... ..	Great Britain	869,356 lbs.	42,458	1,149,657 lbs.	57,482 17 0	34 Vic. No. 21.			
		Victoria	250,395 "	11,088						
		United States	491,238 "	19,746						
			1,610,989 lbs.	73,292						9 Mar., 1871. 1s. per lb.
	Sheepwash	Victoria	191 lbs.	4				795 lbs.	9 18 9	9 Mar., 1871. 3d. per lb.
	Cigars	Great Britain	55,749 lbs.	19,679				87,192 lbs.	21,797 18 1	9 March, 1871. 5s. per lb.
		Victoria	19,202 "	7,835						
		South Australia	1,839 "	1,356						
		Queensland	346 "	77						
		New Zealand	95 "	28						
Hong Kong		7,789 "	1,813							
Mauritius		54 "	16							
Singapore		26,602 "	7,227							
United States		762 "	425							
China... ..		1,285 "	247							
Java	425 "	163								
New Caledonia	105 "	84								
		114,253 lbs.	38,950							
Snuff	Great Britain	8 lbs.	18							
	Victoria	34 "	15							
		42 lbs.	33			Included in Manufactured Tobacco.				
Tortoise-shell	Queensland	1,756 lbs.	1,328							
	Fiji	365 "	276							
	South Sea Islands	840 "	730							
		2,961 lbs.	2,334			Free.				
Toys and Fancy Goods	Great Britain	3,863 pkgs.	76,254							
	Victoria	1,595 "	23,584							
	South Australia	135 "	2,211							
	Queensland	128 "	1,776							
	Tasmania	1 "	2							
	New Zealand	17 "	189							
	Point de Galle	82 "	3,080							
	Hong Kong	406 "	3,208							
	Singapore	2 "	15							
	China	56 "	114							
Japan	1 "	10								
Canada	2 "	23								
United States	86 "	1,361								
New Caledonia	4 "	86								
		6,378 pkgs.	111,913			Free.				
Turpentine	Great Britain	6,838 galls.	1,445	31,852 galls.	1,592 12 9	17 Mar., 1871. 1s. per gall.				
	Victoria	9,148 "	1,563							
	South Australia	187 "	56							
	New Zealand	5 "	3							
	United States	19,428 "	2,924							
		35,606 galls.	5,991							
Turnery and Woodware	Great Britain	826 pkgs.	3,333							
	Victoria	3,729 "	8,931							
	South Australia	217 "	489							
	Queensland	3 "	12							
	Tasmania	138 "	75							
	New Zealand	52 "	40							
	Hong Kong	274 "	437							
	United States	5,637 "	10,873							
	Canada	585 "	373							
New Caledonia	1 "	24								
		11,462 pkgs.	24,587			Free.				
Umbrellas and Parasols	Great Britain	299 cases	18,031							
	Victoria	108 "	830							
	Point de Galle	3 "	177							
		410 cases	19,038			Free.				
Upholstery	Great Britain	77 pkgs.	3,314							
	Victoria	2 "	57							
		79 pkgs.	3,371			Free.				

STATISTICS—1877.

97

IMPORTS—continued.

Articles.	Countries whence Imported.	Importations.		Entered for Home Consumption.	Duty.	
		Quantities.	Value.		Gross Amount received.	Rate, and when imposed.
Varnish ...	Great Britain ...	12,179 galls.	6,970	15,350 galls.	£ s. d. 1,535 1 0	34 Vic. No. 21. 17 Mar., 1871. 2s. ½ gall.
	Victoria ...	3,490 "	2,145			
	South Australia ...	17 "	10			
	New Zealand ...	1 "	1			
	Fiji ...	206 "	15			
	United States ...	48 "	33			
		15,941 galls.	9,174			
Vermicelli, Macaroni, and Tapioca	Great Britain ...	495 pkgs.	1,036	Free.
	Victoria ...	696 "	898			
	Hong Kong ...	261 "	368			
	Singapore ...	169 "	360			
	United States ...	586 "	818			
	Java ...	25 "	80			
New Caledonia ...	3 "	10				
		2,235 pkgs.	3,570			
Vinegar ...	Great Britain ...	82,878 galls.	8,271	92,380 galls.	2,309 10 4	17 Mar., 1871. 6d. ½ gall.
	Victoria ...	13,054 "	1,600			
	South Australia ...	4 "	4			
	Queensland ...	138 "	26			
	Tasmania ...	15 "	6			
	New Zealand ...	62 "	8			
Canada ...	12 "	2				
United States ...	271 "	24				
		96,434 galls.	9,941			
Watches and Clocks	Great Britain ...	451 pkgs.	8,496	Free.
	Victoria ...	296 "	10,673			
	South Australia ...	7 "	58			
	Queensland ...	3 "	326			
	New Zealand ...	353 "	1,350			
	Point de Galle ...	112 "	16,736			
Hong Kong ...	1 "	115				
Singapore ...	2 "	250				
United States ...	1,525 "	5,419				
New Caledonia ...	1 "	4				
		2,751 pkgs.	43,427			
Whiting and Chalk	Great Britain ...	2,620 casks	1,142	Free.
	Victoria ...	294 "	2,798			
	South Australia ...	24 "	33			
	New Zealand ...	8 "	8			
		2,946 casks	3,981			
Whalebone	Fisheries ...	15 cwt.	300	Free.
	Norfolk Island ...	22 "	400			
		37 cwt.	700			
Willows	Tasmania ...	683 bundles	427	Free.
	New Zealand ...	72 "	45			
		755 bundles	472			
Wine (Sparkling)...	Great Britain ...	17,024 galls.	25,630	13,349½ galls.	4,004 16 11	9 Mar., 1871. 6s. ½ gall.
	Victoria ...	1,969 "	3,298			
	South Australia ...	426 "	722			
	Tasmania ...	1 "	1			
	Ceylon ...	82 "	112			
	United States ...	116 "	171			
		19,618 galls.	29,934			
Wine (Still)	Great Britain ...	239,725 galls.	75,669	176,734 galls.	35,346 15 11	9 Mar., 1871. 4s. ½ gall.
	Victoria ...	28,884 "	12,723			
	South Australia ...	10,478 "	7,423			
	Queensland ...	1,087 "	494			
	Tasmania ...	21 "	12			
	New Zealand ...	323 "	241			
	Hong Kong ...	966 "	486			
	Fiji ...	32 "	30			
	France ...	1,168 "	870			
	New Caledonia ...	303 "	214			
			282,987 galls.			

IMPORTS—continued.

Articles.	Countries whence Imported.	Importations.		Entered for Home Consumption.	Duty.			
		Quantities.	Value.		Gross Amount received.	Rate, and when imposed.		
Wire	Great Britain	6,580 tons	109,796	11,604 tons.	£ s. d. 11,604 2 3	34 Vic. No. 21. 17 Mar., 1871. 20s. per ton.		
	Victoria	4,054 "	70,242					
	South Australia	1,202 "	27,150					
	Queensland	380 "	7,500					
	New Zealand	59 "	1,190					
	Canada	10 "	150					
		12,285 tons	216,028					
Wool...	Victoria	124,924 lbs.	9,308	Free.		
	Queensland	4,474,857 "	354,556					
	New Zealand	16,316 "	2,539					
	Fiji	3,840 "	211					
	South Sea Islands	703 "	10					
	New Caledonia	25,622 "	1,425					
		4,646,262 lbs.	368,049					
Woolpacks	Great Britain	2,615 bales	18,275	236,713 No.	2,958 18 4	17 Mar., 1871. 3d. each.		
	Victoria	1,723 "	13,747					
	South Australia	276 "	6,475					
	Queensland	1 "	45					
	New Zealand	1 "	15					
		4,616 bales	38,557					
Woollens ...	Great Britain	3,968 pkgs.	231,473	Free.		
	Victoria	882 "	40,882					
	Queensland	3 "	26					
	New Zealand	1 "	44					
	Point de Galle	5 "	247					
	Canada	3 "	161					
United States	90 "	2,700						
		4,952 pkgs.	275,533					
Yellow Metal	(Nails) ...	Great Britain	135 kegs	840		
		South Australia	9 "	14				
			144 kegs	854				
	(Sheets) ...	Great Britain	806 pkgs.	13,069		
		Victoria	3 "	65				
		South Australia	14 "	198				
Queensland		7 "	35					
		830 pkgs.	13,367					
Zinc	Great Britain	1,121 cwt.	2,148	Free.		
	Victoria	241 "	382					
	South Australia	19 "	37					
	Queensland	14 "	21					
			1,395 cwt.				2,588	
GENERAL TOTAL ...			£14,606,594	1059939 14 7			

STATISTICS—1877.

99

EXPORTS.

No. 53.—GENERAL EXPORTS from the Colony, during the Year 1877.

Articles.	Countries to which Exported.	Quantities.			Value.		
		Produce and Manufacture of the Colony.	British, Foreign, and other Colonial Produce and Manufacture.	Total.	Produce and Manufacture of the Colony.	British, Foreign, and other Colonial Produce and Manufacture.	Total.
					£	£	£
Acids	Victoria ...	10 pkgs.	10 pkgs.	15	15
	New Zealand ...	229 "	21 pkgs.	250 "	279	170	449
	South Australia	2 "	2 "	25	25
	Queensland ...	604 pkgs.	78 "	682 "	777	285	1,062
	New Caledonia ...	5 "	14 "	19 "	7	48	55
	Fiji Islands ...	2 "	2 "	3	3
	South Sea Islands...	2 "	2 pkgs.	4 "	3	2	5
	Hong Kong ...	65 "	65 "	120	120
		917 pkgs.	117 pkgs.	1,034 pkgs.	1,204	530	1,734
Aerated Waters	Victoria ...	1,362 pkgs.	1,362 pkgs.	767	767
	New Zealand ...	35 "	35 "	66	66
	Tasmania ...	6 "	6 "	12	12
	Queensland ...	465 "	465 "	641	641
	New Caledonia ...	13 "	13 "	23	23
Fiji Islands ...	84 "	84 "	132	132	
		1,965 pkgs.	1,965 pkgs.	1,641	1,641
Agricultural Imple- ments	Victoria ...	1 pkg.	99 pkgs.	100 pkgs.	6	1,238	1,244
	New Zealand	2 "	2 "	22	22
	Tasmania	1 "	1 "	10	10
	Queensland ...	10 pkgs.	159 "	169 "	65	1,262	1,327
	New Caledonia	28 "	28 "	95	95
	Honolulu	1 "	1 "	11	11
	Java	1 "	1 "	12	12
		11 pkgs.	291 pkgs.	302 pkgs.	71	2,650	2,721
Alkali	New Zealand	313 cwt.	313 cwt.	306	306
	South Australia	2 "	2 "	2	2
	Queensland	1,016 "	1,016 "	973	973
	Fiji Islands	4 "	4 "	4	4
	New Caledonia	10 "	10 "	9	9
		1,345 cwt.	1,345 cwt.	1,294	1,294
Anchors	Victoria	1 No.	1 No.	3	3
	New Zealand	12 "	12 "	40	40
	Queensland	118 "	118 "	288	288
	New Caledonia	43 "	43 "	81	81
	South Sea Islands...	17 "	17 "	70	70
	Fiji Islands	55 "	55 "	192	192
		246 No.	246 No.	674	674
Antimony Ore	Great Britain ...	450 cwt.	450 cwt.	245	245
	Victoria ...	667 "	200 cwt.	867 "	335	100	435
	Hong Kong ...	2 "	2 "	1	1
		1,119 cwt.	200 cwt.	1,319 cwt.	581	100	681
Antimony Metal	Great Britain	273 cwt.	273 cwt.	553	553
Anvils	Queensland	57 No.	57 No.	135	135
	New Caledonia	1 "	1 "	2	2
	Fiji Islands	1 "	1 "	3	3
	Honolulu	1 "	1 "	2	2
			60 No.	60 No.	142
Apothecaries' Ware	Victoria	9 pkgs.	9 pkgs.	120	120
	Queensland	7 "	7 "	35	35
			16 pkgs.	16 pkgs.	155

EXPORTS—continued.

Articles.	Countries to which Exported.	Quantities.			Value.			
		Produce and Manufacture of the Colony.	British, Foreign, and other Colonial Produce and Manufacture.	Total.	Produce and Manufacture of the Colony.	British, Foreign, and other Colonial Produce and Manufacture.	Total.	
					£	£	£	
Apparel and Slops ...	Great Britain ...	7 pkgs.	21 pkgs.	28 pkgs.	126	515	641	
	Victoria ...	3 "	81 "	84 "	16	1,119	1,135	
	New Zealand ...	1 "	88 "	89 "	10	1,683	1,693	
	Tasmania ...	2 "	22 "	24 "	10	359	369	
	South Sea Islands...	5 "	23 "	28 "	160	655	815	
	South Australia...	5 "	5 "	5 "	85	85	
	Western Australia...	1 "	1 "	1 "	6	6	
	Queensland ...	6 pkgs.	1,080 "	1,086 "	57	29,437	29,494	
	New Caledonia ...	1 "	56 "	57 "	5	1,349	1,354	
	Fiji Islands	208 "	208 "	5,774	5,774	
	Hong Kong	3 "	3 "	44	44	
	Honolulu	9 "	9 "	310	310	
	San Francisco	9 "	9 "	64	64	
	Norfolk Island	1 "	1 "	20	20	
Singapore	1 "	1 "	100	100		
		25 pkgs.	1,608 pkgs.	1,633 pkgs.	384	41,520	41,904	
Guns ...	Great Britain	2 cases	2 cases	141	141	
	Victoria	5 "	5 "	55	55	
	Tasmania	2 "	2 "	20	20	
	New Zealand	13 "	13 "	229	229	
	Queensland	272 "	272 "	5,060	5,060	
	South Sea Islands...	38 "	38 "	816	816	
	New Caledonia	53 "	53 "	653	653	
	Fiji Islands	26 "	26 "	282	282	
Honolulu	4 "	4 "	68	68		
		415 cases	415 cases	7,324	7,324	
Gun Caps ...	New Zealand	4 cases	4 cases	18	18	
	Western Australia...	1 "	1 "	5	5	
	Queensland	47 "	47 "	296	296	
	South Sea Islands...	5 "	5 "	31	31	
	New Caledonia	7 "	7 "	33	33	
Fiji Islands	5 "	5 "	28	28		
		69 cases	69 cases	411	411	
Cart-ridges	New Zealand	1 case	1 case	2	2	
	South Australia	2 cases	2 cases	14	14	
	Queensland	238 "	238 "	1,247	1,247	
	South Sea Islands...	10 "	10 "	69	69	
	New Caledonia	3 "	3 "	37	37	
Fiji Islands	2 "	2 "	6	6		
		256 cases	256 cases	1,375	1,375	
Litho-fracteur	Queensland	4,885 lbs.	4,885 lbs.	686	686	
	New Caledonia	3,170 "	3,170 "	479	479	
	South Sea Islands...	50 "	50 "	7	7	
		8,105 lbs.	8,105 lbs.	1,172	1,172	
Arms and Ammunition ...	Powder (Blasting)	Victoria	195,122 lbs.	195,122 lbs.	4,653	4,653
		New Zealand	7,500 "	7,500 "	156	156
		Queensland	66,595 "	66,595 "	1,836	1,836
		New Caledonia	49,246 "	49,246 "	1,258	1,258
		South Sea Islands...	858 "	858 "	30	30
	Fiji Islands	2,240 "	2,240 "	57	57	
			321,561 lbs.	321,561 lbs.	7,990	7,990
	Powder (Gun)	Queensland	12,819 lbs.	12,819 lbs.	1,236	1,236
		South Sea Islands...	4,604 "	4,604 "	404	404
		New Caledonia	3,332 "	3,332 "	256	256
Fiji Islands	1,312 "	1,312 "	90	90	
Norfolk Island	11 "	11 "	1	1	
		22,078 lbs.	22,078 lbs.	1,987	1,987	
Shot ...	New Zealand	38 cwt.	38 cwt.	70	70	
	Queensland	408 "	408 "	765	765	
	South Sea Islands...	123 "	123 "	232	232	
	New Caledonia	78 "	78 "	140	140	
	Fiji Islands	86 "	86 "	169	169	
Honolulu	4 "	4 "	7	7		
		737 cwt.	737 cwt.	1,383	1,383	

STATISTICS—1877.

101

EXPORTS—continued.

Articles.	Countries to which Exported.	Quantities.			Value.		
		Produce and Manufacture of the Colony.	British, Foreign, and other Colonial Produce and Manufacture.	Total.	Produce and Manufacture of the Colony.	British, Foreign, and other Colonial Produce and Manufacture.	Total.
Arms and Ammunition—contd.	Dynamite	South Australia ...	5,000 lbs.	5,000 lbs.	£	£ 680	£ 680
		Queensland ...	450 "	450 "	46	46
		South Sea Islands ..	25 "	25 "	2	2
		New Caledonia ...	600 "	600 "	67	67
		Fiji Islands ...	100 "	100 "	12	12
			6,175 lbs.	6,175 lbs.	807	807
	Bullets ...	Queensland ...	10 cwt.	10 cwt.	18	18
		Fiji Islands ...	2 "	2 "	4	4
			12 cwt.	12 cwt.	22	22
	Arrowroot ...	Great Britain ...	5,452 lbs.	5,452 lbs.	98	98
Victoria ...		10,052 "	10,052 "	196	196	
South Australia ...		224 "	224 "	7	7	
Tasmania ...		2,912 "	2,912 "	78	78	
New Zealand ...		12,056 "	12,056 "	245	245	
Queensland ...		280 "	392 "	3	8	
New Caledonia ...		112 "	112 "	3	3	
	112 lbs.	31,088 lbs.	31,200 lbs.	3	635	638	
Bags and Sacks	Victoria ...	375 bales	375 bales	4,374	4,374	
	South Australia ...	1 "	1 "	10	10	
	Tasmania ...	45 "	45 "	296	296	
	New Zealand ...	49 "	49 "	529	529	
	Queensland ...	72 bales	216 "	992	1,515	2,507	
	South Sea Islands ...	5 "	5 "	53	53	
	New Caledonia ...	38 bales	475 "	361	3,910	4,271	
	Fiji Islands ...	128 "	128 "	1,392	1,392	
	110 bales	1,184 bales	1,294 bales	1,353	12,079	13,432	
Bags (Gunny)	Victoria ...	39 bales	39 bales	130	130	
	Queensland ...	440 "	440 "	602	602	
	South Sea Islands ...	2 "	2 "	12	12	
	Fiji Islands ...	4 "	4 "	15	15	
			485 bales	485 bales	759	759
Bark ... (ground & chopped)	Great Britain ...	5,344 cwt.	5,344 cwt.	2,080	2,080	
	New Zealand ...	140 cwt.	300 "	60	107	167	
	Queensland ...	2,657 "	2,830 "	919	978	1,897	
	New Caledonia ...	160 "	48	48	
	Honolulu ...	104 "	200 cwt.	304 "	47	69	
		3,061 cwt.	8,674 cwt.	11,735 cwt.	1,074	3,234	4,308
Baskets	Victoria ...	1 pkg.	1 pkg.	1	1	
	South Australia ...	74 No. & pk.	74 pk. & No.	35	35	
	New Zealand ...	1 "	3 pkgs.	4 "	11	13	
	Tasmania ...	4 "	4 "	12	12	
	Queensland ...	160 No. & pk.	65 "	225 "	184	93	277
	New Caledonia ...	23 "	2 "	25 "	28	2	30
	Fiji Islands ...	5 "	3 "	8 "	2	3	5
	263 No. & pk.	78 pkgs.	341 pk. & No.	251	122	373	
Beche-de-mer	Hong Kong	2,623 cwt.	2,623 cwt.	10,663	10,663
Bedding	Great Britain ...	2 bales	2 bales	15	15	
	Victoria ...	58 bales	58 "	110	110	
	Queensland ...	4 "	3 bales	7 "	21	41	
	New Caledonia ...	39 "	2 "	41 "	196	17	213
	Fiji Islands ...	4 "	4 "	47	47
	105 bales	7 bales	112 bales	374	52	426	
Beeswax	Great Britain ...	24,792 lbs.	24,792 lbs.	1,388	1,388	
	Victoria ...	120 "	5	5	
	South Australia ...	1,600 "	1,600 "	86	86	
	Hong Kong ...	56 "	56 "	2	2	
	26,568 lbs.	26,568 lbs.	1,481	1,481	
Bellows—Smiths'	South Australia ...	1 No.	1 No.	8	8	
	New Zealand ...	1 "	1 "	10	10	
	Queensland ...	3 No.	46 "	49 "	12	154	166
	New Caledonia ...	8 "	8 "	25	25	
	Fiji Islands ...	1 "	1 "	4	4	
		3 No.	57 No.	60 No.	12	201	213

EXPORTS—continued.

Articles.	Countries to which Exported.	Quantities.			Value.		
		Produce and Manufacture of the Colony.	British, Foreign, and other Colonial Produce and Manufacture.	Total.	Produce and Manufacture of the Colony.	British, Foreign and other Colonial Produce and Manufacture.	Total.
					£	£	£
Beer	Great Britain		1,604 galls.	1,604 galls.		419	419
	Victoria		6,106 "	6,106 "		1,536	1,536
	South Australia	7 galls.	2,039 "	2,046 "	2	515	517
	New Zealand		7,419 "	7,419 "		1,948	1,948
	Queensland	1,912 galls.	102,318 "	104,230 "	370	24,654	25,024
	South Sea Islands		3,782 "	3,782 "		960	960
	Fiji Islands	136 galls.	5,431 "	5,567 "	26	1,490	1,516
	New Caledonia	139 "	10,763 "	10,902 "	25	2,688	2,713
	China		112 "	112 "		29	29
	San Francisco		2,014 "	2,014 "		524	524
	Petropaulovski		14 "	14 "		4	4
	Timor		66 "	66 "		20	20
	Hong Kong		353 "	353 "		96	96
	Mauritius		16 "	16 "		4	4
	Ceylon		68 "	68 "		17	17
	New Guinea		37 "	37 "		10	10
	Manila		7 "	7 "		2	2
	Java		61 "	61 "		15	15
	Norfolk Island		15 "	15 "		3	3
	Valparaiso		30 "	30 "		7	7
		2,194 galls.	142,255 galls.	144,449 galls.	423	34,941	35,364
In wood	Victoria	50 galls.	200 galls.	250 galls.	5	28	33
	Tasmania		60 "	60 "		10	10
	New Zealand		3,550 "	3,550 "		426	426
	Queensland	11,695 galls.	44,929 "	56,624 "	1,225	5,610	6,835
	Fiji Islands	3,169 "		3,169 "	262		262
New Caledonia	19,021 "		19,021 "	1,583		1,583	
		33,935 galls.	48,739 galls.	82,674 galls.	3,075	6,074	9,149
Biscuits, Fancy & Navy	Great Britain		1,029 lbs.	1,029 lbs.		20	20
	Victoria		21 "	21 "		1	1
	South Australia	390 lbs.	498 "	888 "	8	17	25
	New Zealand	9,700 "	360 "	10,060 "	147	19	166
	Queensland	19,500 "	14,568 "	34,068 "	234	377	611
	South Sea Islands	21,600 "	654 "	22,254 "	280	11	291
	New Caledonia	118,500 "	13,264 "	131,764 "	1,416	156	1,572
	Fiji Islands	21,000 "	945 "	21,945 "	261	29	290
	Honolulu		1,022 "	1,022 "		36	36
	Calcutta		2,264 "	2,264 "		20	20
	China		450 "	450 "		25	25
	Madras		1,038 "	1,038 "		25	25
Norfolk Island	2,000 lbs.	447 "	2,447 "	24	5	29	
Ceylon		666 "	666 "		9	9	
		192,690 lbs.	37,226 lbs.	229,916 lbs.	2,370	750	3,120
Blackening	Victoria		19 pkgs.	19 pkgs.		54	54
	Queensland		42 "	42 "		145	145
	Tasmania		5 "	5 "		23	23
	New Caledonia		22 "	22 "		43	43
	Fiji Islands		4 "	4 "		10	10
			92 pkgs.	92 pkgs.		275	275
Blankets	New Zealand		3 bales	3 bales		115	115
	Queensland		31 "	31 "		765	765
	South Sea Islands		1 "	1 "		10	10
	New Caledonia		3 "	3 "		71	71
	Fiji Islands		12 "	12 "		292	292
			50 bales	50 bales		1,253	1,253
Blue	Victoria		784 lbs.	784 lbs.		30	30
	New Zealand		1,636 "	1,636 "		60	60
	South Australia		480 "	480 "		12	12
	Queensland		28,717 "	28,717 "		1,013	1,013
	New Caledonia		2,124 "	2,124 "		75	75
	South Sea Islands		2,432 "	2,432 "		82	82
Fiji Islands		2,721 "	2,721 "		102	102	
			38,894 lbs.	38,894 lbs.		1,374	1,374
Boats	Victoria		1 No.	1 No.		10	10
	New Zealand		1 "	1 "		20	20
	Queensland	12 No.		12 "	887		887
	New Caledonia	3 "		3 "	100		100
	Norfolk Island	1 "		1 "	50		50
	South Australia		1 No.	1 "		200	200
		16 No.	3 No.	19 No.	1,037	230	1,267

STATISTICS—1877.

108

EXPORTS—continued.

Articles.	Countries to which Exported.	Quantities.			Value.		
		Produce and Manufacture of the Colony.	British, Foreign, and other Colonial Produce and Manufacture.	Total.	Produce and Manufacture of the Colony.	British, Foreign, and other Colonial Produce and Manufacture.	Total.
					£	£	£
Bone-dust ...	Tasmania ...	379 tons	379 tons	2,244	2,244
	New Zealand ...	1,192½ "	1,192½ "	7,310	7,310
	Ceylon ...	200 "	200 "	1,200	1,200
		1,771½ tons	1,771½ tons	10,754	10,754
Bran and Pollard ...	Victoria ...	462 bushels	65 bushels	527 bushels	26	7	33
	South Australia ...	804 "	804 "	49	49
	Queensland ...	67,424 "	64,465 bushels	131,889 "	3,833	3,528	7,361
	New Caledonia ...	3,702 "	1,866 "	5,568 "	246	111	357
	Fiji Islands ...	60 "	60 "	4	4
	Mauritius ...	150 "	150 "	9	9
		72,602 bushels	66,396 bushels	138,998 bushels	4,167	3,646	7,813
Bath ...	Queensland	46 pkgs.	46 pkgs.	37	37
	New Caledonia	17 "	17 "	8	8
	Fiji Islands	4 "	4 "	3	3
		67 pkgs.	67 pkgs.	48	48
Bricks ...	Victoria ...	5,300 No.	5,300 No.	13	13
	Tasmania ...	7,000 "	7,000 "	28	28
	South Sea Islands...	14,400 "	14,400 "	46	46
			26,700 No.	26,700 No.	87
Fire ...	Victoria	6,335 No.	6,335 No.	57	57
	Tasmania	16,500 "	16,500 "	160	160
	New Zealand	1,000 "	1,000 "	10	10
	South Australia	150 "	150 "	5	5
	Queensland ...	2,898 No.	300 "	3,198 "	27	4	31
	Fiji Islands	4,050 "	4,050 "	44	44
		2,898 No.	28,335 No.	31,233 No.	27	280	307
Brushware ...	Victoria ...	11 pkgs.	283 pkgs.	294 pkgs.	24	796	820
	South Australia	47 "	47 "	255	255
	New Zealand	19 "	19 "	228	228
	Queensland ...	140 pkgs.	120 "	260 "	193	644	837
	South Sea Islands...	5 "	2 "	7 "	8	9	17
	New Caledonia ...	15 "	26 "	41 "	40	134	174
	Fiji Islands ...	1 "	22 "	23 "	1	120	121
	Honolulu	5 "	5 "	60	60
			172 pkgs.	524 pkgs.	696 pkgs.	266	2,246
Building Materials ...	Victoria	6 pkgs.	6 pkgs.	21	21
	New Zealand ...	2 pkgs.	2 "	17	17
	South Australia ...	150 "	150 "	110	110
	Queensland ...	44 "	69 pkgs.	113 "	106	113	219
	South Sea Islands...	47 "	4 "	51 "	98	3	101
	New Caledonia ...	33 "	42 "	75 "	69	74	143
	Fiji Islands ...	30 "	30 "	32	32
		306 pkgs.	121 pkgs.	427 pkgs.	432	211	643
Butter ...	Great Britain	48,465 lbs.	48,465 lbs.	1,193	1,193
	Victoria ...	21,833 lbs.	9 "	21,842 "	874	1	875
	New Zealand ...	80 "	80 "	3	3
	South Australia ...	45,608 "	45,608 "	1,243	1,243
	Tasmania ...	640 "	640 "	21	21
	Queensland ...	472,980 "	53,184 lbs.	526,164 "	23,113	3,057	26,170
	South Sea Islands...	700 "	700 "	43	43
	New Caledonia ...	30,536 "	560 lbs.	31,096 "	1,833	21	1,854
	Fiji Islands ...	8,268 "	8,268 "	460	460
	Timor ...	968 "	968 "	60	60
	Honolulu ...	9,893 "	9,893 "	290	290
	Java ...	2,480 "	2,480 "	92	92
	Mauritius...	2,016 "	16,017 lbs.	18,033 "	126	628	754
	San Francisco ...	1,260 "	1,260 "	79	79
Hong Kong ...	1,792 "	1,792 "	65	65	
		599,054 lbs.	118,235 lbs.	717,289 lbs.	28,302	4,900	33,202
Cabbage-tree...	Victoria ...	4 pkgs.	4 pkgs.	6	6
	Queensland ...	1 "	1 "	3	3
			5 pkgs.	5 pkgs.	9

EXPORTS—continued.

Articles.	Countries to which Exported.	Quantities.			Value.		
		Produce and Manufacture of the Colony.	British, Foreign, and other Colonial Produce and Manufacture.	Total.	Produce and Manufacture of the Colony.	British, Foreign, and other Colonial Produce and Manufacture.	Total.
Candles ...	Great Britain ...		325 lbs.	325 lbs.	£	13	13
	Victoria ...		16 "	16 "		1	1
	New Zealand ...		114,875 "	114,875 "		4,228	4,228
	South Australia ...		3,400 "	3,400 "		133	133
	Queensland ...	125 lbs.	150,815 "	150,940 "	5	5,965	5,970
	South Sea Islands...		1,275 "	1,275 "		53	53
	New Caledonia ...		52,074 "	52,074 "		2,035	2,035
	Fiji Islands ...	25 lbs.	5,498 "	5,523 "	1	227	228
	Hong Kong ...		25 "	25 "		1	1
	China ...		50 "	50 "		2	2
San Francisco ...		1,250 "	1,250 "		50	50	
Japan ...		25 "	25 "		1	1	
		150 lbs.	329,628 lbs.	329,778 lbs.	6	12,709	12,715
Candle-wick ...	Queensland ...		9 bales	9 bales		59	59
	New Caledonia ...		3 "	3 "		12	12
			12 bales	12 bales		71	71
Canvas ...	Great Britain ...		5 bales	5 bales		100	100
	Victoria ...		4 "	4 "		280	280
	New Zealand ...		32 "	32 "		941	941
	Tasmania ...		14 "	14 "		709	709
	Queensland ...		64 "	64 "		575	575
	South Sea Islands...		9 "	9 "		124	124
	New Caledonia ...		10 "	10 "		179	179
	Fiji Islands ...		21 "	21 "		299	299
Timor ...		2 "	2 "		40	40	
			161 bales	161 bales		3,247	3,247
Carpeting and Rugs...	Great Britain ...		2 bales	2 bales		20	20
	Victoria ...		8 "	8 "		114	114
	New Zealand ...		1 "	1 "		7	7
	Queensland ...		10 "	10 "		190	190
	South Sea Islands...		3 "	3 "		52	52
	New Caledonia ...		3 "	3 "		41	41
Fiji Islands ...		4 "	4 "		21	21	
			31 bales	31 bales		445	445
Carriages ...	Victoria ...	28 No.	8 No.	36 No.	1,480	260	1,740
	New Zealand ...	8 "	2 "	10 "	350	140	490
	Tasmania ...	4 "		4 "	150		150
	Queensland ...	104 "	9 No.	113 "	5,947	576	6,523
	South Sea Islands...	7 "		7 "	225		225
	New Caledonia ...	7 "		7 "	249		249
		158 No.	19 No.	177 No.	8,401	976	9,377
Carriage and Cart Materials ...	Victoria ...		19 pkgs.	19 pkgs.		95	95
	New Zealand ...	2,454 pkgs.	84 "	2,538 "	1,271	77	1,348
	South Australia ...	587 "	62 "	649 "	201	88	289
	Tasmania ...		5 "	5 "		11	11
	Queensland ...	192 "	1,753 "	1,945 "	101	1,102	1,203
	South Sea Islands...	23 "		23 "	35		55
	New Caledonia ...	210 "	100 "	310 "	169	53	222
	Fiji Islands ...		3 "	3 "		4	4
		3,466 pkgs.	2,026 pkgs.	5,492 pkgs.	1,777	1,430	3,207
Carts, Drays, and Waggons...	Victoria ...	18 No.		18 No.	312		312
	South Australia ...	2 "		2 "	30		30
	New Zealand ...	268 "		268 "	3,169		3,169
	Queensland ...	40 "		40 "	970		970
	South Sea Islands...	16 "		16 "	184		184
	Fiji Islands ...	8 "		8 "	88		88
New Caledonia ...	2 "		2 "	30		30	
		354 No.		354 No.	4,783		4,783
Casks (empty)	Victoria ...	437 No.	287 No.	724 No.	240	184	424
	South Australia ...	50 "	81 "	131 "	25	43	68
	New Zealand ...	23 "	50 "	73 "	11	16	27
	Queensland ...	477 "	271 "	748 "	238	211	449
	South Sea Islands...	100 "		100 "	40		40
	New Caledonia ...	6 "		6 "	2		2
	Fiji Islands ...	52 "	50 No.	102 "	19	25	44
Norfolk Island ...	99 "		99 "	45		45	
		1,244 No.	739 No.	1,983 No.	620	479	1,099

STATISTICS—1877.

105

EXPORTS—continued.

Articles.	Countries to which Exported.	Quantities.			Value.		
		Produce and Manufacture of the Colony.	British, Foreign, and other Colonial Produce and Manufacture.	Total.	Produce and Manufacture of the Colony.	British, Foreign, and other Colonial Produce and Manufacture.	Total.
					£	£	£
Cement ...	Victoria	5 barrels	5 barrels	8	8
	New Zealand	1,300 "	1,300 "	1,100	1,100
	Queensland	2,054 "	2,054 "	1,826	1,826
	South Sea Islands...	25 "	25 "	23	23
	Fiji Islands	13 "	13 "	12	12
			3,397 barrels	3,397 barrels	2,969	2,969
Chaff ...	Victoria ...	307 cwt.	31 cwt.	338 cwt.	78	10.	88
	Queensland ...	5,466 "	449 "	5,915 "	1,745	140	1,885
		5,773 cwt.	480 cwt.	6,253 cwt.	1,823	150	1,973
Chain Cables...	Queensland	183 cwt.	183 cwt.	232	232
	Fiji Islands	23 "	23 "	27	27
	New Caledonia	10 "	10 "	12	12
				216 cwt.	216 cwt.	271
Cheese ...	Great Britain	1,217 lbs.	1,217 lbs.	65	65
	Victoria ...	1,229 lbs.	108 "	1,337 "	35	5	40
	New Zealand ...	224 "	224 "	8	8
	Tasmania	46 lbs.	46 "	2	2
	South Australia	1,266 "	1,266 "	71	71
	Queensland ...	22,780 lbs.	21,635 "	44,415 "	793	1,125	1,918
	South Sea Islands...	168 "	996 "	1,164 "	6	45	51
	New Caledonia ...	15,124 "	10,185 "	25,309 "	584	471	1,055
	Fiji Islands ...	43 "	1,304 "	1,347 "	2	65	67
	San Francisco	841 "	841 "	51	51
	Hong Kong	199 "	199 "	12	12
	Ceylon	84 "	84 "	4	4
	Madras	187 "	187 "	11	11
	Calcutta	45 "	45 "	2	2
		39,568 lbs.	38,113 lbs.	77,681 lbs.	1,428	1,929	3,357
Chicory ...	Victoria	4,480 lbs.	4,480 lbs.	56	56
	New Zealand	4,580 "	4,580 "	57	57
	Queensland	29,120 "	29,120 "	382	382
				38,180 lbs.	38,180 lbs.	495
Chinese Goods ...	Victoria	24 pkgs.	24 pkgs.	101	101
	New Zealand	42 "	42 "	167	167
	South Australia	10 "	10 "	42	42
	Queensland	1,113 "	1,113 "	4,873	4,873
	South Sea Islands...	4 "	4 "	18	18
	New Caledonia	6 "	6 "	24	24
	Fiji Islands	25 "	25 "	150	150
			1,224 pkgs.	1,224 pkgs.	5,375	5,375
Chocolate and Cocoa	New Zealand	4,816 lbs.	4,816 lbs.	262	262
	Tasmania	1,008 "	1,008 "	60	60
	Queensland	14,584 "	14,584 "	867	867
	South Sea Islands...	928 "	928 "	56	56
	New Caledonia	1,550 "	1,550 "	100	100
	Fiji Islands	968 "	968 "	59	59
	San Francisco	48 "	48 "	3	3
			23,902 lbs.	23,902 lbs.	1,407	1,407
Coal ...	Victoria ...	294,781 tons	294,781 tons	202,307	202,307
	South Australia ...	86,223 "	86,223 "	58,446	58,446
	Tasmania ...	23,757 "	23,757 "	15,622	15,622
	New Zealand ...	150,543 "	150,543 "	104,784	104,784
	Queensland ...	8,142 "	8,142 "	5,362	5,362
	Western Australia...	311 "	311 "	219	219
	South Sea Islands...	1,199 "	1,199 "	1,073	1,073
	New Caledonia ...	3,797 "	3,797 "	2,832	2,832
	Fiji Islands ...	309 "	309 "	250	250
	Ceylon ...	1,618 "	1,618 "	1,560	1,560
	Hong Kong ...	84,119 "	84,119 "	62,840	62,840
	Mauritius ...	3,171 "	3,171 "	2,206	2,206
	Manila ...	13,311 "	13,311 "	9,399	9,399
	Honolulu ...	2,464 "	2,464 "	1,677	1,677
Singapore ...	8,960 "	8,960 "	6,643	6,643	
Petropaulovski ...	6,401 "	6,401 "	5,231	5,231	
Madras ...	3,714 "	3,714 "	3,289	3,289	
Carried forward...	692,820 tons	692,820 tons	483,740	483,740	

EXPORTS—continued.

Articles.	Countries to which Exported.	Quantities.			Value.		
		Produce and Manufacture of the Colony.	British, Foreign, and other Colonial Produce and Manufacture.	Total.	Produce and Manufacture of the Colony.	British, Foreign, and other Colonial Produce and Manufacture.	Total.
Coal—continued.	Brought forward...	692,820 tons	692,820 tons	£ 483,740	£ 483,740
	Bombay	10,864 "	10,864 "	7,684	7,684
	Guam	642 "	642 "	449	449
	Calcutta	6,121 "	6,121 "	5,571	5,571
	Java	15,289 "	15,289 "	11,228	11,228
	Japan	16,640 "	16,640 "	12,189	12,189
	China	55,786 "	55,786 "	41,054	41,054
	Callao	1,154 "	1,154 "	1,050	1,050
	San Francisco	101,361 "	101,361 "	74,037	74,037
	Valparaiso	6,648 "	6,648 "	5,502	5,502
	Timor	240 "	240 "	240	240
	Nagapatan	3,930 "	3,930 "	3,271	3,271
	Tulicorin	2,482 "	2,482 "	1,737	1,737
	Bankok	1,000 "	1,000 "	700	700
	Portland (U.S.)	750 "	750 "	525	525
		915,727 tons	915,727 tons	648,977	648,977
Church Articles	Tasmania	1 pkg.	1 pkg.	10	10
	New Zealand	6 pkgs.	6 pkgs.	56	56
	Queensland	4 "	4 "	44	44
	Fiji Islands	1 "	1 "	18	18
	South Sea Islands...	17 "	17 "	123	123
			29 pkgs.	29 pkgs.	251	251
Cider	Queensland	22 galls.	22 galls.	11	11
	Fiji Islands	11 "	11 "	4	4
			33 galls.	33 galls.	15	15
Cocon-nuts	Victoria	50,772 No.	50,772 No.	539	539
	New Zealand	1,492 "	1,492 "	19	19
	Tasmania	8,088 "	8,088 "	99	99
	Queensland	5,372 "	5,372 "	59	59
			65,724 No.	65,724 No.	716	716
Cobalt	Great Britain	34 tons	34 tons	664	664
	Victoria	17 "	17 "	346	346
			51 tons	51 tons	1,010	1,010
Coffee (raw and ground)	Great Britain	224 lbs.	1,976 lbs.	2,200 lbs.	12	111	123
	Victoria	25,544 "	25,544 "	1,193	1,193
	New Zealand	472 lbs.	40,941 "	41,413 "	26	2,233	2,259
	Tasmania	28 "	28 "	2	2
	South Australia	277 lbs.	620 "	897 "	16	34	50
	Queensland	6,466 "	47,332 "	53,798 "	345	2,451	2,796
	South Sea Islands... ..	865 "	4,310 "	5,175 "	42	227	269
	New Caledonia	1,789 "	443 "	2,232 "	92	24	116
	Fiji Islands	2,270 "	1,266 "	3,536 "	112	65	177
	China	600 "	711 "	1,311 "	31	44	75
	San Francisco	909 "	1,145 "	2,054 "	47	63	110
	Mauritius	88 "	88 "	5	5
	Petropaulovski	204 lbs.	28 "	232 "	12	2	14
	Valparaiso	112 "	112 "	6	6
	Honolulu	156 "	156 "	9	9
	Java	67 lbs.	187 "	254 "	3	11	14
	New Guinea	255 "	255 "	14	14
	Hong Kong	924 "	924 "	55	55
	Japan	144 lbs.	144 "	8	8
	Manilla	150 "	150 "	11	11
Guam	25 "	25 "	2	2	
Tulicorin	56 "	56 "	4	4	
		14,437 lbs.	126,147 lbs.	140,584 lbs.	757	6,555	7,312
Coin	Great Britain	281 boxes	281 boxes	1,358,336	1,358,336
	New Zealand	6 "	6 "	50,000	50,000
	Queensland	59 "	59 "	290,040	290,040
	Java	2 "	2 "	10,000	10,000
	Hong Kong	54 "	54 "	66,392	66,392
	Singapore	3 "	3 "	5,273	5,273
	Fiji Islands	1 "	1 "	5,000	5,000
	New Caledonia	1 "	1 "	2,000	2,000
Ceylon	8 "	8 "	27,450	27,450	
France	3 boxes	3 "	2,004	2,004	
		415 boxes	3 boxes	418 boxes	1,814,491	2,004	1,816,495

STATISTICS—1877.

107

EXPORTS—continued.

Articles.	Countries to which Exported.	Quantities.			Value.			
		Produce and Manufacture of the Colony.	British, Foreign, and other Colonial Produce and Manufacture.	Total.	Produce and Manufacture of the Colony.	British, Foreign, and other Colonial Produce and Manufacture.	Total.	
Coin— <i>contd.</i>	Silver	Great Britain	23 boxes	23 boxes	£	£	£	
		Victoria	9 "	9 "	6,528	6,528	
		New Zealand	23 "	23 "	2,400	2,400	
		Queensland	16 "	16 "	4,700	4,700	
		Fiji Islands	4 "	4 "	4,055	4,055	
		France	36 "	36 "	800	800	
	Java	1 "	1 "	7,795	7,795		
	112 boxes	112 boxes	152	152	
	Copper	Great Britain	2 boxes	2 boxes	26,430	26,430	
		Queensland	1 "	1 "	65	65	
South Australia		1 "	1 "	50	50		
.....	4 boxes	4 boxes	50	50		
Coke	Victoria	592 tons	592 tons	683	683		
	Tasmania	4 "	4 "	10	10		
	New Zealand	298 "	298 "	608	608		
	Queensland	5 "	5 "	15	15		
	New Caledonia	445 "	445 "	891	891		
.....	1,344 tons	1,344 tons	2,207	2,207		
Confectionery	Great Britain	40 lbs.	40 lbs.	2	2		
	Victoria	336 "	336 "	16	16		
	New Zealand	932 "	1,334 "	14	43		
	South Australia	672 "	672 "	29	57		
	Queensland	4,596 lbs.	21,047 "	182	29		
	South Sea Islands	336 "	1,232 "	14	733		
	New Caledonia	6,551 "	1,568 "	14	915		
	Fiji Islands	1,380 "	1,600 "	257	57		
	Honolulu	672 "	2,980 "	64	80		
	672 "	73	137		
.....	13,265 lbs.	23,603 lbs.	36,868 lbs.	531	1,059	1,590	
Copper	Raw	Great Britain	44,042½ cwt.	31,959 cwt.	76,001½ cwt.	166,433	121,525	287,958
		Victoria	15,386 "	9,760½ "	25,146½ "	56,828	36,153	92,981
		South Australia	21,890 "	21,890 "	77,660	77,660
		New Zealand	27 "	503 cwt.	77½ "	100	187	287
		Queensland	10 "	15 "	25 "	40	61	101
		Calcutta	1,700 "	1,700 "	6,120	6,120
	83,055½ cwt.	41,785 cwt.	124,840½ cwt.	307,181	157,926	465,107
	Sheet	Tasmania	8 pkgs.	8 pkgs.	80	80	
		Queensland	13 "	13 "	84	84	
		New Caledonia	3 "	3 "	22	22	
.....	24 pkgs.	24 pkgs.	186	186		
Old	Hong Kong	690 cwt.	690 cwt.	1,812	1,812		
Copra	Great Britain	52,855 cwt.	52,855 cwt.	40,106	40,106		
	Victoria	2,260 "	2,260 "	1,793	1,793		
	South Sea Islands	4,000 "	4,000 "	2,900	2,900		
	Valparaiso	4,500 "	4,500 "	3,150	3,150		
	63,615 cwt.	63,615 cwt.	47,949	47,949	
Candle Nuts	Great Britain	810 cwt.	810 cwt.	677	677		
Corks and Bungs	Victoria	4 bales	4 bales	10	10		
	New Zealand	4 "	4 "	26	26		
	Queensland	25 "	25 "	121	121		
	South Sea Islands	2 "	2 "	4	4		
	New Caledonia	14 "	14 "	130	130		
	Fiji Islands	7 "	7 "	68	68		
	56 bales	56 bales	359	359	
Cordage and Rope	Victoria	2 cwt.	39 cwt.	41 cwt.	4	90	94	
	New Zealand	754 "	212 "	966 "	1,737	514	2,251	
	Tasmania	1 "	1 "	3	3	
	South Australia	50½ "	50½ "	98	98	
	Queensland	273 cwt.	555 "	828 "	596	1,224	1,820	
	South Sea Islands	65 "	65 "	157	157	
	New Caledonia	90 cwt.	115 "	205 "	129	274	403	
	Fiji Islands	47½ "	228½ "	275¾ "	107	518	625	
	San Francisco	53 "	53 "	124	124	
	Carried forward	1,167½ cwt.	1,317¾ cwt.	2,485¼ cwt.	2,576	2,999	5,575

EXPORTS—continued.

Articles.	Countries to which Exported.	Quantities.			Value.			
		Produce and Manufacture of the Colony.	British, Foreign, and other Colonial Produce and Manufacture.	Total.	Produce and Manufacture of the Colony.	British, Foreign, and other Colonial Produce and Manufacture.	Total.	
Cordage and Rope— <i>contd.</i>	Brought forward ...	1,167½ cwt.	1,317¾ cwt.	2,485¼ cwt.	£ 2,576	£ 2,999	£ 5,575	
	Hong Kong	7¾ "	7¾ "	28	28	
	China	43¼ "	43¼ "	105	105	
	Timor	7 "	7 "	17	17	
	Seagon (Cochin China.)	6¼ "	6¼ "	18	18	
	Norfolk Island	2 "	2 "	5	5	
	Japan	10 "	10 "	22	22	
	Callao	3¾ "	3¾ "	9	9	
		1,167½ cwt.	1,397¾ cwt.	2,565¼ cwt.	2,576	3,203	5,779	
Cordage (old)	Great Britain ...	2 tons	2 tons	20	20	
	Victoria ...	6 "	6 "	75	75	
		8 tons	8 tons	95	95	
Cordials	Victoria ...	20 pkgs.	20 pkgs.	20	20	
	New Zealand ...	13 "	13 "	20	20	
	South Australia	131 pkgs.	131 "	93	93	
	Queensland ...	163 pkgs.	554 "	717 "	143	484	627	
	Fiji Islands ...	7 "	7 "	7	7	
	Honolulu	3 "	3 "	4	4	
	New Caledonia ...	10 pkgs.	10 "	7	7	
		213 pkgs.	688 pkgs.	901 pkgs.	197	581	778	
Cotton	raw	Great Britain	841 bales	841 bales	15,179	15,179
	gun	Victoria	32 bales	32 bales	160	160
	waste	Victoria	21 bales	21 bales	204	204
		New Zealand	5 "	5 "	18	18
		Queensland	23 "	23 "	195	195
		South Sea Islands... New Caledonia	1 "	1 "	7	7
			2 "	2 "	6	6
		52 bales	52 bales	430	430	
Curiosities	Great Britain ...	5 pkgs.	10 pkgs.	15 pkgs.	47	143	190	
	Victoria ...	5 "	30 "	35 "	15	106	121	
	New Zealand	22 "	22 "	42	42	
	South Australia ...	2 pkgs.	2 "	30	30	
	Tasmania	1 pkg.	1 "	2	2	
	Queensland	27 pkgs.	27 "	163	163	
	San Francisco	1 pkg.	1 "	10	10	
	France	1 "	1 "	50	50	
		12 pkgs.	92 pkgs.	104 pkgs.	92	516	608	
Cutlery	Great Britain	2 pkgs.	2 pkgs.	22	22	
	Victoria	2 "	2 "	41	41	
	Tasmania	1 "	1 "	20	20	
	New Zealand	6 "	6 "	170	170	
	Queensland	38 "	38 "	1,112	1,112	
	South Sea Islands	17 "	17 "	264	264	
	New Caledonia	7 "	7 "	275	275	
	Fiji Islands	15 "	15 "	221	221	
	Honolulu	5 "	5 "	50	50	
		93 pkgs.	93 pkgs.	2,175	2,175	
Dates	New Zealand	65 lbs.	65 lbs.	1	1	
	Queensland	6,072 "	6,072 "	129	129	
	Fiji Islands	672 "	672 "	17	17	
			6,809 lbs.	6,809 lbs.	147	147
Doors and Sashes	Victoria ...	7 No.	7 No.	2	2	
	South Australia	150 No.	150 "	90	90	
	Queensland	570 "	570 "	346	346	
	South Sea Islands... Norfolk Island ...	6 No.	15 "	21 "	11	30	41	
			6 "	6 "	4	4
			13 No.	741 No.	754 No.	13	470	483

STATISTICS—1877.

109

EXPORTS—continued.

Articles.	Countries to which Exported.	Quantities.			Value.		
		Produce and Manufacture of the Colony.	British, Foreign, and other Colonial Produce and Manufacture.	Total.	Produce and Manufacture of the Colony.	British, Foreign, and other Colonial Produce and Manufacture.	Total.
					£	£	£
Drugs and Medicines	Great Britain ...	2 pkgs.	14 pkgs.	16 pkgs.	25	266	291
	Victoria ...	236 "	152 "	388 "	709	1,003	1,712
	South Australia ...	1 "	2 "	3 "	2	7	9
	Tasmania ...	5 "	35 "	40 "	37	514	551
	New Zealand ...	53 "	100 "	153 "	209	876	1,085
	Queensland ...	180 "	818 "	998 "	464	7,402	7,866
	South Sea Islands...	6 "	45 "	51 "	32	295	327
	New Caledonia ...	6 "	78 "	84 "	54	434	488
	Fiji Islands ...	3 "	107 "	110 "	10	1,201	1,211
	Honolulu	1 "	1 "	2	2
	San Francisco	20 "	20 "	313	313
	Hong Kong	2 "	2 "	15	15
Mauritius	31 pkgs.	31 "	235	235	
Drain Pipes	523 pkgs.	1,374 pkgs.	1,897 pkgs.	1,777	12,328	14,105
	Tasmania ...	200 No.	200 No.	30	30
	South Sea Islands...	10 "	10 "	2	2
	210 No.	210 No.	32	32
Earthenware and China	Great Britain	3 pkgs.	3 pkgs.	25	25
	Victoria	31 "	31 "	399	399
	Tasmania	16 "	16 "	190	190
	South Australia	13 "	13 "	101	101
	New Zealand	269 "	269 "	2,687	2,687
	Queensland	1,172 "	1,172 "	16,288	16,288
	South Sea Islands...	18 "	18 "	152	152
	New Caledonia	43 "	43 "	428	428
	Fiji Islands	63 "	63 "	559	559
	Honolulu	21 "	21 "	225	225
Norfolk Island	8 "	8 "	59	59	
.....	1,657 pkgs.	1,657 pkgs.	21,113	21,113	
Eggs ...	Victoria ...	184 pkgs.	184 pkgs.	841	841
	Queensland ...	18 "	18 "	75	75
	Tasmania ...	2 "	2 "	10	10
	204 pkgs.	204 pkgs.	926	926
Exhibits ...	France ...	145 pkgs.	145 pkgs.	454	454

Felt...	Great Britain	4 bales	4 bales	50	50
	Victoria	1 "	1 "	1	1
	New Zealand	3 "	3 "	10	10
	Queensland	10 "	10 "	30	30
	South Sea Islands...	1 "	1 "	5	5
	New Caledonia	4 "	4 "	86	86
	Fiji Islands	1 "	1 "	3	3
.....	24 bales	24 bales	185	185	
Fibre ...	Victoria	4,474 pkgs., &c.	4,474 pkgs., &c.	577	577
	New Zealand	63 "	63 "	46	46
	Tasmania	8 "	8 "	5	5
	Queensland	1,566 "	1,566 "	920	920
	New Caledonia	77 "	77 "	42	42
.....	6,188 pkgs., &c.	6,188 pkgs., &c.	1,590	1,590	
Fireclay ...	Victoria	4 tons	4 tons	20	20
	Tasmania ...	9 tons	9 "	27	27
	Queensland	1 ton	1 "	5	5
	9 tons	5 tons	14 tons	27	25	52
Fireworks ...	Great Britain	4 pkgs.	4 pkgs.	6	6
	Victoria	50 "	50 "	70	70
	New Zealand	20 "	20 "	160	160
	Queensland	80 "	80 "	124	124
	South Sea Islands...	2 "	2 "	1	1
	156 pkgs.	156 pkgs.	361	361
Flock...	New Zealand	2 bales	2 bales	6	6
	New Caledonia	1 "	1 "	2	2
	3 bales	3 bales	8	8

EXPORTS—continued.

Articles.	Countries to which Exported.	Quantities.			Value.		
		Produce and Manufacture of the Colony.	British, Foreign, and other Colonial Produce and Manufacture.	Total.	Produce and Manufacture of the Colony.	British, Foreign, and other Colonial Produce and Manufacture.	Total.
Fish (Salt, Dried, and Preserved) ...	Great Britain ...		1,835 lbs.	1,835 lbs.	£	86	86
	Victoria ...	26,251 lbs.	508,672 "	534,923 "	35 ¹	18,737	19,088
	South Australia ...		16,228 "	16,228 "		566	566
	Tasmania ...		9,667 "	9,667 "		256	256
	New Zealand ...	2,400 lbs.	4,919 "	7,319 "	3 ⁰	182	212
	Queensland ...	9,772 "	290,204 "	299,976 "	128	10,977	11,105
	South Sea Islands...		10,561 "	10,561 "		465	465
	New Caledonia.....		66,629 "	66,629 "		2,591	2,591
	Fiji Islands ...	924 lbs.	17,486 "	18,410 "	32	867	899
	San Francisco ...		3,088 "	3,088 "		144	144
	Hong Kong ...	1,344 lbs.	800 "	2,144 "	26	23	49
	Singapore ...		132 "	132 "		5	5
	China ...		2,350 "	2,350 "		44	44
	Seagon (Cochin China)		100 "	100 "		2	2
	New Guinea ...		116 "	116 "		5	5
	Japan ...		180 "	180 "		6	6
	Java ...		132 "	132 "		3	3
Mauritius ...		24 "	24 "		1	1	
Callao ...		814 "	814 "		38	38	
		40,691 lbs.	933,937 lbs.	974,628 lbs.	567	34,998	35,565
Flour...	Great Britain ...		10,000 cwt.	10,000 cwt.		8,100	8,100
	Victoria ...	3,350 cwt.	172 "	3,522 "	2,261	131	2,392
	South Australia ...		284 "	284 "		247	247
	New Zealand ...	197 cwt.	1,700 "	1,897 "	136	1,279	1,415
	Queensland ...	15,810 "	68,947 "	84,757 "	12,994	58,381	71,375
	Tasmania ...	10 "		10 "	7		7
	South Sea Islands	566 "	209 cwt.	775 "	450	171	621
	New Caledonia ...	1,758 "	2,087 "	3,845 "	1,450	1,661	3,111
	Fiji Islands ...	1,570 "	2,243 "	3,813 "	1,245	1,754	2,999
	Hong Kong ...		20 "	20 "		15	15
	Timor ...		40 "	40 "		28	28
	Norfolk Island ...		188 "	188 "		152	152
	Java ...		1,000 "	1,000 "		750	750
Singapore ...	200 cwt.		200 "	170		170	
		23,461 cwt.	86,890 cwt.	110,351 cwt.	18,713	72,669	91,382
Flour (Corn)...	Great Britain ...		112 lbs.	112 lbs.		3	3
	Victoria ...		11,930 "	11,930 "		297	297
	South Australia ...	40 lbs.		40 "	1		1
	Tasmania ...	800 "		800 "	20		20
	New Zealand ...	1,960 "	4,800 lbs.	6,760 "	49	120	169
	Queensland ...	15,740 "	16,098 "	31,838 "	351	405	756
	South Sea Islands	152 "		152 "	3		3
	New Caledonia ...	820 "	80 lbs.	900 "	20	2	22
Fiji Islands ...	1,112 "	310 "	1,422 "	28	8	36	
		20,624 lbs.	33,330 lbs.	53,954 lbs.	472	835	1,307
Floorecloth ...	New Zealand ...		1 pkg.	1 pkg.		7	7
	Queensland ...		9 pkgs.	9 pkgs.		70	70
	South Sea Islands		4 "	4 "		25	25
	New Caledonia ...		7 "	7 "		65	65
	Fiji Islands ...		2 "	2 "		8	8
			23 pkgs.	23 pkgs.		175	175
Fruit ...	Great Britain ...		58 cases	58 cases		69	69
	Victoria ...		55 "	55 "		65	65
	New Zealand ...		6 "	6 "		10	10
	South Australia ...		12 "	12 "		14	14
	Queensland ...		576 "	576 "		710	710
	South Sea Islands		33 "	33 "		42	42
	New Caledonia ...		16 "	16 "		19	19
	Fiji Islands ...		47 "	47 "		61	61
	Hong Kong ...		5 "	5 "		5	5
	China ...		7 "	7 "		8	8
	San Francisco ...		38 "	38 "		54	54
	Java ...		2 "	2 "		2	2
	Petropaulovski ...		3 "	3 "		3	3
			858 cases	858 cases		1,062	1,062
Dried ...	Great Britain ...		5,000 lbs.	5,000 lbs.		163	163
	Victoria ...		46,038 "	46,038 "		997	997
	New Zealand ...		39,882 "	39,882 "		804	804
	Tasmania ...		590 "	590 "		19	19
	South Australia ...		4,768 "	4,768 "		123	123
Carried forward...			96,278 lbs.	96,278 lbs.		2,106	2,106

STATISTICS—1877.

EXPORTS—continued.

Articles.	Countries to which Exported.	Quantities.			Value.		
		Produce and Manufacture of the Colony.	British, Foreign, and other Colonial Produce and Manufacture.	Total.	Produce and Manufacture of the Colony.	British, Foreign, and other Colonial Produce and Manufacture.	Total.
Fruit <i>contd.</i>	Dried— <i>contd.</i>	Brought forward...	96,278 lbs.	96,278 lbs.	£	£	£
		Queensland	496,226 "	496,226 "	2,106	2,106
		South Sea Islands...	8,525 "	8,525 "	12,312	12,312
		New Caledonia	12,029 "	12,029 "	234	234
		Fiji Islands	8,114 "	8,114 "	370	370
		Singapore	80 "	80 "	229	229
		Petropaulovski	419 "	419 "	2	2
		San Francisco	419 "	419 "	12	12
		Hong Kong	4,334 "	4,334 "	144	144
		China	545 "	545 "	18	18
		Honolulu	1,301 "	1,301 "	42	42
		Mauritius	678 "	678 "	30	30
		New Guinea	81 "	81 "	3	3
		Seagon (Cochin China)	1,590 "	1,590 "	16	16
		Java	112 "	112 "	3	3
Norfolk Island	97 "	97 "	4	4		
Japan	125 "	125 "	5	5		
		120 "	120 "	4	4	
		630,654 lbs.	630,654 lbs.	15,534	15,534	
Green	Great Britain	2 cases	2 cases	2	2	
	Victoria	118,089 "	877 cases	118,966 "	36,234	871	
	South Australia	127 "	127 "	41	41	
	Tasmania	3,793 "	67 cases	3,860 "	1,403	86	
	New Zealand	26,560 "	124 "	26,684 "	9,330	136	
	Queensland	44,571 "	13,155 "	57,726 "	17,020	6,170	
	New Caledonia	553 "	86 "	639 "	263	50	
	Fiji Islands	165 "	85 "	250 "	70	45	
	San Francisco	201 "	201 "	123	123	
			194,061 cases	14,394 cases	208,455 cases	64,486	7,358
Fungus	Hong Kong	1,900 pkgs.	1,900 pkgs.	5,970	
Fuze	New Zealand	9 pkgs.	9pkgs.	56	
	South Australia	1 "	1 "	8	
	Queensland	67 "	67 "	701	
	South Sea Islands...	1 "	1 "	8	
	New Caledonia	9 "	9 "	95	
	Fiji Islands	2 "	2 "	16	
		89 pkgs.	89 pkgs.	884	
Furniture	Great Britain	6 pkgs.	6 pkgs.	900	
	Victoria	32 pkgs.	122 "	154 "	306	1,243	
	South Australia	47 "	30 "	77 "	180	76	
	Tasmania	2 "	89 "	91 "	50	504	
	New Zealand	1 "	212 "	213 "	15	1,353	
	Queensland	156 "	1,732 "	1,888 "	1,181	9,947	
	South Sea Islands...	46 "	53 "	99 "	301	221	
	New Caledonia	83 "	156 "	239 "	311	1,022	
	Fiji Islands	40 "	126 "	166 "	394	828	
	Hong Kong	48 "	48 "	175	
Norfolk Island	4 "	4 "	21		
		407 pkgs.	2,578 pkgs.	2,985 pkgs.	2,738	16,290	
Looking	New Zealand	6 cases	6 cases	60	
	Tasmania	5 "	5 "	47	
	Queensland	10 "	10 "	88	
	South Sea Islands...	1 "	1 "	7	
	Fiji Islands	9 "	9 "	129	
		31 cases	31 cases	331	
Glass	New Zealand	7 cases	7 cases	14	
	Queensland	274 "	274 "	363	
	South Sea Islands...	7 "	7 "	6	
	New Caledonia	107 "	107 "	138	
	Fiji Islands	65 "	65 "	84	
	Norfolk Island	4 "	4 "	5	
		464 cases	464 cases	610	
Plate	Queensland	16 cases	16 cases	194	
	Western Australia...	5 "	5 "	70	
	New Caledonia	2 "	2 "	35	
			23 cases	23 cases	299

EXPORTS—continued.

Articles.	Countries to which Exported.	Quantities.			Value.			
		Produce and Manufacture of the Colony.	British, Foreign, and other Colonial Produce and Manufacture.	Total.	Produce and Manufacture of the Colony.	British, Foreign, and other Colonial Produce and Manufacture.	Total.	
					£	£	£	
Glassware ...	Great Britain ...		4 pkgs.	4 pkgs.		63	63	
	Victoria ...		157 "	157 "		632	632	
	South Australia ...		12 "	12 "		63	63	
	Tasmania ...		44 "	44 "		306	306	
	New Zealand ...		205 "	205 "		1,404	1,404	
	Queensland ...		781 "	781 "		6,553	6,553	
	South Sea Islands ...		15 "	15 "		98	98	
	New Caledonia ...		88 "	88 "		701	701	
	Fiji Islands ...		55 "	55 "		305	305	
Honolulu ...		5 pkgs.	32 "	37 "	30	413	443	
		5 pkgs.	1,393 pkgs.	1,398 pkgs.	30	10,538	10,568	
Glue... ..	Great Britain ...	401 pkgs.		401 pkgs.	924		924	
	Victoria ...	91 "		91 "	242		242	
	South Australia ...	48 "		48 "	108		108	
	Tasmania ...	6 "		6 "	16		16	
	New Zealand ...	9 "		9 "	36		36	
	Queensland ...	19 "		19 "	70		70	
Hong Kong ...	1 "		1 "	4		4		
		575 pkgs.		575 pkgs.	1,400		1,400	
Glue (pieces) ...	Great Britain ...	1,616 cwt.		1,616 cwt.	1,618		1,618	
Gold	Bars... ..	Great Britain ...	ozs. dwts.	10,178 19½	ozs. dwts.	42,243	42,243	
		Calcutta ...	1,352 19		1,352 19	5,520	5,520	
	Dust ...	Victoria ...	ozs. dwts.		311 7	1,250	1,250	
		Hong Kong ...	852 17		852 17	2,927	2,927	
			1,164 4		1,164 4	4,177	4,177	
	Quartz ...	Great Britain ...	105 pkgs.		105 pkgs.	2,370	2,370	
		Victoria ...	5 "		5 "	150	150	
			110 pkgs.		110 pkgs.	2,520	2,520	
	Barley ...	Victoria ...	3,076 bushels	3,924 bushels	7,000 bushels	494	730	1,224
New Zealand ...		92 "		92 "	14		14	
Queensland ...		154 "	80 bushels	234 "	28	14	42	
South Australia ...		2,323 "		2,323 "	327		327	
New Caledonia ...		119 "		119 "	25		25	
		5,764 bushels	4,004 bushels	9,768 bushels	888	744	1,632	
Maize ...	Victoria ...	606,133 bushels		606,133 bushels	95,736		95,736	
	South Australia ...	3,195 "		3,195 "	486		486	
	Tasmania ...	1,626 "		1,626 "	264		264	
	New Zealand ...	27,207 "		27,207 "	4,014		4,014	
	Queensland ...	191,048 "		191,048 "	35,329		35,329	
	New Caledonia ...	4,894 "		4,894 "	753		753	
Fiji Islands ...	4 "		4 "	1		1		
	834,107 bushels		834,107 bushels	136,583		136,583		
Grain	Pease (dried and split) ...	Victoria ...	88 pkgs.	88 pkgs.		110	110	
		South Australia ...	26 "	26 "		74	74	
		New Zealand ...	3 "	3 "		8	8	
		Queensland ...	176 "	176 "		387	387	
		New Caledonia ...	82 "	82 "		112	112	
		Fiji Islands ...	18 "	18 "		39	39	
	Honolulu ...	10 "	10 "		14	14		
			403 pkgs.	403 pkgs.		744	744	
	Oats... ..	Victoria ...	2,310 bushels	8,046 bushels	10,356 bushels	475	1,231	1,706
		South Australia ...		512 "	512 "		92	92
Queensland ...		3,068 bushels	3,909 "	7,037 "	520	611	1,131	
New Caledonia ...		174 "		174 "	31		31	
Fiji Islands ...			29 bushels	29 "		6	6	
Hong Kong ...			346 "	346 "		56	56	
	5,552 bushels	12,902 bushels	18,454 bushels	1,026	1,996	3,022		

STATISTICS—1877.

113

EXPORTS—continued.

Articles.	Countries. to which Exported.	Quantities.			Value.			
		Produce and Manufacture of the Colony.	British, Foreign and other Colonial Produce and Manufacture.	Total.	Produce and Manufacture of the Colony.	British, Foreign, and other Colonial Produce and Manufacture.	Total.	
Grain- contd.	Wheat	Great Britain ...	6,000 bushels	98,341 bushels	104,341 bushels	£ 1,500	£ 29,303	£ 30,803
		Victoria ...	16,206 "	3 "	16,209 "	3,839	1	3,840
		Queensland ...	4 "	4 "	1	1
		New Zealand	5,615 bushels	5,615 "	1,774	1,774
		San Francisco ...	4 bushels	4 "	1	1
	Tasmania ...	380 "	380 "	120	120	
			22,594 bushels	103,959 bushels	126,553 bushels	5,461	31,078	36,539
	Sharps	Queensland	509 cwt.	402 cwt.	911 cwt.	239	188	427
	Grindery	Victoria ...	5 pkgs.	4 pkgs.	9 pkgs.	45	58	103
		Tasmania ...	4 "	1 "	5 "	81	7	88
Queensland ...		33 "	197 "	230 "	705	1,230	1,935	
New Zealand ...		1 "	16 "	17 "	67	151	218	
New Caledonia	20 "	20 "	240	240	
Fiji Islands	1 "	1 "	4	4		
		43 pkgs.	239 pkgs.	282 pkgs.	898	1,690	2,588	
Guano	Victoria	*2,200 cwt.	2,200 cwt.	220	220	
	Queensland	539 "	539 "	357	357	
	New Zealand	120 "	120 "	67	67	
		2,859 cwt.	2,859 cwt.	644	644	
Gum	Great Britain	17 pkgs.	17 pkgs.	38	38	
	Victoria ...	1 "	1 "	7	7	
	Queensland ...	2 "	2 "	3	3	
		20 pkgs.	20 pkgs.	48	48	
Haberdashery	Great Britain	2 pkgs.	2 pkgs.	65	65	
	Victoria	2 "	2 "	52	52	
	New Zealand	1 "	1 "	2	2	
	Tasmania	1 "	1 "	6	6	
	Queensland	13 "	13 "	365	365	
	New Caledonia	1 "	1 "	5	5	
	Fiji Islands	6 "	6 "	105	105	
		26 pkgs.	26 pkgs.	600	600	
Hardware	Great Britain	9 pkgs.	9 pkgs.	126	126	
	Victoria ...	19 pkgs.	350 "	369 "	87	2,776	2,863	
	South Australia	36 "	36 "	404	404	
	Tasmania ...	34 pkgs.	108 "	142 "	127	421	548	
	New Zealand ...	12 "	940 "	952 "	100	6,548	6,648	
	Queensland ...	729 "	9,320 "	10,049 "	1,252	46,048	47,300	
	Western Australia...	1 "	1 "	2	2	
	South Sea Islands...	27 pkgs.	490 "	517 "	77	2,867	2,944	
	New Caledonia ...	116 "	2,568 "	2,684 "	218	7,267	7,485	
	Fiji Islands ...	58 "	3,949 "	4,007 "	174	8,780	8,954	
	Honolulu	51 "	51 "	716	716	
	Petropaulovski	9 "	9 "	36	36	
	San Francisco	5 "	5 "	37	37	
	Java	1 "	1 "	10	10	
Norfolk Island	20 "	20 "	79	79		
Hong Kong	1 pkg.	1 "	10	10		
		996 pkgs.	17,857 pkgs.	18,853 pkgs.	2,045	76,117	78,162	
Hats, Caps, & Bonnets	Victoria	6 cases	6 cases	130	130	
	Tasmania	2 "	2 "	24	24	
	Queensland	18 "	18 "	193	193	
	South Sea Islands...	6 "	6 "	68	68	
	New Caledonia	4 "	4 "	71	71	
	Fiji Islands	2 "	2 "	13	13	
	Mauritius	1 "	1 "	17	17	
		39 cases	39 cases	516	516	
Hay	Victoria ...	794 cwt.	120 cwt.	914 cwt.	186	34	220	
	South Australia	20 "	20 "	6	6	
	New Zealand ...	140 "	140 "	26	26	
	Queensland ...	14,817 "	2,573 cwt.	17,390 "	3,559	564	4,123	
	New Caledonia ...	3,105 "	410 "	3,515 "	689	98	787	
	South Sea Islands...	180 "	180 "	36	36	
	Hong Kong ...	40 "	40 "	8	8	
	Timor ...	320 "	320 "	70	70	
	Singapore ...	740 "	740 "	189	189	
	Fiji Islands	45 "	45 "	12	12	
		20,201 cwt.	3,103 cwt.	23,304 cwt.	4,781	696	5,477	

EXPORTS—continued.

Articles.	Countries to which Exported.	Quantities.			Value.			
		Produce and Manufacture of the Colony.	British, Foreign, and other Colonial Produce and Manufacture.	Total.	Produce and Manufacture of the Colony.	British, Foreign, and other Colonial Produce and Manufacture.	Total.	
Hide-cuttings ...	Great Britain ...	161 pkgs.	161 pkgs.	£ 509	£ 509	
Honey ...	Victoria ...	296 lbs.	200 lbs.	496 lbs.	7	7	14	
	Queensland ...	1,456 "	1,456 "	54	54	
	South Australia ...	48 "	48 "	2	2	
	Fiji Islands ...	344 "	344 "	14	14	
		2,144 lbs.	200 lbs.	2,344 lbs.	77	7	84	
Hoofs and Bones ...	Great Britain ...	9,236 cwt.	20 cwt.	9,256 cwt.	4,664	7	4,671	
	Victoria ...	190 "	190 "	82	82	
		9,426 cwt.	20 cwt.	9,446 cwt.	4,746	7	4,753	
Hops ...	Victoria	62,916 lbs.	62,916 lbs.	3,941	3,941	
	South Australia	16,405 "	16,405 "	793	793	
	New Zealand	1,206 "	1,206 "	75	75	
	Queensland	17,770 "	17,770 "	1,148	1,148	
	South Sea Islands...	120 "	120 "	9	9	
	New Caledonia	734 "	734 "	56	56	
		99,151 lbs.	99,151 lbs.	6,022	6,022	
Horns ...	Great Britain ...	233,392 No.	233,392 No.	3,690	3,690	
	Victoria ...	10,200 "	10,200 "	52	52	
		243,592 No.	243,592 No.	3,742	3,742	
Hair (Horse & Cow)..	Great Britain ...	62,189 lbs.	394 lbs.	62,583 lbs.	3,575	18	3,593	
	Victoria ...	23,744 "	23,744 "	1,199	1,199	
	Tasmania	300 lbs.	300 "	20	20	
	New Zealand	200 "	200 "	14	14	
	Queensland ...	395 lbs.	1,550 "	1,945 "	27	116	143	
	New Caledonia ...	150 "	150 "	8	8	
		86,478 lbs.	2,444 lbs.	88,922 lbs.	4,809	168	4,977	
Hosiery and Gloves ...	Victoria	1 case	1 case	9	9	
	New Zealand	3 cases	3 cases	135	135	
	Queensland	7 "	7 "	468	468	
	Brindisi	1 "	1 "	50	50	
			12 cases	12 cases	662	662
Houses (Wooden) ...	Queensland ...	1 No.	1 No.	80	80	
	New Caledonia ...	1 "	1 "	134	134	
	Fiji Islands ...	1 "	1 "	207	207	
			3 No.	3 No.	421	421
India-rubber Goods...	Great Britain	5 cases	5 cases	330	330	
	Victoria	5 "	5 "	67	67	
	Tasmania	2 "	2 "	22	22	
	Queensland	25 "	25 "	608	608	
			37 cases	37 cases	1,027	1,027
Instruments. Musical	Great Britain	1 case	1 case	10	10	
	Victoria	46 cases	46 cases	1,852	1,852	
	South Australia	2 "	2 "	32	32	
	Tasmania	10 "	10 "	417	417	
	New Zealand	88 "	88 "	3,286	3,286	
	Queensland	189 "	189 "	7,302	7,302	
	South Sea Islands...	3 "	3 "	119	119	
	New Caledonia	5 "	5 "	174	174	
	Fiji Islands	10 "	10 "	326	326	
	Honolulu	3 "	3 "	130	130	
	San Francisco	2 "	2 "	68	68	
			359 cases	359 cases	13,716	13,716
	Scientific	Great Britain	5 cases	5 cases	119	119
		Victoria	89 "	89 "	1,064	1,064
New Zealand	8 "	8 "	102	102	
Queensland	98 "	98 "	1,898	1,898	
South Sea Islands...		3 "	3 "	80	80	
New Caledonia	1 "	1 "	2	2	
Fiji Islands	5 "	5 "	135	135	
Western Australia..		2 "	2 "	40	40	
Honolulu	1 "	1 "	6	6	
			212 cases	212 cases	3,446	3,446

STATISTICS—1877.

115

EXPORTS—continued.

Articles.	Countries to which Exported.	Quantities.			Value.		
		Produce and Manufacture of the Colony.	British, Foreign, and other Colonial Produce and Manufacture.	Total.	Produce and Manufacture of the Colony.	British, Foreign, and other Colonial Produce and Manufacture.	Total.
					£	£	£
Iron and Steel...	Great Britain ...	20 cwt.	20 cwt.	20 cwt.	70	70	70
	Victoria ...	2,835 "	2,835 "	2,835 "	1,729	1,729	1,729
	Tasmania ...	42 "	42 "	42 "	40	40	40
	New Zealand ...	910 "	910 "	910 "	721	721	721
	Queensland ...	1,530 cwt.	13,971 "	15,501 "	852	8,158	9,010
	South Sea Islands...	72 "	72 "	72 "	48	48	48
	New Caledonia ...	1,987 "	1,987 "	1,987 "	1,480	1,480	1,480
	Fiji Islands ...	32 cwt.	194 "	226 "	10	157	167
	Honolulu ...	60 "	60 "	60 "	40	40	40
	Timor ...	40 "	40 "	40 "	30	30	30
		1,562 cwt.	20,131 cwt.	21,693 cwt.	862	12,473	13,335
Galvanized ...	Victoria ...	27 cwt.	27 cwt.	27 cwt.	53	53	53
	South Australia ...	40 "	40 "	40 "	60	60	60
	Tasmania ...	55 "	55 "	55 "	82	82	82
	New Zealand ...	1,164 "	1,164 "	1,164 "	1,645	1,645	1,645
	Queensland ...	6,852½ "	6,852½ "	6,852½ "	10,403	10,403	10,403
	New Caledonia ...	2,037 "	2,037 "	2,037 "	2,992	2,992	2,992
	South Sea Islands...	611 "	611 "	611 "	902	902	902
	Fiji Islands ...	454½ "	454½ "	454½ "	685	685	685
Honolulu ...	361 "	361 "	361 "	538	538	538	
		11,602 cwt.	11,602 cwt.	11,602 cwt.	17,360	17,360	17,360
Galvanized Manufactures	Victoria ...	2½ cwt.	2½ cwt.	2½ cwt.	5	5	5
	New Zealand ...	78½ "	78½ "	78½ "	105	105	105
	Queensland ...	108½ "	108½ "	108½ "	150	150	150
	Fiji Islands ...	36 "	36 "	36 "	69	69	69
		225½ cwt.	225½ cwt.	225½ cwt.	329	329	329
Old ...	Hong Kong ...	2,694 cwt.	2,694 cwt.	2,694 cwt.	740	740	740
Pipes ...	Victoria ...	389 No.	389 No.	389 No.	368	368	368
	New Zealand ...	265 "	265 "	265 "	145	145	145
	Queensland ...	530 "	530 "	530 "	393	393	393
	New Caledonia ...	93 "	93 "	93 "	47	47	47
		1,277 No.	1,277 No.	1,277 No.	953	953	953
Tanks ...	Victoria ...	105 No.	105 No.	105 No.	393	393	393
	New Zealand ...	5 "	5 "	5 "	16	16	16
	Queensland ...	40 "	40 "	40 "	151	151	151
	South Sea Islands...	4 "	4 "	4 "	16	16	16
	Fiji Islands ...	8 "	8 "	8 "	32	32	32
	Timor ...	35 "	35 "	35 "	140	140	140
	Norfolk Island ...	5 "	5 "	5 "	20	20	20
	Tasmania ...	1 "	1 "	1 "	4	4	4
		203 No.	203 No.	203 No.	772	772	772
Rails ...	New Caledonia ...	50 No.	50 No.	50 No.	22	22	22
Jams and Jellies ...	Great Britain ...	2,532 lbs.	2,532 lbs.	2,532 lbs.	86	86	86
	Victoria ...	84 lbs.	1,928 "	2,012 "	3	67	70
	South Australia ...	4,440 "	4,440 "	4,440 "	140	140	140
	Tasmania ...	72 "	72 "	72 "	3	3	3
	New Zealand ...	1,342 "	1,342 "	1,342 "	46	46	46
	Queensland ...	204,670 "	204,670 "	204,670 "	6,855	6,855	6,855
	New Caledonia ...	8,952 "	8,952 "	8,952 "	267	267	267
	South Sea Islands...	2,524 "	2,524 "	2,524 "	84	84	84
	Fiji Islands ...	11,944 "	11,944 "	11,944 "	399	399	399
	San Francisco ...	4,296 "	4,296 "	4,296 "	165	165	165
	Hong Kong ...	492 "	492 "	492 "	18	18	18
	Singapore ...	120 "	120 "	120 "	4	4	4
	China ...	1,104 "	1,104 "	1,104 "	37	37	37
	New Guinea ...	120 "	120 "	120 "	4	4	4
	Ceylon ...	60 "	60 "	60 "	2	2	2
	Java ...	60 "	60 "	60 "	2	2	2
	Norfolk Island ...	60 "	60 "	60 "	2	2	2
		84 lbs.	244,716 lbs.	244,800 lbs.	3	8,181	8,184

EXPORTS—continued.

Articles.	Countries to which Exported.	Quantities.			Value.			
		Produce and Manufacture of the Colony.	British, Foreign, and other Colonial Produce and Manufacture.	Total.	Produce and Manufacture of the Colony.	British, Foreign, and other Colonial Produce and Manufacture.	Total.	
Jewellery ...	Great Britain	4 cases	4 cases	805	805	
	Victoria	52 "	52 "	11,388	11,388	
	South Australia	6 "	6 "	307	307	
	New Zealand	5 "	5 "	520	520	
	Queensland	44 "	44 "	2,972	2,972	
	New Caledonia	4 "	4 "	251	251	
	Fiji Islands	4 "	4 "	347	347	
	Western Australia...	3 "	3 "	95	95	
	San Francisco	2 "	2 "	105	105	
	Madras	1 "	1 "	44	44	
			125 cases	125 cases	16,834	16,834	
Lampware ...	Victoria	5 pkgs.	5 pkgs.	35	35	
	Tasmania	1 "	1 "	10	10	
	New Zealand	69 "	69 "	416	416	
	Queensland	72 "	72 "	497	497	
	South Sea Islands...	5 "	5 "	35	35	
	New Caledonia	19 "	19 "	72	72	
	Fiji Islands	50 "	50 "	308	308	
Honolulu	20 "	20 "	150	150		
			241 pkgs.	241 pkgs.	1,523	1,523	
Lead ...	Great Britain ...	245 cwt.	245 cwt.	330	330	
	Victoria	72 cwt.	72 "	76	76	
	Queensland ...	12 cwt.	239 "	251 "	15	330	345	
	New Caledonia	58 "	58 "	81	81	
	Hong Kong	1,095 "	1,095 "	1,219	1,219	
		257 cwt.	1,464 cwt.	1,721 cwt.	345	1,706	2,051	
Lard ...	Great Britain ...	16½ cwt.	16½ cwt.	64	64	
	Queensland ...	1 "	1 "	3	3	
	Fiji Islands ...	3 "	3 "	9	9	
	New Caledonia ...	246½ "	246½ "	927	927	
	Honolulu ...	17½ "	17½ "	65	65	
		284 cwt.	284 cwt.	1,068	1,068	
Leather. { Unmanufactured	Great Britain ...	3,620 pkgs.	3,620 pkgs.	76,653	76,653	
	Victoria ...	112 "	36 pkgs.	148 "	1,542	1,191	2,733	
	South Australia ...	7 "	7 "	79	79	
	Tasmania ...	12 "	1 pkg.	13 "	217	11	228	
	New Zealand ...	91 "	17 pkgs.	108 "	2,825	1,027	3,852	
	Queensland ...	292 "	92 "	384 "	4,722	4,389	9,111	
	South Sea Islands... ..	12 "	12 "	326	326	
	New Caledonia ...	158 "	13 pkgs.	171 "	3,791	469	4,260	
	Fiji Islands ...	12 "	12 "	138	138	
	Honolulu ...	2 "	2 "	42	42	
	Mauritius ...	45 "	45 "	950	950	
	Singapore ...	13 "	53 pkgs.	66 "	101	761	862	
	Java ...	2 "	2 "	80	80	
			4,378 pkgs.	212 pkgs.	4,590 pkgs.	91,466	7,848	99,314
	Boots and Shoes	Great Britain	8 pkgs.	8 pkgs.	201	201
Victoria ...		42 pkgs.	686 "	728 "	1,030	8,166	9,196	
South Australia ...		8 "	2 "	10 "	220	56	276	
Tasmania ...		25 "	117 "	142 "	913	1,647	2,560	
New Zealand ...		68 "	170 "	238 "	2,076	2,376	4,452	
Queensland ...		1,846 "	1,258 "	3,104 "	52,334	18,784	71,118	
South Sea Islands... ..		8 "	6 "	14 "	141	72	213	
New Caledonia ...		54 "	25 "	79 "	1,066	404	1,470	
Fiji Islands ...		30 "	95 "	125 "	406	1,193	1,599	
Hong Kong	1 "	1 "	5	5	
Singapore ...		2 pkgs.	2 "	72	72	
Honolulu	1 pkg.	1 "	30	30	
			2,083 pkgs.	2,369 pkgs.	4,452 pkgs.	58,258	32,934	91,192
Lime-juice ...	Victoria	407 galls.	407 galls.	75	75	
	South Australia	280 "	280 "	31	31	
	Tasmania	125 "	125 "	15	15	
	New Zealand	38 "	38 "	8	8	
	Queensland	4,125 "	4,125 "	443	443	
	Honolulu	36 "	36 "	8	8	
			5,011 galls.	5,011 galls.	580	580	

EXPORTS—continued.

Articles.	Countries to which Exported.	Quantities.			Value.		
		Produce and Manufacture of the Colony.	British, Foreign, and other Colonial Produce and Manufacture.	Total.	Produce and Manufacture of the Colony.	British, Foreign, and other Colonial Produce and Manufacture.	Total.
Lime ...	Victoria ...	11 pkgs.	11 pkgs.	£ 2	£ 2
	Tasmania ...	1 "	1 "	1	1
	Fiji Islands	9 "	9 "	8	8
		21 pkgs.	21 pkgs.	11	11
Linen and Drapery ...	Great Britain	32 pkgs.	32 pkgs.	1,331	1,331
	Victoria	482 "	482 "	12,688	12,688
	Tasmania	380 "	380 "	11,943	11,943
	South Australia	25 "	25 "	1,113	1,113
	New Zealand	288 "	288 "	10,280	10,280
	Queensland	5,441 "	5,441 "	163,099	163,099
	Western Australia	1 "	1 "	10	10
	South Sea Islands	381 "	381 "	8,963	8,963
	New Caledonia	678 "	678 "	20,719	20,719
	Fiji Islands	1,109 "	1,109 "	29,632	29,632
Honolulu	6 "	6 "	269	269	
		8,823 pkgs.	8,823 pkgs.	260,047	260,047
Cattle ...	Victoria	55,785 No.	5,113 No.	60,898 No.	356,531	35,791	392,322
	Tasmania	716 "	716 "	5,622	5,622
	South Australia	4,321 "	4,321 "	38,901	38,901
	New Zealand	5 "	5 "	235	235
	Queensland	483 "	1 No.	484 "	12,203	50	12,253
	South Sea Islands	59 "	59 "	363	363
	New Caledonia	1,482 "	1,482 "	13,179	13,179
	Hong Kong	8 "	8 "	70	70
	Japan	5 "	5 "	100	100
	China	6 "	6 "	54	54
	Singapore	3 "	3 "	20	20
	Manila	2 "	2 "	16	16
			62,875 No.	5,114 No.	67,989 No.	427,294	35,841
Dogs ...	Victoria	10 No.	10 No.	107	107
	Queensland	33 "	33 "	171	171
		43 No.	43 No.	278	278
Goats ...	Fiji Islands	4 No.	4 No.	14	14
Horses ...	Victoria	3,777 No.	156 No.	3,933 No.	51,520	1,678	53,198
	South Australia	131 "	131 "	2,989	2,989
	Tasmania	4 "	4 "	120	120
	New Zealand	15 "	15 "	353	353
	Queensland	1,126 "	1 No.	1,127 "	26,686	100	26,786
	South Sea Islands	4 "	4 "	80	80
	New Caledonia	52 "	52 "	1,253	1,253
	Fiji Islands	24 "	24 "	618	618
	Hong Kong	11 "	11 "	590	590
	China	1 "	1 "	50	50
Singapore	2 "	2 "	80	80	
		5,147 No.	157 No.	5,304 No.	84,339	1,778	86,117
Pigs ...	Victoria	1,164 No.	1,164 No.	1,921	1,921
	Queensland	34 "	34 "	44	44
	South Sea Islands	15 "	15 "	32	32
		1,213 No.	1,213 No.	1,997	1,997
Sheep ...	Victoria	649,709 No.	649,709 No.	338,729	338,729
	South Australia	96,866 "	96,866 "	38,661	38,661
	Tasmania	1,040 "	1,040 "	548	548
	Queensland	59 "	298 No.	357 "	124	1,882	2,006
	South Sea Islands	218 "	218 "	93	93
	New Caledonia	2,662 "	2,662 "	1,828	1,828
	Fiji Islands	858 "	858 "	506	506
	San Francisco	6 No.	6 "	150	150
		751,412 No.	304 No.	751,716 No.	380,489	2,032	382,521
Poultry ...	Tasmania	19 coops	19 coops	44	44
	Queensland	73 "	73 "	254	254
	Fiji Islands	1 "	1 "	2	2
	New Caledonia	5 "	5 "	20	20
		98 coops	98 coops	320	320
Birds ...	Tasmania	1 case	1 case	5	5
	Queensland	1 "	1 "	6	6
			2 cases	2 cases	11

EXPORTS—continued.

Articles:	Countries to which Exported.	Quantities.			Value.		
		Produce and Manufacture of the Colony.	British, Foreign, and other Colonial Produce and Manufacture.	Total.	Produce and Manufacture of the Colony.	British, Foreign, and other Colonial Produce and Manufacture.	Total.
Machinery ...	Great Britain	26 pkgs.	26 pkgs.	£	£	£
	Victoria ...	24 pkgs.	183 "	207 "	144	2,233	2,377
	South Australia ...	1 "	1 "	2 "	200	250	450
	Tasmania ...	20 "	24 "	44 "	253	321	574
	New Zealand ...	17 "	48 "	65 "	131	399	530
	Queensland ...	233 "	754 "	987 "	1,153	7,362	8,515
	South Sea Islands...	11 "	4 "	15 "	69	78	147
	New Caledonia ...	19 "	365 "	384 "	46	2,150	2,196
	Fiji Islands ...	45 "	66 "	111 "	303	518	821
			370 pkgs.	1,471 pkgs.	1,841 pkgs.	2,299	14,328
Machines. { Sewing... Weighing	Victoria	148 cases	148 cases	1,263	1,263
	Tasmania	31 "	31 "	289	289
	New Zealand	69 "	69 "	623	623
	Queensland	236 "	236 "	2,303	2,303
	South Sea Islands...	5 "	5 "	39	39
	New Caledonia	18 "	18 "	154	154
	South Australia	2 "	2 "	16	16
	Fiji Islands	10 "	10 "	99	99
	Honolulu	1 "	1 "	10	10
	Norfolk Island	1 "	1 "	10	10
			521 cases	521 cases	4,806	4,806
	Victoria	8 pkgs.	8 pkgs.	65	65
	South Australia	8 "	8 "	71	71
	New Zealand	3 "	3 "	23	23
	Queensland	45 "	45 "	242	242
	South Sea Islands...	2 "	2 "	13	13
	New Caledonia	3 "	3 "	54	54
	Fiji Islands	1 "	1 "	7	7
	Honolulu	1 "	1 "	3	3
			71 pkgs.	71 pkgs.	478	478
Malt ...	Victoria	120 bshls.	120 bshls.	48	48
	Queensland	854 "	854 "	377	377
	New Caledonia	29 "	29 "	12	12
			1,003 bshls.	1,003 bshls.	437	437
Manganese ...	Great Britain	250 tons	250 tons	1,000	1,000
Marble ...	Victoria	12 pkgs.	12 pkgs.	80	80
	Tasmania	6 "	6 "	40	40
	New Zealand	1 "	1 "	50	50
	Queensland	3 "	3 "	30	30
			22 pkgs.	22 pkgs.	200	200
Matches ...	Great Britain	23 cases	23 cases	172	172
	Victoria	246 "	246 "	1,126	1,126
	South Australia	11 "	11 "	116	116
	Tasmania	6 "	6 "	28	28
	New Zealand	964 "	964 "	4,433	4,433
	Queensland	1,149 "	1,149 "	6,799	6,799
	South Sea Islands...	18 "	18 "	86	86
	New Caledonia	242 "	242 "	1,182	1,182
	Fiji Islands	97 "	97 "	515	515
				2,756 cases	2,756 cases	14,457
Mats and Matting ...	Victoria	20 bales	20 bales	31	31
	South Australia ...	3 bales	3 "	5	5
	Tasmania	36 bales	36 "	109	109
	New Zealand ...	15 bales	480 "	495 "	24	640	664
	Queensland ...	6 "	422 "	428 "	33	653	686
	South Sea Islands...	1 "	2 "	3 "	2	4	6
	New Caledonia ...	1 "	13 "	14 "	3	35	38
	Fiji Islands	14 "	14 "	32	32
			26 bales	987 bales	67	1,504	1,571
Metal (old) ...	Hong Kong	1,155 cwt.	1,155 cwt.	3,303	3,303
Military and Naval Stores ...	New Zealand	339 pkgs.	339 pkgs.	825	825
	Fiji Islands	3 "	3 "	6	6
				342 pkgs.	342 pkgs.	831
Minerals* ...	Great Britain	231 tons	231 tons	7,725	7,725

* Not classified.

STATISTICS—1877.

119

EXPORTS—continued.

Articles.	Countries to which Exported.	Quantities.			Value.		
		Produce and Manufacture of the Colony.	British, Foreign, and other Colonial Produce and Manufacture.	Total.	Produce and Manufacture of the Colony.	British, Foreign, and other Colonial Produce and Manufacture.	Total.
					£	£	£
Millinery	Great Britain		1 case	1 case		10	10
	Tasmania		1 "	1 "		36	36
	New Zealand		1 "	1 "		12	12
	Queensland		62 cases	62 cases		1,519	1,519
	New Caledonia		2 "	2 "		44	44
	Fiji Islands		3 "	3 "		49	49
			70 cases	70 cases		1,670	1,670
Missionary Goods ...	Queensland		15 pkgs.	15 pkgs.		321	321
	South Sea Islands...		304 "	304 "		809	809
			319 pkgs.	319 pkgs.		1,130	1,130
Manure	New Zealand	1,540 cwt.		1,540 cwt.	397		397
	Queensland	216 "		216 "	91		91
	Mauritius	6,945 "		6,945 "	2,037		2,037
		8,701 cwt.		8,701 cwt.	2,525		2,525
Mohair	Great Britain	1,224 lbs.		1,224 lbs.	110		110
Molasses and Treacle	Great Britain		280 cwt.	280 cwt.		140	140
	Victoria	8,713½ cwt.		8,713½ "	4,631		4,631
	South Australia	1,941 "		1,941 "	1,054		1,054
	Tasmania	28 "		28 "	14		14
	New Zealand	1,582½ "		1,582½ "	847		847
	Queensland	1,437½ "		1,437½ "	836		836
	South Sea Islands...	3 "		3 "	2		2
	New Caledonia	2 "		2 "	1		1
	Fiji Islands	10 "		10 "	5		5
	China	6½ "		6½ "	3		3
	Norfolk Island	5 "		5 "	3		3
		13,728 cwt.	280 cwt.	14,008 cwt.	7,396	140	7,536
Mustard	Victoria		6,360 lbs.	6,360 lbs.		334	334
	South Australia		180 "	180 "		8	8
	New Zealand		1,104 "	1,104 "		53	53
	Queensland		17,772 "	17,772 "		903	903
	South Sea Islands...		168 "	168 "		8	8
	New Caledonia		2,832 "	2,832 "		128	128
	Fiji Islands		1,592 "	1,592 "		65	65
	San Francisco		252 "	252 "		11	11
			30,260 lbs.	30,260 lbs.		1,510	1,510
Nails	Victoria		213 cwt.	213 cwt.		228	228
	South Australia		13 "	13 "		18	18
	Tasmania		4 "	4 "		16	16
	New Zealand		155 "	155 "		176	176
	Queensland		1,473 "	1,473 "		1,864	1,864
	South Sea Islands...		59 "	59 "		66	66
	New Caledonia		401 "	401 "		507	507
	Fiji Islands		235 "	235 "		264	264
	Timor		26 "	26 "		26	26
	Honolulu		2 "	2 "		4	4
Hong Kong		5 "	5 "		8	8	
	Norfolk Island		6 "	6 "		8	8
			2,592 cwt.	2,592 cwt.		3,185	3,185
Naptha and Gasoline	Victoria	3,506 galls.		3,506 galls.	273		273
Nickel Ore	Great Britain		11,190 cwt.	11,190 cwt.		23,800	23,800
	Victoria		6,197 "	6,197 "		9,950	9,950
	Singapore		2 "	2 "		3	3
			17,389 cwt.	17,389 cwt.		33,753	33,753
Nuts of all kinds, except Cocoa-nuts	Great Britain		531 lbs.	531 lbs.		18	18
	Victoria		5,195 "	5,195 "		129	129
	South Australia		296 "	296 "		9	9
	New Zealand		2,813 "	2,813 "		97	97
	Queensland		11,879 "	11,879 "		439	439
	South Sea Islands...		883 "	883 "		23	23
	New Caledonia		5,408 "	5,408 "		174	174
	Fiji Islands		50 "	50 "		2	2
	San Francisco		191 "	191 "		7	7
			27,246 lbs.	27,246 lbs.		898	898

EXPORTS—continued.

Articles.	Countries to which Exported.	Quantities.			Value.		
		Produce and Manufacture of the Colony.	British, Foreign, and other Colonial Produce and Manufacture.	Total.	Produce and Manufacture of the Colony.	British, Foreign, and other Colonial Produce and Manufacture.	Total.
Oakum	New Zealand	60 bales	60 bales	25	25		
	Queensland	41 "	41 "	41	41		
	South Sea Islands...	1 "	1 "	1	1		
	New Caledonia	36 "	36 "	37	37		
	Fiji Islands	27 "	27 "	26	26		
		165 bales	165 bales	130	130		
Oars	Tasmania	4 No.	4 No.	3	3		
	New Zealand	184 "	184 "	83	83		
	Queensland	10 No.	823 "	5	376	381	
	South Sea Islands...	70 "	70 "	35	35		
	New Caledonia	2 No.	310 "	1	121	122	
Fiji Islands	4 "	460 "	3	202	205		
		16 No.	1,851 No.	1,867 No.	9	820	829
Oatmeal	New Zealand	12 cwt.	12 cwt.	29	29		
	Queensland	1,526 "	1,526 "	1,727	1,727		
	Fiji Islands	8 "	8 "	13	13		
	New Caledonia	3 "	3 "	3	3		
Norfolk Island	1 "	1 "	1	1			
		1,550 cwt.	1,850 cwt.	1,773	1,773		
Black	Victoria	48 tuns	48 tuns	1,783	1,783		
	Queensland	3 "	3 "	116	116		
	Tasmania	1 "	1 "	35	35		
		52 tuns	52 tuns	1,934	1,934		
Cocoa-nut	Victoria	18 tuns	18 tuns	700	700		
	New Zealand	¼ "	¼ "	9	9		
	Queensland	¼ "	¼ "	10	10		
	New Caledonia	18½ "	18½ "	780	780		
		37 tuns	37 tuns	1,499	1,499		
Sperm	Great Britain	28 tuns	28 tuns	2,380	2,380		
Kerosene	Great Britain	312 galls.	312 galls.	34	34		
	Victoria	120 "	120 "	12	12		
	South Australia	16 galls.	1,280 "	1	112	113	
	New Zealand	2,000 "	26,520 "	150	2,653	2,803	
	Queensland	848 "	81,604 "	86	9,198	9,284	
	South Sea Islands...	88 "	4,024 "	10	461	471	
	New Caledonia	24 "	17,312 "	3	1,802	1,805	
	Fiji Islands	64 "	10,792 "	6	1,028	1,034	
	San Francisco	8 "	8 "	1	1	1	
	New Guinea	80 "	80 "	9	9	9	
	Hong Kong	16,000 galls.	96 "	1,200	11	1,211	
	Petropaulovski	40 "	40 "	5	5	5	
	China	144 "	144 "	16	16	16	
	Seagon (Cochin China)	8 "	8 "	1	1	1	
	Mauritius	16,000 galls.	16 "	1,200	2	1,202	
	Ceylon	32 "	32 "	4	4	4	
	Bankok	16 "	16 "	2	2	2	
	Java	64 "	64 "	6	6	6	
	Manila	24 "	24 "	3	3	3	
	Norfolk Island	24 "	24 "	3	3	3	
Japan	16 "	16 "	2	2	2		
Valparaiso	24 "	24 "	2	2	2		
		35,040 galls.	142,540 galls.	177,580 galls.	2,656	15,367	18,023
Oil	Great Britain	297½ galls.	297½ galls.	100	100		
	Victoria	122½ "	122½ "	26	26		
	South Australia	26½ "	26½ "	11	11		
	New Zealand	600½ "	600½ "	150	150		
	Queensland	4,667½ "	4,667½ "	1,178	1,178		
	South Sea Islands...	543¾ "	543¾ "	119	119		
	New Caledonia	1,284 "	1,284 "	280	280		
	Fiji Islands	603 "	603 "	159	159		
	San Francisco	2,956¼ "	2,956¼ "	635	635		
	Honolulu	6 "	6 "	2	2		
	Bankok	105 "	105 "	21	21		
	Java	140 "	140 "	28	28		
	Hong Kong	175 "	175 "	35	35		
	New Guinea	70 "	70 "	18	18		
		11,597¼ galls.	11,597¼ galls.	2,762	2,762		

STATISTICS—1877.

121

EXPORTS—continued.

Articles.	Countries to which Exported.	Quantities.			Value.		
		Produce and Manufacture of the Colony.	British, Foreign, and other Colonial Produce and Manufacture.	Total.	Produce and Manufacture of the Colony.	British, Foreign, and other Colonial Produce and Manufacture.	Total.
Oil <i>contd.</i>	Salad	Victoria ...	3 galls.	3 galls.	£	£	£
		South Australia ...	58 "	58 "	29	29	29
		New Zealand ...	59½ "	59½ "	33	33	33
		Queensland ...	839½ "	839½ "	473	473	473
		South Sea Islands...	16 "	16 "	8	8	8
		New Caledonia ...	7½ "	7½ "	4	4	4
		San Francisco ...	44 "	44 "	21	21	21
		Fiji Islands ...	55 "	55 "	33	33	33
		1,083½ galls.	1,083½ galls.	602	602
	All other	Great Britain ...	342 galls.	342 galls.	78	78
		Victoria ...	2,218 "	2,218 "	456	456
		New Zealand ...	71 galls.	1,625 "	18	403	421
		Tasmania ...	5 "	5 "	1	1
		South Australia ...	25 "	25 "	8	8
		Queensland ...	674 galls.	13,566 "	166	2,833	2,999
		South Sea Islands...	1,416 "	1,416 "	326	326
		New Caledonia ...	3,646 "	3,646 "	781	781
		Fiji Islands ...	10 galls.	1,212 "	2	302	304
		San Francisco ...	3,268 "	3,268 "	742	742
		Hong Kong ...	90 "	90 "	21	21
		China ...	226 "	226 "	45	45
		Timor ...	120 "	120 "	24	24
		Honolulu ...	14 "	14 "	5	5
		Seagon (Cochin China).	20 "	20 "	4	4
		Java ...	170 "	170 "	34	34
		Bankok ...	120 "	120 "	24	24
		Japan ...	40 "	40 "	9	9
		Mauritius ...	20 "	20 "	4	4
		New Guinea ...	45 "	45 "	9	9
		Callao ...	39 "	39 "	9	9
		755 galls.	28,227 galls.	186	6,118	6,304
	Oilmen's Stores	Victoria ...	5 cases	71 cases	15	143	158
		South Australia ...	151 "	132 "	333	318	651
		Tasmania ...	24 "	2 "	41	7	48
		New Zealand ...	5 "	72 "	15	220	235
		Queensland ...	135 "	2,889 "	308	8,150	8,458
		South Sea Islands...	4 "	120 "	9	226	235
		New Caledonia ...	16 "	125 "	34	314	348
		Fiji Islands ...	18 "	444 "	54	1,443	1,497
		Honolulu	1 "	2	2
		Norfolk Island	3 "	12	12
		358 cases	3,859 cases	809	10,835	11,644
	Oil-cloth	Victoria ...	3 pkgs.	3 pkgs.	6	6
		Queensland ...	4 "	4 "	47	47
		South Sea Islands...	1 "	1 "	4	4
		8 pkgs.	8 pkgs.	57	57
	Oil-cake	Queensland ...	3 pkgs.	3 pkgs.	8	8
	Onions	Victoria ...	4 cwt.	20 cwt.	2	18	20
		South Australia ...	32 "	28	28
		New Zealand ...	33 "	16	16
		Queensland ...	3,257 "	4,718 cwt.	1,805	2,102	3,907
		New Caledonia ...	1,019 "	914 "	599	560	1,159
		Fiji Islands ...	45 "	31 "	29	18	47
		4,390 cwt.	5,683 cwt.	2,479	2,698	5,177
	Opium	Great Britain ...	210 lbs.	210 lbs.	210	210
		Victoria ...	104 "	104 "	100	100
		New Zealand ...	192 "	192 "	480	480
		Queensland ...	2,223 "	2,223 "	5,697	5,697
		Hong Kong ...	97 "	97 "	147	147
		Fiji Islands ...	16 "	16 "	40	40
		2,842 lbs.	2,842 lbs.	6,674	6,674
	Oysters (fresh)	Victoria ...	16,360 bags	8 bags	14,914	9	14,923
		Tasmania ...	181 "	168	168
		New Zealand ...	18 "	18	18
		New Caledonia ...	13 "	13	13
		Fiji Islands ...	13 "	13	13
		16,585 bags	8 bags	15,126	9	15,135

EXPORTS—continued.

Articles.	Countries to which Exported.	Quantities.			Value.		
		Produce and Manufacture of the Colony.	British, Foreign, and other Colonial Produce and Manufacture.	Total.	Produce and Manufacture of the Colony.	British, Foreign, and other Colonial Produce and Manufacture.	Total.
Paints	Great Britain		1 cwt.	1 cwt.	£	3	3
	Victoria		37 "	37 "		62	62
	Tasmania		10 "	10 "		15	15
	New Zealand		211 "	211 "		357	357
	Queensland		804 "	804 "		1,513	1,513
	South Sea Islands		86 "	86 "		172	172
	New Caledonia		88½ "	88½ "		151	151
	Fiji Islands		98 "	98 "		200	200
	China		14½ "	14½ "		28	28
	Hong Kong		2 "	2 "		4	4
	San Francisco		8½ "	8½ "		15	15
New Guinea		1 "	1 "		2	2	
Japan		1 "	1 "		2	2	
			1,362 cwt.	1,362 cwt.		2,524	2,524
Paper-hangings	Victoria		3 pkgs.	3 pkgs.		8	8
	New Zealand		24 "	24 "		198	198
	Queensland		26 "	26 "		170	170
	Fiji Islands		1 "	1 "		9	9
			54 pkgs.	54 pkgs.		385	385
Pearl Barley	Victoria		118 cwt.	118 cwt.		126	126
	South Australia		1 "	1 "		1	1
	Queensland		126 "	126 "		145	145
	New Caledonia		1 "	1 "		1	1
	Fiji Islands		1 "	1 "		1	1
			247 cwt.	247 cwt.		274	274
Pearl Shell	Great Britain		649,034 lbs.	649,034 lbs.		36,841	36,841
	Victoria		35,532 "	35,532 "		1,450	1,450
	San Francisco		9,414 "	9,414 "		640	640
			693,980 lbs.	693,980 lbs.		38,931	38,931
Pea-nut	Victoria		144 cwt.	144 cwt.		129	129
	Queensland		30 "	30 "		27	27
			174 cwt.	174 cwt.		156	156
Paraffine Wax	Great Britain	355 cwt.		355 cwt.	300		300
Pepper and Spices	Great Britain		1,512 lbs.	1,512 lbs.		76	76
	Victoria		26,553 "	26,553 "		1,181	1,181
	South Australia		305 "	305 "		15	15
	Tasmania		72 "	72 "		3	3
	New Zealand		13,610 "	13,610 "		488	488
	Queensland		12,172 "	12,172 "		460	460
	South Sea Islands		40 "	40 "		1	1
	New Caledonia		11,632 "	11,632 "		404	404
	Fiji Islands		60 "	60 "		2	2
			65,956 lbs.	65,956 lbs.		2,630	2,630
Perambulators	New Zealand	11 pkgs.		11 pkgs.	79		79
	Queensland	19 "	6 pkgs.	25 "	134	45	179
	Fiji Islands	6 "		6 "	27		27
	New Caledonia	5 "		5 "	7		7
		41 pkgs.	6 pkgs.	47 pkgs.	247	45	292
Perfumery	Victoria		4 pkgs.	4 pkgs.		58	58
	New Zealand		26 "	26 "		62	62
	Queensland		14 "	14 "		114	114
	Tasmania		5 "	5 "		20	20
	New Caledonia		4 "	4 "		14	14
	South Sea Islands		3 "	3 "		9	9
			56 pkgs.	56 pkgs.		277	277
Phormium Tenax	Victoria		80 bales	80 bales		84	84
	Queensland		584 "	584 "		1,205	1,205
			664 bales	664 bales		1,289	1,289

STATISTICS—1877.

123

EXPORTS—continued.

Articles.	Countries to which Exported.	Quantities.			Value.		
		Produce and Manufacture of the Colony.	British, Foreign, and other Colonial Produce and Manufacture.	Total.	Produce and Manufacture of the Colony.	British, Foreign, and other Colonial Produce and Manufacture.	Total.
Photographic Materials	Victoria	5 pkgs.	5 pkgs.	£	£ 36	£ 36
	New Zealand	1 "	1 "	4	4
	Queensland	36 "	36 "	281	281
	South Sea Islands...	1 "	1 "	11	11
	New Caledonia	7 "	7 "	77	77
	Fiji Islands...	3 "	3 "	31	31
			53 pkgs.	53 pkgs.		440	440
Pickles and Sauces ...	Great Britain	10 cases	10 cases	13	13
	Victoria	78 "	78 "	78	78
	New Zealand	37 "	37 "	50	50
	South Australia	69 "	69 "	153	153
	Tasmania	14 "	14 "	19	19
	Queensland	3,172 "	3,172 "	5,584	5,584
	South Sea Islands...	41 "	41 "	56	56
	New Caledonia	201 "	201 "	282	282
	Fiji Islands	120 "	120 "	182	182
	San Francisco	90 "	90 "	143	143
	China	16 "	16 "	27	27
	Honolulu	7 "	7 "	16	16
	Timor	6 "	6 "	6	6
	Hong Kong	5 "	5 "	9	9
	Seagon (Cochin China)	1 "	1 "	1	1
New Guinea	2 "	2 "	3	3	
Petropaulovski	1 "	1 "	2	2	
Japan	1 "	1 "	2	2	
			3,871 cases	3,871 cases		6,626	6,626
Pictures and Paintings	Great Britain ...	5 pkgs.	7 pkgs.	12 pkgs.	116	166	282
	Victoria ...	8 "	35 "	43 "	105	617	722
	South Australia	1 "	1 "	15	15
	Tasmania ...	1 pkg.	5 "	6 "	3	72	75
	New Zealand ...	4 pkgs.	11 "	15 "	77	167	244
	Queensland ...	2 "	28 "	30 "	14	290	304
	New Caledonia	2 "	2 "	25	25
	Fiji Islands	7 "	7 "	101	101
	Calcutta ...	1 pkg.	1 "	30	30
	San Francisco ...	1 "	1 pkg.	2 "	5	2	7
Hong Kong	2 pkgs.	2 "	12	12	
		22 pkgs.	99 pkgs.	121 pkgs.	350	1,467	1,817
Pipes (Tobacco) ...	Victoria	8 cases	8 cases	108	108
	South Australia	12 "	12 "	22	22
	Tasmania	2 "	2 "	2	2
	New Zealand	39 "	39 "	38	38
	Queensland	887 "	887 "	1,074	1,074
	New Caledonia	255 "	255 "	221	221
	Fiji Islands	104 "	104 "	94	94
South Sea Islands...	254 "	254 "	166	166	
			1,561 cases	1,561 cases		1,725	1,725
Pitch, Tar, and Resin	New Zealand ...	39 pkgs.	25 pkgs.	64 pkgs.	14	33	47
	Queensland ...	203 "	471 "	674 "	108	683	791
	South Sea Islands...	4 "	5 "	9 "	6	2	8
	New Caledonia ...	66 "	58 "	124 "	75	83	158
	Fiji Islands ...	79 "	17 "	96 "	46	21	67
		391 pkgs.	576 pkgs.	967 pkgs.	249	822	1,071
Plants and Seeds ...	Great Britain ...	66 pkgs.	791 pkgs.	857 pkgs.	480	575	1,055
	Victoria ...	1,376 "	83 "	1,459 "	3,906	524	4,430
	South Australia ...	23 "	20 "	43 "	39	120	159
	Tasmania ...	89 "	89 "	224	224
	New Zealand ...	293 "	78 pkgs.	371 "	737	1,336	2,073
	Queensland ...	907 "	265 "	1,172 "	2,863	948	3,811
	South Sea Islands...	8 "	8 "	24	24
	New Caledonia ...	36 "	25 pkgs.	61 "	119	128	247
	Fiji Islands ...	28 "	8 "	36 "	77	32	109
	Calcutta ...	5 "	5 "	43	43
	Honolulu ...	7 "	7 "	57	57
	San Francisco ...	201 "	23 pkgs.	224 "	190	170	360
	Western Australia..	14 "	14 "	135	135
	Java ...	2 "	2 "	8	8
	France ...	1 "	1 "	3	3
Madras ...	2 "	2 "	3	3	
Singapore ...	2 "	2 "	8	8	
Norfolk Island ...	2 "	2 "	8	8	
		3,062 pkgs.	1,293 pkgs.	4,355 pkgs.	8,924	3,833	12,757

EXPORTS—continued.

Articles.	Countries to which Exported.	Quantities.			Value.		
		Produce and Manufacture of the Colony.	British, Foreign, and other Colonial Produce and Manufacture.	Total.	Produce and Manufacture of the Colony.	British, Foreign, and other Colonial Produce and Manufacture.	Total.
Plate, Silver ...	Great Britain ...		4 cases	4 cases	£	307	307
	Victoria ...		1 "	1 "		71	71
	Queensland ...		6 "	6 "		201	201
			11 cases	11 cases		579	579
Plated-ware ...	Great Britain ...		3 cases	3 cases		270	270
	Victoria ...		15 "	15 "		306	306
	South Australia ...		1 "	1 "		85	85
	Tasmania ...		1 "	1 "		30	30
	New Zealand ...		9 "	9 "		181	181
	Queensland ...		40 "	40 "		1,210	1,210
	Fiji Islands ...		2 "	2 "		27	27
			71 cases	71 cases		2,109	2,109
Potatoes ...	Victoria ...	50 cwt.	193 cwt.	243 cwt.	12	144	156
	South Australia ...	87 "	80 "	167 "	29	21	50
	New Zealand ...	40 "	220 "	260 "	9	51	60
	Queensland ...	18,593 "	43,013 "	61,606 "	5,189	10,792	15,981
	South Sea Islands ...	112 "		112 "	26		26
	New Caledonia ...	4,375 "	7,490 cwt.	11,865 "	1,282	2,006	3,288
	Fiji Islands ...	157 "	245 "	402 "	42	57	99
	Ceylon ...	34 "		34 "	11		11
	Mauritius ...		37 cwt.	37 "		10	10
	Norfolk Island ...		20 "	20 "		4	4
			23,448 cwt.	51,298 cwt.	74,746 cwt.	6,600	13,085
Preserves ...	Great Britain ...		684 lbs.	684 lbs.		31	31
	Victoria ...		13,861 "	13,861 "		635	635
	Tasmania ...		251 "	251 "		15	15
	South Australia ...		2,592 "	2,592 "		131	131
	New Zealand ...		4,640 "	4,640 "		223	223
	Queensland ...	2,406 lbs.	67,393 "	69,799 "	70	3,248	3,318
	South Sea Islands ...		548 "	548 "		23	23
	New Caledonia ...		1,812 "	1,812 "		81	81
	Fiji Islands ...		4,864 "	4,864 "		215	215
	San Francisco ...		804 "	804 "		34	34
	Honolulu ...		180 "	180 "		10	10
	Java ...		144 "	144 "		6	6
	China ...		48 "	48 "		2	2
		2,406 lbs.	97,821 lbs.	100,227 lbs.	70	4,654	4,724
Printing Materials ...	Great Britain ...		23 pkgs.	23 pkgs.		100	100
	Victoria ...		67 "	67 "		781	781
	Tasmania ...		1 "	1 "		7	7
	New Zealand ...		49 "	49 "		829	829
	Queensland ...		240 "	240 "		2,847	2,847
	South Sea Islands ...		18 "	18 "		300	300
	New Caledonia ...		1 "	1 "		4	4
Fiji Islands ...		8 "	8 "		83	83	
			407 pkgs.	407 pkgs.		4,951	4,951
Pyrites ...	Great Britain ...	332 cwt.		332 cwt.	1,980		1,980
Bacon ...	Victoria ...	487 lbs.		487 lbs.	24		24
	South Australia ...	764 "		764 "	32		32
	Queensland ...	71,600 "	18,903 lbs.	90,503 "	2,573	917	3,490
	South Sea Islands ...	56 "	158 "	214 "	1	8	9
	New Caledonia ...	11,296 "	1,881 "	13,177 "	438	94	532
	Fiji Islands ...	2,460 "	42 "	2,502 "	95	2	97
	China ...		182 "	182 "		10	10
	Mauritius ...		23 "	23 "		1	1
	Petropaulovski ...		23 "	23 "		1	1
	New Guinea ...		106 "	106 "		6	6
			86,663 lbs.	21,318 lbs.	107,981 lbs.	3,163	1,039
Provisions. Beef ...	Victoria ...	91 cwt.		91 cwt.	115		115
	South Australia ...	268 "		268 "	345		345
	Tasmania ...	114 "		114 "	143		143
	Queensland ...	1,352 "		1,352 "	1,799		1,799
	South Sea Islands ...	444 "		444 "	608		608
	New Caledonia ...	1,359 "		1,359 "	1,849		1,849
	Fiji Islands ...	776 "		776 "	1,067		1,067
	Honolulu ...	2 "		2 "	3		3
	Java ...	150 "		150 "	225		225
	Mauritius ...	2,773 "		2,773 "	3,536		3,536
Japan ...	81 "		81 "	112		112	
		7,410 cwt.		7,410 cwt.	9,802		9,802

STATISTICS—1877.

125

EXPORTS—continued.

Articles.	Countries to which Exported.	Quantities.			Value.		
		Produce and Manufacture of the Colony.	British, Foreign, and other Colonial Produce and Manufacture.	Total.	Produce and Manufacture of the Colony.	British, Foreign, and other Colonial Produce and Manufacture.	Total.
Chinese	Victoria ...		27 pkgs.	27 pkgs.	£	70	70
	New Zealand ...		9 "	9 "		14	14
	Queensland ...		229 "	229 "		287	287
	South Sea Islands...		1 "	1 "		2	2
			266 pkgs.	266 pkgs.		373	373
Hams	Great Britain ...		557 lbs.	557 lbs.		39	39
	Victoria ...	247 lbs.	1,740 "	1,987 "	10	93	103
	South Australia ...		2,719 "	2,719 "		156	156
	New Zealand ...		250 "	250 "		14	14
	Queensland ...	1,111 lbs.	32,083 "	33,194 "	47	1,816	1,863
	New Caledonia ...		5,284 "	5,284 "		304	304
	South Sea Islands...		688 "	688 "		35	35
	Fiji Islands ...		1,738 "	1,738 "		99	99
	San Francisco ...		487 "	487 "		31	31
	Timor ...	450 lbs.		450 "	20		20
	China ...		47 lbs.	47 "		3	3
	Ceylon ...		93 "	93 "		6	6
	Java ...		510 "	510 "		32	32
Calcutta ...		67 "	67 "		3	3	
Hong Kong ...		423 "	423 "		27	27	
		1,808 lbs.	46,686 lbs.	48,494 lbs.	77	2,658	2,735
Pork	Victoria ...	70 cwt.		70 cwt.	157		157
	South Australia ...	5 "		5 "	15		15
	Queensland ...	75 "		75 "	163		163
	South Sea Islands...	7 "		7 "	17		17
	New Caledonia ...	96 "		96 "	229		229
	Mauritius ...	60 "		60 "	140		140
		313 cwt.		313 cwt.	721		721
Preserved Meats and Extracts	Great Britain ...	60,131 pkgs.	19,698 pkgs.	79,829 pkgs.	116,189	39,376	155,565
	Victoria ...	2,322 "	1 "	2,323 "	5,350	3	5,353
	South Australia ...	399 "		399 "	984		984
	Tasmania ...	1 "		1 "	1		1
	New Zealand ...	82 "	3 pkgs.	85 "	193	6	199
	Queensland ...	154 "	7 "	161 "	376	24	400
	South Sea Islands...	341 "	4 "	345 "	839	12	851
	New Caledonia ...	650 "	11 "	662 "	1,529	46	1,575
	Fiji Islands ...	277 "	12 "	288 "	581	26	607
	Hong Kong ...	117 "	50 "	167 "	283	75	358
	Singapore ...	2 "	580 "	582 "	6	870	876
Madras ...	3 "		3 "	4		4	
Honolulu ...		60 pkgs.	60 "		108	108	
		64,479 pkgs.	20,426 pkgs.	84,905 pkgs.	126,335	40,546	166,881
Tongues	Great Britain ...	1 cwt.		1 cwt.	3		3
	New Zealand ...	3 "		3 "	6		6
	Fiji Islands ...	11 "		11 "	26		26
	South Sea Islands...	5 "		5 "	12		12
		20 cwt.		20 cwt.	47		47
Marrow	Great Britain ...	72 pkgs.		72 pkgs.	226		226
Vegetables (Preserved)	Victoria ...		82 pkgs.	82 pkgs.		160	160
	South Australia ...		11 "	11 "		22	22
	Queensland ...		903 "	903 "		1,596	1,596
			996 pkgs.	996 pkgs.		1,778	1,778
Vegetables (Green)	Victoria ...	10 pkgs.		10 pkgs.	16		16
	South Australia ...	7 "		7 "	7		7
	Tasmania ...	10 "		10 "	5		5
	New Zealand ...	2 "		2 "	2		2
	Queensland ...	189 "		189 "	171		171
	South Sea Islands...	11 "		11 "	7		7
	New Caledonia ...	5 "		5 "	4		4
Fiji Islands ...	11 "		11 "	12		12	
		245 pkgs.		245 pkgs.	224		224
Pulu	Victoria ...		140 bales	140 bales		320	320
	New Zealand ...		1 "	1 "		3	3
	Queensland ...		46 "	46 "		128	128
	Tasmania ...		13 "	13 "		32	32
	New Caledonia ...		5 "	5 "		13	13
			205 bales	205 bales		496	496

EXPORTS—continued.

Articles.	Countries to which Exported.	Quantities.			Value.		
		Produce and Manufacture of the Colony.	British, Foreign, and other Colonial Produce and Manufacture.	Total.	Produce and Manufacture of the Colony.	British, Foreign, and other Colonial Produce and Manufacture.	Total.
					£	£	£
Quicksilver ...	Victoria ...		665 bottles	665 bottles		6,239	6,239
	Queensland ...		99 "	99 "		991	991
	New Caledonia ...		3 "	3 "		30	30
			767 bottles	767 bottles		7,260	7,260
Rags ...	Great Britain ...	542 pkgs.		542 pkgs.	2,337		2,337
	Victoria ...	52 "		52 "	113		113
	New Zealand ...	70 "		70 "	87		87
		664 pkgs.		664 pkgs.	2,537		2,537
Rattans and Canes ...	Great Britain ...		100 pkgs.	100 pkgs.		400	400
	Queensland ...		59 "	59 "		51	51
	New Zealand ...	15 pkgs.		28 "	15		23
	Tasmania ...		10 "	10 "		15	15
		15 pkgs.	182 pkgs.	197 pkgs.	15	474	489
Regulus ...	Great Britain ...	7,207 cwt.		7,207 cwt.	17,045		17,045
Rice ...	Great Britain ...		25 cwt.	25 cwt.		26	26
	Victoria ...		46 "	46 "		55	55
	Tasmania ...		1 "	1 "		1	1
	New Zealand ...		1,262½ "	1,262½ "		1,266	1,266
	South Australia ...		82½ "	82½ "		78	78
	Queensland ...		12,275 "	12,275 "		12,019	12,019
	South Sea Islands ...		521½ "	521½ "		501	501
	Fiji Islands ...		377 "	377 "		378	378
	Hong Kong ...		186½ "	186½ "		188	188
	China ...		35 "	35 "		36	36
	Ceylon ...		24½ "	24½ "		18	18
	Calcutta ...		1 "	1 "		1	1
	Petropaulovski ...		36 "	36 "		36	36
	Seagon (Cochin China) ...		10½ "	10½ "		8	8
	San Francisco ...		244½ "	244½ "		247	247
	New Guinea ...		4 "	4 "		4	4
	Mauritius ...		2½ "	2½ "		3	3
	Japan ...		10 "	10 "		10	10
	Java ...		2 "	2 "		2	2
	Manila ...		1 "	1 "		1	1
Norfolk Island ...		52½ "	52½ "		58	58	
Callao ...		1 "	1 "		1	1	
New Caledonia ...		12,019 "	12,019 "		9,900	9,900	
			27,220 cwt.	27,220 cwt.		24,837	24,837
Saddlery and Harness	Great Britain ...	2 pkgs.	1 pkg.	3 pkgs.	22	24	46
	Victoria ...	41 "	30 pkgs.	71 "	702	463	1,165
	South Australia ...	6 "	1 "	7 "	136	28	164
	Tasmania ...	7 "	5 "	12 "	235	31	266
	New Zealand ...	106 "	16 "	122 "	3,520	318	3,838
	Queensland ...	441 "	107 "	548 "	7,688	1,850	9,538
	South Sea Islands ...	21 "	1 "	22 "	151	36	187
	New Caledonia ...	23 "	9 "	32 "	392	114	506
	Fiji Islands ...	14 "	14 "	28 "	281	415	696
	Honolulu ...	23 "		23 "	657		657
Singapore ...	3 "		3 "	46		46	
		687 pkgs.	184 pkgs.	871 pkgs.	13,830	3,279	17,109
Safes (Iron) ...	Victoria ...		2 No.	2 No.		86	86
	South Australia ...		1 "	1 "		65	65
	Queensland ...		10 "	10 "		358	358
	Fiji Islands ...		1 "	1 "		9	9
	New Zealand ...		3 "	3 "		28	28
	Tasmania ...		3 "	3 "		47	47
	Honolulu ...		2 "	2 "		14	14
New Caledonia ...		1 "	1 "		25	25	
			23 No.	23 No.		632	632
Sago ...	Victoria ...		1,235 lbs.	1,235 lbs.		17	17
	South Australia ...		264 "	264 "		4	4
	New Zealand ...		4,216 "	4,216 "		68	68
	Queensland ...		15,958 "	15,958 "		264	264
	Fiji Islands ...		258 "	258 "		4	4
			21,931 lbs.	21,931 lbs.		357	357
Silver Lead Ore ...	South Australia ...	20 tons		20 tons	310		310

STATISTICS—1877.

127

EXPORTS—continued.

Articles.	Countries. to which Exported.	Quantities.			Value.		
		Produce and Manufacture of the Colony.	British, Foreign, and other Colonial Produce and Manufacture.	Total.	Produce and Manufacture of the Colony.	British, Foreign, and other Colonial Produce and Manufacture.	Total.
					£	£	£
Salt	South Australia	54½ cwt.	54½ cwt.	12	12
	New Zealand	506 "	506 "	80	80
	Queensland	34,628½ "	34,628½ "	5,290	5,290
	South Sea Islands...	139½ "	139½ "	29	29
	New Caledonia	7,195 "	7,195 "	1,213	1,213
	Great Britain	60 "	60 "	10	10
	Hong Kong	3 "	3 "	1	1
	Fiji Islands	447½ "	447½ "	107	107
San Francisco	28½ "	28½ "	9	9	
			43,062 cwt.	43,062 cwt.	6,751	6,751
Salt (Rock)	Victoria	5 cwt.	5 cwt.	2	2
	Tasmania	100 "	100 "	15	15
	New Zealand	140 "	140 "	21	21
	Queensland	2,237 "	2,237 "	336	336
	South Sea Islands...	37 "	37 "	6	6
	New Caledonia	10 "	10 "	2	2
	Fiji Islands	15 "	15 "	3	3
	San Francisco	100 "	100 "	15	15
Norfolk Island	50 "	50 "	9	9	
			2,694 cwt.	2,694 cwt.	409	409
Saltpetre	New Zealand	5 cwt.	5 cwt.	9	9
	Queensland	19 "	19 "	31	31
	New Caledonia	2 "	2 "	3	3
	Fiji Islands	1 "	1 "	2	2
			27 cwt.	27 cwt.	45	45
Sarsaparilla	Victoria	97 galls.	97 galls.	106	106
	South Australia	32 "	32 "	32	32
	Tasmania	24 "	24 "	26	26
	New Zealand	82½ "	82½ "	87	87
	Queensland	1,790½ "	1,790½ "	1,892	1,892
	New Caledonia	10 galls.	79 "	89 "	8	82	90
	South Sea Islands...	2 "	2 "	2	2
Fiji Islands	3 galls.	31½ "	34½ "	3	38	41	
		13 galls.	2,138 galls.	2,151 galls.	11	2,265	2,276
Shale (Kerosene)	Great Britain	445 tons	445 tons	1,116	1,116
	Victoria	2,295 "	2,295 "	7,643	7,643
	Tasmania	111 "	111 "	347	347
	New Zealand	131 "	131 "	441	441
	Queensland	48 "	48 "	108	108
	San Francisco	912 "	912 "	2,736	2,736
	Singapore	45 "	45 "	145	145
	China	70 "	70 "	227	227
	Valparaiso... ..	610 "	610 "	1,400	1,400
		4,667 tons	4,667 tons	14,163	14,163
Ship Chandlery	Victoria	4 pkgs.	4 pkgs.	47	47
	South Australia	2 "	2 "	10	10
	New Zealand	13 "	13 "	122	122
	Queensland	315 "	315 "	2,713	2,713
	South Sea Islands...	3 "	3 "	12	12
	New Caledonia	9 "	9 "	91	91
	Fiji Islands	103 "	103 "	511	511
Timor	6 "	6 "	300	300	
			455 pkgs.	455 pkgs.	3,806	3,806
Shooks and Staves	Victoria	444 pkgs.	444 pkgs.	100	100
	South Australia	73 "	73 "	50	50
	New Zealand	100 "	100 "	54	54
	Queensland	1,504 "	205 pkgs.	1,709 "	751	121	872
		2,121 pkgs.	205 pkgs.	2,326 pkgs.	955	121	1,076
Silks	Victoria	5 cases	5 cases	250	250
	New Zealand	1 "	1 "	6	6
	Queensland	48 "	48 "	1,812	1,812
	Fiji Islands	1 "	1 "	40	40
	Western Australia...	2 "	2 "	40	40
			57 cases	57 cases	2,148	2,148
Silk Cocoons	Great Britain	1 pkg.	1 pkg.	25	25

STATISTICS—1877.

EXPORTS—continued.

Articles.	Countries to which Exported.	Quantities.			Value.			
		Produce and Manufacture of the Colony.	British, Foreign, and other Colonial Produce and Manufacture.	Total.	Produce and Manufacture of the Colony.	British Foreign, and other Colonial Produce and Manufacture.	Total.	
Silver...	Great Britain ...	ozs. dwts. 31,409 1	ozs. dwts. 31,409 1	£ 6,673	£	£ 6,673	
Skins.	Horned Cattle	Great Britain ...	44,718 No.	5,496 No.	50,214 No.	43,312	5,510	48,822
		Victoria ...	56,994 "	56,994 "	51,219	51,219
		South Australia ...	665 "	665 "	373	373
		Tasmania ...	864 "	90 No.	954 "	881	90	971
		Queensland ...	1,542 "	1,542 "	1,530	1,530
			104,783 No.	5,586 No.	110,369 No.	97,315	5,600	102,915
	Horse ...	Great Britain ...	2,471 No.	2,471 No.	1,013	1,013
		Tasmania ...	158 "	158 "	31	31
			2,629 No.	2,629 No.	1,044	1,044
	Sheep ...	Great Britain ...	101 bndls.	44 bndls.	145 bndls.	1,464	660	2,124
Victoria ...		8,789 "	8,789 "	31,447	31,447	
South Australia ...		136 "	136 "	719	719	
	Queensland ...	300 "	300 "	470	470	
		9,326 bndls.	44 bndls.	9,370 bndls.	34,100	660	34,760	
Kangaroo ...	Victoria ...	1,564 bndls.	1,564 bndls.	1,690	1,690	
	Great Britain ...	6 "	5 bndls.	11 "	71	61	132	
		1,570 bndls.	5 bndls.	1,575 bndls.	1,761	61	1,822	
Opossum ...	Great Britain ...	2 bndls.	1 bundle.	3 bndls.	18	5	23	
	Victoria ...	4 "	4 "	6	6	
		6 bndls.	1 bundle.	7 bndls.	24	5	29	
Other ...	Great Britain ...	5 pkgs.	4 pkgs.	9 pkgs.	53	135	188	
	Victoria ...	389 "	389 "	184	184	
	Tasmania ...	113 "	113 "	134	134	
	Queensland ...	30 "	30 "	12	12	
	New Caledonia ...	1 "	1 "	5	5	
	Fiji Islands ...	1 "	1 "	7	7	
	Mauritius ...	1 "	1 "	10	10	
		540 pkgs.	4 pkgs.	544 pkgs.	405	135	540	
Slates...	New Zealand	14,215 No.	14,215 No.	200	200	
	Queensland	300 "	300 "	6	6	
		14,515 No.	14,515 No.	206	206	
Soap ...	Victoria ...	1 cwt.	4 cwt.	5 cwt.	1	14	15	
	South Australia ...	25 "	25 "	31	31	
	New Zealand ...	806 "	806 "	980	980	
	Queensland ...	171 "	171 "	213	213	
	South Sea Islands...	1,344 "	1,344 "	1,672	1,672	
	Fiji Islands ...	261 "	261 "	310	310	
	New Caledonia ...	1,713 "	1,713 "	1,937	1,937	
	San Francisco ...	50 "	50 "	60	60	
	Norfolk Island ...	50 "	50 "	60	60	
	China ...	100 "	100 "	140	140	
	Mauritius ...	217 "	217 "	206	206	
		4,738 cwt.	4 cwt.	4,742 cwt.	5,610	14	5,624	
Soda Crystals	Victoria	6 cwt.	6 cwt.	3	3	
	South Australia	7 "	7 "	3	3	
	New Zealand	6 "	6 "	3	3	
	Queensland	545 "	545 "	224	224	
	South Sea Islands...	7 "	7 "	2	2	
	New Caledonia	369 "	369 "	152	152	
	Fiji Islands	57 "	57 "	22	22	
	San Francisco	8 "	8 "	3	3	
		1,005 cwt.	1,005 cwt.	412	412	
Specimens (Natural History) ...	Great Britain ...	16 pkgs.	5 pkgs.	21 pkgs.	122	56	178	
	Victoria ...	9 "	4 "	13 "	17	37	54	
	South Australia ...	4 "	4 "	5	5	
	New Zealand ...	6 "	6 pkgs.	12 "	32	110	142	
	Queensland ...	9 "	9 "	81	81	
	Fiji Islands	1 pkg.	1 "	10	10	
	San Francisco ...	7 pkgs.	2 pkgs.	9 "	55	10	65	
	Honolulu ...	1 "	1 "	6	6	
	Calcutta ...	2 "	2 "	13	13	
	France ...	1 "	1 "	4	4	
		55 pkgs.	18 pkgs.	73 pkgs.	335	223	558	

STATISTICS—1877.

129

EXPORTS—continued.

Articles.	Countries to which Exported.	Quantities.			Value.		
		Produce and Manufacture of the Colony.	British, Foreign, and other Colonial Produce and Manufacture.	Total.	Produce and Manufacture of the Colony.	British, Foreign, and other Colonial Produce and Manufacture.	Total.
					£	£	£
Brandy	Great Britain ...		1,622 galls.	1,622 galls.		656	656
	Victoria ...		7,820 "	7,820 "		3,116	3,116
	South Australia ...		767 "	767 "		386	386
	Tasmania ...		141 "	141 "		54	54
	New Zealand ...		4,633 "	4,633 "		2,632	2,632
	Queensland ...		93,859 "	93,859 "		56,597	56,597
	South Sea Islands ...		762 "	762 "		416	416
	New Caledonia ...		3,854 "	3,854 "		2,205	2,205
	Fiji Islands ...		2,966 "	2,966 "		1,769	1,769
	Honolulu ...		932 "	932 "		651	651
	China ...		28 "	28 "		29	29
	Hong Kong ...		52 "	52 "		46	46
	Singapore ...		2 "	2 "		2	2
	San Francisco ...		341 "	341 "		306	306
	Java ...		2 "	2 "		2	2
	Petropaulovski ...		16 "	16 "		14	14
	Valparaiso ...		2 "	2 "		2	2
	Timor ...		20 "	20 "		15	15
	New Guinea ...		10 "	10 "		10	10
	Ceylon ...		8 "	8 "		6	6
	Calcutta ...		6 "	6 "		6	6
Japan ...		10 "	10 "		11	11	
Mauritius ...		4 "	4 "		2	2	
Manila ...		2 "	2 "		3	3	
Tuticorin ...		2 "	2 "		2	2	
Lacepede Islands ...		2 "	2 "		2	2	
			117,863 galls.	117,863 galls.		68,940	68,940
Spirits	Great Britain ...		102 galls.	102 galls.		23	23
	Victoria ...		1,429 "	1,429 "		613	613
	South Australia ...		614 "	614 "		141	141
	Tasmania ...		2,990 "	2,990 "		523	523
	New Zealand ...		3,858 "	3,858 "		996	996
	Queensland ...		28,946 "	28,946 "		10,409	10,409
	South Sea Islands ...		4,806 "	4,806 "		932	932
	New Caledonia ...		4,950 "	4,950 "		974	974
	Fiji Islands ...		1,536 "	1,536 "		336	336
	Honolulu ...		225 "	225 "		43	43
	Hong Kong ...		85 "	85 "		17	17
	San Francisco ...		190 "	190 "		41	41
	Petropaulovski ...		45 "	45 "		8	8
	China ...		68 "	68 "		18	18
	Mauritius ...		28 "	28 "		7	7
	Valparaiso ...		58 "	58 "		8	8
	Timor ...		8 "	8 "		2	2
	Ceylon ...		7 "	7 "		1	1
	Java ...		5 "	5 "		4	4
	Japan ...		15 "	15 "		4	4
	Manila ...		4 "	4 "		1	1
Calcutta ...		16 "	16 "		4	4	
			49,985 galls.	49,985 galls.		15,105	15,105
Geneva and Schnapps	Great Britain ...		15 galls.	15 galls.		6	6
	Victoria ...		2 "	2 "		1	1
	South Australia ...		151 "	151 "		52	52
	New Zealand ...		149 "	149 "		51	51
	Queensland ...		958 "	958 "		343	343
	South Sea Islands ...		28 "	28 "		18	18
	New Caledonia ...		92 "	92 "		40	40
	Fiji Islands ...		89 "	89 "		32	32
	San Francisco ...		42 "	42 "		13	13
	China ...		2 "	2 "		1	1
	Singapore ...		7 "	7 "		2	2
			1,535 galls.	1,535 galls.		559	559
Gin	Great Britain ...		95 galls.	95 galls.		50	50
	Victoria ...		212 "	212 "		167	167
	South Australia ...		96 "	96 "		61	61
	New Zealand ...		57 "	57 "		35	35
	Queensland ...		820½ "	820½ "		836	836
	South Sea Islands ...		14½ "	14½ "		26	26
	New Caledonia ...		994½ "	994½ "		745	745
	Fiji Islands ...		3½ "	3½ "		4	4
	Mauritius ...		317 "	317 "		165	165
	San Francisco ...		320½ "	320½ "		195	195
			2,930 galls.	2,930 galls.		2,284	2,284
Liquors ...	Great Britain ...		102 galls.	102 galls.		23	23
	Victoria ...		1,429 "	1,429 "		613	613
	South Australia ...		614 "	614 "		141	141
	Tasmania ...		2,990 "	2,990 "		523	523
	New Zealand ...		3,858 "	3,858 "		996	996
	Queensland ...		28,946 "	28,946 "		10,409	10,409
	South Sea Islands ...		4,806 "	4,806 "		932	932
	New Caledonia ...		4,950 "	4,950 "		974	974
	Fiji Islands ...		1,536 "	1,536 "		336	336
	Honolulu ...		225 "	225 "		43	43

EXPORTS—continued.

Articles.	Countries to which Exported.	Quantities.			Value.		
		Produce and Manufacture of the Colony.	British, Foreign, and other Colonial Produce and Manufacture.	Total.	Produce and Manufacture of the Colony.	British, Foreign, and other Colonial Produce and Manufacture.	Total.
					£	£	£
Methylated ...	South Australia ...		20 galls.	20 galls.		4	4
	Queensland ...		43 "	43 "		11	11
	Fiji Islands ...		29 "	29 "		5	5
			92 galls.	92 galls.		20	20
Perfumed ...	Great Britain ...		3 $\frac{3}{4}$ galls.	3 $\frac{3}{4}$ galls.		9	9
	Victoria ...		4 $\frac{1}{4}$ "	4 $\frac{1}{4}$ "		20	20
	South Australia ...		27 $\frac{3}{4}$ "	27 $\frac{3}{4}$ "		111	111
	Tasmania ...		34 "	34 "		64	64
	New Zealand ...		19 $\frac{3}{4}$ "	19 $\frac{3}{4}$ "		58	58
	Queensland ...		134 "	134 "		276	276
	New Caledonia ...		82 $\frac{1}{2}$ "	82 $\frac{1}{2}$ "		45	45
	Fiji Islands ...		19 $\frac{1}{4}$ "	19 $\frac{1}{4}$ "		50	50
	Honolulu ...		7 "	7 "		20	20
	San Francisco ...		1 $\frac{1}{4}$ "	1 $\frac{1}{4}$ "		2	2
			333 $\frac{3}{4}$ galls.	333 $\frac{3}{4}$ galls.		655	655
Rum ...	Great Britain ...		248 galls.	248 galls.		48	48
	Victoria ...		1,744 "	1,744 "		216	216
	South Australia ...		702 "	702 "		156	156
	New Zealand ...		1,327 "	1,327 "		183	183
	Queensland ...		5,948 "	5,948 "		2,126	2,126
	South Sea Islands...		674 "	674 "		130	130
	New Caledonia ...		1,372 "	1,372 "		185	185
	Fiji Islands ...		486 "	486 "		114	114
	San Francisco ...		308 "	308 "		55	55
	Hong Kong ...		184 "	184 "		30	30
	Petropaulovski ...		25 "	25 "		6	6
	Honolulu ...		248 "	248 "		64	64
	China ...		122 "	122 "		28	28
	Calcutta ...		10 "	10 "		1	1
	Ceylon ...		29 "	29 "		4	4
	Java ...		24 "	24 "		4	4
	Mauritius ...		10 "	10 "		2	2
Valparaiso ...		31 "	31 "		6	6	
Tuticorin ...		28 "	28 "		7	7	
Lacipede Islands ...		118 "	118 "		16	16	
			13,638 galls.	13,638 galls.		3,381	3,381
Whiskey ...	Great Britain ...		1,589 galls.	1,589 galls.		659	659
	Victoria ...		891 "	891 "		346	346
	Tasmania ...		24 "	24 "		13	13
	South Australia ...		38 "	38 "		16	16
	New Zealand ...		1,811 "	1,811 "		671	671
	Queensland ...		9,302 "	9,302 "		3,766	3,766
	South Sea Islands...		213 "	213 "		134	134
	New Caledonia ...		68 "	68 "		33	33
	Fiji Islands ...		373 "	373 "		168	168
	Honolulu ...		66 "	66 "		36	36
	Hong Kong ...		10 "	10 "		6	6
	San Francisco ...		392 "	392 "		181	181
	Timor ...		33 "	33 "		14	14
	China ...		31 "	31 "		18	18
	Calcutta ...		8 "	8 "		4	4
	Ceylon ...		8 "	8 "		4	4
	Java ...		2 "	2 "		1	1
Mauritius ...		4 "	4 "		2	2	
Valparaiso ...		11 "	11 "		6	6	
Japan ...		2 "	2 "		1	1	
			14,876 galls.	14,876 galls.		6,079	6,079
Distilled in the Colony ...	Great Britain ...	13,802 galls.		13,802 galls.	1,676		1,676
	Victoria ...	44,517 "		44,517 "	5,159		5,159
	New Zealand ...	9,307 "		9,307 "	1,440		1,440
	Queensland ...	82 "		82 "	10		10
	New Caledonia ...	41,662 "		41,662 "	5,038		5,038
Ceylon ...	51 "		51 "	6		6	
		109,421 galls.		109,421 galls.	13,329		13,329
All other ...	Victoria ...		977 galls.	977 galls.		327	327
	New Zealand ...		129 $\frac{1}{4}$ "	129 $\frac{1}{4}$ "		82	82
	Queensland ...		234 "	234 "		446	446
	South Sea Islands...		11 $\frac{1}{4}$ "	11 $\frac{1}{4}$ "		9	9
	New Caledonia ...		4 $\frac{3}{4}$ "	4 $\frac{3}{4}$ "		14	14
	Fiji Islands ...		13 $\frac{1}{2}$ "	13 $\frac{1}{2}$ "		17	17
	San Francisco ...		57 $\frac{1}{4}$ "	57 $\frac{1}{4}$ "		18	18
Honolulu ...		4 "	4 "		12	12	
			1,431 galls.	1,431 galls.		925	925

Spirits—continued.

STATISTICS—1877.

131

EXPORTS—continued.

Articles.	Countries to which Exported.	Quantities.			Value.		
		Produce and Manufacture of the Colony.	British, Foreign, and other Colonial Produce and Manufacture.	Total.	Produce and Manufacture of the Colony.	British, Foreign, and other Colonial Produce and Manufacture.	Total.
Spokes and Felloes ...	Victoria ...	22,315 No.	500 No.	22,815 No.	£ 294	£ 8	£ 302
	South Australia ...	56,022 "	56,022 "	555	555
	New Zealand ...	74,534 "	300 No.	74,834 "	1,270	6	1,276
	Queensland ...	2,850 "	2,850 "	47	47
	New Caledonia ...	900 "	900 "	23	23
		156,621 No.	800 No.	157,421 No.	2,189	14	2,203
Starch ...	South Australia	1,176 lbs.	1,176 lbs.	21	21
	New Zealand	3,080 "	3,080 "	55	55
	Queensland	37,708 "	37,708 "	686	686
	New Caledonia	12,322 "	12,322 "	254	254
	South Sea Islands	256 "	256 "	5	5
		3,696 "	3,696 "	68	68
		58,238 lbs.	58,238 lbs.	1,089	1,089
Paper (Printing)	Victoria ...	97 bales	41 bales	138 bales	1,144	575	1,719
	Tasmania ...	68 "	10 "	78 "	1,031	132	1,163
	South Australia ...	16 "	10 "	26 "	231	143	374
	New Zealand ...	38 "	53 "	91 "	541	625	1,166
	Queensland ...	71 "	225 "	296 "	1,017	2,342	3,359
	New Caledonia ...	2 "	12 "	14 "	31	98	129
	Fiji Islands ...	1 "	13 "	14 "	8	134	142
		293 bales	364 bales	657 bales	4,003	4,049	8,052
Paper (Brown & Wrapping).	Great Britain	9 cwt.	9 cwt.	22	22
	Victoria ...	40 cwt.	40 "	44	44
	South Australia ...	38 "	38 "	100	100
	Tasmania ...	38 "	77 cwt.	115 "	44	141	185
	New Zealand ...	291½ "	265½ "	557½ "	399	460	859
	Queensland ...	524¼ "	1,123 "	1,647¼ "	733	2,077	2,810
	New Caledonia ...	25 "	408 "	433 "	46	725	771
	Fiji Islands ...	5 "	15 "	20 "	7	29	36
		3¼ "	3¼ "	5	5
		962¼ cwt.	1,901½ cwt.	2,863¾ cwt.	1,373	3,459	4,832
Paper (Writing and Fancy).	New Zealand	502 lbs.	502 lbs.	28	28
	Queensland	2,563 "	2,563 "	116	116
		3,065 lbs.	3,065 lbs.	144	144
Books ...	Great Britain ...	20 cases	30 cases	50 cases	202	562	764
	Victoria ...	12 "	124 "	136 "	84	3,357	3,441
	South Australia	5 "	5 "	60	60
	Tasmania ...	3 cases	24 "	27 "	14	380	394
	New Zealand ...	16 "	684 "	700 "	255	17,261	17,516
	Queensland ...	9 "	907 "	916 "	60	15,569	15,629
	South Sea Islands	15 "	15 "	372	372
	New Caledonia ...	3 cases	25 "	28 "	7	157	164
	Fiji Islands ...	3 "	56 "	59 "	43	475	518
	San Francisco ...	5 "	2 "	7 "	23	80	103
	Western Australia	1 "	1 "	4	4
	Honolulu	1 "	1 "	32	32
		71 cases	1,874 cases	1,945 cases	688	38,309	38,997
Maps ...	Great Britain	1 pkg.	1 pkg.	7	7
	Victoria	1 "	1 "	25	25
	New Zealand	5 pkgs.	5 pkgs.	45	45
	Queensland	6 "	6 "	20	20
		13 pkgs.	13 pkgs.	97	97
Stationery ...	Great Britain	4 cases	4 cases	58	58
	Victoria	78 "	78 "	966	966
	South Australia	8 "	8 "	62	62
	Tasmania	11 "	11 "	133	133
	New Zealand ...	3 cases	288 "	291 "	5	5,390	5,395
	Queensland ...	19 "	739 "	758 "	181	9,940	10,121
	South Sea Islands	20 "	20 "	172	172
	New Caledonia ...	2 cases	30 "	32 "	21	337	358
	Honolulu	3 "	3 "	40	40
	Fiji Islands ...	1 case	66 "	67 "	5	987	992
	Calcutta	7 "	7 "	45	45
		25 cases	1,254 cases	1,279 cases	212	18,130	18,342

EXPORTS—continued.

Articles.	Countries to which Exported.	Quantities.			Value.			
		Produce and Manufacture of the Colony.	British, Foreign, and other Colonial Produce and Manufacture.	Total.	Produce and Manufacture of the Colony.	British, Foreign, and other Colonial Produce and Manufacture.	Total.	
					£	£	£	
Stones	Ballast ...	Victoria ...	10 tons	10 tons	40	40
		South Australia ...	50 "	50 "	160	160
	Building ...	Victoria ...	60 tons	60 tons	200	200
		South Australia ...	106 blocks	106 blocks	120	120
		Queensland ...	329 "	329 "	474	474
	Grinding ...	Queensland ...	802 "	802 "	749	749
		Victoria ...	1,237 blocks	1,237 blocks	1,343	1,343
		New Zealand	58 No.	58 No.	16	16
		Queensland	372 "	372 "	209	209
		South Sea Islands	5 "	5 "	3	3
		New Caledonia	94 "	94 "	38	38
	Grave ...	Fiji Islands	83 "	83 "	31	31
Victoria	612 No.	612 No.	297	297	
New Zealand ...		8 pgs & No	8 pgs & No	120	120	
Queensland ...		12 "	12 "	64	64	
South Sea Islands ...		13 "	13 "	50	50	
Sulphate Ammonia ...	Fiji Islands ...	16 "	16 "	83	83	
	Western Australia ...	2 "	2 "	7	7	
Mauritius	51 pgs & No	51 pgs & No	324	324	
	116 cwt.	116 cwt.	250	250	
Sugar	Raw ...	Great Britain ...	163½ cwt.	163½ cwt.	277	277	
		Victoria ...	3,040½ "	3,040½ "	4,399	4,399	
	South Australia ...	222¼ "	222¼ "	386	386		
	Tasmania ...	31½ "	31½ "	54	54		
	New Zealand ...	162½ "	182½ "	267	301		
	Queensland ...	20 cwt.	828 "	828 "	34	1,454	1,454	
	Fiji Islands	42 "	42 "	66	66	
	South Sea Islands	888½ "	888½ "	1,460	1,460	
	New Caledonia	3,366½ "	3,366½ "	5,140	5,140	
	San Francisco	40¼ "	40¼ "	63	63	
	Hong Kong	48 "	48 "	79	79	
	China	71¼ "	71¼ "	114	114	
	Singapore	4 "	4 "	7	7	
	Ceylon	2¼ "	2¼ "	4	4	
	Mauritius	5½ "	5½ "	9	9	
	Japan	10 "	10 "	16	16	
	Java	3½ "	3½ "	6	6	
	Petropaulovski	6 "	6 "	31	31	
	New Guinea	19¼ "	19¼ "	33	33	
	Honolulu	2¾ "	2¾ "	5	5	
	Seagon (Cochin China)	2 "	2 "	4	4	
	Norfolk Island	58 "	58 "	103	103	
	Callao	5 "	5 "	7	7	
	Manila	1½ "	1½ "	3	3	
	Lacepede Islands	4¼ "	4¼ "	7	7	
	Guam	7½ "	7½ "	12	12	
	Refined ...	Victoria ...	20 cwt.	9,037½ cwt.	9,057½ cwt.	34	14,006	14,040
		Great Britain	1 cwt.	1 cwt.	3	3
		Victoria	326 "	326 "	810	810
		Tasmania	6 "	6 "	15	15
		New Zealand ...	76,400 cwt.	358¾ "	76,758¾ "	130,623	968	131,591
		Queensland ...	2,660¼ "	146½ "	2,806¾ "	4,729	373	5,102
South Sea Islands ...		75 "	16½ "	91½ "	140	39	179	
New Caledonia ...		841¼ "	363 "	1,204¼ "	1,484	910	2,394	
Fiji Islands ...		20 "	8¼ "	28¼ "	32	17	49	
San Francisco ...		122 "	31 "	153 "	214	83	297	
Hong Kong ...		6 "	½ "	6½ "	12	2	14	
China	4¼ "	4¼ "	10	10	
Seagon (Cochin China)	2 "	2 "	5	5	
Victoria	80,124½ cwt.	1,263¾ cwt.	81,388¼ cwt.	137,234	3,235	140,469
Sulphur ...	Victoria	310 cwt.	310 cwt.	227	227	
	New Zealand	1½ "	1½ "	2	2	
	Queensland	19 "	19 "	20	20	
	Fiji Islands	3 "	3 "	3	3	
	New Caledonia	2 "	2 "	2	2	
Victoria	335½ cwt.	335½ cwt.	254	254		

STATISTICS—1877.

133

EXPORTS—continued.

Articles.	Countries to which Exported.	Quantities.			Value.		
		Produce and Manufacture of the Colony.	British, Foreign, and other Colonial Produce and Manufacture.	Total.	Produce and Manufacture of the Colony.	British, Foreign, and other Colonial Produce and Manufacture.	Total.
					£	£	£
Sundries	Great Britain ...	146 pkgs.	354 pkgs.	500 pkgs.	1,898	4,951	6,849
	Victoria ...	292 "	2,333 "	2,625 "	1,180	19,234	20,414
	South Australia ...	16 "	243 "	259 "	30	529	559
	Tasmania ...	20 "	57 "	77 "	64	445	509
	New Zealand ...	20 "	129 "	149 "	74	940	1,014
	Queensland ...	384 "	1,039 "	1,423 "	1,744	6,596	8,340
	South Sea Islands...	80 "	80 "	160 "	277	765	1,042
	New Caledonia ...	72 "	166 "	238 "	313	657	970
	Fiji Islands ...	140 "	307 "	447 "	397	2,475	2,872
	Hong Kong ...	1 "	305 "	306 "	10	410	420
	San Francisco ...	8 "	13 "	21 "	69	89	158
	Petropaulovski	19 "	19 "	71	71
	Singapore	2 "	2 "	8	8
	Madras	11 "	11 "	167	167
	Honolulu	45 "	45 "	62	62
	Bombay	1 "	1 "	49	49
	Norfolk Island	57 "	57 "	190	190
France	1 "	1 "	12	12	
		1,179 pkgs.	5,162 pkgs.	6,341 pkgs.	6,056	37,650	43,706
Tallow	Great Britain ...	80,316½ cwt.	10,072 cwt.	90,388½ cwt.	131,709	16,556	148,265
	Victoria ...	5,994½ "	149 "	6,143½ "	9,700	215	9,915
	South Australia ...	193 "	193 "	273	273
	Tasmania ...	35 "	35 "	61	61
	Queensland ...	1,112 "	1,112 "	2,031	2,031
	New Caledonia ...	22 "	22 "	33	33
	Bombay ...	85 "	85 "	135	135
	Mauritius ...	111 "	111 "	168	168
Valparaiso ...	2,300 "	2,300 "	3,680	3,680	
		90,169 cwt.	10,221 cwt.	100,390 cwt.	147,790	16,771	164,561
Tarpaulins	Queensland	5 bales	5 bales	57	57
	New Caledonia	1 "	1 "	6	6
	6 bales	6 bales	63	63
Tea	Great Britain	1,667 lbs.	1,667 lbs.	124	124
	Victoria	28,239 "	28,239 "	2,046	2,046
	South Australia	17,956 "	17,956 "	1,672	1,672
	Tasmania	2,014 "	2,014 "	152	152
	New Zealand	204,590 "	204,590 "	16,913	16,913
	Queensland	410,377 "	410,377 "	31,023	31,023
	South Sea Islands...	7,114 "	7,114 "	612	612
	New Caledonia	20,001 "	20,001 "	1,565	1,565
	Fiji Islands	21,126 "	21,126 "	1,682	1,682
	San Francisco	2,227 "	2,227 "	181	181
	Hong Kong	431 "	431 "	31	31
	China	491 "	491 "	38	38
	Petropaulovski	201 "	201 "	14	14
	Valparaiso	42 "	42 "	3	3
	Seagon (Cochin China)	41 "	41 "	3	3
	Mauritius	78 "	78 "	6	6
	New Guinea	476 "	476 "	35	35
	Ceylon	84 "	84 "	6	6
	Java	42 "	42 "	4	4
	Norfolk Island	420 "	420 "	31	31
Callao	11 "	11 "	1	1	
Manila	58 "	58 "	4	4	
Japan	52 "	52 "	4	4	
Tuticorin	40 "	40 "	3	3	
Lacepede Islands	41 "	41 "	3	3	
		717,819 lbs.	717,819 lbs.	56,156	56,156
Timber. Cedar (hewn and sawn)	Victoria ...	283,940 feet	283,940 feet	2,197	2,197
	New Zealand ...	41,755 "	41,755 "	357	357
	Tasmania ...	5,100 "	5,100 "	39	39
	Queensland ...	146,900 "	146,900 "	514	514
		477,695 feet	477,695 feet	3,107	3,107

EXPORTS—continued.

Articles.	Countries to which Exported.	Quantities.			Value.				
		Produce and Manufacture of the Colony.	British, Foreign, and other Colonial Produce and Manufacture.	Total.	Produce and Manufacture of the Colony.	British, Foreign, and other Colonial Produce and Manufacture.	Total.		
					£	£	£		
Timber—continued.	Hardwood (hewn and sawn)	Victoria ...	331,775 feet	3,468 feet	335,243 feet	2,216	63	2,279	
		South Australia ...	587,052 "	137,584 "	725,236 "	5,876	1,172	7,048	
		New Zealand ...	970,325 "	970,325 "	9,480	9,480	
		Queensland ...	57,324 "	57,324 "	472	472	
		South Sea Islands...	133,001 "	12,784 feet	145,785 "	1,263	181	1,444	
		New Caledonia ...	107,331 "	7,000 "	114,331 "	1,068	66	1,134	
		Fiji Islands ...	56,010 "	3,509 "	59,519 "	566	29	595	
		Honolulu ...	1,200 "	1,200 "	15	15	
		Mauritius ...	2,700 "	2,700 "	35	35	
			2,247,318 feet	164,345 feet	2,411,663 feet	20,991	1,511	22,502	
	Pine (hewn and sawn)	Victoria ...	375,892 feet	375,892 feet	1,552	1,552	
		Queensland ...	1,124 "	1,124 "	14	14	
			377,016 feet	377,016 feet	1,566	1,566	
	Sleepers, Girders, Poles, &c.	New Zealand ...	332 No.	332 No.	904	904	
		Queensland ...	13 "	13 "	39	39	
		New Caledonia ...	47 "	47 "	119	119	
		Fiji Islands ...	11 "	11 "	110	110	
			403 No.	403 No.	1,172	1,172	
	Treenails	Great Britain ...	10,000 No.	10,000 No.	45	45	
		South Australia ...	10,000 "	10,000 "	40	40	
		Singapore ...	3,000 "	3,000 "	12	12	
			23,000 No.	23,000 No.	97	97	
	Palings	New Zealand	1,000 No.	1,000 No.	8	8	
Queensland ...		3,000 No.	45,675 "	48,675 "	21	301	322		
South Sea Islands...		5,000 "	6,000 "	11,000 "	35	50	85		
New Caledonia ...		8,500 "	8,500 "	68	68		
Fiji Islands ...		2,500 "	2,500 "	20	20		
		19,000 No.	52,675 No.	71,675 No.	144	359	503		
Sandalwood ...	Hong Kong	1,086 cwt.	1,086 cwt.	1,118	1,118		
Shingles ...	South Sea Islands...	40,700 No.	40,700 No.	58	58		
Ingots ...	Great Britain ...	111,957 cwt.	8,739 cwt.	120,696 cwt.	371,705	28,038	399,743		
	Victoria ...	24,778 "	600 "	25,378 "	80,260	1,800	82,060		
	South Australia ...	440 "	440 "	1,518	1,518		
	New Zealand ...	245 "	245 "	800	800		
	Queensland ...	1,400 "	1,400 "	4,328	4,328		
	San Francisco ...	5,043 $\frac{3}{4}$ "	5,043 $\frac{3}{4}$ "	16,881	16,881		
	Fiji Islands ...	$\frac{1}{2}$ "	$\frac{1}{2}$ "	2	2		
	Singapore ...	20 "	20 "	66	66		
	Honolulu ...	10 "	10 "	32	32		
	Hong Kong ...	206 "	206 "	700	700		
	France* ...	504 "	504 "	1,660	1,660		
			144,604 $\frac{1}{4}$ cwt.	9,339 cwt.	153,943 $\frac{3}{4}$ cwt.	477,952	29,838	507,790	
	Tin	Plates	Tasmania	27 boxes	27 boxes	50	50
			New Zealand	3 "	3 "	6	6
			Queensland	3,198 "	3,198 "	6,583	6,583
			New Caledonia	2 "	2 "	4	4
Fiji Islands	1 "	1 "	2	2	
Honolulu	151 "	151 "	323	323	
		3,382 boxes	3,382 boxes	6,968	6,968		
Ore ...	Victoria ...	75 $\frac{1}{4}$ cwt.	75 $\frac{1}{4}$ cwt.	218	218		
	Queensland ...	16,400 "	16,400 "	30,340	30,340		
		16,475 $\frac{1}{4}$ cwt.	16,475 $\frac{1}{4}$ cwt.	30,558	30,558		
Tinware	Victoria	4 pkgs.	4 pkgs.	2	2		
	New Zealand	1 "	1 "	20	20		
	Queensland ...	23 pkgs.	18 "	41 "	154	184	338		
	South Sea Islands...	3 "	3 "	14	14		
	New Caledonia ...	3 "	1 pkg.	4 "	26	3	29		
	Fiji Islands ...	8 "	6 pkgs.	14 "	43	72	115		
		37 pkgs.	30 pkgs.	67 pkgs.	237	281	518		

* For Exhibition.

STATISTICS—1877.

135

EXPORTS—*continued.*

Articles.	Countries to which Exported.	Quantities.			Value.				
		Produce and Manufacture of the Colony.	British, Foreign, and other Colonial Produce and Manufacture.	Total.	Produce and Manufacture of the Colony.	British, Foreign, and other Colonial Produce and Manufacture.	Total.		
					£	£	£		
Tobacco.	Manufactured ...	Great Britain	1,342 lbs.	1,342 lbs.	94	94		
		Victoria	60,920 "	60,920 "	4,661	4,661		
		South Australia	3,993 "	3,993 "	297	297		
		Tasmania	545 "	545 "	43	43		
		New Zealand	33,460 "	33,460 "	2,322	2,322		
		Queensland	124 lbs.	183,194 "	183,318 "	10	13,024	13,034	
		South Sea Islands...	120 "	64,670 "	64,790 "	8	3,824	3,832	
		New Caledonia	61,721 "	61,721 "	3,831	3,831	
		Fiji Islands	30 "	20,788 "	20,818 "	2	1,287	1,289	
		Hong Kong	2,485 "	2,485 "	182	182	
		China	1,919 "	1,919 "	133	133	
		Mauritius	1,522 "	1,522 "	95	95	
		Japan	525 "	525 "	40	40	
		Java	266 "	266 "	21	21	
		Singapore	21 "	21 "	1	1	
		Timor	629 "	629 "	47	47	
		Petropaulovski	3,308 "	3,308 "	230	230	
		Ceylon	246 "	246 "	20	20	
		Calcutta	194 "	194 "	11	11	
		San Francisco	1,385 "	1,385 "	100	100	
		Manila	266 "	266 "	18	18	
		Callao	60 "	60 "	4	4	
		Honolulu	100 "	100 "	7	7	
		Guam	20 "	20 "	2	2	
		Western Australia...	21 "	21 "	2	2	
		Lacepede Islands...	62 "	62 "	5	5	
		Valparaiso...	226 "	226 "	15	15	
		Seagon (Cochin China)	165 "	165 "	11	11	
		New Guinea	128 "	128 "	9	9	
		Nagapatam	83 "	83 "	6	6	
				274 lbs.	444,264 lbs.	444,538 lbs.	20	30,342	30,362
		Leaf	Victoria	64,281 lbs.	64,281 lbs.	2,879	2,879
		Snuff	Great Britain	392 lbs.	392 lbs.	26	26
		Cigars	Great Britain	385 lbs.	385 lbs.	265	265
			Victoria	12,354 "	12,354 "	4,741	4,741
			South Australia	192 "	192 "	87	87
			Tasmania	268 "	268 "	131	131
			New Zealand	4,808 "	4,808 "	2,042	2,042
			Queensland	11,583 "	11,583 "	5,432	5,432
			South Sea Islands...	754 "	754 "	342	342
			New Caledonia	3,360 "	3,360 "	1,473	1,473
			Fiji Islands	1,180 "	1,180 "	537	537
			Petropaulovski	7 "	7 "	3	3
			San Francisco	264 "	264 "	105	105
			Honolulu	195 "	195 "	100	100
			China	42 "	42 "	19	19
Ceylon		14 "	14 "	7	7		
Japan		33 "	33 "	13	13		
Java		16 "	16 "	7	7		
Hong Kong		16 "	16 "	7	7		
Manila	14 "	14 "	5	5			
Lacepede Islands...	14 "	14 "	6	6			
		35,501 lbs.	35,501 lbs.	15,322	15,322		
Tortoiseshell...	Great Britain	3,314 lbs.	3,314 lbs.	2,168	2,168		
	Hong Kong	180 "	180 "	100	100		
			3,494 lbs.	3,494 lbs.	2,268	2,268	
Toys and Fancy Goods	Great Britain	10 pkgs.	10 pkgs.	229	229		
	Victoria	75 "	75 "	2,542	2,542		
	South Australia	27 "	27 "	498	498		
	Tasmania	85 "	85 "	2,688	2,688		
	New Zealand	214 "	214 "	8,042	8,042		
	Queensland	1,659 "	1,659 "	35,853	35,853		
	South Sea Islands...	48 "	48 "	584	584		
	New Caledonia	163 "	163 "	2,802	2,802		
	Fiji Islands	143 "	143 "	3,140	3,140		
	Honolulu	43 "	43 "	1,680	1,680		
Petropaulovski	1 "	1 "	5	5			
		2,468 pkgs.	2,468 pkgs.	58,063	58,063		

EXPORTS—continued.

Articles.	Countries to which Exported.	Quantities.			Value.		
		Produce and Manufacture of the Colony.	British, Foreign, and other Colonial Produce and Manufacture.	Total.	Produce and Manufacture of the Colony.	British, Foreign, and other Colonial Produce and Manufacture.	Total.
					£	£	£
Turpentine ...	Victoria ...		1½ galls.	1½ galls.		1	1
	New Zealand ...		16 "	16 "		4	4
	Queensland ...		1,154 "	1,154 "		278	278
	South Sea Islands...		48 "	48 "		13	13
	New Caledonia ...		652 "	652 "		151	151
	Fiji Islands ...		29 "	29 "		7	7
	San Francisco ...		72 "	72 "		18	18
	Hong Kong ...		8 "	8 "		2	2
			1,980½ galls.	1,980½ galls.		474	474
Turnery & Woodware	Great Britain ...	1 pkg.		1 pkg.	10		10
	Victoria ...	34 pkgs.		191 pkgs.	14	128	142
	South Australia ...		8 "	8 "		18	18
	New Zealand ...	1 pkg.	108 "	109 "	4	190	194
	Queensland ...	157 pkgs.	809 "	966 "	537	1,535	2,072
	South Sea Islands...	570 "	86 "	656 "	1,142	210	1,352
	New Caledonia ...	200 "	34 "	234 "	580	92	672
	Fiji Islands ...	488 "	79 "	567 "	1,138	271	1,409
		1,451 pkgs.	1,281 pkgs.	2,732 pkgs.	3,425	2,444	5,869
Twine ...	Tasmania ...		10 cwt.	10 cwt.		54	54
	New Zealand ...		9½ "	9½ "		32	32
	Queensland ...		140½ "	140½ "		602	602
	South Sea Islands...		2 "	2 "		8	8
	New Caledonia ...		11 "	11 "		56	56
	Fiji Islands ...		6¼ "	6¼ "		35	35
	Honolulu ...		7½ "	7½ "		45	45
			186½ cwt.	186½ cwt.		832	832
Tiles ...	Queensland ...	269 No.		269 No.	20		20
Umbrellas & Parasols	Queensland ...		1 pkg.	1 pkg.		68	68
	South Sea Islands...		1 "	1 "		6	6
	Fiji Islands ...		5 pkgs.	5 pkgs.		55	55
	New Caledonia ...		1 "	1 "		12	12
			8 pkgs.	8 pkgs.		141	141
Varnish ...	Great Britain ...		23 galls.	23 galls.		10	10
	Victoria ...		96 "	96 "		48	48
	Queensland ...		196 "	196 "		141	141
	Fiji Islands ...		16 "	16 "		12	12
			331 galls.	331 galls.		211	211
Vermicelli, Macaroni, and Tapioca	Victoria ...		17 pkgs.	17 pkgs.		38	38
	New Zealand ...		2 "	2 "		8	8
	Queensland ...		41 "	41 "		98	98
	South Sea Islands...		1 "	1 "		1	1
	New Caledonia ...		13 "	13 "		67	67
			74 pkgs.	74 pkgs.		212	212
Vinegar ...	Great Britain ...		29 galls.	29 galls.		3	3
	Victoria ...		992 "	992 "		77	77
	South Australia ...		84 "	84 "		26	26
	Tasmania ...		348 "	348 "		26	26
	New Zealand ...		4,037 "	4,037 "		354	354
	Queensland ...	613 galls.	5,487½ "	6,100½ "	35	763	798
	South Sea Islands...	25 "	105 "	130 "	1	13	14
	New Caledonia ...		225¼ "	225¼ "		46	46
	Fiji Islands ...	50 galls.	458¾ "	508¾ "	2	62	64
	Hong Kong ...		7 "	7 "		2	2
	San Francisco ...		110½ "	110½ "		25	25
	Petropaulovski ...		62 "	62 "		5	5
	China ...		44 "	44 "		4	4
	Honolulu ...		58 "	58 "		4	4
		688 galls.	12,048 galls.	12,736 galls.	38	1,410	1,448

STATISTICS—1877.

EXPORTS—continued.

Articles.	Countries to which Exported.	Quantities.			Value.		
		Produce and Manufacture of the Colony.	British, Foreign, and other Colonial Produce and Manufacture.	Total.	Produce and Manufacture of the Colony.	British, Foreign, and other Colonial Produce and Manufacture.	Total.
Watches and Clocks...	Great Britain ...		3 pkgs.	3 pkgs.	£	650	650
	Victoria ...		144 "	144 "		1,904	1,904
	Tasmania ...		35 "	35 "		228	228
	New Zealand ...		11 "	11 "		94	94
	Queensland ...		203 "	203 "		1,102	1,102
	South Sea Islands...		4 "	4 "		16	16
	New Caledonia ...		26 "	26 "		151	151
	Fiji Islands ...		21 "	21 "		102	102
	Honolulu ...		8 "	8 "		29	29
			455 pkgs.	455 pkgs.		4,276	4,276
Whiting and Chalk ...	New Zealand ...		23 casks	23 casks		14	14
	South Sea Islands...		1 "	1 "		1	1
	New Caledonia ...		47 "	47 "		32	32
	Fiji Islands ...		8 "	8 "		4	4
	Queensland ...		28 "	28 "		20	20
			107 casks	107 casks		71	71
Whalebone ...	Great Britain ...		1,736 lbs.	1,736 lbs.		218	218
Wine ...	Great Britain ...	2,802 galls.	5,529 galls.	8,331 galls.	931	1,121	2,052
	Victoria ...	2,725 "	3,828 "	6,553 "	899	2,660	3,559
	South Australia ...		338 "	338 "		225	225
	Tasmania ...	67 galls.	147 "	214 "	32	56	88
	New Zealand ...	542 "	3,123 "	3,665 "	240	1,579	1,819
	Queensland ...	3,791 "	22,576 "	26,367 "	2,083	12,699	14,782
	South Sea Islands...	207 "	884 "	1,091 "	89	667	756
	New Caledonia ...	218 "	8,724 "	8,942 "	87	2,543	2,630
	Fiji Islands ...	131 "	1,252 "	1,383 "	72	817	889
	Hong Kong ...		20 "	20 "		24	24
	Honolulu ...		6 "	6 "		6	6
	San Francisco ...		529 "	529 "		583	583
	China ...	2 galls.	16 "	18 "	1	15	16
	Petropaulovski ...		4 "	4 "		5	5
	Singapore ...	20 galls.		20 "	8		8
	Madras ...	12 "		12 "	8		8
	Seagon (Cochin China) ...		2 galls.	2 "		1	1
	Manila ...		4 "	4 "		3	3
	Ceylon ...		30 "	30 "		34	34
	Bombay ...		50 "	50 "		20	20
	Japan ...		4 "	4 "		3	3
Norfolk Island ...	2 galls.	8 "	10 "	1	10	11	
Java ...	72 "	2 "	74 "	51	2	53	
Tuticorin ...		4 "	4 "		3	3	
		10,591 galls.	47,080 galls.	57,671 galls.	4,502	23,076	27,578
Wire (Black)	Victoria ...		94 cwt.	94 cwt.		85	85
	New Zealand ...		3,320 "	3,320 "		2,767	2,767
	Queensland ...		8,356 "	8,356 "		7,140	7,140
	South Sea Islands...		7 "	7 "		6	6
	New Caledonia ...		201 "	201 "		189	189
	Fiji Islands ...		68 "	68 "		59	59
	Honolulu ...		1,040 "	1,040 "		842	842
			13,086 cwt.	13,086 cwt.		11,088	11,088
Wire (Galvanized)	Victoria ...		3 cwt.	3 cwt.		3	3
	South Australia ...		179½ "	179½ "		280	280
	Queensland ...		546 "	546 "		690	690
	Fiji Islands ...		70 "	70 "		96	96
	New Caledonia ...		73 "	73 "		90	90
	South Sea Islands...		11 "	11 "		16	16
			882½ cwt.	882½ cwt.		1,175	1,175
Wool... (washed) ...	Great Britain ...	21,754,626 lbs.	3,291,233 lbs.	25,045,859 lbs.	1,635,365	258,899	1,894,264
	Victoria ...	5,969,145 "	6,617 "	5,975,762 "	390,787	479	391,266
	Queensland ...	167,364 "		167,364 "	12,552		12,552
	South Australia ...	683,658 "		683,658 "	56,972		56,972
		28,574,793 lbs.	3,297,850 lbs.	31,872,643 lbs.	2,095,676	259,378	2,355,054

EXPORTS—*continued.*

Articles.	Countries to which Exported.	Quantities.			Value.		
		Produce and Manufacture of the Colony.	British, Foreign, and other Colonial Produce and Manufacture.	Total.	Produce and Manufacture of the Colony.	British, Foreign, and other Colonial Produce and Manufacture.	Total.
Wool <i>contd.</i> { (greasy)...	Great Britain ...	28,018,775 lbs.	2,280,904 lbs.	30,299,679 lbs.	£ 1,243,995	£ 103,950	£ 1,347,945
	Victoria ...	44,048,816 "	43,076 "	44,091,892 "	1,855,127	2,181	1,857,308
	Queensland ...	366,040 "	366,040 "	13,309	13,309
	South Australia ...	1,118,829 "	1,118,829 "	46,701	46,701
	San Francisco ...	22,993 "	125,065 lbs.	148,058 "	1,230	5,055	6,285
		73,575,453 lbs.	2,449,045 lbs.	76,024,498 lbs.	3,160,362	111,186	3,271,548
Wool Bagging ...	Queensland	21 pkgs.	21 pkgs.	358	358
Woolpacks ...	Victoria	25 bales	25 bales	181	181
	Tasmania	30 "	30 "	240	240
	New Zealand	239 "	239 "	1,898	1,898
	Queensland	272 "	272 "	2,194	2,194
	South Sea Islands	1 "	1 "	7	7
	New Caledonia	4 "	4 "	31	31
Fiji Islands	13 "	13 "	101	101	
			584 bales	584 bales	4,652	4,652
Woollens ...	Great Britain	4 pkgs.	4 pkgs.	270	270
	Victoria	5 "	5 "	104	104
	Tasmania	2 "	2 "	72	72
	New Zealand	6 pkgs.	10 "	245	385
	Queensland	15 "	30 "	361	766
	New Caledonia	2 "	2 "	71	71
	Fiji Islands	13 "	13 "	276	276
	Hong Kong	2 "	2 "	16	16
		21 pkgs.	47 pkgs.	68 pkgs.	606	1,354	1,960
Yellow Metal (sheet)	Tasmania	3 pkgs.	3 pkgs.	60	60
	New Zealand	13 "	13 "	285	285
	Queensland	10 "	10 "	94	94
	New Caledonia	17 "	17 "	235	235
	Fiji Islands	20 "	20 "	249	249
			63 pkgs.	63 pkgs.	923	923
Yellow Metal (nails)	Great Britain	2 pkgs.	2 pkgs.	27	27
	New Zealand	27 "	27 "	197	197
	Fiji Islands	5 "	5 "	54	54
			34 pkgs.	34 pkgs.	278	278
Zinc ...	Victoria	4 cwt.	4 cwt.	7	7
	New Zealand	65 "	65 "	109	109
	Queensland	64 "	64 "	106	106
	New Caledonia	103 "	103 "	182	182
	Fiji Islands	20 "	20 "	34	34
	South Sea Islands	2 "	2 "	3	3
	Norfolk Island	2 "	2 "	3	3
			260 cwt.	260 cwt.	444	444
" (Spelter)	Great Britain ...	100 cwt.	100 cwt.	100	100
	Hong Kong	400 cwt.	400 "	260	260
		100 cwt.	400 cwt.	500 cwt.	100	260	360
TOTAL VALUE OF EXPORTS ...					£ 10,704,758	2,421,061	13,125,819

IMPORTS AND EXPORTS.

IMPORTS.

No. 54.—DECENNIAL RETURN of the Total Value of IMPORTS into the Colony, distinguishing the Countries from whence Imported.

Year.	From Great Britain.	From British Colonies.								From South Sea Islands.	From Fisheries.	From United States of America.	From Foreign States.	Total Seaward and Overland.	General Total.	
		Victoria.	South Australia.	Tasmania.	New Zealand.	Queensland.	Other British Possessions.	Total.	Total British Colonies.							
	£	£	£	£	£	£	£	£	£	£	£	£	£	£	£	
1868	Seaward	2,660,430	1,215,777	272,283	121,875	720,936	1,505,970	363,937	4,200,778	} {	13,697	8,038	257,921	910,513	8,051,377	}
	Overland*	
1869	Seaward	3,544,285	494,855	412,593	87,069	300,016	1,473,008	459,541	3,227,082	} 3,919,092 {	15,547	1,574	154,855	757,400	7,700,743	} 8,392,753
	Overland†	581,159	110,851	692,010		692,010	
1870	Seaward	3,200,706	705,387	270,798	90,827	298,951	1,240,877	573,462	3,180,302	} 3,724,292 {	11,387	1,637	154,799	664,460	7,213,291	} 7,757,281
	Overland	448,308	95,682	543,990		543,990	
1871	Seaward	3,252,617	1,206,604	589,727	107,002	881,501	1,596,231	518,750	4,899,815	} 5,528,104 {	75,806	11,794	126,372	614,815	8,981,219	} 9,609,508
	Overland	491,632	135,098	1,559	628,289		628,289	
1872	Seaward	3,728,457	724,596	501,183	103,018	326,369	1,786,544	589,677	4,031,387	} 4,652,853 {	162,361	18,304	114,682	531,839	8,587,030	} 9,208,496
	Overland	464,185	152,720	4,561	621,466		621,466	
1873	Seaward	5,137,139	624,365	566,357	128,770	198,368	1,861,896	846,865	4,226,621	} ‡ 4,234,981 {	145,124	15,377	181,250	757,612	10,463,123	} ‡10,471,483
	Overland‡	8,360	8,360		8,360	
1874	Seaward	4,888,725	896,976	574,421	145,865	233,981	2,213,575	901,623	4,966,441	} § 5,423,260 {	114,188	2,897	233,845	630,824	10,836,920	} §11,293,739
	Overland§	452,086	4,733	456,819		456,819	
1875	Seaward	6,062,226	1,121,107	721,701	167,870	135,480	2,272,065	867,252	5,285,475	} ¶ 6,501,070 {	56,600	5,317	203,539	661,448	12,274,605	} 13,490,200
	Overland	945,049	266,232	4,314	1,215,595		1,215,595	
1876	Seaward	5,763,533	1,139,897	748,285	207,075	258,441	1,981,996	949,875	5,285,569	} ¶ 6,957,463 {	32,808	4,400	277,540	637,032	12,000,882	} 13,672,776
	Overland	1,246,880	417,421	7,593	1,671,894		1,671,894	
1877	Seaward	6,471,780	1,171,278	557,454	374,393	223,482	2,218,334	733,379	5,278,320	} ¶ 6,903,952 {	23,305	2,550	481,565	723,442	12,980,962	} 14,606,594
	Overland	1,360,171	253,838	11,623	1,625,632		1,625,632	

* No returns † From the 19th March, *vid* Corowa. ‡ No returns of the Overland Trade with Victoria and South Australia. § Some of the returns of the Overland Trade with Victoria and South Australia are for broken periods, viz., *vid* Albury from 1 February, *vid* Corowa, Moama, Swan Hill, and Wentworth, from 1 September. ¶ The values of 95 packages drapery, 1,497 cases of hardware and ironmongery, 2,465 packages oilmen's stores, and 2,451 packages sundries, are not given in the return.

IMPORTS AND EXPORTS—continued.

EXPORTS.

No. 55.—DECENNIAL RETURN of the Total Value of EXPORTS from the Colony, distinguishing the Countries to which Exported.

Year.	To Great Britain.	To British Colonies.								To South Sea Islands.	To Fisheries.	To United States of America.	To Foreign States.	Total Seaward and Overland.	General Total.
		Victoria.	South Australia.	Tasmania.	New Zealand.	Queensland.	Other British Colonies.	Total.	Total British Colonies.						
	£	£	£	£	£	£	£	£	£	£	£	£	£	£	£
1868	{ Seaward ... 3,486,960	1,098,891	33,014	27,281	485,588	1,014,366	807,089	3,466,229	} {	60,603	23,332	155,780	7,192,904	}
	{ Overland*	
1869	{ Seaward ... 3,267,019	725,404	31,139	21,523	319,855	778,389	2,125,374	4,001,684	} 6,357,402 {	102,053	363	52,439	154,166	7,577,724	} 9,933,442
	{ Overland†	2,099,989	255,729	2,355,718		2,355,718	
1870	{ Seaward ... 2,492,640	771,704	24,822	26,555	197,025	639,761	1,397,368	3,057,235	} 5,194,508 {	131,918	38,817	132,155	5,852,765	} 7,990,038
	{ Overland	1,811,848	325,425	2,137,273		2,137,273	
1871	{ Seaward ... 4,378,281	1,549,845	65,914	23,049	285,463	692,590	431,675	3,048,536	} 6,508,802 {	109,961	106,736	141,252	7,784,766	} 11,245,032
	{ Overland	3,027,714	424,732	7,820	3,460,266		3,460,266	
1872	{ Seaward ... 4,926,728	734,569	137,682	54,993	228,930	1,010,259	538,107	2,704,540	} 5,146,018 {	106,547	118,749	149,007	8,005,571	} 10,447,049
	{ Overland	2,123,622	304,334	13,522	2,441,478		2,441,478	
1873	{ Seaward ... 6,657,559	608,847	174,340	36,044	279,153	807,451	325,940	2,231,775	} † 2,304,491 {	88,458	74,799	262,566	9,315,157	} † 9,387,873
	{ Overland‡	72,716	72,716		72,716	
1874	{ Seaward ... 5,737,066	801,979	157,724	52,127	273,910	1,010,255	413,997	2,709,992	} 6,098,223 {	85,067	165,093	260,154	8,957,372	} 12,345,603
	{ Overland§	2,812,477	500,044	75,710	3,388,231		3,388,231	
1875	{ Seaward ... 6,374,503	723,096	80,844	44,274	362,764	1,014,559	395,306	2,620,843	} 6,838,755 {	43,249	148,125	266,948	9,453,668	} 13,671,580
	{ Overland	3,546,674	573,388	97,850	4,217,912		4,217,912	
1876	{ Seaward ... 5,918,187	748,871	92,171	53,484	480,241	1,036,602	267,669	2,679,038	} 6,637,018 {	45,145	148,116	255,475	9,045,961	} 13,003,941
	{ Overland	3,294,795	577,967	85,218	3,957,980		3,957,980	
1877	{ Seaward ... 6,018,926	1,028,184	142,411	57,168	489,856	1,435,707	352,458	3,505,784	} 6,648,564 {	48,059	108,273	301,997	9,983,039	} 13,125,819
	{ Overland	2,869,945	210,414	62,421	3,142,780		3,142,780	

* No returns. † From the 19th March, *via* Corowa. ‡ No returns of the Overland Trade with Victoria and South Australia.
§ Some of the returns of the Overland Trade with Victoria and South Australia are for broken periods, *viz.*, *via* Albury from 1 February, and *via* Corowa and Moama from 1 September.

STATISTICS—1877.

141

IMPORTS AND EXPORTS—*continued.*

EXPORTS.

No. 56.—DECENNIAL RETURN of the Total Value of Articles EXPORTED, the Produce or Manufacture of New South Wales, &c., &c., &c.

Year.	Articles the Produce or Manufacture of New South Wales.		Articles the Produce or Manufacture of other Countries.		Total.		General Total.
	Seaward.	Overland.	Seaward.	Overland.	Seaward.	Overland.	
	£	£	£	£	£	£	£
1868	4,878,344	*	2,314,560	*	7,192,904	*
1869	5,519,859	2,343,733	2,057,865	11,985	7,577,724	2,355,718	9,933,442
1870	4,165,304	2,125,567	1,687,461	11,706	5,852,765	2,137,273	7,990,038
1871	5,757,574	3,448,527	2,027,192	11,739	7,784,766	3,460,266	11,245,032
1872	5,601,982	2,433,134	2,403,589	8,344	8,005,571	2,441,478	10,447,049
1873	6,870,433	† 72,716	2,444,724	†	9,315,157	† 72,716	† 9,387,873
1874	6,784,941	‡ 3,384,502	2,172,431	‡ 3,729	8,957,372	‡ 3,388,231	‡ 12,345,603
1875	7,258,022	4,213,874	2,195,646	4,038	9,453,668	4,217,912	13,671,580
1876	6,753,485	3,938,468	2,292,476	19,512	9,045,961	3,957,980	13,003,941
1877	7,629,476	3,075,282	2,353,563	67,498	9,983,039	3,142,780	13,125,819

* No returns.

† No returns of the Overland Trade with Victoria and South Australia.

‡ Some of the returns of the Overland Trade with Victoria and South Australia are for broken periods, viz. :—*Via* Albury from 1 February, and *via* Corowa and Moama from 1 September.

IMPORT OF GRAIN, &c., SEAWARD.

No. 57.—DECENNIAL RETURN of the Quantity and Value of GRAIN, &c., Imported into the Colony Seaward.

Year.	Wheat.	Maize.	Barley, Oats, Malt, and Hops.	Flour and Bread.	Rice.	Pollard, Bran, Gram, Dholl, and Sharps.	Pease, Beans, and Rye.	Arrowroot, Sago, Pearl Barley, Oatmeal, and Maize Flour.	Potatoes and Yams.	Value.
	Bushels.	Bushels.		lbs.	lbs.					£
1868	609,011	106,332 bush. 1,997½ cwt.	40,484,000	13,931,940	91,404 bush. 84 tons	30 brls. 681 bags	1,225 cwt. 929 kegs 184 bags 3,671 casks 592 cases	16,042 37 pkgs.	802,592
1869	777,408	2,015	59,940 bush. 1,833½ cwt.	32,602,000	5,871,212	15,773 bush. 53 tons	977 brls. 296 bags	1,110 cwt. 2,625 casks 1,567 kegs 1,582 cases	9,775 20 pkgs.	574,522
1870	569,638	3,682	81,984 bush. 1,392 cwt.	38,790,000	5,320,575	19,498 bush. 75 tons	207 bags 874 brls.	4,815 casks 1,447 cases 1,109 kegs 1,535 cwt. 676 pkgs.	17,170	544,135
1871	1,041,496	5,598	77,614 bush. 2,707 cwt.	36,322,000	7,976,896	98,260 bush. 39 tons	1,146 brls. 1,147 bush.	973¼ cwt. 787 pkgs. 4,661 casks 1,266 bags 1,258 cases	15,081	709,225
1872	631,299	2,910	88,834 bush. 1,991 cwt.	33,627,000	7,220,928	55,400 bush.	374 brls. 280 bags	10,111 cwt. 1,764 cases	11,376	569,530
1873	818,845	1,500	89,195 bush. 3,040½ cwt.	34,394,108	11,158,728	27,348 bush.	1,093 brls. 192 bags	13,488 cwt. 2,316 cases	13,301	638,588
1874	740,019	567	195,167 bush. 2,527 cwt.	35,015,310	10,929,585	45,324 bush.	438 brls. 175 bags	12,413 cwt. 676 cases	13,996	726,272
1875	1,083,773	4,380	240,449 bush. 2,755 cwt.	52,057,102	8,385,197	236,342 bush.	1,089 brls. 3 bags	12,828 cwt. 2,588 cases	17,433	848,446
1876	918,005	51,839	434,765 bush. 5,090 cwt.	48,304,104	5,773,915	294,291 bush.	1,393 pkgs.	18,506 cwt.	26,456	911,584
1877	823,526	49,747	471,357 bush. 5,137 cwt.	42,761,194	8,008,991	264,632 bush. 5 tons	1,693 pkgs.	19,423 cwt.	41,900	1,080,504

NOTE.—The year 1877 includes the Overland Trade in the above and following returns.

STATISTICS—1877.

IMPORTS AND EXPORTS—*continued.*

EXPORT OF GRAIN, &c., SEAWARD—THE PRODUCE OF THE COLONY.

No. 58.—DECENNIAL RETURN of the Quantity and Value of GRAIN, &c., Exported from the Colony, Seaward.

Year.	Wheat.	Maize.	Barley, Oats, and Malt.	Flour and Bread.	Corn Flour.	Potatoes.	Value.
	Bushels.	Bushels.	Bushels.	Pounds.	Packages.	Tons.	£
1868	1,943	1,146,913	17,616	7,341,500	1,565	226,458
1869	1,668	1,096,373	22,127	5,034,800	1,352½	235,398
1870	1,100	475,886	26,325	3,024,600	3,200	2,008¼	110,346
1871	8	741,567	6,640	1,216,700	3,193	1,170¼	126,957
1872	23	1,183,715	3,175	822,000	3,086	1,699¾	133,135
1873	3,088	1,294,122	17,714	1,291,200	3,128	1,786½	204,143
1874	687	1,025,182	28,508	2,124,800	2,544	1,832½	246,449
1875	120	611,360	29,706	1,417,500	1,132	2,451½	150,206
1876	70	594,303	7,151	1,188,075	62,120 lbs.	1,441	108,018
1877	22,594	834,107	11,316	2,538,790	20,624	1,172½	172,113

1877—Exported also, in addition to the above, Foreign Grain, &c., to the value of £121,157.

IMPORT OF BUTTER AND CHEESE—SEAWARD.

No. 59.—DECENNIAL RETURN of the Quantity and Value of BUTTER and CHEESE Imported into the Colony, Seaward.

Year.	Quantity.	Value.	Year.	Quantity.	Value.
	lbs.	£		lbs.	£
1868	352,688	11,233	1873	255,920	9,569
1869	205,184	6,611	1874	177,632	7,789
1870	334,440	11,742	1875	324,576	15,288
1871	188,496	6,145	1876	1,114,623	62,032
1872	171,696	6,331	1877	1,425,016	69,328

EXPORT OF BUTTER AND CHEESE, SEAWARD—THE PRODUCE OF THE COLONY.

No. 60.—DECENNIAL RETURN of the Quantity and Value of BUTTER and CHEESE Exported from the Colony, Seaward.

Year.	Quantity.	Value.	Year.	Quantity.	Value.
	lbs.	£		lbs.	£
1868	738,752	19,071	1873	975,156	30,949
1869	1,066,240	40,844	1874	985,488	36,382
1870	1,409,072	41,546	1875	938,644	46,755
1871	1,593,760	40,003	1876	357,432	21,053
1872	937,328	25,950	1877	638,622	29,730

1877—Exported also, in addition to the above, Foreign Butter and Cheese to the value of £6,829.
NOTE.—The year 1877 includes the Overland Trade.

STATISTICS—1877.

143

IMPORTS AND EXPORTS—continued.

IMPORT OF LIVE STOCK.

No. 61.—DECENNIAL RETURN of LIVE STOCK Imported into the Colony.

Year.	Description of Stock.										Total.		General Total.
	Horses.		Horned Cattle.		Sheep.		Goats.		Pigs.		Number.	Value.	
	No.	£	No.	£	No.	£	No.	£	No.	£			
1868 ... { Seaward ... Overland* ...	93	5,109	72	3,822	339	2,210	2	2	506	11,143
1869 ... { Seaward ... Overland ...	80 839	15,131 3,551	284 4,177	8,314 19,018	812 15,496	5,125 6,242	1,176 20,512	28,570 28,811	57,381
1870 ... { Seaward ... Overland ...	46 377	1,725 1,829	31 91	4,036 4,298	512 496	2,201 992	1	1	5	150	595 964	8,113 7,119	15,232
1871 ... { Seaward ... Overland ...	70 168	8,932 935	53 168	6,400 1,617	460 25,345	6,698 10,138	29	220	4	4	616 25,681	22,254 12,690	34,944
1872 ... { Seaward ... Overland ...	71 599	10,183 3,003	197 2,943	12,885 16,467	1,976 80,488	8,267 28,171	6	85	2,250 84,079	31,420 47,694	79,114
1873 ... { Seaward ... Overland* ...	187	24,696	403	31,064	3,653	15,625	10	90	17	34	4,270	71,509
1874 ... { Seaward ... Overland ...	308 339	19,397 2,742	238 1,495	5,567 8,714	3,037	8,273	63	191	2	6	3,648 1,834	33,434 11,456	44,890
1875 ... { Seaward ... Overland ...	224 551	19,211 7,636	241 2,078	6,949 23,381	2,643 24,745	15,405 14,054	37	31	1	5	3,146 27,374	41,601 45,071	86,672
1876 ... { Seaward ... Overland ...	251 417	24,587 5,172	209 5,711	14,272 32,712	18,155 37,672	26,258 31,211	5	38	2	20	18,622 43,804	65,175 69,100	134,275
1877 ... { Seaward ... Overland ...	717 846	16,573 12,378	207 3,356	4,828 10,591	1,102 328,960	4,634 157,993	8	146	22	68	2,056 333,168	26,249 180,974	207,223

* No Returns.

EXPORT OF LIVE STOCK—THE PRODUCE OF THE COLONY.

No. 62.—DECENNIAL RETURN of LIVE STOCK Exported from the Colony.

Year.	Description of Stock.										Total.		General Total.
	Horses.		Horned Cattle.		Sheep.		Mules and Asses.		Pigs.		Number.	Value.	
	No.	£	No.	£	No.	£	No.	£	No.	£			
1868 { Seaward ... Overland* ...	1,001	15,581	4,334	26,003	7,989	5,074	1,186	1,285	14,510	47,943
1869 { Seaward ... Overland ...	1,638 3,104	27,677 16,861	1,279 64,910	6,642 401,690	5,876 456,692	3,348 401,455	3,486 461	3,732 455	12,279 525,167	41,399 880,461	921,860
1870 { Seaward ... Overland ...	529 5,104	9,509 23,221	1,834 61,046	10,227 406,125	4,498 799,851	2,745 313,756	7,990 673	12,730 599	14,851 866,674	35,211 743,701	778,912
1871 { Seaward ... Overland ...	438 3,592	9,115 18,223	2,053 80,450	13,814 475,930	5,654 934,847	3,666 420,741	2	8	9,463 346	14,727 179	17,610 1,019,235	41,330 915,073	956,403
1872 { Seaward ... Overland ...	964 2,357	23,552 12,456	1,312 71,354	9,538 451,556	3,867 634,467	2,695 307,417	5,598 1,281	10,196 1,440	11,741 709,459	45,981 772,869	818,850
1873 { Seaward ... Overland* ...	1,249	35,507	3,623	33,543	4,780	4,132	1	10	5,450	8,662	15,103	81,854
1874 { Seaward ... Overland ...	2,298 8,183	49,808 29,226	2,500 49,064	33,596 369,025	7,079 521,048	5,994 277,344	9	170	4,032 10,164	6,695 702	15,918 588,459	96,263 676,297	772,560
1875 { Seaward ... Overland ...	1,998 4,801	47,651 29,524	3,006 61,667	37,233 513,205	8,329 1,016,826	6,222 549,959	1	10	3,381 1,446	5,704 1,811	16,715 1,084,740	96,820 1,094,499	1,191,319
1876 { Seaward ... Overland ...	1,454 4,353	38,230 32,313	2,518 67,371	37,016 501,180	8,128 1,076,048	6,559 519,695	7	102	2,546 1,149	4,790 1,292	14,653 1,148,921	86,697 1,054,480	1,141,177
1877 { Seaward ... Overland ...	1,408 3,739	41,827 42,512	2,851 60,024	34,352 392,942	5,037 746,375	3,249 377,240	981 232	1,738 259	10,277 810,370	81,166 812,953	894,119

* No returns.

NOTE.—Previous to 1876 the export overland includes a small portion of Live Stock belonging to the adjacent Colonies, but the numbers are unknown.
1877.—Exported, in addition to the above, Foreign Live Stock of the value of £39,651.

IMPORTS AND EXPORTS—*continued.*

IMPORT OF SALT MEAT SEAWARD.

No. 63.—DECENNIAL RETURN of the Quantity and Value of SALT MEAT Imported into the Colony Seaward.

Year.	Beef, Pork, Bacon, Hams, &c.	Preserved Meats.	Value.	Year.	Beef, Pork, Bacon, Hams, &c.	Preserved Meats.	Value.
	Quantity.	Quantity.	£		Quantity.	Quantity.	£
1868	{ 3,631 cwt. 70 casks }	17 pkgs.	13,351	1873	2,394 cwt.	15,638 cases.	44,657
1869	{ 3,563 cwt.	1,174 cases	24,600	1874	2,164 "	18,149 "	54,220
1870	{ 4,022 "	2,574 "	18,022	1875	10,660 "	16,666 "	52,334
1871	{ 2,201 " 175 casks }	11,755 "	55,646	1876	2,141 "	36,599 "	93,177
1872	{ 1,803 cwt. 27 cases }	9,961 cases	24,580	1877	5,669 "	22,030 "	69,017

1877.—Imported also, 6,218 packages Preserved Provisions; stated value, £11,287.

EXPORT OF SALT MEAT SEAWARD—THE PRODUCE OF THE COLONY.

No. 64.—DECENNIAL RETURN of the Quantity and Value of SALT MEAT Exported from the Colony Seaward.

Year.	Beef, Pork, and Mutton.	Bacon and Hams.	Tongues.	Preserved Meats.	Value.
	Quantity. cwt.	Quantity. cwt.	Quantity. cwt.	Quantity. Packages.	£
1868	8,908	588	105	7,876	35,635
1869	6,594	1,022	5	10,059	47,002
1870	9,471	389½	153	13,833	63,860
1871	10,095	479	190	47,870	133,266
1872	10,803	935	165	58,021	136,569
1873	8,316½	932½	114	54,217	120,222
1874	7,754	1,290¼	25	49,817	107,335
1875	8,598	1,571½	21	25,540	73,712
1876	6,913	942¾	30	33,308	98,203
1877	7,723	781	20	64,479	140,145

1877.—Exported, in addition to the above, Foreign Salt Meat to the value of £44,243.

N.B.—Imported in 1877, in addition to the quantities of Provisions, &c., stated in the foregoing Decennial Tables, 266 packages Chinese Provisions unclassified; stated value, £373.

IMPORT OF HIDES AND LEATHER SEAWARD.

No. 65.—DECENNIAL RETURN of the Quantity and Value of HIDES and LEATHER Imported into the Colony Seaward.

Year.	Hides and Skins.				Leather.		Value. £
	Horned Cattle.	Sheep and Goat.	Kangaroo and Opossum.	All other.	Manufactured. (Boots and Shoes).	Unmanu- factured.	
	Quantity.	Quantity. Bundles.	Quantity.	Quantity.	Quantity. Trunks.	Packages.	£
1868	40,345 No.	5,334	46 cases	36 pkgs.	13,881	503	262,942
1869	28,493 "	6,083	79 "	43 "	11,618	473	219,984
1870	36,958 No. & 61 cases	4,136	102 "	4 "	9,606	394	184,403
1871	46,886 " & 86 "	4,860	164 "	3 "	11,936	480	259,002
1872	46,911 No.	2,393	188 "	{ 330 No. 5 cases }	10,203	397	245,077
1873	34,264 "	3,737	438 pkgs.	{ 601 No. 10 pkgs. 24 cases }	13,311	626	287,483
1874	49,573 "	3,270	187 "	{ 1,128 No. 11 cases }	15,141	670	334,718
1875	53,315 "	2,094	54 "	{ 1,290 No. 9 cases }	16,176	787	366,359
1876	54,030 "	2,796	31 "	{ 454 No. 516 "	16,760	743	362,874
1877	72,079 "	3,492	152 "	{ 24 bdls. }	20,744	2,027	471,210

NOTE.—The year 1877 includes the overland trade.

STATISTICS—1877.

IMPORTS AND EXPORTS—*continued.*

EXPORT OF HIDES AND LEATHER SEAWARD—THE PRODUCE OF THE COLONY.

No. 66.—DECENNIAL RETURN of the Quantity and Value of HIDES and LEATHER Exported from the Colony Seaward.

Year.	Hides.				Leather.		Value. £
	Horned Cattle.	Kangaroo.	Sheep and Goat.	All other.	Manufactured (Boots and Shoes.)	Unmanu- factured.	
	Quantity. No.	Quantity.	Quantity. pkgs.	Quantity.	Quantity. pkgs.	Quantity. pkgs.	
1868	63,649	231	765 pkgs.	1,255	1,947	105,995
1869	53,497	541	24 "	1,108	2,855	113,922
1870	45,256	401	1,193 No.	1,372	3,001	120,971
1871	47,300	389	3,191 "	1,437	4,153	177,262
1872	50,463	667	14,804 No. 9 pkgs.			
1873	35,235	13 pkgs.	212	1,748 No. & pkgs.	1,663	4,379	179,369
1874	42,185	132	3,810 "	1,665	3,890	192,688
1875	54,259	5	151	2,762 "	1,592	4,465	221,031
1876	76,411	4	403	2,558 No. 576 pkgs.	1,959	4,183	233,862
1877	104,783	1,570 pkgs.	9,326	3,269 No. & pkgs. 6 bdls.			

1877.—Exported also Foreign Hides and Leather to the value of £47,243.
1877.—Exported, in addition to the above, the produce of the Colony, 637 pkgs. of Saddlery and Harness, estimated value, £13,830.

EXPORT OF WOOL—THE PRODUCE OF THE COLONY.

No. 67.—DECENNIAL RETURN of the Quantity and Value of WOOL Exported from the Colony.

Year.	Seaward.		Overland.		Total.	
	Quantity.	Value.	Quantity.	Quantity.	Quantity.	Value.
	lbs.	£	lbs.	£	lbs.	£
1868	25,721,632	1,879,751**	25,721,632	1,879,751
1869	29,938,837	1,762,912	21,330,835	1,399,610	51,269,672	3,162,522
1870	25,757,300	1,412,925	21,683,310	1,328,216	47,440,610	2,741,141
1871	38,417,902	2,297,252	27,194,051	2,450,908	65,611,953	4,748,160
1872	29,618,833	1,979,501	20,614,620	1,363,399	50,233,453	3,342,900
1873	Washed & scoured 21,731,877	1,701,347	†125,680	†9,426	31,606,846	2,201,910
	Greasy ... 9,749,289	490,837				
1874	Washed & scoured 22,038,120	1,759,664	39,679,961	2,599,698	75,156,924	5,010,125
	Greasy ... 13,438,843	650,763				
1875	Washed... 23,230,425	1,869,060	47,885,133	2,990,541	87,534,280	5,651,643
	Greasy ... 16,418,722	791,142				
1876	Washed... 21,711,823	1,656,880	42,472,756	1,960,780	100,736,330	5,565,173
	Greasy ... 25,292,527	1,153,423				
1877	Washed... 22,655,977	1,686,434	41,494,416	1,732,328	102,150,246	5,256,038
	Greasy ... 32,081,037	1,428,034				

* No record kept of the Overland Traffic.
† Exported into Queensland by drays. No returns have been prepared of the traffic across and *via* the river Murray.
1877.—Exported also, in addition to the above, 5,746,895 lbs. of Foreign Wool, of the value of £370,564.

EXPORT OF TALLOW—THE PRODUCE OF THE COLONY.

No. 68.—DECENNIAL RETURN of the Quantity and Value of TALLOW Exported from the Colony.

Year.	Seaward.		Overland.		Total.	
	Quantity.	Value.	Quantity.	Value.	Quantity.	Value.
	cwt.	£	cwt.	£	cwt.	£
1868	93,901	144,377**
1869	96,667	167,536	†4,955	†9,523	101,622	177,059
1870	134,262	223,787	2,399	4,032	136,661	227,819
1871	150,452	245,727	7,893½	12,596	158,345½	258,323
1872	105,233	176,798	2,402	3,567	107,635	180,365
1873	66,504	106,138	†100	†150	66,604	106,288
1874	63,348½	99,649	§3,705	§4,502	67,053½	104,151
1875	65,641	106,285	3,917½	5,787	69,558½	112,072
1876	73,525	119,388	4,014	5,446	77,539	124,834
1877	87,158½	143,084	3,010½	4,706	90,169	147,790

* No returns. † *Via* Corowa, from 19th March. ‡ No returns of the Overland trade with Victoria and South Australia. § Some of the returns of the Overland trade with Victoria and South Australia are for broken periods, viz. :—*Via* Albury, from 1st Feb., and *via* Corowa and Moama, from 1st Sept.

NOTE.—The year 1877 includes the Overland trade.

IMPORTS AND EXPORTS—*continued.*

IMPORT OF TIMBER SEAWARD.

No. 69.—DECENNIAL RETURN of the Quantity and Value of TIMBER Imported into the Colony Seaward.

Year.	Deals and Battens.	Pine, &c.	Wrought.	Shingles.	Laths.	Palings.	Sandalwood.	Value.
	Quantity.	Quantity.	Quantity.	No.	No.	No.	Tons.	£
1868	55,433 No.	4,374,672 feet 386 spars	598,600	40,000	836,463	64	28,759
1869	{ 47,689 No. 144 bds.	7,175,425 feet 247 spars	411,700	276,800	745,805	2	41,133
1870	21,680 No.	5,676,548 feet 188 spars	94,000	78,604	693,781	11	29,953
1871	23,330 No.	5,799,134 feet 210 spars	94,000	70 bndls.	648,454	10	34,712
1872	14,652 No.	4,687,697 feet 9 spars	38,000 No.	780,450	17	30,888
1873	37,834 No.	7,208,469 feet 189 spars	506,000	4,587 bndls.	804,415	26	54,572
1874	16,586 No.	9,290,978 feet 59 spars	685,200	72,040 No.	849,995	32	87,023
1875	1,386 No.	6,587,945 feet 75 spars	203,700	1,200,245	51	57,272
1876	152,525 feet	8,353,440 feet 205 spars	20,000	880 bndls.	734,665	31	74,764
1877	549,975 "	11,898,390 feet 140 spars	421,250	709,852	1	127,907

EXPORT OF TIMBER SEAWARD—THE PRODUCE OF THE COLONY.

No. 70.—DECENNIAL RETURN of the Quantity and Value of TIMBER Exported from the Colony Seaward.

Year.	Cedar.	Hardwood, &c.	Wrought.	Shingles.	Laths.	Palings.	Treenails and Spokes, &c.	Value.
	Quantity. Feet.	Quantity.	Quantity.	Bundles.	Bundles.	No.	No.	£
1868	1,070,775	275,324 feet 693 pairs stocks and naves	8,273	38,500	199,622	12,707
1869	2,239,831	1,153,429 feet 1,043 pairs stocks and naves 435 posts and rails	3 houses	6,564	240	34,400	254,895	23,159
1870	2,453,306	694,825 feet 665 pairs stocks and naves 513 sleepers 142 piles	4 "	4,000	30,628	209,335	22,037
1871	2,869,465	1,238,933 feet 1,302 pairs stocks and naves 143 sleepers 1,080 piles	2 "	1,290	633	22,200	285,674	28,455
1872	3,290,265	1,350,885 feet 1,625 pairs stocks and naves 466 sleepers 712 piles	2 "	4,494	952 No.	17,800	229,316	36,367
1873	4,005,754	2,218,186 feet 1,915 pairs stocks and naves 53 sleepers 2,291 piles	6 "	7,305	{ 1,650 No. & pkgs. }	34,530	220,198	54,999
1874	3,675,623	1,686,165 feet 2,317 pairs stocks and naves 221 sleepers 2,350 piles	14 "	640	61,500 No.	54,950	423,133	54,131
1875	3,715,202	3,156,698 feet 2,999 pairs stocks and naves 2,531 piles, logs, &c. 715 girders	17 "	825	54,440	288,123	69,839
1876	1,250,504	2,264,696 feet 907 piles, logs, &c. 94 girders	1 "	165,400	7,500	216,545	27,851
1877	477,695	2,624,334 feet 403 poles, sleepers, &c.	3 "	40,700	19,000	179,621	29,745

1877.—Exported also, in addition to the above, Foreign Timber to the value of £3,002.

NOTE.—The year 1877 includes the *Overland* trade.

STATISTICS—1877.

147

IMPORTS AND EXPORTS—*continued.*

EXPORT OF COAL SEAWARD—THE PRODUCE OF THE COLONY.

No. 71.—DECENNIAL RETURN of the Quantity and Value of COAL Exported from the Colony.

Year.	Quantity.	Value.	Year.	Quantity.	Value.
	Tons	£		Tons	£
1868	548,036	292,201	1873	773,079	526,089
1869	595,553	298,195	1874	872,980	632,247
1870	578,389	267,681	1875	927,007	671,483
1871	565,429	256,690	1876	868,817	625,211
1872	669,110	307,861	1877	915,727	648,977

EXPORT OF GOLD AND COIN—THE PRODUCE OF THE COLONY.

No. 72.—DECENNIAL RETURN of the Quantity and Value of GOLD and COIN Exported from the Colony.

Year.	Gold.			Coin. (Sovereigns and Half-sovereigns.)		Total Value.
	Quantity.			Boxes.	Value.	
	ozs.	dwt.	grs.		£	£
1868	*32,862	3	0	400	1,770,636	1,895,929
1869	82,462	16	0	491	2,180,092	2,493,869
1870	102,667	10	0	286	1,198,806	1,585,736
1871	93,353	1	12	391	1,721,581	2,074,937
1872	118,176	16	12	385	1,655,831	2,111,231
1873	*114,352	7	6	480	2,146,716	2,590,145
1874	40,446	6	0	397	1,719,888	1,875,081
1875	3,897	9	18	461	2,082,591	2,097,740
1876	3,652	0	0	370	1,575,876	1,589,854
1877	2,517	3	0	415	1,814,491	1,824,188

* No return of the Export Overland.
NOTE.—This return includes the Gold received at the Mint from other Colonies, and converted into Bars and Coin. (See Mint Return.)

GOLD AND COIN EXPORTED.

No. 73.—RETURN showing the TOTAL Quantity and Value of GOLD DUST, BARS, and COIN Exported from the Colony in the Year 1877, and the Countries to which the same have been sent.

	Quantity.			Value.	Countries.		Quantity.			Value.	Countries.
	ozs.	dwt.	grs.	£			Boxes.	£			
Gold	10,178	19	12	42,243	Great Britain.	Coin..	281	1,358,336	Great Britain.		
	311	7	0	1,250	Victoria.		6	50,000	New Zealand.		
	852	17	0	2,927	Hong Kong.		59	290,040	Queensland.		
	1,352	19	0	5,520	Calcutta.		54	66,392	Hong Kong.		
Total ...	12,696	2	12	*51,940		2	10,000	Java.			
						3	5,273	Singapore.			
						1	5,000	Fiji Islands.			
						8	27,450	Ceylon.			
						1	2,000	New Caledonia.			
						3	2,004	France.			
						Total ...	418	†1,816,495			

* Gold £51,940
† Coin 1,816,495
Total Value £1,868,435

WHALE FISHERIES.

No. 74.—DECENNIAL RETURN of the SHIPS and VESSELS engaged in the FISHERIES that have visited Port Jackson, distinguishing those that are Colonial, British, or Foreign, with the Tonnage of each description, and Estimated Value of the Cargoes disposed of by the last-mentioned class, for payment for Repairs, Refitting, and Refreshment.

Year.	Description of Vessels.						Description and Value of Cargo disposed of by Foreign Ships.			
	Colonial.		British.		Foreign.		Sperm Oil.	Black Oil.	Whalebone.	Value.
	No.	Tonnage.	No.	Tonnage.	No.	Tonnage.	Tuns.	Tuns.	Cwt.	£
1868	2	564	1	297
1869	4	1,071	1	224
1870	7	1,752
1871	5	1,461
1872	9	2,220	2	527
1873	9	2,602	1	357
1874	1	219
1875	2	591
1876	1	411
1877	1	286

FISHERIES.

No. 75.—DECENNIAL RETURN of FISHERIES, showing the Number of Vessels employed, and the Quantity of Oil, &c., obtained, and its Value.

Year.	Number of Ships employed.	Description of Fish, Quantity, and Value.								Value.
		Sperm Oil.		Black Oil.		Whalebone.		Tortoise-shell.		
		Quantity.	Value.	Quantity.	Value.	Quantity.	Value.	Quantity.	Value.	
1868	3	500 galls.	£ 130	Tuns. 225	£ 6,794	Tons cwt.	£	lbs.	£	£ 6,924
1869	5	51	1,533	1,533
1870	7	141	3,737	0 1	7	4,244	1,977	5,721
1871	5	150 tuns	8,030	127	3,708	0 3½	10	2	1	11,749
1872	11	133 "	9,503	223	8,390	0 18	401	18,294
1873	10	148 "	9,280	163	4,395	5 5	1,700	15,285
1874	2	23 "	1,840	21	882	0 8	175	2,897
1875	2	13 "	1,040	80	3,450	2 0	808	5,298
1876	2	10 "	900	70	2,500	2 14	1,000	4,400
1877	3	30 "	2,250	0 15	300	2,550

SHIPPING.

VESSELS INWARDS.

No. 76.—RETURN showing the NUMBER, TONNAGE, and CREWS of VESSELS ENTERED at PORTS in the Colony, from each Country, in the Year 1877.

Countries whence arrived.	Description of Vessels.	British.									Foreign.									Total.								
		With Cargoes.			In Ballast.			Total.			With Cargoes.			In Ballast.			Total.			With Cargoes.			In Ballast.			Total.		
		Vessels.	Tons.	Crews.	Vessels.	Tons.	Crews.	Vessels.	Tons.	Crews.	Vessels.	Tons.	Crews.	Vessels.	Tons.	Crews.	Vessels.	Tons.	Crews.	Vessels.	Tons.	Crews.	Vessels.	Tons.	Crews.	Vessels.	Tons.	Crews.
Africa	Sailing	1	245	8	1	245	8	1	675	15	2	758	23	3	1433	38	1	675	15	3	1003	31	4	1678	46
America—	3	1785	36	3	1785	36	3	1785	36	3	1785	36
San Francisco ...	Steam ...	6	10284	600	6	10284	600	6	18111	644	6	18111	644	12	28395	1244	12	28395	1244
United States ...	Sailing ...	3	1834	41	3	1834	41	17	11687	222	17	11687	222	20	13521	263	20	13521	263
		9	12118	641	9	12118	641	26	31583	902	26	31583	902	35	43701	1543	35	43701	1543
Belgium	"	2	2782	48	2	2782	48	2	2782	48	2	2782	48
British Columbia...	"	1	809	12	1	809	12	1	809	12	1	809	12
China	"	11	4225	133	11	4225	133	1	283	10	1	283	10	12	4508	143	12	4508	143
	Steam ...	1	971	40	1	971	40	1	971	40	1	971	40
		12	5196	173	12	5196	173	1	283	10	1	283	10	13	5479	183	13	5479	183
Ceylon	Sailing	2	694	24	2	694	24	2	694	24	2	694	24
	Steam ...	1	905	90	1	905	90	1	905	90	1	905	90
		1	905	90	1	905	90	2	694	24	2	694	24	3	1599	114	3	1599	114
Canada	Sailing ...	1	324	9	1	324	9	1	324	9	1	324	9
Fiji	"	9	1939	88	9	1939	88	9	1939	88	9	1939	88
	Steam ...	7	4164	272	7	4164	272	7	4164	272	7	4164	272
		16	6103	360	16	6103	360	16	6103	360	16	6103	360
France	Sailing ...	3	1269	39	3	1269	39	3	1269	39	3	1269	39
Great Britain ...	"	139	149163	3749	139	149163	3749	1	774	20	1	774	20	140	149937	3769	140	149937	3769
	Steam ...	11	20412	860	11	20412	860	11	20412	860	11	20412	860
		150	169575	4609	150	169575	4609	1	774	20	1	774	20	151	170349	4629	151	170349	4629
Hong Kong ...	Sailing ...	7	3247	73	7	3247	73	1	603	11	1	603	11	8	3850	84	8	3850	84
	Steam ...	14	10991	1215	14	10991	1215	1	798	31	1	798	31	15	11789	1246	15	11789	1246
		21	14238	1288	21	14238	1288	2	1401	42	2	1401	42	23	15639	1330	23	15639	1330
Java	Sailing ...	3	1330	37	3	1330	37	7	5418	108	7	5418	108	10	6748	145	10	6748	145
	Steam	5	4194	488	5	4194	488	5	4194	488	5	4194	488
		3	1330	37	3	1330	37	12	9612	596	12	9612	596	15	10942	633	15	10942	633
Japan	Sailing ...	1	369	14	1	369	14	1	369	14	1	369	14

SHIPPING—continued.
VESSELS INWARDS—continued.

Countries whence arrived.	Description of Vessels.	British.									Foreign.									Total.								
		With Cargoes.			In Ballast.			Total.			With Cargoes.			In Ballast.			Total.			With Cargoes.			In Ballast.			Total.		
		Vessels.	Tons.	Crews.	Vessels.	Tons.	Crews.	Vessels.	Tons.	Crews.	Vessels.	Tons.	Crews.	Vessels.	Tons.	Crews.	Vessels.	Tons.	Crews.	Vessels.	Tons.	Crews.	Vessels.	Tons.	Crews.	Vessels.	Tons.	Crews.
Mauritius ...	Sailing ...	12	3658	130	12	3658	130	3	873	31	3	873	31	15	4531	161	15	4531	161
New Zealand ...	Steam ...	90	24090	797	199	67567	1955	289	91657	2752	4	1189	38	11	5068	112	15	6257	150	94	25279	835	210	72635	2067	304	97914	2902
	Steam ...	56	49263	2207	56	49263	2207	1	3017	112	1	3017	112	57	52280	2319	57	52280	2319
New Caledonia ...	Sailing ...	146	73353	3004	199	67567	1955	345	140920	4959	5	4206	150	11	5068	112	16	9274	262	151	77559	3154	210	72635	2067	361	150194	5221
	Steam ...	39	11222	386	10	4071	147	49	15293	533	4	1010	32	6	2438	87	10	3448	119	43	12232	418	16	6509	234	59	18741	652
	Steam ...	17	9073	517	17	9073	517	2	332	52	2	332	52	19	9405	569	19	9405	569
Norfolk Island ...	Sailing ...	56	20295	903	10	4071	147	66	24366	1050	6	1342	84	6	2438	87	12	3780	171	62	21637	987	16	6509	234	78	28146	1221
Peru ...	Sailing ...	1	42	4	1	42	4	1	45	8	1	45	8	2	87	12	2	87	12
Queensland ...	Sailing	1	221	9	1	221	9	1	221	9	1	221	9
Queensland ...	Steam ...	89	13742	600	73	17216	622	162	30958	1222	1	207	6	2	1181	23	3	1388	29	90	13949	606	75	18397	645	165	32346	1251
	Steam ...	256	103112	7385	7	3740	186	263	106852	7571	256	103112	7385	7	3740	186	263	106852	7571
Singapore ...	Steam ...	345	116854	7985	80	20956	808	425	137810	8793	1	207	6	2	1181	23	3	1388	29	346	117061	7991	82	22137	831	428	139198	8822
South Australia ...	Sailing ...	1	664	100	1	664	100	1	664	100	1	664	100
South Australia ...	Steam ...	135	48412	1423	13	11154	266	148	59566	1689	6	2505	65	7	5322	104	13	7827	169	141	50917	1488	20	16476	370	161	67393	1858
	Steam ...	6	2063	142	1	660	38	7	2723	180	6	2063	142	1	660	38	7	2723	180
South Sea Islands...	Sailing ...	141	50475	1565	14	11814	304	155	62289	1869	6	2505	65	7	5322	104	13	7827	169	147	52980	1630	21	17136	408	168	70116	2038
Sweden ...	Sailing ...	21	3690	245	21	3690	245	4	932	40	1	1119	22	5	2051	62	25	4622	285	1	1119	22	26	5741	307
Tasmania ...	Sailing	1	984	19	1	984	19	1	984	19	1	984	19
Tasmania ...	Steam ...	88	18222	700	1	159	8	89	18381	708	1	254	9	1	254	9	88	18222	700	2	413	17	90	18635	717
	Steam ...	28	13100	812	28	13100	812	28	13100	812	28	13100	812
Torres Straits ...	Sailing ...	116	31322	1512	1	159	8	117	31481	1520	1	254	9	1	254	9	116	31322	1512	2	413	17	118	31735	1529
Victoria ...	Sailing ...	2	184	12	2	184	12	2	184	12	2	184	12	
Victoria ...	Steam ...	136	40021	1231	279	114480	2965	415	154501	4196	4	2207	53	47	29698	597	51	31905	650	140	42228	1284	326	144178	3562	466	186406	4846
	Steam ...	369	221427	13531	51	30439	1107	420	251866	14638	5	4804	396	5	4804	396	374	226231	13927	51	30439	1107	425	256670	15034
Whaling Voyage ...	Sailing ...	505	261448	14762	330	144919	4072	835	406367	18834	9	7011	449	47	29698	597	56	36709	1046	514	268459	15211	377	174617	4669	891	443076	19880
Whaling Voyage ...	Sailing ...	1	286	21	1	286	21	1	286	21	1	286	21
Total ...	Sailing ...	793	330051	9780	576	214892	5971	1369	544943	15751	63	32901	759	77	45838	977	140	78739	1736	856	362952	10539	653	260730	6948	1509	623682	17487
	Steam ...	773	446429	27771	59	34839	1331	832	481268	29102	20	31256	1723	20	31256	1723	793	477685	29494	59	34839	1331	852	512524	30825
General Total...	1566	776480	37551	635	249731	7302	2201	1026211	44853	83	64157	2482	77	45838	977	160	109995	3459	1649	840637	40033	712	295569	8279	2361	1136206	48312

STATISTICS—1877.

SHIPPING—continued.

VESSELS INWARDS—NATIONALITY.

No. 77.—RETURN showing the NUMBER, TONNAGE, and CREWS OF VESSELS of EACH NATION entered at Ports in the Colony, in the Year 1877.

Nationality of Vessels.	Description of Vessels.	Entered.								
		With Cargoes.			In Ballast.			Total.		
		Vessels.	Tons.	Crews.	Vessels.	Tons.	Crews.	Vessels.	Tons.	Crews.
British Possessions	Sailing	601	155,749	5,318	482	145,036	4,334	1,083	300,735	9,652
	Steam	682	352,766	21,102	42	25,376	955	724	378,142	22,057
		1,283	508,515	26,420	524	170,412	5,289	1,807	678,927	31,709
British	Sailing	192	174,302	4,462	93	68,928	1,620	285	243,230	6,082
	Steam	91	93,663	6,669	17	9,463	376	108	103,126	7,045
		283	267,965	11,131	110	78,391	1,996	393	346,356	13,127
American	Sailing	32	21,158	407	36	28,602	486	68	49,760	893
	Steam	7	21,128	756	7	21,128	756
		39	42,286	1,163	36	28,602	486	75	70,888	1,649
German	Sailing	14	4,451	145	11	5,332	138	25	9,783	283
French	Sailing	10	3,466	118	18	6,705	219	28	10,171	337
	Steam	5	2,696	214	5	2,696	214
		15	6,162	332	18	6,705	219	33	12,867	551
Tongese	Sailing	1	135	6	1	135	6
Swedish	"	6	3,511	81	6	3,511	81
Danish	"	2	397	15	2	397	15
Portuguese	"	1	632	17	1	632	17
Dutch	Sailing	1	207	6	1	310	11	2	517	17
	Steam	8	7,432	753	8	7,432	753
		9	7,639	759	1	310	11	10	7,949	770
Bolivian	Sailing	1	441	11	1	441	11
Hawaiian	"	2	781	18	2	781	18
Norwegian	"	3	2,411	49	2	1,128	26	5	3,539	75
Total	Sailing	856	362,952	10,539	653	260,730	6,948	1,509	623,682	17,487
	Steam	793	477,685	29,494	59	34,839	1,331	852	512,524	30,825
General Total		1,649	840,637	40,033	712	295,569	8,279	2,361	1,136,206	48,312

VESSELS INWARDS.—PORTS AT WHICH ENTERED.

No. 78.—RETURN showing the TOTAL NUMBER, TONNAGE, and CREWS OF VESSELS Entered at each Port in the Colony, in the Year 1877.

Names of Ports.	Description of Vessels.	British.									Foreign.									Total.										
		With Cargoes.			In Ballast.			Total.			With Cargoes.			In Ballast.			Total.			With Cargoes.			In Ballast.			Total.				
		Vessels.	Tons.	Crews.	Vessels.	Tons.	Crews.	Vessels.	Tons.	Crews.	Vessels.	Tons.	Crews.	Vessels.	Tons.	Crews.	Vessels.	Tons.	Crews.	Vessels.	Tons.	Crews.	Vessels.	Tons.	Crews.	Vessels.	Tons.	Crews.		
Sydney	Sailing	537	227,409	6,953	1	923	17	538	228,337	6,970	54	285,822	655	5	3,464	34	59	320,466	739	591	255,991	7,608	6	4392	101	597	260,383	7,709		
	Steam	636	370,578	24,352	636	370,578	24,352	20	312,566	1,723	20	312,566	1,723	656	401,834	26,075	656	401,834	26,075		
Newcastle	Sailing	1173	597,987	31,305	1	923	17	1174	598,915	31,322	74	598,838	2,378	5	3,464	84	79	633,022	2,462	1,247	657,825	33,683	6	4392	101	1,253	662,217	33,784		
	Steam	255	102,383	23,158	58	210,678	5,796	805	318,061	8,614	9	4319	104	72	4,2374	893	81	4,6693	997	264	106,702	29,222	622	25,3052	6,689	886	359,754	9,611		
		121	74,843	3,355	58	34,752	1,322	179	109,595	4,677	121	74,843	3,355	58	34,752	1,322	179	109,595	4,677		
		376	177,226	6,173	608	245,430	7,118	984	422,656	13,291	9	4319	104	72	4,2374	893	81	4,6693	997	385	181,545	6,277	680	287,804	8,011	1,065	469,349	14,288		
Grafton	Sailing	10	1,452	68	10	1,452	68	10	1,452	68	10	1,452	68
Richmond River	Sailing	1	259	9	13	1,685	80	14	1,944	89	1	259	9	13	1,685	80	14	1,944	89		
	Steam	1	87	9	87	9	1	87	9	87	
		1	259	9	14	1,772	89	15	2,031	98	1	259	9	14	1,772	89	15	2,031	98		
Tweed River	Sailing	2	149	10	2	149	10	2	149	10	2	149	10
	Steam	16	1,008	64	16	1,008	64	16	1,008	64	16	1,008	64		
		16	1,008	64	2	149	10	18	1,157	74	16	1,008	64	2	149	10	18	1,157	74		
Eden
Total	Sailing	793	330,051	9,780	576	214,892	5,971	1,369	544,943	15,751	63	32,901	759	77	45,838	977	140	78,739	1,736	856	362,952	10,539	653	260,730	6,948	1,509	623,682	17,487		
	Steam	773	446,429	27,771	59	34,839	1,331	832	481,268	29,102	20	312,566	1,723	20	312,566	1,723	793	477,685	29,494	59	34,839	1,331	852	512,524	30,825		
General Total		1,566	776,480	37,551	635	249,731	7,302	2,201	1,026,211	44,853	83	64,157	2,482	77	45,838	977	160	109,995	3,459	1,649	840,637	40,033	712	295,569	8,279	2,361	1,136,206	48,312		

VESSELS INWARDS.

No. 79.—DECENNIAL RETURN of the NUMBER and TONNAGE of VESSELS Entered Inwards.

Year.	From Great Britain.	From British Colonies.														From South Sea Islands.	From Fisheries.	From United States of America.	From Foreign States.	Total.							
		Victoria.		South Australia.		Tasmania.		New Zealand.		Western Australia.		Queensland.		Other British Possessions.													
No.	Tons.	No.	Tons.	No.	Tons.	No.	Tons.	No.	Tons.	No.	Tons.	No.	Tons.	No.	Tons.	No.	Tons.	No.	Tons.	No.	Tons.	No.	Tons.	No.	Tons.	No.	Tons.
1868	70	69323	736	290667	130	44096	103	23988	417	126317	2	340	382	97390	47	21042	41	6076	3	862	29	12131	107	31956	2073	724193	
1869	90	83721	802	318583	132	42232	88	22564	348	110768	1	69	357	96441	41	23336	33	4565	5	1295	19	7433	106	30362	2022	741369	
1870	81	70758	714	277454	107	40181	100	21015	299	103502	2	306	316	87408	51	29754	96	19323	7	1752	20	9333	65	22724	1858	689820	
1871	67	69008	670	268770	162	53417	104	21148	287	96597
1872	71	72053	723	297610	151	61103	78	17957	335	111555	3	2146	371	95564	71	34799	43	5456	11	2747	44	43500	110	30000	2011	774490	
1873	101	101056	758	324761	175	64240	94	22201	333	127150	7	5602	381	110274	58	33075	33	6600	10	2959	14	8136	197	63750	2161	874804	
1874	89	86380	897	429204	173	73372	72	21554	395	180240	2	1699	332	111889	52	25816	35	5792	1	219	22	22050	142	58154	2217	1016369	
1875	141	150071	836	405219	194	79690	84	27347	466	187132	1	1320	402	138015	56	21233	26	6980	2	591	36	36345	132	54643	2376	1109066	
1876	120	128523	811	394545	228	84612	105	32944	397	166462	1	89	404	134667	79	42234	40	9760	1	411	27	41781	100	33397	2313	1074425	
1877	151	170349	891	443076	168	70116	118	31735	361	150194	428	139198	37	20984	42	11844	1	286	35	43701	129	54723	2361	1136206	

SHIPPING—continued.

VESSELS OUTWARDS.

No. 80.—RETURN showing the Total NUMBER, TONNAGE, and CREWS of VESSELS CLEARED at each Port in the Colony, in the Year 1877.

Countries to which departed.	Description of Vessels.	British.									Foreign.									Total.								
		With Cargoes.			In Ballast.			Total.			With Cargoes.			In Ballast.			Total.			With Cargoes.			In Ballast.			Total.		
		Vessels.	Tons.	Crews.	Vessels.	Tons.	Crews.	Vessels.	Tons.	Crews.	Vessels.	Tons.	Crews.	Vessels.	Tons.	Crews.	Vessels.	Tons.	Crews.	Vessels.	Tons.	Crews.	Vessels.	Tons.	Crews.	Vessels.	Tons.	Crews.
America { San Francisco United States	Sailing ...	53	60593	1262	53	60593	1262	18	12979	246	18	12979	246	71	73572	1508	71	73572	1508
	Steam ...	6	10284	580	6	10284	580	7	21126	737	7	21126	737	13	31410	1317	13	31410	1317
	Sailing ...	1	1056	22	1	1056	22	1	1065	12	1	1065	12	2	2121	34	2	2121	34
		60	71933	1864	60	71933	1864	26	35170	995	26	35170	995	86	107103	2859	86	107103	2859
Bangkok ...	Steam ...	1	799	41	1	799	41	1	799	41	1	799	41
Ceylon ...	Sailing ...	2	1455	38	2	1455	38	1	314	12	1	314	12	3	1769	50	3	1769	50
Chili ...	" ...	7	4954	133	7	4954	133	1	321	11	1	542	13	2	863	24	8	5275	144	1	542	13	9	5817	157
China ...	" ...	56	32393	876	56	32393	876	13	7326	170	13	7326	170	69	39719	1046	69	39719	1046
	Steam ...	2	2080	120	2	2080	120	2	2080	120	2	2080	120
	" ...	58	34473	996	58	34473	996	13	7326	170	13	7326	170	71	41799	1166	71	41799	1166
Fiji ...	Sailing ...	7	1182	63	7	1182	63	7	1182	63	7	1182	63
	Steam ...	8	4413	270	8	4413	270	8	4413	270	8	4413	270
	" ...	15	5595	333	15	5595	333	15	5595	333	15	5595	333
Great Britain ...	Sailing ...	42	47342	1188	42	47342	1188	42	47342	1188	42	47342	1188
	Steam ...	8	15872	810	8	15872	810	8	15872	810	8	15872	810
	" ...	50	63214	1998	50	63214	1998	50	63214	1998	50	63214	1998
Guam ...	Sailing	1	448	12	1	448	12	1	448	12	1	448	12	
Hong Kong ...	" ...	50	36308	874	50	36308	874	33	20566	411	33	20566	411	83	56874	1285	83	56874	1285
	Steam ...	16	14628	1110	1	664	90	17	15292	1200	16	14628	1110	1	664	90	17	15292	1200
	" ...	66	50936	1984	1	664	90	67	51600	2074	33	20566	411	33	20566	411	99	71502	2395	1	664	90	100	72166	2485
Honolulu ...	Sailing ...	1	314	9	1	314	9	3	1077	28	3	1077	28	4	1391	37	4	1391	37
India ...	" ...	17	22374	469	1	871	19	18	23245	488	17	22374	469	1	871	19	18	23245	488
	Steam ...	1	1034	27	1	1034	27	1	1034	27	1	1034	27
	" ...	18	23408	496	1	871	19	19	24279	515	18	23408	496	1	871	19	19	24279	515
Japan ...	Sailing ...	9	4643	121	9	4643	121	10	7353	141	10	7353	141	19	11996	262	19	11996	262
Java ...	" ...	9	7835	189	9	7835	189	7	3798	79	7	3798	79	16	11633	268	16	11633	268
	Steam	3	2472	278	3	2472	278	3	2472	278	3	2472	278
	" ...	9	7835	189	9	7835	189	10	6270	357	10	6270	357	19	14105	546	19	14105	546
Manila ...	Sailing ...	9	5834	142	9	5834	142	8	4498	94	8	4498	94	17	10332	236	17	10332	236
Mauritius ...	" ...	5	1869	57	5	1869	57	4	1173	43	4	1173	43	9	3042	100	9	3042	100

SHIPPING—continued.

VESSELS OUTWARDS—continued.

No. 80.—RETURN showing the Total NUMBER, TONNAGE, and CREWS of VESSELS CLEARED at each Port in the Colony, in the Year 1877—continued.

Countries to which departed.	Description of Vessels.	British.									Foreign.									Total.								
		With Cargoes.			In Ballast.			Total.			With Cargoes.			In Ballast.			Total.			With Cargoes.			In Ballast.			Total.		
		Vessels.	Tons.	Crews.	Vessels.	Tons.	Crews.	Vessels.	Tons.	Crews.	Vessels.	Tons.	Crews.	Vessels.	Tons.	Crews.	Vessels.	Tons.	Crews.	Vessels.	Tons.	Crews.	Vessels.	Tons.	Crews.	Vessels.	Tons.	Crews.
New Caledonia...	Sailing ...	32	9223	358	32	9223	358	1	64	14	1	64	14	32	9223	358	1	64	14	33	9287	372
	Steam ...	18	10105	592	18	10105	592	2	332	60	2	332	60	20	10437	652	20	10437	652
New Zealand ...	Sailing ...	274	78515	2425	3	1010	29	277	79525	2454	5	1419	49	5	1419	49	279	79934	2474	3	1010	29	282	80944	2503
	Steam ...	75	68084	2622	75	68084	2622	5	1419	49	5	1419	49	75	75	68084	2622	75	68084	2622
Norfolk Island ...	Sailing ...	1	42	3	1	42	3	1	42	3	1	42	3
	Steam ...	9	5249	127	1	357	11	10	5606	138	3	1801	45	2	1017	18	5	2818	63	12	7050	172	3	1374	29	15	8424	201
Queensland ...	Sailing ...	91	10762	547	3	344	19	94	11106	566	2	886	20	2	886	20	93	11648	567	3	344	19	96	11992	586
	Steam ...	265	106685	7801	265	106685	7801	2	886	20	2	886	20	265	106685	7801	265	106685	7801
Singapore ...	Sailing ...	6	2758	74	6	2758	74	5	2841	61	5	2841	61	11	5599	135	11	5599	135
	Steam ...	1	664	80	1	664	80	1	768	80	1	768	80	2	1432	160	2	1432	160
South Australia ...	Sailing ...	168	57507	1701	4	509	25	172	58016	1726	4	1283	35	4	1283	35	172	58790	1736	4	509	25	176	59299	1761
	Steam ...	9	3563	224	9	3563	224	9	3563	224	9	3563	224
South Sea Islands ...	Sailing ...	177	61070	1925	4	509	25	181	61579	1950	4	1283	35	4	1283	35	181	62353	1960	4	509	25	185	62862	1985
	Steam ...	27	5032	316	27	5032	316	9	3044	104	9	3044	104	36	8076	420	36	8076	420
Tasmania ...	Sailing ...	71	15409	605	6	516	31	77	15925	636	71	15409	605	6	516	31	77	15925	636	
	Steam ...	36	16901	1059	36	16901	1059	36	16901	1059	36	16901	1059
Torres Straits ...	Sailing ...	107	32310	1664	6	516	31	113	32826	1695	107	32310	1664	6	516	31	113	32826	1695	
	Steam ...	2	324	13	1	16	4	3	340	17	1	380	13	1	380	13	2	324	13	2	396	17	4	720	30
Victoria ...	Sailing ...	2	324	13	2	284	18	4	608	31	1	380	13	1	380	13	2	324	13	3	664	31	5	988	44
	Steam ...	382	113510	3372	2	108	7	384	113618	3379	1	207	6	1	207	6	383	113717	3378	2	108	7	385	113825	3385
Western Australia Whaling Voyage ...	Sailing ...	342	208934	12075	2	1441	146	344	210375	12221	5	4038	392	5	4038	392	347	212972	12407	2	1441	146	349	214413	12613
	Steam ...	724	322444	15447	4	1549	153	728	323993	15600	6	4245	398	6	4245	398	730	326689	15845	4	1549	153	734	328238	15998
Total ...	Sailing ...	2	462	17	2	462	17	2	462	17	2	462	17	
	Steam ...	1	64	11	1	286	23	2	350	34	1	64	11	1	286	23	2	350	34	
General Total...	Sailing ...	1334	527009	15012	22	4017	168	1356	531026	15180	130	73591	1599	5	2003	58	135	75594	1657	1464	600600	16611	27	6020	226	1491	606620	16837
	Steam ...	788	464046	27411	4	2373	250	792	466419	27661	18	28736	1547	18	28736	1547	806	492782	28958	4	2373	250	810	495155	29208

STATISTICS—1877.

STATISTICS—1877.

SHIPPING—continued.

VESSELS OUTWARDS.—Nationality.

No. 81.—RETURN showing the NUMBER, TONNAGE, and CREWS of VESSELS of EACH NATION Cleared at Ports in the Colony, in the Year 1877.

Nationality of Vessels.	Description of Vessels.	Cleared.								
		With Cargoes.			In Ballast.			Total.		
		Vessels.	Tons.	Crews.	Vessels.	Tons.	Crews.	Vessels.	Tons.	Crews.
British ..	Sailing	268	225549	5443	1	871	19	269	229420	5462
	Steam	119	113535	7113	1	1037	120	120	114572	7233
		387	342084	12556	2	1908	139	389	343992	12695
British Possessions ..	Sailing	1066	298460	9569	21	3146	149	1087	301606	9718
	Steam	969	360511	20298	3	1336	130	672	351847	20428
		1735	648971	29867	24	4482	279	1759	653453	30146
American ..	Sailing	62	46639	820	1	810	12	63	47449	832
	Steam	7	21126	737	7	21126	737
		69	67765	1557	1	810	12	70	68575	1569
French ..	Sailing	26	9943	313	2	444	27	28	10337	340
	Steam	2	332	60	2	332	60
		28	10275	373	2	444	27	30	10719	400
Dutch ..	Sailing	1	207	6	1	207	6	2	414	12
	Steam	8	6480	719	8	6480	719
		9	6687	725	1	207	6	10	6894	731
German ..	Sailing	26	9776	283	26	9776	283
	Tongese	1	135	8	1	135	8
	Hawaiian	2	781	19	2	781	19
Swedish ..	Sailing	6	3512	78	6	3512	78
	Danish	2	397	15	2	397	15
	Norwegian	2	1128	26	1	542	13	3	1670	39
Portugese ..	Sailing	1	632	20	1	632	20
	Bolivian	1	441	11	1	441	11
	Chinese	1	798	31	1	798	31
Total ..	Sailing	1464	600600	16611	27	6020	226	1491	606620	16837
	Steam	806	492782	28958	4	2373	250	810	495155	29208
General Total		2270	1093382	45569	31	8393	476	2301	1101775	46045

VESSELS OUTWARDS.—Cleared at Ports.

No. 82.—RETURN showing the TOTAL NUMBER, TONNAGE, and CREWS of VESSELS Cleared at each Port in the Colony, in the Year 1877.

Names of Ports.	Description of Vessels.	British.									Foreign.									Total.								
		With Cargoes.			In Ballast.			Total.			With Cargoes.			In Ballast.			Total.			With Cargoes.			In Ballast.			Total.		
		Vessels.	Tons.	Crews.	Vessels.	Tons.	Crews.	Vessels.	Tons.	Crews.	Vessels.	Tons.	Crews.	Vessels.	Tons.	Crews.	Vessels.	Tons.	Crews.	Vessels.	Tons.	Crews.	Vessels.	Tons.	Crews.	Vessels.	Tons.	Crews.
Sydney ..	Sailing	312	145414	4338	22	4017	168	334	149431	4506	20	10295	245	5	2003	58	25	12298	303	332	155709	4583	27	6020	226	359	161729	4809
	Steam	540	319583	21191	4	2373	250	544	321956	21441	17	27938	1516	17	27938	1516	557	347521	22707	4	2373	250	561	349894	22957
Newcastle ..	Sailing	852	404997	25529	26	6390	418	878	471387	25947	37	38233	1761	5	2003	58	42	40236	1519	880	503230	27290	31	8393	476	920	511623	27766
	Steam	1004	379130	10566	1004	379130	10566	110	63296	1354	110	63296	1354	1114	442426	11920	1114	442426	11920
Grafton ..	Sailing	1217	513582	16227	1217	513582	16227	111	64094	1385	111	64094	1385	1328	577676	17612	1328	577676	17612
	Steam	14	1850	84	14	1850	84	14	1850	84	14	1850	84
Richmond River	Sailing	18	2896	146	18	2896	146	18	2896	146	18	2896	146
	Steam	4	615	24	4	615	24	4	615	24	4	615	24
Tweed River	Sailing	16	1008	64	16	1008	64	16	1008	64	16	1008	64
	Eden	15	7957	433	15	7957	433	15	7957	433	15	7957	433
Total ..	Sailing	1334	527009	15012	22	4017	168	1356	531026	15180	130	78591	1599	5	2003	58	135	75594	1657	1464	600600	16611	27	6020	226	1491	606620	16837
	Steam	788	404046	27411	4	2373	250	792	466419	27661	18	28736	1547	18	28736	1547	806	492782	28958	4	2373	250	810	495155	29208
General Total		2122	991055	42423	26	6390	418	2148	997445	42841	148	10237	3146	5	2003	58	153	104330	3204	2270	1093382	45569	31	8393	476	2301	1101775	46045

VESSELS OUTWARDS.

No. 83.—DECENNIAL RETURN of the NUMBER and TONNAGE of VESSELS Entered Outwards.

Year.	To Great Britain.	To British Colonies.														To South Sea Islands.	To Fisheries.	To United States of America.	To Foreign States.	Total.						
		Victoria.		South Australia.		Tasmania.		New Zealand.		Western Australia.		Queensland.		Other British Possessions.												
		No.	Tons.	No.	Tons.	No.	Tons.	No.	Tons.	No.	Tons.	No.	Tons.	No.	Tons.											
1868	46	43984	717	239530	169	56091	108	27454	359	106773	1	170	338	83341	48	20267	43	6876	52	31468	837	149495	2218	776449
1869	51	50673	776	262219	168	53016	104	27511	299	96362	323	87526	54	35207	45	7685	4	951	103	75144	809	136954	2236	833248
1870	44	45152	728	242553	123	43205	125	30708	282	97485	260	72979	52	39450	109	18665	8	2086	82	69338	253	111321	2066	771942
1871	53	56661	734	270625	199	66216	102	25891	281	94418	2	577	300	78827	50	31700	127	21654	10	2710	50	47533	215	97648	2123	794460
1872	43	45592	678	231907	166	61431	88	24066	302	102923	2	848	330	89798	203	120175	47	6276	9	2278	81	85228	142	43028	2091	813550
1873	42	44428	675	244881	188	70730	90	24397	310	105622	4	1469	326	90203	110	71300	40	8141	9	2525	76	72912	342	151066	2212	887674
1874	40	44588	691	276013	174	64388	71	21005	324	119868	1	316	305	98994	96	56930	39	6735	1	286	122	125171	304	160231	2168	974525
1875	46	56503	692	290017	221	85104	85	22895	357	126084	1	372	323	106461	86	49409	27	5505	102	116832	354	199919	2294	1059101
1876	45	54389	678	303376	218	81586	115	33003	375	142595	2	784	329	113195	197	113445	47	33288	1	286	112	115485	146	61868	2265	1053900
1877	50	63214	734	328238	185	62862	113	32826	357	149028	2	462	361	118677	141	106275	51	13671	2	350	86	107103	219	119669	2901	1101775

STATISTICS—1877.

155

SHIPPING—continued.

VESSELS BUILT AND REGISTERED.

No. 84.—RETURN showing the Number of VESSELS BUILT and REGISTERED in the Colony, in the Year 1877.

Vessels Built.			Vessels Registered.			
Description.	Number.	Tons.	Description.	Number.	Tons.	Men.
Brigantines	4	473	Registered :—			
Schooners	10	791	Barques	6	1,830	58
Ketches	15	616	Brigs	4	773	30
Cutters	3	101	Brigantines	1	184	8
Luggers	2	14	Schooners	14	1,449	72
Steamers	27	2,515	Ketches	6	194	20
			Cutters	2	39	6
			Steamers	9	2,616	100
			New Vessels :—			
			Brigantines	4	473	24
			Schooners	10	791	51
			Ketches	15	616	50
			Cutters	3	101	8
			Luggers	2	14	6
			Steamers	27	2,515	162
Total	61	4,510	Total	103	11,595	595

VESSELS BUILT AND REGISTERED.

No. 85.—DECENNIAL RETURN showing the Number of VESSELS BUILT and REGISTERED in the Colony.

Year.	Vessels Built.		Vessels Registered.		Year.	Vessels Built.		Vessels Registered.	
	No.	Tons.	No.	Tons.		No.	Tons.	No.	Tons.
1868	22	1,696	82	15,128	1873	43	2,181	94	12,908
1869	32	1,611	89	15,581	1874	52	3,413	92	12,876
1870	24	1,423	64	9,843	1875	91	6,440	130	16,100
1871	20	1,798	60	9,463	1876	60	3,465	95	12,520
1872	25	1,999	66	10,121	1877	61	4,510	103	11,595

STOCKS IN BONDED WAREHOUSES.

No. 86.—RETURN of STOCKS in BONDED WAREHOUSES at the end of the Year 1877.

Articles.	Quantities.	Articles.	Quantities.
Bacon	548 lbs.	Oil—All other	19,057 gallons
Bags and Sacks	1,425 dozen	Opium	4,241 lbs.
Beer { In wood	208,058 gallons	Paints	1 ton 1 cwt. 0 qrs. 0 lbs.
{ In bottle	38,042 "	Paper { Writing and Fancy	72,437 lbs.
Biscuits	217 lbs.	{ Brown and Wrapping	73 cwt.
Blue	6,160 "	Pepper and Spices	48,948 lbs.
Candles	182,195 "	Pickles and Sauces { Quarts	108 dozen
Cement	820 barrels	{ Pints	4,582 "
Cheese	13,985 lbs.	Powder { Blasting	135,054 lbs.
Chicory	62,715 "	{ Sporting	58,221 "
Chocolate	8,736 "	Preserves	9,561 "
Cigars	39,747 "	Rice	372 tons 4 cwt. 0 qrs. 0 lbs.
Cocoa	2,744 "	Sago	6,424 lbs.
Coffee	264,282 "	Salt { In bags	737 tons
Confectionery	988 "	{ Rock	535 "
Cordage and Rope	13 tons 17 cwt. 2 qrs. 3 lbs.	Sarsaparilla	2,279 gallons
Cornflour	41,880 lbs.	Shot	48 cwt.
Dates	206 "	Snuff	166 lbs.
Doors	41 No.	Soda Crystals	35 tons 7 cwt. 0 qrs. 0 lbs.
Dynamite	6,950 lbs.	{ Brandy	346,181 gallons
Fish—Dried, preserved or salt	323,819 "	{ Geneva	134,965 "
Fruits, bottled { Quarts	354 dozen	{ Gin	8,711 "
{ Pints	20 "	{ Liqueurs	4,349 "
Fruits, Dried	491,138 lbs.	{ Perfumed	36 "
Ginger	27,899 "	{ Rum	139,474 "
Hams	94,506 "	{ Whiskoy	51,329 "
Hops	51,617 "	{ All other	4,697 "
Iron—Galvanized	16 tons 2 cwt. 0 qrs. 14 lbs.	Starch	127,582 lbs.
Iron Wire	110 tons	Sugar	1,951 tons 13 cwt. 0 qrs. 12 lbs.
Iron Wire—Galvanized	57 "	Tea	1,754,801 lbs.
Jams and Jellies	9,600 lbs.	Tobacco { Manufactured	256,896 "
Lithofracteur	11,550 "	{ Leaf	728,631 "
Malt	1,040 bushels	Turpentine	1,600 gallons
Mustard	25,440 lbs.	Varnish	260 "
Nails	67 tons 5 cwt. 0 qrs. 20 lbs.	Vinegar	24,721 "
Nuts	41,290 lbs.	Wine	206,886 "
Oil—Kerosene	3,908 gallons	Woolpacks	81 bales

CUSTOMS REVENUE.

No. 87.—RETURN of REVENUE collected by the Department of Customs, from the 1st January to the 31st December, 1877.

Particulars of Receipt.	Rate of Duty.	Quantity.	Amount collected.	
			£	s. d.
Spirits	℥ gallon, 10s.	1,012,806 gallons	506,403	0 4
Wine—Still... ..	„ 4s.	176,734 „	35,346	15 11
Wine—Sparkling	„ 6s.	13,349 „	4,004	16 11
Ale and Beer in wood	„ 6d.	656,367 „	16,409	3 6
Ale and Beer in bottle	„ 9d.	513,506 „	19,256	10 1
Tobacco—Manufactured	℥ lb., 2s.	232,513 lbs.	23,251	7 7
Tobacco in Leaf	„ 1s.	1,149,651 „	57,482	17 0
Cigars	„ 5s.	87,191 „	21,797	18 1
Tea	„ 3d.	5,389,625 „	67,370	6 5
Coffee	„ 3d.	452,404 „	5,655	1 1
Chicory	„ 3d.	317,045 „	3,963	1 3
Sugar—Refined	℥ cwt., 6s. 8d.	6,164 cwt.	2,054	14 0
Sugar—Raw	„ 5s.	208,035 „	52,008	16 5
Molasses	„ 3s. 4d.	452 „	75	9 5
Methylated Spirits... ..	℥ gallon, 2s.	8,041 gallons	804	2 5
Opium	℥ lb., 10s.	18,345 lbs.	9,172	11 2
Rice	℥ ton, 60s.	3,246 tons	9,738	9 5
Dried Fruits	℥ lb. 2d.	5,208,314 lbs.	43,402	12 5
Nuts... ..	„ 1d.	207,932 „	866	7 8
Malt... ..	℥ bushel, 6d.	232,719 bushels	5,817	19 9
Hops	℥ lb. 3d.	484,246 lbs.	6,053	1 6
Sarsaparilla	℥ gallon, 4s.	6,792 gallons	1,358	8 5
Gold... ..	℥ oz. 1s. 6d.	1,164 ounces	87	6 6
Specific Duties	167,558	17 4
Bonded Warehouse License Fees...	5,579	19 7
Rent of Goods in Queen's Warehouse	368	17 2
Pilotage	15,357	11 8
Harbour and Lights Rates	9,072	13 10
Removal Dues	2,845	2 4
Deck Cargo Dues	98	2 0
Shipping Fees—Engaging and Discharging Seamen	4	7 3
Crown's Share of Seizures and Penalties...	579	17 2
Surplus Proceeds, sale of Overtime Goods	51	15 0
Surcharges	4	14 2
Sundries	0	7 3
Total	1,093,903	2 0

MILLS.

No. 88.—RETURN showing the Number of MILLS for Grinding and Dressing Grain in each Police District of the Colony, in the Year 1877.

Police Districts.	Steam.		Water.		Wind.		Horse.		Total.		No. of pairs of stones in operation.	Number of hands employed.		
	No.	Horse-power.	No.	Horse-power.	No.	Horse-power.	No.	Horse-power.	No.	Horse-power.		Males.	Females.	Total.
Albury	6	106	6	106	15	24	...	24
Armidale	8	110	8	110	20	25	...	25
Balranald
Bathurst	12	191	12	191	29	34	...	34
Bega	*2	20	2	20	2
Berrima	2	40	2	40	2	2	...	2
Bombala	2	32	2	32	4	5	...	5
Boorowa	1	30	1	30	2	5	...	5
Bourke
Braidwood	†3	16	1	4	4	20	4	6	...	6
Brisbane Water
Broulee	1	10	1	10	2	2	...	2
Camden, Narellan, and Picton	3	49	3	49	8	10	...	10
Campbelltown	1	13	1	10	2	23	3	2	...	2
Carcoar	3	30	3	30	9	8	...	8
Cassilis	1	15	1	15	2	4	...	4
Cooma	3	36	1	12	4	48	7	16	...	16
Coonamble	1	16	1	16	2	3	...	3
Cowra	1	50	1	50	2	6	...	6
Deniliquin	1	30	1	30	2	4	...	4
Dowling	1	3	2	2	3	5	3	3	...	3
Dubbo	1	18	1	18	3	4	...	4
Dungog	3	30	1	12	4	42	11	7	...	7
Eden	1	18	1	18	2	2	...	2
Forbes	2	20	2	20	2	9	...	9
Glen Innes	2	22	2	22	4	8	...	8
Goulburn	†8	117	8	117	18	21	...	21
Grafton
Grenfell	1	10	1	10	2	3	...	3
Gundagai	3	46	1	6	4	52	9	14	...	14
Hartley
Inverell	3	47	3	47	7	12	...	12
Kiama	2	24	2	24	4	3	...	3
Liverpool
Macleay River
Maitland	4	89	4	89	14	31	...	31
Manning River	*1	14	1	14	2
Metropolitan	15	411	15	411	66	159	...	159
Mitchell
Moama
Molong	2	35	2	35	4	6	...	6
Mudgee	6	80	6	80	12	36	...	36
Murrumbidgee
Muswellbrook and Merton	3	42	3	42	5	12	...	12
Narrabri
Newcastle	1	14	1	14	2	2	...	2
Orange	4	70	4	70	9	16	...	16
Oxley
Parramatta
Paterson	2	40	2	40	2	3	...	3
Patrick's Plains	4	39	4	39	7	16	...	16
Penrith	*1	30	1	30	1
Port Macquarie
Port Stephens	1	18	1	18	2	3	...	3
Queanbeyan	2	24	2	24	4	6	...	6
Raymond Terrace
Richmond River
Rylstone	1	10	1	10	1	3	...	3
Scone	2	24	2	24	4	5	...	5
Shoalhaven
Tamworth	3	63	3	63	11	13	...	13
Tenterfield	2	37	1	20	3	57	5	8	...	8
Tunnot	1	12	2	12	3	24	6	10	...	10
Tweed River
Vegetable Creek
Wagga Wagga	3	32	3	32	6	11	...	11
Walgett
Warialda
Wellington	2	28	2	28	5	4	...	4
Wentworth
Windsor	§3	30	*1	14	4	44	8
Wollombi	2	22	1	2	3	24	3	8	...	8
Wollongong	2	50	2	50	8	4	...	4
Yass	3	30	3	30	6	12	...	12
Young	3	136	3	136	9	13	...	13
Total...	151	2,529	8	80	1	10	3	4	163	2,623	382	623	...	623

* Not working. † Two not working. ‡ Three not working. § One not working and the other two very seldom at work.

MILLS.

No. 89.—DECENNIAL RETURN of the Number of MILLS for Grinding and Dressing Grain.

Year.	Steam.		Water.		Wind.		Horse.		Total.		Number of pairs of Stones in operation.	Number of Hands employed.		
	No.	Horse-power.	No.	Horse-power.	No.	Horse-power.	No.	Horse-power.	No.	Horse-power.		Males.	Females.	Total.
1868	146	15	10	10	181
1869	151	14	10	8	183
1870	155	16	8	8	187
1871	160	14	7	9	190
1872	159	13	6	10	188
1873	154	15	6	7	182
1874	142	12	5	13	172
1875	147	2,289	11	95	2	20	1	2	161	2,406	355
1876	150	2,481	8	77	2	20	4	12	164	2,590	355
1877	151	2,529	8	80	1	10	3	4	163	2,623	382	623	623

MANUFACTORIES,

No. 90.—RETURN showing the number of MANUFACTORIES,

Manufactories, Works, &c.— Description.	Albury.	Armidale.	Bathurst.	Bega.	Berrima.	Bombala.	Boorowa.	Bourke.	Braidwood.	Brisbane Water.	Bronlee.	Camden, Narellan, and Pictou.	Campbelltown.	Carcoar.	Cassilis.	Coonamba.	Coonamble.	Cowra.	Deniliquin.	Dowling.	Dubbo.	Dungog.	Eden.	Forbes.	Glen Innes.	Goulburn.	Grafton.	Grenfell.	Gundagai.	Hartley.	Inverell.	
	Connected with or dependent upon Agriculture, viz. :—																															
Agricultural Implement Manufactories	2		2		1																					1		2				6
Tobacco Manufactories																						2					1					
Cigar Manufactories																											1					
Snuff Manufactories																											1					
Bakeries (Steam)																																
Reaping Machines	86	975	2	2	8	1	10		6	40	212	7	9	113										7	1	9		20		10		
Threshing Machines	4	1461	4	6	6	4	17	2	24	312	2	7	2	5	4	3	7	5						1	3	32	1	15		8		
Hay-cutting Machines (Steam)	3		1																													
Hay-pressing Machines	1	23	2	4					67	4												1	3			19	3			1		
Horse-raking Machines	2	52	5	4	1		4		7	913	313			10	13	1								5	4	28	7	7		9		
Chaff-cutters	42	3359	13	36	20	25	33	2	20	129	4365	4	9	5	5	24	246	5	22	11	6	32			73		30			3		
Bone Manure Manufactories									1																							
Wine-presses	49	4	3	2			2		8	1											9	5		1		11	9		10			
Sugar Manufactories																											18					
Mowing Machines	30	31	4	2	3		2	4	16	7	21	2	10	1	7	9	1	7	1		1			1	3	12		7		9		
Corn-crushers	3	8	17	5	17		5	1	13	5	2										1	19	3			2	14	45	4	4		
Corn-shellers	5	22	60	13	9		7		3	10	60	73	11	22				5	4		10	21	20	32	2	3	28	595	8	50		
Maizena Manufactories																																
Ploughs (Steam)																																
Winnowing Machines	95	18	32	5	14	8	20	10		19	5	15	10							7	2	12	5		3	3	48	6	19	20		
Jam Manufactories								1																								
Working on Raw Materials, the Production of the Pastoral Interest, viz. :—																																
Soap and Candle Manufactories																																
Woollen Cloth Manufactories																																
Tanneries, &c.		3	6	2	2	1		4		1	2				2																	
Fellmongers, &c.		3	9	1			3	3																								
Salting and Meat-preserving Establishments																																
Boiling-down Establishments																																
Wool-washing Establishments		5					10	2																								
Wool-washing Machines (Steam)		1	1																													
Wool-pressing Machines (Steam)																																
Glue Manufactories																																
Sheep-washing Machines		1					2							4		1					2	6										
Manufacture of Food of which the Raw Material is not the produce of Agriculture, and of Articles of Drink, viz. :—																																
Distilleries* or Stills										5																						
Sugar Refineries																																
Breweries	3	2												1						2	1	2			2							
Confectionery Manufactories			2																													
Coffee, Chocolate, and Spice Works																																
Ginger-beer, Aerated Waters, Liqueurs, Cordial, Vinegar, Ink, and Blacking Manufactories	5	3	3	1	2		3	2					2		1	1	1	2		3	1			4	2	4	2	1	5	2	2	
Building Materials and Plastic Manu- factures, viz. :—																																
Brickyards	8	8	14	1	5	3		5				3	†	4	5		4	1	1	5	2	5	2		3	2	7	10	3	7	7	3
Drain-pipe Manufactories	1																															
Limekilns					1	1	4							1		12				1	1											
Potteries, &c.																																
Tile Works	1																															
Saw-mills, &c. { Steam	1	10	3	2	4		2	3	1	3	8	2																				
{ Water	3															5																
Machine Manufactories, Brass, Lead, and Iron Works, viz. :—																																
Iron and Tin Works		1			1																											
Iron, Brass, and Copper Foundries		1			1																											
Machinists, Engineers, &c.			1									1																				
Type Foundries																																

* Only two Distilleries: one at Sydney, the other at Grafton. † Not at work

Manufactories, Works, &c.— Description.	Albury.	Armidale.	Bathurst.	Bega.	Berrima.	Bombala.	Boorowa.	Bourke.	Braidwood.	Brisbane Water.	Broulee.	Camden, Narellan, and Picton.	Campbelltown.	Carcoar.	Cassilis.	Cooma.	Coonamble.	Cowra.	Deniliquin.	Dowling.	Dubbo.	Dungog.	Eden.	Forbes.	Glen Innes.	Goulburn.	Grafton.	Grenfell.	Gundagai.	Hartley.	Inverell.	
Miscellaneous Works and Manu- factories, viz. :—																																
Account-book, &c., Manufactories																																
Bark-cutting Machines ...		1	2	2	4				5		1									1			4				5					1
Bark-pressing Machines				1																	2											
Basket Manufactories																																
Bedding Manufactories																																
Bone Charcoal Manufactories																																
Boot Manufactories or shops		1	4						4												4											
Brush Manufactories																																
Cabinet Works (Steam)																																
Chemical Works																																
Clothing Manufactories					4																											
Coach and Waggon Manufactories	6	5	3					2	2					3		1				4		2										
Comb Manufactories																																
Dairy Implement Manufactories																																
Dry Docks and Floating Docks																																
Dye Establishments																																
Fire-engines																																
Firework Manufactories																																
Gas Works				1																												
Glass Stainers																																
Glass Manufactories																																
Glass Silvering Works																																
Hat Manufactories																																
Ice Manufactories		1	1																													
Indian Condiment Manufactories																																
Iron Bedstead Manufactories																																
Kerosene Oil Manufactories																																
Ladder and Barrow Manufactories																																
Mast and Block Manufactories																																
Marble Works																																
Mill Belt Manufactories																																
Organ-builders																																
Ornamental Plaster Manufactories																																
Packing-case Manufactories																																
Paper-box Manufactories																																
Paper Mills																																
Patent Slips																																
Perambulator Manufactories																																
Pianoforte Manufactories																																
Picture-frame Makers																																
Printing Establishments (Steam)		1																														
Ditto (Gas)																																
Portmanteau Manufactories																																
Railway Carriage Works																																
Rope Manufactories																																
Saddle and Harness Manufactories	5	7	6	4	2	3	4	3		2			3		3		3		5	2	5	1		5	2	5	3	2	4		3	
Sail-makers																																
Salt Works																																
Scale-makers																																
Ship and Boat Builders										9	1																					
Shirt Manufactories																																
Smelting Works (Iron)						1																										
Ditto (Copper)							2	1																								
Ditto (Tin)														3																		
Soap-powder Manufactories																																
Steam Joinery																																
Steam-vessels									3																							
Steam Washing Machines																																
Stone-crushing Machines																																
Stone-dressing Works (Steam)																																
Surgical Instrument Manufactories																																
Turners in Wood and Ivory																																
Water-works																																
Window Blind Manufactories																																
Wire-works																																
Workers in Hair Jewellery								1																								
General Total	359	160	475	67	123	52	71	38	112	27	95	378	95	214	17	85	23	32	94	31	193	59	64	63	46	294	802	14	158	21	162	

STATISTICS—1877.

WORKS, &c., &c.—continued.

in each Police District of the Colony, in the Year 1877—continued.

Police District	Works, &c., &c.	Total
Kiama		13
Liverpool	3	65
Macleay River	2	6
Maitland	1	12
Manning River	7	20
Metropolitan	8	2
Mitchell	1	38
Moama	5	1
Molong	38	4
Mudgee	1	2
Murrumbidgee	4	2
Muswellbrook and Merton	2	2
Narrabri	1	1
Newcastle	2	2
Orange	4	4
Oxley	3	3
Paramatta	6	6
Paterson	1	1
Patrick's Plains	2	2
Penrith	1	1
Port Macquarie	6	6
Port Stephens	1	1
Queanbeyan	1	1
Raymond Terrace	1	1
Richmond River	4	4
Rylstone	1	1
Scots	2	2
Shoalhaven	2	2
Tamworth	2	2
Tenterfield	2	2
Tumut	2	2
Tweed River	2	2
Vegetable Creek	2	2
Wagga Wagga	3	3
Walgett	3	3
Warialda	1	1
Wellingford	2	2
Wentworth	6	6
Windsor	7	7
Wollombi	2	2
Wollongong	5	5
Yass	2	2
Young	3	3
Total	1191	1191

MANUFACTORIES, WORKS, &c.—*continued.*

No. 91.—RETURN distinguishing the number of MANUFACTORIES, WORKS, &c., in the Metropolitan from the Country Districts, in the Year 1877, together with the number of Hands of both Sexes employed.

Manufactories, Works, &c.— Description.	Metropolitan District.			Country Districts.			General Total.					
	No. of Manu- factories, &c.	No. of Hands employed.		No. of Manu- factories, &c.	No. of Hands employed.		No. of Manu- factories, &c.	Hands employed.				
		Males.	Females.		Total.	Males.		Females.	Total.	Males.	Females.	Total.
Connected with or dependent upon Agriculture, viz. :—												
Agricultural Implement Manu- factories	2	23	...	23	46	230	...	230	48	253	...	253
Tobacco Manufactories	5	429	63	492	^a 15	40	...	40	20	469	63	532
Cigar Manufactories	2	13	...	13	2	3	...	3	4	16	...	16
Snuff Manufactories	1	1	...	1	1	1	...	1	2	2	...	2
Bakeries (Steam)	4	52	...	52	2	15	...	15	6	67	...	67
Bone Manure Manufactories	5	23	...	23	6	12	...	12	11	35	...	35
Sugar Manufactories	^b 63	1,061	4	1,065	63	1,061	4	1,065
Maizena Manufactories	1	15	6	21	1	15	6	21
Jam Manufactories... ..	3	18	4	22	3	12	...	12	6	30	4	34
	22	559	67	626	139	1,389	10	1,399	161	1,948	77	2,025
Working on Raw Materials, the Production of the Pastoral Interest, viz. :—												
Soap and Candle Manufactories ...	14	94	...	94	19	62	...	62	33	156	...	156
Woolen Cloth Manufactories ...	1 ^c	7	156	5 ⁱ	207	8	156	5 ⁱ	207
Tanneries, &c.	17	344	...	344	93	416	...	416	110	760	...	760
Fellmongers, &c.	7	96	...	96	48	202	...	202	55	298	...	298
Salting and Meat-preserving Estab- lishments	15	68	...	68	4	250	...	250	19	318	...	318
Boiling-down Establishments ...	28	58	...	58	8	31	...	31	36	89	...	89
Wool-washing Establishments ...	12	182	...	182	59	804	...	804	71	986	...	986
Glue Manufactories	2	8	...	8	2	6	...	6	4	14	...	14
	96	850	...	850	240	1,927	51	1,978	336	2,777	51	2,828
Manufacture of Food of which the Raw Material is not the produce of Agriculture, and of Articles of Drink, viz. :—												
Distilleries	1	10	...	10	1	6	...	6	2	16	...	16
Sugar Refineries	2	165	...	165	2	165	...	165
Breweries	6	279	...	279	^d 32	177	...	177	38	456	...	456
Confectionery Manufactories ...	21	280	64	344	28	59	...	59	49	339	64	403
Coffee, Chocolate, and Spice Works	6	29	...	29	6	29	...	29
Ginger-beer, Aerated Waters, Liqueurs, Cordial, Vinegar, Ink, and Blacking Manufactories ...	24	285	8	293	113	386	2	388	137	671	10	681
	60	1,048	72	1,120	174	628	2	630	234	1,676	74	1,750
Building Materials and Plastic Manufactures, viz. :—												
Brickyards	80	732	...	732	^e 256	980	3	983	336	1,712	3	1,715
Drain-pipe Manufactories	5	63	...	63	7	25	...	25	12	88	...	88
Limekilns	14	55	...	55	86	209	...	209	100	264	...	264
Potteries, &c.	8	51	...	51	6	31	...	31	14	82	...	82
Tile Works	4	10	...	10	7	17	...	17	11	27	...	27
Saw-mills, &c. { Steam	31	440	1	441	^d 166	1,172	...	1,172	197	1,612	1	1,613
{ Water	^d 18	81	...	81	18	81	...	81
	142	1,351	1	1,352	546	2,515	3	2,518	688	3,866	4	3,870
Machine Manufactories, Brass, Lead, and Iron Works, viz. :—												
Iron and Tin Works	37	506	...	506	^d 18	65	...	65	55	571	...	571
Iron, Brass, and Copper Foundries	40	940	...	940	14	92	...	92	54	1,032	...	1,032
Machinists, Engineers, &c....	27	450	...	450	17	138	...	138	44	588	...	588
Type Foundries	2	6	...	6	2	6	...	6
	106	1,902	...	1,902	49	295	...	295	155	2,197	...	2,197

^a Two not at work.^b 13 mills not at work.^c The owner declines to give any information.^d One not at work.^e Four not at work.

STATISTICS—1877.

165

MANUFACTORIES, WORKS, &c.—*continued.*No. 91 (*continued*).—RETURN of MANUFACTORIES, WORKS, &c., in the Metropolitan and Country Districts—*continued.*

Manufactories, Works, &c.— Description.	Metropolitan District.			Country Districts.			General Total.					
	No. of Manu- factories, &c.	No. of Hands employed.			No. of Manu- factories, &c.	No. of Hands employed.			No. of Manu- factories, &c.	Hands employed.		
		Males.	Females.	Total.		Males.	Females.	Total.		Males.	Females.	Total.
Miscellaneous Works and Manu- factories, viz. :—												
Account-book, &c., Manufactories	13	106	71	177	13	106	71	177
Basket Manufactories	7	22	...	22	5	9	...	9	12	31	...	31
Bedding Manufactories	8	51	16	67	12	35	7	42	20	86	23	109
Bone Charcoal Manufactories	2	10	...	10	2	10	...	10
Boot Manufactories	38	1,183	272	1,455	66*	427	33	460	104	1,610	305	1,915
Brush Manufactories	2	12	3	15	2	12	3	15
Cabinet Work (Steam)	1	10	...	10	2	16	...	16	3	26	...	26
Chemical Works	4	33	...	33	4	33	...	33
Clothing Manufactories	24	540	2,076	2,616	18	89	5	94	42	629	2,081	2,710
Coach and Waggon Manufactories	32	431	1	432	108	617	...	617	140	1,048	1	1,049
Comb Manufactories	1	2	1	3	1	2	1	3
Dairy Implement Manufactories	1	10	...	10	1	10	...	10
Dry Docks and Floating Docks	3	77	...	77	3	77	...	77
Dye Establishments	4	8	3	11	1	1	...	1	5	9	3	12
Firework Manufactories	1	4	...	4	1	4	...	4
Gas Works	3	176	...	176	8	31	...	31	11	207	...	207
Glass Stainers	10	42	...	42	10	42	...	42
Glass Manufactories	3	36	...	36	3	36	...	36
Glass Silvering Works	1	2	...	2	1	2	...	2
Hat Manufactories	13	57	70	127	13	57	70	127
Ice Manufactories	1	14	...	14	3	6	1	7	4	20	1	21
Indian Condiment Manufactories	2	7	8	15	2	7	8	15
Iron Bedstead Manufactories	1	60	...	60	1	60	...	60
Kerosene Oil Manufactories	1	49	...	49	1	40	...	40	2	89	...	89
Ladder and Barrow Manufactories	3	13	...	13	3	13	...	13
Mast and Block Manufactories	2	8	...	8	1	1	...	1	3	9	...	9
Marble Works	5	27	...	27	5	27	...	27
Mill Belt Manufactories	4	16	...	16	1	2	...	2	5	18	...	18
Organ-builders	2	8	...	8	2	8	...	8
Ornamental Plaster Manufactories	2	12	...	12	2	12	...	12
Packing-case Manufactories	4	43	...	43	1	2	...	2	5	45	...	45
Paper-box Manufactories	1	4	4	8	1	4	4	8
Paper Mills	2	46	24	70	2	46	24	70
Patent Slips	3	44	...	44	3	65	...	65	6	109	...	109
Perambulator Manufactories	3	15	...	15	3	15	...	15
Pianoforte Manufactories	1	2	...	2	1	2	...	2
Picture-frame Makers	7	24	1	25	2	3	...	3	9	27	1	28
Printing Establishments (Steam)	12	637	29	666	6	96	...	96	18	733	29	762
Ditto (Gas)	9	128	4	132	1	20	...	20	10	148	4	152
Portmanteau Manufactories	1	1	...	1	1	1	...	1
Railway Carriage Works	8	233	...	233	2	60	...	60	10	293	...	293
Rope Manufactories	6	120	...	120	6	120	...	120
Saddle and Harness Manufactories	19	179	1	180	152	505	...	505	171	684	1	685
Sail Makers	10	35	...	35	10	35	...	35
Salt Works	2	15	...	15	2	15	...	15
Scale Makers	3	4	...	4	3	4	...	4
Ship and Boat Builders	36	283	...	283	70	310	...	310	106	593	...	593
Shirt Manufactories	11	5	333	338	2	...	11	11	13	5	344	349
Smelting Works (Iron)	1	6	...	6	2	64	...	64	3	70	...	70
Ditto (Copper)	14	509	...	509	14	509	...	509
Ditto (Tin)	4	62	...	62	1	12	...	12	5	74	...	74
Soap-powder Manufactories	3	5	12	17	3	5	12	17
Steam Joinery	9	162	...	162	2	12	...	12	11	174	...	174
Steam-washing Establishments	1	4	22	26	1	4	22	26
Stone-crushing Works	1	3	...	3	1	3	...	3
Stone-dressing Works (Steam)	2	26	...	26	1	4	...	4	3	30	...	30
Surgical Instrument Manufactories	1	1	...	1	1	1	...	1
Turners in Wood and Ivory	10	21	...	21	3	7	...	7	13	28	...	28
Window Blind Manufactories	4	27	2	29	4	27	2	29
Wire-works	3	14	...	14	3	14	...	14
Workers in Hair Jewellery	2	3	1	4	3	5	...	5	5	8	1	9
	369	5,117	2,930	8,047	495	3,009	81	3,090	864	8,126	3,011	11,137
General Total	795	10,827	3,070	13,897	1,643	9,763	147	9,910	2,438	20,590	3,217	23,807

* Chiefly Boot Shops.

MANUFACTORIES, WORKS, &c., &c.—*continued.*

No. 92.—DECENNIAL RETURN showing the Number of MANUFACTORIES, WORKS, &c., &c., in the Colony.

MANUFACTORIES, WORKS, &c.	1868.	1869.	1870.	1871.	1872.	1873.	1874.	1875.	1876.	1877.
Connected with or dependent upon Agriculture, viz. :—										
Agricultural Implement	15	10	48	22	37	28	45	61	48	48
Tobacco	40	36	38	33	34	27	23	26	21	20
Cigar								2	2	4
Snuff						1		1	1	2
Bakeries (Steam)	4	6	5	6	6	3	3	4	5	6
Reaping and Threshing Machines	378	410	605	657	739	770	785	876	993	1,223
Hay-cutting Machines (Steam)				1	14	8	11	6	27	20
Hay-pressing Machines	137	131	196	190	295	290	373	289	306	401
Horse-raking Machines							1	221	495	607
Chaff-cutters	413	554	885	915	1,161	1,260	1,313	1,447	1,486	1,872
Bone Manure	9	9	8	10	9	15	10	9	9	11
Wine-presses	149	154	207	243	290	303	367	332	339	276
Cotton Gins	8									
Sugar	9	21	27	57	71	74	67	82	70	63
Millet Broom (Steam)	2	2	1			1				
Mowing Machines	72	108	166	211	284	226	345	547	582	651
Corn-crushers	177	205	250	257	356	332	326	323	450	439
Corn-shellers	662	1,238	2,235	1,871	1,852	2,143	2,592	2,437	2,531	2,797
Maizena and Starch	1	1	1	1	1	1	1	1	1	1
Harrows (Steam)	1	1	1	1	1					
Ploughs (Steam)	1	1	1	1	3					1
Winnowing Machines	29*	39	589	604	787	851	980	635	699	785
Jam Manufactories	1	1		1	2	4	3	10	7	6
Working on Raw Materials, the production of the Pastoral Interest, viz. :—										
Soap and Candle	28	27	28	31	35	30	31	32	32	33
Woollen Cloth	5	7	6	7	6	7	8	8	8	8
Tanneries, &c.	109	116	120	130	136	139	114	121	118	110
Fellmongers, &c.	19	26	23	31	31	35	35	35	41	55
Salting and Meat-preserving Establishments	20	16	22	19	20	23	23	20	17	19
Boiling-down Establishments	49	48	53	44	44	39	33	35	29	36
Wool-washing Establishments	29	38	38	35	36	36	33	53	47	71
Wool-washing Machines (Steam)			2	2	6	13	10	11	16	11
Wool-pressing Machines (Steam)	22	24	22	27	23	18	24	24	21	27
Glue Manufactories	1	1	1	1	1	2	2	1	3	4
Sheep-washing Machines		3	30	43	43	52	68	55	50	41
Manufacture of Food of which the Raw Material is not the produce of Agriculture, and of Articles of Drink, viz. :—										
Distilleries (or Stills) and Sugar Refineries	30	32	50	57	56	52	55	49	46	35
Rectifying and Compounding									1	
Breweries	17	21	25	24	26	31	31	32	34	38
Confectionery Manufactories	14	20	20	26	28	35	42	47	55	49
Coffee, Chocolate, and Spice Works	6	5	5	6	6	7	7	6	5	6
Ginger-beer, Aerated Waters, Liqueurs, Cordial, Vinegar, Ink, and Blacking Manufactories	64	87	87	92	96	93	99	113	126	137
Building Materials and Plastic Manufactures, viz. :—										
Brick-yards	212	222	230	257	277	257	282	323	320	336
Drain-pipe			1	1	7	4	8	8	9	12
Lime-kilns	118	102	103	121	107	105	104	106	121	100
Potteries, &c.	13	17	12	12	15	17	13	13	11	14
Tile Works	2	4	6	4	6	8	11	8	14	11
Saw-mills, &c.	84	83	104	112	119	126	152	196	209	215
Machine Manufactories, Brass, Lead, and Iron Works, viz. :—										
Iron and Tin Works	15	20	29	36	37	40	39	49	48	55
Iron, Brass, and Copper Foundries	26	33	35	31	41	43	41	45	45	54
Lead Works			1							
Machinists, Engineers, &c.	62	67	51	79	57	56	76	62	55	44
Type Foundries	2	2	2	2	2	2	2	2	2	2

* The number returned from two districts only.

STATISTICS—1877.

167

MANUFACTORIES, WORKS, &c., &c.—continued.

No. 92 (continued).—DECENNIAL RETURN of MANUFACTORIES, WORKS, &c., &c.—continued.

MANUFACTORIES, WORKS, &c.—continued.	1868.	1869.	1870.	1871.	1872.	1873.	1874.	1875.	1876.	1877.
Miscellaneous Works and Manufactories, viz. :—										
Air-engine for Working Machinery				1	1	1				
Account Book, &c.	5	6	7	7	9	11	12	9	12	13
Bag and Sack		1			1					
Bark-cutting Machines	39	49	45	54	61	74	67	57	61	65
Bark-pressing Machines	9	5	7	7	7	8	4	9	6	6
Basket Manufactories						1	3	6	7	12
Bone-charcoal Manufactories				1	3	1	1	1	2	2
Bedding Manufactories						2	3	14	19	20
Blue Manufactories			5						1	
Boot Manufactories	24	29	35	37	38	53	50	81	87	104
Brush Manufactories	2	3	1	1		1	1	2	2	2
Cabinet Works (Steam)			2	1	1	1	1	2	1	3
Chemical Works	2	1	2	2	2	1	1	1	1	4
Clothing Manufactories	6	9	9	11	15	19	17	32	39	42
Coach and Waggon Manufactories	65	83	91	89	85	103	99	123	144	140
Comb Manufactory						1	1	1	1	1
Crinoline	1	1	1					2	2	
Dairy Implement								1	1	1
Dry Docks and Floating Docks	3	3	3	3	4	3	3	3	3	3
Dye	8	12	10	9	9	8	8	7	5	5
Firework Manufactory			1	1	1	1	1	1	1	1
Fire-engines	21	24	25	24	22	24	22	33	33	38
Gas Works	4	6	6	6	9	9	10	11	10	11
Glass Silvering								1	1	1
Glass	3	2	1	1	2	2	3	4	4	3
Glass Stainers								2	9	10
Hat	8	8	7	9	12	13	12	13	12	13
Ice	3	3	3	3	4	4	4	7	6	4
Indian Condiment								2	2	2
Iron Bedstead										1
Kerosene Oil	4	7	5	2	2	2	2	2	2	2
Ladder and Barrow								1	3	3
Mast and Block Manufactories			3	3	3	2	2	2	4	3
Metallic Paint Manufactory					1	1	1	1		
Marble Works						2	2	3	4	5
Mill-belt								2		5
Organ-builders	1	1	1	1	1	1	1	2	2	2
Ornamental Plaster								1	1	2
Packing-case Manufactories	2	2	3	4	4	4	3	2	6	5
Paper-box Manufactory					1	1	1	1	1	1
Perambulator								1	1	3
Paper Mills	2	1	1	2	2	1	1	2	2	2
Picture Frame								5	6	9
Patent Slips	5	5	5	5	5	6	6	5	6	6
Pianoforte Manufactories									1	1
Portmanteau								1	1	1
Printing Establishment (Steam)	7	7	9	9	9	12	14	18	17	18
Do. (Gas)								2	4	10
Quartz-crushing Machines	66	66	*	*	*	*	*	*	*	*
Rice Mills						1		1	1	
Rope	6	7	4	4	4	6	6	6	6	6
Railway Carriage Works	4†	5	4	3	3	3	3	3	6	10
Saddle and Harness Manufactories						1	2	123	148	171
Sail-makers								3	4	10
Salt Works	8	2	4	2	3	1	1	2	2	2
Scale-makers								2	3	3
Ship and Boat Builders	69	73	73	86	90	103	103	104	99	106
Shirt Manufactories			4	4	5	6	6	11	14	13
Smelting Works—Iron, Copper, and Tin	4	9	10	10	12	22	25	30	31	22
Soap-powder Manufactories			1	1	1	1	1	2	1	3
Steam Joinery			1	1	3	2	4	9	9	11
Steam-vessels	114	103	93	98	105	119	131	162	175	175
Steam-washing Machines	4	6	4	3	3	2		4	3	2
Stone-crushing Machines	2	3	3	6	14	4	4	5	9	1
Stone-dressing Works (Steam)				1	3	3	2	2	4	3
Surgical Instrument Manufactory						1	1	1	1	1
Turners in Wood and Ivory								5	5	13
Water Works	6	7	4	4	5	9	6	8	7	6
Window Blind						3	1	2	3	4
Wire Works					1	1	1	2	2	3
Workers in Hair Jewellery								1	2	5
General Total	3,562	4,497	6,862	6,827	7,769	8,268	9,241	9,727	10,623	11,911

* See return of Gold-mining Machinery.

† Railways.

WOOLLENS MANUFACTURED.

No. 93.—RETURN showing the Quantity of WOOLLENS Manufactured in the Colony during the Year 1877.

Police Districts.	No. of Establishments.	No. of Hands employed.			Cloth and Tweeds.
		Males.	Females.	Total.	
Hartley	1	25	12	37	Yards. 49,900
Parramatta	4	114	19	133	174,096
Metropolitan	1*
Penrith	2	17	20	37	47,456
Total	8	156	51	207	271,452

* The owner declines to give the Collectors any information.

No. 94.—DECENNIAL RETURN of WOOLLENS Manufactured in the Colony.

Year.	No. of Establishments.	Cloth and Tweeds.	Year.	No. of Establishments.	Cloth and Tweed.
		Yards.			Yards.
1868	5	227,464	1873	7	321,070
1869	7	233,904	1874	8	458,880
1870	6	187,470	1875	8	354,700
1871	7	267,196	1876	8	395,704
1872	6	201,260	1877	8	* 271,452

* No return from one manufactory.

SOAP AND CANDLES MANUFACTURED.

No. 95.—RETURN showing the Quantity of SOAP and CANDLES Manufactured in the Colony during the Year 1877.

Police Districts.	No. of Establishments.	No. of Hands employed.	Soap.	Candles.
			Quantity.	Quantities.
Bathurst... ..	1	4	cwt. 2,000	cwt. 800
Bourke	1	2	320
Dubbo	1	2	100	10
Forbes	2	4	1,150	12
Goulburn	1	3	3,120	5,200
Grafton	1	3	3,200	60
Inverell	1	1	2½
Maitland... ..	1	9	10,500	500
Metropolitan	14	94	48,150	29,180
Mudgee	1	4	1,100	320
Newcastle	1	11	16,000	300
Orange	2	3	2,460	60
Parramatta	2	4	60	357
Tamworth	2	8	4,600	110
Tenterfield	1	1	160
Wagga Wagga	1	3	35½
Total	33	156	92,958½	36,909

STATISTICS—1877.

169

SOAP AND CANDLES MANUFACTURED—*continued.*

No. 96.—DECENNIAL RETURN of SOAP and CANDLES Manufactured in the Colony.

Year.	Number of Establishments.	Soap.	Candles.	Year.	Number of Establishments.	Soap.	Candles.
		Quantity.	Quantity.			Quantity.	Quantity.
		cwt.	cwt.			cwt.	cwt.
1868	28	81,549	14,155	1873	30	95,300	17,440
1869	27	73,943	15,636	1874	31	82,270	11,724
1870	28	64,912	11,129	1875	32	83,243	11,828
1871	31	80,652	13,568	1876	32	80,895	13,811
1872	35	80,732	13,824	1877	33	92,958	36,909

TOBACCO MANUFACTURED.

No. 97.—RETURN showing the Quantity of TOBACCO Manufactured in the Colony during the Year 1877.

Police Districts.	Number of Establishments.	Number of Hands employed.			Quantity.
		Males.	Females.	Total.	
					cwt.
Dungog	2	6	6	610
Grafton	1	2	2	20
Maitland	5	23	23	470
Manning River	2*
Metropolitan	5	429	63	492	17,841
Paterson	5	9	9	239½
Total	20	469	63	532	19,180½

* Not working.

No. 98.—DECENNIAL RETURN of TOBACCO Manufactured in the Colony.

Year.	Number of Establishments.	Quantity.	Year.	Number of Establishments.	Quantity.
		cwt.			cwt.
1868	40	7,808	1873	27	11,540½
1869	36	8,927	1874	23	14,980½
1870	38	8,165	1875	26	14,002½
1871	33	6,366½	1876	21	13,740½
1872	34	8,580	1877	20	19,180½

SUGAR MANUFACTORIES.

No. 99.—RETURN showing the Number of SUGAR MANUFACTORIES in the Colony in the Year 1877, distinguishing those worked by Steam from those worked by Cattle, together with the Produce of SUGAR and MOLASSES.

Where situated.	Number of Hands employed.			Number of Mills worked by				Quantity of Sugar manufactured.	Quantity of Molasses manufactured.
	Males.	Females.	Total.	Steam.		Cattle.			
				No.	Horse-power.	No.	Horse-power.	cwt.	gallons.
Grafton	831	831	13	368	5	22	123,000	{ 30,750 and 1,667 tons
Macleay River	15	4	19	^a 3	19	^b 11	19	8,652	
Manning River	18	18	6	12	705	
Port Macquarie	17	17	^c 2	16	^d 4	16	750	
Raymond Terrace	^e 1	6	^f 1	4	
Richmond River	150	150	9	84	^e 6	31	13,870	
Tweed River	30	30	1	10	1	4	3,767	
General Total	1,061	4	1,065	29	503	34	108	150,744	78,823 galls. 1,667 tons.

* Two not worked.

^b Five not worked.^c Not worked.^d One not worked.^e Includes one water-mill of 5 horse-power not at work.

SUGAR MANUFACTORIES—*continued.*

No. 100.—RETURN showing the Number of SUGAR MANUFACTORIES; also, the Weight of CANE crushed and the Quantity of SUGAR and MOLASSES produced from the same, during the Years 1870 to 1877.

Year.	Number of Mills.				Weight of Cane crushed.	Quantity of Sugar manufactured.	Quantity of Molasses manufactured.
	Steam.		Cattle.				
	No.	Horse-power.	No.	Horse-power.	cwt.	cwt.	gallons
1870	27				13,574
1871	57				35,836	113,151
1872	24	385	47	91	712,569	34,207	143,795
1873	*30	330	†44	109	‡264,691	‡14,400½	‡42,235
1874	23	316	44	134	§4,637,939	137,104	423,564
1875	25	349	57	150	703,529	96,910	118,170 and 2,000 tons.
1876	26	302	44	136	1,156,840	93,960	55,560 „ 1,362 „
1877	29	503	34	108	§1,999,560	150,744	78,823 „ 1,667 „

* Eight not worked. † Seven not worked. ‡ Exclusive of the operations of two steam mills belonging to the Colonial Sugar Company.
§ The weight of Cane grown—the quantity crushed at the mills could not be ascertained. || Exclusive of the operations of one mill of twenty horse-power.

REFINED SUGAR.

No. 101.—DECENNIAL RETURN of REFINED SUGAR manufactured in the Colony.

Year.	No. of Establishments.	Quantity.	Year.	No. of Establishments.	Quantity.
		cwt.			cwt.
1868	2	155,120	1873	3	180,369
1869	2	134,480	1874	6	315,995
1870	2	153,492	1875	2	225,178
1871	2	155,394	1876	2	284,544
1872	3	134,380	1877	2	259,650

TALLOW AND LARD.

No. 102.—RETURN showing the Number of LIVE STOCK slaughtered for TALLOW and LARD, and the Quantity produced during the Year 1877.

Police Districts.	Boiling-down Establishments.	Sheep slaughtered.	Horned Cattle slaughtered.	Tallow produced.	Pigs slaughtered.	Lard produced.
	No.	No.	No.	cwt. qrs. lbs.	No.	lbs.
Bathurst	1
Grafton	1	15,369	6,753	6,064 0 0	213	7,492
Maitland	1	831	101 0 22
Metropolitan	28	7,800	1,040	*55,129 0 0	3,768
Moama	1
Parramatta	1
Wellington	1
Windsor	2
Total	36	24,000	7,793	61,294 0 22	213	11,260

* A large quantity is produced from the refuse of butchers' shops.

STATISTICS—1877.

171

TALLOW AND LARD—*continued.*

No. 103.—DECENNIAL RETURN of LIVE STOCK slaughtered for TALLOW and LARD, and the Quantity produced.

Year.	Number of Boiling-down Establishments.	Sheep slaughtered.	Horned Cattle slaughtered.	Tallow produced.	Pigs slaughtered.	Lard produced.
		No.	No.	cwt.	No.	lbs.
1868	49	179,498	1,574	45,013	466	5,180
1869	48	230,550	246	67,175	1,446	6,065
1870	53	290,696	74	87,708	1,042	4,104
1871	44	306,799	133	73,737	1,268	4,636
1872	44	71,321	1,978	45,986	149	3,012
1873	39	83,302	10,357	66,600	593	4,144
1874	33	24,995	7,744	73,817	265	4,739
1875	35	29,660	49,900	1,311
1876	29	25,876	4,611	43,810	175	6,989
1877	36	24,000	7,793	61,294	213	11,260

NOTE.—A large quantity of the Tallow produced is from the refuse of butchers' shops in the Metropolitan District.

COLONIAL DISTILLED SPIRITS.

No. 104.—DECENNIAL RETURN of COLONIAL DISTILLED SPIRITS.

Year.	Materials.	Spirits (Rum).
		Proof gallons.
		cwt. qrs. lbs.
1868...	Sugar Treacle	77,431
	986 3 27 14,037 1 22	
1869...	Sugar Treacle and Molasses	20,176
	302 0 13 3,424 2 6	
1870...	Sugar Treacle	48,055
	814 1 17 8,381 3 17	
1871...	Sugar Treacle	29,687
	158 1 14 5,718 1 0	
1872...	Sugar Treacle and Molasses	36,959
	288 2 7 7,395 3 7	
1873...	Molasses	54,629
	10,543 1 18	
1874...	Molasses	85,346
	23,080 3 27	
1875...	Molasses	151,913
	30,072 2 14	
1876...	Molasses	218,308
	43,082 1 0	
1877...	Molasses	150,737
	26,531 0 0	

PART V.

PRODUCTION.

CONTENTS.

Number of Return.		Page
105	Gold received by Escort from the several Gold Fields	174
106	" " (Decennial Return)	174
107	Mines—Coal, Copper, Iron, Tin, &c.—Quantity raised and Value... ..	175
108	" Quantity raised and Value—(Decennial Return)	176
109	Live Stock—In each Police District	176
110	" —(Decennial Return)	182
111	Agriculture—(Decennial Return)	183
112	" —In each Police District	184

GOLD RECEIVED BY ESCORT.

No. 105.—RETURN showing the Quantity and Value of GOLD received by ESCORT from the several Gold Fields of the Colony, in the year 1877, and the Comparative Quality and Value of the Gold received from each of such Gold Fields as assayed by the Mint.

District.	Name of Gold Field.	Gold received.		Value of the Gold per Ounce.	Total amount of Gold received from each District.	
		Quantity.	Value.		Quantity.	Value.
		ozs.	£ s. d.	£ s. d.	ozs.	£ s. d.
Western	Sofala	5,462'06	21,074 8 11	3 17 2	71,335'46	265,135 11 3
	Bathurst	4,124'80	13,646 4 3	3 6 2		
	Carcoar	3,046'85	9,305 11 9	3 1 1		
	Hargraves	2,029'45	8,024 15 8	3 19 1		
	Hill End	17,904'92	70,351 8 3	3 18 7		
	Mudgee	5,838'76	22,041 6 4	3 15 6		
	Gulgong	11,402'82	44,803 11 7	3 18 7		
	Parkes	9,190'02	35,113 10 8	3 16 5		
	Orange	6,937'62	21,940 4 5	3 3 3		
	Stony Creek	2,275'48	8,826 19 4	3 17 7		
Southern	Forbes	193'91	696 9 2	3 11 10	23,007'25	89,063 19 0
	Wellington	2,928'77	9,311 0 11	3 3 7		
	Goulburn	13'23	50 6 7	3 16 1		
	Braidwood	5,783'29	22,313 17 2	3 17 2		
	Araluen	2,008'41	7,757 9 8	3 17 3		
	Yass	17'29	65 3 11	3 15 5		
	Adelong	12,174'93	47,634 8 3	3 18 3		
	Tumut	1,979'59	7,299 14 9	3 13 9		
	Gundagai	43'17	162 4 11	3 15 2		
	Cooma	987'34	3,780 13 9	3 16 7		
Northern	Rocky River	596'30	2,318 2 4	3 17 9	3,239'90	12,129 7 6
	Tamworth	1,402'15	5,223 0 2	3 14 6		
	Armidale	1,241'45	4,588 5 0	3 13 11		
	Total	97,582'61	366,328 17 9	97,582'61	366,328 17 9

No. 106.—DECENNIAL RETURN showing the Quantity and Value of GOLD received by ESCORT into the Branch Royal Mint, from the several Gold Districts of the Colony.

Year.	Western District.		Southern District.		Northern District.		General Total.	
	Quantity.	Value.	Quantity.	Value.	Quantity.	Value.	Quantity.	Value.
	ozs.	£	ozs.	£	ozs.	£	ozs.	£
1868	131,944	514,939	83,519	325,322	14,276	54,568	229,739	894,829
1869	130,954	506,722	80,589	310,989	12,839	49,035	224,382	866,746
1870	128,634	496,337	55,758	212,612	14,272	54,706	198,664	763,655
1871	209,394	811,026	73,262	278,045	14,272	52,710	296,928	1,143,781
1872	307,267	1,194,324	74,808	280,679	10,111	38,183	392,186	1,513,186
1873	268,418	1,036,994	50,693	192,989	9,086	34,765	328,197	1,264,748
1874	192,067	737,718	42,881	164,276	8,570	32,404	243,518	934,398
1875	153,212	583,892	42,405	160,776	6,162	23,161	201,779	767,829
1876	94,879	357,496	27,418	104,743	4,492	16,894	126,789	479,133
1877	71,335	265,136	23,007	89,064	3,240	12,129	97,582	366,329

STATISTICS—1877.

MINES.

No. 107.—RETURN showing the Quantity and Value of COAL, IRON, TIN, COPPER, &c., raised at the MINES, during the Year 1877, and the number of MINERS employed.

Where situated.	Number of Mines	Name of Mineral Substance.	Miners employed.			Quantity raised.	Value.	Remarks.
			Above ground.	Under ground.	Total.			
Newcastle	Australian Agricultural Company.	Coal	108	709	817	Tons 246,449	£ s. d. 711,172 17 1	Not at work. Boring. No coal raised.
	Waratah ...	"	12	100	112	29,427		
	South Waratah ...	"	40	150	190	33,063		
	Newcastle Wallsend	"	140	420	560	145,000		
	Co-operative ...	"	61	446	507	177,606		
	Lambton ...	"	30	391	421	164,267		
	New Lambton ...	"	50	325	375	94,372		
	Duckenfield ...	"	50	230	280	148,698		
	Brown's ...	"	30	63	93			
	Newcastle ...	"	51	240	291	50,294		
	Little Redhead ...	"		
	Redhead ...	"		
	Goose Colliery ...	"	1	4	5	1,793		
	Bevan & Co. ...	"	1	3	4	250		
Australasia ...	"	30	20	50	1,240			
Four-mile Creek	Alnwick ...	"	Not at work.	
	Nott, Ward, & Co. ...	"	Not at work.	
Maitland..	Jesmond ...	"	Not at work.	
	Various Collieries..	"	15	77	92	25,322	Not at work.	
Singleton..	Greta Coal & Shale	"	47	190	237	33,123	Not at work.	
	Stony Creek ...	"	Not at work.	
Catherine Hill Bay	Rathluba ...	"	Not at work.	
	Rix's Creek ...	"	1	1	2	485	Not at work.	
Murrurundi,	New Wallsend ...	"	Not at work.	
	Mount Wingin ...	"	Not at work.	
Illawarra	Bulli ...	"	68	206	274	121,392	129,163 8 0	Preliminary work in progress.
	North Bulli ...	"		
	Mount Pleasant ...	"	34	95	129	50,277		
	Osborne, Wallsend	"	42	84	126	45,271		
Berrima...	Coal Cliff ...	"	Preliminary work in progress.	
	Brereton's... ..	"	Not at work.	
Hartley ...	Lithgow Valley ...	"	4	28	32	26,074	18,662 3 1	Not at work.
	Esk Bank ...	"	4	17	21	21,891		
Wallerawang	Bowenfels ...	"	2	13	15	10,362	17,355	Not at work.
	Vale of Clwydd ...	"	5	17	22	260		
Hartley Vale	Cooperwell ...	"	...	2	2	260	...	Not at work.
	Bulkeley & Cocks'	"	Not at work.
			40	3,831	4,657	1,444,271	858,998 8 2	
Hartley Vale	New South Wales Shale and Oil Company.	Shale	21	76	97	15,972	46,524 10 0	
	Berrima... Joadja ...	"	6	2	8	600		
Wollongong, Mount Kembla	Joadja ...	"	9	6	15	50	2,341	
	Australian Kerosene Oil and Mineral Company.	"	2	13	15	2,341		
			4	97	135	18,963	46,524 10 0	
Bathurst	Copper (ore)	100	3,756	11,849 0 0	Value of machinery £1,750 Do £3,000 Do £750 Do £600
Tuena	" (regulus)	70	302	15,100 0 0	
Oberon	" (ore)	20	1,042	3,715 0 0	
Bourke	Copper	120	1,040	62,400 0 0	
Gundagai	" (regulus)	20	164	3,854 0 0	
Bingera	" (ore)	4	150	525 0 0	
			334	6,454	97,443 0 0	
Tingha	Tin (ore)	800	1,800	57,600 0 0	Do £7,000
Glen Innes	" "	30	100	3,000 0 0	Do £850
Tenterfield	" "	387	1,400	49,000 0 0	
Vegetable Creek...	...	" "	600	1,749	61,215 0 0	
Wilson's Downfall	...	" "	630	1,395	48,825 0 0	
			2,447	6,444	219,640 0 0	
Berrima	Iron (ore)	30	1,600	7,200 0 0	At work only first three months of the year.
Hartley	" "	700	350 0 0	
Bathurst...	...	" "	300	50 0 0	
			2,600	7,600 0 0	
Lunatic	Antimony (ore)	47	564 0 0	

No. 108.—DECENNIAL RETURN of the Number of COAL MINES, and the Quantity raised, and its value.

Year.	Number.	Quantity.	Value.	Year.	Number.	Quantity.	Value.
		tons	£ s. d.			tons	£ s. d.
1868	28 ^a	954,230 ³ / ₄	417,809 6 1	1873	29 ¹	1,192,861 ¹ / ₂	665,746 17 3
1869	33 ^b	919,773 ³ / ₄	346,145 16 5	1874	30	1,304,567	790,224 19 2
1870	32 ^c	868,564 ¹ / ₄	316,835 16 4	1875	26	1,253,475	765,133 11 2
1871	27 ^d	898,784 ¹ / ₂	316,340 2 1	1876	36	1,319,918	803,300 5 6
1872	26 ^d	1,012,426 ¹ / ₂	396,197 19 10	1877	40 ^f	1,444,271	858,998 8 2

^a Five Mines not worked.
^b Seven do.
^c Six do.

^d Four Mines not worked.
^e Eleven do.
^f Ten not at work, two preliminary work in progress, and one boring.

LIVE STOCK.

No. 109.—ABSTRACT RETURN showing the Number of LIVE STOCK in each POLICE DISTRICT of the Colony, for the Year ending 31st March, 1878, distinguishing the number possessed by—

- A. Freeholders under Conditional Purchase.
 B. Other Freeholders.
 C. Leaseholders of Land Conditionally Purchased.
 D. Other Leaseholders.

Name of Police District.	Number of Stockholders.	Description of Stock.				Totals.
		Horses.	Horned Cattle.	Sheep.	Pigs.	
		Number.	Number.	Number.	Number.	
Albury	{ A ... 845 B ... 157 C ... 145 D ... 37	6,350	23,441	386,892	2,242	418,925
		1,643	7,550	254,302	427	263,922
		1,482	12,698	46,583	273	61,036
		341	3,237	19,229	107	22,914
	Total	1,184	9,816	46,926	797,006	3,049
Armidale	{ A ... 608 B ... 204 C ... 58 D ... 73	5,772	30,821	264,704	2,002	303,299
		3,433	40,291	295,538	478	339,740
		710	4,387	62,077	185	67,359
		1,441	46,568	218,568	1,288	267,865
	Total	943	11,356	122,067	840,887	3,953
Balranald	{ A ... 26 B ... 13 C D ... 14	255	739	310	74	1,378
		332	1,116	600	15	2,063
	
		707	15,437	654,799	45	670,988
	Total	53	1,294	17,292	655,709	134
Bathurst	{ A ... 260 B ... 419 C ... 14 D ... 400	2,569	6,827	60,535	785	70,716
		4,772	15,116	133,526	1,853	155,267
		56	173	1,274	33	1,536
		3,229	7,998	54,171	1,039	66,437
	Total	1,093	10,626	30,114	249,506	3,710
Bega	{ A ... 346 B ... 68 C ... 8 D ... 13	2,773	34,528	365	8,266	45,932
		569	9,855	265	2,349	13,038
		43	711	26	255	1,035
		110	284	30	269	693
	Total	435	3,495	45,378	686	11,139
Berrima	{ A ... 363 B ... 197 C ... 55 D ... 140	1,128	11,614	3,328	1,206	17,276
		1,308	13,132	10,627	905	25,972
		164	1,833	1	220	2,218
		762	8,932	7,845	823	18,362
	Miscellaneous	89	93	5	20
Total	755	3,451	35,604	21,806	3,174	64,035

STATISTICS—1877.

177

LIVE STOCK—continued.

Name of Police District.		No. of Stockholders.	Description of Stock.				Totals.
			Horses.	Horned Cattle.	Sheep.	Pigs.	
			Number.	Number.	Number.	Number.	
Bombala	A...	132	2 418	19,431	158,307	497	180,653
	B...	40	1,046	8,777	97,510	218	107,551
	C...	3	14	217	4,000	3	4,234
	D...	4	107	612	515	12	1,246
	Total	179	3,585	29,937	260,332	730	293,684
Boorowa	A...	208	1,987	5,787	135,171	671	143,616
	B...	51	779	2,760	70,968	192	74,699
	C...	2	11	35	1,130	1,176
	D...	8	38	80	4,055	10	4,183
	Total	269	2,815	8,662	211,324	873	223,674
Bourke	A...	18	247	1,052	2,445	154	3,898
	B...	12	306	1,425	7,810	82	9,623
	C...	1	5	5
	D...	78	4,825	138,256	1,327,993	945	1,472,019
	Total	109	5,383	140,733	1,338,248	1,181	1,485,545
Braidwood	A...	204	1,650	16,429	5,645	603	24,327
	B...	274	2,758	29,903	10,974	960	44,595
	C...	28	279	1,018	210	47	1,554
	D...	74	555	3,109	325	180	4,169
	Total	580	5,242	50,459	17,154	1,790	74,645
Brisbane Water	A...	82	282	1,381	385	2,048
	B...	151	536	4,215	156	803	5,710
	C...	8	29	76	29	134
	D...	16	65	249	104	418
	Total	257	912	5,921	156	1,321	8,310
Broulee	A...	127	768	6,057	2,043	8,868
	B...	81	883	7,325	90	2,252	10,550
	C...	19	138	352	378	868
	D...	33	314	2,445	80	1,005	3,844
	Total	260	2,103	16,179	170	5,678	24,130
Camden, Narellan, and Picton	A...	109	502	2,548	9	344	3,403
	B...	247	2,474	24,200	8,528	2,912	38,114
	C...	5	19	165	17	201
	D...	351	1,979	15,000	1,523	1,922	20,424
	Total	712	4,974	41,913	10,060	5,195	62,142
Campbelltown	A...	7	18	236	19	273
	B...	83	662	3,115	1,737	245	5,759
	C...
	D...	108	463	2,516	161	245	3,385
	Total	198	1,143	5,867	1,898	509	9,417
Carcoar	A...	203	1,905	4,278	85,622	720	92,525
	B...	202	3,037	9,187	201,491	876	214,591
	C...	17	113	692	6,043	48	6,896
	D...	39	579	1,524	31,830	150	34,083
	Total	461	5,634	15,681	324,986	1,794	348,095
Cassilis	A...	222	2,153	6,590	141,246	369	150,358
	B...	26	319	2,922	36,956	112	40,309
	C...	8	104	540	19,490	10	20,144
	D...	1	160	160
	Total	257	2,576	10,212	197,692	491	210,971
Cooma	A...	314	5,259	28,536	319,824	926	354,545
	B...	55	1,198	11,410	120,253	122	132,983
	C...	18	229	725	8,402	30	9,386
	D...	32	952	12,047	28,175	59	41,233
	Miscellaneous	30	45	270	9	354
Total	419	7,668	52,763	476,924	1,146	538,501	
Coonamble	A...	153	1,384	6,009	73,163	186	80,742
	B...	28	575	2,169	63,194	79	66,017
	C...	8	47	224	1,800	9	2,080
	D...	41	630	13,854	221,385	305	236,174
	Total	230	2,636	22,256	359,542	579	385,013

LIVE STOCK—continued.

Name of Police District.	No. of Stockholders.	Description of Stock.				Totals.	
		Horses.	Horned Cattle.	Sheep.	Pigs.		
		Number.	Number.	Number.	Number.		
Cowra	A ...	209	1,908	4,121	62,653	354	69,036
	B ...	31	922	3,149	87,918	69	92,058
	C ...	10	70	211	1,000	5	1,286
	D ...	9	356	724	16,460	37	17,577
	Total	259	3,256	8,205	168,031	465	179,957
Deniliquin	A ...	454	1,830	6,787	184,788	665	194,070
	B ...	71	3,230	15,967	1,107,201	321	1,126,719
	C ...	5	34	55	50	28	167
	D ...	10	104	54	200	44	402
	Miscellaneous	455	735
Total	540	5,653	23,598	1,292,239	1,058	1,322,548	
Dowling	A ...	84	229	2,338	21	542	3,130
	B ...	85	385	6,204	1,387	1,759	9,735
	C ...	10	15	136	19	170
	D ...	61	230	2,624	37	1,404	4,295
	Total	240	859	11,302	1,445	3,724	17,330
Dubbo	A ...	431	3,140	8,595	84,717	956	97,408
	B ...	102	1,172	6,936	169,813	238	178,159
	C ...	19	136	1,068	9,959	69	11,232
	D ...	144	4,474	104,275	727,098	436	836,283
	Total	696	8,922	120,874	991,587	1,699	1,123,082
Dungog	A ...	88	339	2,960	60	629	3,988
	B ...	105	955	9,561	3,667	1,744	15,927
	C ...	9	38	377	107	522
	D ...	121	586	3,555	20	2,066	6,227
	Total	323	1,918	16,453	3,747	4,546	26,664
Eden	A ...	98	884	12,071	1,286	1,110	15,351
	B ...	60	581	4,470	96	931	6,078
	C ...	1	5	5	1	11
	D ...	18	128	2,151	8	146	2,433
	Total	177	1,598	18,697	1,390	2,188	23,873
Forbes	A ...	303	3,625	32,714	352,397	595	389,331
	B ...	102	1,481	16,217	175,814	178	193,090
	C ...	3	49	800	170	3	1,022
	D ...	30	1,105	26,287	222,851	48	250,291
	Total	438	6,260	76,018	751,232	824	834,334
Glen Innes	A ...	156	1,279	4,982	50,687	528	57,476
	B ...	29	394	4,621	33,452	145	38,612
	C ...	14	110	131	316	74	631
	D ...	29	2,347	66,443	104,359	120	173,269
	Total	228	4,130	76,177	188,814	867	269,988
Goulburn	A ...	774	5,582	33,208	62,453	2,219	103,462
	B ...	387	3,335	31,988	70,903	1,493	107,719
	C ...	40	198	695	2,113	72	3,078
	D ...	240	1,985	16,585	22,480	1,046	42,096
	A and B (combined)	32	316	3,747	18,436	99	22,598
Total	1,473	11,416	86,223	176,385	4,929	278,953	
Grafton... ..	A ...	465	3,786	39,148	941	2,940	46,815
	B ...	291	2,711	29,602	91	1,836	34,240
	C ...	78	368	894	22	312	1,596
	D ...	239	1,328	5,094	6	1,593	8,021
	Total	1,073	8,193	74,738	1,060	6,681	90,672
Grenfell	A ...	184	1,403	16,707	149,452	343	167,905
	B ...	13	289	1,265	61,239	116	62,909
	C ...	3	37	62	16,100	3	16,202
	D ...	4	24	6	855	7	892
	Total	204	1,753	18,040	227,646	469	247,908
Gundagai	A ...	544	5,504	31,885	220,861	916	259,166
	B ...	145	1,207	11,842	32,116	557	45,722
	C ...	13	59	39	7,776	1	7,875
	D ...	27	188	865	10,410	88	11,551
	Total	729	6,958	44,631	271,163	1,562	324,314

STATISTICS—1877.

179

LIVE STOCK—continued.

Name of Police District.	No. of Stockholders.	Description of Stock.				Totals.	
		Horses.	Horned Cattle.	Sheep.	Pigs.		
		Number.	Number.	Number.	Number.		
Hartley	A ...	190	1,891	8,770	12,796	759	24,216
	B ...	140	1,968	9,421	33,971	1,101	46,461
	C ...	3	6	39	31	4	80
	D ...	71	624	2,184	3,079	323	6,210
	Total	404	4,489	20,414	49,877	2,187	76,967
Inverell	A ...	221	1,748	3,123	70,146	851	75,868
	B ...	52	1,278	18,056	109,634	282	129,250
	C ...	17	101	103	759	40	1,003
	D ...	3	106	3,568	35,600	11	39,285
	Total	293	3,233	24,850	216,139	1,184	245,406
Kiama	A ...	8	13	184	100	297
	B ...	202	1,008	11,568	437	2,775	15,788
	C ...	21	37	522	79	638
	D ...	342	1,363	17,122	371	5,943	24,799
	Total	573	2,421	29,396	908	8,797	41,522
Liverpool	A ...	2	4	68	5	9	86
	B ...	123	602	3,390	502	477	4,971
	C
	D ...	105	582	3,287	4,662	387	8,918
	Total	230	1,188	6,745	5,169	873	13,975
Macleay River	A ...	459	3,000	34,345	234	3,605	41,184
	B ...	180	1,283	9,635	58	1,499	12,475
	C ...	66	226	818	5	543	1,592
	D ...	214	919	3,058	7	2,247	6,231
	Total	919	5,428	47,856	304	7,894	61,482
Maitland	A ...	65	220	1,223	105	1,548
	B ...	335	2,152	12,014	3,931	1,488	19,585
	C ...	10	36	175	13	224
	D ...	534	2,703	11,603	3,964	2,645	20,915
	Miscellaneous	420	220	88	140	868
Total	944	5,531	25,235	7,983	4,391	43,140	
Manning River... ..	A ...	185	826	4,927	30	1,778	7,561
	B ...	293	2,325	13,012	237	5,349	20,923
	C ...	12	69	166	68	303
	D ...	268	1,404	5,941	167	3,959	11,471
	Total	758	4,624	24,046	434	11,154	40,258
Metropolitan	A ...	3	3	1	4
	B ...	1,197	2,737	4,080	1,838	3,677	12,332
	C
	D ...	390	1,417	1,885	373	1,045	4,720
	Miscellaneous	581	683	100	320	1,684
Total	1,590	4,738	6,648	2,311	5,043	18,740	
Mitchell	A ...	43	446	474	13,900	234	15,054
	B ...	12	833	13,985	428,480	18	443,316
	C ...	3	26	14	40	4	84
	D ...	27	2,631	32,978	632,677	17	668,303
	Total	85	3,936	47,451	1,075,097	273	1,126,757
Moama	A ...	175	735	2,850	20,114	182	23,881
	B ...	29	545	1,502	160,755	30	162,832
	C ...	6	17	142	4	163
	D ...	3	7	64	29	22	122
	Miscellaneous	63	20	5	18	106
Total	213	1,367	4,578	180,903	256	187,104	
Molong	A ...	590	4,296	7,932	165,421	1,042	178,691
	B ...	45	631	1,509	87,089	142	89,371
	C ...	9	46	43	320	5	414
	D ...	20	163	494	75,637	27	76,321
	Total	664	5,136	9,978	328,467	1,216	344,797
Mudgee	A ...	356	2,602	8,080	35,936	645	47,263
	B ...	148	2,441	4,969	106,998	560	114,968
	C ...	8	38	51	7	96
	D ...	101	686	1,021	1,851	448	4,006
	Total	613	5,767	14,121	144,785	1,660	166,333

LIVE STOCK—continued.

Name of Police District.	No. of Stockholders.	Description of Stock.				Totals.	
		Horses.	Horned Cattle.	Sheep.	Pigs.		
		Number.	Number.	Number.	Number.		
Murrurundi	{ A ...	254	2,084	7,084	148,773	578	158,519
	{ B ...	49	785	3,868	34,752	127	39,532
	{ C ...	32	248	358	2,093	123	2,822
	{ D ...	17	320	1,005	38,002	13	39,340
	Miscellaneous	108	26	4	23	161
Total	352	3,545	12,341	223,624	864	240,374
Muswellbrook	{ A ...	241	2,345	14,017	19,666	597	36,625
	{ B ...	32	1,050	10,970	14,897	173	27,090
	{ C ...	11	175	481	70	48	774
	{ D ...	4	88	655	50	15	808
	Total	288	3,658	26,123	34,683	833
Narrabri	{ A ...	123	1,669	5,780	33,218	616	41,283
	{ B ...	25	448	2,291	7,109	122	9,970
	{ C ...	6	78	177	168	73	496
	{ D ...	36	1,821	77,233	226,345	244	395,643
	Total	190	4,016	85,481	266,840	1,055
Newcastle	{ A ...	58	201	752	33	135	1,121
	{ B ...	59	370	1,354	760	550	3,034
	{ C ...	7	27	116	40	183
	{ D ...	65	346	1,729	110	607	2,852
	Total	189	944	3,751	903	1,392
Orange	{ A ...	261	2,513	5,592	18,933	1,244	28,282
	{ B ...	143	1,971	5,340	40,858	659	48,828
	{ C ...	39	325	487	6,011	91	6,914
	{ D ...	47	277	703	2,703	188	3,871
	Total	490	5,086	12,122	68,505	2,182
Oxley	{ A ...	291	2,687	6,107	242,468	796	252,058
	{ B ...	68	4,006	39,786	1,981,783	228	2,025,803
	{ C ...	6	74	13	152	62	301
	{ D ...	65	2,898	18,158	1,081,721	138	1,102,915
	Miscellaneous	215	9	6	1	231
Total	430	9,880	64,073	3,306,130	1,225	3,381,308
Parramatta	{ A ...	9	22	45	19	86
	{ B ...	545	1,579	4,231	1,478	1,452	8,740
	{ C
	{ D ...	161	464	1,801	6,059	558	8,882
	Miscellaneous	235	149	218	602
Total	715	2,300	6,226	7,537	2,247	18,310
Paterson	{ A ...	90	435	3,226	12	538	4,211
	{ B ...	60	955	10,845	2,291	983	15,074
	{ C ...	5	11	35	12	58
	{ D ...	128	847	5,080	40	1,790	7,757
	Total	283	2,248	19,186	2,343	3,323
Patrick's Plains	{ A ...	216	1,682	10,108	4,416	826	17,032
	{ B ...	178	2,721	20,496	28,936	1,226	53,379
	{ C ...	13	61	236	13	62	372
	{ D ...	154	1,060	7,826	17,517	1,078	27,481
	Total	561	5,524	38,666	50,882	3,192
Penrith	{ A ...	6	32	43	1	76
	{ B ...	204	1,566	5,183	1,370	1,196	9,315
	{ C ...	1	3	10	13
	{ D ...	269	1,530	10,865	2,545	1,112	16,052
	Miscellaneous	185	105	12	119	421
Total	480	3,316	16,206	3,927	2,428	25,877
Port Macquarie	{ A ...	125	868	6,345	25	1,763	9,001
	{ B ...	141	1,010	9,248	618	2,267	13,143
	{ C ...	14	33	321	232	586
	{ D ...	55	483	2,932	756	4,171
	Total	335	2,394	18,846	643	5,018
Port Stephens	{ A ...	134	866	8,243	710	1,565	11,384
	{ B ...	95	952	23,288	3,908	1,409	29,557
	{ C ...	17	84	384	182	650
	{ D ...	89	841	7,758	103	1,759	10,461
	Total	335	2,743	39,673	4,721	4,915

STATISTICS—1877.

181

LIVE STOCK—continued.

Name of Police District.	No. of Stockholders	Description of Stock.				Totals.	
		Horses.	Horned Cattle.	Sheep.	Pigs.		
		Number.	Number.	Number.	Number.		
Queanbeyan	A ...	358	2,998	12,842	62,279	656	78,775
	B ...	106	2,976	27,785	150,558	337	181,656
	C ...	8	73	233	10	316
	D ...	74	906	6,246	53,611	210	60,973
Total	546	6,953	47,106	266,448	1,213	321,720	
Raymond Terrace	A ...	29	194	1,067	105	1,366
	B ...	118	1,044	6,366	224	808	8,442
	C ...	2	4	27	6	37
	D ...	172	1,104	5,950	907	1,641	9,602
Total	321	2,346	13,410	1,131	2,560	19,447	
Richmond River	A ...	552	3,288	29,806	64	2,358	35,516
	B ...	104	2,220	107,795	3,367	303	113,685
	C ...	29	136	512	116	764
	D ...	20	212	2,624	67	2,903
Total	705	5,856	140,737	3,431	2,844	152,868	
Rylstone	A ...	223	1,701	6,969	30,160	547	39,377
	B ...	49	1,049	6,909	93,008	260	101,226
	C ...	3	25	60	480	565
	D ...	21	323	1,561	13,081	176	15,141
Total	296	3,098	15,499	136,729	983	156,309	
Scone	A ...	238	2,115	14,149	29,737	321	46,322
	B ...	69	1,636	24,117	151,940	200	177,893
	C ...	5	81	1,295	1,512	2,888
	D ...	14	237	672	2,753	49	3,711
Total	326	4,069	40,233	185,942	570	230,814	
Shoalhaven	A ...	245	730	7,935	27	1,661	10,353
	B ...	137	1,193	8,664	445	1,356	11,658
	C ...	30	55	946	193	1,194
	D ...	395	2,253	10,691	204	3,740	16,888
Total	807	4,231	28,236	676	6,950	40,093	
Tamworth	A ...	432	4,962	20,342	189,812	1,600	216,716
	B ...	93	1,905	12,497	449,428	446	464,276
	C ...	60	601	1,059	7,317	195	9,172
	D ...	34	300	1,601	48,497	125	50,523
Total	619	7,768	35,499	695,054	2,366	740,687	
Tenterfield	A ...	199	1,899	17,403	16,192	671	36,165
	B ...	65	496	5,009	1,068	314	6,887
	C ...	2	15	54	10	79
	D ...	13	246	12,938	13,859	13	27,056
Total	279	2,656	35,404	31,119	1,008	70,187	
Tumut	A ...	291	3,306	20,164	58,169	1,085	82,724
	B ...	106	1,226	9,828	40,431	510	51,995
	C ...	13	87	763	2	65	917
	D ...	64	395	1,689	535	83	2,702
Total	474	5,014	32,444	99,137	1,743	138,338	
Tweed River	A ...	61	187	993	378	1,558
	B ...	2	24	360	20	404
	C ...	4	8	35	23	66
	D
Total	67	219	1,388	421	2,028	
Vegetable Creek	A ...	15	107	342	2,533	69	3,051
	B ...	5	427	5,801	75,700	44	81,972
	C
	D ...	1	3	3
Total	21	537	6,143	78,233	113	85,026	
Wagga Wagga	A ...	500	3,643	18,353	172,047	684	194,727
	B ...	93	1,566	12,014	497,944	357	511,881
	C ...	15	76	157	1,351	61	1,648
	D ...	37	787	5,069	476,416	96	482,368
Total	645	6,072	35,593	1,147,761	1,198	1,190,624	

LIVE STOCK—continued.

Name of Police District.	No. of Stock-holders.	Description of Stock.				Totals.	
		Horses.	Horned Cattle.	Sheep.	Pigs.		
		Number.	Number.	Number.	Number.		
Walgett...	A ...	12	230	886	4,518	96	5,730
	B ...	1	30	20	50
	C
	D ...	41	2,327	100,236	226,237	130	328,930
Total	54	2,587	101,142	230,755	226	334,710	
Warialda	A ...	217	3,478	24,175	104,438	840	132,931
	B ...	71	2,790	57,106	207,353	381	267,630
	C ...	6	219	409	11,255	15	11,898
	D ...	54	4,392	151,227	512,890	208	668,717
Total	348	10,879	232,917	835,936	1,444	1,081,176	
Wellington	A ...	272	2,055	3,313	46,670	1,556	53,594
	B ...	191	2,280	5,254	198,940	748	207,222
	C ...	14	105	48	1,340	15	1,508
	D ...	30	232	310	16,082	123	16,747
Total	507	4,672	8,925	263,032	2,442	279,071	
Wentworth	A ...	43	336	1,440	2,970	145	4,891
	B ...	10	238	378	1,920	24	2,560
	C ...	4	43	60	16	17	136
	D ...	15	631	5,473	566,769	23	572,896
Total	72	1,248	7,351	571,675	209	580,483	
Windsor	A ...	28	164	820	157	371	1,512
	B ...	390	3,456	9,763	2,464	3,417	19,100
	C ...	5	46	84	52	182
	D ...	306	1,795	4,102	287	2,621	8,805
Total	729	5,461	14,769	2,908	6,461	29,599	
Wollombi	A ...	85	482	3,218	630	269	4,599
	B ...	116	1,192	7,813	381	1,005	10,391
	C ...	6	32	98	35	165
	D ...	94	594	2,656	260	599	4,109
Total	301	2,300	13,785	1,271	1,908	19,264	
Wollongong	A ...	62	135	1,166	199	1,500
	B ...	195	763	7,290	819	1,882	10,754
	C ...	14	40	240	33	313
	D ...	296	1,092	11,335	249	3,183	15,769
Total	567	1,940	20,031	1,068	5,297	28,336	
Yass	A ...	437	3,561	11,976	149,861	779	166,177
	B ...	150	2,293	9,956	129,698	501	142,448
	C ...	6	40	76	1,465	3	1,584
	D ...	49	389	1,760	51,329	120	53,598
Total	642	6,283	23,768	332,353	1,403	363,807	
Young	A ...	484	3,640	12,600	210,650	949	227,839
	B ...	108	956	2,439	107,554	263	111,212
	C ...	22	115	580	2,301	35	3,031
	D ...	13	113	154	25,140	11	25,418
Total	627	4,824	15,773	345,645	1,258	367,500	
Totals—							
A ...	16,995	137,328	751,097	4,675,732	66,517	5,630,674	
B ...	10,263	108,268	903,495	8,224,154	65,233	9,301,150	
C ...	1,156	8,084	39,746	225,246	4,807	277,883	
D ...	7,395	71,773	1,046,215	7,818,186	54,153	8,990,327	
A and B combined (Goulburn)	32	316	3,747	18,436	99	22,598	
Miscellaneous	2,381	2,085	490	868	5,824	
General Total...	35,661	328,150	2,746,385	20,962,244	191,677	24,228,456	

No. 110.—DECENNIAL RETURN of LIVE STOCK in the Colony.

Year ended 31 March.	Horses.	Horned Cattle.	Sheep.	Pigs.	Year ended 31 March.	Horses.	Horned Cattle.	Sheep.	Pigs.
1869	No. 280,818	No. 1,761,411	No. 15,080,625	No. 176,901	1874	No. 334,462	No. 2,794,327	No. 20,501,506	No. 240,680
1870	280,304	1,795,904	14,989,923	175,924	1875	346,691	2,856,699	22,872,882	219,958
1871	337,597	2,195,096	16,308,585	243,066	1876	357,096	3,134,086	24,382,536	199,950
1872	304,100	2,014,888	16,278,697	213,193	1877	366,703	3,131,013	24,503,388	173,604
1873	328,408	2,287,660	17,560,048	218,904	1878	328,150	2,746,385	20,962,244	191,677

AGRICULTURE.

No. 111.—DECENNIAL RETURN showing the Quantity of LAND under Crop, and the PRODUCE of the same, &c., in the Colony.

Year ended 31 March.	Crops.																				Produce.																
	Wheat.	Maize.	Barley.	Oats.	Cotton.	Rye.	Millet.	Potatoes.	Tobacco.	Hops.	Arrowroot.	Sorghum and Imphee.	Sugar-cane.		Sown Grasses, Oats, Wheat, and Barley for Hay.	Vines.	Sown Grasses, Oats, Barley, Sorghum, &c., for Green Food for Cattle.	Gardens and Orchards.	All other in Crop.	Total Number of Acres in Crop.	Wheat.	Maize.	Barley.	Oats.	Cotton.	Rye.	Millet.	Potatoes.	Tobacco.	Hops.	Arrowroot.	Sorghum and Imphee (Grain).	Sugar.	Vines.			
													Productive.	Unproductive.																				Wine.	Brandy.	Fruit for Table use.	
acres	acres	acres	acres	acres	acres	acres	acres	acres	acres	acres	acres	acres	acres	acres	acres	acres	acres	acres	acres	acres	bush.	bush.	bush.	bush.	lbs.	bush.	bush.	tons	cwt.	lbs.	lbs.	cwt.	lbs.	tons	galls.	galls.	tons
1869	164206½	120807	6397½	12129½	..	2187½	156	16301¼	875	..	143	261¼	2584¼	67761½	3116½	21193½	13529	3145	434756¼	1787085	3777405	94715	164687	..	23164½	1931	30768	7925	..	14236	5240	3264824	80543½	412587	1888	693	
1870	189452	128041¼	9151½	17301½	..	2378	134	17132½	366¼	..	313	296¼	3917½	75034½	3906½	17375¼	14516	3289	482324½	3200950	4880805	148617	400766	..	37434	1806¼	54200¼	3192	..	34046	8460	3563704	131985½	460321	1687	955½	
1871	147997	107178½	4650¼	10683½	2¼	1295½	359½	13927¼	225¼	..	84½	182¼	1475	2607¼	65402¾	4504¼	43991¼	17168¼	5240¼	420976	990505	2340654	47701	119365	11½	11691	4747	34118¼	699¼	..	22897	2005	1519560	69601¼	342674	1847½	1046½
1872	154030½	119056½	3461½	13795	..	1342½	254	14770	567½	..	26¼	32¼	1994¼	2399	51805½	4152¼	31903¼	14520¾	2789¾	417801¼	2229642	4015973	55284	280887	..	17339	4346	44758	4475½	..	26454	3465	2780288*	77459½	413321	1765¼	508
1873	177551½	116745	3727½	13586	..	1260	281	15123½	440	..	38	69½	3470	2001	65832	4090	32510½	15016½	2892¼	454634¼	2898463	3984958	70708	270967	..	17671	4243	45112	2751	..	32613	880	10955840	105929½	451450	996¼	573¼
1874	169330¼	116648	3579¼	16524¼	..	1235½	276½	14574¼	199¼	..	31¾	96½	3565¼	3105½	71437½	4547¼	36490½	16642¼	3448¾	461733¾	2273620	4128865	66464	322449	..	17661	4372	43424¼	1261	100	31430	850	1638224	110006½	578985	1916¼	620½
1875	160911½	118436½	3984¼	17973½	..	1143	192	13604	539½	..	47	15¼	4087	4453½	63087½	4307¼	40589½	17571¼	3012½	464957¼	2148394	3618436	69053	293135	..	17336	3661	38564	6060	..	29760	360	15355648	93440	684258	1859	679¼
1876	133609½	117582½	4817	18855¼	..	913½	149	13805½	491½	..	40¼	23½	3653¾	2800	77125¼	4458½	50634¼	19407¼	2766	451138¾	1958640	3410517	98576	352966	..	11756	2593	41203	4008	..	46787	1195	11056136	88967½	831749	2747¼	768
1877	145608¾	116364¼	5662	21828½	..	1277	242¼	14171½	333	..	53½	51½	3524	3231¾	111946	4467	61516¼	20453	3119¼	513840	2391979	3879537	134158	461916	..	22277	4400	42938¾	2440	..	86458	1290	10523520	159600¼	799709	2968¼	917¼
1878	176686¼	105510	5655	18580½	..	1108½	239¼	13862¼	399	..	51¼	57¼	3331¼	3735¼	125778	4183¾	6507¾	19900¾	2943	546556	2445507	3551806	99485	358858	..	19184	3877	34957¼	3040	..	83554	2745	16883328	154076	708431	1481¼	797¼

NUMBER OF OCCUPIERS OF LAND, WITH EXTENT OF HOLDINGS, &c., &c.					
Year ended 31 March.	Number of Occupiers of Land (excluding those for Pastoral purposes).	Total Extent of Holdings.	Extent of Land in Cultivation.	Extent of Land enclosed but not in Cultivation.	Extent of Land Unclassified.
		acres	acres	acres	acres
1869	26,581	7,464,924	434,826¼	3,301,140½	3,728,957¼
1870	27,720	7,857,460½	482,324¼	3,693,213¼	3,681,931¼
1871	31,538	8,628,326	434,012¼	3,935,758¾	4,258,555
1872	29,174	7,855,067¼	417,851¼	3,921,505	3,515,711
1873	31,342	9,788,728	454,634¼	5,134,389¼	4,199,703½
1874	32,258	10,619,532¾	461,733½	5,836,065	4,321,734¼
1875	35,131	12,144,158¼	464,957¼	6,098,988	5,580,213
1876	36,984	13,525,497	451,138¾	7,771,068¾	5,303,289½
1877	39,639	18,210,796¼	513,840	11,020,968¾	6,675,987¾
1878	40,330	19,435,896¼	546,556	13,792,620¼	5,096,720

* 1872.—This quantity is exclusive of the produce of 748 acres of Sugar-cane grown in the Grafton District, which could not be ascertained.

AGRICULTURE.

No. 112.—ABSTRACT RETURN of AGRICULTURE for the Year ending 31st March, 1878, showing the Number of Holders of Land Purchase from other Freeholds, and Leaseholds of Lands Conditionally Purchased from other Leaseholds, together with unenclosed, in each Police District of the Colony.

Table with columns: NAME OF POLICE DISTRICT, Number of Holders of Land exceeding one Acre, Extent of Land in Cultivation, Extent of Land enclosed but not in cultivation, Extent of Land Unenclosed, Total Extent of Holdings, and various Crops (Wheat, Maize, Barley, Oats, Rye, Millet, Potatoes, Tobacco, Sorghum and Imphoe, Sugarcane) categorized by For Grain, For Hay, For Green Food for Cattle, and Unproductive.

A. —Freeholders under Conditional Purchase.

B.—Other Freeholders.

STATISTICS—1877.

AGRICULTURE.

(exclusive of the Area leased from the Crown for Pastoral purposes) exceeding one Acre, distinguishing Freeholds under Conditional the quantity Cultivated and the Produce thereof; as also the quantity of Land enclosed but not in Cultivation and the Area

Arrowroot.	Crops.							Produce.												Vineyards.									
	Sown Grasses.		Vineyards.	Gardens and Orchards.	All other in Crop.	Total number of Acres under Crop.	Wheat.	Maize.	Barley.	Oats.	Rye.	Millet.	Potatoes.	Tobacco.	Sorghum and Injapiec (Grain).	Sugar-cane grown.	Sugar produced.	Hay.				Wine-making.		Table use.					
	For Hay.	For Green Food for Cattle.																Wheat.	Barley.	Oats.	Sown Grasses.	No. of Acres.	Wine produced.	Brandy manufactured.	No. of Acres.	Quantity obtained.	Vines unproductive.		
	acs	acres	acres	acres	acres	acres	bushels	bushels	bshls	bushels	bshls	bshls	tons	lbs.	tns	cwt.	cwt.	lbs.	tons	tons	tons	tons	galls.	galls	tons	acres			
43 5/8	180 1/2	627 1/2	328	20 1/2	3113 5/8	254432	1599	2362	40504	154	9	434 3/8	4000						2050	12 3/8	2290 1/2	48 3/8	541 1/2	88732		8 3/8	6 1/8	77 1/2	
4	20 1/2	67 3/8	78	7	4220	28555	26	507	7313			8 3/8	7688					351 1/2	12 1/2	820	225 1/2	39991		4 1/2	5 1/2	13			
	20 1/2	67 3/8	78	7	3398 1/2	23132	220	1118	7195			37	168					180	52 1/2	589 1/2	61 3/8	9180		1 1/2		6			
			12	6	1015	7402		430	1920			17 1/2	200					38		172		4450					3		
57 1/2	452 1/2	977	446 1/2	43 1/2	39778 1/2	313521	1845	4426	62932	103	20	574 1/2	12056						2619 1/2	65 1/2	3371 1/2	51	863 1/2	142353		14	12 1/2	99 1/2	
20	217 1/2	15	323	16 1/2	8361 1/2	65348	16131	1075	8307	155		201 1/2	12					365 1/2	7 1/2	1148	23	8	3100		4 1/2	5 1/2	23 1/2		
231 1/2	102	117 1/2	54 1/2	5 1/2	3346 1/2	17113	3793	129	1555	10		405 1/2						183 1/2	15 1/2	814	116	3							
6	5	17 1/2	6	1	915	5421	1400		1227			129 1/2						52 1/2		162									
11 1/2	7	1 1/2	12		474 1/2	1940	1670		335	60		36 1/2						106		86	8 1/2					1 1/2	1		
269	331 1/2	16 1/2	470 1/2	28 1/2	13097 1/2	89822	22994	1204	11424	225		2388	12					707 1/2	23 1/2	2210	150 1/2	8	3100		6 1/2	7 1/2	23 1/2		
	4				255	600												196		1									
		1	4		159													61		41							1		
					6													4											
	4	1	4		420	600													261		42						1		
23	170	8 1/2	54 1/2	9	5855	42533	5580	358	6990	370		589	3000					270 1/2	2	668 1/2	41	4	300		1 1/2	1 1/2	4		
233	426	37 1/2	242	35 1/2	11297	64796	7330	1877	9739	566		1108						560	32 1/2	2318	329	32	1380		1 1/2	1 1/2	5		
98 1/2	510		47 1/2	11 1/2	20214 1/2	142231	16665	2237	4045	470		708 1/2						4		132									
																		997	166	3190	151								
354 1/2	1106	46	347	58	37720 1/2	251605	29595	4472	21158	1406		2520 1/2	3000					1831 1/2	200 1/2	6308 1/2	521	36	1680		1	1 1/2	9		
64 1/2	222 1/2	5 1/2	129 1/2	2	4146 1/2	595	51875	1822	828	68		480 1/2								26	461	148				5	4 1/2	1 1/2	
36	560		56 1/2		2077 1/2	200	53305	733	100	4		110 1/2							15 1/2	169 1/2	59								
4			34		71 1/2		1665		435			8							9										
			10		27 1/2		9580	50				3									38 1/2	20							
104 1/2	278 1/2	6	199 1/2	2	6560 1/2	795	116425	2605	928	502		610 1/2								50 1/2	669	227				5	4 1/2	1	
127	2115 1/2	2 1/2	148 1/2	40 1/2	4019 1/2	1160	1541	599	3301	1109		1412 1/2						12	3 1/2	413 1/2	103	2 1/2	630		1 1/2	2 1/2			
92	1038	5	214	13 1/2	2475	1000	945	228	1850	320		796						29 1/2	2	516 1/2	88	5 1/2	450		1 1/2	2 1/2			
32	286		6	1 1/2	495 1/2	35	60	30	142	90		130 1/2						2		87	32								
8	15		32 1/2	6 1/2	709 1/2	646	1872	260	565	303		411						1	8	279	5 1/2								
259	3454 1/2	7 1/2	400 1/2	62	7700	2341	4418	1117	5858	1822		2749 1/2							44 1/2	13 1/2	1296	233 1/2	5 1/2	1080		1 1/2	2 1/2		
11			23 1/2	5	1683 1/2	10564		740	3144	100		245 1/2						161 1/2	11	601	14								
5	14		12 1/2	32	597	2984		260	830	12		60 1/2						45	23 1/2	243 1/2	10								
					74	800			166			5									19								
					24	340						4							6		8								
16	14		36	37	2378 1/2	14688		1000	4190	112		315								212 1/2	34 1/2	871 1/2	24						
	324	1 1/2	22 1/2	8	3726 1/2	30651	419	814	1763			37 1/2						115	50 1/2	700 1/2		9 1/2	8	2115	20	2 1/2	2 1/2		
6	50 1/2	12 1/2	29		911	6178	170	246	347			27 1/2						65	13 1/2	246									
					51	470			30			2							4 1/2		7								
					162	1510		20	84			1									62								
6	380 1/2	12 1/2	51 1/2	8	4850 1/2	38809	609	1144	2140			68							184 1/2	69	1015 1/2	9 1/2	8	2115	20	2 1/2	2 1/2		
					10																6								
					10																								
					10																6								
47	15	22	73	7 1/2	1552 1/2	11965	1864	286	1795	120	3	455 1/2								47 1/2	3	800 1/2	44	16	340	30	6	1 1/2	
190 1/2	138		230 1/2	20 1/2	3545 1/2	30348	357	791	5596 1/2	280		563 1/2								28	2	1009	144	8	600	49	2	1 1/2	
	424		13		179 1/2	1340	78	30	120			66									25								
			14 1/2		837 1/2	8539	80	30	970	45		156 1/2																	
246 1/2	195 1/2	33	331	28	6115 1/2	52192	2329	1107	8481 1/2	395	3	1230 1/2							100 1/2	5	1639	188	24	940	79	8	3	1	
1 1/2			126		426 1/2	80	4900	30	10	30		24	202																
1	4	7	363 1/2		1076 1/2	90	14040	100	390	10		47 1/2	200																
			4 1/2		21 1/2	290																							
			24		116 1/2	1760			30			3																	
2 1/2	4	7	518		1640 1/2	170	20990	130	430	40	20	74 1/2	402																
62	1235 1/2		58 1/2	4	2489 1/2	2101	25940	290	1687	50		312	1680							11	12	144	78 1/2						
218	4541 1/2																												

STATISTICS—1877.

AGRICULTURE—continued.

Table with columns: NAME OF POLICE DISTRICT., Number of Holders of Land exceeding one acre., Extent of Land in Cultivation., Extent of Land enclosed, but not in Cultivation., Extent of Land Unenclosed., Total extent of Holdings., Crops (Wheat, Maize, Barley, Oats, Rye, Millet, Potatoes, Tobacco, Sorghum and Imphee, Sugar-cane). Rows include Carcoar, Cassilis, Cooma, Coonamble, Cowra, Deniliquin, Dowling, Dubbo, Dungog, Eden, Forbes, Glen Innes, Goulburn, and Grafton.

AGRICULTURE—continued.

NAME OF POLICE DISTRICT.	Number of Holders of Land exceeding one Acre.	Extent of Land in Cultivation.	Extent of Land enclosed but not in Cultivation.	Extent of Land Un-enclosed.	Total extent of Holdings.	Crops.																			
						Wheat.		Maize.		Barley.			Oats.			Rye.		Millet.		Potatoes.	Tobacco.	Sorghum and Imphee.		Sugar-cane.	
						For Grain.	For Hay.	For Grain.	For Green Food for Cattle.	For Grain.	For Hay.	For Green Food for Cattle.	For Grain.	For Hay.	For Green Food for Cattle.	For Grain.	For Hay.	For Green Food for Cattle.	For Grain.			For Green Food for Cattle.	For Grain.	For Green Food for Cattle.	Productive.
acres	acres	acres	acres	acres	acres	acres	acres	acres	acres	acres	acres	acres	acres	acres	acres	acres	acres	acres	acres	acres	acres	acres			
Molong ..	A	665	11827½	64163	106034½	182025	7444	959½	905	223½	46½	84½	6	291½	1278½	7	4½	4	12	195					
	B	50	442½	59222½	23145	82809½	79	44	13					3	149½					72½					
	C	14	248½	286½	670	1205	181	3	2					4	55					1					
	D	16	123	294	480	897	62	2	10					4	41					2					
Total ..	745	12041½	123965½	130829½	266936½	7766	1008½	930	224	55½	87½	6	302½	1529½	7	5	4	12	205½						
Mudgee ..	A	385	8382	31494	28300	63176	6127	334½	206	315½	18	10	38	12	1032		1	2½	4	471					
	B	168	3281	55952	31234½	90467½	987	230	197	243½	33	3	22½	19	484½		1½			68½		17			
	C	8	75	145	80	300	57								18					3					
	D	106	3921½	5408	2108	11437½	1119	154	1240	132	46	1	28	6	709		5	1		23					
Total ..	667	15659½	92909	61722½	170380½	8190	718½	1643	691	97	14	88½	37	2243½	5	3½	2½	4	138½		17				
Murrurundi ..	A	280	3861½	225930½	72399½	302191½	2764	189	145	172	10	11½	7	49	236	150	2			4			3		
	B	58	651½	91724½	5403½	97780	93	83	31½	20				5½	318½					4½					
	C	38	485	4621	1739	6845	170	244½						3	30					3					
	D	11	127	6703	9180	16010	26	24	22	7					2	40				4					
Total ..	387	5125½	323979½	88722½	422826½	3053	540½	223½	201	10½	11½	28	54½	636½	170	2			15½		3				
Muswellbrook and Merton.	A	244	2728½	79245½	27797½	109771½	2016	24	25	48	19	4	33½	5	67	6½	1	11	2	20½					
	B	31	497½	85139½	7332	93463½	140	47	10	2	15	3	2		93		1			1					
	C	12	118	3251	2200	5569	96	2		8	3														
	D	4	74	5640		5714	53		10																
Total ..	291	3418	173275½	37829½	214523	2305	73	45	58	37	7	42	5	160	6½	2	11	2	22½				1		
Narrabri ..	A	149	670	29456½	29486½	59612½	178	39½	150½	16	3	½	17½		156½	22			1	23½					
	B	32	74½	12159½	8849½	21083½	18	30½							12										
	C	8	28	1924	6	1958									8										
	D	10	13½	1870	608	2491½		3							2										
Total ..	199	786	45409½	33950½	85146	178	60½	190	21	3	8½	32		178½	22				1	23½					
Newcastle ..	A	62	241	2926	1971	5138			4	4															
	B	60	242½	4128	3428	7798½			27	9					2					16		4			
	C	7	15	237	60	312			4														3		
	D	72	785½	4772	563	6120½	4		97	20	6	12	10½		107	4		1	8	15½	53		8		
Total ..	201	1284	12063	6022½	19369½	4		132	40	6	12	14½		109	9½		1	8	31½	57		11			
Orange ..	A	262	9539½	42334	1924	53797½	5652	33	243½		17	13		786	1854		2			492½					
	B	141	4913½	46318½	18604½	70336½	2926	57	177½		12½	14	1	333	843		6½	13		315					
	C	40	912	3868	3660	8440	474		29					53	267					56					
	D	45	1356	6949	1108	9413	748	27	28½		4			72	403					50½					
Total ..	488	16721	99969½	25296½	141987	9800	121	478½		43½	28	1	1244	3367		8½	13		914						
Oxley ..	A	388	920½	145916	37132½	183063½	7	689	6			9		8	195½										
	B	86	806½	1647252	90484½	1738942½		511							281			4							
	C	6	90	1945	80	2115		57		26					7										
	D	8	93	2370	115	3078		93																	
Total ..	488	1909½	1797983	127811½	1927704½	7	1350	32			9		8	483½			4								
Parramatta ..	A	10	45	188	321	554			8						3					11½			19		
	B	722	5952½	40016½	5883½	51852½		58½		14½					1302½	4½	1	1½							
	C														466	29		1							
	D	228	1510½	15738½	4057	21106½		14		20	21	5	7	16½						2½		2	16		
Total ..	960	7308	55943½	10261½	73513½		72½	42½	40	14	9½	46	6	1771½	35½	1	2½		1	14½		2	35		
Paterson ..	A	104	379½	9944½	64344	16758	95½	123	5	8½			12	1	24					15	31	1			
	B	61	1306½	51222½	21058½	73587½	272	446	1	80			50½	1½	361		2½	1		23½	37½		7½		
	C	5	23	259	78	360	13		2				4							1	13				
	D	133	1869½	13967½	22333	33170	519	4	803½	6	73½	5	64½	5½	11	5½	4	½		36½	77		13		
Total ..	303	3578½	75393	49904½	128875½	899½	11	1379½	12	162	5	131½	8	50	5½	6½	1½		76	147½	1	8½			
Patrick's Plains..	A	229	987½	63624½	11183½	75748	452½	41	50	25	19½	12	62	2	19½		9½	3	½						
	B	190	2905½	203224½	21904	228034	667½	288	187	70½	66	16½	133½	164	178	17	23	9		21½	5½		31		
	C	16	89½	2647	256	2993	28	20			5	1		7	104					1					
	D	161	2436	60117½	1823	64376½	927½	196½		237	39½	75	9½	159½	3	110½	36½	14	7	1	35	15	10		
Total ..	596	6368½	320614½	35163½	371151½	2075½	545½	474	140½	161½	38	302½	21½	318½	63	40	16½	1	6½	66½	31		41		
Penrith ..	A	11	22	306	370	698	3													1					
	B	236	2690	45088½	2357	50635½	12½	97½		607½	63			45	40	1125½	21	6	1	1	11		13½		
	C	1		10	30	40																			
	D	201	4334	74531½	1055	79920½	75	269	1373	64	26			113½	82	1935	34	2½	14		18		30		
Total ..	539	7046	119936½	4312	131294½	90½	366½	1980½	132	33	2	158½	122	3000½	63	27½	15	1	15	30			43½		

STATISTICS—1877.

AGRICULTURE—continued.

	Crops.							Produce.														Vineyards.								
Arrowroot.	Sown Grasses.			Vineyards.	Gardens and Orchards.	All other in Crop.	Total number of Acres under Crop.	Wheat.	Maize.	Barley.	Oats.	Rye.	Millet.	Potatoes.	Tobacco.	Sorghum and Imphee (Grain).	Sugar-cane grown.	Sugar produced.	Arrowroot.	Hay.				Wine-making.			Table use.		Vines unproductive.	
	For Hay.	For Green Food for Cattle.																		Wheat.	Barley.	Oats.	Sown Grasses.	No. of Acres.	Wine produced.	Brandy manufactured.	No. of Acres.	Quantity obtained.		
	acres	acres	acres	acres	acres	acres	acres	bushels	bushels	bsls	bushels	bsls.	bsls.	tons	lbs.	tns.	cwt.	cwt.	lbs.	tons	tons	tons	tons	gallons	galls.	tons	acres			
..	65	179	5	80	35	11827	114203	6252	535	5533	87	12	3711	1012	70	1267	50	2	5150	10	2	
..	22	98	..	13	..	442	1220	152	212	23	7	164	24	
..	88	277	5	96	36	12641	119053	6544	767	5695	99	..	377	1051	77	1530	80	2	5150	10	2	
..	100	90	15	24	4	8382	105279	2520	290	219	10	20	75	387	15	1044	100	11	1108	..	3	4	..	
..	327	635	16	53	42	3281	12769	3234	685	325	40	40	166	377	1	560	35	15	1850	..	1	1	..	
..	383	43	11	20	..	75	16042	21000	1202	200	10	..	34	153	2	773	623	3	700	..	8	5	..	
..	811	768	42	98	46	15659	134820	26754	2177	744	60	20	276	917	18	2401	1087	29	3658	..	12	10	..	
..	12	57	8	11	..	3861	16967	650	32	530	15	..	3	85	14	131	..	4	1200	..	2	2	2	
..	9	50	13	1	4	651	904	150	..	100	3	57	..	185	..	9	5000	..	5	7	..	
..	5	2	..	485	280	..	20	2	25	..	17	
..	26	107	22	16	4	5125	18251	1020	52	680	15	..	11	176	14	334	9	12	6200	..	8	9	2	
..	79	254	35	59	18	2728	23054	270	169	28	12	..	17	34	8	46	54	31	8013	50	4	5	..	
..	39	14	19	17	89	497	1270	60	174	..	10	54	1	38	102	15	2100	..	4	7	..	
..	4	2	..	118	1350	..	8	4	
..	6	..	1	2	..	74	520	200	4	10	1	1	..	
..	128	268	56	81	107	3418	26194	530	351	28	22	..	17	92	9	84	166	47	11013	50	9	13	..	
..	9	3	2	38	..	670	1220	3111	21	19	25	..	61	99	2	3	..	
..	6	..	74	..	560	8	..	16	8	1	..	
..	1	..	28	2	..	8	
..	9	3	10	45	..	786	1220	3671	21	19	35	8	86	99	10	4	..	
..	
..	1	5	29	17	21	241	..	80	3	20	13050	..	9	11	..	
..	..	58	2	10	11	242	..	635	10	6	
..	..	2	..	7	1	15	..	60	
..	143	174	5	95	16	785	100	2475	40	105	106	20	24	526	5	5	..	
..	144	239	34	381	50	1284	100	3250	40	105	116	20	250	529	20	13050	..	14	16	..	
..	173	166	..	105	2	9539	89876	5116	610	16030	50	..	546	23	16	1929	131	
..	4	121	1	88	8	4913	44353	3435	280	7156	72	..	344	85	11	947	6	
..	10	8	..	912	5751	540	150	873	57	2	2	266	12	1	2	..
..	8	3	..	12	..	1356	11360	825	70	1270	67	47	..	309	8	
..	195	290	1	214	2	16721	151340	9916	1110	23329	122	..	1014	157	29	3541	157	1	2	..	
..
..	920	75	70	..	20	495	9	138	4
..	10	..	806	381	..	219	
..	90	..	200	17	..	7	
..	93	86	
..	4	12	1900	75	270	..	20	929	9	364	4
..
..	4	122	22	34	38	5952	..	195	190	220	15	..	183	71	5	1337	6	33	5085	30	146	192	45
..	..	85	27	57	18	1310	..	335	70	20	35	7	
..	4	207	25	46	56	7308	..	1065	200	220	15	..	23	..	1	96	14	1806	6	33	5085	30	166	228	52
..	..	5	19	22	32	379	1865	3474	100	10	24	23340	2	5	..	173	2270	3	1	
..	22	49	120	79	67	1306	4440	16130	1867	39	50	..	50	33680	2	..	3	45	114	27609	2	3	4	3
..	45	60	26	29	91	1869	7764	71403	1486	104	75	..	2	1900	
..
..	67	115	166	130	193	3578	14229	91047	3453	153	125	..	145	142070	2	26	..	34	95	1513	35479	52	7	6	7
..	76	55	30	29	23	937	7843	820	229	18	50	..	9	4621	150	47	16	47	33	7032	..	3	4	..	
..	464	303	221	132	53	2905	11262	3080	1117	290	327	..	28	1852	461	29	271	490	172	65462	172	34	48	14
..	1	220	2	14	8	89	..	12</																			

AGRICULTURE—continued.

NAME OF POLICE DISTRICT.	Number of Holders of Land exceeding one Acre.	Extent of Land in Cultivation.	Extent of Land enclosed but not in Cultivation.	Extent of Land unclosed.	Total Extent of Holdings.	Crops.																					
						Wheat.		Maize.		Barley.		Oats.		Rye.		Millet.		Potatoes.	Tobacco.	Sorghum and Imphee.		Sugarcane.					
						For Grain.	For Hay.	For Grain.	For Green Food for Cattle.	For Grain.	For Hay.	For Green Food for Cattle.	For Grain.	For Hay.	For Green Food for Cattle.	For Grain.	For Green Food for Cattle.			For Grain.	For Green Food for Cattle.	For Grain.	For Green Food for Cattle.	For Grain.	For Green Food for Cattle.	For Grain.	For Green Food for Cattle.
Port Macquarie	A	128	1160½	6385½	4727	12273	10	6	906½	12	1	14	4½	28½	4	2	2	7	2	9							
	B	141	1807½	1428½	30979½	4761½	1426½	12½	3½	17	10½	29	3½	..	1	23							
	C	14	240	836	39	1115	224	5	2	1	..	23							
	D	55	839	6112	21338	28239	789	2	..	1	..	10½	2							
	Total	338	4047½	28161½	57083½	89292½	16	6	3436	31½	5½	32	11½	17½	71	7½	3	30	13	..							
Port Stephens	A	141	1135½	8398½	7348	16877	119	..	751	35	62	1	8½	63	14	1							
	B	95	925½	16986	80775½	98687	110½	..	579	7	21½	4	34½	5½	20½	15½							
	C	21	171	859	327	1857	26	..	113	2	13	..	2	2	2							
	D	90	1022	8449	6490	15961	326½	..	539½	6	27½	2	37	11	8	2							
	Total	347	3254½	34687½	94940½	132882	582	..	1982½	50	124½	7	80	81½	44½	18½	1							
Queanbeyan	A	447	4287½	50809½	44305	99486	2651½	33½	26½	..	49½	35½	2	270½	903							
	B	129	8509½	141942½	78232	218683½	985½	49	23	..	37½	6	144	800	20½	15½							
	C	14	200	707	1072	1979	73½	6	8	..	1	102½							
	D	85	1847½	19772	19672½	41292	929½	63½	75½	..	21½	..	1	46½	628½							
	Total	675	9844	213315½	138281½	361440½	4640½	152	133	..	109½	42½	9	460½	2434	..	7	2							
Raymond Terrace	A	34	131½	2323½	618	3073	28	..	1	..	3	11	4	4							
	B	121	1830½	22410	6264	30510½	5	..	322½	6	4	8	40	8	210	8	3	12							
	C	2	5	85	..	90							
	D	177	2835½	16602	2828	22265½	22	1	635	..	91	17	109	16	489½	9	2							
	Total	334	4803½	41420½	9710	55939	27	1	985½	6	156	25	161	35	703½	21	2	155	43	193							
Richmond River	A	630	6583	55544½	72881	133008½	2	..	3317	43	56	..	14	..	45	2							
	B	133	1143½	87286½	32148	118312½	636½	2	10	11	6	..	81½	12							
	C	35	274	1850	783	2907	227							
	D	22	305	548	652	1505	..	1	259	8							
	Total	820	8805½	143228½	106464	257998½	3	..	4439½	45	46	11	24	..	134½	14	3							
Rylstone	A	263	1858½	33828½	15259½	50947	954½	16	131	17½	61	12	4	49	382	11							
	B	60	1072	108296	13944½	118312½	104	14	61	24	2½	2	6	34½	119½							
	C	4	41	95	144	280	23							
	D	23	329	2410	3060	5799	90	25	48	3	1	1	125½							
	Total	350	3300½	139629½	32408½	175388½	1171½	55	240	44½	64½	14	10	84½	638	11	1							
Scone	A	290	1169½	52741½	34566½	88477½	1035	..	19	1	..	2	..	28	10							
	B	75	524½	183948	58758	238230½	218	33	6	2	4	2	2	4	100							
	C	7	..	27730							
	D	17	37	2863	30135	33035	16	5	2	2							
	Total	389	1730½	267282½	118459½	387473	1269	38	27	3	4	4	2	32	110	2							
Shoalhaven	A	281	2752½	22052½	9852	34657	20½	..	404	43	1	..	8½	61	39½	81	18	18							
	B	160	1225½	22330½	42776½	67353½	17	..	920	12	1	..	9	46	137½	43							
	C	35	110	2767	903	3780	..	6	57	8	4	11	4	2							
	D	405	7748½	23980	13234½	44962½	27	..	5798½	14	65	2	25	103	162½	112½	3							
	Total	881	12862½	71130	66760½	150753½	64½	6	7179½	77	67	2	42½	214	350½	240½	20	23							
Tamworth	A	417	4756½	209743½	120356½	334856½	2237	862	266½	151½	4½	21½	39½	28	230	26							
	B	120	1182½	984728½	321402	1257308	507	290	111	1	20	12	19	9½	60							
	C	63	1454½	8049½	1312	12635½	543	472½	86½	41	4	..	28	18	38½	4							
	D	45	695½	4606½	8551	13852½	437	53	96½	7	6	8	9							
	Total	645	8088½	1157122½	453441½	1618653	3724	1677½	560	200½	28½	33½	92½	63½	346½	30	..	15							
Teunterfield	A	215	2176½	10211½	24735½	37124	1144	16	403	18	8½	4	2	48½	178½	3							
	B	75	862½	4738½	1124	6724½	409½	23½	87½	12½	6	1½	13½	170½							
	C	3	29½	30½	..	60	12	..	8	5							
	D	11	90	117½	..	207½	31	..	31	1							
	Total	304	3158½	15098	25359½	44116	1596½	39½	529½	18	21½	11	3½	62	369½	3							
Tumut	A	500	2656½	80926	7991	91573½	1487½	5½	374½	..	31½	2	1	254	203½	5½							
	B	109	1695½	19935	712	22342½	694½	35	493	..	21½	1	1	116	213½							
	C	15	70	2597	77	2744	29	..	24	..	3	3	..	2							
	D	67	1516	6250	128	7894	416	4	556	..	4	37	116							
	Total	491	5988½	109708	8908	124554½	2027	44½	1747½	..	60	6	2	409	623	5½	1	3	..	3							
Tweed River	A	68	622½	1890	8460	10472½	7	..	237	2	1							
	B	3	23	40	..	2223							
	C	5	50	..	113	163							
	D							
	Total	76	695½	1420	10796	12921½	7	..	247	2	..	1	1	10							
Vegetable Creek	A	16	200	1333	2735	4268	15½	35½	31	7	8	46½	1							
	B	5	186½	3570	16639	20395½	13	20	13	3	39½							
	C							
	D	1	40	40							
	Total	22	386½	4903	19414	24703½	28½	55½	44	3	7	8	86	1	..	1	..	22							

STATISTICS—1877.

AGRICULTURE—continued.

Crops.										Produce.															Vineyards.				
Arrowroot.		Sown Grasses.		Vineyards.	Gardens and Orchards.	All other in Crop.	Total Number of Acres under Crop.	Wheat.	Maize.	Barley.	Oats.	Rye.	Millet.	Potatoes.	Tobacco.	Sorghum and Napier (Grain).	Sugar-cane grown.	Sugar produced.	Arrowroot.	Hay.				Wine-making.			Table Use.		
For Hay.	For Green Food for Cattle.																			Wheat.	Barley.	Oats.	Sown Grasses.	No. of Acres.	Wine produced.	Brandy manufactured.	No. of Acres.	Quantity obtained.	Vines unproductive.
acs	acs	acs	acs	acs	acs	acs		bushels	bushels	bshls	bushels	bshls	bshls	tons	lbs.	tns	cwt.	cwt.	lbs.	tons	tons	tons	tons	galls.	galls.	tons	acs		
1	1	23 1/2	13	35 1/2	6 1/2	1160 1/2	37	46980	355	330	89 1/2	4100	1272	5640	165	200	1150	20	64	3000	24400	1450	9	64	3000	24400	4	20 1/2	
1 1/2	1	61 1/2	110 1/2	140 1/2	56 1/2	4047 1/2	97	156660	716	680	221	5572	25120	750	1410	23	80	28850	30 1/2	28850	65	2 1/2	3 1/2	30 1/2	30 1/2	30 1/2	30 1/2		
1	1	9 1/2	11 1/2	37 1/2	5 1/2	1155 1/2	1734	17688	1370	1909	75 1/2	4400	3500	800	9	14	6	9	3500	65	2 1/2	3 1/2	9	3500	65	2 1/2	3 1/2		
1 1/2	1	12	11 1/2	105 1/2	53 1/2	8254 1/2	9832	44233	3197	1709	15	181 1/2	7900	2300	9	55	6	9	3500	65	2 1/2	3 1/2	9	3500	65	2 1/2	3 1/2		
50	1240	3	58 1/2	18 1/2	4287 1/2	38616	38616	420	954	4991	15	387 1/2	7900	2300	9	55	6	9	3500	65	2 1/2	3 1/2	9	3500	65	2 1/2	3 1/2		
8	21	4	9 1/2	5	1847 1/2	12430	2060	349	756	1912	105	121 1/2	7	100 1/2	23 1/2	10 1/2	964 1/2	767	84	627 1/2	3 1/2	1 1/2	2 1/2	1 1/2	2 1/2	3			
58	1331	4 1/2	151 1/2	38 1/2	9844	65527	2880	1895	7659	120	616 1/2	142	15 1/2	2443 1/2	27	1 1/2	2 1/2	3	1 1/2	2 1/2	3	1 1/2	2 1/2	3					
6	183	82	95 1/2	17 1/2	1836 1/2	503	12	198	214	1244	64	26	1571	50	224	33	426 1/2	2370	7 1/2	2100	19550	2 1/2	3 1/2	1 1/2	5 1/2				
1058	11 1/2	31	57 1/2	21	2835 1/2	446	11175	1946	386	24	1669	317	200	1	46	1010	3833	19	3700	10 1/2	7	1 1/2	1 1/2	1 1/2					
1	1687	195 1/2	128 1/2	188 1/2	4808 1/2	537	16883	3060	798	24	2077	456 1/2	1571	50	424	1	79	1442 1/2	6425	98 1/2	25350	16	11	14					
24 1/2	15 1/2	1792 1/2	2 1/2	135 1/2	45 1/2	6583	100	123571	1450	122 1/2	900	227090	12760	67000	22	76 1/2	37	2	2	2	2	2	2	2	2	2			
4	2	1	10	305	10	10450	10	9351	10450	19 1/2	2	2420	139	13	6	13	6	13	6	13	6	13	6	13	6	13			
24 1/2	28 1/2	2005 1/2	4 1/2	183 1/2	64	8305 1/2	110	174232	1450	164 1/2	900	247954	13870	67000	22	251	45	44	13	10	403 1/2	34 1/2	2	2 1/2	1 1/2				
26	42 1/2	536 1/2	31 1/2	32 1/2	1858 1/2	12608	1072	1152	45	1195	20	208 1/2	11	3	30	13	10	403 1/2	34 1/2	2	2 1/2	1 1/2	1 1/2	1 1/2					
4	10	1	4 1/2	329	1608	772	20	6	30	33	187	6	2	218 1/2	6	187	6	187	6	187	6	187	6	187	6				
156 1/2	580	69 1/2	4	3300 1/2	15941	3596	653	1903	20	252 1/2	58	12	702 1/2	118 1/2	58	12	702 1/2	118 1/2	58	12	702 1/2	118 1/2	58	12	702 1/2	118 1/2			
16 1/2	48	2	3 1/2	1169 1/2	14020	290	210	5	5	28	1	35	10	2	6	10	2	6	10	2	6	10	2	6	10				
103	12 1/2	15 1/2	9 1/2	524 1/2	3285	30	40	5	5	4	10	4	10	10	10	10	10	10	10	10	10	10	10	10	10				
4	8	37	300	40	300	40	300	40	300	40	300	40	300	40	300	40	300	40	300	40	300	40	300	40	300				
123 1/2	68 1/2	17 1/2	13	1730 1/2	17605	410	40	215	5	32	3	41	99	13	2050	31 1/2	2 1/2	1	1										
42	1803	21 1/2	4	2752 1/2	266	15300	28	1030	350	357 1/2	108	10	584	6	2	218 1/2	20	38	324 1/2	35 1/2	2	2	2	2	2	2			
29	923 1/2	10	1	110	1790	140	109451	1630	1807	65	40	6	10	2	218 1/2	20	38	324 1/2	35 1/2	2	2	2	2	2	2				
24	1202 1/2	16 1/2	1 1/2	7748 1/2	140	109451	1630	1807	65	40	6	10	2	218 1/2	20	38	324 1/2	35 1/2	2	2	2	2	2	2	2				
95	3938 1/2	76	7 1/2	12862 1/2	666	250881	1678	3619	390	1119 1/2	6	2	485 1/2	88	88	88	88	88	88	88	88	88	88	88	88				
276 1/2	179	18 1/2	122 1/2	185	4756 1/2	16208	1847	33	91 1/2	4	44 1/2	25	135	438	13 1/2	3000	9	3	3 1/2	13 1/2	3000	9	3	3 1/2	13 1/2				
82	18 1/2	18 1/2	36	1182 1/2	5794	1502	700	80	33 1/2	299 1/2	24	144	17 1/2	42	361	13	15 1/2	13	13	13	13	13	13	13	13				
136	28 1/2	20	12	13	695 1/2	4220	830	80	39	299 1/2	24	144	17 1/2	42	361	13	15 1/2	13	13	13	13	13	13	13	13				
10	12	12	13	695 1/2	4220	830	80	80	39	299 1/2	24	144	17 1/2	42	361	13	15 1/2	13	13	13	13	13	13	13	13				
504 1/2	219 1/2	19 1/2	173 1/2	240 1/2	8088 1/2	31545	4969	33	175 1/2	142	957 1/2	27	173 1/2	854	14 1/2	3000	9	3	3 1/2	24 1/2	3000	9	3	3 1/2	24 1/2				
33 1/2	27	6 1/2	38 1/2	36 1/2	2176 1/2	15501	9423	134	865	526	11	167	21	6	600	6	600	6	600	6	600	6	600	6	600				
23	19 1/2	2 1/2	25 1/2	7 1/2	869 1/2	5147	2319	145	172	148	13 1/2	123 1/2	11	11	11	11	11	11	11	11	11	11	11	11	11				
56 1/2	46 1/2	6 1/2	65 1/2	43 1/2	3158 1/2	21110	12592	291	1087	700	24 1/2	300 1/2	32	6	600	6	600	6	600	6	600	6	600	6	600				
7	9	55	47 1/2	2656 1/2	30257	10177	14156	350	3690	40	304 1/2	11	7000	4	72	3	460	8	2500	1	1	1	1	1					
30	2 1/2	47 1/2	1695 1/2	14885	1456	30	50	1290	101	24050	8	190	6	450	10	10	10	10	10	10	10	10	10	10	10				
12	6 1/2	9	1516	10360	23825	100	1290	100	1290	40	304 1/2	11	7000	4	72	3	460	8	2500	1	1	1	1	1					
49	17 1/2	112 1/2	5983 1/2	56382	48808	1172	12049	40	484	31050	84	8	998	14	2950	10	3 1/2	4 1/2	1	1	1	1	1	1					
14 1/2	1	23 1/2	30	8	622 1/2	350	10160	250	27 1/2	87700	3616	700	8200	151	14	2950	10	3 1/2	4 1/2	1	1	1	1	1					
14 1/2	1	23 1/2	30	8	695 1/2	350	10410	250	31 1/2	86900	3767	700	8200	151	14	2950	10	3 1/2	4 1/2	1	1	1	1	1					
12	10	9	200	330	455	700	455	230	47	58	35	66	21	9	1200	1	3	1	3	1	3	1	3	1	3				
97	10	9	386 1/2	480	1155	230	230	47	47	93	87	9	1200	1	3	1	3	1	3	1	3	1	3	1	3				

AGRICULTURE—continued.

NAME OF POLICE DISTRICT.	Number of Holders of Land exceeding one Acre.	Extent of Land in Cultivation.	Extent of Land enclosed but not in Cultivation.	Extent of Land Unenclosed.	Total Extent of Holdings.	Crops.																			
						Wheat.		Maize.		Barley.		Oats.		Rye.		Millet.		Potatoes.	Tobacco.	Sorghum and Imphee.		Sugar-cane.			
						For Grain.	For Hay.	For Grain.	For Green Food for Cattle.	For Grain.	For Hay.	For Green Food for Cattle.	For Grain.	For Hay.	For Green Food for Cattle.	For Grain.	For Green Food for Cattle.			For Grain.	For Green Food for Cattle.	For Grain.	For Green Food for Cattle.	Productive.	Unproductive.
acres	acres	acres	acres	acres	acres	acres	acres	acres	acres	acres	acres	acres	acres	acres	acres	acres	acres	acres	acres						
Wagga Wagga ...	(A 593 B 102 C 18 D 20)	(6761½ 1768½ 198 926)	(278452½ 350054½ 8009 4361)	(73982 27626½ 1345 103)	(359146 379449½ 9552 5390)	(2816 347½ 36 31)	(370 265 39 107½)	(59½ 62 ... 2)	(59½ 61½ 3 18½)	(81)	(373 87 120 98)	(2808 806½)	(1 1 ... 1)	(1)	(...)	(32 5)	(...)	(...)	(...)	(...)	(...)				
Total ..	733	9654	640877	103006½	753537½	3230½	781½	63½	92	80½	161	470	3832½	2	1	2	37				
Walgett ..	(A 15 B 1 C ... D 2)	(1)	(689 40 ... 350)	(1922 80)	(2612 40 ... 430)	(...)	(...)	(...)	(...)	(...)	(...)	(...)	(...)	(...)	(...)	(...)	(...)	(...)	(...)	(...)	(...)				
Total ..	18	1	1079	2002	3082				
Warialda ..	(A 240 B 68 C 11 D 12)	(10309½ 607 70½ 227)	(32756½ 10442½ 3575 5110)	(61350½ 96216½ 9116½ 3236)	(95147 201245½ 12762 8573)	(342½ 114 15 50)	(130 99½ 3 15)	(352½ 98 25 42½)	(13½ 4 ... 2)	(31 2½)	(1 2 ... 1)	(6½ 9½ ... 1)	(1071 125½ 6 16)	(... 6)	(...)	(...)	(...)	(...)	(...)	(...)	(...)				
Total ..	331	1944½	145863½	169919½	317727½	521½	247½	498	19½	53½	5	17	255	6	20½	...	10				
Wellington ...	(A 327 B 221 C 17 D 39)	(4042½ 2908½ 236 572)	(24257 43620½ 858 5845½)	(27540 56591½ 525½ 95)	(55839½ 103121 1619½ 6512½)	(2429½ 791 78 88½)	(570 639 47 226)	(65 61 ... 32)	(155½ 160 ... 88)	(13 21 ... 13½)	(1 4 ... 3)	(26 17 ... 3)	(43 12)	(580 597½ 94 88½)	(24 3½ ... 1)	(2 3 ... 1)	(...)	(...)	(...)	(...)	(...)				
Total ..	604	7759½	74581	84752	167092½	3387	1532	158	412½	35½	5	46	55	1270	24	6½	3	113	...	1	...				
Wentworth ...	(A 48 B 14 C 5 D ...)	(67 8½ 1 ...)	(8427 10095½ 420 ...)	(7520 1000 390 ...)	(16014 11104 811 ...)	(...)	(60)	(...)	(...)	(...)	(...)	(...)	(...)	(...)	(...)	(...)	(...)	(...)	(...)	(...)	(...)				
Total ..	67	76½	18942½	8010	27920	...	60	3	4				
Windsor ..	(A 44 B 433 C 10 D 362)	(363½ 8043½ 122 7009½)	(1842½ 50657½ 483 24107)	(461 3133½ 105 837)	(2667 61834½ 710 31453½)	(... 39 14 14)	(11 659½ 2 580)	(241 4210½ 110 4393½)	(... 7½ 2½ 13)	(12 36 ... 43)	(... 10 ... 7)	(8 137½ ... 82½)	(12 54½ 4 59)	(24 957½ ... 874)	(1 27 ... 25)	(4 41 ... 7½)	(21 21 ... 2)	(... 1 ... 4)	(... 43½ ... 28)	(... 10½ ... 8)	(...)				
Total ..	849	15538½	77090	4036½	96665	53	1252½	8955	20½	93½	17	228	129½	1855½	53	89	28½	2	5	72½	27½	1			
Wollombi ...	(A 116 B 126 C 6 D 98)	(421½ 1825½ 55 1432½)	(4466½ 25034½ 352 15345½)	(5955½ 12739 193 3866½)	(10843½ 39599 600 20645)	(151½ 500 12 415)	(... 5)	(139½ 813 39 579)	(3 15 ... 4)	(24 40½ ... 20½)	(... 1 ... 10½)	(5½ 28½ ... 10½)	(48 245 ... 325)	(4½ 56 ... 26½)	(4 12 ... 1)	(... 1 ... 1)	(...)	(... 1 ... 1)	(... 9½ ... 11½)	(... 5 ... 4)	(...)				
Total ..	346	3734	45199½	22754½	71687½	1078½	5	1570½	22	86½	...	46	618	87	17	2½	2	1	31½	13½	...				
Wollongong ...	(A 72 B 211 C 14 D 304)	(146 9133½ 22 1547½)	(5517 21082½ 651 27245½)	(744 1469 163 450½)	(6407 23464½ 836 29243)	(... 10 ... 1)	(... 3)	(22 115 3 239)	(16 42 ... 84)	(1 19 ... 56)	(2 10 ... 1)	(... 44 ... 107½)	(10 20 ... 25½)	(29 140 ... 114)	(25 137½ ... 61)	(1 10 ... 7)	(... 7 ... 4)	(... 8 ... 8)	(... 1 ... 4)	(... 37 ... 67½)	(... 117 ... 230½)	(...)			
Total ..	601	2628½	54495½	2820½	69950½	11	3	379	142	78	13	151½	57½	289	421½	18	11	9	121½	5	355½				
Yass ..	(A 582 B 193 C 6 D 62)	(5907½ 3077 29½ 867)	(79711 86383½ 1173 36993)	(51814½ 53612 756½ 17414)	(137433 143072½ 1959 55274)	(4126 1884 18 531½)	(46 34 ... 10)	(190½ 141 ... 62½)	(4 8 ... 4)	(8½ 54 ... 54)	(20½ 21 ... 1)	(2 12 ... 9)	(167½ 86 ... 8)	(903 671 ... 217)	(...)	(11½ 4)	(2)	(...)	(...)	(...)	(...)				
Total ..	793	9881	204260½	123597	337738½	6559½	90	403½	16	142	42½	23	262½	1800	...	15½	2	...	283½	3	...				
Young ..	(A 520 B 139 C 27 D 15)	(12705 1966½ 342½ 116)	(249061 91933½ 2898½ 1515)	(54311 9283½ 1631 2750)	(316077 103183½ 4872 4381)	(7254½ 391 190 48)	(100½ 33½ ... 20)	(548½ 39 ... 8)	(259½ 11 ... 3)	(182½ 7½ ... 7½)	(73 7½ ... 17)	(15 16½)	(733½ 46½ ... 7)	(2574½ 507½ ... 74)	(10½ 507½ ... 33)	(25½ 21)	(...)	(...)	(...)	(...)	(...)				
Total ..	701	15130½	345408	67975½	428513½	7883½	154½	608½	270½	200	97½	314	789	3138½	10½	23½	21	...	82½	...	6				
Totals ...	(A 19541 B 11991 C 1351 D 7446)	(237337 165233 17980 126006)	(4640623½ 7871577 260328½ 1020091)	(2254014½ 2236601½ 168295½ 437809)	(7131975 10273411½ 446604 1583906)	(112895½ 32860½ 5998½ 24932½)	(14692½ 8299½ 1391 5256½)	(27202½ 32790 3892½ 41625)	(3167½ 1621½ 172½ 1181)	(1812½ 1637 153½ 1432)	(742½ 640 39½ 453½)	(646½ 1407½ 81 1717½)	(10480½ 4752 806½ 2532½)	(28923 27092½ 2438 20879½)	(809½ 1060 36½ 1101½)	(293½ 433½ 44½ 397)	(248½ 276½ 24 185½)	(28½ 85 1 121½)	(36½ 64½ 2 82½)	(6511½ 4022 434½ 2894)	(142 110½ 6½ 140½)	(18 22½ 2 15)	(190½ 555½ 3½ 853½)	(1729 686½ 445 332½)	(2144 586½ 445 460)
General Total ..	40329	546556	13792620½	5096720	19435890½	176036½	29639½	105510	6142½	5055	1873½	3942½	18580½	79332½	3017	1109½	712½	239½	185½	13862½	399	57½	1603	3331½	3735½

ABSTRACT RETURN of Agriculture for the Police District of Shoalhaven, for the Year ended 31 March, 1877.

Shoalhaven ...	(A 269 B 149 C 32 D 380)	(1528 1405½ 89 6732½)	(21447½ 29295 2660 18573½)	(10651 39293½ 521 5050½)	(33626½ 69993½ 3270 30356½)	(19½ 12 1 7)	(... 8)	(371½ 946 ... 5930)	(16 3 ... 27½)	(5 12 ... 13½)	(... 5)	(7 11½ ... 83½)	(67 54 ... 57½)	(61½ 111½ ... 107½)	(23½ 20½ ... 93½)	(9½ 17 ... 3)	(104½ 2 ... 4)	(...)	(...)	(...)	(...)	(...)	(...)	(...)	(...)	(...)	(...)	(...)
Total ..	830	9755	71975½	55316	137246½	39½	8	7295	46½	30½	5	51½	181½	236½	142½	30½	110	308½	...	7		

STATISTICS—1877.

AGRICULTURE—continued.

Crops.										Produce.														Vineyards.						
Sown Grasses.		For Green Food for Cattle.	Vineyards.	Gardens and Orchards.	All other in Crop.	Total number of Acres under Crop.	Wheat.	Maize.	Barley.	Oats.	Rye.	Millet.	Potatoes.	Tobacco.	Sorghum and Imphee. (Grain.)	Sugar-cane grown.	Sugar produced.	Arrowroot.	Hay.				Wine-making.			Table use.				
For Hay.	For Green Food for Cattle.																		Wheat.	Barley.	Oats.	Sown Grasses.	No. of Acres.	Wine produced.	Brandy manufactured.	No. of Acres.	Quantity obtained.	Vines unproductive.		
acs.	acres	acres	acres	acres	acs.	bushels	bushels	bshls.	bushels	bshls.	bshls.	tons	lbs.	tns.	cwt.	cwt.	lbs.	tons	tons	tons	tons	galls.	galls.	tons	acres.					
1	18	78 1/2	57	6	6761 1/2	41761	1272	880	6775	15	56	10	480	86	3619	1157	186	40	183	21	136	1 1/2	64 1/2	9660	1300	2	11	12		
640	21 1/2	9	9	198	926	630	40	42	2020	25	10	186	40	21	159	183	183	21	136	9	1500	18	7 1/2	11	2 1/2	11	12			
1	678 1/2	109 1/2	95	18	9654	49031	1342	1172	9045	15	66	889	174	5071	1 1/2	87 1/2	12460	18	9 1/2	10	12	12	12	12	12	12	12	12		
19	8 1/2	2 1/2	39 1/2	20 1/2	1039 1/2	3908	4272	50	22	7 1/2	22	100 1/2	1	108	22	31	5 1/2	1850	1	1	1	1 1/2	1	1	1	1	1	1 1/2		
19	77	11 1/2	12	14 1/2	607	991	673	20	7 1/2	22	22	96	14	97 1/2	31	5 1/2	1850	1	1	1	1 1/2	1	1	1	1	1	1	1 1/2		
14	6	1 1/2	2 1/2	11	70 1/2	200	350	25	25	25	25	25	25	25	25	25	25	25	25	25	25	25	25	25	25	25	25	25	25	
52	167 1/2	14 1/2	56	46 1/2	1944 1/2	5299	5788	70	20 1/2	20 1/2	20 1/2	223 1/2	6 1/2	232 1/2	67	5 1/2	1830	7 1/2	9 1/2	9 1/2	2	4	4	4	4	4	4	4		
6	36	10 1/2	25	4	4042 1/2	37383	766	315	685	20	80	578 1/2	5	565 1/2	7	4 1/2	860	2	2	2	2	2	2	2	2	2	2	2	4	
108	360	20	95 1/2	2	2908 1/2	11507	605	405	210	42	63	981	5	710	182	10 1/2	350	20	9 1/2	10 1/2	10 1/2	10 1/2	10 1/2	10 1/2	10 1/2	10 1/2	10 1/2	10 1/2	4	
2	11	10 1/2	1	1	236	1170	320	40	5	5	5	43	105 1/2	34	34	34	34	34	34	34	34	34	34	34	34	34	34	34	34	
18	11	10 1/2	1	1	572	1555	320	40	16	16	16	405 1/2	34	34	34	34	34	34	34	34	34	34	34	34	34	34	34	34	34	
134	407	30 1/2	132 1/2	6	7759 1/2	51615	1591	760	895	78	148 1/2	2008	5	1469	227	15	1410	20	11 1/2	12 1/2	4	4	4	4	4	4	4	4	4	
67	8 1/2	4 1/2	1	1	67	8 1/2	4 1/2	1	1	1	1	47	3	4	4	4	4	4	4	4	4	4	4	4	4	4	4	4	4	
4 1/2	5	76 1/2	4 1/2	5	76 1/2	4 1/2	5	76 1/2	4 1/2	5	76 1/2	4 1/2	5	76 1/2	4 1/2	5	76 1/2	4 1/2	5	76 1/2	4 1/2	5	76 1/2	4 1/2	5	76 1/2	4 1/2	5	76 1/2	
16	3	29 1/2	24 1/2	363 1/2	8043 1/2	783	155947	786	1145	530	109 1/2	1027 1/2	6 1/2	986 1/2	1927	11 1/2	1500	44	12 1/2	14 1/2	4 1/2	4 1/2	4 1/2	4 1/2	4 1/2	4 1/2	4 1/2	4 1/2	4 1/2	
604	38 1/2	28 1/2	1082	24 1/2	363 1/2	8043 1/2	783	155947	786	1145	530	109 1/2	1027 1/2	6 1/2	986 1/2	1927	11 1/2	1500	44	12 1/2	14 1/2	4 1/2	4 1/2	4 1/2	4 1/2	4 1/2	4 1/2	4 1/2	4 1/2	
606 1/2	7	13 1/2	185 1/2	12 1/2	7009 1/2	100	155211	1127	1143	520	35	80	967	7	950 1/2	1840	8	760	4 1/2	2 1/2	2 1/2	2 1/2	2 1/2	2 1/2	2 1/2	2 1/2	2 1/2	2 1/2	2 1/2	
1226 1/2	48 1/2	42 1/2	1300 1/2	37 1/2	15598 1/2	883	320936	2143	2438	1090	35	192	2012 1/2	13 1/2	1972 1/2	3815	19 1/2	2260	44	17 1/2	17 1/2	5 1/2	5 1/2	5 1/2	5 1/2	5 1/2	5 1/2	5 1/2	5 1/2	
6 1/2	1 1/2	1 1/2	19	5 1/2	421 1/2	1980	2617	362	667	5	14 1/2	4200	3	8	7 1/2	400	4 1/2	400	1 1/2	1 1/2	1 1/2	1 1/2	1 1/2	1 1/2	1 1/2	1 1/2	1 1/2	1 1/2	1 1/2	
6 1/2	1 1/2	1 1/2	19	5 1/2	421 1/2	1980	2617	362	667	5	14 1/2	4200	3	8	7 1/2	400	4 1/2	400	1 1/2	1 1/2	1 1/2	1 1/2	1 1/2	1 1/2	1 1/2	1 1/2	1 1/2	1 1/2	1 1/2	
6 1/2	1 1/2	1 1/2	19	5 1/2	421 1/2	1980	2617	362	667	5	14 1/2	4200	3	8	7 1/2	400	4 1/2	400	1 1/2	1 1/2	1 1/2	1 1/2	1 1/2	1 1/2	1 1/2	1 1/2	1 1/2	1 1/2	1 1/2	1 1/2
3	158 1/2	6	19	33 1/2	913 1/2	120	550	20	180	15	31	2730	3	27	4	2000	8 1/2	2000	8 1/2	8 1/2	8 1/2	8 1/2	8 1/2	8 1/2	8 1/2	8 1/2	8 1/2	8 1/2	8 1/2	
12	287	30 1/2	2	1547 1/2	15	6470	946	421	65	215	215	1	223	50	50	50	50	50	50	50	50	50	50	50	50	50	50	50	50	50
27	445 1/2	6	83 1/2	2	2628 1/2	135	9820	1386	1026	380	334	3	18	492	85	6	2000	8 1/2	8 1/2	8 1/2	8 1/2	8 1/2	8 1/2	8 1/2	8 1/2	8 1/2	8 1/2	8 1/2	8 1/2	
39	48	1 1/2	32	5	5907 1/2	53161	3634	1340	2707	144	354	43	14	986 1/2	33	1	200	1 1/2	1 1/2	1 1/2	1 1/2	1 1/2	1 1/2	1 1/2	1 1/2	1 1/2	1 1/2	1 1/2	1 1/2	
64	24 1/2	5	3077	23702	6941	15069	848	4588	5	16 1/2	5200	350	3	43	7 1/2	400	4 1/2	400	1 1/2	1 1/2	1 1/2	1 1/2	1 1/2	1 1/2	1 1/2	1 1/2	1 1/2	1 1/2	1 1/2	
4	29 1/2	7 1/2	867	5553	633	110	30	17 1/2	17 1/2	17 1/2	17 1/2	17 1/2	17 1/2	17 1/2	17 1/2	17 1/2	17 1/2	17 1/2	17 1/2	17 1/2	17 1/2	17 1/2	17 1/2	17 1/2	17 1/2	17 1/2	17 1/2	17 1/2	17 1/2	17 1/2
107	48	8 1/2	64 1/2	10	9831	82706	6694	2340	4203	199	474	3	86 1/2	48	1907 1/2	84 1/2	1	200	1 1/2	1 1/2	1 1/2	1 1/2	1 1/2	1 1/2	1 1/2	1 1/2	1 1/2	1 1/2	1 1/2	
70	575 1/2	16 1/2	150 1/2	16	12705	120587	8402	3529	14386	324	98	140	108	3086 1/2	44 1/2	5500	10 1/2	10 1/2	10 1/2	10 1/2	10 1/2	10 1/2	10 1/2	10 1/2	10 1/2	10 1/2	10 1/2	10 1/2	10 1/2	
19	770 1/2	63 1/2	5 1/2	1966 1/2	6720	650	153	1220	110	45	13 1/2	56	25	595 1/2	28 1/2	31 1/2	3500	8	8	8	8	8	8	8	8	8	8	8	8	8
30	3	3	342 1/2	2875	90	110	2	2	2	2	2	2	2	2	2	2	2	2	2	2	2	2	2	2	2	2	2	2	2	2
89	1375 1/2	56 1/2	219 1/2	21 1/2	15130 1/2	130792	9447	3832	15761	324	108 1/2	226	139 1/2	3782	73	31 1/2	3500	18 1/2	18 1/2	18 1/2	18 1/2	18 1/2	18 1/2	18 1/2	18 1/2	18 1/2	18 1/2	18 1/2	18 1/2	
45 1/2	1884	1646 1/2	1302 1/2	4057 1/2	862 1/2	237337	1571701	707617	32388	196203	4459	137	15483 1/2	96950	25	1068300	76600 1/2	77584	13333 1/2	751 1/2	31873 1/2	2173 1/2	1012 1/2	199247	254	122	103 1/2	167 1/2		
4 1/2	6108 1/2	22946 1/2	2384 1/2	12983	134 1/2	165233	473076	1189107	34863	98056	6703	1407	10763 1/2	86070	100 1/2	459544	37993 1/2	3770	8988	736	31062 1/2	13421 1/2	1674	439153	1021 1/2	466 1/2	566 1/2	244 1/2		
208	1030 1/2	79	212 1/2	84	17980	73402	147688	2626	14293	785	20	1032	9404	1 1/2	273280	21200	901 1/2	56 1/2	2387 1/2	426	64 1/2	11236	6 1/2	4 1/2	4 1/2	4 1/2	4 1/2	4 1/2		
1 1/2	6069 1/2	9031 1/2	417 1/2	2647 1/2	642	120006	327328	1507394	29608	50301	7237	2313	7678 1/2	119637	11 1/2	198436	14950	2200	5015	590 1/2	22336 1/2	19123 1/2	276	58795	206	104 1/2	133 1/2	36 1/2		
51 1/2	14980	49469 1/2	4183 1/2	19900 1/2	2943	540556	2445507	3551806	99485	358853	19184	3877	34957 1/2	341461	187 1/2	1999560	150744	83554	29137 1/2	2134 1/2	87659 1/2	35144 1/2	3027 1/2	708431	1481 1/2	699 1/2	797 1/2	456 1/2		

(Inadvertently omitted in last year's Return, but included in the Total results at the end of the GENERAL RETURN.)

70	670 1/2	18 1/2	1	1528	440	14005	108	1225	226	263	147 1/2	8	5	123 1/2	60 1/2	60 1/2	60 1/2	
----	---------	--------	---	------	-----	-------	-----	------	-----	-----	---------	---	---	---------	--------	--------	--------	--

PART VI.

MONETARY AND FINANCIAL.

CONTENTS.

Number of Return.		Page
113	Taxes, Duties, &c.	198
114	Fees, &c.	216
115	Accounts, Weights, and Measures	231
116	Course of Exchange	231
117	Rates of Interest allowed to Depositors by the Banks	232
118	Coin and Bullion in the Mint, Banks, &c.	232
119	" " —(Decennial Return)	233
120	Coins in Circulation	233
121	Paper Currency in Circulation	233
122	Banks—Average Assets and Liabilities, &c., &c., for each Quarter of the Year... ..	234
123	New South Wales Savings' Bank—Deposits, Investments, Rates of Interest, &c.	236
124	" " No. of Depositors; Amount of Deposits, &c., &c.	237
125	" " Decennial Return, showing increase and decrease of Deposits, &c., &c.	237
126	Government Savings' Banks—Number of Accounts Opened and Closed; Amount of Deposits, &c., &c.	238
127	Mint—Gold received and issued, from 14 May, 1855, to 31 December, 1877; also, Quantity and Value of Gold received since the opening of the Mint	240
128	Railways—Receipts and Expenditure	241
129	" " (Decennial Return)	241
130	Electric Telegraphs—Number and Value of Telegrams sent from each Station; also Length of Wire and Cost of Construction, &c.	242
131	" " Revenue received; Number and Value of Foreign and Inter-colonial Telegrams transmitted and issued, &c., &c.	243
132	" " Number of Stations and Telegrams; Receipts; Miles of Wire and Cost of Construction—(Decennial Return)	243
133	Post Offices—Letters, &c.—(Decennial Return)	244
134	Money Orders—Issued and paid at the several Offices in the Colony	245
135	" " Revenue received for Commission on Orders; the Number and Amount of Orders issued in the Colony and places at which they were made payable; also the Number and Amount of Orders paid in the Colony and the places at which they were originally issued	246
136	" " Decennial Return	247
137	Immigration—Moneys paid on account of—(Decennial Return)	247
138	Military—Expenditure	247
139	Local Revenues—Municipality—Sydney	248
140	" " —Boroughs and Municipal Districts	249
141	" " —Roads Trusts	251

TAXES, DUTIES, &c.

No. 113.—SCHEDULE of TAXES, DUTIES, FEES, and all other sources of Revenue, specified under the respective Laws or Authorities under which they are derived.

Act of Council under which levied.	SPECIFICATION OF TAXES, DUTIES, &c.	Authority under which originally established.	At what Period.
COLONIAL SPIRITS.			
LICENSED DISTILLERIES.			
29 Vict., No. 15 (19 Jan., 1866).	Upon spirits made or distilled within the Colony, from sugar which shall have paid Customs duties the gal.	s. d. 9 5	Act of Parliament } 59 Geo. III, c. 114 } 19 Vict., No. 15. } 12 July, 1819. 14 Sept., 1855.
	Upon spirits made or distilled within the Colony, wholly or in any proportion exceeding 10 per cent. of the whole from materials which are not subject to any duty of Customs do.	10 0	
	BONDED DISTILLERIES AND SUGAR-HOUSES.		
Act of the Parliament of New South Wales, 26 Vict., No. 18. (Assented to, 20 Dec., 1862) .. }	All spirits, sugar and treacle, produced under this Act, subject to same rules and liable to the same duties as if imported.	} 26 Vict., No. 18..	} 20 Dec., 1862.
COLONIAL BRANDY.			
VINEYARDS.			
Act of the Parliament of New South Wales, 30 Vict., No. 15, 6 Dec., 1866 .. }	Brandy distilled by the owners of vineyards, from grapes the produce of such vineyards, and deposited in any bonded warehouse, liable to the same duty as brandy imported into the Colony; and the same may be sold and delivered out of bond, either for export or home consumption, in the same manner as brandy imported.	} 30 Vict., No. 15..	} 6 Dec., 1866
CUSTOMS.			
IMPORT DUTIES.			
Act of the Parliament of New South Wales, 34 Vic., No. 21	Bacon per lb.	s. d. 0 2	Act of Parliament } 59 Geo. III, c 114 } 19 Vict., No. 14.. } 21 Vict., No. 1 .. } 25 Vict., No. 10.. } 29 Vict., No. 3 .. } 12 July, 1819. 14 Sept., 1855. 20 Nov., 1857. 30 Dec., 1861. 20 June, 1865.
	Bags and Sacks per dozen	1 0	
	Do. Gunny do.	0 6	
	Beer, Ale, Porter, Spruce or other Beer—in wood or jar per gallon	0 6	
	Beer, Ale, Porter, Spruce or other Beer—in bottle do.	0 9	
	Biscuits per lb.	0 1	
	Blue do.	0 1	
	Candles do.	0 1	
	Cement per barrel	2 0	
	Cheese per lb.	0 2	
	Chicory do.	0 3	
	Chocolate do.	0 3	
	Cigars do.	5 0	
	Cocoa do.	0 3	
	Coffee do.	0 3	
	Comfits do.	0 1½	
	Confectionery do.	0 1½	
	Cordage per ton	40 0	
	Corn Flour per lb.	0 1	
	Dates do.	0 1	
	Doors each	1 0	
	Fish—Dried, Preserved, or Salt per lb.	0 1	
	Fruits—Bottled, quarts per dozen	2 0	
	Do. do. pints and smaller quantities do.	1 0	
	Do. Dried per lb.	0 2	
	Ginger do.	0 1	
	Hams do.	0 2	
	Hops do.	0 3	
	Iron—Galvanized, in bars, bundles, or sheets, or corrugated per ton	40 0	
	Iron—Galvanized Manufactures per cwt.	3 0	
	Iron Wire per ton	20 0	
	Jams per lb.	0 1	
	Jellies do.	0 1	
	Maizena do.	0 1	
	Malt per bushel	0 6	
	Mustard per lb.	0 1	
	Nails per ton	40 0	
	Nuts of all kinds (except Cocoa-nuts) per lb.	0 1	
	Oilman's Stores—Sauces and Pickles—quarts per dozen	1 0	
	Do. do. pints and smaller quantities do.	0 6	
	Oils, except Animal, Black, Cocoa-nut, and Sperm per gallon	0 6	
	Opium (including all goods wares and merchandise mixed or saturated with opium or with any preparation or solution thereof or steeped therein) per lb.	10 0	
	Paints per ton	40 0	
	Paper—Writing and Fancy per lb.	1 0	
	Do. Brown and Wrapping per cwt.	3 4	
Pepper per lb.	0 2		

Act of Council under which levied.	SPECIFICATION OF TAXES, DUTIES, &c.— <i>continued.</i>	Authority under which originally established.	At what period.
CUSTOMS—<i>continued.</i>			
IMPORT DUTIES—<i>continued.</i>			
		s. d.	
	Powder—Blasting per lb.	0 1	
	Do. Sporting do.	0 3	
	Preserves do.	0 1	
	Rice per ton	60 0	
	Rope do.	40 0	
	Sago per lb.	0 1	
	Salt and Saltpetre per ton	20 0	
37 Vic. No. 5	Sarsaparilla—If containing not more than twenty-five per centum of proof Spirits per liquid gallon	4 0	
	Sashes each	1 0	
	Shot per cwt.	5 0	
	Shutters each	1 0	
	Soda Crystals per ton	20 0	
	Spices per lb.	0 2	
	Spirits—On all kinds of Spirits imported into the Colony the strength of which can be ascertained by Sykes' Hydrometer the proof gallon	10 0	
Act of the Parliament of New South Wales, 34 Vic., No. 21	Spirits—On all Spirits and spirituous compounds imported into the Colony the strength of which cannot be ascertained by Sykes' Hydrometer the liquid gall.	10 0	Act of Parliament } 12 July, 1819. 59 Geo. III, c.114
	Spirits—Methylated per gallon	2 0	19 Vic., No. 14.. } 14 Sept., 1855.
	Starch per lb.	0 1	21 Vic., No. 1 .. } 20 Nov., 1857.
	Succades do.	0 1	25 Vic., No. 10.. } 30 Dec., 1861.
	Sugar—Raw per cwt.	5 0	29 Vic., No. 3 .. } 20 June, 1865.
	Do. Refined do.	6 8	
	Do. Molasses and Treacle do.	3 4	
	Tea per lb.	0 3	
	Timber—Dressed per 100 feet super.	2 0	
	Do. Rough and undressed do	1 0	
	Tobacco—Manufactured and Snuff per lb.	2 0	
	Do. Unmanufactured do.	1 0	
	Do. Sheeppwash do.	0 3	
	Turpentine per gallon	1 0	
	Varnish do.	2 0	
	Vinegar do.	0 6	
	Wines—sparkling do.	6 0	
	Do. other kinds do.	4 0	
	Woolpacks each	0 3	
EXEMPTIONS.			
19 Vic., No. 14 } (14 Sept., 1855.)	All goods imported for the supply of Her Majesty's Service exempted from all duties and imposts of every description whatsoever.		
7 Vic., No. 28 }	All Wine imported into the Colony of New South Wales, or taken out of bond, for the use of Military or Naval Officers serving on full pay in the said Colony or the adjoining seas, is exempted from duty.		
EXPORT DUTIES.			
	Gold per oz. (Troy)	1 6	
	Wrought or unwrought, by sea or land.		
EXCEPTIONS.			
26 Vic., No. 5.. }	This duty not leviable upon assayed duty-paid gold from the Branch Royal Mint at Sydney, coined gold issued from the Royal Mint at London, or of the Branch thereof at Sydney, or of any Foreign State. Articles of plate, jewellery, or ornament, actually worn upon the person, or made elsewhere than in the Colony.		20 Vic., No. 17.. } 15 Feb., 1857.
WINE, CIDER, AND PERRY.			
Act of the Parliament of N.S.W., 26 Vic., No. 16. (Assented to, 20 Dec., 1862) .. } Amended by Act 40 Vic. No. 7. (9 Aug., 1876) }	Produced from fruit grown in the Colony, license fee £1 0 0 Every license, whensoever granted, shall have effect on and from the day of the date thereof until 1st July then next, and may be renewed as of that day in each year, on payment of aforesaid fee.		26 Vic., No. 16.. } 20 Dec., 1862.
	The premises licensed must be of the annual value of £30, if in a Township; or if elsewhere, of the annual value of £15.		

Act of Council under which levied.	SPECIFICATION OF TAXES, DUTIES, &c.— <i>continued</i> .	Authority under which originally established.	At what Period.																																																																																																																																																																																																								
<p>Governor and Executive Council. (To take effect from 1st Oct., 1877.)</p>	<p align="center">BRANCH ROYAL MINT, SYDNEY. RECEIPT AND COINAGE OF GOLD.</p> <p>Deposits of gold in dust or bullion will be received at the Mint for coinage on the following terms:— In respect to gold, the produce of New South Wales— (1.) A deposit of which the standard weight is less than one thousand ounces troy, at the rate of eight-pence per ounce (standard); eight shillings being charged for any deposit under twelve ounces. (2.) An undivided deposit of which the standard weight is one thousand ounces and under five thousand ounces troy, at the rate of six-pence per ounce (standard). (3.) An undivided deposit of which the standard weight is five thousand ounces troy, and upwards, at the rate of four-pence per ounce (standard). In respect to gold certified to be the produce of any other Colony or Country— (4.) A deposit of which the standard weight is less than one thousand ounces troy, at the rate of five-pence per ounce (standard); five shillings being charged for any deposit under twelve ounces. (5.) An undivided deposit of which the standard weight is one thousand ounces troy, and upwards, at the rate of three-pence per ounce (standard). (6.) An undivided deposit of which the standard weight is five thousand ounces troy, and upwards, at the rate of two-pence per ounce (standard). Light Gold Coin of the Realm will be received for re-coinage without any charge whatever. All fine silver over and above two per cent. contained in refinable gold, will be paid for at a rate to be from time to time notified in the <i>Gazette</i>, and exhibited at the Mint. Gold bullion, in ingots or bars of any fineness, can be obtained at the Mint, at £3 17s. 10½d. per ounce standard. When the gold is required to be alloyed with silver, the silver will be charged for at the purchase rate. Gold imported, 1s. 3d. per oz. Troy of standard fineness, as declared after the said gold shall have been assayed and brought to the standard of 22 carats fine at the Mint.</p>		<p>20 Vict., No. 17. 15 Feb., 1857.</p>																																																																																																																																																																																																								
	<p>26 Vict., No. 5.</p>	<p align="center">BONDED WAREHOUSES.</p> <p>Occupier of any Warehouse not containing more than 50 tons £50 per annum And for every additional 10 tons, the further duty of £1 do. not exceeding £300 To be paid on the 31st March in each year.</p>		<p>20 Vict., No. 21. 23 Feb., 1857.</p>																																																																																																																																																																																																							
<p>8 Vict., No. 16 (20 Dec., 1844.)</p>	<p align="center">WHARFAGE RATES. PUBLIC WHARVES.</p> <table border="1"> <thead> <tr> <th></th> <th align="center" colspan="2">In-wards.</th> <th align="center" colspan="2">Out-wards.</th> </tr> <tr> <th></th> <th align="center">s.</th> <th align="center">d.</th> <th align="center">s.</th> <th align="center">d.</th> </tr> </thead> <tbody> <tr><td>Acids</td><td>0</td><td>8</td><td>0</td><td>6</td></tr> <tr><td>Agricultural Implements</td><td>0</td><td>8</td><td>0</td><td>6</td></tr> <tr><td>Alum, barrel or keg</td><td>0</td><td>8</td><td>0</td><td>6</td></tr> <tr><td> " the ton</td><td>1</td><td>8</td><td>1</td><td>3</td></tr> <tr><td>Alkali, loose, the ton</td><td>1</td><td>8</td><td>1</td><td>3</td></tr> <tr><td> " in casks, according to size.</td><td></td><td></td><td></td><td></td></tr> <tr><td>Almonds, the hogshead</td><td>1</td><td>0</td><td>0</td><td>9</td></tr> <tr><td> " the package, cask, or case</td><td>0</td><td>4</td><td>0</td><td>3½</td></tr> <tr><td> " the bag</td><td>0</td><td>2</td><td>0</td><td>1</td></tr> <tr><td>Anchors, Grapnels, the ton</td><td>2</td><td>4</td><td>1</td><td>9</td></tr> <tr><td> " in small packages, each</td><td>0</td><td>4</td><td>0</td><td>3</td></tr> <tr><td>Anchovies, the crate</td><td>0</td><td>8</td><td>0</td><td>6</td></tr> <tr><td> " the case</td><td>0</td><td>4</td><td>0</td><td>3</td></tr> <tr><td> " the barrel or keg</td><td>0</td><td>2</td><td>0</td><td>1½</td></tr> <tr><td>Aniseed, the package</td><td>0</td><td>4</td><td>0</td><td>3</td></tr> <tr><td>Annatto, the cask or case</td><td>0</td><td>4</td><td>0</td><td>3</td></tr> <tr><td> " the basket or bag</td><td>0</td><td>3</td><td>0</td><td>2½</td></tr> <tr><td>Antimony Ore, the ton</td><td>2</td><td>4</td><td>1</td><td>9</td></tr> <tr><td>Anvils, each</td><td>0</td><td>2</td><td>0</td><td>1½</td></tr> <tr><td> " per ton</td><td>1</td><td>8</td><td>1</td><td>3</td></tr> <tr><td>Asses and Mules, each</td><td>0</td><td>8</td><td>0</td><td>6</td></tr> <tr><td>Axletrees, each</td><td>0</td><td>4</td><td>0</td><td>3</td></tr> <tr><td>Apples, the package</td><td>0</td><td>4</td><td>0</td><td>3</td></tr> <tr><td>Arrowroot, the cask or case</td><td>0</td><td>4</td><td>0</td><td>3</td></tr> <tr><td>Apparel, Wearing, the case</td><td>0</td><td>4</td><td>0</td><td>3</td></tr> <tr><td>Bacon, the bale, bundle, or case</td><td>0</td><td>4</td><td>0</td><td>3</td></tr> <tr><td> " the side</td><td>0</td><td>2</td><td>0</td><td>1½</td></tr> <tr><td>Bags, empty, the bale or bundle</td><td>0</td><td>4</td><td>0</td><td>3</td></tr> <tr><td>Bark, loose or in bags, the ton</td><td>1</td><td>8</td><td>1</td><td>3</td></tr> <tr><td> " Peruvian, the case or chest</td><td>0</td><td>6</td><td>0</td><td>4½</td></tr> <tr><td>Barley, loose or in bags, the bushel</td><td>0</td><td>0½</td><td>0</td><td>0½</td></tr> <tr><td> " Pearl, the cask or case</td><td>0</td><td>4</td><td>0</td><td>3</td></tr> <tr><td> " the keg or jar</td><td>0</td><td>2</td><td>0</td><td>1½</td></tr> <tr><td>Baskets, empty, each</td><td>0</td><td>1</td><td>0</td><td>0½</td></tr> <tr><td>Beans, in bags, the bushel</td><td>0</td><td>0½</td><td>0</td><td>0½</td></tr> <tr><td> " in casks, according to size.</td><td></td><td></td><td></td><td></td></tr> <tr><td>Beef and Pork, the tierce or hogshead</td><td>0</td><td>6</td><td>0</td><td>4½</td></tr> <tr><td> " the barrel</td><td>0</td><td>4</td><td>0</td><td>3</td></tr> </tbody> </table>		In-wards.		Out-wards.			s.	d.	s.	d.	Acids	0	8	0	6	Agricultural Implements	0	8	0	6	Alum, barrel or keg	0	8	0	6	" the ton	1	8	1	3	Alkali, loose, the ton	1	8	1	3	" in casks, according to size.					Almonds, the hogshead	1	0	0	9	" the package, cask, or case	0	4	0	3½	" the bag	0	2	0	1	Anchors, Grapnels, the ton	2	4	1	9	" in small packages, each	0	4	0	3	Anchovies, the crate	0	8	0	6	" the case	0	4	0	3	" the barrel or keg	0	2	0	1½	Aniseed, the package	0	4	0	3	Annatto, the cask or case	0	4	0	3	" the basket or bag	0	3	0	2½	Antimony Ore, the ton	2	4	1	9	Anvils, each	0	2	0	1½	" per ton	1	8	1	3	Asses and Mules, each	0	8	0	6	Axletrees, each	0	4	0	3	Apples, the package	0	4	0	3	Arrowroot, the cask or case	0	4	0	3	Apparel, Wearing, the case	0	4	0	3	Bacon, the bale, bundle, or case	0	4	0	3	" the side	0	2	0	1½	Bags, empty, the bale or bundle	0	4	0	3	Bark, loose or in bags, the ton	1	8	1	3	" Peruvian, the case or chest	0	6	0	4½	Barley, loose or in bags, the bushel	0	0½	0	0½	" Pearl, the cask or case	0	4	0	3	" the keg or jar	0	2	0	1½	Baskets, empty, each	0	1	0	0½	Beans, in bags, the bushel	0	0½	0	0½	" in casks, according to size.					Beef and Pork, the tierce or hogshead	0	6	0	4½	" the barrel	0	4	0	3	<p>Order of Govern- nor King 11 Oct., 1800. Order of Govern- nor Bligh 11 Nov., 1807. Proclamation, which was legalized by Act of Council 6 Geo. IV., No. 20 14 Aug., 1818. Acts of Council— 3 Wm. IV., No. 6 1 Nov., 1825. 4 Vict., No. 4 31 Aug., 1832. 7 Vict., No. 12. 21 July, 1840. 8 Dec., 1843.</p>	
		In-wards.		Out-wards.																																																																																																																																																																																																							
	s.	d.	s.	d.																																																																																																																																																																																																							
Acids	0	8	0	6																																																																																																																																																																																																							
Agricultural Implements	0	8	0	6																																																																																																																																																																																																							
Alum, barrel or keg	0	8	0	6																																																																																																																																																																																																							
" the ton	1	8	1	3																																																																																																																																																																																																							
Alkali, loose, the ton	1	8	1	3																																																																																																																																																																																																							
" in casks, according to size.																																																																																																																																																																																																											
Almonds, the hogshead	1	0	0	9																																																																																																																																																																																																							
" the package, cask, or case	0	4	0	3½																																																																																																																																																																																																							
" the bag	0	2	0	1																																																																																																																																																																																																							
Anchors, Grapnels, the ton	2	4	1	9																																																																																																																																																																																																							
" in small packages, each	0	4	0	3																																																																																																																																																																																																							
Anchovies, the crate	0	8	0	6																																																																																																																																																																																																							
" the case	0	4	0	3																																																																																																																																																																																																							
" the barrel or keg	0	2	0	1½																																																																																																																																																																																																							
Aniseed, the package	0	4	0	3																																																																																																																																																																																																							
Annatto, the cask or case	0	4	0	3																																																																																																																																																																																																							
" the basket or bag	0	3	0	2½																																																																																																																																																																																																							
Antimony Ore, the ton	2	4	1	9																																																																																																																																																																																																							
Anvils, each	0	2	0	1½																																																																																																																																																																																																							
" per ton	1	8	1	3																																																																																																																																																																																																							
Asses and Mules, each	0	8	0	6																																																																																																																																																																																																							
Axletrees, each	0	4	0	3																																																																																																																																																																																																							
Apples, the package	0	4	0	3																																																																																																																																																																																																							
Arrowroot, the cask or case	0	4	0	3																																																																																																																																																																																																							
Apparel, Wearing, the case	0	4	0	3																																																																																																																																																																																																							
Bacon, the bale, bundle, or case	0	4	0	3																																																																																																																																																																																																							
" the side	0	2	0	1½																																																																																																																																																																																																							
Bags, empty, the bale or bundle	0	4	0	3																																																																																																																																																																																																							
Bark, loose or in bags, the ton	1	8	1	3																																																																																																																																																																																																							
" Peruvian, the case or chest	0	6	0	4½																																																																																																																																																																																																							
Barley, loose or in bags, the bushel	0	0½	0	0½																																																																																																																																																																																																							
" Pearl, the cask or case	0	4	0	3																																																																																																																																																																																																							
" the keg or jar	0	2	0	1½																																																																																																																																																																																																							
Baskets, empty, each	0	1	0	0½																																																																																																																																																																																																							
Beans, in bags, the bushel	0	0½	0	0½																																																																																																																																																																																																							
" in casks, according to size.																																																																																																																																																																																																											
Beef and Pork, the tierce or hogshead	0	6	0	4½																																																																																																																																																																																																							
" the barrel	0	4	0	3																																																																																																																																																																																																							

Act of Council under which levied.	SPECIFICATION OF TAXES, DUTIES, &c.— <i>continued.</i>	Authority under which originally established.	At what Period.
WHARFAGE RATES—<i>continued.</i>			
PUBLIC WHARVES—<i>contd.</i>			
		In-wards.	Out-wards.
		s. d.	s. d.
	Beer or Cider, in bulk, the hogshead	0 6	0 4½
	" " the barrel	0 4	0 3
	" bottled, 1 to 3 doz., the cask or case	0 2	0 1½
	" " 4 to 5 doz.	0 3	0 2¼
	" " 6 to 8 doz.	0 4	0 3
	" " 9 doz.	0 6	0 4½
	Beeswax, the cask or case	0 4	0 3
	Berries, Juniper, the package	0 4	0 3
	Bellows, Smiths', the pair	0 4	0 3
	Billiard-tables, each	3 4	2 6
	Biscuit, in bags, the ton	1 8	1 3
	" the puncheon	0 8	0 6
	" the hogshead	0 6	0 4½
	" the barrel	0 3	0 2¼
	" the keg	0 2	0 1½
	Blankets, the bale	0 4	0 3
	Blacklead, the cask or case	0 4	0 3
	Blacking, the hogshead	0 8	0 6
	" the cask	0 4	0 3
	" the keg	0 2	0 1½
	Bottles, empty, the package	0 4	0 3
	Bones, per ton	2 4	1 9
	" Shank, 1,000	1 8	1 3
	Bran, the sack	0 1	0 0¾
	Brimstone, loose, the ton	1 8	1 3
	" the cask or case	0 4	0 3
	Bricks, per dozen	0 4	0 3
	Bristles, the cask or case	0 4	0 3
	Brooms or Brushes, the cask or case	0 6	0 4½
	" " the bundle	0 4	0 3
	" " loose, the dozen	0 2	0 1½
	Bull or Cow, each	1 8	1 3
	Burr Stones, each	0 1	0 0¾
	Buoys, the ton	2 4	1 9
	Butter, the barrel	0 4	0 3
	" the firkin or keg	0 2	0 1½
	Boots and Shoes, the cask or case	0 4	0 3
	Books, the cask or case	0 4	0 3
	Brandied Fruits, the case	0 4	0 3
	Cables, Iron, the ton	2 4	1 9
	" Rope, the ton	1 8	1 3
	Calf, each	0 8	0 6
	Camphor, the tub or chest	0 4	0 3
	Camphorwood Planks, per 1,000	1 8	1 3
	Cans or Bamboos, per 100 bundles	1 8	1 3
	" " loose, per hundred	0 1	0 0¾
	Candles, the package	0 4	0 3
	Cannons, the ton	2 4	1 9
	Canvas, the bale	0 4	0 3
	" the bolt	0 1	0 0¾
	" the bale of 2 bolts	0 2	0 1½
	Carts, each	1 8	1 3
	Capers, the cask or case	0 4	0 3
	" the keg	0 2	0 1½
	Cards, the case	0 4	0 3
	Casks, empty, the ton	0 4	0 3
	Cardamons, the case	0 4	0 3
	" the bag	0 2	0 1½
	Carpets, the bale or case	0 4	0 3
	Caraway Seeds, the case	0 4	0 3
	" " the bag	0 2	0 1½
	Cashu Nuts, the bag	0 2	0 1½
	Cassia, the case	0 4	0 3
	Castor Oil, the case	0 4	0 3
	Carrots, the ton	1 1½	0 10
	Chairs, the case	0 4	0 3
	" loose, each	0 1	0 0¾
	Carriages, 4-wheeled, each	3 4	2 6
	" 2-wheeled, each	1 8	1 3
	Cement, the barrel	0 4	0 3
	" loose, the ton	1 8	1 3
	Chalk or Whiting, in bulk, the ton	1 8	1 3
	" " in casks according to size.	0 4	0 3
	Cheese, the cask or case	0 4	0 3
	" in tins	0 1	0 0¾
	" loose, each	0 1	0 0¾
	Chillies, the case	0 4	0 3

8 Vict., No. 16
(20 Dec. 1844)

Order of Govern-
nor King .. } 11 Oct., 1800.
Order of Govern-
nor Bligh .. } 11 Nov., 1807.
Proclamation,
which was
legalized by
Act of Council
6 Geo. IV.,
No. 20 .. } 14 Aug., 1818.
Acts of Council—
3 Wm. IV., No. 6. } 31 Aug., 1832.
4 Vic., No. 4 .. } 21 July, 1840.
7 Vic., No. 12 .. } 8 Dec., 1843.

Act of Council under which levied.	SPECIFICATION OF TAXES, DUTIES, &c.— <i>continued.</i>	Authority under which originally established.	At what Period.
WHARFAGE RATES—<i>continued.</i>			
PUBLIC WHARVES—<i>contd.</i>			
		In-wards.	Out-wards.
		s. d.	s. d.
	Furniture, the crate	0 8	0 6
	" the package or case	0 4	0 3
	Fruit, Green, the package	0 4	0 3
	Furs, the cask or case	0 4	0 3
	Felloes, per 1,000	3 4	2 6
	Ginger, the cask or case	0 4	0 3
	" the bag	0 2	0 1½
	" per 100 pockets	3 4	2 6
	Glassware. (See Earthenware.)		
	Glass, Plate, the case	0 6	0 4½
	" Window, the box	0 4	0 3
	Glue, the hogshead	0 8	0 6
	" the cask or case	0 4	0 3
	Grates and Stoves, each	0 4	0 3
	Grain. (See Corn.)		
	Grindstones, each	0 1	0 0¾
	Grindery, the cask or case	0 6	0 4½
	Gunny Bags, the bale	0 4	0 3
	Gunpowder, free		
	Gum, the cask or case	0 4	0 3
	" Kawrie, per ton	1 8	1 3
	Gypsum, the hogshead	0 8	0 6
	" the cask or case	0 4	0 3
	" loose, the ton	1 8	1 3
	Guano, loose, the ton	1 8	1 3
	Hair, the cask or case	0 4	0 3
	" the hogshead	0 6	0 4½
	Hams, loose, the dozen	0 2	0 1½
	" the hogshead	1 0	0 9
	" the case or cask	0 4	0 3
	Hardware, the hogshead or crate	0 8	0 6
	" Ironmongery, the cask or case	0 6	0 4½
	" the bag or keg	0 2	0 1½
	" the bundle	0 4	0 3
	Harps, each	1 0	0 9
	Harrows, each	0 4	0 3
	Hats, the case	0 4	0 3
	Hay, the ton	1 8	1 3
	Hemp, loose, the ton	1 8	1 3
	" the bale	0 4	0 3
	Herrings. (See Fish.)		
	Hides, per 40	1 9	1 3
	Honey, the package	0 4	0 3
	Hops, the bale or bag	0 8	0 6
	" the pocket	0 4	0 3
	Hoops, Wood, the bundle	0 1	0 0¾
	" Iron. (See Iron.)		
	Horses, each	1 0	0 9
	" Cob or Pony	0 6	0 4½
	Horns, per 100	1 8	1 3
	Hoofs, per ton	2 4	1 9
	Ice, the ton	1 0	0 9
	India-rubber, the package	0 4	0 3
	Iron, in bars, hoop or rod, pig or sheet, pots, tire, or		
	" hurdles, the ton	1 8	1 3
	" Machinery, the ton	2 4	1 9
	Ironmongery, cask or case	0 6	0 4½
	Isinglass, the package	0 4	0 3
	Ivory, the package	0 4	0 3
	Instruments, Metal	0 6	0 4½
	Jute. (See Hemp.)		
	Lacquered Ware, the package	0 4	0 3
	Lard, the case or cask	0 4	0 3
	" the keg	0 2	0 1½
	Laths, per 1,000	0 6	0 4½
	Lead, in rolls or loose, the ton	1 8	1 3
	Leather, the bale or case	0 4	0 3
	" loose, the ton	2 4	1 9
	Leeches, the package	0 4	0 3
	Lime, the ton	1 8	1 3
	Logwood, the ton		
	" in casks, according to size.		
	Looking-glasses	0 6	0 4½
	Manufactures, the package	0 4	0 3
	" soft goods		
	Mangles, each	0 8	0 6

8 Vict.,
(20 Dec

Order of Govern- }
nor King .. } 11 Oct., 1800.
Order of Govern- }
nor Bligh .. } 11 Nov., 1807.
Proclamation, }
which was }
legalized by }
Act of Council }
6 Geo. IV., }
No. 20 .. }
Acts of Council— }
3 Wm. IV., No. 6 } 31 Aug., 1832.
4 Vic., No. 4 .. } 21 July, 1840.
7 Vic., No. 12.. } 8 Dec., 1843.

Act of Council under which levied.	SPECIFICATION OF TAXES, DUTIES, &c.— <i>continued.</i>	Authority under which originally established.	At what Period.
WHARFAGE RATES—<i>continued.</i>			
PUBLIC WHARVES—<i>contd.</i>			
		In-wards.	Out-wards.
		s. d.	s. d.
	Marble, manufactured, the package.. .. .	0 8	0 6
	" in blocks, the ton	1 8	1 3
	Matting, the roll	0 2	0 1½
	Machinery, per case	0 6	0 4½
	" castings, per ton.. .. .	2 4	1 9
	Minerals, the ton	0 6	0 3
	Mill-stones, each	1 4	1 0
	Molasses, the puncheon	0 8	0 6
	" the hogshead	0 6	0 4½
	" the cask	0 4	0 3
	" in tanks, the ton	1 8	1 3
	Mother-of-pearl Shells, the ton	1 8	1 3
	Mules, each	0 8	0 6
	Mustard, the cask or case	0 4	0 3
	Musical Instruments (not Piano or Harp), the case	0 8	0 6
	Nails, the cask	0 4	0 3
	" bag or keg	0 2	0 1½
	Needles, per case	0 6	0 4½
	Nuts, the case	0 4	0 3
	Nutmegs, the bag	0 2	0 1½
	Oats. (See Corn.)		
	Oakum, the ton	1 8	1 3
	Oatmeal, the cask or case	0 4	0 3
	" the keg	0 2	0 1½
	Oars, per dozen	0 4	0 3
	Oil-cake, loose, the ton	1 8	1 3
	" in casks, according to size.		
	Oil, Black or Sperm, the tun.. .. .	1 4	1 0
	" if in quantities of less than a tun to be charged by the cask.		
	Linseed and other Oils, the butt	1 4	1 0
	" " the pipe	0 8	0 6
	" " the hogshead	0 6	0 4½
	" " the cask	0 4	0 3
	" " the chest or case	0 4	0 3
	Oilmen's Stores, the sugar hogshead	1 0	0 9
	" " the hogshead	0 6	0 4½
	" " the cask or case	0 4	0 3
	" " the keg, basket, or bag	0 2	0 1½
	Onions, per ton	1 1½	0 10
	Ornaments, figures, &c.	0 8	0 6
	Paint, sugar hogshead	1 4	1 0
	" (and see Colours) hogshead	0 8	0 6
	" the butt.. .. .	1 8	1 3
	" the keg, according to weight.		
	Pailings, per 1,000	5 0	...
	Pails, per dozen	0 3	0 2
	Paddy, in bulk, the ton	1 1½	0 10
	" the bag	0 1	0 0½
	Paper, the bale or case	0 4	0 3
	Pease, the cask or case	0 4	0 3
	" the bag or keg.. .. .	0 2	0 1½
	" the butt.. .. .	1 4	1 0
	Pepper and Spices, the bag	0 2	0 1½
	Pianofortes, each	1 4	1 0
	Pigs, each	0 2	0 1½
	Pictures, the case	0 4	0 3
	Piece goods, the bale or case.. .. .	0 4	0 3
	Pitch, the barrel	0 4	0 3
	Ploughs, Harrows, or Drills, each	0 4	0 3
	Pork, the barrel	0 4	0 3
	" the half-barrel	0 2	0 1½
	Potatoes, the ton	1 8	1 3
	Quicksilver, the bottle	0 2	0 1½
	Raisins, under 30 lbs., the box	0 1	0 0½
	" 30 to 56 lbs., the box	0 2	0 1½
	" 56 lbs. and upwards	0 4	0 3
	Rattans. (See Canes.)		
	Rice, the bag	0 1	0 0½
	Rope, the ton	2 4	1 9
	Salt, the ton	1 0	0 9
	" the basket, the hogshead	0 8	0 6
	" the sugar hogshead	1 4	1 0
	Sago, the cask or case	0 4	0 3
	" the bag	0 1	0 0½

8 Vict., No. 16
(20 Dec., 1844)

Order of Govern-
nor King .. } 11 Oct., 1800.
Order of Govern-
nor Bligh .. } 11 Nov., 1807.
Proclamation,
which was } 14 Aug., 1818.
legalized by }
Act of Council } 1 Nov., 1825.
6 Geo. IV.,
No. 20 .. }
Acts of Council—
3 Wm. IV., No. 6. } 31 Aug., 1832.
4 Vic., No. 4. .. } 21 July, 1840.
7 Vic., No. 12.. } 8 Dec., 1843.

Act of Council under which levied.	SPECIFICATION OF TAXES, DUTIES, &c.— <i>continued</i> .	Authority under which originally established.	At what Period.
WHARFAGE RATES—<i>continued</i>.			
PUBLIC WHARVES—<i>contd.</i>			
		In-wards.	Out-wards.
		s. d.	s. d.
	Seltzer and Soda Water, per dozen	0 1	0 0 ³ / ₄
	Sashes, per bundle of six	0 4	0 3
	Sheep or Goats, each	0 2	0 1 ¹ / ₂
	Shingles, per 1,000	0 8	1 6
	Ship's Hearth, per ton	2 4	1 9
	Shot, the cask	0 4	0 3
	.. the bag or keg	0 2	0 1 ¹ / ₂
	Shooks, the bundle	0 2	0 1 ¹ / ₂
	Shower-baths	0 6	0 4
	Soap, 112 lbs. the box	0 4	0 3
	.. 56 lbs.	0 2	0 1 ¹ / ₂
	.. 28 lbs.	0 1	0 0 ³ / ₄
	Skins, loose, per dozen	0 2	0 1 ¹ / ₂
	.. the cask or case	0 4	0 3
	.. the hogshead	0 8	0 6
	Slates, per 1,000	1 8	1 3
	.. writing, per case	0 6	0 4 ¹ / ₂
	Slops, the hogshead	0 8	0 6
	.. the bundle	0 4	0 3
	.. the bale	0 6	0 4 ¹ / ₂
	.. the case	0 4	0 3
	Spades, Shovels, Forks, and Frying-pans, the dozen	0 2	0 1 ¹ / ₂
	Spars, the foot	0 0 ¹ / ₂	0 0 ³ / ₄
	Spelter, the ton	1 8	1 3
	Starch, the case	0 4	0 3
	Stationery, the package	0 4	0 3
	Staves, per 100	1 0	0 9
	Steel, the ton	2 4	1 9
	Steam Engines and Boilers, per ton	2 4	1 9
	Steel, the cask or case	0 6	0 4 ¹ / ₂
	Sugar, refined, per sugar hogshead	1 4	1 0
	.. the hogshead	0 8	0 6
	.. the tierce	0 6	0 4
	.. the cask or case	0 4	0 3
	.. raw, the bag	0 1	0 0 ³ / ₄
	.. in casks or baskets, the ton	1 8	1 3
	Spokes, per 1,000	1 8	1 3
	Tallow, the hogshead	0 6	0 4 ¹ / ₂
	.. Slush, or Fat, the cask	0 4	0 3
	Tar or Pitch, the barrel	0 4	0 3
	Tea, the chest	0 4	0 3
	.. the half-chest	0 2	0 1 ¹ / ₂
	.. the box	0 1	0 0 ³ / ₄
	Timber, the load	1 8	1 3
	Tin Plates, the box	0 4	0 3
	Threshing and Winnowing Machines, each	2 0	1 6
	Treenails	1 8	1 3
	Twine, the hogshead	0 8	0 6
	.. the bale, cask, or case	0 4	0 3
	Tobacco, the hogshead	1 0	0 9
	.. the tierce	0 6	0 4 ¹ / ₂
	.. the keg	0 2	0 1 ¹ / ₂
	.. the basket or roll	0 1	0 0 ³ / ₄
	Toys and turnery, the cask or case	0 4	0 3
	Tongues and Tripe, the keg	0 2	0 1 ¹ / ₂
	Tubs, per nest	0 4	0 3
	Vitriol, the case	0 8	0 6
	.. the carboys	0 4	0 3
	Vinegar, the hogshead	0 6	0 4
	.. the barrel or half-hogshead	0 3	0 2
	Wheels, cart or carriage, each	0 2	0 1 ¹ / ₂
	Whalebone, the ton	2 4	1 9
	Whale and other Boats, each	0 8	0 6
	Wheelbarrows, each	0 2	0 1 ¹ / ₂
	Wine and Spirits, the leagner	1 0	0 9
	.. the half-leagner	0 8	0 6
	.. the pipe, butt, or puncheon	0 8	0 6
	.. the hogshead	0 6	0 4 ¹ / ₂
	.. the barrel or quarter cask	0 3	0 2 ¹ / ₂
	.. the 1 or 3 dozen cask or case	0 2	0 1 ¹ / ₂
	.. 3 or 4 dozen	0 3	0 2 ¹ / ₂
	.. 5 or 6 dozen	0 4	0 3
	.. above 6 dozen	0 6	0 4 ¹ / ₂
	Gin, case of 4 gallons	0 4	0 3
	.. 2 gallons	0 2	0 1 ¹ / ₂
	Wool, the bale	0 4	0 3
	Woolpacks, the bale	0 4	0 3
	Yams	1 1 ¹ / ₂	0 10

8 Vict., No. 16
(20 Dec., 1844.)

Order of Govern- }
nor King .. } 11 Oct., 1800.
Order of Govern- }
nor Bligh .. } 11 Nov., 1807.
Proclamation, }
which was } 14 Aug., 1818.
legalized by }
Act of Council, }
6 Geo. IV. No. 20.. } 1 Nov., 1825.
Acts of Council—
3 Wm. IV, No. 6 } 31 Aug., 1832.
4 Vict., No. 4... } 21 July, 1840.
7 Vict., No. 12. } 8 Dec., 1843.

Act of Council under which levied.	SPECIFICATION OF TAXES, DUTIES, &c.— <i>continued.</i>	Authority under which originally established.	At what Period.																																									
WHARFAGE RATES—<i>continued.</i>																																												
PUBLIC WHARVES—<i>contd.</i>																																												
8 Vict., No. 16 (20 Dec., 1844).	Unenumerated goods—	<table border="1" style="font-size: small;"> <thead> <tr> <th colspan="2">In-wards.</th> <th colspan="2">Out-wards</th> </tr> <tr> <th>s.</th> <th>d.</th> <th>s.</th> <th>d.</th> </tr> </thead> <tbody> <tr> <td>2</td> <td>4</td> <td>1</td> <td>9</td> </tr> <tr> <td>1</td> <td>4</td> <td>1</td> <td>0</td> </tr> <tr> <td>0</td> <td>8</td> <td>0</td> <td>6</td> </tr> <tr> <td>0</td> <td>6</td> <td>0</td> <td>4½</td> </tr> <tr> <td>0</td> <td>4</td> <td>0</td> <td>3</td> </tr> <tr> <td>0</td> <td>2</td> <td>0</td> <td>1½</td> </tr> <tr> <td>0</td> <td>4</td> <td>0</td> <td>3</td> </tr> <tr> <td>0</td> <td>1</td> <td>0</td> <td>0½</td> </tr> </tbody> </table>	In-wards.		Out-wards		s.	d.	s.	d.	2	4	1	9	1	4	1	0	0	8	0	6	0	6	0	4½	0	4	0	3	0	2	0	1½	0	4	0	3	0	1	0	0½	Order of Governor King .. } Order of Governor Bligh .. } Proclamation, which was legalized by Act of Council, 6 Geo. IV, No. 20 .. } Acts of Council— 3 Wm. IV, No. 6 .. } 4 Vict., No. 4 .. } 7 Vict., No. 12.. }	11 Oct., 1800. 11 Nov., 1807. 14 Aug., 1818. 1 Nov., 1825. 31 Aug., 1832. 21 July, 1840. 8 Dec., 1843.
	In-wards.		Out-wards																																									
	s.	d.	s.	d.																																								
	2	4	1	9																																								
	1	4	1	0																																								
	0	8	0	6																																								
	0	6	0	4½																																								
	0	4	0	3																																								
0	2	0	1½																																									
0	4	0	3																																									
0	1	0	0½																																									
" heavy, the ton.. ..	" ditto, in packages, the tun butt ..	" the butt or puncheon.. ..	" the hogshhead or crate																																									
" the barrel	" the keg or firkin	" the bundle or case	" the jar, can, or bottle																																									
LICENSES.																																												
MINING.																																												
37 Vict., No. 13, (1 May, 1874), Government Regulations, 13 July, 1874 ..	MINERS' RIGHTS—If issued between 1 January and 30 June in any year to be in force till 31 December .. each	£ s. d. 0 10 0																																										
	If issued between 30 June and 31 December, to be in force till 31 December each	0 5 0																																										
	Miners' Rights may also be issued for any period not exceeding fifteen years upon payment of a sum at the rate of 10s. for every year for which the same is to be in force.																																											
	BUSINESS LICENSES—If issued for twelve months .. each	1 0 0																																										
	If issued for six months	0 10 0																																										
	Mineral Licenses—For a period of twelve months	1 0 0	Proclamation....	22 May, 1851.																																								
	LEASES OF AURIFEROUS TRACTS—1 to 25 acres alluvial and quartz reef per acre	1 0 0	Government Notices ..	23 May, 1851. 1 June, 1851. 7 Oct., 1851. 29 Mar., 1852.																																								
	Mineral Leases—Not less than 40 acres nor more than 640 acres for Coal, and not less than 20 acres nor more than 80 acres for other Minerals per acre	0 5 0	Acts of Council— 16, 17, 18, 19, and 20 Vict., Nos. 43, 23, 19, 20 and 29; and 25 Vic. No. 4 ..	1 Feb., 1853. 1 Oct., 1853. 1 Jan., 1855. 1 Jan., 1856. 11 Mar., 1857. 22 Nov., 1861. 5 Aug., 1858. 9 Feb., 1862.																																								
	Summons to attend Warden's Court	0 2 6																																										
	For each transfer	0 10 0	Government Notices ..	31 July, 1866. 24 Sept., 1869. 17 Feb., 1870. 13 July, 1874.																																								
	For each mortgage or other encumbrance	0 10 0																																										
	For each sub-lease	1 0 0																																										
	For amalgamation of mineral lots each lot	0 10 0																																										
	For copy of, or extract from, any entry, record, report, instrument, or document per folio	0 1 6																																										
For copy of any plan of one lease	0 5 0																																											
For copy of every additional lease on same plan	0 2 6																																											
For inspection of any record	0 1 0																																											
RENT OF RUNS HELD FOR PASTORAL PURPOSES BEYOND THE SETTLED DISTRICTS.																																												
Act of the Parliament of New South Wales, 25 Vict., No. 2 (18 Oct., 1861)..	The minimum rent is £10 per annum—the rent being determined by an appraisalment of the fair annual value of the runs for pastoral purposes	25 Vict., No. 2 ..	18 Oct., 1861.																																									

Act of Council under which levied.	SPECIFICATION OF TAXES, DUTIES, &c.— <i>continued.</i>	£ s. d.	Authority under which originally established.	At what Period.
LICENSES—<i>continued.</i>				
RENT OF LEASES WITHIN THE SETTLED DISTRICTS.				
Government Regulations of 1 Nov., 1861 ..	Minimum rent of leases acquired at auction, for every section of 640 acres per annum	1 0 0	{ Government Regulations.. }	1 Nov., 1861.
TRANSFER FEES.				
Government Regulations of 1 Nov., 1861 ..	On recording the transfer of lease or right of lease in any run beyond Settled Districts, a fee of	2 0 0	{ Government Regulations.. }	1 Nov., 1861.
TIMBER AND OTHER LICENSES.				
Government Notice, 14 Dec., 1866	To cut timber, cedar, or pine, or for quarrying stone or digging clay, gravel, shells, or other material, per annum To cut hardwood only, per annum Licenses are ordinarily in force from date of issue to the 31st December; but are granted at any time, available to the end of the current quarter or half-year—for which one-quarter or one-half the regulated fee will be charged respectively.	3 0 0 1 0 0	{ Government Notices .. }	21 July, 1826. 24 April, 1835. 21 May, 1839. 16 Sept., 1850. 1 Nov., 1861. 19 July, 1864. 23 Aug., 1875.
Government Notice, 29 Dec., 1865	PASTORAL LEASE FEE.—On the preparation and issue of lease for pastoral purposes	1 0 0	{ Government Notice .. }	29 Dec., 1865.
11 Vict., No. 16 (31 Aug., 1847).	AUCTIONEER'S GENERAL LICENSE. For all parts of the Colony, including the city of Sydney Annually	15 0 0	{ Order of Governor King Act of Council 9 Geo. IV, No. 13 .. }	15 Jan., 1801.
	AUCTIONEER'S DISTRICT LICENSE. For a Police District only do	2 0 0		9 Aug., 1828.
20 Vict., No. 37 (18 Mar., 1857).	SPIRIT MERCHANTS. Registration of the same, and description of the premises of any Spirit Merchant, if his premises are situated within the boundaries of the city do If situated elsewhere do	30 0 0 20 0 0	{ 20 Vict., No. 37.. }	18 Mar., 1857.
Act of Parliament of New South Wales, 25 Vict., No. 14. (Assented to, 20 Jan., 1862).	PUBLICAN'S GENERAL LICENSE. To retail fermented and spirituous liquors .. do For permission to allow the game of billiards to be played.. .. . do For permission to allow the game of bagatelle to be played.. .. . do	30 0 0 10 0 0 5 0 0	{ Government Order .. Acts of Council— 7 Geo. IV, No. 2 6 Geo. IV, No. 4 11 Geo. IV, No. 11 3 Wm. IV, No. 8 2 Vict., No. 18.. 13 Vict., No. 29.. 17 Vict., No. 6 .. Government Order .. Acts of Council— 6 Geo. IV, No. 20 2 Vict., No. 24.. 3 Vict., No. 9 .. Acts of Council— 2 Vict., No. 24.. 3 Vict., No. 9 .. }	21 July, 1810. 20 Feb., 1826. 8 Feb., 1825. 12 May, 1830. 13 June, 1833. 26 Sept., 1838. 2 Oct., 1849. 8 July, 1853. 3 Feb., 1821. 1 Nov., 1825. 12 Oct., 1838. 18 Sept., 1839. 12 Oct., 1838. 18 Sept., 1839.
13 Vict., No. 27 (27 Sept., 1849)	PACKET LICENSE. To retail fermented and spirituous liquors, during the time the vessel is actually on her passage do DISTILLING SPIRITS do RECTIFYING AND COMPOUNDING SPIRITS.. .. do APOTHECARY, CHEMIST, OR DRUGGIST, or any other person to use a still of not more than 8 gallons for any scientific purpose, or for making scent or perfume do To distil Brandy from Wine made in the Colony .. do Auctioneers', Distillation Licenses, &c., cease and determine on 31 December; Publicans' Licenses, &c., on 30 June in each year.	5 0 0 10 0 0 10 0 0 2 0 0 1 0 0	{ Act of Council } 13 Vict., No. 27 }	1 Oct., 1849.
*13 Vic., No. 26 (9 Oct., 1849).. *The 11th & 12th sections amended by Act of the Parliament of New South Wales, 26 Vict., No. 2.	HAWKER'S AND PEDLER'S. For trading on foot within a Police District .. Annually For trading by pack-horse or other animal, or by cart or other vehicle, or by a boat, vessel, or craft, within a Police District do Licenses may be granted on the first ordinary sitting day of any month.	1 0 0 2 0 0	{ Proclamation Act of Council 5 Wm. IV, No. 7 .. }	30 April, 1818. 25 July, 1834.
EXEMPTIONS.				
	Under the Act of Council 16 Vict., No. 4, sale of books pamphlets, periodicals, or other printed publications.			

Act of Council under which levied.	SPECIFICATION OF TAXES, DUTIES, &c.— <i>continued.</i>	Authority under which originally established.	At what Period.
LICENSES--<i>continued.</i>			
	PAWNBROKERS'.		
13 Vict., No. 37 (10 Oct., 1849).	For a Police District annually Licenses are in force for one year from the date thereof.	£ s. d. 10 0 0	{ Act of Council } 13 Vict., No. 37 } 10 Oct., 1849.
*6 Wm. IV, No. 2 (4 Aug., 1835).	STAGE CARRIAGE do. For a copy of such license do. Licenses cease and determine on 30 Sept. in each year.	0 5 0 0 1 0	{ Act of Council } 6 Wm. IV, No. 2 } 4 Aug., 1835.
4 Wm. IV, No. 7 (6 Aug., 1833).	PORTERS', SYDNEY do.	0 5 0	{ Act of Council } 4 Wm. IV, No. 7 } 6 Aug., 1833.
4 Vict., No. 17 (6 Oct., 1840).	BOATMEN do.	0 5 0	{ Act of Council } 4 Wm. IV, No. 7 } 6 Aug., 1833.
5 Wm. IV, No. 1 (4 July, 1834).	SLAUGHTERING CATTLE INTENDED FOR SALE .. do.	0 2 6	{ Government Order } { Act of Council } 11 Geo. IV, No. 4 .. } 12 May, 1811. 15 Mar., 1830.
* Repealed by Act 36 Vict., No. 14—so far as it is applicable to Stage Carriages, the licensed termini of which are brought within the Police District of Sydney.			
TONNAGE DUTY.			
14 Vict., No. 15 (19 Sept., 1850)	Per ton register, per diem	s. d. 0 0½	{ 8 Vict., No. 14 } { 7 Vict., No. 1 } 20 Dec., 1844. 8 Dec., 1843.
HUNTER RIVER—TONNAGE DUTY.			
Every ship or vessel entering the river Hunter from the sea, 6d. per ton of the registered tonnage of such ship or vessel.			
EXCEPTIONS.			
Acts of Council, 19 Vict., No. 25, (13 Nov., 1855.) 20 Vict., No. 12, duty not to be leviable before 1 January, 1858	Tonnage duty not required to be paid on account of any ship or vessel (except steamers navigating the river to ports above the port of Newcastle) at any time within four months next after a previous payment thereof on account of such ship or vessel, nor on account of steamers so navigating at any time within two months next after such previous payments on account of such steamers.		{ Act of Council } 19 Vict., No. 25 } 1 Jan., 1857.
KIAMA AND WOLLONGONG—TONNAGE DUTY.			
Acts of the Par- liament of New South Wales, 25 Vict., Nos. 5 & 6. (3 Dec., 1861).	Every ship or vessel entering the harbour of Kiama or Wollongong, 6d. per ton of the registered tonnage of such vessel. Such tonnage duty shall not be demanded or become payable before the 1st July, 1862.*		25 Vict., Nos. 5 & 6 } 3 Dec., 1861.
* By recent enactments (27 Victoria) such tonnage duty not to be demanded or become payable before 1st July, 1864.			
TOLLS.			
2 Wm. IV, No. 12 (9 March, 1832)	For every sheep, lamb, pig, or goat ox, or head of neat cattle horse, mare, gelding, ass, or mule cart, dray, or other such vehicle, with two wheels, drawn by 1 horse or other animal If drawn by 2 horses or ditto If drawn by 3 horses or ditto If drawn by 4 horses or ditto horse or other animal above 4, drawing a cart, dray, or other such vehicle, with two wheels wain, waggon, or other such carriage, with 4 wheels, drawn by 2 horses or other animals If drawn by 3 horses or ditto If drawn by 4 horses or ditto horse or other animal above 4, drawing a waggon or other such carriage with 4 wheels gig, chaise, or other such carriage on springs, with 2 wheels, drawn by 1 horse or other animal If drawn by 2 horses or other animals coach, chariot, or other such carriage, on springs, with 4 wheels, drawn by 1 horse or other animal If drawn by 2 horses or other animals If drawn by 3 horses or ditto If drawn by 4 horses or ditto	s. d. 0 0½ 0 1 0 2 0 3 0 4 0 5 0 6 0 1 0 8 0 9 0 10 0 2 0 6 0 9 0 9 1 0 1 3 1 6	Proclamation .. 30 Mar., 1811.
MEMO.—The Governor, by Proclamation, can increase or diminish the above rates, by section 5 of 14 Vict., No. 5.			

Act of Council under which levied.	SPECIFICATION OF TAXES, DUTIES, &c.— <i>continued</i> .	Authority under which originally established.	At what Period.																
2 Wm. IV. No. 12 (9 March, 1832)	FERRIES.																		
	<table border="0" style="width: 100%;"> <tr> <td style="width: 80%;">For every foot passenger</td> <td style="text-align: right;">s. d.</td> </tr> <tr> <td>horse, mare, gelding, ass, or mule, drawing or not drawing</td> <td style="text-align: right;">0 2</td> </tr> <tr> <td>gig, dray, or cart, with two wheels only</td> <td style="text-align: right;">0 6</td> </tr> <tr> <td>waggon, carriage, or other vehicle, with 4 wheels</td> <td style="text-align: right;">1 0</td> </tr> <tr> <td>ox, or head of neat cattle, drawing or not drawing,</td> <td style="text-align: right;">1 6</td> </tr> <tr> <td> being more than 10 in number</td> <td style="text-align: right;">0 3</td> </tr> <tr> <td> not exceeding 10</td> <td style="text-align: right;">0 4</td> </tr> <tr> <td>sheep, lamb, pig, or goat</td> <td style="text-align: right;">0 0½</td> </tr> </table>	For every foot passenger	s. d.	horse, mare, gelding, ass, or mule, drawing or not drawing	0 2	gig, dray, or cart, with two wheels only	0 6	waggon, carriage, or other vehicle, with 4 wheels	1 0	ox, or head of neat cattle, drawing or not drawing,	1 6	being more than 10 in number	0 3	not exceeding 10	0 4	sheep, lamb, pig, or goat	0 0½	Government Order	7 May, 1823.
	For every foot passenger	s. d.																	
	horse, mare, gelding, ass, or mule, drawing or not drawing	0 2																	
	gig, dray, or cart, with two wheels only	0 6																	
	waggon, carriage, or other vehicle, with 4 wheels	1 0																	
ox, or head of neat cattle, drawing or not drawing,	1 6																		
being more than 10 in number	0 3																		
not exceeding 10	0 4																		
sheep, lamb, pig, or goat	0 0½																		
MEMO. :—The Governor, by Proclamation, can increase or diminish the above charges, by Act 14 Vict., No. 5, section 5.																			
MARINE BOARD.																			
PILOTAGE AND LIGHT RATES.																			
PILOTAGE RATES. s. d.																			
<p>On arrival and departure per ton 0 4</p> <p>And one moiety of such rate in case a vessel being compelled to return into port after having put to sea; but in no case shall the amount of such rate be less than £2 10s. for the port of Sydney or Newcastle, nor less than £1 5s. for any other port of the Colony.</p>																			
HARBOR AND LIGHT RATES. s. d.																			
<p>Every registered ship, whether propelled by steam or otherwise (vessels employed in the whaling trade excepted), a half yearly rate of per ton 0 4</p> <p>Such payment exempts any ship from any further payment at any other port or place where tonnage dues are now or may hereafter be leviable.</p> <p>Such rates to be payable on or before 30 June and 31 December.</p> <p>No rate levied on any ship compelled to put into port by stress of weather, or to repair damages.</p>																			
HARBOUR REMOVAL DUES. £ s. d.																			
<table border="0" style="width: 100%;"> <tr> <td style="width: 80%;">For any ship not exceeding 300 tons</td> <td style="text-align: right;">1 0 0</td> </tr> <tr> <td>Exceeding 300 tons and not exceeding 400 tons</td> <td style="text-align: right;">1 5 0</td> </tr> <tr> <td> " 400 500</td> <td style="text-align: right;">1 10 0</td> </tr> <tr> <td> " 500 600</td> <td style="text-align: right;">1 15 0</td> </tr> <tr> <td> " 600 800</td> <td style="text-align: right;">2 0 0</td> </tr> <tr> <td> " 800 1,000</td> <td style="text-align: right;">2 10 0</td> </tr> <tr> <td> " 1,000 tons</td> <td style="text-align: right;">3 0 0</td> </tr> </table>	For any ship not exceeding 300 tons	1 0 0	Exceeding 300 tons and not exceeding 400 tons	1 5 0	" 400 500	1 10 0	" 500 600	1 15 0	" 600 800	2 0 0	" 800 1,000	2 10 0	" 1,000 tons	3 0 0					
For any ship not exceeding 300 tons	1 0 0																		
Exceeding 300 tons and not exceeding 400 tons	1 5 0																		
" 400 500	1 10 0																		
" 500 600	1 15 0																		
" 600 800	2 0 0																		
" 800 1,000	2 10 0																		
" 1,000 tons	3 0 0																		
Act of the Parliament of New South Wales, 35 Vic., No. 7..	FEEs FOR PILOTAGE CERTIFICATE.																		
	<table border="0" style="width: 100%;"> <tr> <td style="width: 80%;">Ships not exceeding 50 tons</td> <td style="text-align: right;">1 10 0</td> </tr> <tr> <td>Exceeding 50 tons and not exceeding 100 tons</td> <td style="text-align: right;">2 0 0</td> </tr> <tr> <td> " 100 150</td> <td style="text-align: right;">2 10 0</td> </tr> <tr> <td> " 150 200</td> <td style="text-align: right;">3 0 0</td> </tr> <tr> <td> " 200 300</td> <td style="text-align: right;">4 0 0</td> </tr> <tr> <td> Above 300 tons</td> <td style="text-align: right;">5 0 0</td> </tr> </table>	Ships not exceeding 50 tons	1 10 0	Exceeding 50 tons and not exceeding 100 tons	2 0 0	" 100 150	2 10 0	" 150 200	3 0 0	" 200 300	4 0 0	Above 300 tons	5 0 0	Proclamation .. Act of Council } 3 Wm. IV. } No. 6 } 16 Vict., No. 46 .. 22 Vict., No. 4 ..	6 Feb., 1819. 31 Aug., 1832. 28 Dec., 1852. 21 July, 1858.				
	Ships not exceeding 50 tons	1 10 0																	
	Exceeding 50 tons and not exceeding 100 tons	2 0 0																	
	" 100 150	2 10 0																	
	" 150 200	3 0 0																	
" 200 300	4 0 0																		
Above 300 tons	5 0 0																		
FEEs FOR CERTIFICATES OF SERVICE.																			
<table border="0" style="width: 100%;"> <tr> <td style="width: 80%;">For a master of a foreign-going ship</td> <td style="text-align: right;">2 0 0</td> </tr> <tr> <td> " of a coast-trade ship</td> <td style="text-align: right;">1 0 0</td> </tr> <tr> <td> " of a harbor and river steamer</td> <td style="text-align: right;">1 0 0</td> </tr> <tr> <td>For a mate of a foreign-going ship</td> <td style="text-align: right;">1 0 0</td> </tr> <tr> <td> " of a coast trade ship</td> <td style="text-align: right;">0 10 0</td> </tr> <tr> <td>For a first-class engineer's certificate</td> <td style="text-align: right;">1 10 0</td> </tr> <tr> <td>For a second-class engineer's certificate</td> <td style="text-align: right;">1 0 0</td> </tr> </table>	For a master of a foreign-going ship	2 0 0	" of a coast-trade ship	1 0 0	" of a harbor and river steamer	1 0 0	For a mate of a foreign-going ship	1 0 0	" of a coast trade ship	0 10 0	For a first-class engineer's certificate	1 10 0	For a second-class engineer's certificate	1 0 0					
For a master of a foreign-going ship	2 0 0																		
" of a coast-trade ship	1 0 0																		
" of a harbor and river steamer	1 0 0																		
For a mate of a foreign-going ship	1 0 0																		
" of a coast trade ship	0 10 0																		
For a first-class engineer's certificate	1 10 0																		
For a second-class engineer's certificate	1 0 0																		
FEEs FOR CERTIFICATES OF COMPETENCY.																			
<table border="0" style="width: 100%;"> <tr> <td style="width: 80%;">For a master of a foreign-going ship</td> <td style="text-align: right;">2 10 0</td> </tr> <tr> <td> " of a coast-trade ship</td> <td style="text-align: right;">1 10 0</td> </tr> <tr> <td> " of a harbor and river steamer</td> <td style="text-align: right;">1 10 0</td> </tr> <tr> <td>For a first mate of a foreign-going ship</td> <td style="text-align: right;">1 10 0</td> </tr> <tr> <td>For a second mate of a foreign-going ship, or mate of a coast trade ship</td> <td style="text-align: right;">1 0 0</td> </tr> <tr> <td>For a first-class engineer's certificate</td> <td style="text-align: right;">2 0 0</td> </tr> <tr> <td>For a second class</td> <td style="text-align: right;">1 10 0</td> </tr> <tr> <td>For a third class</td> <td style="text-align: right;">1 0 0</td> </tr> </table>	For a master of a foreign-going ship	2 10 0	" of a coast-trade ship	1 10 0	" of a harbor and river steamer	1 10 0	For a first mate of a foreign-going ship	1 10 0	For a second mate of a foreign-going ship, or mate of a coast trade ship	1 0 0	For a first-class engineer's certificate	2 0 0	For a second class	1 10 0	For a third class	1 0 0			
For a master of a foreign-going ship	2 10 0																		
" of a coast-trade ship	1 10 0																		
" of a harbor and river steamer	1 10 0																		
For a first mate of a foreign-going ship	1 10 0																		
For a second mate of a foreign-going ship, or mate of a coast trade ship	1 0 0																		
For a first-class engineer's certificate	2 0 0																		
For a second class	1 10 0																		
For a third class	1 0 0																		

Act of Council under which levied.	SPECIFICATION OF TAXES, DUTIES, &c.— <i>continued.</i>	Authority under which originally established.	At what Period.																																																																																																																																																																																				
Act of the Parliament of New South Wales, 35 Vict., No. 7	<p style="text-align: center;">MARINE BOARD—<i>continued.</i></p> <p style="text-align: center;">FEES FOR STEAM CERTIFICATES.</p> <table border="0" style="width: 100%;"> <tr> <td>Owners of steam-ships requiring certificates, as follows:—</td> <td style="text-align: right;">£</td> <td style="text-align: right;">s.</td> <td style="text-align: right;">d.</td> </tr> <tr> <td>Where the tonnage does not exceed 50 tons</td> <td style="text-align: right;">1</td> <td style="text-align: right;">0</td> <td style="text-align: right;">0</td> </tr> <tr> <td>Exceeding 50 tons and not exceeding 100 tons</td> <td style="text-align: right;">2</td> <td style="text-align: right;">0</td> <td style="text-align: right;">0</td> </tr> <tr> <td>.. 100 .. 300</td> <td style="text-align: right;">3</td> <td style="text-align: right;">0</td> <td style="text-align: right;">0</td> </tr> <tr> <td>Above 300 tons</td> <td style="text-align: right;">4</td> <td style="text-align: right;">0</td> <td style="text-align: right;">0</td> </tr> </table> <p>FEES for swinging of ships for the purpose of ascertaining and adjusting any deviation in their compasses:—</p> <table border="0" style="width: 100%;"> <tr> <td>For vessels under 500 tons register</td> <td style="text-align: right;">2</td> <td style="text-align: right;">0</td> <td style="text-align: right;">0</td> </tr> <tr> <td>For vessels over 500 tons and under 750 tons register...</td> <td style="text-align: right;">2</td> <td style="text-align: right;">10</td> <td style="text-align: right;">0</td> </tr> <tr> <td>For vessels over 750 tons register</td> <td style="text-align: right;">3</td> <td style="text-align: right;">0</td> <td style="text-align: right;">0</td> </tr> </table>	Owners of steam-ships requiring certificates, as follows:—	£	s.	d.	Where the tonnage does not exceed 50 tons	1	0	0	Exceeding 50 tons and not exceeding 100 tons	2	0	0	.. 100 .. 300	3	0	0	Above 300 tons	4	0	0	For vessels under 500 tons register	2	0	0	For vessels over 500 tons and under 750 tons register...	2	10	0	For vessels over 750 tons register	3	0	0	Proclamation .. Act of Council, 3 Wm. IV. No. 6 .. 16 Vict., No. 46 .. 22 Vict., No. 4 ..	6 Feb., 1819. 31 Aug., 1832. 28 Dec., 1852. 21 July, 1858.																																																																																																																																																				
	Owners of steam-ships requiring certificates, as follows:—	£	s.	d.																																																																																																																																																																																			
Where the tonnage does not exceed 50 tons	1	0	0																																																																																																																																																																																				
Exceeding 50 tons and not exceeding 100 tons	2	0	0																																																																																																																																																																																				
.. 100 .. 300	3	0	0																																																																																																																																																																																				
Above 300 tons	4	0	0																																																																																																																																																																																				
For vessels under 500 tons register	2	0	0																																																																																																																																																																																				
For vessels over 500 tons and under 750 tons register...	2	10	0																																																																																																																																																																																				
For vessels over 750 tons register	3	0	0																																																																																																																																																																																				
27 Vict., No. 13 (22 April, 1864)	<p style="text-align: center;">SHIPPING MASTERS, SYDNEY AND NEWCASTLE.</p> <table border="1" style="width: 100%; border-collapse: collapse;"> <thead> <tr> <th rowspan="2"></th> <th colspan="3">Engagement of Crews.</th> <th colspan="3">Discharge of Crews.</th> </tr> <tr> <th>£</th> <th>s.</th> <th>d.</th> <th>£</th> <th>s.</th> <th>d.</th> </tr> </thead> <tbody> <tr> <td>Vessels under 30 tons</td> <td>0</td> <td>2</td> <td>0</td> <td>0</td> <td>2</td> <td>0</td> </tr> <tr> <td>30 to 60</td> <td>0</td> <td>4</td> <td>0</td> <td>0</td> <td>4</td> <td>0</td> </tr> <tr> <td>60 to 100</td> <td>0</td> <td>7</td> <td>0</td> <td>0</td> <td>7</td> <td>0</td> </tr> <tr> <td>100 to 200</td> <td>0</td> <td>15</td> <td>0</td> <td>0</td> <td>15</td> <td>0</td> </tr> <tr> <td>200 to 300</td> <td>1</td> <td>0</td> <td>0</td> <td>1</td> <td>0</td> <td>0</td> </tr> <tr> <td>300 to 400</td> <td>1</td> <td>5</td> <td>0</td> <td>1</td> <td>5</td> <td>0</td> </tr> <tr> <td>400 to 500</td> <td>1</td> <td>10</td> <td>0</td> <td>1</td> <td>10</td> <td>0</td> </tr> <tr> <td>500 to 600</td> <td>1</td> <td>15</td> <td>0</td> <td>1</td> <td>15</td> <td>0</td> </tr> <tr> <td>600 to 700</td> <td>2</td> <td>0</td> <td>0</td> <td>2</td> <td>0</td> <td>0</td> </tr> <tr> <td>700 to 800</td> <td>2</td> <td>5</td> <td>0</td> <td>2</td> <td>5</td> <td>0</td> </tr> <tr> <td>800 to 900</td> <td>2</td> <td>10</td> <td>0</td> <td>2</td> <td>10</td> <td>0</td> </tr> <tr> <td>900 to 1,000</td> <td>2</td> <td>15</td> <td>0</td> <td>2</td> <td>15</td> <td>0</td> </tr> <tr> <td>Every 100 tons above 1,000</td> <td>0</td> <td>5</td> <td>0</td> <td>0</td> <td>5</td> <td>0</td> </tr> </tbody> </table> <table border="0" style="width: 100%;"> <tr> <td>Engagement of seamen, separately each</td> <td style="text-align: right;">0</td> <td style="text-align: right;">2</td> <td style="text-align: right;">0</td> </tr> <tr> <td>Discharge of ditto</td> <td style="text-align: right;">0</td> <td style="text-align: right;">2</td> <td style="text-align: right;">0</td> </tr> <tr> <td>Foreign-going ships' articles</td> <td style="text-align: right;">0</td> <td style="text-align: right;">2</td> <td style="text-align: right;">0</td> </tr> <tr> <td>Colonial ditto</td> <td style="text-align: right;">0</td> <td style="text-align: right;">1</td> <td style="text-align: right;">0</td> </tr> <tr> <td>Steamers ditto</td> <td style="text-align: right;">0</td> <td style="text-align: right;">2</td> <td style="text-align: right;">0</td> </tr> <tr> <td>Advance notes</td> <td style="text-align: right;">0</td> <td style="text-align: right;">0</td> <td style="text-align: right;">3</td> </tr> <tr> <td>Inward lists</td> <td style="text-align: right;">0</td> <td style="text-align: right;">0</td> <td style="text-align: right;">3</td> </tr> <tr> <td>Outward lists</td> <td style="text-align: right;">0</td> <td style="text-align: right;">0</td> <td style="text-align: right;">3</td> </tr> <tr> <td>Accounts of wages</td> <td style="text-align: right;">0</td> <td style="text-align: right;">0</td> <td style="text-align: right;">3</td> </tr> <tr> <td>Allotment of notes</td> <td style="text-align: right;">0</td> <td style="text-align: right;">0</td> <td style="text-align: right;">3</td> </tr> <tr> <td>Certificates of discharge</td> <td style="text-align: right;">0</td> <td style="text-align: right;">0</td> <td style="text-align: right;">3</td> </tr> <tr> <td>Mutual release</td> <td style="text-align: right;">0</td> <td style="text-align: right;">0</td> <td style="text-align: right;">3</td> </tr> <tr> <td>Account of changes in crew</td> <td style="text-align: right;">0</td> <td style="text-align: right;">1</td> <td style="text-align: right;">0</td> </tr> <tr> <td>License to ship</td> <td style="text-align: right;">0</td> <td style="text-align: right;">0</td> <td style="text-align: right;">3</td> </tr> <tr> <td>Submission to arbitration</td> <td style="text-align: right;">0</td> <td style="text-align: right;">0</td> <td style="text-align: right;">3</td> </tr> <tr> <td>Award by Shipping Master</td> <td style="text-align: right;">0</td> <td style="text-align: right;">0</td> <td style="text-align: right;">3</td> </tr> <tr> <td>Advance note adv. ces</td> <td style="text-align: right;">0</td> <td style="text-align: right;">0</td> <td style="text-align: right;">3</td> </tr> <tr> <td>Official Log Books</td> <td style="text-align: right;">0</td> <td style="text-align: right;">3</td> <td style="text-align: right;">6</td> </tr> <tr> <td>Reports of character</td> <td style="text-align: right;">0</td> <td style="text-align: right;">0</td> <td style="text-align: right;">3</td> </tr> </table>		Engagement of Crews.			Discharge of Crews.			£	s.	d.	£	s.	d.	Vessels under 30 tons	0	2	0	0	2	0	30 to 60	0	4	0	0	4	0	60 to 100	0	7	0	0	7	0	100 to 200	0	15	0	0	15	0	200 to 300	1	0	0	1	0	0	300 to 400	1	5	0	1	5	0	400 to 500	1	10	0	1	10	0	500 to 600	1	15	0	1	15	0	600 to 700	2	0	0	2	0	0	700 to 800	2	5	0	2	5	0	800 to 900	2	10	0	2	10	0	900 to 1,000	2	15	0	2	15	0	Every 100 tons above 1,000	0	5	0	0	5	0	Engagement of seamen, separately each	0	2	0	Discharge of ditto	0	2	0	Foreign-going ships' articles	0	2	0	Colonial ditto	0	1	0	Steamers ditto	0	2	0	Advance notes	0	0	3	Inward lists	0	0	3	Outward lists	0	0	3	Accounts of wages	0	0	3	Allotment of notes	0	0	3	Certificates of discharge	0	0	3	Mutual release	0	0	3	Account of changes in crew	0	1	0	License to ship	0	0	3	Submission to arbitration	0	0	3	Award by Shipping Master	0	0	3	Advance note adv. ces	0	0	3	Official Log Books	0	3	6	Reports of character	0	0	3	17 Vict., No. 36.	1 Jan., 1854.
			Engagement of Crews.			Discharge of Crews.																																																																																																																																																																																	
£		s.	d.	£	s.	d.																																																																																																																																																																																	
Vessels under 30 tons	0	2	0	0	2	0																																																																																																																																																																																	
30 to 60	0	4	0	0	4	0																																																																																																																																																																																	
60 to 100	0	7	0	0	7	0																																																																																																																																																																																	
100 to 200	0	15	0	0	15	0																																																																																																																																																																																	
200 to 300	1	0	0	1	0	0																																																																																																																																																																																	
300 to 400	1	5	0	1	5	0																																																																																																																																																																																	
400 to 500	1	10	0	1	10	0																																																																																																																																																																																	
500 to 600	1	15	0	1	15	0																																																																																																																																																																																	
600 to 700	2	0	0	2	0	0																																																																																																																																																																																	
700 to 800	2	5	0	2	5	0																																																																																																																																																																																	
800 to 900	2	10	0	2	10	0																																																																																																																																																																																	
900 to 1,000	2	15	0	2	15	0																																																																																																																																																																																	
Every 100 tons above 1,000	0	5	0	0	5	0																																																																																																																																																																																	
Engagement of seamen, separately each	0	2	0																																																																																																																																																																																				
Discharge of ditto	0	2	0																																																																																																																																																																																				
Foreign-going ships' articles	0	2	0																																																																																																																																																																																				
Colonial ditto	0	1	0																																																																																																																																																																																				
Steamers ditto	0	2	0																																																																																																																																																																																				
Advance notes	0	0	3																																																																																																																																																																																				
Inward lists	0	0	3																																																																																																																																																																																				
Outward lists	0	0	3																																																																																																																																																																																				
Accounts of wages	0	0	3																																																																																																																																																																																				
Allotment of notes	0	0	3																																																																																																																																																																																				
Certificates of discharge	0	0	3																																																																																																																																																																																				
Mutual release	0	0	3																																																																																																																																																																																				
Account of changes in crew	0	1	0																																																																																																																																																																																				
License to ship	0	0	3																																																																																																																																																																																				
Submission to arbitration	0	0	3																																																																																																																																																																																				
Award by Shipping Master	0	0	3																																																																																																																																																																																				
Advance note adv. ces	0	0	3																																																																																																																																																																																				
Official Log Books	0	3	6																																																																																																																																																																																				
Reports of character	0	0	3																																																																																																																																																																																				
Governor and Executive Council	<p style="text-align: center;">FITZ ROY DRY DOCK, COCKATOO ISLAND.</p> <p style="text-align: center;"><i>Conditions.</i></p> <p>All vessels belonging to H. M. Navy, the Colonial Government, and men-of-war of other nations, will be admitted to repair in the Fitz Roy Dock, Sydney Harbour, free of any dock dues or rates, but they will be required to repay all actual expenditure of stores, wages, and material.</p> <p>All other vessels will be liable to a minimum dock-rate of 6d. per ton per diem, if of 1,500 tons register or upwards, and an additional $\frac{1}{4}$th of a penny per ton for every decrease of 50 tons or portion of 50 tons down to a maximum rate of 9d. per ton for a vessel of 300 tons, and all below, as set forth in the scale attached hereto.</p> <p>Double rates will be charged for the day of docking.</p> <p>The Dock dues will include and cover the cost of pumping, shoring, wedges, and blocking, and the cost of all labour connected with opening and closing the Dock, and all incidental labour connected with the actual operation of docking a vessel.</p> <p>No vessel will be permitted to enter the Dock with gunpowder or combustible ammunition on board.</p> <p style="text-align: center;"><i>Workshops and Machinery.</i></p> <p>Vessels in Dock and private engineering establishments will be permitted to avail themselves of any portion of the machinery of the Dockyard workshops on payment of a rate per hour; preference being always given to the requirements of a vessel in Dock. These charges will be in addition to Dock dues, and in accordance with the rates mentioned in the subjoined Schedule.</p> <p>The rate for the machinery will include the cost of putting and maintaining the machine in motion, the use of the 20-ton overhead traversing crane, and all tools belonging to the Machine in use, but nothing further.</p>	Governor and Executive Council	30 Aug., 1861.																																																																																																																																																																																				

Act of Council under which levied.	SPECIFICATION OF TAXES, DUTIES, &c.— <i>continued.</i>	Authority under which originally established.	At what Period.																																																																																																																																																																		
FITZ ROY DRY DOCK, COCKATOO ISLAND—<i>contd.</i>																																																																																																																																																																					
DOCK DUES.																																																																																																																																																																					
<i>Scale of Charges.</i>																																																																																																																																																																					
Governor General and Executive Council ..	<table border="0"> <tr> <td></td> <td></td> <td></td> <td></td> <td></td> <td style="text-align: center;">Per ton per diem.</td> </tr> <tr> <td></td> <td></td> <td></td> <td></td> <td></td> <td style="text-align: center;">s. d.</td> </tr> <tr> <td>1,500 tons, and all above ..</td> <td>..</td> <td>..</td> <td>..</td> <td>..</td> <td style="text-align: center;">0 6</td> </tr> <tr> <td>1,450 tons, and under 1,500..</td> <td>..</td> <td>..</td> <td>..</td> <td>..</td> <td style="text-align: center;">0 6½</td> </tr> <tr> <td>1,400 " " 1,450..</td> <td>..</td> <td>..</td> <td>..</td> <td>..</td> <td style="text-align: center;">0 6¼</td> </tr> <tr> <td>1,350 " " 1,400..</td> <td>..</td> <td>..</td> <td>..</td> <td>..</td> <td style="text-align: center;">0 6½</td> </tr> <tr> <td>1,300 " " 1,350..</td> <td>..</td> <td>..</td> <td>..</td> <td>..</td> <td style="text-align: center;">0 6½</td> </tr> <tr> <td>1,250 " " 1,300..</td> <td>..</td> <td>..</td> <td>..</td> <td>..</td> <td style="text-align: center;">0 6¾</td> </tr> <tr> <td>1,200 " " 1,250..</td> <td>..</td> <td>..</td> <td>..</td> <td>..</td> <td style="text-align: center;">0 6¾</td> </tr> <tr> <td>1,150 " " 1,200..</td> <td>..</td> <td>..</td> <td>..</td> <td>..</td> <td style="text-align: center;">0 6¾</td> </tr> <tr> <td>1,100 " " 1,150..</td> <td>..</td> <td>..</td> <td>..</td> <td>..</td> <td style="text-align: center;">0 7</td> </tr> <tr> <td>1,050 " " 1,100..</td> <td>..</td> <td>..</td> <td>..</td> <td>..</td> <td style="text-align: center;">0 7¼</td> </tr> <tr> <td>1,000 " " 1,050..</td> <td>..</td> <td>..</td> <td>..</td> <td>..</td> <td style="text-align: center;">0 7¼</td> </tr> <tr> <td>950 " " 1,000..</td> <td>..</td> <td>..</td> <td>..</td> <td>..</td> <td style="text-align: center;">0 7½</td> </tr> <tr> <td>900 " " 950..</td> <td>..</td> <td>..</td> <td>..</td> <td>..</td> <td style="text-align: center;">0 7½</td> </tr> <tr> <td>850 " " 900..</td> <td>..</td> <td>..</td> <td>..</td> <td>..</td> <td style="text-align: center;">0 7¾</td> </tr> <tr> <td>800 " " 850..</td> <td>..</td> <td>..</td> <td>..</td> <td>..</td> <td style="text-align: center;">0 7¾</td> </tr> <tr> <td>750 " " 800..</td> <td>..</td> <td>..</td> <td>..</td> <td>..</td> <td style="text-align: center;">0 7¾</td> </tr> <tr> <td>700 " " 750..</td> <td>..</td> <td>..</td> <td>..</td> <td>..</td> <td style="text-align: center;">0 8</td> </tr> <tr> <td>650 " " 700..</td> <td>..</td> <td>..</td> <td>..</td> <td>..</td> <td style="text-align: center;">0 8½</td> </tr> <tr> <td>600 " " 650..</td> <td>..</td> <td>..</td> <td>..</td> <td>..</td> <td style="text-align: center;">0 8½</td> </tr> <tr> <td>550 " " 600..</td> <td>..</td> <td>..</td> <td>..</td> <td>..</td> <td style="text-align: center;">0 8¾</td> </tr> <tr> <td>500 " " 550..</td> <td>..</td> <td>..</td> <td>..</td> <td>..</td> <td style="text-align: center;">0 8¾</td> </tr> <tr> <td>450 " " 500..</td> <td>..</td> <td>..</td> <td>..</td> <td>..</td> <td style="text-align: center;">0 8¾</td> </tr> <tr> <td>400 " " 450..</td> <td>..</td> <td>..</td> <td>..</td> <td>..</td> <td style="text-align: center;">0 8¾</td> </tr> <tr> <td>350 " " 400..</td> <td>..</td> <td>..</td> <td>..</td> <td>..</td> <td style="text-align: center;">0 8¾</td> </tr> <tr> <td>300 " " 350..</td> <td>..</td> <td>..</td> <td>..</td> <td>..</td> <td style="text-align: center;">0 9</td> </tr> </table>						Per ton per diem.						s. d.	1,500 tons, and all above	0 6	1,450 tons, and under 1,500..	0 6½	1,400 " " 1,450..	0 6¼	1,350 " " 1,400..	0 6½	1,300 " " 1,350..	0 6½	1,250 " " 1,300..	0 6¾	1,200 " " 1,250..	0 6¾	1,150 " " 1,200..	0 6¾	1,100 " " 1,150..	0 7	1,050 " " 1,100..	0 7¼	1,000 " " 1,050..	0 7¼	950 " " 1,000..	0 7½	900 " " 950..	0 7½	850 " " 900..	0 7¾	800 " " 850..	0 7¾	750 " " 800..	0 7¾	700 " " 750..	0 8	650 " " 700..	0 8½	600 " " 650..	0 8½	550 " " 600..	0 8¾	500 " " 550..	0 8¾	450 " " 500..	0 8¾	400 " " 450..	0 8¾	350 " " 400..	0 8¾	300 " " 350..	0 9	Governor General and Executive Council ..	30 Aug., 1861.
						Per ton per diem.																																																																																																																																																															
						s. d.																																																																																																																																																															
	1,500 tons, and all above	0 6																																																																																																																																																															
	1,450 tons, and under 1,500..	0 6½																																																																																																																																																															
	1,400 " " 1,450..	0 6¼																																																																																																																																																															
	1,350 " " 1,400..	0 6½																																																																																																																																																															
	1,300 " " 1,350..	0 6½																																																																																																																																																															
	1,250 " " 1,300..	0 6¾																																																																																																																																																															
	1,200 " " 1,250..	0 6¾																																																																																																																																																															
	1,150 " " 1,200..	0 6¾																																																																																																																																																															
	1,100 " " 1,150..	0 7																																																																																																																																																															
	1,050 " " 1,100..	0 7¼																																																																																																																																																															
	1,000 " " 1,050..	0 7¼																																																																																																																																																															
	950 " " 1,000..	0 7½																																																																																																																																																															
	900 " " 950..	0 7½																																																																																																																																																															
	850 " " 900..	0 7¾																																																																																																																																																															
	800 " " 850..	0 7¾																																																																																																																																																															
	750 " " 800..	0 7¾																																																																																																																																																															
	700 " " 750..	0 8																																																																																																																																																															
650 " " 700..	0 8½																																																																																																																																																																
600 " " 650..	0 8½																																																																																																																																																																
550 " " 600..	0 8¾																																																																																																																																																																
500 " " 550..	0 8¾																																																																																																																																																																
450 " " 500..	0 8¾																																																																																																																																																																
400 " " 450..	0 8¾																																																																																																																																																																
350 " " 400..	0 8¾																																																																																																																																																																
300 " " 350..	0 9																																																																																																																																																																
Per hour, or fractional part of an hour.																																																																																																																																																																					
<i>Schedule of Rates for the use of Machinery.</i>																																																																																																																																																																					
31 Vict., No. 4.	<table border="0"> <tr> <td></td> <td></td> <td></td> <td></td> <td></td> <td style="text-align: center;">s. d.</td> </tr> <tr> <td>5 foot centre lathe ..</td> <td>..</td> <td>..</td> <td>..</td> <td>..</td> <td style="text-align: center;">5 0</td> </tr> <tr> <td>9 x 9 x 21 planing machine ..</td> <td>..</td> <td>..</td> <td>..</td> <td>..</td> <td style="text-align: center;">5 0</td> </tr> <tr> <td>4 x 4 x 11 do. ..</td> <td>..</td> <td>..</td> <td>..</td> <td>..</td> <td style="text-align: center;">2 6</td> </tr> <tr> <td>18-inch centre break lathe ..</td> <td>..</td> <td>..</td> <td>..</td> <td>..</td> <td style="text-align: center;">3 6</td> </tr> <tr> <td>12-inch centre lathe ..</td> <td>..</td> <td>..</td> <td>..</td> <td>..</td> <td style="text-align: center;">2 6</td> </tr> <tr> <td>Slotting machine ..</td> <td>..</td> <td>..</td> <td>..</td> <td>..</td> <td style="text-align: center;">3 0</td> </tr> <tr> <td>Vertical boring machine ..</td> <td>..</td> <td>..</td> <td>..</td> <td>..</td> <td style="text-align: center;">2 6</td> </tr> <tr> <td>Boring mill ..</td> <td>..</td> <td>..</td> <td>..</td> <td>..</td> <td style="text-align: center;">2 0</td> </tr> <tr> <td>Small vertical drill ..</td> <td>..</td> <td>..</td> <td>..</td> <td>..</td> <td style="text-align: center;">1 0</td> </tr> <tr> <td>Punching and shearing machine ..</td> <td>..</td> <td>..</td> <td>..</td> <td>..</td> <td style="text-align: center;">3 0</td> </tr> <tr> <td>40-cwt. Nasmyth's hammer ..</td> <td>..</td> <td>..</td> <td>..</td> <td>..</td> <td style="text-align: center;">10 0</td> </tr> <tr> <td>5-cwt. do. ..</td> <td>..</td> <td>..</td> <td>..</td> <td>..</td> <td style="text-align: center;">4 0</td> </tr> <tr> <td>25-ton jib crane ..</td> <td>..</td> <td>..</td> <td>..</td> <td>..</td> <td style="text-align: center;">1 0</td> </tr> </table>						s. d.	5 foot centre lathe	5 0	9 x 9 x 21 planing machine	5 0	4 x 4 x 11 do.	2 6	18-inch centre break lathe	3 6	12-inch centre lathe	2 6	Slotting machine	3 0	Vertical boring machine	2 6	Boring mill	2 0	Small vertical drill	1 0	Punching and shearing machine	3 0	40-cwt. Nasmyth's hammer	10 0	5-cwt. do.	4 0	25-ton jib crane	1 0	<table border="0"> <tr> <td>In addition to cost of lathe.</td> <td></td> </tr> <tr> <td>Does not include furnace fuel.</td> <td></td> </tr> <tr> <td>Per ton per hour or part of an hour.</td> <td></td> </tr> </table>	In addition to cost of lathe.		Does not include furnace fuel.		Per ton per hour or part of an hour.		<table border="0"> <tr> <td>Govt. Order ..</td> <td>23 June, 1810.</td> </tr> <tr> <td>Proclamation under Act of Council, 6 Geo. IV, No. 23 ..</td> <td>6 Dec., 1825.</td> </tr> <tr> <td>Acts of Council—</td> <td></td> </tr> <tr> <td>5 Wm. IV, No. 24 ..</td> <td>23 June, 1835.</td> </tr> <tr> <td>2 Vict., No. 17 ..</td> <td>25 Sept., 1838.</td> </tr> <tr> <td>5 Vict., No. 15 ..</td> <td>14 Dec., 1841.</td> </tr> <tr> <td>11 Vict., No. 47..</td> <td>15 June, 1848.</td> </tr> <tr> <td>13 Vict., No. 38..</td> <td>1 Jan., 1850.</td> </tr> <tr> <td>15 Vict., No. 12..</td> <td>22 Dec., 1851.</td> </tr> <tr> <td>16 Vict., No. 35..</td> <td>27 Dec., 1852.</td> </tr> <tr> <td>18 Vict., No. 17..</td> <td>30 Sept., 1854.</td> </tr> <tr> <td>20 Vict., No. 26..</td> <td>11 Mar., 1857.</td> </tr> <tr> <td>27 Vict., No. 7 ..</td> <td>1 April, 1874.</td> </tr> </table>	Govt. Order ..	23 June, 1810.	Proclamation under Act of Council, 6 Geo. IV, No. 23 ..	6 Dec., 1825.	Acts of Council—		5 Wm. IV, No. 24 ..	23 June, 1835.	2 Vict., No. 17 ..	25 Sept., 1838.	5 Vict., No. 15 ..	14 Dec., 1841.	11 Vict., No. 47..	15 June, 1848.	13 Vict., No. 38..	1 Jan., 1850.	15 Vict., No. 12..	22 Dec., 1851.	16 Vict., No. 35..	27 Dec., 1852.	18 Vict., No. 17..	30 Sept., 1854.	20 Vict., No. 26..	11 Mar., 1857.	27 Vict., No. 7 ..	1 April, 1874.																																														
						s. d.																																																																																																																																																															
	5 foot centre lathe	5 0																																																																																																																																																															
	9 x 9 x 21 planing machine	5 0																																																																																																																																																															
	4 x 4 x 11 do.	2 6																																																																																																																																																															
	18-inch centre break lathe	3 6																																																																																																																																																															
	12-inch centre lathe	2 6																																																																																																																																																															
	Slotting machine	3 0																																																																																																																																																															
	Vertical boring machine	2 6																																																																																																																																																															
	Boring mill	2 0																																																																																																																																																															
	Small vertical drill	1 0																																																																																																																																																															
	Punching and shearing machine	3 0																																																																																																																																																															
40-cwt. Nasmyth's hammer	10 0																																																																																																																																																																
5-cwt. do.	4 0																																																																																																																																																																
25-ton jib crane	1 0																																																																																																																																																																
In addition to cost of lathe.																																																																																																																																																																					
Does not include furnace fuel.																																																																																																																																																																					
Per ton per hour or part of an hour.																																																																																																																																																																					
Govt. Order ..	23 June, 1810.																																																																																																																																																																				
Proclamation under Act of Council, 6 Geo. IV, No. 23 ..	6 Dec., 1825.																																																																																																																																																																				
Acts of Council—																																																																																																																																																																					
5 Wm. IV, No. 24 ..	23 June, 1835.																																																																																																																																																																				
2 Vict., No. 17 ..	25 Sept., 1838.																																																																																																																																																																				
5 Vict., No. 15 ..	14 Dec., 1841.																																																																																																																																																																				
11 Vict., No. 47..	15 June, 1848.																																																																																																																																																																				
13 Vict., No. 38..	1 Jan., 1850.																																																																																																																																																																				
15 Vict., No. 12..	22 Dec., 1851.																																																																																																																																																																				
16 Vict., No. 35..	27 Dec., 1852.																																																																																																																																																																				
18 Vict., No. 17..	30 Sept., 1854.																																																																																																																																																																				
20 Vict., No. 26..	11 Mar., 1857.																																																																																																																																																																				
27 Vict., No. 7 ..	1 April, 1874.																																																																																																																																																																				
<p>NOTE.—The Dock has from 19 to 20 feet of water over the Caisson-sill at high-water, and is now capable of taking in a vessel of 350 feet overall, and when completed, 400.</p>																																																																																																																																																																					
POSTAGE RATES.																																																																																																																																																																					
<i>Letters.</i>																																																																																																																																																																					
31 Vict., No. 4.	<table border="0"> <tr> <td></td> <td></td> <td></td> <td></td> <td></td> <td style="text-align: center;">s. d.</td> </tr> <tr> <td>Town ..</td> <td>..</td> <td>..</td> <td>..</td> <td>per half ounce</td> <td style="text-align: center;">0 1</td> </tr> <tr> <td>Inland ..</td> <td>..</td> <td>..</td> <td>..</td> <td>..</td> <td style="text-align: center;">0 2</td> </tr> <tr> <td>Intercolonial, viz. :—</td> <td></td> <td></td> <td></td> <td>..</td> <td></td> </tr> <tr> <td>Victoria—by sea or overland ..</td> <td>..</td> <td>..</td> <td>..</td> <td>..</td> <td style="text-align: center;">0 2</td> </tr> <tr> <td>Queensland—by sea or overland ..</td> <td>..</td> <td>..</td> <td>..</td> <td>..</td> <td style="text-align: center;">0 2</td> </tr> <tr> <td>South Australia—by sea or overland ..</td> <td>..</td> <td>..</td> <td>..</td> <td>..</td> <td style="text-align: center;">0 2</td> </tr> <tr> <td>Tasmania ..</td> <td>..</td> <td>..</td> <td>..</td> <td>..</td> <td style="text-align: center;">0 2</td> </tr> <tr> <td>Western Australia ..</td> <td>..</td> <td>..</td> <td>..</td> <td>..</td> <td style="text-align: center;">0 2</td> </tr> <tr> <td>New Zealand ..</td> <td>..</td> <td>..</td> <td>..</td> <td>..</td> <td style="text-align: center;">0 2</td> </tr> <tr> <td>Fiji ..</td> <td>..</td> <td>..</td> <td>..</td> <td>..</td> <td style="text-align: center;">0 2</td> </tr> <tr> <td>British Colonies not mentioned above, the United Kingdom, and Foreign Countries ..</td> <td>..</td> <td>..</td> <td>..</td> <td>..</td> <td style="text-align: center;">0 6</td> </tr> </table>						s. d.	Town	per half ounce	0 1	Inland	0 2	Intercolonial, viz. :—				..		Victoria—by sea or overland	0 2	Queensland—by sea or overland	0 2	South Australia—by sea or overland	0 2	Tasmania	0 2	Western Australia	0 2	New Zealand	0 2	Fiji	0 2	British Colonies not mentioned above, the United Kingdom, and Foreign Countries	0 6	<table border="0"> <tr> <td>Govt. Order ..</td> <td>23 June, 1810.</td> </tr> <tr> <td>Proclamation under Act of Council, 6 Geo. IV, No. 23 ..</td> <td>6 Dec., 1825.</td> </tr> <tr> <td>Acts of Council—</td> <td></td> </tr> <tr> <td>5 Wm. IV, No. 24 ..</td> <td>23 June, 1835.</td> </tr> <tr> <td>2 Vict., No. 17 ..</td> <td>25 Sept., 1838.</td> </tr> <tr> <td>5 Vict., No. 15 ..</td> <td>14 Dec., 1841.</td> </tr> <tr> <td>11 Vict., No. 47..</td> <td>15 June, 1848.</td> </tr> <tr> <td>13 Vict., No. 38..</td> <td>1 Jan., 1850.</td> </tr> <tr> <td>15 Vict., No. 12..</td> <td>22 Dec., 1851.</td> </tr> <tr> <td>16 Vict., No. 35..</td> <td>27 Dec., 1852.</td> </tr> <tr> <td>18 Vict., No. 17..</td> <td>30 Sept., 1854.</td> </tr> <tr> <td>20 Vict., No. 26..</td> <td>11 Mar., 1857.</td> </tr> <tr> <td>27 Vict., No. 7 ..</td> <td>1 April, 1874.</td> </tr> </table>	Govt. Order ..	23 June, 1810.	Proclamation under Act of Council, 6 Geo. IV, No. 23 ..	6 Dec., 1825.	Acts of Council—		5 Wm. IV, No. 24 ..	23 June, 1835.	2 Vict., No. 17 ..	25 Sept., 1838.	5 Vict., No. 15 ..	14 Dec., 1841.	11 Vict., No. 47..	15 June, 1848.	13 Vict., No. 38..	1 Jan., 1850.	15 Vict., No. 12..	22 Dec., 1851.	16 Vict., No. 35..	27 Dec., 1852.	18 Vict., No. 17..	30 Sept., 1854.	20 Vict., No. 26..	11 Mar., 1857.	27 Vict., No. 7 ..	1 April, 1874.																																																																	
						s. d.																																																																																																																																																															
	Town	per half ounce	0 1																																																																																																																																																															
	Inland	0 2																																																																																																																																																															
	Intercolonial, viz. :—				..																																																																																																																																																																
	Victoria—by sea or overland	0 2																																																																																																																																																															
	Queensland—by sea or overland	0 2																																																																																																																																																															
	South Australia—by sea or overland	0 2																																																																																																																																																															
	Tasmania	0 2																																																																																																																																																															
	Western Australia	0 2																																																																																																																																																															
	New Zealand	0 2																																																																																																																																																															
	Fiji	0 2																																																																																																																																																															
British Colonies not mentioned above, the United Kingdom, and Foreign Countries	0 6																																																																																																																																																																
Govt. Order ..	23 June, 1810.																																																																																																																																																																				
Proclamation under Act of Council, 6 Geo. IV, No. 23 ..	6 Dec., 1825.																																																																																																																																																																				
Acts of Council—																																																																																																																																																																					
5 Wm. IV, No. 24 ..	23 June, 1835.																																																																																																																																																																				
2 Vict., No. 17 ..	25 Sept., 1838.																																																																																																																																																																				
5 Vict., No. 15 ..	14 Dec., 1841.																																																																																																																																																																				
11 Vict., No. 47..	15 June, 1848.																																																																																																																																																																				
13 Vict., No. 38..	1 Jan., 1850.																																																																																																																																																																				
15 Vict., No. 12..	22 Dec., 1851.																																																																																																																																																																				
16 Vict., No. 35..	27 Dec., 1852.																																																																																																																																																																				
18 Vict., No. 17..	30 Sept., 1854.																																																																																																																																																																				
20 Vict., No. 26..	11 Mar., 1857.																																																																																																																																																																				
27 Vict., No. 7 ..	1 April, 1874.																																																																																																																																																																				
<i>Seamen's and Soldiers' Letters.</i>																																																																																																																																																																					
31 Vict., No. 4.	<p>Letters sent to or by Seamen and Soldiers in Her Majesty's Service, transmitted within the Colony, and between the Colony and any Post Office in the British Dominions, not exceeding ½ an ounce, and the postage prepaid ..</p>	0 1																																																																																																																																																																			

Act of Council under which levied.	SPECIFICATION OF TAXES, DUTIES, &c.— <i>continued.</i>	Authority under which originally established.	At what Period.	
<p>POSTAGE RATES—<i>continued.</i></p>				
<p>BOOK-PACKETS, PATTERNS, AND SAMPLES OF MERCHANDISE.</p>				
<p><i>Town and Country.</i></p>				
<p>31 Vic. No. 4</p>	<p>Not exceeding 2 ounces 0 1 Every additional 2 ounces 0 1</p>	<p>s. d. 0 1 0 1</p>		
	<p><i>Intercolonial, viz. :—</i></p>			
	<p>Victoria } South Australia } Not exceeding 1 ounce .. 0 1 Tasmania } " 2 ounces .. 0 2 Western Australia } " 4 " .. 0 4 New Zealand } Every additional 4 " .. 0 4 Queensland } Fiji }</p>	<p>0 1 0 2 0 4 0 4</p>		
	<p>British Colonies not mentioned above, the United Kingdom, and Foreign Countries to which books, packets, patterns, and samples of merchandise can be sent } Not exceeding 1 " .. 0 1 " 2 " .. 0 2 " 4 " .. 0 4 Every additional 4 " .. 0 4</p>	<p>0 1 0 2 0 4 0 4</p>	<p>Govt. Order .. 23 June, 1810. Proclamation under Act of Council, 6 Geo. IV, No. 23 .. 6 Dec., 1825.</p>	
	<p><i>Reports published by Religious and Charitable or Scientific Institutions existing in the Colony, for delivery within the Colony.</i></p>			
	<p>Not exceeding 4 ounces 0 1 Every additional 2 ounces or fraction of 2 ounces 0 1</p>	<p>0 1 0 1</p>	<p>Acts of Council,— 5 Wm. IV, No. 24 .. 23 June, 1835. 2 Vict., No. 17 .. 25 Sept., 1838. 5 Vict., No. 15 .. 14 Dec., 1841. 11 Vict., No. 47 .. 15 June, 1848. 13 Vict., No. 38 .. 1 Jan., 1850. 15 Vict., No. 12 .. 22 Dec., 1851. 16 Vict., No. 35 .. 27 Dec., 1852. 18 Vict., No. 17 .. 30 Sept., 1854. 20 Vict., No. 26 .. 11 Mar., 1857. 27 Vict., No. 7 .. 1 April, 1864. 31 Vict., No. 4 .. 9 Oct., 1867. 37 Vict., No. 1 .. 1 Jan., 1874.</p>	
	<p>NEWSPAPERS.</p>			
	<p>37 Vic., No. 1</p>	<p>Newspapers printed and posted within the Colony for transmission within New South Wales or the Australasian Colonies are transmitted free of charge, except in the case of Newspapers posted at any Post Office or Receiver in Sydney, for delivery within the boundaries of the City, and Newspapers posted after seven days from the date of publication, which are subject to a charge of one penny each 0 1 Newspapers for the United Kingdom, Foreign Countries, and British Colonies other than the Australasian Colonies 0 1</p>	<p>0 1 0 1</p>	
	<p>FEEs.</p>			
	<p>37 Vic., No. 4</p>	<p>Private Boxes, per annum each 21 0 Fee on Registered Letters 0 4 " Late 0 3</p>	<p>21 0 0 4 0 3</p>	
<p>MONEY ORDERS.</p>				
<p>COMMISSION FOR ISSUING MONEY ORDERS.</p>				
<p><i>In the Colony.</i></p>				
<p>1 Jan., 1863</p>	<p>For sums not exceeding £5 0 6 For sums exceeding £5, and not exceeding £10 1 0</p>	<p>s. d. 0 6 1 0</p>	<p>1 Jan., 1863.</p>	
<p><i>Intercolonial.</i></p>				
<p>8 Apl., 1863</p>	<p>For sums not exceeding £5 1 0 For sums exceeding £5, and not exceeding £10 2 0</p>	<p>1 0 2 0</p>	<p>8 April, 1863.</p>	
<p><i>United Kingdom.</i></p>				
<p>1 June 1863</p>	<p>For sums not exceeding £2 1 0 For sums exceeding £2, and not exceeding £5 2 0 For sums exceeding £5, and not exceeding £7 3 0 For sums exceeding £7, and not exceeding £10 4 0</p>	<p>1 0 2 0 3 0 4 0</p>	<p>1 June, 1863.</p>	
<p>Governor & Executive Council, under Act 31 Victoria, No. 4</p>		<p>Governor and Executive Council (under Act 31 Vict., No. 4)</p>		

Act of Council under which levied.	SPECIFICATION OF TAXES, DUTIES, &c.—continued.	Authority under which originally established.	At what Period.
ELECTRIC TELEGRAPH.			
NEW SOUTH WALES.			
		Ten words.	Each additional word.
		s. d.	s. d.
The Governor and Executive Council, 1 Nov., 1873, under Act 20 Vict., No. 41	Between all Stations in New South Wales, excepting Suburban Offices	1 0	0 1
	Between Sydney and Suburban Offices	0 6	0 1
	Press Rates:—		
	Between all Stations in New South Wales, half the above rates.		
	Between all Stations in New South Wales, Victoria Queensland, and South Australia	1 0	0 1
	Intercolonial Rates:—		
	From all Stations in New South Wales to—		
	Victoria	2 0	0 2
	South Australia (excepting Overland Line Stations)	2 0	0 2
	Queensland	2 0	0 2
	Tasmania—		
	Between all Stations in New South Wales and Tasmania	7 0
	Each additional word—		
	Per Land Lines	0 3
	Per Cable, five words or any portion of five words	2 0
SOUTH AUSTRALIAN OVERLAND LINE.			
From all Stations in New South Wales to—			
Strangways Springs	4 0	0 4	
Peake	4 0	0 4	
Charlotte Waters	6 0	0 6	
Alice Springs	7 0	0 7	
Barrow's Creek	8 0	0 8	
Teunant's Creek	9 0	0 9	
Powell's Creek	10 0	0 10	
Daly Waters	11 0	0 11	
Katherine	12 0	0 11	
Port Darwin	12 0	0 11	
Pine Creek	12 0	0 11	
Yam Creek	12 0	0 11	
Southport	12 0	0 11	
WESTERN AUSTRALIA.			
Between all Stations in New South Wales and Western Australia	3 0	0 3	
NEW ZEALAND.			
From Sydney	9 0	0 10½	
„ any other Station in New South Wales	9 6	0 11	
Act 20 Vict., No. 41			Act 20 Vict., No. 41. Govt. Order .. } 18 Dec., 1865.
BRITISH AND FOREIGN BUSINESS.			
		Price per word.	
		s. d.	
From any Station in New South Wales to places situated in the following Countries:—			
Aden		10 3	
Algeria and Tunis		10 8	
China—Hong Kong		8 4	
„ Amoy		10 0	
„ Shanghai		10 0	
„ Cochin China		7 1	
Egypt		11 6	
Europe		10 8	
India—West of Chittagong		8 0	
„ East		8 3	
„ Ceylon		8 3	
Japan—Nagasaki		11 8	
Java		4 5	
Penang		5 10	
Persia, via Persian Gulf		10 1	
Russia in Asia		11 8	
Singapore		5 10	
Turkey in Asia—Seaports		9 5	
„ Inland		9 8	
„ Archipelago		9 11	
Europe, via Hong Kong and Amoor		16 8	

Act of Council under which levied.	SPECIFICATION OF TAXES, DUTIES, &c.— <i>continued.</i>	Authority under which originally established.	At what Period.
	ELECTRIC TELEGRAPH—<i>continued.</i>		
	THE UNITED STATES OF AMERICA.		
		Price per word.	
		s. d.	
	To places situated in the following States :—		
	Alabama	14	4
	Arizona	14	6
	Arkansas	14	6
	California	14	6
	Canada, East and West	13	8
	Cape Breton	13	8
	Colorado Territory	14	6
	Columbia, District of	13	10
	Columbia, British	14	2
	Connecticut	13	8
	Dakota Territory	14	6
	Delaware	13	10
	Florida—Lake City	14	4
	" Pensacola	14	6
	" St. Mark's	14	4
	" Talahassee	14	4
	" All other places	14	2
	Georgia	14	4
	Idaho Territory	14	6
	Illinois	14	4
	Indiana	14	4
	Indian Territory	14	6
	Iowa	14	6
	Kansas Territory	14	6
	Kentucky	14	4
	Louisiana	14	4
	Maine	13	8
	Manitoba Territory	14	6
	Maryland	13	10
	Massachusetts	13	8
Act 20 Vict., No. 41	Michigan	14	4
	Minnesota	14	6
	Mississippi	14	4
	Missouri—St. Louis	14	4
	" All other places	14	6
	Montana Territory	14	6
	Nebraska Territory	14	6
	Nevada Territory	14	6
	New Brunswick	13	8
	Newfoundland	13	8
	New Hampshire	13	8
	New Jersey	13	10
	New Mexico	14	6
	New York—New York	13	8
	" All other places	13	10
	North Carolina	14	4
	Nova Scotia	13	8
	Ohio	14	4
	Oregon	14	6
	Pennsylvania	13	10
	Prince Edward's Island	13	8
	Rhode Island	13	8
	St. Pierre, Miquelon	13	8
	South Carolina	14	4
	Tennessee	14	4
	Texas	14	6
	Utah Territory	14	6
	Vancouver's Island	14	2
	Vermont	13	8
	Virginia	14	4
	Washington Territory	14	6
	Winconsin	14	4
	Wyoming	14	6
		20 Vict., No. 41. Govt. Order.	18 Dec., 1865.

Act of Council under which levied.	SPECIFICATION OF TAXES, DUTIES, &c.— <i>continued.</i>	Authority under which originally established.	At what Period.																																																																											
	<p>ELECTRIC TELEGRAPH—<i>continued.</i></p> <p>THE UNITED STATES OF AMERICA—<i>continued.</i></p> <p>The Telegraph Companies to the Island of Cuba and the West Indies have not yet adopted the word system of charging. The charge therefore will be the rate to New York, plus the following :—</p> <table border="1" style="width: 100%; border-collapse: collapse;"> <thead> <tr> <th></th> <th style="text-align: center;">Ten words or less.</th> <th style="text-align: center;">Each additional word.</th> </tr> <tr> <th></th> <th style="text-align: center;">£ s. d.</th> <th style="text-align: center;">s. d.</th> </tr> </thead> <tbody> <tr> <td>From New York to places situated in West India Islands, &c.—</td> <td></td> <td></td> </tr> <tr> <td>Antigua</td> <td style="text-align: right;">2 14 8</td> <td style="text-align: right;">5 2</td> </tr> <tr> <td>Barbadoes</td> <td style="text-align: right;">3 3 6</td> <td style="text-align: right;">6 2</td> </tr> <tr> <td>Berbice</td> <td style="text-align: right;">3 13 3</td> <td style="text-align: right;">7 1</td> </tr> <tr> <td>Colon (Aspinall) Isthmus of Panama</td> <td style="text-align: right;">2 13 9</td> <td style="text-align: right;">5 0</td> </tr> <tr> <td>Cuba—</td> <td></td> <td></td> </tr> <tr> <td> Cienfuegos</td> <td style="text-align: right;">1 5 0</td> <td style="text-align: right;">2 1</td> </tr> <tr> <td> Santiago</td> <td style="text-align: right;">1 11 0</td> <td style="text-align: right;">2 6</td> </tr> <tr> <td> All other places</td> <td style="text-align: right;">1 2 6</td> <td style="text-align: right;">2 0</td> </tr> <tr> <td>Demerara</td> <td style="text-align: right;">3 12 3</td> <td style="text-align: right;">7 1</td> </tr> <tr> <td>Dominica</td> <td style="text-align: right;">2 17 9</td> <td style="text-align: right;">5 6</td> </tr> <tr> <td>Grenada</td> <td style="text-align: right;">3 3 0</td> <td style="text-align: right;">6 0</td> </tr> <tr> <td>Guadaloupe</td> <td style="text-align: right;">2 16 3</td> <td style="text-align: right;">5 4</td> </tr> <tr> <td>Jamaica</td> <td style="text-align: right;">1 12 0</td> <td style="text-align: right;">3 0</td> </tr> <tr> <td>Martinique</td> <td style="text-align: right;">2 18 9</td> <td style="text-align: right;">5 8</td> </tr> <tr> <td>Panama—Isthmus of</td> <td style="text-align: right;">3 2 0</td> <td style="text-align: right;">5 11</td> </tr> <tr> <td>Porto Rico</td> <td style="text-align: right;">2 8 6</td> <td style="text-align: right;">4 7</td> </tr> <tr> <td>St. Croix</td> <td style="text-align: right;">2 11 10</td> <td style="text-align: right;">4 10</td> </tr> <tr> <td>St. Kitt's</td> <td style="text-align: right;">2 13 9</td> <td style="text-align: right;">5 0</td> </tr> <tr> <td>St. Lucia</td> <td style="text-align: right;">2 19 10</td> <td style="text-align: right;">5 9</td> </tr> <tr> <td>St. Thomas</td> <td style="text-align: right;">2 10 0</td> <td style="text-align: right;">4 9</td> </tr> <tr> <td>St. Vincent</td> <td style="text-align: right;">3 0 10</td> <td style="text-align: right;">5 10</td> </tr> <tr> <td>Trinidad</td> <td style="text-align: right;">3 5 0</td> <td style="text-align: right;">6 3</td> </tr> </tbody> </table>		Ten words or less.	Each additional word.		£ s. d.	s. d.	From New York to places situated in West India Islands, &c.—			Antigua	2 14 8	5 2	Barbadoes	3 3 6	6 2	Berbice	3 13 3	7 1	Colon (Aspinall) Isthmus of Panama	2 13 9	5 0	Cuba—			Cienfuegos	1 5 0	2 1	Santiago	1 11 0	2 6	All other places	1 2 6	2 0	Demerara	3 12 3	7 1	Dominica	2 17 9	5 6	Grenada	3 3 0	6 0	Guadaloupe	2 16 3	5 4	Jamaica	1 12 0	3 0	Martinique	2 18 9	5 8	Panama—Isthmus of	3 2 0	5 11	Porto Rico	2 8 6	4 7	St. Croix	2 11 10	4 10	St. Kitt's	2 13 9	5 0	St. Lucia	2 19 10	5 9	St. Thomas	2 10 0	4 9	St. Vincent	3 0 10	5 10	Trinidad	3 5 0	6 3		
	Ten words or less.	Each additional word.																																																																												
	£ s. d.	s. d.																																																																												
From New York to places situated in West India Islands, &c.—																																																																														
Antigua	2 14 8	5 2																																																																												
Barbadoes	3 3 6	6 2																																																																												
Berbice	3 13 3	7 1																																																																												
Colon (Aspinall) Isthmus of Panama	2 13 9	5 0																																																																												
Cuba—																																																																														
Cienfuegos	1 5 0	2 1																																																																												
Santiago	1 11 0	2 6																																																																												
All other places	1 2 6	2 0																																																																												
Demerara	3 12 3	7 1																																																																												
Dominica	2 17 9	5 6																																																																												
Grenada	3 3 0	6 0																																																																												
Guadaloupe	2 16 3	5 4																																																																												
Jamaica	1 12 0	3 0																																																																												
Martinique	2 18 9	5 8																																																																												
Panama—Isthmus of	3 2 0	5 11																																																																												
Porto Rico	2 8 6	4 7																																																																												
St. Croix	2 11 10	4 10																																																																												
St. Kitt's	2 13 9	5 0																																																																												
St. Lucia	2 19 10	5 9																																																																												
St. Thomas	2 10 0	4 9																																																																												
St. Vincent	3 0 10	5 10																																																																												
Trinidad	3 5 0	6 3																																																																												
20 Vict., No. 41	<p>SOUTH AFRICA.</p> <table border="1" style="width: 100%; border-collapse: collapse;"> <thead> <tr> <th></th> <th style="text-align: center;">£ s. d.</th> </tr> </thead> <tbody> <tr> <td>The charges are for each separate word in addition to the present word-rate to Europe :—</td> <td></td> </tr> <tr> <td>To Madeira</td> <td style="text-align: right;">0 1 0</td> </tr> <tr> <td>St. Vincent</td> <td style="text-align: right;">0 3 5</td> </tr> <tr> <td>Brazil—</td> <td></td> </tr> <tr> <td> Perambuco</td> <td style="text-align: right;">0 8 5</td> </tr> <tr> <td> Para and Bahia</td> <td style="text-align: right;">0 11 8</td> </tr> <tr> <td> Rio de Janeiro</td> <td style="text-align: right;">0 13 0</td> </tr> <tr> <td> Santos Santa, Catherina, and Rio Grande do Sul ..</td> <td style="text-align: right;">0 15 1</td> </tr> <tr> <td> And all other stations</td> <td style="text-align: right;">0 15 6</td> </tr> <tr> <td>Uruguay—</td> <td></td> </tr> <tr> <td> Monte Video</td> <td style="text-align: right;">0 15 1</td> </tr> <tr> <td> All other stations</td> <td style="text-align: right;">0 15 6</td> </tr> <tr> <td>Argentine Republic—</td> <td></td> </tr> <tr> <td> Buenos Ayres</td> <td style="text-align: right;">0 15 9</td> </tr> <tr> <td> All other stations</td> <td style="text-align: right;">0 16 2</td> </tr> <tr> <td>Chili—Valparaiso and all stations in Chili</td> <td style="text-align: right;">1 1 0</td> </tr> </tbody> </table> <p style="text-align: center;">TELEGRAPH RATES IN JAPAN.</p> <p>The Japanese Government have not adopted the word system of charging. The rates will therefore be in addition to the word rate to Nagasaki :—</p> <table border="1" style="width: 100%; border-collapse: collapse;"> <tbody> <tr> <td>To Hakodadi, per 20 words</td> <td style="text-align: right;">0 17 0</td> </tr> <tr> <td>To all other stations, per 20 words</td> <td style="text-align: right;">0 9 0</td> </tr> </tbody> </table> <p>- And half these rates for each extra ten or less than ten words.</p> <p style="text-align: center;">POSTAGES.</p> <p>On and after 1st January, 1876, the postages on telegrams for places out of Europe has been fixed as follows :—</p> <table border="1" style="width: 100%; border-collapse: collapse;"> <tbody> <tr> <td>From Portugal and Gibraltar</td> <td style="text-align: right;">0 0 10</td> </tr> <tr> <td>From Madeira and St. Vincent and South America ..</td> <td style="text-align: right;">0 1 0</td> </tr> <tr> <td>From Great Britain</td> <td style="text-align: right;">0 1 3</td> </tr> <tr> <td>And from all other places, including China</td> <td style="text-align: right;">0 1 6</td> </tr> </tbody> </table>		£ s. d.	The charges are for each separate word in addition to the present word-rate to Europe :—		To Madeira	0 1 0	St. Vincent	0 3 5	Brazil—		Perambuco	0 8 5	Para and Bahia	0 11 8	Rio de Janeiro	0 13 0	Santos Santa, Catherina, and Rio Grande do Sul ..	0 15 1	And all other stations	0 15 6	Uruguay—		Monte Video	0 15 1	All other stations	0 15 6	Argentine Republic—		Buenos Ayres	0 15 9	All other stations	0 16 2	Chili—Valparaiso and all stations in Chili	1 1 0	To Hakodadi, per 20 words	0 17 0	To all other stations, per 20 words	0 9 0	From Portugal and Gibraltar	0 0 10	From Madeira and St. Vincent and South America ..	0 1 0	From Great Britain	0 1 3	And from all other places, including China	0 1 6	20 Vict., No. 41	18 Dec., 1865.																													
	£ s. d.																																																																													
The charges are for each separate word in addition to the present word-rate to Europe :—																																																																														
To Madeira	0 1 0																																																																													
St. Vincent	0 3 5																																																																													
Brazil—																																																																														
Perambuco	0 8 5																																																																													
Para and Bahia	0 11 8																																																																													
Rio de Janeiro	0 13 0																																																																													
Santos Santa, Catherina, and Rio Grande do Sul ..	0 15 1																																																																													
And all other stations	0 15 6																																																																													
Uruguay—																																																																														
Monte Video	0 15 1																																																																													
All other stations	0 15 6																																																																													
Argentine Republic—																																																																														
Buenos Ayres	0 15 9																																																																													
All other stations	0 16 2																																																																													
Chili—Valparaiso and all stations in Chili	1 1 0																																																																													
To Hakodadi, per 20 words	0 17 0																																																																													
To all other stations, per 20 words	0 9 0																																																																													
From Portugal and Gibraltar	0 0 10																																																																													
From Madeira and St. Vincent and South America ..	0 1 0																																																																													
From Great Britain	0 1 3																																																																													
And from all other places, including China	0 1 6																																																																													

FEES.

No. 114.—SCHEDULE of FEES, &c., received by the several Officers in the respective Departments of the Government, specifying the authority under which they were originally established, and by which the present Rates were fixed, and at what period.

Authority under which levied, or by which legalized.	SPECIFICATION OF FEES.	Authority under which originally established.	At what Period.
COLONIAL SECRETARY'S OFFICE.			
Act of Council } 6 Geo. IV., No. } 20. (1 Nov., } 1825) } Govt. Notice of } 26 July, 1849, } and 30 Sept., } 1853, in pursuance of the } Act of Council } 11 Vict., No. 39 } (Aliens) .. }	Transcript of all papers, per folio of 72 words	£ s. d. 0 1 3	Govt. Order .. 12 Oct., 1811.
	For every certificate of Naturalization	1 1 0	Govt. Notice .. 26 July, 1849.
LANDS OFFICE.			
Crown Lands } Alienation Act } of 1861 .. }	Fee on each Deed of Grant from the Crown	£1 0 0	
SURVEYOR GENERAL'S OFFICE.			
Govt. Notice, } 12 Aug., 1858. }	Fees from Licensed Surveyors—on examination of candidates	£ s. d. 5 0 0	Govt. Notice .. 12 Aug., 1858.
Secretary for } Lands, 17 Sept., } 1869 }	From Candidates for employment as Volunteer Draftsmen ..	0 10 0	Secretary for Lands 17 Sept., 1869.
Govt. Notice, } 4 July, 1873 .. }	For erecting Gates .. { One gate } .. { Every other Gate }	3 3 0 1 1 0	Govt. Notice .. 4 July, 1873.
COURT OF CLAIMS.			
FOR EXAMINING AND REPORTING UPON CLAIMS TO GRANTS OF LAND, UNDER THE GREAT SEAL OF THE COLONY OF NEW SOUTH WALES.			
Act of Council } 5 Wm. IV., No. } 21. (2 June, } 1835) }	For every summons for witnesses, each summons containing four names, by the party requiring the same	£ s. d. 0 2 6	Act of Council, 4 } Wm. IV., No. 9 } 28 Aug., 1833. Act of Council, 5 } Wm. IV., No. 6 } 18 July, 1834.
	For every witness examined, or document or voucher produced in evidence, by the party on whose behalf examined or produced	0 1 0	
	For taking down the examination of any witness	0 1 0	
	For every one hundred words after the first hundred, additional	0 1 0	
	For every certificate granted by Commissioners, of default, refusal to answer, or wilful withdrawing of any witness. .	1 0 0	
Act of Council, } 18 Vict., No. 11 } (4 Aug., 1854) }	For every final report, to be paid by the party or parties in whose favour report made	8 6 0	{ Ditto ditto, 5 } Ditto ditto. Wm. IV., No. 21, } 2 June, 1835. (and 6 Vict., No. 11. } 16 Aug., 1842.
	By the 10th section of the Act of Council 5 Wm. IV., No. 21, poor persons are allowed to appear and prosecute their claims without payment of any of the foregoing fees, if it shall appear to the Commissioners that they are not in a condition to pay the same.		

Authority under which levied, or by which legalized.	SPECIFICATION OF FEES— <i>continued</i> .	Authority under which originally established.	At what Period.
REGISTRAR GENERAL'S OFFICE.			
MEMORIALS OF DEEDS AND OTHER INSTRUMENTS RELATING TO REAL PROPERTY.			
Acts of Council 7 Vic., No. 16 (20 Dec., 1843), 13 Vic., No. 45 (12 Oct., 1849), Act of the Parliament of New South Wales 20 Vic., No. 27 ..	For receiving every will or certified copy or memorial of any deed for registration, including verifying the same and indorsement of receipt on original deed	£ s. d. 0 7 6	Proclamation .. 18 Jan., 1817. Acts of Council— 6 Geo. IV., No. 22 16 Nov., 1825. 5 Vic., No. 21.. 3 Jan., 1842. 7 Vic., No. 16.. 20 Dec., 1843.
	For every acknowledgment, before whomsoever made, and whether already made or to be thereafter made	0 10 0	
	*For the enrolment of every grant of land hereafter issued under the Great Seal of the Colony, where the quantity granted shall not exceed 50 acres	0 5 0	
	*For ditto, where the quantity shall be over 50 but under 300 acres	0 7 6	
	*For ditto, where the quantity shall exceed 300 acres	0 10 0	
	For every search of copy of any deed, or of any memorial of deed, or will of one property	0 2 6	
	For every search for any copy of any grant of land	0 2 6	
	For every examined copy of memorial, or of any deed not exceeding six folios	0 5 0	
	For every folio of 90 words, exceeding six folios	0 0 8	
	For every extract from any memorial, will, or other writing, per folio	0 0 8	
	For receiving and noting every will deposited for safe custody	0 5 0	
	For every search for will	0 1 0	
* The fees for enrolment of grants of land are paid at the Lands Office, on the delivery of the grant, and are in addition to those payable for the preparation of the same.			
11 Vic., No. 38 } (1 Oct., 1847).. }	Certified copies of grants, at per folio of 72 words	0 1 3	11 Vic., No. 38.. 1 Oct., 1847.
CHARTERS OF INCORPORATION OR DEEDS OF SETTLEMENT OF BANKING OR OTHER PUBLIC COMPANIES.			
Act of Council 13 Vic., No. 45 } (12 Oct., 1849)	For every examined copy of deed of public company or charter of incorporation, per folio	£ s. d. 0 0 8	Acts of Council— 2 Vic. ... 17 Aug., 1838. 4 Vic., No. 13.. 23 Sept., 1840. 7 Vic., No. 16.. 20 Dec., 1843.
	For every search for copy of deed of settlement of public company or charter of incorporation	0 1 0	
CERTIFICATES OF BAPTISMS, MARRIAGES, AND BURIALS.			
Acts of Council 11 Vic., No. 4, 11 Vic., No. 38, and sections 2 and 3 of 14 Vic., No. 24, made permanent by 23 Vic., No. 9	For every search for certificates of marriages, baptisms, and burials	£ s. d. 0 1 0	7 Vic., No. 16.. 20 Dec., 1843.
	For every copy of such certificate	0 1 0	
REGISTRATION OF MORTGAGES OF SHEEP, CATTLE, AND HORSES, AND OF AGREEMENTS FOR THE PURCHASE OF WOOL.			
Acts of Council 11 Vic., No. 4, 11 Vic., No. 38, and sections 2 and 3 of 14 Vic., No. 24, made permanent by 23 Vic., No. 9	For the registration of every agreement for the purchase of wool, or advances thereon	£ s. d. 0 2 6	*Act of Council } 7 Vic., No. 3. } 15 Sept., 1843. *This Act disallowed by Her Majesty.
	For the registration of every mortgage of sheep, cattle, and horses	0 2 6	
	For each affidavit	0 1 0	
	For every search	0 1 0	
REGISTRATION OF LIENS ON CROPS.			
Act of the Parliament of New South Wales 26 Vic., No. 10. } (Assented to, 9 Dec., 1862) .. }	For every entry	£ s. d. 0 2 6	26 Vic., No. 10.. 9 Dec., 1862.
	For each affidavit	0 1 0	
	For every search	0 1 0	

Authority under which levied, or by which legalized.	SPECIFICATION OF FEES— <i>continued.</i>	Authority under which originally established.	At what Period.														
REGISTRAR GENERAL'S OFFICE— <i>continued.</i>																	
BIRTHS, DEATHS, AND MARRIAGES.																	
19 Vict., No. 34 (3 Dec., 1855).	<table border="0"> <tr> <td></td> <td style="text-align: right;">£ s. d.</td> </tr> <tr> <td>Every search in index</td> <td style="text-align: right;">0 5 0</td> </tr> <tr> <td>Every certified copy</td> <td style="text-align: right;">0 2 0</td> </tr> <tr> <td>Every marriage performed by Registrar</td> <td style="text-align: right;">1 0 0</td> </tr> </table>		£ s. d.	Every search in index	0 5 0	Every certified copy	0 2 0	Every marriage performed by Registrar	1 0 0	19 Vict., No. 34..	1 Mar., 1856.						
		£ s. d.															
	Every search in index	0 5 0															
Every certified copy	0 2 0																
Every marriage performed by Registrar	1 0 0																
REAL PROPERTY.																	
FEES PAYABLE FOR THE PERFORMANCE OF THE SEVERAL ACTS, MATTERS, AND THINGS HEREIN SPECIFIED.																	
For hearing application to bring land under the provisions of this Act, or to be registered in respect to an estate of freehold of a deceased proprietor, to be paid to the Land Titles Commissioners, over and above the cost of all advertisements herein prescribed to be in such case published.																	
<table border="0"> <tr> <td></td> <td style="text-align: right;">£ s. d.</td> </tr> <tr> <td>When the applicant is the original grantee, and the land has never been sold, mortgaged, encumbered, or made the subject of settlement</td> <td style="text-align: right;">0 5 0</td> </tr> <tr> <td>When the title is of any other description, and the value exceeds £500</td> <td style="text-align: right;">2 10 0</td> </tr> <tr> <td>Ditto ditto exceeds £400 and does not exceed £500</td> <td style="text-align: right;">2 0 0</td> </tr> <tr> <td>Ditto ditto exceeds £300 and does not exceed £400</td> <td style="text-align: right;">1 10 0</td> </tr> <tr> <td>Ditto ditto exceeds £200 and does not exceed £300</td> <td style="text-align: right;">1 0 0</td> </tr> <tr> <td>Ditto ditto when the value does not exceed £200</td> <td style="text-align: right;">0 10 0</td> </tr> </table>					£ s. d.	When the applicant is the original grantee, and the land has never been sold, mortgaged, encumbered, or made the subject of settlement	0 5 0	When the title is of any other description, and the value exceeds £500	2 10 0	Ditto ditto exceeds £400 and does not exceed £500	2 0 0	Ditto ditto exceeds £300 and does not exceed £400	1 10 0	Ditto ditto exceeds £200 and does not exceed £300	1 0 0	Ditto ditto when the value does not exceed £200	0 10 0
	£ s. d.																
When the applicant is the original grantee, and the land has never been sold, mortgaged, encumbered, or made the subject of settlement	0 5 0																
When the title is of any other description, and the value exceeds £500	2 10 0																
Ditto ditto exceeds £400 and does not exceed £500	2 0 0																
Ditto ditto exceeds £300 and does not exceed £400	1 10 0																
Ditto ditto exceeds £200 and does not exceed £300	1 0 0																
Ditto ditto when the value does not exceed £200	0 10 0																
Contribution to Assurance Fund upon first bringing land under this Act, and upon the registration of an estate of freehold in possession, derived by settlement, will, or intestacy:—																	
In the pound sterling 0 0 0½																	
Other Fees:—																	
Act of the Parliament of New South Wales, 26 Vict., No. 9. (Assented to, 7 Nov., 1862) .. This Act to commence and take effect from and after 1 Jan., 1863	For every certificate of title 1 0 0																
	Registering memorandum of transfer, lease, mortgage, or encumbrance, or the transfer or discharge of a mortgage, or the transfer or surrender of a lease 0 10 0																
	Registering proprietor of any estate or interest derived by settlement or transmission 1 0 0																
	For every power of attorney 0 10 0																
	For every registration abstract 1 0 0																
	For cancelling registration abstract 0 5 0																
	For every revocation order 0 10 0																
	Noting caveat 0 10 0																
	Cancelling or withdrawing of caveat, and service of notice to caveator or caveatee 0 5 0																
	Issuing order for foreclosure 1 0 0																
	For every search 0 2 0																
	For every general search 0 5 0																
	For every map or plan deposited 0 5 0																
	For every instrument declaratory of trusts, and for every will or other instrument deposited 0 10 0																
	For registering recovery by proceeding in law or equity, or re-entry by lessee 0 10 0																
	For registering vesting of lease in mortgagee, consequent on refusal of assignees to accept the same 0 10 0																
	For entering notice of marriage or death 0 10 0																
	For entering notice of writ, or order of Supreme Court 0 10 0																
	Taking acknowledgment of married women 0 5 0																
	Taking declaration in case of lost grant or other instrument, or where production of duplicate is dispensed with 0 10 0																
	For the exhibition or return of any deposited instrument, or for exhibiting or returning deeds surrendered by applicant proprietor 0 5 0																
For certified copy, first five folios of seventy-two words 0 5 0																	
For every folio, or part folio, after first five 0 0 8																	
For every instrument drawn on parchment 0 2 6																	
Taking affidavit, or statutory declaration 0 5 0																	
When any instrument purports to deal with land included in more than one grant or certificate, for each registration memorial after the first 0 2 0																	
36 Vict., No. 7..	For any certificate of title which shall exceed in length six folios of seventy-two words each, a further sum of two shillings for each folio or part of a folio in excess of such six folios, and if there shall be more than one diagram in such certificate, a further sum of one shilling for every such diagram after the first diagram.																
26 Vict., No. 9..																	
7 Nov., 1862.																	

Authority under which levied, or by which legalized.	SPECIFICATION OF FEES— <i>continued.</i>	Authority under which originally established.	At what Period.																																																																																																
	<p>REGISTRAR GENERAL'S OFFICE—<i>continued.</i></p> <p>TRADE MARKS.</p> <table border="1" style="margin-left: auto; margin-right: auto;"> <thead> <tr> <th></th> <th>£</th> <th>s.</th> <th>d.</th> </tr> </thead> <tbody> <tr> <td>Registration of Trade Mark</td> <td>3</td> <td>3</td> <td>0</td> </tr> <tr> <td>Inspection of Register.. .. .</td> <td>0</td> <td>0</td> <td>6</td> </tr> <tr> <td>Transfer of Certificate.. .. .</td> <td>1</td> <td>1</td> <td>0</td> </tr> </tbody> </table>		£	s.	d.	Registration of Trade Mark	3	3	0	Inspection of Register.. .. .	0	0	6	Transfer of Certificate.. .. .	1	1	0	} 28 Vict., No. 9 ..	26 May, 1865.																																																																																
	£	s.	d.																																																																																																
Registration of Trade Mark	3	3	0																																																																																																
Inspection of Register.. .. .	0	0	6																																																																																																
Transfer of Certificate.. .. .	1	1	0																																																																																																
Act of the Parliament of New South Wales, 28 Vict., No. 9 (26 May, 1865) ..	<p>CHIEF INSPECTOR OF SHEEP.</p> <p>REGISTRATION OF BRANDS.</p> <p>For registering any brand, including the cost of advertising such brand in the <i>Gazette</i> for two consecutive issues, and for publishing the same in the Brand Directory of the Colony, as follows, namely:—</p> <table border="1" style="margin-left: auto; margin-right: auto;"> <thead> <tr> <th></th> <th>£</th> <th>s.</th> <th>d.</th> </tr> </thead> <tbody> <tr> <td colspan="4" style="text-align: center;">CATTLE.</td> </tr> <tr> <td>The proprietor of 1 animal and not exceeding 20</td> <td>0</td> <td>5</td> <td>0</td> </tr> <tr> <td> " 20 " " " 100</td> <td>0</td> <td>10</td> <td>0</td> </tr> <tr> <td> " 100 " " " 500</td> <td>0</td> <td>15</td> <td>0</td> </tr> <tr> <td> " 500 " " " 1,000</td> <td>1</td> <td>0</td> <td>0</td> </tr> <tr> <td> " 1,000 " " " 3,000</td> <td>1</td> <td>5</td> <td>0</td> </tr> <tr> <td> " 3,000 " " " 4,000</td> <td>1</td> <td>10</td> <td>0</td> </tr> <tr> <td> " 4,000 " " " 6,000</td> <td>1</td> <td>15</td> <td>0</td> </tr> <tr> <td> " 6,000 and upwards</td> <td>2</td> <td>0</td> <td>0</td> </tr> <tr> <td colspan="4" style="text-align: center;">HORSES.</td> </tr> <tr> <td>The proprietor of 1 animal and not exceeding 10</td> <td>0</td> <td>5</td> <td>0</td> </tr> <tr> <td> " 10 " " " 20</td> <td>0</td> <td>10</td> <td>0</td> </tr> <tr> <td> " 20 " " " 50</td> <td>0</td> <td>15</td> <td>0</td> </tr> <tr> <td> " 50 " " " 100</td> <td>1</td> <td>0</td> <td>0</td> </tr> <tr> <td> " 100 " " " 200</td> <td>1</td> <td>5</td> <td>0</td> </tr> <tr> <td> " 200 " " " 400</td> <td>1</td> <td>10</td> <td>0</td> </tr> <tr> <td> " 400 " " " 600</td> <td>1</td> <td>15</td> <td>0</td> </tr> <tr> <td> " 600 and upwards</td> <td>2</td> <td>0</td> <td>0</td> </tr> <tr> <td>For every search in any Register of Brands</td> <td>0</td> <td>1</td> <td>0</td> </tr> <tr> <td>For the transfer of any brand, one-half of the above rates respectively, according to the scale mentioned,</td> <td></td> <td></td> <td></td> </tr> <tr> <td>For any extract from the Brand Directory, <i>Gazette</i>, or Brand Register, for the first hundred words, or portion thereof</td> <td>0</td> <td>1</td> <td>0</td> </tr> <tr> <td>For every additional one hundred words, or portion</td> <td>0</td> <td>0</td> <td>6</td> </tr> <tr> <td>For notice of similarity of brand, or of distinguishing brand fixed upon by the Registrar, by post</td> <td>0</td> <td>1</td> <td>0</td> </tr> </tbody> </table>		£	s.	d.	CATTLE.				The proprietor of 1 animal and not exceeding 20	0	5	0	" 20 " " " 100	0	10	0	" 100 " " " 500	0	15	0	" 500 " " " 1,000	1	0	0	" 1,000 " " " 3,000	1	5	0	" 3,000 " " " 4,000	1	10	0	" 4,000 " " " 6,000	1	15	0	" 6,000 and upwards	2	0	0	HORSES.				The proprietor of 1 animal and not exceeding 10	0	5	0	" 10 " " " 20	0	10	0	" 20 " " " 50	0	15	0	" 50 " " " 100	1	0	0	" 100 " " " 200	1	5	0	" 200 " " " 400	1	10	0	" 400 " " " 600	1	15	0	" 600 and upwards	2	0	0	For every search in any Register of Brands	0	1	0	For the transfer of any brand, one-half of the above rates respectively, according to the scale mentioned,				For any extract from the Brand Directory, <i>Gazette</i> , or Brand Register, for the first hundred words, or portion thereof	0	1	0	For every additional one hundred words, or portion	0	0	6	For notice of similarity of brand, or of distinguishing brand fixed upon by the Registrar, by post	0	1	0	} 30 Vict., No. 12 ..	5 Oct., 1866.
	£	s.	d.																																																																																																
CATTLE.																																																																																																			
The proprietor of 1 animal and not exceeding 20	0	5	0																																																																																																
" 20 " " " 100	0	10	0																																																																																																
" 100 " " " 500	0	15	0																																																																																																
" 500 " " " 1,000	1	0	0																																																																																																
" 1,000 " " " 3,000	1	5	0																																																																																																
" 3,000 " " " 4,000	1	10	0																																																																																																
" 4,000 " " " 6,000	1	15	0																																																																																																
" 6,000 and upwards	2	0	0																																																																																																
HORSES.																																																																																																			
The proprietor of 1 animal and not exceeding 10	0	5	0																																																																																																
" 10 " " " 20	0	10	0																																																																																																
" 20 " " " 50	0	15	0																																																																																																
" 50 " " " 100	1	0	0																																																																																																
" 100 " " " 200	1	5	0																																																																																																
" 200 " " " 400	1	10	0																																																																																																
" 400 " " " 600	1	15	0																																																																																																
" 600 and upwards	2	0	0																																																																																																
For every search in any Register of Brands	0	1	0																																																																																																
For the transfer of any brand, one-half of the above rates respectively, according to the scale mentioned,																																																																																																			
For any extract from the Brand Directory, <i>Gazette</i> , or Brand Register, for the first hundred words, or portion thereof	0	1	0																																																																																																
For every additional one hundred words, or portion	0	0	6																																																																																																
For notice of similarity of brand, or of distinguishing brand fixed upon by the Registrar, by post	0	1	0																																																																																																

Authority under which levied, or by which legalized.	SPECIFICATION OF FEES— <i>continued.</i>	Authority under which originally established.	At what Period.
SUPREME COURT.			
COMMON LAW AND GENERAL JURISDICTION.			
	* FEES PAYABLE TO THE PROTHONOTARY.		
		£ s. d.	
	Administering oath of allegiance or office	0 10 6	
	On filing articles of clerkship	5 5 0	
	On filing assignments of articles	1 1 0	
	Affixing seal of Court to any commission or document	0 10 6	
	Every certificate under hand of a Judge	0 5 0	
	Ditto under hand of Prothonotary or Chief Clerk	0 2 6	
	Every oath administered, whether in Court or by a Commissioner or Judge	0 1 0	
	And for marking exhibits attached to any affidavit (each such exhibit an additional sum of)	0 0 6	
	On reference to the Prothonotary, Chief Clerk, or any Commissioner. For each attendance not exceeding two hours	1 1 0	
	For every additional hour	0 5 0	
	For his report or award thereon	1 1 0	
	The like where very special	2 2 0	
	Every examination of a witness or other person (including taking down and certifying the same):—The like fees. If required to attend at any other than his own office or residence (over and above his actual and necessary travelling expenses) an additional	0 10 6	
	Every recognizance, of whatever kind	0 5 0	
	For each name beyond the first	0 2 6	
	For every office search	0 1 0	
	The like (judgments), and additional fee for every term beyond the first	0 0 4	
	For every Judge's summons	0 1 0	
	If with stay of proceedings	0 2 6	
	Entering case in clerk's list	0 1 0	
	For Judge's order for special bailiff, or the issue of any writ of execution	0 1 0	
	Order to plead double, or for examination of witnesses	0 1 0	
	In other cases	0 2 6	
	Filing affidavits in Chambers	0 0 6	
	For rule of Court	0 5 0	
	Taxing costs, whether in actions or between attorney and client	0 5 0	
	If exceeding one hour	0 7 6	
	Where the bill exceeds thirty folios, for every thirty folios above the first thirty	0 5 0	
	Taxing interlocutory costs	0 2 6	
	Appointment to tax or compute in any matter	0 1 0	
	Filing declaration, demurrer, or pleading; affidavit not in Chambers, or bill of costs; return to any writ, or paper, or writing not specified	0 1 0	
	Filing notice of motion for new trial, nonsuit, or in arrest of judgment; or return to any special writ	0 2 6	
	Entering any case or matter in the Prothonotary's paper, including demurrers, rules nisi, new trial applications, special cases, appeals and applications, or motions, or any writ of certiorari, extent, habeas corpus, quo warranto, or mandamus	0 2 6	
	All office copies, per folio of 72 words (and for certifying any such copy, 1s.)	0 0 4	
	Writ of habeas corpus	0 5 0	
	Every other writ (not being in action)	0 10 0	
	Mesne process in an action (including the writ of scire facias)	0 5 0	
	Every subpoena	0 2 6	
	Any other writ issuing in an action	0 5 0	
	Entering appearance	0 3 6	
	On putting in special bail	0 5 0	
	Filing exception to bail	0 2 6	
	On justifying bail	0 5 0	
	Withdrawing any pleading	0 5 0	
	Entering cause for assessment on trial	0 10 0	
	Entering every verdict, or judgment of nonsuit	0 2 0	
	On precept for any judgment by default	0 5 0	
	Signing judgment after verdict	0 10 0	
	Ditto in other cases	0 5 0	
	Ditto on warrant of attorney	0 15 0	
	Ditto on old warrant of attorney	1 1 0	
	For recording and indorsing every cognovit or warrant of attorney	0 2 6	
	On money paid into Court, for every sum of 20s.	0 0 3	
	On every trial or assessment of damages, crier, courtkeeper, and tipstaves	0 7 6	
	Every witness sworn on any such trial or assessment (to crier)	0 0 6	
	Every exhibit, at trial or on assessment	0 1 0	
	Taking down evidence on trial, per folio of 72 words	0 1 0	
	Entry of any suggestion on the record	0 2 6	
By the Judges of the Supreme Court, in pursuance of the powers given them by the Act of Parliament 9 Geo. IV., cap. 83, sec. 16; and Act of the Colonial Legislature 4 Victoria, No. 22, sec. 23.	All Court fees in actions for sums not exceeding £30 are abolished.	By Chief Justice Sir Francis Forbes, under the authority of the Act of Parliament 4 Geo. IV., c. 96.	1824.

Authority under which levied, or by which legalized.	SPECIFICATION OF FEES— <i>continued.</i>	Authority under which originally established.	At what Period.
SUPREME COURT—<i>continued.</i>			
ECCLIESIASTICAL JURISDICTION.			
FEES PAYABLE TO THE CURATOR OF INTESTATE ESTATES.			
Intestacies; where effects are collected by authority of the Court:			
Act of Council 11 Vict., No. 24	For every order to collect, where effects shall appear to be above £50	£ s. d.	
	Where effects shall appear to be £50 or under	0 5 0	
	For every order to pay money, if £10 and under £20	0 2 6	
	If £20 and under £50	0 5 0	
	If £50 and under £100	0 10 0	
	And on every £100 above the first	0 2 6	
	For every common order	0 2 6	
	For every special order	0 5 0	
	For every office copy, 3d. per folio.		
	On every audit of accounts, including the direction to invest assets, if the amount which shall have been in the Curator's hands be under £20	0 5 0	
	If £20 and under £50	0 7 6	
	If £50 and under £100	0 10 0	
	For every £100 above the first	0 2 6	
	For every other order	0 2 6	
	MEMORANDUM.—The whole of the preceding fees (which are inclusive of all fees and affidavits for filing of the petition and order, the taking of the bond and oath, and every other incidental matter) are paid in each instance on the order, whether in cases of probate, orders to collect, or letters of administration.		
On all moneys collected by the Curator of Intestate Estates a commission at the rate of 5 per cent, which is paid into the Colonial Treasury.			
If collected by an agent, an allowance of 3 per cent. is made out of such commission, as a remuneration for his services.			
PAYABLE TO THE PROTHONOTARY.			
<i>Miscellaneous Matters.</i>			
Act of Parliament 9 Geo. IV., cap. 83, and Act of the Colonial Legislature, 4 Vict., No. 22 ..	Office copy of any will, per folio of 72 words	0 0 8	Act of Parliament 4 Geo. IV. cap. 96
	The like of pleadings in any ecclesiastical suit, or other matter, per folio	0 0 6	
	Every search	0 1 0	
	For every citation, or entering any caveat	0 5 0	
	Entering any appearance	0 2 6	
	Filing every libel, allegation, plea, or answer in any suit	0 5 0	
	On every exhibit annexed to or forming part of any libel, plea, or answer	0 1 0	
	For taking down every account of debt, and reporting upon the same	0 3 0	
	For setting down a cause for hearing	0 10 0	
	Every appointment to proceed before the Registrar in any reference to him	0 2 0	
	Registrar's attendance on every such appointment, per hour; filing every petition or notice of appeal	0 5 0	
	On any order for a feigned issue	0 5 0	
	Exemplification of process in any ecclesiastical matter, per folio	0 0 8	
	Affixing seal of the Court to such exemplification	0 10 6	
	All matters not enumerated, the same fees to be paid as at common law.		
EQUITABLE JURISDICTION.			
FEES PAYABLE TO THE MASTER.			
Every appointment or warrant	0 3 0		
Every search in any cause or matter pending	0 1 0		
Search in other cases	0 2 6		
Certifying any office copy	0 2 6		
If under five folios	0 1 0		
Filing any affidavit (whether to be used in Court or before the Master)	0 1 0		
Filing charge, state of facts, proposals, or similar matter	0 2 0		
Allowance of any such matter	0 5 0		
Every certificate not being a "Master's certificate"	0 2 6		
For amending any pleading	0 10 0		
Every subpoena and testificandum	0 2 6		
Each name beyond the first	0 1 0		
Every other subpoena	0 5 0		
Every common injunction, or writ of attachment, or fi. fa.	0 10 6		

Authority under which levied, or by which legalized.	SPECIFICATION OF FEES— <i>continued.</i>	Authority under which originally established.	At what Period.	
SUPREME COURT—<i>continued.</i>				
EQUITABLE JURISDICTION—<i>continued.</i>				
FEES PAYABLE TO THE MASTER—<i>continued.</i>				
		£ s. d.		
Act of Parliament 9 Geo. IV, cap. 83, and Act of the Colonial Legislature 4 Vict., No. 22.	Every special injunction, writ of ne exeat coloniã, sequestration or writ of assistance	1 1 0	Act of Parliament } 4 Geo. IV, cap. 96 } 1824.	
	Every decree	2 0 0		
	Office copy thereof	1 0 0		
	Every order not being an order of course, or on appeal, or re-hearing	0 10 6		
	Office copy thereof	0 5 0		
	Filing bill or information	0 10 0		
	Filing answer or any pleading	0 5 0		
	Entering appearance, each defendant	0 2 6		
	Setting down a cause	0 10 6		
	Every oath or affirmation	0 1 0		
	On every exhibit to affidavit, or on taking accounts before the Master	0 0 6		
	Every other exhibit	0 1 0		
	On any advertisement	0 5 0		
	Every bond or recognizance	0 10 6		
	Examination of any party or witness, inclusive of oath	0 2 6		
	If above one hour	0 4 0		
	If above two hours	0 5 0		
	Commission in Lunacy	1 1 0		
	Superseding same	0 10 6		
	Grant of person or estate, or both, including enrolment	1 1 0		
	Where value of property exceeds £500	2 2 0		
	Every revocation, including enrolment	1 1 0		
	In respect of all matters and things not enumerated in the above table, which would in England be done and transacted in the High Court of Chancery, the like fees are in this Court demanded and taken as may lawfully be demanded and taken in the said Court of Chancery.			
	For filing a claim	0 5 0		
	For sealing every writ of summons	0 5 0		
	For filing a caveat	0 2 6		
	For every order on the hearing of a claim, or on further directions	1 0 0		
	For every office copy thereof	0 10 0		
	For every order or hearing exceptions	0 10 0		
	For every office copy thereof	0 5 0		
	For appearances, certificates, &c., and for other orders and office copies, the same fees as are now received by the Master in Equity.			
	For every summons in Chambers	0 2 6		
	For every order in Chambers	0 7 6		
	For entering appearance, each defendant	0 1 0		
	COMMON LAW AND GENERAL JURISDICTION.			
FEES PAYABLE TO THE SHERIFF.				
For the service of a summons (besides mileage to bailiff), each defendant	0 5 0	Act of Parliament } 9 Geo. IV, cap. 83, and Act of the Colonial Legislature 4 Vict., No. 22.	Act of Parliament } 4 Geo. IV, cap. 96 } 1824.	
Fee to cover postage (each writ requiring to be sent by post)	0 0 6			
On caption of any defendant, under ca. re.	0 10 6			
Service of foreign attachment (besides mileage to bailiff), each garnishee	0 5 0			
On every bail bond	0 5 0			
Assignment of bail bond	0 5 0			
Where a view shall be had—summoning a jury within five miles	0 3 6			
If a greater distance	0 5 0			
Receiving and entering every writ of execution	0 1 0			
On every warrant	0 1 0			
The like for special warrant	0 2 6			
Receiving and entering every order of suspension of any writ	0 2 6			
On every enlargement of return	0 1 0			
Executing every writ of fi. fa., ca. sa., or Judge's warrant, 5 per cent. on the first £100, and 2½ per cent. above that.				
Executing every writ of habere facias, the like on the amount of rent or annual value.				
Office copy of any document, per folio of 72 words	0 0 4			
For every office search, or inspection of any document	0 1 0			
Attending every inquisition (in lunacy, or as to property, &c.)	1 1 0			
On every warrant in replevin	0 5 0			
Executing process of attachment	1 1 0			

Authority under which levied, or by which legalized.	SPECIFICATION OF FEES— <i>continued.</i>	Authority under which originally established.	At what period.
SUPREME COURT—<i>continued.</i>			
COMMON LAW AND GENERAL JURISDICTION—<i>continued.</i>			
FEES PAYABLE TO THE SHERIFF—<i>continued.</i>			
	£ s. d.		
Act of Council 11 Vict., No. 20	On assessment of damages	1 0 0	} Act of Council 8 Vict., No. 4
	On each case of trial by Jury:—		
	Jury of four	2 0 0	
	Special Jury of twelve	6 0 0	
	Common Jury of twelve	3 0 0	
	The above fees, together with the amount of all fines on jurors, form a fund in the hands of the Sheriff, for paying the expense of civil jurors.		} 2 Aug., 1844.
FEES TAKEN BY THE PROTHONOTARY.			
<i>Bills of Sale.</i>			
Act of Council 19 Vict., No. 2 (18 July, 1855).	For searching the registers or bills of sale, for every search against one person	0 0 6	} 19 Vict., No. 2 ..
	And for every search of index to the said registers, by the person requiring the information	0 1 0	
	For filing and entering every bill of sale, or a copy thereof..	0 2 6	
			} 18 July, 1855.
SHERIFF'S OFFICE.			
FEES RECEIVED BY THE UNDER SHERIFF.			
	Attending a view within five miles of Sheriff's Office ..	1 1 0	} 19 Vict., No. 2 ..
	Ditto at a greater distance	2 2 0	
	Mileage	0 1 0	
	Drawing and inserting every advertisement	0 5 0	
BAILIFF'S FEES.			
GENERAL JURISDICTION.			
	Mileage or service of summons, and for executing any writ (out only)	0 0 9	} 19 Vict., No. 2 ..
	But if defendant served at same time with two writs, each writ, per mile	0 0 6	
	Or if with more than two writs, each writ, per mile.. ..	0 0 4	
	Ditto, conveying any party to gaol, per mile	0 0 9	
	Possession money, per diem	0 4 0	
	Caption fee, each person taken	0 10 6	
EQUITABLE JURISDICTION.			
Act of Parlia- ment 9 Geo. IV., cap. 83, and Act of the Colonial Legislature 4 Vict., No. 22 ..	Arrest upon any warrant or attachment	0 5 0	} Act of Parlia- ment 4 Geo. IV., cap. 96 .. .
	Producing a person at the bar of the Court	0 2 6	
	Travelling expenses per mile (out only)	0 0 9	
	COMMISSIONERS OF THE SUPREME COURT FOR TAKING AFFIDAVITS OR RECOGNIZANCES AND ACKNOWLEDGMENTS.		} 1824.
	Every oath administered in the country	0 2 0	} 1824.
	Ditto in town	0 1 0	
	And for marking exhibits attached to any affidavit (each such exhibit an additional sum of)	0 0 6	
	Every oath not being at his own office or residence	0 5 0	
	Ditto if above a mile beyond the Commissioner's residence (over and above his actual and necessary travelling expenses)	1 1 0	
	Every examination of a witness, or other person (including taking down and certifying the same), for each attendance not exceeding two hours	1 1 0	
	For every additional hour	0 5 0	
	If required to attend at any other than his own office or residence (over and above his actual and necessary travelling expenses) an additional	0 10 6	
	Every recognizance, of whatever kind	0 5 0	
	For each name beyond the first	0 2 6	
	For executing any writ of trial or inquiry, including summoning of assessors	2 2 0	

Authority under which levied, or by which legalized.	SPECIFICATION OF FEES— <i>continued.</i>	Authority under which originally established.	At what Period.
	SUPREME COURT—<i>continued.</i>		
	DIVORCE AND MATRIMONIAL CAUSES COURT.		
	SCALE OF FEES—to be taken in the Registrar's Office.		
	<i>Filing.</i>	£ s. d.	
	Every petition	0 5 0	
	Every answer, reply, or other pleading or statement in nature of a pleading	0 5 0	
	Every application for order for protection, or for discharging of any such order	0 5 0	
	Engrossment of proceedings on parchment	0 5 0	
	Every precept, citation, affidavit, appearance, address, notice, or other document not herein specially provided for	0 1 0	
	<i>Entering.</i>		
	Appearance	0 2 6	
	Address	0 2 6	
	Decrees and orders, per folio	0 0 6	
	<i>Issue of Writs, &c.</i>		
	Signing and sealing every citation	0 5 0	
	Every subpoena	0 5 0	
	Every writ of fieri facias attachment, or other writ not herein specially provided for	0 5 0	
	Sealing copy petition	0 5 0	
	Affixing seal of Court to any commission or other document	1 0 0	
	<i>Decrees and Orders.</i>		
	For every decree	1 0 0	
	For every order of the Court	0 10 6	
	<i>Settling.</i>		
	Every advertisement	0 5 0	
	Perusing and settling every settlement or deed connected therewith, if not exceeding thirty folios	1 0 0	
	Exceeding thirty and not exceeding fifty folios	1 10 0	
	Exceeding fifty and not exceeding one hundred folios	2 10 0	
	Exceeding one hundred folios	3 0 0	
	Examining engrossment with draft affidavit not exceeding fifteen folios	0 3 4	
	If exceeding fifteen folios, then for every fifteen folios	0 3 4	
	Settling every bond, recognizance, or other deed or document not herein specially provided for, per folio	0 0 6	
	Signing approval	0 5 0	
	<i>Oaths and Exhibits.</i>		
	For each oath administered	0 1 6	
	Signing each exhibit	0 0 6	
	Memo.—The like fees to be taken by Commissioners for taking Affidavits.		
	<i>Miscellaneous.</i>		
	For setting down cause for hearing	0 10 0	
	For setting down motion or other application	0 5 0	
	Every office search	0 1 0	
	If same exceed half an hour	0 2 6	
	Receiving or handing over exhibits or other documents deposited, and comparing same with schedule	0 5 0	
	Posting every notice	0 1 0	
	Office copy, per folio	0 0 6	
	Certified copy, per folio	0 0 9	
	Every warrant	0 3 0	
	Taxing costs, 2½ per cent. on the amount allowed.		
	For every other proceeding not herein specially provided for, the same fees as for the like or analogous proceeding in Equity.		
	FEES—to be taken in Judge's Chambers.		
	For every summons	0 2 0	
	For every order thereon	0 3 0	
	For filing every affidavit	0 1 0	
	Memo.—All affidavits filed with the Associate, and used before the Judge in Chambers, are to be forwarded by the Associate to the Registrar forthwith, after the application to which they relate shall have been disposed of.		
	For any other proceeding or business not above specifically provided for, the same fees as for like or analogous proceedings at Common Law or in Equity, as the case may be.		
Judge of the Court, in pursuance of power vested in him by the 44th section of the Act 36 Vic. No. 9.		Act 36 Vic. No. 9 came into operation.. }	3 March, 1873.
			1 July, 1873.

STATISTICS—1877.

225

Authority under which levied, or by which legalized.	SPECIFICATION OF FEES— <i>continued.</i>	Authority under which originally established.	At what Period.
	COURT OF INSOLVENCY.		
	FEES TAKEN BY THE CHIEF COMMISSIONER AND OTHERS IN INSOLVENT ESTATE PROCEEDINGS.		
	CHIEF COMMISSIONER.		
	Upon filing every petition by a person surrendering his estate as insolvent, including the Chief Commissioner's order thereon, where the assets shall appear not to exceed £100	s. d. 2 6	
	When above that amount	5 0	
	For drawing and inserting each advertisement, besides the expenses paid for advertising, when required to be done by him	2 6	
	Upon receiving and filing every petition against a person having committed an act of insolvency	5 0	
	For every affidavit used therewith	1 0	
	For the Chief Commissioner's order thereon	5 0	
	For every summons of debtor to show cause	5 0	
	For every examination taken on the hearing, per folio of ninety words	0 4	
	For every person examined or document exhibited	1 0	
	For making up and recording the judgment thereon	5 0	
	For taxing costs in any case (same as in the Supreme Court Office).		
	For making every necessary application and report to the Court, or a Judge, or the Chief Commissioner, and minute of the order thereon	2 6	
	For every warrant of attachment of movable property	2 6	
	For every summons for the attendance of a person to give evidence or be examined	5 0	
Act of Council 7 Vict., No. 19 (21 Dec., 1843, and 25 Vict., No. 8).. .. .	For every certified extract from, or copy of proceedings relating to, insolvent estates, of less than ninety words	2 6	
	And above that number, per folio	0 4	
	For every inspection of proceedings in each estate not exceeding half an hour	1 0	
	For every summons or other process for procuring the attendance of any person before the Court, or any Judge, or before the Chief Commissioner (same as in the Supreme Court Office in similar cases).		
	CHIEF AND OTHER COMMISSIONERS.		
	For presiding at meeting of creditors, in estates under £100 assets	15 0	
	For presiding at any meeting of creditors, per diem	15 0	
	For every proof of debt, to be paid by the person offering it	1 0	
	For swearing every affidavit, by the party sworn	1 0	
	For every affidavit, filed by the party using it	1 0	
	For every person examined, by the party producing him	1 0	
	For making up the minutes, and reporting when necessary the proceedings at any meetings of creditors	5 0	
	For every warrant for apprehension of insolvent	5 0	
	For every warrant of commitment of any person	7 6	
	MESSENGERS' FEES.		
	For making every attachment of person or property (the same as now paid for service of civil process of the Supreme Court, and mileage).		
	For making inventory and notice, and report to Commissioner	2 6	
	Copy of ditto	2 6	
	SHERIFF'S FEE.		
	For registering every order for sequestration, and delivering to Chief Commissioner	1 0	
			By the Judges of the Supreme Court, under the authority of the Act of the Colonial Legislature, 5 Vict., No. 17. See Rules and Orders of the Supreme Court, published in the <i>New South Wales Government Gazette</i> , dated 4 Jan., 1842.
		7 Vict., No. 19.	

Authority under which levied, or by which legalized.	SPECIFICATION OF FEES— <i>continued</i> .	Authority under which originally established.	At what Period.	
FEES TAKEN BY THE REGISTRARS OF THE SEVERAL DISTRICT COURTS.				
Governor & Executive Council, 27 Jan., 1871, 23 Mar., 1871 (under Act 22 Vict., No. 18.)	£ s. d.			
	For filing every plaint, issuing summons, &c... { In cases not exceeding £5 .. 0 3 6 In cases not exceeding £10 .. 0 6 0 In cases not exceeding £30 .. 0 10 0 In all other cases .. 1 0 0			
	For issuing every subpoena .. 0 1 0			
	For filing every plea .. { In cases not exceeding £5 .. 0 1 0 In cases not exceeding £10 .. 0 1 0 In cases not exceeding £30 .. 0 1 0 In all other cases .. 0 2 0			
	For issuing every writ of execution .. { In cases not exceeding £5 .. 0 2 0 In cases not exceeding £10 .. 0 2 6 In cases not exceeding £30 .. 0 5 0 In cases not exceeding £100 .. 0 5 0 In all other cases .. 0 7 6			
	For filing every confession, in cases not exceeding £30 .. 0 1 0 in all other cases .. 0 2 0			
	For every search .. 0 0 6			
	For every copy .. 0 0 6			
	For swearing every affidavit .. 0 1 0			
	For filing every affidavit .. 0 1 0			
	For every appointment to tax, in cases not exceeding £30 .. 0 2 6 in all other cases .. 0 3 6		} 22 Vict., No. 18..	12 Nov., 1858.
	For every summons to show cause in interlocutory matter, not exceeding £100 .. 0 1 0 in all other cases .. 0 2 0			
	For every certificate of judgment, in cases not exceeding £100 .. 0 2 6 in all other cases .. 0 3 6			
	For every order, in cases not exceeding £100 .. 0 1 0 in all other cases .. 0 2 0			
	For issuing every instalment form .. 0 1 0			
	For every writ of attachment, in cases not exceeding £30 .. 0 2 6 in all other cases .. 0 3 6			
	For every copy of execution against lands, in cases not exceeding £30 .. 0 2 6 in all other cases .. 0 3 6			
	Bailiff's notice of execution, in cases not exceeding £100 .. 0 1 0 in all other cases .. 0 2 0			
	For issuing every <i>ca. sa.</i> summons .. { In cases not exceeding £10 .. 0 1 0 In cases not exceeding £30 .. 0 2 6 In all other cases .. 0 5 0			
	For filing every notice of appeal .. 0 5 0 " jury demand .. 2 0 0			
	GOVERNMENT PRINTING OFFICE.			
	"GOVERNMENT GAZETTE."			
	By Notice in the <i>Govt. Gazette</i> , dated 6 Jan. 1860, and by Colonial Treasurer, 19 July, 1871.	To Subscribers, £1 10s. per annum; single copies for current year, 1s. each, and 1d. additional per copy for every back year.	Governor, by Notice in <i>Govt. Gazette</i> , and Colonial Treasurer ..	} 6 Jan., 1860. 19 July, 1871.
		ADVERTISEMENTS. At the rate of 3s. for the first eight lines (or under), and 3d. for every additional line.		
	By Colonial Treasurer, 3 July, 1863 ..	PARLIAMENTARY PAPERS. To Subscribers, £2 10s. per Session ..	By Colonial Treasurer ..	} 4 Jan., 1861.
		Separate copies of Bills, Acts, &c., at the rate of 3d. per sheet of four pages, up to four sheets; and 1d. for every sheet, or portion of a sheet, beyond four sheets.		
	By Notice in the <i>Govt. Gazette</i> , dated 15 Dec., 1865 ..	POUNDKEEPERS. For each animal described, 1s. ..	Ditto ..	} 27 Oct., 1865.

Authority under which levied, or by which legalized.	SPECIFICATION OF FEES— <i>continued.</i>	Authority under which originally established.	At what Period.
CORONERS.			
Act of Council, 6 Geo. IV, No. 20 (1 Nov., 1825)	Upon every inquisition taken upon view of the body slain, of the goods and chattels of him that is the slayer and murderer, if he have any	s. d. 13 4	Govt. Order .. 6 March, 1822.
	For every inquisition not taken upon view of a body dying in gaol, which shall be duly taken	20 0	
	And also, for every mile he shall be compelled to travel from the place of his usual abode to take such inquisition (to be paid from the Colonial Treasury) where no fee shall be paid	0 9	
	And for every inquisition taken on view of the body dying in prison, he shall be paid as much as the Judge of the Criminal Court shall allow, not exceeding	20 0	
ORDNANCE STOREKEEPER.			
RATES OF LIGHTERAGE FROM SHIPS OR VESSELS BY WHICH EXPLOSIVES ARE IMPORTED—(3rd Schedule).			
	For each package containing Cartridges (small ammunition)	s. d. 0 4	
	For each barrel or package containing 51 lbs. loose Gunpowder and upwards to 100 lbs., and for each package of Canister-powder containing 48 lbs. and upwards	0 3	
	For each barrel or package containing 50 lbs. loose Powder and under, and for each package of Canister-powder containing under 48 lbs.	0 2	
	Any other explosive to be liable to similar charges; but if the rates in any case shall not amount to 7s. 6d., the minimum charge, instead of the above rates, shall be	7 6	
RATES OF CHARGES FOR DELIVERY OF GUNPOWDER FROM MAGAZINES BY LAND AND WATER, TRANSPORT OR SEPARATELY (AS THE CASE MAY BE).			
40 Vic. No. 1 (27 June, 1876)	For one or any number up to ten barrels or packages, each containing not more than 50 lbs. of Gunpowder, but not exceeding 10 packages, to be conveyed by land and water at one time on each person's order, the minimum charge to be	s. d. 5 0	7 Wm. IV, No. 7 5 Vict., No. 11, 16 Vict., No. 47, 18 Vict., No. 21, 19 Vict., No. 6. 3 July, 1823.
	For every barrel or package, each containing not more than 50 lbs. of powder in excess of 10 packages conveyed by land and water, at per package	0 4	
	For one or any number up to ten of barrels or packages, each containing 51 lbs. of Gunpowder and up to 100 lbs., but not exceeding 10 packages, to be conveyed by land and water at one time on each person's order, the minimum charge to be	10 0	
	For every barrel or package, each containing 51 lbs. of powder and up to 100 lbs. in excess of 10 packages, to be conveyed by land and water, at per package	0 8	
	And in cases of land carriage (exclusive of railway carriage) and water transport being separately done in either of the foregoing cases, the charges shall be at half the rates hereinbefore stated.		
Any other explosive to be liable to similar charges.			

Authority under which levied, or by which legalized.	SPECIFICATION OF FEES— <i>continued.</i>	Authority under which originally established.	At what Period.		
ORDNANCE STOREKEEPER—<i>continued.</i>					
RATES OF STORAGE.					
40 Vic., No. 1 (27 June, 1876)	For each barrel or package containing upwards of 50 lbs. of Gunpowder, for any period not exceeding six weeks ..	s. d. 0 6	7 Wm. IV, No. 7 5 Vict., No. 11. 16 Vict., No. 47. 18 Vict., No. 21. 19 Vict., No. 6. 3 July, 1823		
	For each barrel or package containing upwards of 50 lbs. of Gunpowder, for any period above six weeks, per week ..	0 1			
	For each barrel or package containing 50 lbs. and under of Gunpowder, for any period not exceeding six weeks ..	0 3			
	For each barrel or package containing 50 lbs. and under of Gunpowder, for any period above six weeks, per week ..	0 0½			
	Any other explosive to be liable to similar charges.				
FEES FOR LICENSES.					
27 Vic., No. 9 (14 April, 1864)	For every license granted for a magazine	£ s. d. 2 0 0	27 Vic., No. 9.. 14 April, 1864.		
	For every special license	1 0 0			
	For every ordinary license.. .. .	0 10 0			
	For every license for registered premises	0 5 0			
CATTLE EXPORT ACT.					
SHEEP DISEASE PREVENTION ACT.					
Proclamation, dated 6 Jan., 1877	Owner of every 1,000 sheep, or portion of 1,000 sheep, per annum, 7s. 6d. (No contribution payable by any owner whose sheep do not exceed 500.)		3 Wm. IV, No. 5 31 Aug., 1832. 5 Wm. IV, No. 19 28 Oct., 1834. 6 Wm. IV, No. 10 9 Oct., 1835. 2 Vict., No. 12.. 29 Aug., 1838. 3 Vict., No. 27.. 9 June, 1840. 5 Vict., No. 22.. 26 May, 1842. 8 Vict., No. 3.. 1 Aug., 1844. 9 Vict., No. 10.. 27 Oct., 1845. 10 Vict., No. 8.. 30 Oct., 1846. 17 Vict., No. 27.. 24 Oct., 1853. 18 Vict., No. 26.. 18 Nov., 1854. 19 Vict., No. 27.. 22 Nov., 1855. 22 Vict., No. 10.. 7 Oct., 1858. 24 Vict., No. 9.. 26 Mar., 1861. 27 Vict., No. 3.. 22 Sept., 1863. 27 Vict., No. 6.. 18 Jan., 1864. 29 Vict., No. 13.. 27 Dec., 1865. 30 Vict., No. 16.. 6 Dec., 1866.		
	GLEBE ISLAND ABATTOIR.				
	SLAUGHTERING FEES—(Reserved Abattoir).				
	By Act of Council 14 Vic., No. 36, and Orders and Regulations of 3 Dec., 1864	For every ox, cow, bull, heifer, or steer (including an Inspection Fee of 3d.)		s. d. 1 0	14 Vic., No. 36.. 22 Aug., 1860. And Orders and Regulations of } 1 June, 1861.
		For every calf (including inspection fee)		0 6	
		For every sheep or lamb		0 1½	
		For every head of swine		0 6	
	INSPECTION FEE—(Leased Abattoir).				
	Act of Council 5 Wm. IV, No. 1 (4 July, 1834)..	For each head of horned cattle slaughtered		0 3	Govt. Order .. 20 May, 1811. Acts of Council— } 11 Geo. IV, No. 4 15 Mar., 1830. 2 Wm. IV, No. 15 15 Mar., 1832.
		INSPECTORS OF SLAUGHTER-HOUSES AND OF CATTLE INTENDED FOR SLAUGHTER.			
	IN THE SEVERAL TOWNS THROUGHOUT THE COLONY TO WHICH THE PROVISIONS OF THE ACT OF COUNCIL 5 Wm. IV, No. 1, HAVE BEEN EXTENDED.				
	INSPECTION OF CATTLE INTENDED FOR SALE.				
	INSPECTION OF CATTLE INTENDED FOR SALE.				
	INSPECTION OF CATTLE INTENDED FOR SALE.				

Authority under which levied, or by which legalized.	SPECIFICATION OF FEES— <i>continued.</i>	Authority under which originally established.	At what Period.																											
	INSPECTORS OF WEIGHTS AND MEASURES.																													
	FOR EXAMINING, COMPARING, AND STAMPING ALL WEIGHTS AND MEASURES WITHIN THEIR RESPECTIVE JURISDICTIONS.																													
	<table border="1" style="width: 100%; border-collapse: collapse;"> <thead> <tr> <th></th> <th style="text-align: center;">Brass Weights.</th> <th style="text-align: center;">Iron or other Metal Weights except Brass.</th> </tr> <tr> <th></th> <th style="text-align: center;">s. d.</th> <th style="text-align: center;">s. d.</th> </tr> </thead> <tbody> <tr> <td>½ cwt. each</td> <td style="text-align: center;">0 9</td> <td style="text-align: center;">0 3</td> </tr> <tr> <td>¼ " "</td> <td style="text-align: center;">0 6</td> <td style="text-align: center;">0 2</td> </tr> <tr> <td>Stone "</td> <td style="text-align: center;">0 4</td> <td style="text-align: center;">0 1</td> </tr> <tr> <td>Under a stone to 1 lb. inclusive.. .. . "</td> <td style="text-align: center;">0 1</td> <td style="text-align: center;">...</td> </tr> <tr> <td>Under a stone "</td> <td style="text-align: center;">...</td> <td style="text-align: center;">0 0½</td> </tr> <tr> <td>Under 1 lb... .. . "</td> <td style="text-align: center;">0 0½</td> <td style="text-align: center;">...</td> </tr> <tr> <td>Set of 1 lb and under "</td> <td style="text-align: center;">0 2</td> <td style="text-align: center;">0 2</td> </tr> </tbody> </table>		Brass Weights.	Iron or other Metal Weights except Brass.		s. d.	s. d.	½ cwt. each	0 9	0 3	¼ " "	0 6	0 2	Stone "	0 4	0 1	Under a stone to 1 lb. inclusive.. .. . "	0 1	...	Under a stone "	...	0 0½	Under 1 lb... .. . "	0 0½	...	Set of 1 lb and under "	0 2	0 2		
	Brass Weights.	Iron or other Metal Weights except Brass.																												
	s. d.	s. d.																												
½ cwt. each	0 9	0 3																												
¼ " "	0 6	0 2																												
Stone "	0 4	0 1																												
Under a stone to 1 lb. inclusive.. .. . "	0 1	...																												
Under a stone "	...	0 0½																												
Under 1 lb... .. . "	0 0½	...																												
Set of 1 lb and under "	0 2	0 2																												
	WOODEN MEASURES.																													
Act of Council 16 Vic., No. 34 (21 Dec., 1852).	Bushel each	0 3																												
	½ " "	0 2																												
	Peck, and all under "	0 1																												
	Yard "	0 0½																												
	COPPER OR OTHER METAL MEASURES OF CAPACITY OF LIQUIDS.																													
	5 gallons each	1 0																												
	4 " "	0 9																												
	3 " "	0 6																												
	2 " "	0 4																												
	1 " "	0 2																												
	½ " "	0 1																												
	1 quart and under "	0 0½																												
	DRUNKARDS PUNISHMENT ACT.																													
Act of the Parliament of New South Wales, 30 Vict., No. 5 (24 Sept., 1866).	Any person found drunk in any highway, street, road, or public place, liable, on conviction, to a fine or penalty not exceeding twenty shillings.																													
	Drunk and disorderly persons, on conviction, liable to a fine or penalty not exceeding forty shillings.	30 Vict., No. 5..	24 Sept., 1866.																											
	CLERKS AT POLICE OFFICES AND PETTY SESSIONS, AND CLERKS OF MAGISTRATES ACTING SINGLY.																													
Act of Council, 4 Wm. IV, No. 5 (16 July, 1833).	Summons, copy and serving	s. d. 2 6																												
	Subpoena, not including more than four names	1 6																												
	Copies of subpoenas to serve, each	0 4																												
	Drawing affidavits and informations in cases within the jurisdiction of the Magistrates, not exceeding one folio of 72 words ..	1 0																												
	For every additional folio	0 8																												
	Swearing the same	1 0																												
	Swearing any other affidavits, affidavits for military and naval pensions excepted	1 0																												
	Warrants to apprehend, in cases not felonious	2 6																												
	Recognizance, and notices of the nature thereof	5 0																												
	Warrant to distrain under Penal Acts	2 6																												
Act of Council, 16 Vic., No. 34.	Order of a Justice or Justices	1 0																												
	Drawing any other document required in the discharge of the police duties not enumerated above, per folio of 72 words ..	0 8																												
	Copy of proceedings, per folio of 72 words	0 4																												
	For copies of depositions to a prisoner committed to take his trial, per folio of 90 words.. .. .	0 1½																												
	For every weight or measure compared with the standards in their possession	0 3																												
		Proclamation ..	28 Oct., 1834.																											
		Act of Council } 4 Wm. IV, No. 4 }	24 Aug., 1832.																											

Authority under which levied, or by which legalized.	SPECIFICATION OF FEES— <i>continued.</i>	Authority under which originally established.	At what Period.																											
<p>Act of Council 6 } Wm. IV, No. 4 } (25 Aug., 1835) } Amended by Act } of the Parliam- } ent of New } South Wales, } 39 Vict., No. 6, } 22 July, 1875. } Came into force } 1 October. }</p>	<p style="text-align: center;">REGISTRATION OF DOGS.</p> <p style="text-align: center;">PAYABLE ANNUALLY.</p> <table border="0" style="width: 100%;"> <tr> <td style="width: 80%;">For each dog</td> <td style="width: 10%; text-align: center;">s. d.</td> <td style="width: 10%;"></td> </tr> <tr> <td></td> <td style="text-align: center;">2</td> <td style="text-align: center;">6</td> </tr> <tr> <td>For copy of Registration, or of any particulars thereof</td> <td style="text-align: center;">0</td> <td style="text-align: center;">6</td> </tr> </table> <p style="text-align: center;">IMPOUNDING.</p> <p style="text-align: center;">RATES OF DAMAGE TO BE CHARGED FOR TRESPASS.</p> <table border="0" style="width: 100%;"> <tr> <td style="width: 50%;"></td> <td style="width: 20%; text-align: center;">In any paddock of grass enclosed by a sufficient fence.</td> <td style="width: 20%; text-align: center;">In any garden, uncut meadow, or growing crop of any kind enclosed by a sufficient fence.</td> </tr> <tr> <td></td> <td style="text-align: center;">s. d.</td> <td style="text-align: center;">s. d.</td> </tr> <tr> <td>For every horse, mare, gelding, colt, filly, ass, mule, bull, cow, ox, heifer, steer, calf</td> <td style="text-align: center;">1</td> <td style="text-align: center;">4</td> </tr> <tr> <td>For every ram, ewe, sheep, or lamb</td> <td style="text-align: center;">0</td> <td style="text-align: center;">4</td> </tr> <tr> <td>For every goat }</td> <td style="text-align: center;">2</td> <td style="text-align: center;">6</td> </tr> <tr> <td>For every pig }</td> <td style="text-align: center;">0</td> <td style="text-align: center;">0</td> </tr> </table> <p style="text-align: center;">Entire horses and bulls above the age of one year, each £5. (In addition to authorized poundage fees.)</p>	For each dog	s. d.			2	6	For copy of Registration, or of any particulars thereof	0	6		In any paddock of grass enclosed by a sufficient fence.	In any garden, uncut meadow, or growing crop of any kind enclosed by a sufficient fence.		s. d.	s. d.	For every horse, mare, gelding, colt, filly, ass, mule, bull, cow, ox, heifer, steer, calf	1	4	For every ram, ewe, sheep, or lamb	0	4	For every goat }	2	6	For every pig }	0	0	<p>Act of Council, } 11 G. IV, No. 8 } Act of Council, } 2 W. IV, No. 8 }</p>	<p>14 April, 1830. 29 Feb., 1832.</p>
For each dog	s. d.																													
	2	6																												
For copy of Registration, or of any particulars thereof	0	6																												
	In any paddock of grass enclosed by a sufficient fence.	In any garden, uncut meadow, or growing crop of any kind enclosed by a sufficient fence.																												
	s. d.	s. d.																												
For every horse, mare, gelding, colt, filly, ass, mule, bull, cow, ox, heifer, steer, calf	1	4																												
For every ram, ewe, sheep, or lamb	0	4																												
For every goat }	2	6																												
For every pig }	0	0																												
<p>†Act of the Par- } liament of New } South Wales, } 29 Vict., No. 2. } 20 June, 1865.* } *Came into opera- } tion, 1 July, 1865 } † Amended by } Act, 32 Vict., } No. 11, 30 Mar., } 1869 }</p>	<p style="text-align: center;">RATES OF MILEAGE FOR DRIVING OR TAKING ANIMALS TO THE POUND.</p> <table border="0" style="width: 100%;"> <tr> <td style="width: 50%;"></td> <td style="width: 50%; text-align: center;">Per Mile.</td> </tr> <tr> <td>Every horse, mare, gelding, bull, cow, ox, heifer, steer, calf</td> <td style="text-align: center;">For the first, 3d., and for every other trespassing and impounded at the same time, ½d.</td> </tr> <tr> <td>Every 100 rams, ewes, sheep, or lambs, or under that number</td> <td style="text-align: center;">6d. for the first, 1d. for every hundred or portion of a hundred above that number.</td> </tr> <tr> <td>Every goat</td> <td style="text-align: center;">£ s. d. 0 0 0½</td> </tr> <tr> <td>Every pig</td> <td style="text-align: center;">0 1 0</td> </tr> </table> <p>NOTE.—The term “cattle” to include bulls, cows, oxen, heifers, steers, and calves. The term “horses” to include horses, mares, geldings, colts and fillies, asses, mules, and foals. The term “sheep” to include rams, ewes, wethers, and lambs. The term “animal” to include cattle, horses, sheep, goats, and swine, whether one or more.</p>		Per Mile.	Every horse, mare, gelding, bull, cow, ox, heifer, steer, calf	For the first, 3d., and for every other trespassing and impounded at the same time, ½d.	Every 100 rams, ewes, sheep, or lambs, or under that number	6d. for the first, 1d. for every hundred or portion of a hundred above that number.	Every goat	£ s. d. 0 0 0½	Every pig	0 1 0	<p>Government } Order } Acts of Council— } 4 Wm. IV, No. 3 } 19 Vict., No. 36. }</p>	<p>21 Sept., 1811. 12 July, 1833. 18 Dec., 1855.</p>																	
	Per Mile.																													
Every horse, mare, gelding, bull, cow, ox, heifer, steer, calf	For the first, 3d., and for every other trespassing and impounded at the same time, ½d.																													
Every 100 rams, ewes, sheep, or lambs, or under that number	6d. for the first, 1d. for every hundred or portion of a hundred above that number.																													
Every goat	£ s. d. 0 0 0½																													
Every pig	0 1 0																													

ACCOUNTS, WEIGHTS, AND MEASURES

No. 115.

<p>ACCOUNTS KEPT IN Pounds, Shillings, and Pence.</p>	<p>WEIGHTS. The Weights in use are the Standard Imperial Weights of Great Britain as regulated by the Act of Council 16 Victoria, No. 34. By this Act, Gold, Silver, Platina, Diamonds, or other Precious Stones, are to be sold by Troy Weight, and Drugs, when sold by retail, may be sold by Apothecaries' Weight.</p>	<p>MEASURES. The Measures in use are the Standard Imperial Measures of Great Britain, as regulated by the Act of Council 16 Victoria, No. 34.</p>
---	---	---

COURSE OF EXCHANGE.

No. 116.—RETURN showing the RATE per Cent. per annum DISCOUNT on LOCAL BILLS, and the RATE of EXCHANGE ON BILLS ON LONDON, in the Year 1877.

BANKS.	Period.		Rate per Cent. per Annum Discount on Local Bills.									Rate of Exchange on Bills on London at 60 days' sight.			
	From	To	Under 65 days' Currency.	Under 66 days' Currency.	From 65 to 95 days' Currency.	From 66 to 95 days' Currency.	From 95 to 125 days' Currency.	From 96 to 126 days' Currency.	Above 95 days' Currency.	Above 125 days' Currency.	Above 126 days' Currency.	Maximum Purchase Rate.	Minimum Purchase Rate.	Maximum Selling Rate.	Minimum Selling Rate.
New South Wales	1 Jan	31 Dec.	6	7	8	9	9	9	9	9	9	1/4 prem.	1/4 disc.	1 1/2 prem.	3/4 prem.
Commercial	do	do	6	7	8	8	8	8	8	8	8	1/4 prem.	1/4 disc.	1 1/4 prem.	3/4 prem.
Australasia	do	do	6	7	8	8	8	8	8	8	8	Par.	Par.	1 prem.	1 prem.
Union of Australia	do	do	6	7	8	8	8	8	8	8	8	1/4 disc.	Par.	1 prem.	3/4 prem.
Australian Joint Stock	do	do	6	7	8	8	8	8	8	8	8	1/4 prem.	1/4 disc.	1 prem.	3/4 prem.
London Chartered	1 Jan 2 Mar	1 Mar 31 Dec.	6	7	8	8	8	8	8	8	8	1/4 disc. Par.	1/4 disc. Par.	3/4 prem. 1 prem.	3 prem. 1 prem.
English, Scottish, and Australian Chartered	1 Jan	31 Dec.	6	7	8	8	8	8	8	8	8	1/4 disc.	Par.	1 prem.	3/4 prem.
Oriental Chartered	do	do	6	7	8	8	8	8	8	8	8	3/4 prem.	1/4 disc.	1 prem.	3/4 prem.
City	do	do	6	7	8	8	8	8	8	8	8	1/4 prem.	1/4 disc.	1 prem.	3/4 prem.
Mercantile	do	do	6	7	8	8	8	8	8	8	8	Par.	1/2 disc.	1 prem.	3/4 prem.

RATES OF INTEREST.

No. 117.—RETURN showing the RATES OF INTEREST allowed to DEPOSITORS by the BANKS in the Year 1877.

Banks.	Period.		Rates of Interest allowed on Deposits for		
	From	To	3 Months.	6 Months.	12 Months.
Bank of New South Wales	1 January ...	31 December	3	4	5
Commercial Bank	do ...	do ...	3	4	5
Bank of Australasia	do ...	do ...	3	4	5
Union Bank of Australia	do ...	do ...	3	4	5
Australian Joint Stock Bank	do ...	do ...	3	4	5
London Chartered Bank	do ...	do ...	3	4	* 5 to 5½
English, Scottish, and Australian Chartered Bank	do ...	do ...	3	4	5
Oriental Chartered Bank	do ...	do ...	3	4	5
City Bank	do ...	do ...	3	4	5
Mercantile	do ...	do ...	3	4	5

* On deposits for 12 months and longer.

COIN AND BULLION.

No. 118.—RETURN showing the amount of COIN and BULLION in the Mint, Colonial Treasury, and the Banks in the Colony, on 31st December, 1877.

	On 31st December.			Average of the Year.		
	British Coin and Australian Sovereigns.	Bullion Gold.	Total.	British Coin and Australian Sovereigns.	Bullion Gold.	Total.
	£ s. d.	£ s. d.	£ s. d.	£ s. d.	£ s. d.	£ s. d.
In the Mint	100 0 0	34,170 11 6	* 34,270 11 6
In the Colonial Treasury
Banks.						
New South Wales	552,916 0 8	57,507 8 0	610,423 8 8	823,703 10 4	40,797 0 1	864,500 10 5
Commercial	664,417 8 1	8,274 6 7	672,691 14 8	646,273 6 0	6,287 2 10	652,560 8 10
Australasia	146,545 2 0	146,545 2 0	202,072 19 0	202,072 19 0
Union of Australia	149,549 16 0	149,549 16 0	190,139 2 11	135 9 8	190,274 12 7
Australian Joint Stock	389,563 17 5	7,678 19 1	397,242 16 6	285,354 2 6	13,742 0 8	299,096 3 2
London Chartered	93,438 11 8	93,438 11 8	63,241 18 5	63,241 18 5
English, Scottish, and Australian Chartered	43,804 14 3	43,804 14 3	60,551 10 0	60,551 10 0
Oriental Chartered	103,332 4 3	13,879 13 11	117,211 18 2	138,347 9 4	8,289 12 10	146,637 2 2
City	177,325 7 6	18,682 14 9	196,008 2 3	116,729 13 2	15,105 10 2	131,835 3 4
Mercantile	114,233 3 6	114,233 3 6	99,392 10 9	99,392 10 9
General Total	£ 2,435,226 5 4	140,193 13 10	2,575,419 19 2	2,625,806 2 5	84,356 16 3	2,710,162 18 8

* Exclusive of £2,322 12s. 1d. received after the closing of the Mint books on 31st December.

STATISTICS—1877.

233

COIN AND BULLION—*continued.*

No. 119.—DECENNIAL RETURN showing the Amount of COIN and BULLION in the Branch Royal Mint and the Banks, on 31st December, in each Year.

Year.	Branch Royal Mint.		Banks.		Total.	Increase on previous Year.	Decrease on previous Year.
	Coin.	Bullion.	Coin.	Bullion.			
	£ s. d.	£ s. d.	£ s. d.	£ s. d.	£ s. d.	£ s. d.	£ s. d.
1868	43,949 5 9	2,224,268 15 0	111,698 3 2	2,379,916 3 11	598,098 12 9
1869	48,675 16 11	1,305,789 15 4	37,778 5 10	1,392,243 18 1	987,672 5 10
1870	24,703 4 8	1,352,842 10 8	70,366 12 10	1,447,912 8 2	55,668 10 1
1871	41,937 8 10	{ 2,413,131 16 6 } *12 0 0	67,306 12 7	2,522,387 17 11	1,074,475 9 9
1872	790 0 0	86,271 8 0	2,693,154 5 9	72,831 10 11	2,853,047 4 8	330,659 6 9
1873	804 0 0	98,694 18 4	1,970,074 11 8	39,202 19 8	2,108,776 9 8	744,270 15 0
1874	65 0 0	136,904 8 3	2,283,353 3 4	102,211 7 0	2,522,533 18 7	413,757 8 11
1875	100 0 0	67,383 13 0	2,525,698 1 7	111,826 18 11	2,705,008 13 6	182,474 14 11
1876	100 0 0	85,161 10 11	2,732,103 19 0	62,051 8 6	2,879,416 18 5	174,408 4 11
1877	100 0 0	†34,170 11 6	2,435,126 5 4	106,023 2 4	2,575,419 19 2	303,996 19 3

* In the Colonial Treasury.

† Exclusive of £2,322 12s. 1d. received after the closing of the Mint Books on 31 December.

COINS IN CIRCULATION.

No. 120.

The Coins in circulation are the Coins of Great Britain, and the Sovereigns and Half-sovereigns coined at the Sydney Branch of the Royal Mint and the Melbourne Branch of the Royal Mint, all of which are current at their sterling value.

AMOUNT OF PAPER CURRENCY IN CIRCULATION.

No. 121.—RETURN showing the Amount of NOTES of the several BANKS in Circulation on 31st December, 1877.

BANKS.	ON 31 DECEMBER, 1877.		AVERAGE OF THE YEAR.	
	£	s. d.	£	s. d.
New South Wales	420,644	0 0	364,870	10 10
Commercial	358,176	10 0	331,886	0 9
Australasia	64,061	0 0	55,776	14 5
Union of Australia	22,241	0 0	21,981	0 0
Australian Joint Stock	206,086	10 0	190,846	13 5
London Chartered	16,204	0 0	18,039	0 0
English, Scottish, and Australian Chartered	45,963	10 0	39,081	13 2
Oriental Chartered	46,131	0 0	44,008	0 0
City	53,687	0 0	53,522	2 1
Mercantile	8,887	0 0	9,237	4 5
Total	£ 1,242,081	10 0	1,129,248	19 1

BANK LIABILITIES AND ASSETS.

No. 122.—GENERAL ABSTRACT of the Sworn Returns, rendered pursuant to the Act of Council 4th Victoria, No. 13, of the AVERAGE ASSETS and LIABILITIES, and of the CAPITAL and PROFITS, of the undermentioned BANKS of the Colony, for each Quarter of the Year 1877.

BANKS.	LIABILITIES.						ASSETS.							CAPITAL AND PROFITS.			
	Notes in Circulation.	Bills in Circulation.	Balances due to other Banks.	Deposits not bearing Interest.	Deposits bearing Interest.	Total Liabilities.	Coin.	Bullion.	Landed Property.	Notes and Bills of other Banks.	Balances due from other Banks.	Notes and Bills discounted, and all other Debts due to the Banks.	Total Assets.	Capital paid up.	Rate per Annum of last Dividend.	Amount of Dividend.	Amount of Reserved Profits at the time of declaring such Dividend.
	£ s. d.	£ s. d.	£ s. d.	£ s. d.	£ s. d.	£ s. d.	£ s. d.	£ s. d.	£ s. d.	£ s. d.	£ s. d.	£ s. d.	£ s. d.	£ s. d.		£ s. d.	£ s. d.
FIRST QUARTER.																	
New South Wales ..	369501 4 7	2361 14 5	98040 12 0	1770256 16 0	2958080 16 2	5204271 3 2	1002169 17 6	35027 14 3	103291 9 3	13077 5 10	1907309 9 2	3587293 15 6	6643169 11 6	1000000 0 0	^a 10 cent. & bonus of 2½ cent. per annum	73000 0 0	410000 0 0
Commercial ..	345402 6 11	6136 17 4	49272 17 9	1424532 4 6	2474230 6 0	4299674 12 6	702922 8 7	5963 5 11	70373 0 1	24119 8 6	475225 2 1	4026692 8 9	5305295 13 11	500000 0 0	25 cent.	62500 0 0	410123 15 1
Australasia ..	53503 15 4	5872 3 2	303432 18 2	659750 7 8	1022609 4 4	145539 14 10	40236 0 8	3937 16 9	914433 15 0	1104297 7 3	1200000 0 0	12½ cent.	75000 0 0	382242 5 7
Union of Australia ..	22161 1 8	8993 16 6	162034 4 2	658327 19 2	851567 1 6	113906 10 7	125 1 3	16000 0 0	4819 12 1	479324 19 10	614176 3 9	1250000 0 0	16 cent.	100000 0 0	508236 10 9
Australian Joint Stock	199660 0 10	6823 10 7	13192 4 7	734066 14 10	1106153 4 6	2059895 15 4	276137 8 6	13547 12 6	57810 14 6	15435 16 8	574035 16 2 and Branches	1754308 16 9	2691826 5 1	500000 0 0	¹⁰ 4 cent. & bonus of 1s. per share.	28125 0 0	108636 18 8
London Chartered of Australia.	17525 10 9	663 18 7	22 6 6	43585 4 3	358642 18 2	420444 18 3	80257 6 2	23513 17 6	1018 0 7	1207 15 0	444364 6 2	550361 5 5	1000000 0 0	8 cent.	40000 0 0	169384 4 8
English, Scottish, and Australian Chartered	33293 13 1	2331 10 2	2425 17 4	112831 3 7	461063 15 5	611950 10 7	61026 13 1	23913 10 11	643 13 10	4100 0 9	637236 1 3	726919 19 10	600000 0 0	8 cent.	24000 0 0	70000 0 0
Oriental Chartered ..	43533 0 0	1568 10 7	83361 18 10	173923 3 3	743922 2 7	1046313 15 3	145623 18 5	6297 10 8	27265 2 6	2005 0 0	301984 7 6	769810 0 7	1252935 19 8	1500000 0 0	10 cent.	75000 0 0	500000 0 0
City ..	53053 18 7	104 0 5	31232 7 3	242714 1 4	623670 0 6	955324 8 1	128807 15 0	16018 11 5	20765 7 8	1115 0 0	99403 2 4	958473 10 8	1224533 6 8	240000 0 0	8 cent.	9600 0 0	18069 5 1
Mercantile Bank of Sydney	9028 8 7	531 14 2	112035 17 8	541365 16 5	663561 16 10	103307 7 11	420 16 10	64317 0 8	746179 7 7	914224 13 0	200000 0 0	12½ cent.	10625 0 0	57150 10 2
TOTALS ..	£1152273 0 4	34361 1 9	278129 18 5	5085592 7 9	10536257 6 7	17136113 14 10	2759749 0 7	76979 16 0	333219 3 1	66692 11 1	3427532 13 3	14318617 1 8	21032840 6 1	7990000 0 0	512350 0 0	2634343 10 0
SECOND QUARTER.																	
New South Wales ..	350638 16 1	3141 4 2	77987 14 9	1730990 14 0	3062634 13 0	5234443 2 0	893114 14 4	40922 15 7	107445 15 8	10237 1 7	1085430 14 1	3967941 19 11	6705143 1 2	1000000 0 0	^a 15 cent. & bonus of 2½ cent.	87500 0 0	420000 0 0
Commercial ..	326918 17 8	6306 9 2	45617 11 10	1392331 1 2	2583722 6 8	4354946 6 6	663935 8 7	6469 19 3	73390 0 3	21817 11 9	433344 6 5	4073481 4 6	5322933 11 2	500000 0 0	25 cent.	62500 0 0	436257 14 6
Australasia ..	54727 10 10	8783 1 10	307860 10 0	706240 15 2	1077625 17 10	219363 0 1	33372 9 3	3339 13 1	896211 17 9	1152737 0 2	1200000 0 0	12½ cent.	75000 0 0	242123 0 0
Union of Australia ..	22019 2 9	11101 0 10	175332 3 3	638555 3 3	847057 10 1	150367 1 9	88 18 7	16000 0 0	6265 17 0	523499 14 4	696221 11 8	1250000 0 0	16 cent.	100000 0 0	508236 10 9
Australian Joint Stock	185751 3 7	4696 15 3	15422 6 3	702201 12 11	1148234 13 10	2056306 16 10	236623 15 9	12624 6 11	58304 2 7	13732 12 10	544647 5 8	1309596 12 9	2675533 16 6	500000 0 0	¹⁰ 4 cent. & bonus of 1s. per share.	28125 0 0	108636 18 8
London Chartered of Australia.	18133 0 0	1638 5 6	1260 18 10	42437 19 5	372232 15 4	435152 19 1	63813 3 10	23525 8 9	785 12 11	351 7 6	472545 6 0	561020 19 0	1000000 0 0	8 cent.	40000 0 0	172513 9 10
English, Scottish, and Australian Chartered	38954 13 4	2744 1 0	2321 0 3	127571 3 8	478950 3 1	651041 1 4	45116 2 7	24097 13 2	783 10 0	4487 8 6	764194 15 4	838679 9 7	600000 0 0	8 per cent.	24000 0 0	70000 0 0
Oriental Chartered ..	42423 0 0	2393 13 9	75375 3 4	178390 18 5	801514 6 6	1101107 2 0	136805 18 8	8513 0 9	27309 7 9	1826 0 0	332660 15 6	806408 14 7	1313613 17 3	1500000 0 0	10 cent.	75000 0 0	500000 0 0
City ..	53234 0 9	174 7 3	12952 12 10	24322 16 3	673673 19 11	938357 17 0	120390 0 11	12004 15 11	20650 0 0	1275 19 0	85362 19 10	1019961 0 3	1260744 15 11	240000 0 0	8 cent.	9600 0 0	18069 5 1
Mercantile Bank of Sydney.	9330 15 4	1036 2 10	103395 11 11	541009 19 1	660322 9 2	113392 13 11	410 11 6	54127 11 7	771261 0 1	939691 17 1	200000 0 0	12½ cent.	10625 0 0	57150 10 2
TOTALS ..	£1111636 0 4	40883 18 9	233023 10 11	5013934 11 0	11066328 0 10	17406361 1 10	2643427 0 5	81223 17 0	334594 17 10	60524 9 8	3191412 9 1	15105192 5 6	21466374 19 6	7990000 0 0	512350 0 0	25329 87 9 0

^a Equal to dividend of 17½ per cent. per annum. ^b Including £238,001 15s. 11d., average amount of Government Securities held. ^c Dividend 14 per cent. and bonus 5s. per share. ^d Including £504,166 13s. 4d., Government Securities held. ^e Including £277,664 9s. 4d., average amount of Government Securities held.

No. 122 (continued).—GENERAL ABSTRACT OF BANK LIABILITIES AND ASSETS, &c.—continued.

BANKS.	LIABILITIES.						ASSETS.							CAPITAL AND PROFITS.			
	Notes in Circulation.	Bills in Circulation.	Balances due to other Banks.	Deposits not bearing Interest.	Deposits bearing Interest.	Total Liabilities.	Coin.	Bullion.	Landed Property.	Notes and Bills of other Banks.	Balances due from other Banks.	Notes and Bills discounted, and all other Debts due to the Banks.	Total Assets.	Capital paid up.	Rate per Annum of last Dividend.	Amount of Dividend.	Amount of Reserved Profits at the time of declaring such Dividend.
	£ s. d.	£ s. d.	£ s. d.	£ s. d.	£ s. d.	£ s. d.	£ s. d.	£ s. d.	£ s. d.	£ s. d.	£ s. d.	£ s. d.	£ s. d.	£ s. d.		£ s. d.	£ s. d.
THIRD QUARTER.																	
New South Wales ..	352098 10 0	2830 18 6	50658 17 9	1699528 13 7	3023139 2 4	5128256 2 2	606674 1 3	47298 4 6	110874 17 4	11263 3 0	1587598 3 2	4187452 10 10	6591161 0 1	1000000 0 0	17½ per cent.	87500 0 0	420000 0 0
Commercial ..	319994 8 5	4035 1 7	45758 13 1	1388239 3 0	2650585 18 9	4408613 4 10	659074 7 11	5677 16 5	74645 6 10	21322 11 0	453108 17 8	4223176 15 1	5437005 14 11	500000 0 0	25 per cent.	62500 0 0	430257 14 6
Australasia ..	59695 1 6	5581 1 2	285845 12 4	712249 18 11	1062871 13 11	248576 0 11	29000 0 0	4214 3 4	907459 12 7	1184249 16 10	1200000 0 0	12½ per cent.	75000 0 0	393701 0 0
Union of Australia ..	21880 13 4	7693 9 2	170012 11 3	645294 2 7	844880 16 4	145235 12 6	424 17 6	16000 0 0	6106 10 3	623022 11 7	790739 11 10	1250000 0 0	16 per cent.	100000 0 0	529367 12 7
Australian Joint Stock	181809 16 8	4428 6 6	11883 2 11	690322 18 3	1172594 7 11	2061088 12 3	277148 9 8	14593 17 5	58381 5	13288 13 4	471885 0 11	1862729 10 6	2698026 17 5	500000 0 0	10 per cent. & bonus of 1s. per share.	28125 0 0	116731 6 3
London Chartered of Australia.	18609 16 4	426 13 4	430 6 4	41509 17 6	380475 19 11	441452 13 5	47573 0 5	23527 15 10	874 1 5	301 3 6	476215 2 10	548491 4 0	1000000 0 0	8 per cent.	40000 0 0	172513 9 10
English, Scottish, and Australian Chartered	40020 19 3	3186 5 11	2181 2 2	132490 16 1	501826 17 7	679706 1 0	64646 12 8	25406 6 11	660 7 8	5158 6 0	861596 14 5	957558 7 8	600000 0 0	8 per cent.	24000 0 0	70000 0 0
Oriental Chartered ..	44825 0 0	4304 1 6	104263 6 9	191136 13 8	776276 13 5	1120805 15 4	149711 16 4	9710 15 2	27340 19 5	2076 0 0	289219 9 3	848803 11 11	1326862 12 1	1500000 0 0	10 per cent.	75000 0 0	500000 0 0
City ..	50996 16 11	77 14 3	40363 6 4	282004 19 11	706244 17 10	1079687 15 3	111880 2 10	23894 6 5	20150 0 0	1651 1 6	71324 17 8	1125744 12 11	1354645 1 4	240000 0 0	8 per cent.	9600 0 0	24988 9 11
Mercantile Bank of Sydney.	9020 18 5	1772 12 6	186045 5 10	529952 17 6	726791 14 3	96384 6 10	489 7 8	50411 15 0	858852 18 10	1006138 8 4	200000 0 0	12½ per cent.	11875 0 0	62936 4 9
TOTALS ..	£1098952 0 10	32563 11 11	257311 7 10	5066636 11 5	11098640 16 9	17554104 8 9	2491904 11 4	101599 17 5	385416 11 11	61945 19 2	2929007 13 2	15925054 1 6	21894928 14 6	7990000 0 0	513600 0 0	2726495 17 10
FOURTH QUARTER.																	
New South Wales ..	378243 12 10	11056 2 1	41519 11 1	1700281 15 6	3154228 12 9	5285329 14 3	702855 8 1	39399 6 1	113232 10 6	9900 12 10	1908057 2 8	4039398 0 9	6813383 0 11	1000000 0 0	15 per cent. and bonus of 2½ per cent.	87500 0 0	430000 0 0
Commercial ..	335228 10 0	3051 16 7	62006 16 8	1371660 3 5	2664257 5 1	4436204 11 9	559160 18 11	7037 9 9	76669 2 5	22572 2 2	406630 12 5	4372945 19 7	5445016 5 3	500000 0 0	25 per cent.	62500 0 0	462877 0 5
Australasia ..	55180 10 0	6838 7 2	298534 9 10	700681 16 10	1061235 3 10	199763 0 3	29097 18 9	2461 10 10	878776 7 10	1110098 17 8	1200000 0 0	12½ per cent.	75000 0 0	393701 0 0
Union of Australia ..	21980 19 3	5537 14 7	165938 14 1	666647 6 7	800104 14 6	190139 2 11	135 9 8	10000 0 0	5023 15 0	589709 18 4	801008 5 11	1250000 0 0	14 per cent. & bonus of 5s. per share.	100000 0 0	529367 12 7
Australian Joint Stock	196165 12 10	5180 12 2	16743 14 11	712323 5 1	1142905 13 6	2073318 18 6	351501 16 3	14202 5 10	58575 13 5	12639 10 0	396979 11 10	1867359 0 11	2701257 18 3	500000 0 0	10 per cent. & bonus of 1s. per share.	28125 0 0	116731 6 3
London Chartered of Australia.	17889 17 1	329 8 4	37 7 10	48790 4 9	369730 7 9	436777 5 9	61324 3 5	23527 15 10	2328 4 5	2370 0 5	465309 7 5	554859 11 6	1000000 0 0	8 per cent.	40000 0 0	169047 0 9
English, Scottish, and Australian Chartered	44052 7 2	6650 10 11	627 4 4	151096 1 2	509814 11 1	712240 14 8	71416 17 7	25785 13 6	452 12 10	8312 7 10	945284 14 8	1051252 6 5	600000 0 0	8 per cent.	24000 0 0	70000 0 0
Oriental Chartered ..	45244 0 0	3386 9 2	107106 1 3	179339 0 2	749801 4 5	1084876 15 0	121248 3 11	8637 1 9	27341 3 3	2029 0 0	244416 17 9	886192 3 3	1289864 9 11	1500000 0 0	10 per cent.	75000 0 0	500000 0 0
City ..	51803 12 1	129 19 2	9812 9 2	273163 12 3	728072 11 7	1062982 4 3	105840 13 10	7904 7 0	20042 17 2	1944 10 0	61003 10 9	1141910 1 0	1338645 19 9	240000 0 0	8 per cent.	9600 0 0	24988 9 11
Mercantile Bank of Sydney.	8468 15 5	2373 18 11	177585 16 2	560190 18 7	748619 9 1	85882 8 4	782 17 0	58307 17 9	1882280 19 9	1027254 2 10	200000 0 0	12½ per cent.	11875 0 0	62936 4 9
TOTALS ..	£1154257 16 8	42161 0 2	240227 4 2	5078713 2 5	11246330 8 2	17761689 11 7	2449132 13 6	77356 0 1	390272 14 10	60134 15 1	3086078 1 5	16069166 13 6	22132640 18 5	7990000 0 0	513600 0 0	2760248 14 8

* Includes £502,564 2s. 6d., Government Securities held. ^b 15 per cent. per annum and bonus of 2½ per cent. per annum. ^c Includes £167,549 8s. 10d., average amount of Government Securities held. ^d Dividend 14 per cent. and bonus 5s. per share.
 • Including New South Wales Government Debentures, £27,300. ^f Includes £500,000 of Government Securities. ^e Equal to dividend of 17½ per cent. per annum. ^h Dividend £75,000; bonus, £12,500. ^g Includes £204,837 2s. 1d., average amount of Government Securities held. ⁱ Equal to dividend of 16 per cent. per annum. ^k Equal to dividend of 11½ per cent. per annum. ^j Includes £27,300 of New South Wales Government Debentures.

NEW SOUTH WALES SAVINGS' BANK.

No. 123.—RETURN of the NEW SOUTH WALES SAVINGS' BANK, showing the Number of DEPOSITORS, Amount of DEPOSITS, INVESTMENTS, &c., &c., on 31st December, 1877.

Sydney :—	£	s.	d.		£	s.	d.
Amount at credit of 25,056 Depositors...	1,056,145	0	7	Lent on 516 Mortgages, with Interest...	618,990	0	2
				Investment in Interminable Debentures, with Interest at £5 per cent. per annum ...	25,625	0	0
				Investment in Consolidated Revenue Debentures, with Interest at £5 per cent. per annum.	86,305	0	0
Country Districts :—				Investment in Queensland Consolidated Revenue Debentures, with Interest at £6 per cent. per annum ...	51,500	0	0
Amount at credit of 7,164 Depositors ...	299,113	2	6	Deposit with the Bank of New South Wales, with Interest ...	20,819	3	7
	1,355,258	3	1	Ditto (Working Account) ...	42,878	10	8
Drafts drawn by Branch Accountants upon the Office in Sydney, and included in their Returns, but not paid on 31st December, 1877 ...	1,002	9	11	Deposit with Commercial Bank, with Interest	108,739	13	3
				Deposit with City Bank, with Interest	86,767	16	2
				Deposit with Oriental Bank, with Interest ...	66,470	19	4
				Deposit with English, Scottish, and Australian Chartered Bank, with Interest ...	94,216	3	4
Amount at the credit of Reserved Fund ...	140,000	0	0	Deposit with Mercantile Bank, with Interest...	44,327	2	7
				Deposit with Union Bank, with Interest ...	40,006	0	6
				Deposit with Australian Joint Stock Bank, with Interest ...	80,788	12	9
Depreciation Account ...	12,741	19	4	Deposit with London Chartered Bank, with Interest ...	50,973	19	6
				Deposit with Bank of Australasia, with Interest	71,067	8	0
				Deposit with Bank of New Zealand, with Interest ...	29,784	13	3
Amount at the credit of Profit and Loss Account, carried to next year to meet future Interest ...	15,690	4	4	Permanent Investment, Land and Banking House ...	3,000	0	0
				Cash received from Branch Accountants, after 31st December, 1877, but included in their Returns ...	2,432	13	7
	£ 1,524,692	16	8		£ 1,524,692	16	8

Rate of Interest paid to Depositors on amounts not exceeding £100 5 per cent. per annum.

Rate of Interest charged for money lent on Mortgage 5 " "

NEW SOUTH WALES SAVINGS' BANK—*continued.*

No. 124.—DECENNIAL RETURN showing the Number of DEPOSITORS and the Amount of DEPOSITS in the SAVINGS' BANK OF NEW SOUTH WALES, distinguishing the Number of Depositors and the Amount of Deposits of sums under £20, between £20 and £50, between £50 and £100, between £100 and £200, between £200 and £300, and £300 and upwards.

Year.	Number and Amount of Deposits.													
	£20 and under.		Between £20 and £50.		Between £50 and £100.		Between £100 and £200.		Between £200 and £300.		£300 and upwards.		Total.	
	No.	Amount.	No.	Amount.	No.	Amount.	No.	Amount.	No.	Amount.	No.	Amount.	No.	Amount.
		£ s. d.		£ s. d.		£ s. d.		£ s. d.		£ s. d.		£ s. d.		£ s. d.
1868	9,951	71,513 17 1	4,376	139,597 6 1	3,223	227,529 14 1	2,766	329,562 5 5	325	71,118 2 8	66	35,600 1 1	20,797	874,921 6 5
1869	10,860	75,149 11 10	4,796	152,477 14 8	3,612	255,772 12 8	3,425	384,812 14 2	130	30,412 4 7	80	45,566 5 9	22,903	944,191 3 8
1870	11,585	77,298 8 0	4,754	152,054 13 8	3,731	265,948 19 4	3,312	371,561 16 5	113	26,274 10 11	75	43,326 2 10	23,570	936,464 11 2
1871	11,274	67,650 10 6	4,846	155,935 0 10	3,778	269,367 0 10	3,344	373,527 13 11	120	27,327 3 11	65	37,880 19 10	23,427	931,688 9 10
1872	12,379	70,994 7 0	5,080	163,959 2 10	4,014	286,777 15 8	3,993	434,527 10 10	101	24,272 11 0	84	48,206 5 2	25,561	1,028,737 12 6
1873	12,739	73,971 7 2	5,420	174,686 6 1	4,545	325,372 10 11	4,533	503,236 15 0	129	30,300 0 6	95	56,993 18 3	27,461	1,164,560 17 11
1874	13,358	74,264 8 9	5,696	184,217 3 5	4,888	350,590 17 6	5,170	571,461 12 9	127	31,060 16 0	101	64,307 1 7	29,340	1,275,902 0 0
1875	14,152	79,493 2 3	5,607	185,132 18 2	4,887	350,188 7 2	5,267	582,273 11 2	148	34,435 5 7	97	64,273 16 0	30,158	1,295,797 0 4
1876	14,695	81,382 6 9	5,942	192,593 14 8	4,946	355,447 13 2	5,170	570,672 6 5	151	35,052 4 10	99	68,664 6 6	31,003	1,303,812 12 4
1877	15,337	83,390 19 9	6,062	205,938 6 2	5,229	373,299 16 5	5,329	576,924 10 7	151	35,368 19 1	112	80,335 11 1	32,220	1,355,258 3 1

No. 125.—DECENNIAL RETURN showing the Increase or Decrease of DEPOSITS, and of the Number of DEPOSITORS, with the Number of NEW ACCOUNTS opened, and OLD ACCOUNTS closed, in the NEW SOUTH WALES SAVINGS BANK.

Year.	Amount of Deposits on 1 January.	Increase on previous Year.	Decrease on previous Year.	Number of Depositors on 1 January.	New Accounts opened during the Year.	Old Accounts closed during the Year.	Increase.	Decrease.
	£ s. d.	£ s. d.	£ s. d.					
1868.....	711,245 19 9	3,430 16 7	18,487	7,081	4,861	2,220
1869.....	874,921 6 5	163,675 6 8	20,707	7,412	5,216	2,196
1870.....	944,191 3 8	69,269 17 3	22,903	6,538	5,871	667
1871.....	936,464 11 2	7,726 12 6	23,570	6,823	6,966	143
1872.....	931,688 9 10	4,776 1 4	23,427	7,302	5,168	2,134
1873.....	1,028,737 12 6	97,049 2 8	25,561	7,732	5,832	1,900
1874.....	1,164,560 17 11	135,823 5 5	27,461	6,293	4,414	1,879
1875.....	1,275,902 0 0	111,341 2 1	29,340	7,609	6,791	818
1876.....	1,295,797 0 4	19,895 0 4	30,158	7,762	6,817	945
1877.....	1,303,812 12 4	8,015 12 0	31,003	7,996	6,779	1,217

Amount of deposits on 1 January, 1873, £1,335,258 3s. 1d. Number of Depositors, 32,220.

GOVERNMENT SAVINGS' BANKS.

No. 126.—RETURN showing the Names of the various BRANCHES, the Dates of their ESTABLISHMENT, the Number of ACCOUNTS OPENED, the Number of ACCOUNTS CLOSED, and the Total Number and Amount of DEPOSITS and WITHDRAWALS, during the Year 1877; also, the Amount at the Credit of DEPOSITORS on the 31st December, 1877.

Name of Branch.	Date of establishment.	Number of Accounts open at close of 1876.	Number of Accounts opened during 1877.	Number of Accounts closed during 1877.	Number of Accounts remaining open at close of 1877.	Balance on 31st December, 1876.	Total Deposits, including Interest.		Total Withdrawals.		Balance at credit of Depositors at close of 1877.
							Number	Amount.	Number	Amount.	
Sydney (Head Office)	1 Oct., 1871	3,008	2,348	1,656	3,695	£ s. d. 156,067 1 4	13,082	£ s. d. 135,597 2 4	6,275	£ s. d. 111,365 4 11	£ s. d. 180,298 18 9
„ Shipping Master	1 April, 1876	5	2	5	2	69 12 6	7	52 5 7	5	61 12 5	60 5 8
Aberdeen	11 Dec., 1871	27	3	8	22	997 6 9	16	267 15 5	23	488 3 8	776 18 6
Adaminaby	12 July, 1875	2	21	2	21	17 16 9	91	17 19 7	3	3 0 5	32 15 11
Adelong	11 Dec., 1871	72	37	38	71	1,028 13 4	189	1,128 0 3	67	1,201 7 4	955 6 3
Albury	1 Oct., 1871	75	30	22	33	721 7 3	244	886 19 7	59	803 6 7	805 0 3
Anvil Creek	1 Mar., 1877	32	16	16	56	363 12 11	27	103 12 6	260 0 5
Arahuen	1 Sept., 1872	11	2	1	12	161 13 1	12	175 10 3	7	50 4 0	286 19 4
Armidale	1 Oct., 1871	64	45	16	93	2,095 19 6	433	1,724 15 4	62	955 6 7	2,865 8 3
Ashfield	1 Feb., 1875	2	15	4	13	7 12 6	42	104 5 6	5	29 5 7	82 12 5
Ballina	1 Sept., 1872	1	1	2	8 13 11	8 13 11
Balmain	1 Oct., 1871	217	110	71	256	3,688 1 7	934	4,254 3 1	321	3,685 10 7	4,256 14 1
Bathurst	„ „	231	108	82	257	8,434 5 0	595	5,613 4 6	282	4,740 8 2	9,307 1 4
Bega	1 Sept., 1872	55	27	21	61	943 14 11	108	775 1 8	49	449 0 3	1,209 16 4
Berrima	1 Oct., 1871	30	6	9	27	687 13 5	20	197 18 5	11	293 8 5	592 3 5
Binalong	1 Feb., 1875
Bingera	„ „
Bodalla	12 July, 1875	5	15	2	18	15 17 11	58	269 14 8	5	86 10 10	199 1 9
Bombala	11 Dec., 1871	27	12	8	31	1,162 9 11	29	323 4 10	24	369 19 6	1,115 15 3
Botany	1 Sept., 1874	43	27	15	55	316 14 6	161	244 6 4	37	201 11 4	359 9 6
Bourke	„ „	21	11	3	29	199 1 2	42	445 9 2	10	299 0 2	345 10 2
Bowenfels	1 Feb., 1875
Braidwood	1 Oct., 1871	85	24	6	103	2,483 6 1	197	1,746 11 11	59	1,054 0 4	3,175 17 8
Branxton	1 Sept., 1874	13	3	3	13	85 9 9	17	201 7 9	10	116 16 10	170 0 8
Bulli	4 June, 1877	24	3	21	61	556 16 4	7	99 4 9	457 11 7
Bundarra	1 Jan., 1874	25	4	4	25	373 11 0	29	99 18 5	6	159 11 0	313 18 5
Burrows	12 July, 1875	23	17	10	30	495 13 3	105	586 14 1	41	351 6 9	731 0 7
Burwood	1 Sept., 1872	26	19	7	38	351 14 5	80	306 17 11	25	276 3 8	382 8 8
Camden	1 Oct., 1871	139	27	19	147	2,627 18 10	208	1,215 19 8	66	674 2 5	3,169 16 1
Campbelltown	„ „	47	14	7	54	1,016 3 10	110	575 15 2	22	494 1 9	1,097 17 3
Camperdown	11 Dec., 1871	6	4	2	19	11 1 2	5	4 14 0	6 7 2
Cammonbar	12 July, 1875	2	2	4	156 7 1	4	119 16 9	276 3 10
Carcoar	1 Sept., 1872	31	9	12	28	1,218 13 8	49	800 14 11	24	872 18 11	1,146 9 8
Casino	1 Feb., 1875	13	11	8	16	583 3 3	26	299 0 0	16	410 4 2	471 19 1
Cassilis	1 Sept., 1872	83	21	17	87	3,007 17 5	151	1,424 13 2	46	1,355 4 5	3,077 6 2
Chatsworth Island	4 June, 1877	12	12	26	207 17 2	207 17 2
Cooma	1 Oct., 1871	66	21	12	75	1,360 7 6	73	719 11 10	36	933 4 1	1,146 15 3
Coonabarabran	12 July, 1875	17	8	3	22	193 19 9	42	216 12 5	5	123 1 0	282 11 2
Cooranbong	„ „	1	1	2	1 1 0	1	16 1 10	1	16 0 0	1 2 10
Cootamundra	1 Mar., 1877	75	22	53	183	1,580 5 5	33	407 3 11	1,173 1 6
Cow Flat	1 Sept., 1874	27	15	11	31	1,044 6 5	50	689 11 8	30	504 9 6	1,229 8 7
Cowra	„ 1872	27	11	5	33	641 3 6	60	368 5 1	20	299 19 9	709 8 10
Deniliquin	11 Dec., 1871	52	50	30	72	481 10 1	186	1,308 11 0	52	1,031 8 2	758 12 11
Denman	1 Jan., 1874	13	7	4	21	228 2 1	32	545 17 0	11	394 3 10	379 15 3
Dubbo	11 Dec., 1871	27	13	14	26	545 3 9	59	690 9 5	34	880 13 10	354 19 4
Dungog	1 Sept., 1874	14	6	4	16	543 16 5	39	166 5 0	24	322 11 7	387 9 10
East Maitland	1 Oct., 1871	12	20	7	25	549 19 4	98	401 13 6	19	134 15 6	816 17 4
Eden	1 Jan., 1874	24	2	1	25	406 2 7	25	127 10 1	10	199 4 8	334 8 0
Fermount	1 Sept., 1872	39	12	6	45	480 6 9	59	753 15 2	26	281 7 7	952 14 4
Forbes	11 Dec., 1871	95	27	38	84	1,723 7 3	129	743 1 3	65	1,065 8 3	1,401 0 3
Germanton	12 July, 1875	3	3	5 17 2	0 4 0	6 1 2

No. 126 (continued)—GOVERNMENT SAVINGS' BANKS—continued.

Name of Branch.	Date of establishment.	Number of Accounts open at close of 1876.	Number of Accounts opened during 1877.	Number of Accounts closed during 1877.	Number of Accounts remaining open at close of 1877.	Balance on 31st December, 1876.	Total Deposits, including Interest.		Total Withdrawals.		Balance at credit of Depositors at close of 1877.
							Number	Amount.	Number	Amount.	
Gladstone	1 Sept., 1872	12	9	3	18	404 1 3	24 533 16 11	8	204 8 1	733 10 1	
Glebe	1 Oct., 1871	12	10	3	19	206 11 3	37 115 6 7	23	183 3 0	138 14 10	
Glen Innes	1 Sept., 1874	51	22	12	61	393 10 11	90 723 11 5	34	258 15 2	858 7 5	
Gosford		12	2	2	12	290 17 3	15 155 12 9	13	167 0 7	279 9 2	
Goulburn	1 Oct., 1871	136	63	40	159	5,799 6 11	304 3,070 6 7	104	2,149 9 7	6,720 3 11	
Grafton		34	36	12	58	1,168 0 9	92 1,480 0 1	39	666 5 10	1,981 15 0	
Grenfell	15 Jan., 1872	76	28	16	88	1,461 15 7	129 1,336 14 0	61	1,043 17 3	1,749 11 11	
Gulgong		71	19	21	69	1,912 10 5	134 889 17 0	76	1,123 19 1	1,678 8 4	
Gundagai	11 Dec., 1871	27	8		35	647 11 0	23 203 15 3	8	196 14 7	659 11 8	
Gunnedah	12 July, 1875	22	17	12	27	301 0 10	58 518 15 8	32	352 18 0	460 18 6	
Hay	1 June, 1876	69	84	43	110	636 12 5	318 1,710 17 11	69	915 17 11	1,431 12 5	
Haymarket	1 Mar., 1877	466			367		1,640 12,749 17 0	402	3,761 9 4	8,988 7 8	
Hexham	1 Feb., 1875	6	1		7	206 2 0	5 112 10 7	3	53 0 0	265 12 7	
Hill End	1 Jan., 1874	131	56	47	140	5,039 8 9	332 2,741 4 8	193	3,480 3 4	4,300 10 1	
Home Rule		13	2		14	120 7 7	18 226 15 4	7	48 6 0	298 16 11	
Inverell	1 Sept., 1874	68	38	34	72	857 11 7	183 1,897 1 6	51	1,046 2 8	1,208 10 5	
Kempsey	1 Feb., 1875	9	1		9	118 17 4	22 131 3 8	3	54 7 9	135 13 3	
Kiama	1 Oct., 1871	86	32	18	100	1,888 2 9	256 1,159 11 3	53	665 8 3	2,382 5 9	
Lambton	1 Sept., 1874	45	39	15	69	1,217 15 7	199 1,600 19 2	65	698 1 5	2,120 13 4	
Lidsdale	12 July, 1875	10	9	3	16	163 2 6	22 333 15 7	18	73 1 3	423 16 10	
Lismore		20	11	6	25	143 12 10	81 455 0 11	18	296 3 11	302 9 10	
Lithgow	1 Feb., 1875	62	31	13	80	1,543 1 8	143 1,624 17 10	45	1,144 5 1	2,023 14 5	
Liverpool	1 Oct., 1871	66	22	66	66	1,462 9 2	214 1,177 13 1	64	944 17 0	1,695 5 3	
Lochinvar	12 July, 1875		5	1	4		8 165 0 3	4	17 7 0	118 0 3	
Major's Creek	1 Feb., 1875	14	6	1	14	117 9 2	39 126 5 7	4	47 0 0	66 7 5	
Manly		36	28	16	48	116 15 8	185 295 6 11	57	267 18 2	144 4 5	
Merimbula	1 Jan., 1874	25	7	5	27	516 18 5	50 858 11 9	26	215 16 8	659 13 6	
Merrivale	1 Sept., 1874	13	1	5	9	342 8 6	10 66 5 8	18	279 6 0	129 8 2	
Milton	1 Jan., 1874	33	11	3	41	222 10 0	75 361 14 7	13	217 2 10	367 1 9	
Minni	1 June, 1876	14	40	16	38	246 4 1	157 1,498 10 10	49	863 16 4	830 18 7	
Mittagong	1 Sept., 1872	115	16	27	104	3,002 14 10	153 1,121 14 8	77	1,109 7 4	3,015 2 2	
Molong	1 Oct., 1871	40	17	19	38	1,070 8 7	180 479 14 6	33	690 11 3	859 11 10	
Mooroolooloon	10 April, 1875	24	14	9	29	290 8 6	99 333 10 6	40	185 16 8	438 2 4	
Morpeth	1 Oct., 1871	114	34	24	124	3,255 3 8	213 1,765 16 7	36	1,481 6 11	3,539 13 4	
Moruya	1 Jan., 1874	41	11	7	45	777 13 0	64 513 3 6	30	268 17 6	1,024 19 0	
Moss Vale	1 Sept., 1876	1	20	3	18	0 15 0	54 242 6 6	11	83 0 3	160 1 3	
Mount Victoria	1 Aug., 1876	6	31	13	24	101 19 6	56 864 18 7	22	246 12 4	720 5 9	
Mudgee	1 Oct., 1871	77	35	24	88	2,688 0 5	196 1,084 6 2	70	1,907 14 0	2,664 12 7	
Murumbidgee	1 Mar., 1877		50	18	32		111 1,863 12 5	31	344 0 11	719 11 6	
Murrurundi	1 Oct., 1871	175	71	69	177	6,672 19 8	370 4,135 15 4	197	3,288 19 7	7,519 15 5	
Muswellbrook	11 Dec., 1871	65	29	20	74	1,898 4 3	136 845 13 4	52	378 13 0	1,865 4 7	
Narrabri	2 June, 1873	46	17	9	54	1,392 14 0	65 546 12 6	12	218 16 9	1,720 9 9	
Nelligan	12 July, 1875	12	11		23	9 14 10	44 33 13 1			43 7 11	
Newcastle	1 Oct., 1871	604	382	283	703	23,452 11 8	2,029 17,447 13 7	786	15,521 16 9	25,378 8 6	
Shipping Master	1 April, 1876										
Newtown	1 Oct., 1871	666	236	184	718	8,355 7 10	1,910 6,477 11 1	591	6,528 0 11	8,304 18 0	
North Wardell	1 Jan., 1876	15	10	5	20	79 10 5	43 106 9 0	15	63 15 11	122 3 6	
Numba	12 July, 1875	14	8		22	298 5 6	20 79 9 5	11	145 3 8	232 11 3	
Nundle	1 Sept., 1874	42	7	4	45	888 18 10	31 609 16 5	11	446 11 6	1,052 3 9	
Orange	11 Dec., 1871	152	134	89	197	3,280 4 10	546 4,174 17 4	221	2,661 9 1	4,793 13 1	
Oxford-street	11 Aug., 1873	802	597	391	1,008	20,683 18 2	4,178 20,180 4 10	1,407	18,716 4 4	22,147 18 8	
Paddington		239	109	79	269	3,787 12 0	1,096 3,694 15 9	255	3,283 17 0	4,198 10 3	
Parkes	1 Jan., 1874	77	26	24	79	1,043 15 6	147 911 18 5	109	1,227 0 0	1,328 13 11	
Parramatta	1 Oct., 1871	139	72	60	142	2,699 6 5	518 2,772 0 2	131	1,553 1 0	3,618 5 7	
Parramatta-street	11 Aug., 1873	395	278	236	437	9,247 3 3	2,062 9,461 12 7	690	8,571 9 3	10,137 6 7	
PATERSON	12 July, 1875	6	7	2	11	124 8 5	22 196 8 2	12	99 11 8	332 13 1	
Penrith	1 Oct., 1871	80	26	14	92	3,035 3 10	196 1,367 2 11	46	1,082 13 8	3,333 10 0	
Petersham	1 Feb., 1875	45	32	14	63	864 11 6	141 927 4 3	43	814 2 8	677 13 1	
Pictou	1 Sept., 1874	41	29	11	59	877 1 6	124 1,849 6 11	40	1,089 1 7	1,137 6 10	
Port Macquarie	11 Dec., 1871	108	25	13	120	5,293 9 6	165 3,164 2 0	78	2,246 10 11	6,211 0 7	
Pyrmont	1 Oct., 1871	26	18	8	36	208 19 5	184 518 7 11	33	268 6 8	450 0 7	
Queanbeyan	11 Dec., 1871	45	5	8	42	531 16 0	99 290 4 10	26	305 19 4	516 1 6	
Raymond Terrace	1 Sept., 1872	77	14	12	79	1,760 3 4	97 1,017 18 4	35	941 10 8	1,836 11 0	
Redfern	1 Oct., 1871	226	128	97	257	3,471 1 4	982 3,266 17 4	306	3,434 14 1	3,303 4 7	
Richmond	11 Dec., 1871	56	22	7	71	462 14 11	108 393 19 5	49	233 0 6	623 13 10	
Rookwood	12 July, 1875	17	4	3	18	55 15 9	47 54 1 11	12	59 2 3	50 15 5	
Rydal	1 Jan., 1874	41	21	9	53	2,038 12 11	91 897 14 6	48	624 19 10	2,311 7 7	
Ryde	1 Feb., 1875	18	11	1	28	104 2 1	57 744 0 7	16	224 16 0	623 6 8	
Rylstone	2 June, 1873	8	2		10	89 18 6	13 56 0 5	2	20 0 0	125 18 11	
St. Leonards	1 Feb., 1875	155	85	59	181	1,747 11 11	815 2,251 4 10	188	1,776 15 6	2,222 12 3	
St. Mary's	1 Sept., 1876	3	11	1	13	14 1 3	37 263 14 2	13	96 5 2	181 10 3	
Scone	11 Dec., 1871	12	5	2	15	393 12 3	16 170 12 7	11	165 17 3	398 7 7	
Singleton	1 Oct., 1871	250	73	50	273	3,662 11 2	652 1,964 3 3	135	1,963 15 7	3,662 18 10	
Sofala	1 Sept., 1874	50	11	14	47	1,147 11 11	75 712 9 8	42	793 1 6	1,067 0 1	
Stroud	1 Feb., 1875	18	16	5	29	449 12 5	80 683 16 1	21	436 12 11	696 15 7	
Tamworth	11 Dec., 1871	109	60	45	124	1,451 7 11	245 1,483 0 9	95	1,242 12 3	1,691 16 5	
Taree	1 Feb., 1875	28	21	9	40	460 10 0	72 554 2 0	26	362 2 0	652 10 0	
Tenterfield	1 Sept., 1874	21	29	10	40	683 13 9	65 448 7 8	18	468 19 9	663 1 8	
Terara		127	23	29	121	4,235 9 0	167 1,571 2 9	82	1,828 0 3	3,978 11 6	
Trunk Creek	1 Feb., 1875	13	5	8	10	409 2 4	15 125 8 10	12	303 19 8	230 11 6	
Tumut		12	15	5	22	85 7 1	49 324 13 1	10	116 7 0	293 12 6	
Tweed Junction	1 Sept., 1874	8	7	2	13	118 7 0	16 157 2 3	3	42 2 4	233 6 11	
Ulladulla		22		1	21	460 0 0	25 83 18 2	3	206 12 11	387 5 3	
Ulmara	12 July, 1875	12	10	7	15	157 18 10	27 221 6 2	8	104 8 7	274 16 5	
Vegetable Creek	1 Sept., 1874	120	37	72	85	4,364 12 10	141 1,885 18 11	110	2,953 5 3	3,292 6 6	
Wagga Wagga	11 Dec., 1871	125	71	59	137	1,508 15 3	290 1,817 13 6	126	1,158 12 8	2,167 16 1	
WallSEND	1 Sept., 1874	70	67	34	108	1,947 7 2	250 2,195 5 4	99	1,352 8 0	2,790 4 6	
Waratah	11 Dec., 1871	35	11	3	43	915 17 2	88 629 6 11	21	336 5 4	1,208 18 9	
Warialda	1 Sept., 1874	4			4		61 11 9			61 11 9	
Watson's Bay	1 Feb., 1875	4	27	14	17	3 10 6	99 86 13 8	21	47 16 6	42 7 8	
Waverley	1 Aug., 1876	17	49	23	43	39 4 2	202 588 4 6	57	426 17 9	200 10 11	
Wee Waa	11 Dec., 1871	30	8	7	31	649 3 4	23 449 5 8	19	587 19 11	510 9 1	
Wellington	2 June, 1873	45	10	12	43	1,400 0 11	68 489 4 4	40	759 14 6	1,129 10 9	
West Kempsey	1 Sept., 1874	28	10	9	29	260 14 10	48 275 2 0	17	227 6 3	308 10 7	
West Maitland	1 Oct., 1871	57	37	23	71	2,541 9 8	170 2,331 13 2	72	2,031 3 10	2,841 19 0	
William-street	11 Aug., 1873	634	373	269	738	11,770 11 2	2,932 13,883 6 0	934	9,870 9 6	15,783 7 8	
Windsor	1 Oct., 1871	32	5	4	33	2,717 19 6	57 601 10 5	30	443 5 9	3,876 4 2	
Wingham	11 Dec., 1871	11	4	1	14	451 15 6	23 287 1 9	3	25 13 7	718 3 8	
Wollombi		15	3	2	16	644 14 3	35 407 17 1	14	126 6 6	926 4 10	
Wollongong	1 Oct., 1871	109	34	35	108	6,290 5 6	185 1,864 0 2	103	2,855 19 11	5,298 5 9	
Woolahra	8 Feb., 1872	98	29	24	103	854 13 2	269 818 19 4	66	697 8 0	976 4 6	
Woonona	11 Dec., 1871	103	38	27	114	4,428 8 5	299 2,136 12 9	88	1,869 16 0	4,695 5 2	
Yass	1 Sept., 1872	126	43	39	130	3,941 16 5	279 1,201 18 3	113	1,905		

GOLD RECEIVED AND ISSUED AT THE MINT.

No. 127.—RETURN showing the Quantity and Value of GOLD Received and Issued at the BRANCH ROYAL MINT, from its opening on the 14th May, 1855, to the 31st December, 1877, inclusive.

PERIOD.	Gold Dust or Bullion received for Coinage.		Issued.						Revenue.								
			In Coin.			In Bullion.			From Gold the produce of New South Wales.	From other sources.	Total Revenue.						
	Weight.	Value at £3 17s. 10½d. per oz.		Sovereigns.	Half-sovereigns.	Total value of Coin.	Weight.	Value at £3 17s. 10½d. per oz.				Total Value of Coin and Bullion.					
	ozs.	£	s.	d.	No.	No.	£	ozs.	£	s.	d.	£	s.	d.	£	s.	d.
1855.—14th May to 31st December ...	217,589'205	871,300	2	6	502,000	21,000	512,500	1,221'970	4,758	0	11	517,258	0	11	3,211	14	5
1856.—1st January to 31st December ...	239,491'990	939,776	6	5	981,000	478,000	1,220,000	654'850	2,549	16	5	1,222,549	16	5	8,079	14	0
1857.—1st January to 31st December ...	223,215'890	879,181	19	4	499,000	537,000	767,500	14,889'830	57,977	5	7	825,477	5	7	6,001	11	11
1858.—1st January to 31st December ...	342,540'530	1,332,034	3	1	1,101,500	483,000	1,343,000	14,927'920	58,125	11	10	1,401,125	11	10	13,192	12	11
1859.—1st January to 31st December ...	358,127'000	1,380,402	14	10	1,050,500	341,000	1,221,000	39,591'620	156,557	5	3	1,377,557	5	3	14,641	9	2
1860.—1st January to 31st December ...	470,464'300	1,823,637	16	11	1,573,500	156,000	1,651,500	48,543'520	195,052	9	2	1,846,552	9	2	16,618	6	4
1861.—1st January to 31st December ...	477,607'470	1,863,632	2	0	1,626,000	186,500	1,719,250	24,880'005	98,187	0	6	1,817,437	0	6	19,000	16	8
1862.—1st January to 31st December ...	696,311'580	2,700,452	1	1	2,477,500	2,477,500	74,995'174	298,191	14	4	2,775,691	14	4	26,805	10	2
1863.—1st January to 31st December ...	493,332'110	1,908,526	17	6	1,255,500	558,500	1,534,750	84,549'596	342,212	9	10	1,876,962	9	10	18,555	6	8
1864.—1st January to 31st December ...	728,019'350	2,878,398	17	10	2,698,500	2,698,500	44,897'291	182,168	4	3	2,880,668	4	3	14,399	0	10
1865.—1st January to 31st December ...	598,606'740	2,351,402	0	10	2,130,500	282,000	2,271,500	21,913,669	88,061	13	9	2,359,561	13	9	14,033	3	9
1866.—1st January to 31st December ...	739,362'930	2,935,923	7	9	2,911,000	2,911,000	11,113,931	44,732	8	2	2,955,732	8	2	11,784	13	5
1867.—1st January to 31st December ...	629,721'990	2,501,368	19	9	2,370,000	62,000	2,401,000	22,666'213	91,853	15	3	2,492,853	15	3	10,099	15	4
1868.—1st January to 31st December ...	605,806'840	2,359,525	10	1	2,319,000	2,319,000	6,581'244	26,728	8	1	2,345,728	8	1	8,946	19	1
1869.—1st January to 31st December ...	346,003'940	1,323,487	8	3	1,202,000	154,000	1,279,000	9,936'444	40,388	2	2	1,319,388	2	2	6,601	13	1
1870.—1st January to 31st December ...	317,527'960	1,218,730	4	8	1,220,000	1,220,000	5,983'456	23,298	1	9	1,243,298	1	9	4,607	8	11
1871.—1st January to 31st December ...	778,627'290	2,887,601	16	5	2,814,000	2,814,000	14,489'542	56,418	13	1	2,870,418	13	1	7,316	16	6
1872.—1st January to 31st December ...	558,342'450	2,063,774	12	10	1,815,000	356,000	1,993,000	25,355'527	98,728	2	1	2,091,728	2	1	9,539	19	5
1873.—1st January to 31st December ...	436,624'910	1,611,940	17	1	1,478,000	1,478,000	13,088'428	50,963	1	5	1,528,963	1	5	7,234	10	10
1874.—1st January to 31st December ...	551,046'650	2,073,666	19	11	1,899,000	252,000	2,025,000	2,982'124	11,611	12	8	2,036,611	12	8	6,725	6	9
1875.—1st January to 31st December ...	547,484'680	2,061,070	16	5	2,122,000	2,122,000	1,673,786	6,517	6	0	2,128,517	6	0	5,714	15	10
1876.—1st January to 31st December ...	431,905'270	1,605,557	19	8	1,613,000	60,000	1,643,000	2,129,789	8,292	17	4	1,651,292	17	4	3,941	8	10
1877.—1st January to 31st December ...	438,385'500	1,608,248	2	8	1,590,000	1,590,000	1,709'643	6,656	18	7	1,596,656	18	7	3,316	9	11
Grand Total ...	11,226,146'575	43,179,641	17	10	39,248,500	3,927,000	41,212,000	488,775'572	1,950,030	18	5	43,162,030	18	5	240,369	6	6
															166,549	15	8
															406,919	2	2

* Countries from which Imported—	During the Year 1877.			Since the opening of the Mint.		
	Quantity.	Value.		Quantity.	Value.	
	Ozs.	£	s. d.	Ozs.	£	s. d.
New South Wales ...	121,593'380	459,201	4 4	5,976,042'320	22,952,590	4 2
Victoria ...	132'740	225	13 4	1437,585'275	5,005,080	16 1
New Zealand ...	1,674'000	4,655	12 3	1,751,934'760	6,882,438	15 1
Queensland ...	310,246'680	1,126,315	2 6	2,004,240'780	7,226,820	0 10
Tasmania	5,602'450	21,682	19 6
South Australia	1,265'350	4,402	9 9
California	2,242'930	8,225	4 4
British Columbia	218'670	759	0 0
New Caledonia ...	373'950	1,326	10 5	6,005'180	21,438	2 10
Coin ...	3,542'600	13,717	2 5	40,918'860	155,933	16 3
Total ...	438,385'500	1,608,248	2 8	11,226,146'575	43,179,641	17 10

RAILWAYS.

No. 128.—RETURN showing the EARNINGS and EXPENDITURE of the GREAT SOUTHERN, WESTERN, AND RICHMOND, and GREAT NORTHERN RAILWAYS, during the Year 1877.

10-2 H

Lines and Months.	Total Length of Lines in Miles.	Number of Passengers carried.																		Amount for Coaching.	Tonnage of Goods.	Amount for Goods.	Miscellaneous Receipts.	Total Earnings.	Expenditure for Working Expenses.	Net Earnings over Working Expenses.					
		Season-ticket Holders.										Other Passengers.						General Total.													
		Monthly.		Quarterly.		Half-yearly.		Yearly.		Total.		Total No. of Passengers.	First Class.		Second Class.		Total.														
		1st Class.	2nd Class.	1st Class.	2nd Class.	1st Class.	2nd Class.	1st Class.	2nd Class.	1st Class.	2nd Class.		Single.	Return.	Single.	Return.															
S. W. & R.	450	No.	No.	No.	No.	No.	No.	No.	No.	No.	No.	No.	No.	No.	No.	No.		No.	No.	No.	£ s. d.	tons cwt. q. lbs.	£ s. d.	£ s. d.	£ s. d.	£ s. d.	£ s. d.				
January		4154	13263	6753	16554	5084	6753	4464	3236	20460	39860	60326	9492	19878	33126	75362	137358	197634	18671	9 11	33856	18 3 12	32306	5 8	12 2 3	50989	17 10	14253	8 7	36736	9 3
February		3920	14000	6664	15736	5096	5544	4144	2963	19324	38248	58072	5434	16677	19145	70390	115866	169658	14483	6 8	32199	4 3 22	28774	2 2	30 12 4	43288	1 2	23196	12 7	20091	8 7
March		4092	15500	7993	17608	5766	6014	4650	3283	22506	42403	64914	7907	17488	27800	73336	126531	191445	16962	17 8	34174	10 0 14	28937	9 2	1075 18 4	46976	5 2	21240	8 0	25735	17 2
April		5160	14700	8160	17880	6540	6420	4089	3120	23940	42120	66060	11166	24713	36506	84022	156407	222467	23046	12 0	30361	8 2 20	29011	3 3	18 16 7	52076	11 10	23955	2 0	28121	9 10
May		4402	14750	8866	19158	6820	6758	4092	2976	24180	43648	67828	7496	20818	25395	79700	133409	201237	16214	17 1	33223	1 2 2	29853	9 9	11 5 5	46079	12 3	26430	15 10	19648	16 5
June		4020	14100	8760	19440	6340	6780	4020	2380	23640	43200	66340	7380	21869	25032	89358	144139	210979	15478	10 11	33774	5 1 10	28737	6 8	9 5 11	44225	12 6	25545	10 4	18680	2 2
July		4030	15314	9548	20946	7502	7068	4092	2914	25172	45942	71114	6810	20297	23466	87168	136741	207855	15377	18 6	35499	5 1 22	29665	6 3	7 17 0	45115	1 9	25983	1 7	19132	0 2
August		4464	16616	9920	20956	7440	6820	3906	2852	25730	47244	72974	6783	23443	23373	93238	146837	219811	16254	1 9	39844	7 0 6	36497	7 3	64 17 0	52816	6 0	27335	13 10	25480	12 2
September		4980	15540	9540	20700	6900	6960	3720	2700	25200	45900	71100	7081	24061	24371	91242	146755	217855	16257	11 11	34214	11 3 26	32733	9 3	45 8 6	49036	9 8	27358	8 5	21801	1 3
October		5022	16368	10168	22196	6386	7378	3906	2666	25482	48608	74090	7235	23474	24022	91430	146159	220249	16809	8 6	36803	14 0 12	33031	0 1	56 13 6	54897	2 1	25912	16 6	28984	5 7
November		5160	17700	9780	20580	6300	6840	3780	2580	25080	47700	72780	8593	21185	29308	89356	147442	220222	17254	1 10	36337	6 2 10	39879	14 10	10 13 7	57144	10 3	28904	0 4	28240	9 11
December		5022	19066	9982	21266	6510	6944	4216	2852	25730	50158	75888	12501	20500	43859	86142	163002	238390	23916	13 7	33508	1 1 8	35448	3 8	100 10 10	59465	8 1	39011	2 5	20454	5 8
Total	450	54426	186938	106144	332720	77304	80284	49070	35809	236944	535042	821986	97876	253903	333408	1011184	1696366	2519352	210727	19 4	418386	15 3 24	389874	18 0	1568 1 3	602110	18 7	309004	0 5	293106	18 2
NORTH.	148	372	310	310	1426	248	496	62	62	992	2294	3286	2681	2462	11798	25822	42763	46049	5445	12 3	67800	16 3 16	10923	11 3	5 7 9	16374	11 3	5674	2 2	10700	9 1
January		280	504	290	1456	224	336	56	56	840	2352	3192	1650	2096	1126	15244	26116	29308	4275	9 3	75191	4 0 0	11509	17 0	30 3 2	15824	10 2	3837	6 4	7437	3 10
February		310	620	310	1612	310	372	62	62	992	2663	3653	2585	2048	11251	17030	33814	37472	5087	2 2	87508	12 2 0	12036	18 0	37 10 0	17211	10 11	7669	9 8	9542	1 3
March		120	549	300	1560	360	360	60	60	900	2520	3420	2486	2326	10890	19623	35149	35569	5345	12 8	93226	7 2 0	10629	3 5	48 13 6	16023	8 11	7660	10 0	8962	0 11
April		184	558	434	1550	372	310	62	62	992	2480	3472	2192	2214	9222	18862	32490	35062	4985	1 8	79053	9 1 17	11400	16 11	50 13 4	16486	11 11	8400	16 2	8935	15 9
May		300	430	430	1590	360	360	60	60	1200	2400	3000	1915	2756	7745	16768	29184	32734	4393	10 0	85650	8 0 19	10860	17 9	92 18 6	15847	6 3	8770	6 7	6867	19 8
June		124	484	486	1736	310	310	62	62	902	2545	3534	1974	2826	7249	14876	27205	30739	4236	18 10	79939	17 0 0	10993	12 10	14 17 4	14345	9 0	8901	9 0	5444	0 0
July		248	496	620	1860	310	310	62	62	1240	2733	3963	2074	2990	8175	16540	29779	33747	4838	10 9	104760	4 2 6	13587	0 10	3 17 6	18489	9 1	8719	6 3	9770	2 10
August		180	780	780	2100	240	300	60	60	1260	3240	4500	2092	2894	9553	17342	31881	36831	4981	17 2	90082	8 1 24	13893	0 7	32 8 7	19203	4 11	10612	0 10	8591	4 1
September		360	420	780	2100	180	300	60	60	1380	2880	4200	1830	2042	8252	18754	31803	36272	5109	8 4	92927	3 2 8	16388	5 3	177 19 4	21675	12 11	9138	1 5	12482	11 6
October		420	420	780	2100	180	300	60	60	1380	2880	4200	2025	2448	8376	19516	32365	36625	4950	7 1	75918	18 1 11	17214	10 7	45 11 6	22210	9 2	11687	15 4	10522	13 10
November		248	682	744	1984	186	248	124	62	1392	2976	4278	3361	1992	14479	20774	40060	44884	6333	5 2	70223	18 2 2	14208	10 1	125 6 10	20667	2 1	13995	3 8	6071	18 10
December		420	420	780	2100	180	300	60	60	1380	2880	4200	2025	2448	8376	19516	32365	36625	4950	7 1	75918	18 1 11	17214	10 7	45 11 6	22210	9 2	11687	15 4	10522	13 10
Total	148	2850	6444	6464	21054	3286	4012	792	730	13392	32240	45632	26895	29994	114315	221956	393160	438792	60042	14 8	992223	8 3 23	152746	6 0	1020 5 11	213809	6 7	109980	16 0	108328	10 7
General Total	598	57276	193402	112698	333774	80590	84296	49862	35810	300336	567282	867618	124771	283897	447713	1233140	2089526	2957144	270770	14 0	410610	4 3 19	542621	4 0	2528 7 2	815920	5 2	418984	16 5	396985	8 9

STATISTICS—1877.

No. 129.—DECENNIAL RETURN showing the EARNINGS and EXPENDITURE of the several Lines of Railway.

Year.	Number of Lines.	Average Number of Miles open for Traffic.	Number of Passengers carried.						Amount for Coaching.	Rents and Miscellaneous Receipts.	Tonnage of Goods.	Amount for Goods.	Total Earnings.	Total Amount for Working Expenses.										
			First Class.		Second Class.		Season-ticket Holders.								Total.									
			Single.	Return.	Single.	Return.	First Class.	Second Class.																
1863	4	225	28505½	37446	237328	411284	*.....*	714563½	£ s. d.	£ s. d.	£ s. d.	tons cwt. qrs. lbs.	£ s. d.	£ s. d.	£ s. d.									
1869	4	279	32408½	44065	238354	444308	69090	983063½	94944	10 6	4463	12 2	99408	2 8	596513	2 0 18	124950	10 11	224358	13 7	144080	4 9		
1870	4	329	34043½	48756½	234408	459499½	82194	108367½	106092	12 6	3334	9 3	109427	1 9	714113	16 3 25	155547	17 3	264974	19 0	176362	2 4		
1871	4	350	38042½	55603½	247391½	418024½	89996	1067696½	8003	4 1	117853	16 3	766523	1 3 15	189288	7 7	307142	3 10	206003	1 10	206003	1 10		
1872	4	384	43366½	63899	240244	401401½	83338	191076	125881	18 11	129495	6 0	741934	9 1 24	225826	11 0	355321	17 0	197065	9 11	197065	9 11		
1873	4	397	43373½	76440	260627½	485162	105492	1214022½	415	12 7	163960	9 4	825359	19 2	22	261028	10 8	424989	0 0	207917	14 10			
1874	4	398	60467½	99845	308397½	616792	135348	323194	5578	7 9	172637	9 5	5578	7 9	172637	9 5	926894	19 0 22	306019	11 1	484235	18 3	288034	14 5
1875	4	410	72785	134330	324972	756133	168534	451646	184831	2 10	3763	13 8	188594	16 6	1076068	2 0 9	347980	8 6	536575	5 0	257703	6 9		
1876	4	460	94403	207184	380099	1046044	242100	509116	200601	5 7	5339	6 4	205940	11 11	1174559	5 2 27	408706	18 4	614647	10 3	296173	19 7		
1877	4	552	124771	283397	447718	1233140	300336	567282	225519	8 3	5350	11 7	233369	19 10	1244251	17 1 2	459355	8 5	693225	8 3	339405	13 9		
									270770	14 0	2528	7 2	273299	1 2	1410610	4 3 19	542621	4 0</						

ELECTRIC TELEGRAPHS.

No. 130.—RETURN showing the Number and Value of TELEGRAMS sent from each Station in the Colony during the Year 1877; also the Length of WIRE and Cost of CONSTRUCTION.

Station.	Messages.	Amount.			Station—contd.	Messages.	Amount.		
		No.	£	s. d.			No.	£	s. d.
Sydney (Head Quarters) ...	240,883	22,455	7	8	Inverell... ..	7,477	580	17	4
Albury	100,747	752	3	10	Jerilderie	2,078	179	14	5
Armidale	7,497	584	15	6	Jerrys Bay	185	8	9	11
Araluen... ..	852	51	7	9	Jerry's Plains	1,316	77	14	1
Adelong	2,982	197	18	3	Kiama	3,884	245	10	7
Anvil Creek	858	56	15	3	Kyamba	388	32	12	10
Adaminaby	1,083	76	17	2	Kiandra... ..	1,246	89	19	5
Ashfield... ..	805	50	19	3	Kelso	469	29	9	6
Back Creek	38	1	12	3	Lismore... ..	3,903	278	9	2
Broughton's Creek	792	51	14	1	Lawrence	1,750	102	0	10
Balranald	2,889	309	18	3	Liverpool	1,158	68	12	7
Blacktown	482	28	5	8	Lambton	1,240	64	18	5
Bowenfels	556	31	13	6	Lithgow	1,195	70	9	2
Bathurst	14,048	997	6	3	Lucknow	287	16	17	10
Blue Mountains	156	8	0	10	Moama	1,742	142	10	6
Boggabri	1,942	152	9	4	Moulamein	1,487	140	12	0
Brewarrina	4,719	435	16	7	Mount Victoria	1,514	85	14	6
Bourke	7,961	924	2	0	Mudgee	11,424	776	19	3
Bendemeer	1,174	79	15	11	Merriwa	2,127	149	13	11
Bundarra	1,993	150	19	8	Morpeth	3,347	184	16	7
Berrina... ..	603	37	0	7	Muswellbrook	4,189	258	13	9
Braidwood	2,757	210	5	11	Murrurundi	8,968	549	4	8
Bega	5,823	423	17	5	Moss Vale	1,658	105	13	0
Bombala	5,108	406	1	6	Marulan	747	43	15	10
Burrowa	3,548	289	12	10	Moruya	2,410	146	8	5
Bingera	2,345	176	17	2	Merimbula	2,384	123	5	6
Ballina	3,105	187	19	10	Molong	3,014	209	14	6
Branxton	1,017	66	16	0	Macquarie Plains	223	14	1	0
Botany	142	7	4	2	Murrumburrah... ..	4,381	257	3	7
Bodalla	1,022	88	5	8	Murwillumbah... ..	453	34	1	10
Balmain	1,495	88	14	11	Manly Beach	2,259	150	6	0
Bulli	14	0	3	0	Morice	1,644	128	3	4
Burwood	1,391	97	3	1	Morangarell	80	6	3	4
Bowning	1,246	69	13	8	Menindie	166	17	2	2
Baradine	1,152	87	5	6	Molonglo	132	9	10	11
Blayney... ..	2,843	159	16	9	Millie	181	11	18	3
Bateman's Bay... ..	1,523	98	6	9	Macleay River Heads	3	0	3	0
Bullah Delah	465	31	10	11	Nelson's Bay	698	21	12	11
Binalong	407	25	5	8	Newcastle	32,897	2,454	15	0
Casino	3,564	266	8	11	Narrabri	6,534	490	13	5
Carcoar	2,320	151	15	7	Nattai	1,742	98	9	8
Cowra	2,713	182	16	7	Nimitybelle	1,244	83	10	11
Coolah	1,872	146	7	7	Narrandera	2,895	240	14	10
Coonabarabran... ..	2,671	193	17	11	Newtown	2,075	124	14	1
Cassilis	1,406	101	12	1	Newton Boyd	179	12	7	0
Clarence Town... ..	1,050	57	2	4	Orange	14,757	1,007	6	2
Coonamble	6,087	452	12	7	Oxford-street	4,348	255	1	10
Campbelltown	1,960	123	1	11	Palmer's Island	1,501	78	12	0
Cooma	6,518	536	4	5	Parkes	3,656	246	12	6
Corowa	1,991	171	18	5	Penrith	2,182	127	19	9
Cootamundra	4,530	311	3	4	Paterson	906	59	18	4
Candelo	1,569	103	4	1	Pilliga	1,329	100	8	3
Cobargo... ..	784	49	0	11	Port Macquarie	2,323	145	16	3
Clarence River Heads... ..	1,321	57	18	3	Pieton	806	45	10	0
Camden... ..	115	7	18	1	Parramatta	5,340	316	5	7
Deniliquin	12,917	1,238	1	9	Parramatta-street	2,209	139	16	6
Dubbo	10,440	684	13	8	Petersham	820	56	10	9
Dungog... ..	1,417	92	13	6	Paddington	1,572	81	5	8
Denman	1,282	81	0	9	Pooncaira	213	21	17	7
Deepwater	958	77	2	5	Queanbeyan	3,976	274	13	2
Euston	958	93	0	3	Quirindi	3,673	204	3	10
East Maitland	2,802	178	12	3	Rocky Mouth	2,393	144	5	10
Eden	1,326	97	17	0	Richmond	3,543	207	19	10
Edgecliff	697	43	6	0	Raymond Terrace	1,550	89	9	11
Forbes	9,020	623	16	3	Redfern	4,534	268	16	0
Fordwich	392	28	8	5	Rylstone	1,630	101	16	11
Fernmount	64	3	9	6	Raglan	9	0	10	7
Glen Innes	7,000	536	10	1	Randwick	1,400	76	7	8
Grafton... ..	14,619	1,040	17	11	Rydal	30	2	1	8
Grenfell	4,204	287	14	7	South Head	516	22	7	6
Gulgong	3,764	277	13	7	Sofala	711	44	13	0
Gunnedah	5,161	361	12	10	Singleton	5,590	391	17	3
Goulburn	10,687	736	10	10	Scone	1,860	122	9	3
Gundagai	3,699	243	2	7	South Creek	523	30	7	8
Germanton	921	73	13	0	St. Leonard's	1,231	62	5	7
Gunning	1,580	108	2	7	South Grafton... ..	1,099	73	19	2
Goodooga	161	13	3	3	Stroud	1,005	66	5	7
Glebe	361	23	7	2	Seal Rocks	166	8	18	2
Gloucester	225	16	17	3	Tenterfield	57,691	329	7	9
Hay	11,559	1,259	3	0	Tarana	235	14	13	7
Hill End	2,095	137	11	5	Taree	3,614	230	6	4
Hunter's Hill	726	45	10	0	Tamworth	11,801	865	3	5
Haymarket	4,795	319	18	2	Terrara	2,411	139	2	4
Homebush	41	3	12	8	Tumut	4,260	301	17	0

STATISTICS—1877.

243

No. 130 (continued)—ELECTRIC TELEGRAPHS—continued.

Station -contd.			Messages.	Amount.	Station—contd.			Messages.	Amount.
			No.	£ s. d.			No.	£ s. d.	
Tabulam			593	41 7 10	Waratah		605	40 11 8	
Tarcutta			497	33 3 0	Wallsend		2,598	119 2 2	
Ulmarra			1,559	94 18 5	Wallabadah		1,505	104 3 4	
Urana			2,745	244 14 7	Waterloo		1,638	99 17 7	
Uralla			1,798	137 18 4	William-street		4,115	273 18 2	
Ulladulla			1,785	110 5 4	Waverley		809	44 9 8	
Vegetable Creek			3,418	285 13 8	Warren		2,576	182 17 5	
Warialda			2,873	213 2 3	Walcha		1,047	111 4 6	
Wagga Wagga			16,632	1,456 1 3	Warrarah		517	23 11 4	
Wentworth			17,366	418 16 3	Young		8,609	622 8 0	
Wallerawang			2,763	147 4 4	Yass		5,079	366 19 10	
Wellington			4,646	339 18 0	Yetman		699	63 9 1	
Windsor			3,417	207 0 3					
Wiseman's Ferry			522	27 1 5					
Wollombi			510	33 16 6					
West Maitland			18,170	1,453 15 11	Total		996,175	65,645 6 0	
Wee Waa			1,404	107 15 1	Balances on Intercolonial Business	2,566 0 11	
Walgett			4,903	409 1 0	Foreign Telegrams		1,768	22,016 19 2	
West Kempsey			4,873	318 12 7	New Zealand do.		3,941	6,129 4 1	
Wollongong			5,203	246 11 4	General Total		1,001,884	96,357 10 2	

NOTE.—Number of miles of wire open 31st December, 1877, 9,761; cost of construction, £343,973 4 8

No. 131.—RETURN showing the Number of TELEGRAPH STATIONS in New South Wales, the REVENUE received for TELEGRAMS during the Year 1877, the Number and Value of FOREIGN and INTERCOLONIAL TELEGRAMS transmitted from New South Wales, and the Places to which they were sent; also, the Number and Value of TELEGRAMS issued, and the Places from which they came.

Number of Telegraph Stations in New South Wales ... 190										Revenue received £65,645 6s.					
Telegrams transmitted from New South Wales.															
New South Wales.		Foreign Telegrams.		Victoria.		New Zealand.		South Australia.		Queensland.		Tasmania.		Total.	
No.	Amount.	No.	Amount.	No.	Amount.	No.	Amount.	No.	Amount.	No.	Amount.	No.	Amount.	No.	Amount.
£ s. d.	£ s. d.	£ s. d.	£ s. d.	£ s. d.	£ s. d.	£ s. d.	£ s. d.	£ s. d.	£ s. d.	£ s. d.	£ s. d.	£ s. d.	£ s. d.	£ s. d.	£ s. d.
852,632	46,489 13 9	1,708	22,016 19 2	78,938	10,931 8 2	3,941	6,129 4 1	11,255	2,313 1 11	51,792	5,174 6 3	1,558	736 15 11	1,001,884	93,791 9 3
Telegrams issued in New South Wales.															
New South Wales.		Foreign Telegrams.		Victoria.		New Zealand.		South Australia.		Queensland.		Tasmania.		Total.	
No.	Amount.	No.	Amount.	No.	Amount.	No.	Amount.	No.	Amount.	No.	Amount.	No.	Amount.	No.	Amount.
£ s. d.	£ s. d.	£ s. d.	£ s. d.	£ s. d.	£ s. d.	£ s. d.	£ s. d.	£ s. d.	£ s. d.	£ s. d.	£ s. d.	£ s. d.	£ s. d.	£ s. d.	£ s. d.
.....	1,912	22,048 9 3	70,610	10,661 17 3	3,923	197 13 3	11,775	1,770 9 9	61,278	7,521 2 5	1,281	556 2 6	150,779	42,755 14 5	

No. 132.—DECENNIAL RETURN showing the Number and Value of TELEGRAMS; also, Number of MILES of WIRE and Cost of CONSTRUCTION.

Year.	No. of Stations.	No. of Telegrams.	Receipts.			No. of Miles of Wire.	Cost of Construction.
			Amount for Telegrams.	Balance on Intercolonial Business and Guaranteed Lines, &c.	Total.		
			£ s. d.	£ s. d.	£ s. d.	£ s. d.	£ s. d.
1868	77	132,872	27,908 2 2	2,909 13 9	30,817 15 11	4,385	169,949 16 0
1869	83	145,370	30,150 7 6	2,624 8 5	32,774 15 11	5,053	189,145 0 11
1870	86	173,812	28,550 4 8	3,487 14 2	32,037 18 10	5,247	195,544 15 7
1871	89	218,530	29,019 16 11	3,644 16 0	32,664 12 11	5,579	199,245 4 6
1872	92	336,065	47,691 1 9	1,904 10 4	49,595 12 1	6,114	212,255 9 8
1873	105	365,360	57,280 4 2	4,544 6 3	61,824 10 5	6,521	218,361 6 0
1874	115	570,326	58,136 3 6	1,684 13 2	59,820 16 8	7,449	238,129 14 6
1875	137	719,745	67,537 8 1	1,655 15 3	69,193 3 4	8,012	253,391 9 9
1876	171	858,301	57,317 13 11	23,011 16 2	80,329 10 1	8,472	271,890 0 0
1877	190	1,001,884	65,645 6 0	30,712 4 2	96,357 10 2	9,761	343,973 4 8

* Includes £16,174 17s. 5d., amount collected for Telegrams sent *via* Port Darwin and British-Australian Telegraph Company's Lines, and £4,806 1s. 2d., amount collected for Telegrams sent to New Zealand.

^b Inclusive of £28,146 3s. 3d., for Foreign and New Zealand Telegrams.

POST OFFICES, LETTERS, &c.

No. 133.—DECENNIAL RETURN showing the Number of POST OFFICES, &c., and of LETTERS, NEWSPAPERS, PACKETS and BOOK PARCELS &c., passing through the GENERAL POST OFFICE.

Year.	Number of Post Offices.	Number of Persons employed.	Number of Miles travelled by Mail conveyance.	Extent of Postal Lines in Miles.	Number of Letters.			Number of Newspapers.		Packets and Book Parcels.		Total.			Income.			Expenditure. (Includes the estimated outstanding Liabilities for the Year.)		
					Foreign.	Inland.	Town.	Foreign.	Inland.	Inland.	Foreign.	Letters.	Newspapers.	Packets, &c.	£	s.	d.	£	s.	d.
1868	487	599	2,777,197	12,724	1,104,938	4,996,464	454,488	932,154	2,648,178	87,918	29,069	6,555,890	3,580,332	116,987	83,202	3	1	88,934	16	7
1869	521	642	2,879,659	13,238	1,067,251	5,554,950	521,433	1,112,232	2,481,321	123,573	34,461	7,143,634	3,593,553	158,034	85,720	0	5	90,700	0	0
1870	562	690	3,062,458	14,242	1,103,200	5,451,500	528,800	1,206,600	2,608,100	121,000	36,700	7,083,500	3,814,700	157,700	84,440	15	10	86,751	15	9
1871	570	696	3,167,165	14,470	1,127,100	5,803,700	578,700	1,160,400	2,831,700	121,600	36,700	7,509,500	3,992,100	158,300	84,890	13	6	85,398	17	5
1872	622	761	3,252,888	14,764	1,244,700	6,699,900	709,400	1,274,000	3,567,200	118,100	52,400	8,654,000	4,841,200	170,500	96,477	3	4	110,941	5	10
1873	654	809	3,483,505	15,161	1,374,900	7,173,000	1,054,700	1,333,700	3,628,000	157,000	52,600	9,602,600	4,961,700	209,600	109,564	10	6	115,210	16	6
1874	681	858	3,584,337	15,984	1,547,800	7,680,800	1,891,500	1,302,000	4,492,200	197,300	73,000	11,120,100	5,794,200	270,300	103,921	6	6	163,319	8	0
1875	752	967	3,787,757	17,670	1,719,100	9,540,900	2,457,900	1,385,900	4,876,700	274,700	82,300	13,717,900	6,262,600	357,000	107,761	7	10	194,041	0	11
1876	782	1,090	3,891,906	18,418	1,852,400	9,986,000	2,628,500	1,508,300	5,408,900	304,400	109,500	14,466,900	6,917,200	413,900	128,641	16	11	206,798	13	7
1877	810	1,180	4,095,530	19,508	1,979,500	11,579,500	2,950,000	1,652,000	6,733,000	263,600	135,000	16,509,000	8,385,000	398,600	154,170	18	3	226,305	5	6

*This amount does not include the cost of Ocean Mail Subsidy.

^bThis includes the amount of the postage contributions of the United Kingdom and the Australian Colonies to the cost of Ocean Mail Subsidy.

STATISTICS—1877.

245

MONEY ORDERS.

No. 134.—RETURN showing the Number and Amount of MONEY ORDERS issued, and the Number and Amount of MONEY ORDERS paid, at each Office in the Colony of New South Wales, during the Year 1877.

Name of Office.	Orders issued.		Orders paid.		Name of Office.	Orders issued.		Orders paid.	
	No.	Amount.	No.	Amount.		No.	Amount.	No.	Amount.
Sydney (Head Quarters.)	15,631	65,577 18 11	71,230	260,789 14 10	Currawang	78	231 0 11	46	164 2 9
Aberdeen	125	482 8 11	36	124 19 3	Dalmorton	54	224 14 9	10	32 19 5
Adaminaby	380	1,088 11 2	55	190 16 8	Dandaloo	1	8 0 0
Adelong	680	2,378 8 11	225	762 3 8	Dapto	67	124 14 4	12	37 8 6
Albury	681	1,923 9 1	672	2,614 5 0	Deniliquin	998	3,665 16 4	382	1,241 8 7
Anvil Creek	391	1,050 17 6	99	252 3 0	Denman	184	422 11 6	56	274 7 4
Appin	99	263 0 1	55	216 5 10	Dight's Forest	7	9 1 6	1	6 19 0
Araluen	407	1,075 1 6	320	879 9 6	Dubbo	1,137	3,727 5 7	503	2,150 5 0
Armidale	1,150	4,224 3 2	504	2,096 16 7	Dundee	47	173 19 0	9	44 4 0
Ashfield	204	495 4 10	186	601 15 6	Dungog	354	1,104 4 7	87	361 1 7
Ashford	31	149 0 9	14	71 3 4	East Maitland	653	2,338 8 9	414	1,373 9 11
Avisford	28	52 17 7	7	10 10 6	Eden	664	4,486 12 6	58	225 11 6
Ballina	289	1,390 16 8	37	167 12 8	Emu	47	141 6 9	67	246 16 1
Balmain	449	1,500 8 0	706	2,567 6 4	Euston	228	1,299 17 0	12	58 19 2
Balranald	241	925 16 0	42	223 13 4	Fernmount	224	1,107 0 4	41	238 4 0
Baradine	154	321 14 5	16	115 18 3	Forbes	888	3,287 0 3	354	1,578 1 5
Barraba	203	557 14 10	24	99 2 8	Forest Reefs	53	92 10 4	5	23 8 6
Batemans Bay	293	1,000 8 7	52	253 15 11	Frogmoor	214	829 16 11	9	53 5 9
Bathurst	2,285	7,739 2 2	2,605	9,903 13 3	Gegezerick	82	222 19 3	3	7 17 0
Bega	913	3,602 14 7	268	1,107 9 0	Germanton	374	1,682 11 3	34	155 17 4
Bendemeer	288	971 10 10	47	220 18 8	Gerogery	33	96 5 2	7	33 7 8
Berrima	362	900 7 3	96	286 7 2	Gilgandra	43	146 0 5	8	28 15 6
Binalong	361	1,475 19 6	63	239 8 3	Gladstone	149	660 7 5	5	14 18 8
Bingera	304	1,099 15 1	94	418 6 0	Glebe	75	212 0 8	184	594 14 5
Blackville	103	252 0 6	Glen Innes	570	2,337 5 7	309	1,218 4 5
Black Rock	2	10 19 0	Goderich	60	220 1 0	10	35 2 0
Blayney	439	1,318 12 4	182	891 5 0	Goonoo Goonoo	147	486 2 6	10	45 7 0
Bodalla	243	613 3 5	19	71 8 10	Gosford	361	1,634 15 10	80	412 10 8
Boggabri	132	415 19 7	18	120 16 2	Goulburn	2,067	7,649 12 3	2,196	8,128 7 10
Bombala	801	3,602 9 2	179	598 9 8	Grafton	1,410	5,449 19 11	619	2,457 3 6
Booligal	102	493 0 10	22	128 17 7	Grenfell	512	1,545 0 0	211	739 12 3
Botany	24	77 12 9	17	64 4 6	Gulgong	612	1,991 18 2	676	2,760 19 0
Bourke	1,116	5,818 12 2	146	439 1 9	Gundagai	880	3,281 16 11	256	926 6 3
Bourke-street	36	136 13 4	10	30 16 0	Gunnedah	533	1,852 12 0	193	723 0 2
Bowenfels	110	371 3 6	75	329 15 3	Gunning	446	1,462 6 10	150	512 4 6
Bowna	26	70 6 0	14	73 8 3	Guyong	82	246 7 0	20	66 1 9
Bowling	288	822 12 10	76	357 12 5	Hargraves	137	436 11 1	26	74 11 0
Braidwood	830	2,748 14 9	707	2,762 10 9	Hartley	841	6,267 18 5	123	479 5 2
Branxton	362	1,190 13 4	203	892 9 2	Hay	1,018	4,263 7 5	212	824 0 11
Breeza	96	374 0 11	11	47 6 8	Haymarket	968	3,526 8 3	375	1,558 17 2
Brewarrina	491	2,052 4 8	54	264 4 8	Hexham	86	253 11 2	246	1,032 2 3
Bringelly	48	107 17 8	16	33 12 0	Hill End	1,011	2,766 7 7	454	1,414 16 2
Broughton Creek	268	897 6 9	42	180 19 1	Hillston	96	392 12 0	27	129 16 6
Brushgrove	85	275 1 2	18	62 18 0	Home Rule	191	443 5 11	116	391 17 4
Bulli	145	474 17 0	13	43 14 3	Hoskins Town	44	134 15 7	4	20 13 0
Bundarra	367	1,340 12 3	67	255 19 9	Iford	125	297 4 3	51	326 16 3
Bungendore	305	809 3 10	67	203 15 3	Inverell	1,266	5,615 10 6	286	1,195 10 7
Burrawang	44	225 16 10	22	80 4 9	Ironbarks	417	1,696 6 9	37	122 19 2
Burrowa	690	2,722 5 11	177	693 4 10	Jamberoo	110	295 7 8	29	136 0 10
Burwood	165	503 15 9	188	731 2 9	Jerilderie	359	1,173 13 11	49	151 8 0
Cadia	53	98 3 4	13	64 17 0	Jordan's Crossing	264	881 0 1	31	156 13 4
Camden	307	897 18 6	249	904 0 10	Kelso	227	989 9 11	84	354 3 11
Campbelltown	256	828 7 1	241	805 15 9	Kempsey	301	1,169 6 0	94	409 6 10
Camperdown	39	172 13 6	66	191 16 9	Kiama	636	2,216 6 9	228	754 18 11
Cannonbar	118	387 6 1	11	55 16 6	Kiandra	355	1,667 10 3	47	266 14 7
Cape Hawke	82	220 16 4	11	64 11 3	Lambton	760	2,553 10 6	200	597 1 1
Carcoar	634	2,146 7 4	251	974 18 6	Lawrence	216	595 9 1	28	110 8 8
Cargo	197	893 0 10	33	127 0 8	Lidsdale	244	1,188 15 2	118	618 1 5
Carroll	110	242 19 5	16	53 15 4	Lionsville	75	187 7 5	9	20 8 6
Casino	410	1,358 5 2	154	714 13 2	Lismore	750	2,619 13 5	94	380 6 9
Cassilis	1,483	11,598 16 10	77	314 2 8	Lithgow	755	2,954 11 3	59	254 0 5
Catherine Hill Bay	56	190 16 1	3	12 10 1	Little Hartley	206	775 7 3	28	157 15 8
Chatsworth	Liverpool	342	1,026 16 9	231	686 3 10
Chatsworth Island	85	285 18 2	8	33 15 10	Lochinvar	127	493 8 4	188	917 16 6
Clarence Town	358	1,080 14 5	81	297 10 2	Lower Gundaroo	113	299 18 9	10	28 3 1
Collector	114	338 7 8	37	155 10 5	Lucknow	146	464 10 1	88	385 2 1
Condoblin	274	1,043 6 0	19	106 13 2	Lunatic Reefs	55	157 6 0	11	74 16 10
Coolah	282	1,076 19 2	24	134 2 2	Major's Creek	194	510 11 3	139	513 3 7
Cooma	1,113	3,706 3 7	331	1,199 16 5	Manilla	164	413 0 0	16	79 2 0
Coonabarabran	577	2,012 5 10	102	493 4 8	Manly	194	520 13 10	90	348 10 7
Coonamble	666	2,796 9 11	101	522 9 11	Maryland	33	66 1 0	7	51 2 0
Cooranbong	179	710 15 2	23	135 16 8	Merimbula	218	730 12 10	45	159 0 4
Coraki	103	472 9 10	26	175 15 10	Merriwa	458	1,906 8 6	60	234 7 2
Cootamundra	999	3,822 2 3	154	629 3 3	Michelago	122	348 14 1	25	96 13 3
Cowra	263	815 5 7	113	551 6 4	Milton	394	1,167 9 8	56	217 18 11
Cow Flat	143	382 2 0	70	343 8 10	Minni	372	1,121 10 11	47	139 15 0
Cowra	491	1,908 10 8	126	642 10 3	Mittagong	585	1,551 2 4	312	1,149 16 10
Crookwell	1	2 0 0	Moama	209	753 16 10	106	385 10 8
Cundletown	144	529 15 0	53	235 18 1	Molong	624	2,253 3 2	178	760 15 0
Currabubula	102	245 4 8	9	51 2 11	Molonglo	67	140 12 6	16	38 12 7
					Monga	88	394 17 3	10	38 14 6

MONEY ORDERS—continued.

No. 134 (continued).—RETURN showing the Number and Amount of MONEY ORDERS issued and paid—continued.

Name of Office.	Orders issued.		Orders paid.		Name of Office.	Orders issued.		Orders paid.	
	Number	Amount	Number	Amount		Number	Amount	Number	Amount
Moorooloolen ...	324	£ 872 7 5	93	£ 333 12 3	Somerton	49	£ 117 5 7	5	£ 32 0 0
Morree	269	1,282 10 1	35	160 12 0	South Grafton ...	215	909 15 1	87	559 18 6
Morpeth	404	1,340 12 3	362	1,282 2 2	Stanborough	348	2,966 3 11	9	42 5 6
Moruya	793	3,121 6 3	222	875 10 4	Stroud	755	5,116 7 11	90	360 2 1
Moss Vale	305	878 18 5	191	643 0 4	Summer Island...	12	77 16 6
Mount Victoria...	283	812 10 7	48	192 18 6	Tambaroora	138	401 11 8	80	173 11 8
Mudgee	1,820	6,073 1 2	996	3,655 5 6	Tambar Springs...	53	218 19 9	20	132 0 5
Murrumburrah ...	1,062	4,103 13 4	191	773 3 8	Tamworth	1,552	5,913 2 5	1,103	4,607 10 2
Murrurundi	1,369	5,604 8 5	1,043	4,869 12 6	Taralga	157	616 13 0	42	286 7 6
Muswellbrook ...	831	3,199 16 9	483	1,959 19 1	Tarana	185	565 1 0	7	18 14 0
Narrabri	723	3,646 12 10	234	867 10 1	Tarcutta	168	568 16 8	40	229 9 10
Narrandera	275	1,177 17 6	34	146 13 1	Taree	319	1,180 7 9	76	255 0 1
Nelligen	413	1,578 11 0	58	270 0 7	Tenterfield.....	444	1,710 0 0	157	542 0 8
Nerrigundah	67	282 3 4	10	34 12 8	Terara	394	1,154 14 8	96	329 10 8
Newcastle	4,259	15,976 10 3	2,467	8,742 11 3	Tocumwal	277	1,457 19 3	10	50 14 3
Newtown	595	1,895 10 4	710	2,535 1 1	Trunkey Creek ...	188	882 14 8	90	470 9 0
Nimitybelle	433	2,263 13 2	26	111 4 9	Tuena	144	521 9 10	22	55 14 4
North Wardell ...	136	503 12 2	14	49 9 11	Tumberumba.....	271	1,223 12 6	20	59 7 0
Nowra	186	594 10 2	88	318 13 4	Tumut	533	1,564 7 8	212	795 8 0
Numba	132	433 1 2	37	163 7 0	Twced Junction...	73	191 8 7	36	225 6 5
Nundle	292	1,386 17 10	122	431 7 6	Ulladulla	57	149 16 10	26	88 19 4
Oberon	322	1,086 15 6	42	184 3 11	Umarra	237	782 9 4	31	172 12 10
Obley	55	230 17 2	24	102 18 6	Uralla	554	1,943 3 3	152	698 19 0
Orange	2,748	9,963 0 9	1,094	4,425 1 9	Urama	236	749 0 10	63	286 11 7
Oxford-street....	1,080	3,284 1 5	915	2,960 2 11	Upper Gundaroo ...	135	338 17 5	54	274 17 0
Paddington	347	1,197 5 5	271	894 12 8	Vegetable Creek ..	723	3,273 2 0	73	307 6 9
Panbula	193	764 5 0	34	165 11 4	Wagga Wagga ...	1,681	7,182 15 5	732	2,934 18 1
Parkes	682	2,204 7 9	390	1,662 15 2	Walcha	478	1,703 12 3	66	256 11 9
Parramatta	703	2,280 5 3	1,097	3,327 8 6	Walgett	583	2,939 6 5	98	611 4 6
Parramatta-street	558	1,771 16 11	493	1,692 12 0	Wallabadah	219	796 8 10	42	250 0 8
Paterson	335	1,640 18 9	94	505 18 2	Wallsend	766	2,157 4 4	325	1,152 17 8
Penrith	442	1,289 0 9	405	1,413 1 10	Waratah	303	894 16 8	110	391 2 6
Petersham	133	294 10 2	152	838 18 3	Warialda	309	1,257 9 6	88	342 15 7
Picton	356	1,106 3 10	164	756 18 11	Warren	350	1,333 15 7	44	209 0 0
Pilliga	177	559 6 5	16	99 18 1	Watson's Bay ...	36	49 10 1	13	53 17 10
Port Macquarie...	744	4,105 10 0	141	607 7 0	Wattle Flat	181	587 8 5	74	301 14 0
Pymont	457	1,517 13 9	110	361 19 7	Waverley	147	258 13 0	89	250 4 2
Queanbeyan	783	2,785 6 2	322	1,005 17 2	Wee Waa	360	1,902 19 3	22	91 2 9
Quirindi	564	2,218 0 2	123	571 8 4	Wellingrove	69	227 9 11	12	90 4 6
Randwick	50	241 1 5	96	209 15 4	Wellington	733	2,993 12 0	260	1,026 7 1
Rankin's Springs	13	54 12 6	1	3 0 0	Wentworth	314	1,359 19 6	68	320 17 2
Raymond Terrace	272	769 7 9	245	1,311 9 4	West Kempsey ...	245	1,064 9 4	83	341 7 5
Redfern	617	1,563 1 8	755	2,299 9 3	West Maitland ...	1,683	6,645 4 2	2,693	9,617 8 11
Reedy Flat	83	168 2 0	10	49 7 7	Wilcannia	327	1,137 2 11	45	175 15 9
Richmond	533	1,577 13 8	230	1,032 7 10	William-street ...	1,117	4,005 4 1	484	1,658 9 10
Rockley	188	540 7 5	56	259 16 11	Windeyer	102	590 18 8	48	195 16 6
Rocky Mouth ...	423	1,276 6 4	51	266 14 11	Windsor	752	2,604 0 2	429	1,741 9 5
Rookwood	15	53 10 0	9	38 4 8	Wingham	623	4,591 2 8	68	290 10 1
Rydal	202	627 16 0	75	303 6 11	Wiseman's Ferry..	171	581 6 0	22	92 13 0
Ryde	106	327 18 6	69	302 12 5	Wollar	24	74 10 6	2	11 0 0
Rylstone	369	1,013 15 0	97	413 6 2	Wollombi	379	2,129 5 5	66	409 3 7
St. Leonards	244	654 1 2	173	660 13 2	Wollongong	955	3,631 11 9	374	1,378 2 2
St. Mark's	27	88 9 6	6	20 7 0	Wombat	85	304 5 10	29	178 6 9
St. Mary's	294	753 4 2	40	109 7 2	Woollahra	112	239 2 9	110	380 8 4
St. Peter's	101	294 9 7	39	164 16 10	Woonona	228	787 12 4	32	113 14 0
Scone	797	2,709 19 7	152	748 2 5	Yass	1,359	5,165 5 3	644	2,371 9 0
Singleton	1,352	4,858 5 10	650	2,740 1 3	Young	1,286	4,374 4 7	531	1,926 15 9
Sofala	365	922 2 8	149	471 12 3					
Solferino	26	126 6 0	1	9 0 0					
					General Total...	129,120	494,468 19 2	120,493	450,476 15 9

No. 135.—RETURN showing the Number of MONEY ORDER OFFICES in New South Wales, the Revenue received for Commission on Orders during 1877, the Number and Amount of Money Orders issued in New South Wales during that year, and the places at which they were made payable; also, of Money Orders paid in New South Wales during the same year, and the places at which they were originally issued.

Number of Money Order Offices in New South Wales... 273						Revenue received for Commission on Orders... £5,247 18s. 6d.											
Orders issued in New South Wales, made payable at places in—																	
New South Wales.		United Kingdom.		Victoria.		New Zealand.		South Australia.		Queensland.		Tasmania.		Western Australia.		Total.	
No.	Amount.	No.	Amount.	No.	Amount.	No.	Amount.	No.	Amount.	No.	Amount.	No.	Amount.	No.	Amount.	No.	Amount.
103,992	£ 397,094 5 1	10907	£ 44,976 4 2	9,812	£ 34,324 5 10	877	£ 3,609 5 8	774	£ 2,981 9 3	2,149	£ 8,607 7 3	587	£ 2,719 2 11	22	£ 96 19 0	129,120	£ 494,468 19 2
Orders paid in New South Wales, originally issued at places in—																	
New South Wales.		United Kingdom.		Victoria.		New Zealand.		South Australia.		Queensland.		Tasmania.		Western Australia.		Total.	
No.	Amount.	No.	Amount.	No.	Amount.	No.	Amount.	No.	Amount.	No.	Amount.	No.	Amount.	No.	Amount.	No.	Amount.
103,596	£ 399,061 13 5	1,586	£ 6,602 9 5	6,238	£ 15,132 13 7	2110	£ 6,340 1 8	992	£ 3,285 2 4	5,226	£ 17,443 4 6	668	£ 2,242 19 10	82	£ 368 6 0	120,493	£ 450,476 15 9

STATISTICS—1877.

MONEY ORDERS—continued.

No. 136.—DECENNIAL RETURN showing the Number and Amount of MONEY ORDERS issued and paid in the Colony.

Year.	Issued.		Paid.		Year.	Issued.		Paid.	
	Number.	Amount.	Number.	Amount.		Number.	Amount.	Number.	Amount.
1868	56,492	£ 247,488 s. 19 d. 10	50,437	£ 222,570 s. 11 d. 8	1873	92,744	£ 420,294 s. 4 d. 0	82,886	£ 381,871 s. 9 d. 1
1869	66,062	288,476 1 9	59,129	263,297 18 2	1874	95,957	430,505 6 1	86,005	399,059 13 6
1870	65,743	289,325 0 4	58,386	258,321 12 4	1875	100,293	419,622 9 8	89,572	380,293 7 11
1871	69,750	293,370 9 11	63,629	271,842 7 2	1876	112,684	465,770 10 11	101,492	421,161 15 8
1872	87,435	393,882 2 0	79,895	366,176 0 8	1877	129,120	494,468 19 2	120,493	450,476 15 9

MONEYS PAID FOR IMMIGRATION.

No. 137.—DECENNIAL RETURN showing the Amount of Money paid out of the Revenues of the Colony, on account of IMMIGRATION.

Year.	Expenses in England in connection with Immigration.	Gratuities to Surgeon-superintendents, Masters, Officers, Overseers, and others.	Lodging, Maintenance, Conveyance, and other Expenses of Immigrants after arrival.	Salaries and Contingent Expenses of Agents for Immigration in the Colony.	Advances from the Colonial Treasury to the Land and Emigration Commissioners, including Premium on Bills of Exchange.	Immigration Remittances under the Regulations, including Commission on Collection and Refunds to Depositors.	Passage-money of Immigrants.	Expenses of Quarantine.	Miscellaneous.	Total Outlay.	Number of Immigrants the cost of whose introduction was paid by the Government.
	£ s. d.	£ s. d.	£ s. d.	£ s. d.	£ s. d.	£ s. d.	£ s. d.	£ s. d.	£ s. d.	£ s. d.	
1868	1,041 12 0	1,294 11 7	6,700 0 0	1,426 5 0	740 8 7	11,202 17 2	470	
1869	2 0 0	481 14 1	1,230 0 0	297 0 0	364 18 1	2,395 12 2	* 47	
1870	185 2 0	400 0 0	44 0 0	474 11 6	1,103 13 6	
1871	255 8 0	292 15 10	1,350 0 0	4 0 0	2,039 0 3	3,648 8 3	357	
1872	354 5 0	354 13 8	4,500 0 0	9 0 0	2,787 16 3	8,005 14 11	326	
1873	1,011 15 3	125 15 0	277 13 11	4 0 0	699 3 9	1,640 9 7	3,758 17 6	140	
1874	466 15 0	808 10 0	860 14 11	3,897 13 8	12,155 19 0	18,189 12 7	1,080	
1875	1,626 14 5	1,607 11 6	5,511 9 8	5,991 8 1	224 12 5	14,961 16 1	973	
1876	6,217 6 3	1,780 2 0	973 16 6	6,822 7 6	54 3 0	15,847 15 3	1,463	
1877	52,458 10 0	7,971 16 4	3,869 0 1	74,299 6 5	* 6,018	

^a See foot-note on page 4.
^b Includes £1,626 19s. 7d., expenses in connection with publication of pamphlet—"New South Wales: the Oldest and Richest of the Australian Colonies."
^c This number includes the assisted immigrants (761) who arrived from New York.

MILITARY EXPENDITURE.

No. 138.—DETAILS of EXPENDITURE incurred by the Colony, in the Year 1877, on account of its DEFENCE, and for MILITARY and NAVAL SERVICES.

PARTICULARS.	AMOUNT.
MILITARY.	
Repairs to Military and Volunteer Buildings	£ 4,364 s. 4 d. 9
Colonial Military Stores and Gunpowder Magazines	25,728 4 7
Towards completing the Fortifications, Port Jackson	15,535 1 6
	45,627 10 10
PERMANENT AND VOLUNTEER MILITARY FORCES.	
General Staff	6,707 9 7
Artillery Force	27,883 5 8
Volunteer Force	7,271 8 8
Public School Cadet Corps	375 17 3
	42,238 1 2
TOTAL, MILITARY	£ 87,865 12 0
NAVAL.	
Rent of House for the Commodore commanding the Naval Squadron on this Station	375 0 0
Naval Brigade	6,121 12 8
TOTAL, NAVAL	£ 6,496 12 8
GENERAL TOTAL	£ 94,362 4 8

LOCAL REVENUES.

SYDNEY MUNICIPALITY.

No. 139.—ABSTRACT of the RECEIPTS and DISBURSEMENTS of the Municipal Council of the City of Sydney, for the Year 1877.

RECEIPTS.			DISBURSEMENTS.			
CITY FUND.						
<i>(Incorporated by Act of the Colonial Legislature, 20 Vic. No. 26.)</i>						
	Revenue.	Total Amount.		Salaries.	Contingencies.	Total Amount.
	£ s. d.	£ s. d.		£ s. d.	£ s. d.	£ s. d.
City Rate raised by assessment under the authority of the Act of Council, 17 Vic. No. 33	45,672 18 0		Office of Mayor	800 0 0		
Watering Street Rate, raised by assessment under the authority of the Act of Council, 18 Vic. No. 30	3,448 4 10		Town Clerk	496 16 3		
Fees and Fines under the Building Act, Police Act, &c.	2,746 19 1		Surveyor	2,206 17 4		
Rents and Dues from George-street Markets ..	6,826 3 7		Treasurer	625 0 0		
Belmore Markets	1,529 7 4		Solicitor	116 13 4		
Eastern Markets	833 3 11		Health Officer	325 0 0		
Rent of Public Baths	408 3 4		Inspector of Nuisances ..	718 6 8		
City Wharves	2,087 0 4		Clerk of Markets	417 18 4		
Randwick Road	529 11 0		City Architect	425 0 0		
Repayment for Paving	1,041 14 5		Office-keeper and Messenger	214 10 0		
Cleansing Closets	147 8 6		Auditors	25 0 0		
Repayment of Works	1,192 3 2					6,371 1 11
Proceeds of Sale of Stores	176 19 3		MISCELLANEOUS			
Rent of City Property	476 0 0		Interest Expenses		6,200 19 3	
Removal of Rubbish	19 7 0		Expenses of City Markets ..		1,876 9 11	
Proceeds of Sale of Street Sweepings	5 5 3		City Improvements—Wages ..		38,243 15 5	
Citizens' Lists	11 9 0		Street Works		20,379 7 9	
Disinfectants	72 0 11		Metal		7,000 18 3	
Fees from Revision Courts	11 1 0		Lighting the City with Gas ..		7,154 19 7	
Sale-yard Dues	79 13 4		Town Hall Building		3,650 18 4	
Agistment	0 12 0		Law Expenses		700 8 3	
Repayment of Advances	10,697 4 9		City Wharves		35 4 9	
Endowment from the Colonial Government ..	20,000 0 0		Printing		140 11 2	
Parliamentary Grant	38,143 5 6		Stationery		100 1 9	
		136,155 15 6	Advertising		70 2 8	
			Election Expenses		34 15 3	
			Office Repairs, Furniture, Fuel, &c.		55 7 2	
			Cab-hire		107 7 6	
			Copying Notices		90 18 11	
			Auctioneer's License		12 11 0	
			Regulating Clocks		41 14 6	
			Public Baths		1,692 2 0	
			Collecting Citizens' Lists ..		67 0 0	
			New Assessment of the City ..		344 19 0	
			Compensation for Land		585 0 0	
			Organ Repairs, &c.		360 0 0	
			Purchase of Disinfectants ..		92 5 10	
			Bunnerong Road Trustees ..		62 2 9	
			Gratuity		325 0 0	
			Sinking Fund		300 0 0	
			Special Matter—			89,615 1 0
			The Colonial Government Amount transferred to Sewerage Fund ..			20,000 0 0
			Balance due by Union Bank, 31 December, 1876		4,177 0 11	
			Balance due by Union Bank, 31 December, 1877		24,146 13 6	
						19,900 12 7
		£ 136,155 15 6				£ 136,155 15 6
WATER FUND.						
<i>(Incorporated by Acts of the Colonial Legislature, 1 Vic. No. 35 and 20 Vic. No. 26.)</i>						
From Water laid on to Houses	49,150 9 1		Salaries of Officers generally ..	3,164 2 3		3,164 2 3
Rent of Fountains	51 12 0		MISCELLANEOUS.			
Interest and Premium on Debentures	981 19 8		General Works—Wages	10,009 12 6		
Repayment of Works	122 4 0		Castings	7,788 11 10		
Rents	36 8 0		Tools, Repairs, &c.	1,569 6 2		
Plumbers' Licenses	79 16 0		Reservoirs	4,495 0 3		
Proceeds of Sale of Stores	115 17 7	50,538 6 4	Botany Works—Wages	5,288 19 3		
Special Matter—			Coal	4,854 11 6		
Proceeds of Sale of Debentures		30,000 0 0	Machinery	2,626 10 9		
			Interest Expenses	6,567 4 11		
			Office Expenses	666 13 4		
			Rates—Paddington	49 17 4		
			Purchase of Land	660 0 0		
			Special Matter—			44,816 7 10
			Balance due to Union Bank, 31 December, 1876		9,351 9 8	
			Balance due by Union Bank, 31 December, 1877		23,206 6 7	
						32,557 16 3
		£ 80,538 6 4				£ 80,538 6 4
SEWERAGE FUND.						
<i>(Incorporated by Acts of the Colonial Legislature, 17 Vic. No. 34 and 20 Vic. No. 36.)</i>						
Repayment of Works	513 0 0	513 0 0	Salaries of Officers generally ..	919 17 10		919 17 10
Special Matter—			MISCELLANEOUS.			
The Colonial Government, transferred from City Fund		20,000 0 0	General Works—Wages	2,767 18 7		
Balance due to Union Bank, 31 December, 1876	25,629 7 3		Construction of Sewers, Pipes, and Repairs	10,832 14 8		
Balance due to Union Bank, 31 December, 1877	34,173 8 1	8,544 0 10	Interest Expenses	14,386 9 9		
			Gratuity to Mrs. Docherty ..	150 0 0		
		£ 29,057 0 10				23,137 3 0
						£ 29,057 0 10

NOTE.—Year 1877. Number of Persons paying City Rates, 16,590. Estimated annual value of Ratable Property, £947,000. Amount of Rate struck per £ sterling, 1s. Estimated extent of roads, streets, and lanes in Municipality,—about 100 miles.

MUNICIPALITIES.

No. 140.—RETURN showing the TOTAL ESTIMATED VALUE, and ANNUAL VALUE OF RATABLE PROPERTY in the several BOROUGHs and MUNICIPAL DISTRICTS of the Colony (excepting Sydney) at the time the last Rate was struck; also, the RECEIPTS and EXPENDITURE, &c., in the Municipal Year, commencing Tuesday, 6th February, 1877, and ending Monday, 4th February, 1878.

10-21

Boroughs or Municipal Districts.	When Proclaimed.	Date when last Rate was struck.	Amount of Rate struck per Pound sterling.		Total Estimated Value of Ratable Property.	Estimated Annual Value of Ratable Property upon which Rates are struck.	Receipts.							Expenditure.							Total Extent of Roads and Streets.		
			Ordinary Rate.	Special Rate.			Ordinary Rates.	Special Rates.	Subscriptions, &c.	Loans.	From Government.	Total Receipts.	Office Expenses and Salaries.	For Public Works.	For Special Works.	Miscellaneous.	Repayment of Loans and Interest.	Total.	Made.	Unmade.	Total.		
Boroughs.			s.	d.	£	£	£ s. d.	£ s. d.	£ s. d.	£ s. d.	£ s. d.	£ s. d.	£ s. d.	£ s. d.	£ s. d.	£ s. d.	£ s. d.	£ s. d.	£ s. d.	Miles	Miles	Miles	
Albury	4 June, 1859	24 May, 1877	1	0	220,000	23,170	918 18 4	131 5 5	285 17 2	220 0 0	1,556 0 11	459 1 6	1,836 19 3	205 9 4	186 12 0	63 0 10	2,751 2 11	124 1/2	53 8	65 1/2		
Alexandria	27 Aug., 1863	25 Apl., 1877	1	0	150,070	15,007	746 7 9	30 0 0	337 11 9	1,613 19 6	98 12 10	762 4 1	5 5 0	140 12 6	1,006 14 5	5	13		
Armidale	13 Nov., 1863	— Apl., 1877	1	0	112,500	9,300	471 10 11	150 18 6	790 1 8	1,412 11 1	150 10 7	925 8 8	44 18 1	92 2 9	1,006 14 5	20	29 1/2	49 1/2		
Ashfield	23 Dec., 1871	7 May, 1877	1	0	340,000	25,000	820 17 0	79 19 8	1,699 9 1	2,600 5 9	239 7 7	1,780 12 2	2,019 0 1	18	30		
Balmain	21 Feb., 1860	17 Apl., 1877	1	0	1,220,730	64,993	2,832 13 9	858 2 1	688 6 1	3,338 3 8	7,717 5 7	506 13 7	5,125 14 4	686 0 1	880 1 3	313 3 5	7,511 12 8	30	30		
Bathurst	13 Nov., 1862	— Feb., 1877	1	0	646,400	51,712	2,371 15 1	592 2 8 1/2	449 19 6	4,304 19 1	7,778 16 4 1/2	500 0 0	2,224 6 1	675 3 0	723 19 6	235 16 7	4,359 5 2	17	40	57		
Burwood	27 Mar., 1874	— May, 1877	1	0	157,000	16,000	655 10 10	231 6 6	776 12 5	1,713 9 9	290 7 0	968 18 9	1,788 5 9	17	2	19		
Camperdown	13 Nov., 1862	10 Apl., 1877	1	0	130,000	12,000	465 13 5	151 17 9	328 8 6	1,445 19 8	174 16 0	412 8 3	529 0 0	7 1/2	1 1/2		
Central Illawarra	19 Aug., 1859	27 Apl., 1877	1	0	135,550	13,555	609 19 5	753 18 6	1,363 17 11	131 6 3	630 7 2	7 13 0	1,073 9 10	90		
Cudgegong	20 July, 1860	31 May, 1877	1	0	532,591	21,630	984 16 0	637 4 6	1,622 0 6	194 17 0	796 17 10	50 7 0	541 7 3	1,583 9 1	70	200	270		
Darlington	11 Aug., 1864	10 Apl., 1877	1	0	141,876	10,134	492 14 2	114 0 9	597 6 8	1,204 1 7	94 7 5	303 10 6	115 16 6	603 14 5	1 1/2	1 1/2		
The Glebe	1 Aug., 1859	5 Apl., 1877	1	0	489,500	56,676	2,327 0 3	581 14 9	2,257 15 0	2,327 15 0	3,000 0 0	4,622 16 2	2,201 12 8	516 5 11	290 13 2	3,561 7 11	9	3	12		
Goulburn	4 June, 1859	11 Apl., 1877	1	0	251,200	31,400	1,072 4 1	554 1 3	2,097 18 3	3,724 3 7	182 10 6	1,386 1 9	350 11 7	1,400 0 0	3,319 9 4	24 1/2	24 1/2		
Grafton	19 July, 1859	9 May, 1877	1	0	200,000	22,042	1,088 13 6	182 15 0	1,051 12 1	2,323 0 7	184 10 8	442 0 4	695 7 1	3	40	48		
Hill End	6 Aug., 1873	24 Apl., 1877	1	0	63,910	6,391	273 12 6 1/2	2 15 0	709 3 3	985 10 9 1/2	61 8 4	574 18 11	678 6 6 1/2	25	25		
Hunter's Hill	5 Jan., 1861	16 Mar., 1877	1	0	100,000	7,290	301 0 2	14 12 0	423 17 9	739 9 11	36 1 9	82 1 0	41 19 3 1/2	695 7 1	3	40	48		
Kiama	11 Aug., 1859	31 July, 1877	1	0	303,550	15,220	605 6 9	56 0 0	1,321 1 9	1,982 8 6	146 10 0	1,388 10 5	9 7 1	240 3 2	307 13 0	12	3	15		
East Maitland	10 Mar., 1862	10 Apl., 1877	1	0	12,760	1,760	565 11 1	111 19 0	1,007 7 3	1,684 17 4	159 4 3	774 11 0	118 15 6	1,653 15 11	15	93	108		
West Maitland	13 Nov., 1863	28 Mar., 1877	1	0	370,020	37,002	1,762 9 4	82 19 6	2,384 12 0	4,230 0 10	417 13 3	1,211 0 6	151 10 0	1,085 5 3	20	27		
Marrickville	1 Nov., 1861	26 Mar., 1877	1	0	404,180	20,209	789 8 6	195 13 3	929 11 6	1,914 13 3	90 0 0	817 18 0	2,128 14 3	*	*		
Morpeth	1 Dec., 1865	20 Mar., 1877	1	0	93,100	7,702	340 18 1	444 9 3	1,196 13 0	124 7 1	969 17 8	1,360 15 4	24	24		
Mudgee	21 Feb., 1860	28 Mar., 1877	1	0	358,870	17,481	871 11 4	411 5 8	528 5 10	1,399 17 2	154 12 9	88 1 6	60 14 2	41 14 1	1,196 13 0	9 1/2	4 1/2	14		
Newcastle	7 June, 1859	21 Apl., 1877	1	0	1,135,000	53,678	5,049 2 6	1,274 1 9	4,456 2 6	10,779 6 9	517 13 10	6,283 13 4	817 16 4	505 5 0	439 7 3	883 5 7	14 1/2	8	22 1/2		
Newtown	12 Dec., 1862	27 Apl., 1877	1	0	391,485	42,665	1,853 0 6	81 3 10	663 8 7	1,997 12 0	4,595 4 11	286 19 3	1,627 2 9	478 4 0	62 7 3	16		
North Willoughby	22 Nov., 1865	7 Apl., 1877	1	0	180,240	6,143	291 4 3	11 0 0	425 8 6	727 12 9	77 13 1	344 9 5	422 2 6	20	20		
Orange	9 Jan., 1860	25 Apl., 1877	1	0	224,800	20,692	852 8 9	122 12 3	98 19 0	1,365 12 7	950 8 7	3,320 1 2	418 15 3	924 14 4	210 16 11	679 12 3	2,233 18 9	12	24	14 1/2	
Paddington	17 Apl., 1860	27 Mar., 1877	1	0	646,800	46,200	1,823 14 0	584 12 11	505 11 1	2,967 17 9	5,851 15 9	247 3 11	2,448 6 8	577 16 10	141 13 10	756 7 3	4,171 8 6	11	7	18		
Parramatta	27 Nov., 1861	9 Apl., 1877	1	0	240,000	29,460	1,263 4 0	48 2 10	1,873 10 3	3,184 17 1	300 0 0	1,900 10 1	48 0 0	90 0 0	2,338 10 1	35	10	45		
Petersham	14 Dec., 1871	3 Apl., 1877	1	0	199,370	13,225	684 6 9	40 6 8	3,390 18 7	1,115 12 0	116 2 9	1,211 6 1	30 0 0	25		
Plattsburg	27 Dec., 1876	5 Apl., 1877	1	0	170,430	17,533	820 3 5	13 19 0	1,323 1 9	2,162 4 2	148 19 0	1,150 4 6	65 10 3	13		
Randwick	22 Feb., 1859	27 Mar., 1877	1	0	170,000	15,866	697 0 3	0 7 6	58 19 7	534 9 0	1,290 16 4	209 4 2	597 5 0	1,364 13 9	3	10	13		
Redfern	11 Aug., 1859	16 Mar., 1877	1	0	720,000	59,600	3,012 15 2	758 11 8	880 0 6	3,461 3 3	8,112 10 7	468 6 0	4,370 10 5	523 17 6	1,112 1 9	6,474 16 6	14	2	16		
Richmond	18 June, 1872	23 Apl., 1877	1	0	88,972	4,449	222 8 7 1/2	16 11 6	499 3 1	738 3 2 1/2	76 12 8	372 10 7	449 3 3	5 1/2	1 1/2	7		
Shellharbour	4 June, 1859	16 May, 1877	1	0	151,750	12,140	520 1 7	37 4 3	461 9 6	1,018 15 4	104 19 3	997 18 4	108 4	1,113 5 11	56	10	66	
Singleton	30 Jan., 1866	2 May, 1877	1	0	99,180	9,913	471 11 6	34 17 6	795 3 10	1,301 12 10	161 13 10	199 9 9	17 5 6	563 2 0	941 11 1	4	7 1/2	11 1/2
East St. Leonards	17 Aug., 1860	10 May, 1877	1	0	160,000	17,000	723 5 11	147 6 5	918 13 3	1,789 5 7	78 19 9	997 9 8	164 14 8	1,371 2 1	20	5	25		
St. Leonards	31 May, 1867	21 Mar., 1877	1	0	125,000	12,300	668 18 7	73 0 0	1,068 13 1	1,810 11 3	96 4 7	768 17 6	1 6 8	5		
Tamworth	17 Mar., 1876	1 May, 1877	1	0	188,109	21,895	842 11 5	24 14 0	2,276 3 9	3,143 9 2	416 8 4	1,530 3 4	112 6 6	1 5 6	2,110 8 8	4	21	25
Victoria	20 Jan., 1871	23 Mar., 1877	1	0	363,300	18,180	635 3 3	205 16 10	352 9 4	1,231 2 5	2,424 11 10	116 8 3	1,270 3 1	185 2 9	40 13 8	385 0 0	1,997 7 9	3 1/2	2 1/2	6		
Wagga Wagga	15 Mar., 1870	26 Apl., 1877	1	0	325,000	32,500	1,469 7 2	53 8 9	2,051 9 11	3,574 5 10	138 14 8	1,589 4 5	2,024 16 4	12 1/2	37 1/2	50		
Wallsend	27 Feb., 1874	19 Mar., 1877	1	0	201,722	16,074	680 15 5	242 6 3	2,058 13 3	2,981 14 11	135 18 9	982 10 4	679 17 7	12		
Waterloo	16 May, 1860	27 Apl., 1877	1	0	257,375	21,448	1,007 14 9	200 0 0	1,068 2 6	2,275 17 3	235 11 2	732 14 5	200 0 0	1,163 5 7	6 1/2	6 1/2	
Waverley	13 June, 1859	3 Apl., 1877	1	0	399,940	19,997	713 11 10	238 18 6	41 5 8	400 0 0	1,125 15 1	2,519 11 1	98 18 2	917 17 8	279 17 6	110 18 9	466 13 3	1,874 10 4	10 1/2	15	25 1/2		
Windsor	4 Mar., 1871	25 Apl., 1877	1	0	75,120	7,512	392 7 0	28 6 0	573 2 11	903 15 11	99 6 3	403 3 0	15 0 0	514 9 3	8	8	
Willongong	22 Feb., 1859	27 Mar., 1877	1	0	140,000	7,000	397 16 4	52 11 0	266 11 6	348 17 1	1,065 15 11	67 9 3	600 9 0	121 6 2	276 11 6	1,065 15 11	14
Woollahra	17 Apl., 1860	10 Apl., 1877	1	0	1,300,000	65,000	2,848 10 9	583 9 1															

MUNICIPALITIES—continued.

No. 140 (continued).—RETURN showing the TOTAL ESTIMATED VALUE and ANNUAL VALUE OF RATABLE PROPERTY in the several BOROUGHS, &c.—continued.

Boroughs or Municipal Districts.	When Proclaimed.	Date when last Rate was struck.	Amount of Rate struck per Pound sterling.		Total Estimated Value of Ratable Property.	Estimated Annual Value of Ratable Property upon which Rates are struck.	Receipts.						Expenditure.						Total Extent of Roads and Streets.																													
			Ordinary Rate.	Special Rate.			Ordinary Rates.	Special Rates.	Subscrip- tions, &c.	Loans.	From Government	Total Receipts.	Office Expenses and Salaries.	For Public Works.	For Special Works.	Mis- cellaneous.	Repayment of Loans and Interest.	Total.	Made.	Un- made.	Total.																											
			s.	d.	£	£	£	s.	d.	£	s.	d.	£	s.	d.	£	s.	d.	£	s.	d.	Miles	Miles	Miles																								
MUNICIPAL DISTRICTS																																																
West Botany	13 Jan., 1871	23 April, 1877	1	0	56,220	4,258	272	11	3		191	12	0		230	14	6	694	17	9	115	6	7	526	10	0																						
Broughton Creek and Bombaderry.	24 Oct., 1868	14 April, 1877	1	0	63,384	6,638	298	14	7		28	0	0		523	19	10	850	14	5	97	2	1	166	18	9			24	20	54																	
Broughton Vale	22 April, 1871	21 April, 1877	1	0	24,000	2,000	97	17	6						110	16	4	208	13	10	31	7	7	65	9	6																						
Demiliquin	16 Dec., 1868	27 April, 1877	1	0	214,390	26,799	1,247	1	0		3,149	10	8	1,800	0	0	1,647	16	6	7,844	8	2	737	16	4	2,893	13	4			5	*	5															
Dubbo	Feb., 1872	30 July, 1877	1	0	180,000	12,500	484	12	11						413	3	7	897	16	6	149	4	8	658	6	0			18		18																	
Five Dock	25 July, 1875	9 April, 1877	1	0	200,500	6,000	257	0	0		6	0	0		335	13	4	598	13	4	108	10	8	265	1	0			14	8	22																	
Forbes	27 April, 1870	8 May, 1877	1	0	150,000	10,000	322	6	1		104	0	0		648	1	8	1,074	7	9	247	10	1	440	11	5			13	100	101½																	
Gerringsong	22 April, 1871	9 April, 1877	1	0	135,230	6,769	429	13	6						394	5	1	823	18	7	54	7	6	109	13	8			12		48																	
Glen Innes	17 June, 1872	1 May, 1877	1	0	65,230	12,729	640	0	7			419	7	11	746	19	0	1,806	7	6	125	0	5	765	6	10			5	45	50																	
Gulgong	5 Feb., 1876	16 April, 1877	1	0	83,640	8,364	389	4	5		3	2	0		745	15	5	1,138	1	10	89	10	4	642	13	10			15	25	40																	
Hamilton	11 Dec., 1871	28 Feb., 1877	1	0	334,699	22,957	781	16	10			1,500	0	0	1,197	11	8	3,479	8	6	144	16	6	1,097	16	2			3	5½	8½																	
Hay	10 June, 1872	29 Mar., 1877	1	0	165,350	16,535	888	14	7		303	16	5		1,849	4	3	3,041	15	3	194	2	8	2,140	8	11			2½	18½	21																	
Inverell	4 Mar., 1872	14 May, 1877	1	0	90,000	9,000	479	0	6		2	5	0		652	5	11	1,133	11	5	†436	17	7	1,086	3	6			15	20	35																	
Lambton	24 June, 1871	17 April, 1877	1	0	178,560	14,880	604	13	1		3	2	0		1,285	3	5	1,392	18	6	92	12	10	1,161	10	9			107	5	8	8	16															
Leichhardt	14 Dec., 1871	30 April, 1877	1	0	300,500	22,000	437	0	0		62	10	0		832	2	10	1,331	12	10	193	10	1	887	7	11			1,130	18	0	11	11	22														
Liverpool	27 June, 1872	10 May, 1877	1	0	66,000	6,700	304	3	7		20	7	4		752	5	2	1,076	16	1	96	4	0	754	2	4			29	5	0	879	11	4	9	2	11											
Macdonald Town	23 May, 1872	— April, 1877	1	0	41,520	4,152	167	18	7		42	14	9		415	19	11	626	18	3	42	10	0	318	6	3			58	15	3	443	11	6	4	1½	5½											
Manly	6 Jan., 1877	12 April, 1877	1	0	187,960	15,796	538	11	4		295	7	6		621	18	3	1,455	17	1	224	12	0	1,173	3	4			54	12	6	0	11	9	1,452	19	7	3½	*	3½								
Muswellbrook	13 April, 1870	2 May, 1877	1	0	75,811	6,065	194	8	10		26	6	0		410	4	6	630	19	4	77	15	10	287	8	3			118	0	0	483	4	1	8½		34											
The North Illawarra	24 Oct., 1868	4 April, 1877	1	0	99,000	4,943	223	4	4		137	9	11		376	0	7	739	14	10	62	0	0	284	0	9			31	19	10			378	0	7	20	14	34									
Nowra	29 Dec., 1871	8 May, 1877	1	0	40,000	2,894	107	18	1		26	9	8		247	8	2	381	15	11	72	13	0	221	2	1			83	0	10			381	15	11	13	15	28									
Numba	24 Oct., 1868	12 April, 1877	1	0	46,000	4,214	171	15	10		5	0	0		263	0	0	444	15	10	87	3	6	115	8	6			202	12	0	25	10	35														
Penrith	12 May, 1871	13 May, 1877	1	0	129,000	8,791	402	10	9½		5	2	0	37	0	0	723	16	5	1,163	9	2½	110	0	0	666	6	7			34	16	1	37	5	0	848	7	8	45		45						
Prospect and Sherwood.	5 July, 1872	3 April, 1877	1	0	46,519	4,229	195	2	6						433	0	7	623	3	1	66	2	4	399	13	10			465	16	2	35		35														
Ryde	11 Nov., 1870	29 Mar. 1877	1	0	90,000	8,350	412	3	5		93	6	6	1,000	0	0	631	8	3	2,186	18	2	137	6	1	1,068	9	5			10	17	4	187	8	3	1,404	1	1	33	10	43						
St. Peter's	13 Jan., 1871	13 June, 1877	1	0	119,888	8,915	414	9	0		9	8	6		626	10	3	1,050	7	9	180	9	3	680	5	11			28	17	6			889	12	8	7		7									
Tenterfield	22 Nov., 1871	30 April, 1877	1	0	92,290	8,070	437	7	1		48	16	0	1,000	0	0	650	6	2	2,136	9	3	117	2	9	286	5	2			71	13	6	657	3	4	1,132	4	9	24		24						
Ulladulla	14 April, 1874	16 May, 1877	1	0	229,291	11,659	422	17	2		2	0	0		963	16	0	1,383	13	2	116	9	2	519	12	1			3	6	2			639	7	5	26	140	175									
Ulmarra	16 Nov., 1871	22 May, 1877	1	0	170,060	8,503	152	4	9						641	11	8	793	16	5	123	9	3	542	14	3							671	3	6	100		100										
Waratah	23 Feb., 1871	3 April, 1877	1	0	130,000	11,240	450	0	4						789	2	0	1,239	2	4	91	1	6	503	6	1			147	14	3	742	1	10	9	4	13											
Wickham	25 Feb., 1871	6 April, 1877	1	0	200,000	10,000	750	1	2		38	8	4		933	14	8	1,722	4	2	138	15	3	336	16	0			132	17	3	127	2	1	785	10	7	23	6	83								
Yass	12 Mar., 1873	22 June, 1877	1	0	100,000	10,000	200	12	6½						809	15	11	1,010	8	5½	230	2	8	683	15	9							918	18	5	6	27	33										
General Total					4,075,092	315,950	13,178	16	2		4,604	14	7	5,756	7	11	21,968	11	10	45,498	10	6	4,796	12	6	21,883	11	2			1,786	5	6	5,725	15	6	34,192	4	8			1107						
					18,529,682	1,418,094	62,398	12	2		6,359	19	6½	12,077	8	5	11,258	17	3	86,376	7	9	178,971	5	14	14,054	19	4			82,192	12	3	5,942	19	10	8,737	17	6½	15,890	8	10	127,718	17	9½			2686

* Not stated in return. † Includes wages.

ROADS TRUSTS.

No. 141.—RETURN showing the RECEIPTS and DISBURSEMENTS of the several ROADS TRUSTS in the Year 1877, and also the Number of Miles of Road under the care of the Commissioners.

ROADS TRUSTS.	RECEIPTS.			Balance on 31st Dec., 1876.	Amount.	ROADS TRUSTS.	EXPENDITURE.			Balance on 31st Dec., 1877.	Amount.	Extent of Roads.
	Rent of Tolls, &c.	From the Colonial Treasury for Roads and Bridges.	Total Receipts.				Salaries.	Miscellaneous.	Total Expenditure.			
	£ s. d.	£ s. d.	£ s. d.	£ s. d.	£ s. d.		£ s. d.	£ s. d.	£ s. d.	£ s. d.	£ s. d.	Miles.
South Head Roads Trust ...	3,196 19 10	375 0 0	3,571 19 10	887 16 8	4,459 16 6	South Head Roads Trust ...	100 0 0	3,669 6 9	3,769 6 9	690 9 9	4,459 16 6	13
Parramatta Roads Trust...	403 8 0	200 0 0	603 8 0	788 9 8	1,391 17 8	Parramatta Roads Trust ...	116 5 0	474 16 8	591 1 8	800 16 0	1,391 17 8	17
Campbelltown Roads Trust	310 0 0	310 0 0	310 0 0	Campbelltown Roads Trust	310 0 0	310 0 0	310 0 0	26
Windsor Roads Trust ...	254 10 0	117 10 0	372 0 0	116 8 7	488 8 7	Windsor Roads Trust ...	26 0 0	300 5 8	326 5 8	162 2 11	488 8 7	18½
Richmond Roads Trust ...	106 0 0	330 10 0	436 10 0	8 4 8	444 14 8	Richmond Roads Trust...	31 0 0	393 9 4	424 9 4	20 5 4	444 14 8	25½
Maitland Roads Trust ...	150 5 6	778 0 0	928 5 6	274 6 9	1,202 12 3	Maitland Roads Trust ...	150 5 6	1,030 18 8	1,181 4 2	21 8 1	1,202 12 3	50
Total ...	£ 4,111 3 4	2,111 0 0	6,222 3 4	2,075 6 4	8,297 9 8	Total ...	£ 423 10 6	6,178 17 1	6,602 7 7	1,695 2 1	8,297 9 8	150

PUBLIC WORKS.

No. 142.—GENERAL RETURN of all RAILWAYS, ELECTRIC TELEGRAPHS, ROADS, BRIDGES, BUILDINGS, &c., &c., carried on during the Year 1877.

Work, and where situated.	Whether Constructing or under Repair.	Estimated Expense.	Fund from which the Expense is defrayed.	When Commenced.	Whether Finished or Unfinished.	If Finished, actual amount of Expenditure.	If Unfinished, amount of Expenditure to 31st December, 1877.	Amount expended in 1877.	Amount expended for Furniture in 1877.	Remarks.
RAILWAYS.			£			£ s. d.	£ s. d.	£ s. d.		
LINES OPEN FOR TRAFFIC.										
Trunk Line—										
Darling Harbour Branch...	Under repair and construction.			1850	Finished...	104,108 6 7		12,884 2 8		
Tramway ...	"			1859	"	4,878 7 1				
Sydney to Parramatta ...	"			1850	"	768,462 7 3		13,440 10 6		
Great Southern Line—										
Parramatta to Liverpool ...	"			1855	"	127,516 7 7		168 11 8		
Liverpool to Campbelltown ...	"			1857	"	132,993 1 8		168 19 4		
Campbelltown to Menangle ...	"			1859	"	81,088 16 0		42 1 7		
Menangle to Picton ...	"			"	"	332,419 13 7		2,832 15 5		
Picton to Goulburn ...	"			1862	"	1,030,972 14 3		2,437 18 2		
Goulburn to Yass ...	"			1873	"	439,742 4 5		14,654 13 8		
Yass to Cootamundra ...	"			"	"	474,724 13 9		169,786 16 5		
Great Western Line—										
Parramatta to Penrith ...	"			1858	"	316,455 7 8		3,714 6 9		
Penrith to Bathurst ...	"			1862	"	1,886,244 12 4		7,497 8 1		
Bathurst to Orange ...	"			1873	"	340,993 18 9		70,410 18 4		
Windsor and Richmond ...	"			1862	"	92,254 19 7		6,985 16 10		
Great Northern Line—										
Newcastle to West Maitland ...	"			1853	"	476,017 10 1		9,289 18 8		
West Maitland to Singleton ...	"			1858	"	338,676 1 4		1,293 7 7		
Singleton to Murrurundi ...	"			1867	"	725,213 9 9		424 0 4		
Morpeth Branch ...	"			1862	"	55,797 10 0		559 17 4		
Rolling Stock—										
South and West ...	"			1850	"	727,401 8 11		93,771 1 8		
Windsor and Richmond ...	"			1862	"	5,226 1 1				
Northern ...	"			1853	"	246,372 19 7		59,903 16 5		
Tramway ...	"			1859	"	1,712 12 3				
Machinery—										
South and West ...	"			1850	"	22,220 6 0		1,154 16 0		
North ...	"			1853	"	7,683 8 4		133 10 8		
EXTENSIONS NOT OPEN FOR TRAFFIC.										
Cootamundra to Wagga Wagga ...	Constructing...			1873	Unfinished		176,939 10 1	117,685 6 10		
Wagga Wagga to Albury ...	"			1877	"		6,570 6 1	6,570 6 1		
Junce to Narrandera ...	"			"	"		2,974 15 2	2,923 16 4		
Orange to Wellington ...	Constructing			1877	"		34,604 16 4	33,659 12 4		
Wellington to Dubbo ...	"			"	"		1,537 16 0	1,537 16 0		
Murrurundi towards Tamworth ...	Constructing...			1873	"		289,638 13 0	105,052 19 4		
Werris Creek to Gunnedah ...	"			1877	"		5,361 0 3	4,875 19 1		
Trial Surveys on Lines not sanctioned ...	"			"	"		57,696 5 1	578 15 0		
						£ 8,739,176 17 10	575,323 2 0	744,439 19 1		

Consolidated Revenue ... 213,856 1 6
 Loans ... 8,525,320 16 4
 £8,739,176 17 10

Consolidated Revenue ... 11,976 13 0
 Loans ... 563,346 9 0
 £12,539,476 23 0

ELECTRIC TELEGRAPHS.												
Glen Innes to Grafton	Constructing	7,200	Loans	1876	Finished	5,671 5 9		3,941 8 3				
Dungog to Seal Rocks	"	3,000		"	"	Unfinished	2,725 15 1		1,137 8 1			
Bourke to Wentworth	"	39,000	Con. Revenue	"	Unfinished		19,739 14 10	19,155 2 10				
West Kempsey to Grafton	"	7,500		"	"	Finished	4,585 12 7		1,924 13 7			
Glen Innes to Vegetable Creek	"	2,100	Loans	"	"	1,263 13 8		51 6 5				
Uralla to Walcha	"	1,500		"	"	"	991 5 6		769 19 6			
Bourke to Rutherford's	"	4,800	Loans	"	Unfinished		919 16 0	883 16 6				
Additional wire, Moama to Deniliquin	"	2,000		"	1877	Finished	542 1 7		542 1 7			
Brewarrina to Gadooga	"	6,000	Consolidated Revenue	"	"	5,113 10 6		5,113 10 6				
Young to Morangarell	"	2,700		"	"	Unfinished		1,413 8 9	1,413 8 9			
Hay to Booligal	"	4,200	Consolidated Revenue	"	"		608 18 0	608 18 0				
Yass to Queanbeyan	"	3,000		"	"	Finished	1,929 16 7		1,929 16 7			
Bathurst to Orange	"	2,000	Consolidated Revenue	"	"	390 5 1		390 5 1				
Bathurst to Cowra	"	2,000		"	"	"	382 19 9		382 19 9			
Downing to Wagga Wagga	"	6,000	Consolidated Revenue	"	Unfinished		2,472 5 2	2,472 5 2				
Murrurundi to Tamworth	"	8,000		"	"	"		1,350 12 11	1,350 12 11			
Parramatta to Wollombi	"	1,500	Consolidated Revenue	"	"		362 5 6	362 5 6				
Campbelltown to Camden	"	400		"	"	Finished	253 9 10		253 9 10			
Sydney to Newcastle	"	1,000	Consolidated Revenue	"	Unfinished		56 10 0	56 10 0				
Sydney to Bathurst	"	2,800		"	"	"		56 10 0	56 10 0			
Wagga Wagga to Deniliquin	"	3,460	Consolidated Revenue	"	"		115 9 3	115 9 3				
				"	"	"						
						£ 23,849 15 11		27,095 10 5		42,911 18 1		
ROADS AND BRIDGES.												
Main Northern Road	Repair and partial construction.		Consolidated Revenue	1857	Unfinished		347,174 2 2	12,667 3 5				
" Southern Road	"			"	"	"		486,215 19 2	18,504 8 3			
" Western Road	"		Consolidated Revenue	1866	"		389,005 17 7	22,363 9 2				
Grafton to Glen Innes	"			"	1866	"		81,278 14 4	6,269 0 7			
Grafton Point and Approaches	"		Consolidated Revenue	1868	"		41,922 8 7	9,708 11 9				
Armidale to Maryland	"			"	1864	"		9,432 11 10	679 10 9			
Grafton to Casino	"		Consolidated Revenue	1873	"		6,489 9 9	2,123 10 3				
Casino to Ballina	"			"	1874	"		4,445 14 9	806 14 0			
Grafton to Solferino	"		Consolidated Revenue	1875	"		3,271 15 4	1,088 8 2				
Lismore to Queensland Border	"			"	1876	"		579 0 0	539 0 0			
Casino to Mount Lindsay	"		Consolidated Revenue	1875	"		786 19 4	596 14 4				
Wardell, <i>via</i> Tuckombil, to Lismore and Ballina Road	"			"	1877	"		0 14 0	0 14 0			
Woodburn to Casino, <i>via</i> Coraki and Codrington	"		Consolidated Revenue	1864	"		47,820 9 3	5,200 19 4				
Lawrence to Tenterfield	"			"	1876	"		150 0 0	150 0 0			
Tenterfield to Six-mile	"		Consolidated Revenue	1875	"		1,161 11 0	661 11 0				
Newton Boyd Road to Vegetable Creek	"			"	1876	"		400 0 0	152 7 0			
Vegetable Creek, <i>via</i> Tent Hill, to Deepwater	"		Consolidated Revenue	1869	"		12,569 6 2	2,133 3 4				
Glen Innes to Inverell	"			"	1875	"		966 4 0	266 5 0			
Glen Innes to Wellingrove	"		Consolidated Revenue	1877	"		150 0 0	150 0 0				
East-street, Glen Innes	"			"	"	"		626 3 11	626 3 11			
Inverell to Warialda	"		Consolidated Revenue	1875	"		459 6 1	172 6 0				
Middleton to Crutchley's Crossing	"			"	1877	"		189 15 0	189 15 0			
Inverell to M'Intyre	"		Consolidated Revenue	1874	"		12,653 16 0	8,014 11 9				
Manilla, <i>via</i> Barraba, to Warialda	"			"	1876	"		2,694 17 6	1,927 9 3			
Cobbedah to Rocky Creek	"		Consolidated Revenue	"	"		408 10 6	357 18 6				
Morree, <i>via</i> Warialda, to Yetman	"			"	"	"		714 6 9	355 2 3			
Narrabri and Walgett Road to Morree	"		Consolidated Revenue	1874	"		8,000 1 3	2,872 4 5				
Main North Road, Rocky Gully, to Inverell	"			"	1875	"		459 12 0	247 0 0			
Nimbooy to top of OBX Hill	"		Consolidated Revenue	1864	"		31,136 10 8	6,093 5 4				
Armidale to Grafton	"			"	"	"						

Annual Vote.

No. 142 (continued)—RETURN of PUBLIC WORKS—continued.

Work, and where situated.	Whether Constructing or under Repair.	Estimated Expense.	Fund from which the Expense is defrayed.	When Com-menced.	Whether Finished or Unfinished.	If Finished, actual amount of Expenditure.	If Unfinished, amount of Expenditure to 31st December, 1877.	Amount expended in 1877.	Amount expended for Furniture in 1877.	Remarks.
						£ s. d.	£ s. d.	£ s. d.		
ROADS AND BRIDGES—continued.										
Armidale to Walcha	Repair and partial construction.	Consolidated Revenue	1872 ...	Unfinished	1,370 2 10	312 1 4	
Bendemeer to Walcha	"		1877 ...	"	230 0 0	230 0 0	
Kempsey to Armidale	"		1872 ...	"	26,565 9 10	3,506 2 5	
Main North Road, Uralla to Walcha	"		1877 ...	"	123 10 0	123 10 0	
Kempsey to Bellinger	"		1869 ...	"	4,547 2 2	1,042 18 9	
Grafton and Armidale Road to Bellinger River	"		1877 ...	"	12 7 2	12 7 2	
Walcha to Port Macquarie	"		1872 ...	"	6,710 13 2	631 17 0	
Port Macquarie to Kempsey	"		1864 ...	"	8,581 18 4	739 5 2	
Port Macquarie to Tacking Point	"		1872 ...	"	293 0 6	42 0 6	
Kempsey to Frederickton	"		1876 ...	"	450 0 0	275 10 0	
Euroka to Kempsey	"		"	"	390 0 0	96 15 6	
Frederickton to Macleay Heads	"		1877 ...	"	220 0 0	220 0 0	
East Kempsey to Boggy Creek	"		"	"	336 19 2	336 19 2	
Wilson's River to Port Macquarie and Walcha Road...	"		"	"	86 5 9	86 5 9	
Culvert, Boggy Creek	"		1876 ...	"	117 0 0	117 0 0	
Green Hills to Yarrowell Falls	"		1877 ...	"	50 0 0	50 0 0	
Oakes Plains to Macleay Heads... ..	"		"	"	119 5 0	119 5 0	
Cundle to Port Macquarie	"		1872 ...	"	3,419 3 9	679 7 0	
Tinonee and Cundle Road to South Channel, Manning River.	"		1876 ...	"	60 0 0	30 0 0	
Tinonee to Cundle	"		"	"	314 0 6	178 16 6	
" and Gloucester Road to Clarkin's Crossing ...	"		"	"	202 0 0	157 0 0	
" to Bohnock	"		"	"	128 0 0	87 8 0	
" to Wingham Ferry	"		"	"	117 16 0	28 5 0	
" and Cundle Road to Wingham	"		"	"	306 18 0	106 19 0	
Wingham to Wherrol Flat	"		"	"	107 5 0	38 17 0	
" Bobin Flat... ..	"		"	"	100 6 6	24 5 6	
Cundle, <i>via</i> Lansdowne, to Pipeclay Creek	"		"	"	330 3 9	170 3 9	
Burril Creek to Wingham	"		"	"	128 2 0	58 2 0	
Road through Oxley Island	"		1877 ...	"	70 0 0	70 0 0	
Stroud, <i>via</i> Gloucester, to Tinonee	"		1875 ...	"	3,015 10 3	2,163 13 7	
Tinonee Ferry Approach	"		1877 ...	"	50 0 0	50 0 0	
Bulladelah to Stroud and Raymond Terrace	"		1876 ...	"	120 8 3	20 8 3	
Dungog and Monkernai Road to Stroud... ..	"		"	"	160 1 10	150 7 10	
Dungog, <i>via</i> Monkernai and Stroud, to Gloucester at Langunthy's.	"		"	"	260 0 0	162 0 0	
Dungog to Chichester River	"		"	"	218 17 9	217 17 9	
Clarence Town, <i>via</i> Glen William, to Dungog... ..	"		"	"	163 19 5	150 19 5	
Clarence Town to Dungog	"	"	"	860 17 6	750 7 6		
Paterson and Gresford Road to Clarence Town and Dungog	"	"	"	530 11 1	527 11 1		
Dunmore Bridge to Seaham and Clarence Town	"	"	"	494 17 0	409 14 6		
Upper Myall to Bulladelah	"	1877 ...	"	105 10 0	105 10 0		
Wollombi to Bulladelah... ..	"	1876 ...	"	174 1 4	170 18 4		
Bandon Grove to Little River	"	1877 ...	"	194 0 0	194 0 0		
Dungog and Gloucester Road to Fosterton	"	"	"	104 18 9	104 18 9		
Dungog and Chichester River Road to Underbank	"	"	"	116 0 0	116 0 0		
Clarence Town to Half-way House	"	"	"	114 19 0	114 19 0		

			1877	Unfinished		60 9 1	60 9 1
Raymond Terrace towards Maitland, &c.	Repair and partial construction.						
East Maitland, <i>via</i> Oakvale, to Broken-back Gap	"					57 17 5	57 17 5
Turee to Green Hills, Fitzgerald's Lane	"					464 4 0	464 4 0
Union Inn, Rutherford, to Ford at Melville	"					55 11 0	55 11 0
Waratah to Maitland	"		1874			336 2 3	128 19 3
Newcastle to Wallsend	"		1873			603 3 1	
Muswellbrook to Denman	"		1876			26 10 0	26 10 0
Giants Leap to Kerrabee	"					390 7 6	264 0 7
Main North Road, Aberdeen, to Nundle	"					834 9 10	571 8 10
Silver Mines to Box-tree, near Murrurundi	"					500 0 0	388 0 0
Scone to Merriwa	"		1877			22 5 0	22 5 0
Main North Road, Nundle, to Hanging Rock	"		1875			701 4 8	202 17 6
Nundle to Peel River Gold Fields	"		1864			1,463 4 4	
Currabubula to Tamworth	"					4,386 19 5	446 4 4
Tamworth to Bowling Alley Point	"		1874			2,060 17 2	650 0 5
Tamworth to Gunnedah	"					7,900 5 9	4,251 12 0
Conadilly-street, Gunnedah	"		1876	Finished	700 0 0		320 0 0
Box-tree and Blandford to Green Creek	"		1877	Unfinished		133 19 6	133 19 6
Roads at Narrabri	"		1876	"		900 0 0	634 17 0
Tamworth to Manilla	"		1864	"		6,794 0 5	1,541 2 8
Willow-tree to Narrabri	"		1868	"		17,202 19 8	4,239 18 4
Singleton to Coonabarabran	"		1872	"		25,262 5 1	8,640 18 11
Narrabri to Walgett	"		1868	"		12,506 5 6	2,175 11 9
Main-street, Moree	"		1877	"		350 0 0	350 0 0
Roads at Bingera	"		1876	"		750 0 0	291 13 4
Talbragar Crossing	"		1877	"		129 15 0	129 15 0
Manly to Middle Harbour	"		1872	"		674 16 6	129 0 6
Wiseman's Ferry to St. Alban's	"					779 13 3	
Pitt Town to Wiseman's Ferry	"		1874	"		136 10 0	
Campbelltown to Camden	"		1871	"		2,933 1 0	455 18 6
Throsby Park to Broughton Creek	"		1873	"		7,846 6 3	3,854 7 0
Broughton Creek to Kangaroo Ground	"		1876	"		94 15 0	20 6 0
Old South Road at Throsby Park to Kiama	"		1873	"		7,359 8 8	2,058 13 5
Picton, <i>via</i> The Oaks, to Vanderville	"		1874	"		890 5 11	531 18 11
Bowral to Robertson Park	"					882 4 3	347 18 3
Village of Robertson to top of Alcorn's Hill	"					287 5 8	
Moss Vale to Cross Roads	"		1875	"		238 7 2	
Alcorn's Hill to Robertson Park	"					348 11 10	18 18 9
Mittagong and Illawarra Road, <i>via</i> Macquarie Pass, to Illawarra	"					375 0 0	75 0 0
Fitzroy Iron Mines to Bowral	"		1871	"		1,031 16 0	171 16 0
Vanderville to foot of Burragorang Mountain	"		1874	"		313 1 0	
Burragorang Mountain Road, near Martin's 850 acres	"					411 15 0	
Kangaroo Ground to Collyer's	"		1876	"		112 0 0	62 0 0
Berrima to Sutton Forest	"					150 0 0	116 10 8
Little Forest to Kangaloon and Bowral Road	"					135 0 0	115 3 11
Kangaloon and Bowral Road to West Boundary, Central Illawarra Municipality	"		1877	"		132 8 6	132 8 6
Kangaroo Valley to Bomaderry	"					80 0 0	80 0 0
Old South Road, Cross Roads, <i>via</i> Moss Vale, to Little Forest	"		1876	"		635 12 10	397 11 8
Kiama Road at Blenkinsops to Barrengarry Road	"		1877	"		70 5 0	70 5 0
Alcorn's Store to Macquarie Pass	"					25 0 0	25 0 0
Goulburn to Cooma	"		1874	"		55,228 9 0	7,330 4 4
Goulburn to Bathurst	"		1872	"		13,653 11 6	3,385 10 3

Consolidated Revenue

No. 142 (continued)—RETURN of PUBLIC WORKS—continued.

Work, and where situated.	Whether Constructing or under Repair.	Estimated Expense.	Fund from which the Expense is defrayed.	When Commenced.	Whether Finished or Unfinished.	If Finished, actual amount of Expenditure.	If Unfinished, amount of Expenditure to 31 December, 1877.	Amount expended in 1877.	Amount expended for Furniture in 1877.	Remarks.
ROADS AND BRIDGES—continued.										
Currawang towards Goulburn	Repair and partial construction.	£	Consolidated Revenue	1874	Unfinished	£ s. d.	£ s. d.	£ s. d.		
Goulburn to Wheeo	"			"	"	"	3,398 16 6	496 13 3		
Gullen to Laggan	"			"	"	"	7,959 0 11	2,167 12 4		
Goulburn to Richlands	"			"	"	"	740 11 3	281 7 9		
Collector to Goulburn	"			"	"	"	900 0 0			
Goulburn to Bungonia	"			"	"	"	994 13 3	268 13 11		
Laggan to Binda	"			"	1875	"	1,234 8 2	384 8 2		
Goulburn, <i>via</i> Crookwell, to Binda	"			"	1876	"	260 15 6	80 12 9		
Goulburn to Windellima	"			"	"	"	4,381 8 8	2,581 9 3		
Marulan, <i>via</i> Jacqua, to Windellima	"			"	"	"	639 16 6	310 0 0		
Collector to Lake George	"			"	"	"	673 11 6	328 3 0		
To connect metalled road with Goulburn Railway Station	"	2,500		"	1877	"	112 0 0	112 0 0		
Wheeo towards Crookwell	"			"	"	"	400 0 0	400 0 0		
Railway Deviation Main South Road	"			"	"	"	150 0 0	150 0 0		
Pomeroy Deviation	"			"	"	"	56 5 11	56 5 11		
Goulburn to Taralga	"			"	1876	"	185 15 2	185 15 2		
Sharpening Stone Creek to Burrowa	"			"	1872	"	2,320 13 5	1,570 13 5		
Young, <i>via</i> Grenfell, to Forbes	"			"	1872	"	2,597 15 4	417 10 9		
Binalong to Burrowa	"			"	1873	"	3,395 14 9	2,047 10 11		
Queanbeyan to Gunning	"			"	1877	"	319 4 4	319 4 4		
Yass to Woolgarlo	"			"	1874	"	3,526 3 11	1,483 0 7		
Main South Road, Yass to Gundaroo	"			"	1875	"	316 7 4	92 14 3		
Yass to New Railway Station	"			"	"	"	675 12 2	261 5 1		
Burrowa to Young	"			"	"	Finished	2,000 0 0		645 3 0	
Gunning to Burrowa	"			"	1864	Unfinished		2,034 9 5	803 11 3	
Bowning to Young	"			"	"	"		4,034 16 1	944 13 10	
Doughboy Hill to Yass	"			"	"	"		13,651 2 3	2,173 3 7	
Wallambeen to Murrumburrah	"			"	1874	"		3,576 12 9	1,310 13 2	
Tarago to Braidwood	"			"	1872	"		988 15 5	360 3 5	
Elrington to Araluen	"			"	1866	"		13,619 19 8	2,279 17 11	
Monga to Major's Creek	"			"	1870	"		845 11 8	180 0 0	
Braidwood to Elrington	"			"	1871	"		2,729 13 10	270 0 0	
Braidwood to Reidsdale	"			"	1872	"		1,150 0 0	100 0 0	
Braidwood to Araluen	"			"	"	"		550 0 0	168 0 0	
Elrington to Ballalaba	"			"	1864	"		7,844 16 5	503 0 7	
Clyde Road	"			"	1875	"		140 0 0		
Braidwood to Molonglo	"			"	1863	"		15,904 16 4	1,092 18 0	
Cooma to Braidwood	"			"	1874	"		756 0 0	189 0 0	
Bungendore, <i>via</i> Molonglo, to Queanbeyan and Bungendore Roads	"			"	1875	"		708 0 0	508 0 0	
Nelligen to Bateman's Bay	"			"	1874	"		840 0 0	450 0 0	
Braidwood, <i>via</i> Police Paddocks, towards Shoalhaven	"			"	"	"		380 0 0	90 0 0	
Bomaderry Ferry to Ulladulla	"			"	1876	"		203 0 0	140 0 0	
Bomaderry Ferry to Jerrawangla	"			"	"	"		911 9 0	911 9 0	
Milton to Bateman's Bay	"			"	"	"		252 0 0	252 0 0	
Araluen to Moruya	"			"	1874	"		3,565 8 3	1,124 15 2	
Panbula to Wolumla	"			"	1865	"		12,029 8 0	1,124 0 0	
				"	1867	"		1,662 1 6	195 3 4	

	Repair and partial construction.	Unfinished		
Bega to Nelson	1877	97 4 0	97 4 0	
Bega to Bodalla	1872	4,606 0 9	1,529 18 3	
Downing's Inn to Riley's Crossing	"	745 11 10	175 9 10	
Wolumla Junction to Cross Roads	"	2,231 0 6	153 13 6	
Bombala to Delegate	1871	2,178 3 5	153 6 6	
Bombala to Merimbula	1864	33,623 7 5	4,652 19 9	
Cooma to Bombala	"	8,280 10 9	1,947 12 4	
Brianderry to Bega	1874	207 0 0	93 18 0	
Bega to Wolumla	"	3,115 6 0	606 6 0	
Cathcart to Panbula	1875	9,903 11 0	1,076 18 7	
Cathcart to Bobundarra	"	524 0 4	338 15 0	
Merrimbula to Jellat Jellat	1874	611 13 8	83 10 0	
Bega to Tathra	1873	1,812 17 6	1,210 17 6	
Cathcart to Native Dog	1874	300 0 0		
Holt's Flat to Railway Bridge	1876	461 6 0	37 1 0	
Tilba Tilba to Cobargo and Bermagui	"	100 0 0	27 12 0	
Bombala to Bokalong	1877	60 0 0	60 0 0	
Candelo to Bega and Bembooka	"	93 15 0	93 15 0	
Candelo to Kameruka	"	50 0 0	50 0 0	
Kameruka to Brown's Mountain	"	622 9 0	622 9 0	
Ponkally Creek to Dignam's Creek	"	11 18 6	11 18 6	
Tumut to Brungle	1870	949 12 1	338 17 6	
Tumut to Adelong	1868	3,454 11 5	770 0 10	
Adelong to Middle Adelong	1872	1,751 2 2	434 12 2	
Main South Road to Adelong	1864	5,217 2 3	668 13 9	
Gundagai to Tumut	"	8,051 1 2	1,065 12 9	
Adelong to Griffiths	"	274 2 6	10 2 6	
Coolac to Cootamundra, <i>via</i> M'Leod's	1874	983 7 4	63 13 4	
Middle Adelong to Tumbarumba	1875	2,578 2 0	410 2 0	
Upper Tumbarumba to Tumbarumba	1874	420 0 0	105 0 0	
Tumut to Kiandra	1870	660 11 0	83 0 0	
Tumut streets	1875	460 0 0	160 0 0	
Adelong streets	1877	250 0 0	250 0 0	
Tumut to Lac-ma-lac	"	33 5 0	33 5 0	
Riley's Crossing to Reedy Flat	"	120 0 0	120 0 0	
Gundagai to Brungle Bridge	"	593 2 5	593 2 5	
Gundagai to Tarabandra	1875	139 13 0	54 0 0	
West Gilmore to Snubla...	1877	109 12 4	109 12 4	
Wagga Wagga to Deniliquin	1868	7,399 2 4	93 0 4	
Wagga Wagga to Urana...	1877	502 16 5	502 16 5	
Wagga Wagga to Young	1864	9,754 18 10	848 2 0	
Tarcutta to Wagga Wagga	"	7,353 4 0	617 4 9	
Wagga Wagga to Narrandera	1868	5,889 4 9	2,168 12 0	
Albury to Deniliquin	1864	19,802 15 8	6,462 4 4	
Twelve-mile Creek to Walleragang	1872	3,356 19 11	450 13 2	
Albury to Urana	"	3,756 7 8	459 17 10	
Main South Road at Germanton to Albury and Wagga				
Wagga Road, at Cookendina	1874	1,891 4 1	821 17 8	
Albury and Corowa Road to Urana	"	1,336 18 6	466 8 9	
Gerogery, <i>via</i> Jindera, to Albury and Deniliquin Road, at Bungowannah	1876	564 16 6	264 16 6	
Walla Walla to Gerogery and Bungowannah Road	"	279 12 2	152 7 8	
Main S. Road, Little Billabong to Tumbarumba	"	515 14 8	505 12 6	
Main Road through Albury	1877	559 0 0	559 0 0	
Corowa to Sandy Ridges	"	160 2 6	160 2 6	

Consolidated Revenue

No. 142 (continued)—RETURN of PUBLIC WORKS—continued.

Work, and where situated.	Whether Constructing or under Repair.	Estimated Expense.	Fund from which the Expense is defrayed.	When Com-menced.	Whether Finished or Unfinished.	If Finished, actual amount of Expenditure.	If Unfinished, amount of Expenditure to 31 December, 1877.	Amount expended in 1877.	Amount expended for Furniture in 1877.	Remarks.
ROADS AND BRIDGES—continued.										
Deniliquin to Urana	Repair and partial construction.	Consolidated Revenue	1877	Unfinished	£ s. d.	£ s. d.	£ s. d.	
Deniliquin to Hay	"		1873	"	4,357 12 5	1,158 12 5	
Albury to Wagga Wagga	"		1864	"	23,126 16 2	4,615 13 9	
Gundagai to Wagga Wagga	"		"	"	5,080 3 7	807 17 11	
Deniliquin to Balranald	"		1875	"	2,091 17 10	879 7 8	
Deniliquin to Moama	"		1868	"	6,848 2 6	452 3 0	
Balranald to Hay	"		1877	"	384 13 0	384 13 0	
Moama to Bama	"		"	"	74 18 9	74 18 9	
Balranald to Euston and Wentworth	"		1875	"	2,514 11 0	1,084 19 9	
Moama to Moulamein	"		"	"	598 3 9	440 10 9	
Bell's Line to Colo	"		1871	"	1,283 0 10	486 14 2	
Blacktown to Riverstone Railway Station	"		1873	"	329 3 3	57 0 0	
Richmond Bridge to Mudjee Road	"		1876	"	1,821 6 11	1,006 18 0	
Main Western Road, Brown's Hill to Glanmire	"		1877	"	95 10 0	95 10 0	
Macquarie River near end of George-street, Bathurst, to Kelso and Sofala Road	"		"	"	18 12 2	18 12 2	
Back Creek Railway Station to No. 1 Swamp	"		"	"	64 10 6	64 10 6	
Colo to Currajong at Colo Rock	"		"	"	2 0 0	2 0 0	
Mudjee Road	"		1857	"	125,298 18 3	9,473 8 8	
Hill End, <i>vid</i> Hargraves, to Cudgegong	"		1873	"	4,366 4 7	620 13 8	
Ginkin to Fish River Creek	"		1877	"	85 1 6	85 1 6	
Hartley to Oberon	"		"	"	285 9 4	285 9 4	
O'Connell's Plains to Wiseman's Creek	"		"	"	220 2 10	220 2 10	
Little Hartley to Kerosene Mines	"		"	"	75 1 0	75 1 0	
Mutton's Falls to Fish River Creek Bridge	"		"	"	125 8 4	125 8 4	
Main West Road at Magpie Hollow, &c., to O'Connell's Plains	"		"	"	908 5 6	908 5 6	
Oberon to Swatchfield	"		"	"	318 8 4	318 8 4	
Bathurst, <i>vid</i> Cowra, to Grenfell	"		1870	"	41,702 1 3	5,176 6 10	
Hill End, <i>vid</i> Bragg's, to Main West Road	"		1873	"	3,958 11 0	2,510 10 11	
O'Connell's Plains to Fish River	"		"	"	3,226 6 1	1,207 16 8	
Arthur Town to Tuena	"		1875	"	1,162 6 2	569 14 8	
Rockley to Caloola and Tuena	"		1864	"	1,526 10 6	409 13 8	
Bathurst to Ophir	"		"	"	4,841 1 9	297 3 0	
Bathurst to Trunkey	"		1866	"	10,128 0 10	1,728 10 10	
Bathurst to O'Connell Plains	"		1871	"	2,284 16 9	139 4 10	
Bathurst, <i>vid</i> Dirty Swamp, to O'Connell's	"		1872	"	715 5 0	53 11 6	
Bathurst to Hill End	"		"	"	9,685 10 2	768 16 11	
Bathurst and Caloola Road to Rockley	"		1873	"	3,287 9 8	720 2 7	
Sofala to Lambaroora	"		"	"	2,620 18 11	297 7 6	
Blayney, <i>vid</i> Square, to Shaw	"		1877	"	259 0 10	259 0 10	
Bathurst and Caloola Road, <i>vid</i> Limekilns and Cow Flat, to Rockley	"		1874	"	1,038 8 7	332 7 6	
O'Connell's Plains and Sidmouth Valley to Mutton's Falls and Oberon Road	"		1875	"	741 0 2	303 2 10	
Sally's Flat to Tabrabuccra	"		1872	"	1,432 18 0	239 3 6	
Bathurst to Sofala	"		1871	"	8,820 5 4	1,385 11 0	
Teapot Swamp to Trunkey	"		1876	"	576 16 11	508 4 10	

Kelso to Kelloshiel	Repair and partial construction.	1877	Unfinished			I I O	I I O					
Kelso, <i>via</i> Limekilns, to Peel and Sofala	"	"	"			412 6 7	412 6 7					
Near Monkey Hill to Tambaroora and Hill End	"	1876	"			2,248 5 11	1,862 8 2					
Carcoar to Canowindra	"	1873	"			4,537 3 5	885 2 2					
Cowra to Young	"	1875	"			1,217 11 2	489 11 9					
Carcoar to Teapot Swamp	"	1872	"			777 3 0	260 0 0					
Canowindra to Eugowra	"	1876	"			1,238 9 3	844 9 3					
Orange to Ophir	"	1864	"			1,436 16 11	64 2 11					
Orange to Stony Creek	"	"	"			9,293 2 10	908 17 8					
Molong to Obley	"	1866	"			3,759 14 3	40 0 0					
Orange to Forbes	"	"	"			25,462 13 10	6,529 17 6					
Orange to Carcoar	"	1871	"			3,018 11 1	826 19 1					
Molong to Stony Creek	"	1872	"			715 16 3	107 6 10					
Orange, <i>via</i> Boree, to Bushman's	"	1870	"			12,462 16 6	1,648 19 1					
Orange to Cargo	"	1875	"			3,340 14 5	1,748 12 5					
Lucknow to Orange and Carcoar	"	"	"			550 12 1	390 12 1					
Icely to Spring Grove Railway Station	"	1876	"			1,030 0 6	650 0 6					
Nesbitt's to Spring Hill Railway Station	"	1877	"			127 11 2	127 11 2					
Roads in vicinity of Parkes and Forbes	"	"	"			36 0 0	36 0 0					
Main Road, Guyong to M'Kenna's	"	"	"			625 0 0	625 0 0					
Molong to Moramburn	"	"	"			257 2 11	257 2 11					
Dubbo to Cobbora	"	1874	"			2,515 19 6	101 2 6					
Wellington to Stony Creek	"	1877	"			226 12 0	226 12 0					
Cudgegong to Dubbo	"	1868	"			6,360 9 9	1,174 4 8					
Cudgegong to Cassilis	"	1873	"			2,012 1 4	746 12 4					
Cudgegong to Gulgong	"	1874	"			3,378 17 8	1,031 2 6					
Home Rule to Coolah	"	1875	"			1,835 15 0	36 2 8					
Slasher's Flat to Gulgong	"	1876	"			562 0 0	312 0 0					
Woolar Road	"	1877	"			123 9 0	123 9 0					
Roads in vicinity of Mudgee	"	"	"			292 0 11	292 0 11					
Guntawang, <i>via</i> Cobbora, to Mundooran	"	"	"			749 14 7	749 14 7					
Contingent vote	"	"	"				12,387 15 2					
Port Jackson to Peat's Ferry	"	1875	"			5,448 11 11	1,455 13 1					
Repairs to Bridges	"	1877	"				7,326 9 10					
Repair to Toll-bars	"	"	"				264 3 2					
Roads and Bridges in vicinity of Railways	"	1875	"				4,295 16 10					
Military Roads	"	"	"			7,741 1 8	10 17 0					
Tanks and Wells, Lachlan to Darling	"	1869	"			7,786 15 5	646 0 7					
Approaches, Howlong Punt	"	1873	"			2,063 4 8	52 19 8					
Abattoir to Parramatta Road	"	1874	"			3,192 17 7	389 4 4					
Newtown and Cook's River Road	"	1876	"			5,887 15 7	3,756 9 11					
Tolls, Lismore, Wiseman's Ferry, and Parramatta	"	"	"			399 14 9	60 0 1					
Hinton Punt	"	"	Finished...	350 0 0			89 13 11					
Taree Punt	"	"	Unfinished			317 6 9						
Elizabeth-street, Waterloo	"	"	"			1,005 2 10	1,004 8 4					
Windsor Bridge Tolls	"	"	"			60 5 0	50 15 0					
Richmond	"	"	"			34 8 3	16 1 7					
Flood Repair, Grafton District	"	1877	"			3,194 7 9	3,194 7 9					
Hay Bridge Tolls	"	1876	"			1,350 4 6	1,155 16 6					
Clarke's-lane	"	1877	"			48 0 0	48 0 0					
Horse Boat, Kinchella Creek	"	"	Finished...	100 0 0			100 0 0					
Punt, Lismore	"	"	Unfinished			200 0 0	200 0 0					
Roads, Punts, &c., Lower Clarence	"	"	"			4 1 9	4 1 9					
Steam Launch, Raymond Terrace	"	"	Finished...	468 7 10			468 7 10					
Walleragang to Tumberumba	"	"	Unfinished			12 13 6	12 13 6					

Consolidated Revenue

Annual vote.
Ditto.

No. 142 (continued)—RETURN of PUBLIC WORKS—continued.

Work, and where situated.	Whether Constructing or under Repair.	Estimated Expense.	Fund from which the Expense is defrayed.	When Com-menced.	Whether Finished or Unfinished.	If Finished, actual amount of Expenditure.	If Unfinished, amount of Expenditure to 31 December, 1877.	Amount expended in 1877.	Amount expended for Furniture in 1877.	Remarks.	
		£				£ s. d.	£ s. d.	£ s. d.			
ROADS AND BRIDGES—continued.											
Blue's Point to Main Lane Cove Road...	Repair and partial construction.	Consolidated Revenue	1877	Unfinished	147 4 2	147 4 2		
Junee Water Supply	"		"	"	"	389 12 7	389 12 7	
Enlarging Cootamundra Water Reservoir	"		"	"	"	488 2 4	488 2 4	
Expenses, Punts and Approaches	"		"	"	"	1,680 1 11	1,680 1 11	
Estimated Tolls and Dues, Bridges and Ferries	"		"	"	"	915 7 7	915 7 7	
Bridge, M'Loughlin River	Construction...	600		"	"	"	356 0 0	356 0 0	
" Namoi	"	2,500		"	1876	"	92 6 8	75 13 4	
" Henry River	"	1,800		"	1875	"	1,355 0 8	796 11 10	
" Chandler and Wollumumbi	"	1,500		"	"	"	1,074 14 10	425 15 11	
" Commissioner's Crossing	"	1,251		"	"	"	1,519 13 0	1,028 10 5	
" Karuah River	"	2,478	"	"	"	3,211 7 3	2,549 18 11		
" Bega River	"	3,000	"	"	"	1,254 4 0	1,147 5 0		
" Wybong Creek, on Road, Muswellbrook, &c., to Coolah	"	1,727	Loans & Con. Rev.	"	"	1,230 14 9	1,230 14 9		
" White's Falls	"	1,200		"	"	"	1,668 5 9	552 2 11	
" Casino	"	8,000		"	1872	Finished...	9,022 1 0	530 3 6	
" Tumut, at Brungle, and Approaches	"	750		"	1876	"	930 0 0	180 0 0	
" Bell River, Molong to Ironbarks	"	400		"	"	"	484 17 8	84 17 8	
" Price's Creek, Jamberoo	"	895		"	"	"	1,059 18 6	198 18 6	
" Carcoar	"	1,200		"	"	Unfinished	1,304 16 8	1,300 10 0	
" Billabong (Albury to Wagga Wagga)	"	1,000		"	"	Finished...	872 10 1	793 4 1	
" " (Renewal)	"		"	1877	Unfinished	127 0 0	127 0 0	
" Trunkatabella	"	1,000		"	1876	Finished...	740 4 0	627 1 0	
" Molonglo River	"	2,000	Consolidated Revenue.	"	"	2,000 0 0	1,987 10 0		
" Lett River, Hartley	"	700		"	"	"	700 0 0	684 0 0	
" Cunningham's Creek	"	800		"	"	"	865 17 3	92 9 6	
" on Road, Woodburn and Elbow to Selman's... ..	"	400		"	"	"	300 0 0	100 0 0	
" Fawcett's or Fairy Mount Creek	"	1,100		"	"	"	1,048 4 3	748 4 3	
" Tarlo and Approaches	"	1,400		"	"	"	1,399 19 1	991 12 5	
" Three Rivers	"	1,500		"	"	"	1,340 7 6	710 0 9	
" Wangoola Creek... ..	"	500		"	1877	"	515 10 11	515 10 11	
" Somerton (Tamworth to Gunnedah)	"	700		"	"	"	603 3 6	603 3 6	
" Urara	"	500		"	"	"	435 13 1	435 13 1	
" Pound Creek and Approaches	"	500	Loans	"	"	562 10 0	562 10 0		
" Coolambooka	"	1,140		"	"	"	1,446 0 0	1,446 0 0	
" Gilmandyke	"	300		"	1876	"	300 0 0	1 19 6	
" Neerong Creek	"	300		"	"	"	262 11 4	52 5 0	
" Little River (Wellington to Bogan)	"	800		"	1877	"	797 10 0	797 10 0	
" Luskintyre and Approaches	"	1,000		"	1873	"	1,277 8 2	106 18 0	
" Frog's Hollow	"	400		"	1875	"	500 0 0	5 19 2	
" Hunter, at Elderslie	"	1,120		"	"	"	1,178 6 8	38 0 0	
" Denman's and Bowman's Crossing	"	6,500		"	1876	Unfinished	3,000 8 5	2,954 0 1	
" Abercrombie	"	1,800		Consolidated Revenue.	"	"	1,924 13 5	1,920 10 1	
" Kangaroo River	"	2,976	"		"	"	752 2 0	718 10 0	
" Yanamblie	"	1,500	"		"	"	150 0 0	
" Paterson at Gostywycke	"	4,000	"		"	"	1,938 16 3	1,905 9 7	
" Shoalhaven at Nowra	"	1,200	"		"	"	7 10 8	4 6 8	

Bridge, Balranald	Construction	10,000	} Consol- dated	1876	Unfinished	33 0 1			
" Mungindi and Goondiwindi	"	5,000		"	"	"	56 9 8	4 6 8	
" Mann River and renewal	"	1,800	} Revenue	1873	"	4,854 5 11	2,275 10 2		
" Barwon at Walgett	"	4,000		"	"	"	5,473 2 4	3,759 10 9	
" Parramatta	"	90,000	} Loans & Con. Rev	"	"	741 19 7	191 1 2		
" Road, Lachlan to Darling	"	9,500		"	"	"	5,838 3 11	5,723 11 9	
" Boggy Creek	"	500	} Con. Rev.	1872	"	500 0 0	256 11 4		
" Dinsey's and Condong Creeks	"	300		"	"	"	400 0 0	400 0 0	
" Stony Creek, Maitland to Paterson	"	250	"	1876	"	212 0 0	212 0 0		
" Charcoal Creek	"	550	"	1877	"	81 13 4	81 13 4		
" Warialda	"	1,500	"	"	"	1,340 13 7	1,340 13 7		
" Boorowa River	"	1,120	"	"	"	900 0 0	900 0 0		
" Fish River	"	1,173	"	"	"	1,491 2 8	1,491 2 8		
" Tumut District (destroyed by floods)	"	500	"	"	"	470 11 10	470 11 10		
" Darling, at Bourke	"	30,000	} Loans	"	"	403 6 11	403 6 11		
" Narrabri Creek	"	2,000		"	"	"	990 10 0	990 10 0	
" Wollondilly, at Rossi's	"		} Con. Rev.	"	"	1,450 0 0	1,450 0 0		
" Child's, Sandy Creek	"			"	"	"	227 0 3	227 0 3	
Minor Roads—Issued to Trustees for various works from 1877 Votes—Unclassified Roads.	Repair and partial construction.						7,415 12 0		
Subordinate Roads under Trustees—Amounts issued for Expenditure—									
Northern Roads...	"					88,275 3 3	21,092 3 3		
Southern Roads...	"					69,320 0 0	18,000 0 0		
Western Roads ...	"					54,295 0 0	12,459 0 0		
						32,261 0 10	2,684,856 10 10	444,349 13 6	
HARBOURS AND RIVERS BRANCH.									
DREDGE SERVICE.									
Excavation of Silt by Dredges	Progressing		} Con. Rev.	1876	Unfinished	48,405 18 1	^a 1,466 15 10		
" " " "	"			"	"	"	54,555 5 8	54,555 5 8	
Small Dredge and Punts for Sydney Harbour	Constructing		} Loan & Con. Rev.	1875	"	3,824 0 0	3,800 0 0		
Landing Silt and forming Ground, Sydney Harbour	Progressing			"	"	"	3,998 18 6	3,998 18 6	
" " " "	"		"	1877	Unfinished	8,617 3 9	8,617 3 9		
SYDNEY.									
Works at outlet of Sewer, Fort Macquarie	Constructing		} Con. Rev.	1876	"	719 11 2	9 14 2		
Sea Wall, Botanical Gardens, towards Macquarie Point.	"			"	"	"	1,291 19 9	807 7 2	
Continuation and Formation of Macquarie-street...	"		"	1875	"	7,579 6 8	3,294 11 9		
Public Wharf, Watson's Bay	"		} Con. Rev.	1876	"	562 15 3	557 15 3		
Drain through Reclaimed Land, Blackwattle Swamp	"			"	"	"	8,391 0 2	1,307 6 0	
Sea Wall, Dawes Point	"		"	1877	"	2,236 2 5	2,236 2 5		
NEWCASTLE AND HUNTER RIVER DISTRICT.									
Grassing Sandhills	Progressing		} Con. Rev.	1874	"	413 12 1	184 15 4		
Buoys and Beacons	Constructing			"	"	"	767 7 8	765 2 8	
Newcastle Wharf	Lighting Lamps		"	"	Finished	199 7 9	47 5 0		
" " " "	"		"	"	Unfinished	137 5 0	137 5 0		
Road through Bullock Island	"		"	"	"	2,473 12 4	942 12 1		
Wharf and Shipping Appliances, Newcastle and Bullock Island (exclusive of Steam Cranes on Newcastle Wharf).	Constructing		} Loans and Con. Rev.	1858	"	158,956 7 0	24,500 1 1		
Steamers' Wharf	Re-planking			"	"	"	1,438 16 7	934 19 9	
Southern Breakwater	Constructing		} Con. Rev.	1866	"	41,597 12 5	8,184 7 6		
Public Wharf, Paterson	"			"	"	"	775 17 7	774 13 7	

Annual vote.

^a £157 is. rd. of this amount represents outstanding accounts of previous years.

No. 142 (continued)—RETURN of PUBLIC WORKS—continued.

Work, and where situated.	Whether Constructing or under Repair.	Estimated Expense.	Fund from which the Expense is defrayed.	When Com-menced.	Whether Finished or Unfinished.	If Finished, actual amount of Expenditure.	If Unfinished, * amount of Expenditure to 31 December, 1877.	Amount expended in 1877.	Amount expended for Furniture in 1877.	Remarks.
						£ s. d.	£ s. d.	£ s. d.		
HARBOURS AND RIVERS BRANCH—continued.										
KIAMA.										
Improvements to Harbour			Loans ...	1861 ...	Unfinished	64,584 19 6	214 0 3	
CLARENCE RIVER.										
North Breakwater	Constructing...		Loans ...	1868 ...	"	27,618 19 11	7,872 14 11	
Dredge, Tug, and Punts	"		Loans & Con. Rev.	1872 ...	"	24,076 12 7	10,786 16 4	
Extension, Southern Dyke	"		Con. Rev. ...	1877 ...	"	2,912 1 0	2,912 1 0	
Public Wharf, &c., Brushgrove	"		"	"	"	200 0 0	200 0 0	
MORUYA RIVER.										
Northern Breakwater	"		Loans ...	1873 ...	"	10,163 2 10	3,708 12 7	
MANNING RIVER.										
Wharf at Cundletown	"		Con. Rev. ...	1877 ...	"	529 11 0	529 11 0	
Wharf at Wingham	"		"	"	"	907 5 11	907 5 11	
Wharf at Tinonee	"		"	1876 ...	Finished...	800 0 0	226 4 3	
Murray, Murrumbidgee, and Darling Rivers	Improving Navigation of		Loans & Con. Rev.	1866 ...	Unfinished	119,630 11 2	12,190 12 1	The work this year has been confined to the Darling and Murrumbidgee Rivers.
Edwards River	" "		Loans ...	1872 ...	"	3,606 17 7	1,153 15 2	
TRIAL BAY.										
Harbour of Refuge	Constructing...		Loans & Con. Rev.	1874 ...	"	3,925 4 4	3,460 14 3	
FITZROY DOCK, Cockatoo Island										
Dock and other Works in connection with Docking Establishment	Elongation of, &c. ...		Loans ...	1873 ...	Unfinished	7,391 15 11	1,790 12 2	
Fitzroy Dock Salaries to 1870		Con. Rev.	Finished...	43,430 15 6	
" " 1877		"	1877 ...	"	647 10 0	647 10 0	
Workshops and other Buildings	Unfinished	9,084 8 0	51 15 8	
Docking Vessels and other Contingent Expenses		Con. Rev. ...	1876 ...	"	3,337 18 0	* 201 10 4	*£3 14s. 1d. of this amount was paid on account of 1874.
" " " "		"	1877 ...	"	2,403 16 4	2,403 16 4	
Machinery	Nearly all erected and in use.		"	11,461 17 4	137 15 10	
MISCELLANEOUS.										
Harbour Surveys		Con. Rev. ...	1876 ...	Finished...	592 17 10	74 5 0	
" " " "		"	1877 ...	Unfinished	951 19 8	951 19 8	
Incidental Expenses to Wharfs, Bridges, and other Public Works)	Repairs, &c. ...		"	1876 ...	Finished...	15,257 19 11	1,521 15 10	
" " " ")	"		"	1877 ...	Unfinished	15,023 15 5	15,023 15 5	
New Steam Launch (Treasury)		"	1875 ...	"	2,271 7 8	204 16 0	
Public Buildings, Parramatta	Drainage ...		"	1876 ...	"	5,290 0 0	1,095 2 0	
Entrance to Shellharbour	Improving ...		"	1877 ...	Finished...	800 0 0	800 0 0	
Public Wharf, Port Macquarie	Constructing...		"	"	Unfinished	680 4 0	680 4 0	
Wollongong Basin	Widening & improving		"	"	"	47 9 6	47 9 6	
Total						£	66,632 16 0	692,433 16 6	186,916 18 0

COLONIAL ARCHITECT—PUBLIC BUILDINGS, &c.
SYDNEY.

10-2 L

Building Name	Description	Amount	Category	Year	Status	1877	1876	1875	1874		
Government House	Alterations and repairs		Consolidated Revenue	1877	Finished	532 12 9					
"	Gas-lighting			"	"	"	2 18 10				
Government Stables	Repairs			"	"	"	162 4 4				
Government Domain	Gas-lighting			"	"	"	152 5 0				
" Bourke's Statue	Renovating			"	"	"	23 5 0				
" Upper Lodge	Repairs, &c.			"	"	"	173 15 10				
" Lower Lodge	"			"	"	"	21 13 11				
Botanic Gardens—Buildings	Repairs			"	"	"	277 13 10				
" Director's Residence	"			"	"	"	28 0 10				
" New Lecture-room, &c.	Erecting	4,500		"	"	Unfinished		1,000 0 0			
Hyde Park—Public Lamps, &c.	Gas-lighting		Consolidated Revenue	"	Finished	393 10 0					
" Dwarf Wall Railing, College-street	Erecting	3,200		"	"	Unfinished		1,720 0 0			
" Prince Albert's Statue	Renovating			"	"	Finished	17 10 0				
" Gun Platforms	Repairs			"	"	"	6 16 8				
Colonial Secretary's Office	"			"	"	"	143 11 8				
Colonial Treasury	"			"	"	"	131 1 10				
Auditor General's Office	"			"	"	"	101 11 10				
Office of Minister for Lands	Additions, repairs, &c.			"	"	"	684 3 8				
Surveyor General's Office	Repairs			"	"	"	150 6 10				
Crown Lands Occupation Office	"			"	"	"	6 18 8				
Office of Chief Inspector of Stock	"		Loans	"	"	2 0 9					
New Lands Office	Erecting	52,000		"	1876	Unfinished		22,700 0 0			
Office of Minister for Mines	Repairs			"	1877	Finished	65 4 9				
Office of Minister of Justice	"			"	"	"	45 7 2				
Crown Law Offices	"			"	"	"	65 5 4				
Office of Clerk of Peace	"			"	"	"	2 5 1				
Public Works Office	"			"	"	"	182 17 3				
"	Gas-lighting			"	"	"	2 18 10				
Office of Engineer-in-Chief for Railways	Repairs			Consolidated Revenue	"	"	29 14 2				
Office of Engineer-in-Chief for Harbours and Rivers	"				"	"	"	19 1 6			
Office of Engineer and Commissioner for Roads	"		"		"	"					
Colonial Architect's Office	Additions	1,100	"		"	Unfinished		700 0 0			
"	Repairs, &c.		"		"	Finished	238 3 8				
" Tar Pavement	Constructing		"		"	"	292 1 0				
" Offices, Temple Court, King-street	"		"		"	"					
New Public Works Office	Erecting	60,000	Loans		1874	Unfinished		52,424 4 5			
General Post Office	Alterations, &c.				"	1877	Finished	1,214 12 2			
Telegraph Office, Haymarket	"				"	"	"				
Free Public Library	Repairs, &c.			"	1877	Finished	251 15 5				
Parliamentary Buildings	Repairs and alterations			"	"	"	939 17 5				
"	Gas-lighting			"	"	"	70 0 0				
Mint	Alterations, repairs, and additions.			"	"	"	2,448 1 10				
Benevolent Asylum, Hyde Park	Repairs and alterations			"	"	"	851 4 3				
Registrar General's Office	Repairs, &c.			Consolidated Revenue	"	"	155 5 11				
Coroner's Office	Repairs				"	1877	"	14 10 2			
Vaccine Institution	"		"		"	"					
Government Printing Office	Additions	1,500	"		1876	Finished	2,233 5 6				
"	Further additions	6,200	"		1877	Unfinished		4,200 0 0			
"	Repairs & alterations		"		"	Finished	689 3 7				
Australian Museum	Erecting workshop	350	"		1876	"	366 9 0				
"	Repairs		"		1877	"	191 0 0				
Office of Chief Inspector of Distilleries	"		"		"	"	5 0 6				
Custom-house	"		"		"	"	216 16 3				
Office of Marine Board	"		"	"	"	11 11 6					

*Furniture and fittings.

STATISTICS—1877.

No. 142 (continued)—RETURN of PUBLIC WORKS—continued.

Work, and where situated.	Whether Constructing or under Repair.	Estimated Expense.	Fund from which the Expense is defrayed.	When Com-menced.	Whether Finished or Unfinished.	If Finished, actual amount of Expenditure.	If Unfinished, amount of Expenditure to 31 December, 1877.	Amount expended in 1877.	Amount expended for Furniture in 1877.	Remarks.	
COLONIAL ARCHITECT—PUBLIC BUILDINGS, &c.—continued.			£			£ s. d.	£ s. d.	£ s. d.	£ s. d.		
SYDNEY—continued.											
Circular Quay—Dead-house	Repairs	} Consolidated Revenue	1877	Finished...	5 17 6	5 17 6		
" Closets and Urinals	Cleaning, &c...		"	"	"	90 8 8	90 8 8	
" Tide-waiter's Box	Repairs		"	"	"	1 4 2	1 4 2	
Colonial Store	"		"	"	"	17 17 9	17 17 9	33 4 10	
Observatory	Additions	2,100		"	"	Unfinished	1,500 0 0	1,500 0 0	7 14 0	
"	Erecting Messenger's quarters.	500		"	"	Finished...	488 7 0	488 7 0	
"	Repairs		"	"	"	137 12 4	137 12 4	
Flagstaff Hill Reserve	Wall & iron railing...	3,500		"	"	Unfinished	1,010 0 0	1,010 0 0	
Signal-station, Fort Phillip	Repairs		"	"	Finished...	73 10 6	73 10 6	
Government Wharf, Darling Harbour	Erecting office		"	"	"	18 0 0	18 0 0	
University	Flooring hall		"	"	"	28 12 0	28 12 0	
Lunatic Receiving House, Darlinghurst	Additions, repairs, &c.		"	"	"	380 18 9	380 18 9	8 10 0	
Supreme Court-house	Additions	3,500		"	"	Unfinished	2,300 0 0	2,300 0 0	184 10 1	
"	Repairs & alterations..		"	"	Finished...	216 12 6	216 12 6	
Insolvency Court	Repairs		"	"	"	14 0 11	14 0 11	35 10 0	
Office of Chief Commissioner of Insolvency, Temple Court	"	"	4 7 6		
Sheriff's Office	"	"	75 4 0		
District Court	Repairs	"	1877	Finished...	119 14 1	119 14 1	56 17 6		
Office of District Court Judge, Temple Court	"	"	25 8 6		
Court-house, Darlinghurst	Additions, alterations, and repairs.	"	1877	Finished...	863 17 7	863 17 7	52 7 6		
Central Police Office	Repairs, & alterations	"	"	"	441 12 8	441 12 8	182 8 11		
Water Police Office	Additions & repairs...	"	"	"	599 2 3	599 2 3	79 13 2		
Office of Inspector General of Police	Repairs	"	"	"	0 18 0	0 18 0	24 3 0		
Residence of Inspector General of Police	Laying on gas	"	"	"	78 0 0	78 0 0		
Police Dépôt, Carter's Barracks	Repairs	"	"	"	118 4 0	118 4 0		
Watch-house, George-street South	Additions & repairs	"	"	"	552 19 9	552 19 9		
" Darlinghurst	Additions	1,000	"	"	"	1,059 0 0	1,059 0 0		
"	Repairs	"	"	"	26 5 10	26 5 10		
" Cumberland-street	"	"	"	"	8 1 6	8 1 6		
" Argyle-street	"	"	"	"	13 9 7	13 9 7		
Gaol, Darlinghurst	Additions, repairs, &c.	"	"	"	1,178 7 5	1,178 7 5		
Victoria Barracks	Erecting drill-shed	1,200	"	"	"	1,207 15 0	1,207 15 0	141 19 0		
"	Repairs, &c.	"	"	"	2,079 4 11	2,079 4 11		
"	Lighting lamps, &c.	"	"	"	139 6 0	139 6 0		
Artillery Barracks	Repairs	"	"	"	281 3 5	281 3 5	106 15 0		
Commodore's Residence, Macquarie-street	"	"	"	"	95 3 7	95 3 7	55 0 0		
Naval Dépôt	"	"	"	"	92 14 4	92 14 4		
Military Stores	"	"	"	"	2 7 11	2 7 11		
Guard House, Government Domain	"	"	"	"	7 6 0	7 6 0		
Fort Macquarie	"	"	"	"	197 11 10	197 11 10	4 10 0		
Drill Shed, Naval Brigade	"	"	"	"	54 16 3	54 16 3		
Volunteer Brigade Office	"	"	"	42 16 6		
Volunteer Artillery Office	"	"	"	13 15 0		
Sydney Streets	Lighting camps	"	"	"	413 0 0	413 0 0		
Coffins for Paupers	Coffins and burials	"	"	"	125 4 1	125 4 1		
NEWTOWN.											
Watch-house	Repairs	"	"	"	53 3 11	53 3 11		

WOOLAHRA.			Consolidated Revenue	1877	Finished...	1 6 0		1 6 0	
Police Station...	"			Loans	1876	Unfinished		7,369 11 8	1,500 0 0
GLEBE ISLAND.				1877	Finished...	1,110 13 6		1,110 13 6	
Abattoir	Constructing tank	5,500							
"	Alterations and repairs								
GOAT ISLAND.									
Gunpowder Magazine	Repairs			"	"	38 16 10		38 16 10	10 0 0
PORT JACKSON.									
Training Ship "Vernon"	"			"	"	37 7 2		37 7 2	
Harbour Defences generally	Superintendence, &c...			"	"	269 11 4		269 11 4	
NORTH SHORE.									
Watch-house	Repairs			"	"	13 6 4		13 6 4	
GEORGE'S HEAD.									
Fortifications	Erecting flagstaff			"	"	85 0 0		85 0 0	
Barracks	Additions and repairs			"	"	150 15 4		150 15 4	
Officers' Quarters	Repairs			"	"	7 3 5		7 3 5	
MIDDLE HEAD.									
Fortifications	Flagstaff and repairs..			"	"	95 5 6		95 5 6	
Barracks	Additions, &c.			"	"	129 7 3		129 7 3	
SPRING COVE.									
Quarantine Station—Pavilions	Erecting	3,500		1876	"	3,495 0 0		895 0 0	561 2 9
"	Additions and repairs..			1877	"	974 1 10		974 1 10	
SOUTH HEAD.									
Proposed Female Reformatory	Marking out site			"	"	8 6 6		8 6 6	
Macquarie Light-house	Repairs			"	"	12 2 9		12 2 9	
Hornby Light-house	Additions	840		"	Unfinished		500 0 0	500 0 0	
"	Repairs			"	Finished...	157 8 6		157 8 6	
Signal Station	"			"	"	12 4 7		12 4 7	
Fortifications	Additions			1876	Unfinished		19,151 13 9	14,002 8 4	
Barracks	Repairs			1877	Finished...	30 10 8		30 10 8	
WATSON'S BAY.			Consolidated Revenue						
Barracks	Repairs			"	"				20 5 0
" rented				"	"	55 19 6		55 19 6	
BOTANY.									
Watch-house	Erecting	750		1876	"	1,010 2 0		610 2 0	
La Perouse Monument	Repairs			1877	"	3 12 9		3 12 9	
BALMAIN.									
Watch-house	"			"	"	4 2 2		4 2 2	
CADLAN PARK.									
Lunatic Asylum (Old Building)	Tank, fencing, repairs, &c.			"	"	2,000 8 6		2,000 8 6	
COCKATOO ISLAND.									
Reformatory	Additions and repairs..			"	"	925 0 7		925 0 7	30 0 0
Sheriff's Residence	Repairs			"	"	7 4 8		7 4 8	
SPECTACLE ISLAND.									
Gunpowder Magazine	Additional cottages, wharf, and roadway.	2,300		"	Unfinished		1,555 0 0	1,555 0 0	13 12 9
"	Repairs			"	Finished...	60 0 4		60 0 4	
GLADESVILLE.									
Hospital for Insane	New cottages, &c			1875	Unfinished		2,672 10 0	62 10 0	247 1 6
"	Additions, alterations, &c.			1877	Finished...	2,745 12 4		2,745 12 4	
RYDE.									
Court-house	Repairs			"	"	1 18 6		1 18 6	4 16 0
PETERSHAM.									
Telegraph Station	"			"	"	13 2 0		13 2 0	
BURWOOD.									
Post Office				"	"				7 10 0

No. 142 (continued)—RETURN of PUBLIC WORKS—continued.

Work, and where situated.	Whether constructing or under Repair.	Estimated Expense.	Fund from which the Expense is defrayed.	When Com-menced.	Whether Finished or Unfinished.	If Finished actual amount of Expenditure.	If Unfinished, amount of Expenditure to 31 December, 1877.	Amount expended in 1877.	Amount expended for Furniture in 1877.	Remarks.
COLONIAL ARCHITECT—PUBLIC BUILDINGS, &c.—continued.			£			£ s. d.	£ s. d.	£ s. d.	£ s. d.	
HASLEM'S CREEK.										
Mortuary Station	Repairs			1877	Finished	3 13 0		3 13 0		
PARRAMATTA.										
Benevolent Asylum	"			"	"	303 7 5		303 7 5	23 9 0	
Post Office	"			"	"	6 15 0		6 15 0		
Lunatic Asylum	Additions	15,150		1874	Unfinished		18,770 16 8	2,050 0 0	351 1 0	
"	Alterations			1876	Finished	1,025 0 0		1,25 0 0		
"	Additions, alterations, and repairs			1877	"	2,116 15 11		2,116 15 11		
Erysipelas Hospital	Fencing, &c.			"	"	234 8 0		234 8 0		
Protestant Orphan School	Additions and repairs			"	"	544 3 8		544 3 8	43 10 0	
Roman Catholic Orphan School	Laying on gas			1876	"	146 0 0		46 0 0		
"	Additions, repairs, &c.			1877	"	700 13 7		700 13 7		
Court-house	Repairs			"	"	49 1 0		49 1 0	2 8 0	
Police Station	"			"	"	89 17 0		89 17 0		
Gaol	Additions, repairs, &c.			"	"	1,153 14 6		1,153 14 6	1 13 10	
WINDSOR.										
Court-house	Repairs			"	"	4 4 6		4 4 6	1 0 7	
Gaol	Additions & repairs			"	"	137 13 11		137 13 11		
RICHMOND.										
Post and Telegraph Office	Additions	350		"	"	310 10 0		310 10 0		
Court and Watch-house	Erecting	1,500		"	Unfinished		650 0 0	650 0 0		
ST. ALBAN'S.										
Court-house									22 10 0	
LIVERPOOL.										
Benevolent Asylum	Repairs & alterations	3,025		1876	Finished	3,477 13 7		2,933 11 11	2 18 6	
"	Repairs			1877	"	32 13 3		32 13 3		
Court-house	"	628		1876	"	634 15 6		384 15 6		
CAMPBELLTOWN.										
Court-house	"			1877	"	3 5 0		3 5 0	5 2 0	
Gaol	"			"	"	59 12 0		59 12 0		
BERRIMA.										
Court-house									5 0 0	
Police Station	Erecting	1,200		1877	Unfinished		250 0 0	250 0 0		
Gaol	Repairs, alterations, &c.			"	Finished	556 15 6		556 15 6	6 6 5	
SUTTON FOREST.										
Police Station	Repairs			"	"	4 6 8		4 6 8		
MOOROOWOLEN.										
Watch-house and Police Quarters	Erecting	1,150		"	Unfinished		600 0 0	600 0 0		
MARULAN.										
Post Office	Repairs			"	Finished	8 2 7		8 2 7		
GOULBURN.										
Telegraph Office									1 0 0	
Court-house	Repairs			1877	Finished	2 17 6		2 17 6		
Police Station	"			"	"	25 10 0		25 10 0		
Gaol	Repairs, &c.			"	"	151 4 11		151 4 11	41 19 0	
CROOKWELL.										
Court-house	Repairs			"	"	66 13 4		66 13 4	24 5 0	

Consolidated Revenue.

TARALGA.	Police Station...	Repairs		1877	Finished...	12 0 0		12 0 0	
BURROWA.	Post and Telegraph Office	Fencing		"	"	119 3 0		119 3 0	57 0 4
	Court-house	Repairs		"	"	13 15 0		13 15 0	
GUNNING.	Court-house	"		"	"	1 19 6		1 19 6	
COLLECTOR.	Court-house	"		"	"	11 18 4		11 18 4	25 10 0
BUNGENDORE.	Court-house	Fencing		"	"	130 0 0		130 0 0	2 8 0
BINDA.	Police Station...	Repairs		"	"	3 2 6		3 2 6	
YASS.	Court-house	"		"	"	10 0 0		10 0 0	2 14 0
COOTAMUNDRA.	Police Station...	Erecting	1,250	"	Unfinished		400 0 0	400 0 0	
MURRUMBURRAH.	Post Office	Repairs		"	Finished...	3 7 6		3 7 6	
	Court-house	"		"	"				1 1 0
YOUNG.	Post and Telegraph Office	Erecting	2,900	1877	Unfinished		500 0 0	500 0 0	
	Gaol	"	6,000	1876	"		8,403 1 11	6,600 6 5	
GUNDAGAI.	Court-house	Repairs		1877	Finished...	453 0 0		453 0 0	
WAGGA WAGGA.	Post and Telegraph Office	"		"	"	30 5 0		30 5 0	
	Court-house	"		"	"	4 12 3		4 12 3	27 0 0
	Gaol	Repairs & additions...		"	"	70 12 1		70 12 1	36 6 6
ADFLONG.	Warden's Office								95 5 9
ALBURY.	Custom-house...								52 4 6
	Court-house	Additions	1,250	1877	Unfinished		1,012 0 0	1,012 0 0	33 10 6
	"	Repairs		"	Finished...	19 0 0		19 0 0	
	Police Station...	Compensation for damage to premises.		"	"	150 0 0		150 0 0	
	New Police Station	Erecting	3,887	1874	"	3,947 14 0		562 14 0	24 14 0
TUMBERUMBA.	Court-house	Repairs		1877	"	1 10 0		1 10 0	
TUENA.	Court-house	"		"	"	159 0 0		159 0 0	23 18 0
MOAMA.	Police Station...	Erecting	2,000	"	Unfinished		1,050 0 0	1,050 0 0	
DENILIQUIN.	Telegraph Station	Additions	1,500	"	"		230 0 0	230 0 0	
	Post Office	Repairs		"	Finished...	30 0 0		30 0 0	
	Court-house	"		"	"	12 14 0		12 14 0	16 10 0
	Police Station...	"		"	"	39 10 6		39 10 6	41 3 4
	Gaol	Alterations	2,000	"	"	1,892 5 0		1,892 5 0	
	"	Repairs		"	"	224 0 0		224 0 0	
NARANDERA.	Police Station...	Erecting	1,200	"	Unfinished		100 0 0	100 0 0	
HAY.	Court-house	"	2,600	"	"		2,550 0 0	2,550 0 0	
	Police Office	Repairs		"	Finished...	2 0 0		2 0 0	
	Police Station	Fencing		"	"	207 4 0		207 4 0	

Consolidated Revenue.

No. 142 (continued)—RETURN of PUBLIC WORKS—continued.

Work, and where situated.	Whether Constructing or under Repair.	Estimated Expense.	Fund from which the Expense is defrayed.	When Com-menced.	Whether Finished or Unfinished.	If Finished, actual amount of Expenditure.	If Unfinished, amount of Expenditure to 31 December, 1877.	Amount expended in 1877.	Amount expended for Furniture in 1877.	Remarks.	
COLONIAL ARCHITECT—PUBLIC BUILDINGS, &c.—continued.			£			£ s. d.	£ s. d.	£ s. d.	£ s. d.		
J. FELDERIE.											
Court-house	Repairs	Consoli- dated Revenue.	1877 ...	Finished...	2 13 6	2 13 6		
Police Station... ..	"		"	"	"	20 0 0	20 0 0	
BALRANALD.											
Court-house	"		"	"	"	3 10 0	3 10 0	
Police Station... ..	"		"	"	"	28 10 0	28 10 0	
KYAMBA.											
Telegraph Office	"		"	"	"	169 6 0	169 6 0	
Police Station... ..	Additions		"	"	"	59 13 0	59 13 0	
WALBUNDRIE.											
Police Station and Lock-up	Erecting		"	"	"	145 10 0	145 10 0	
TARCUTTA.											
Police Station... ..	Additions		"	"	"	171 9 0	171 9 0	
EUABALONG.											
Police Station... ..	Repairs		"	"	"	7 0 0	7 0 0	
MAUDE.											
Police Station... ..	"		"	"	"	114 2 0	114 2 0	
TUMUT.											
Court-house	"		"	"	"	11 16 2	11 16 2	134 3 2	
WENTWORTH.											
Gaol	Additions and repairs	"	"	"	322 5 0	322 5 0	5 4 6		
URANA.											
Crown Lands Office	"	"	"	16 5 6		
COROWA.											
Crown Lands Office...	"	"	"	34 10 0		
MULWALA.											
Court-house	"	"	"	44 10 0		
POONCARIA.											
Police Station... ..	Repairs	"	1877 ...	Finished...	6 0 0	6 0 0		
WOLLONGONG.											
Post and Telegraph Office	"	"	"	"	70 0 0	70 0 0	1 13 1		
Court House	"	"	"	"	65 10 0	65 10 0	12 19 6		
Police Station... ..	"	"	"	"	19 12 9	19 12 9		
Gaol	"	"	"	"	3 0 0	3 0 0		
SHELLHARBOUR.											
Court and Watch-house	Erecting	900	"	1876 ...	"	1,315 17 4	465 17 4	62 15 0		
Police Station... ..	Additions	"	1877 ...	"	45 0 0	45 0 0		
KIAMA.											
Court-house	"	"	"	12 19 0		
NOWRA.											
Court-house	Repairs	"	1877 ...	Finished...	22 9 0	22 9 0		
CAPE ST. GEORGE, JERVIS BAY.											
Light-house	Additions, fencing, &c.	"	"	"	858 0 0	858 0 0		
ULLADULLA.											
Court-house	Repairs, &c.	"	1876 ...	"	77 10 10	52 10 10		
MILTON.											
Court and Watch-house	Erecting	800	"	"	"	931 0 0	281 0 0	1 12 0		

BATEMAN'S BAY.											6 12 3
Police Station											
MORUYA.											
Pilot Station	Repairs		1877	Finished...	4 5 1			4 5 1			
Court-house	"		"	"	28 10 0			28 10 0			
BEGA.											
Post and Telegraph Office	Erecting	1,000	1876	"	1,269 10 0			1,149 10 0		16 1 3	
EDEN.											
Light-house	Repairs		1877	"	23 6 4			23 6 4			
Police Station	"		"	"	6 15 0			6 15 4			
Lock-up	"		"	"	2 10 0			2 10 0			
ONE-TREE HILL.											
Post and Telegraph Office	Additions	350	1876	"	150 0 0			100 0 0			
MOUNT VICTORIA.											
Telegraph Station	"		1877	"	55 0 0			55 0 0			
HARTLEY.											
Court-house											1 11 9
WALLERAWANG.											
Court-house	Repairs		1877	Finished...	1 18 3			1 18 3		13 16 10	
Lock-up	Additions		"	"	168 3 0			168 3 0			
RYDAL.											
Court-house											1 11 0
MUDGE.											
Court-house	Alterations	1,100	1877	Unfinished			230 0 0	230 0 0		14 17 6	
"	Repairs		"	Finished...	10 13 8			10 13 8			
Quarters of Sub-inspector of Police	Erecting	1,200	"	Unfinished			600 0 0	600 0 0			
Gaol	Additions and repairs		"	Finished...	165 13 10			165 13 10		7 19 8	
BATHURST.											
New Post Office	Erecting	2,500	1875	"	4,823 0 0			1,418 0 0			
New Telegraph Office	"	2,500	"	"	5,206 12 3			1,795 12 3		*200 0 0	*Unfinished.
Court-house										11 0 0	
Gaol	Repairs		1877	Finished...	31 16 11			31 16 11		3 5 0	
ILFORD.											
Police Station	Tanks, &c.		"	"	23 3 6			23 3 6			
BLANEY.											
Court-house											8 14 0
ORANGE.											
Court-house	Fencing, &c.		1877	Finished...	335 0 0			335 0 0		6 16 4	
Police Station	Repairs		"	"	16 16 3			16 16 3			
Gaol	Additions	1,800	"	"	1,775 18 0			1,775 18 0		4 10 0	
OBBERON.											
Court-house											6 0 0
ROCKLEY.											
Court-house											5 5 0
OBLEY.											
Court-house											6 0 0
HILL END.											
Court-house											1 5 0
SOFALA.											
Lock-up	Additions		1877	Finished...	25 10 0			25 10 0			
HARGRAVES.											
Court-house											8 15 0
WELLINGTON.											
Court-house											1 0 0

Consolidated Revenue.

STATISTICS—1877.

No. 142 (continued)—RETURN of PUBLIC WORKS—continued.

Work, and where situated.	Whether Constructing or under Repair.	Estimated Expense.	Fund from which the Expense is defrayed.	When Com-menced.	Whether Finished or Unfinished.	If Finished, actual amount of Expenditure.	If Unfinished, amount of Expenditure to 31 December, 1877.	Amount expended in 1877.	Amount expended for Furniture in 1877.	Remarks.
COLONIAL ARCHITECT—PUBLIC BUILDINGS, &c.—continued.		£				£ s. d.	£ s. d.	£ s. d.	£ s. d.	
MOLONG.										
Court-house	Repairs		1877	Finished...	1 6 6	1 6 6	
Police Station... ..	Erecting	1,100		"	Unfinished	775 0 0	775 0 0	
COWRA.										
Court-house	Repairs		"	Finished...	50 0 0	50 0 0	9 18 0	
CARCOAR.										
Post and Telegraph Office	Erecting	1,500		"	Unfinished	400 0 0	400 0 0	
Lock-up	Additions		"	Finished...	140 0 0	140 0 0	
WARREN.										
Court-house	Repairs		"	"	11 0 0	11 0 0	1 2 9	
DUBBO.										
Court-house	Additions	900		1876	"	833 0 0	433 0 0	17 11 6	
Gaol	Repairs, &c.		1877	"	80 0 0	80 0 0	
BOURKE.										
Court-house	Repairs		"	"	2 14 0	2 14 0	
New Court-house	Erecting	2,000		1876	"	2,560 0 0	1,660 0 0	
Police Station... ..	Additions		1877	"	80 0 0	80 0 0	
Gaol	Fencing, repairs, &c.		"	"	135 10 0	135 10 0	
BREWARRINA.										
Post and Telegraph Office	Purchase of site		"	"	40 0 0	40 0 0	
GRENFELL.										
Post and Telegraph Office	Additions	350		"	Unfinished	360 0 0	360 0 0	
Lock-up	Erecting	1,200		"	"	600 0 0	600 0 0	
GULGONG.										
Warden's Office							3 11 7	
Court-house	Additions and repairs	Consolidated Revenue.	1877	Finished...	271 4 7	271 4 7	23 13 6	
PARKES.										
Warden's Office							21 3 7	
Court-house	Repairs		1877	Finished...	5 0 0	5 0 0	
FORBES.										
Crown Lands Office	Additions		"	"	100 0 0	100 0 0	11 0 0	
MORANGARELL.										
Court-house							2 10 0	
COONAMBLE.										
Court and Watch House	Erecting	1,500		1876	Finished...	1,827 10 6	957 10 6	73 2 2	
Police Station... ..	Repairs		1877	"	10 0 0	10 0 0	
MOSSGIEL.										
Police Station... ..	Repairs		"	"	5 0 0	5 0 0	
WOLLAR.										
Court-house							31 18 6	
COONABARRABRAN.										
Court and Watch House	Erecting	4,000		1877	Unfinished	460 0 0	460 0 0	
Police Station... ..	Repairs		"	Finished...	5 0 0	5 0 0	3 6 2	
BOOLIGAL.										
Court-house							18 7 0	
Police Station... ..	Repairs		1877	Finished...	7 0 0	7 0 0	
BALRANALD.										
Post and Telegraph Office	"		"	"	43 10 0	43 10 0	

Location	Category	Amount	Year	Status	Revenue	Revenue	Revenue
CANONBAW.	Court and Watch House	1,600	1877	Unfinished	1,000 0 0	1,000 0 0	
	CONDOBOLIN.						51 11 0
SALT PAN CREEK.	Police Station		1876	Finished	336 0 0	171 0 0	
BARRENJUEY.	Light-house		1877	"	1 13 9	1 13 9	
	COORANBONG.						
NEWCASTLE.	Court-house	700	"	Unfinished	650 0 0	650 0 0	18 12 6
	"		"	"	100 0 0	100 0 0	
NEWCASTLE.	Post Office		"	Finished	140 0 2	140 0 2	
	Telegraph Office	1,700	"	"	1,700 0 0	1,700 0 0	
NEWCASTLE.	Asylum for Imbeciles		"	"	165 0 11	165 0 11	
	"		"	"	6,707 8 9	6,707 8 9	47 3 0
NEWCASTLE.	New Custom-house	13,200	1874	"	16,329 4 8	5,060 15 7	*700 12 9
	"		1877	"	500 0 0	500 0 0	
NEWCASTLE.	Harbour Master's Residence		"	"	146 18 5	146 18 5	
	Pilot Station		"	"	184 5 0	184 5 0	
NEWCASTLE.	Leading Light Towers		"	"	1,279 17 6	1,279 17 6	
	Court-house	3,500	1876	"	3,350 0 0	2,350 0 0	8 16 5
NEWCASTLE.	"		1877	"	134 1 0	134 1 0	
	Lock-up		"	"	12 0 0	12 0 0	
NEWCASTLE.	Police Station		"	"	418 10 7	418 10 7	36 0 0
	LAMBTON.		"	Unfinished		925 0 0	
WALLSEND.	Court and Watch House	1,550	"	"		920 0 0	
	"	1,550	"	"			
BRANXTON.	Court-house						8 10 0
	Police Station	115	1877	Unfinished		30 0 0	
CESSNOCK.	Police Station		"	Finished	1 0 0	1 0 0	
	Court-house						24 11 6
RAYMOND TERRACE.	Police Station	1,000	1877	Finished	914 12 0	914 12 0	1 4 9
	Lock-up		"	"	394 18 0	394 18 0	1 5 0
MORPETH.	Police Station		"	"	39 0 0	39 0 0	
	Lock-up		"	"	123 0 0	123 0 0	
STROUD.	Court and Watch House	2,400	1876	Unfinished		1,500 0 0	
	PATERSON.		1877	Finished	27 15 0	27 15 0	
EAST MAITLAND.	Court-house		1877	Finished	8 1 10	8 1 10	13 0 0
	Post Office						41 17 6
EAST MAITLAND.	Court-house						26 9 0
	Police Station		1877	Finished	1,322 14 10	1,322 14 10	6 1 6
WEST MAITLAND.	Gaol		"	"	18 13 0	18 13 0	34 4 6
	Telegraph Office		"	"	79 12 3	79 12 3	4 7 6
WEST MAITLAND.	Police Station		"	"			
	"		"	"			

Consolidated Revenue.

Loans

Consolidated Revenue.

*Furniture and fittings.

No. 142 (continued)—RETURN of PUBLIC WORKS—continued.

Work, and where situated.	Whether Constructing or under Repair.	Estimated Expense.	Fund from which the Expense is defrayed.	When Com-menced.	Whether Finished or Unfinished.	If Finished, actual amount of Expenditure.	If Unfinished, amount of Expenditure to 31 December, 1877.	Amount expended in 1877.	Amount expended for Furniture in 1877.	Remarks.
COLONIAL ARCHITECT—PUBLIC BUILDINGS, &c.—continued.			£			£ s. d.	£ s. d.	£ s. d.	£ s. d.	
GRETA.										
Post and Telegraph Office									39 5 0	
WOLLOMBI.										
Court-house	Repairs			1877	Finished...	6 15 0		6 15 0		
Police Station	Erecting			"	"	353 0 4		353 0 4		
SINGLETON.										
Post and Telegraph Office	Purchase of site			"	"	320 0 0		320 0 0		
"	Erection	3,350		"	Unfinished		600 0 0	600 0 0		
Court-house	Repairs			"	Finished...	1 7 0		1 7 0	5 5 0	
Police Station				"					6 15 0	
Gaol	Fencing			1877	Finished...	89 0 0		89 0 0		
DUNGOG.										
Court-house	Repairs			"	"	637 16 0		637 16 0		
SCONE.										
Court-house				"	"	72 10 0		72 10 0		
QUIRINDI.										
Police Station	Erecting			"	"	152 10 0		152 10 0		
MERRIWA.										
Police Station	Sinking well			"	"	46 13 9		46 13 9		
TAMWORTH.										
Court-house	Additions	500		"	Unfinished		60 0 0	60 0 0	316 2 10	
"	Fittings	150		"	"		140 0 0	140 0 0		
"	Repairs			"	Finished...	10 0 0		10 0 0		
Police Station				"	"	40 17 6		40 17 6	9 14 6	
Gaol	Additions	425	Consolidated Revenue.	1876	"	494 5 0		394 5 0		
GUNNEDAH.										
Court and Watch House	Repairs			1877	"	93 18 0		93 18 0		
Police Station	Erecting	1,000		1875	"	1,581 0 0		81 0 0		
BENDEMEER.										
Court-house				"	"				1 4 0	
Police Station	Repairs			1877	Finished...	10 18 1		10 18 1		
NABBABRI.										
Post and Telegraph Office	Erecting	1,300		"	Unfinished		200 0 0	200 0 0		
Court-house				"	"				1 16 2	
Police Station				"	"				19 18 6	
Gaol	Repairs			1877	Finished...	3 4 6		3 4 6		
BOGGABRI.										
Court-house				"	"	5 0 0		5 0 0	2 1 6	
Police Station	Additions			"	"	118 15 9		118 15 9		
WALGETT.										
Court-house	Erecting	1,800		"	Unfinished		300 0 0	300 0 0		
CASSILIS.										
Police Station	Repairs			"	Finished...	48 0 6		48 0 6		
URALLA.										
Court-house				"	"				9 13 6	
Lock-up	Repairs			1877	Finished...	78 10 0		78 10 0		
NUNDLE.										
Court-house				"	"				1 6 0	

ARMIDALE.			} Consolidated Revenue.	1877	Finished	1 0 0	1 0 0	12 3 4
Court-house	Repairs			"	"	7 0 0	7 0 0	
Police Station	"			"	Unfinished	1,500 0 0	1,500 0 0	
Gaol	Additions	8,000		"	"			
BUNDARRA.				"	Finished	34 0 0	34 0 0	7 7 9
Court-house	Repairs			"	"	135 0 0	135 0 0	
WALCHA.				"	"			13 15 0
Police Station	Re-erecting			"	"			
Court-house	"			"	"			23 19 10
GLEN INNES.				1877	Finished	1,562 8 0	1,562 8 0	
Court-house	Erecting	1,500	"	"	420 0 0	420 0 0		
Police Station	"		"	"	938 16 8	938 19 8	103 0 7	
INVERELL.			"	"			9 18 6	
Post and Telegraph Office	Additions		"	"				
Court-house	"	1,000	"	"			1 12 6	
Police Station	"		"	"				
BARRABA.			"	"				
Court-house	"		"	"				
ASHFORD.			1877	Finished	45 0 0	45 0 0		
Court-house	Additions		"	"	71 9 0	71 9 0		
MOREE.			"	"				
Police Station	Additions & Repairs		"	"				
VEGETABLE CREEK.			1876	"	340 0 0	90 0 0	5 5 0	
Court-house	Alterations		"	"				
YETMAN.			1877	Unfinished		207 5 0	5 13 6	
Court-house	"		"	"				
Police Station	Erecting	428	"	Finished	1 0 0	1 0 0		
TENTERFIELD.			"	"	79 10 0	79 10 0		
Court-house	Repairs		"	"				
Police Station	"		"	Unfinished		850 0 0		
WARRIALDA.			"	Finished	99 0 0	99 0 0		
Court and Watch House	Additions	950	"	"				
Police Station	"		"	"				
GLADSTONE.			1877	Finished	220 0 0	220 0 0	34 8 0	
Court-house	"		"	"				
Police Station	Erecting		"	"				
TINGHA.			"	"			14 15 11	
Court-house	"		"	"				
TAMBAR SPRINGS.			1877	Unfinished		75 0 0		
Police Station	Erecting	265	"	"		150 0 0		
MOGIL MOGIL.			"	"				
Police Station	"	355	"	"				
MILL TOWN.			"	Finished	118 10 0	118 10 0		
Police Station	Additions		"	"				
HOWE'S VALLEY.			"	"	224 0 0	224 0 0		
Police Station	Erecting		"	"				
STONY CREEK.			"	"	71 5 6	71 5 6		
Court-house	Repairs		"	"	2 0 0	2 0 0		
Lock-up	"		"	"				
LIONEVILLE.			"	"	10 10 0	10 10 0		
Police Station	Erecting		"	"				
MANILLA.			"	Unfinished		133 6 8		
Police Station	"	485	"	"				

No. 142 (continued)—RETURN of PUBLIC WORKS—continued.

Work, and where situated.	Whether Constructing or under Repair.	Estimated Expense.	Fund from which the Expense is defrayed.	When Com-menced.	Whether Finished or Unfinished.	If Finished, actual amount of Expenditure.	If Unfinished, amount of Expenditure to 31 December, 1877.	Amount expended in 1877.	Amount expended for Furniture in 1877.	Remarks.
COLONIAL ARCHITECT—PUBLIC BUILDINGS, &c.—continued.			£			£ s. d.	£ s. d.	£ s. d.	£ s. d.	
WOODBURN.										
Police Station...									3 6 10	
QUEANBEYAN.										
Court and Watch House	Additions	1,000		1877	Finished...	972 12 6		972 12 6	41 11 0	
Police Station	Repairs			"	"	5 0 0		5 0 0		
BRAIDWOOD.										
Crown Lands Office									7 0 0	
Warden's Office									4 18 3	
Court-house	Repairs			1876	Finished...	160 3 0		58 13 0		
Police Station				1877	"	9 0 0		9 0 0		
Gaol	"			"	"	5 11 8		5 11 8		
COOMA.										
Post and Telegraph Office	Erecting	2,400		"	Unfinished		495 0 0	495 0 0		
Lunatic Asylum	Alterations and additions.	1,500		"	Finished...	1,460 5 0		1,460 5 0		
Crown Lands Office	Repairs			"	"	1 6 6		1 6 6		
Court-house	Additions	2,500		"	Unfinished		1,325 0 0	1,325 0 0		
"	Repairs			"	Finished...	31 0 0		31 0 0		
MICILAGO.										
Court-house									1 5 4	
SEYMOUR.										
Court-house									42 0 0	
BOMBALA.										
Court-house									22 17 3	
Police Station...	Erecting	1,500		1877	Unfinished		200 0 0	200 0 0		
BUCKLEY'S CROSSING.										
Court-house									56 3 0	
Police Station...									6 12 3	
NELSON'S BAY, PORT STEPHENS.										
Light-house	Repairs			1877	Finished...	33 0 5		33 0 5		
SEAL ROCK POINT.										
Light-house	"			"	"	58 15 0		58 15 0		
PORT MACQUARIE.										
Police Station...	"			"	"	79 16 2		79 16 2		
Gaol	"			"	"	3 0 0		3 0 0		
WEST KEMPSEY.										
Court-house	"			"	"	1 10 0		1 10 0	6 15 6	

Consolidated Revenue

MACLEAY RIVER. Pilot Station	Repairs		1877	Finished	5 11 9		5 11 9	
BELLINGER RIVER. Court-house								22 19 1
SOLITARY ISLANDS. Light-house	Surveying site		1877	Finished	2 15 0		2 15 0	
CLARENCE RIVER HEADS. Customs Station								1 9 4
HARWOOD ISLAND. Inspector of Distilleries Office	Repairs		1877	Finished	12 18 9		12 18 9	
GRAFTON. Post and Telegraph Office	Erecting	3,511	1874	"	4,240 13 10		924 11 9	10 2 6
Court-house								15 17 6
Police Station	Repairs		1877	Finished	16 15 0		16 15 0	
" (South Grafton)	Erecting		"	"	175 13 6		175 13 6	
Lock-up	Repairs		"	"	5 0 0		5 0 0	
Gaol	"		1876	"	416 1 0		266 1 0	
MACLEAN. Court-house								6 1 0
BALLINA. Custom-house	Repairs		1877	Finished	39 0 0		39 0 0	
LISMORE. Court-house	Erecting	1,450	"	Unfinished		400 0 0	400 0 0	
Court and Watch House								7 15 0
NAMBUCCA RIVER. Court-house								56 1 6
MURWILLUMBAH, TWEED RIVER. Court and Watch House	Erecting	1,400	1877	Finished	1,337 0 0		1,337 0 0	
Public Buildings generally	Superintendence		"	"	558 19 2		558 19 2	*291 2 4
"	Repairs		"	"	464 0 11		464 0 11	
"	Advertising		"	"	99 17 4		99 17 4	
Gaols and Court-houses generally	Superintendence		"	"	1,412 13 10		1,412 13 10	
Position Lights on Coast	Conveyance of apparatus.		"	"	48 15 8		48 15 8	
WORKS, &C., NOT UNDER THE IMMEDIATE SUPERINTENDENCE OF THE GOVERNMENT.					£ 137,736 6 10	168,154 10 1	200,149 0 2	9,840 12 9
Sewerage Works, Sydney	Constructing		1854	Unfinished		617,479 19 10	29,057 0 10	
Waterworks, Sydney	"		"	"		995,933 12 5	57,331 19 9	
St. John's College, Camperdown	"	40,000	Feb., 1861	"		40,999 19 4	169 1 0	
St. Andrew's College	"	20,000	Jan., 1874	"		24,140 14 8	3,569 18 4	88 17 9

Consolidated Revenue

Sewerage Act, 17 Vic. No. 34, Government Loan and Debentures, 17 Vic. No. 15, Government Loan, Debentures, and Water Rate, Government and Voluntary Contributions.

*Includes £233 3s. 7d. for ballot-boxes.

Inclusive of salaries, interest and other expenses.

In use.

REAL AND LEASEHOLD ESTATES.

No. 143.—DECENNIAL RETURN of the Number and Amount of Transactions in REAL AND LEASEHOLD ESTATES, registered in the Colony.

Nature of Transaction.	1868.		1869.		1870.		1871.		1872.		1873.		1874.		1875.		1876.		1877.											
	No. of Deeds registered.	Amount.	No. of Deeds registered.	Amount.	No. of Deeds registered.	Amount.	No. of Deeds registered.	Amount.	No. of Deeds registered.	Amount.	No. of Deeds registered.	Amount.	No. of Deeds registered.	Amount.	No. of Deeds registered.	Amount.	No. of Deeds registered.	Amount.	No. of Deeds registered.	Amount.										
	£	s.	d.	£	s.	d.	£	s.	d.	£	s.	d.	£	s.	d.	£	s.	d.	£	s.	d.									
Conveyances under Mortgage.	246	115,492	1 3	171	83,512	16 4	215	85,900	14 2	248	148,340	8 9	223	110,697	6 4	235	132,874	17 4	176	53,799	1 8	169	105,522	17 7	110	63,393	14 10	334	238,004	18 11
Conveyances (absolute)	2,130	550,096	0 2	2,512	619,446	12 2	2,263	573,388	2 7	2,261	482,539	19 0	2,397	665,430	2 9	2,051	801,360	5 1	3,482	1,245,506	13 8	4,472	1,464,136	14 6	4,553	1,663,934	13 4	5,005	2,228,895	1 0
Assignments (absolute), Leasehold Estates	76	19,651	16 0	109	59,927	19 6	101	24,907	12 6	96	25,651	11 9	125	52,174	13 1	152	52,216	15 7	160	62,688	13 8	168	110,853	5 8	220	96,562	10 4	203	110,798	15 2
Mortgages	1,257	648,180	16 4	1,368	861,679	11 0	1,323	669,942	5 9	1,478	697,440	12 1	1,331	611,857	5 10	1,241	711,315	10 3	1,388	826,703	11 0	1,581	1,039,116	0 11	2,126	1,402,848	1 9	1,758	1,308,774	11 3
Discharges of Mortgages	662	399,493	10 3	698	354,318	11 1	647	373,597	2 6	640	318,168	7 6	634	392,697	15 9	920	541,654	6 5	965	551,777	0 0	1,114	628,658	17 0	1,101	600,834	16 11	1,902	1,123,138	15 0
Transfers of Mortgages	65	54,321	17 3	88	97,040	6 5	76	44,681	17 2	79	42,892	16 0	75	78,434	17 3	78	96,994	5 11	51	26,497	9 2	63	42,103	3 10	69	58,695	14 2	71	49,528	9 9
TOTALS	4,442	1,787,836	1 3	4,946	2,075,925	16 6	4,625	1,772,477	14 8	4,808	1,714,943	5 1	4,785	1,911,292	1 0	5,277	2,336,416	0 7	6,242	2,766,072	9 2	7,567	3,390,390	19 6	8,179	3,886,269	11 4	9,273	5,059,230	11 1
Lease—Period exceeding three years	283	*16,750	3 10	297	*18,842	0 0	250	*13,829	9 4	268	*38,658	12 1	178	*10,314	12 1	216	*15,705	9 8	207	*15,447	10 0	245	*19,715	18 2	278	*20,932	14 10	*385	48,425	12 5
Annuity Deeds†
Assignment for Creditors	16	10	19	24	10	19	14	11	13	11
Settlements ante and post nuptial‡
Miscellaneous Deeds, i.e.— Partition deeds, appointments of trustees, disentailing deeds, disclaimers of trusts, deeds of gift, confirmations, powers of attorney, wills, releases of dower, &c., &c.	369	373	388	490	455	677	711	1,214	1,033	887
TOTAL NUMBER OF DEEDS REGISTERED †	5,110	5,626	5,282	5,590	5,428	6,189	7,174	9,037	9,503	10,556	5,107,656	3 6

* Yearly.

† Included in Miscellaneous.

‡ Exclusive of Government Deeds, for which no fees are charged for registration.

NOTE.—Leases for periods of three years and under are not registered.

STATISTICS—1877.

279

MORTGAGES ON LAND.

No. 144.—DECENNIAL RETURN of the Number and Amount of MORTGAGES ON LAND registered in the Colony.

Year.	Lent on Town Lands.			Lent on Suburban Lands.			Lent on Town and Country Lands.			Lent on Country Lands.			Total.		
	No. of Mortgages.	Amount.		No. of Mortgages.	Amount.		No. of Mortgages.	Amount.		No. of Mortgages.	Amount.		No. of Mortgages.	Amount.	
1868	507	£	s. d.	230	£	s. d.	44	£	s. d.	476	£	s. d.	1,257	£	s. d.
1869	556	249,691	4 9	320	68,919	14 11	36	23,091	19 0	456	306,477	17 8	1,368	648,180	16 4
1870	520	338,884	9 10	291	96,155	15 9	24	77,120	6 5	488	349,518	19 0	1,323	861,679	11 0
1871	632	209,475	12 9	464	103,820	15 1	43	24,052	19 4	339	272,592	18 7	1,478	669,942	5 9
1872	547	242,244	1 6	296	139,496	0 8	14	55,765	0 0	344	259,935	9 11	1,331	697,440	12 1
1873	580	280,580	9 10	366	82,469	2 9	12	20,044	2 0	351	228,763	11 3	1,241	611,857	5 10
1874	666	280,588	13 7	366	132,554	11 2	12	28,600	0 0	344	269,572	5 6	1,388	711,315	10 3
1875	615	384,255	12 6	422	143,329	11 4	11	12,380	19 0	533	286,737	8 2	1,581	826,703	11 0
1876	971	375,846	7 5	660	243,544	4 7	7	38,700	0 0	488	381,025	8 11	1,758	1,039,116	0 11
1877	518	639,814	14 2	660	310,663	7 11	8	10,699	0 0	572	441,670	19 8	1,758	1,402,848	1 9
		533,589	11 9	660	304,714	8 2		8,418	16 0		462,051	15 4		1,308,774	11 3

DISCHARGES OF MORTGAGES ON LAND AND CONVEYANCES UNDER MORTGAGE.

No. 145.—DECENNIAL RETURN of the Number and Amount of DISCHARGES OF MORTGAGES ON LAND AND CONVEYANCES UNDER MORTGAGE.

Year.	Discharges of Mortgages on Land.			Conveyances under Mortgage.		
	Number.	Amount.		Number.	Amount.	
1868	662	£	s. d.	246	£	s. d.
1869	698	399,493	10 3	171	115,492	1 3
1870	647	354,318	11 1	215	83,512	16 4
1871	646	373,597	2 6	248	85,960	14 2
1872	634	318,168	7 6	223	148,340	8 9
1873	920	392,697	15 9	235	110,697	6 4
1874	985	541,654	6 5	176	132,874	17 4
1875	1,114	551,777	0 0	169	53,799	1 8
1876	1,101	628,658	17 0	110	105,522	17 7
1877	1,902	600,834	16 11	334	63,393	14 10
		1,123,138	15 0		238,094	18 11

PREFERABLE LIENS ON WOOL, MORTGAGES ON LIVE STOCK.

No. 146.—DECENNIAL RETURN of the Number and Amount of PREFERABLE LIENS ON WOOL, and of MORTGAGES ON LIVE STOCK, registered in the Colony.

Year.	Preferable Liens on Wool.			Mortgages on Live Stock.						
	No. of Liens.	No. of Sheep.	Amount of Liens.	No. of Mortgages.	No. of Sheep.	No. of Horned Cattle.	No. of Horses.	Amount Lent.		
1868	286	3,695,587	£	s. d.	370	2,997,019	211,811	7,769	£	s. d.
1869	285	4,119,370	512,121	6 3	329	2,057,631	184,923	10,150	1,399,479	14 8
1870	317	3,411,469	531,777	9 8	294	1,281,340	147,119	3,884	1,195,493	2 4
1871	328	4,113,108	371,231	13 7	314	1,509,672	126,750	5,239	840,584	3 10
1872	360	2,716,378	451,926	13 5	303	1,467,020	114,801	3,420	703,333	5 0
1873	377	3,195,817	377,032	1 0	371	2,383,310	128,860	3,808	1,076,432	12 2
1874	444	2,959,892	472,861	4 2	508	2,277,567	152,241	6,019	1,723,336	19 8
1875	686	4,197,853	423,164	1 4	749	2,844,740	199,031	7,290	1,962,313	0 7
1876	920	4,828,951	674,746	18 2	758	2,480,004	258,447	5,847	2,008,969	18 11
1877	994	4,386,378	752,818	18 9	1,994	2,565,962	183,796	6,726	2,157,834	18 8
			627,779	9 7					2,004,363	2 10

N.B.—When any sum has been secured both by a Lien on the Wool and by a Mortgage of the Sheep, the amount is included under the head of Mortgages only.

DISCHARGES OF MORTGAGES ON LIVE STOCK.

No. 147.—DECENNIAL RETURN of the Number and Amount of DISCHARGES OF MORTGAGES ON LIVE STOCK, registered in the Colony.

Year.	Number.	Amount.
1868	111	£
1869	85	962,596
1870	95	741,238
1871	70	435,762
1872	184	333,536
1873	173	1,245,318
1874	148	1,015,863
1875	182	818,949
1876	190	992,780
1877	225	1,028,079
		1,292,703

LIENS ON GROWING CROPS.

No. 148.—DECENNIAL RETURN of the Number and Amount of LIENS ON GROWING CROPS in the Colony, registered in Sydney.

Year.	Number.	Amount.	
		£	s. d.
1868	112	11,308	13 10½
1869	151	13,672	11 1
1870	213	10,945	3 3
1871	266	13,170	7 8½
1872	281	11,795	13 5
1873	346	12,475	0 3
1874	329	13,336	9 10½
1875	302	14,181	4 9
1876	319	16,418	14 2
1877	477	27,086	8 6½

TRANSACTIONS UNDER "REAL PROPERTY ACT."

NUMBER OF APPLICATIONS, &c.

No. 149.—DECENNIAL RETURN of the Number of APPLICATIONS, with the Amount of FEES, &c., under the Real Property Act.

Year.	No. of Applications.	No. of Properties.	Area.			Value.	Fees.																	
			Town and Suburban.	Country.	Total.		Assurance.	Commissioners.	Certificates and other Dealings.	Total.														
											a.	r.	p.	£	s.	d.	£	s.	d.	£	s.	d.		
1868	304	495	430	0	39½	58,223	0	10	58,653	1	9½	214,813	413	4	8	350	10	0	1,758	9	4	2,522	4	0
1869	300	495	371	1	25	39,488	2	36½	30,860	0	22½	177,569	370	3	10	318	0	0	2,043	5	4	2,731	9	2
1870	280	466	338	2	20½	54,568	3	17	51,907	1	37½	203,476	423	12	3	311	5	0	2,190	0	8	2,924	17	11
1871	269	376	184	2	17½	14,335	1	12½	14,519	3	30½	197,338	412	13	9	349	0	0	2,577	16	4	3,339	10	1
1872	229	321	1,596	2	10	33,862	2	4	35,459	0	23	157,376	328	2	3	267	10	0	2,865	2	8	3,460	14	11
1873	251	427	1,085	3	18½	39,122	2	0	31,207	1	18½	335,289	703	16	1	401	5	0	3,235	16	8	4,340	17	9
1874	288	421	622	3	32	25,746	0	23	26,369	0	15	362,403	753	8	2	475	10	0	3,457	7	0	4,686	5	2
1875	256	353	358	2	38½	21,039	2	9	21,398	1	7½	229,258	480	15	10	410	10	0	5,138	0	8	6,029	6	6
1876	241	339	1,148	1	38½	5,366	0	4	6,514	2	2½	220,166	458	7	2	297	0	0	5,674	4	8	6,429	11	10
1877	240	342	897	1	14	5,904	2	23	6,801	3	37	210,431	440	7	4	332	15	0	6,603	3	0	7,376	5	4

1868—Exclusive of 17 applications withdrawn.

1869	"	8	"
1870	"	7	"
1871	"	12	"
1872	"	6	"
1873	"	7	"
1874	"	9	"
1875	"	8	"
1876	"	3	"
1877	"	9	"

DEALINGS.

No. 150.—RETURN showing the number of DEALINGS registered under the Real Property Act during the Years 1876 and 1877.

Instrument.	1876.		1877.	
	Number.	Amount of consideration.	Number.	Amount of consideration.
Transfers	2,866	£ 779,734	3,394	£ 1,046,340
Mortgages	1,204	1,100,576	1,423	1,976,142
Discharges	470	370,919	605	529,330
Encumbrances	11	20,941	6	11,704
Total	4,551	2,272,170	5,428	3,563,576

CROWN GRANTS REGISTERED, &c.

No. 151.—DECENNIAL RETURN showing the Number and Area of CROWN GRANTS registered, &c., under the Real Property Act.

Year.	Number of Grants.	Area.			Value.	Assurance.										
		Town and Suburban.	Country.	Total.												
							a.	r.	p.	£	s.	d.	£	s.	d.	
1868	4,116	1,649	0	7½	245,229	0	34	246,878	1	1½	271,158	7	10	567	12	7
1869	2,967	1,161	1	35½	168,791	3	6½	169,953	1	2	185,939	4	4	389	6	0
1870	3,301	1,432	3	30½	139,982	3	25½	141,415	3	26½	163,557	10	6	342	15	10
1871	3,108	418	2	38	138,553	3	34½	138,972	2	32½	162,107	6	2	338	3	5
1872	3,637	400	1	37½	173,522	1	13½	173,922	3	11	187,783	17	6	392	0	7
1873	3,454	446	1	32½	237,433	1	32½	237,879	3	25½	248,792	1	6	518	10	9
1874	4,080	876	2	32½	279,478	3	12½	280,355	2	5	326,228	18	9	680	3	7
1875	9,830	1,585	2	35	833,370	2	0	834,956	0	35	848,883	1	10	1,779	2	9
1876	5,275	798	3	11	659,212	3	33	660,011	3	4	671,353	18	11	1,400	14	2
1877	9,107	1,248	2	4½	1,173,037	3	12½	1,174,286	1	16½	1,204,648	3	0	2,512	2	4

STATISTICS—1877.

281

CIVIL JUSTICE.

SUPREME AND CIRCUIT COURTS.

No. 152.—RETURN showing the BUSINESS of the Supreme and Circuit Courts, and also the Divorce and Matrimonial Causes Court, during the Year 1877.

Civil Jurisdiction.			Equity.					Testamentary.			Appellate Jurisdiction.													
No. of Writs issued.	No. of Causes entered for Trial.	Total Amount for which Judgment signed.	No. of Bills filed.	No. of Claims.	No. of Petitions.	No. of Decrees and Orders.	No. of Probates and Administrations Will annexed.	Amount sworn to.	No. of Letters of Administration.	Amount sworn to.	No. of Cases from Insolvent Court.	No. of Cases from District Court.												
2,887	286	£ s. d. 127,204 14 10 ³ / ₄	37	Nil	48	102	530	£ s. d. 1,336,599 0 0	471	£ s. d. 291,391 8 11	1	5												
Amounts recovered.			Suits and Proceedings in Equity.					Admiralty, Insolvency, and Ecclesiastical.			Orders made in Chambers and in Banco of all kinds.		Criminal Sitings											
£5,000 and upwards.	£500 up to £5,000.	£50 up to £500.	No. of Writs of Ejectment.	No. of Days occupied in Jury Trials on Circuit.	No. of Days occupied in Jury Trials in Sydney.	No. of Days' Sittings in Banco.	No. of Bills and Answers filed.	No. of Petitions and Motions.	No. of Orders and Decrees made, of all kinds.	No. of Appeals to the full Court.	Hearings.	Appeals.	Value of Property in Contest: i.e.— How many Suits or Proceedings affected Property of—	No. of Orders and Decrees made in these Jurisdictions severally.	No. of Days' Sittings in each, including Equity Appeals and Appeals in Insolvency.	No. of Orders in Banco.	No. of Orders in Chambers.	No. of Days on Circuit.	No. of Days in Sydney.					
* £	* £	* £	61	90	76	57	88	102	2	46	5	*	*	*	7	8	10	11	3	12	123	234	*	*

DIVORCE AND MATRIMONIAL CAUSES COURT.

Petitions for Dissolution of Marriage.	Petitions for Judicial separation.	Petitions for Alimony.	Appearances entered.	Answers filed.	Affidavits filed.	Citations filed.	Replications filed.	Motions for hearing.	Orders to set down.	Causes for hearing.	Decrees for Dissolution of Marriage.	Rules discharged.	Cases alimony granted in.	Orders to protect wife's earnings.	Orders for substitution of service.	Orders to examine witnesses under Commission.	Orders of Court.	Orders to proceed <i>in forma Pauperis</i> .	Orders for service out of jurisdiction.	Orders dismissing Petitions on application.	Subpœnas.	Commission to examine witnesses.	Records of Issues.	Appeals to full Court.	Attachments issued.	Petition for restitution of conjugal rights.	Orders on appeal.	Orders allowing Attorney General to intervene.	Orders staying proceedings.	Master's Certificates.
18	...	3	5	2	208	25	2	11	11	19	1	3	...	3	2	15	2	18	...	10	1

* Cannot be ascertained.

No. 153.—RETURN of the Number of CIVIL CASES tried in the Supreme and Circuit Courts, during the Year 1877.

District where tried.	Juries of Four.		Juries of Twelve.		Total.
	Defended.	Undefended or Settled.	Common.	Special.	
Supreme Court, Sydney ...	134	75	3	212
Circuit Courts ...	Albury ...	6	4	10
	Armidale ...	1	1	2
	Bathurst ...	4	1	5
	Deniliquin ...	8	3	12
	Dubbo ...	3	3
	Goulburn ...	6	6
	Grafton ...	7	7
	Maitland ...	6	12	18
	Mudgee ...	2	2
	Tamworth ...	5	2	7
	Wagga Wagga ...	1	1
Yass ...	1	1	
TOTAL, CIRCUIT COURTS ...	50	23	1	74
GENERAL TOTAL ...	184	98	4	286

No. 154.—DECENNIAL RETURN of the Number of CIVIL CASES tried in the Supreme and Circuit Courts.

Year.	Before Juries of Twelve.		Before Juries of Four.		Total.
	Common.	Special.	Defended Cases.	Undefended Cases.	
1868	3	126	2	131
1869	2	110	6	118
1870	103	4	107
1871	84	1	85
1872	96	3	99
1873	132	6	138
1874	154	3	157
1875	129	2	131
1876	208	* 85	293
1877	4	184	* 98	286

* Undefended or Settled Cases.

CIVIL JUSTICE—continued.

DISTRICT COURTS.

No. 155.—RETURN showing the Number of Suits commenced in the several DISTRICT COURTS in the Colony, during the Twelve Months preceding the 1st day of March, 1878, and other particulars.

District.	The Number of Suits.		Settled.		The Number of Cases.			The Result of the Trials.		The Costs of the Suits.	The Number and Result of Appeals.			The Number of Cases left in Arrear.	The Number of	
	Commenced.	Total Amount Sued for.	Without hearing.	By Arbitration.	Tried.	By Jury.	Without Jury.	For Plaintiff.	For Defendant.		Appeals.	Judgments or Orders affirmed.	Reversed.		Motions for New Trials.	New Trials granted.
METROPOLITAN AND COAST DISTRICT.																
Sydney	5,784	£ 64,508 8 1	2,404	1	3,378	22	3,356	3,104	274	*5 845 11 10	9	1	17	2
Maitland East	182	3,233 8 6	86	...	96	...	96	85	11	133 6 0	3	...
Campbelltown	43	698 15 4½	17	...	26	...	26	23	3	74 19 4
Windsor	71	1,150 14 6	23	...	46	...	46	41	5	40 3 2	2
Parramatta	62	1,128 14 3	32	...	30	...	30	27	3	31 1 4
Penrith	45	783 3 0½	22	...	23	1	22	19	4	22 15 2
Singleton	28	722 13 5	5	...	8	...	8	5	3	67 16 4	15
Newcastle	338	5,369 0 9	164	...	174	2	172	152	22	770 11 11
	6,553	77,594 17 11	2,753	1	3,781	25	3,756	3,456	325	6,986 5 1	9	18	20	2
SOUTHERN DISTRICT.																
Wollongong	35	964 11 2	15	...	20	...	20	17	3	90 11 8
Kiama	51	1,652 8 0	24	1	26	...	26	23	3	111 0 1
Nowra	29	1,128 10 7	11	1	17	...	17	11	6	27 17 0
Goulburn	108	4,514 17 6	52	...	56	9	47	50	6	63 13 6
Yass	183	3,854 0 2	55	...	117	...	117	106	11	78 15 6	11
Queanbeyan	54	1,295 12 3	27	1	25	1	24	20	5	134 19 8	1
Cooma	124	4,597 3 11½	35	...	79	8	71	70	9	103 17 6	10
Bega	73	1,783 10 7	36	1	36	5	31	35	1	119 16 2
Eden	16	472 16 9	2	...	14	...	14	13	1	89 2 6
Bombala	136	4,408 14 8½	33	...	99	5	94	93	6	101 7 6	4
Braidwood	76	2,032 18 5	15	...	60	5	55	51	9	190 12 9	1	...	1	1	5	1
Moruya	21	528 13 4½	11	...	10	...	10	7	3	45 9 10
Berrima	34	1,375 19 7	15	...	15	3	12	12	3	40 0 8	1	1	...	4	1	...
Hartley	26	462 16 7½	10	...	15	...	15	14	1	14 3 6	1
Mudgee	139	5,379 11 6½	53	1	80	13	67	62	18	76 15 0	1	...	1	5	1	1
Ulladulla (Milton)	17	354 12 1	7	...	10	...	10	10	...	14 3 0
Burrowa	42	4,264 16 11	11	...	31	...	31	22	9	45 8 0
	1,164	39,071 14 2½	412	5	710	49	661	616	94	1,347 13 10	3	1	2	37	7	2
SOUTH-WESTERN DISTRICT.																
Young	60	2,677 15 8	27	...	32	3	29	27	5	59 10 0	1
Grenfell	37	1,225 15 4	11	...	26	1	25	22	4	69 13 1
Gundagai	53	2,244 18 1	29	...	24	2	22	18	6	59 7 4
Tumut	46	1,450 18 9	5	...	41	1	40	32	9	183 6 0
Wagga Wagga	218	5,154 18 3½	106	...	95	5	90	90	5	488 11 2	17
Albury	121	3,845 12 11	48	...	73	5	68	68	5	257 13 9	1	1	1
Corowa	23	932 9 1	13	...	10	...	10	10	...	17 0 0
Deniliquin	67	3,833 0 10	26	3	33	6	27	27	6	494 5 8	1	5
Hay	48	3,146 3 2½	21	...	25	4	21	23	2	614 15 2	2
Wentworth	9	324 17 0	4	...	5	...	5	4	1	80 3 8
Balranald	9	310 12 9	3	...	6	1	5	5	1	21 15 0
	691	25,147 1 11	293	3	370	28	342	326	44	2,346 0 10	1	25	1	1
WESTERN DISTRICT.																
Dubbo	53	2,102 9 0	20	...	33	2	31	26	7	330 13 6
Wellington	34	1,820 8 9	9	...	23	2	21	22	1	176 14 8	2	1	...
Orange	76	2,808 10 5	44	1	31	4	27	25	6	77 12 0
Forbes	66	3,231 7 11	22	...	39	...	39	30	9	69 6 6	5
Carcoar	50	1,687 12 0½	9	...	32	2	30	29	3	201 1 8	9	1	1
Bathurst	132	4,572 9 2	50	...	77	3	74	69	8	399 15 10	5	1	...
Hill End	10	513 14 10½	1	...	9	...	9	5	4	8 16 6
Bourke	32	1,858 15 10	17	...	14	...	14	10	4	268 12 2	1
Molong	12	560 6 3	7	...	5	1	4	5	...	9 10 0
	465	19,155 14 3	179	1	263	14	249	221	42	1,542 2 10	22	3	1
NORTHERN DISTRICT.																
Muswellbrook	14	151 5 11	7	...	7	...	7	5	2	33 14 10
Murrurundi	28	888 4 1	13	...	14	1	13	14	...	92 13 2	1
Tamworth	98	2,086 18 10	53	...	45	2	43	44	1	159 15 7
Armidale	96	1,619 0 0	51	...	41	2	39	33	8	71 2 6	4
Tenterfield	38	1,339 12 10	32	1	31	32	...	70 6 6	6
Glen Innes	44	1,629 18 5	19	1	20	1	19	16	4	180 3 8	4
Grafton	150	4,124 2 4	47	...	85	6	79	72	13	544 17 6	18
Casino	44	1,437 3 10	25	...	19	2	17	14	5	138 5 8
Port Macquarie	4	40 0 8	4	...	4	2	2	1 3 0
Kempsey	33	706 9 6	3	...	28	...	28	27	1	24 7 8	2
Wingham	13	225 16 5	2	...	11	...	11	9	2	17 12 6	2
Narrabri	7	141 4 8	2	...	5	...	5	5	...	10 16 2
Scone	10	780 2 7	4	...	5	...	5	4	1	32 11 10	1
Inverell	25	809 16 3	8	...	10	...	10	9	1	20 18 8	7
Gunnedah	14	431 4 0	7	...	7	...	7	6	1	10 15 2
	618	16,411 0 4	241	1	333	15	318	292	41	1,409 4 5	43	2	...
GENERAL TOTAL ...	9,491	177,380 8 7½	3,878	11	5,457	131	5,326	4,911	546	13,631 7 0	13	1	2	145	33	6

* This amount does not include the costs in those cases above £10 in which attorneys were employed, and in which defendants confessed judgment.

STATISTICS—1877.

283

EQUITY, &c.—FEES.

No. 156.—DECENNIAL RETURN of the Amount of FEES collected in the Departments of the Master in Equity and the Prothonotary.

Year.	Curator of Intestate Estates—Duties on Estates of persons dying Intestate.	Equity.	Prothonotary—Ecclesiastical.	Divorce.	Prothonotary—Miscellaneous.	Total.
	£ s. d.	£ s. d.	£ s. d.	£ s. d.	£ s. d.	£ s. d.
1868	351 8 0	735 7 11	62 15 10	1,573 14 5	2,723 6 2
1869	1,736 4 9	536 7 1	117 4 10	1,493 11 0	3,883 7 8
1870	128 15 3	493 2 1	104 19 9	1,615 0 6	2,341 17 7
1871	615 1 9	488 3 10	109 11 7	1,651 1 5	2,863 18 7
1872	696 16 5	605 6 6	107 4 10	1,497 16 0	2,907 3 9
1873	473 3 1	510 7 5	121 14 7	1,918 6 0	3,023 11 1
1874	813 4 2	479 6 4	131 5 2	1,826 5 8	3,250 1 4
1875	395 14 9	547 15 0	106 14 3	111 3 6	1,939 1 11	3,100 9 5
1876	412 7 0	695 19 2	*	68 11 6	2,626 14 8	3,803 12 4
1877	428 14 1	465 17 11	*	89 14 7	3,193 10 7	4,177 17 2

* Included in Miscellaneous.

INTESTATE ESTATES.

No. 157.—RETURN of INTESTATE ESTATES dealt with by the CURATOR during the Year ended 31 December, 1877, and also the BALANCE paid into the Treasury of ESTATES of previous Years.

Sex of Intestate.	Estates dealt with by the Curator during the Year.					
	Fresh Estates.				Balances of Estates remaining from previous years paid into Treasury.	
	Number.	Estimated Value.	Actual Receipts.	Actual Payments.	Number.	Payments.
		£ s. d.	£ s. d.	£ s. d.		£ s. d.
Males	218	12,760 1 2	5,572 4 5
Females	10	428 14 1	107 3 11
Total	228	13,188 15 3	5,679 8 4

No. 158.—DECENNIAL RETURN OF INTESTATE ESTATES.

Year.	Intestate Estates dealt with by the Curator.			Amount received by the Curator		Amount paid by the Curator	
	Number.		Estimated Value of fresh Estates.	On fresh Estates.	On Estates remaining from previous years.	On fresh Estates.	On Estates remaining from previous years.
	Fresh Estates.	Estates remaining from previous years.					
			£ s. d.	£ s. d.	£ s. d.	£ s. d.	£ s. d.
1868	133	34,431 8 5	8,054 13 0
1869	96	12,362 7 0	10,960 7 10
1870	92	5,446 11 6	663 4 1	4,002 9 7	663 4 1
1871	124	27,992 8 9	27,176 11 7
1872	123	18,903 7 7	771 17 10	17,011 12 10	771 17 10
1873	125	10,148 1 3	3,875 5 8	7,362 6 3	3,875 5 8
1874	133	17,896 17 3	1,551 11 4	15,408 1 3	1,551 11 4
1875	151	8,000 13 9	5,138 4 2	4,626 1 1	5,138 4 2
1876	199	13,998 9 5	13,024 10 6	4,168 10 5	13,024 10 6
1877	228	13,188 15 3	5,679 8 4

INSOLVENCIES.

No. 159.—DECENNIAL RETURN of the Number of INSOLVENCIES in the Colony.

Year.	Number of Insolvents.			Amount of Liabilities as shown in the Insolvents' Schedules.	Amount of Assets as shown in the Insolvents' Schedules.	Number of Assignees elected by Creditors to act with the Official Assignee.	Amount of Deficiency shown in the Insolvents' Estates.	Amount of Court Fees in Insolvency collected under the Act of Council, and paid at the Treasury.
	Voluntary.	Compulsory.	Total.					
	No.	No.	No.	£ s. d.	£ s. d.		£ s. d.	£ s. d.
1868	507	27	534	572,651 11 10	233,098 17 5	339,552 14 5	2,159 17 3
1869	513	17	530	483,145 13 10	296,979 12 3	1	186,166 1 7	1,882 10 11
1870	448	28	476	671,870 11 1	394,006 19 8	4	277,863 11 5	1,812 7 5
1871	515	29	544	325,941 5 9	124,288 11 10	3	201,652 13 11	2,023 18 7
1872	457	35	492	370,935 3 6	127,217 7 11	242,817 15 7	1,681 13 9
1873	392	34	426	301,225 8 7	120,136 4 5	3	181,089 4 2	1,587 2 0
1874	394	33	427	254,641 11 2	89,447 5 1	165,194 6 1	1,458 16 0
1875	462	38	500	536,439 18 6	172,181 8 4	1	364,258 10 2	1,764 3 0
1876	461	41	502	492,846 12 0	169,603 7 8	2	323,243 4 4	1,738 17 0
1877	534	54	588	508,352 10 4	210,821 4 1	2	297,531 6 3	1,850 4 0

MINERS' RIGHTS, MINERAL AND BUSINESS LICENSES.

No. 160.—RETURN showing the Number of MINERS' RIGHTS, MINERAL AND BUSINESS LICENSES, issued at each of the Gold Fields in the Colony, and at the Treasury, in the Year 1877.

Name of Gold Field.	Miners' Rights.	Licenses.		Name of Gold Field—continued.	Miners' Rights.	Licenses.	
		Mineral.	Business.			Mineral.	Business.
	No.	No.	No.		No.	No.	No.
Adelong	230	5	Macleay River	3
Araluen	212	7	Mudgee	64	7
Albury	66	21	Moruya	17
Armidale	80	3	1	M'Guigan's	114	21
Bingera	63	1	1	Mitchell's Creek	59
Barraba	38	1	Nerrigundah...	101	11
Bombala	37	14	Nowra	33	2
Braidwood	127	7	Nundle	172	11	11
Bathurst	57	12	Orange	46	2
Ballina	39	Oberon	9
Cowra	17	Parkes	252	34
Cooma	11	Queanbeyan	16	1
Corowa	18	Rockley	91	17
Carcoar	57	2	Reedy Flat	91	8
Cargo	74	2	2	Sofala	487	26
Coonabarabran	1	Scone	38	1
Dalmorton	25	4	Trunkey	61	22
Dungog	1	Tuena	67	4	3
Forbes	118	3	43	Ten-mile Creek
Gundagai	41	4	Tumbarumba	163	5
Gulgong	509	2	98	Tumut	29	2
Grafton	18	1	1	Tenterfield	54	50	5
Gundaroo	5	Tingha	9	129
Grenfell	67	22	Uralla	81	1
Glen Innes	47	40	1	Urana	57
Hay	Vegetable Creek	11	101
Hargraves	211	28	Wellington	45
Hartley	4	Wagga Wagga	11
Hill End	632	28	Wilson's Downfall	4	4
Ironbarks	161	24	Walcha	61
Kiandra	109	2	Yarrara	11
Lunatic	96	3	Young	234	3	23
Little River	218	9	Issued at the Treasury	106	43
Langworthy	190	7				
Lionsville	41	1	3	General Total	6,288	408	553
Major's Creek	82				

STATISTICS—1877.

285

GOLD-MINING MACHINERY.

ALLUVIAL MINING.

No. 161.—RETURN showing the Number and Description of Machines employed in ALLUVIAL MINING in the Colony of New South Wales, in the Year 1877.

Police Districts and Mining Districts.	Alluvial Mining.													
	Steam-engines employed in Winding, Pumping, &c.		Puddling Machines.	Whims and Fallies.	Whips.	Quicksilver, as Compound Cradles.	Sluices and Toms.	Water-wheels.	Hydraulic Hoses.	Pumps.	Sluice-boxes.	Derricks.	Stamp Heads.	Boring Machines.
	No.	Aggregate horse-power.												
Bathurst District—			No.	No.	No.	No.	No.	No.	No.	No.	No.	No.	No.	No.
Bathurst			4	6
Trunkey			2
Tuena	20	3	...	3	24
Carcoar... ..			3	4	8
Cowra	2	1
Oberon
Rockley			1	12	2	12
Orange	1	40	1
Mitchell's Creek			15	4
Tambaroora and Turon District—														
Hill End			1	50	40	2	20
Sofala			8	17	...	17
Ironbarks			7	8	1
Mudgee District—														
Gulgong			5	1	5	54
Mudgee			6	4	10	...	10	2	...	2	10
Wellington	3	3	...	3	50
Hargraves			22
Lachlan District—														
Forbes			4
Parkes			22	90	22
M'Guigan's			17	50	12	...	12
Cargo
Grenfell			3
Young			3	1	1	1
Southern District—														
Braidwood	10	5	...	40	50
Araluen	3	63	2	10	4	20	44
Major's Creek			12	3	1	3
Little River	1	60	12	...	2	150	...	10	...
Nerrigundah	12	4	...	4	12
Shoalhaven
Moruya...
Gundaroo	3
Gunning
Tumut and Adelong District—														
Adelong	1	30	3	6	...	5	5
Reedy Flat	12	...	4	...	12
Tumut
Gundagai
Yass
Tumbarumba	120	10	10	...	600
Kiandra
Yarrara
Albury	1	...	1	1	...	1
Queanbeyan
Peel and Uralla District—														
Armidale	2
Uralla	2	4	...	2	...	1	2	12
Nundle
Scone
Bingera
Barraba			2	1	1	2
Tingha	6	45	...	1	1	...	60	60	1
Vegetable Creek	1	12	30	7	36	39	1
Walcha...
Barrington (Back Ck.)		
New England and Clarence District—														
Tenterfield	2	...	2	4	2	3	...	15
Little River	12
Solferino
Ballina	4
Lunatic...
Total... ..	15	190	154	176	29	54	337	95	21	248	1,172	1	10	2

GOLD-MINING MACHINERY—*continued.*

QUARTZ-MINING.

No. 161 (*continued*).—RETURN showing the Number and Description of Machines employed in QUARTZ-MINING in the Colony, in the Year 1877.

Police Districts and Mining Districts.	Quartz-mining.							
	Steam-engines employed in Winding, Crushing, &c.		Crushing Machines.	Stamp Heads.	Whims and Pulleys.	Water-wheels.	Derricks.	Whips.
	No.	Aggregate horse-power.						
Bathurst District—			No.	No.	No.	No.	No.	No.
Bathurst	3	40	3	35	5
Trunkey	4	140	5	79	2	1	2
Tuena	3	49	3	35
Carcoar	8	91	8	117	1
Cowra
Oberon
Rockley	1	5	1	5
Orange	4	100	4	28	2
Mitchell's Creek	3	32	3	13	1
Tambaroora and Turon District—								
Hill End	20	392	15	184	5	1	2	5
Sofala	6	93	6	50	3
Ironbarks	4	45	4	47	1
Mudgee District—								
Gulgong	2	2	25
Mudgee	1	16	2	12	1
Wellington	3	2	35	1
Hargraves	2	18	3	17	1
Rylstone
Lachlan District—								
Forbes	3	47	2	22
Parkes	5	85	5	70	5
M'Guigan's	1	12
Cargo	2	25	2	21	1
Grenfell	4	57	3	3
Young	3	32	3	28
Southern District—								
Braidwood
Araluen	2	20	3	28	1
Major's Creek	4	32	3	42
Little River
Nerrigundah	1	4	1	4
Shoalhaven	3	11	1
Moruya	1	20	1	10	1
Gundaroo
Gunning	2	24	2	18	2
Tumut and Adelong District—								
Adelong	3	2	31	14	2	4
Reedy Flat	1	4
Tumut	1	10	1	8	1	1
Gundagai	3	30
Yass	1	12	1	10
Tumbarumba	4	40	4	31	2
Kiandra	1	40	1	1
Yarrara	3	76	6	28	1
Albury
Queanbeyan	1	5	1
Peel and Uralla District—								
Armidale	1	8	1	8	2
Uralla
Nundle	1	15	5	26	4
Scone	2	20	3	26	1	1
Bingera	1	15	1
Barraba	1	10	1
Tingha	1	5
Vegetable Creek
Walcha	1	8	1	15	1
Barrington (Back Creek)	1	14	1	10
New England & Clarence District—								
Tenterfield	2	20	20	14	7	4	7
Little River	1	30	1	10
Solferino	2	25	4	35	1	2	3
Ballina
Lunatic	2	13	4	2
Total	120	1,735	152	1,232	57	26	2	25

STATISTICS—1877.

287

PUBLICANS' LICENSES.

No. 162.—RETURN showing the Number of PUBLICANS' LICENSES issued in the Colony, during the Year 1877.

Districts.	Number.	Districts—continued.	Number.
Sydney (City and Suburbs)	800	Moree	5
Country Districts—		Moruya	17
Adelong	8	Moulamein	3
Albury	44	Mudgee	39
Araluen	1	Mulwala	1
Armidale	38	Murrumburah	4
Ballina	2	Murrurundi	18
Balranald	13	Muswellbrook	12
Barraba	1	Narrabri	4
Bathurst	86	Newcastle	137
Bega	14	Nowra	4
Berrima	14	Nundle	7
Bingera	6	Oberon	1
Blayney	1	Obley	5
Bombala	10	Orange	57
Bourke	51	Parkes	5
Braidwood	27	Parramatta	58
Bundarra	2	Paterson	5
Burrowa	21	Penrith	17
Camden	5	Picton	3
Campbelltown	8	Pooncarie	2
Cannonbar	10	Port Macquarie	2
Carcoar	39	Port Stephens	10
Casino	15	Queanbeyan	18
Cassilis	8	Raymond Terrace	3
Clarence Town	2	Rockley	5
Condobolin	2	Rydal	1
Cooma	24	Ryde	1
Coonabarabran	13	Rylstone	11
Coonamble	24	Scone	8
Corowa	20	Shoalhaven	10
Cowra	6	Singleton	20
Dandaloo	1	Sofala	7
Deniliquin	59	Stoney Creek	13
Denison Town	1	Tambaroora	16
Drake	1	Tamworth	51
Dubbo	52	Ten-mile Creek	7
Dungog	5	Tenterfield	20
Eden	6	Tocumwal	3
Ellalong	1	Toogong	1
Euston	4	Trunkay Creek	4
Forbes	55	Tuena	6
Glen Innes	18	Tumbarumba	7
Gosford	6	Tumut	12
Goulburn	58	Ulladulla	1
Grafton	70	Urana	7
Grenfell	19	Uralla	2
Gulgong	25	Vegetable Creek	4
Gundagai	41	Wagga Wagga	82
Gunnedah	22	Walcha	5
Gunning	2	Walgett	16
Hargraves and Windeyer	8	Wallabadah	14
Hartley	27	Wallerawang	1
Hay	63	Waratah	28
Hillston	5	Warialda	24
Inverell	21	Warren	6
Jerilderie	3	Wee Waa	12
Kiama	7	Wellington	22
Kiandra	2	Wentworth	19
Lawrence	2	Wilcannia	8
Lismore	7	Windsor	21
Liverpool	8	Wingham	6
Macleay	5	Wollombi	5
Macleay River	17	Wollongong	21
Maitland	65	Yass	23
Menindie	9	Yetman	2
Merriwa	5	Young	34
Mitchell	9		
Moama	10		
Molong	26		
		Total	3,043

REGULAR MILITARY FORCES.

No. 163.—RETURN showing the Distribution of the REGULAR MILITARY FORCES of the Colony on the 31st December, 1877.

Corps or Company.	Colonel Comman- dant.	Colonel Com- manding Artillery Forces.	Brigade Major.	Brigade Pay and Quarter- master.	Medical Officer.	Majors.	Captains.	Subalterns.	Sergeants.	Trum- peters.	Rank and File.	Total.
General Staff... ..	1		1	1	1		1		4			9
New South Wales Artillery		1				2	2	8	27	10	299	349
Total	1	1	1	1	1	2	3	8	31	10	299	358

VOLUNTEER CORPS AND COMPANIES.

No. 164.—RETURN showing the DISTRIBUTION of the VOLUNTEER CORPS and COMPANIES, Head Quarters, Sydney, on 31st December, 1877.

Distribution.	Colonel Commandant.	Colonel Commanding Artillery Forces.	Lieut-Colonels.	Majors.	Captains.	Subalterns.	Medical Officers and Chaplains.	Sergeants.	Trumpeters and Buglers.	Rank and File.	Total.
General Staff	I	2	I	...	6	24	...	5	39
Head Quarters Band	I	...	I	...	21	23
ARTILLERY.											
Staff	I	I	I	I	I	2	...	7
Band	22	24
No. 1 Battery	I	3	...	5	...	37	46
" 2 "	I	I	...	5	...	36	44
" 3 "	2	...	4	...	30	37
" 4 "	I	2	...	5	...	39	48
" 5 "	I	2	...	5	...	34	42
" 6 "	I	2	...	5	I	29	38
" 7 "	I	I	...	5	...	34	41
" 8 "	I	I	...	5	I	30	38
" 9 "	I	I	...	31	38
" 10 "	I	I	...	I	...	30	33
" 11 "	I	4	2	33	40
ENGINEERS	I	2	...	4	...	55	62
RIFLES.											
<i>First Regiment.</i>											
Staff	I	2	I	...	I	2	I	...	8
No. 1 Company	I	2	...	6	I	48	58
" 2 "	I	5	2	48	56
" 3 "	I	2	...	6	...	32	41
" 4 "	I	2	...	5	...	43	51
" 5 "	I	I	...	6	I	50	59
" 6 "	I	2	...	6	2	48	59
" 7 "	I	2	...	3	...	41	47
" 8 "	I	I	...	5	I	63	71
<i>Second Regiment.</i>											
Staff	I	2	I	I	I	2	I	...	9
Band	I	...	16	17
No. 1 Glebe Company	3	...	38	42
" 2 Balmain "	I	I	...	5	I	57	65
" 3 Paddington & Surry Hills Company	I	2	...	6	I	65	75
" 4 St. Leonards Company	I	2	...	5	2	32	42
" 5 South Sydney Company	I	2	...	6	2	80	91
Highlanders (2 Companies)	2	4	I	9	2	64	82
<i>Western Battalion.</i>											
Staff	I	I
Penrith (No. 1 Company)	I	2	...	5	2	41	51
Parramatta (No. 2 Company)	I	I	...	5	I	35	43
Hawkesbury (No. 3 Company)	I	5	2	45	53
Bathurst (No. 4 Company)	I	2	...	6	I	48	58
Goulburn (No. 5 Company)	I	2	...	5	I	37	46
Richmond (No. 6 Company)	I	...	5	I	44	51
Orange (No. 7 Company)	I	2	...	6	I	60	70
Mudgee (No. 8 Company)	I	I	...	5	...	43	50
<i>Northern Battalion.</i>											
Staff	I	I
Newcastle (No. 1 Company)	I	2	...	5	I	51	60
East Maitland (No. 2 Company)	I	8	...	41	50
West Maitland (No. 3 Company)	I	2	I	6	I	59	70
Singleton (No. 4 Company)	I	2	I	5	...	33	42
<i>Southern Battalion.</i>											
Staff	I	I
Ulladulla (No. 1 Company)	I	2	...	5	I	48	57
Kiama (No. 2 Company)	2	...	6	I	65	74
Jamberoo (No. 3 Company)	I	2	...	5	I	44	53
Wollongong (No. 4 Company)	I	I	I	6	2	48	59
<i>Cadet Corps.</i>											
King's School	I	6	...	70	77
Newington College	I	6	...	72	79
Sydney Grammar School	4	I	...	4	...	87	93
Sauehie House School	I	3	...	32	36
Public Schools	I	107	...	1049	1157
TORPEDO AND SIGNALLING CORPS											
General Total	I	I	3	11	47	68	13	376	43	3288	3851

STATISTICS—1877.

289

NAVAL BRIGADE.

No. 165.—RETURN showing the Distribution of the NAVAL BRIGADE on the 31st December, 1877.

Corps or Company.	Captain Commanding Brigade, Sydney.	Commanders.	Lieutenants Commanding Companies.	Sub-Lieutenants.	Medical Officers.	Clerk and Accountant.	Warrant and Petty Officers.	Midshipmen and Cadets.	A.B's.	Gunnery Instructors.	Total
Sydney ...	1	1	4	4	1	1	16	17	184	1	230
Newcastle	1	1	1	1	4	1	46	1	56
Total ...	1	2	5	5	2	1	20	18	230	2	286

ARTILLERY GUNS.

No. 166.—RETURN showing the Number and Calibre of ARTILLERY GUNS in the Colony on the 31st December, 1877.

Description.	Guns.						
	Mounted.		Dismounted.		Total Guns.	Unserviceable (not included in the foregoing.)	
	No.	Calibre.	No.	Calibre.	No.	No.	Calibre.
18-ton ...	6	10-inch	6
12-ton ...	4	9-inch ...	2	9-inch ...	6
110-pounders	2	7-inch ...	2
10-inch ...	9	10-inch ...	1	10-inch ...	10
8-inch ...	4	8-inch ...	2	8-inch ...	6
80-pounders ...	19	6-inch ...	6	6-inch ...	25
68-pounders ...	12	8-inch ...	6	8-inch ...	18
42-pounders ...	10	6'97-inch	10
40-pounders (Armstrong)	5	4'75-inch	5
32-pounders ...	30	6'41-inch ...	13	6'41-inch ...	43
32-pounders (siege)	2	6'41-inch	2
24-pounders ...	4	5'823-inch ...	2	5'823-inch ...	6
20-pounders (Armstrong)	1	3'75-inch ...	1
16-pounders (M.L.R.)	10	3'6-inch	10
12-pounders (Field Guns)	9	4'58-inch	9
9-pounders ...	4	4'2-inch	4
6-pounders ...	6	3'668-inch	6	2	3'668-inch.
3-pounders	1	2'91-inch.
Total ...	134	35	General Total...	169	3

RECAPITULATION OF ARTILLERY GUNS.

Number.		Calibre.		Weight of Shot or Shell.			
BRASS.		BRASS.		Tons	cwt.	qrs.	lbs.
9	12-pounders ...	4'58-inch	...	4	0	3	6
4	9-pounders ...	4'2-inch	...	11	0	1	12
8	6-pounders ...	3'668-inch	...	6	7	0	19
1	3-pounder ...	2'91-inch
IRON.		IRON.					
6	18-ton ...	10-inch	...	100	9	1	9
6	12-ton ...	9-inch	...	63	17	2	1
2	110-pounders ...	7-inch	...	42	0	2	22
10	10-inch ...	10-inch	...	86	1	2	20
6	8-inch ...	8-inch	...	7	16	1	0
25	80-pounders ...	6-inch	...	260	15	2	9
18	68-pounders ...	8-inch	...	244	0	2	13½
10	42-pounders ...	6'97-inch	...	35	15	3	0
5	40-pounders (Armstrong)	4'75-inch	...	81	5	3	9
43	32-pounders ...	6'41-inch	...	200	7	1	4½
2	32-pounders (siege) ...	6'41-inch
6	24-pounders ...	5'823-inch
1	20-pounder (Armstrong)	3'75-inch	...	0	8	1	20
10	16-pounders (M.L.R.)	3'6-inch	...	4	6	0	0
172	... Total.	Total	...	1,148	13	1	5½

ELECTORS AND VOTERS.—GENERAL ELECTION, 1877.

No. 167.—RETURN showing the Number of Electors on the Rolls of the several ELECTORAL DISTRICTS of the Colony, as also the Number of Persons who recorded their Votes at the General Election in 1877.

Electoral District.	Date of Nomination.	Polling Day.	Number of Members returned.	Number of Electors on the Roll.	Number of Persons who voted.
Argyle	30 October, 1877...	1 November, 1877 ...	1	2,430	1,480
Balranald	29 " " " "	12 " " " "	1	3,440	797
Bathurst	27 " " " "	29 October, " " "	1	1,688	868
The Bogan	29 " " " "	12 November, " " "	1	7,401	2,481
Braidwood	26 " " " "	31 October, " " "	1	1,693	*
Camden	26 " " " "	30 " " " "	2	2,362	1,255
Canterbury	26 " " " "	29 " " " "	2	6,589	†
Carcoar	26 " " " "	30 " " " "	1	2,527	*
The Clarence	29 " " " "	3 November, " " "	1	4,681	2,795
Central Cumberland	26 " " " "	29 October, " " "	2	2,033	†
Eden	26 " " " "	30 " " " "	1	2,230	1,216
The Glebe	27 " " " "	29 " " " "	1	3,371	1,859
Goulburn	25 " " " "	26 " " " "	1	992	652
The Gwydir	29 " " " "	5 November, " " "	1	3,372	*
Hartley	26 " " " "	1 " " " "	1	1,951	1,230
The Hastings	29 " " " "	3 " " " "	1	3,171	1,093
The Hawkesbury	26 " " " "	30 October, " " "	2	1,380	†
The Hume	29 " " " "	5 November, " " "	1	3,149	484
The Hunter	26 " " " "	30 October, " " "	1	1,485	*
The Lower Hunter	26 " " " "	30 " " " "	1	723	*
The Upper Hunter	29 " " " "	3 November, " " "	1	3,276	1,651
Illawarra	26 " " " "	29 October, " " "	1	1,435	*
Kiama	27 " " " "	29 " " " "	1	1,227	*
The Lachlan	26 " " " "	3 November, " " "	1	4,978	*
Liverpool Plains	29 " " " "	3 " " " "	1	4,549	1,054
East Macquarie	1 November, " " "	5 " " " "	2	2,063	1,286
West Macquarie	26 October, " " "	31 October, " " "	1	1,143	541
East Maitland	30 " " " "	31 " " " "	1	768	534
West Maitland	29 " " " "	31 " " " "	1	1,082	727
Monaro	26 " " " "	2 November, " " "	1	2,389	1,289
Morpeth	27 " " " "	29 October, " " "	1	736	*
Mudgee	29 " " " "	5 November, " " "	1	4,796	2,130
The Murray	29 " " " "	5 " " " "	1	2,561	1,611
The Murrumbidgee	29 " " " "	5 " " " "	1	4,591	1,483
Narellan	26 " " " "	27 October, " " "	1	571	426
The Nepean	26 " " " "	29 " " " "	1	1,154	854
Newcastle	24 " " " "	26 " " " "	1	1,892	1,458
New England... ..	29 " " " "	3 November, " " "	1	2,639	1,299
Newtown	26 " " " "	27 October, " " "	1	3,334	1,310
Northumberland	26 " " " "	29 " " " "	1	4,387	3,189
Orange	24 " " " "	26 " " " "	1	2,433	*
Paddington	23 " " " "	26 " " " "	1	4,411	*
Parramatta	26 " " " "	27 " " " "	2	1,153	988
The Paterson	24 " " " "	27 " " " "	1	556	*
Patrick's Plains	26 " " " "	30 " " " "	1	1,436	758
Queanbeyan	26 " " " "	29 " " " "	1	1,351	910
St. Leonards	27 " " " "	31 " " " "	1	2,511	*
Shoalhaven	27 " " " "	31 " " " "	1	1,557	1,193
East Sydney	22 " " " "	24 " " " "	4	13,218	7,156
West Sydney	23 " " " "	25 " " " "	4	10,097	6,542
Tenterfield	29 " " " "	3 November, " " "	1	4,215	1,614
The Tumut	29 " " " "	5 " " " "	1	2,209	937
Wellington	26 " " " "	2 " " " "	1	2,496	1,512
The Williams... ..	26 " " " "	1 " " " "	1	1,489	1,052
Windsor	31 " " " "	1 " " " "	1	612	453
Wollombi	26 " " " "	2 " " " "	1	1,068	647
Yass Plains	27 " " " "	31 October, " " "	1	1,736	758
Total			69	158,787
Gold Fields South	27 October, 1877...	12 November, 1877 ...	1	† 1,500	*
Gold Fields West	27 " " " "	12 " " " "	1	†	840
Gold Fields North	27 " " " "	12 " " " "	1	† 500	*
University of Sydney	5 November, " " "	6 " " " "	1	158	*
Total			73

* Not contested. † Not stated in Return. ‡ Estimated.

VACCINATION.

No. 169.—RETURN showing the Number of CHILDREN VACCINATED by the several Government Vaccinators in the Colony during the Year 1877, distinguishing those cases brought to a successful issue.

Districts.	Under 1 year of age.				From 1 to 5 years.				From 5 to 10 years.				Total number of cases.			
	Males.	Females.	Total.	Successful.	Males.	Females.	Total.	Successful.	Males.	Females.	Total.	Successful.	Males.	Females.	Total.	Successful.
City and Suburbs of Sydney ...	555	546	1101	1079	1469	1491	2960	2928	597	650	1247	1229	2621	2687	5308	5236
Country Districts—																
Albury	38	44	82	81	51	45	96	96	9	3	12	12	98	92	190	189
Armidale	8	21	29	28	47	52	99	96	14	14	28	28	69	87	156	152
Araluen
Adelong
Bathurst	63	76	139	137	304	349	653	650	133	138	271	271	500	563	1063	1058
Bega	10	12	22	20	54	46	100	94	21	33	54	47	85	91	176	161
Berrima	2	3	5	5	13	8	21	21	11	6	17	17	26	17	43	43
Binalong and Burrowa
Bourke	33	17	50	50	42	51	93	93	60	27	87	87	135	95	230	230
Bombala	19	10	29	29	47	48	95	95	29	26	55	55	95	84	179	179
Braidwood
Camden	24	26	50	50	159	155	314	314	87	94	181	181	270	275	545	545
Carcoar	16	12	28	28	65	41	106	106	54	55	109	109	135	108	243	243
Corowa	7	3	10	10	14	15	29	29	...	5	5	5	21	23	44	44
Dubbo	8	8	16	15	22	24	46	46	7	9	16	16	37	41	78	77
Deniliquin	30	21	51	44	19	9	28	23	1	...	1	1	50	30	80	68
Dungog	19	20	39	39	57	54	111	111	37	28	65	65	113	102	215	215
Forbes
Gulgong
Goulburn	9	22	31	31	110	98	208	208	91	105	196	196	210	225	435	435
Grafton	11	15	26	26	105	60	165	161	87	70	157	156	203	145	348	343
Gundagai	6	7	13	13	40	35	75	75	16	22	38	38	62	64	126	126
Grenfell
Hill End
Inverell
Kempsey West
Kiama	29	23	52	50	180	144	324	307	82	114	196	190	291	281	572	547
Lambton
Liverpool	3	1	4	4	32	17	49	49	47	48	95	95	82	66	148	148
Mudgee	21	18	39	39	23	27	50	50	124	7	131	131	168	52	220	220
Macleay River	11	11	22	22	92	129	221	221	101	100	201	201	204	240	444	444
Molong
Morpeth	11	8	19	19	94	92	186	186	75	90	165	165	180	190	370	370
Maitland East and Paterson	23	31	54	54	176	186	362	362	89	86	175	175	288	303	591	591
Maitland West	23	32	55	55	54	53	107	107	52	60	112	112	129	145	274	274
Muswellbrook	20	13	33	33	75	54	129	129	78	95	173	173	173	162	335	335
Moruya or Broulee	8	11	19	19	60	68	128	128	28	29	57	56	96	108	204	203
Milton	3	3	6	6	17	14	31	31	55	45	100	91	75	62	137	128
Macdonald River
Murrumbidgee	11	8	19	19	38	33	71	71	28	31	59	59	77	72	149	149
Newcastle	22	8	30	30	23	18	41	41	6	2	8	8	51	28	79	79
Narrabri	6	9	15	15	34	38	72	63	21	17	38	35	61	64	125	113
Orange	20	9	29	25	84	76	160	139	63	54	117	105	167	139	306	269
Oberon
Oxley
Parramatta	17	15	32	31	126	134	260	256	241	205	446	434	384	354	738	721
Parke	1	1	2	2	8	3	11	11	1	1	2	2	10	5	15	15
Patrick's Plains	68	64	132	105	144	140	284	245	87	79	166	149	299	283	582	499
Penrith	1	1	1	14	6	20	20	9	11	20	20	23	18	41	41
Port Macquarie
Rockley	134	137	271	265	123	147	270	264	118	136	254	251	375	420	795	780
Raymond Terrace
Richmond
Rocky Mouth	3	13	16	13	8	14	22	21	11	27	38	34
Rylstone	2	6	8	8	2	6	8	8
Singleton
Stroud, Port Stephens	3	6	9	9	31	28	59	59	36	22	58	58	70	56	126	126
Sofala
Tenterfield
Tamworth	24	18	42	41	86	91	177	171	54	79	133	133	164	188	352	345
Tumut
Wagga Wagga	13	16	29	29	33	40	73	73	32	42	74	74	78	98	176	176
Windsor	4	2	6	3	25	24	49	35	21	33	54	45	50	59	109	83
Wollombi	1	...	1	...	7	7	14	14	4	4	8	8	12	11	23	22
Wallsend	2	2	4	4	2	2	4	4	3	...	3	3	7	4	11	11
Wollongong	94	112	206	201	148	172	320	315	40	67	107	107	282	351	633	623
Walcha	7	10	17	15	20	20	40	40	9	10	19	19	36	40	76	74
Wellington	1	4	5	5	14	21	35	29	5	7	12	12	20	32	52	46
Ulladulla
Yass
Young	1	...	1	1	15	18	33	33	14	15	29	29	30	33	63	63
Total Country Districts	884	890	1774	1708	2932	2911	5843	5692	2188	2138	4326	4245	6004	5939	11943	11645
General Total	1439	1436	2875	2787	4401	4402	8803	8620	2785	2788	5573	5474	8623	8626	17251	16881

NOTE.—Returns have not been received from several Districts.

STATISTICS—1877.

METEOROLOGY—continued.

No. 171.—READINGS of EARTH THERMOMETERS at Sydney Observatory for the Year 1877.

In the Ground.	19 feet.				10 feet.				5 feet.				2 feet 6 inches.				1 inch.				Temperature in Ther- mometer Shed.						
	Mean.	Max.	Min.	Range.	Mean.	Max.	Min.	Range.	Mean.	Max.	Min.	Range.	Mean.	Max.	Min.	Range.	Mean.	Max.	Min.	Range.	Mean.	Max.	Min.	Range.	Mean.	Max.	Min.
January	64.0	64.7	63.4	1.3	66.5	67.6	65.4	2.2	68.9	69.9	68.0	1.9	71.2	72.5	69.7	2.8	71.7	75.3	67.0	8.3	72.0	93.8	57.8	36.0			
February	65.0	65.7	63.6	2.1	67.8	68.8	66.8	2.0	70.2	71.5	69.2	2.3	72.6	75.3	69.7	5.6	72.7	77.8	65.5	12.3	72.3	90.0	58.2	31.8			
March	65.9	66.3	65.4	0.9	67.6	68.9	68.0	0.9	70.9	71.7	70.3	1.4	72.3	74.7	71.3	3.4	71.0	78.0	67.4	10.6	69.9	90.9	59.5	31.4			
April	66.1	66.3	65.7	0.6	67.8	68.6	66.3	2.3	69.1	70.5	66.2	4.3	69.2	74.6	60.0	9.6	65.8	70.1	56.3	13.8	64.7	83.7	48.6	35.1			
May	65.4	66.0	64.7	1.3	65.0	66.7	63.4	3.3	63.8	65.8	62.2	3.6	61.9	63.3	58.9	4.4	58.6	61.2	53.2	8.0	59.4	72.3	46.7	25.6			
June	64.2	64.8	63.4	1.4	62.1	63.4	60.8	2.6	60.9	62.1	59.3	2.8	58.4	60.9	56.7	4.2	54.5	61.2	50.2	11.0	54.9	68.9	41.6	27.3			
July	63.0	63.6	62.4	1.2	60.1	61.0	59.0	2.0	58.4	59.2	57.6	1.6	56.5	57.9	55.6	2.3	54.0	57.1	51.1	6.0	54.9	66.1	45.6	20.5			
August	61.9	62.4	61.4	1.0	59.0	59.2	58.8	0.4	58.2	58.8	57.6	1.2	57.4	58.7	55.9	2.8	55.0	58.8	51.0	7.8	56.3	74.3	44.9	29.4			
September	61.4	61.7	61.1	0.6	58.8	61.8	58.8	3.0	58.8	59.3	58.0	1.3	58.6	59.9	56.3	3.6	57.1	62.9	52.9	1.0	58.4	76.1	43.3	32.8			
October	60.7	62.2	61.0	1.2	59.9	61.0	59.1	1.9	60.2	61.8	59.2	2.6	60.8	63.8	57.5	6.3	60.2	68.0	54.9	13.1	62.4	90.8	48.2	41.6			
November	61.8	62.4	60.7	1.7	62.1	63.7	60.8	2.9	63.7	65.0	62.0	3.0	65.9	68.0	63.7	4.3	67.1	71.0	63.8	7.2	68.2	90.6	56.3	34.3			
December	62.7	63.4	62.2	1.2	64.5	65.6	63.6	2.0	66.6	67.9	65.2	2.7	69.1	70.3	67.7	2.6	70.0	74.3	65.2	9.1	71.6	97.4	55.8	41.6			
For the year 1877	63.5	66.3	60.7	5.6	63.4	68.9	58.8	10.1	64.1	71.7	57.6	14.1	64.5	75.3	55.6	19.7	63.1	78.0	50.2	27.8	63.8	97.4	41.6	55.8			
1876	63.8	66.9	61.0	5.9	63.9	69.9	57.9	12.0	64.7	72.3	56.3	16.0	64.9	76.0	52.8	23.2	63.3	80.0	47.2	32.8	63.6	96.9	36.1	60.8			
1875	63.0	65.4	60.4	5.0	63.2	68.6	57.8	10.8	63.9	70.7	56.5	14.2	64.1	74.4	53.7	20.7	62.8	77.3	47.6	29.7	63.4	98.9	40.3	58.6			
1874	62.7	65.4	59.7	5.7	62.7	67.5	56.8	10.7	63.3	69.0	54.9	14.1	63.7	72.6	52.0	20.6	62.7	77.7	46.4	31.3	63.0	96.3	36.9	59.4			
1873	63.0	65.8	60.6	5.2	63.0	68.5	58.0	10.5	63.7	70.5	56.1	14.4	63.9	73.3	53.7	19.6	62.8	76.2	48.6	27.6	63.0	100.1	38.0	62.1			
1872	63.2	65.8	60.4	5.4	63.4	69.8	58.0	11.8	64.0	71.7	56.3	15.4	64.1	75.7	53.7	22.0	62.5	78.7	46.9	31.8	62.6	98.3	36.8	61.5			
1871	62.8	65.1	60.4	4.7	62.8	67.4	58.0	9.4	63.4	69.9	56.7	13.2	63.9	73.7	53.8	19.9	62.7	77.9	48.0	29.9	62.4	103.8	38.7	65.1			
1870	63.2	65.8	60.4	5.4	63.3	68.5	57.9	10.6	63.9	71.9	56.6	15.3	64.2	76.1	54.0	22.1	63.0	81.2	47.9	33.3	62.8	105.2	38.7	66.5			

No. 172.—MEAN Temperature of each Month in the Years 1856 to 1877, inclusive.

AT SYDNEY.

Year.	January.	Feb- ruary.	March.	April.	May.	June.	July.	August.	Sep- tember.	October.	Novem- ber.	Decem- ber.	Means.
1856	69.0	69.6	68.6	64.7	56.1	49.2	46.9	52.6	55.8	62.2	62.9	65.7	60.3
1857	70.2	71.2	68.0	64.1	54.5	53.0	52.2	51.9	55.1	59.7	64.7	68.6	61.1
1858	73.0	69.6	67.6	62.4	57.1	52.2	48.9	50.7	57.0	60.8	66.3	68.6	61.2
1859	70.6	69.8	68.2	63.8	58.5	52.5	50.6	55.3	57.3	65.3	66.4	69.5	62.3
1860	70.6	68.7	70.6	64.8	57.4	53.4	51.8	54.7	57.5	61.3	63.8	67.2	61.8
1861	69.7	71.6	71.5	64.7	56.6	54.6	51.1	52.4	57.6	64.3	64.5	69.0	62.3
1862	70.6	71.7	70.4	62.4	57.7	54.4	52.5	52.3	59.9	62.0	68.1	69.9	62.7
1863	71.9	72.1	69.4	63.8	59.0	55.0	52.6	53.9	57.0	62.3	66.4	67.8	62.6
1864	72.1	69.3	67.7	64.6	58.2	54.1	53.3	54.9	59.2	60.4	64.9	67.0	62.6
1865	69.5	71.1	69.2	66.4	56.5	52.9	51.0	55.0	61.1	64.1	67.7	70.5	62.9
1866	71.4	71.2	68.2	66.8	60.5	56.8	52.9	54.8	59.5	62.8	66.6	68.1	63.3
1867	71.1	70.8	68.5	66.4	61.0	56.2	54.3	54.7	59.3	68.5	69.4	70.9	64.3
1868	70.7	69.5	69.5	64.4	58.6	55.8	53.0	54.0	59.7	66.5	65.5	72.0	63.3
1869	72.9	70.1	71.6	65.1	58.3	55.2	52.3	55.4	56.7	62.0	66.3	70.1	63.0
1870	71.5	72.0	68.1	66.0	58.5	54.0	52.4	53.5	57.9	64.3	67.0	68.5	62.8
1871	69.5	70.7	65.7	63.9	59.5	53.8	53.1	55.7	58.8	60.6	65.7	71.6	62.4
1872	73.2	71.9	68.0	62.1	56.5	55.5	53.1	52.0	58.0	63.1	67.3	70.3	62.6
1873	69.7	70.5	67.9	63.6	60.2	57.8	51.4	56.5	60.1	63.9	62.9	71.3	63.0
1874	71.6	70.2	69.7	66.2	58.9	53.2	51.2	53.5	57.7	65.8	67.5	70.9	63.0
1875	72.7	69.7	69.6	65.0	57.0	55.6	52.5	57.3	57.4	64.5	68.1	70.7	63.3
1876	72.6	71.0	71.9	65.8	60.1	54.1	52.8	54.8	59.2	63.1	67.3	70.0	63.6
1877	72.0	72.3	69.9	64.7	59.4	54.9	54.9	56.3	58.4	62.4	68.2	71.6	63.8
Means	71.2	70.7	69.1	64.6	58.2	54.3	52.0	54.2	58.2	63.2	66.3	69.5	62.6

METEOROLOGY—continued.

No. 173.—ABSTRACT of METEOROLOGICAL OBSERVATIONS, taken at various Stations in the Year 1877.

Stations.	Least distance from East Coast in Miles.	Height above sea in feet.	Mean of Observations taken at 9 A.M., in 1877.								For 24 hours previous to 9 a.m.					Clouds, 0 to 10.	Remarks.
			Barometer.	Temperature in Shade.	Humidity, 0 to 100.	Wind.		Temperature in Shade.		Rain.			Evaporation.				
						Direction.	Force, 0 to 6.	Means.	Extremes.	Total Fall, inches.	No. of Days.	Greatest Fall, inches.		Date.			
Eversleigh (Armidale)	3,465	30°026	55.2	61.8	N.W.	1.5	67.8	42.6	94.4	26.1	11.740	51	1.310	5 December...	3.9	New Station. Observations commenced in July.
Port Macquarie	53	30°081	65.0	75.9	N.E. & S.S.W.	1.8	73.2	56.8	86.6	37.5	43.360	142	2.460	20 March	3.8	
Gundare, Coolah	S.W.	...	68.1	...	99.0	...	16.770	61	1.030	16 December...	...	Total number of days rain for last 9 months of year.
Cassilis	63.2	...	N.W.	0.9	76.2	50.2	105.4	23.4	11.090	57	0.870	16 December...	0.6	
Muswellbrook ...	68	475	...	66.2	...	S.E.	1.0	81.3	51.0	112.7	26.8	13.310	72	1.830	15 July	3.3	
Dubbo ...	182	64.3	...	W.	0.4	76.3	53.0	105.5	34.4	11.590	33	1.370	11 June	2.1	
Melrose ...	290	S.	6.630	20	1.420	19 October	New Station. Observations commenced in August.
Mudgee ...	121	1,500	...	66.0	...	W.	0.9	81.2	50.8	114.4	29.8	16.300	72	2.300	1 May	4.4	Evaporation for February not given.
West Maitland ...	18	98	...	66.3	...	W.	0.8	74.9	55.3	103.2	36.4	22.970	88	4.530	16 July	Do. do.
Newcastle ...	1	112	30°076	64.7	77.3	S.W.	0.4	77.4	52.0	104.9	34.8	34.350	103	4.400	1 May	4.4	
Bathurst ...	96	2,200	29°852	57.6	75.9	W.N.W.	1.1	74.2	41.8	109.3	21.5	17.720	72	1.550	16 March	4.0	
Forbes ...	176	1,120	30°080	62.5	...	W.	0.4	73.8	52.1	110.2	29.2	17.770	40	4.600	1 May	1.9	
Kurradjong ...	36	1,870	...	55.2	...	W.	1.1	61.8	48.5	89.0	34.0	46.770	111	3.130	30 April	4.7	
Gosford ...	7	60.7	...	W.	1.5	69.2	52.1	100.0	39.2	34.434	84	4.042	1 May	4.9	
Sydney ...	5	155	30°168	63.8	74.6	W.	0.7	70.5	56.9	97.4	41.6	59.660	147	4.890	5 October ...	5.5	
Liverpool ...	16	50	30°087	59.5	70.4	48.7	104.0	29.0	39.800	111	4.770	13 June	3.5	
Wentworth ...	476	...	30°208	62.8	66.7	S.W.	1.7	79.8	49.1	110.0	32.1	8.600	55	0.670	March 9 & 24, May 23	4.1	
Cordeaux River ...	6	W.N.W.	...	68.5	...	79.6	...	54.080	109	3.330	16 July	
Young ...	140	59.7	...	Calm	0.4	72.4	46.0	102.7	20.9	20.960	67	2.000	10 June	2.4	
Wollongong (Private)	58	30°147	S.W.	1.5	62.8	...	71.9	...	29.040	57	5.130	16 July	3.5	New Station. Observations commenced in June.
Moss Vale ...	31	2,240	...	57.0	...	W.	1.1	66.7	47.3	95.7	26.8	48.660	84	3.960	30 April	
Clare (Balranald) ...	377	S.	7.920	35	0.810	10 September..	1.5	New Station. Observations commenced in March.
Gundaroo ...	70	1,892	30°096	N.W.	1.6	15.155	81	0.940	10 June	4.5	New Station. Observations commenced in May.
Cape St. George	175	30°065	62.4	68.0	N.W.	1.8	68.4	56.3	96.2	41.6	44.160	103	3.000	30 April	5.7	
Queanbeyan ...	60	59.5	...	S.	0.7	72.6	46.3	102.4	25.6	14.690	60	1.300	27 March	4.8	
Deniliquin ...	287	410	30°163	62.7	66.0	S.W.	0.9	76.5	48.8	108.9	29.5	12.630	56	1.300	26 March	3.3	
Meruya	50	29°978	61.1	...	N.E.	1.1	70.3	51.8	100.6	32.8	33.930	84	6.160	18 March	6.7	
Bodalla ...	7	40	...	59.7	...	S.S.E.	0.9	74.9	44.6	103.4	23.7	73.520	87	3.600	12 May	4.5	
Albury ...	175	572	30°109	61.1	80.0	W.	0.8	76.9	43.6	111.8	25.4	20.850	80	1.150	14 December...	3.3	
Cooma ...	52	2,637	30°124	55.0	71.0	N.W.	1.9	71.3	38.7	99.1	17.8	14.180	75	1.100	20 October ...	5.6	
Eden	107	30°068	60.4	75.0	S.W.	1.6	67.6	53.4	90.0	39.9	30.840	113	4.210	29 December...	5.2	
Weinteriga (Darling River)	7.890	32	1.000	10 September..	...	
Nelyambo do.	13.980	34	2.320	9 June	
Murray Downs	11.950	53	1.920	25 March	
Netley (Darling River)	6.241	20	Rain not measured daily, but after the rain had cleared off.
Kilferia via Ivanhoe	12.320	44	1.500	10 March	
North Abbotsford	11.230	45	0.910	11 March	
Groongal, near Hay	12.890	49	1.180	10 January	
Thelangerin East	13.690	40	1.640	11 September	
Yancamina	17.970	23	5.780	28 February	
Till Till (Balranald)	8.820	38	0.870	11 January	
Mossgiel	12.220	54	1.000	9 June	
Coomong	13.055	38	1.450	11 September	
South Thononga	10.520	37	1.050	8 June	
Burrabogie	9.230	29	0.850	11 September	
Merool Creek	14.250	No rainfall given for January or February.
Gingie, near Walgett	16.700	
Teridgerie	10.635	55	

LAND SALES.

No. 175.—RETURN of LANDS Sold in the Colony of New South Wales, otherwise than conditionally, during the Year ending 31st December, 1877.

Counties.	Lots.				Area.				Total Price.	Deposits forfeited.
	Town.	Suburban.	Country.	Total.	Town.	Suburban.	Country.	Total.		
SETTLED DISTRICTS.										
	No.	No.	No.	No.	a. r. p.	a. r. p.	a. r. p.	a. r. p.	£ s. d.	£ s. d.
Argyle	20	10	30	5 3 24	510 3 20	516 3 4	647 8 2
Bathurst	81	81	2,622 0 9	2,622 0 9	3,666 8 8
Bligh	36	36	3,698 2 0	3,698 2 0	3,833 10 0
Brisbane	1	3	50	54	0 1 24	1 2 0	3,616 0 0	3,617 3 24	3,653 14 0	30 0 0
Camden	17	17	988 1 0	988 1 0	997 2 6
Cook	5	54	59	3 0 38	2,665 0 23	2,668 1 21	2,783 2 0
Cumberland	112	112	5,616 2 33	5,616 2 33	7,387 17 4
Durham	5	196	201	2 2 0	16,971 0 4	16,973 2 4	16,991 0 6
Georgiana	25	25	636 2 18	636 2 18	806 12 5
Gloucester... ..	10	17	27	5 0 0	1,632 1 0	1,637 1 0	2,018 14 3
Hunter	23	23	689 2 34	689 2 34	812 13 6
King	31	3	32	66	9 2 22	35 2 35	1,643 2 0	1,688 3 17	1,972 8 8	2 5 0
Macquarie	20	20	620 2 38	620 2 38	620 14 7
Murray	2	30	32	7 2 24	1,625 3 0	1,633 1 24	1,669 19 0	191 5 0
Northumberland	6	1	18	25	3 1 22	3 2 0	1,242 0 0	1,248 3 22	1,316 5 9
Phillip	18	19	50	87	5 2 37½	39 2 13	3,742 1 2	3,787 2 12½	3,950 9 8	8 11 11
Roxburgh	20	33	53	36 2 32½	1,630 2 25	1,667 1 17½	1,689 15 7	3 4 9
St. Vincent	37	39	32	108	17 3 32½	63 0 9½	1,444 3 30	1,525 3 31½	1,831 6 9	1 12 0
Wellington	8	42	32	82	1 3 39½	60 1 10½	964 2 13½	1,026 3 23½	4,942 0 1	9 4 1
Westmoreland	1	26	27	0 2 0	822 3 0	823 1 0	830 19 0
TOTAL, SETTLED DISTRICTS	132	129	904	1,165	56 0 39	248 0 4½	53,384 1 9½	53,688 2 13	62,422 2 5	246 2 9

LAND SALES—continued.

No. 175 (continued).—RETURN of LANDS SOLD in the Colony of New South Wales, otherwise than Conditionally, &c.—continued.

Districts.	Counties.	Lots.				Area.				Total Price.	Deposits Forfeited.
		Town.	Suburban.	Country.	Total.	Town.	Suburban.	Country.	Total.		
PASTORAL DISTRICTS.											
Albert	Ranken	No.	No.	No.	No.	a. r. p.	a. r. p.	a. r. p.	a. r. p.	£ s. d.	£ s. d.
Albert and Warrego	Landsborough	2	2	160 0 0	160 0 0	160 0 0
Bligh	Ewenmar	1	1	40 0 0	40 0 0	682 0 0
	Gowen	59	59	16,320 3 0	16,320 3 0	16,320 15 0	37 10 0
	Leichhardt	18	45	45	4,669 3 0	4,669 3 0	4,749 15 0
	Lincoln	2	25	43	9 2 23	5,270 0 0	5,270 2 23	5,318 15 0
	Napier	56	58	37 1 38	6,077 1 0	6,114 2 38	6,317 0 9	0 11 6
Bligh and Wellington... ..	Gregory	56	56	4,654 0 0	4,654 0 0	4,674 0 0
Clarence	Buller	88	88	24,762 2 0	24,762 2 0	24,762 10 0
	Clarence	31	8	10	10	937 2 0	937 2 0	937 10 0
	Richmond	2	15	29	68	19 0 0	11 2 7	1,668 0 0	1,698 2 7	1,958 16 9
	Rous	34	20	79	96	1 1 4	17 3 9	7,990 3 0	8,009 3 13	8,221 16 3	46 11 3
Clarence and Macleay	Fitzroy	99	153	36 3 31½	67 0 22	9,980 3 28	10,085 0 1½	11,369 7 7	57 15 10
Clarence and New England	Clive	6	6	318 0 0	318 0 0	318 0 0
	Drake	1	7	7	423 0 0	423 0 0	423 0 0
	Gresham	12	151	152	1 1 0	9,222 0 0	9,223 1 0	9,643 15 0
Darling	Caira	14	26	5 3 38	723 0 0	728 3 38	816 4 0
	Wentworth	195	195	49,020 1 21	49,020 1 21	49,627 11 8
	Windeyer	20	20	2,926 3 0	2,926 3 0	2,926 15 0
Gwydir	Benarba	22	22	5,801 3 0	5,801 3 0	5,801 15 0
	Burnett	32	20	20	2,065 0 0	2,065 0 0	2,065 0 0
	Courallie	27	21	89	121	15 1 20	16,319 0 0	16,334 1 20	16,695 6 8	5 12 6
	Murchison	10	6	199	247	19 2 0	58 0 32	19,326 0 0	19,403 2 32	19,934 12 10
	Stapylton	148	164	3 0 26	7 3 24	15,799 2 0	15,810 2 10	16,055 15 0
Gwydir and New England	Arrawatta	98	98	15,191 0 0	15,191 0 0	15,191 0 0
Lachlan... ..	Bland	45	103	103	14,920 0 0	14,920 0 0	15,942 10 0
	Bourke	152	197	23 1 22½	19,821 1 0	19,844 2 22½	19,982 7 3
	Clarendon	7	11	37	37	5,698 1 0¼	5,698 1 0¼	5,699 5 0
	Cooper	230	248	4 2 11	21 1 9	25,289 1 7	25,315 0 27	25,685 0 0	4 0 0
	Dowling	400	400	130,046 1 0	130,046 1 0	130,115 13 0
	Forbes	10	23	23	7,061 3 0	7,061 3 0	7,141 15 0
	Franklin	34	44	20 0 0	3,075 3 0	3,095 3 0	3,677 12 0	2 12 0
	Gipps	141	141	36,087 1 0	36,087 1 0	36,087 5 0
	Harden	14	38	255	255	49,444 2 0	49,444 2 0	49,554 10 0
	Monteagle	130	170	47	99	7 0 7	244 2 22	3,056 1 38	3,308 0 27	4,060 18 5	0 10 0
	Nicholson	38	338	53 3 0½	260 3 18	2,920 3 0	3,235 1 18½	5,161 1 11	31 13 3
	Sturt	284	284	69,920 0 0	69,920 0 0	69,963 0 0
	Waljeers	494	494	156,434 1 0	156,434 1 0	157,560 4 6
Lachlan and Murrumbidgee	Waradgery	17	180	180	39,952 1 0	39,952 1 0	39,952 5 0
Liverpool Plains	Baradine	83	280	297	17 0 0	71,904 0 0	71,921 0 0	72,290 17 6	18 3 9
	Buckland	8	91	247 3 9	748 0 0	995 3 9	1,756 12 5	30 0 0
	Darling	9	2	98	99	0 1 35	16,468 0 4	16,468 1 39	16,707 3 8	43 10 0
	Denham	35	46	4 2 9½	18 3 28	4,609 0 0	4,632 1 37½	4,696 6 8	46 0 0
	Jamieson	12	12	1,670 0 0	1,670 0 0	1,670 0 0
	Nandewar	150	150	12,837 0 0	12,837 0 0	12,837 0 0
	Parry	114	64	178	31 3 0	6,157 0 32	6,188 3 32	8,116 2 2
		2	26	28	3 0 19	5,937 3 0	5,940 3 19	5,962 14 0

LAND SALES—continued.

No. 175—(continued)—RETURN of LANDS SOLD, otherwise than conditionally, &c.— continued.

Districts.	Counties.	Lots.				Area.				Total Price.	Deposits Forfeited.
		Town.	Suburban.	Country.	Total.	Town.	Suburban.	Country.	Total.		
Liverpool Plains—continued ...	Pottinger ...	No. 37	No. 3	No. 252	No. 292	a. r. p. 22 2 0	a. r. p. 1 2 0	a. r. p. 29,953 1 20	a. r. p. 29,977 1 20	£ s. d. 30,156 13 9	£ s. d. 71 5 0
	White ...	27	6	4	37	15 3 16	3 1 2 0	169 0 0	216 1 16	315 17 0
Liverpool Plains and New England...	Inglis... ..	16	6	32	54	8 0 0	15 3 22	2,007 0 15	2,030 3 37	2,191 10 11	10 0 0
Macleay	Dudley	7	7	424 1 0	424 1 0	424 5 0
	Raleigh	4	4	1 3 20	1 3 20	15 0 0	39 13 9
Monaro	Auckland	31	20	51	20 2 30	1,669 2 26	1,690 1 16	1,987 3 9
	Beresford	19	1	49	69	9 3 28	0 2 2	3,957 1 0	3,967 2 30	4,623 5 1
	Cowley	1	1	40 0 0	40 0 0	40 0 0
	Dampier	5	7	8	20	2 2 0	65 2 2	236 0 0	304 0 2	438 8 2	20 0 0
	Wallace	2	25	27	0 0 26½	2,103 0 0	2,103 0 26½	2,260 6 3
	Wellesley	12	76	88	9 0 0	3,580 3 27	3,589 3 27	3,765 8 5
Murrumbidgee	Boyd	1	604	605	0 1 0	161,121 1 1	161,121 2 1	161,160 15 3	255 15 0
	Buceleuch	17	17	805 0 39	805 0 39	877 9 9
	Cadell	29	118	147	16 0 0	26,376 2 0	26,392 2 0	26,981 6 7	8 17 0
	Denison	186	186	53,266 2 32	53,266 2 32	54,353 8 0
	Goulburn	17	1	75	93	8 2 0	2 0 0	9,799 3 5	9,810 1 5	10,087 16 4	112 3 0
	Hume	22	215	237	11 2 2	43,068 1 31	43,079 3 33	45,601 0 2
	Mitchell	158	158	29,381 3 0	29,381 3 0	29,987 6 0
	Selwyn	1	11	32	44	0 2 0	19 1 3	3,857 1 0	3,877 0 3	4,353 11 3	5 12 0
	Townsend	15	942	957	21 0 0	264,903 3 39	264,984 3 39	269,372 18 0	182 5 0
	Urana	29	1,038	1,067	14 2 0	265,152 3 0	265,167 1 0	269,388 9 5	354 2 9
	Wakool	57	526	583	15 3 0	162,808 3 0	162,824 2 0	166,542 17 6	2,138 15 6
	Wynyard	28	47	40	115	11 0 7	84 3 37	3,456 2 0	3,552 2 4	3,940 17 9	1 7 0
New England	Clarke	7	7	480 3 22	480 3 22	480 17 9
	Gough	176	176	9,204 1 11	9,204 1 11	9,294 4 1	22 10 0
	Hardinge	42	42	4,589 3 0	4,589 3 0	5,220 16 0
	Hawes	52	52	2,277 1 0	2,277 1 0	2,277 5 0
	Sandon	1	245	246	1 1 21	29,707 1 22	29,708 3 3	29,841 13 7	5 0 0
New England and Macleay	Vernon	160	160	16,950 0 6	16,950 0 6	16,988 7 9
Warrego	Cowper	1	1	24 3 0	24 3 0	24 15 0
	Finch...	3	3	500 0 0	500 0 0	500 0 0
Wellington	Ashburnham... ..	97	10	26	133	59 2 36¼	16 2 37	2,233 2 0	2,309 3 33¼	3,292 11 9	40 4 0
	Clyde... ..	24	1	25	7 0 24	50 0 24	57 0 24	666 2 6	5 7 6
	Cunningham...	268	268	49,828 3 0	49,828 3 0	49,862 17 6	20 0 0
	Gordon	2	2	81 0 0	81 0 0	81 0 0
	Kennedy	18	18	2,307 2 0	2,307 2 0	2,360 12 0
	Narromine	10	10	1,947 1 0	1,947 1 0	1,947 5 0
	Oxley	13	13	3,080 3 0	3,080 3 0	3,080 15 0
	Unnamed	3	3	124 0 0	124 0 0	124 0 0
TOTAL, PASTORAL DISTRICTS		962	496	10,061	11,519	492 2 2¼	1,274 2 17	2,095,303 1 26¼	2,097,070 2 6	2,134,500 2 3	3,617 7 7
TOTAL, SETTLED DISTRICTS		132	129	904	1,165	56 0 39	248 0 4¼	53,384 1 9¼	53,688 2 13	62,422 2 5	246 2 9
GENERAL TOTAL		1,094	625	10,965	12,684	548 3 1¼	1,522 2 2¼	2,148,687 2 36½	2,150,759 0 19	2,196,922 4 8	3,863 10 4

NOTE.—The difference in the area and value of land in this return, compared with the return on page 306, is caused by "the whole of the lands alienated not having been kept in counties."

STATISTICS—1877.

301

LAND SALES—continued.

No. 176—DECENNIAL RETURN of Lands Sold otherwise than conditionally.

Year.	Extent of Land Sold.				Total Price.	Total Amount actually received in the Year, inclusive of Conditional Purchases and Interest on same, &c.
	Town Lots.	Suburban Lots.	Country Lots.	Total.		
	a. r. p.	a. r. p.	a. r. p.	a. r. p.	£ s. d.	£ s. d.
1868	265 2 9	976 2 20	148,703 0 24½	149,945 1 13½	160,978 9 11	265,249 12 11
1869	366 3 29¼	1,414 3 4	163,108 2 9¼	164,890 1 2½	182,630 17 8	319,612 17 8
1870	338 2 21½	927 0 4	93,107 2 28¾	94,373 2 14¼	112,814 18 11	250,842 16 4
1871	379 2 15½	802 2 3	87,455 1 32	88,637 2 10½	99,959 0 0	261,401 1 3
1872	350 0 22¾	967 0 17¼	165,516 2 1¼	166,833 3 1¼	177,062 0 6	432,373 0 9
1873	487 2 14¾	1,834 3 6¾	386,877 3 15¾	389,200 0 37¼	409,337 12 5	845,410 8 1
1874	621 2 22½	2,089 2 35¾	700,046 2 33¾	702,758 0 0	735,766 12 0	*1,111,040 19 2
1875	490 2 31½	3,415 0 24½	1,131,368 0 13	1,135,273 3 29	1,171,937 16 3	†1,760,570 9 7
1876	691 0 0½	4,358 2 10½	1,868,009 3 11¾	1,873,059 1 22¾	1,971,292 8 3	2,513,403 13 0
1877	548 3 1¼	1,522 2 21¼	2,148,687 2 36½	2,150,759 0 19	2,196,922 4 8	2,967,857 2 1

* This amount is exclusive of refunds to the amount of £52,531 2s. 4d.
† Do. do. do. £57,038 7s. 1d.

CONDITIONAL PURCHASES.

No. 177.—RETURN showing the number of Acres sold conditionally in each of the Years 1862 to 1877 inclusive; together with the amount realized for deposit, for balance of purchase money, for interest, and the gross amount realized in each Year.

Year.	Sold Conditionally.		Amount Realized.			Gross Amount realized.
	Number of Selections.	Area.	For Deposit.	For Balance of Purchase Money.	For Interest.	
		a. r. p.	£ s. d.	£ s. d.	£ s. d.	£ s. d.
1862	4,493	357,280 2 21	89,320 3 3	89,320 3 3
1863	3,558	259,369 3 35	64,842 10 0	64,842 10 0
1864	2,350	165,616 3 0	41,404 3 9	41,404 3 9
1865	2,166	151,450 0 0	37,862 10 0	34,393 17 1	6,548 11 7	78,804 18 8
1866	4,239	358,652 0 0	89,663 0 0	22,994 6 6	12,456 10 9	125,113 17 3
1867	2,995	232,176 0 0	58,044 0 0	13,332 19 0	15,002 10 0	86,429 9 0
1868	3,194	239,516 2 0	59,879 4 6	10,601 17 5	18,129 10 4	88,610 12 3
1869	4,999	397,328 2 26	99,332 3 3¾	19,525 16 6	24,360 8 7	143,218 8 4¾
1870	4,471	329,318 1 2	82,329 11 4	18,348 3 2	30,057 19 7	130,735 14 1
1871	4,751	358,682 2 8	89,670 11 0	17,396 11 5	38,001 13 9	145,068 16 2
1872	8,281	749,586 3 0	187,396 11 6	24,692 8 1	45,676 3 5	257,765 3 0
1873	13,417	1,391,719 0 0	347,930 0 0	38,354 0 4	54,402 3 3	440,686 3 7
1874	14,510	1,586,282 0 0	396,570 10 0	43,642 14 6	63,344 8 1	503,557 12 7
1875	14,517	1,756,678 0 0	439,169 11 1	58,647 2 10	75,918 14 10	573,735 8 9
1876	12,654	1,984,212 0 0	496,053 8 2	68,834 1 5	99,328 14 8	664,216 4 3
1877	12,009	1,699,816 0 0	424,954 0 0	71,852 15 6	126,657 8 9	623,464 4 3
Total ...	112,604	12,017,685 0 12	3,004,421 17 10¾	442,666 13 9	609,884 17 7	4,056,973 9 2¾

LANDS GRANTED.

No. 178.—RETURN of LANDS set apart for PUBLIC PURPOSES in the Year 1877.

Place.	County.	No. of Grants under 100 Acres.		No. of Grants over 100 acres.	
		No.	Area.	No.	Area.
Armidale	Sandon	I	a. r. p. 7 2 24
Bathurst	Bathurst	I	9 3 24
Do.	do.	I	9 3 17
Do.	do.	I	8 1 37
Do.	do.	I	9 3 28
Do.	do.	I	5 0 1
Do.	do.	I	2 0 7
Do.	do.	I	1 2 5
Do.	do.	I	8 2 39
Ball's Head Bay	Cumberland	I	8 2 39
Bell's Creek	St. Vincent	I	2 0 0
Bendella	Camden	I	2 0 0
Binalong	Harden	I	1 2 0
Binda	Forbes	I	1 2 0
Booligal	Nicholson	I	1 2 0
Do.	do.	I	2 0 0
Bourke	Cowper	I	0 2 0
Do.	do.	I	1 2 0
Bullock Island	Northumberland	I	0 3 0
Do.	do.	I	0 3 0
Burns' Bay	Cumberland	I	1 0 0
Casino	Richmond	I	2 0 0
Cessnock	Northumberland	I	3 2 32
Collector	Argyle	I	1 2 0
Condobolin	Gipps	I	386
Cudal	Ashburnham	I	1 2 0
Deniliquin	Townsend	I	321
Dungowan	Parry	I	1 2 0
Elsmore	Gough	I	4 0 0
Emu	Cook	I	2 0 0
Eurongilly	Clarendon	I	1 2 0
Forbes	Ashburnham	I	0 1 0
Gundy	Brisbane	I	3 3 0 $\frac{1}{4}$
Hargraves	Wellington	I	6 0 0
Howlong	Hume	I	1 2 0
Ironbarks	Wellington	I	1 2 0
Jacob and Joseph Creek	Buckland	I	2 0 0
Kangaroo River	Camden	I	2 0 3 $\frac{1}{2}$
Macquarie Plains	Roxburgh	I	3 3 20
Mandagery	Ashburnham	I	2 0 0
Manton's Creek	King	I	2 0 0
Maryland	Buller	I	1 2 0
Merinda	Wellington	I	2 0 0
Micketymulgo	Lincoln	I	2 0 0
Molonglo	Murray	I	0 2 0
Morebringer	Hume	I	2 0 0
Morven	do.	I	2 0 0
Mudgee	Wellington	I	2 0 0
Murwillumba	Rous	I	1 2 0
Nowra	St. Vincent	I	0 2 0
Off Flats	Westmoreland	I	2 0 0
Onybigambah	Northumberland	I	0 0 24 $\frac{1}{2}$
Ponto	Gordon	I	1 2 0
Quat Quatta	Hume	I	1 2 0
Robertson	Camden	I	1 2 0
Round Swamp	Roxburgh	I	2 0 0
Springfield	Bathurst	I	4 0 0
Tanga	Dampier	I	1 2 0
Toogong	Ashburnham	I	7 2 0
Tooleybuc	Wakool	I	8 3 38
Uarbry	Bligh	I	7 2 0
Do.	do.	I	2 0 0
Upper Pyramul	Wellington	I	1 2 0
Urabalong	Darling	I	2 0 0
Wagga Wagga	Wynyard	I	8 3 8
Do.	do.	I	55 0 0
Wandellon	Dampier	I	1 2 0
Wardell	Rous	I	7 2 0
Warrie	Lincoln	I	2 1 0
Wilcannia	Young	I	1 2 0
Winduella	King	I	2 0 0
Wolgan Valley	Cook	I	7 2 0
Wollongong	Camden	I	0 2 0
Woolamein	Parry	I	2 0 0
Woomargama	Goulburn	I	1 2 0
Yarraman	Brisbane	I	3 3 0
Glen Innes	Gough	I	24 0 0
Morcee	Courallie	I	5 0 0
Bega	Auckland	I	200

No. 178.—(continued)—RETURN of LANDS set apart for PUBLIC PURPOSES in the Year 1877—continued.

Place.	County.	No. of Grants under 100 acres.		No. of Grants over 100 acres.	
		No.	Area.	No.	Area.
Bargo	Camden	1	a. r. p.		acres
Bowenfells	Cook	1	2 0 0		
Brewarrina	Clyde	1	0 0 24		
Broke	Northumberland	1	0 2 0		
Brundah	Monteagle	1	2 0 0		
Concord	Cumberland	1	1 2 0		
Do.	do.	1	33 0 0		
Coonamble	Leichhardt	1	6 0 36		
Cootamundry	Harden	1	1 2 0		
Currawang	do.	1	1 0 0		
Darlington	do.	1	2 0 0		
Deniliquin	Cumberland	1	0 1 6		
Dungowan	Townsend			1	1,000
Glen Innes	Parry	1	7 2 0		
Ilford	Gough	1	10 0 0		
Nangas	Roxburgh	1	5 0 4		
Parramatta	Clarendon	1	1 2 0		
Tamworth	Cumberland	1	0 0 9½		
The Springs	Inglis	1	1 2 0		
Tari	Buckland	1	2 0 0		
Forbes	Parry	1	1 2 0		
Orange	Ashburnham	1	56 3 39		
Binalong	Wellington	1	50 0 0		
Canonba	Harden	1	1 2 0		
Do.	Gregory	1	1 0 0		
Coorabung	do.	1	2 0 0		
Kinchela	Northumberland				
Mandolong	Macquarie	1	0 3 37		
Do.	Northumberland	1	2 0 0		
Mongarlowe	do.	1	1 2 0		
Mudgee	St. Vincent	1	33 2 0		
Murrumboola	Wellington	1	0 1 30		
Spring Grove	Harden			1	110 1
Woodburn	Bathurst	1	0 0 10		
Adelong	Richmond	1	1 2 0		
Bryan's Gap	Wynyard	1	1 0 0		
Bulla Delah	Clive	1	2 0 0		
Cathcart	Gloucester	1	2 0 0		
Clybacca	Wellesley	1	1 2 0		
Duke's Springs	Dudley	1	1 0 0		
Ginnindera	Wellesley	1	2 0 0		
Jindalee	Murray	1	1 2 0		
Kangyangy	Harden	1	2 0 0		
Lawrence	Northumberland	1	2 0 0		
Moree	Clarence	1	1 2 0		
Mount Victoria	Courallie	1	1 2 0		
Mutton's Falls	Cook	1	1 2 0		
Nimmitabel	Westmoreland	1	3 0 20		
Springfield	Wellesley	1	1 2 0		
Wilcannia	Pottinger	1	1 2 0		
Paddington	Young	1	1 2 0		
Cudgel Creek	Cumberland	1	12 0 0		
Downside	Monteagle	1	1 2 0		
Forbes	Clarendon	1	2 0 0		
Mulwala	Ashburnham	1	0 0 38		
Runnymede	Denison	1	7 2 0		
Yass	St. Vincent	1	2 0 0		
Bathurst	King	1	37 2 0		
Deniliquin	Bathurst	1	12 2 35		
Bayley	Townsend	1	5 1 8		
Candelo	Phillip	1	1 2 0		
Coonabarabran	Auckland	1	7 2 0		
Forster	Gowan	1	0 2 0		
Kangaloon	Gloucester	1	1 0 4		
Murrumboola	Camden	1	3 1 29½		
Wombat	Harden	1	2 0 0		
Ashford	do.	1	7 2 0		
Barton	Arrawatta	1	7 2 0		
Berebangalo Creek	Ashburnham	1	1 2 0		
Brocklehurst	King	1	2 0 0		
Brucevale	Lincoln	1	1 2 0		
Canowindra	Clarendon	1	2 0 0		
Euroyharungha	Ashburnham	1	1 2 0		
Frogmore	Clarendon	1	2 0 0		
Garryowen	King	1	2 0 0		
Merrigalah	Goulburn	1	1 2 0		
Murrumboola	Pottinger	1	5 0 0		
Nangas	Harden	1	2 0 0		
Sydney	Clarendon	1	2 0 0		
Timberbangi	Cumberland	1	0 0 6		
Wallandbeen	Narramine	1	2 0 0		
Wallandbeen	Harden	1	1 2 0		
Wallandbeen	do.	1	1 2 0		

No. 178—(continued)—RETURN of LANDS set apart for PUBLIC PURPOSES in the Year 1877—continued.

Place.	County.	No. of Grants under 100 acres.		No. of Grants over 100 acres.	
		No.	Area.	No.	Area.
Wirambi	Camden	1	2 0 0
Woodhouse's	Argyle	1	2 0 0
Young	Monteagle	1	1 2 0
Bulli Mountain	Cumberland	1	2 0 0
Burgundy	Arwatta	1	1 2 0
Cargo	Ashburnham	1	2 0 0
Condoblin	Cunningham	1	7 2 0
Conjola	St. Vincent	1	2 0 0
Coolac	Harden	1	1 2 0
Currabubula	Buckland	1	1 2 0
Kangaloon	Camden	1	1 2 0
Killawarra	Macquarie	1	2 0 0
Lauriston	do	1	2 0 0
Mitten's Creek	Monteagle	1	2 0 0
Moree	Courallie	1	84 0 15
Morumbateman	Murray	1	1 2 0
Do.	do	1	1 2 0
Narrabri	Nandewar	1	1 2 0
Owen's Gap	Brisbane	1	2 0 0
Port Macquarie	Macquarie	1	1 0 0
Pyramul	Wellington	1	1 0 36½
Randwick	Cumberland	1	1 2 24
Rydal	Cook	1	1 2 0
Sandy Creek	Hardinge	1	2 0 1
Toogong	Ashburnham	1	2 0 0
Wingham	Macquarie	1	2 0 0
Armidale	Sandon	1	10 0 0
Walcha	Vernon	1	9 2 30
Boorowa	Monteagle	1	18 0 0
Tamworth	Inglis	1	3 0 0
	Total	185	881 1 18½	5	2,017 1 0

LANDS ALIENATED AND UNALIENATED.

No. 179.—RETURN showing the areas ALIENATED and UNALIENATED in each of the following Counties, which comprise the Old Settled Districts of New South Wales, now First Class Settled Districts, on the 31st December, 1877.

Counties.	Area Alienated.	Area Unalienated.
	Acres.	Acres.
Argyle	416,830	832,650
Bathurst	496,048	694,352
Bligh	252,932	823,278
Brisbane	435,761	332,531
Camden	429,585	973,348
Cook	157,733	907,867
Cumberland	493,522	421,358
Durham	871,083	483,797
Georgiana	426,014	805,986
Gloucester	736,227	639,153
Hunter	83,295	1,232,645
King	159,053	980,787
Macquarie	173,912	1,234,088
Murray	398,679	1,040,041
Northumberland	478,362	1,020,528
Phillip	128,212	907,308
Roxburgh	190,459	784,301
St. Vincent	345,681	1,387,179
Wellington	228,579	851,252
Westmoreland	107,399	912,481
Total	7,009,366	17,261,930

STATISTICS—1877.

305

LANDS ALIENATED AND UNALIENATED—*continued.*

No. 180.—RETURN showing the areas ALIENATED and UNALIENATED in each County in the remaining portion of New South Wales, on 31st December, 1877.

Counties.	Area Alienated.	Area Unalienated.	Counties.	Area Alienated.	Area Unalienated.
	Acres.	Acres.		Acres.	Acres.
Arrawatta	60,134	1,171,866	Harden	91,182	1,013,765
Ashburnham	43,083	1,348,917	Hardinge	29,184	914,816
Auckland	63,643	1,197,157	Hawes	11,537	924,143
Baradine	4,676	1,323,329	Hume	236,190	707,810
Benárba	9,405	1,590,595	Inglis... ..	34,996	524,984
Beresford	42,075	869,925	Jamieson	36,895	938,905
Bland	39,787	1,320,213	Kennedy	2,666	954,134
Blaxland	882	Landsborough	40
Boyd	404,112	475,918	Leichhardt	12,935	1,967,065
Buckland	362,321	693,589	Lincoln	33,817	1,172,523
Buceleuch	25,525	721,093	Livingstone	1,212	2,388,788
Bourke	50,436	Menindie	1,385
Buller	5,376	890,623	Mitchell	96,280	695,390
Burnett	84,221	939,779	Monteagle	34,080	822,890
Cadell	146,505	328,965	Murchison	35,555	1,180,555
Caira	102,838	Nandewar	70,516	708,016
Clarke	3,890	434,510	Napier	51,624	841,176
Clarence	38,382	837,218	Narran	120
Clarendon	130,182	807,218	Narromine	7,988	1,055,712
Clive	15,496	640,504	Nicholson	72,939
Courallie	109,922	1,180,978	Oxley	7,553	1,192,603
Cooper	281,455	Parry... ..	361,211	510,152
Cowley	16,939	783,061	Perry... ..	411
Cowper	1,213	2,398,787	Pottinger	314,925	1,221,073
Clyde... ..	441	1,899,575	Raleigh	295	1,194,800
Culgoa	40	Ranken	520
Cunningham... ..	53,361	868,239	Richmond	21,513	712,487
Dampier	23,699	990,361	Rous	68,199	1,109,401
Darling	47,826	879,574	Robinson	9
Denham	7,559	1,289,056	Sandon	133,176	705,634
Denison	213,649	512,751	Selwyn	21,275	1,090,729
Dowling	10,314	Stapylton	77,180	1,293,322
Drake	41,407	710,588	Sturt	467,565
Dudley	16,035	960,965	Taila	440	1,423,572
Ewenmar	25,693	Tara	365	1,234,835
Ewenna	1,184,000	Townsend	776,378	1,773,722
Finch... ..	515	Urana	767,936	791,806
Fitzroy	6,762	720,938	Vernon	67,968	710,032
Forbes	21,316	Wallace	38,680	1,300,720
Flinders	2,000,000	Waljeers	60,962
Franklin	37,570	Wakool	421,253	1,355,347
Gipps... ..	96,916	1,325,164	Waradgery	305,228	1,309,572
Gough	102,669	930,938	Wellesley	95,963	820,531
Goulburn	112,224	687,885	Wentworth	5,264	2,106,336
Gordon	24,535	711,365	White	4,142	1,179,458
Gowen	25,438	982,562	Windeyer	6,155	2,720,245
Gregory	33,907	166,193	Wynyard	65,399	68,599
Gresham	5,395	876,305	Yanda	252
Gundabooka... ..	101	Young	1,187
			Unnamed	263

NOTE.—Exclusive of Lands Conditionally Purchased.

REVENUE FROM LANDS AND GOLD FIELDS.

No. 181.—RETURN showing the REVENUE from LANDS and GOLD FIELDS in the Colony of New South Wales for the Year ended 31st December, 1877, under the Lands Alienation Act of 1861.

Description.	No. of Lots.	Area Sold.			Average price per acre.			Total Amount of Sales.			Amount received.			Balance remaining unpaid.			
		a.	r.	p.	£	s.	d.	£	s.	d.	£	s.	d.	£	s.	d.	
Sold at Auction	Town ...	898	480	2	8½	27	6	9¾	13,138	19	0	1,611,543	14	10	244,205	9	1
	Suburban ...	189	902	2	38	4	13	3¾	4,152	18	8						
	Country ...	8,380	1,829,612	3	26	1	0	1¼	1,838,457	6	3						
Unconditionally sold by selection	1,364	158,843	3	10	1	1	0½	167,129	10	8	167,129	10	8				
Improved lots sold to owners of improvements...	1,908	159,848	2	32½	1	1	6½	172,138	0	8	172,138	0	8				
Reclaimed lands sold at appraised price	1	0	0	14½	275	17	3	25	0	0	25	0	0				
Proceeds of sales of unnecessary roads	1	1	1	6	5	0	0	6	8	9	6	8	9				
Specially sold at appraised price	1	0	0	2½	5,120	0	0	80	0	0	80	0	0				
Sold conditionally	12,009	1,699,816	0	0	1	0	0	1,699,816	0	0	424,954	0	0	1,274,862	0	0	
Provisional pre-emptive rights	367	81,192	3	0	1	0	0	81,192	15	0	81,192	15	0				
GENERAL TOTAL	25,118	3,930,698	3	18				3,976,136	19	0	2,457,069	9	11	1,519,067	9	1	
Balances received on Conditional Purchases											71,852	15	6				
Interest " " "											126,657	8	9				
TOTAL AMOUNT RECEIVED											£	2,655,579	14	3			

UNDER THE "CROWN LANDS OCCUPATION ACT OF 1861."			
Number.		Estimated area.	Rent and Assessment received.
4,279	Pastoral Leases in Second Class Districts	218,314	£ 176,356 0 0
18,307	Annual Leases	22,946	47,762 12 11
22,586	TOTAL	241,260	224,118 12 11

UNDER THE GOLD FIELDS ACT.			
Duty on Gold in the nature of rent			£ 7,458 2 1
Leases for Mining purposes other than Gold			5,562 19 9
Auriferous Leases			2,001 0 0
Miners' Rights			2,806 15 7
Business Licenses			449 10 0
Mineral Licenses			390 10 0
Fees for Escort and conveyance of Gold, &c.			1,889 6 7
TOTAL			£ 20,558 4 0

MISCELLANEOUS.			
Forfeited Deposits			£ 3,867 5 8
Licenses to cut Timber			4,330 7 4
Quit Rents			248 18 10
Fees on Transfers			1,231 10 0
Fees on Deeds			14,369 7 0
Sundry Collections			7,231 13 11
TOTAL			£ 31,279 2 9

RECAPITULATION.			
Total Receipts ...	Under Lands Alienation Act		£ 2,655,579 14 3
	" Occupation Act		224,118 12 11
	" Gold Fields Act		20,558 4 0
	Miscellaneous...		31,279 2 9
			£ 2,931,535 13 11
Revenue received in 1877			£ 2,931,535 13 11
Balances payable in 1878 for Auction Sales			244,205 9 1
" " 1880 for Conditional Purchases			1,274,862 0 0
GENERAL TOTAL			£ 4,450,603 3 0

STATISTICS—1877.

307

LEASED LANDS.

No. 182.—DECENNIAL RETURN of LANDS LEASED for Pastoral Purposes.

Year.	Fourteen Years' Leases.		Five Years' Leases.		Annual Leases.		Total Area of Land Leased.	Annual Rent Payable on			Total Annual Rent Payable.
	No. of Leases.	Area Leased.	No. of Leases.	Area Leased.	No. of Leases.	Area Leased.		Fourteen Years' Leases.	Five Years' Leases.	Annual Leases.	
		Square miles.		Square miles.		Square miles.	Square miles.	£ s. d.	£ s. d.	£ s. d.	£ s. d.
1868	436	18,615	3,322	180,506	9,851	9,851	208,972	17,598 11 5	219,643 12 9	19,708 12 8	254,950 16 10
1869	370	15,797	3,275	177,952	11,212	11,212	204,961	13,279 9 0	214,102 9 0	22,424 12 1	249,806 10 1
1870	237	10,118	3,295	179,038	11,197	11,197	200,353	7,021 10 6	212,091 13 1	22,394 19 1	241,508 2 8
1871	153	8,991	3,325	195,398	11,879	11,879	216,268	5,144 6 2	175,669 14 7	23,758 11 5	204,572 12 2
1872	18	1,057	3,886	228,365	13,554	13,554	242,976	568 0 0	174,823 19 9	27,108 0 6	202,500 0 3
1873	4,070	239,178	14,260	14,648	253,826	176,542 10 3	30,516 15 0	207,059 5 3
1874	4,240	270,321	15,406	15,784	286,105	186,820 8 8	33,020 5 0	219,840 13 8
1875	4,219	215,643	16,520	17,076	232,719	182,486 11 11	35,787 9 4	218,274 1 3
1876	4,235	216,174	18,394*	21,316½	237,490½	171,157 6 2	44,229 5 8	215,386 11 10
1877	4,279	218,314	18,307†	22,946	241,260	176,356 0 0	47,762 12 11	224,118 12 11

* Auction Leases, 3,620; area, 4,980½ square miles; annual rent, £10,909 10s. Pre-emptive Leases, 14,774; area, 16,336 square miles; annual rent, £33,319 15 8
† " 3,290 " 4,035 " " 8,471 12 1 " 15,017 " 18,810 " " 39,291 0 10

STATISTICAL REGISTER

OF

New South Wales,

FOR THE YEAR

1878,

COMPILED FROM OFFICIAL RETURNS IN THE REGISTRAR GENERAL'S OFFICE.

Presented to both Houses of Parliament by Command.



SYDNEY:

BY AUTHORITY: THOMAS RICHARDS, GOVERNMENT PRINTER, PHILLIP-STREET.

1879.

AUSTRALASIAN COLONIES.

STATISTICAL RETURN showing the relative positions and aggregate importance of the Australasian Colonies, at the close of the Year 1878.

NAME OF COLONY.	Estimated Mean Population of 1878.	Revenue of 1878.	Proportion of Revenue of 1878, raised by Taxation.	Rate of Taxation per head of Population.	Value of Imports for 1878.	Value of Imports per head of the Population.	Value of Exports for 1878.	Value of Exports per head of the Population.	Total Value of Trade, Imports, and Exports.	Value of Trade per head of the Population.	Miles of Railway Open, 31 Dec., 1878.	Miles of Railway in course of Construction, 31 Dec., 1878.	Miles of Telegraph Lines Open, 31 Dec., 1878.	Miles of Telegraph Wire Open, 31 Dec., 1878.	Miles of Telegraph in course of Construction, 31 Dec., 1878.		No. of Acres under Crop in 1878.	No. of Horses in 1878.	No. of Cattle in 1878.	No. of Sheep in 1878.	No. of Pigs in 1878.	Estimated Population on 31 Dec., 1878.	Public Debt on 31 Dec., 1878.	Rate of Indebtedness per head of Population.
															Length of Lines.	Length of Wire.								
New South Wales	677,979	£ 4,983,864	£ 1,309,717	£ s. d. 1 18 7½	£ 14,768,873	£ s. d. 21 15 8	£ 12,965,879	£ s. d. 19 2 5½	£ 27,734,752	£ s. d. 40 18 1½	* 733½	207½	7,078	11,760½	149	149	613,642	336,468	2,771,583	23,967,053	220,320	693,743	£ 11,688,119	£ s. d. 16 16 11½
Victoria	869,040	^b 4,504,413	^c 1,712,953	^d 1 19 10½	16,161,880	18 11 11½	14,925,707	17 3 6	31,087,587	35 16 5½	1,052	72	2,970½	5,403½	44½	44½	1,609,278	210,105	1,184,843	9,379,276	177,373	879,442	17,022,065	19 7 1½
South Australia... ..	243,253	1,592,635	519,254	2 2 8½	5,719,611	23 10 3	5,355,021	22 0 3½	11,074,632	45 10 6½	454½	358	4,217	5,686	675½	756½	2,011,319	121,553	251,802	6,377,812	103,422	248,795	5,329,600	21 8 5
Queensland	206,797	1,559,111	694,062	3 7 1½	3,436,077	16 12 3½	3,190,419	15 8 6½	6,626,496	32 0 10½	428	380	5,410	7,125	322	667	111,746	^e 147,076	^f 2,433,567	^g 5,564,465	^h 50,301	210,510	8,935,350	42 8 11
Tasmania	108,525	386,060	247,583	2 5 7½	1,324,812	12 4 2	1,315,695	12 2 5½	2,640,507	24 6 7½	172½	ⁱ 692	^j 910	38	38	143,797	24,107	126,276	1,838,831	39,595	109,947	1,738,500	15 16 2½
Western Australia	28,002	163,344	75,850	2 14 2	379,050	13 10 8½	428,491	15 6 0½	807,541	28 16 9½	48	1,568½	1,580½	51,065	32,801	56,158	869,325	16,762	28,166	184,566	6 11 0½
Total	2,133,596	13,189,427	4,559,419	2 2 11½	41,790,303	19 11 8½	38,181,212	17 17 10½	79,971,515	37 9 7½	2,888½	1,017½	21,936½	32,466	1,229½	1,654½	4,540,847	872,110	6,824,229	47,996,762	607,773	2,170,603	44,898,200	20 13 8½
New Zealand	423,465	4,167,889	1,533,393	3 12 5	8,755,663	20 13 6½	6,015,525	14 4 1½	14,771,188	34 17 7½	^k 1,089	^l 142	3,434	8,035	^m 2,053,910	137,768	578,430	13,069,338	207,337	432,519	ⁿ 22,608,311	52 5 5
Total for Australasian Colonies ...	2,557,061	17,357,316	6,092,812	2 7 10	50,545,966	19 15 4	44,196,737	17 5 8	94,742,703	37 1 0	3,977½	1,159½	25,370½	40,501	1,229½	1,654½	6,594,757	1,009,878	7,402,659	61,066,100	815,110	2,603,122	67,506,511	25 18 7½

* Includes a private line of Railway, 45 miles in length. ^b For the year ended 30 June, 1878. ^c The taxation levied by the general Government was less in 1877-8 than in the former year, in consequence of four-fifths of the wharfrage rates amounting in 1877-8 to £85,249 having been transferred to the Melbourne Harbour Trust. ^d This has been calculated according to the mean population of the financial year ended 30th June, 1878 (859,235).
^e There are five districts for which the returns are deficient—Blackall, Bowen, Bourke, Cunnamulla, and Marathon; the whole number of stations not included being fifty-five. ^f Not including 133 miles of telegraph line belonging to the Tasmanian Main Line Railway. ^g On 30 June, 1879. ^h Includes 1,236,100 acres in grass after having been broken up, including such as in hay; but exclusive of 1,501,651 acres of grass-sown lands not previously ploughed, including such as in hay, and 263,353 acres broken up but not under crop. ⁱ Accrued Sinking Fund, 1,678,127. Nett debt, 20,930,184.

STATISTICAL REGISTER.

1878.

TABLE OF CONTENTS.

	PAGE.
Part I.—Population, Immigration, Vital Statistics, &c. ... (Embracing Returns numbered 1 to 24.)	1
Part II.—Religion, Education, and Crime (Embracing Returns numbered 25 to 54.)	25
Part III.—Trade and Commerce... .. (Embracing Returns numbered 55 to 78.)	69
Part IV.—Mills and Manufactures (Embracing Returns numbered 79 to 95.)	175
Part V.—Production (Embracing Returns numbered 96 to 105.)	191
Part VI.—Monetary and Financial (Embracing Returns numbered 106 to 134.)	201
Part VII.—Miscellaneous (Embracing Returns numbered 135 to 175.)	259
<hr/>	
Statistical View of New South Wales from 1821 to 1878
Australasian Statistics
General Index to Contents

ALPHABETICAL INDEX TO CONTENTS.

	PAGE.		PAGE.
ABATTOIRS, GLEBE ISLAND—FEES	232	CATTLE—	
ACADEMY OF ART—NEW SOUTH WALES	32	Exported—Fees	232
ACCOUNTS—KEPT IN STERLING MONEY	235	Slaughtered for Tallow and Lard	188
AGRICULTURE—		(Decennial Return)	189
In each Police District	197	Fees for Slaughtering	212-232
Decennial Return	199	CEMENT, IMPORTED—DUTY ON	202
Holdings of various sizes	200	CHAPELS, &c.	26
ALE, BEER, AND PORTER, IMPORTED—DUTY ON	202	CHARITABLE INSTITUTIONS	14
APPREHENSIONS BY THE POLICE	64	CHEESE, IMPORTED—DUTY ON	202
" AND SUMMONSES, &c.	62	CHURCHES, CHAPELS, &c.	26
ART GALLERY OF NEW SOUTH WALES	32	CIDER—LICENSE FEES	203
ARTILLERY GUNS	308	GIGARS, IMPORTED—DUTY ON	202
ASSESSMENTS ON RUNS	210	CITY NIGHT REFUGE AND SOUP KITCHEN	16
ASYLUMS—		CIVIL JUSTICE	299
Benevolent	15	CLOTHING—AVERAGE PRICES OF (DECENNIAL RETURN)	22
Destitute Children's	15-30	COAL—	
Lunatic	5-16	Raised at the Mines and Value... ..	194
Government—(Infirm and Destitute)	15	(Decennial Return)	195
Asylum for Imbeciles and Institution for Idiots	9-16	COFFEE AND CHICORY, IMPORTED—DUTY ON	202
AUCTIONEERS' LICENSES—FEES	211	COIN AND BULLION—	
AUSTRALASIAN COLONIES—STATISTICAL RETURN SHOWING PROGRESS OF	In the Branch Royal Mint	} 236
AUSTRALIAN MUSEUM	33	In the Colonial Treasury	
BACON, IMPORTED—DUTY ON	202	In the Banks	
BAGS AND SACKS, IMPORTED—DUTY ON	202	Issued at the Branch Royal Mint	
BANKS—		COINS—IN CIRCULATION	237
Liabilities, Assets, &c.—Abstracts of	238	COLLEGES	30
Coin in	236	COLONIAL DISTILLED SPIRITS—DECENNIAL RETURN	189
" (Decennial Return)	237	COMFITS, IMPORTED—DUTY ON	202
Paper Currency in Circulation	237	COMMITMENTS FOR TRIAL—	
Rates of Interest allowed by	236	Supreme and Circuit Courts	53
New South Wales Savings' Bank—Deposits, Investments, &c.	240	Courts of Quarter Sessions	55
" Depositors, Amount of Deposits, &c.	241	CONFECTIONERY, IMPORTED—DUTY ON	202
" (Decennial Return)	241	CONVICT LUNATIC ASYLUM	8
Government Savings' Bank—Deposits, &c.	242	CONVICTIONS—	
Course of Exchange	235	In the Supreme and Circuit Courts	53-61
BAY-VIEW HOUSE LUNATIC ASYLUM (Licensed House)... ..	13	In the Courts of Quarter Sessions	55-61
BEER, &c., IMPORTED—DUTY ON	202	Decennial Return	61
BENEVOLENT ASYLUMS	15	In the Magistrates' Courts—Offences and Punishments inflicted	62-64
BIRTHS—		CONVICTS—	
In each Quarter of the Year	3	Executed	61
Decennial Return	3	" (Decennial Return)	61
Search Fees	221-222	Lunatics and Invalids	7
BISCUITS, IMPORTED—DUTY ON	202	COPPER MINES	194
BLUE, IMPORTED—DUTY ON	202	CORDAGE, IMPORTED—DUTY ON	202
BOATMEN—LICENSES	212	CORN FLOUR, IMPORTED—DUTY ON	202
BOILING-DOWN ESTABLISHMENTS	188	CRIME—	
BONDED DISTILLERIES AND SUGAR-HOUSES—DUTIES	202	Apprehensions and Summons Cases	62-64
BONDED WAREHOUSES—CHARGES	204	Commitments, Convictions, &c., &c.—In the Supreme and Circuit Courts	53
Stocks in	172	Commitment, Convictions, &c., &c.—In Courts of Quarter Sessions	55
BOROUGHS AND MUNICIPAL DISTRICTS—RECEIPTS AND EXPENDITURE	255	Convictions in Supreme and Circuit Courts and Courts of Quarter Sessions (Decennial Return)... ..	61
Electors and Voters	310	Executions	61
BRANDS—FEES ON REGISTRATION OF	223	Indictments and Informations in the Supreme and Circuit Courts and Courts of Quarter Sessions	63
BRANDY—		Offences—Number reported to the Police	62
Made in the Colony—(See "AGRICULTURE")	197	Summary Convictions—Offences and Punishments inflicted	62
Imported—Duty on	203	Summary Table of Offences reported to the Police—Apprehensions, Convictions, and Acquittals	63
Colonial—Duty on	202	Gaols and Prisoners	36
CANDLES—MANUFACTURED DURING THE YEAR	186	CRIMINAL LUNATIC ASYLUM	7
" (Decennial Return)	187	CROPS—LIENS ON	298
" Imported—Duty on	202	" Fees for Registration	221

	PAGE.		PAGE.
CUSTOMS CHARGES—(See "DUTIES")	202	FEE RECEIVED BY MASTER IN EQUITY, &C. (DECENNIAL RETURN)	301
" REVENUE	173	FERRIES—DUES	213
DATES, IMPORTED—DUTY ON	202	FISH—IMPORTED—DUTY ON	202
DAY SCHOOLS AND SCHOLARS	29-30	FITZ ROY DRY DOCK—DUES, &C.	215
DEAF AND DUMB AND BLIND INSTITUTION	15-30	FREE PUBLIC LIBRARY	33
DEATHS—		FRUITS, IMPORTED—DUTY ON	202
In each Quarter of the Year	3	GAOLS AND PRISONERS	36
Decennial Return	3	Diseases in	18
Search Fees	221-222	GINGER, IMPORTED—DUTY ON	202
DESTITUTE CHILDREN'S ASYLUM	15-30	GLADESVILLE—HOSPITAL FOR THE INSANE	5-16
DISEASES IN GAOLS	18	GLEBE ISLAND ABATTOIRS—FEES	232
DISTILLERIES—LICENSED—DUTIES	202	GOLD—	
DISTILLING SPIRITS—LICENSES	211	Raised and Value	193
DISTRICT COURTS CASES	300	Received by Escort from Gold Fields	192
DIVORCE AND MATRIMONIAL CAUSES COURT—FEES	228	(Decennial Return)	192
" Business done	299	Duty on (Exported)	203
DOCK DUES	215	Received into the Branch Royal Mint	244
DOGS—REGISTRATION FEES	234	Charges on	204
DOORS, IMPORTED—DUTY ON	202	Coined at the Branch Royal Mint	244
DRIED FRUITS, IMPORTED—DUTY ON	202	Licenses to dig for	210
DRUNKARDS PUNISHMENT ACT—FEES	233	Miners' Rights, &c., Issued	302
DRY DOCK, COCKATOO ISLAND—CHARGES	215	GOLD-MINING MACHINERY	303
DUES—		GOVERNMENT ASYLUMS FOR THE INFIRM AND DESTITUTE	15
Tonnage	212	GRAIN—	
Fitz Roy Dry Dock	215	Grown in the Colony	197
DUTIES—		Mills for Grinding and Dressing	176
On Goods Imported	202	(Decennial Return)	177
Gold into Branch Royal Mint	204	GUNPOWDER—STORAGE FEES	232
Gold Exported	203	GUNS—ARTILLERY	308
ECCLESIASTICAL RETURN	26	HAMS, IMPORTED—DUTY ON	202
EDUCATION—		HARBOUR AND LIGHT RATES	213
Private Schools and Scholars in each Police District	29	HARBOUR REMOVAL DUES	213
Summary of Schools and Scholars, &c., &c.	30	HAWKERS' AND PEDLERS' LICENSE FEES	211
(Decennial Return)	30	HOME INSTITUTION	16
Sunday Schools	27	HOPS, IMPORTED—DUTY ON	202
(Decennial Return)	28	HOSPITALS	14
University of Sydney—Numbers of Students, Graduates, &c.	31	HOSPITAL FOR THE INSANE, GLADESVILLE	5-16
ELECTORAL RETURN	309	HOUSE OF THE GOOD SAMARITAN	16
ELECTRIC TELEGRAPHS—		HOUSE RENT—CURRENT PRICES PAID FOR	20
Number and Value of Telegrams	246	IMMIGRATION—	
" Decennial Return	248	Arrivals seaward	2-4
Revenue Received for Foreign and Intercolonial Telegrams, &c.	248	(Decennial Return)	4
Scale of Charges	217	Expense on account of, &c.—(Decennial Return)	253
EMIGRATION SEAWARD	2	IMPORTS—	
" Decennial Return	4	Duty on	202
EXCHANGE—COURSE OF	235	Summary	70
EXECUTIONS—		General Return—Articles and Value	71
Religion, Age, &c.	61	Decennial Return—(Distinguishing the Countries from whence imported)	162
Decennial Return	61	Decennial Return—Articles and Value	137
EXPENDITURE—		Live Stock (Decennial Return)	164
Military and Naval	253	IMPOUNDING—FEES	234
EXPORTS—		INDUSTRIAL SCHOOLS FOR GIRLS	15-30
Gold—Duty on	203	INSOLVENCIES—DECENNIAL RETURN	302
Summary	70	INSOLVENT ESTATES PROCEEDINGS—FEES TAKEN IN	229
General Return—Articles and Value	100	INTESTATE ESTATES—DECENNIAL RETURN	301
Decennial Return—Articles and Value	146	IRON, IMPORTED—DUTY ON	202
Decennial Return—(Distinguishing Countries to which exported)	162	IRON MINES—QUANTITY RAISED, AND VALUE	194
Decennial Return—(the Produce or Manufacture of the Colony, &c.)	164	JAMS AND JELLIES, IMPORTED—DUTY ON	202
Live Stock—(Decennial Return)	165	KEROSENE SHALE MINES—QUANTITY RAISED AND VALUE	194
Tallow—(Ditto)	165	LANDS—	
Wool—(Ditto)	165	Sold	312
FEES—		(Decennial Return)	315
Schedule of, taken in the various Public Offices	220	Sold conditionally since 1862	315
Colonial Secretary's Office	220	Set apart for Public purposes	316
Lands Office	220	Fees on Grants of	220
Supreme Court	224	Mortgages on	297
Survey Office	220	Registration Fees	221-222
Insolvency Court Office	229	Discharges of Mortgages on	297
District Courts Office	230	Alienated and Unalienated	318
Court of Claims	220	Average price per acre	319
Coroners	231	Leased for Pastoral purposes (Decennial Return)	320
Government Printing Office	230	Revenue from, and Gold Fields	319
Registrar General's Office	221	Crown Grants Registered	298
Chief Inspector of Sheep	223		
Marine Board	213		
Ordnance Storekeeper	231		
Miscellaneous	232		

ALPHABETICAL INDEX TO CONTENTS.

V

	PAGE.		PAGE.
LARD—		MORTGAGES—	
Made in each Police District, &c....	188	On Land (Decennial Return) ...	297
(Decennial Return) ...	189	Live Stock (Ditto) ...	297
LETTERS POSTED ...	249	Discharges of (Ditto) ...	297
LIBRARIES—FREE PUBLIC ...	33	Registration Fees ...	221
LICENSED HOUSE FOR LUNATICS, COOK'S RIVER ...	13	MUNICIPALITIES—	
LICENSES—FOR VARIOUS PURPOSES—FEES...	210	Sydney (City) ...	254
Publicans'—Number issued ...	305	Other ...	255
Fees for issuing ...	211	MUSEUM—AUSTRALIAN—	
LIENS—ON WOOL ...	297	Number of Visitors, &c. ...	33
" Growing Crops ...	298	MUSTARD, IMPORTED—DUTY ON ...	202
" " Registration Fees ...	221	NAILS, IMPORTED—DUTY ON ...	202
LIVE STOCK—		NAUTICAL SCHOOL SHIP "VERNON" ...	15-30
In each Police District ...	195	NAVAL BRIGADE ...	308
Decennial Return ...	196	" EXPENDITURE ...	253
Slaughtered for Tallow and Lard ...	188	NEW SOUTH WALES ACADEMY OF ART ...	32
" " (Decennial Return) ...	189	NEWSPAPERS POSTED... ..	249
Mortgages on (Decennial Return) ...	297	NUTS, IMPORTED—DUTY ON ...	202
Discharges of Mortgages on (Decennial Return) ...	297	OILMEN'S STORES, IMPORTED—DUTY ON ...	202
Registration Fees on Mortgage ...	221	OILS, IMPORTED—DUTY ON ...	202
LOCAL REVENUES ...	254	OPIMUM, IMPORTED—DUTY ON ...	202
LUNATIC ASYLUM, COOMA ...	10-16	ORPHAN SCHOOLS ...	15-30
LUNATIC ASYLUM, CALLEN PARK ...	11-16	PACKET LICENSES—FEES ...	211
LUNATICS AND INVALIDS ...	5-16	PAINTS, IMPORTED—DUTY ON ...	202
LUNATIC RECEIVING HOUSE, DARLINGHURST ...	12-16	PAPER CURRENCY IN CIRCULATION ...	237
MACHINERY USED IN GOLD-MINING ...	303	PAPER, IMPORTED—DUTY ON ...	202
MAIZENA, IMPORTED—DUTY ON ...	202	PARRAMATTA—LUNATIC ASYLUMS ...	6-7-8-16
MALT, IMPORTED—DUTY ON ...	202	PAWNBROKERS' LICENSES—FEES ...	212
MANUFACTORIES, WORKS, &c.—		PEPPER, IMPORTED—DUTY ON ...	202
In each Police District ...	178	PERRY—LICENSE FEES ...	203
In Metropolitan and Country Districts showing num-		PETTY SESSIONS—FEES ...	233
ber of hands employed ...	182	PILOTAGE AND LIGHT RATES ...	213
(Decennial Return) ...	184	" CERTIFICATES—FEES ...	213
MANUFACTURES—		POLICE OFFICES—FEES ...	233
Colonial Distilled Spirits—(Decennial Return) ...	189	POLITICAL FRANCHISE ...	309
Refined Sugar—(Decennial Return) ...	188	POPULATION, EMIGRATION, &c.—CONTENTS ...	1
Soap and Candles ...	186	POPULATION ON 31ST DECEMBER ...	2
" (Decennial Return)... ..	187	" (Decennial Return) ...	2
Sugar from Cane grown in the Colony ...	187	POSTAGE RATES ...	215
Tallow and Lard... ..	188	POST OFFICES, AND LETTERS PASSING THROUGH SAME, &c.	
" (Decennial Return) ...	189	(Decennial Return) ...	249
Tobacco ...	187	POUNDKEEPERS' FEES ...	234
" (Decennial Return) ...	188	POWDER—	
Woollens ...	186	Blasting and Sporting—Imported—Duty on ...	203
" (Decennial Return) ...	186	Storage of—Fees ...	231
MARINE BOARD—FEES ...	213	PRESERVES, IMPORTED—DUTY ON ...	203
MARRIAGES—DECENNIAL RETURN ...	3	PRISONERS IN GAOLS... ..	36
Search Fees, &c. ...	221	PRIVATE SCHOOLS ...	29
MEASURES—		PRODUCTION—CONTENTS ...	191
In use ...	235	PROTESTANT ORPHAN SCHOOL ...	15-30
Examining, Comparing, and Stamping—Fees ...	233	PROVISIONS AND CLOTHING—AVERAGE PRICES OF	
METEOROLOGY ...	290	(DECENNIAL RETURN) ...	20-22
MILITARY—		PUBLICANS—LICENSES ISSUED TO ...	305
Forces ...	306	" " FEES FOR ISSUING... ..	211
Expenditure ...	253	PUBLIC WORSHIP ...	26
MILLS AND MANUFACTURES—CONTENTS ...	175	PUBLIC SCHOOLS, &c....	30
MILLS—		PUBLIC WORKS ...	260
For Grinding and Dressing Grain ...	176	QUARANTINE—EXPENSE ON ACCOUNT OF ...	253
(Decennial Return) ...	177	QUARTER SESSIONS—COURTS OF—	
MINERS' RIGHTS AND BUSINESS LICENSES ISSUED ...	302	Committals, Trials, Convictions, and Acquittals ...	55
Fees ...	210	Indictments and Informations in ...	63
MINES—		RAGGED SCHOOLS ...	15
Coal, Copper, Iron, Tin, &c. ...	194	RAILWAYS—	
MINT, ROYAL BRANCH, SYDNEY—		Traffic during each Month of the Year ...	245
Gold in ...	236-237	(Decennial Return)... ..	245
Gold Received and Issued since its opening ...	244	RATES OF WAGES—AVERAGE (DECENNIAL RETURN) ...	19
Gold Received by Escort ...	192		
Charges ...	204		
MISCELLANEOUS—CONTENTS ...	259		
MOLASSES AND TREACLE IMPORTED—DUTY ON ...	202		
MONEY PAID FOR IMMIGRATION ...	253		
MONEY—			
Coin and Bullion ...	236		
Paper Currency in Circulation... ..	237		
MONEY ORDERS—ISSUED AND PAID, &c. ...	250		
(Decennial Return) ...	252		
Commission for Issuing ...	216		

	PAGE.		PAGE.
REAL PROPERTY ACT—TRANSACTIONS UNDER ...	298	SUGAR-CANE GROWN IN THE COLONY—(See "AGRICULTURE")...	197
" CROWN GRANTS REGISTERED ...	298	SUICIDES—	
" FEES ...	222	In each Month of the Year ...	17
REFORMATORY AND INDUSTRIAL SCHOOLS ...	15-30	(Decennial Return) ...	17
REGISTERED ELECTORS, &C. ...	309	SUMMARY JURISDICTION ...	64
RELIGION, EDUCATION, AND CRIME—CONTENTS ...	25	SUNDAY SCHOOLS—	
REVENUE—CUSTOMS ...	173	Of each Denomination ...	27
RICE, IMPORTED—DUTY ON ...	203	(Decennial Return) ...	28
ROADS TRUSTS... ..	257	SUPREME AND CIRCUIT COURTS—	
ROMAN CATHOLIC ORPHAN SCHOOL ...	15-30	Criminal Cases ...	53
ROPE, IMPORTED—DUTY ON... ..	203	Civil Cases ...	299
RUM DISTILLED IN THE COLONY—(DECENNIAL RETURN)	189	" Fees ...	224
RUNS FOR PASTORAL PURPOSES—RENTS AND ASSESSMENTS	210	Indictments and Informations, in the ...	63
OF	210	SYDNEY FEMALE SCHOOL OF INDUSTRY ...	15
SAGO, IMPORTED—DUTY ON ...	203	SYDNEY FEMALE REFUGE ...	16
SALT AND SALTPETRE, IMPORTED—DUTY ON ...	203	SYDNEY GRAMMAR SCHOOL ...	30
SARSAPARILLA, IMPORTED—DUTY ON ...	203	SYDNEY SAILORS' HOME ...	16
SASHES, IMPORTED—DUTY ON ...	203	TALLOW—	
SCHOOLS—		Made in each Police District, &c. ...	188
Aboriginal Mission, Maloga ...	15	(Decennial Return) ...	189
Under Council of Education ...	30	TAXES, DUTIES, &C. ...	202
Protestant Orphan School ...	15-30	TEA, IMPORTED—DUTY ON ...	203
Roman Catholic Orphan School ...	15-30	TELEGRAMS ...	242
Nautical School Ship "Vernon" ...	15-30	Number of Messages Received and Issued ...	246
Reformatory and Industrial Schools ...	15-30	Charges for Transmission ...	217
Asylum for Destitute Children ...	15-30	TIMBER—	
Sydney Female School of Industry ...	15	Licenses to cut ...	211
Deaf and Dumb and Blind Institution ...	15-30	TIN—QUANTITY RAISED AT MINES, AND VALUE... ..	194
Ragged Schools ...	15	TOBACCO—	
Summary of Schools, and Scholars and Receipts	30	Imported—Duty on ...	203
Public ...	30	Manufactured during the Year... ..	187
Denominational ...	30	(Decennial Return) ...	187
Private ...	29-30	Grown in the Colony—(See "AGRICULTURE.")	197
(Decennial Return) ...	30	TOLLS—FEES ...	212
Sunday ...	27	TONNAGE DUTY ...	212
(Decennial Return) ...	28	TOWN ALLOTMENTS—(See "LAND SALES")	312
Of Art, Public Libraries, &c. ...	34	TRADE AND COMMERCE—CONTENTS ...	69
SHEEPOWNERS—CONTRIBUTIONS PAYABLE BY ...	232	TRADE MARKS—REGISTRATION FEES ...	223
SHIPPING—STEAM AND SAILING VESSELS—		TREACLE AND MOLASSES, IMPORTED—DUTY ON ...	203
Inwards—Countries from whence arrived ...	166	TURPENTINE, IMPORTED—DUTY ON ...	203
Nationality of ...	168	UNIVERSITY OF SYDNEY—STUDENTS ...	30-31
Ports at which entered ...	168	" GRADUATES, &C. ...	31
(Decennial Return) ...	168	" RECEIPTS AND EXPENDITURE ...	31
Outwards—Countries to which departed ...	169	VACCINATION ...	311
Nationality of ...	171	VARNISH, IMPORTED—DUTY ON ...	203
Ports from which departed ...	171	"VERNON"—NAUTICAL SCHOOL SHIP ...	15-30
(Decennial Return) ...	171	VESSELS—(See "SHIPPING") ...	166
Built and Registered—Number, Tonnage, and Descrip-		VINEGAR, IMPORTED—DUTY ON ...	203
tion ...	172	VINEYARDS—(See "AGRICULTURE") ...	197
(Decennial Return) ...	172	VOLUNTEER FORCE ...	306
SHIPPING MASTERS—ENGAGEMENT AND DISCHARGE OF		" " EXPENSE ON ACCOUNT OF... ..	253
CREWS—CHARGES ...	214	WAGES—AVERAGE RATES OF (DECENNIAL RETURN) ...	19
SHOT, IMPORTED—DUTY ON... ..	203	WAREHOUSES, BONDED—CHARGES ON ...	204
SHUTTERS, IMPORTED—DUTY ON ...	203	WATERWORKS ...	289
SLAUGHTER-HOUSES—INSPECTION FEE ...	232	WEIGHTS IN USE ...	235
SOAP—		" COMPARING AND STAMPING--FEES ...	233
Manufactured during the Year... ..	186	WHARFAGE RATES ...	204
(Decennial Return) ...	187	WINE—	
SODA CRYSTALS, IMPORTED—DUTY ON ...	203	Imported—Duty on ...	203
SPICES, IMPORTED—DUTY ON ...	203	Made in the Colony—(See "AGRICULTURE")...	197
SPIRIT MERCHANTS—REGISTRATION FEES... ..	211	WINE, CIDER, AND PERRY—LICENSE FEES ...	203
SPIRITS—		WOOL—	
Imported—Duty on ...	203	Exported—(Decennial Return) ...	165
Brandy made in the Colony—(See "AGRICULTURE") ...	197	Liens on ...	297
Colonial Distilled (Decennial Return) ...	189	Registration Fees ...	221
Colonial Brandy—Duty on ...	202	WOOLLENS—	
Licenses to distil, and for rectifying and compounding	211	Manufactured ...	186
ST. ANDREW'S COLLEGE ...	30	(Decennial Return) ...	186
ST. PAUL'S COLLEGE ...	30	WOOLPACKS, IMPORTED—DUTY ON... ..	203
ST. JOHN'S COLLEGE ...	30		
STARCH, IMPORTED—DUTY ON ...	203		
STATISTICAL VIEW OF THE COLONY FROM EARLIEST PERIOD			
STOCKS IN BONDED WAREHOUSES ...	172		
SUCCADES, IMPORTED—DUTY ON ...	203		
SUGAR—			
Made in the Colony, and number of Manufactories ...	187		
Imported—Duty on ...	203		
Refined—(Decennial Return) ...	188		

STATISTICAL REGISTER

OF

NEW SOUTH WALES,

1878.

PART I.

POPULATION, IMMIGRATION, VITAL STATISTICS, &c.

CONTENTS.

Number of Return.		Page.
1	Population on 31 December	2
2	„ (Decennial Return)	2
3	Marriages—(Decennial Return)	3
4	Births and Deaths—for each Quarter of the year	3
5	„ „ (Decennial Return)	3
6	Immigration—(Decennial Return)	4
7	Emigration—(Decennial Return)	4
8	Hospital for the Insane, Gladesville	5
9	Free Lunatic Asylum, Parramatta	6
10	Criminal Lunatic Asylum, Parramatta	7
11	Convict Lunatic Asylum, Parramatta	8
12	Asylum for Imbeciles and Institution for Idiots, Newcastle	9
13	Temporary Lunatic Asylum, Cooma	10
14	Lunatic Asylum, Callan Park	11
15	Lunatic Receiving House, Darlinghurst	12
16	Licensed House for Lunatics, Cook's River	13
17	Charitable Institutions	14
18	Suicides—Distinguishing modes of Death and Number in each Month... ..	17
19	„ (Decennial Return)	17
20	Diseases in the several Gaols	18
21	Diseases in Police Gaols	18
22	Average Rates of Wages—(Decennial Return)	19
23	Current Prices paid for Labour, House Rent, Clothing, Provisions, &c., &c.	20
24	Average Prices of Provisions and Clothing—(Decennial Return)	22

POPULATION.

No. 1.—RETURN of the INCREASE and DECREASE of the POPULATION of the Colony, from the 1st of January to the 31st of December, 1878, and of the total Number on the latter date.

	Males.	Females.	Total.	General Total.
IMMIGRATION AND BIRTHS—				
Increase by Immigration (Seaward)	^a 28,217	11,662	39,879	
Births	13,082	12,246	25,328	
TOTAL INCREASE	41,299	23,908	65,207
EMIGRATION AND DEATHS—				
Decrease by Departure (Seaward)	^b 16,660	6,253	22,913	
Deaths	6,284	4,479	10,763	
TOTAL DECREASE	22,944	10,732	33,676
NET INCREASE	18,355	13,176	31,531
Estimated Population on 31st December, 1877	367,323	294,889	662,212
Estimated Population on 31st December, 1878	385,678	308,065	693,743

^a Includes 2,485 Chinese.

^b Includes 1,560 Chinese.

N.B.—There are no means of ascertaining the overland migration between New South Wales and the neighbouring Colonies.

No. 2.—DECENNIAL RETURN of the POPULATION of the Colony.

Year.	Estimated Population on 31st December.			Year.	Estimated Population on 31st December.		
	Males.	Females.	Total		Males.	Females.	Total.
1869	271,005	214,351	485,356	1874	321,447	262,831	584,278
1870	280,350	222,511	502,861	1875	334,461	272,191	606,652
1871	284,151	235,031	519,182	1876	347,869	281,907	629,776
1872	295,680	243,510	539,190	1877	367,323	294,889	662,212
1873	307,329	252,946	560,275	1878	385,678	308,065	693,743

STATISTICS—1878.

3

MARRIAGES.

No. 3.—DECENNIAL RETURN of the Number of MARRIAGES registered in the Colony.

DENOMINATION.	1869.	1870.	1871.	1872.	1873.	1874.	1875.	1876.	1877.	1878.
	No.	No.	No.	No.	No.	No.	No.	No.	No.	No.
Church of England	1,018	1,159	1,232	1,381	1,547	1,572	1,618	1,759	1,869	2,098
Roman Catholic	901	908	885	836	992	837	953	921	990	1,009
Presbyterian	663	548	648	827	914	886	906	761	854	821
Wesleyan Methodist	313	363	364	397	462	518	502	487	509	556
Primitive Methodist	58	70	60	73	60	60	93	101	110	94
Congregationalist	106	82	99	148	164	180	186	232	243	291
Baptist	25	37	30	51	44	52	46	39	70	89
Unitarian... ..	4	3	4	3	3	1	1	1
Hebrew	13	4	10	6	10	10	11	14	20	20
Protestant Episcopal	2	5	16	16	3	7
Free Church of England	446	451	395
German Evangelical	2	7	4	9	7	14	17	19	20	11
Christians	6	1	3	3	4	4	3	11
Free Gospel Church	1
Free Christian Church	2	2
Registrars' Offices	243	215	219	191	179	208	250	275	303	309
TOTALS	3,799	3,848	3,953	3,925	4,384	4,343	4,605	4,630	4,994	5,317

BIRTHS AND DEATHS.

No. 4.—RETURN of the Number of BIRTHS and DEATHS of both Sexes registered in the Colony during each Quarter of the Year 1878.

Quarter ending.	Births.			Quarter ending	Deaths.		
	Males.	Females.	Total.		Males.	Females.	Total.
31 March	3,117	2,845	5,962	31 March	1,714	1,239	2,953
30 June	3,160	3,005	6,165	30 June	1,758	1,260	3,018
30 September	3,587	3,389	6,976	30 September	1,399	937	2,336
31 December	3,218	3,007	6,225	31 December	1,413	1,043	2,456
TOTAL... ..	13,082	12,246	25,328	TOTAL... ..	6,284	4,479	10,763

No. 5.—DECENNIAL RETURN of BIRTHS and DEATHS registered in the Colony.

Year.	Births.			Year.	Deaths.		
	Males.	Females.	Total.		Males.	Females.	Total.
1869	9,872	9,371	19,243	1869	3,972	2,719	6,691
1870	10,009	9,639	19,648	1870	4,009	2,549	6,558
1871	10,326	9,817	20,143	1871	3,882	2,525	6,407
1872	10,276	9,974	20,250	1872	4,442	3,026	7,468
1873	10,952	10,492	21,444	1873	4,599	3,012	7,611
1874	11,323	10,855	22,178	1874	5,022	3,630	8,652
1875	11,380	11,148	22,528	1875	6,245	4,526	10,771
1876	11,791	11,507	23,298	1876	6,508	4,685	11,193
1877	12,292	11,559	23,851	1877	5,877	3,992	9,869
1878	13,082	12,246	25,328	1878	6,284	4,479	10,763

IMMIGRATION.

No. 6.—DECENNIAL RETURN of the Number of IMMIGRANTS who arrived in the Colony SEAWARD, distinguishing those who arrived at the Public Expense, from the United Kingdom

Year.	Immigrants at the Public Expense from the United Kingdom.							Immigrants at their own Expense from all Countries.							Total Number of Immigrants arrived.							Religion of Immigrants at the Public Expense.			Native Countries of Immigrants at the Public Expense.								
	Adults.			Children.				Total.	Adults.			Children.				Chinese.	Total.	Adults.			Children.				Chinese.	General Total.	Protestants.	Roman Catholics.	Other Religions.	England and Wales.	Scotland.	Ireland.	Other Countries.
	Male.	Female.	Total.	Male.	Female.	Total.	Male.		Female.	Total.	Male.	Female.	Total.	Male.	Female.			Total.	Male.	Female.	Total.	Male.	Female.	Total.									
*1869 ...	22	25	47	47	13,559	3,677	17,236	1,136	1,049	2,185	288	19,709	13,581	3,702	17,283	1,136	1,049	2,185	288	19,756	10	37	...	2	6	39	...			
1870	12,531	3,790	16,321	1,184	1,086	2,270	30	18,621	12,531	3,790	16,321	1,184	1,086	2,270	30	18,621			
1871 ...	28	299	327	15	15	30	357	13,177	3,599	16,776	1,110	1,151	2,261	426	19,463	13,205	3,898	17,103	1,125	1,166	2,291	426	19,820	281	76	...	259	10	75	13			
1872 ...	25	271	296	16	14	30	326	16,976	4,123	21,099	1,304	1,149	2,453	229	23,781	17,001	4,394	21,395	1,320	1,163	2,483	229	24,107	261	65	...	240	70	7	9			
1873 ...	13	119	132	3	5	8	140	15,610	4,752	20,362	1,600	1,514	3,114	406	23,882	15,623	4,871	20,494	1,603	1,519	3,122	406	24,022	108	32	...	104	2	34	...			
1874 ...	427	411	838	109	133	242	1,080	19,242	5,361	24,603	1,738	1,470	3,208	865	28,676	19,669	5,772	25,441	1,847	1,603	3,450	865	29,756	721	359	...	533	108	433	6			
1875 ...	395	324	719	135	119	254	973	19,815	5,914	25,729	2,033	1,607	3,640	625	29,994	20,210	6,238	26,448	2,168	1,726	3,894	625	30,967	675	298	...	494	163	306	10			
1876 ...	642	429	1,071	208	184	392	1,403	20,614	6,345	26,959	2,156	1,668	3,824	696	31,479	21,256	6,774	28,030	2,364	1,852	4,216	696	32,942	1,086	375	2	841	188	407	27			
1877 ...	2,892	1,627	4,519	743	756	1,499	6,018	20,746	7,020	27,766	2,152	1,808	3,960	884	32,610	23,638	8,647	32,285	2,895	2,564	5,459	884	38,628	4,554	1,403	61	3,689	418	1,446	465			
1878 ...	2,091	1,754	3,845	699	646	1,345	5,190	20,769	7,427	28,196	2,173	1,835	4,008	2,485	34,689	22,860	9,181	32,041	2,872	2,481	5,353	2,485	39,879	3,417	1,716	57	2,864	304	1,840	182			

NOTE.—No account is kept of the number of persons who arrive overland from the adjacent Colonies.

* 1869.—The Government Immigration Regulations were cancelled in 1867; immigration therefore in fact ceased in 1868, but at the commencement of 1869 47 individuals arrived, being those who failed to avail themselves of their embarkation orders in the early part of 1868.

EMIGRATION.

No. 7.—DECENNIAL RETURN of the Number of EMIGRANTS who departed from the Colony SEAWARD.

Year.	Adults.			Children.			Chinese.	General Total.
	Males.	Females.	Total.	Males.	Females.	Total.		
1869.....	8,949	2,860	11,809	791	543	1,334	574	13,717
1870.....	8,913	3,078	11,991	961	729	1,690	525	14,206
1871.....	8,072	2,924	10,996	867	648	1,515	463	12,974
1872.....	11,407	3,392	14,799	851	634	1,485	597	16,881
1873.....	10,885	3,751	14,636	1,051	683	1,734	400	16,770
1874.....	12,508	3,997	16,505	1,123	718	1,841	933	19,279
1875.....	12,748	4,401	17,149	1,167	825	1,992	1,209	20,350
1876.....	14,089	4,945	19,034	1,162	787	1,949	940	21,923
1877.....	12,908	5,150	18,058	980	646	1,626	490	20,174
1878.....	13,691	5,393	19,084	1,409	860	2,269	1,560	22,913

NOTE.—No account is kept of the number of persons departing overland to the adjacent Colonies.

HOSPITAL FOR THE INSANE, GLADESVILLE.

No. 8.—RETURN showing the Admissions, Re-admissions, Discharges, Deaths, &c., of PATIENTS, in the HOSPITAL FOR THE INSANE, GLADESVILLE (including the BRANCH ASYLUM AT CALLAN PARK to 31st July), during the Year 1878.

In the Asylum on 31 December, 1877.			Admissions in the Year 1878.												Total Number of Patients under care.			Patients discharged, died, and escaped.												Remaining in the Asylum on 31 December, 1878.			Average numbers resident during the Year 1878.			Percentage of Recoveries on Admissions during the Year 1878.			Percentage of Patients relieved during the Year 1878.			Percentage of Deaths on average numbers resident.																	
			Admitted for the first time.			Re-admitted.			Transferred from other Asylums.			Total.						Discharged recovered.			Discharged relieved.			Removed not improved.			Died.																		Escaped and not recaptured within 14 days.			Total Number discharged, died, and escaped.											
M.	F.	Total.	M.	F.	Total.	M.	F.	Total.	M.	F.	Total.	M.	F.	Total.	M.	F.	Total.	M.	F.	Total.	M.	F.	Total.	M.	F.	Total.	M.	F.	Total.	M.	F.	Total.	M.	F.	Total.	M.	F.	Total.	M.	F.	Total.	M.	F.	Total.															
354	277	631	198	122	320	40	37	77	2	1	3	240	160	400	594	437	1031	101	44	145	13	20	33	109	42	151	37	9	46	260	115	375	334	322	656	335	301	636	42	08	27	50	36	35	5	41	12	50	8	25	11	04	2	99	7	23
Native Countries of the Patients.																																																											
British Colonies.									Great Britain.												France.			Germany.			China.			Other Countries.			General Total.																										
New South Wales.			Other Colonies.			Total.			England.			Scotland.			Ireland.			Total.																																									
M.	F.	Total.	M.	F.	Total.	M.	F.	Total.	M.	F.	Total.	M.	F.	Total.	M.	F.	Total.	M.	F.	Total.	M.	F.	Total.	M.	F.	Total.	M.	F.	Total.	M.	F.	Total.	M.	F.	Total.	M.	F.	Total.	M.	F.	Total.	M.	F.	Total.	M.	F.	Total.												
133	121	254	12	10	22	145	131	276	198	91	289	28	21	49	132	187	319	358	299	657	5	...	5	24	4	28	27	...	27	35	3	38	594	437	1,031																								
Ages of the Patients.																																																											
1 to 5 years.			5 to 10 years.			10 to 15 years.			15 to 20 years.			20 to 30 years.			30 to 40 years.			40 to 50 years.			50 to 60 years.			60 to 70 years.			70 to 80 years.			80 years and upwards.			General Total.																										
M.	F.	Total.	M.	F.	Total.	M.	F.	Total.	M.	F.	Total.	M.	F.	Total.	M.	F.	Total.	M.	F.	Total.	M.	F.	Total.	M.	F.	Total.	M.	F.	Total.	M.	F.	Total.	M.	F.	Total.	M.	F.	Total.	M.	F.	Total.																		
...	5	7	12	3	4	7	14	16	30	110	82	192	159	130	289	142	96	238	88	64	152	60	22	82	12	14	26	1	2	3	594	437	1,031																								

STATISTICS—1878.

FREE LUNATIC ASYLUM, PARRAMATTA.

No. 9.—RETURN showing the Admissions, Re-admissions, Discharges, Deaths, &c., of PATIENTS in the FREE LUNATIC ASYLUM, PARRAMATTA, during the Year 1878.

In the Asylum on 31 December, 1877.			Admissions in the year 1878.												Total Number of Patients under care.			Patients discharged, died, and escaped.												Remaining in the Asylum on 31 December, 1878.			Average numbers resident during the year 1878.			Percentage of Recoveries on Admissions during the year 1878.			Percentage of Patients relieved during the year 1878.			Percentage of Deaths on average numbers resident.								
			Admitted for the first time.			Re-admitted.			Transferred from other Asylums.			Total.						Discharged recovered.			Discharged relieved.			Removed not improved.			Died.																		Escaped and not recaptured within 14 days.			Total number discharged, died, and escaped.		
M.	F.	Total.	M.	F.	Total.	M.	F.	Total.	M.	F.	Total.	M.	F.	Total.	M.	F.	Total.	M.	F.	Total.	M.	F.	Total.	M.	F.	Total.	M.	F.	Total.	M.	F.	Total.	M.	F.	Total.	M.	F.	Total.	M.	F.	Total.									
542	194	736	1	1	2	60	22	82	61	23	84	603	217	820	3	...	3	3	...	3	42	16	58	48	16	64	555	201	756	549	195	744	491	...	357	491	...	357	765	820	779
Native Countries of the Patients.																																																		
British Colonies.									Great Britain.									France.			Germany.			China.			Other Countries.			General Total.																				
New South Wales.			Other Colonies.			Total.			England.			Scotland.			Ireland.			Total.																																
M.	F.	Total.	M.	F.	Total.	M.	F.	Total.	M.	F.	Total.	M.	F.	Total.	M.	F.	Total.	M.	F.	Total.	M.	F.	Total.	M.	F.	Total.	M.	F.	Total.	M.	F.	Total.	M.	F.	Total.	M.	F.	Total.	M.	F.	Total.	M.	F.	Total.						
81	26	107	5	2	7	86	28	114	161	53	214	44	13	57	202	118	320	407	184	591	6	1	7	31	2	33	38	...	38	35	2	37	603	217	820															
Ages of the Patients.																																																		
1 to 5 years.			5 to 10 years.			10 to 15 years.			15 to 20 years.			20 to 30 years.			30 to 40 years.			40 to 50 years.			50 to 60 years.			60 to 70 years.			70 to 80 years.			80 years and upwards.			General Total.																	
M.	F.	Total.	M.	F.	Total.	M.	F.	Total.	M.	F.	Total.	M.	F.	Total.	M.	F.	Total.	M.	F.	Total.	M.	F.	Total.	M.	F.	Total.	M.	F.	Total.	M.	F.	Total.	M.	F.	Total.	M.	F.	Total.	M.	F.	Total.									
.....	3	3	47	12	59	172	43	215	205	61	266	86	66	152	68	28	96	18	6	24	4	1	5	603	217	820															

CRIMINAL LUNATIC ASYLUM, PARRAMATTA.

No. 10.—RETURN showing the Admissions, Re-admissions, Discharges, Deaths, &c., of Patients in the CRIMINAL LUNATIC ASYLUM, PARRAMATTA, during the Year 1878.

In the Asylum on 31 December, 1877.			Admissions in the year 1878.												Total Number of Patients under care.			Patients discharged, died, and escaped.												Remaining in the Asylum on 31 December, 1878.			Average numbers resident during the Year 1878.			Percentage of Recoveries on Admissions during the Year 1878.			Percentage of Patients relieved during the Year 1878.			Percentage of Deaths on average numbers resident.											
			Admitted for the first time.			Re-admitted.			Transferred from other Asylums.			Total.						Discharged recovered.			Discharged relieved.			Removed not improved.			Died.																		Escaped and not recaptured within 14 days.			Total Number discharged, died, and escaped.					
M.	F.	Total.	M.	F.	Total.	M.	F.	Total.	M.	F.	Total.	M.	F.	Total.	M.	F.	Total.	M.	F.	Total.	M.	F.	Total.	M.	F.	Total.	M.	F.	Total.	M.	F.	Total.	M.	F.	Total.	M.	F.	Total.	M.	F.	Total.	M.	F.	Total.									
38	4	42	8	2	10	...	1	1	8	3	11	46	7	53	2	2	4	2	...	2	2	...	2	...	2	...	1	1	2	6	3	9	40	4	44	38	5	43	25.0	66.66	36.36	5.26	...	4.65
Native Countries of the Patients.																																																					
British Colonies.									Great Britain.												France.			Germany.			China.			Other Countries.			General Total.																				
New South Wales.			Other Colonies.			Total.			England.			Scotland.			Ireland.			Total.																																			
M.	F.	Total.	M.	F.	Total.	M.	F.	Total.	M.	F.	Total.	M.	F.	Total.	M.	F.	Total.	M.	F.	Total.	M.	F.	Total.	M.	F.	Total.	M.	F.	Total.	M.	F.	Total.	M.	F.	Total.	M.	F.	Total.	M.	F.	Total.	M.	F.	Total.	M.	F.	Total.						
4	3	7	1	...	1	5	3	8	13	...	13	3	...	3	14	4	18	30	4	34	7	...	7	4	...	4	46	7	53																		
Ages of the Patients.																																																					
1 to 5 years.			5 to 10 years.			10 to 15 years.			15 to 20 years.			20 to 30 years.			30 to 40 years.			40 to 50 years.			50 to 60 years.			60 to 70 years.			70 to 80 years.			80 years and upwards.			General Total.																				
M.	F.	Total.	M.	F.	Total.	M.	F.	Total.	M.	F.	Total.	M.	F.	Total.	M.	F.	Total.	M.	F.	Total.	M.	F.	Total.	M.	F.	Total.	M.	F.	Total.	M.	F.	Total.	M.	F.	Total.	M.	F.	Total.															
...	2	2	8	1	9	9	3	12	16	1	17	8	...	8	5	...	5	46	7	53																		

STATISTICS—1878.

CONVICT LUNATIC ASYLUM, PARRAMATTA.

No. 11.—RETURN showing the Admissions, Re-admissions, Discharges, Deaths, &c., of PATIENTS in the CONVICT LUNATIC ASYLUM, PARRAMATTA, during the Year 1878.

In the Asylum on 31 December, 1877.			Admissions in the Year 1878.												Total number of Patients under care.			Patients discharged, died, and escaped.												Remaining in the Asylum on 31 December, 1878.			Average numbers resident during the Year 1878.			Percentage of Recoveries on Admissions during the Year 1878.			Percentage of Patients relieved during the Year 1878.			Percentage of Deaths on average numbers resident.					
			Admitted for the first time.			Re-admitted.			Transferred from other Asylums.			Total.						Discharged recovered.			Discharged relieved.			Removed not improved.			Died.																		Escaped and not recaptured within 14 days.		
M.	F.	Total.	M.	F.	Total.	M.	F.	Total.	M.	F.	Total.	M.	F.	Total.	M.	F.	Total.	M.	F.	Total.	M.	F.	Total.	M.	F.	Total.	M.	F.	Total.	M.	F.	Total.	M.	F.	Total.	M.	F.	Total.	M.	F.	Total.						
21	6	27	21	6	27	1	...	1	1	...	1	20	6	26	20	6	26	5 ⁰	...	3 ⁰ ₄
Native Countries of the Patients.																																															
British Colonies.									Great Britain.												France.			Germany.			China.			Other Countries.			General Total.														
New South Wales.			Other Colonies.			Total.			England.			Scotland.			Ireland.			Total.																													
M.	F.	Total.	M.	F.	Total.	M.	F.	Total.	M.	F.	Total.	M.	F.	Total.	M.	F.	Total.	M.	F.	Total.	M.	F.	Total.	M.	F.	Total.	M.	F.	Total.	M.	F.	Total.	M.	F.	Total.	M.	F.	Total.	M.	F.	Total.	M.	F.	Total.	M.	F.	Total.
...	12	4	16	1	...	1	8	2	10	21	6	27	21	6	27			
Ages of the Patients.																																															
1 to 5 years.			5 to 10 years.			10 to 15 years.			15 to 20 years.			20 to 30 years.			30 to 40 years.			40 to 50 years.			50 to 60 years.			60 to 70 years.			70 to 80 years.			80 years and upwards.			General Total.														
M.	F.	Total.	M.	F.	Total.	M.	F.	Total.	M.	F.	Total.	M.	F.	Total.	M.	F.	Total.	M.	F.	Total.	M.	F.	Total.	M.	F.	Total.	M.	F.	Total.	M.	F.	Total.	M.	F.	Total.	M.	F.	Total.	M.	F.	Total.	M.	F.	Total.			
...	1	1	2	4	3	7	14	2	16	3	...	3	21	6	27									

ASYLUM FOR IMBECILES, &c., NEWCASTLE.

No. 12.—RETURN showing the Admissions, Re-admissions, Discharges, Deaths, &c., of PATIENTS in the ASYLUM for IMBECILES, &c., NEWCASTLE, during the Year 1878.

In the Asylum on 31 December, 1877.			Admissions in the Year 1878.												Total number of Patients under care.	Patients discharged, died, and escaped.												Remaining in the Asylum on 31 December, 1878.	Average numbers resident during the Year 1878.			Percentage of Recoveries on Admissions during the Year 1878.			Percentage of Patients relieved during the Year 1878.			Percentage of Deaths on average numbers resident.																		
			Admitted for the first time.			Re-admitted.			Transferred from other Asylums.			Total.				Discharged recovered.			Discharged relieved.			Removed not improved.			Died.																Escaped and not recaptured within 14 days.			Total number discharged, died, and escaped.												
M.	F.	Total.	M.	F.	Total.	M.	F.	Total.	M.	F.	Total.	M.	F.	Total.	M.	F.	Total.	M.	F.	Total.	M.	F.	Total.	M.	F.	Total.	M.	F.	Total.	M.	F.	Total.	M.	F.	Total.	M.	F.	Total.	M.	F.	Total.															
129	67	196	3	1	4	6	13	19	9	14	23	138	81	219	1	...	1	...	2	2	16	3	19	17	5	22	121	76	197	127	72	199	11	11	...	4	34	12	59	4	16	9	35	...
Native Countries of the Patients.																																																								
British Colonies.									Great Britain.															France.			Germany.			China.			Other Countries.			General Total.																				
New South Wales.			Other Colonies.			Total.			England.			Scotland.			Ireland.			Total.																																						
M.	F.	Total.	M.	F.	Total.	M.	F.	Total.	M.	F.	Total.	M.	F.	Total.	M.	F.	Total.	M.	F.	Total.	M.	F.	Total.	M.	F.	Total.	M.	F.	Total.	M.	F.	Total.	M.	F.	Total.	M.	F.	Total.	M.	F.	Total.	M.	F.	Total.	M.	F.	Total.									
87	66	153	5	1	6	92	67	159	27	4	31	1	1	2	11	9	20	39	14	53	1	...	1	3	...	3	1	...	1	2	...	2	138	81	219												
Ages of the Patients.																																																								
1 to 5 years.			5 to 10 years.			10 to 15 years.			15 to 20 years.			20 to 30 years.			30 to 40 years.			40 to 50 years.			50 to 60 years.			60 to 70 years.			70 to 80 years.			80 years and upwards.			General Total.																							
M.	F.	Total.	M.	F.	Total.	M.	F.	Total.	M.	F.	Total.	M.	F.	Total.	M.	F.	Total.	M.	F.	Total.	M.	F.	Total.	M.	F.	Total.	M.	F.	Total.	M.	F.	Total.	M.	F.	Total.	M.	F.	Total.	M.	F.	Total.															
2	1	3	16	11	27	24	16	40	26	21	47	23	18	41	12	9	21	13	2	15	9	1	10	11	1	12	2	1	3	138	81	219																					

798—B

STATISTICS—1878.

TEMPORARY LUNATIC ASYLUM, COOMA.

No. 13.—RETURN showing the Admissions, Re-admissions, Discharges, Deaths, &c., of PATIENTS in the TEMPORARY LUNATIC ASYLUM, COOMA, during the Year 1878.

In the Asylum on 31 December, 1877.			Admissions in the Year 1878.												Total number of Patients under care.			Patients discharged, died, and escaped.												Remaining in the Asylum on 31 December, 1878.			Average numbers resident during the Year 1878.			Percentage of Recoveries on Admissions during the Year 1878.			Percentage of Patients relieved during the Year 1878.			Percentage of Deaths on average numbers resident.								
			Admitted for the first time.			Re-admitted.			Transferred from other Asylums.			Total.						Discharged recovered.			Discharged relieved.			Removed not improved.			Died.																		Escaped and not recaptured within 14 days.			Total number discharged, died, and escaped.		
M.	F.	Total.	M.	F.	Total.	M.	F.	Total.	M.	F.	Total.	M.	F.	Total.	M.	F.	Total.	M.	F.	Total.	M.	F.	Total.	M.	F.	Total.	M.	F.	Total.	M.	F.	Total.	M.	F.	Total.	M.	F.	Total.	M.	F.	Total.	M.	F.	Total.						
63	...	63	2	...	2	2	...	2	65	...	65	2	...	2	2	...	2	1	...	1	5	...	5	60	...	60	61	...	61	100	...	100	161	...	161
Native Countries of the Patients.																																																		
British Colonies.									Great Britain.												France.			Germany.			China.			Other Countries.			Total.																	
New South Wales.			Other Colonies.			Total.			England.			Scotland.			Ireland.			Total.																																
M.	F.	Total.	M.	F.	Total.	M.	F.	Total.	M.	F.	Total.	M.	F.	Total.	M.	F.	Total.	M.	F.	Total.	M.	F.	Total.	M.	F.	Total.	M.	F.	Total.	M.	F.	Total.	M.	F.	Total.	M.	F.	Total.	M.	F.	Total.	M.	F.	Total.	M.	F.	Total.	M.	F.	Total.
7	...	7	3	...	3	10	...	10	17	...	17	4	...	4	19	...	19	40	...	40	1	...	1	1	...	1	1	...	1	4	...	4	9	...	9	65	...	65	65									
Ages of the Patients.																																																		
1 to 5 years.			5 to 10 years.			10 to 15 years.			15 to 20 years.			20 to 30 years.			30 to 40 years.			40 to 50 years.			50 to 60 years.			60 to 70 years.			70 to 80 years.			80 years and upwards.			General Total.																	
M.	F.	Total.	M.	F.	Total.	M.	F.	Total.	M.	F.	Total.	M.	F.	Total.	M.	F.	Total.	M.	F.	Total.	M.	F.	Total.	M.	F.	Total.	M.	F.	Total.	M.	F.	Total.	M.	F.	Total.	M.	F.	Total.	M.	F.	Total.	M.	F.	Total.						
...	1	...	1	13	13	27	27	18	18	5	5	1	...	1	65	...	65															

LUNATIC ASYLUM, CALLAN PARK.

No. 14.—RETURN showing the Admissions, Re-admissions, Discharges, Deaths, &c., of PATIENTS in the LUNATIC ASYLUM, CALLAN PARK, from the 1st August to the 31st December, 1878.

In the Asylum on 31 December, 1877.			Admissions in the Year 1878.												Total Number of Patients' under care.			Patients discharged, died, and escaped.												Remaining in the Asylum on 31 December, 1878.			Average numbers resident during the Year 1878.			Percentage of Recoveries on Admissions during the Year 1878.			Percentage of Patients relieved during the Year 1878.			Percentage of Deaths on average numbers resident.											
			Admitted for the first time.			Re-admitted.			Transferred from other Asylums.			Total.						Discharged recovered.			Discharged relieved.			Removed not improved or transferred.			Died.																		Escaped and not recaptured within 14 days.			Total number discharged, died, and escaped.					
M.	F.	Total.	M.	F.	Total.	M.	F.	Total.	M.	F.	Total.	M.	F.	Total.	M.	F.	Total.	M.	F.	Total.	M.	F.	Total.	M.	F.	Total.	M.	F.	Total.	M.	F.	Total.	M.	F.	Total.	M.	F.	Total.	M.	F.	Total.	M.	F.	Total.									
...	44	...	44	44	...	44	44	...	44	44	...	44	44	...	44
Native Countries of the Patients.																																																					
British Colonies.									Great Britain.												France.			Germany.			China.			Other Countries.			General Total.																				
New South Wales.			Other Colonies.			Total.			England.			Scotland.			Ireland.			Total.																																			
M.	F.	Total.	M.	F.	Total.	M.	F.	Total.	M.	F.	Total.	M.	F.	Total.	M.	F.	Total.	M.	F.	Total.	M.	F.	Total.	M.	F.	Total.	M.	F.	Total.	M.	F.	Total.	M.	F.	Total.	M.	F.	Total.	M.	F.	Total.	M.	F.	Total.	M.	F.	Total.	M.	F.	Total.			
10	...	10	10	...	10	17	...	17	2	...	2	14	...	14	33	...	33	1	...	1	1	...	1	1	...	1	44	44	...	44						
Ages of the Patients.																																																					
1 to 5 years.			5 to 10 years.			10 to 15 years.			15 to 20 years.			20 to 30 years.			30 to 40 years.			40 to 50 years.			50 to 60 years.			60 to 70 years.			70 to 80 years.			80 years and upwards.			General Total.																				
M.	F.	Total.	M.	F.	Total.	M.	F.	Total.	M.	F.	Total.	M.	F.	Total.	M.	F.	Total.	M.	F.	Total.	M.	F.	Total.	M.	F.	Total.	M.	F.	Total.	M.	F.	Total.	M.	F.	Total.	M.	F.	Total.	M.	F.	Total.												
...	6	...	6	9	...	9	7	...	7	9	...	9	11	...	11	2	...	2	44	...	44																		

STATISTICS—1878.

567

LUNATIC RECEIVING HOUSE, DARLINGHURST.

No. 15.—RETURN showing the Admissions, Re-admissions, Discharges, Deaths, &c., of PATIENTS in the LUNATIC RECEIVING HOUSE, DARLINGHURST, during the Year 1878.

In the Asylum 31 December, 1877.			Admissions in the Year 1878.												Total Number of Patient's under care.	Patients discharged, died, and escaped.												Remaining in the Asylum on 31 December, 1878.			Average numbers resident during the Year 1878.			Percentage of Recoveries on Admissions during the Year 1878.			Percentage of Patients relieved during the Year 1878.			Percentage of Deaths on average numbers resident.										
			Admitted for the first time.			Re-admitted.			Transferred from other Asylums.			Total.				Discharged recovered.			Discharged relieved.			Removed not improved.			Died.																		Escaped and not recaptured within 14 days.			Total number discharged, died, and escaped.				
M.	F.	Total.	M.	F.	Total.	M.	F.	Total.	M.	F.	Total.	M.	F.	Total.	M.	F.	Total.	M.	F.	Total.	M.	F.	Total.	M.	F.	Total.	M.	F.	Total.	M.	F.	Total.	M.	F.	Total.	M.	F.	Total.	M.	F.	Total.									
4	3	7	74	82	156	21	22	43	195	104	299	199	107	306	4	2	6	6	3	9	184	102	286	1	1	2	197	107	304	3	...	3	4	2	6	2'05	1'92	2'00	3'07	2'88	3'01	25'	50'	33'33
Native Countries of the Patients.																																																		
British Colonies.									Great Britain.												France.			Germany.			China.			Other Countries.			General Total.																	
New South Wales.			Other Colonies.			Total.			England.			Scotland.			Ireland.			Total.																																
M.	F.	Total.	M.	F.	Total.	M.	F.	Total.	M.	F.	Total.	M.	F.	T.	M.	F.	Total.	M.	F.	Total.	M.	F.	Total.	M.	F.	Total.	M.	F.	Total.	M.	F.	Total.	M.	F.	Total.	M.	F.	Total.	M.	F.	Total.									
37	38	75	2	1	3	39	39	78	65	27	92	10	4	14	46	33	79	121	64	185	1	...	1	8	1	9	10	...	10	16	...	16	195	104	299															
Ages of the Patients.																																																		
1 to 5 years.			5 to 10 years.			10 to 15 years.			15 to 20 years.			20 to 30 years.			30 to 40 years.			40 to 50 years.			50 to 60 years.			60 to 70 years.			70 to 80 years.			80 years and upwards.			General Total.																	
M.	F.	Total.	M.	F.	Total.	M.	F.	Total.	M.	F.	Total.	M.	F.	Total.	M.	F.	Total.	M.	F.	Total.	M.	F.	Total.	M.	F.	Total.	M.	F.	Total.	M.	F.	Total.	M.	F.	Total.	M.	F.	Total.	M.	F.	Total.									
1	...	1	1	1	...	1	6	6	12	44	27	71	55	35	90	49	18	67	19	8	27	14	2	16	4	6	10	2	2	4	195	104	299															

STATISTICS—1878.

LICENSED HOUSE FOR LUNATICS, COOK'S RIVER.

No. 16.—RETURN showing the Admissions, Re-admissions, Discharges, Deaths, &c., of PATIENTS in the Licensed House for Lunatics, Cook's River, during the Year 1878.

In the Asylum 31 December, 1877.	Admissions in the Year 1878.									Total Number of Patients under care.	Patients discharged, died, and escaped.												Remaining in the Asylum on 31 December, 1878.	Average numbers resident during the Year 1878.	Percentage of Recoveries on Admissions during the Year 1878.			Percentage of Patients relieved during the Year 1878.			Percentage of Deaths on average numbers resident.																
	Admitted for the first time.			Re-admitted.			Transferred from other Asylums.				Total.			Discharged recovered.			Discharged relieved.			Removed not improved.					Died.			Escaped and not recaptured within 14 days.			Total number discharged, died, and escaped.			M.			F.			Total.							
	M.	F.	Total.	M.	F.	Total.	M.	F.	Total.		M.	F.	Total.	M.	F.	Total.	M.	F.	Total.	M.	F.	Total.			M.	F.	Total.	M.	F.	Total.	M.	F.	Total.	M.	F.	Total.	M.	F.	Total.								
4	130	134	5	2	7	...	1	1	1	1	2	6	10	16	10	140	150	3	2	5	...	1	1	1	1	2	1	8	9	5	12	17	5	128	133	50.00	20.00	31.25	...	10.00	6.25	20.00	6.24	6.76
Native Countries of the Patients.																																															
British Colonies.									Great Britain.												France.			Germany.			China.			Other Countries.			General Total.														
New South Wales.			Other Colonies.			Total.			England.			Scotland.			Ireland.			Total.																													
M.	F.	Total.	M.	F.	Total.	M.	F.	Total.	M.	F.	Total.	M.	F.	Total.	M.	F.	Total.	M.	F.	Total.	M.	F.	Total.	M.	F.	Total.	M.	F.	Total.	M.	F.	Total.	M.	F.	Total.	M.	F.	Total.	M.	F.	Total.	M.	F.	Total.			
4	27	31	2	2	4	29	33	3	38	41	1	7	8	62	62	4	107	111	1	1	2	3	5	10	140	150												
Ages of the Patients.																																															
1 to 5 years.			5 to 10 years.			10 to 15 years.			15 to 20 years.			20 to 30 years.			30 to 40 years.			40 to 50 years.			50 to 60 years.			60 to 70 years.			70 to 80 years.			80 years and upwards.			General Total.														
M.	F.	Total.	M.	F.	Total.	M.	F.	Total.	M.	F.	Total.	M.	F.	Total.	M.	F.	Total.	M.	F.	Total.	M.	F.	Total.	M.	F.	Total.	M.	F.	Total.	M.	F.	Total.	M.	F.	Total.	M.	F.	Total.	M.	F.	Total.						
.....	2	10	12	5	53	58	40	40	3	24	27	11	11	...	2	2	10	140	150												

STATISTICS—1878.

CHARITABLE INSTITUTIONS.

No. 17.—RETURN showing the Number of CHARITABLE INSTITUTIONS in the Colony in the Year 1878, as well as the Number of Persons Admitted, Discharged, Died, &c.; also the Receipts and Disbursements during the same period.

Table with columns: INSTITUTIONS, In the Establishment on 31st Dec., 1877, Admitted during the Year 1878, Discharged, &c., during the Year 1878, Died during the Year 1878, Remaining in the Establishment on 31st Dec., 1878, Paupers receiving out-door Relief during the Year 1878, Receipts during the Year 1878 (From Government, From Voluntary Contributions, &c., Total), Disbursements during the Year 1878, Amount expended on the building in 1878, and included in the previous column.

a Inclusive of an investment of £3,000. b Includes £1,100 on account of new building. c The hospital was opened on the 14th December, 1877—the receipts and expenditure are from that date to end of 1878. d Includes £1,950 expended by Government under supervision of the Colonial Architect—not included in previous column.

No. 17.—RETURN of the Number of CHARITABLE INSTITUTIONS, &c., &c.—continued.

INSTITUTIONS.	In the Establishment on 31st Dec., 1877.			Admitted during the Year 1878.			Discharged, &c., during the Year 1878.			Died during the Year 1878.			Remaining in the Establishment on 31st Dec., 1878.			Paupers receiving out-door Relief during the Year 1878.			Receipts during the Year 1878.			Disbursements during the Year 1878.	Amount expended on the buildings in 1878, and included in the previous column.																								
	M.	F.	Total.	M.	F.	Total.	M.	F.	Total.	M.	F.	Total.	M.	F.	Total.	M.	F.	Total.	From Government.	From Voluntary Contributions, &c.	Total.																										
BENEVOLENT ASYLUMS.																																															
Government Asylums—																																															
Hyde Park, Sydney	260	278	226	51	261	£	s.	d.	£	s.	d.	£	s.	d.	£	s.	d.	£	s.	d.														
Parramatta	233	444	390	50	237	18,859	12	5	18,859	12	5	18,859	12	5																
Liverpool	713	797	615	166	729																
Sydney (Pitt-street)	2	52	219	201	6																
„ (Children)	191	381	68	2,555 ^a	5,722	6	3	1,673	15	2	7,396	1	5	7,380	14	8	991	6	5													
Parramatta	3	12	1	11	88	13	4	88	13	4	177	6	8	162	9	3														
Singleton	9	3	56	10	7															
„ (Children)	48	17	65															
(Children)	960	325	1,285	1,298	525	1,823	10,544	455	1,509	221	57	278	983	338	1,321	47	2,555 ^a	20	24,920	12	0	3,081	9	4	28,002	1	4	27,112	12	11	1,117	16	5
BENEVOLENT SOCIETIES.																																															
West Maitland	8	3	11	33	9	42	25	10	35	4	4	12	2	14	186	60	246	229	15	1	475	2	4	704	17	5	574	2	3				
Bega	
ORPHAN AND INDUSTRIAL SCHOOLS, &c.																																															
Protestant Orphan School	176	84	260	28	18	46	32	22	54	1	1	2	171	79	250	7,602	6	8	7,602	6	8	7,602	6	8			
Roman Catholic Orphan School	184	149	333	50	60	110	47	47	94	1	187	161	348		
Nautical School Ship "Vernon"	92	92	83	83	62	62	113	113		
Industrial School for Girls, Biloela.	9	83	92	6	29	35	1	36	37	14	76	90			
Reformatory for Girls, Biloela	6	6	1	1	4	3	3				
Asylum for Destitute Children, Randwick.	348	230	578	86	52	138	95	58	153	4	4	335	224	559			
Sydney Female School of Industry.	50	50	2	2	4	1	...	47	47			
Deaf, Dumb, and Blind Institution.	31	26	57	6	2	8	5	1	6	1	1	31	27	58			
Ragged Schools { Kent-street, Sydney	51	49	100	45	45	90				
{ Harrington-street	60	41	101	48	45	93				
{ Glebe	61	81	142	56	63	119					
Aboriginal Mission School, Malaga.	14	17	31	14	17	31				
Female Protestant Training School for Domestic Servants.					
	1026	816	1,842	259	164	423	242	172	414	6	3	9	1014	787	1,801	27,184	2	11	8,086	5	10	35,270	8	9	33,504	0	11	1,199	3	6						

^a Cases relieved.

^b Includes £6,873 4s. 7d. for maintenance of children removed from Benevolent Asylum, Sydney.

^c No return.

No. 17.—RETURN of the Number of CHARITABLE INSTITUTIONS, &c., &c.—continued.

INSTITUTIONS.	In the Establishment on 31st Dec., 1877.			Admitted during the Year 1878.			Discharged, &c., during the Year 1878.			Died during the Year 1878.			Remaining in the Establishment on 31st Dec., 1878.			Paupers receiving out-door Relief during the Year 1878.			Receipts during the Year 1878.			Disbursements during the Year 1878.	Amount expended on the building in 1878 and included in the previous column.										
	M.	F.	Total.	M.	F.	Total.	M.	F.	Total.	M.	F.	Total.	M.	F.	Total.	M.	F.	Total.	From Government.	From Voluntary Contributions, &c.	Total.												
LUNATIC AND INVALID ESTABLISHMENTS.																																	
Hospital for the Insane, Gladesville (including Branch Asylum, Callan Park), to 31 July, 1878.	354	277	631	240	160	400	223	106	329	37	9	46	334	322	656	£	s.	d.	£	s.	d.	£	s.	d.	£	s.	d.	£	s.	d.
Parramatta {	Free Lunatic Asylum.	542	194	736	61	23	84	6	...	6	42	16	58	555	201	756	18,829	4	1	...	18,829	4	1	18,829	4	1		
	Convict Lunatic Asylum.	21	6	27	1	...	1	20	6	26			
	Criminal Lunatic Asylum.	38	4	42	8	3	11	4	2	6	2	...	2	40	4	44			
Lunatic Asylum, Callan Park, from 1st August.	44	...	44	44	...	44	1,659	13	3	...	1,659	13	3	1,659	13	3			
Lunatic Receiving-house, Darlinghurst.	4	3	7	195	104	299	194	107	301	1	1	2	3	...	3	995	8	3	...	995	8	3	995	8	3			
Temporary Lunatic Asylum, Cooma.	63	...	63	2	...	2	4	...	4	1	...	1	60	...	60	2,266	1	4	...	2,266	1	4	2,266	1	4			
Asylum for Imbeciles and Institution for Idiots, Newcastle.	129	67	196	9	14	23	1	2	3	16	3	19	121	76	197	5,534	0	3	...	5,534	0	3	5,534	0	3			
Licensed House for Lunatics, Cook's River.	4	130	134	6	10	16	4	4	8	1	8	9	5	128	133	8,765	6	2	...	8,765	6	2	8,765	6	2			
	1155	681	1836	565	314	879	436	221	657	101	37	138	1182	737	1919	56,642	13	5	...	56,642	13	5	56,642	13	5			
MISCELLANEOUS.																																	
Home Institution	13	13	...	146	146	...	152	152	7	7	392	5	6	...	392	5	6	378	0	6		
House of the Good Samaritan	60	60	...	87	87	...	90	90	57	57			
Sydney Sailors' Home ...	32	...	32	864	...	864	838	...	838	26	...	26			
Sydney Female Refuge	40	40	...	66	66	...	59	59	47	47	1,047	11	0	...	1,047	11	0	1,395	13	2	231	7	0	
City Night Refuge and Soup Kitchen. c	24	...	24	20	...	20	657	17	1	...	657	17	1	604	8	10		
Infant's Home ...	15	14	29	41	35	76	12	12	24	9	17	26	35	20	55	1,263	9	0	...	1,263	9	0	1,347	3	1	171	7	9	
	71	127	198	905	334	1239	850	313	1163	9	17	26	81	131	212	3,361	2	7	...	3,361	2	7	3,725	5	7	402	14	9	
GENERAL TOTAL ...	3704	2072	5776	8474	2721	11195	7321	2389	9710	943	250	1193	3854	2136	5990	10164 and 2555 cases 20	133,907	2	7	36,865	9	3	170,772	11	10	171,428	2	3	11,584	1	11
(Children)...	191	422	381	68	164			

a Not stated in return. b Information refused. c 52,750 meals were given during the year, and shelter afforded in 25,550 instances. d Exclusive of the House of the Good Samaritan and Sydney Sailors' Home. NOTE: Lunatic Asylums.—The following amounts were received from relations and friends for maintenance of patients, and paid into the Treasury:—Hospital for the Insane, Gladesville, £1,284 os. 2d.; Free Lunatic Asylum, Parramatta, £215 2s.; Asylum for Imbeciles, Newcastle, £117 15s. 10d.; total, £1,616 18s.

STATISTICS—1878.

SUICIDES.

No. 18.—RETURN of the Number of SUICIDES in the Colony, during the Year 1878, distinguishing the Modes of Death, and the Number in each Month.

Months.	Modes of Death.																														
	Drowning.		Hanging.		Shooting.		Cutting Throat.		Hemorrhage from Wounding, &c.		Poisoning.		Throwing himself from a window.		Wounds on body.		Tetanus from Cuts.		Throwing self down open Shaft.		Strangulation.		Bleeding the Arm.		Stabbing.		Opium-smoking.		Total.		
	M.	F.	M.	F.	M.	F.	M.	F.	M.	F.	M.	F.	M.	F.	M.	F.	M.	F.	M.	F.	M.	F.	M.	F.	M.	F.	M.	F.	M.	F.	Total.
January ..	1	2	2																	1	1								4	3	7
February ..							1					2	1																3	1	4
March	1		1				1																						3		3
April							1						1																1	1	2
May			1				2					1	1																4	1	5
June			1									2																	3		3
July	1						1					1																	3		3
August....	1				2		1						1												1				5	1	6
September ..												2																	2		2
October ...	1		2									1																	4		4
November ..	2						1																						3		3
December ..	1		1				2									2													6		6
Totals....	8	2	8		2		10					9	4			2					1	1						41	7	48	

No. 19.—DECENNIAL RETURN of the Number of SUICIDES in the Colony.

Year.	Modes of Death.																														
	Drowning.		Hanging.		Shooting.		Cutting Throat.		Hemorrhage from Wounding, &c.		Poisoning.		Jumping, &c. from a window or of a wall.		Wounds on body.		Tetanus from Cuts.		Throwing self down open Shaft.		Strangulation.		Bleeding the Arm.		Stabbing.		Opium-smoking.		Total.		
	M.	F.	M.	F.	M.	F.	M.	F.	M.	F.	M.	F.	M.	F.	M.	F.	M.	F.	M.	F.	M.	F.	M.	F.	M.	F.	M.	F.	M.	F.	Total.
1869	2	7	8		10		11	1				1	6	1															33	14	47
1870	11	1	9		3		7	2	1			3	2												2				36	5	41
1871		3	9		3		7	1				3	3												1				23	7	30
1872	7	3	9	1	8		8	1				11	1									1			8				47	6	53
1873	2	4	7		1		10	3				4	5	1								3	1						28	13	41
1874	8	3	22	2	3		9	1				4	10											1	1				47	17	64
1875	8	3	13		7		11	3				7	1	1								1							48	7	55
1876	8	3	7		4		15	2				17	5																51	10	61
1877	9	3	9	2	6		11					11	5			5	1	1				2					1		55	11	66
1878	8	2	8		2		10					9	4			2					1	1				1			41	7	48

DISEASES.

No. 20.—RETURN showing the Number of DISEASES that have been most prevalent in the several GAOLS during the Year 1878.

GAOLS.	Brain and Nerves.	Circulatory Organs.	Respiratory Organs.	Alimentary Canal.	Urinary Organs.	Hepatic.	Eyes.	Skin.	Cellular Texture.	Children.	Fevers.	Rheumatic.	Dropsy.	Veneral.	Scorbutic.	Uterine Organs.	Ulcers.	Pregnancy and Parturition.	Wounds and Accidents.	Cancer.	Hernia.	All other.	Total Number of Cases treated.	Greatest Number of Cases treated at any one time.	Day of Month.
	No.	No.	No.	No.	No.	No.	No.	No.	No.	No.	No.	No.	No.	No.	No.	No.	No.	No.	No.	No.	No.	No.	No.	No.	No.
Darlinghurst, Sydney ..	65	25	52	73	21	20	7	5	1	9	10	35	7	27	11	14	9	15	15	3	..	3	427	30	27 June.
Parramatta ..	148	13	168	308	15	..	12	3	1	..	3	69	5	..	20	133	898	30	1 April.
Berrima ..	36	75	193	211	20	25	35	70	10	..	15	40	..	15	3	..	186	934	11	14 May.
Bathurst ..	31	2	136	153	7	..	24	11	8	..	13	117	..	5	..	5	24	..	16	102	654	9	9 Sept.
Maitland ..	44	12	17	..	38	32	..	24	21	77	2	32	17	2	46	653	1,017	30	8 July.
Goulburn ..	128	157	533	457	74	10	30	13	22	2	4	80	..	48	26	..	3	7	25	1	7	33	1,660	18	18 Feb.
Port Macquarie (to 31 March).	2	2
Young (from 1 April) ..	9	10	11	23	..	1	6	1	3	6	..	5	2	..	4	..	3	84	7	10 Dec.
Albury ..	13	1	8	9	3	1	1	3	1	2	1	3	6	52	6	6 Sept.
Braidwood..	9	..	12	7	7	5	3	7	..	5	3	1	59	6	14 June.
Mudgee ..	24	3	5	48	3	2	10	..	4	..	3	21	2	11	136	11	21 April.
Wagga Wagga ..	28	10	14	22	5	6	7	5	4	..	2	7	2	3	2	1	8	..	5	1	2	..	134	5	24 Sept.
Armidale ..	14	3	5	11	1	1	5	..	1	5	46	6	13 June.
Yass ..	9	4	10	32	1	1	10	2	14	8	..	2	..	1	8	..	2	104	3	12 Sept.
Deniliquin..	17	2	19	30	1	..	12	2	11	..	6	3	..	14	117	10	1 Feb.
TOTALS ..	575	317	1166	1,384	175	71	195	148	43	35	71	455	11	149	41	24	124	24	180	8	9	1,119	6,324	182	..

NOTE.—Gaol (Darlinghurst)—Externes, 5,978 cases treated.

No. 21.—RETURN showing the Number of DISEASES that have been most prevalent in the POLICE GAOLS during the Year 1878.

POLICE GAOLS.	Brain and Nerves.	Circulatory Organs.	Respiratory Organs.	Alimentary Canal.	Urinary Organs.	Hepatic.	Eyes.	Skin.	Cellular Texture.	Children.	Fevers.	Rheumatic.	Dropsy.	Veneral.	Scorbutic.	Uterine Organs.	Ulcers.	Pregnancy and Parturition.	Wounds and Accidents.	Cancer.	Hernia.	All other.	Total Number of Cases treated.	Greatest Number of Cases treated at any one time.	Day of Month.	
	No.	No.	No.	No.	No.	No.	No.	No.	No.	No.	No.	No.	No.	No.	No.	No.	No.	No.	No.	No.	No.	No.	No.	No.	No.	
Bega ..	5	5	1	
Bourke ..	10	1	9	2	3	..	3	1	1	6	..	5	1	..	2	..	7	11	62	5	{ 17 Mar., 27 April.	
Campbelltown
Cooma ..	6	4	3	2	2	1	..	1	1	2	1	23	2	{ 24 April, 8 Aug.	
Dubbo ..	16	2	8	7	3	4	1	1	2	..	2	5	1	6	1	57	4	17 Jan.	
Forbes ..	22	2	4	8	7	4	5	2	54	3	29 July.	
Glen Innes ..	3	..	1	4	1	
Grafton ..	25	..	1	3	2	1	..	1	4	1	1	39	3	{ 27 Jan., 7 Oct.	
Grenfell	1	1	1	3	1	
Gundagai ..	4	1	1	1	7	2	{ 13 & 18 Feb.	
Hay ..	13	..	6	5	1	2	3	..	2	2	1	35	4	19 Dec.	
Murrumbidgee ..	3	..	1	3	1	2	10	2	16 Jan.	
Muswellbrook ..	3	3	1	6	1	
Narrabri ..	4	4	..	5	1	1	1	..	1	2	1	20	2	4 June.	
Nimitybelle
Orange ..	6	2	6	14	3	3	7	2	..	4	..	1	2	..	6	1	57	3	{ 26 Jan., 10 Aug.	
*Port Macquarie	2	1	2	1	2	6	1	
Queanbeyan ..	5	..	2	5	1	1	14	2	23 Feb.	
Singleton ..	4	1	5	
Tamworth ..	6	..	16	20	11	7	4	5	..	3	2	18	92	4	8 April.	
Tenterfield	2	1	1	1	1	6	3	9 April.
Wellington ..	11	..	3	5	3	3	..	1	..	1	38	4	4 Jan.	
Wentworth ..	5	..	3	5	2	24	3	
Windsor ..	34	7	10	2	2	2	12	2	2	69	2	2 Oct.	
Wollongong ..	5	..	2	..	2	2	1	4	22	2	23 Oct.	
†Young	4
†Coonabarabran
†Coonamble	1	1	1	11 Dec.	
†Wilcannia ..	3	2	2	11 Dec.	
†Walgett	1	
TOTALS ..	193	18	79	94	16	25	26	21	6	8	5	47	3	19	1	6	11	1	47	1	48	665	58
TOTALS OF GAOLS ..	575	317	1166	1,384	175	71	195	148	43	35	71	455	11	149	41	24	124	24	180	8	9	1,119	6,324	182	
GENERAL TOTAL ..	768	335	1245	1,478	191	96	221	169	49	38	76	502	14	168	42	30	135	25	227	9	9	1,162	6,989	240	

* From 1st April, 1878.

† No report.

‡ Proclaimed 2nd October, 1878.

RATES OF WAGES.

No. 22.—DECENNIAL RETURN showing the AVERAGE RATES OF WAGES for the different Classes of Labour in the Colony.

TRADE OR CALLING.	Average Wages per diem, without Board and Lodging.		Average Wages per ann., with Board and Lodging.		Average Wages per diem, without Board and Lodging.		Average Wages per ann., with Board and Lodging.		Average Wages per diem, without Board and Lodging.		Average Wages per ann., with Board and Lodging.		Average Wages per diem, without Board and Lodging.		Average Wages per ann., with Board and Lodging.		Average Wages per diem, without Board and Lodging.		Average Wages per ann., with Board and Lodging.		Average Wages per diem, without Board and Lodging.		Average Wages per ann., with Board and Lodging.																		
	1869.		1870.		1871.		1872.		1873.		1874.		1875.		1876.		1877.		1878.																						
MALES.	s.	s.	£	s.	s.	£	s.	s.	£	s.	s.	£	s.	s.	£	s.	s.	£	s.	s.	£	s.	s.	£																	
Carpenters ...	{ Town ...	7	to	9	8	to	9	8	to	11	10	8	to	10	9	to	10	9	to	11	10	to	11	10								
	{ Country.	60	to	80	60	to	80	50	to	70	60	to	80	80	to	100	60	to	80	60	to	80	104	80	to	104	78				
Smiths... ..	{ Town ...	7	to	12	8	to	12	8	to	9	8	to	11	10	10	to	12	9	to	11/6	9	to	10	9	to	10	9				
	{ Country.	60	to	70	70	to	80	50	to	70	60	to	80	80	to	100	60	to	80	60	to	80	80	to	90	75	to	100	78		
Wheelwrights	{ Town ...	7	to	10	7/6	to	10	8	to	9	7	to	10	9	8	to	10	9	to	11/6	10	9	to	10	10	10				
	{ Country.	60	to	80	60	to	80	50	to	70	60	to	80	70	to	90	60	to	80	60	to	80	104	to	120	70	to	100	91		
Bricklayers	{ Town ...	7	to	10	9	to	12	8	to	10	8	to	11	10	10	to	11	11s.	11	10	to	12	12	12	12				
	{ Country.	90	80	60	to	80	60	to	80	80	to	100	80	to	100	80	to	100	80	to	100					
Masons... ..	{ Town ...	7	to	10	9	to	10	8	to	9	8	to	11	10	10	to	12	10	to	12	11	10	to	12	11	11				
{ Country.	90	70	to	80	60	to	80	60	to	80	80	to	100	80	to	100	80	to	100					
Farm Labourers	30	to	33	30	to	35	26	to	30	32	to	35	30	to	35	30	to	35	30	to	45	30	to	35	35	to	45	40		
Shepherds	32	to	35	30	to	35	26	to	35	30	to	40	30	to	40	30	to	35	35	to	40	30	to	40	35	to	45	35		
FEMALES.																																									
Cooks (plain)	26	to	32	26	to	30	30	26	to	30	30	to	40	30	to	40	30	to	40	35	to	52	32	to	65	40				
Housemaids	20	to	26	20	to	26	20	to	26	20	to	26	26	to	30	26	to	30	26	to	32	26	to	34	26	to	40	28		
Laundresses	26	to	30	26	to	30	26	to	30	26	to	30	26	to	30	26	to	30	30	to	40	32	to	40	32	to	45	39		
Nursemaids	20	20	13	to	25	20	20	to	26	20	to	26	20	to	26	26	to	30	20	to	32	20	to	35	26				
General House Servants	26	26	to	30	20	to	26	26	26	26	to	30	26	to	30	26	to	30	26	to	40	20	to	45	26	to	45	29
Farm House Servants...	}	20	to	26	20	to	26	20	to	26	26	26	26	to	30	26	to	30	26	to	40	20	to	45	26	to	45	29		
Dairywomen, &c.		20	to	26	20	to	26	20	to	26	26	26	26	to	30	26	to	35	20	to	30	26	to	39	26	to	39	26		

STATISTICS—1878.

No. 23.—RETURN showing the CURRENT PRICES paid in the months of January, June, and October, 1878, for LABOUR in some of the principal Trades of the Colony, which of course vary somewhat in different districts.

	January.		June.		October.	
*Coal-miners	10/	to 15/ per day.	} No alteration.		} No alteration.	
Compositors	1/	" 1/1 per 1,000.				
Stonemasons	10/	" 12/ per day.	10/	to 11/ per day.	10/	to 11/ per day.
Stonemasons' labourers...	7/	" 10/ "	7/	" 8/ "	7/	" 8/ "
Plasterers	11/	" 12/ "	11/	" 12/ "	11/	to 12/ "
Plasterers' labourers ...	7/6	" 9/6 "	8/	" 9/ "	8/	" 9/ "
Bricklayers	10/	" 12/ "	10/	" 12/ "	10/	" 12/ "
Labourers	7/	" 9/ "	8/	" 9/ "	8/	" 9/ "
Painters	9/	" 10/ "	} No alteration.		} No alteration.	
Saddlers	45/	" 55/ per week.				
Tailors (paid by the piece) can average about	50/	" 60/ "	50/	to 70/ per week.	50/	to 70/ per week.
Shoemakers do. do.	60/	" 70/ "	50/	" 70/ "	35/	" 50/ "
Iron-turners	1/2	" 1/4 per hour.	1/1½	" 1/4 per hour.	1/0½	to 1/4½ per hour.
Carpenters	1/3	" 1/5 "	1/3	" 1/5 "	1/3	" 1/5 "
Carpenters and joiners		10/	" 12/ per day.	9/	" 11/ per day.
Engine-fitters	1/2	" 1/4½ "	1/2	" 1/4 per hour.	1/11	" 1/4 per hour.
Coppersmiths	1/4	" 1/6 "	1/1	" 1/4 "	1/1	" 1/4½ "
General fitters	1/1	" 1/3½ "	1/	" 1/2 "	1/	" 1/2 "
Blacksmiths	1/2	" 1/7 "	1/2	" 1/5 "	1/2	" 1/5 "
Do. strikers	9/	" 1/11 "	8/	" 1/10 "	8/	" 1/10 "
Iron-moulders	1/3	" 1/5 "	1/	" 1/4 "	1/0½	" 1/4 "
Boiler-makers	1/2	" 1/4 "	1/	" 1/6 "	1/	" 1/6 "
Pattern-makers	1/2	" 1/4 "	1/1	" 1/4 "	1/1	" 1/4 "
Boiler-makers' assistants ...	8/	" 1/11 "	8/	" 1/10 "	8/	" 1/9 "
General labourers in iron works	7/	" 8/ "	7½	" 1/10 "	7½	" 1/10 "
Shipwrights		10/	" 12/ per day.	10/	" 12/ per day.
Brass-moulders	1/2	" 1/4 "	1/	to 1/2 per hour.	1/	" 1/2 per hour.
Carriage and waggon builders ...	1/1	" 1/4 "	} No alteration.		} No alteration.	
Carriage-painters	1/10	" 1/4 "				
Sawyers, in mill	1/10	" 1/3 "				
Brass-finishers	1/1	" 1/3 "	1/1	to 1/3 per hour.	1/1	to 1/4 per hour.
Machine-men, in fitting-shop ...		" 1/11 "	1/	" 1/2 "	1/	" 1/2 "

The above trades connected with the iron and engineering departments work eight hours a day, with one or two breaks.
 * The demand for miners at present is not great, and in many cases the men are only employed half-time.

The following quotations for the months of January, June, and October, 1878, are exclusive of rations or board, in town or country, which are not charged for:—

	January.		June.		October.		
	£ s.	£ s.	£ s.	£ s.	£ s.	£ s.	
Married couples for stations	55	0 to 65	0	per annum.	60	0 to 75	0 per annum.
Farm labourers	35	0	45	0	"	"	
Bullock-drivers	40	0	52	0	"	"	
Horse-team drivers	40	0	65	0	"	"	
Boundary-riders	40	0	52	0	"	"	
Stockmen	40	0	75	0	"	"	
Shepherds	35	0	45	0	"	"	
Road-makers	52	0	65	0	"	"	
Grooms	40	0	52	0	"	"	
Gardeners (country)	40	0	52	0	"	"	
" (in town)	52	0	65	0	"	"	
Blacksmiths (country)	75	0	100	0	"	"	
Bakers	1	10	3	0	per week.	"	
Butchers			2	10	"	"	
Cooks (private houses)	32	0	52	0	per annum.	"	
" (hotels)	52	0	65	0	"	"	
Laundresses	32	0	45	0	"	"	
House and parlour maids	26	0	40	0	"	"	
General female servants	26	0	45	0	"	"	
Nursemaids	20	0	35	0	"	"	
Grooms and coachmen (in town) ...	45	0	65	0	"	"	
Useful boys on stations	16	0	30	0	"	"	
Current rate of wages, without board or lodging:—			} No alteration.		} No alteration.		
Wheelwrights (country)	3	0	3	10	per week.	"	
Railway labourers	7	"	9	"	per day.	"	
Brick-makers	22/6	"	22/6	"	per 1,000.	"	
Potters	50/	"	50/	"	per week.	"	
Pipe-makers		50/	"	"	"	
Tinsmiths	9/	"	42/	"	63/ "	"	
Galvanized iron workers	10/	"	9/	"	10/ per day.	"	
(The two trades last mentioned work ten hours to the day.)							
Lumpers and wharf labourers—							
Daywork for handling general cargo ...	1/	"	"	"	"	"	
Do. do. coal	1/3	"	"	"	"	"	
Nightwork	1/6	"	} No alteration.		} No alteration.		
Plumbers	10/	"	"	"	"	"	
Gas-fitters	10/	"	"	"	"	"	
(These two trades work eight hours to the day.)							
Coopers (on odd jobs)	12/	"	12/	to 14/	per day.	"	
Do. on piece as follows:—							
Wine casks	22/6	"	} No alteration.		} No alteration.		
Oil casks	20/	"					
Tierces	3/6	"	4/	"	4/	"	
Hogsheads	5/6	"	6/	"	6/	"	
Ten-gallon kegs	3/	"	3/	"	3/	"	
Five do.	2/	"	2/3	"	2/3	"	
Two do.	1/9	"	1/9	"	1/9	"	
Tallow casks		14/6	"	14/6	"	

HOUSE RENT:—Small cottages and houses ranging from 8s. to 18s. per week and upwards.

STATISTICS—1878.

No. 23 (continued)—RETURN showing the CURRENT PRICES of CLOTHING and PROVISIONS.

WOMEN'S.		MEN'S.	
Blankets	7/6 to 15/ per pair.	Boots, strong	6/6 per pair.
Bonnets, straw	1/ " 3/ each.	Caps	2/ each.
Calico	1/3 " 6/ per yard.	Coats, shepherds'	12/ to 16/ "
Do. white... ..	1/4 " 7 1/2 " "	Frocks, duck	2/9 " 3/9 "
Dresses, merino or alpaca	7/6 " 16/6 each.	Handkerchiefs, cotton	1/4 " 1/6 "
Do. print	2/6 " 7/ " "	Hats, felt	2/ " 4/6 "
Do. muslin	4/ " 7/6 " "	Do. Manilla or Panama	2/6 " 6/ " "
Flannel	1/10 " 1/6 per yard.	Do. straw	1/ " 3/ " "
Mattresses	12/ " 20/ each.	Shirts, Crimean	3/6 " 6/6 "
Palliassees	10/ " 16/ " "	Do. white cotton	3/ " 4/6 "
Petticoats, calico	2/6 " 4/ " "	Do. coloured or striped cotton	2/ " 3/6 "
Do. flannel	4/ " 7/ " "	Do. flannel (under), or merino	3/6 " 6/ " "
Shawls, woollen or printed	5/ " 20/ " "	Shoes, strong	4/6 " 5/6 per pair.
Sheeting, grey calico	1/10 " 1/6 per yard.	Socks, cotton	1/6 " 1/10 "
Do. white	1/ " 2/ " "	Do. woollen	1/ " 1/6 "
Shifts	2/6 " 4/6 each.	Stockings, cotton	1/ " 2/ " "
Shoes	4/6 " 6/ per pair.	Do. woollen	2/ " 3/ " "
Stays... ..	2/6 " 5/6 each.	Trousers, common (tweed)	8/ " 12/ " "
Stockings	1/9 " 2/ per pair.	Do. duck	2/6 " 3/ " "
		Do. moleskin	5/6 " 7/ " "
		Vests, common (tweed)	4/ " 6/6 each.
		Suits, drill or moleskin	35/ " "
		Do. tweed or cloth	30/ to 40/ " "

PROVISIONS, &c., &c.

Retail Prices—Current Rates for the Months of January, June, and October, 1878.

Articles.	Quantity.	January.		June.		October.	
		s. d.	s. d.	s. d.	s. d.	s. d.	s. d.
Bacon... ..	Per lb.	0 7	to 0 10	0 10	to 1 0	0 6 1/2	to 0 9
Blue	0 10	" 1 0	0 10	" 1 0	0 10	" 1 0
Bread... ..	Per 2lb. loaf.	0 3	" 0 4	0 3	" 0 4	0 2 1/2	" 0 3 1/2
Butter, fresh	Per lb.	0 9	"	1 9	"	1 0	" 1 2
Do. salt	"	0 6	"	0 8	"	0 10	" 0 11
Candles, mould	"	0 5	" 0 6	0 5	" 0 6	0 5	" 0 6
Cheese, English	"	1 6	" 1 9	1 6	" 1 9	1 6	" 1 9
Do. New Zealand	"	1 0	"	1 2	"	0 10	" 1 2
Do. American	"	1 0	" 1 2	1 0	" 1 4	0 6	" 0 9
Do. Colonial	"	0 5	" 0 10	0 6	" 0 9	0 6	" 0 9
Coffee	"	1 4	" 1 6	1 4	" 1 6	1 4	" 1 6
Eggs	Per dozen	1 0	"	2 0	"	0 9	" 1 0
Flour, 1st	Per 100 lbs.	15 0	"	13 0	"	12 6	"
Do., 2nd	"	14 0	"	12 0	"	11 6	"
Milk	Per quart	0 4	" 0 6	0 4	" 0 6	0 4	" 0 6
Meat—beef, fresh	Per lb.	0 4	" 0 7	0 3	" 0 6	0 2 1/2	" 0 5
Do. do. salt	"	0 3	" 0 4 1/2	0 2 1/2	" 0 4	0 2	" 0 4
Do. mutton, fresh	"	0 3	" 0 5	0 2	" 0 4	0 2	" 0 4
Do. do. salt	"	0 3	" 0 4 1/2	0 2 1/2	"	0 2 1/2	"
Do. pork	"	0 5	" 0 8	0 5	" 0 6	0 5	" 0 6
Do. veal	"	0 6	" 0 8	0 6	" 0 7	0 6	" 0 7
Mustard	"	1 0	" 1 6	1 0	" 1 6	1 0	" 1 6
Oil—kerosene	Per gallon... ..	2 0	" 2 2	1 6	" 2 0	1 10	" 2 0
Oatmeal	Per lb.	0 3	" 0 3 1/2	0 3	"	0 3	"
Pepper	"	0 8	" 1 2	0 8	" 1 2	0 8	" 1 2
Potatoes	Per cwt.	6 0	" 10 0	4 6	" 5 6	5 6	" 7 0
Rice	Per lb.	0 2 1/2	" 0 3 1/2	0 2 1/2	" 0 3 1/2	0 2 1/2	" 0 3 1/2
Sago	"	0 4	"	0 4	"	0 4	"
Salt	Per cwt.	5 6	"	26 0	"		"
Soap	"	26 0	"		"		"
Starch	Per lb.	0 5	" 0 6		"		"
Sugar... ..	"	0 3 1/2	" 0 4 1/2	No alteration.		No alteration.	
Tea	"	1 4	" 2 6		"		"
Tobacco, American	"	3 9	" 4 6		"		"
Do. Colonial	"	1 6	" 2 6	2 6	"	2 6	"
Honey	"	0 6	"	0 6	"	0 6	"
Hay	Per ton	80 0	" 120 0	140 0	" 100 0	100 0	" 80 0
	{ Oaten	90 0	" 110 0	75 0	" 60 0	60 0	" 80 0
	{ Lucerne	40 0	" 60 0	40 0	" 60 0	40 0	" 60 0
	{ Grass		"		"		"
Maize	Per bushel	4 6	"	3 6	" 4 0	4 3	"
Oats	"	4 6	"	5 0	"	5 0	"
Bran	"	1 6	"	1 6	"	1 6	"
Pollard	"	1 6	"	1 6	"	1 6	"
Chaff... ..	Per cwt.	4 6	" 6 0	4 0	" 5 6	4 0	" 5 6
Coal	Per ton	20 0	" 25 0	20 0	" 25 0	20 0	" 25 0
Wood	"	16 0	"	16 0	"	16 0	"
Apples	Per dozen	0 6	" 1 0	0 6	" 2 0	1 6	"
Pine-apples	"	12 0	" 15 0	1 0	" 2 0	12 0	" 15 0
Strawberries... ..	Per quart	0 6	" 1 0		"		"
Bananas	Per dozen	0 6	" 1 0	0 4	" 1 0	1 0	" 1 6
Oranges	"	1 6	" 3 0	0 6	" 1 0	0 6	" 1 6
Turnips	Per dozen bunches	2 0	" 3 0	2 0	" 3 0	2 0	"
Onions	Per lb.	0 2	"	0 3	"	0 8	"
Cabbages	Per dozen	2 6	" 5 0	2 0	" 4 0	2 0	" 4 0
Carrots	Per dozen bunches	2 0	" 3 0	2 0	" 3 0	3 0	"
Pease... ..	Per peck	2 0	" 2 6		"		"
Parsnips	Per dozen bunches	2 0	" 3 0	3 0	" 4 0	4 0	"
French Beans	Per peck	1 0	" 1 6		"		"

PROVISIONS AND CLOTHING.

No. 24.—DECENNIAL RETURN showing the AVERAGE PRICES OF PROVISIONS AND CLOTHING IN SYDNEY.

ARTICLES OF CONSUMPTION.	QUANTITY.	1869.		1870.		1871.		1872.		1873.		1874.		1875.		1876.		1877.		1878.	
		s. d.	s. d.	s. d.	s. d.	s. d.	s. d.	s. d.	s. d.	s. d.	s. d.	s. d.	s. d.	s. d.	s. d.	s. d.	s. d.	s. d.	s. d.	s. d.	s. d.
Wheat	per bushel...	6 0		5 0 to 5 6		5 10		6 0		5 9		5 6 to 6 6		5 6		5 6 to 6 0		6 6 to 7 6		5 9	
Bread, 1st quality	per lb. ...	0 2		0 1½ to 0 2		0 2		0 2		0 2		0 1½ to 0 2		0 1½		0 1½ to 0 2		0 2 to 0 2½		0 2½	
Do. 2nd do.	do. ...	0 1½		0 1½		0 1½		0 1½		0 1½		0 1½ to 0 1½		0 1½		0 1½ to 0 1½		0 1½ to 0 2		0 2	
Flour, 1st quality	do. ...	0 1½		0 1½ to 0 1½		14 0 (#100 lbs.)		0 1½		14 0 (#100 lbs.)		0 1½		0 1½		0 2		0 2 to 0 2½		0 1½	
Do. 2nd do.	do. ...	0 1½		0 1½		12 0 do.		0 1½		12 0 do.		0 1½ to 0 1½		0 1½		0 1½		0 1½ to 0 2		0 1½	
Rice	do. ...	0 3		0 3		0 2½		0 2½ to 0 3		0 2½		0 2½ to 0 3		0 3		0 2½ to 0 3		0 2½ to 0 3		0 2	
Oatmeal	do. ...	0 4		0 4		0 2½		0 2½		0 2½		0 3½		0 3		0 2½ to 0 3½		0 3 to 0 3½		0 3	
Tea	do. ...	2 0		1 9 to 2 0		1 9 to 2 6		1 3 to 2 3		1 3 to 2 3		1 2 to 2 6		1 0 to 2 6		1 4 to 2 0		1 4 to 2 6		1 2	
Sugar	do. ...	0 4		0 4		0 3½ to 0 4½		0 4 to 0 4½		0 3½ to 0 4½		0 3½ to 0 4½		0 3½ to 0 5		0 3 to 0 4½		0 3 to 0 4½		0 3	
Coffee	do. ...	1 0		1 0 to 1 4		1 0		1 1		1 2		1 4		1 2		1 1 to 1 3		1 1 to 1 4		1 0	
Sago	do. ...	0 6		0 5		0 3		0 4½		0 4½		0 3½		0 3		0 4		0 4		0 3½	
Meat, Fresh	do. ...	0 2		0 3 to 0 4		0 2½		0 1½ to 0 3		0 2 to 0 3		0 3½ to 0 4½		0 3 to 0 4		0 3½ to 0 8		0 3½ to 0 6		0 4	
Do. Salt	do. ...	0 2½		0 2 to 0 3		0 1½		0 1½ to 0 3		0 3 to 0 4		0 1½ to 0 3½		0 2½ to 0 3		0 3 to 0 4		0 3½ to 0 4		0 2	
Butter, Fresh	do. ...	1 6		1 3		1 3		1 0		1 3		1 7		1 3		0 6 to 2 0		0 9 to 2 0		1 2	
Do. Salt	do. ...	1 3		1 0		1 0		0 10½		1 0		1 4		1 0		0 6 to 1 9		0 7 to 1 9		1 0	
Cheese, English	do. ...	1 6		1 6		1 0		1 6		1 0 to 1 2		1 6 to 1 8		1 4		1 2 to 1 4		1 2 to 1 8		1 2	
Do. Colonial	do. ...	0 6		0 6		0 6 to 0 9		0 9		0 4 to 0 6		0 6		0 9		0 6 to 0 8		0 4 to 0 8		0 6	
Salt	do. ...	0 1		0 1		0 0½		0 0½		65 0 to 80 0 (# ton.)		0 0½		0 1½		0 1		0 0½ to 0 1		0 0½	
Potatoes	per cwt. ...	4 0		5 0		4 0		5 0		3 6		4 0 to 5 6		5 6		4 6 to 5 0		4 0 to 5 6		5 10	
Wine, Colonial... ..	per gallon ...	5 0 to 12 0		3 0 to 9 6		2 6 to 8 6		5 0 to 30 0		3 0 to 7 0		3 6 to 5 6		4 0 to 12 0		2 6 to 5 6		2 6 to 5 0		4 0	
Do. Imported, best... ..	do. ... 20 0 # doz.			16 0 to 84 0 } # dozen.		10 0 to 25 0		35 0		8 0		3 0 to 21 0		20 0 to 30 0		12 0 to 16 0		12 0 to 17 6		14 6 to 16 0	
Brandy	do. ... 21 0 do.			35 0 to 65 0 } # dozen.		19 0		30 0 # doz.		18 0		4 0 to 8 6		20 0 to 22 6		20 0 to 22 0		18 0 to 20 0		19 6	
Beer, Colonial	do. ... 1 4			1 4		1 9 to 2 9		1 4		2 3		2 0		2 6 to 3 6		1 0 to 1 4		1 0 to 1 4		1 9	
Do. Imported... ..	do. ... 2 10 to 3 1			115 0 to 170 0 } # hogshead.		3 4		2 7		4 0		2 10 to 3 6		4 0		3 0		2 9 to 3 3		2 9	
Candles, Tallow	per lb. ...	0 5		0 5		0 5		0 4½		0 5		0 4½		0 4½		0 4½ to 0 5		0 4½ to 0 5		0 5	
Lamp Oil	per gallon ...	4 6 to 5 0		4 6 to 5 0		9 0 (Sperm)		6 0 to 9 0		7 0 (Sperm)		5 0		4 6		5 0 to 5 6			4 0	
Kerosene Oil	do. ...	2 6		2 6		3 0		2 0 to 3 0		2 0 to 3 9		2 6		2 0		2 3 to 3 6		2 10 to 3 6		1 7½ to 2 0	
Soap	per lb. ...	0 4		0 4		0 3		0 3		0 3		0 2½		0 3		0 2½ to 0 3		0 2½ to 0 3		0 2	
Starch	do. ...	0 8		0 7		0 4½		0 5		0 5		0 5 to 0 7½		0 5		0 4½ to 0 5		0 4½ to 0 5		0 5	
Blue	do. ...	1 4		1 2		0 10		0 10½		0 10		0 10		0 9		0 9 to 0 10		0 9 to 0 9½		0 9	
Tobacco, Colonial	do. ...	1 0		1 0 to 1 6		1 0		1 4		2 0		1 6 to 2 0		2 0		1 0 to 2 6		1 3 to 2 6		1 6	
Do. Imported	do. ...	3 6		3 6		3 0		3 6		3 6		3 0 to 3 7		3 9		2 6 to 3 3		3 0 to 4 0		2 9	

No. 24 (continued)—PROVISIONS AND CLOTHING—continued.

ARTICLES OF CLOTHING AND BEDDING.	QUANTITY.	1869.		1870.		1871.		1872.		1873.		1874.		1875.		1876.		1877.		1878.	
		s. d.	s. d.	s. d.	s. d.	s. d.	s. d.	s. d.	s. d.	s. d.	s. d.	s. d.	s. d.	s. d.	s. d.	s. d.	s. d.	s. d.	s. d.	s. d.	s. d.
<i>Male Clothing.</i>																					
Moleskin Jackets	each.	Pilot-Cloth Jackets. 14 0 to 18 0		12 6 to 25 0		10 6		3 6 to 10 6		10 6 to 25 0		8 0 to 12 0		7 6 to 12 6		8 0 to 10 0			13 0	
Do. Coats	do.		13 0		13 0		12 0 to 21 0		12 0 to 20 0		11 6 to 18 6		10 0 to 13 6			18 0	
Pilot Coats	do.		10 0 to 25 0		13 0	
Overcoats	do.		15 0 to 37 0	
Waistcoats	do.	6 9		5 6 to 6 6		4 6		4 6		4 6 to 7 0		3 0 to 5 0		5 0 to 9 6		4 0 to 5 0		4 0 to 6 0		
Moleskin Trousers	per pair.	7 0		5 6 to 8 0		6 0		6 6		6 6		4 6 to 9 0		4 0 to 9 0		2 11 to 10 6		2 6 to 9 0		5 3	
Flushing do.	do.	12 6		12 6		5 6		6 0		6 0		3 6 to 7 0		3 9 to 8 6		3 3 to 7 6			30 0	
Tweed do.	do.		12 6	
Coloured Shirts... ..	each.	3 3		2 6 to 5 0		3 3		3 6		3 6		1 6 to 4 6		1 9 to 9 6		1 3 to 10 6		1 0 to 10 6		3 6	
Strong Boots	per pair.	7 0		5 6 to 7 6		5 6		5 0		6 0		5 9 to 6 0		5 0 to 15 0		4 6 to 10 0		4 6 to 10 6		4 0	
Do. Shoes	do.	5 0		4 6 to 5 0		4 6		4 3		4 9		4 9 to 5 0		4 6 to 10 6		3 6 to 7 0		3 0 to 7 6		2 0	
Shepherds' Coats	each.	25 0		25 0		15 0		16 0		16 0		10 0 to 15 0		12 6 to 25 0		10 0 to 17 0		10 0 to 25 0		20 0	
Socks	per pair.	0 7 to 1 0		0 7 to 1 0		0 9		0 9		0 9		0 10		0 5 to 1 6		4 0 to 11 6		per dozen. 0 4 to 1 3		0 9	
Handkerchiefs, Cotton... ..	each.	0 6		0 4 to 0 6		0 6		0 6		0 6		0 4½ to 0 8		0 3 to 2 0		0 3 to 1 6		0 3 to 1 6		0 6	
Straw Hats	do.	2 6		2 6		2 6		2 9		2 6		2 6 to 3 6		1 6 to 7 0		1 1 to 7 6		1 1 to 10 6		2 0	
Colonial Manufactured Cabbage-tree Hats	do.		10 0 to 65 0		14 0	
<i>Female Clothing.</i>																					
Print Dresses	each.	7 0		6 0 to 7 0		7 0		7 6		7 6		7 6 to 12 0		5 0 to 10 6		5 0 to 10 0		7 6		5 0	
Merino do.	do.	10 0		10 0 to 30 0		10 0		11 6		11 0		15 0 to 30 0		15 0 to 30 6		12 6 to 17 0		15 0		8 0	
Flannel Petticoats	do.	5 6		5 6		5 6		5 6		6 6		3 6 to 8 0		2 6 to 5 3		3 0 to 8 0		6 0		3 6	
Calico do.	do.	3 4		3 0 to 4 0		0 7		0 9		1 0		4 0 to 8 0		1 3 to 3 0		1 3 to 3 6		2 6		3 0	
Stockings... ..	per pair.	1 6		1 6		1 8		1 8		1 6		0 6 to 1 0		0 7½ to 2 0		0 6 to 1 3		1 0		1 3	
Shoes	do.	4 3		4 0		3 9		3 0		3 9		4 0 to 4 3		3 0 to 5 0		1 6 to 4 6		3 0		1 0	
Caps	each.	1 0		1 0		1 3		0 3		0 9		1 6 to 2 6		0 9 to 1 3		0 7 to 3 0		0 7 to 2 6		2 6	
Shawls	do.	2 0 to 8 0		6 0 to 10 0		8 0		9 0		7 6		12 6 to 13 6		3 0 to 15 0		2 6 to 8 6		2 6 to 10 0		6 0	
Shifts	do.	3 8		3 6		3 11		1 0 to 4 0		3 6		3 6 to 4 6		1 9 to 4 6		1 3 to 4 6		1 3 to 4 9		3 6	
Stays	per pair.	1 6 to 3 6		2 6		1 0 to 3 6		1 0 to 3 6		2 6		5 0		2 0 to 7 6		1 3 to 8 0		1 3 to 8 6		4 0	
Check Aprons	each.	1 2		1 2		1 0		1 0		1 0		1 0		0 9 to 1 6		0 6½ to 1 3		0 6 to 1 2		1 0	
Straw Bonnets	do.	8 6		4 0		2 0		2 6		2 0		2 0 to 2 6		1 3 to 5 6		1 3 to 5 0			2 6	
Flannel	per yard.	1 10		1 9		2 6		2 6		2 0		2 0		1 0 to 3 9		0 10½ to 1 11		0 10 to 2 0		1 6	
Calico	do.	0 7 to 1 0		0 7		0 7		0 8		0 8		0 8 to 0 9		0 4 to 1 6		0 3½ to 0 10½		0 2½ to 1 6		0 6	
<i>Bedding.</i>																					
Blankets... ..	per pair.	18 0		18 0		9 0		10 6		10		12 6 to 20 0		7 6 to 30 0		7 6 to 30 0		7 6 to 35 0		16 0	
Sheeting Calico	per yard.	1 0 to 2 6		1 0 to 2 6		2 3		2 6		2 6		1 6 to 2 6		1 2 to 2 9		1 6 to 2 6		1 3 to 3 0		1 10	
Mattresses	each.	18 0 to 50 0		7 6 to 20 0		15 0 to 30 0		18 0 to 37 0		25 0		12 0 to 12 6		10 0 to 40 0		35 0 to 60 0		17 0 to 65 0		27 0	
Rugs	do.	6 9		6 9		6 9		8 0		8 6		7 0 to 10 0		5 0 to 21 0		5 0 to 22 6		5 0 to 30 0		7 0	

PART II.

RELIGION, EDUCATION, AND CRIME.

CONTENTS.

Number of Return.		Page.
25	Ecclesiastical—Expense of Establishment: The Number of Churches and Chapels, and their Sittings, and the average Attendance of Persons at same, &c.	26
26	Sunday Schools of the different Denominations—showing the Number of Teachers and the Average Attendance of Scholars	27
27	Ditto ditto (Decennial Return)	28
28	Private Schools, Teachers, and Scholars in each Police District	29
29	Summary of Schools, Teachers, and Scholars—showing the amounts paid by Government and received from Voluntary Contributions	30
30	Schools, Teachers, and Scholars—(Decennial Return)	30
31	University of Sydney—Decennial Return of the number of Students	31
32	Ditto ditto ditto Graduates	31
33	Ditto ditto Receipts and Expenditure	31
34	New South Wales Academy of Art	32
35	Art Gallery of New South Wales	32
36	Australian Museum—Number of Visitors, Cost of Erection, Receipts, &c.	33
37	Free Public Library	33
38	Schools of Art, Public Libraries, &c.—Amounts received from Government and Private Contributions; the Number of Volumes of Books in the Institutions, and the Number of Visits paid during the year	34
39	Number of Prisoners received in the several Gaols, and the Education of same	36
40	Ditto ditto ditto Police Gaols ditto	42
41	Number of Prisoners in Confinement in the Gaols at Michaelmas, &c., &c.	44
42	Ditto ditto Police Gaols ditto	50
43	Number of Persons received in the Gaols and Police Gaols... ..	52
44	Supreme and Circuit Court Cases—Commitments for Trial, Trials, Convictions, and Acquittals	53
45	Quarter Session Cases— ditto ditto ditto	55
46	Convictions in the Supreme and Circuit Courts and Courts of Quarter Sessions—(Decennial Return)	61
47	Criminals executed—Religion, Age, &c.	61
48	Ditto (Decennial Return)	61
49	Offences—Number reported to the Police	62
50	Apprehensions and Summonses—Number of Persons brought before the Magistrates' Courts, by Arrest, Warrant, or Summons; and how their Cases were disposed of	62
51	Summary Convictions—showing the Offences and kinds of Punishments inflicted	62
52	Indictments and Informations in the Supreme and Circuit Courts and Courts of Quarter Sessions	63
53	Summary Table showing the Number of Offences reported to the Police—Apprehensions, Convictions, and Acquittals, in the years 1876, 1877, and 1878	63
54	Apprehensions by the Police, and how disposed of in the Magistrates' Courts	64

ECCLESIASTICAL.

No. 25.—RETURN showing the Expense of the ECCLESIASTICAL ESTABLISHMENT in the Year 1878; also, the Number of Churches and Chapels, and their Sitzings, with the average Attendance on Sundays, &c.

DENOMINATION.	Number of Ministers registered under the Act 19 Vic. Nos. 30 and 31.	Expense.			Churches and Chapels.			All other Places used for Public Worship. Average Attendance.
		Salaries and Allowances.	From the Church and School Estates.	Total.	Number.	Total Number of individual Sitzings.	Average Attendance.	
Church of England—		£ s. d.	£ s. d.	£ s. d.				
Diocese of Sydney—								
City and Suburbs of Sydney ...	90	9,180 2 3	3,958 12 0	13,138 14 3	47	18,687	18,920	335
Country Districts ...					72	12,072	8,295	2,023
					119	30,759	27,215	2,358
Diocese of Newcastle ...	29	9,180 2 3	3,958 12 0	13,138 14 3	b 91	12,620	8,864	2,514
Diocese of Goulburn ...	38				93	10,984	6,658	3,397
Diocese of Bathurst ...	30				72	10,049	6,453	2,839
Diocese of Grafton and Armidale...	20				c 35	4,220	2,580	2,510
Roman Catholic Church—	207	9,180 2 3	3,958 12 0	13,138 14 3	410	68,632	51,770	13,618
Diocese of Sydney—								
City and Suburbs of Sydney ...	71				29	8,010	18,821
Country Districts ...					77	8,081	8,313	1,369
					106	16,091	27,134	1,369
Diocese of Maitland ...	28	4,550 0 0	2,265 13 0	6,815 13 0	51	6,396	8,625	1,171
Diocese of Goulburn ...	27				42	4,709	8,288	1,935
Diocese of Bathurst ...	24				53	6,484	5,909	3,523
Diocese of Armidale ...	14				21	2,350	2,155	660
	164	4,550 0 0	2,265 13 0	6,815 13 0	273	36,030	52,111	8,658
Presbyterian Church—								
Presbyterian Church of New South Wales—								
City and Suburbs of Sydney ...	72				16	6,543	4,180	70
Country Districts ...					119	15,870	8,507	5,355
					135	22,413	12,687	5,425
Presbyterian Church—Synod of Eastern Australia—								
Sydney ...	10	1,702 0 0	722 19 0	2,424 19 0	1	600	225
Country Districts ...					13	1,780	910	895
					14	2,380	1,135	895
Presbyterian Church, other than above stated—								
Country Districts ...	1			
	83	1,702 0 0	722 19 0	2,424 19 0	149	24,793	13,822	6,320
Wesleyan Methodist Church—								
City and Suburbs of Sydney ...	89	1,029 7 9	398 10 2	1,427 17 11	31	10,432	6,580	210
Country Districts ...					238	28,320	18,110	7,783
	89	1,029 7 9	398 10 2	1,427 17 11	269	38,752	24,690	7,993
Congregational Church (Independents)—								
City and Suburbs of Sydney ...	37	25	8,686	5,319	68
Country Districts ...					18	3,690	1,590	483
	37	43	12,376	6,909	551
Baptist Church—								
City and Suburbs of Sydney ...	14	5	1,880	980	20
Country Districts ...					13	1,790	840	710
	14	18	3,670	1,820	730
Primitive Methodist Church—								
City and Suburbs of Sydney ...	13	15	4,600	3,000	220
Country Districts ...					47	5,200	4,500	700
	13	62	9,800	7,500	920
Particular Baptist Church—								
Sydney ...	4	1	500	300	200
Country Districts ...					2	320	145	15
	4	3	820	445	215
United Methodist Free Church—								
City and Suburbs of Sydney ...	3	2	160	120
Country Districts ...					3	370	280	60
	3	5	530	400	60
United Free Gospel Church—Country	1	1	100	45

^a Includes one church belonging to the Wesleyans.

Exclusive of the District of Merriwa.

^c Includes four Union Churches.

^b Includes three Union Churches and one Episcopal Church; and one church which is closed.

STATISTICS—1878.

27

ECCLESIASTICAL—continued.

No. 25 (continued)—RETURN showing the Expense of the ECCLESIASTICAL ESTABLISHMENT in the Year 1878, and other particulars—continued.

DENOMINATION.	Number of Ministers registered under the Act 19 Vic. Nos. 30 and 34.	Expense.			Churches and Chapels.			All other Places used for Public Worship. Average Attendance.
		Salaries and Allowances.	From the Church and School Estates.	Total.	Number.	Total Number of individual Sitzings.	Average Attendance.	
Protestant Episcopal Church (U.S.)—Country ...	1	£ s. d.	£ s. d.	£ s. d.
German Lutheran Church—Country ...	2	2	50	50
Evangelical Lutheran—Country ...	1	3	300	200
German Evangelical—Sydney ...	2	3	600	300
" Country ...		1	1	60	60
Church of Christ—Sydney and Suburbs ...	2	4	660	360	40
Country Districts ...		2	2	620	270
Independent (Unconnected)—Country ...	3	2	70	35	70
Independent (Unconnected)—Country ...	1	4	690	305	120
Welsh Church—Country ...	1	1	220	150	163
Jews' Synagogue—City of Sydney	1	1	50	25
Unitarian Church—City ...	3	1	950	800
Independent Methodist Church—Sydney ...	1
Unsectarian—City ...	1
Unsectarian—City*	1	250	70
GENERAL TOTAL...	631	16,461 10 0	7,345 14 2	23,807 4 2	1,250	198,673	161,472	39,388
							200,860	

* Lay preachers.

SUNDAY SCHOOLS.

No. 26.—RETURN showing the Number of SUNDAY SCHOOLS of the several Denominations, in the Year 1878, as well as the Number of TEACHERS, the Number of CHILDREN on the Registers, and the Average Attendance of SCHOLARS.

DENOMINATION.	Number of Schools.	Number of Teachers.			Number of Children on the Registers.			Average Attendance of Children at Sunday School.			
		Male.	Female.	Total.	Male.	Female.	Total.	Male.	Female.	Total.	
Church of England.	Diocese of Sydney. { City and Suburbs of Sydney ... Country Districts	^a 47	298	497	795	5,666	6,309	11,975	3,865	4,481	8,346
		86	195	295	490	2,295	2,557	4,852	1,685	1,871	3,556
	Diocese of Newcastle ...	^b 133	493	792	1,285	7,961	8,866	16,827	5,550	6,352	11,902
	Diocese of Goulburn ...	74	165	282	447	2,154	2,435	4,589	1,646	1,916	3,562
	Diocese of Bathurst ...	66	122	230	352	1,783	2,027	3,810	1,315	1,496	2,811
	Diocese of Grafton & Armidale	66	137	236	373	2,039	2,248	4,287	1,485	1,660	3,145
		36	64	117	181	955	1,140	2,095	638	784	1,422
Roman Catholic Church.	Diocese of Sydney. { City and Suburbs of Sydney ... Country Districts	375	981	1,657	2,638	14,892	16,716	31,608	10,634	12,208	22,842
		27	244	358	602	2,919	3,552	6,471	2,302	2,753	5,055
	75	68	135	203	1,161	1,350	2,511	839	991	1,830	
	Diocese of Maitland ...	102	312	493	805	4,080	4,902	8,982	3,141	3,744	6,885
	Diocese of Goulburn ...	59	68	113	181	1,180	1,387	2,567	931	1,140	2,071
	Diocese of Bathurst ...	59	58	102	160	1,183	1,467	2,650	986	1,220	2,206
Diocese of Armidale ...	57	39	124	163	1,210	1,869	3,079	997	1,616	2,613	
	48	45	58	103	620	695	1,315	522	612	1,134	
Presbyterian Church.	Presbyterian Church of New South Wales. { City and Suburbs of Sydney ... Country Districts	325	522	890	1,412	8,273	10,320	18,593	6,577	8,332	14,909
		21	152	187	339	1,497	1,617	3,114	1,098	1,253	2,351
	93	213	288	501	2,074	2,333	4,407	1,594	1,851	3,445	
	114	365	475	840	3,571	3,950	7,521	2,692	3,104	5,796	
	Presbyterian Church, Synod of Eastern Australia. { Sydney ... Country Districts	1	5	4	9	24	36	60	18	29	47
	12	19	20	39	186	236	422	147	190	337	
Presbyterian Church other than above stated ... { Sydney ... Country Districts	13	24	24	48	210	272	482	165	219	384	
1	1	3	4	30	40	70	25	30	55		
128	390	502	892	3,811	4,262	8,073	2,882	3,353	6,235		

^a The number of Teachers not given in one School.^b No return received from the Clergyman in the Merriwa District.

STATISTICS—1878.

SUNDAY SCHOOLS—*continued.*No. 26 (continued)—RETURN showing the Number of SUNDAY SCHOOLS, &c.—*continued.*

DENOMINATION.	Number of Schools.	Number of Teachers.			Number of Children on the Registers.			Average Attendance of Children at Sunday School.			
		Male.	Female.	Total.	Male.	Female.	Total.	Male.	Female.	Total.	
Wesleyan Methodist Church	{ City and Suburbs of Sydney	30	245	241	486	2,069	2,395	4,464	1,501	1,791	3,292
	{ Country Districts ...	194	638	669	1,307	5,037	5,403	10,440	3,793	4,203	7,996
		224	883	910	1,793	7,106	7,798	14,904	5,294	5,994	11,288
Congregational Church (Independents)	{ City and Suburbs of Sydney	29	191	231	422	2,193	2,331	4,524	1,478	1,369	2,847
	{ Country Districts ...	21	69	66	135	549	612	1,161	400	458	858
		50	260	297	557	2,742	2,943	5,685	1,878	1,827	3,705
Baptist Church	{ City and Suburbs of Sydney	7	36	34	70	368	385	753	275	306	581
	{ Country Districts ...	17	48	32	80	270	286	556	210	224	434
		24	84	66	150	638	671	1,309	485	530	1,015
Primitive Methodist Church.	{ City and Suburbs of Sydney	15	90	95	185	1,000	1,200	2,200	730	800	1,530
	{ Country Districts ...	35	140	130	270	1,230	1,200	2,430	1,000	1,120	2,120
		50	230	225	455	2,230	2,400	4,630	1,730	1,920	3,650
Particular Baptist Church.	{ Sydney ...	1	8	4	12	40	42	82	30	35	65
	{ Country Districts ...	2	7	6	13	59	73	132	44	51	95
		3	15	10	25	99	115	214	74	86	160
United Methodist Free Church	{ Suburbs of Sydney	2	10	6	16	55	65	120	44	53	97
	{ Country Districts ...	4	18	12	30	78	104	182	61	90	151
		6	28	18	46	133	169	302	105	143	248
United Free Gospel Church—Country		1	1	...	1	5	...	5	3	...	3
Protestant Episcopal Church (U.S.)—Country	
German Lutheran Church—Country	
Evangelical Lutheran—Country	
German Evangelical	{ Sydney ...	2	2	2	4	20	30	50	15	25	40
	{ Country ...	1	3	4	7	20	35	55	15	32	47
		3	5	6	11	40	65	105	30	57	87
Church of Christ	{ City and Suburbs of Sydney...	3	17	14	31	125	130	255	85	95	180
	{ Country Districts ...	1	2	...	2	7	9	16	7	9	16
		4	19	14	33	132	139	271	92	104	196
Independent (Unconnected)—Country	
Welsh Church		1	3	...	3	17	13	30	14	12	26
Jews' Synagogue—City of Sydney...		1	4	18	22	37	73	110	29	63	92
Independent Methodist Church	
Unsectarian		1	12	13	25	75	100	175	50	70	120
GENERAL TOTAL.		1,196	3,437	4,626	8,063	40,230	45,784	86,014	29,877	34,699	64,576

No. 27.—DECENNIAL RETURN of the Number of SUNDAY SCHOOLS, TEACHERS, and SCHOLARS.

Year.	Number of Schools.	Number of Teachers.	Average Attendance.		
			Male.	Female.	Total.
1869	805	5,425	23,185	24,896	48,081
1870	860	5,674	24,993	27,334	52,327
1871	933	6,049	24,279	27,168	51,447
1872	962	6,234	22,923	26,104	49,027
1873	1,023	6,497	24,207	27,267	51,474
1874	1,037	6,679	24,624	27,460	52,084
1875	1,012	6,731	25,568	28,900	54,468
1876	1,058	7,099	27,443	31,394	58,837
1877	1,121	7,615	28,943	33,094	62,037
1878	1,196	8,063	29,877	34,699	64,576

STATISTICS—1878.

29

EDUCATION.

PRIVATE SCHOOLS.

No. 28.—RETURN showing the number of PRIVATE SCHOOLS, TEACHERS, and SCHOLARS, in each POLICE DISTRICT of the Colony, in the Year 1878.

POLICE DISTRICTS.	Number of Schools.				Number of Teachers.			Number of Scholars.		
	Boys.	Girls.	Mixed.	Total.	Male.	Female.	Total.	Male.	Female.	Total.
Albury		1	10	11	4	9	13	78	117	195
Armidale		1	8	9	4	8	12	38	90	128
Balranald			1	1		2	2	9	28	37
Bathurst	3	4	11	18	17	32	49	288	336	624
Bega			2	2		2	2	5	28	33
Berrima	2	1	1	4	9	4	13	79	19	98
Bombala			2	2	2		2	15	12	27
Boorowa			1	1		1	1	8	19	27
Bourke			2	2		3	3	44	58	102
Braidwood... ..		1		1		2	2		37	37
Brisbane Water			2	2	2		2	11	13	24
Broulee										
Camden, Narellan, and Picton			2	2		2	2	16	24	40
Campbelltown										
Carcoar			4	4		8	8	60	79	148
Cassilis	1		1	2	1	2	3	8	27	35
Cooma			1	1	1		1	6	4	10
Coonamble... ..			1	1		2	2	10	15	25
Cowra			1	1	1		1	10	12	22
Deniliquin	1	1	4	6	3	9	12	97	88	185
Dowling			1	1	1		1	6	6	12
Dubbo		2	12	14	8	9	17	89	136	225
Dungog										
Eden										
Forbes	1	2	10	13	4	12	16	192	228	420
Glen Innes... ..			3	3	1	2	3	20	21	41
Goulburn	2	2	9	13	10	14	24	166	240	406
Grafton	1	2	6	9	4	14	18	90	169	259
Grenfell			3	3	1	2	3	62	88	150
Gundagai			6	6	2	5	7	95	75	170
Hartley			1	1		1	1	19	21	40
Inverell			2	2		3	3	23	30	53
Kiama		2		2		2	2		30	30
Liverpool			1	1		1	1	6	7	13
Macleay River			2	2	1	1	2	24	26	50
Maitland	6	4	11	21	18	35	53	346	353	699
Manning River										
Metropolitan	29	42	187	258	122	434	556	4,364	6,283	10,647
Mitchell			1	1		1	1	6	7	13
Moama										
Molong			1	1		1	1	6	18	24
Mudgee		3	6	9	1	13	14	51	138	189
Murrurundi	1		1	2	2		2	33	29	62
Muswellbrook										
Narrabri			1	1		1	1	5	16	21
Newcastle	2		12	14	6	8	14	258	278	536
Orange	1	1	4	6	1	11	12	98	105	203
Oxley			10	10	5	7	12	76	110	186
Parramatta	4	7	8	19	16	29	45	336	385	721
Paterson			1	1		1	1	8	6	14
Patrick's Plains	1		4	5	3	14	17	55	96	151
Penrith			2	2		2	2	24	41	65
Port Macquarie			1	1		1	1	8	9	17
Port Stephens										
Queanbeyan			2	2	2		2	10	8	18
Raymond Terrace... ..			1	1		2	2	7	30	37
Richmond River	2			2	1	1	2	38	8	46
Rylstone			1	1	1		1	10	6	16
Scone			4	4	1	3	4	43	44	87
Shoalhaven			3	3	2	1	3	24	52	76
Tamworth	1		4	5	2	6	8	28	73	101
Tenterfield			4	4	1	4	5	36	51	87
Tumut			2	2	2		2	21	15	36
Tweed River										
Vegetable Creek			1	1	2	1	3	82	61	143
Wagga Wagga		3	5	8	2	11	13	55	153	208
Walgett										
Warialda										
Wellington			4	4	1	6	7	65	75	140
Wentworth			1	1		2	2	15	30	45
Windsor	1	2	1	4	2	8	10	57	111	168
Wollombi										
Wollongong	1	1	1	3	1	6	7	41	77	118
Yass		1	4	5	3	10	13	35	122	157
Young		1	1	2		3	3	8	38	46
GENERAL TOTAL....	60	84	399	543	273	774	1,047	7,832	10,911	18,743

STATISTICS—1878.

EDUCATION—continued.

SUMMARY OF SCHOOLS, TEACHERS, AND SCHOLARS, &c.

No. 29.—RETURN showing the Number of SCHOOLS and TEACHERS, and the Number of SCHOLARS in the Colony, in the Year 1878; also, the AMOUNTS paid by GOVERNMENT, and received from VOLUNTARY CONTRIBUTIONS, &c.

	Number of Schools.				Number of Teachers.			Number of Scholars.			Amounts paid by Government from the Colonial Treasury in the Year 1878.	Amounts received from Voluntary Contributions, Fees, and other Sources, in the Year 1878.	Total.		
	M.	F.	Mixed	Total.	M.	F.	Total.	M.	F.	Total.					
Orphan Schools—															
Protestant			1	1	1	2	3	172	78	250	} £ s. d. 7,602 6 8	} £ s. d.	} £ s. d. 7,602 6 8		
Roman Catholic			1	1	3	2	5	186	154	340					
Total of Orphan Schools			2	2	4	4	8	358	232	590	7,602 6 8	7,602 6 8		
Asylum for Destitute Children			1	1	3	6	9	346	233	584	*10,873 4 7	3,463 17 1	14,337 1 8		
Industrial Schools—															
Nautical School Ship "Vernon"	1			1	4		4	105		105	} 3,666 14 5	}	} 3,666 14 5		
Industrial School for Girls		1		1		1	1	12	76	88				2,220 11 4	2,220 11 4
Reformatory for Girls		1		1		2	2		5	5				2,371 5 11	2,371 5 11
Reformatory for Boys, South Head														1,262 4 4	1,262 4 4
Total of Industrial Schools	1	2		3	4	3	7	117	81	198	9,520 16 0	9,520 16 0		
Council of Education—															
Public Schools			620	620	653	440	1,093	43,251	37,978	81,229	} 46,062 17 2½	} 3,925 16 7½	} 421,866 14 6½		
Provisional Schools			285	285	133	138	271	4,761	4,770	9,531				3,925 16 7½	694 14 0½
Half-time Schools			115	115	55		55	1,220	1,117	2,337				50,683 7 10	
Total			1,020	1,020	841	578	1,419	49,232	43,865	93,097	50,683 7 10				
Denominational Schools—															
Church of England			73	73	80	109	189	8,976	7,872	16,848	} 352,838 5 8	} 9,120 11 2½	} 421,866 14 6½		
Roman Catholic			83	83	99	90	189	8,385	7,099	15,484				9,120 11 2½	7,917 6 3½
Presbyterian			5	5	5	5	10	497	391	888				473 18 10½	473 18 10½
Wesleyan			7	7	6	9	15	860	757	1,617				771 5 2½	771 5 2½
Hebrew			1	1	1	2	3	108	83	191				61 19 5	61 19 5
Total, Denominational Schools			169	169	191	215	406	18,826	16,202	35,028	18,345 1 0½				
Total of Schools under Council of Education			1,189	1,189	1,032	793	1,825	68,058	60,067	128,125	352,838 5 8	69,023 8 10½	421,866 14 6½		
Total of Orphan and Industrial Schools and Schools under the Council of Education	1	2	1,192	1,195	1,043	806	1,849	68,879	60,618	129,497	330,834 12 11	72,492 5 11½	453,326 18 10½		
University of Sydney	1			1	6		6	62		62	*6,168 0 0	3,880 7 7	10,048 7 7		
St. Paul's College	1			1	3		3	6		6	500 0 0	321 0 0	821 0 0		
St. John's College	1			1	3		3	10		10	500 0 0	1,011 3 5	1,511 3 5		
St. Andrew's College	1			1	1		1	19		19	1,100 0 0	2,098 2 0	3,198 2 0		
Sydney Grammar School	1			1	15		15	396		396	1,500 0 0	5,522 3 0	7,022 3 0		
Deaf and Dumb and Blind Institution			1	1	1	3	4	29	26	55	450 0 0	2,540 0 9	2,990 0 9		
Private Schools	60	84	399	543	273	774	1,047	7,832	10,911	18,743		
General Total	66	86	1,592	1,744	1,345	1,583	2,928	77,233	71,555	148,788	391,052 12 11	87,865 2 8½	478,917 15 7½		

* Includes £6,873 4s. 7d. for maintenance of children received from the Benevolent Asylum, Sydney. ^b Includes £2,838 5s. 8d. from the Clergy and School Estates Revenue Fund. ^c Includes special payment of £1,168, of which sum £1,000 was for philosophical apparatus. ^d Includes £600 on account of Building.

No. 30.—DECENNIAL RETURN of the Number of SCHOOLS, TEACHERS, and SCHOLARS.

Year.	Number of Schools.	Number of Teachers.			Number of Scholars.		
		Males.	Females.	Total.	Males.	Females.	Total.
1869	1,304	982	894	1,876	37,388	34,135	71,523
1870	1,381	1,084	968	2,052	39,374	35,129	74,503
1871	1,450	1,090	999	2,089	40,853	37,036	77,889
1872	1,464	1,111	1,140	2,251	56,418	50,273	106,691
1873	1,508	1,148	1,186	2,334	57,917	52,370	110,287
1874	1,547	1,184	1,254	2,438	58,076	61,057	119,133
1875	1,586	1,234	1,308	2,542	64,915	59,841	124,756
1876	1,629	1,267	1,382	2,649	68,802	62,818	131,620
1877	1,695	1,260	1,528	2,788	72,213	66,054	138,267
1878	1,744	1,345	1,583	2,928	77,233	71,555	148,788

STATISTICS—1878.

31

UNIVERSITY OF SYDNEY.

No. 31.—DECENNIAL RETURN of the Number of STUDENTS.

Year.	Number of Students matriculated.	Number of Students attending Lectures.	Public Examinations.			
			Number of Seniors who came up.	Number of Juniors who came up.	Number of Seniors who passed.	Number of Juniors who passed.
1869	19	41	9	20	7	14
1870	17	41	11	33	9	27
1871	16	45	42	137	22	64
1872	14	39	61	130	22	97
1873	22	47	63	173	45	103
1874	20	46	63	214	40	131
1875	22	48	65	297	45	149
1876	34	58	53	356	40	212
1877	23	61	63	303	38	135
1878	24	62	58	364	41	243

NOTE.—The Public Examinations are similar to the *Middle Class* Examinations of Oxford and Cambridge. They are held annually, in November, and are intended to test the qualifications of boys attending schools or being instructed privately. They are divided into Senior and Junior, and certificates of competency in the *several* subjects of examination are given to the successful candidates. These examinations are *distinct* from the examination for the Civil Service.

No. 32.—DECENNIAL RETURN of the Number of GRADUATES.

Year.	B.A.	M.A.	M.B.	M.D.	LL.B.	LL.D.	Total.
1869	11	7	3	...	21
1870	12	9	4	2	27
1871	9	7	2	...	3	...	21
1872	11	7	...	3	1	...	22
1873	10	6	1	1	1	3	22
1874	14	6	2	2	...	1	25
1875	7	11	...	1	19
1876	11	17	1	...	29
1877	12	6	...	2	...	2	22
1878	11	8	1	20
Total	108	84	9	9	9	9	228

No. 33.—DECENNIAL RETURN of RECEIPTS and EXPENDITURE of the UNIVERSITY OF SYDNEY.

Year.	Receipts.				Expenditure.
	Government Aid.	College Fees.	Other Sources.	Total.	
1869	£ 5,000	£ s. d. 274 10 9	£ s. d. 1,024 1 9	£ s. d. 6,298 12 6	£ s. d. 6,599 1 4
1870	5,000	245 19 8	692 0 8	5,938 0 4	5,634 2 3
1871	5,600	289 3 6	1,259 3 3	6,548 6 9	6,705 9 5
1872	5,000	303 5 3	1,249 1 11	6,552 7 2	6,517 16 11
1873	5,000	372 4 6	1,301 3 10	6,673 8 4	6,410 0 1
1874	5,000	366 10 9	2,498 14 6	7,865 5 3	8,117 5 9
1875	5,000	366 8 9	1,634 3 10	7,000 12 7	7,232 16 0
1876	5,000	403 4 6	4,904 13 10	10,307 18 4	10,681 11 8
1877	5,000	333 18 0	6,261 15 4	11,595 13 4	9,616 17 3
1878	6,168	324 6 6	3,556 1 1	10,048 7 7	10,849 14 10

NOTE.—In some years the total receipts do not correspond with the figures given in the Statistical Registers.

NEW SOUTH WALES ACADEMY OF ART.

No. 34.—RETURN of the NEW SOUTH WALES ACADEMY OF ART, for the Year ending 31st May, 1879.

Hours between which it is open.	Date when first opened.	Amount of aid from the Government.		Amount of Private Contributions.		Number of			Number of Students.	
		Prior to 31st May, 1878.	During the twelve months ending 31st May, 1879.	Prior to 31st May, 1878.	During the twelve months ending 31st May, 1879.	Oil Paintings.	Water-colour and other Drawings, Engravings, Photographs, &c.	Statuary and other Works of Art.	Males.	Females.
Daily from 9 a.m. to 4 p.m. to members and students. Tuesdays and Thursdays, from 10 a.m. to 1 p.m. for "Drawing Classes." Wednesdays and Saturdays, from noon till dusk, open to the public, free, in conjunction with the Art Gallery of New South Wales.	Founded, 24th April, 1871. Present premises opened, 1st May, 1875.	£795 16s. 8d. towards rent of premises and wages to door-keeper.	£225 towards rent of premises and wages to door-keeper.	£1,157 2s., subscriptions from members. £52 10s., for purchase of oil painting by subscription. £446 11s., subscriptions to "Art Union," distributed in works of art. In all £1,656 3s.	£120 15s., subscriptions from members.	1 purchased by subscription, £52 10. 3 presented.	2 water colours presented. 1 crayon presented. Sundry engravings presented.	About 170 casts purchased by the Council, £87 8s. 6d. 2 cases small casts presented. 1 cast presented by Trustees of Melbourne Library. 20 volumes of books on art subjects purchased by Council, £60.	10	22

NOTE.—Prior to 31st May, 1877, £642 9s. were received for sale of works of art by colonial artists on commission.

ART GALLERY OF NEW SOUTH WALES.

No. 35.—RETURN of the ART GALLERY of New South Wales, for the Year ending 31st May, 1879.

Hours between which it is open.	Date when first opened.	Amount of aid from the Government.		Number of			Presentation.
		Prior to 31st May, 1878.	During the twelve months ending 31st May, 1879.	Oil Paintings.	Water-colour and other Drawings, Engravings, Photographs, &c.	Statuary and other Works of Art.	
Wednesdays and Saturdays, from noon till dusk, and at all other times during day-light by application to the Housekeeper.	June 1876, in connection with the New South Wales Academy of Art.	£ s. d. 2,204 3 4 333 6 8 Less lapsed vote	£775 for purchase of Works of Art.	Twelve £ s. d. 2,225 15 6 Purchased by Trustees. One of the above, the size of which necessarily excludes it from the present Gallery, is hung in the Museum.	Nineteen £ s. d. 1,066 8 6 Purchased by Trustees. Autotypes 100 0 0 Collection purchased by Trustees. One engraving ... 4 10 0 Purchased by Trustees.	Nil.	One oil painting. Presented by G. Knox, Esq.
		In all £4,045 16s. 8d.		In all £ s. d. 3,396 14 0 Sundry expenses—freight, frames, insurance, &c. 193 4 6 Total expended on Works of Art £3,589 18 6			

Total expenditure	£ s. d. 3,589 18 6
Remittances to England not yet appropriated	1,047 1 5
Cash balance to credit of Trustees	8 16 9
	<u>£4,645 16 8</u>

AUSTRALIAN MUSEUM.

No. 36.—RETURN of the AUSTRALIAN MUSEUM for the Year ending 31 December, 1878.

Hours between which it is open.	Number of Visitors during the Year.	Cost of Erection.	Receipts from Government.	Expenditure.		
				Maintenance.		Total.
				Purchases, &c.	Salaries and Wages.	
Summer—12 to 5 o'clock. Winter—12 to 4 o'clock.	96,830	Cost of Old Building, £8,260 4s. 11d.; New Wing, £25,511 7s. 4d.; total, £33,771 12s. 3d.; and Dwarf Wall, £977 10s.	£ s. d. 3,335 12 10	£ s. d. 1,930 2 8	£ s. d. 1,405 10 2	£ s. d. 3,335 12 10

795—E

FREE PUBLIC LIBRARY.

No. 37.—RETURN of the FREE PUBLIC LIBRARY, for the Year ending 31st December, 1878.

Hours between which it is open.	Cost of Purchase.	Amount of Aid from Government.		Private Contributions.						Number of Volumes, Pamphlets, and Parts in Library.	Number of Visits during 1878.
		Prior to 1878.	During 1878.	Prior to 1878.			During 1878.				
				Number of Vols.	Number of Objects.	Estimated Value.	Number of Vols.	Number of Objects.	Estimated Value.		
		Donations.	Donations.		Donations.	Donations.					
Reference Library:— 10 o'clock a.m. to 10 o'clock p.m.	£ s. d. 5,400 0 0	£ s. d. 23,008 5 8	£ s. d. 3,330 0 0	1,309	73	£ s. d. 1,218 12 6	254	£ s. d. 101 14 0	23,972	97,053
Lending Branch:— 1 o'clock to 7 o'clock p.m.	676 13 4	2,548 0 0	18	NIL	1 5 0	1	0 6 0	8,171	19,994
	5,400 0 0	23,684 19 0	5,878 0 0	1,327	73	1,219 17 6	255	102 0 0	37,143	117,047

STATISTICS—1878.

SCHOOLS OF ART, PUBLIC LIBRARIES, &c.

No. 38.—RETURN of the Number of SCHOOLS OF ART, PUBLIC LIBRARIES, &c., in the Colony of New South Wales, showing the Date when first Opened, whether Freehold or Leasehold, Cost of Erection, the Amount received from Government and from Private Contributions, the Number of Volumes of Books, and the Number of Visits paid during the Year ending 31st December, 1878.

Name of Institution.	Date when first opened.	Whether Freehold or Leasehold.	If Freehold, cost of erection.	Receipts during the year 1878.				Total number of Volumes in the Institution.	Hours during which it is open.	Total number of Visits paid during the Year.
				From Government.	Private Contributions.	Total.	Books (Private Contributions).			
Albury Mechanics' Institute	£	£ s. d.	£ s. d.	£ s. d.	No. of Vols.	
Armidale Literary Institute	— April, 1867	Freehold	800	14 14 3	38 19 6	53 13 9	2,150	10 a.m. to 1 p.m., 2.30 to 5.30 p.m., 7 to 9.30 p.m.	9,551
Anvil Creek School of Arts	28 Aug., 1877	Freehold	132	65 15 9	23 10 3	89 6 0	7 to 10 p.m. daily	313
Ballina School of Arts	11 April, 1874	Leasehold	85 0 0	85 0 0	360	4 to 6 p.m. on Saturday
Balmain School of Arts	1 Oct., 1858	Freehold	3,000	450	7 to 10 p.m. daily
Balmain Working Men's Institute	1 June, 1865	Leasehold	38 0 0	70 16 6	108 16 6	582	7 p.m. to 10 p.m. daily; Saturday 3 p.m. to 11 p.m.	4,600
Bathurst Mechanics' School of Arts..... 1859	Freehold	9,000	102 17 6	205 15 0	308 12 6	3	5,749	10 a.m. to 10 p.m.
Bega School of Arts	31 Aug., 1869	Freehold	800	52 0 6	158 14 10	210 15 4	1,000	9 a.m. to 10 p.m. daily
			and additions							
			1,000							
Bellambi and Bulli School of Arts	1 Jan., 1862	Freehold	321	1 4 0	1 4 0	280	Only occasionally
Bombala School of Arts and Mechanics' Institute...	28 Nov., 1872	Freehold	2,118	520 12 3	60 7 0	580 19 3	8	953	10 a.m. to 10 p.m.
Botany Mechanics' Institute	7 Aug., 1867	Freehold	500	73 18 3	149 18 0	223 16 3	413	7.30 to 9.30 p.m. (four evenings weekly).	927
Bourke Mechanics' Institute and School of Arts ...	3 July, 1871	Temporary building	52 18 6	42 0 0	94 18 6	520	8 to 10 p.m. (three times a week)..	2,000
Braidwood Literary Institute 1858	Freehold	2,051	75 0 0	161 18 0	236 18 0	2,700
Branxton Mechanics' Institute	— Jan., 1866	Freehold	210	39 0 0	39 0 0	386	7 to 10 p.m.	570
Cambewarra School of Arts	58 17 3	117 14 6	176 11 9
Camden School of Arts	26 Oct., 1866	Freehold	1,250	14 2 0	56 6 0	70 8 0	11	754	9 a.m. to 10 p.m.	1,200
Clarence Town School of Arts*	Freehold	41 17 0	91 14 0	133 11 0
Casino School of Arts	18 Sept., 1875	76 16 6	168 12 5	245 8 11	82	510	9 a.m. to 9 p.m.
Charlestown Literary Institute	15 Sept., 1877	Freehold	89	22 15 9	80 13 7	103 9 4	38	84	8 a.m. to 10 p.m.
Cooma Mechanics' School of Arts 1866	Leasehold	238 0 0	129 0 0	367 0 0	528	7.30 to 9.30 p.m. on week days; 2 to 6 p.m. on Sundays.	700
Coonabarabran Mechanics' Institute	1 Oct., 1875	Freehold	277	101 6 4	101 6 8	202 13 0	4	405	9 a.m. to 6 p.m., 8 to 10 p.m., Monday and Thursday.
Corowa Mechanics' Institute	21 April, 1873	Freehold	850	31 11 3	63 2 6	94 13 9	500	7 to 10 p.m.
Deniliquin Mechanics' Institute and School of Arts	5 July, 1875	Freehold	200	44 15 2	64 3 0	108 18 2	10	210	10 to 12 a.m., 2 to 5 p.m., 7 to 10 p.m.	3,000
Denman School of Arts	5 Mar., 1872	Freehold	457	39 12 6	79 5 0	118 17 6	5	700	Wednesday in each week
Dubbo Mechanics' Institute 1868	Freehold	1,200	61 17 6	123 15 0	185 12 6	23	1,700	9 a.m. to 10 p.m.
Dungog School of Arts	1 July, 1872	Freehold	260	28 19 5	57 18 11	86 18 4	437	8 a.m. to 9.30 p.m.
East Maitland Mechanics' Institute 1859	Freehold	2,000	36 14 3	73 8 6	110 2 9	1,975	8 a.m. to 10 p.m.
Forbes School of Arts	4 Feb., 1867	Freehold	89 0 0	89 0 0	560	8 to 10 p.m. summer months; 7.30 to 10 p.m. winter months; reading-room 9 a.m. to 10 p.m.	1,560
Frederickton School of Arts	11 Oct., 1871	Freehold	275	10 18 0	21 16 0	32 14 0	2	321	9 a.m. to 10 p.m.
Gladstone School of Arts 1873	Room in Council Chambers	145 7 9	68 7 0	213 14 9	1,510	9 a.m. to 10 p.m.
Goulburn Mechanics' Institute 1860	Freehold	3,500	75 0 0	582 10 7	657 10 7	2,504	9 a.m. to 10 p.m.
Grafton School of Arts	3 July, 1858	Freehold	about 2,000	59 4 9	111 12 6	170 17 3	1,643	8 a.m. to 10 p.m.
Grenfell School of Arts. (Closed.)
Greta Mechanics' and Miners' Institute	21 Aug., 1876	Freehold	330	61 11 7	7 7 0	68 18 7	110	9 a.m. to 9.30 p.m.
Gundagai Literary Institute. (Closed)	17 June, 1873
Guntawang School of Arts	16 Feb., 1872	Held in Public School	4 16 0	9 12 0	14 8 0	1	441	10 a.m. to 8 p.m.
Hamilton Mechanics' Institute	11 June, 1872	Freehold	150	44 11 1	37 6 9	81 17 10	600	10 a.m. to 9 p.m.
Hinton School of Arts	— Sept., 1869	Freehold	929	19 8 9	38 17 6	58 6 3	412	9 a.m. to 10 p.m.

* Formed, 22nd January, 1873; building in course of erection.

No. 38 (continued).—RETURN of SCHOOLS OF ART, PUBLIC LIBRARIES, &c.—continued.

Name of Institution.	Date when first opened.	Whether Freehold or Leasehold.	If Freehold, cost of erection.	Receipts during the year 1878.				Total number of Volumes in the Institution.	Hours during which it is opened.	Total number of visits paid during the year.
				From Government.	Private contributions.	Total.	Books (Private Contributions).			
Inverell Public Library and Reading Room	2 Aug., 1875	Freehold	£ Unknown...	£ s. d.	£ s. d.	£ s. d.	No. of Vols.	750	10 a.m. to 9 p.m.	(abt) 4,680
Kiama Free Public Library	22 Sept., 1872	Leasehold	34 6 6	34 6 6	1,272	12 to 2 p.m. daily	334
Lambton Mechanics' and Miners' Institute	24 Dec., 1867	Freehold	300 and 200 for additions	38 0 0	259 15 6	297 15 6	62	1,451	8 a.m. to 10 p.m.
Largs School of Arts	6 May, 1875	Freehold	494	64 16 3	129 12 6	194 8 9	11	116	7-30 to 10 p.m. Thur. and Sat.
Merriwa School of Arts	14 June, 1869	Freehold	550	8 6 0	60 17 2	69 3 2	325	8 a.m. to 9 p.m.	10,800
Milton School of Arts	16 Aug., 1872	Freehold	732	10 18 9	21 17 6	32 16 3	510	Two hours daily
Molong School of Arts	1 July, 1878	Freehold	775	300 0 0	607 15 9	907 15 9	14	153	7 to 10 p.m.	1,377
Morpeth School of Arts	24 Sept., 1863	Freehold	2,050	39 0 0	39 0 0	601	9 a.m. to 10 p.m.
Mudgee School of Arts	12 May, 1857	Freehold	3,580	56 6 0	117 5 6	173 11 6	2,500	10 a.m. to 10 p.m.
Murrurundi School of Arts and Mechanics' Institute	4 Sept., 1873	Freehold	1,000	16 13 9	84 11 0	101 4 9	1,100	7 to 10 p.m., 3 to 5 p.m. Saturdays	(abt) 1,800
Muswellbrook School of Arts 1867	Freehold	1,500	17 18 3	35 16 6	53 14 9	1,128	7-30 am. to 10 p.m.
Narrabri Mechanics' Institute	1 Jan., 1871	Leasehold	50 0 0	21 17 6	71 17 6	404	8 to 10 p.m.
Newcastle School of Arts	29 July, 1875	Freehold	2,500	146 19 0	343 15 4	490 14 4	2,050	10 a.m. to 10 p.m.	12,520
Orange School of Arts and Mechanics' Institute 1858	Freehold	3,000	83 5 5	291 3 7	374 9 0	2,300	3 to 5 p.m., 7 to 10 p.m.	20,280
Parramatta School of Arts	— May, 1850	Freehold	1,000	43 18 3	97 16 6	141 14 9	1,020	Books are lent out Tues. and Fri.
Paterson School of Arts	23 Sept., 1868	Leasehold	5 4 4	5 4 4	630	7-30 p.m. to 10 p.m.
Petersham Working Men's Institute	1 Jan., 1871	Leasehold	25 6 3	63 4 6	88 10 9	6	406	8 a.m. to 10 p.m.
Queanbeyan Literary Institute 1868	Leasehold	18 15 0	37 10 0	56 5 0	36	340	9 a.m. to 10 p.m.
Raymond Terrace Mechanics' School of Arts	24 Oct., 1871	Leasehold	7 16 6	13 11 0	21 7 6	534	8 to 10 p.m. Tuesdays	740
Redfern Free Library	*1 Nov., 1877	Freehold	Apartment in Council Chambers.	24 17 6	24 17 6	1,630	7-30 to 9 p.m. Mon., Tues., Wed., and Sat.; 10 to 12 a.m. Tues., Thurs., and Fri.	8,000
Richmond School of Arts	27 Aug., 1866	Freehold	818	4 10 0	43 15 6	48 5 6	750	7 to 8 p.m.
St. Leonards School of Arts	17 Oct., 1859	Freehold	2,000	17 3 6	51 11 8	68 15 2	1,850	Mon. and Thurs. 7 to 9 p.m., Wed. and Sat. 3 to 5 p.m.
Scone School of Arts 1868	Freehold	800	21 1 0	52 15 0	73 16 0	800	8 to 10 p.m.
Singleton Mechanics' Institute 1866	Freehold	2,000	205 4 0	205 4 0	2,180	10 a.m. to 9 p.m.
South Grafton	1 Oct., 1877	Leasehold	30 0 0	152 15 0	182 15 0	52	134	7-30 to 9-30 p.m.
Stroud School of Arts	1 April, 1859	Freehold	400	10 18 9	21 17 6	32 16 3	4	1,387	9 a.m. to 5 p.m., 7 to 9 p.m.	863
Sydney Mechanics' School of Arts	22 Mar., 1833	Freehold	†2,200 0 0	1,279 19 6	3,479 19 6	19	19,000	10 hours daily
Tamworth Mechanics' Institute 1866	Freehold	829	37 3 3	74 6 6	111 9 9	639	10 a.m. to 10 p.m.
Tenterfield School of Arts	15 April, 1871	Freehold	750	85 16 2	85 16 2	512	10 a.m. to 10 p.m. week days, 2 p.m. to 9 p.m. on Sundays.
Uralla Literary Institute. (Closed).
Wagga Wagga Mechanics' Institute 1863	Freehold	1,800	150 0 0	150 0 0	1,010	9 a.m. to 10 p.m.	(abt) 7,800
Walcha School of Arts	21 Sept., 1875	Freehold	About 295 and 200 for subsequent addition.	25 0 0	58 10 6	83 10 6	3	584	8 to 10 p.m. Mon., Thurs., and Sat.
Wallsend School of Arts	— Sept., 1870	Freehold	454	75 0 0	150 0 0	225 0 0	800	10 a.m. to 10 p.m.
West Maitland School of Arts 1855	Freehold	2,600	105 14 6	211 9 0	317 3 6	8	4,580	9 a.m. to 1 p.m., 4 to 6 p.m., and 7 to 10 p.m.	(abt) 12,500
Windsor School of Arts 1861	Freehold	750	8 8 9	86 17 6	95 6 3	800	7 to 10 p.m. daily, also Wed. 4 to 5 p.m., and Sat. 2 to 3 p.m.
Wingham School of Arts	23 Nov., 1875	Freehold	200	20 0 6	40 7 0	60 7 6	148	3 times a week from 7 to 9 p.m.
Wollongong School of Arts	9 Jan., 1860	Freehold	1,328	8 10 0	19 5 0	27 15 0	3	1,305	2 to 10 p.m. daily	793
Woodville School of Arts	— April, 1877	Freehold	200	10 10 0	10 10 0	300	8 to 10 p.m. on Tuesdays
Wyrallah School of Arts	22 May, 1873	Leasehold	9 5 0	18 10 0	27 15 0	400	Daily
Yass Mechanics' Institute	1857, re-organised in 1859.	Freehold	2,600	28 15 0	174 16 0	203 11 0	5	2,400	Reading Room 9 a.m. to 10 p.m., Library three times a week from 2 to 4 p.m. and 7 to 10 p.m.
Young Mechanics' Institute	1 June, 1877	Freehold	5,015	70 14 6	70 14 6	950	9 a.m. to 10 p.m.	3,756

* Formally opened on 1st November, 1876, with a small collection of books, but not opened to the public till above date.

† Includes £2,000 towards new buildings.

GAOLS AND

No. 39.—RETURN of the several GAOLS, and the Number of PRISONERS

Prison, where situated.	Respective Ages of Prisoners.	Number of Prisoners the Prison is capable of containing in separate cells.	Number of Prisoners the Prison is capable of containing where more than one Prisoner sleeps in one cell.	Number of Prisoners received					
				Debtors.		For Trial, &c.		In Transitu.	
				M.	F.	M.	F.	M.	F.
Gaol, Darlinghurst, in the City of Sydney...	10 to 20 years... ..	346	750	83 ₁	22	2	...
	20 to 30 „	239 ₂	76	31 ₁	...
	30 to 40 „	186 ₁	53	18 ₁	1
	40 to 50 „	116 ₁	35	7	...
	50 years and upwards			80	10	5	1
	Unknown			23	1
Total	346	750	23	1	704 ₅	196	63 ₂	2	
Parramatta	10 to 20 years... ..	78*	180	4	1
	20 to 30 „	10	...	1	4
	30 to 40 „	16	3
	40 to 50 „	13 ₁	1	2	7
	50 years and upwards			3	...	1	12
Total	78*	180	46 ₁	1	4	27	
Berrima	10 to 20 years... ..	75	120
	20 to 30 „
	30 to 40 „
	40 to 50 „
	50 years and upwards		
Total	75	120	
Bathurst	Under 10 years	38	123	1	1
	10 to 20 „	11	1	1	...
	20 to 30 „	34	5	4	...
	30 to 40 „	30 ₃	4	1	1
	40 to 50 „	12 ₆	4
	50 years and upwards			29 ₃	4
Total	38	123	116 ₁₂	18	7	2	
Maitland	Under 10 years	110	182	2
	10 to 20 years...	11	2
	20 to 30 „	31 ₃	4	2 ₁	...
	30 to 40 „			1	1	24 ₃	6	2	2
	40 to 50 „	27 ₆	9	2	...
	50 years and upwards			18	7
Total	110	182	1	1	113 ₁₁	28	6 ₁	2	

NOTE.—The small figures denote black or coloured Prisoners. * Exclusive of six punishment cells.

STATISTICS—1878.

PRISONERS.

received therein during the Year 1878 ; also the Education of same.

during the Year 1878.								Greatest Number received at any one time.		Education.					
Under Sentence to—						Total Number.				Number who can read and write.		Number who can read only.		Number who cannot read.	
Labour.		Imprisonment.		Solitary Confinement.								M.	F.	M.	F.
M.	F.	M.	F.	M.	F.	M.	F.	M.	F.	M.	F.	M.	F.		
71 ₂	16	285 ₁	69	2	...	443 ₄	107	2	...	33 ₂	70	47 ₁	19	64 ₂	18
224 ₃	89	970 ₁₇	780 ₂	1,464 ₂₃	945 ₂	12	7	1,188 ₁₁	578 ₁	131 ₄	188	145 ₈	179 ₁
133 ₂	88	941 ₁₄	934 ₁	1,278 ₁₈	1,076 ₁	11	10	1,080 ₇	631	86 ₅	245	112 ₆	200 ₁
70 ₄	92	728 ₆	878	921 ₁₁	1,005	6	10	730 ₄	430	91 ₂	298	100 ₅	277
109	94	696 ₂	552	890 ₂	657	8	8	629 ₁	223	107 ₁	171	154	263
...	23	1	23	1
607 ₁₁	379	3,620 ₄₀	3,213 ₃	2	...	5,019 ₅₈	3,791 ₃	39	35	3,982 ₂₄	1,933 ₁	462 ₁₃	921	575 ₂₁	937 ₂
2	...	2	...	2	...	10	1	7	3	1
40	...	24 ₁	75 ₁	4	5	...	64	3	2 ₁	...	9	1
42	...	25 ₁	1	83 ₁	4	5	...	75 ₁	2	3	1	5	1
18 ₃	...	19 ₃	1	52 ₇	9	1	...	40 ₁	8	5 ₂	1	7 ₄	...
27	...	103 ₁	1	134 ₁	13	6	...	74	6	12	3	48 ₁	4
129 ₃	...	173 ₆	3	2	...	354 ₁₀	31	17	...	260 ₂	19	22 ₃	5	72 ₅	7
7	7	7
51 ₂	...	2 ₁	53 ₃	...	5	...	46 ₁	7 ₂	...
36 ₃	...	4	40 ₃	...	4	...	30 ₁	...	2	...	8 ₂	...
14 ₁	...	2	16 ₁	...	1	...	15	...	1	...	1	...
18	...	2	20	...	1	...	16	...	1	...	3	...
126 ₆	...	10 ₁	136 ₇	...	11	...	114 ₂	...	4	...	18 ₅	...
...	1	1	1	1	1	1
5	...	3	2	20	3	3	1	17	2	3	1
39	...	21	7	98	12	5	2	82	8	4	1	12	3
25 ₂	1	20 ₃	18 ₁	76 ₈	24 ₁	4 ₂	2 ₁	53 ₁	22	7 ₁	1	16 ₆	1 ₁
9	2	21 ₂	13	42 ₈	19	3 ₁	3	30	6	3	12	9 ₈	1
10 ₃	1	45 ₄	17	84 ₁₀	22	2 ₁	2	60 ₁	9	9	4	15 ₉	9
88 ₅	4	110 ₉	57 ₁	321 ₂₈	81 ₁	18 ₄	11 ₁	242 ₂	47	24 ₁	18	55 ₂₃	16 ₁
...	...	1	3	1	...	2
15 ₂	...	15 ₈	7	2	...	43 ₁₀	9	1	...	33 ₁	6	2	...	8 ₉	3
104 ₈	6	49 ₉	26	186 ₂₁	36	8 ₁	...	163 ₁	19	2	13	21 ₂₀	4
44 ₃	5	48 ₆	22	119 ₁₂	36	4 ₁	...	97 ₄	16	5 ₂	2	17 ₆	18
34 ₄	4	72 ₃	34	135 ₁₂	47	98	32	18	4	19 ₁₂	11
26 ₂	2	47 ₃	27	91 ₅	36	72	10	5	7	14 ₅	19
223 ₁₉	17	232 ₂₉	116	2	...	577 ₆₀	164	13 ₂	...	464 ₆	83	34 ₂	26	79 ₅₂	55

No. 39 (continued).—RETURN OF GAOLS and PRISONERS received therein, &c.—continued.

Prison, where situated.	Respective Ages of Prisoners.	Number of Prisoners the Prison is capable of containing in separate cells.	Number of Prisoners the Prison is capable of containing where more than one Prisoner sleeps in one cell.	Number of Prisoners received						
				Debtors.		For Trial, &c.		In Transitu.		
				M.	F.	M.	F.	M.	F.	
Goulburn ...	Under 10 years ...	63	127	2	1	
	10 to 20 ,,	1	...	2	2	
	20 to 30 ,,	8	1	9	1	
	30 to 40 ,,	4	1	11	3	
	40 to 50 ,,	1	...	5	1	
50 years and upwards...	8	...	20	1				
Total	63	127	22	2	49	10	
Port Macquarie. (To 31 March)	10 to 20 years ...	10	80	
	20 to 30 ,,	
	30 to 40 ,,	
	40 to 50 ,,	
	50 years and upwards..			
Total	10	80		
Albury ...	Under 10 years ...	12	36	6	2	
	10 to 20 ,,	2	...	2	...	
	20 to 30 ,,	11	1	2	...	
	30 to 40 ,,	5	...	2	...	
	40 to 50 ,,	9	1	2	...	
50 years and upwards..	1	...	6	...	7	...		
Total	12	36	1	...	33	1	21	2	
Braidwood ...	Under 10 years ...	12	36	
	20 to 30 ,,	2	
	30 to 40 ,,	3	...	1	...	
	40 to 50 ,,	3	...	1	...	
	50 years and upwards..			3	1	
Total	12	36	11	1	2	...	
Mudgee ...	Under 10 years ...	24	72	1	1	...	1	
	10 to 20 ,,	2	2	2	1	
	20 to 30 ,,	10	1	5	...	
	30 to 40 ,,	13	1	3	4	1
	40 to 50 ,,	7	3	1	6	...
50 years and upwards..	1	...	5	...	6	...		
Total	24	72	2	...	38	5	23	1	

NOTE.—The small figures denote black or coloured Prisoners.

STATISTICS—1878.

PRISONERS—continued.

during the Year 1878.								Greatest Number received at any one time.		Education.					
Under Sentence to—						Total Number.				Number who can read and write.		Number who can read only.		Number who cannot read.	
Labour.		Imprisonment.		Solitary Confinement.											
M.	F.	M.	F.	M.	F.	M.	F.	M.	F.	M.	F.	M.	F.	M.	F.
.....	...	2	1	4	2	4	2
8	...	11	22	2	14	2	3	...	5	...
32	1	17	1	66 ₁	3	2	...	55 ₁	2	2	1	9	...
17	1	11 ₁	4	43 ₄	9	3	...	35 ₁	4	6 ₂	3	2 ₁	2
15	...	24	5	45 ₁	8	37	6	2	...	6 ₁	2
22	...	54	7	104	8	7	...	70	3	10	2	24	3
94	2	119 ₁	18	284 ₆	32	12	...	211 ₂	17	23 ₂	6	50 ₂	9
.....	...	1	1	1
.....
.....	...	1	1	1	1	...
.....	...	1	1	1
.....
.....	...	3	3	1	...	2	1	...
.....	6	2	3	1	6	2
6	...	3	13	2	...	7	1	...	5	...
3	...	25 ₁	3	41 ₁	4	34	2	3	...	4 ₁	2
7	...	24 ₃	2	38 ₃	2	1	...	33	2	5 ₃	...
6	...	34 ₂	6	51 ₃	6	43	6	4	...	4 ₃	...
2	...	25	3	41	3	1	...	33	1	7	...	1	2
24	...	111 ₆	14	190 ₇	17	7	1	150	11	15	...	25 ₇	6
.....	...	1	4	1	4	1	4	1	4
9	...	2	1	13	1	1	1	5	3	1	5	...
3	...	1	8	4	...	3	3	...	2	...
1	...	1 ₁	3	6 ₁	3	2 ₁	1	3	1	...	2	3 ₁	...
3	...	11	1	17	2	1	1	10	1	2	1	5	...
16	...	16 ₁	9	45 ₁	10	9 ₁	7	21	2	8	4	16 ₁	4
.....	...	1	1	2	3	2	3
1	...	2	2	7	5	4	3	3	2
7	1	3 ₂	1	25 ₃	3	20	3	1	...	4 ₃	...
13 ₂	1	14 ₁	2	45 ₅	6	1	1	35	6	4	...	6 ₅	...
4 ₂	...	7 ₁	3	24 ₆	4	1	1	15	1	...	1	9 ₆	2
6 ₂	1	8 ₁	11	26 ₃	12	1	...	14 ₁	6	4	...	8 ₂	6
31 ₆	3	35 ₅	20	129 ₁₇	33	3	2	88 ₁	19	9	1	32 ₁₆	13

No. 39 (continued).—RETURN of GAOLS and PRISONERS received therein, &c.—continued.

Prison, where situated.	Respective Ages of Prisoners.	Number of Prisoners the Prison is capable of containing in separate cells.	Number of Prisoners the Prison is capable of containing where more than one Prisoner sleeps in one cell.	Number of Prisoners received					
				Debtors.		For Trial, &c.		In Transitu.	
				M.	F.	M.	F.	M.	F.
Wagga Wagga ...	Under 10 years ...	11	33	3	...	5	2
	10 to 20 "	4	6	2	...
	20 to 30 "	20	1	7	...
	30 to 40 "	24 ₁	3	5	2
	40 to 50 " ...			1	...	10 ₄	...	4	...
50 years and upwards	15	2	8	...			
	Total ...	11	33	1 ₁	...	76 ₅	12	31	4
Armidale... ...	10 to 20 years... ...	24	92	1 ₁
	20 to 30 "	8	1
	30 to 40 "	2 ₂
	40 to 50 "	4	2
	50 years and upwards			4
	Total ...	24	92	19 ₄	3
Yass ...	Under 10 years ...	11	33
	10 to 20 "	4	1
	20 to 30 "	8
	30 to 40 "	10 ₁	...	4	...
	40 to 50 "	6	...	2	...
50 years and upwards	8	...	18	...			
	Total ...	11	33	36 ₁	1	24	...
Deniliquin ...	Under 10 years ...	16	80	4	4
	10 to 20 "	4	...	1	1
	20 to 30 "	13	3	5	...
	30 to 40 "	4 ₁	...	1	2
	40 to 50 " ...			1	...	7	1	2	...
50 years and upwards	6	1	4	...			
	Total ...	16	80	1	...	34 ₁	5	17	7
Young ... (from 1 April)	10 to 20 years... ...	12	80	1	2
	20 to 30 " ...			1	...	2	...	4	1
	30 to 40 "	1	...	8	1
	40 to 50 " ...			1	...	1
	50 years and upwards...			9	...
	Total ...	12	80	2	...	4	...	22	4
TOTALS OF GAOLS ...		842	2,024	31 ₁	2	1,252 ₄₈	276	269 ₇	62

NOTE.—The small figures denote black or coloured prisoners.

STATISTICS—1878.

PRISONERS—continued.

during the Year 1878.								Greatest Number received at any one time.		Education.					
Under Sentence to—						Total Number.				Number who can read and write.		Number who can read only.		Number who cannot read.	
Labour.		Imprisonment.		Solitary Confinement.				M.	F.	M.	F.	M.	F.	M.	F.
M.	F.	M.	F.	M.	F.										
.....	8	2	3	1	8	2
.....	...	6	...	1	...	13	6	2	...	7	2	2	2	4	2
1	...	17	1	45	2	42	1	2	...	1	1
.....	...	24	6	53 ₁	11	1	...	42	6	2 ₁	...	9	5
.....	...	20 ₅	8	35 ₉	8	30 ₁	4	3	2	2 ₈	2
1	...	17 ₁	2	41 ₂	4	1	...	29	4	2	8 ₂	2
2	...	84 ₆	17	1	...	195 ₁₂	33	7 ₁	1	150 ₁	13	13 ₁	6	32 ₁₀	14
3	...	2	1	6 ₁	1	3	3	1
7	2	3	1	18 ₁	4	1	...	18	1	...	1	...	2
1	...	8	3	11 ₂	3	9 ₁	3	2 ₁	...
3	1	5	12	3	...	1	9	1	3	2
6	2	6	2	16	4	9	1	...	6	4
20	5	24	7	63 ₄	15	1	1	48 ₁	5	1 ₁	1	14 ₂	9
.....	...	3	1	3	1	3	1
4	2	8	3	2	...	4	3	4
6	...	12 ₄	2	26 ₄	2	1	...	20	2	6 ₄	...
6	3	10 ₃	2	30 ₄	5	26 ₃	3	4 ₁	2
8	...	23	8	39	8	...	2	30	4	9	4
4	...	8	5	38	5	30	1	8	4
28	3	56 ₇	20	144 ₈	24	3	2	110 ₃	13	4	...	30 ₅	11
.....	4	4	4	4
6	1	2	13	2	1	...	11	2	2	...
20 ₁	2	21	4	59 ₁	9	1	...	55 ₁	7	1	...	3	2
16 ₁	1	18	5	39 ₂	8	25 ₁	6	14 ₁	2
7 ₃	3	24	6	41 ₃	10	2	...	32	6	3	...	6 ₃	4
10	1	26	6	46	8	2	...	40	8	2	...	4	...
59 ₅	8	91	21	202 ₆	41	6	...	163 ₂	29	6	...	33 ₄	12
3	1	1	5	3	3	...	3	3	2
10	1	5 ₁	1	22 ₁	3	1	1	20 ₁	3	1	...	1	...
7	1	8	4	24	6	2	...	20	5	4	1
4	1	8	14	1	11	1	3	...
8	...	22	7 ₁	39	7 ₁	1	...	20	2	9	...	10	5 ₁
32	4	44 ₁	12 ₁	104 ₁	20 ₁	7	1	74 ₁	14	16	1	14	5 ₁
1,479 ₅₅	425	4,728 ₁₁₂	3,527 ₅	7	...	7,766 ₂₂₃	4,292 ₅	154 ₈	61 ₁	6,079 ₄₇	2,205 ₁	641 ₂₃	989	1,046 ₁₅₃	1,098 ₄

No. 40.—RETURN of POLICE GAOLS, and the Number of

Prison, where situated.	Number of Prisoners the Prison is capable of containing in separate cells.	Number of Prisoners the Prison is capable of containing where more than one Prisoner sleeps in one cell.	Number of Prisoners received					
			Debtors.		For Trial.		In Transitu.	
			M.	F.	M.	F.	M.	F.
Bega	4	7	3	1
Bourke	9	27	33 ₁	2 ₁	8 ₁
Campbelltown	12	16	109	12	1	1
Cooma	5	15	24 ₂	3	6	1
*Coonabarabran	3	9	2
*Coonamble	4	8	2	5
Dubbo	9	30 ₁	33 ₇	3	37 ₄	3
Forbes	4	12	8 ₁	19	1
Glen Innes	4	20	2	8 ₂	8	3
Grafton	12	36	5	15 ₂	1	11 ₁	2
Grenfell	4	12	1	5	1	3
Gundagai	4	20	1	14 ₁	9 ₁	1
Hay	4	18	2	47 ₃	2	2
Murrurundi	4	8	6 ₁	30 ₁	4
Muswellbrook	4	10	5	16 ₂	3
Narrabri	3	8	40 ₃	4	3 ₁	2
Nimitybelle	1	4
Orange	5	18	52	5	99 ₂	11
Port Macquarie (from 1 April)	10	80	1	4	1
Queanbeyan	6	24	16	1	12
Singleton	4	20	13	8
Tamworth	5	15	1	66 ₅	6	28	8
Tenterfield	4	12	12	3
*Walgett	2	16	7
Wellington	4	15	1	20 ₂	7	38 ₂	2
Wentworth	3	9	1	5	9
*Wilcannia	4	16	3
Windsor	12	36	8
Wollongong	12	36	1	10 ₁	1	7
Young (to 31 March) ...	6	18	5	2	7
TOTALS OF POLICE GAOLS	167	575	16 ₁	567 ₃₁	50 ₁	378 ₁₄	43 ₁
TOTALS OF GAOLS ...	842	2,024	31 ₁	2	1,252 ₄₈	276	269 ₇	62
GENERAL TOTAL ...	1,009	2,599	47 ₂	2	1,819 ₇₉	326 ₁	647 ₂₁	105 ₁

NOTE.—The small figures denote black or coloured Prisoners.

* Proclaimed 2nd October, 1878.

STATISTICS—1878.

PRISONERS—continued.

PRISONERS received therein during the Year 1878; also the Education of same.

during the Year 1878.															
Under Sentence to—						Total Number.		Greatest Number received at any one time.		Education.					
Labour.		Imprisonment.		Solitary Confinement.						Number who can read and write.		Number who can read only.		Number who cannot read.	
M.	F.	M.	F.	M.	F.	M.	F.	M.	F.	M.	F.	M.	F.	M.	F.
...	...	26 ₁	30 ₁	2	...	23	...	1	...	6 ₁	...
14 ₁	...	7	62 ₂	2 ₂	4 ₁	...	29	...	8	...	25 ₂	2 ₂
...	...	3	2	113	15	2	1	89	13	20	...	4	2
5	...	6	...	2	...	43 ₂	4	28 ₂	...	3	2	12	2
1	1	3	1	1	1	3	1
.....	...	13	20	3	...	17	...	2	...	1	...
9 ₄	2 ₁	21 ₄	6	100 ₂₀	14 ₁	7 ₁₃	2	70 ₂	4	20	4	10 ₁₈	6 ₁
7 ₂	3	14	4	48 ₃	8	2	2	32	5	2	...	14 ₃	3
60	2	6 ₁	2	84 ₃	7	3	...	69	3	8	2	7 ₃	2
18 ₁	2	68 ₅	7	1	...	118 ₉	12	4	...	104 ₂	6	3	2	11 ₇	4
.....	...	6	15	1	2	...	15	1
7	...	33 ₁	4	64 ₃	5	3	...	48	2	6	2	10 ₃	1
10	3	110 ₁	12	171 ₄	17	3	1	151	11	5	2	15 ₄	4
1	...	34 ₁	3	71 ₃	7	5 ₁	1	63	5	5	1	3 ₃	1
.....	...	6	5	27 ₂	8	2	...	14	2	4	2	9 ₂	4
3	1	94 ₃	6	140 ₇	13	3	...	120 ₃	10	5	...	15 ₄	3
.....
40 ₃	4	22	4	213 ₅	24	185 ₂	16	3	...	25 ₃	8
13 ₁	...	9	27 ₁	1	5 ₁	1	16	1	3	...	8 ₁	...
7	...	20	1	55	2	3	1	37	1	3	1	15	...
17	...	6	4	44	4	3	...	38	6	4
6	...	174 ₉	41	275 ₁₄	55	7	2	110	32	75 ₃	20	90 ₁₁	3
7	...	22 ₁	4	44 ₁	4	2	...	21	3	8	...	15 ₁	1
1	8	2	...	6	...	1	...	1	...
17 ₁	6	34	8	110 ₅	23	7 ₁	...	80 ₁	15	14	6	16 ₄	2
16 ₂	...	20	1	51 ₂	1	2	...	43	1	2	...	6 ₂	...
9	12	3	...	10	...	1	...	1	...
18	2	77	2	103	4	4	...	100	4	3	...
11 ₂	1	73 ₂	5	102 ₅	7	4 ₁	1	64	2	17	1	21 ₅	4
2	...	8	22	2	2	...	19	2	2	...	1	...
299 ₁₇	27 ₁	912 ₂₉	121	3	...	2,175 ₉₂	241 ₃	90 ₁₈	13	1,604 ₁₂	140	221 ₃	45	350 ₇₇	56 ₃
1,479 ₅₅	425	4,728 ₁₁₂	3,527 ₅	7	...	7,766 ₂₂₃	4,292 ₅	154 ₈	61 ₁	6,079 ₄₇	2,205 ₁	641 ₂₃	989	1,046 ₁₅₃	1,098 ₄
1,778 ₇₂	452 ₁	5,640 ₁₄₁	3,648 ₅	10	...	9,941 ₃₁₅	4,533 ₈	244 ₂₆	74 ₁	7,683 ₅₉	2,345 ₁	862 ₂₆	1,034	1,396 ₂₃₀	1,154 ₇

No. 41.—RETURN of the several GAOLS, and the Number of

Prison, where situated.	Respective Ages of Prisoners.	Committed before.								Employed during the Year.							
		Once.		Twice.		Three or more times.		Total.		Labour in the Prison.		Labour out of the Prison.		Other Employments.		Total.	
		M.	F.	M.	F.	M.	F.	M.	F.	M.	F.	M.	F.	M.	F.	M.	F.
Gaol, Darlinghurst, in the City of Sydney ...	10 to 20 years ...	57	15	11	7	22	17	90	39	71	16	285	69	356	85
	20 to 30 " ...	117	65	57	25	172	214	346	304	224	89	970	780	1194	869
	30 to 40 " ...	82	44	39	16	177	99	298	159	133	88	941	934	1074	1022
	40 to 50 " ...	30	49	27	21	41	83	98	153	70	92	728	878	798	970
	50 years and upwards	26	11	7	2	53	61	86	74	109	94	696	552	805	646
	Total ...	312	184	141	71	465	474	918	729	607	379	3620	3213	4227	3592
Parramatta ...	10 to 20 years ...	1	4	...	5	...	3	3	...
	20 to 30 " ...	7	...	2	...	14	...	23	...	57	2	...	59	...
	30 to 40 " ...	14	...	2	...	14	1	30	1	51	...	2	...	2	...	55	...
	40 to 50 " ...	5	23	3	28	3	28	4	...	32	...
	50 years and upwards	14	4	4	1	58	6	76	11	68	3	...	71	...
	Total ...	41	4	8	1	113	10	162	15	207	...	2	...	11	...	220	...
Berrima ...	10 to 20 years ...	1	1	...	2	...	7	7	...
	20 to 30 " ...	7	...	4	...	12	...	23	...	50	2	...	52	...
	30 to 40 " ...	2	...	2	...	11	...	15	...	40	1	...	41	...
	40 to 50 " ...	2	...	2	...	2	...	6	...	15	1	...	16	...
	50 years and upwards	2	...	5	...	7	...	20	20	...	
	Total ...	12	...	10	...	31	...	53	...	132	4	...	136	...
Bathurst ...	10 to 20 years ...	1	1	1	1	2	8	1	8	1	
	20 to 30 " ...	3	1	1	...	3	4	4	31	4	10	41	4	
	30 to 40 " ...	10	6	2	...	11	13	17	25	11	25	11	
	40 to 50 " ...	3	2	1	...	2	10	6	12	19	9	19	9	
	50 years and upwards	10	4	1	2	4	8	15	14	6	2	6	2	
	Total ...	27	14	5	2	7	33	39	49	89	27	10	99	27	
Maitland ...	10 to 20 years ...	1	...	1	...	1	1	3	1	20	2	1	...	10	4	31	6
	20 to 30 " ...	10	2	8	1	8	6	26	9	61	10	27	...	71	14	159	24
	30 to 40 " ...	7	3	6	1	5	4	18	8	23	11	20	...	45	16	88	27
	40 to 50 " ...	12	6	5	3	10	6	27	15	43	18	17	...	39	15	99	33
	50 years and upwards	8	2	8	2	14	8	30	12	28	13	5	...	36	15	69	28
	Total ...	38	13	28	7	38	25	104	45	175	54	70	...	201	64	446	118

NOTE.—The small figures denote black or coloured Prisoners.

STATISTICS—1878.

PRISONERS—continued.

PRISONERS in Confinement at MICHAELMAS, 1878, &c., &c.

Gaol Punishments during the Year.						Number in Confinement at Michaelmas, 1878.																											
						Deaths during the Year.						Felon.			Petty Larceny.			Assaults.			Other Offences.			General Total.									
Solitary Confinement.		Other Punishments.		Total.		M.		F.		Total.		M.		F.		Total.		M.		F.		Total.		M.		F.		Total.					
M.	F.	M.	F.	M.	F.	M.	F.	M.	F.	M.	F.	M.	F.	M.	F.	M.	F.	M.	F.	M.	F.	M.	F.	M.	F.	M.	F.	M.	F.				
54	10	11	3	65	13	32	5	5	2	37	7	11	2	1	...	12	2	2	2	...	17	11	2	...	19	11	70	20	
153	51	26	4	179	55	1	...	90	22	12	2	102	24	20	6	2	1	22	7	5	1	3	...	8	1	23	40	1	2	24	42	156	74
54	12	9	2	63	14	3	1	53	7	9	1	62	8	9	3	3	...	12	3	12	12	...	21	52	6	1	27	53	113	64	
32	7	8	...	40	7	4	1	29	2	2	...	31	2	16	4	2	...	18	4	4	1	4	1	14	13	1	2	15	15	68	22
6	3	3	1	9	4	2	...	17	...	1	...	18	...	2	2	2	2	1	1	...	18	25	1	...	19	25	40	27
299	83	57	10	356	93	10	2	221	36	29	5	250	41	58	17	8	1	66	18	24	2	3	...	27	1	93	141	11	5	104	146	447	207
7	7	2	2	2	...	
29	29	82	...	1	...	83	83	...	
26	...	1	...	27	70	...	1	...	71	2	2	...	73	...		
18	...	1	...	18	...	1	...	34	34	1	1	...	35	...		
5	5	...	3	...	29	...	1	...	30	8	8	...	38	...		
85	...	1	...	86	...	4	...	217	...	3	...	220	11	11	...	231	...		
2	2	5	5	5	...		
15	15	31	31	...	1	1	...	3	3	35	...		
5	5	25	25	...	1	1	...	1	1	27	...		
1	1	13	13	1	1	...	14	...	
1	1	...	1	...	8	8	8	...		
24	...	1	...	24	...	1	...	82	82	...	2	2	...	4	4	...	1	1	...	89	...	
1	...	9	...	10	4	4	4	...		
9	...	20	...	29	...	1	...	36	2	36	2	1	1	...	6	6	...	43	2		
6	1	5	...	11	1	1	...	15	...	1	...	15	1	1	...	6	2	1	7	2	23	2		
...	...	1	...	1	4	1	...	2	4	1	2	3	2	3	6	4		
4	...	4	...	8	...	3	1	11	1	1	...	12	1	4	4	...	16	1		
20	1	39	...	59	1	5	1	70	4	1	3	71	4	2	2	...	18	5	1	19	5	92	9		
2	2	...	2	4	4	1	4	1	4	1		
18	11	11	4	29	15	35	2	6	1	41	3	1	1	1	1	10	1	2	10	2	52	6		
9	8	8	3	17	11	15	3	3	...	18	3	7	7	...	25	3			
8	4	1	4	9	8	12	...	1	...	13	1	1	...	5	3	5	3	19	3		
2	4	4	...	8	4	2	...	14	14	1	1	...	5	2	5	2	20	2		
41	29	24	13	65	42	2	...	80	6	10	1	90	7	3	1	3	1	27	7	...	27	7	120	15		

No. 41 (continued)—RETURN of GAOLS and PRISONERS in

Prison, where situated.	Respective Ages of Prisoners.	Committed before.								Employed during the Year.							
		Once.		Twice.		Three or more times.		Total.		Labour in the Prison.		Labour out of the Prison.		Other Employments.		Total.	
		M.	F.	M.	F.	M.	F.	M.	F.	M.	F.	M.	F.	M.	F.	M.	F.
Goulburn ...	10 to 20 years ...	2	2	...	11	...	2	...	6	1	19	1
	20 to 30 ,, ...	5	1	4	...	1	...	10	1	35	1	12	...	2	...	49	1
	30 to 40 ,, ...	6 ₂	...	4	1	5	3	15 ₂	4	29 ₁	3	3	...	4	1	36 ₁	4
	40 to 50 ,, ...	7	1	1	...	2	3	10	4	23	4	3	...	3	1	29	5
	50 years and upwards	8	...	4	1	28	1	40	2	58	5	7	...	10	...	75	5
	Total ...	28 ₂	2	13	2	36	7	77 ₂	11	156 ₁	13	27	...	25	3	208 ₁	16
Port Macquarie (to 31 March)	40 to 50 years ...	1	1
	Total ...	1	1
Albury ...	10 to 20 years	6	...	6	...
	20 to 30 ,,	2	...	2	4	...	4	...
	30 to 40 ,, ...	1	1	7	...	7	...
	40 to 50 ,, ...	2	2	2	...	4	2	6	...	6	...
	50 years and upwards	1	1	...	2	2	...	2	...
	Total ...	4	2	5	...	9	2	25	...	25	...
Braidwood	20 to 30 years ...	2	...	1	...	1	...	4	...	4	1	6	10	1
	30 to 40 ,,	1	...	1	...	2	...	1	1	2	3	1
	40 to 50 ,,	3 ₁	3 ₁	...
	50 years and upwards	1	2	...	3	...	4	...	2	1	6	1
	Total ...	3	...	2	...	4	...	9	...	12 ₁	2	10	1	22 ₁	3
Mudgee.....	Under 10 years
	10 to 20 ,,	2	1	2	1
	20 to 30 ,, ...	6	...	1 ₂	...	1	...	8 ₂	...	14 ₂	2	2 ₁	16 ₃	2
	30 to 40 ,, ...	6	...	5	...	5 ₁	1	16 ₁	1	28 ₃	3	5 ₁	33 ₄	3
	40 to 50 ,,	4 ₂	1	4 ₂	1	13 ₅	3	2 ₂	15 ₇	3
	50 years and upwards	1	...	8	5	9	5	15 ₂	7	15 ₃	7
	Total ...	12	...	7 ₂	...	18 ₃	7	37 ₅	7	72 ₁₂	16	9 ₅	81 ₁₇	16

NOTE.—The small figures denote black or coloured Prisoners.

STATISTICS—1878.

PRISONERS—continued.

Confinement at MICHAELMAS, &c.—continued.

Gaol Punishments during the Year.						Deaths during the Year.		Number in Confinement at Michaelmas, 1878.																											
								Felons.								Petty Larceny.						Assaults.						Other Offences.						General Total.	
Solitary Confinement.		Other Punishments.		Total.		M.	F.	M.	F.	M.	F.	M.	F.	M.	F.	M.	F.	M.	F.	M.	F.	M.	F.	M.	F.	M.	F.	M.	F.	M.	F.	M.	F.		
M.	F.	M.	F.	M.	F.																													Tried.	Untried.
3	3	2	2	...	4	4	6	...			
9	3	9	3	12	12	...	3	3	2	2	4	4	...	21				
1	1	10	1	11	1	2	1	2	2	2	2	2	...	17	2				
2	1	2	1	2	...	14	14	2	1	3	1	1	4	1	...	4	1	22	1				
15	4	15	4	2	...	39	1	40	1	13	1	14	6	6	10	2	...	10	2	70	2				
...				
1	1	4	4	4	...				
5	5	1	1	2	1	1	3				
2	2	1	1	1	1	1	2	3	4				
1	1	1	1	...	2	2	1	1	...	1	1	2	2	1				
9	9	2	7	1	8	2	2	2	4	2	2	1	1	...	3	1	15	2	1				
8	8	5	1	6	4	4	...	10					
1	1	1	1	1	1	...	2					
1	1	1	2	2	1	1	...	2					
11	11	1	8	2	10	8	8	...	18					
5	2	5	2	2	1	2	1	1	1	2	1	2	1				
10	3	10	3	6	2	1	...	7	1	1	2	1	...	1	2	9	2					
7	3	7	3	4	2	5	2	1	1	...	5	3					
1	1	1	1	1	...	1	2	2	2	1	1	...	2	2					
23	4	6	...	23	4	6	1	13	7	3	16	7	1	1	4	1	...	1	4	18	8	4	...				

No. 41 (continued.)—RETURN of GAOLS and PRISONERS in

Prison, where situated.	Respective Ages of Prisoners.	Committed before.								Employed during the Year.							
		Once.		Twice.		Three or more times.		Total.		Labour in the Prison.		Labour out of the Prison.		Other Employments.		Total.	
		M.	F.	M.	F.	M.	F.	M.	F.	M.	F.	M.	F.	M.	F.	M.	F.
Wagga Wagga...	10 to 20 years	1	1
	20 to 30 "	2	2
	30 to 40 "	3	1	1	1	...	1	4	3	1	1	1	...	1	...	3	1
	40 to 50 "	2	1	1	...	1	2	4	3
	50 years and upwards	1	...	1	...	2	...	4	...
	Total ...	8	2	2	1	1	3	11	6	2	1	2	...	3	...	7	1
Armidale ...	Under 10 years	1	...	1	...	1	...	3
	10 to 20 "	1	1	3	3	...
	20 to 30 "	3	...	2	5	...	1	1	6	7	1
	30 to 40 "	2	...	2	4	...
	40 to 50 "	1	1	...	2	...	1	1	1	2	1
	50 years and upwards	5	6	...	11	1	2	2	1
Total ...	11	...	3	...	8	...	22	...	4	3	14	18	3	
Gaol... Yass ...	Under 10 years	3	1	3	1	3	1	3	1
	10 to 20 "	4	2	4	1	8	3	4	4	3	8	3
	20 to 30 "	14 ₄	1	12	1	26 ₄	2	6	...	4	...	16 ₄	2	26 ₄	2
	30 to 40 "	10 ₄	3	11	2	9	...	30 ₄	5	6	3	24 ₄	2	30 ₄	5
	40 to 50 "	12	2	15	...	12	6	39	8	8	31	8	39	8
	50 years and upwards	8	2	6	3	24	...	38	5	4	34	5	38	5
Total ...	51 ₈	11	48	7	45	6	144 ₈	24	28	3	4	...	112 ₈	21	144 ₈	24	
Deniliquin ...	10 to 20 years	2	2	...	6	...	3	...	7	...	16	...
	20 to 30 "	5	...	1	6	...	11 ₁	...	5	...	7	...	23 ₁	...
	30 to 40 "	2	1	...	1	...	1	2	3	12 ₁	...	4	...	4	2	20 ₁	2
	40 to 50 "	4	...	1	5	...	5	...	4	...	11	...	20	...
	50 years and upwards	1	1	1	...	1	1	3	2	9	...	4	...	17	1	30	1
	Total ...	14	2	3	1	1	2	18	5	43 ₂	...	20	...	46	3	109 ₂	3
Young... (from 1 April.)	10 to 20 years	4	4	...	
	20 to 30 "	...	2	2	8	8	...	
	30 to 40 "	...	1	1	5	2	2	7	2	
	40 to 50 "	1	1	1	1	2	2	...	3	...	1	5	1	
	50 years and upwards	5	1	...	6	...	10	10	...	
Total ...	5	3	...	1	2	1	7	5	29	...	3	...	2	3	34	3	
TOTAL OF GAOLS	567 ₃₅	237 ₁	270 ₇	93	774 ₁₀	568	1611 ₅₂	898 ₁	1556 ₇₅	498 ₁	171 ₅	...	4049 ₇₃	3308 ₃	5776 ₁₅₃	3806 ₄	

NOTE.—The small figures denote black or coloured Prisoners.

No. 42.—RETURN of POLICE GAOLS, and the Number of

Prison, where situated.	Committed before.								Employed during the Year.									
	Once.		Twice.		Three or more times.		Total.		Labour in the Prison.		Labour out of Prison.		Other Employments.		Total.			
	M.	F.	M.	F.	M.	F.	M.	F.	M.	F.	M.	F.	M.	F.	M.	F.		
Bega															17	1	17	
Bourke	12		8		12	1	32	1	14	1	8		40	1	62	2	2	
Campbelltown	16	6	41		16	5	73	11										
Cooma	9	1	11				20	1	6		6						12	
*Coonabarabran																		
*Coonamble	1						1											
Dubbo	33	3					33	3	8	2	10		2		20	2		
Forbes			3		2	3	5	3										
Glen Innes	4	2	1				5	2										
Grafton	83	8	4		9	1	96	9	12	2	6		57	4	75	4	6	
Grenfell			1		1		2											
Gundagai	1		8			1	9	1										
Hay	17		6	1	4		27	1			2		169	17	171	4	17	
Murrurundi	3		2				5		1						1			
Muswellbrook	2		1	1		2	3	3										
Narrabri	2				1		2		3	1					3		1	
Nimitybelle... ..																		
Orange	25	5	8		7	3	40	8	29	4	11		22	4	62	8		
Port Macquarie (From 1st April)	1		2	1			2	1	9						9			
Queanbeyan	2						2		4		3				7			
Singleton	5					1	5	1										
Tamworth	2						2		1		3				4			
Tenterfield	2		2		2	2	6	2										
*Walgett									1								1	
Wellington	3		6	4	3	1	12	5	4	2	9				13	2		
Wentworth... ..	5		1				6						1		1			
*Wilcannia	1		2				3		9						9			
Windsor	23		24	1	23	1	70	2	17	2	2		8		27	2		
Wollongong	1		2		7	5	9	5			2		2		4			
Young (to 31 March)									2						2			
TOTALS OF POLICE GAOLS	251	25	133	8	86	26	470	59	120	14	62		318	26	500	40		
TOTALS OF GAOLS	567	237	270	93	774	568	1611	898	1556	498	171		4049	3308	5776	3806		
GENERAL TOTAL	818	262	403	101	860	594	2081	957	1676	512	233		4367	3334	6276	3846		

NOTE.—The small figures denote black or coloured Prisoners.

* Proclaimed 2 October.

STATISTICS—1878.

PRISONERS—continued.

PRISONERS in Confinement at MICHAELMAS, 1878, &c., &c.

Gaol Punishments during the Year.										Number in Confinement at Michaelmas, 1878.																										
Solitary Confinement.			Other Punishments.			Total.			Deaths during the Year.		Felons.						Petty Larceny.						Assaults.						Other Offences.						General Total.	
											Tried.	Untried.	Total.	Tried.	Untried.	Total.	Tried.	Untried.	Total.	Tried.	Untried.	Total.	Tried.	Untried.	Total.	Tried.	Untried.	Total.	Tried.	Untried.	Total.					
M.	F.	M.	F.	M.	F.	M.	F.	M.	F.	M.	F.	M.	F.	M.	F.	M.	F.	M.	F.	M.	F.	M.	F.	M.	F.	M.	F.	M.	F.	M.	F.					
...				
8	...	3	...	11	4	...	4	...	2	...	4	...	6				
1	1	1	2	...	1	...	3	1	...	1			
8	...	2	8	2	1	3	1	6	1	9	1	1	1	2	...	4	...	6	...	16	1				
...	4	1	4	1	...	2	...	2	1	...	1	...	2	...	8	1	...				
26	2	5	...	31	2	2	1	2	...	2	...	1	1	8	2	...	8	2	11	2	...				
...	1	...	1	...	1	1			
...	2	...	2	2	2	...	4				
...	2	...	2	...	3	...	2	...	5	1	1	7	1			
...	8	6	14	1	4	1	...	4	1	3	1	...	3	1	34	2	...	34	2	55	1	4			
...	9	9	2	...	2	1	...	1	...	1	1	...	13			
...		
...	...	5	...	5	4	1	2	...	6	1	6	1	...			
...	1	...	1	...	3	3	2	...	2	...	1	...	2	...	3	...	9			
1	1	1	...	1	...	1	...	1	...	1	...	1	2	...	1	...	3	...	4	1			
...	1	...	1	...	1	1		
2	2	5	1	6	1	11	2	1	4	1	...	4	1	15	2			
1	...	2	...	3	1	...	2	...	3		
1	1	3	...	4	1	7	1	2	2	...	9	1			
1	1	2	2	...	1	1	3	3	...	6			
...	1	...	1	...	1	...	2	...	3	...	5	...	1	1	...	5	5	...	12			
...	1	1	...	1	1	3	3	...	4	1			
1	1	1	1	...	1	4	4	...	5	1			
...		
50	2	15	2	65	4	6	1	26	2	42	2	68	4	26	1	20	2	46	3	5	1	3	...	8	1	78	7	14	...	92	7	214	15			
559	126	138	23	697	149	30	6	778	49	64	8	684	55	96	21	16	2	112	22	43	3	3	...	46	3	199	167	16	7	215	174	1215	254			
609	128	153	25	762	153	36	7	804	51	106	13	891	59	122	22	36	3	158	25	48	4	6	...	54	4	277	174	30	7	307	181	1429	269			

GAOLS AND PRISONERS—*continued.*

No. 43.—RETURN showing the Number of PERSONS received into the SEVERAL GAOLS and POLICE GAOLS during the Year 1878.

Gaol—where situated.	Drunkenness and Vagrancy.			Other Offences.			Total.		
	Males.	Females.	Total.	Males.	Females.	Total.	Males.	Females.	Total.
GAOLS.									
Darlinghurst	1,753	536	2,289	1,454	621	2,075	3,207	1,157	4,364
Parramatta	98	16	114	169	1	170	267	17	284
Berrima	5	5	132	132	137	137
Bathurst	53	23	76	257	33	290	310	56	366
Maitland	74	29	103	426	49	475	500	78	578
Goulburn	58	4	62	218	23	241	276	27	303
Port Macquarie (to 31 March)	2	2	1	1	3	3
Albury... ..	87	15	102	101	101	188	15	203
Braidwood	10	4	14	30	6	36	40	10	50
Mudgee	24	5	29	72	17	89	96	22	118
Wagga Wagga	60	16	76	147	17	164	207	33	240
Armidale	11	2	13	51	8	59	62	10	72
Yass	55	1	56	97	19	116	152	20	172
Deniliquin	63	20	83	116	11	127	179	31	210
Young (from 1 April)	20	7	27	48	10	58	68	17	85
TOTAL OF GAOLS	2,373	678	3,051	3,319	815	4,134	5,692	1,493	7,185
POLICE GAOLS.									
Bega	10	10	16	16	26	26
Bourke	33	1	34	23	1	24	56	2	58
Campbelltown	55	7	62	18	4	22	73	11	84
Cooma... ..	10	1	11	31	3	34	41	4	45
Coonabarabran	1	1	2	1	1	2
Coonamble	10	10	9	9	19	19
Dubbo	70	7	77	19	6	25	89	13	102
Forbes	12	4	16	34	1	35	46	5	51
Glen Innes	43	1	44	39	4	43	82	5	87
Grafton	29	2	31	86	6	92	115	8	123
Grenfell	4	1	5	4	1	5
Gundagai	25	4	29	33	1	34	58	5	63
Hay	61	9	70	64	4	68	125	13	138
Murrurundi	11	11	23	3	26	34	3	37
Muswellbrook... ..	2	5	7	24	1	25	26	6	32
Narrabri	73	4	77	62	5	67	135	9	144
Nimitybelle
Orange	58	9	67	116	8	124	174	17	191
Port Macquarie (from 1 April)	5	5	20	1	21	25	1	26
Queanbeyan	14	14	39	2	41	53	2	55
Singleton	10	1	11	34	34	44	1	45
Tamworth	199	25	224	55	6	61	254	31	285
Tenterfield	18	2	20	19	1	20	37	3	40
Walgett	7	7	1	1	8	8
Wellington	13	10	23	90	8	98	103	18	121
Wentworth	21	1	22	26	26	47	1	48
Wilcannia	3	3	9	9	12	12
Windsor	20	20	11	3	14	31	3	34
Wollongong	35	3	38	49	2	51	84	5	89
Young (to 31 March)	5	5	17	2	19	22	2	24
TOTAL OF POLICE GAOLS	857	98	955	967	72	1,039	1,824	170	1,994
GENERAL TOTAL	3,230	776	4,006	4,286	887	5,173	7,516	1,663	9,179

NOTE.—This return refers to Persons, and not to Cases.

SUPREME AND CIRCUIT COURT CASES.

No. 44.—RETURN showing the Number of SUPREME and CIRCUIT COURT CASES during the Year 1878.

OFFENCES.	Central Criminal Court.				Albury.			Armidale.			Bathurst.			Deniliquin.			Dubbo.			Grafton.			Goulburn.			Maitland.			Mudgee.			Tamworth.			Wagga Wagga.			Yass.			Totals.											
	Committals.	Trials.	Convictions.	Acquittals.	Committals.	Trials.	Convictions.	Acquittals.	Committals.	Trials.	Convictions.	Acquittals.	Committals.	Trials.	Convictions.	Acquittals.	Committals.	Trials.	Convictions.	Acquittals.	Committals.	Trials.	Convictions.	Acquittals.	Committals.	Trials.	Convictions.	Acquittals.	Committals.	Trials.	Convictions.	Acquittals.	Committals.	Trials.	Convictions.	Acquittals.	Committals.	Trials.	Convictions.	Acquittals.												
FELONIES.																																																				
Murder	6	6	1	5					1	1			1	2	2	1	1																							19	19	4	15									
Wounding with intent to murder																																									2	2	1	1								
Shooting with intent to murder	1	1	1																																							3	3	3	3							
Rape	5	5	2	3	1	1	1		1	1			1	1	1																												11	11	4	7						
Sodomy	1	1	1																																								3	3		3						
Bestiality	1	1	1																																								3	3		3						
Manslaughter	3	3	1	2									2	2	2																												13	13	7	6						
Robbery with violence	10	10	8	2																																							11	11	9	2						
Robbery being armed																																											1	1	1	1						
Shooting with intent to do grievous bodily harm	1	1	1						1	1	1																																	2	2	1	1					
Arson	4	4	2	2					1	1	1		1	1	1																												2	2	2	4						
Robbery	6	6	6		1	1	1																																					7	7	6	1					
Stealing from the person	4	4	3	1					1	1	1																																		5	5	4	1				
Burglary	5	5	4	1																																									5	5	4	1				
House-breaking	6	6	5	1									3	3	1	2																													13	13	9	4				
Stealing in a dwelling-house	8	8	5	3																																									12	12	7	5				
Larceny	13	13	9	4	2	2	1	1	2	2	2		6	6	4	2	5	5	5		1	1	1		1	1	1		2	2	1	1	6	6	5	1	1	1		1	1		7	7	5	2						
Bigamy	5	5	5																																											5	5					
Receiving stolen property	11	11	11																																											11	11	11				
Forgery and uttering	10	10	8	2	2	2		2	1	1	1																																		28	28	21	7				
Embezzlement	1	1	1																																											6	6	5	1			
Horse-stealing	1	1	1		4	4	1	3	3	3	2	1	3	3	1	2	3	3	2	1																										30	30	17	13			
Cattle-stealing																																															8	8	4	4		
Sheep-stealing													8	8		8																														26	26	4	22			
Assault with intent to rob	2	2	2																																											2	2		2			
Feloniously wounding																																															4	4	2	2		
Feloniously wounding cattle																																														1	1	1	1			
Escape																																															2	2	2			
Conspiring to defraud	4	4	2	2																																											4	4	2	2		
Total Number of Felonies	108	108	75	33	10	10	3	7	12	12	9	3	27	27	12	15	16	16	13	3	14	14	6	8	9	9	8	1	12	12	5	7	32	32	12	20	10	10	8	2	23	23	13	10	21	21	14	7	18	18	10	8

STATISTICS—1878.

QUARTER SESSIONS CASES.

No. 45.—RETURN showing the Number of QUARTER SESSIONS CASES within the METROPOLITAN AND HUNTER DISTRICT, during the Year 1878.

OFFENCES.	Sydney.				Maitland.				Singleton.				Campbelltown.				Parramatta.				Windsor.				Totals.				
	Committals.	Trials.	Convictions.	Acquittals.	Committals.	Trials.	Convictions.	Acquittals.	Committals.	Trials.	Convictions.	Acquittals.	Committals.	Trials.	Convictions.	Acquittals.	Committals.	Trials.	Convictions.	Acquittals.	Committals.	Trials.	Convictions.	Acquittals.	Committals.	Trials.	Convictions.	Acquittals.	
FELONIES.																													
Robbery with violence	23	21	13	8	7	4	...	4	3	3	1	2	33	28	14	14		
Stealing from the person	76	71	37	34	5	5	2	3	3	3	1	2	...	1	1	...	1	1	...	1	83	78	39	39		
Burglary	3	3	2	1	3	3	2	1		
House-breaking	4	4	4	4	4	4	...		
Stealing in a dwelling-house	13	12	10	2	3	2	...	2	16	14	10	4		
Larceny	100	87	60	27	9	8	5	3	4	4	...	4	4	4	3	1	5	4	3	1	2	1	...	124	108	71	37		
Receiving stolen property	10	9	9	...	3	3	1	1	13	12	10	2		
Forgery and uttering	11	9	7	2	4	4	3	1	1	1	1	16	14	11	3		
Embezzlement	21	19	14	5	3	3	1	2	1	25	22	15	7		
Horse-stealing	1	1	...	1	3	3	1	1	5	4	2	2		
Cattle-stealing	6	6	4	2	1	7	6	4	2	
Sheep-stealing	4	4	2	2	4	4	2	2	
Assault with intent to rob...	4	4	4	4	4	...	4	
Feloniously wounding	3	3	2	1	1	4	3	2	1	
Feloniously wounding cattle	1	1	1	1	1	1	...	
Garrotting	4	4	1	3	4	4	1	3	
Total Number of Felonies	273	247	159	88	48	42	20	22	8	7	1	6	5	5	3	2	9	6	4	2	3	2	1	1	346	309	188	121	
MISDEMEANOURS.																													
Assault	9	9	8	1	1	1	1	11	11	10	1	
Assault on Constables	1	1	1	1	...	1	
Attempting to commit suicide	16	15	5	*10	1	1	1	18	17	7	*10	
Assault with intent to commit a rape	1	1	1	2	1	1	...	
Libel	1
Assault on female children under 12 years of age	1	1	1	...	2	2	1	1	2	2	1	1	5	5	3	2	
Indecency	2	1	...	1	2	1	1	1
Inflicting grievous bodily harm	31	31	14	17	3	3	2	1	34	34	16	18	
Uttering counterfeit coin	3	2	...	2	1	1	1	4	3	1	2	
Attempting to stab...	4	2	2	1	1	...	1	5	3	2	1	
Indecent assault	1	1	1	...	1	1	...	1	2	2	1	1	
Riot and assault	4	4	4	...	
Refusing to assist a Constable	1	1	1	1	1	1	...
Keeping a bawdy-house	8	7	7	...	2	2	2	10	9	9	...	
Attempt to commit felony	19	16	11	5	1	1	...	1	20	17	11	6	
Obtaining money or goods under false pretences	37	31	29	2	9	4	4	1	1	1	...	5	4	4	...	1	1	1	...	53	41	39	2	
Forcible entry and detainer	3	3	3	3	3	3	...
Concealing birth	1	1	1	1	1	1	...
Unlawfully using cattle	1	1	1	...	1	1	1	2	2	2	...
Unlawful wounding	28	28	14	14	5	4	2	2	1	1	1	2	2	2	36	35	19	16	
Perjury	1	1	...	1	2	2	2	3	3	...	3
Conspiracy to defraud	4	4
Making false answer to Health Officer, 17 Vic. No. 29, sec. 1...	1	1	1	1	1	1	...
Unlawfully pawning	10	9	7	2	10	9	7	2
Assault occasioning actual bodily harm	6	6	1	5	6	6	1	5
Maliciously destroying fruit trees...	1	1	1	1	...	1
Total Number of Misdemeanours	183	164	103	61	34	27	19	8	2	2	1	1	1	1	1	...	13	10	8	2	7	7	7	...	240	211	139	*72	
Total Number of Cases	456	411	262	149	82	69	39	30	10	9	2	7	6	6	4	2	22	16	12	4	10	9	8	1	586	520	327	*193	

* Includes 6 acquittals on grounds of insanity.

QUARTER SESSIONS CASES—continued.

No. 45 (continued)—RETURN showing the Number of QUARTER SESSIONS CASES within the SOUTHERN DISTRICT, during the Year 1878.

OFFENCES.	Bega.				Braidwood.				Cooma.				Goulburn.				Queanbeyan.				Wollongong.				Yass.				Totals.																										
	Committals.	Trials.	Convictions.	Acquittals.	Committals.	Trials.	Convictions.	Acquittals.	Committals.	Trials.	Convictions.	Acquittals.	Committals.	Trials.	Convictions.	Acquittals.	Committals.	Trials.	Convictions.	Acquittals.	Committals.	Trials.	Convictions.	Acquittals.	Committals.	Trials.	Convictions.	Acquittals.	Committals.	Trials.	Convictions.	Acquittals.																							
FELONIES.																																																							
Robbery with violence									1	1		1																				1	1		1																				
Arson									3	2	1	1			3	3			3	1	1													7	6	1	5																		
Stealing from the person	1	1		1																															1	1		1																	
House-breaking															2	2			2																	3	3	2	3																
Stealing in a dwelling-house									1	1	1				1	1			1																		3	3	2	3															
Larceny	1	1		1	6	3	2	1	8	5	3	2	4	4	4		2	2	1	1	3	2	1	1	3	3	3											27	20	14	6														
Receiving stolen property									1	1	1				1	1			1																				2	2	2	1													
Forgery and uttering	1	1		1					1	1	1				1	1			1																					3	3	1	1												
Embezzlement																																											1	1	1										
Horse-stealing									5	3		3																															9	6	3	3									
Cattle-stealing									4	4	3	1																																5	5	3	2								
Sheep-stealing																																													2	2		2							
Feloniously wounding																																														2	2	1	1						
Stealing a letter by post	1	1		1																																											1	1		1					
Manslaughter																																																1	1		1				
Total Number of Felonies	4	4		4	6	3	2	1	24	18	10	8	12	12	5	7	6	5	3	2	7	6	3	3	9	9	5	4	68	57	28																	29							
MISDEMEANOURS.																																																							
Assault					1	1	1																																									1	1	1					
Attempting to commit suicide					1	1	1		1	1	1																																							4	4	2	*2		
Assault with intent to commit a rape															1	1	1																																	1	1		1		
Assault on female children under 12 years of age					1	1		1																																										2	1		1		
Cheating at cards																																																			1	1		1	
Inflicting grievous bodily harm																																																			1	1		1	
Uttering counterfeit coin																																																			1	1		1	
Indecent assault																																																			1	1		1	
Attempt to commit felony									2	1		1																																						2	1		1		
Obtaining money or goods under false pretences									1	1		1			1	1																																				5	5	4	1
Unlawfully using cattle					1	1	1																																												1	1		1	
Unlawfully wounding																																																				1	1		1
Fraudulent insolvency	1	1		1																																															1	1		1	
Defeating the rights of a mortgagee									1	1	1																																									1	1		1
Assault occasioning actual bodily harm															1	1	1																																			3	2	2	
Personation at an election															1	1	1																																		1	1		1	
Total Number of Misdemeanours	1	1		1	4	4	3	1	5	4	2	2	4	4	4		4	3		3	7	6	5	*1	2	2	2		27	24	16																			*8					
Total Number of Cases... ..	5	5		5	10	7	5	2	29	22	12	10	16	16	9	7	10	8	3	5	14	12	8	*4	11	11	7	4	95	81	44																			*37					

* Includes 1 acquittal on the ground of insanity.

QUARTER SESSIONS CASES—continued.

No. 45 (continued)—RETURN showing the Number of QUARTER SESSIONS CASES within the WESTERN DISTRICT, during the Year 1878.

795—H

OFFENCES.	Bathurst.				Dubbo.				Forbes.				Mudgee.				Orange.				Wellington.				Totals.							
	Committals.	Trials.	Convictions.	Acquittals.	Committals.	Trials.	Convictions.	Acquittals.	Committals.	Trials.	Convictions.	Acquittals.	Committals.	Trials.	Convictions.	Acquittals.	Committals.	Trials.	Convictions.	Acquittals.	Committals.	Trials.	Convictions.	Acquittals.	Committals.	Trials.	Convictions.	Acquittals.				
FELONIES.																																
Robbery with violence					1	1	1																		1	1	1		1	1	1	
Shooting with intent to do grievous bodily harm					1	1		1																	1	1			1	1		1
Arson													1	1	1						1				2	1	1		1	1		
Robbery																																
Stealing from the person	3	2	2		4	3	2	1					1	1	1		2	2			2	1	1		11	9	6		3			
Burglary	1																								1							
House-breaking	1	1	1										4	3	3		5	1		1					10	5	4		1			
Stealing in a dwelling-house													2	2	2						1	1	1		3	3	3		3			
Larceny	10	9	7	2	7	6	5	1	12	12	9	3	3				12	11	8	3	4	4		4	48	42	29	13	13			
Receiving stolen property	3	3	3																						3	3	3		3			
Forgery and uttering	3	2	2		2	1	1		4	4	3	1	1	1	1	1	6	6	6		3	3	2	1	19	17	15	2	2			
Embezzlement	2	1	1		2	2		2									2	2	1	1					6	5	2	3	3			
Horse-stealing	7	6	6		7	6	5	1	2	2	1	1	2	2	2		5	5	4	1	2	2	2		25	23	20	3	3			
Cattle-stealing	1				3	2	2		1	1	1						1	1							6	4	3		1			
Sheep-stealing	2	2	1	1	7	7		7	1	1	1		2	1		1	1	1		1	1	1	1		14	13	2	11	11			
Feloniously wounding																	2	2	2						2	2	2		2			
Pig-stealing					1	1		1	1	1		1													2	2		2	2			
Feloniously wounding cattle	2	1	1		1	1		1	2	2	2														5	4	3	1	1			
Escape	1	1	1																						1	1	1		1			
Stealing letters, &c., sent by post	2	2	2																						2	2	2		2			
Total Number of Felonies	39	30	27	3	36	31	16	15	23	23	17	6	16	11	10	1	36	31	21	10	14	12	6	6	164	138	97	41	41			
MISDEMEANOURS.																																
Assault													1	1		1					1	1	1		2	2	1	1	1			
Attempting to commit suicide	3	2	2		2	1	1														1	1	1		6	4	4		1			
Assault with intent to commit a rape																	1	1	1						1	1	1		1			
Inflicting grievous bodily harm	1	1	1		1	1	1														1	2	2		3	2	2		2			
Indecent assault																					2	2	2		2	2	2		2			
Keeping a bawdy-house													1	1	1						1				2	1	1		1			
Attempt to commit felony					1	1	1																		1	1	1		1			
Obtaining money or goods under false pretences	6	3	3		1	1	1		1				4	2	2		4	4	4						16	10	10		10			
Concealing birth																					1	1	1		1	1	1		1			
Unlawfully using cattle	1	1	1		2	2	2																		3	3	3		3			
Unlawfully wounding					1	1	1		1				1	1	1										3	3	2		2			
Perjury	1	1	1																		1	1	1		2	2	2		2			
Abduction	1	1																							1	1		1	1			
Unlawfully pawning																									1	1			1			
Attempt to commit sodomy					1	1	1														1	1	1		2	2	2		2			
Fraudulent insolvency																					1	1	1		1	1	1		1			
Libel																					1				1				1			
Total Number of Misdemeanours	14	9	8	1	9	8	8		2				7	5	4	1	5	5	5		11	8	8		48	35	33	2	2			
Total Number of Cases	53	39	35	4	45	39	24	15	25	23	17	6	23	16	14	2	41	36	26	10	25	20	14	6	212	173	130	43	43			

STATISTICS—1878.

57

No. 45 (continued)—RETURN showing the Number of QUARTER SESSIONS CASES within the NORTH-WESTERN and EASTERN DISTRICT, during the Year 1878.

QUARTER SESSIONS CASES—continued.

Main table with columns for OFFENCES, districts (Bourke, Coonabarabran, Coonamble, Grafton, Port Macquarie, Walgett, Wilcannia), and Totals. Rows include Felonies (Stealing letters by post, Stealing from the person, etc.) and Misdemeanours (Assault, Attempting to commit suicide, etc.).

SUMMARY.

Summary table with columns for DISTRICTS and sub-columns for Committals, Trials, Convictions, and Acquittals. Rows list Metropolitan and Hunter District, Southern District, Western District, South-western District, Northern District, North-western and Eastern, and General Total.

* Includes 6 acquittals on the grounds of insanity.

† Includes 1 acquittal on the ground of insanity.

STATISTICS—1878.

CONVICTIONS.

No. 46.—DECENNIAL RETURN of the Number of CONVICTIONS in the SUPREME and CIRCUIT COURTS and COURTS OF QUARTER SESSIONS.

Year.	Felonies.			Misdemeanors.			Total Number of Convictions.
	Supreme and Circuit Courts.	Courts of Quarter Sessions.	Total.	Supreme and Circuit Courts.	Courts of Quarter Sessions.	Total.	
1869	139	390	529	35	118	153	682
1870	103	331	434	44	123	167	601
1871	127	343	470	38	120	158	628
1872	119	341	460	53	130	183	643
1873	151	303	454	52	141	193	647
1874	127	360	487	65	148	213	700
1875	116	385	501	40	166	206	707
1876	163	439	602	58	150	208	810
1877	133	418	551	51	215	266	817
1878	188	465	653	88	245	333	986

EXECUTIONS.

No. 47.—RETURN of the Number of CRIMINALS EXECUTED during the Year commencing 1st January and ending 31st December, 1878.

Where Executed.	Religion.	Age.	Offence.	Where Born.	Number.
Goulburn	Pagan	21	Murder	China	1

No. 48.—DECENNIAL RETURN of the Number of CRIMINALS EXECUTED.

Year.	Number.	Year.	Number.
1869	...	1874	3
1870	...	1875	2
1871	3	1876	4
1872	3	1877	2
1873	4	1878	1

OFFENCES REPORTED TO THE POLICE.

No. 49.—RETURN showing the number of Offences reported to the Police during the years 1876, 1877, and 1878.

Year.	Total Number of Offences reported.	Offences against the Person.	Offences against Property.	Other Offences (excluding Drunkards).
		No.	No.	No.
1876	19,111	3,863	7,294	7,954
1877	21,604	4,405	7,629	9,570
1878	24,649	4,407	8,740	11,502

APPREHENSIONS AND SUMMONSES.

No. 50.—RETURN showing the number of persons (including cases heard *ex parte*) brought before the Magistrates' Courts by Arrest, Warrant, or Summons, not including Civil Cases, and how their cases were disposed of in the Magistrates' Courts, in the Colony of New South Wales, in the Year 1878.

Nature of Offences.	Total number of Persons brought before the Magistrates' Courts.	Number of Persons.			
		Discharged for want of prosecution, or for want of Evidence.	Whose cases were dismissed on the merits.	Summarily convicted.	Committed for Trial.
Offences against the Person... ..	9,398	2,572	1,307	5,014	505
Offences against Property	6,807	1,325	1,153	3,087	1,242
Other cases (Not including cases brought up for Lunacy.)	37,120	4,523	2,718	29,823	56
Total number of persons summoned or apprehended	53,325	8,420	5,178	37,924	1,803

SUMMARY CONVICTIONS.

No. 51.—RETURN showing the number of Summary Convictions for various classes of Offences, and the kind of Punishments inflicted by the Benches of Magistrates in the Colony, in the Year 1878.

Punishments.	Total Number of Offences.	Offences against the Person.	Offences against Property.	Other Offences.
Fine	22,437	3,532	1,453	17,452
Fine with Imprisonment	6	2	3	1
Imprisonment, in lieu of Fine or Surety	11,369	743	537	10,089
Peremptory Imprisonment	2,327	275	921	1,131
Whipping
Imprisonment with Whipping
Bound over with or without Sureties... ..	458	336	40	82
Other Punishments	1,327	126	133	1,068
Total	37,924	5,014	3,087	29,823

INDICTMENTS AND INFORMATIONS IN THE SUPERIOR COURTS.

No. 52.—RETURN of INDICTMENTS and INFORMATIONS in the SUPREME and CIRCUIT COURTS and COURTS OF QUARTER SESSIONS of the Colony, in the Year 1878.

How the cases tried in the Superior Courts ended.	Total.	Murder other than Wife and Child Murder.	Manslaughter.	Attempt at Murder.	Wife-murder.	Child-murder.	Concealment of Birth.	Abortion.	Rape.	Unnatural Crimes.	The Returns below include the Indictments for Attempts and Conspiracies to commit the several offences.					
											Other Offences against the Person.	Malicious injuries to Property.	Robbery with violence.	Other Offences against Property.	Miscellaneous Offences.	
Supreme and Circuit Courts—																
Judgment for the Crown	259	4	7	5	4	...	11	9	45	4	7	11	152	
Judgment for the Prisoner... ..	155	13	6	4	1	11	8	23	3	...	8	78	
Cases fell through for want of prosecution	20	20	
Prisoner found insane	
	434	17	13	9	4	1	22	17	68	7	7	19	250	
Courts of Quarter Sessions—																
Judgment for the Crown	700	2	...	Attempt to commit. 5 2		94	9	20	504	64	
Judgment for the Prisoner... ..	394	...	1	1	1	58	4	24	266	39	
Cases fell through for want of prosecution	202	...	1	1	...	1	...	18	2	7	141	31	
Prisoner found insane	8	1	7	
	1,304	...	2	4	...	6	3	170	15	51	912	141	
SUMMARY :—																
Judgment for the Crown	959	4	7	5	6	...	16	11	139	13	27	515	216	
Judgment for the Prisoner	549	13	7	4	1	1	11	9	81	7	24	274	117	
Cases fell through for want of prosecution	222	...	1	1	...	1	...	18	2	7	141	51	
Prisoner found insane	8	1	7	
GENERAL TOTAL	1,738	17	15	9	8	1	28	20	238	22	58	931	391	

NOTE.—Where two or more prisoners have been committed for the same offence, they have been entered as separate cases.
N.B.—In the Supreme Court 8 for Riot and Assault were convicted together.

OFFENCES, APPREHENSIONS, CONVICTIONS, &c.

No. 53.—RETURN showing the number of OFFENCES, APPREHENSIONS, CONVICTIONS, and ACQUITTALS, in the Years 1876, 1877, and 1878.

	1876.	1877.	1878.	
	Number.	Number.	Number.	
The number of Offences reported to the Police	19,111	21,604	24,649	
The number of persons apprehended by the Police, or summoned before the Magistrates	45,105	47,739	53,325	
The number of Summary Convictions	1. For Offences against the Person	3,931	4,567	5,014
	2. For Offences against Property...	2,694	2,788	3,087
	3. For other Offences	23,779	25,648	29,823
The number of Convictions in the Superior Courts	1. For Offences against the Person	184	228	188
	2. For Offences against Property...	430	448	555
	3. For other Offences	208	153	216
The number of persons Acquitted	1. In the Inferior Courts	5,575	5,431	5,178
	2. In the Superior Courts	377	369	549

APPREHENSIONS BY THE POLICE, &c., &c.

No. 54.—RETURN showing the Number of PERSONS taken into CUSTODY and SUMMARILY DEALT WITH, COMMITTED FOR TRIAL, or DISCHARGED, and the DEGREE OF INSTRUCTION of same, between the 1st January and 31st December, 1878, inclusive, in the several POLICE DISTRICTS of the Colony.

POLICE DISTRICTS.	BENCHES.	Offences against the Person.								Offences against Property.								Drunkenness.								Degree of Instruction.					
		Taken into custody.		Convicted.		Committed for Trial.		Discharged.		Taken into Custody.		Convicted.		Committed for Trial.		Discharged.		Taken into Custody.		Convicted.		Committed for Trial.		Discharged.		Can read and write.		Can read only.		Cannot read.	
		M.	F.	M.	F.	M.	F.	M.	F.	M.	F.	M.	F.	M.	F.	M.	F.	M.	F.	M.	F.	M.	F.	M.	F.	M.	F.	M.	F.	M.	F.
Albury	Albury	82	9	67	4	4	...	11	5	55	1	20	...	11	...	24	1	157	13	139	8	18	5	250	16	4	1	40	6
	Corowa	32	1	25	1	4	...	3	...	19	...	4	...	7	...	8	...	49	1	28	1	21	...	81	1	10	...	9	1
	Howlong	11	3	8	2	2	...	1	1	10	...	6	...	2	...	2	...	3	...	3	1	...	11	3	2
	Mulwala	7	...	2	...	3	...	2	...	4	...	3	1
	Tumberumba	12	...	9	3	...	4	...	1	...	2	...	1	...	26	...	13	13	...	25	...	8	...	9	...
	Ten-mile Creek	22	...	15	...	2	...	5	...	5	1	...	1	2	...	3	...	9	...	4	5	...	29	...	3	1	4	...
Armidale	Armidale	19	1	13	...	2	1	4	...	17	1	5	1	6	...	6	...	104	3	53	3	51	...	120	4	6	1	14	...
	Bendemeer	1	1	...	1	...	1	19	1	10	9	1	18	...	1	...	2	1
	Uralla	14	...	11	3	...	4	1	1	...	3	...	3	...	43	1	21	1	22	...	54	1	2	1	5	...
	Walcha	4	...	3	1	...	7	...	1	...	4	...	2	...	21	2	14	2	7	...	22	1	...	1	10	...
	Bundarra	9	1	7	1	2	...	2	...	2	...	1	...	1	...	13	...	5	8	...	20	...	1	4
	Balranald	14	2	9	2	5	...	18	...	11	...	3	4	...	4	...	42	4	28	3	14	1	50	4	13	1	11
Bathurst	Bathurst	83	16	69	13	4	...	10	3	119	26	58	16	25	...	36	10	218	51	218	51	4	...	315	63	37	14	68	16
	Sofala	15	2	14	2	1	10	...	10	18	...	14	4	...	27	...	2	...	16	...
	Rockley	10	...	8	2	...	7	1	4	1	...	3	...	10	1	7	1	3	...	15	...	2	2	10	...	
	Oberon	1	1	...	1	2	...	1	...	2	...	2	...	2	...	1	1	...	2	...	2	2	...
Bega	12	...	12	14	...	7	...	1	6	...	6	...	53	1	18	1	35	...	59	1	6	...	14	...
Berrima	Berrima	23	1	22	1	1	...	11	...	8	...	2	...	1	...	14	...	12	2	...	40	...	2	...	6	1
	Moss Vale	3	...	3	1	1	...	4	2	...
Bombala	Bombala	8	...	6	...	2	17	1	1	...	9	1	7	...	6	...	3	3	...	24	...	5	...	2	1
Boorowa	Boorowa	24	...	19	...	2	...	3	...	2	...	1	...	1	...	1	...	47	...	38	9	...	47	...	6	...	20	...
	Binalong	3	2	2	2	1	...	7	1	1	1	4	...	2	...	2	1	1	1	1	...	10	4	2	...
Bourke	Bourke	27	...	14	...	3	...	10	...	54	4	20	...	10	2	24	2	24	4	13	3	11	1	61	4	19	1	25	3
	Louth	8	...	6	2	...	2	...	2	1	...	1	11	8	5
Braidwood	Braidwood	15	4	9	2	1	1	5	1	10	1	3	...	5	...	2	1	6	2	6	1	1	...	16	2	7	...	8	5
	Araluen	7	...	6	1	...	2	2	1	2	3	1	3	1	6	...	6	3
Brewarrina	Brewarrina	30	...	20	...	2	...	8	...	18	...	2	...	6	...	10	...	22	2	19	2	3	...	50	2	2	...	18	...
	Goodooga	6	...	4	2	...	2	...	1	...	1	1	...	1	6	...	3
	Erriagunnia
Brisbane Water	Gosford	3	...	3	5	1	4	...	1	...	1	...	17	3	9	2	8	1	19	2	1	1	5	1
	Cooranbong	1	1	1	...	1	2
Broulee	Moruya	18	1	4	1	14	...	1	1	...	10	1	3	7	1	19	...	2	...	8	2
	Nelligen	3	...	3	3
	Nerrigundah	6	...	4	2	...	1	1	...	5	2	4	1	2	12	...	2
Camden, Narellan, & Picton	Bateman's Bay	1	...	1	3	2	...	1	...	8	...	3	5	...	6	...	2	...	4	8	
	Camden	1	...	1	11	1	6	1	2	...	3	...	21	7	21	7	24	9	8
Campbelltown	Picton	1	...	1	2	...	1	...	1	10	...	10	8	...	2	...	3	...
	Campbelltown	41	5	33	3	8	2	6	1	4	1	2	70	6	31	4	39	2	89	10	22	...	6	2

No. 54 (continued)—RETURN OF APPREHENSIONS BY THE POLICE, &C.—continued.

795—1

POLICE DISTRICTS.	BENCHES.	Offences against the Person.								Offences against Property.								Drunkenness.								Degree of Instruction.					
		Taken into Custody.		Convicted.		Committed for Trial.		Discharged.		Taken into Custody.		Convicted.		Committed for Trial.		Discharged.		Taken into Custody.		Convicted.		Committed for Trial.		Discharged.		Can read and write.		Can read only.		Cannot read.	
		M.	F.	M.	F.	M.	F.	M.	F.	M.	F.	M.	F.	M.	F.	M.	F.	M.	F.	M.	F.	M.	F.	M.	F.	M.	F.	M.	F.	M.	F.
Carcoar	Carcoar	15	I	II	I	I	...	3	...	10	4	3	2	3	I	4	I	27	2	6	21	2	39	2	5	I	8	4
	Tuena	4	I	I	...	3	I	1	...	2	...	I	I
	Trunkey Creek	3	...	I	2	...	8	...	I	...	5	...	2	...	2	I	2	I	8	I	I	...	4	...
Cassilis	Blayney	3	...	2	I	...	3	...	I	...	I	...	I	...	17	3	14	3	3	...	16	I	I	...	6	2
	Cassilis	7	I	4	3	I	7	...	2	...	5	7	I	4	I	3	...	12	I	9	I
	Merriwa	32	I	17	I	15	...	8	...	3	...	3	...	2	...	18	I	6	12	I	45	2	3	...	10	...	
Cooma	Denison Town (Talbragar)	3	3	3	
	Cooma	9	...	3	...	2	...	4	...	30	5	7	...	12	3	II	2	28	I	17	I	11	...	36	2	11	2	20	2
	Nimitybelle	6	...	4	2	...	6
Coonamble	Buckley's Crossing (Snowy River)	5	...	5	2	...	2	9	...	9	11	...	5	
	Seymour	3	2	2	I	I	I	2	...	2	4	I	I	I	
	Coonamble	73	2	55	2	2	...	16	...	44	...	16	...	15	...	19	...	67	3	32	35	3	144	...	22	...	18	5
Cowra	Coonabarabran	6	...	I	...	2	...	3	...	13	I	2	...	6	...	5	I	16	5	12	3	4	2	22	5	2	I	11	...
	Baradine	2	...	2	1
	Coolah	4	4	18	...	18	12	...	8	...	2	...
Deniliquin	Cowra	65	II	36	8	6	...	23	3	16	I	-3	I	4	...	9	...	52	I	16	I	36	...	100	5	15	...	18	8
	Canowindra
	Deniliquin	27	4	9	I	...	2	18	I	67	13	24	3	24	I	19	9	185	19	158	18	27	I	250	21	I	6	28	9
Dowling	Moulamein	3	...	2	5	...	2	...	2	...	I	...	5	...	4	I	...	13
	Jerilderie	4	I	3	...	I	I	4	...	4	22	...	7	22	...	30	I
	Tocumwall	4	I	I	I	3	...	7	...	4	...	2	...	I	...	12	...	7	5	...	18	I	2	...	3	...
Dubbo	Milton	3	...	I	...	2	I	I	I	...	I	12	...	8	4	...	12	I	I	...	3	...
	Dubbo	35	6	10	I	10	I	15	4	56	6	26	2	11	I	19	3	97	26	65	9	32	17	84	22	40	6	64	10
	Cannonbar	3	...	2	I	...	8	...	6	...	2	7	I	6	I	I	...	16	...	I	I	I	...
Dungog	Warren	2	...	I	7	3	...	4	...	8	I	6	I	2	...	12	...	3	I	2	...
	Dandaloo	I	I	4	2	...	2	3	2	...
	Dungog	19	I	11	I	8	...	I	...	1	37	...	14	23	...	45	I	4	...	8	...
Eden	Clarence Town	5	...	2	...	I	...	2	4
	Eden	2	...	I	6	...	4	...	I	...	I	...	2	I	2	I	5	I	I	...	2	...
	Panbula	2
Forbes	Forbes	32	3	17	I	4	...	11	2	18	3	8	3	7	...	3	...	82	30	51	21	31	9	90	27	17	6	25	3
	Parke	5	I	I	...	I	4	...	14	4	3	...	7	2	4	2	...	32	6	10	3	22	3	37	6	10	3	4	2
	Condobolin	17	I	14	I	I	14	...	I	...	9	...	4	...	3	...	3	23	I	3	...	8	...
Glen Innes	Glen Innes	144	4	137	3	6	I	15	...	7	...	6	...	2	...	60	...	59	I	...	99	2	59	...	61	2
	Goulburn	146	15	119	13	3	...	18	2	41	3	24	...	7	...	10	3	86	12	46	8	40	4	190	22	10	2	67	6
	Binda
Grafton	Collector	...	2	...	2	I	I	I
	Crookwell	3	...	I	...	I	...	I	...	2	...	I	...	I	4	I	4	I	9	I	
	Lumley
Grenfell	Grafton	64	2	35	...	21	I	8	I	16	2	4	...	8	I	4	I	140	13	115	8	25	5	189	12	3	I	28	4
	Lawrence	2	...	2	12	...	9	3	...	12	2	...
	Macleane (Rocky Mouth)	11	...	10	...	I	5	...	3	...	2	20	...	16	4	...	32	4	...
Grenfell	Grenfell	5	...	2	...	I	...	2	...	15	...	6	...	6	...	3	...	22	...	9	13	...	37	...	2	...	3	...
	Morangarell	I	I	4	...	3	I	...	5

STATISTICS—1878.

No. 54 (continued)—RETURN OF APPREHENSIONS BY THE POLICE, &c.—continued.

POLICE DISTRICTS.	BENCHES.	Offences against the Person.								Offences against Property.								Drunkenness.								Degree of Instruction.					
		Taken into Custody.		Convicted.		Committed for Trial.		Discharged.		Taken into Custody.		Convicted.		Committed for Trial.		Discharged.		Taken into Custody.		Convicted.		Committed for Trial.		Discharged.		Can read and write.		Can read only.		Cannot read.	
		M.	F.	M.	F.	M.	F.	M.	F.	M.	F.	M.	F.	M.	F.	M.	F.	M.	F.	M.	F.	M.	F.	M.	F.	M.	F.	M.	F.	M.	F.
Gundagai ...	Gundagai ...	37	1	30	1	2	...	5	...	16	...	6	...	8	...	2	...	50	4	50	4	82	...	3	5	18	...
	Adelong ...	15	1	12	1	2	...	1	...	2	...	1	1	...	8	...	7	1	...	12	...	8	...	5	1
	Cootamundra ...	40	4	35	4	2	...	3	...	23	...	8	...	5	...	10	...	31	2	26	1	5	1	80	1	8	2	6	3
Gunnedah...	Gunnedah ...	30	6	19	4	1	...	10	2	50	1	...	34	...	16	1	86	5	76	5	...	10	...	132	9	2	...	32	3		
	Boggabri ...	8	...	6	2	...	7	...	1	...	4	...	2	...	9	...	8	1	...	22	2	...
	Tamba Springs ...	1	1	3	1	...	2	...	1	...	1	5	
Hartley ...	Hartley ...	12	...	9	3	...	15	...	10	...	3	...	2	...	1	...	1	1	...	20	...	3	...	5	...
	Rydal	1	3	...	1	...	3	...	1	2	...	3	1	...
	Lithgow ...	15	1	13	...	2	17	...	7	...	5	...	5	...	1	...	1	2	...	29	1	3	...	1	...
	Wallerawang ...	2	2	7	2	1	...	3	...	3	2	3	...	3	11	1	3	...	1	...
Inverell ...	Inverell ...	5	...	2	...	2	...	1	...	20	3	9	3	5	...	6	...	63	2	29	1	...	34	1	66	3	4	...	18	2	
	Ashford	1	1	1	
	Tingha ...	7	2	2	1	3	...	2	1	2	1	1	1	...	1	...	7	1	6	1	...	1	...	7	...	8	4	2	...	6	...
Kiama ...	Kiama ...	34	...	26	...	4	...	4	...	6	1	4	...	1	1	1	...	22	...	15	7	...	47	1	1	...	14	...	
Liverpool ...	Liverpool ...	8	...	6	...	2	16	1	12	1	2	...	2	...	42	7	17	4	...	25	3	49	5	6	1	11	2	
Macleay River ...	West Kempsey ...	16	1	8	...	4	...	4	1	4	...	3	1	...	13	...	13	22	1	7	...	4	...		
	Boat Harbour ...	3	...	1	2	...	6	...	2	...	3	...	1	...	1	...	1	6		
	Nambucca...	1	...	1	1	
	Gladstone (Darkwater) ...	4	...	1	...	1	...	2	4	...	4	2	6	...	
	Congarina	
	Macleay	
Maitland ...	East Maitland ...	48	5	12	5	2	...	34	...	9	2	4	1	5	...	1	44	9	22	5	...	22	4	23	3	9	1	60	12		
	West Maitland ...	86	12	43	11	1	...	42	1	29	2	21	1	7	...	1	223	58	102	42	...	121	16	241	38	32	23	65	11		
	Morpeth ...	16	6	...	6	1	...	15	...	4	...	4	22	6	19	4	...	3	2	31	7	2	2	9	3		
	Cessnock ...	1	3	1	...	2	...	4	...	4	7	2	...	
	Greta ...	4	2	...	2	...	1	...	1	1	...	1	7	2	...	
	Branxton ...	3	1	...	2	...	5	1	4	...	3	1	1	...	2	...	5	1	1	...	5	...		
Manning River ...	Wingham ...	4	...	2	2	...	2	...	1	1	...	2	...	1	1	...	6	1	1	...	1	...	
	Cundletown ...	6	1	2	...	3	...	1	1	1	...	1	1	...	2	...	1	1	...	6	3	1	
	Taree ...	2	...	1	1	...	3	3	4	1	...	
	Tinonee	
	Camden Haven	
Metropolitan ...	Central Police Office	2037	1183	1549	1022	64	13	424	148	889	271	457	132	167	53	265	86	4476	2539	4160	2415	...	316	124	6912	3518	42	86	448	389	
	Water Police Office	1681	451	1201	374	92	12	388	65	586	162	310	92	175	27	101	43	2328	845	2293	828	...	35	17	4087	1226	51	31	457	201	
Mitchell ...	Menindee ...	3	1	2	...	1	4	...	2	...	1	...	1	...	15	...	13	2	...	20	1	1	...	1	...	
	Wilcannia ...	18	1	10	1	8	...	30	2	6	1	10	...	14	1	265	13	251	13	...	14	...	285	11	12	...	16	5	
Moama ...	Moama ...	16	2	12	1	4	1	19	...	7	...	7	...	5	...	15	...	10	5	...	41	2	1	...	8	...	
	Mathoura. (Redbank) ...	1	...	1	2	...	2	2	...	3	1	2	...	1	1	2	...	3	2		
Molong ...	Molong ...	46	2	36	2	1	...	9	...	12	...	3	...	5	...	4	...	54	1	27	27	1	88	1	4	...	20	2	
	Toogong	6	...	3	...	3	6	
	Obley ...	4	1	...	3	...	1	...	1	...	1	6	4	2	...	9	2	...	
Mudgee ...	Mudgee ...	44	7	30	7	3	...	11	...	22	2	8	...	8	...	6	...	43	13	30	11	...	13	2	94	13	...	6	15	3	
	Hargraves (Louisa Creek) ...	1	...	1	10	...	2	...	3	...	5	...	6	...	7	7	...	7	10	...	
	Gulgong ...	66	4	26	3	8	1	32	...	22	5	5	1	7	2	10	2	30	7	12	4	...	18	3	22	6	6	2	90	8	
	Wollar	1	...	1	1	...	1	1	

No. 54 (continued)—RETURN OF APPREHENSIONS BY THE POLICE, &c.—continued.

POLICE DISTRICTS.	BENCHES.	Offences against the Person.								Offences against Property.								Drunkenness.								Degree of Instruction.					
		Taken into Custody.		Convicted.		Committed for Trial.		Discharged.		Taken into Custody.		Convicted.		Committed for Trial.		Discharged.		Taken into Custody.		Convicted.		Committed for Trial.		Discharged.		Can read and write.		Can read only.		Cannot read.	
		M.	F.	M.	F.	M.	F.	M.	F.	M.	F.	M.	F.	M.	F.	M.	F.	M.	F.	M.	F.	M.	F.	M.	F.	M.	F.	M.	F.	M.	F.
Murrurundi	Murrurundi	6		4				2		20		5		12		3		15		11				4		30		8		3	
	Wallabadah	3	1	2				1	1	3	2					3	2	1					1		4				3	3	
	Quirindi	12	1	6	1	2		4		28	2	11	1	6		11	1	8	1	8	1				29	2	1	1	18	1	
Muswellbrook and Merton	Muswellbrook	25	7	17	5	1		7	2	17		7		6		4		62	8	31	3			31	5	60	3	25	2	19	10
	Denman	2		2						3						3		4		2				2		9					
Narrabri	Narrabri	13		5		1		7		16	3	2		11		3	3	56	6	52	6			4		72	8	4	1	9	
	Wee Waa									1						1		5		4				1		4				2	
	Pilliga									2		1		1				1		1						3					
Newcastle	Newcastle	107	5	59	2	15	1	33	2	122	32	64	21	25	6	33	5	702	81	686	80			16	1	789	64	18	15	124	39
	Waratah	16	1	2		6	1	8		13		8		1		4		12		12						23	1	4		14	
Orange	Orange	152	13	85	5	3		64	8	46	1	12		24	1	10		186	13	64	2			122	11	334	17	2	2	48	8
Oxley	Oxley	72	10	52	9	2		18	1	51	7	18	1	18	1	15	5	298	6	142	4			156	2	370	17	11	1	40	5
	Booligal	7		5		1		1		2								9		3				6		18					
	Hillston	8	2	6	2			2		8		2		5		1		1						1		13	1	1	1	3	
	Mossgiel	7	1	5	1			2		3		1		1		1		5	2	2	1			3	1	15	1				2
	Euabalong	3		2		1				6		1		3		2		1						1		7				3	
Parramatta	Parramatta	11		4		4		3		41	4	23	2	5	2	13		159	24	62	9			97	15	111	12	15	3	85	13
	Ryde	22		21				1		6		2				4		13		12				1		28		1		12	
Paterson	Paterson	11	1	9	1	1		1		3		1		1		1		9		9						11		2		10	1
Patrick's Plains	Singleton	40	4	22	4	4		14		35		10		8		17		51	19	48	14			3	5	107	8	1		18	15
	Jerry's Plains	3		3						1		1						7	3	7	3					10	3			1	
	Broke									1		1						1						1							
	Darlington																														
Penrith	Penrith	81	15	69	14	7		5	1	20	2	12		4		4	2	99	12	75	11			24	1	175	20	1		24	9
Port Macquarie	Port Macquarie	10		3				7		7		8		4		4		14		7				7		20		2		16	
Port Stephens	Stroud	9		1		1		7		7		6				1		7		5				2		14		6		3	
	Bullah Delah	3		2				1										9		7				2		10		2			
	Forster	1		1																						1					
Queanbeyan	Queanbeyan	17	3	5	2	3		9	1	11		3		7		1		23		17				6		33	1	1		17	2
	Bungendore																	3		1				2		2		1			
	Gundaroo									4		3		1				2		1				1		4		1		1	
	Michelago																														
Raymond Terrace	Raymond Terrace	10	2	10	2					7		1		1		5		18	2	10	2			8		29				6	4
Richmond River	Casino	14		11		1		2		6		2		2		2		21		18				3		32		4		5	
	Drake																														
	Ballina	9		6				3		4	1	1		2		2		4		4						16				1	1
	Lismore	6		6						6		4		2		2		22		14				8		29		2		3	
	Woodburn																														
Rylstone	Rylstone	2	2							17		5		6		6		7	1	5	1			2		18	2	1		7	1
Scone	Scone	18	3	16	1			1	1	7		2		2		3		14	1	7	1			7		24	1	1		14	3
Shoalhaven	Nowra	26		18		3		5		14		7		5		2		6		4				2		27		7		12	
	Broughton Creek	6		5				1		3		3						10		9				1		19					
	Numba																														

No. 54 (continued)—RETURN OF APPREHENSIONS BY THE POLICE, &C.—continued.

POLICE DISTRICTS.	BENCHES.	Offences against the Person.								Offences against Property.								Drunkness.								Degree of Instruction.					
		Taken into Custody.		Convicted.		Committed for Trial.		Discharged.		Taken into Custody.		Convicted.		Committed for Trial.		Discharged.		Taken into Custody.		Convicted.		Committed for Trial.		Discharged.		Can read and write.		Can read only.		Cannot read.	
		M.	F.	M.	F.	M.	F.	M.	F.	M.	F.	M.	F.	M.	F.	M.	F.	M.	F.	M.	F.	M.	F.	M.	F.	M.	F.	M.	F.	M.	F.
Tamworth...	Tamworth...	80	22	64	12	6	2	10	8	68	10	32	2	24	4	12	4	68	15	58	10	10	5	147	35	14	6	55	6
	Nundle	7	1	5	2	1	14	...	2	...	10	...	2	...	10	4	6	3	4	1	28	3	1	2	2	...
	Barraba	1	...	1	3	...	1	2	...	11	1	10	1	1	...	6	...	2	...	7	...
	Manilla
Tenterfield	Tenterfield	48	5	41	5	2	...	5	...	15	2	5	1	7	...	3	1	54	6	50	6	4	...	64	10	7	...	46	3
	Wilson's Downfall	1	...	1	1	...	1	1	1	...
Tamut	Tamut	12	1	3	...	7	...	2	1	17	1	7	...	4	1	6	...	79	1	68	1	11	...	100	3	3	...	5	...
Tweed River	Cudgen
	Murwillumbah	6	...	6	2	1	2	1	1	...	1	9	1
Vegetable Creek	Vegetable Creek	9	...	5	...	3	...	1	...	9	3	6	...	2	1	1	2	63	6	48	2	15	4	54	3	6	...	21	6
Wagga Wagga	Wagga Wagga	166	21	94	9	21	4	51	8	67	9	24	3	23	6	20	...	96	43	42	25	54	18	278	38	32	27	19	8
	Narrandera	7	...	2	...	2	...	3	...	10	...	3	...	5	...	2	...	21	6	19	4	2	2	19	3	9	1	10	2
	Urana	32	1	20	12	1	...	14	...	6	...	1	...	7	...	17	...	11	6	...	59	1	3	...	1	...
Walgett	Walgett	18	1	7	1	5	...	6	...	26	...	8	...	10	...	8	...	79	...	23	56	...	62	...	42	1	19	...
	Mogil Mogil	1	1	7	...	1	...	3	...	3	7	...	1
Warialda	Warialda	37	1	26	...	2	...	9	1	7	3	...	4	...	50	1	38	12	1	52	1	27	...	15	1
	Bingera	13	2	11	2	2	...	10	...	3	...	3	...	4	...	12	1	8	1	4	...	30	1	1	...	4	2
	Moree	5	...	3	...	2	12	6	...	6	...	1	1	...	13	...	3	...	2	...
	Yetman	2	...	2	4	3	...	1	5	...	1
Wellington	Wellington	41	14	24	9	11	3	6	2	31	3	4	1	11	2	16	...	22	11	9	6	13	5	62	15	19	7	13	6
	Stony Creek	4	2	...	2	...	8	6	...	2	...	1	...	1	7	...	2	...	4	...
	Tambaroora	2	...	2	1	1	...	6	5	5	5	1	...	4	4	6
	Hill End	28	1	23	1	5	...	11	1	5	...	5	...	1	1	27	8	18	6	9	2	38	3	2	1	26	6
	Montefiores
Wentworth	Wentworth	18	...	9	9	...	14	...	6	...	3	...	5	...	80	1	59	21	1	92	...	6	1	14	...
	Euston	5	...	4	7	...	4	3	...	11	...	6	5	...	23
	Pooncaira	4	...	2	2	...	2	1	...	1	...	1	1	...	6	1	...
	Moorna
Windsor	Windsor	48	1	32	...	2	...	14	1	20	2	8	...	2	...	10	2	57	1	32	25	1	65	2	45	...	15	2
	St. Albans	1	1	...	1
	Richmond
Wollombi	Wollombi	2	1	1	1	1	...	2	2	...	1	1	...	2	1	1	...	2	...
	Ellalong
Wollongong	Wollongong	13	...	8	...	1	...	4	...	15	3	10	3	1	...	4	...	138	10	108	7	30	3	113	9	5	1	48	3
Yass	Yass	11	1	7	1	3	...	1	...	9	2	2	1	4	...	3	1	83	28	60	19	23	9	70	21	33	10
	Gunning	1	...	1	5	...	1	...	4	1	1	...	7
Young	Young	131	18	115	15	4	2	12	1	26	5	12	1	7	2	7	2	141	29	96	20	45	9	12	23	248	12	38	17
	Murrumburrah	4	...	3	1	...	6	...	1	...	4	...	1	...	42	...	41	1	...	34	...	6	...	12	...
	GENERAL TOTAL	7127	1958	5019	1613	439	52	1669	293	3766	643	1636	309	1068	125	1062	209	13116	4108	10871	3768	2245	340	19725	5447	1224	305	3060	957

PART III

TRADE AND COMMERCE.

CONTENTS.

Number of Return.		Page.
55	Total Value in Sterling of the Imports and Exports of the Colony, from and to, each Country	70
56	General Imports—Quantities and Values	71
57	General Exports—Quantities and Values	100
58	*Decennial Return of the Quantities and Values of Articles Imported	137
59	*Decennial Return of the Quantities and Values of Articles Exported	146
60	Decennial Return of the Total Value of Imports into the Colony, distinguishing the Countries from whence Imported	162
61	Decennial Return of the Total Value of Exports from the Colony, distinguishing the Countries to which Exported	163
62	Decennial Return of the Total Value of Articles Exported, the produce or manufacture of the Colony, &c.	164
63	Decennial Return of Live Stock Imported into the Colony, Seaward and Overland—Number and Value	164
64	Decennial Return of Live Stock Exported, Seaward and Overland—the Produce of the Colony—Number and Value	165
65	Decennial Return of the Quantity and Value of Wool Exported, Seaward and Overland—the Produce of the Colony	165
66	Decennial Return of the Quantity and Value of Tallow Exported, Seaward and Overland— the Produce of the Colony	165
	Shipping—	
67	Vessels Inwards, distinguishing Steam from Sailing Vessels, and the Countries from whence arrived	166
68	" Nationality of	168
69	" Ports at which entered	168
70	" Decennial Return	168
71	Vessels Outwards, distinguishing Steam from Sailing Vessels, and the Countries to which departed	169
72	" Nationality of	171
73	" Ports from which departed	171
74	" Decennial Return	171
75	Vessels Built and Registered—Description, with Number and Tonnage	172
76	" Decennial Return	172
77	Return of Stocks in Bonded Warehouses at the end of the year	172
78	Revenue collected by the Customs during the years 1877 and 1878	173

* Exclusive of the Overland Trade from 1869 to 1876 inclusive.

IMPORTS AND EXPORTS.

No. 55.—RETURN showing the Total Value in Sterling of the IMPORTS and EXPORTS of the Colony from and to each Country, in the Year 1878.

Countries.	Imports from—	Exports to—	Excess of Imports.	Excess of Exports.
United Kingdom (Seaward)	£ 6,658,628	£ 5,516,437	£ 1,142,191	£
BRITISH COLONIES.				
Victoria { Seaward ... Overland ...	1,539,788 1,357,715	1,032,795 2,661,639	506,993 1,303,924
	2,897,503	3,694,434	796,931
South Australia { Seaward ... Overland ...	502,486 387,205	98,888 954,754	403,598 567,549
	889,691	1,053,642	163,951
Queensland { Seaward ... Overland ...	1,803,843 9,919	1,160,892 60,729	642,951 50,810
	1,813,762	1,221,621	592,141
Tasmania Seaward ...	286,343	75,453	210,890
New Zealand " "	245,907	588,419	342,512
Western Australia " "	278	278
Point de Galle " "	22,338	22,338
Hong Kong " "	211,439	153,860	57,579
Mauritius " "	226,367	12,859	213,508
Madras " "	4,697	4,697
Ceylon " "	3,894	32,719	28,825
Calcutta " "	5,726	5,726
Cape Town " "	429	429
Bombay " "	6,265	6,265
Singapore " "	54,854	6,199	48,655
Fiji Islands " "	23,738	102,693	78,955
Rangoon " "	1,882	1,882
Vancouver's Island } " "	2,823	2,823
India " "	267	267
Tuticorin " "	4,990	4,990
Lacepede Islands " "	8	8
British Columbia " "	20,759	20,759
Lord Howe Island " "	370	370
Total { Seaward ... Overland ...	4,945,645 1,754,839	3,288,623 3,677,122	1,657,022 1,922,283
Total British Colonies	6,700,484	6,965,745	265,261
FOREIGN STATES (Seaward).				
France	38,127	9,934	28,193
Belgium	16,737	16,737
Sweden	3,005	3,005
United States { San Francisco ... Portland ...	622,261	126,752	493,456
		2,053		
China	245,263	26,054	219,209
Java	200,013	27,273	172,740
New Caledonia	140,873	151,516	10,643
Formosa	33,451	33,451
South Sea Islands	58,127	52,166	5,961
Honolulu	1,630	10,745	9,115
Ilo Ilo	10,500	10,500
New Guinea	190	979	789
Japan	24,657	29,571	4,914
Petropaulovski	5,243	5,243
Hambugh	6,390	6,390
Callao	4,784	4,784
Nagapatam	8,038	8,038
Valparaiso	7,542	7,542
Manila	14,927	14,468	459
Zebu	189	189
Total Foreign States	1,409,761	483,697	926,064
Total { Seaward ... Overland ...	13,014,034 1,754,839	9,288,757 3,677,122	3,727,277 1,922,283
GENERAL TOTAL	14,768,873	12,965,879	1,802,994

STATISTICS—1878.

71

IMPORTS.

No. 56.—GENERAL IMPORTS into the Colony, in the Year 1878.

Articles.	Countries whence Imported.	Importations.		Entered for Home Consumption.	Duty.					
		Quantities.	Value.		Gross amount received.	Rate, and when imposed.				
Acids ...	Great Britain ...	1,135 cases	£ 7,298	£ s. d.	34 Vic. No. 21.				
	Victoria ...	942 "	2,514							
	South Australia ...	44 "	653							
	Queensland ...	29 "	155							
	New Zealand ...	1 "	7							
	Singapore ...	5 "	7							
		2,156 cases	10,634			Free.				
Aerated Waters ...	Great Britain ...	2,179 pkgs.	2,250						
	Victoria ...	1,532 "	1,938							
	South Australia ...	2,965 "	2,990							
	Queensland ...	15 "	35							
	Tasmania ...	16 "	8							
	Hong Kong ...	15 "	24							
Singapore ...	5 "	8								
		6,727 pkgs.	7,253			Free.				
Antimony Ore ...	Queensland ...	59 tons	650						
	New Caledonia ...	54 "	455							
		113 tons	1,105							
						Free.				
Anchors ...	Great Britain ...	862 No.	983						
	Victoria ...	7 "	76							
	Queensland ...	1 "	7							
	New Zealand ...	1 "	10							
	New Caledonia ...	2 "	35							
		873 No.	1,111			Free.				
Agricultural Imple- ments ...	Great Britain ...	1,338 pkgs.	16,715						
	Victoria ...	2,774 "	22,712							
	South Australia ...	33 "	498							
	Queensland ...	29 "	217							
	New Zealand ...	9 "	60							
	Fiji ...	3 "	12							
	United States ...	685 "	2,917							
	South Sea Islands ...	1 "	13							
		4,872 pkgs.	43,144			Free.				
Apparel, Wearing...	Great Britain ...	12,122 pkgs.	499,529						
	Victoria ...	5,711 "	129,055							
	South Australia ...	119 "	4,851							
	Queensland ...	342 "	2,859							
	Tasmania ...	67 "	487							
	New Zealand ...	119 "	1,142							
	Point de Galle ...	12 "	247							
	Hong Kong ...	161 "	3,345							
	Singapore ...	7 "	274							
	Fiji ...	13 "	69							
	New Guinea ...	5 "	30							
	United States ...	36 "	841							
	South Sea Islands ...	54 "	386							
	New Caledonia ...	23 "	169							
Java ...	2 "	3								
		18,793 pkgs.	643,287			Free.				
Arms and Ammunition. Guns	Great Britain ...	649 cases	16,191						
	Victoria ...	177 "	4,121							
	South Australia ...	13 "	243							
	Queensland ...	28 "	343							
	New Zealand ...	2 "	33							
	Point de Galle ...	8 "	135							
	Singapore ...	1 "	16							
	South Sea Islands ...	3 "	29							
	Hong Kong ...	2 "	5							
	Fiji ...	1 "	20							
	United States ...	24 "	869							
			908 cases				22,005			Free.
	Gun caps	Great Britain ...	48 cases				1,003		
Victoria ...		8 "	103							
South Australia ...		3 "	14							
New Zealand ...		1 "	14							
		60 cases	1,134			Free.				

IMPORTS—*continued.*

Articles.	Countries whence Imported.	Importations.		Entered for Home Consumption.	Duty.			
		Quantities.	Value.		Gross Amount received.	Rate, and when imposed.		
Arms and Ammunition— <i>contd.</i>	Cartridges ...	Great Britain ...	1,706 cases	£ 6,941	34 Vic. No. 21.	£ s. d.		
		Victoria ...	612 "	637				
	South Australia ...	11 "	113					
	Queensland ...	3 "	3					
	United States ...	21 "	144					
		2,353 cases	7,838	Free.				
	Swords ...	Great Britain ...	4 cases	76			Free.	
		Victoria ...	2 "	75				
		6 cases	151	Free.				
	Shot...	Great Britain ...	6,848 cwt.	8,090				3,957 cwt.
		Victoria ...	663 "	1,318				
		South Australia ...	94 "	176				
Queensland ...		8 "	13					
Tasmania ...		132 "	231					
United States ...	33 "	46						
	7,778 cwt.	9,874	17 Mar., 1871. 5s. per cwt.					
Arrowroot...	Great Britain ...	71 cwt.	164	Free.				
	Victoria ...	35 "	114					
	Queensland ...	1,384 "	2,679					
	South Australia ...	17 "	58					
	South Sea Islands ...	30 "	33					
	Fiji ...	255 "	326					
	Hong Kong ...	29 "	37					
	Singapore ...	20 "	41					
	1,841 cwt.	3,452	Free.					
Bags and Sacks ...	Great Britain ...	18,762 doz.	8,600		58,840 doz.			
	Victoria ...	32,107 "	12,275					
	South Australia ...	6,501 "	2,511					
	Queensland ...	259 "	68					
New Zealand...	307 "	142						
	57,936 doz.	23,596	17 Mar., 1871. 1s. per doz.					
Bags, Gunny ...	Great Britain ...	2,204 doz.	799	2,386 dozen				
	Victoria ...	453 "	108					
	Queensland ...	132 "	20					
	2,789 doz.	927	17 Mar., 1871. 6d. per dozen.					
Bark ...	Victoria ...	2,354 tons	17,715			Free.		
	South Australia ...	100 "	785					
	Tasmania ...	2,036 "	12,459					
	New Caledonia ...	$\frac{1}{2}$ "	2					
	4,490 $\frac{1}{2}$ tons	30,961	Free.					
Baskets and Basket-ware ...	Great Britain ...	105 pkgs.	1,461		Free.			
	Victoria ...	460 "	771					
	South Australia ...	20 "	44					
	Tasmania ...	883 "	718					
	Hong Kong ...	510 "	426					
	United States ...	8 "	189					
	China...	2 "	8					
	Java ...	600 "	168					
	2,588 pkgs.	3,785	Free.					
Beche-le-mer ...	Queensland ...	49 tons	3,927	Free.				
	Fiji ...	77 "	3,331					
	New Zealand ...	$\frac{1}{2}$ "	40					
	South Sea Islands ...	99 "	7,642					
	New Caledonia ...	59 "	4,241					
	284 tons	19,181	Free.					
Beer in wood ...	Great Britain ...	314,200 galls.	40,040		473,225 galls.			
	Victoria ...	93,271 "	10,720					
	South Australia ...	42,727 "	4,339					
	Queensland ...	75 "	8					
	Tasmania ...	3,457 "	533					
	453,730 galls.	55,640	9 March, 1871. 6d. per gallon.					

STATISTICS—1878.

73

IMPORTS—continued.

Articles.	Countries whence Imported.	Importations.		Entered for Home Consumption.	Duty.	
		Quantities.	Value.		Gross Amount received.	Rate, and when imposed.
Beer in Bottle	Great Britain ... Victoria ... South Australia ... Queensland ... New Zealand ... United States ...	538,327 gallons	£ 119,648	587,546 gallons	£ 22,033 s. 0 d. 1	34 Vic. No. 21. 9 Mar., 1871. 9d. per gallon.
		649,784 gallons	146,571			
Biscuits	Great Britain ... Victoria ... South Australia ... Queensland ... New Zealand ... Singapore ... United States ...	73,207 lbs.	1,356	517,639 lbs.	2,156 16 7	17 Mar., 1871. 1d. per lb.
		461,214 "	12,780			
Blacking	Great Britain ... Victoria ... South Australia ... Queensland ... Tasmania ... Singapore ... United States ...	20,529 "	684	1,353 pkgs.	3,618	Free.
		336 "	10			
Blue	Great Britain ... Victoria ... South Australia ... Queensland ... United States ...	4,000 "	57	249,964 lbs.	6,798	256,711 lbs. 1,069 12 7 17 Mar., 1871. 1d. per lb.
		19 "	1			
Boats	Great Britain ... Victoria ... South Australia ... Queensland ... Tasmania ... Hong Kong ... Fiji Islands ... United States ...	3 "	28	33 No.	737	Free.
		25 "	49			
Bricks	Great Britain ... Victoria ... Queensland ...	19,746 No.	148	47,071 No.	201	Free.
		26,125 "	50			
Brushware	Great Britain ... Victoria ... South Australia ... Queensland ... Singapore ... Hong Kong ... Fiji Islands ... New Caledonia ... United States ... China ...	1,200 "	3	2,527 pkgs.	25,045	Free.
		420,248 No.	1,772			
Butter	Great Britain ... Victoria ... South Australia ... Queensland ... Tasmania ... New Zealand ... Fiji Islands ... South Sea Islands ... New Caledonia ...	6,074 "	190	4,035 cwt.	21,379	Free.
		1,100 "	6			
		100,000 "	630			
		791 pkgs.	16,314			
		714 "	3,544			
		85 "	286			
		12 "	150			
		1 "	2			
		126 "	200			
		48 "	105			
		1 "	3			
		748 "	4,437			
		1 "	4			
		57 cwt.	176			
		2,531 "	13,571			
		119 "	572			
		56 "	249			
		98 "	562			
		1,157 "	6,151			
		5 "	24			
		2 "	10			
		10 "	64			

IMPORTS—*continued.*

Articles.	Countries whence Imported.	Importations.		Entered for Home Consumption.	Duty.	
		Quantities.	Value.		Gross Amount received.	Rate, and when imposed.
Candles ...	Great Britain ...	1,442,729 lbs.	£ 59,774	1,933,609 lbs.	£ 8,056 14 1	34 Vic. No. 21. 17 Mar., 1871. 1d. per lb.
	Victoria ...	279,891 "	10,250			
	South Australia ...	61,150 "	2,341			
	Queensland ...	4,387 "	214			
	Hong Kong ...	455 "	28			
	Singapore ...	250 "	13			
	United States ...	20 "	4			
		1,788,882 lbs.	72,624			
Carriages ...	Great Britain ...	14 No.	1,797	Free.
	Victoria ...	171 "	3,973			
	South Australia ...	3 "	145			
	Queensland ...	29 "	854			
	Tasmania ...	3 "	130			
	Mauritius ...	1 "	100			
	South Sea Islands ...	1 "	13			
	United States ...	310 "	19,859			
	Java ...	1 "	100			
		533 No.	26,971			
Carriage-makers' Materials.	Great Britain ...	147 pkgs.	1,739	Free.
	Victoria ...	1,854 "	3,248			
	South Australia ...	113 "	160			
	United States ...	1,466 "	8,133			
		3,580 pkgs.	13,280			
Carts and Waggon's	Great Britain ...	2 No.	38	Free.
	Victoria ...	138 "	2,994			
	Queensland ...	2 "	37			
	South Australia ...	11 "	274			
	New Zealand ...	1 "	15			
	United States ...	132 "	2,015			
		286 No.	5,373			
Cement ...	Great Britain ...	36,768 barrels	25,552	41,000 barrels	4,100 0 0	17 Mar., 1871. 2s. per barrel.
	Victoria ...	2,101 "	1,993			
	South Australia ...	372 "	365			
	Queensland ...	400 "	321			
	New Caledonia ...	1 "	5			
		39,642 barrels	28,236			
Chain Cables ...	Great Britain ...	471 tons	4,081	Free.
	Victoria ...	10 "	214			
	New Caledonia ...	4 "	50			
		485 tons	4,345			
Cheese ...	Great Britain ...	114,206 lbs.	4,749	510,842 lbs.	4,257 0 5	17 Mar., 1871. 2d. per lb.
	Victoria ...	184,923 "	6,962			
	South Australia ...	34,610 "	1,667			
	Queensland ...	1,847 "	147			
	Tasmania ...	4,379 "	215			
	New Zealand ...	194,419 "	6,060			
	Fiji Islands ...	178 "	11			
	Singapore ...	250 "	9			
	New Caledonia ...	310 "	13			
	United States ...	6,797 "	279			
		541,919 lbs.	20,112			
Chicory ...	Great Britain ...	292,040 lbs.	3,501	304,546 lbs.	3,806 13 6	9 Mar., 1871. 3d. per lb.
	Victoria ...	20,970 "	306			
		313,010 lbs.	3,807			
Chinese Goods ...	Victoria ...	128 pkgs.	325	Free.
Cobalt Ore ...	New Caledonia ...	146 tons	1,555	Free.
Chocolate and Cocoa	Great Britain ...	234,161 lbs.	13,767	232,706 lbs.	2,908 16 7	17 Mar., 1871. 3d. per lb.
	Victoria ...	24,825 "	1,639			
	South Australia ...	7,570 "	461			
	Queensland ...	132 "	9			
	Singapore ...	65 "	3			
	United States ...	1,773 "	82			
		268,526 lbs.	15,961			

STATISTICS—1878.

IMPORTS—continued.

Articles.	Countries whence Imported.	Importations.		Entered for Home Consumption.	Duty.	
		Quantities.	Value.		Gross amount received.	Rate, and when imposed.
			£		£ s. d.	34 Vic. No. 21.
Coffee ...		Tons cwt. qrs. lbs.				
	Great Britain ...	10 8 0 16	1,161			
	Victoria ...	170 10 2 3	20,267			
	South Australia ...	12 16 2 1	1,791			
	Queensland ...	0 5 0 4	26			
	Mauritius ...	0 0 1 15	1			
	Ceylon ...	10 1 3 10	1,311			
	Singapore ...	16 2 2 15	1,070			
	Hong Kong ...	3 3 2 6	243			
	United States ...	1 5 1 6	113			
New Caledonia ...	8 9 3 13	844				
Java ...	6 0 3 12	635				
		239 4 2 17	27,462	443,868 lbs.	5,548 7 2	9 March, 1871. 3d. per lb.
Cocoa-nuts ...	Victoria ...	106 No.	2			
	Queensland ...	300 "	5			
	New Zealand ...	900 "	4			
	Fiji Islands ...	175,202 "	1,029			
	South Sea Islands ...	148,931 "	725			
New Caledonia ...	19,800 "	116				
		345,239 No.	1,881	Free.
Gold ...	Victoria ...	6 boxes	31,300			
	Queensland ...	5 "	54,000			
	New Zealand ...	6 "	26,000			
	South Australia ...	2 "	1,000			
	New Caledonia ...	7 "	6,208			
	United States ...	1 "	25			
		27 boxes	118,533	Free.
Coin..	Victoria ...	5 boxes	1,700			
	Queensland ...	6 "	255			
	South Australia ...	3 "	650			
	New Zealand ...	1 "	400			
	Fiji Islands ...	1 "	200			
	South Sea Islands ...	4 "	2,200			
	New Caledonia ...	18 "	3,334			
		38 boxes	8,739	Free.
Copper ...	Great Britain ...	50 boxes	1,000			
Confectionery ...	Great Britain ...	138,959 lbs.	5,881			
	Victoria ...	46,377 "	4,538			
	South Australia ...	46,784 "	1,915			
	Queensland ...	947 "	94			
		233,067 lbs.	12,428	292,934 lbs.	1,830 16 10	17 March, 1871. 1½d. per lb.
Copper, refined ...	Victoria ...	1 ton	59			
	Queensland ...	424 tons	24,154			
		425 tons	2,4213	Free.
Copper Ore ...	Queensland ...	435 tons	4,777			
	South Australia ...	15,212 "	115,493			
	New Caledonia ...	9,228 "	66,375			
		24,875 tons	186,645	Free.
Copra ...	New Zealand ...	10 tons	150			
	Fiji Islands ...	1,114 "	5,192			
	South Sea Islands ...	2,002 "	28,940			
	New Caledonia ...	1,090 "	17,245			
		4,216 tons	51,527	Free.
Corks and Bungs...	Great Britain ...	1,178 bales	9,936			
	Victoria ...	281 "	2,263			
	South Australia ...	32 "	287			
	New Zealand ...	2 "	24			
	Queensland ...	24 "	60			
	United States ...	1 "	13			
		1,518 bales	12,583	Free.

IMPORTS—continued.

Articles.	Countries whence Imported.	Importations.		Entered for Home Consumption.	Duty.	
		Quantities.	Value.		Gross Amount received.	Rate, and when imposed.
Cordage and Rope..	Great Britain ...	8,815 cwt.	28,772	978 tons	£ s. d. 1,956 17 7	34 Vic. No. 21. 17 Mar., 1871. 40s. per ton.
	Victoria ...	4,573 "	11,427			
	South Australia ...	516 "	1,734			
	Queensland ...	27 "	87			
	New Zealand ...	111 "	272			
	Fiji Islands ...	39 "	22			
	Ceylon ...	1,249 "	2,583			
	Singapore ...	59 "	161			
	South Sea Islands ...	333 "	335			
	United States ...	153 "	535			
China... ..	5 "	14				
New Caledonia ...	24 "	18				
		15,904 cwt.	45,960			
Cotton (Raw) ...	Victoria ...	1 bales	12	Free.
	Singapore ...	1 "	8			
	Fiji Islands ...	210 "	3,121			
	South Sea Islands ...	33 "	500			
	New Caledonia ...	14 "	50			
		259 bales	3,691			
Cutlery ...	Great Britain ...	692 cases	32,936	Free.
	Victoria ...	191 "	5,082			
	Queensland ...	6 "	104			
	New Zealand ...	1 "	28			
	Tasmania ...	2 "	70			
	Point de Galle ...	1 "	100			
	South Sea Islands ...	2 "	22			
	Hong Kong ...	1 "	9			
	United States ...	44 "	729			
		940 cases	39,080			
Dates ...	Great Britain ...	337,219 lbs.	3,092	468,673 lbs.	1,952 16 1	17 Mar., 1871. 1d. per lb.
	Victoria ...	101,228 "	2,376			
	Queensland ...	128 "	6			
	South Australia ...	2,996 "	87			
	Mauritius ...	26,188 "	340			
	Hong Kong ...	9,298 "	210			
		477,057 lbs.	6,111			
Doors ...	Victoria ...	5,588 No.	3,628	27,218 No.	1,360 18 0	17 Mar., 1871. 1s. each.
	Queensland ...	158 "	109			
	South Australia ...	829 "	864			
	New Zealand ...	6 "	2			
	United States ...	15,465 "	9,919			
		22,046 No.	14,522			
Drapery (General)	Great Britain ...	51,071 pkgs.	2,180,924	Free.
	Victoria ...	11,721 "	458,632			
	South Australia ...	974 "	36,050			
	Queensland ...	247 "	5,848			
	Tasmania ...	126 "	1,617			
	New Zealand ...	42 "	2,648			
	Point de Galle ...	51 "	5,293			
	Hong Kong ...	368 "	12,546			
	Singapore ...	254 "	531			
	Fiji Islands ...	3 "	31			
	United States ...	400 "	9,841			
	South Sea Islands ...	28 "	275			
	New Caledonia ...	24 "	176			
	France ...	1 "	52			
	China... ..	39 "	2,564			
			65,349 pkgs.			
Drugs & Medicines	Great Britain ...	19,213 pkgs.	94,530	Free.
	Victoria ...	3,049 "	17,894			
	South Anstralia ...	368 "	2,816			
	Queensland ...	119 "	526			
	Tasmania ...	1 "	1			
	New Zealand ...	46 "	178			
	Singapore ...	56 "	98			
	Hong Kong ...	470 "	2,221			
	United States ...	519 "	3,927			
	China... ..	9 "	38			
New Caledonia ...	6 "	30				
		23,856 pkgs.	122,259			

STATISTICS—1878.

IMPORTS—continued.

Articles.	Countries whence Imported.	Importations.		Entered for Home Consumption.	Duty.	
		Quantities.	Value.		Gross Amount received.	Rate, and when imposed.
Earthenware and China ...	Great Britain ...	5,886 pkgs.	£ 59,122	£ s. d.	34 Vic. No. 21.
	Victoria ...	4,764 "	11,967			
	South Australia ...	335 "	1,346			
	Queensland ...	78 "	171			
	New Zealand ...	52 "	40			
	Hong Kong ...	212 "	1,242			
	Manila ...	3 "	10			
	United States ...	10 "	320			
	Java ...	4 "	25			
	China... ..	5 "	9			
	New Caledonia ...	10 "	18			
		11,359 pkgs.	74,270			Free.
Felt ...	Great Britain ...	223 bales	1,047		Free.
	Victoria ...	55 "	84			
	Singapore ...	3 "	8			
		281 bales	1,139			Free.
Fibre ...	Great Britain ...	56 bales	158		Free.
	Victoria ...	174 "	163			
	South Australia ...	10 "	45			
	Queensland ...	6 "	20			
	Fiji Islands ...	6,152 "	2,638			
	New Caledonia ...	140 "	148			
	Lord Howe Island ...	4 "	7			
	Java ...	30 "	70			
		6,572 bales	3,249			Free.
Fireworks ...	Great Britain ...	42 pkgs.	123		Free.
	Victoria ...	33 "	78			
	Hong Kong ...	1,008 "	1,350			
	China... ..	90 "	101			
		1,173 pkgs.	1,652			Free.
Fish, dried, salt, and preserved	Great Britain ...	1,574,706 lbs.	52,789		Free.
	Victoria ...	309,906 "	13,192			
	South Australia ...	110,709 "	7,342			
	Queensland ...	16,938 "	479			
	Tasmania ...	1,078 "	34			
	New Zealand ...	912 "	21			
	Hong Kong ...	35,036 "	1,151			
	Singapore ...	6,191 "	169			
	Fiji Islands ...	100 "	5			
	United States ...	1,948,894 "	56,619			
	Vancouver's Island...	57,470 "	1,397			
	China ...	1,930 "	126			
	Belgium ...	20 "	1			
			4,063,890 lbs.			
Flax and hemp.....	Great Britain ...	7 bales	142		Free.
	Victoria ...	370 "	1,392			
	Queensland ...	48 "	144			
	Singapore ...	635 "	2,406			
	Hong Kong ...	92 "	727			
	Manilla ...	3,192 "	10,850			
		4,344 bales	15,661			Free.
Floor-cloth and oil-cloth	Great Britain ...	713 pkgs.	11,459		Free.
	Victoria ...	263 "	2,548			
	United States ...	58 "	835			
		1,034 pkgs.	14,842			Free.
Flour ...	Great Britain ...	56 tons	668		Free.
	Victoria ...	12,824 "	153,126			
	South Australia ...	19,857 "	251,246			
	Queensland ...	184 "	2,797			
	Tasmania ...	106 "	1,271			
	New Zealand ...	143 "	1,838			
	Fiji Islands ...	1 "	14			
	South Sea Islands ...	1 "	12			
	United States ...	2 "	35			
		33,174 tons	411,007			Free.

STATISTICS—1878.

IMPORTS—continued.

Articles.	Countries whence Imported.	Importations.		Entered for Home Consumption.	Duty.			
		Quantities.	Value.		Gross Amount received.	Rate, and when imposed.		
			£		£ s. d.	34 Vic. No. 21		
		Tons. cwt. qrs. lbs.						
Fruits...	Dried ...	Great Britain ...	1,327 12 3 23	40,767	4,559,137 lbs.	37,992 16 2	17 Mar., 1871. 2d. per lb.	
		Victoria ...	559 3 0 19	20,161				
		South Australia ...	165 10 0 0	8,210				
		Queensland ...	5 9 1 8	291				
		New Zealand ...	11 11 1 16	500				
		Hong Kong ...	0 3 2 18	18				
			United States ...	130 19 1 20	4,116			
				2,200 9 3 20	74,063			
	Bottled...	Great Britain ...	4,190 doz.	2,128	5,664 doz.	566 8 4	17 Mar., 1871. 2s. per doz. qts. 1s. " pts.	
		Victoria ...	627 "	406				
		South Australia ...	516 "	402				
		Queensland ...	27 "	15				
		Tasmania ...	50 "	19				
			Singapore ...	26 "	27			
				5,436 doz.	2,997			
Green ...	Victoria ...	25,783 pkgs.	12,312	Free.		
	South Australia ...	1,259 "	533					
	Queensland ...	5,294 "	4,899					
	Tasmania ...	73,868 "	33,266					
	New Zealand ...	46 "	17					
	Fiji Islands ...	18,351 "	3,298					
	Hong Kong ...	20 "	6					
	New Caledonia ...	793 "	338					
	South Sea Islands ...	6,104 "	366					
	United States ...	1,162 "	773					
		Lord Howe Island ...	15 "	2				
			132,695 pkgs.	55,810				
Fungus ...	New Zealand ...	994 bales	4,147	Free.		
	Fiji Islands ...	139 "	159					
	Hongkong ...	29 "	86					
	New Caledonia ...	101 "	270					
	South Sea Islands ...	1,492 "	1,234					
			2,755 bales	5,896				
Fuze ...	Great Britain ...	184 casks	1,468	Free.		
	Victoria ...	47 "	383					
		231 casks	1,851					
Furniture ...	Great Britain ...	4,510 pkgs.	81,360	Free.		
	Victoria ...	5,533 "	23,741					
	South Australia ...	317 "	1,967					
	Queensland ...	74 "	463					
	Tasmania ...	30 "	115					
	New Zealand ...	39 "	531					
	Fiji Islands ...	5 "	50					
	Hong Kong ...	848 "	1,566					
	Mauritius ...	2 "	5					
	Manila ...	10 "	10					
	China ...	140 "	157					
United States ...	13,973 "	34,171						
		Java ...	12 "	100				
		New Caledonia ...	27 "	67				
			24,620 pkgs.	144,393				
Gasfittings ...	Great Britain ...	3,966 pkgs.	12,778	Free.		
	Victoria ...	932 "	1,818					
	United States ...	9 "	108					
			4,907 pkgs.	14,704				
Ginger (Dried)	Great Britain ...	76,815 lbs.	2,072	167,742 lbs.	698 18 6	17 Mar., 1871. 1d. per lb.		
	Victoria ...	22,111 "	948					
	Queensland ...	1,403 "	25					
	Hong Kong ...	26,731 "	858					
	Singapore ...	28 "	1					
	China ...	118 "	5					
	Manila ...	126 "	2					
			127,232 lbs.	3,911				
Glass ...	Great Britain ...	491 cases	9,067	Free.		
	Victoria ...	58 "	564					
	South Australia ...	3 "	21					
	Hong Kong ...	1 "	3					
			553 cases	9,655				

STATISTICS—1878.

IMPORTS—continued.

Articles.	Countries whence Imported.	Importations.		Entered for Home Consumption.	Duty.		
		Quantities.	Value.		Gross Amount received.	Rate, and when imposed.	
Glass—contd.	Plate ...	Great Britain ...	180 cases	£ 7,287	£ s. d.	34 Vic. No. 21.
		Victoria ...	99 "	946			
	Window ...	279 cases		8,233			Free.
		Great Britain ...	8,250 boxes	11,536			Free.
		Victoria ...	852 "	1,711			
South Australia ...	84 "	146					
New Zealand... ..	240 "	266					
		9,426 boxes		13,659	Free.		
Glassware ...	Great Britain ...	9,520 pkgs.	41,006	Free.	
	Victoria ...	1,639 "	7,247				
	South Australia ...	94 "	505				
	Queensland ...	275 "	427				
	Tasmania ...	3 "	12				
	New Zealand... ..	7 "	27				
	Hong Kong ...	1 "	130				
	Singapore ...	1 "	5				
	Fiji Islands ...	172 "	208				
	South Sea Islands ...	2 "	25				
	New Caledonia ...	6 "	3				
	United States ...	381 "	1,787				
Java ...	4 "	25					
		12,105 pkgs.		51,407	Free.		
Glue ...	Great Britain ...	64 pkgs.	505	Free.	
	Victoria ...	46 "	164				
	South Australia ...	44 "	37				
	United States ...	6 "	34				
		160 pkgs.		740	Free.		
Gold Dust	Victoria ...	309 ozs.	1,045	Free.	
	Queensland ...	259,047 "	1,006,146				
	New Zealand ...	13,603 "	53,147				
	Hong Kong ...	61 "	228				
	New Caledonia ...	979 "	4,311				
		273,999 ozs.		1,064,877	Free.		
Gold Leaf...	Great Britain ...	46 cases	1,721	Free.	
	Victoria ...	4 "	67				
			50 cases				1,788
Barley	Victoria ...	1,780 bushels	382	Free.	
	South Australia ...	1,655 "	160				
	Queensland ...	795 "	137				
	Tasmania ...	1,264 "	295				
	New Zealand... ..	4,479 "	1,330				
	United States ...	25,131 "	4,906				
		35,104 bushels		7,210	Free.		
Beans	Victoria ...	1,407 bushels	303	Free.	
	Tasmania ...	83 "	31				
		1,490 bushels		334	Free.		
Maize	Victoria ...	3,807 bushels	1,044	Free.	
	Queensland ...	13,261 "	2,944				
	New Zealand... ..	478 "	120				
	Fiji Islands ...	2,733 "	732				
	United States ...	250 "	50				
New Caledonia ...	13,333 "	3,030					
		33,862 bushels		7,920	Free.		
Pollard	Victoria ...	21,709 bushels	1,686	Free.	
	South Australia ...	9,731 "	832				
	Queensland ...	75 "	10				
	New Zealand ...	6,587 "	609				
		38,102 bushels		3,137	Free.		
Bran	Victoria ...	122,005 bushels	8,934	Free.	
	South Australia ...	32,684 "	1,900				
	Queensland ...	50 "	7				
	New Zealand... ..	88,497 "	6,077				
	Tasmania ...	3,160 "	201				
	United States ...	10 "	2				
		246,406 bushels		17,121	Free.		

STATISTICS—1878.

IMPORTS—continued.

Articles.	Countries whence Imported.	Importations.		Entered for Home Consumption.	Duty.		
		Quantities.	Value.		Gross amount received.	Rate, and when imposed.	
		£		£ s. d.		34 Vic. No. 21.	
Grain and Pulse <i>contd.</i>	Oats	Victoria ...	51,728 bushels	11,234			
		South Australia ...	5,047 "	1,338			
		Queensland ...	330 "	52			
		New Zealand ...	23,335 "	4,480			
		Tasmania ...	7,616 "	1,527			
		United States ...	22,680 "	4,290			
			110,736 bushels	22,921			Free.
	Pease (Split and Dried)	Great Britain ...	1,097 kegs	1,048			
		Victoria ...	371 "	573			
		South Australia ...	294 "	753			
Queensland ...		7 "	14				
Tasmania ...		59 "	75				
United States ...		25 "	16				
	Cape Town ...	2 "	12				
		1,855 kegs	2,491			Free.	
Pearl Barley	Great Britain ...	726 kegs	856				
	Victoria ...	232 "	292				
	South Australia ...	104 "	81				
	New Zealand ...	16 "	10				
	Hong Kong ...	8 "	8				
	Singapore ...	48 "	60				
		1,134 kegs	1,307			Free.	
Sharps	Victoria ...	2 tons	22				
	New Zealand ...	29 "	193				
		31 tons	215			Free.	
Wheat	Victoria ...	129,709 bushels	34,401				
	South Australia ...	412,328 "	116,089				
	New Zealand ...	194,341 "	49,632				
	Tasmania ...	44,226 "	13,713				
		780,604 bushels	213,835			Free.	
Grease	Great Britain ...	31 tons	448				
	Victoria ...	65 "	346				
	United States ...	9 "	249				
		105 tons	1,043			Free.	
Grindery	Great Britain ...	643 pkgs.	15,775				
	Victoria ...	274 "	4,916				
	South Australia ...	2 "	247				
	Queensland ...	1 "	5				
	Hong Kong ...	1 "	43				
	United States ...	113 "	241				
		1,034 pkgs.	21,227			Free.	
Guano	Victoria ...	7 tons	57				
	New Caledonia ...	17 "	75				
	Lord Howe Island ...	60 "	360				
	South Sea Islands ...	16 "	80				
		100 tons	572			Free.	
Gum	Great Britain ...	165 pkgs.	1,585				
	Victoria ...	202 "	1,259				
	Fiji Islands ...	1 "	1				
	United States ...	4 "	26				
		372 pkgs.	2,871			Free.	
Hardware	Great Britain ...	47,009 pkgs.	288,052				
	Victoria ...	24,197 "	81,950				
	South Australia ...	4,761 "	17,693				
	Queensland ...	426 "	1,723				
	Tasmania ...	18 "	119				
	New Zealand ...	273 "	696				
	Point de Galle ...	2 "	101				
	Hong Kong ...	25 "	137				
	Singapore ...	729 "	1,735				
	Fiji Islands ...	11 "	53				
	United States ...	15,936 "	69,587				
	South Sea Islands ...	22 "	81				
	New Caledonia ...	77 "	260				
	China ...	1 "	1				
Java ...	1 "	10					
		93,488 pkgs.	462,198			Free.	

STATISTICS—1878.

81

IMPORTS—continued.

Articles.	Countries whence Imported.	Importations.		Entered for Home Consumption.	Duty.	
		Quantities.	Value.		Gross Amount received.	Rate, and when imposed.
Hay	Victoria ...	3,380 tons	£ 16,333		£ s. d.	34 Vic. No. 21.
	South Australia ...	1,171 "	6,326			
	Queensland ...	62 "	620			
	Tasmania ...	9 "	54			
	New Zealand ...	6 "	31			
		4,628 tons	23,364	Free.
Hoofs and Bones	Queensland ...	1,642 cwt.	1,018			
	New Caledonia ...	123 "	33			
		1,765 cwt.	1,051	Free.
Hops	Great Britain ...	285,162 lbs.	16,139			
	Victoria ...	111,536 "	6,916			
	South Australia ...	15,653 "	948			
	Queensland ...	264 "	23			
	Tasmania ...	125,900 "	6,739			
	New Zealand ...	577 "	36			
	Singapore ...	40 "	4			
United States ...	159,554 "	5,207				
		698,686 lbs.	36,012	623,510 lbs.	7,793 17 8	17 March, 1871 3d. per lb.
Horns	Queensland ...	41,710 No.	417			
	New Caledonia ...	2,100 "	25			
		43,810 No.	442	Free.
India-rubber Goods	Great Britain ...	339 pkgs.	10,349			
	Victoria ...	138 "	1,259			
	United States ...	60 "	845			
		537 pkgs.	12,453	Free.
Musical	Great Britain ...	1,899 cases	88,834			
	Victoria ...	518 "	18,445			
	South Australia ...	10 "	249			
	Queensland ...	20 "	934			
	Tasmania ...	11 "	207			
	New Zealand ...	8 "	361			
	Hong Kong ...	1 "	50			
	Mauritius ...	1 "	50			
	Fiji Islands ...	1 "	20			
	South Sea Islands ...	4 "	131			
	New Caledonia ...	3 "	100			
	France ...	2 "	30			
	Java ...	2 "	75			
	United States ...	378 "	7,944			
		2,858 cases	117,430	Free.
Optical	Great Britain ...	34 cases	1,447			
	Victoria ...	24 "	1,195			
	Queensland ...	1 "	10			
	South Sea Islands ...	1 "	12			
	United States ...	1 "	12			
		61 cases	2,676	Free.
Surgical	Great Britain ...	74 cases	2,970			
	Victoria ...	37 "	569			
	Queensland ...	5 "	125			
	United States ...	9 "	269			
		125 cases	3,933	Free.
Scientific	Great Britain ...	140 cases	5,707			
	Victoria ...	120 "	2,527			
	Queensland ...	6 "	117			
	New Zealand ...	1 "	30			
	Point de Galle ...	1 "	10			
	United States ...	4 "	238			
		272 cases	8,629	Free.
Iron	Great Britain ...	2,025 tons	24,137			
	Victoria ...	229 "	3,404			
	South Australia ...	80 "	253			
	Queensland ...	2 "	17			
	New Zealand ...	5 "	90			
	Singapore ...	22 "	221			
	United States ...	111 "	1,508			
	Belgium ...	100 "	750			
		2,574 tons	30,380	Free.

IMPORTS—*continued.*

Articles.	Countries whence Imported.	Importations.		Entered for Home Consumption.	Duty.		
		Quantities.	Value.		Gross Amount received.	Rate, and when imposed.	
Iron <i>contd.</i>	Galvanized ..	Great Britain ...	7,257 tons	£ 177,765	8,804 tons	£ s. d. 17,608 11 8	34 Vic. No. 21. 17 Mar., 1871. 40s. per ton.
		Victoria ...	980 "	25,061			
		South Australia ...	389 "	10,743			
		Queensland ...	8 "	216			
		New Caledonia ...	15 "	450			
	Galvanized Manu- factures ...	Great Britain ...	307 tons	10,164	443 tons	1,330 6 5	17 Mar., 1871. 3s. per cwt.
		Victoria ...	146 "	7,474			
		South Australia ...	24 "	1,410			
		Queensland ...	1 "	70			
		Singapore ...	1½ "	63			
	United States ...	½ "	26				
	Old ...	Great Britain ...	86 tons	348	Free.
		Victoria ...	26 "	128			
		South Australia ...	702 "	2,606			
		Queensland ...	120 "	383			
Tasmania ...		94 "	364				
Pipes ...	New Zealand ...	130 "	437	Free.	
	New Caledonia ...	3 "	10				
	South Sea Islands ...	½ "	2				
	Great Britain ...	2,069 tons	17,817				
	Victoria ...	287 "	1,850				
Tanks ...	South Australia ...	9 "	187	Free.	
	Queensland ...	19 "	252				
	United States... ..	3 "	70				
	Great Britain ...	518 No.	1,659				
	Victoria ...	294 "	1,227				
Plain Wire..	South Australia ...	401 "	1,438	Free.	
	Queensland ...	139 "	366				
	New Zealand ...	1 "	4				
	United States ...	8 "	30				
	South Sea Islands ...	3 "	27				
Wire Galvanized	New Caledonia ...	4 "	27	Free.	
	Great Britain ...	5,946 tons	69,630				
	Victoria ...	3,354 "	51,751				
	South Australia ...	1,388 "	27,432				
	Queensland ...	21 "	329				
Iron & Steel	United States ...	19 "	681	9,699 tons	9,699 16 2	17 Mar., 1871. 20s. per ton.	
	Great Britain ...	553 tons	14,388				
	Victoria ...	104 "	2,391				
	South Australia ...	40 "	793				
	Queensland ...	4 "	64				
Jams and Jellies ...	Great Britain ...	701 tons	17,636	Included in gal- vanized iron.	Free.	
	Victoria ...	19,476 tons	147,106				
	South Australia ...	1,903 "	23,355				
	Queensland ...	160 "	3,463				
	South Australia ...	58 "	637				
Jams and Jellies ...	New Zealand ...	180 "	1,154	Free.	
	Singapore ...	1 "	25				
	New Caledonia ...	30 "	214				
	United States ...	5 "	69				
	Belgium ...	2,140 "	15,981				
Jams and Jellies ...	Great Britain ...	23,953 tons	192,004	2,585,777 lbs.	10,774 1 5	17 Mar., 1871. 1d. per lb.	
	Victoria ...	200,493 lbs.	5,830				
	South Australia ...	256,463 "	7,886				
	Queensland ...	417,504 "	11,679				
	Queensland ...	3,311 "	139				
Jams and Jellies ...	Tasmania ...	1,849,656 "	54,844	Free.	
	New Zealand ...	120 "	8				
	Singapore ...	454 "	17				
	India ...	336 "	25				
	New Caledonia ...	144 "	5				
Jams and Jellies ...	United States ...	10,080 "	344	Free.	
	Great Britain ...	2,738,561 lbs.	80,777				

STATISTICS—1878.

83

IMPORTS—continued.

Articles.	Countries. whence Imported.	Importations.		Entered for Home Consumption.	Duty.	
		Quantities.	Value.		Gross Amount received.	Rate, and when imposed.
			£			34 Vic. No. 21.
Jewellery ...	Great Britain ...	129 pkgs.	11,776			
	Victoria ...	483 "	93,146			
	South Australia ...	7 "	3,396			
	Queensland ...	10 "	467			
	Tasmania ...	3 "	70			
	Point de Galle ...	27 "	11,005			
	Hong Kong ...	1 "	70			
	United States ...	12 "	728			
		672 pkgs.	120,658	Free.
Lampware...	Great Britain ...	1,636 pkgs.	11,631			
	Victoria ...	216 "	1,070			
	Queensland ...	7 "	125			
	United States ...	669 "	4,953			
	Singapore ...	3 "	3			
		2,531 pkgs.	17,782	Free.
Lead ...	Great Britain ...	19,613 cwt.	21,116			
	Victoria ...	1,062 "	1,465			
	South Australia ...	178 "	295			
	Queensland ...	8 "	9			
	New Zealand ...	5 "	7			
	United States ...	785 "	788			
			21,651 cwt.	23,680
Piping...	Great Britain ...	709 cwt.	868			
	Victoria ...	280 "	371			
	South Australia ...	2 "	4			
		991 cwt.	1,243	Free.
Leather	Great Britain ...	416 pkgs.	23,982			
	Victoria ...	993 "	13,304			
	Queensland ...	109 "	1,226			
	South Australia ...	19 "	231			
	New Zealand... ..	8 "	174			
	Tasmania ...	135 "	5,076			
	Hong Kong ...	2 "	3			
	United States ...	34 "	1,105			
	New Caledonia ...	150 "	337			
			1,866 pkgs.	45,438
Boots & Shoes	Great Britain ...	14,653 pkgs.	204,418			
	Victoria ...	6,185 "	85,265			
	Queensland ...	130 "	1,975			
	South Australia ...	129 "	2,929			
	New Zealand ...	5 "	60			
	Tasmania ...	6 "	570			
	Hong Kong ...	52 "	560			
	Fiji Islands ...	6 "	86			
	United States ...	43 "	868			
	South Sea Islands ...	1 "	1			
	New Caledonia ...	1 "	8			
	China ...	1 "	10			
	Honolulu ...	1 "	17			
		21,213 pkgs.	206,767	Free.
Lime-juice...	Great Britain ...	11,575 galls.	1,508			
	Victoria ...	3,120 "	664			
	South Australia ...	1,154 "	274			
	New Zealand ...	3,591 "	351			
	Hong Kong ...	80 "	10			
	Singapore ...	24 "	16			
		19,544 galls.	2,823	Free.
Lithographic Materials.	Great Britain ...	82 pkgs.	346			
	Victoria ...	15 "	78			
		97 pkgs.	424	Free.
Live Stock	Great Britain ...	6 No.	900			
	Victoria ...	5,324 "	55,170			
	Queensland ...	105 "	989			
	Tasmania ...	18 "	220			
		5,453 No.	57,279	Free.

IMPORTS—continued.

Articles.	Countries whence Imported.	Importations.		Entered for Home Consumption.	Duty.		
		Quantities.	Value.		Gross Amount received.	Rate, and when imposed.	
Live Stock —contd.	Dogs {	Great Britain ...	2 No.	£ 20	£ s. d.	34 Vic. No. 21.
		Victoria ...	18 "	167			
		Tasmania ...	1 "	1			
			21 No.	188			Free.
	Goats {	South Australia ...	2 No.	20			Free.
		Queensland ...	5 "	14			
			7 No.	34			Free.
	Horses {	Great Britain ...	12 No.	4,197			Free.
		Victoria ...	717 "	23,117			
		Queensland ...	54 "	2,378			
		Tasmania ...	4 "	130			
		New Zealand ...	5 "	100			
			792 No.	29,922			Free.
	Sheep.. {	Victoria ...	472,607 No.	243,672			Free.
		Queensland ...	54 "	522			
South Australia ...		23,150 "	9,280				
New Zealand ...		30 "	250				
Tasmania ...		27 "	419				
		495,868 No.	254,143	Free.			
Pigs ... {	Great Britain ...	7 No.	105	Free.			
	Victoria ...	67 "	105				
	New Zealand ...	18 "	11				
	United States ...	6 "	200				
	New Caledonia ...	5 "	2				
		103 No.	423	Free.			
Poultry {	Victoria ...	151 coops	276	Free.			
	Queensland ...	7 "	17				
	New Zealand ...	1 "	3				
	Tasmania ...	14 "	47				
	Fiji Islands ...	1 "	3				
	Lord Howe Island ...	1 "	1				
		175 coops	347	Free.			
Machinery... {	Great Britain ...	7,772 pkgs.	113,014	Free.			
	Victoria ...	4,186 "	46,645				
	South Australia ...	86 "	1,252				
	Queensland ...	85 "	1,379				
	Tasmania ...	7 "	105				
	Mauritius ...	68 "	1,210				
	Cape Town ...	5 "	368				
	United States ...	2,386 "	25,339				
	South Sea Islands ...	1 "	2				
	New Caledonia ...	17 "	30				
	New Zealand ...	129 "	2,008				
			14,742 pkgs.		191,352	Free.	
	Machines {	Great Britain ...	684 pkgs.		7,762	Free.	
Victoria ...		2,420 "	18,051				
South Australia ...		7 "	65				
Queensland ...		13 "	81				
Tasmania ...		1 "	7				
New Zealand ...		10 "	115				
South Sea Islands ...		2 "	10				
United States ...		1,530 "	12,228				
		4,669 pkgs.	38,354	Free.			
Weighing {	Great Britain ...	541 pkgs.	2,714	Free.			
	Victoria ...	78 "	402				
	South Australia ...	8 "	45				
	Queensland ...	17 "	83				
	United States ...	80 "	635				
		724 pkgs.	3,879	Free.			
Malt ... {	Great Britain ...	184,023 bushels	82,292	236,652 bshls.			
	Victoria ...	38,191 "	17,752				
	South Australia ...	326 "	193				
	New Zealand ...	4,730 "	1,820				
		227,270 bushels	102,057	5,916 6 4			
Manganese Ore...	New Caledonia ...	60 tons	250	Free.			

STATISTICS—1878.

85

IMPORTS—continued.

Articles.	Countries whence Imported.	Importations.		Entered for Home Consumption.	Duty.	
		Quantities.	Value.		Gross Amount received.	Rate, and when imposed.
Maizena ...	Great Britain ...	36,652 lbs.	£ 891	112,312 lbs.	£ s. d. 467 19 4	34 Vic. No. 21. 17 Mar., 1871. 1d. per lb.
	Victoria ...	28,462 "	853			
	South Australia ...	18,549 "	451			
	Queensland ...	472 "	19			
	Singapore ...	172 "	7			
	United States ...	33,525 "	804			
		117,832 lbs.	3,025			
Marble ...	Great Britain ...	781 pkgs.	5,702	Free.
	Victoria ...	375 "	3,127			
	South Australia ...	51 "	318			
	Queensland ...	1 "	4			
	Hong Kong ...	8 "	20			
		1,216 pkgs.	9,171			
Matches ...	Great Britain ...	11,231 pkgs.	36,954	Free.
	Victoria ...	2,572 "	9,153			
	South Australia ...	384 "	2,212			
	Queensland ...	54 "	321			
	New Zealand ...	10 "	120			
		14,251 pkgs.	48,760			
Mats and Matting...	Great Britain ...	216 pkgs.	2,729	Free.
	Victoria ...	5,884 "	5,291			
	Queensland ...	4 "	16			
	New Zealand ...	1 "	1			
	Hong Kong ...	7,645 "	8,950			
	Singapore ...	3 "	60			
	Mauritius ...	3,476 "	2,983			
	Manilla ...	3 "	5			
	Fiji Islands ...	44 "	19			
	South Sea Islands ...	275 "	19			
	United States ...	117 "	300			
	China... ..	299 "	403			
		17,967 pkgs.	20,776			
Metal (Old) ...	Victoria ...	5 tons	136	Free.
	South Australia ...	7 "	463			
	Queensland ...	2 "	90			
	New Zealand ...	44 "	77			
	Fiji ...	2 "	80			
	South Sea Islands ...	310 "	1,405			
	New Caledonia ...	3 "	155			
		373 tons	2,406			
Military and Naval Stores ...	Great Britain ...	10,358 pkgs.	39,905	Free.
	Victoria ...	63 "	489			
		10,421 pkgs.	40,394			
Mustard ...	Great Britain ...	230,765 lbs.	11,255	267,491 lbs.	1,114 10 11	17 Mar., 1871. 1d. per lb.
	Victoria ...	38,477 "	2,083			
	South Australia ...	16,128 "	669			
	Queensland ...	249 "	10			
	Singapore ...	60 "	2			
	United States ...	50 "	1			
		285,729 lbs.	14,020			
Nails ...	Great Britain ...	34,075 cwt.	36,262	37,681 cwt.	3,768 6 6	17 Mar., 1871. 4os. per ton.
	Victoria ...	2,982 "	5,114			
	South Australia ...	791 "	1,241			
	Queensland ...	23 "	28			
	Singapore ...	106 "	128			
	United States ...	950 "	2,572			
	South Sea Islands ...	2 "	2			
		38,929 cwt.	45,347			
Naphtha ...	Great Britain ...	780 gallons	148	Free.
	Victoria ...	125 "	50			
		905 gallons	198			
Nickel Ore...	New Caledonia ...	527 tons	19,970	Free.

STATISTICS—1878.

IMPORTS—continued.

Articles.	Countries whence Imported.	Importations.		Entered for Home Consumption.	Duty.	
		Quantities.	Value.		Gross Amount received.	Rate, and when imposed.
Nuts	Great Britain ...	160,788 lbs.	£ 2,918	267,545 lbs. •	£ s. d. 1,114 15 5	34 Vic. No. 21. 17 Mar., 1871. 1d. per lb.
	Victoria ...	23,794 "	632			
	South Australia ...	18,549 "	591			
	Queensland ...	54 "	2			
	Tasmania ...	266 "	5			
	Singapore ...	32 "	1			
	Hong Kong ...	20,382 "	465			
United States ...	103,913 "	682				
		327,778 lbs.	5,296			
Oakum ...	Great Britain ...	1,909 bales	1,535	Free.
	Victoria ...	35 "	38			
	South Australia ...	49 "	49			
	Singapore ...	14 "	12			
	United States ...	85 "	85			
		2,092 bales	1,719			
Oars ...	Great Britain ...	2,607 No.	370	Free.
	Victoria ...	59 "	55			
	South Australia ...	120 "	55			
	Queensland ...	50 "	12			
	Singapore ...	94 "	40			
	United States ...	6,246 "	1,950			
		9,176 No.	2,482			
Oatmeal ...	Great Britain ...	1,071 cwt.	1,168	Free.
	Victoria ...	5,427 "	8,356			
	South Australia ...	275 "	432			
	Queensland ...	61 "	54			
	Tasmania ...	5,238 "	6,791			
	New Zealand ...	4,113 "	4,839			
		16,185 cwt.	21,640			
Black ...	Victoria ...	2 tuns	37	Free.
	South Australia ...	$\frac{1}{2}$ "	15			
	New Zealand ...	37 "	1,267			
	Singapore ...	1 "	50			
	South Sea Islands ...	9 "	290			
	New Caledonia ...	15 "	509			
	United States ...	93 "	2,760			
			157 $\frac{1}{2}$ tuns			
Castor ...	Great Britain ...	10,080 galls.	3,766	184,382 galls.	4,609 11 4	17 Mar., 1871. 6d. $\frac{1}{2}$ gallon.
	Victoria ...	134,266 "	30,182			
	South Australia ...	17,710 "	4,225			
	Queensland ...	45 "	14			
	Singapore ...	25,964 "	6,560			
	Hong Kong ...	18,709 "	4,715			
	United States ...	1,156 "	289			
		207,930 galls.	49,751			
China ...	Victoria ...	7,105 galls.	1,219	42,458 galls.	1,061 9 2	17 Mar., 1871. 6d. $\frac{1}{2}$ gallon.
	Queensland ...	169 "	85			
	Hong Kong ...	51,106 "	8,623			
	Singapore ...	5,010 "	1,002			
	China ...	1,000 "	160			
		64,390 galls.	11,089			
Cocoanut	New Zealand ...	1 tuns	35	Free.
	South Sea Islands ...	33 "	1,035			
	Fiji Islands ...	3 "	140			
		37 tuns	1,210			
Colza ...	Great Britain ...	12,296 galls.	3,053	19,480 galls.	487 0 3	17 Mar., 1871. 6d. $\frac{1}{2}$ gallon.
	Victoria ...	136 "	29			
		12,432 galls.	3,082			
Oil ...	Victoria ...	66,425 galls.	5,324	358,400 galls.	8,960 0 0	17 Mar., 1871. 6d. $\frac{1}{2}$ gallon.
	South Australia ...	29,664 "	3,325			
	Queensland ...	2,545 "	204			
	New Zealand ...	3,168 "	299			
	Singapore ...	4 "	1			
	United States ...	571,722 "	38,810			
		673,528 galls.	47,963			

STATISTICS—1878.

87

IMPORTS—*continued.*

Articles.	Countries whence Imported.	Importations.		Entered for Home Consumption.	Duty.		
		Quantities.	Value.		Gross Amount received.	Rate, and when imposed.	
			£		£ s. d.	34 Vic. No. 21.	
Oil— <i>contd.</i>	Linseed ...	Great Britain ...	143,870 galls.	22,149			
		Victoria ...	7,590 "	1,450			
		South Australia ...	5,857 "	1,368			
		Queensland ...	35 "	2			
		Singapore ...	144 "	26			
			157,496 galls.	24,995	129,448 gallons	3,236 3 11	17 Mar., 1871. 6d. per gallon.
	Olive ...	Great Britain ...	14,005 galls.	3,625			
		Victoria ...	115 "	38			
		South Australia ...	4 "	2			
			14,124 galls.	3,665	19,328 gallons	483 4 5	17 Mar., 1871. 6d. per gallon.
	Palm ...	Great Britain ...	12,096 galls.	2,178			
		Victoria ...	560 "	115			
			12,656 galls.	2,293	11,013 gallons	275 6 10	17 Mar., 1871. 6d. per gallon.
	Salad ...	Great Britain ...	19,136 galls.	9,555			
		Victoria ...	2,070 "	879			
South Australia ...		1,901 "	935				
Queensland ...		23 "	7				
	United States ...	16 "	8				
		23,146 galls.	11,384	24,124 gallons	603 2 3	17 Mar., 1871. 6d. per gallon.	
Sperm ...	Great Britain ...	4 tuns	203				
	Victoria ...	3 "	66				
		7 tuns	269	Free.	
All other...	Great Britain ...	14,576 galls.	5,493				
	Victoria ...	6,521 "	1,573				
	South Australia ...	80 "	9				
	Queensland ...	189 "	30				
	Hong Kong ...	1,624 "	396				
	Singapore ...	104 "	25				
	New Caledonia ...	145 "	62				
	United States ...	6,177 "	898				
		29,416 galls.	8,486	45,376 gallons.	1,134 8 1	17 Mar., 1871. 6d. per gallon.	
Oil Cake ...	Victoria ...	3 casks	5	Free.	
Oilmen's Stores ...	Great Britain ...	853 cases	3,263				
	Victoria ...	1,310 "	3,075				
	South Australia ...	430 "	1,367				
	Queensland ...	44 "	96				
	Hong Kong ...	8 "	139				
	United States ...	1,275 "	2,470				
		3,920 cases	10,410	Free.	
Opium ...	Great Britain ...	636 lbs.	561				
	Victoria ...	2,715 "	6,962				
	Hong Kong ...	15,364 "	38,218				
	China... ..	383 "	950				
		19,098 lbs.	46,691	Free.	
Oysters (Fresh) ...	Queensland ...	2,434 bags	1,835				
	New Zealand ...	368 "	308				
		2,802 bags	2,143	Free.	
Paint ...	Great Britain ...	29,991 cwt.	47,605				
	Victoria ...	2,591 "	5,524				
	South Australia ...	444 "	858				
	Queensland ...	74 "	336				
	Singapore ...	386 "	733				
	Hong Kong ...	3 "	60				
	New Caledonia ...	7 "	7				
	United States ...	1,385 "	4,925				
		34,881 cwt.	60,048	1,671 tons	3,342 5 2	17 Mar., 1871. 40s. per ton.	
Painters' materials	Great Britain ...	1,043 pkgs.	2,754				
	Victoria ...	168 "	390				
	Queensland ...	3 "	17				
		1,214 pkgs.	3,161	Free.	

IMPORTS—continued.

Articles.	Countries whence Imported.	Importations.		Entered for Home Consumption.	Duty.	
		Quantities.	Value.		Gross Amount received.	Rate, and when imposed.
Paperhangings	Great Britain	1,113 pkgs.	£ 10,050		£ s. d.	34 Vic. No. 21.
	Victoria	253 "	2,418			
	South Australia	14 "	145			
	New Caledonia	2 "	33			
	United States	64 "	636			
		1,446 pkgs.	13,282	Free.
Pearl Shell	Victoria	¼ tons	20			
	Queensland	437 "	62,468			
	New Zealand	6 "	1,003			
	Singapore	4 "	560			
	Hong Kong	4 "	630			
	Fiji Islands	3 "	350			
	New Caledonia	4 "	250			
	South Sea Islands	104 "	9,583			
Java	3 "	190				
		565½ tons	75,054	Free.
Pepper and Spices.	Great Britain	72,655 lbs.	3,478			
	Victoria	95,807 "	4,197			
	South Australia	15,131 "	745			
	Queensland	2,425 "	149			
	New Zealand	30 "	1			
	Hong Kong	18,399 "	457			
	Singapore	80,121 "	3,882			
	Point de Galle	4,474 "	500			
	India	1,034 "	75			
	Java	14,950 "	416			
	China	498 "	35			
United States	123 "	4				
		305,647 lbs.	13,939	280,949 lbs.	2,341 4 10	17 Mar., 1871. 2d. per lb.
Phormium	New Zealand	2,488 bales	4,778	Free.
Photographic Materials	Great Britain	187 pkgs.	3,337			
	Victoria	66 "	1,211			
	Queensland	1 "	5			
	New Zealand	3 "	45			
	United States	4 "	66			
		261 pkgs.	4,664	Free.
Pickles and Sauces	Great Britain	71,271 doz.	27,869			
	Victoria	7,374 "	3,775			
	South Australia	8,279 "	3,910			
	Queensland	26 "	19			
	Tasmania	4 "	2			
	New Zealand	41 "	15			
	Singapore	216 "	116			
	Hong Kong	2,351 "	1,327			
	India	53 "	42			
	United States	5 "	2			
China	30 "	8				
		89,650 doz.	37,085	100,287 doz.	2,507 3 11	17 Mar., 1871. 18. per doz. qts. 6d. per doz. pts
Pictures & Paintings	Great Britain	590 pkgs.	10,953			
	Victoria	422 "	4,409			
	South Australia	29 "	216			
	Queensland	11 "	247			
	New Zealand	10 "	311			
	Tasmania	5 "	75			
	Mauritius	2 "	70			
	Hong Kong	101 "	1,845			
	United States	49 "	2,034			
	New Caledonia	2 "	4			
	Japan	1 "	10			
	China	7 "	110			
			1,229 pkgs.	20,284
Pipes (Tobacco)	Great Britain	2,955 pkgs.	15,745			
	Victoria	455 "	12,430			
	South Australia	212 "	230			
	Queensland	2 "	59			
	New Zealand	1 "	25			
	Hong Kong	7 "	16			
	Point de Galle	1 "	106			
	United States	3 "	60			
	South Sea Islands	9 "	19			
	China	2 "	4			
		3,647 pkgs.	28,784	Free.

STATISTICS—1878.

89

IMPORTS—continued.

Articles.	Countries whence Imported.	Importations.		Entered for Home Consumption.	Duty.		
		Quantities.	Value.		Gross Amount received.	Rate, and when imposed.	
Pitch, Tar, and Resin ...	Great Britain ...	3,398 barrels	£ 2,868		£ s. d.	34 Vic. No. 21.	
	Victoria ...	933 "	923				
	South Australia ...	545 "	269				
	Singapore ...	15 "	17				
	United States ...	4,297 "	4,696				
		9,188 barrels	8,773	Free.	
Plants and Seeds ...	Great Britain ...	684 pkgs.	4,190				
	Victoria ...	1,893 "	6,034				
	South Australia ...	43 "	108				
	Queensland ...	106 "	381				
	Tasmania ...	147 "	397				
	New Zealand ...	149 "	417				
	Fiji Islands ...	55 "	147				
	Hong Kong ...	70 "	110				
	Singapore ...	8 "	48				
	Mauritius ...	3 "	18				
	Point de Galle ...	1 "	5				
	Cape Town ...	3 "	4				
	Java ...	10 "	65				
	New Caledonia ...	85 "	160				
	South Sea Islands ...	20 "	16				
United States ...	61 "	315					
China ...	1 "	1					
		3,339 pkgs.	12,416	Free.	
Potatoes ...	Victoria ...	15,247 tons	77,480				
	South Australia ...	333 "	2,546				
	Queensland ...	638 "	3,287				
	New Zealand ...	6,503 "	28,001				
	Tasmania ...	3,295 "	15,955				
	Fiji Islands ...	2 "	5				
		26,018 tons	127,274	Free.	
Powder	Sporting	Great Britain ...	211,092 lbs.	10,117			
		Victoria ...	6,366 "	961			
		South Australia ...	1,315 "	242			
		Queensland ...	658 "	85			
		Fiji Islands ...	1,056 "	110			
			220,487 lbs.	11,515	73,281 lbs.	917 5 3	17 Mar., 1871. 3d. per lb.
	Blasting	Great Britain ...	1,107,090 lbs.	28,395			
		Victoria ...	75,514 "	3,884			
		South Australia ...	28,955 "	2,444			
		Queensland ...	160 "	8			
			1,211,719 lbs.	34,731	700,818 lbs.	2,920 1 6	17 Mar., 1871. 1d. per lb.
Preserves ...	Great Britain ...	133,895 lbs.	4,514				
	Victoria ...	47,465 "	1,674				
	South Australia ...	14,155 "	672				
	Queensland ...	78 "	4				
	Tasmania ...	1,536 "	29				
	Hong Kong ...	75,446 "	2,216				
	Singapore ...	203 "	7				
	Fiji Islands ...	48 "	2				
	United States ...	98,628 "	2,100				
	South Sea Islands ...	96 "	8				
	New Caledonia ...	20 "	1				
	China ...	72 "	3				
	Java ...	30 "	1				
		371,672 lbs.	11,231	291,762 lbs.	1,215 13 6	17 Mar., 1871. 1d. per lb.	
Printing Materials	Great Britain ...	1,563 pkgs.	17,616				
	Victoria ...	503 "	4,986				
	South Australia ...	54 "	160				
	New Zealand ...	4 "	611				
	United States ...	153 "	3,416				
		2,277 pkgs.	26,789	Free.	
Provisions. Bacon and Hams ...	Great Britain ...	238,534 lbs.	11,201				
	Victoria ...	114,213 "	5,114				
	South Australia ...	17,073 "	735				
	Queensland ...	2,470 "	103				
	New Zealand ...	61,753 "	2,398				
	Hong Kong ...	299 "	24				
	Singapore ...	220 "	8				
	United States ...	20,609 "	903				
	New Caledonia ...	900 "	34				
			456,071 lbs.	20,520	436,824 lbs.	3,640 4 10	17 March, 1871. 2d. per lb.

IMPORTS—*continued.*

Articles.	Countries whence Imported.	Importations.		Entered for Home Consumption.	Duty.	
		Quantities.	Value.		Gross Amount received.	Rate, and when imposed
Beef...	Great Britain ...	182 cwt.	£ 258			
	Victoria ...	73 "	118			
	South Australia ...	99 "	303			
	Queensland ...	85 "	114			
	New Zealand ...	594 "	785			
	United States ...	133 "	190			
		1,166 cwt.	1,768	Free.
Chinese	Hong Kong ...	1,624 pkgs.	1,045	Free.
Pork	Great Britain ...	520 cwt.	971			
	Victoria ...	61 "	136			
	South Australia ...	32 "	120			
	Queensland ...	6 "	19			
	New Zealand ...	365 "	835			
	Singapore ...	20 "	20			
	United States ...	73 "	138			
	Cape Town ...	3 "	10			
		1,080 cwt.	2,249	Free.
Preserved	Great Britain ...	8,360 pkgs.	11,396			
	Victoria ...	409 "	819			
	New Zealand ...	5 "	58			
	Singapore ...	9 "	9			
	South Sea Islands ...	4 "	16			
	New Caledonia ...	7 "	8			
	United States ...	600 "	1,244			
		9,394 pkgs.	13,550	Free.
Preserved Meats	Great Britain ...	865 cases	2,616			
	Victoria ...	1,314 "	1,047			
	South Australia ...	74 "	157			
	Queensland ...	844 "	1,853			
	New Zealand ...	55 "	175			
	Singapore ...	20 "	44			
	Fiji Islands ...	12 "	2			
	United States ...	718 "	878			
		3,892 cases	6,772	Free.
Vegetables (Preserved).	Great Britain ...	1,326 pkgs.	2,484			
	Victoria ...	231 "	323			
	South Australia ...	710 "	1,163			
	New Zealand ...	3 "	3			
	Hong Kong ...	763 "	594			
	Singapore ...	14 "	28			
	United States ...	320 "	196			
		3,367 pkgs.	4,791	Free.
Vegetables (Green)	Victoria ...	19,324 pkgs.	13,901			
	South Australia ...	610 "	718			
	Queensland ...	88 "	168			
	Tasmania ...	2,725 "	1,741			
	New Zealand ...	166 "	207			
	Singapore ...	9 "	18			
	Hong Kong ...	885 "	748			
	Fiji Islands ...	21 "	17			
	South Sea Islands ...	5 "	9			
	New Caledonia ...	26 "	20			
	United States ...	531 "	440			
		24,390 pkgs.	17,987	Free.
Game	Victoria ...	259 pkgs.	649			
	Tasmania ...	9 "	40			
		268 pkgs.	689	Free.
Pulu	South Sea Islands ...	114 bales	243			
	United States ...	1,191 "	3,312			
	Honolulu ...	569 "	1,511			
		1,874 bales	5,066	Free.
Quicksilver	Great Britain ...	50 bottles	500			
	Victoria ...	9 "	231			
	Queensland ...	3 "	15			
	United States ...	522 "	4,370			
		584 bottles	5,116	Free.

STATISTICS—1878.

91

IMPORTS—continued.

Articles.	Countries whence Imported.	Importations.		Entered for Home Consumption.	Duty.		
		Quantities.	Value.		Gross Amount received.	Rate, and when imposed.	
Railway Plant.	Fish Plates ...	Great Britain ...	4,706 boxes	£ 5,825	£ s. d. 34 Vic. No. 21. Free.	
	Locomotive Engines..	Great Britain ...	20 No.	53,000	Free.	
	Rails ...	Great Britain ...	67,776 No.	87,919	Free.	
	Springs ...	Great Britain ...	1,625 No.	1,096	Free.	
	Switches ...	Great Britain ...	225 No.	3,516	Free.	
	Wheels & Axles	Great Britain ...	1,717 No. pairs	31,974	Free.	
Rattans and Canes..	Victoria	42 bundles	62	
	Queensland	6,339 "	742	
	Hong Kong	547 "	510	
	Singapore	13,196 "	3,009	
	Mauritius	6 "	40	
	China...	8 "	10	
	Java	969 "	149	
	Manila	50 "	50	
				21,157 bundles	4,572	Free.
				Tons cwt. qrs. lbs.			
Rice ...	Great Britain	68 18 1 4	1,055	
	Victoria	1,515 2 1 1	31,597	
	South Australia	89 19 2 0	2,064	
	Queensland	72 3 0 24	1,959	
	New Zealand	0 10 2 23	11	
	Hong Kong	2,002 12 2 17	25,295	
	Japan...	2141 8 0 27	24,309	
	Java	188 8 2 14	3,741	
	United States	...	0 5 3 3	5	
				6,079 9 1 1	90,036	Tons cwt. qrs. lbs. 3,775 0 0 0	17 Mar., 1871. £3 per ton.
Saddlery and Harness	Great Britain	826 pkgs.	28,529	
	Victoria	1,453 "	16,041	
	South Australia	186 "	4,285	
	Queensland	34 "	567	
	Tasmania	1 "	26	
	New Zealand	6 "	205	
	Fiji Islands	2 "	12	
	New Caledonia	8 "	86	
			123 "	3,538	
			2,639 pkgs.	53,289	Free.	
Saddler's Ware ...	Great Britain	832 pkgs.	21,230	
	Victoria	18 "	223	
	Queensland	2 "	4	
	United States	...	14 "	194	
			866 pkgs.	21,651	Free.	
Sago ...	Great Britain	5,065 lbs.	612	
	Victoria	69,341 "	889	
	South Australia	6,966 "	119	
	Queensland	83 "	2	
	Hong Kong	20 "	1	
	Singapore	13,172 "	162	
	United States	...	50 "	1	
	Java	24,173 "	347	
			118,870 lbs.	2,133	158,860 lbs.	661 18 4 17 Mar., 1871. 1d. per lb.	
Salt (Bag)...	Great Britain	9,010 tons	22,694	
	Victoria	695 "	3,001	
	South Australia	445 "	2,015	
	Queensland	75 "	322	
	United States	...	3 "	3	
			10,228 tons	28,035	10,923 tons.	10,922 19 9 17 Mar., 1871. 20s. per ton.	
Salt (Rock)	Great Britain	1,027 tons	1,972	
	Victoria	274 "	883	
	Queensland	3 "	24	
	France	6 "	20	
			1,310 tons	2,899	Included in Salt.	
Saltpetre ...	Great Britain	557 cwt.	783	
	Victoria	18 "	59	
				575 cwt.	842	Included in Salt.

IMPORTS—*continued.*

Articles.	Countries whence Imported.	Importations.		Entered for Home Consumption.	Duty.	
		Quantities.	Value.		Gross Amount received.	Rate, and when imposed.
Sarsaparilla	Great Britain ...	136 galls.	£ 183	5,350 galls.	£ s. d. 1,070 0 6	37 Vic. No. 5 1 Jan., 1874. 4s. per gallon.
	Victoria ...	438 "	481			
	South Australia ...	1,087 "	845			
	United States ...	5,291 "	3,605			
		6,952 galls.	5,114			
Sashes	Victoria ...	5,221 No.	1,878	Included in doors.	34 Vic. No. 21. 17 Mar., 1871.
	Queensland ...	28 "	11			
	United States ...	250 "	205			
		5,499 No.	2,094			
Shutters	Victoria ...	172 No.	80	Do.	do.
	United States ...	8 "	8			
		180 No.	88			
Ship Chandlery	Great Britain ...	709 pkgs.	16,788	Free.
	Victoria ...	186 "	1,811			
	South Australia ...	1 "	65			
	Queensland ...	13 "	102			
	New Zealand ...	11 "	79			
	Singapore ...	1 "	37			
	Hong Kong ...	240 "	199			
	Fiji Islands ...	16 "	24			
United States ...	14 "	138				
		1,191 pkgs.	19,243			
Shooks and Staves...	Great Britain ...	193 bundles	65	Free.
	Victoria ...	4,448 "	1,817			
	South Australia ...	31 "	16			
	Queensland ...	1,167 "	405			
	Tasmania ...	824 "	240			
	Fiji Islands ...	36 "	14			
	New Caledonia ...	3,101 "	934			
United States ...	1,034 "	397				
		10,834 bundles	3,798			
Silver Plate and Plated Ware.	Great Britain ...	766 pkgs.	28,722	Free.
	Victoria ...	169 "	10,450			
	Queensland ...	4 "	106			
	New Zealand... ..	1 "	5			
	Tasmania ...	1 "	10			
	United States ...	219 "	6,212			
Java ...	3 "	50				
		1,163 pkgs.	45,555			
Horned Cattle	Victoria ...	74 No.	57	Free.
	Queensland ...	50,329 "	46,820			
	Fiji Islands ...	104 "	115			
	New Caledonia ...	4,645 "	3,868			
	Java ...	5 "	5			
	Honolulu ...	45 "	37			
		55,202 No.	50,902			
Horse	Queensland ...	254 No.	96	Free.
Kangaroo	Queensland ...	62 pkgs.	296	Free.
	Tasmania ...	3 "	188			
		65 pkgs.	484			
Sheep	Victoria ...	222 bales	2,395	Free.
	South Australia ...	358 "	4,102			
	Queensland ...	2,522 "	21,598			
	Tasmania ...	1 "	5			
	Fiji Islands ...	10 "	60			
	New Caledonia ...	78 "	608			
South Sea Islands ...	4 "	30				
		3,195 bales	28,798			
Unmanu- factured	Great Britain ...	902,742 No.	11,189	Free.
	Victoria ...	43,631 "	578			
	South Australia ...	177,393 "	1,851			
	United States ...	916,408 "	9,454			
		2,040,174 No.	23,072			

STATISTICS—1878.

93

IMPORTS—continued.

Articles.	Countries whence Imported.	Importations.		Entered for Home Consumption.	Duty.	
		Quantities.	Value.		Gross Amount received.	Rate, and when imposed.
Slates contd. { Slabs ...	Great Britain ...	51,071 No.	£ 1,331		£ s. d.	34 Vic. No. 21.
	Victoria ...	6 "	2			
	South Australia ...	1,537 "	500			
		52,614 No.	1,833	Free.
Soda—Crystals ...	Great Britain ...	812 tons	4,677			
	Victoria ...	56 "	522			
	South Australia ...	13 "	112			
	Queensland ...	¼ "	3			
		881¼ tons	5,314	960 tons.	960 15 3	17 March, 1871. 20s. per ton.
Soap ...	Great Britain ...	2,013 cwt.	4,477			
	Victoria ...	7,115 "	8,644			
	South Australia ...	2,087 "	2,928			
	Queensland ...	92 "	94			
	New Zealand ...	1,441 "	1,260			
	Singapore ...	9 "	24			
	United States ...	266 "	257			
		13,023 cwt.	17,684	Free.
Specimens of Natural History	Great Britain ...	8 pkgs.	212			
	Victoria ...	15 "	91			
	Queensland ...	54 "	181			
	Tasmania ...	5 "	23			
	New Zealand ...	17 "	78			
	Hong Kong ...	9 "	250			
	Fiji Islands ...	23 "	78			
	South Sea Islands ...	3 "	6			
	Java ...	2 "	8			
	New Guinea ...	26 "	160			
	New Caledonia ...	13 "	18			
	United States ...	8 "	75			
		183 pkgs.	1,180	Free.
Brandy...	Great Britain ...	321,083 galls.	155,570			
	Victoria ...	67,241 "	34,829			
	Queensland ...	922 "	782			
	South Australia ...	31,552 "	23,825			
	Tasmania ...	52 "	45			
	New Zealand ...	145 "	122			
	Fiji Islands ...	118 "	60			
	Mauritius ...	2 "	2			
	South Sea Islands ...	142 "	68			
	New Caledonia ...	645 "	282			
	France ...	80,105 "	36,758			
		502,007 galls.	252,343	420,557 galls.	210,278 18 2	9 March, 1871. 10s. ¾ proof gall
Rum ...	Great Britain ...	191,913 galls.	37,420			
	Victoria ...	17,478 "	5,101			
	Queensland ...	34,190 "	4,053			
	South Australia ...	7,419 "	2,573			
	New Zealand ...	28 "	7			
	Singapore ...	16 "	6			
		251,044 galls.	49,160	330,611 galls.	165,305 13 8	9 March, 1871. 10s. ¾ proof gall
Geneva	Great Britain ...	158,535 galls.	36,336			
	Victoria ...	9,945 "	3,449			
	Queensland ...	350 "	203			
	South Australia ...	5,388 "	3,186			
	Tasmania ...	627 "	338			
	New Zealand ...	511 "	246			
	United States ...	934 "	300			
	New Caledonia ...	132 "	38			
		176,422 galls.	44,096	153,429 galls.	76,714 11 11	9 March, 1871. 10s. ¾ proof gall
Spirits... { Gin ...	Great Britain ...	8,873 galls.	3,044			
	Victoria ...	796 "	256			
	South Australia ...	1,105 "	927			
		10,774 galls.	4,227	23,703 galls.	11,851 12 11	9 March, 1871. 10s. ¾ proof gall
Whiskey	Great Britain ...	125,456 galls.	50,644			
	Victoria ...	22,081 "	8,441			
	Queensland ...	412 "	236			
	South Australia ...	8,718 "	6,551			
		156,667 galls.	65,872	118,801 galls.	59,400 19 9	9 March, 1871. 10s. ¾ proof gall

IMPORTS—*continued.*

Articles.	Countries whence Imported.	Importations.		Entered for Home Consumption.	Duty.					
		Quantities.	Value.		Gross Amount received.	Rate, and when imposed.				
Spirits— <i>continued.</i>	Liqueurs ...	Great Britain ...	1,599 galls.	£ 1,225	4,476 galls.	£ s. d. 2,238 7 11	34 Vic. No. 21. 9 Mar., 1871. 10s. per gall.			
		Victoria ...	1,095 "	815						
	Queensland ...	102 "	21							
	South Australia ...	2,898 "	2,875							
	New Zealand ...	9 "	3							
	Hong Kong ...	1,258 "	267							
	United States ...	464 "	491							
	New Caledonia ...	7 "	3							
			7,432 galls.	5,700						
	Perfumed ...	Great Britain ...	4,079 galls.	10,257				4,857 galls.	2,428 11 6	9 Mar., 1871. 10s. per gall.
		Victoria ...	342 "	1,042						
		Queensland ...	81 "	155						
	South Australia ...	7 "	25							
	United States ...	1,110 "	1,266							
	New Caledonia ...	16 "	66							
Methylated ...	Great Britain ...	57 galls.	15	11,504 galls.	1,150 8 2	9 Mar., 1871. 2s. per gall.				
	Victoria ...	1,682 "	770							
All other ...		1,739 galls.	785							
	Great Britain ...	23,440 galls.	4,637	32,753 galls.	16,376 15 6	9 Mar., 1871. 10s. per gall.				
	Victoria ...	50,797 "	4,132							
	South Australia ...	345 "	277							
	Queensland ...	155 "	520							
Hong Kong ...	1,864 "	800								
	United States ...	321 "	792							
		76,922 galls.	11,158							
Starch ...	Great Britain ...	828,439 lbs.	13,358	840,539 lbs.	3,502 4 11	17 Mar., 1871. 1d. per lb.				
	Victoria ...	34,712 "	713							
	South Australia ...	11,273 "	285							
	Queensland ...	65 "	2							
	United States ...	32,056 "	1,091							
	China... ..	18 "	1							
		906,563 lbs.	15,450							
Paper, printing ...	Great Britain ...	5,948 bales	62,441	Free.				
	Victoria ...	164 "	2,107							
	South Australia ...	4 "	28							
	Queensland ...	1 "	37							
	United States ...	2 "	13							
		6,119 bales	64,626							
Paper, brown and wrapping	Great Britain ...	12,181 cwt.	17,433	13,700 cwt.	2,286 0 11	17 Mar., 1871. 3s. 4d. per cwt.				
	Victoria ...	1,687 "	4,770							
	South Australia ...	118 "	269							
	Tasmania ...	2 "	12							
	Hong Kong ...	51 "	177							
	New Caledonia ...	1 "	6							
	United States ...	9 "	30							
		14,049 cwt.	22,697							
Paper, writing and fancy ...	Great Britain ...	299,375 lbs.	14,113	326,860 lbs.	1,361 18 4	17 Mar., 1871. 1d. per lb.				
	Victoria ...	22,627 "	1,635							
	South Australia ...	56 "	4							
	Queensland ...	138 "	7							
	New Zealand ...	523 "	52							
	Hong Kong ...	657 "	64							
	United States ...	21 "	1							
	China... ..	120 "	7							
		323,517 lbs.	15,883							
Books and Periodicals	Great Britain ...	3,607 pkgs.	96,170	Free.				
	Victoria ...	3,406 "	58,897							
	South Australia ...	20 "	315							
	Queensland ...	120 "	2,169							
	Tasmania ...	11 "	44							
	New Zealand... ..	48 "	1,119							
	Hong Kong ...	77 "	447							
	Singapore ...	2 "	170							
	Mauritius ...	4 "	25							
	Point de Galle ...	16 "	292							
	Fiji Islands ...	5 "	36							
	South Sea Islands ...	16 "	115							
	New Caledonia ...	2 "	6							
	United States ...	556 "	20,345							
	China... ..	1 "	5							
		7,891 pkgs.	180,155							

STATISTICS—1878.

IMPORTS—continued.

Articles.	Countries whence Imported.	Importations.		Entered for Home Consumption.	Duty.		
		Quantities.	Value.		Gross Amount received.	Rate, and when imposed.	
Stationery— contd. Sundries	Great Britain ...	3,495 pkgs.	£ 45,355		£ s. d.	34 Vic. No. 21.	
	Victoria ...	1,596 "	14,388				
	South Australia ...	30 "	331				
	Queensland ...	19 "	87				
	New Zealand ...	26 "	298				
	Fiji Islands ...	8 "	13				
	Singapore ...	4 "	32				
	Hong Kong ...	191 "	508				
	United States ...	579 "	1,882				
	Point de Galle ...	1 "	50				
South Sea Islands ...	1 "	4					
France ...	1 "	1					
		5,951 pkgs.	62,949			Free.	
Stones	Victoria ...	180 tons	45				
	Queensland ...	24 "	12				
	Tasmania ...	200 "	50				
	New Caledonia ...	340 "	213				
			744 tons	320			Free.
	Victoria ...	1,664 blocks	2,140				
	New Zealand ...	5 "	6				
			1,669 blocks	2,146			Free.
	Victoria ...	1,218 No.	1,704				
			2,976 No.	924			Free.
Stoneware...	Great Britain ...	38 No.	508				
	Victoria ...	26 "	110				
			64 No.	618			Free.
	Great Britain ...	1,287 pkgs.	3,296				
	Victoria ...	170 "	191				
			1,457 pkgs.	3,487			Free.
	Sugar...	Great Britain ...	Tons cwt. qrs. lbs. 1,290 18 2 20	30,082			
		Victoria ...	2,303 19 3 11	67,175			
		South Australia ...	1,299 18 0 9	37,416			
		Queensland ...	3,502 11 0 10	90,825			
New Zealand ...		22 19 3 6	691				
Mauritius ...		8,492 15 2 8	221,371				
Hong Kong ...		180 4 1 26	5,802				
Fiji Islands ...		0 18 3 13	32				
Manila ...		148 2 3 12	4,000				
Ilo Ilo ...		445 3 2 0	10,500				
Java ...	8,103 4 0 0	193,709					
Formosa ...	1,656 6 1 5	35,451					
United States ...	10 14 0 23	180					
		27,457 17 3 3	697,234	13,258 tons	66,294 13 11	9 March, 1871. 5s. per cwt.	
Sugar...	Great Britain ...	Tons cwt. qrs. lbs. 40 11 2 1	1,464				
	Victoria ...	111 1 1 14	4,065				
	South Australia ...	1 16 0 0	76				
	Queensland ...	0 3 1 14	7				
	Hong Kong ...	60 15 2 26	1,844				
	United States ...	0 0 2 1	1				
			214 8 2 0	7,457	178 tons	1,191 1 4	9 March, 1871. 6s. 8d. per cwt.
	Sugar...	Great Britain ...	Tons cwt. qrs. lbs. 33 6 0 25	779			
		Victoria ...	14 8 3 18	390			
		South Australia ...	2 14 3 0	104			
Queensland ...		4 4 2 2	44				
New Zealand ...		1 0 2 18	20				
Hong Kong ...		0 15 0 0	20				
United States ...		0 4 2 16	3				
			56 14 2 23	1,360	78 tons	262 3 10	9 March, 1871. 3s. 4d. per cwt.

IMPORTS—continued.

Articles.	Countries whence Imported.	Importations.		Entered for Home Consumption.	Duty.	
		Quantities.	Value.		Gross Amount received.	Rate, and when imposed.
Sulphur ...	Great Britain ...	5,817 cwt.	1,807		£ s. d.	34 Vic. No. 2
	Victoria ...	73 "	69			
	Hong Kong ...	100 "	140			
		5,990 cwt.	2,016	Free.
Sundries ...	Great Britain ...	10,396 pkgs.	39,011		£ s. d.	34 Vic. No. 2
	Victoria ...	13,746 "	32,852			
	South Australia ...	1,048 "	3,480			
	Queensland ...	2,221 "	1,627			
	Tasmania ...	692 "	1,263			
	New Zealand ...	941 "	1,020			
	Hong Kong ...	1,551 "	3,817			
	Singapore ...	29 "	434			
	Mauritius ...	37 "	45			
	Fiji Islands ...	516 "	655			
	South Sea Islands ...	89 "	403			
	New Caledonia ...	865 "	589			
	Japan... ..	57 "	305			
	United States ...	3,618 "	5,751			
		35,899 pkgs.	91,457	Free.
Tallow ...	Great Britain ...	5 cwt.	7		£ s. d.	34 Vic. No. 2
	Victoria ...	9,473 "	26,141			
	South Australia ...	92 "	140			
	Queensland ...	11,793 "	18,560			
	New Zealand ...	3,179 "	5,565			
	Tasmania ...	100 "	130			
		24,680 cwt.	50,581	Free.
Tapioca ...	Great Britain ...	9,344 lbs.	145		£ s. d.	34 Vic. No. 2
	Victoria ...	57,440 "	923			
	Hong Kong ...	27,000 "	480			
	Singapore ...	235,238 "	2,853			
	United States ...	290 "	29			
		329,312 lbs.	4,430	Free.
Tea... ..	Great Britain ...	1,696 lbs.	124		£ s. d.	34 Vic. No. 2
	Victoria ...	573,733 "	39,958			
	South Australia ...	221,963 "	15,707			
	Queensland ...	19,258 "	1,805			
	New Zealand ...	4,733 "	427			
	Fiji Islands ...	4,100 "	220			
	Hong Kong ...	1,059,982 "	62,139			
	Singapore ...	36,068 "	2,152			
	China ...	3,448,735 "	240,344			
	United States ...	138 "	7			
		5,370,406 lbs.	362,883	5,060,720 lbs.	63,259 0 0	9 Mar., 1871. 3d. per lb.
Telegraphic Materials ...	Great Britain ...	1,624 pkgs.	12,963		£ s. d.	34 Vic. No. 2
	Victoria ...	160 "	2,131			
	South Australia ...	3 "	12			
	Hong Kong ...	1 "	50			
	United States ...	40 "	588			
		1,828 pkgs.	15,744	Free.
Timber { Dressed	Great Britain ...	274,684 feet	2,607		£ s. d.	34 Vic. No. 2
	Victoria ...	1,125,067 "	15,947			
	South Australia ...	108,479 "	2,110			
	Queensland ...	604,734 "	6,931			
	Tasmania ...	420 "	6			
	New Zealand ...	263,553 "	3,582			
	South Sea Islands ...	3,000 "	26			
	United States ...	1,435,953 "	26,587			
	British Columbia ...	931,123 "	7,250			
	Vancouver's Island ...	54,259 "	432			
		4,801,272 feet	65,478	5,528,146 feet.	5,528 2 11	17 Mar., 1871. 21s. per 100 ft. superficial.

STATISTICS—1878.

97

IMPORTS—continued.

Articles.	Countries whence Imported.	Importations.		Entered for Home consumption.	Duty.		
		Quantities.	Value.		Gross Amount received.	Rate, and when imposed.	
Timber—continued.	Undressed ...	Great Britain ...	680,837 feet	£ 5,501	14,113,575 feet	£ s. d. 7,056 15 9	34 Vic. No. 21.
		Victoria ...	1,868,292 "	15,488			
		South Australia ...	270,519 "	2,995			
		Queensland ...	3,279,562 "	26,011			
		New Zealand ...	993,468 "	7,251			
		Tasmania ...	35,550 "	330			
		Hong Kong ...	4,344 "	24			
		Fiji Islands ...	8,478 "	45			
		United States ...	2,545,363 "	30,987			
		Sweden ...	597,421 "	3,005			
	Vancouver's Island ...	148,831 "	994				
	Java ...	360 "	4				
	British Columbia ...	2,314,901 "	13,509				
	Sandalwood...	Queensland ...	12,747,926 feet	106,144	17 Mar., 1871.	1s. per 100 ft. superficial.	Free.
	Shingles ...	Victoria ...	80 tons	800	Free.		
Tasmania ...		38,500 No.	61				
United States ...		21,000 "	100				
Palings ...	Victoria ...	573,000 "	645	Free.			
	South Australia ...	632,500 No.	806				
	Tasmania ...	115,117 No.	1,307				
Laths ...	Victoria ...	11,260 "	107	Free.			
	South Australia ...	806,161 "	4,665				
	United States ...	932,538 No.	6,079				
All other ...	Victoria ...	8,748 bdles.	742	Free.			
	Queensland ...	449 "	79				
	United States ...	1,402 "	148				
Tin	Ingots ...	Victoria ...	10,599 bdles.	969	Included in rough timber.	Free.	
		Queensland ...	79,298 feet	594			
		Tasmania ...	23,764 "	184			
	Plates ...	Victoria ...	103,062 feet	778			Free.
		Queensland ...	1 ton	60			
		Tasmania ...	13 "	898			
	Ore ...	Victoria ...	759 "	38,650			Free.
		Queensland ...	773 tons	39,608			
		Tasmania ...	13,395 boxes	16,321			
	Tinware ...	Victoria ...	1,737 "	2,309			Free.
Queensland ...		11 "	30				
Tasmania ...		15,143 boxes	18,660				
Tobacco.	Manufactured	Victoria ...	79 tons	3,090	Free.		
		Queensland ...	2,329 "	97,070			
		Tasmania ...	1,926 "	78,192			
	Undressed	Victoria ...	4,334 tons	178,352		Free.	
		Great Britain ...	524 pkgs.	6,969			
		Victoria ...	1,001 "	3,069			
		South Australia ...	46 "	436			
		Queensland ...	22 "	61			
		Fiji Islands ...	1 "	3			
		United States ...	22 "	99			
Great Britain ...	1,616 pkgs.	10,637	Free.				
Victoria ...	82,868 lbs.	6,413					
South Australia ...	373,526 "	25,894					
Queensland ...	75,604 "	10,575					
Tasmania ...	9,599 "	863					
New Zealand ...	1,179 "	50					
Hong Kong ...	16,354 "	990					
South Sea Islands ...	6,293 "	401					
Mauritius ...	2,359 "	90	9 Mar., 1871.	2s. per lb.			
United States ...	4,921 "	100					
New Caledonia ...	456,433 "	35,621	261,142 lbs.	26,114 5 3			
Great Britain ...	927 "	91					
Victoria ...	1,030,063 lbs.	81,088					

IMPORTS—*continued.*

Articles.	Countries whence Imported.	Importations.		Entered for Home Consumption.	Duty.		
		Quantities.	Value.		Gross amount received.	Rate, and when imposed.	
Tobacco— <i>continued.</i>	Leaf... ..	Great Britain ...	433,329 lbs.	17,180	1,164,225 lbs.	£ s. d. 58,211 5 5	34 Vic. No. 21. 9 Mar., 1871. 1s. per lb.
		Victoria ...	496,353 "	19,597			
		South Australia ...	61 "	10			
		United States ...	1,518,361 "	55,858			
			2,448,104 lbs.	92,645			
	Sheepwash*...	3,167 lbs.	39 11 9	9 Mar., 1871. 3d. per lb.
	Cigars	Great Britain ...	57,020 lbs.	15,081	94,408 lbs.	24,602 3 11	9 March, 1871. 5s. per lb.
		Victoria ...	19,795 "	8,075			
		Queensland ...	10 "	2			
		South Australia ...	1,860 "	1,151			
New Zealand ...		539 "	270				
Singapore ...		92,898 "	24,939				
Hong Kong ...		9,480 "	2,661				
South Sea Islands ...		988 "	80				
Honolulu ...		158 "	65				
United States ...		63 "	60				
China... ..		99 "	27				
Java		719 "	60				
Japan	520 "	30					
		184,149 lbs.	52,501				
Snuff	Great Britain ...	188 lbs.	18	Included in Manufactured Tobacco	
	Victoria	314 "	56				
		502 lbs.	74				
Tortoise-shell	Queensland	415 lbs.	225	Free.	
	Hong Kong	26 "	19				
	Fiji Islands	547 "	477				
	South Sea Islands ...	1,395 "	1,375				
	New Caledonia	717 "	259				
		3,100 lbs.	2,355				
Toys and Fancy Goods	Great Britain ...	3,445 pkgs.	73,089	Free.	
	Victoria	1,547 "	38,044				
	South Australia ...	204 "	2,761				
	Queensland	92 "	883				
	New Zealand	21 "	843				
	Point de Galle	5 "	600				
	Hong Kong	926 "	6,885				
	Singapore	4 "	81				
	Fiji Islands	1 "	1				
	India	14 "	125				
	New Caledonia	1 "	6				
	United States	806 "	5,146				
	China	15 "	130				
	France	14 "	166				
Japan	1 "	3					
		7,096 pkgs.	128,763				
Turpentine	Great Britain ...	6,567 galls.	1,042	28,632 galls.	1,431 12 8	17 Mar., 1871. 1s. per gall.	
	Victoria	3,288 "	599				
	South Australia ...	587 "	169				
	Queensland	647 "	144				
	United States	17,516 "	2,387				
		28,605 galls.	4,341				
Turnery and Wood-ware	Great Britain ...	324 pkgs.	4,677	Free.	
	Victoria	3,450 "	6,791				
	South Australia ...	317 "	647				
	Queensland	505 "	153				
	New Zealand	1 "	2				
	United States	9,466 "	10,818				
		14,063 pkgs.	23,088				
Upholstery	Great Britain ...	609 pkgs.	18,106	Free.	
	Victoria	1,284 "	5,277				
	South Australia ...	65 "	333				
	Queensland	67 "	238				
	Singapore	58 "	180				
	United States	16 "	330				
		2,099 pkgs.	24,464				

* Tobacco converted into Sheepwash in bond.

STATISTICS—1878.

99

IMPORTS—continued.

Articles.	Countries whence Imported.	Importations.		Entered for Home Consumption.	Duty.					
		Quantities.	Value.		Gross Amount received.	Rate, and when imposed.				
Varnish ...	Great Britain ...	16,607 galls.	£ 9,913	19,967 galls.	£ 1,996	34 Vic. No. 21. 17 Mar., 1871. 2s. 7 ¹ / ₂ gall.				
	Victoria ...	2,881 "	1,889							
	South Australia ...	100 "	75							
	Singapore ...	54 "	48							
	United States ...	95 "	51							
		19,737 galls.	11,976							
Vermicelli and Macaroni...	Great Britain ...	391 pkgs.	1,529	Free.				
	Victoria ...	70 "	103							
	South Australia ...	55 "	86							
	Hong Kong ...	294 "	307							
	Singapore ...	1 "	2							
	United States ...	425 "	320							
		20 "	16							
		1,256 pkgs.	2,423							
Vinegar ...	Great Britain ...	80,100 galls.	9,501	100,574 galls.	2,514	17 Mar., 1871. 6d. 7 ¹ / ₂ gall.				
	Victoria ...	11,507 "	1,455							
	South Australia ...	9,011 "	1,801							
	Queensland ...	136 "	24							
	Hong Kong ...	8 "	1							
	Singapore ...	124 "	13							
		904 "	85							
		101,790 galls.	12,880							
Watches and Clocks	Great Britain ...	438 pkgs.	12,304	Free.				
	Victoria ...	380 "	33,791							
	South Australia ...	10 "	44							
	Queensland ...	4 "	50							
	Singapore ...	2 "	70							
	Point de Galle ...	13 "	3,786							
	South Sea Islands ...	1 "	6							
	New Caledonia ...	1 "	4							
	United States ...	1,597 "	6,189							
		2,446 pkgs.	56,244							
Wine {	Sparkling...	Great Britain ...	15,336 galls.	23,445	13,363 galls.	4,008	9 Mar., 1871. 6s. 7 ¹ / ₂ gall.			
		Victoria ...	2,586 "	4,079						
		Queensland ...	89 "	80						
		South Australia ...	835 "	1,263						
		Fiji Islands ...	62 "	120						
	United States ...	20 "	25							
			18,928 galls.	29,012						
	Still ...	Great Britain ...	198,936 galls.	60,400						
		Victoria ...	22,224 "	10,315						
		Queensland ...	821 "	355						
South Australia ...		22,711 "	11,099							
Tasmania ...		9 "	3							
		6 "	3							
		12 "	7							
		351 "	179							
		400 "	200							
		11 "	7							
		871 "	395							
		403 "	105							
		8 "	4							
		246,763 galls.	83,072							
Whiting and Chalk {	Great Britain ...	3,503 casks	1,456	184,360 galls.	36,872	9 Mar., 1871. 4s. 7 ¹ / ₂ gall.				
	Victoria ...	379 "	335							
	South Australia ...	92 "	78							
	Queensland ...	3 "	3							
		3,977 casks	1,872			Free.				
Wool {	Washed and Scoured	South Australia ...	3,024 lbs.	180	Free.			
		Queensland ...	1,823,154 "	134,652						
		New Zealand ...	18 "	2						
		Tasmania ...	260 "	16						
	Fiji Islands ...	1,540 "	121							
			1,827,996 lbs.	134,971						
	Greasy ...	Victoria ...	269,328 lbs.	10,798						
South Australia ...		16,088 "	338							
Queensland ...		3,303,330 "	137,847							
New Caledonia ...		32,840 "	1,439							
		3,621,586 lbs.	150,422			Free.				

IMPORTS—continued.

Articles.	Countries whence Imported.	Importations.		Entered for Home Consumption.	Duty.	
		Quantities.	Value.		Gross Amount received.	Rate, and when imposed.
Woolpacks	Great Britain ...	9,981 dozen	£ 16,013	24,038 dozen	£ s. d. 3,605 15 0	34 Vic. No. 21. 17 Mar., 1871. 3d. each.
	Victoria ...	17,671 "	27,705			
	South Australia ...	3,251 "	8,075			
	South Sea Islands ...	4 "	8			
	Point de Galle ...	11 "	18			
		30,918 dozen	51,819			
Yellow Metal (Sheets)	Great Britain ...	825 cases	14,986	Free.
	Victoria ...	35 "	826			
	South Australia ...	39 "	820			
	Hong Kong ...	1 "	10			
	Singapore ...	1 "	4			
South Sea Islands ...	1 "	60				
		902 cases	16,706			
Yellow Metal (Nails)	Great Britain ...	511 pkgs.	3,039	Free.
	South Australia ...	11 "	20			
	New Caledonia ...	1 "	2			
	Singapore ...	27 "	27			
			550 pkgs.			
Zinc	Great Britain ...	4,298 cwt.	4,429	Free.
	South Australia ...	16 "	42			
	Victoria ...	411 "	876			
	Queensland ...	8 "	12			
	New Zealand ...	400 "	273			
		5,133 cwt.	5,632			
GENERAL TOTAL ...		£ 14,768,873				

EXPORTS.

No. 57.—GENERAL EXPORTS from the Colony during the Year 1878.

Articles.	Countries to which Exported.	Quantities.			Value.		
		Produce and Manufacture of the Colony.	British, Foreign, and other Colonial Produce and Manufacture.	Total.	Produce and Manufacture of the Colony.	British, Foreign, and other Colonial Produce and Manufacture.	Total.
Acids	Victoria	78 pkgs.	78 pkgs.	£	£ 320	£ 320
	New Zealand ...	241 pkgs.	7 "	248 "	301	63	364
	South Australia ...	1 "	1 "	1	1
	Queensland ...	653 "	34 pkgs.	687 "	787	199	986
	New Caledonia ...	10 "	30 "	40 "	12	77	89
	Fiji Islands ...	4 "	1 "	5 "	5	3	8
	South Sea Islands...	4 "	4 "	5	5
		913 pkgs.	150 pkgs.	1,063 pkgs.	1,111	662	1,773
Aerated Waters and other Summer Beverages	Victoria ...	932 pkgs.	50 pkgs.	982 pkgs.	518	79	597
	New Zealand ...	181 "	25 "	206 "	271	42	313
	South Australia ...	67 "	30 "	97 "	84	33	117
	Tasmania ...	9 "	9 "	18	18
	Queensland ...	562 "	610 pkgs.	1,172 "	800	646	1,446
	New Caledonia ...	16 "	16 "	13	13
	Fiji Islands ...	202 "	45 pkgs.	247 "	317	72	389
South Sea Islands...	20 "	20 "	15	15	
Honolulu	22 "	22 "	17	17	
		1,969 pkgs.	802 pkgs.	2,771 pkgs.	2,021	904	2,925
Agricultural Implements	Victoria ...	1 pkg.	22 pkgs.	23 pkgs.	11	188	199
	New Zealand ...	1 "	18 "	19 "	7	77	84
	Queensland ...	8 pkgs.	141 "	149 "	38	1,030	1,068
	New Caledonia ...	1 pkg.	29 "	30 "	4	101	105
	Tasmania	2 "	2 "	4	4
	Fiji Islands ...	15 pkgs.	5 "	20 "	89	21	110
South Sea Islands...	7 "	7 "	18	18	
		26 pkgs.	224 pkgs.	250 pkgs.	149	1,439	1,588

STATISTICS—1878.

101

EXPORTS—continued.

Articles.	Countries to which Exported.	Quantities.			Value.		
		Produce and Manufacture of the Colony.	British, Foreign, and other Colonial Produce and Manufacture.	Total.	Produce and Manufacture of the Colony.	British, Foreign, and other Colonial Produce and Manufacture.	Total.
					£	£	£
Anchors	New Zealand	19 No.	19 No.	59	59
	Queensland	101 "	101 "	260	260
	New Caledonia	19 "	19 "	64	64
	South Sea Islands...	6 "	6 "	11	11
	Fiji Islands	100 "	100 "	77	77
	Honolulu	6 "	6 "	38	38
			251 No.	251 No.	509	509
Antimony Ore	Great Britain	145 cwt.	145 cwt.	77	77
	Victoria	323 "	40 cwt.	172	26	198
			468 cwt.	40 cwt.	508 cwt.	249	26
Antimony Metal	Great Britain	806 cwt.	806 cwt.	1,692	1,692
	Victoria	15 "	15 "	23	23
			821 cwt.	821 cwt.	1,715
Apparel	Great Britain	46 pkgs.	46 pkgs.	779	779
	Victoria	44 pkgs.	115 "	159 "	610	1,182
	New Zealand	2 "	179 "	181 "	12	4,049
	Tasmania	1 "	62 "	63 "	15	598
	South Australia	6 "	6 "	51
	Western Australia...	3 "	3 "	20
	Queensland	3 pkgs.	1,315 "	1,318 "	33	50,691
	South Sea Islands...	44 "	44 "	605
	New Caledonia	29 "	29 "	849
	Fiji Islands	317 "	317 "	5,027
	Hong Kong	3 "	3 "	60
	Honolulu	3 "	3 "	100
	San Francisco	1 "	1 "	30
	Ceylon	1 "	1 "	5
			50 pkgs.	2,124 pkgs.	2,174 pkgs.	670	64,046
Guns	Great Britain	1 case	1 case	5	5
	Victoria	3 cases	3 cases	54	54
	South Australia	5 "	5 "	54	54
	Tasmania	57 "	57 "	840	840
	New Zealand	18 "	18 "	227	227
	Queensland	251 "	251 "	4,483
	South Sea Islands...	39 "	39 "	495
	New Caledonia	34 "	34 "	689
	Fiji Islands...	38 "	38 "	544
	Honolulu	4 "	4 "	55
				450 cases	450 cases	7,446
Caps	New Zealand	18 cases	18 cases	121	121
	South Australia	1 "	1 "	2	2
	Queensland	55 "	55 "	409	409
	South Sea Islands...	23 "	23 "	84	84
	New Caledonia	18 "	18 "	36	36
	Fiji Islands	1 "	1 "	2	2
	New Guinea	1 "	1 "	4	4
			117 cases	117 cases	658	658
Cart-ridges	Victoria	1 case	1 case	15	15
	South Australia	9 cases	9 cases	59	59
	Tasmania	241 "	241 "	403	403
	Queensland	93 "	93 "	625	625
	South Sea Islands...	5 "	5 "	33	33
	New Caledonia	7 "	7 "	72	72
	Fiji Islands	10 "	10 "	80	80
New Guinea	1 "	1 "	3	3	
			367 cases	367 cases	1,290	1,290
Arms and Ammunition	Victoria	10,000 lbs.	10,000 lbs.	1,250	1,250
	Queensland	16,910 "	16,910 "	2,127	2,127
	South Australia	250 "	250 "	32	32
	New Caledonia	1,600 "	1,600 "	216	216
	South Sea Islands...	400 "	400 "	50	50
	Fiji Islands	200 "	200 "	25	25
			29,360 lbs.	29,360 lbs.	3,700	3,700

EXPORTS—continued.

Articles.	Countries to which Exported.	Quantities.			Value.		
		Produce and Manufacture of the Colony.	British, Foreign, and other Colonial Produce and Manufacture.	Total.	Produce and Manufacture of the Colony.	British, Foreign, and other Colonial Produce and Manufacture.	Total.
					£	£	£
Arms and Ammunition—contd.	Powder (Sporting)	Victoria ...	*12,425 lbs.	12,425 lbs.	509	509
		South Australia ...	192 "	192 "	22	22
		Queensland ...	14,386 "	14,386 "	1,170	1,170
		South Sea Islands ...	3,992 "	3,992 "	292	292
		New Caledonia ...	2,598 "	2,598 "	198	198
		Fiji Islands ...	2,112 "	2,112 "	153	153
			48 "	48 "	4	4
			35,753 lbs.	35,753 lbs.	2,348	2,348
	Powder (Blasting)	Victoria ...	100 lbs.	100 lbs.	8	8
		Queensland ...	132,206 "	132,206 "	3,564	3,564
		New Caledonia ...	9,992 "	9,992 "	294	294
			142,298 lbs.	142,298 lbs.	3,866	3,866
	Shot ...	New Zealand ...	40 cwt.	40 cwt.	68	68
		South Australia ...	4 "	4 "	7	7
		Queensland ...	347 "	347 "	653	653
South Sea Islands ...		62 "	62 "	109	109	
New Caledonia ...		59 "	59 "	99	99	
Fiji Islands ...		51 "	51 "	90	90	
Honolulu ...		3 "	3 "	6	6	
New Guinea ...		6 "	6 "	12	12	
		572 cwt.	572 cwt.	1,044	1,044	
Arrowroot ...	Great Britain ...	6,944 lbs.	11,284 lbs.	18,228 lbs.	93	156	249
	Victoria ...	6,456 "	11,760 "	18,216 "	80	153	233
	New Zealand ...	336 "	11,609 "	11,945 "	6	165	171
	Tasmania ...	112 "	150 "	262 "	3	4	7
	Queensland ...	272 "	272 "	272 "	4	4	4
	South Australia ...	1,120 "	1,120 "	1,120 "	15	15	15
	New Caledonia ...	112 "	112 "	112 "	2	2	2
	Fiji Islands ...	112 "	112 "	112 "	2	2	2
			13,848 lbs.	36,419 lbs.	50,267 lbs.	182	501
Bags and Sacks ...	Victoria ...	310 bales	310 bales	2,875	2,875	
	South Australia ...	3 "	3 "	30	30	
	Tasmania ...	19 "	19 "	90	90	
	New Zealand ...	22 "	22 "	239	239	
	Queensland ...	5 bales	63 "	68 "	119	549	668
	South Sea Islands ...	41 "	41 "	489	489	
	New Caledonia ...	127 "	127 "	1,352	1,352	
	Fiji Islands ...	98 "	98 "	1,012	1,012	
			5 bales	683 bales	688 bales	119	6,636
Bags (Gunny) ...	Victoria ...	61 pkgs.	61 pkgs.	82	82	
	Queensland ...	1,368 "	1,368 "	1,599	1,599	
	South Sea Islands ...	4 "	4 "	15	15	
	New Caledonia ...	5 "	5 "	30	30	
	Fiji Islands ...	7 "	7 "	30	30	
		1,445 pkgs.	1,445 pkgs.	1,756	1,756	
Bark ... (ground & chopped)	Great Britain ...	18,921 cwt.	18,921 cwt.	7,240	7,240	
	New Zealand ...	170 "	442 "	78	68	146	
	Queensland ...	4,657 "	5,107 "	1,535	140	1,675	
	New Caledonia ...	5 "	185 "	2	70	72	
	China ...	673 "	673 "	288	288	
			4,934 cwt.	20,394 cwt.	25,328 cwt.	1,615	7,806
Baskets & Basketware	Victoria ...	4,118 pkgs.	4,118 pkgs.	1,573	1,573	
	South Australia ...	1 pkg.	1 "	2	2	
	New Zealand ...	8 pkgs.	167 "	21	34	55	
	Queensland ...	213 "	847 "	1,060 "	228	125	353
	South Sea Islands ...	2 "	2 "	5	5	
	New Caledonia ...	19 pkgs.	19 "	53	53	
	Tasmania ...	276 pkgs.	276 "	61	61	
	Fiji Islands ...	24 pkgs.	6 "	30 "	12	8	20
		265 pkgs.	5,408 pkgs.	5,673 pkgs.	316	1,806	2,122
Beche-le-mer	Great Britain ...	1 cwt.	1 cwt.	6	6	
	Victoria ...	12 "	12 "	43	43	
	Hong Kong ...	4,285 "	4,285 "	15,057	15,057	
	China ...	60 "	60 "	182	182	
	Java ...	1 "	1 "	6	6	
			4,359 cwt.	4,359 cwt.	15,294	15,294

* Very coarse, for large guns.

STATISTICS—1878:

103

EXPORTS—continued.

Articles.	Countries to which Exported.	Quantities.			Value.		
		Produce and Manufacture of the Colony.	British, Foreign, and other Colonial Produce and Manufacture.	Total.	Produce and Manufacture of the Colony.	British, Foreign, and other Colonial Produce and Manufacture.	Total.
					£	£	£
Beeswax	Great Britain	31,204 lbs.	31,204 lbs.	1,569	1,569
	Victoria	702 "	702 "	35	35
	Hong Kong	1,436 "	1,436 "	91	91
	Java	540 "	540 "	30	30
		33,882 lbs.	33,882 lbs.	1,725	1,725
In wood	Victoria	65 galls.	500 galls.	565 galls.	6	60	66
	South Australia	582 "	582 "	51	51
	New Zealand	1,500 galls.	1,500 "	178	178
	Queensland	4,866 galls.	49,719 "	54,585 "	384	5,772	6,156
	Fiji Islands	6,129 "	50 "	6,179 "	536	6	542
	New Caledonia	19,795 "	19,795 "	1,785	1,785
	Honolulu	300 galls.	300 "	40	40
	Hong Kong	750 "	750 "	75	75
	Mauritius	1,350 galls.	1,350 "	69	69
			32,787 galls.	52,819 galls.	85,606 galls.	2,831	6,131
Beer	Great Britain	3,109 galls.	3,109 galls.	954	954
	Victoria	2,065 "	2,065 "	535	535
	South Australia	13 galls.	2,550 "	2,563 "	4	708	712
	Tasmania	26 "	26 "	8	8
	New Zealand	6 galls.	2,343 "	2,349 "	2	570	572
	Queensland	1,319 "	55,348 "	56,667 "	230	13,881	14,111
	South Sea Islands	2,326 "	2,326 "	624	624
	Fiji Islands	232 galls.	7,133 "	7,365 "	44	1,931	1,975
	New Caledonia	215 "	6,610 "	6,825 "	44	1,726	1,770
	China	33 "	33 "	10	10
	San Francisco	2,113 "	2,113 "	590	590
	Petropaulovski	55 "	55 "	14	14
	Hong Kong	6 galls.	695 "	701 "	2	185	187
	New Guinea	15 "	15 "	4	4
	Java	122 "	122 "	34	34
Valparaiso	21 "	21 "	6	6	
Singapore	165 "	165 "	43	43	
Japan	6 "	6 "	2	2	
		1,791 galls.	84,735 galls.	86,526 galls.	326	21,825	22,151
Biscuits	Great Britain	780 lbs.	780 lbs.	7	7
	New Zealand	300 lbs.	4,752 "	5,052 "	2	56	58
	Tasmania	134 "	134 "	3	3
	South Australia	6,919 lbs.	2,079 "	8,998 "	116	30	146
	Queensland	16,280 "	29,840 "	46,120 "	229	440	669
	South Sea Islands	58,443 "	11,701 "	70,144 "	500	132	632
	New Caledonia	375,793 "	22,870 "	398,663 "	3,539	298	3,837
	Fiji Islands	25,746 "	382 "	26,128 "	337	15	352
	China	1,736 "	1,736 "	14	14
	Hong Kong	1,700 "	1,700 "	18	18
	Petropaulovski	394 "	394 "	8	8
	Java	6,496 "	6,496 "	40	40
	New Guinea	1,250 "	1,250 "	10	10
		483,481 lbs.	84,114 lbs.	567,595 lbs.	4,723	1,071	5,794
Blacking	Victoria	1 pkgs.	1 pkgs.	4	4
	South Australia	2 "	2 "	6	6
	New Zealand	5 "	5 "	20	20
	Queensland	79 "	79 "	277	277
		87 pkgs.	87 pkgs.	307	307
Blue	Great Britain	3,360 lbs.	3,360 lbs.	118	118
	Victoria	2,016 "	2,016 "	62	62
	New Zealand	2,448 "	2,448 "	73	73
	Queensland	6,708 "	6,708 "	208	208
	New Caledonia	2,072 "	2,072 "	65	65
	South Sea Islands	2,072 "	2,072 "	65	65
Fiji Islands	2,914 "	2,914 "	91	91	
		21,590 lbs.	21,590 lbs.	682	682
Boats	Great Britain	1 No.	1 No.	10	10
	Victoria	1 "	1 "	120	120
	Queensland	12 No.	2 "	14 "	644	70	714
	South Sea Islands	3 "	3 "	94	94
	New Caledonia	2 "	2 "	46	46
	Fiji Islands	2 "	1 No.	3 "	69	50	119
		19 No.	5 No.	24 No.	853	250	1,103

EXPORTS—continued.

Articles.	Countries to which Exported.	Quantities.			Value.		
		Produce and Manufacture of the Colony.	British, Foreign, and other Colonial Produce and Manufacture.	Total.	Produce and Manufacture of the Colony.	British, Foreign, and other Colonial Produce and Manufacture.	Total.
Bone-dust ...	Great Britain	29 tons	29 tons	190	190
	Tasmania ...	172½ tons	172½ "	1,054	1,054
	New Zealand ...	1,253¼ "	1,253¼ "	7,766	7,766
	Mauritius ...	235 "	235 "	1,310	1,310
			1,661 tons	29 tons	1,690 tons	10,130	190
Bricks { Building ... Fire ...	Victoria ...	200 No.	200 No.	1	1
	Victoria ...	3,125 No.	3,125 No.	25	25
	South Australia	60 No.	60 "	1	1
	Tasmania	7,000 "	7,000 "	45	45
	Queensland ...	12,382 No.	1,705 "	14,087 "	73	13	86
	Fiji Islands ...	44,200 "	44,200 "	267	267
New Guinea ...	200 "	200 "	2	2	
		59,907 No.	8,765 No.	68,672 No.	367	59	426
Brushware ...	Great Britain	2 pkgs.	2 pkgs.	45	45
	Victoria	46 "	46 "	151	151
	South Australia	1 pkg.	1 pkg.	2	2
	Tasmania	30 pkgs.	30 pkgs.	149	149
	New Zealand ...	2 pkgs.	12 "	14 "	16	61	77
	Queensland ...	57 "	192 "	249 "	114	1,335	1,449
	South Sea Islands...	2 "	2 "	8	8
	New Caledonia ...	7 pkgs.	21 "	28 "	8	60	68
	Fiji Islands	11 "	11 "	21	21
	San Francisco ...	1 pkg.	1 pkg.	2	2
		67 pkgs.	317 pkgs.	384 pkgs.	140	1,832	1,972
Building Materials ...	Victoria	11 pkgs.	11 pkgs.	30	30
	New Zealand ...	1 pkg.	1 pkg.	5	5
	South Australia	15 pkgs.	15 pkgs.	32	32
	Queensland ...	36 pkgs.	66 "	102 "	78	80	158
	South Sea Islands...	56 "	5 "	61 "	177	7	184
	New Caledonia ...	3 "	7 "	10 "	6	10	16
	Fiji Islands ...	75 "	10 "	85 "	66	96	162
		171 pkgs.	114 pkgs.	285 pkgs.	332	255	587
Butter ...	Great Britain ...	1,200 lbs.	12,672 lbs.	13,872 lbs.	60	524	584
	Victoria ...	23,042 "	1,020 "	24,062 "	820	76	896
	New Zealand ...	13,268 "	1,600 "	14,868 "	373	80	453
	South Australia ...	32,032 "	11,214 "	43,246 "	1,451	417	1,868
	Tasmania ...	2,335 "	2,335 "	131	131
	Queensland ...	537,678 "	11,701 lbs.	549,379 "	27,398	597	27,995
	South Sea Islands...	2,377 "	400 "	2,777 "	111	20	131
	New Caledonia ...	20,170 "	1,026 "	21,196 "	1,117	40	1,157
	Fiji Islands ...	10,586 "	10,586 "	466	466
	Manila ...	3,000 "	3,000 "	165	165
	Calcutta ...	1,920 "	1,920 "	52	52
	Bombay ...	960 "	960 "	30	30
	Java ...	6,200 "	1,600 lbs.	7,800 "	319	80	399
	Mauritius ...	15,536 "	15,536 "	585	585
	Honolulu ...	13,000 "	907 lbs.	13,907 "	608	50	658
Singapore ...	1,308 "	1,308 "	90	90	
New Guinea ...	80 "	80 "	4	4	
		684,692 lbs.	42,140 lbs.	726,832 lbs.	33,780	1,884	35,664
Candles ...	Great Britain	1,675 lbs.	1,675 lbs.	67	67
	Victoria	1,025 "	1,025 "	40	40
	New Zealand	78,300 "	78,300 "	2,930	2,930
	Tasmania	1,425 "	1,425 "	57	57
	South Australia	1,750 "	1,750 "	63	63
	Queensland ...	440 lbs.	99,585 "	100,025 "	18	3,804	3,822
	South Sea Islands...	1,275 "	1,275 "	52	52
	New Caledonia	39,657 "	39,657 "	1,417	1,417
	Fiji Islands	3,350 "	3,350 "	126	126
	Hong Kong	498 "	498 "	20	20
	China	50 "	50 "	2	2
	San Francisco	2,575 "	2,575 "	102	102
	New Guinea	50 "	50 "	2	2
Java	150 "	150 "	5	5	
		440 lbs.	231,365 lbs.	231,805 lbs.	18	8,687	8,705

STATISTICS—1878.

105

EXPORTS—continued.

Articles.	Countries to which Exported.	Quantities.			Value.		
		Produce and Manufacture of the Colony.	British, Foreign, and other Colonial Produce and Manufacture.	Total.	Produce and Manufacture of the Colony.	British, Foreign, and other Colonial Produce and Manufacture.	Total.
Canvas	Victoria ...		4 bales and packages.	4 bales and packages.	£	£	£
	New Zealand ...		57 "	57 "		219	219
	Tasmania ...		9 "	9 "		2,899	2,899
	Queensland ...		57 "	57 "		479	479
	South Sea Islands...		4 "	4 "		1,228	1,228
	New Caledonia ...		9 "	9 "		98	98
	Fiji Islands ...		16 "	16 "		129	129
			156 bales and packages.	156 bales and packages.		520	520
						5,572	5,572
Carriages	Victoria ...	9 No.	18 No.	27 No.	595	1,028	1,623
	New Zealand ...	1 "	7 "	8 "	80	125	205
	Tasmania ...	2 "		2 "	140		140
	South Australia ...		1 No.	1 "		12	12
	Queensland ...	91 No.	10 "	101 "	5,672	411	6,083
	South Sea Islands...	6 "		6 "	220		220
	New Caledonia ...	2 "		2 "	119		119
Fiji Islands ...	1 "		1 "	100		100	
Bombay ...	1 "		1 "	25		25	
		113 No.	36 No.	149 No.	6,951	1,576	8,527
Carriage-makers' Materials	Victoria ...	20 pkgs.		20 pkgs.	12		12
	New Zealand ...	4,828 "	80 pkgs.	4,908 "	1,704	46	1,750
	South Australia ...	2,007 "	197 "	2,204 "	148	93	241
	Tasmania ...		2 "	2 "		40	40
	Queensland ...	332 pkgs.	3,427 "	3,759 "	163	914	1,077
	South Sea Islands...	3 "		3 "	15		15
	New Caledonia ...	4 "	19 pkgs.	23 "	20	33	53
Fiji Islands ...	12 "	73 "	85 "	31	36	67	
		7,206 pkgs.	3,798 pkgs.	11,004 pkgs.	2,093	1,162	3,255
Carts and Waggon...	Victoria ...		8 No.	8 No.		225	225
	Tasmania ...	1 No.		1 "	38		38
	New Zealand ...	339 "		339 "	3,714		3,714
	Queensland ...	32 "		32 "	858		858
	South Sea Islands...	3 "		3 "	40		40
	Fiji Islands ...	4 "		4 "	74		74
	New Caledonia ...	1 "		1 "	12		12
Honolulu ...	1 "		1 "	19		19	
		381 No.	8 No.	389 No.	4,755	225	4,980
Cement	South Australia ...		32 casks	32 casks		25	25
	Queensland ...		290 "	290 "		242	242
	South Sea Islands...		2 "	2 "		2	2
	New Caledonia ...		70 "	70 "		58	58
	Fiji Islands ...		6 "	6 "		5	5
	Hong Kong ...		4 "	4 "		4	4
	New Guinea ...		3 "	3 "		3	3
			407 casks	407 casks		339	339
Chain Cables...	Victoria ...		25 cwt.	25 cwt.		29	29
	New Zealand ...		20 "	20 "		25	25
	Queensland ...		367 "	367 "		375	375
	Fiji Islands ...		97 "	97 "		147	147
	New Caledonia ...		50 "	50 "		70	70
			559 cwt.	559 cwt.		646	646
Charcoal	Great Britain ...	92 tons		92 tons	278		278
	Victoria ...	312 "		312 "	1,060		1,060
	New Zealand ...	2 "		2 "	6		6
		405 tons		406 tons	1,344		1,344
Cheese	Great Britain ...		1,376 lbs.	1,376 lbs.		71	71
	Victoria ...	401 lbs.	126 "	527 "	16	6	22
	South Australia ...	496 "	515 "	1,011 "	17	22	39
	Queensland ...	33,027 "	21,132 "	54,159 "	1,097	913	2,010
	South Sea Islands...	140 "	573 "	713 "	3	30	33
	New Caledonia ...	16,762 "	3,925 "	20,687 "	567	158	725
	Fiji Islands ...	1,720 "	414 "	2,134 "	44	28	72
	San Francisco ...		637 "	637 "		33	33
	Singapore ...		403 "	403 "		20	20
	New Guinea ...		60 "	60 "		2	2
Hong Kong ...		84 "	84 "		6	6	
		52,546 lbs.	29,245 lbs.	81,791 lbs.	1,744	1,289	3,033

EXPORTS—continued.

Articles.	Countries to which Exported.	Quantities.			Value.		
		Produce and Manufacture of the Colony.	British, Foreign, and other Colonial Produce and Manufacture.	Total.	Produce and Manufacture of the Colony.	British, Foreign, and other Colonial Produce and Manufacture.	Total.
Chicory	Victoria	2,197 lbs.	2,197 lbs.	£ 5	£ 5
	New Zealand	28,300 lbs.	28,300 "	358	358
	Queensland	4,256 "	4,256 "	55	55
		2,197 lbs.	32,556 lbs.	34,753 lbs.	5	413	418
Chinese Goods	Victoria	18 pkgs.	18 pkgs.	69	69
	New Zealand	15 "	15 "	70	70
	South Australia	16 "	16 "	125	125
	Queensland	576 "	576 "	2,499	2,499
	New Caledonia	12 "	12 "	65	65
	Fiji Islands	11 "	11 "	45	45
	Hong Kong	17 "	17 "	19	19
		665 pkgs.	665 pkgs.	2,892	2,892
Chocolate and Cocoa	Victoria	2,920 lbs.	2,920 lbs.	232	232
	New Zealand	1,058 "	1,058 "	64	64
	Tasmania	1,840 "	1,840 "	102	102
	South Australia	112 "	112 "	7	7
	Queensland	12,419 "	12,419 "	758	758
	South Sea Islands...	169 "	169 "	12	12
	New Caledonia	1,680 "	1,680 "	96	96
	Fiji Islands	1,680 "	1,680 "	106	106
	San Francisco	96 "	96 "	7	7
		21,974 lbs.	21,974 lbs.	1,384	1,384
Cocoa-nuts	Victoria	85,605 No.	85,605 No.	844	844
	South Australia	20,840 "	20,840 "	163	163
	New Zealand	25,632 "	25,632 "	237	237
	Tasmania	9,906 "	9,906 "	102	102
	Queensland	11,384 "	11,384 "	108	108
		153,367 No.	153,367 No.	1,454	1,454
Coal	Victoria	399,273 tons	209,273 tons	213,020	213,020
	South Australia	95,111 "	95,111 "	61,594	61,594
	Tasmania	25,548 "	25,548 "	18,217	18,217
	New Zealand	184,240 "	184,240 "	129,335	129,335
	Queensland	9,151 "	9,151 "	5,788	5,788
	South Sea Islands...	5,041 "	5,041 "	3,807	3,807
	New Caledonia	6,259 "	6,259 "	4,443	4,443
	Fiji Islands	500 "	500 "	350	350
	Hong Kong	82,605 "	82,605 "	59,413	59,413
	Mauritius	1,763 "	1,763 "	1,265	1,265
	Manila	19,801 "	19,801 "	14,209	14,209
	Honolulu	4,139 "	4,139 "	3,059	3,059
	Singapore	6,398 "	6,398 "	4,570	4,570
	Petropaulovski	4,546 "	4,546 "	3,465	3,465
	Rangoon	2,680 "	2,680 "	1,882	1,882
	Madras	6,589 "	6,589 "	4,611	4,611
	Bombay	8,595 "	8,595 "	6,078	6,078
	Java	9,826 "	9,826 "	7,114	7,114
	Japan	33,623 "	33,623 "	24,286	24,286
	China	32,243 "	32,243 "	24,899	24,899
	Callao	270 "	270 "	217	217
	San Francisco	121,202 "	121,202 "	89,585	89,585
	Valparaiso	4,586 "	4,586 "	4,125	4,125
	Nagapatam	11,434 "	11,434 "	8,024	8,024
	Tuticorin	7,042 "	7,042 "	4,981	4,981
	Portland (U.S.)	2,555 "	2,555 "	2,050	2,050
	New Guinea	330 "	330 "	265	265
Zebu	270 "	270 "	189	189	
Ceylon	10,800 "	10,800 "	7,565	7,565	
		1,006,420 tons	1,006,420 tons	708,406	708,406
Cobalt	Great Britain	55 tons	55 tons	824	824
	
Coke	Victoria	150 tons	150 tons	266	266
	South Australia	5 "	5 "	10	10
	Tasmania	2 "	2 "	4	4
	New Zealand	374 "	374 "	763	763
	Queensland	10 "	10 "	20	20
	New Caledonia	210 "	210 "	250	250
		751 tons	751 tons	1,313	1,313

STATISTICS—1878.

107

EXPORTS—continued.

Articles.	Countries to which Exported.	Quantities.			Value.		
		Produce and Manufacture of the Colony.	British, Foreign, and other Colonial Produce and Manufacture.	Total.	Produce and Manufacture of the Colony.	British, Foreign, and other Colonial Produce and Manufacture.	Total.
Coffee (raw and ground) ...	Great Britain		3,490 lbs.	3,490 lbs.	£	£	£
	Victoria		929 "	929 "		191	191
	New Zealand		70,059 "	70,059 "		49	49
	Tasmania		48 "	48 "		3,695	3,695
	South Australia		1,548 "	1,548 "		3	3
	Queensland		43,668 "	43,668 "		86	86
	South Sea Islands		2,676 "	2,676 "		2,402	2,402
	New Caledonia		22,567 "	22,567 "		149	149
	Fiji Islands		3,011 "	3,011 "		1,208	1,208
	China		282 "	282 "		169	169
	San Francisco		831 "	831 "		15	15
	Mauritius		110 "	110 "		43	43
	Petropaulovski		600 "	600 "		6	6
	Valparaiso		104 "	104 "		34	34
	Singapore		258 "	258 "		6	6
	Nagapatam		28 "	28 "		14	14
	Java		241 "	241 "		2	2
	New Guinea		104 "	104 "		13	13
	Hong Kong		936 "	936 "		5	5
	Japan		671 "	671 "		50	50
Manila		150 "	150 "		37	37	
Callao		309 "	309 "		9	9	
			152,620 lbs.	152,620 lbs.		8,206	8,206
Confectionery	Victoria		30 lbs.	30 lbs.		2	2
	Tasmania	60 lbs.	112 "	172 "	3	5	8
	New Zealand	72 "	560 "	632 "	4	20	24
	South Australia		1,120 "	1,120 "		43	43
	Queensland	5,640 lbs.	17,439 "	23,079 "	276	724	1,000
	South Sea Islands	672 "	1,120 "	1,792 "	37	46	83
	New Caledonia	5,144 "	1,234 "	6,378 "	185	55	240
	Fiji Islands	767 "	559 "	1,326 "	40	24	64
		12,355 lbs.	22,174 lbs.	34,529 lbs.	545	919	1,464
Gold	Great Britain	257 boxes		257 boxes	1,235,933		1,235,933
	Victoria	44 "		44 "	215,600		215,600
	New Zealand	14 "		14 "	46,000		46,000
	South Australia	2 "		2 "	3,000		3,000
	Queensland	12 "		12 "	47,200		47,200
	Hong Kong	53 "		53 "	57,305		57,305
	Fiji Islands	4 "		4 "	6,000		6,000
	South Sea Islands	4 "		4 "	2,400		2,400
	Java	3 "		3 "	15,000		15,000
	Singapore	2 "		2 "	473		473
	Ceylon	5 "		5 "	25,000		25,000
		400 boxes		400 boxes	1,653,911		1,653,911
Coins ...	Silver	Great Britain	10 boxes	10 boxes		3,090	3,090
		Victoria	12 "	12 "		3,000	3,000
		New Zealand	24 "	24 "		5,000	5,000
		South Australia	3 "	3 "		500	500
		Queensland	1 "	1 "		50	50
		South Sea Islands	3 "	3 "		1,600	1,600
		New Caledonia	1 "	1 "		80	80
		Fiji Islands	4 "	4 "		2,000	2,000
		France	10 "	10 "		2,416	2,416
	San Francisco	1 "	1 "		400	400	
		69 boxes	69 boxes		18,136	18,136	
Copper	Victoria	1 box	1 box		5	5	
Raw	Great Britain	61,403 cwt.	16,396 cwt.	77,799 cwt.	209,622	56,277	265,899
	Victoria	14,561 "	3,440 "	18,001 "	52,823	11,330	64,153
	South Australia	23,500 "		23,500 "	74,213		74,213
	New Zealand	154 "		154 "	591		591
	Queensland	46 "	20 cwt.	66 "	160	68	228
		99,664 cwt.	19,856 cwt.	119,520 cwt.	337,409	67,675	405,084
Sheet	Queensland		8 cases	8 cases		93	93
	New Caledonia		14 "	14 "		90	90
	Fiji Islands		1 "	1 "		8	8
			23 cases	23 cases		191	191
Regulus	Great Britain	3,984 cwt.		3,984 cwt.	6,869		6,869
	Victoria	20 "		20 "	30		30
		4,004 cwt.		4,004 cwt.	6,899		6,899
Ore	Great Britain	710 cwt.	6,640 cwt.	7,350 cwt.	850	7,055	7,905

EXPORTS—continued.

Articles.	Countries to which Exported.	Quantities.			Value.		
		Produce and Manufacture of the Colony.	British, Foreign, and other Colonial Produce and Manufacture.	Total.	Produce and Manufacture of the Colony.	British, Foreign, and other Colonial Produce and Manufacture.	Total.
Copra...	Great Britain	57,223 cwt.	57,223 cwt.	44,001	44,001
	Victoria	1,341 "	1,341 "	1,026	1,026
	Hamburg	8,060 "	8,060 "	6,390	6,390
	66,624 cwt.	66,624 cwt.	51,417	51,417
Cordage and Rope ...	Great Britain	200½ cwt.	200½ cwt.	634	634
	Victoria ...	153 cwt.	22½ "	175½ "	327	79	406
	New Zealand ...	1,200 "	118½ "	1,318½ "	2,860	299	3,159
	Tasmania ...	28 "	14 "	42 "	60	37	97
	South Australia	12½ "	12½ "	25	25
	Queensland ...	222 cwt.	667 "	889 "	492	1,781	2,273
	South Sea Islands...	16 "	59½ "	75½ "	47	112	159
	New Caledonia ...	70 "	121 "	191 "	152	367	519
	Fiji Islands ...	2 "	400 "	402 "	4	990	994
	Honolulu ...	130 "	130 "	318	318
	San Francisco	30 cwt.	30 "	60	60
	Hong Kong	9½ "	9½ "	28	28
	Callao	7½ "	7½ "	20	20
	Manila	7½ "	7½ "	19	19
Java ...	30 cwt.	30 "	28	28	
.....	1,851 cwt.	1,670 cwt.	3,521 cwt.	4,288	4,451	8,739
Corks and Bungs ...	Victoria	20 bales	20 bales	181	181
	New Zealand	3 "	3 "	17	17
	South Australia	1 "	1 "	2	2
	Queensland	53 "	53 "	174	174
	New Caledonia	14 "	14 "	125	125
	Fiji Islands	2 "	2 "	2	2
	South Sea Islands	9 "	9 "	16	16
.....	102 bales	102 bales	517	517	
Cotton (raw) ...	Great Britain	215 bales	215 bales	5,068	5,068
Cutlery ...	Great Britain	2 cases	2 cases	51	51
	Victoria	7 "	7 "	222	222
	Tasmania	5 "	5 "	90	90
	New Zealand	12 "	12 "	290	290
	Queensland	65 "	65 "	1,818	1,818
	South Sea Islands...	9 "	9 "	136	136
	New Caledonia	12 "	12 "	128	128
Fiji Islands	27 "	27 "	284	284	
.....	139 cases	139 cases	3,019	3,019	
Dates ...	Tasmania	2,126 lbs.	2,126 lbs.	34	34
	New Zealand	10,245 "	10,245 "	189	189
	Queensland	11,178 "	11,178 "	205	205
	New Caledonia	297 "	297 "	5	5
	Fiji Islands	112 "	112 "	2	2
.....	23,958 lbs.	23,958 lbs.	435	435	
Doors and Shutters ...	South Australia	21 No.	21 No.	7	7
	Queensland	65 "	65 "	60	60
	South Sea Islands...	10 "	10 "	6	6
	New Caledonia ...	18 No.	18 "	15	15
.....	18 No.	96 No.	114 No.	15	73	88
Drain Pipes ...	South Australia	599 No.	599 No.	304	304
Drapery, General ...	Great Britain	100 pkgs.	100 pkgs.	5,445	5,445
	Victoria ...	1 pkg.	526 "	527 "	14	11,658	11,672
	Tasmania	596 "	596 "	19,904	19,904
	South Australia	40 "	40 "	1,356	1,356
	New Zealand ...	5 pkgs.	797 "	802 "	194	32,303	32,497
	Queensland ...	7 "	6,280 "	6,287 "	172	213,401	213,573
	Western Australia...	13 "	13 "	168	168
	South Sea Islands...	301 "	301 "	6,835	6,835
	New Caledonia	548 "	548 "	17,210	17,210
	Fiji Islands	991 "	991 "	27,323	27,323
	Honolulu	1 "	1 "	48	48
	Hong Kong	1 "	1 "	37	37
	San Francisco	12 "	12 "	1,575	1,575
New Guinea	3 "	3 "	90	90	
.....	13 pkgs.	10,209 pkgs.	10,222 pkgs.	380	337,353	337,733

STATISTICS—1878.

EXPORTS—continued.

Articles.	Countries to which Exported.	Quantities.			Value.		
		Produce and Manufacture of the Colony.	British, Foreign, and other Colonial Produce and Manufacture.	Total.	Produce and Manufacture of the Colony.	British, Foreign, and other Colonial Produce and Manufacture.	Total.
Drugs, Medicines, and Apothecaries' Ware.	Great Britain	24 pkgs.	24 pkgs.	£	£ 396	£ 396
	Victoria ...	115 pkgs.	134 "	249 "	531	1,444	1,975
	South Australia	11 "	11 "	74	74
	Tasmania ...	5 pkgs.	55 "	60 "	40	824	864
	New Zealand ...	84 "	154 "	238 "	429	1,848	2,277
	Queensland ...	65 "	1,580 "	1,645 "	293	12,529	12,822
	South Sea Islands...	2 "	38 "	40 "	10	143	153
	New Caledonia ...	5 "	145 "	150 "	16	414	430
	Fiji Islands ...	5 "	117 "	122 "	8	1,171	1,181
	Honolulu	6 "	6 "	150	150
	San Francisco	51 "	51 "	266	266
New Guinea	1 "	1 "	23	23	
		281 pkgs.	2,316 pkgs.	2,597 pkgs.	1,327	19,284	20,611
Earthenware and China.	Great Britain	39 pkgs.	39 pkgs.	176	176
	Victoria	16 "	16 "	113	113
	Tasmania	23 "	23 "	273	273
	South Australia	4 "	4 "	41	41
	New Zealand	172 "	172 "	2,181	2,181
	Queensland	1,361 "	1,361 "	15,143	15,143
	South Sea Islands...	54 "	54 "	272	272
	New Caledonia	59 "	59 "	480	480
	Fiji Islands	111 "	111 "	877	877
	Honolulu	1 "	1 "	12	12
	Hong Kong	2 "	2 "	140	140
San Francisco	8 "	8 "	122	122	
		1,850 pkgs.	1,850 pkgs.	19,830	19,830
Eggs ...	Victoria ...	87 pkgs.	87 pkgs.	383	383
	New Zealand ...	1 "	1 "	2	2
	Queensland ...	16 "	16 "	78	78
	New Caledonia ...	2 "	2 "	10	10
		106 pkgs.	106 pkgs.	473	473
Exhibits ...	France ...	556 pkgs.	556 pkgs.	7,475	7,475
		
Felt...	New Zealand	10 bales	10 bales	40	40
	South Australia	1 "	1 "	2	2
	Queensland	17 "	17 "	80	80
	Fiji Islands	3 "	3 "	7	7
		31 bales	31 bales	129	129
Fibre ...	Great Britain	100 bls. & pks.	100 bls. & pks.	120	120
	Victoria	500 "	500 "	201	201
	New Zealand	39 "	39 "	15	15
	South Australia	12 "	12 "	38	38
	Queensland	1,302 "	1,302 "	638	638
	South Sea Islands...	3 "	3 "	2	2
		1,956 bls. & pks.	1,956 bls. & pks.	1,014	1,014
Fireclay ...	Victoria ...	9 tons	9 tons	32	32
	Tasmania ...	5 "	5 "	15	15
	Queensland	2 tons	2 "	6	6
		14 tons	2 tons	16 tons	47	6	53
Fireworks ...	Tasmania	6 pkgs.	6 pkgs.	32	32
	New Zealand	1 pkg.	1 pkg.	7	7
	Queensland	82 pkgs.	82 pkgs.	165	165
	Fiji Islands	1 pkg.	1 pkg.	6	6
			90 pkgs.	90 pkgs.	210
Fish (Salt, Dried, and Preserved) ...	Great Britain	3,649 lbs.	3,649 lbs.	138	138
	Victoria ...	11,848 lbs.	85,030 "	96,878 "	199	2,432	2,631
	South Australia	29,306 "	29,306 "	949	949
	Tasmania	13,493 "	13,493 "	429	429
	New Zealand ...	870 lbs.	72,915 "	73,785 "	18	2,503	2,521
	Queensland ...	7,458 "	284,958 "	292,416 "	101	10,111	10,212
	South Sea Islands...	12,444 "	12,444 "	518	518
	New Caledonia	32,022 "	32,022 "	1,133	1,133
	Fiji Islands	28,687 "	28,687 "	1,137	1,137
	San Francisco	6,131 "	6,131 "	259	259
	Hong Kong	12,325 "	12,325 "	247	247
	Singapore	771 "	771 "	29	29
	Carried forward...	20,176 lbs.	581,731 lbs.	601,907 lbs.	318	19,885	20,203

EXPORTS—continued.

Articles.	Countries to which Exported.	Quantities.			Value.		
		Produce and Manufacture of the Colony.	British, Foreign, and other Colonial Produce and Manufacture.	Total.	Produce and Manufacture of the Colony.	British, Foreign, and other Colonial Produce and Manufacture.	Total.
Fish (Salt, Dried, and Preserved)— <i>contd.</i>	Brought forward...	20,176 lbs.	581,731 lbs.	601,907 lbs.	£ 318	£ 19,885	£ 20,203
	Petropaulovski ...	17 "	17 "	17 "	1	1
	China ...	73 lbs.	212 "	285 "	3	5	8
	New Guinea	379 "	379 "	17	17
	Japan	112 "	112 "	2	2
	Java	256 "	256 "	9	9
	Valparaiso...	150 "	150 "	5	5
	Ceylon	48 "	48 "	2	2
		20,249 lbs.	582,905 lbs.	603,154 lbs.	321	19,926	20,247
Fish (Fresh) ...	Victoria	59 pkgs.	59 pkgs.	62	62
Flax and Hemp ...	Queensland	628 bls & pkgs.	628 bls & pkgs.	1,152	1,152
	New Zealand	307 "	307 "	1,008	1,008
		935 bls & pkgs.	935 bls & pkgs.	2,160	2,160
Floor and Oil Cloth...	New Zealand	5 pkgs.	5 pkgs.	61	61
	Tasmania	5 "	5 "	43	43
	Queensland	29 "	29 "	255	255
	South Sea Islands...	1 pkg.	1 pkg.	3	3
	New Caledonia	4 pkgs.	4 pkgs.	25	25
	Fiji Islands	4 "	4 "	31	31
		48 pkgs.	48 pkgs.	418	418
Flour... ..	Great Britain	560 cwt.	560 cwt.	350	350
	Victoria	5,210 cwt.	10 "	5,220 "	2,923	6	2,929
	South Australia	190 "	503 "	693 "	147	357	504
	Queensland	9,425 "	46,724 "	56,149 "	6,374	31,767	38,141
	Tasmania	10 "	10 "	7	7
	South Sea Islands	942 cwt.	543 "	1,485 "	669	307	1,036
	New Caledonia... ..	4,252 "	18,541 "	22,793 "	3,019	12,539	15,558
	Fiji Islands	816 "	2,922 "	3,738 "	518	1,869	2,387
	Java	50 "	50 "	31	31
	New Guinea	18 cwt.	18 "	11	11
	Singapore	204 cwt.	204 "	150	150
		20,853 cwt.	70,067 cwt.	90,920 cwt.	13,661	47,443	61,104
Flour (Corn)... ..	South Australia	160 lbs.	160 lbs.	4	4
	Tasmania	6,600 "	220 lbs.	6,820 "	165	5	170
	New Zealand	9,520 "	936 "	10,456 "	228	23	251
	Queensland	27,882 "	19,400 "	47,282 "	677	478	1,155
	South Sea Islands	170 "	60 "	230 "	4	2	6
	New Caledonia	140 "	192 "	332 "	3	4	7
Fiji Islands	434 "	280 "	714 "	10	7	17	
		44,906 lbs.	21,088 lbs.	65,994 lbs.	1,091	519	1,610
Bottled	Great Britain	64 cases	64 cases	90	90
	Victoria	2 "	2 "	4	4
	New Zealand	9 "	9 "	15	15
	South Australia	5 "	5 "	7	7
	Queensland	396 "	396 "	521	521
	South Sea Islands	25 "	25 "	41	41
	New Caledonia	12 "	12 "	16	16
	Fiji Islands	30 "	30 "	46	46
	Hong Kong	25 "	25 "	29	29
	China	2 "	2 "	4	4
	San Francisco	14 "	14 "	23	23
	Petropaulovski	3 "	3 "	3	3
	Bombay	1 case	1 case	2	2
	Singapore	9 cases	9 cases	12	12
	New Guinea	1 case	1 case	2	2
		598 cases	598 cases	815	815
Fruit	Victoria	83,077 pkgs.	1,491 pkgs.	84,568 pkgs.	30,873	1,010	31,883
	South Australia	138 "	138 "	56	56
	Tasmania	3,583 "	41 pkgs.	3,624 "	1,650	48	1,698
	New Zealand	38,434 "	371 "	38,805 "	16,159	227	16,386
	Queensland	46,999 "	6,885 "	53,884 "	21,382	3,469	24,851
	South Sea Islands	2 "	2 "	3	3
	New Caledonia	600 "	600 "	311	311
	Fiji Islands	276 "	53 pkgs.	329 "	132	30	162
	San Francisco	878 "	878 "	531	531
	Hong Kong	266 "	35 pkgs.	301 "	92	18	110
Singapore	10 "	10 "	6	6	
		174,253 pkgs.	8,886 pkgs.	183,139 pkgs.	71,189	4,808	75,997

STATISTICS—1878.

111

EXPORTS—continued.

Articles.	Countries to which Exported.	Quantities.			Value.		
		Produce and Manufacture of the Colony.	British, Foreign, and other Colonial Produce and Manufacture.	Total.	Produce and Manufacture of the Colony.	British, Foreign, and other Colonial Produce and Manufacture.	Total.
					£	£	£
Fruit <i>contd.</i>	Dried	Great Britain	4,450 lbs.	4,450 lbs.		130	130
		Victoria	20,956 "	20,956 "		455	455
		New Zealand	79,327 "	79,327 "		1,587	1,587
		Tasmania	506 "	506 "		14	14
		South Australia	3,143 "	3,143 "		85	85
		Queensland	361,809 "	361,809 "		7,844	7,844
		South Sea Islands	4,873 "	4,873 "		125	125
		New Caledonia	9,834 "	9,834 "		237	237
		Fiji Islands	10,138 "	10,138 "		259	259
		Singapore	513 "	513 "		16	16
		San Francisco	3,958 "	3,958 "		109	109
		Hong Kong	2,021 "	2,021 "		59	59
		China	178 "	178 "		5	5
		Honolulu	50 "	50 "		1	1
		New Guinea	671 "	671 "		18	18
		Java	408 "	408 "		14	14
		Japan	283 "	283 "		7	7
		Valparaiso	126 "	126 "		4	4
		Manila	85 "	85 "		3	3
Ceylon	65 "	65 "		2	2		
Nagapatam	68 "	68 "		2	2		
		503,462 lbs.	503,462 lbs.		10,976	10,976	
Fungus	Victoria	1 pkg.	1 pkg.		6	6	
	Queensland	2 pkgs.	2 pkgs.		8	8	
	Hong Kong	2,289 "	2,289 "		4,898	4,898	
		2,292 pkgs.	2,292 pkgs.		4,912	4,912	
Furniture	Great Britain	24 pkgs.	24 pkgs.		240	240	
	Victoria	4 pkgs.	150 "	154 "	33	2,181	2,214
	South Australia	47 "	6 "	53 "	150	83	233
	Tasmania	4 "	116 "	120 "	85	1,020	1,105
	New Zealand	11 "	465 "	476 "	66	3,592	3,658
	Queensland	118 "	1,734 "	1,852 "	702	9,756	10,458
	South Sea Islands	35 "	45 "	80 "	163	193	356
	New Caledonia	6 "	53 "	59 "	86	292	378
	Fiji Islands	40 "	171 "	211 "	323	2,322	2,645
	Honolulu		3 "	3 "		15	15
	San Francisco		6 "	6 "		360	360
		265 pkgs.	2,773 pkgs.	3,038 pkgs.	1,608	20,054	21,662
Fuze	New Zealand	13 pkgs.	13 pkgs.		141	141	
	Queensland	54 "	54 "		517	517	
	New Caledonia	10 "	10 "		69	69	
		77 pkgs.	77 pkgs.		727	727	
Glass	Looking	New Zealand	14 pkgs.	14 pkgs.		199	199
		Tasmania	7 "	7 "		123	123
		Queensland	13 "	13 "		86	86
		South Sea Islands	1 "	1 "		7	7
		New Caledonia	1 "	1 "		12	12
	Fiji Islands	2 "	2 "		16	16	
			38 pkgs.	38 pkgs.		443	443
	Window	South Australia	6 pkgs.	6 pkgs.		9	9
		Queensland	115 "	115 "		408	408
		New Caledonia	30 "	30 "		41	41
Fiji Islands		3 "	3 "		5	5	
		154 pkgs.	154 pkgs.		463	463	
Plate	Queensland	24 pkgs.	24 pkgs.		428	428	
Glassware	Great Britain	4 pkgs.	4 pkgs.		86	86	
	Victoria	128 "	128 "		456	456	
	South Australia	22 "	22 "		80	80	
	Tasmania	45 "	45 "		315	315	
	New Zealand	162 "	162 "		1,386	1,386	
	Queensland	4 pkgs.	820 "	824 "	25	5,609	5,634
	South Sea Islands	6 "	6 "		15	15	
	New Caledonia	84 "	84 "		464	464	
	Fiji Islands	60 "	60 "		334	334	
	Honolulu	3 "	3 "		30	30	
		4 pkgs.	1,334 pkgs.	1,338 pkgs.	25	8,775	8,800

EXPORTS—continued.

Articles.	Countries to which Exported.	Quantities.			Value.		
		Produce and Manufacture of the Colony.	British, Foreign, and other Colonial Produce and Manufacture.	Total.	Produce and Manufacture of the Colony.	British, Foreign, and other Colonial Produce and Manufacture.	Total.
Glue...	Great Britain ...	476 pkgs.	47 pkgs.	523 pkgs.	£ 2,165	£ 200	£ 2,365
	Victoria ...	20 "	20 "	188	188
Gold	South Australia ...	15 "	15 "	56	56
	Tasmania ...	1 "	1 "	4	4
	New Zealand ...	29 "	29 "	70	70
	Queensland ...	14 "	5 pkgs.	19 "	37	8	45
			555 pkgs.	52 pkgs.	607 pkgs.	2,520	208
Bars...	Great Britain ...	ozs. d. g. 9,476 2 10	ozs. d. g. 23,853 9 15	ozs. d. g. 33,329 12 1	£ 36,002	£ 91,868	£ 127,870
	Calcutta ...	1,375 4 0	1,375 4 0	5,611	5,611
Dust		10,851 6 10	23,853 9 15	34,704 16 1	41,613	91,868	133,481
	Great Britain ...	2 0 0	2 0 0	8	8
	Victoria ...	564 0 0	564 0 0	2,222	2,222
	Hong Kong ...	586 15 0	200 13 0	787 8 0	2,195	710	2,905
Quartz	San Francisco ...	1 0 0	1 0 0	4	4
		1,153 15 0	200 13 0	1,354 8 0	4,429	710	5,139
Tailings	Great Britain ...	121 pkgs.	121 pkgs.	1,220	1,220
	Victoria ...	1 "	1 "	30	30
Barley		122 pkgs.	122 pkgs.	1,250	1,250
	Great Britain ...	158 pkgs.	158 pkgs.	80	80
	Victoria ...	2,720 bushels	39,057 bushels	41,777 bushels	539	8,521	9,060
	New Zealand	90 "	90 "	20	20
	Queensland ...	2,457 bushels	1,466 "	3,923 "	517	295	812
	South Australia ...	400 "	400 "	68	68
	Tasmania ...	542 "	542 "	120	120
	New Caledonia ...	92 "	92 "	20	20
	Fiji Islands ...	4 "	4 "	1	1
		6,215 bushels	40,613 bushels	46,828 bushels	1,265	8,836	10,101
Bran and Pollard	Victoria ...	8,517 bushels	9 bushels	8,526 bushels	453	1	454
	South Australia ...	2,853 "	2,853 "	216	216
	Queensland ...	34,333 "	27,975 bushels	62,308 "	2,279	1,856	4,135
	South Sea Islands ...	780 "	780 "	51	51
	Fiji Islands ...	456 "	456 "	31	31
	New Caledonia ...	6,258 "	4,255 bushels	10,513 "	412	284	696
	Mauritius ...	2,500 "	2,500 "	125	125
	Java ...	200 "	200 "	14	14
		55,897 bushels	32,239 bushels	88,136 bushels	3,581	2,141	5,722
	Maize	Victoria ...	634,235 bushels	634,235 bushels	125,027
South Australia ...		6,910 "	6,910 "	1,275	1,275
Tasmania ...		2,061 "	2,061 "	402	402
New Zealand ...		29,950 "	29,950 "	5,294	5,294
Queensland ...		48,823 "	48,823 "	10,838	10,838
New Caledonia ...		236 "	236 "	47	47
Fiji Islands ...		197 "	197 "	50	50
Java ...		220 "	220 "	35	35
		722,632 bushels	722,632 bushels	142,968	142,968
Oats...		Victoria ...	2,365 bushels	16,690 bushels	19,055 bushels	307	3,515
	South Australia ...	1,688 "	1,688 "	398	398
	Queensland ...	10,464 "	11,926 bushels	22,390 "	2,147	2,444	4,591
	New Caledonia ...	28 "	28 "	7	7
	Fiji Islands ...	10 "	10 "	2	2
	Hong Kong ...	333 "	333 "	80	80
	14,888 bushels	28,616 bushels	43,504 bushels	2,941	5,959	8,900	
Pease (dried and split) ...	Victoria	121 kgs. & pkgs.	121 kgs. & pkgs.	53	53
	South Australia	25 "	25 "	52	52
	New Zealand	5 "	5 "	5	5
	Queensland	305 "	305 "	581	581
	South Sea Islands	12 "	12 "	31	31
	New Caledonia	133 "	133 "	157	157
	Fiji Islands	8 "	8 "	15	15
	609 kgs. & pkgs.	609 kgs. & pkgs.	894	894	

STATISTICS—1878.

113

EXPORTS—continued.

Articles.	Countries. to which Exported.	Quantities.			Value.		
		Produce and Manufacture of the Colony.	British, Foreign and other Colonial Produce and Manufacture.	Total.	Produce and Manufacture of the Colony.	British, Foreign, and other Colonial Produce and Manufacture.	Total.
Grain and Pulse— contd.	Pearl barley	South Australia ...	1 keg	1 keg	£	1	1
		New Zealand ...	1 "	1 "	£	2	2
		Queensland ...	112 "	112 "	£	133	133
		New Caledonia ...	1 "	1 "	£	2	2
		Fiji Islands ...	2 "	2 "	£	3	3
			117 kegs	117 kegs	£	141	141
	Wheat	Great Britain ...	42,284 bushels	42,284 bushels	£	10,873	10,873
		Victoria ...	21,541 bushels	21,541 "	£	4,941	4,941
		Queensland ...	64 "	1,916 bushels	£	18	507
		New Zealand ...	37 "	37 "	£	9	9
South Australia ...		4 bushels	4 "	£	1	1	
New Caledonia ...	220 "	220 "	£	65	65		
		21,829 bushels	44,237 bushels	£	5,025	11,389	
Grindery	Great Britain ...	1 pkgs.	1 pkgs.	£	30	30	
	Tasmania ...	4 "	4 "	£	31	31	
	Queensland ...	223 "	254 "	£	523	1,988	
	New Zealand ...	2 "	7 "	£	8	60	
	New Caledonia ...	1 "	8 "	£	2	24	
Fiji Islands ...	1 "	1 "	£	20	20		
		34 pkgs.	242 pkgs.	£	533	2,153	
Gum ...	Great Britain ...	12 pkgs.	12 pkgs.	£	30	30	
	New Caledonia ...	1 "	1 "	£	5	5	
			13 pkgs.	13 pkgs.	£	35	35
Guano	Queensland ...	1,133 cwt.	1,133 cwt.	£	738	738	
	New Zealand ...	100 "	100 "	£	66	66	
	South Australia ...	5 "	5 "	£	4	4	
	Mauritius ...	4 "	4 "	£	3	3	
			1,242 cwt.	1,242 cwt.	£	811	811
Hardware	Great Britain ...	42 pkgs.	42 pkgs.	£	391	391	
	Victoria ...	241 "	241 "	£	1,857	1,857	
	South Australia ...	86 "	86 "	£	492	492	
	Tasmania ...	56 "	56 "	£	1,010	1,010	
	New Zealand ...	52 pkgs.	625 "	£	27	6,812	
	Queensland ...	434 "	7,953 "	£	808	36,877	
	South Sea Islands...	9 "	451 "	£	24	2,768	
	New Caledonia ...	9 "	1,121 "	£	42	4,958	
	Fiji Islands ...	56 "	3,920 "	£	78	9,236	
	Honolulu ...	19 "	19 "	£	188	188	
	San Francisco ...	2 "	2 "	£	65	65	
	Java ...	22 "	22 "	£	27	27	
	New Guinea ...	4 "	4 "	£	42	42	
		560 pkgs.	14,542 pkgs.	£	979	64,723	
Hay	Victoria ...	1,128 cwt.	40 cwt.	£	288	306	
	Tasmania ...	125 "	125 "	£	26	26	
	South Australia ...	251 "	90 "	£	95	140	
	New Zealand ...	3,066 "	3,066 "	£	493	493	
	Queensland ...	23,338 "	4,445 "	£	5,551	1,133	
	New Caledonia ...	2,666 "	540 "	£	539	118	
	South Sea Islands...	690 "	690 "	£	132	132	
	Fiji Islands ...	101 "	101 "	£	25	25	
	Japan ...	2,400 "	2,400 "	£	360	360	
	Java ...	1,060 "	1,060 "	£	212	212	
Hong Kong ...	15 "	15 "	£	4	4		
		34,840 cwt.	5,115 cwt.	£	7,725	1,314	
Hair (Horse & Cow).	Great Britain ...	26,524 lbs.	26,524 lbs.	£	1,325	1,325	
	Victoria ...	24,201 "	34 lbs.	£	1,160	4	
	Tasmania ...	280 "	280 "	£	20	20	
	New Zealand ...	420 lbs.	420 "	£	25	25	
	Queensland ...	624 lbs.	440 "	£	20	24	
New Caledonia ...	100 "	100 "	£	8	8		
		51,629 lbs.	994 lbs.	£	2,525	61	
Honey	Victoria ...	32 lbs.	32 lbs.	£	1	1	
	Queensland ...	5,732 "	1,852 lbs.	£	161	55	
	South Sea Islands...	40 "	40 "	£	1	1	
	Fiji Islands ...	152 "	152 "	£	3	3	
		5,956 lbs.	1,852 lbs.	£	166	55	
				£		221	

EXPORTS—continued.

Articles.	Countries to which Exported.	Quantities.			Value.			
		Produce and Manufacture of the Colony.	British, Foreign, and other Colonial Produce and Manufacture.	Total.	Produce and Manufacture of the Colony.	British, Foreign, and other Colonial Produce and Manufacture.	Total.	
					£	£	£	
Hoofs and Bones ...	Great Britain ...	7,907 cwt.	7,907 cwt.	3,087	3,087	
	Victoria ...	125 "	125 "	33	33	
		8,032 cwt.	8,032 cwt.	3,120	3,120	
Hops ...	Victoria	72,303 lbs.}	72,303 lbs.	3,220	3,220	
	Tasmania	28 "	28 "	1	1	
	South Australia	8,226 "	8,226 "	356	356	
	Queensland	44,844 "	44,844 "	2,309	2,309	
	South Sea Islands	506 "	506 "	30	30	
	New Caledonia	883 "	883 "	60	60	
	Fiji Islands	216 "	216 "	10	10	
		127,006 lbs.	127,006 lbs.	5,986	5,986	
Horns ...	Great Britain ...	350,177 No.	350,177 No.	5,813	5,813	
	Victoria ...	4,646 "	4,646 "	56	56	
		354,823 No.	354,823 No.	5,869	5,869	
Houses (Wooden) ...	South Sea Islands ...	1 No.	1 No.	100	100	
	New Caledonia ...	1 "	1 "	207	207	
		2 No.	2 No.	307	307	
India-rubber Goods...	Great Britain	2 pkgs.	2 pkgs.	60	60	
	Victoria	2 "	2 "	34	34	
	Queensland	15 "	15 "	484	484	
			19 pkgs.	19 pkgs.	578	578
Instruments.	Musical ...	Great Britain	24 cases	24 cases	903	903
		Victoria	195 "	195 "	6,503	6,503
		Tasmania	19 "	19 "	557	557
		New Zealand	143 "	143 "	4,498	4,498
		Queensland	199 "	199 "	7,294	7,294
		South Sea Islands	4 "	4 "	108	108
	New Caledonia	3 "	3 "	62	62	
	Fiji Islands	16 "	16 "	547	547	
			603 cases	603 cases	20,472	20,472
	Scientific ...	Great Britain	4 cases	4 cases	94	94
		Victoria	5 "	5 "	99	99
		South Australia	1 "	1 "	3	3
		Tasmania	3 "	3 "	27	27
New Zealand	4 "	4 "	44	44	
Queensland	53 "	53 "	1,203	1,203	
South Sea Islands	2 "	2 "	30	30	
New Caledonia	2 "	2 "	17	17		
Fiji Islands	7 "	7 "	124	124		
Western Australia	3 "	3 "	34	34		
Honolulu	2 "	2 "	82	82		
		86 cases	86 cases	1,757	1,757	
Iron.	Galvanized ...	Victoria	100½ cwt.	100½ cwt.	151	151
		South Australia	289 "	289 "	407	407
		New Zealand	785 "	785 "	1,074	1,074
		Queensland	6,115½ "	6,115½ "	8,657	8,657
		New Caledonia	2,716½ "	2,716½ "	3,816	3,816
		South Sea Islands	290½ "	290½ "	421	421
		Fiji Islands	995½ "	995½ "	1,365	1,365
		Honolulu	40½ "	40½ "	58	58
		11,332 cwt.	11,332 cwt.	15,949	15,949	
Galvanized manufactures ...	Victoria	93½ cwt.	93½ cwt.	101	101	
	New Zealand	3 "	3 "	7	7	
	Queensland	115½ "	115½ "	238	238	
	New Caledonia	5½ "	5½ "	8	8	
	South Sea Islands	162 "	162 "	274	274	
Fiji Islands	35½ "	35½ "	72	72		
		415 cwt.	415 cwt.	700	700	
Old ...	Queensland	1,000 cwt.	1,000 cwt.	150	150	
	Hong Kong	510 "	510 "	137	137	
		1,510 cwt.	1,510 cwt.	287	287	

STATISTICS—1878.

115

EXPORTS—continued.

Articles.	Countries to which Exported.	Quantities.			Value.		
		Produce and Manufacture of the Colony.	British, Foreign, and other Colonial Produce and Manufacture.	Total.	Produce and Manufacture of the Colony.	British, Foreign, and other Colonial Produce and Manufacture.	Total.
Iron—contd.	Pipes ...	New Zealand ...	1,315 No.	1,315 No.	£ 928	£ 928	
		Tasmania ...	6 "	6 "	10	10	
		Queensland ...	854 "	854 "	425	425	
		New Caledonia ...	57 "	57 "	36	36	
		Fiji Islands ...	17 "	17 "	24	24	
			2,249 No.	2,249 No.	£ 1,423	£ 1,423	
	Tanks ...	New Zealand ...	16 No.	16 No.	54	54	
		Queensland ...	54 "	54 "	197	197	
		Victoria ...	377 "	377 "	1,355	1,355	
		Fiji Islands ...	6 "	6 "	24	24	
South Sea Islands...		6 "	6 "	22	22		
New Caledonia ...		26 "	26 "	100	100		
Hong Kong ...		50 "	50 "	175	175		
Java ...		19 "	19 "	76	76		
		554 No.	554 No.	£ 2,003	£ 2,003		
Wire, Black ...	Victoria ...	88 cwt.	88 cwt.	90	90		
	Tasmania ...	3 "	3 "	3	3		
	New Zealand ...	1,228 "	1,228 "	1,015	1,015		
	Queensland ...	8,299 "	8,299 "	6,563	6,563		
	New Caledonia ...	162 "	162 "	139	139		
	Fiji Islands ...	40 "	40 "	34	34		
	Honolulu ...	328 "	328 "	283	283		
		10,148 cwt.	10,148 cwt.	£ 8,127	£ 8,127		
Wire, Galvanized ...	Victoria ...	320 cwt.	320 cwt.	468	468		
	South Australia ...	608 "	608 "	911	911		
	New Zealand ...	10 "	10 "	14	14		
	Queensland ...	444 "	444 "	657	657		
	Fiji Islands ...	41 "	41 "	61	61		
	New Caledonia ...	67 "	67 "	94	94		
		30 "	30 "	42	42		
		1,520 cwt.	1,520 cwt.	£ 2,247	£ 2,247		
Iron and Steel...	New Zealand ...	1,952 cwt.	1,952 cwt.	1,520	1,520		
	Victoria ...	3,332 "	3,332 "	931	931		
	South Australia ...	28 "	28 "	28	28		
	Tasmania ...	15 "	15 "	11	11		
	Queensland ...	427 cwt. 14,018 "	14,445 "	258 7,843	8,101		
	South Sea Islands...	1,019 "	1,019 "	316	316		
	New Caledonia ...	1,442 "	1,442 "	1,081	1,081		
	Fiji Islands ...	244 "	244 "	225	225		
	Singapore ...	148 "	148 "	150	150		
	New Guinea ...	20 "	20 "	11	11		
		427 cwt.	22,218 cwt.	22,645 cwt.	258	12,116	
Ivory Nuts ...	Great Britain ...	231 cwt.	231 cwt.	82	82		
Jewellery ...	Great Britain ...	8 pkgs.	8 pkgs.	757	757		
	Victoria ...	63 "	63 "	20,674	20,674		
	South Australia ...	4 "	4 "	1,490	1,490		
	Tasmania ...	13 "	13 "	1,869	1,869		
	New Zealand ...	22 "	22 "	2,300	2,300		
	Queensland ...	116 "	116 "	7,675	7,675		
	Fiji Islands ...	3 "	3 "	215	215		
	San Francisco ...	1 "	1 "	75	75		
		230 pkgs.	230 pkgs.	35,055	35,055		
Jams and Jellies ...	Great Britain ...	3,456 lbs.	3,456 lbs.	129	129		
	Victoria ...	352 lbs. 3,328 "	3,680 "	111	122		
	South Australia ...	5,580 "	5,580 "	146	146		
	Tasmania ...	132 "	132 "	5	5		
	New Zealand ...	384 lbs. 4,140 "	4,524 "	9	115		
	Queensland ...	380 " 174,191 "	174,571 "	11	5,480		
	New Caledonia ...	10,744 "	10,744 "	347	347		
	South Sea Islands...	3,516 "	3,516 "	114	114		
	Fiji Islands ...	14,478 "	14,478 "	465	465		
	San Francisco ...	2,832 "	2,832 "	98	98		
	Hong Kong ...	2,988 "	2,988 "	99	99		
	Singapore ...	344 "	344 "	11	11		
	China ...	120 "	120 "	4	4		
	New Guinea ...	252 "	252 "	9	9		
	Ceylon ...	120 "	120 "	4	4		
Java ...	384 "	384 "	14	14			
Mauritius ...	1,200 "	1,200 "	35	35			
	1,116 lbs.	227,805 lbs.	228,921 lbs.	31	7,186		
					7,217		

EXPORTS—continued.

Articles.	Countries to which Exported.	Quantities.			Value.			
		Produce and Manufacture of the Colony.	British, Foreign, and other Colonial Produce and Manufacture.	Total.	Produce and Manufacture of the Colony.	British, Foreign, and other Colonial Produce and Manufacture.	Total.	
					£	£	£	
Lampware ...	Great Britain	3 pkgs.	3 pkgs.	19	19	
	Victoria	4 "	4 "	33	33	
	Tasmania	7 "	7 "	20	20	
	New Zealand	30 "	30 "	232	232	
	Queensland	107 "	107 "	900	900	
	South Sea Islands...	7 "	7 "	33	33	
	New Caledonia	4 "	4 "	24	24	
	Fiji Islands	44 "	44 "	260	260	
	Honolulu	1 "	1 "	3	3	
	207 pkgs.	207 pkgs.	1,524	1,524	
Lard ...	Great Britain ...	129 cwt.	129 cwt.	357	357	
	Queensland ...	5½ "	5½ "	16	16	
	Fiji Islands ...	8½ "	8½ "	26	26	
	New Caledonia ...	251 "	251 "	807	807	
	Mauritius ...	9 "	9 "	15	15	
	403 cwt.	403 cwt.	1,221	1,221	
Lead ...	Victoria	5 cwt.	5 cwt.	7	7	
	South Australia	17 "	17 "	26	26	
	New Zealand	230 "	230 "	315	315	
	Queensland	292 "	292 "	323	323	
	Fiji Islands	42 "	42 "	53	53	
	New Caledonia	68 "	68 "	82	82	
	Hong Kong	963 "	963 "	897	897	
	1,617 cwt.	1,617 cwt.	1,703	1,703	
Leather. { Unmanufactured	Great Britain ...	3,410 pkgs.	1 pkg.	3,411 pkgs.	74,067	50	74,117	
	Victoria ...	116 "	11 pkgs.	127 "	2,276	275	2,551	
	South Australia ...	37 "	3 "	40 "	697	19	716	
	Tasmania ...	23 "	4 "	27 "	581	110	691	
	New Zealand ...	140 "	31 "	171 "	2,563	1,010	3,573	
	Queensland ...	208 "	71 "	279 "	4,292	3,461	7,753	
	South Sea Islands...	1 "	1 "	7	7	
	New Caledonia ...	125 "	4 pkgs.	129 "	2,776	28	2,804	
	Mauritius ...	73 "	73 "	1,643	1,643	
	Java ...	20 "	20 "	625	625	
	Bombay ...	1 "	1 "	15	15	
	Hong Kong ...	11 "	11 "	400	400	
	Fiji Islands ...	21 "	21 "	191	191	
		4,186 pkgs.	125 pkgs.	4,311 pkgs.	90,133	4,953	95,086
	Boots and Shoes	Great Britain	94 pkgs.	94 pkgs.	1,244	1,244
Victoria ...		75 pkgs.	937 "	1,012 "	1,505	11,964	13,469	
South Australia ...		6 "	14 "	20 "	131	426	557	
Tasmania ...		53 "	97 "	150 "	1,560	1,305	2,865	
New Zealand ...		561 "	116 "	172 "	1,860	1,339	3,199	
Queensland ...		1,604 "	1,893 "	3,497 "	40,663	26,307	66,970	
South Sea Islands...		4 "	13 "	17 "	40	141	181	
New Caledonia ...		61 "	19 "	80 "	744	304	1,048	
Fiji Islands ...		15 "	89 "	104 "	256	1,146	1,402	
Calcutta ...		1 "	1 "	4	4	
San Francisco	1 pkg.	1 "	16	16		
	1,875 pkgs.	3,273 pkgs.	5,148 pkgs.	46,763	44,192	90,955	
Lime-juice ...	Victoria	1,519 galls.	1,519 galls.	185	185	
	South Australia	44 "	44 "	8	8	
	New Zealand	134 "	134 "	21	21	
	Queensland	4,126 "	4,126 "	605	605	
	New Caledonia	180 "	180 "	22	22	
	6,003 galls.	6,003 galls.	841	841	
Live Stock. { Cattle	Victoria ...	28,433 No.	3,871 No.	32,304 No.	198,900	26,452	225,352	
	Tasmania ...	1,010 "	1,010 "	7,852	7,852	
	South Australia ...	20,564 "	20,564 "	104,462	164,462	
	New Zealand ...	32 "	32 "	404	404	
	Queensland ...	616 "	616 "	19,234	19,234	
	South Sea Islands...	61 "	61 "	515	515	
	New Caledonia ...	331 "	331 "	3,094	3,094	
	Hong Kong ...	1 "	1 "	8	8	
	Java ...	107 "	107 "	751	751	
		51,155 No.	3,871 No.	55,026 No.	395,220	26,452	421,672

STATISTICS—1878.

117

EXPORTS—continued.

Articles.	Countries to which Exported.	Quantities.			Value.		
		Produce and Manufacture of the Colony.	British, Foreign, and other Colonial Produce and Manufacture.	Total.	Produce and Manufacture of the Colony.	British, Foreign, and other Colonial Produce and Manufacture.	Total.
					£	£	£
Horses ...	Victoria ...	2,030 No.	42 No.	2,072 No.	35,159	420	35,579
	South Australia ...	515 "	515 "	6,605	6,605
	Tasmania ...	9 "	9 "	297	297
	New Zealand ...	8 "	8 "	286	286
	Queensland ...	913 "	913 "	21,032	21,032
	South Sea Islands...	15 "	15 "	215	215
	New Caledonia ...	11 "	11 "	349	349
	Fiji Islands ...	6 "	6 "	160	160
	Hong Kong ...	1 "	1 "	50	50
	Bombay ...	1 "	1 "	8	8
Java ...	166 "	166 "	2,050	2,050	
Honolulu ...	4 "	4 "	230	230	
		3,679 No.	42 No.	3,721 No.	66,441	420	66,861
Dogs ...	Great Britain ...	1 No.	1 No.	40	40
	Queensland ...	4 "	1 No.	5 "	35	5	40
	South Sea Islands...	3 "	3 "	3	3
	New Caledonia ...	2 "	2 "	6	6
	Java ...	12 "	12 "	12	12
		22 No.	1 No.	23 No.	96	5	101
Sheep ...	Victoria ...	486,904 No.	486,904 No.	241,637	241,637
	South Australia ...	86,155 "	86,155 "	26,988	26,988
	Tasmania ...	550 "	550 "	270	270
	Queensland ...	12 "	12 "	299	299
	South Sea Islands...	335 "	335 "	197	197
	New Caledonia ...	2,794 "	2,794 "	1,789	1,789
	Fiji Islands ...	161 "	161 "	116	116
	Japan ...	1,526 "	30 No.	1,556 "	750	250	1,000
	Java ...	20 "	20 "	14	14
		578,457 No.	30 No.	578,487 No.	272,060	250	272,310
Pigs ...	Victoria ...	340 No.	340 No.	424	424
	South Australia ...	60 "	60 "	92	92
	New Zealand ...	2 "	2 "	3	3
	Queensland ...	436 "	436 "	645	645
	Tasmania ...	1 "	1 "	25	25
	New Caledonia ...	4 "	4 "	12	12
	Hong Kong ...	54 "	54 "	54	54
	Java ...	6 "	6 "	3	3
		903 No.	903 No.	1,258	1,258
Poultry	Victoria ...	1 coop	1 coop	3	3
	South Australia ...	2 coops	2 coops	8	8
	Tasmania ...	9 "	9 "	22	22
	Queensland ...	22 "	22 "	87	87
	Fiji Islands ...	3 "	3 "	13	13
	New Caledonia ...	2 "	2 "	6	6
	Java ...	3 "	3 "	12	12
		42 coops	42 coops	151	151
Birds ...	Great Britain ...	1 pkgs.	1 pkgs.	2	2
	Queensland ...	5 "	5 "	10	10
	Victoria ...	1 "	1 "	4	4
		7 pkgs.	7 pkgs.	16	16
Machinery	Great Britain	2 pkgs.	2 pkgs.	41	41
	Victoria ...	24 pkgs.	144 "	168 "	715	2,819	3,534
	South Australia	19 "	19 "	65	65
	Tasmania ...	1 pkgs.	20 "	21 "	2	404	406
	New Zealand ...	7 "	126 "	133 "	126	1,843	1,969
	Queensland ...	203 "	800 "	1,003 "	3,541	15,328	18,869
	South Sea Islands...	1 "	1 "	35	35
	New Caledonia ...	63 "	62 pkgs.	125 "	499	375	874
Fiji Islands ...	126 "	93 "	219 "	495	1,348	1,843	
		425 pkgs.	1,266 pkgs.	1,691 pkgs.	5,413	22,223	27,636

Live Stock—contd.

EXPORTS—continued.

Articles:	Countries to which Exported.	Quantities.			Value.		
		Produce and Manufacture of the Colony.	British, Foreign, and other Colonial Produce and Manufacture.	Total.	Produce and Manufacture of the Colony.	British, Foreign, and other Colonial Produce and Manufacture.	Total.
Machines.	Sewing...	Great Britain	9 pkgs.	9 pkgs.	£	£ 162	£ 162
		Victoria ...	226 "	226 "	2,922	2,922
		South Australia ...	7 "	7 "	122	122
		Tasmania ...	9 "	9 "	154	154
		New Zealand ...	224 "	224 "	2,383	2,383
		Queensland ...	222 "	222 "	1,930	1,930
		South Sea Islands...	1 pkg.	1 pkg.	7	7
		New Caledonia ...	6 pkgs.	6 pkgs.	42	42
		Fiji Islands ...	20 "	20 "	141	141
		Madras ...	1 "	1 pkg.	7	7
Hong Kong ...	1 pkg.	1 "	13	13		
			726 pkgs.	726 pkgs.	7,883	7,883
Weighing	Tasmania ...	1 pkg.	1 pkg.	12	12	
	New Zealand ...	2 pkgs.	2 pkgs.	13	13	
	Queensland ...	13 "	13 "	110	110	
	Fiji Islands ...	1 pkg.	1 pkg.	5	5	
			17 pkgs.	17 pkgs.	140	140
Malt ...	Victoria ...	2,172 bshls.	2,172 bshls.	924	924	
	Queensland ...	3,282 "	3,282 "	1,452	1,452	
	New Caledonia ...	8 "	8 "	4	4	
			5,462 bshls.	5,462 bshls.	2,380	2,380
Manganese ...	Great Britain ...	540 tons	540 tons	2,369	2,369	
	Victoria ...	2 "	2 "	8	8	
			542 tons	542 tons	2,377	2,377
Marble ...	Victoria ...	1 pkg.	1 pkg.	30	30	
	New Zealand ...	2 pkgs.	3 pkgs.	25	45	
	Queensland ...	8 "	8 pkgs.	76	130	
	Fiji Islands ...	1 pkg.	1 pkg.	19	19	
	New Caledonia ...	1 "	1 "	20	20	
			10 pkgs.	12 pkgs.	101	219
					219	320
Matches ...	Great Britain ...	59 pkgs.	59 pkgs.	433	433	
	Victoria ...	138 "	138 "	646	646	
	South Australia ...	7 "	7 "	49	49	
	Tasmania ...	4 "	4 "	16	16	
	New Zealand ...	659 "	659 "	3,258	3,258	
	Queensland ...	1,143 "	1,143 "	6,312	6,312	
	South Sea Islands...	21 "	21 "	67	67	
	New Caledonia ...	219 "	219 "	1,112	1,112	
	Fiji Islands ...	64 "	64 "	401	401	
			2,314 pkgs.	2,314 pkgs.	12,294	12,294
Mats and Matting ...	Victoria ...	139 pkgs.	139 pkgs.	251	251	
	South Australia ...	2 "	2 "	11	11	
	Tasmania ...	2 pkgs.	11 "	6	21	
	New Zealand ...	3 "	1,040 "	10	1,471	
	Queensland ...	11 "	634 "	28	999	
	South Sea Islands...	35 "	35 "	100	100	
	New Caledonia ...	14 "	14 "	33	33	
	Fiji Islands ...	4 pkgs.	22 "	8	34	
	Honolulu ...	3 "	3 "	14	14	
				20 pkgs.	1,894 pkgs.	52
Manure ...	New Zealand ...	640 cwt.	640 cwt.	210	210	
	Queensland ...	340 "	700 "	101	206	
	Mauritius ...	3,850 "	3,850 "	1,280	1,280	
			4,830 cwt.	360 cwt.	1,591	1,696
Metal (old) ...	Hong Kong	3,429 cwt.	3,429 cwt.	6,100	6,100
Military and Naval Stores ...	New Zealand	230 pkgs.	230 pkgs.	1,266	1,266
	Tasmania	35 "	35 "	55	55
			265 pkgs.	265 pkgs.	1,321	1,321
*Minerals ...	Great Britain ...	1,487 cwt.	1,487 cwt.	1,052	1,052	
	Victoria ...	60 "	60 "	30	30	
				1,547 cwt.	1,547 cwt.	1,082
Mohair ...	Great Britain ...	360 lbs.	360 lbs.	40	40	

* Not classified.

STATISTICS—1878.

119

EXPORTS—continued.

Articles.	Countries to which Exported.	Quantities.			Value.		
		Produce and Manufacture of the Colony.	British, Foreign, and other Colonial Produce and Manufacture.	Total.	Produce and Manufacture of the Colony.	British, Foreign, and other Colonial Produce and Manufacture.	Total.
Molasses and Treacle	Great Britain ...	3,160 cwt.	5½ cwt.	3,165½ cwt.	£ 2,140	£ 4	£ 2,144
	Victoria ...	8,806½ "	47½ "	8,853½ "	5,440	36	5,476
	South Australia ...	1,052 "	118½ "	1,170½ "	806	100	906
	Tasmania ...	21½ "	21½ "	16	16
	New Zealand ...	1,696½ "	29 cwt.	1,725½ "	1,281	25	1,306
	Queensland ...	1,141½ "	32 "	1,173½ "	899	30	929
	South Sea Islands...	4½ "	4½ "	3	3
	New Caledonia ...	9¾ cwt.	9¾ "	7	7
	Callao ...	26 "	26 "	16	16
	New Guinea ...	8 "	8 "	6	6
Fiji Islands ...	5½ "	5½ "	6	6	
		15,927 cwt.	236 cwt.	16,163 cwt.	10,617	198	10,815
Mustard	Great Britain	168 lbs.	168 lbs.	6	6
	Victoria	6,300 "	6,300 "	311	311
	South Australia	144 "	144 "	7	7
	Tasmania	36 "	36 "	1	1
	New Zealand	704 "	704 "	24	24
	Queensland	14,194 "	14,194 "	612	612
	South Sea Islands...	36 "	36 "	2	2
	New Caledonia	2,472 "	2,472 "	100	100
	Fiji Islands	1,020 "	1,020 "	45	45
	San Francisco	48 "	48 "	2	2
Java	48 "	48 "	2	2	
		25,170 lbs.	25,170 lbs.	1,112	1,112
Nails	Victoria	916½ cwt.	916½ cwt.	1,206	1,206
	South Australia	23 "	23 "	24	24
	Tasmania	61 "	61 "	77	77
	New Zealand	392 "	392 "	456	456
	Queensland	1,681½ "	1,681½ "	1,899	1,899
	South Sea Islands...	40 "	40 "	43	43
	New Caledonia	396 "	396 "	431	431
	Fiji Islands	316 "	316 "	395	395
	Hong Kong	38 "	38 "	66	66
	Java	30 "	30 "	30	30
		3,894 cwt.	3,894 cwt.	4,627	4,627
Naphtha and Gasoline	Victoria ...	3,374 galls.	3,374 galls.	291	291
	Queensland ...	228 "	228 "	34	34
		3,602 galls.	3,602 galls.	325	325
Nickel Ore	Great Britain	2,300 cwt.	2,300 cwt.	3,482	3,482
	Victoria	5,662 "	5,662 "	10,643	10,643
	France	2 "	2 "	3	3
		7,964 cwt.	7,964 cwt.	14,128	14,128
Nuts	Great Britain	575 lbs.	575 lbs.	21	21
	Victoria	47,251 "	47,251 "	1,087	1,087
	South Australia	471 "	471 "	11	11
	New Zealand	22,309 "	22,309 "	445	445
	Queensland	27,853 "	27,853 "	749	749
	New Caledonia	7,259 "	7,259 "	178	178
	Fiji Islands	444 "	444 "	14	14
	San Francisco	329 "	329 "	11	11
		106,491 lbs.	106,491 lbs.	2,516	2,516
Nuts (Candle)	Great Britain	17 cwt.	17 cwt.	12	12
Oakum	New Zealand	20 bales	20 bales	17	17
	Queensland	82 "	82 "	79	79
	New Caledonia	40 "	40 "	38	38
	Fiji Islands	15 "	15 "	16	16
	Java	20 "	20 "	18	18
		177 bales	177 bales	168	168
Oars	South Australia	6 No.	6 No.	3	3
	Tasmania	102 "	102 "	38	38
	New Zealand	219 "	219 "	113	113
	Queensland	4 No.	715 "	1	348
	South Sea Islands...	250 "	250 "	111	111
	New Caledonia	150 "	150 "	80	80
	Fiji Islands	72 No.	685 "	25	257
		76 No.	2,051 No.	2,127 No.	26	924	950

EXPORTS—continued.

Articles.	Countries to which Exported.	Quantities.			Value.		
		Produce and Manufacture of the Colony.	British, Foreign, and other Colonial Produce and Manufacture.	Total.	Produce and Manufacture of the Colony.	British, Foreign, and other Colonial Produce and Manufacture.	Total.
Oatmeal ...	Tasmania ...		2 cwt.	2 cwt.	£	2	2
	New Zealand ...		5 "	5 "		10	10
	Queensland ...		1,619 "	1,619 "		2,083	2,083
	South Australia ...		8 "	8 "		12	12
	Fiji Islands ...		3 "	3 "		6	6
	South Sea Islands...		12 "	12 "		15	15
	New Caledonia ...		7 "	7 "		10	10
			1,656 cwt.	1,656 cwt.		2,138	2,138
Black ...	Victoria ...		5 tons	5 tons		173	173
	Queensland ...		2 "	2 "		63	63
	Tasmania ...		1 "	1 "		30	30
				8 tons	8 tons		266
Castor ...	Great Britain ...		140 galls.	140 galls.		39	39
	Victoria ...		117½ "	117½ "		27	27
	South Australia ...		17½ "	17½ "		4	4
	Tasmania ...		122½ "	122½ "		25	25
	New Zealand ...		2,519½ "	2,519½ "		508	508
	Queensland ...		4,521½ "	4,521½ "		1,096	1,096
	South Sea Islands...		1,139½ "	1,139½ "		264	264
	New Caledonia ...		1,000½ "	1,000½ "		207	207
	Fiji Islands ...		411½ "	411½ "		92	92
	San Francisco ...		2,550 "	2,550 "		529	529
	Java ...		122½ "	122½ "		31	31
Hong Kong ...		741½ "	741½ "		148	148	
			13,404 galls.	13,404 galls.		2,970	2,970
Cocoa-nut ...	Great Britain ...		27 tons	27 tons		806	806
	Victoria ...		16 "	16 "		485	485
	New Zealand ...		8 "	8 "		257	257
	Queensland ...		½ "	½ "		15	15
			51½ tons	51½ tons		1,563	1,563
Salad ...	New Zealand ...		95½ galls.	95½ galls.		53	53
	Queensland ...		758½ "	758½ "		398	398
	South Sea Islands...		36½ "	30½ "		22	22
	New Caledonia ...		131 "	131 "		61	61
	San Francisco ...		60 "	60 "		34	34
	Fiji Islands ...		55 "	55 "		35	35
	Java ...		6 "	6 "		3	3
	Singapore ...		4 "	4 "		2	2
			1,147 galls.	1,147 galls.		608	608
Oil ...	Great Britain ...		384 galls.	384 galls.		39	39
	Victoria ...		312 "	312 "		32	32
	South Australia ...	48 galls.	1,136 "	1,184 "	4	85	89
	Tasmania ...	32 "	264 "	296 "	3	28	31
	New Zealand ...	800 "	25,192 "	25,992 "	50	1,865	1,915
	Queensland ...	408 "	61,200 "	61,608 "	37	5,044	5,081
	South Sea Islands...	24 "	4,200 "	4,224 "	2	363	365
	New Caledonia ...	24 "	16,760 "	16,784 "	2	1,357	1,359
	Fiji Islands ...	600 "	8,896 "	9,496 "	50	717	767
	San Francisco ...		104 "	104 "		11	11
	New Guinea ...		112 "	112 "		11	11
	Hong Kong ...	16,000 galls.	256 "	16,256 "	1,200	26	1,226
	China ...		64 "	64 "		7	7
	Ceylon ...		16 "	16 "		2	2
	Java ...		88 "	88 "		9	9
	Manila ...		8 "	8 "		1	1
	Japan ...		16 "	16 "		2	2
	Bombay ...		8 "	8 "		1	1
	Honolulu ...		8 "	8 "		1	1
	Callao ...		32 "	32 "		4	4
Petropaulovski ...		40 "	40 "		3	3	
		17,936 galls.	119,096 galls.	137,032 galls.	1,348	9,608	10,956
All other ...	Great Britain ...		1,297 galls.	1,297 galls.		270	270
	Victoria ...	1,440 galls.	1,127 "	2,567 "	213	250	463
	New Zealand ...		940 "	940 "		224	224
	Tasmania ...		93 "	93 "		20	20
	South Australia ...	200 galls.	395 "	595 "	40	80	120
	Queensland ...	1,055 "	15,142 "	16,197 "	245	2,904	3,149
	South Sea Islands...		1,582 "	1,582 "		342	342
New Caledonia ...		5,048 "	5,048 "		1,059	1,059	
Carried forward...		2,695 galls.	25,624 galls.	28,319 galls.	498	5,149	5,647

STATISTICS—1878.

121

EXPORTS—continued.

Articles.	Countries to which Exported.	Quantities.			Value.		
		Produce and Manufacture of the Colony.	British, Foreign, and other Colonial Produce and Manufacture.	Total.	Produce and Manufacture of the Colony.	British, Foreign, and other Colonial Produce and Manufacture.	Total.
Oil— <i>contd.</i>	Brought forward..	2,695 galls.	25,624 galls.	28,319 galls.	£ 498	£ 5,149	£ 5,647
	Fiji Islands		1,139 "	1,139 "		300	300
	San Francisco		2,050 "	2,050 "		492	492
	Hong Kong		4,333 "	4,333 "		859	859
	China		70 "	70 "		15	15
	Honolulu		24 "	24 "		12	12
	Java		100 "	100 "		19	19
	Japan		90 "	90 "		18	18
	Mauritius		178 "	178 "		29	29
	Callao		85 "	85 "		17	17
	Singapore		281 "	281 "		57	57
	Petropaulovski		110 "	110 "		21	21
	Portland (U.S.)		15 "	15 "		3	3
Ceylon		15 "	15 "		3	3	
		2695 galls.	34,114 galls.	36,809 galls.	498	6,994	7,492
Oilmen's Stores	Great Britain		470 pkgs.	470 pkgs.		584	584
	Victoria	3 pkgs.	54 "	57 "	6	236	242
	South Australia	10 "	82 "	92 "	17	254	271
	Tasmania	24 "	13 "	37 "	33	28	61
	New Zealand	8 "	189 "	197 "	23	395	418
	Queensland	186 "	1,777 "	1,963 "	373	4,982	5,355
	South Sea Islands	1 "	78 "	79 "	4	155	159
	New Caledonia	18 "	139 "	157 "	43	329	372
	Fiji Islands	23 "	283 "	306 "	62	848	910
	Honolulu	5 "		5 "	21		21
	Hong Kong	1 "		1 "	2		2
	New Guinea		3 pkgs.	3 "		11	11
			279 pkgs.	3,088 pkgs.	3,367 pkgs.	584	7,822
Onions	South Australia	100 cwt.		100 cwt.	89		89
	New Zealand	206 "	20 cwt.	226 "	121	20	141
	Queensland	2,604 "	2,745 "	5,349 "	1,964	2,052	4,016
	South Sea Islands	3 "	5 "	8 "	2	3	5
	New Caledonia	1,152 "	285 "	1,437 "	884	258	1,142
Fiji Islands	97 "		97 "	83		83	
		4,162 cwt.	3,055 cwt.	7,217 cwt.	3,143	2,333	5,476
Opium	Victoria		362 lbs.	362 lbs.		894	894
	Queensland		2,772 "	2,772 "		7,253	7,253
			3,134 lbs.	3,134 lbs.		8,147	8,147
Oysters (fresh)	Victoria	14,198 bags		14,198 bags	12,291		12,291
	Tasmania	251 "		251 "	267		267
	New Zealand	2 "		2 "	2		2
	South Australia	2 "		2 "	2		2
	New Caledonia	2 "		2 "	2		2
	Fiji Islands	2 "		2 "	2		2
		14,457 bags		14,457 bags	12,566		12,566
Paints	Great Britain		20 cwt.	20 cwt.		33	33
	Victoria		14 $\frac{1}{4}$ "	14 $\frac{1}{4}$ "		30	30
	South Australia	20 cwt.	28 "	48 "	60	52	112
	Tasmania		18 "	18 "		49	49
	New Zealand		40 "	40 "		62	62
	Queensland	17 cwt.	909 $\frac{1}{2}$ "	926 $\frac{1}{2}$ "	42	1,510	1,552
	South Sea Islands		90 $\frac{3}{4}$ "	90 $\frac{3}{4}$ "		172	172
	New Caledonia		122 $\frac{1}{4}$ "	122 $\frac{1}{4}$ "		222	222
	Fiji Islands		126 $\frac{1}{4}$ "	126 $\frac{1}{4}$ "		239	239
	China		3 $\frac{3}{4}$ "	3 $\frac{3}{4}$ "		6	6
	Hong Kong		207 $\frac{1}{4}$ "	207 $\frac{1}{4}$ "		325	325
	San Francisco		1 "	1 "		2	2
Japan		11 $\frac{1}{2}$ "	11 $\frac{1}{2}$ "		22	22	
		37 cwt.	1,593 cwt.	1,630 cwt.	102	2,724	2,826
Painters' Materials	New Zealand	100 pkgs.		100 pkgs.	50		50
Paper-hangings	Victoria		5 pkgs.	5 pkgs.		29	29
	South Australia		12 "	12 "		50	50
	New Zealand		11 "	11 "		99	99
	Queensland		39 "	39 "		240	240
	New Caledonia		1 "	1 "		7	7
			68 pkgs.	68 pkgs.		425	425
Paraffine Wax	Great Britain	212 cwt.		112 cwt.	170		170

EXPORTS—*continued.*

Articles.	Countries to which Exported.	Quantities.			Value.		
		Produce and Manufacture of the Colony.	British, Foreign, and other Colonial Produce and Manufacture.	Total.	Produce and Manufacture of the Colony.	British, Foreign, and other Colonial Produce and Manufacture.	Total.
					£	£	£
Pearl Shell ...	Great Britain		1,022,796 lbs.	1,022,796 lbs.		60,932	60,932
	Victoria		57,992 "	57,992 "		3,695	3,695
			1,080,788 lbs.	1,080,788 lbs.		64,627	64,627
Pea-nut ...	Victoria		131 cwt.	131 cwt.		116	116
	New Zealand		20 "	20 "		25	25
			151 cwt.	151 cwt.		141	141
Pepper and Spices ...	Victoria		580 lbs.	580 lbs.		53	53
	South Australia		175 "	175 "		9	9
	Queensland		13,772 "	13,772 "		564	564
	South Sea Islands		115 "	115 "		3	3
	New Caledonia		6,207 "	6,207 "		236	236
	Fiji Islands		876 "	876 "		30	30
			21,725 lbs.	21,725 lbs.		895	895
Photographic Materials	Great Britain		5 pkgs.	5 pkgs.		9	9
	Victoria		11 "	11 "		68	68
	South Australia		5 "	5 "		27	27
	Queensland		27 "	27 "		281	281
	South Sea Islands		3 "	3 "		30	30
	New Caledonia		12 "	12 "		115	115
	San Francisco		1 "	1 "		10	10
		64 pkgs.	64 pkgs.		540	540	
Phormium Tenax ...	Victoria		7 bales	7 bales		17	17
	New Zealand		178 "	178 "		340	340
	Queensland		222 "	222 "		438	438
			407 bales	407 bales		795	795
Pickles and Sauces ...	Great Britain		6 cases	6 cases		8	8
	Victoria		80 "	80 "		84	84
	New Zealand		85 "	85 "		143	143
	South Australia		113 "	113 "		198	198
	Tasmania		4 "	4 "		8	8
	Queensland		3,029 "	3,029 "		5,232	5,232
	South Sea Islands		56 "	56 "		79	79
	New Caledonia		105 "	105 "		191	191
	Fiji Islands		172 "	172 "		316	316
	San Francisco		118 "	118 "		174	174
	China		2 "	2 "		3	3
	Hong Kong		16 "	16 "		23	23
	New Guinea		1 "	1 "		2	2
	Petropaulovski		2 "	2 "		4	4
	Japan		1 "	1 "		2	2
	Ceylon		2 "	2 "		4	4
	Singapore		6 "	6 "		8	8
Java		1 "	1 "		2	2	
		3,799 cases	3,799 cases		6,481	6,481	
Pictures and Paintings	Great Britain	7 pkgs.	12 pkgs.	19 pkgs.	135	223	358
	Victoria	3 "	56 "	59 "	72	1,284	1,356
	Tasmania		5 "	5 "		41	41
	New Zealand	2 pkgs.	6 "	8 "	6	109	115
	Queensland	1 "	63 "	64 "	10	676	686
	South Sea Islands	2 "		2 "	10		10
	New Caledonia		1 pkg.	1 "		10	10
	Fiji Islands		1 "	1 "		2	2
		15 pkgs.	144 pkgs.	159 pkgs.	233	2,345	2,578
Pipes (Tobacco)	Victoria		4 pkgs.	4 pkgs.		162	162
	South Australia		7 "	7 "		14	14
	Tasmania		2 "	2 "		13	13
	New Zealand		57 "	57 "		58	58
	Queensland		310 "	310 "		840	840
	New Caledonia		184 "	184 "		154	154
	Fiji Islands		90 "	90 "		91	91
	South Sea Islands		175 "	175 "		118	118
Honolulu		1 "	1 "		55	55	
		830 pkgs.	830 pkgs.		1,505	1,505	

STATISTICS—1878.

123

EXPORTS—continued.

Articles.	Countries to which Exported.	Quantities.			Value.		
		Produce and Manufacture of the Colony.	British, Foreign, and other Colonial Produce and Manufacture.	Total.	Produce and Manufacture of the Colony.	British, Foreign, and other Colonial Produce and Manufacture.	Total.
Pitch, Tar, and Resin	Victoria ...	2 pkgs.	2 pkgs.	£	£	£
	South Australia	3 pkgs.	3 "	1	1
	New Zealand ...	116 pkgs.	17 "	133 "	6	6
	Queensland ...	543 "	265 "	808 "	97	19	116
	South Sea Islands...	13 "	7 "	20 "	380	314	694
	New Caledonia ...	100 "	33 "	133 "	11	8	19
	Fiji Islands...	111 "	39 "	150 "	94	35	129
Java ...	5 "	5 "	52	32	84	
		890 pkgs.	364 pkgs.	1,254 pkgs.	643	414	1,057
Plants and Seeds	Great Britain ...	46 pkgs.	42 pkgs.	88 pkgs.	370	72	442
	Victoria ...	1,755 "	113 "	1,868 "	3,616	387	4,003
	South Australia ...	3 "	3 "	17	17
	Tasmania ...	54 "	3 pkgs.	57 "	147	16	163
	New Zealand ...	416 "	42 "	458 "	1,079	627	1,706
	Queensland ...	1,018 "	231 "	1,249 "	3,875	1,039	4,914
	South Sea Islands...	2 "	2 "	13	13
	New Caledonia ...	65 pkgs.	18 "	83 "	186	78	264
	Calcutta ...	3 "	3 "	26	26
	Honolulu ...	1 "	2 pkgs.	3 "	5	7	12
	San Francisco ...	7 "	11 "	18 "	33	112	145
	Fiji Islands ...	57 "	12 "	69 "	172	49	221
	Western Australia..	17 "	17 "	40	40
	Java ...	3 "	1 pkg.	4 "	18	10	28
	Japan ...	2 "	2 "	10	10
	France ...	8 "	8 "	23	23
	Madras ...	4 "	1 pkg.	5 "	11	2	13
	Singapore ...	1 "	1 "	2 "	20	5	25
	Ceylon ...	6 "	6 "	47	47
	Mauritius ...	7 "	7 "	83	83
Hong Kong ...	1 "	1 pkg.	2 "	4	7	11	
Bombay ...	3 "	3 "	20	20	
		3,477 pkgs.	480 pkgs.	3,957 pkgs.	9,802	2,424	12,226
Potatoes	Victoria ...	23 cwt.	14 cwt.	37 cwt.	24	7	31
	South Australia ...	118 "	190 "	308 "	35	53	88
	New Zealand ...	390 "	267 "	657 "	111	78	189
	Queensland ...	25,337 "	58,965 "	84,302 "	8,615	16,505	25,120
	South Sea Islands...	10 "	80 "	90 "	2	32	34
	New Caledonia ...	6,531 "	4,427 "	10,958 "	2,584	1,323	3,907
	Fiji Islands ...	48 "	48 "	23	23
	Ceylon ...	18 "	18 "	8	8
	Madras ...	10 "	10 "	5	5
	Honolulu ...	5 "	5 "	2	2
	Singapore	620 cwt.	620 "	146	146
		32,490 cwt.	64,563 cwt.	97,053 cwt.	11,409	18,144	29,553
Printing Materials	Victoria ...	6 pkgs.	189 pkgs.	195 pkgs.	69	1,733	1,802
	South Australia	7 "	7 "	19	19
	Tasmania	8 "	8 "	60	60
	New Zealand	185 "	185 "	3,321	3,321
	Queensland	356 "	356 "	3,929	3,929
	South Sea Islands...	2 "	2 "	34	34
	New Caledonia	8 "	8 "	29	29
Fiji Islands	16 "	16 "	86	86	
		6 pkgs.	771 pkgs.	777 pkgs.	69	9,211	9,280
Provisions. Bacon and Hams.	Great Britain	2,861 lbs.	2,861 lbs.	175	175
	Victoria ...	1,004 lbs.	396 "	1,400 "	49	20	69
	South Australia ...	2,323 "	7,925 "	10,248 "	82	363	445
	New Zealand	29 "	29 "	1	1
	Queensland ...	60,905 lbs.	55,948 "	116,853 "	2,259	2,775	5,034
	New Caledonia ...	10,875 "	6,072 "	16,947 "	383	275	658
	South Sea Islands...	112 "	1,879 "	1,991 "	3	105	108
	Fiji Islands ...	1,235 "	1,880 "	3,115 "	46	101	147
	San Francisco	788 "	788 "	51	51
	China	50 "	50 "	3	3
	Java	299 "	299 "	18	18
	Singapore	715 "	715 "	36	36
	Bombay	13 "	13 "	1	1
	New Guinea	34 "	34 "	2	2
Hong Kong	1,875 "	1,875 "	96	96	
		76,454 lbs.	80,764 lbs.	157,218 lbs.	2,822	4,022	6,844

EXPORTS—continued.

Articles.	Countries to which Exported.	Quantities.			Value.		
		Produce and Manufacture of the Colony.	British, Foreign, and other Colonial Produce and Manufacture.	Total.	Produce and Manufacture of the Colony.	British, Foreign, and other Colonial Produce and Manufacture.	Total.
Beef	Great Britain	940 cwt.	940 cwt.	£ 1,050	£ 1,050
	South Australia	260 "	260 "	378	378
	Tasmania	117 "	117 "	139	139
	New Zealand	33 "	33 "	42	42
	Queensland	1,156 "	1,156 "	1,529	1,529
	South Sea Islands	526 "	526 "	740	740
	New Caledonia	1,098 "	1,098 "	1,351	1,351
	Fiji Islands	718 "	718 "	996	996
	Honolulu	10 "	10 "	15	15
	Java	19 "	19 "	30	30
	Mauritius	3,246 "	3,246 "	4,313	4,313
New Guinea	6 "	6 "	8	8	
		8,129 cwt.	8,129 cwt.	10,591	10,591
Chinese	Victoria	12 pkgs.	12 pkgs.	18	18
	South Australia	4 "	4 "	2	2
	New Zealand	7 "	7 "	7	7
	Queensland	227 "	227 "	334	334
	South Sea Islands	1 "	1 "	1	1
New Caledonia	1 "	1 "	2	2	
		252 pkgs.	252 pkgs.	364	364
Pork	South Australia	217 cwt.	217 cwt.	528	528
	Queensland	93 "	93 "	209	209
	South Sea Islands	28 "	28 "	67	67
	New Caledonia	79 "	79 "	178	178
	Fiji Islands	5 "	5 "	12	12
	Mauritius	124 "	124 "	242	242
New Guinea	4 "	4 "	10	10	
		550 cwt.	550 cwt.	1,246	1,246
Preserved Meats and Extracts	Great Britain	13,560 cases	789 cases	14,349 cases	26,049	1,696	27,745
	Victoria	6 "	6 "	10	10
	South Australia	98 "	7 cases	105 "	285	14	299
	Tasmania	23 "	23 "	64	64
	New Zealand	57 "	57 "	149	149
	Queensland	284 "	30 cases	314 "	746	58	804
	South Sea Islands	287 "	10 "	297 "	683	13	696
	New Caledonia	6,524 "	6,524 "	13,163	13,163
	Fiji Islands	528 "	528 "	1,380	1,380
	Hong Kong	144 "	1 case	145 "	6	2	8
	Honolulu	39 cases	39 "	80	80
Java	2 cases	2 "	6	6	
New Guinea	11 "	11 "	40	40	
		21,524 cases	876 cases	22,400 cases	42,581	1,863	44,444
Marrow	Great Britain	415 cases	415 cases	1,569	1,569
Vegetables (Preserved)	Great Britain	34 pkgs.	34 pkgs.	49	49
	Victoria	13 "	13 "	20	20
	South Australia	77 "	77 "	127	127
	Queensland	766 "	766 "	1,381	1,381
New Caledonia	8 "	8 "	10	10	
		898 pkgs.	898 pkgs.	1,587	1,587
Vegetables (Green)	Victoria	9 pkgs.	9 pkgs.	42	42
	Tasmania	2 "	2 "	3	3
	Queensland	347 "	34 pkgs.	381 "	490	70	560
	South Sea Islands	2 "	2 "	5	5
	New Caledonia	56 "	56 "	70	70
	Fiji Islands	20 "	20 "	31	31
New Guinea	2 "	2 "	2	2	
		438 pkgs.	34 pkgs.	472 pkgs.	643	70	713
Preserves	Great Britain	272 lbs.	2,547 lbs.	2,819 lbs.	11	121	132
	Victoria	11,083 "	11,083 "	511	511
	Tasmania	96 "	96 "	4	4
	South Australia	3,348 "	3,348 "	133	133
	New Zealand	4,284 lbs.	5,985 "	10,269 "	76	258	334
	Queensland	7,096 "	57,568 "	64,664 "	122	2,627	2,749
	South Sea Islands	1,083 "	1,083 "	45	45
	New Caledonia	4,351 "	4,351 "	196	196
	Fiji Islands	60 lbs.	9,530 "	9,590 "	1	439	440
	San Francisco	48 "	48 "	2	2
	Java	48 "	48 "	2	2
China	48 "	48 "	2	2	
		11,712 lbs.	95,735 lbs.	107,447 lbs.	210	4,340	4,550

STATISTICS—1878.

125

EXPORTS—continued.

Articles.	Countries to which Exported.	Quantities.			Value.		
		Produce and Manufacture of the Colony.	British, Foreign, and other Colonial Produce and Manufacture.	Total.	Produce and Manufacture of the Colony.	British, Foreign, and other Colonial Produce and Manufacture.	Total.
					£	£	£
Pulu ...	Victoria ...		82 bales	82 bales		205	205
	New Zealand ...		11 "	11 "		38	38
	Queensland ...		51 "	51 "		177	177
	New Caledonia ...		3 "	3 "		6	6
			147 bales	147 bales		426	426
Pyrites ...	Great Britain ...	194 cwt.		194 cwt.	478		478
Quicksilver ...	Victoria ...		330 bottles	330 bottles		2,730	2,730
	New Zealand ...		20 "	20 "		188	188
	Queensland ...		181 "	181 "		1,450	1,450
	New Caledonia ...		8 "	8 "		68	68
			539 bottles	539 bottles		4,436	4,436
Rice ...	Great Britain ...		47 cwt.	47 cwt.		49	49
	Victoria ...		15,563½ "	15,563½ "		12,158	12,158
	Tasmania ...		4 "	4 "		5	5
	New Zealand ...		2,381½ "	2,381½ "		2,245	2,245
	South Australia ...		346 "	346 "		368	368
	Queensland ...		8,245½ "	8,245½ "		8,102	8,102
	South Sea Islands ...		562½ "	562½ "		536	536
	Fiji Islands ...		642½ "	642½ "		607	607
	New Caledonia ...		8,953 "	8,953 "		8,299	8,299
	Hong Kong ...		136¼ "	136¼ "		118	118
	Singapore ...		20 "	20 "		20	20
	China ...		5 "	5 "		5	5
	Petropaulovski ...		3 "	3 "		3	3
	San Francisco ...		343 "	343 "		345	345
	New Guinea ...		66¼ "	66¼ "		62	62
	Java ...		3 "	3 "		3	3
	Callao ...		5 "	5 "		5	5
Honolulu ...		2 "	2 "		2	2	
Valparaiso ...		6 "	6 "		6	6	
Japan ...		1 "	1 "		1	1	
			37,336 cwt.	37,336 cwt.		32,939	32,939
Saddlery and Harness	Great Britain ...	4 pkgs.	1 pkg.	5 pkgs.	95	57	152
	Victoria ...	17 "	9 "	26 "	480	70	550
	South Australia ...	13 "	12 "	25 "	524	148	672
	Tasmania ...	9 "	10 "	19 "	254	171	425
	New Zealand ...	146 "	23 "	169 "	5,697	681	6,378
	Queensland ...	508 "	165 "	673 "	9,513	2,685	12,198
	South Sea Islands ...	6 "	4 "	10 "	100	66	166
	New Caledonia ...	14 "	7 "	21 "	207	85	292
	Fiji Islands ...	21 "	10 "	31 "	366	80	446
	Honolulu ...	58 "	1 "	59 "	2,880	30	2,910
	Singapore ...	2 "		2 "	34		34
	Java ...	3 "		3 "	65		65
	San Francisco ...	1 "		1 "	16		16
	Hong Kong ...	2 "		2 "	26		26
Madras ...	1 "		1 "	3		3	
		805 pkgs.	242 pkgs.	1,047 pkgs.	20,260	4,073	24,333
Sago ...	South Australia ...		400 lbs.	400 lbs.		6	6
	Tasmania ...		666 "	666 "		8	8
	New Zealand ...		9,398 "	9,398 "		114	114
	Queensland ...		21,827 "	21,827 "		321	321
Fiji Islands ...		271 "	271 "		4	4	
			32,562 lbs.	32,562 lbs.		453	453
Salt ...	Great Britain ...		14 cwt.	14 cwt.		3	3
	South Australia ...		4 "	4 "		3	3
	New Zealand ...		100 "	100 "		18	18
	Queensland ...		8,236 "	8,236 "		1,387	1,387
	South Sea Islands ...		158 "	158 "		39	39
	New Caledonia ...		1,522 "	1,522 "		248	248
	Hong Kong ...		14 "	14 "		3	3
	Fiji Islands ...		620 "	620 "		122	122
San Francisco ...		38 "	38 "		9	9	
Petropaulovski ...		13 "	13 "		3	3	
			10,719 cwt.	10,719 cwt.		1,835	1,835

EXPORTS—continued.

Articles.	Countries. to which Exported.	Quantities.			Value.		
		Produce and Manufacture of the Colony.	British, Foreign, and other Colonial Produce and Manufacture.	Total.	Produce and Manufacture of the Colony.	British, Foreign, and other Colonial Produce and Manufacture.	Total.
Salt (Rock) ...	Victoria	6 cwt.	6 cwt.	£	2	2
	South Australia	11 "	11 "	3	3
	Queensland	1,937 "	1,937 "	304	304
	New Caledonia	20 "	20 "	4	4
	San Francisco	10 "	10 "	2	2
			1,984 cwt.	1,984 cwt.	315	315
Saltpetre ...	Great Britain	39 cwt.	39 cwt.	39	39
	Queensland	12 "	12 "	20	20
	New Caledonia	2 "	2 "	3	3
	Fiji Islands	2 "	2 "	3	3
			55 cwt.	55 cwt.	65	65
Sarsaparilla ...	Great Britain	2 galls.	2 galls.	2	2
	Tasmania	9½ "	9½ "	9	9
	New Zealand	517½ "	517½ "	486	486
	Queensland	901 "	901 "	793	793
	New Caledonia	43 "	43 "	31	31
	South Sea Islands...	6 "	6 "	4	4
	Fiji Islands	4 "	4 "	3	3
			1,483 galls.	1,483 galls.	1,328	1,328
Shale (Kerosene) ...	Great Britain ...	5 tons	5 tons	20	20
	Victoria ...	3,036 "	3,036 "	9,700	9,700
	Tasmania ...	296 "	296 "	985	985
	New Zealand ...	400 "	400 "	1,280	1,280
	Queensland ...	31 "	31 "	141	141
	San Francisco ...	4,385 "	4,385 "	10,794	10,794
	China ...	75 "	75 "	250	250
	Valparaiso ...	1,099 "	1,099 "	3,312	3,312
	Petropaulovski ...	600 "	600 "	1,600	1,600
	Japan ...	502 "	502 "	1,506	1,506
	Hong Kong ...	6 "	6 "	25	25
Callao ...	1,767 "	1,767 "	4,450	4,450	
		12,202 tons	12,202 tons	34,063	34,063
Ship Chandlery ...	Victoria	3 pkgs.	3 pkgs.	5	5
	Tasmania	14 "	14 "	94	94
	New Zealand	21 "	21 "	160	160
	Queensland	154 "	154 "	1,304	1,304
	South Sea Islands...	3 "	3 "	28	28
	New Caledonia	3 "	3 "	36	36
	Fiji Islands	84 "	84 "	619	619
			282 pkgs.	282 pkgs.	2,246	2,246
Shooks and Staves ...	Victoria ...	148 pkgs.	467 pkgs.	615 pkgs.	49	373	422
	South Australia	236 "	236 "	182	182
	Queensland ...	1,350 pkgs.	786 "	2,136 "	693	555	1,248
	South Sea Islands...	40 "	40 "	17	17
		1,538 pkgs.	1,489 pkgs.	3,027 pkgs.	759	1,110	1,869
Silver... ..	Great Britain ...	60,023 7	60,023 7	13,165	13,165
	New Zealand ...	540 0	540 0	126	126
		60,563 7	60,563 7	13,291	13,291
Silver Lead Ore ...	Great Britain ...	101¼ cwt.	101¼ cwt.	258	258
Silver-plate & Plated- ware ...	Great Britain	4 pkgs.	4 pkgs.	565	565
	Victoria	13 "	13 "	388	388
	South Australia	1 "	1 "	28	28
	Tasmania	2 "	2 "	29	29
	New Zealand	13 "	13 "	621	621
	Queensland	54 "	54 "	1,946	1,946
	New Caledonia	1 "	1 "	12	12
	Fiji Islands	3 "	3 "	24	24
Calcutta	1 "	1 "	32	32	
			92 pkgs.	92 pkgs.	3,645	3,645
Skins. { Horned Cattle	Great Britain ...	21,009 No.	624 No.	21,633 No.	18,758	624	19,382
	Victoria ...	50,252 "	50,252 "	41,046	41,046
	Tasmania ...	486 "	281 No.	767 "	470	274	744
	South Australia ...	3,776 "	3,776 "	2,321	2,321
	Queensland ...	201 "	201 "	70	70
			75,724 No.	905 No.	76,629 No.	62,665	898

EXPORTS—*continued.*

Articles.	Countries to which Exported.	Quantities.			Value.		
		Produce and Manufacture of the Colony.	British, Foreign, and other Colonial Produce and Manufacture.	Total.	Produce and Manufacture of the Colony.	British, Foreign, and other Colonial Produce and Manufacture.	Total.
Geneva and Schnapps	Great Britain		43 galls.	43 galls.	£	£ 8	£ 8
	Victoria		1,446 "	1,446 "		457	457
	South Australia		1,002 "	1,002 "		247	247
	Tasmania		4,456 "	4,456 "		943	943
	New Zealand		1,064 "	1,064 "		403	403
	Queensland		19,669 "	19,669 "		7,900	7,900
	South Sea Islands		8,241 "	8,241 "		1,495	1,495
	New Caledonia		2,085 "	2,085 "		422	422
	Fiji Islands		2,883 "	2,883 "		666	666
	Honolulu		63 "	63 "		23	23
	Hong Kong		98 "	68 "		30	30
	San Francisco		239 "	239 "		53	53
	Petropaulovski		7 "	7 "		2	2
	China		18 "	18 "		7	7
	Singapore		23 "	23 "		5	5
	Mauritius		12 "	12 "		3	3
	Valparaiso		15 "	15 "		4	4
	Ceylon		8 "	8 "		3	3
	Bombay		8 "	8 "		2	2
	Java		29 "	29 "		6	6
Japan		32 "	32 "		8	8	
Manila		35 "	35 "		10	10	
Lacepede Islands		10 "	10 "		3	3	
			41,486 galls.	41,486 galls.		12,700	12,700
Gin	Great Britain		29 galls.	29 galls.		12	12
	Victoria		15 "	15 "		6	6
	New Zealand		54 "	54 "		18	18
	Queensland		643 "	643 "		225	225
	South Sea Islands		55 "	55 "		22	22
	New Caledonia		2 "	2 "		1	1
	Fiji Islands		53 "	53 "		19	19
	Honolulu		45 "	45 "		16	16
	San Francisco		25 "	25 "		12	12
	Singapore		4 "	4 "		2	2
			925 galls.	925 galls.		333	333
Liqueurs	Victoria		107 galls.	107 galls.		63	63
	Tasmania		3½ "	3½ "		12	12
	New Zealand		10 "	10 "		19	19
	Queensland		575¼ "	575¼ "		573	573
	South Sea Islands		19 "	19 "		19	19
	New Caledonia		92 "	92 "		77	77
	Fiji Islands		32¾ "	32¾ "		28	28
	San Francisco		8½ "	8½ "		10	10
	Hong Kong		4 "	4 "		4	4
	Java		13 "	13 "		7	7
Honolulu		13 "	13 "		13	13	
			878 galls.	878 galls.		825	825
Methylated	New Zealand		20 galls.	20 galls.		4	4
	Queensland		385 "	385 "		65	65
	Fiji Islands		3 "	3 "		1	1
			408 galls.	408 galls.		70	70
Perfumed	Tasmania		4 galls.	4 galls.		20	20
	South Australia		1½ "	1½ "		2	2
	New Zealand		40 "	40 "		86	86
	Queensland		100¼ "	100¼ "		266	266
	Fiji Islands		19 "	19 "		56	56
	San Francisco		1¼ "	1¼ "		3	3
			166 galls.	166 galls.		433	433
Rum	Great Britain		117 galls.	117 galls.		21	21
	Victoria		1,076 "	1,076 "		245	245
	South Australia		268 "	268 "		60	60
	Tasmania		20 "	20 "		4	4
	New Zealand		756 "	756 "		159	159
	Queensland		5,900 "	5,900 "		1,885	1,885
	South Sea Islands		682 "	682 "		103	103
	New Caledonia		2,844 "	2,844 "		381	381
	Fiji Islands		453 "	453 "		86	86
	San Francisco		133 "	133 "		18	18
	Hong Kong		24 "	24 "		6	6
	Mauritius		54 "	54 "		6	6
Valparaiso		20 "	20 "		5	5	
Carried forward			12,347 galls.	12,347 galls.		2,979	2,979

STATISTICS—1878.

129

EXPORTS—continued.

Articles.	Countries to which Exported.	Quantities.			Value.			
		Produce and Manufacture of the Colony.	British, Foreign, and other Colonial Produce and Manufacture.	Total.	Produce and Manufacture of the Colony.	British, Foreign, and other Colonial Produce and Manufacture.	Total.	
Rum—continued.	Brought forward ...		12,347 galls.	12,347 galls.	£	£	£	
	Callao ...		28 "	28 "		5	5	
	Singapore ...		22 "	22 "		5	5	
	Japan ...		22 "	22 "		6	6	
	New Guinea ...		14 "	14 "		3	3	
	Honolulu ...		63 "	63 "		12	12	
	China ...		30 "	30 "		6	6	
	Ceylon ...		10 "	10 "		3	3	
	Java ...		10 "	10 "		3	3	
				12,546 galls.	12,546 galls.		3,022	3,022
	Whiskey	Great Britain ...		460 galls.	460 galls.		222	222
Victoria ...			2,862 "	2,862 "		1,208	1,208	
Tasmania ...			84 "	84 "		41	41	
South Australia ...			34 "	34 "		16	16	
New Zealand ...			503 "	503 "		188	188	
Queensland ...			9,705 "	9,705 "		3,976	3,976	
South Sea Islands...			182 "	182 "		125	125	
New Caledonia ...			54 "	54 "		30	30	
Fiji Islands ...			525 "	525 "		238	238	
Honolulu ...			278 "	278 "		146	146	
Hong Kong ...			53 "	53 "		30	30	
Singapore ...			11 "	11 "		6	6	
San Francisco ...			481 "	481 "		279	279	
China ...			6 "	6 "		4	4	
Calcutta ...			2 "	2 "		1	1	
Ceylon ...			2 "	2 "		1	1	
Java ...			14 "	14 "		7	7	
Valparaiso ...			7 "	7 "		4	4	
Japan ...			4 "	4 "		3	3	
Petropaulovski ...			4 "	4 "		2	2	
Manila ...		11 "	11 "		5	5		
Nagapatam ...		2 "	2 "		1	1		
Tuticorin ...		4 "	4 "		3	3		
			15,288 galls.	15,288 galls.		6,536	6,536	
Distilled in the Colony	Victoria ...	28,576 galls.		28,576 galls.	3,210		3,210	
	New Zealand ...	8,016 "		8,016 "	914		914	
	Tasmania ...	766 "		766 "	85		85	
	South Sea Islands...	52 "		52 "	6		6	
	New Caledonia ...	49,606 "		49,606 "	5,609		5,609	
	Valparaiso ...	54 "		54 "	6		6	
	Hong Kong ...	49 "		49 "	6		6	
	Japan ...	52 "		52 "	6		6	
		87,171 galls.		87,171 galls.	9,842		9,842	
All other	South Australia ...		10 galls.	10 galls.		3	3	
	Tasmania ...		14 $\frac{1}{2}$ "	14 $\frac{1}{2}$ "		31	31	
	New Zealand ...		196 $\frac{1}{2}$ "	196 $\frac{1}{2}$ "		77	77	
	Queensland ...		905 "	905 "		433	433	
	South Sea Islands...		4 "	4 "		3	3	
	New Caledonia ...		2 "	2 "		4	4	
	Fiji Islands ...		21 "	21 "		34	34	
	San Francisco ...		24 "	24 "		6	6	
Honolulu ...		7 "	7 "		8	8		
			1,184 galls.	1,184 galls.		599	599	
Spokes and Felloes	Victoria ...	23,110 No.		23,110 No.	178		178	
	South Australia ...	94,723 "	100 No.	94,823 "	689	1	690	
	New Zealand ...	616,224 "		616,224 "	3,916		3,916	
	Queensland ...	6,374 "	102 No.	6,476 "	94	4	98	
		740,431 No.	202 No.	740,633 No.	4,877	5	4,882	
Starch	Victoria ...		79,520 lbs.	79,520 lbs.		1,360	1,360	
	South Australia ...		1,064 "	1,064 "		19	19	
	Tasmania ...		224 "	224 "		3	3	
	New Zealand ...		9,912 "	9,912 "		164	164	
	Queensland ...		31,104 "	31,104 "		551	551	
	New Caledonia ...		13,888 "	13,888 "		259	259	
	South Sea Islands...		2,296 "	2,296 "		39	39	
Fiji Islands ...		4,496 "	4,496 "		88	88		
			142,504 lbs.	142,504 lbs.		2,483	2,483	

EXPORTS—continued.

Articles.	Countries to which Exported.	Quantities.			Value.				
		Produce and Manufacture of the Colony.	British, Foreign, and other Colonial Produce and Manufacture.	Total.	Produce and Manufacture of the Colony.	British, Foreign, and other Colonial Produce and Manufacture.	Total.		
Stationery.	Paper (Printing)	Great Britain ...	44 bales	44 bales	£	£	£		
		Victoria ...	93 bales	30 "	123 "	1,265	300	1,565	
		Tasmania ...	73 "	26 "	99 "	966	138	1,104	
		South Australia ...	24 "	24 "	321	321	
		New Zealand ...	204 "	207 bales	411 "	3,235	2,700	5,935	
		Queensland ...	59 "	252 "	311 "	643	3,231	3,874	
		New Caledonia ...	4 "	20 "	24 "	22	149	171	
		Fiji Islands ...	1 "	32 "	33 "	20	320	340	
				458 bales	611 bales	1,069 bales	6,472	7,414	13,886
Stationery.	Paper (Brown & Wrapping).	Tasmania ...	25½ cwt.	25½ cwt.	47	47		
		New Zealand ...	46½ cwt.	434½ "	896 "	590	706	1,296	
		Queensland ...	152½ "	947½ "	1,100½ "	261	1,743	2,004	
		South Sea Islands...	2 "	2 "	3	3	
		New Caledonia ...	11 "	266½ cwt.	277½ "	31	486	517	
Fiji Islands ...	8 "	20½ "	28½ "	15	34	49			
		635½ cwt.	1,694½ cwt.	2,330 cwt.	900	3,016	3,916		
Stationery.	Paper (Writing and Fancy).	Queensland	1,102 lbs.	1,102 lbs.	43	43	
Stationery.	Books and Periodicals.	Great Britain ...	16 pkgs.	67 pkgs.	83 pkgs.	160	1,340	1,500	
		Victoria ...	17 "	367 "	384 "	230	11,613	11,843	
		South Australia ...	2 "	2 "	4 "	7	133	140	
		Tasmania ...	8 "	46 "	54 "	24	595	619	
		New Zealand ...	14 "	690 "	704 "	62	15,907	15,969	
		Queensland ...	21 "	1,056 "	1,077 "	172	18,278	18,450	
		South Sea Islands...	19 "	19 "	196	196	
		New Caledonia ...	3 pkgs.	14 "	17 "	17	96	113	
		Fiji Islands ...	1 pkg.	27 "	28 "	3	441	444	
		San Francisco ...	5 pkgs.	1 pkg.	6 "	25	10	35	
		Western Australia	1 pkg.	1 pkg.	5	5	
		Honolulu	4 pkgs.	4 pkgs.	133	133	
		France	1 pkg.	1 pkg.	2	2	
		Mauritius	1 "	1 "	5	5	
				88 pkgs.	2,295 pkgs.	2,383 pkgs.	705	48,749	49,454
Stationery.	Stationery	Great Britain ...	4 pkgs.	4 pkgs.	85	85		
		Victoria ...	5 pkgs.	68 "	73 "	16	605	621	
		South Australia	1 pkg.	1 pkg.	4	4	
		Tasmania ...	3 pkgs.	27 pkgs.	30 pkgs.	8	381	389	
		New Zealand ...	2 "	488 "	490 "	38	8,150	8,188	
		Queensland ...	3 "	955 "	958 "	28	14,420	14,448	
		South Sea Islands...	8 "	8 "	73	73	
		New Caledonia	9 "	9 "	66	66	
		Honolulu	1 pkg.	1 pkg.	25	25	
		Fiji Islands	66 pkgs.	66 pkgs.	1,071	1,071	
		13 pkgs.	1,627 pkgs.	1,640 pkgs.	90	24,880	24,970		
Stationery.	Building	Victoria ...	527 blocks	527 blocks	376	376	
		South Australia ...	1,037 "	1,037 "	1,652	1,652	
		New Zealand ...	10 "	10 "	30	30	
		Queensland ...	1,165 "	1,165 "	1,143	1,143	
		Fiji Islands ...	9 "	9 "	10	10	
		2,748 blocks	2,748 blocks	3,211	3,211		
Stones.	Grind ...	Queensland	365 No.	224	224		
		South Sea Islands...	3 "	4	4		
		New Caledonia	37 "	14	14		
		Fiji Islands	21 "	19	19		
				426 No.	261	261	
Stones.	Mill ...	New Caledonia	1 No.	2	2		
Stones.	Grave ...	Queensland ...	24 No.	24 No.	174	174	
		South Sea Islands...	7 "	7 "	82	82	
		Fiji Islands ...	25 "	25 "	238	238	
		Western Australia..	2 "	2 "	7	7	
				58 No.	58 No.	501	501
Sugar.	Raw ...	Great Britain	213 cwt.	213 cwt.	384	384	
		Victoria	1,241½ "	1,241½ "	1,625	1,625	
		South Australia	190 "	190 "	310	310	
		Tasmania	56½ "	56½ "	94	94	
		Carried forward...	1,700½ cwt.	1,700½ cwt.	2,413	2,413	

STATISTICS—1878.

131

EXPORTS—continued.

Articles.	Countries to which Exported.	Quantities.			Value.				
		Produce and Manufacture of the Colony.	British, Foreign, and other Colonial Produce and Manufacture.	Total.	Produce and Manufacture of the Colony.	British, Foreign, and other Colonial Produce and Manufacture.	Total.		
Sugar contd.	Brought forward...		1,700½ cwt.	1,700½ cwt.	£	£	£		
	New Zealand	2,474 "	2,474 "	2,474 "	3,951	3,951	3,951		
	Queensland	675¼ "	675¼ "	675¼ "	1,109	1,109	1,109		
	South Sea Islands...	580¼ "	580¼ "	580¼ "	931	931	931		
	New Caledonia	4,080 "	4,080 "	4,080 "	6,350	6,350	6,350		
	Fiji Islands	80¾ "	80¾ "	80¾ "	132	132	132		
	San Francisco	122¾ "	122¾ "	122¾ "	204	204	204		
	Hong Kong	152¾ "	152¾ "	152¾ "	246	246	246		
	China	13¼ "	13¼ "	13¼ "	22	22	22		
	Singapore	32¼ "	32¼ "	32¼ "	49	49	49		
	Ceylon	17¾ "	17¾ "	17¾ "	27	27	27		
	Japan	6½ "	6½ "	6½ "	11	11	11		
	Java	16½ "	16½ "	16½ "	23	23	23		
	Petropaulovski	11¼ "	11¼ "	11¼ "	19	19	19		
	New Guinea	47¾ "	47¾ "	47¾ "	66	66	66		
	Honolulu	3½ "	3½ "	3½ "	6	6	6		
	Callao	4¾ "	4¾ "	4¾ "	7	7	7		
	Valparaiso	6¼ "	6¼ "	6¼ "	11	11	11		
	Lacepede Islands...	2 "	2 "	2 "	3	3	3		
	Japan	18 "	18 "	18 "	28	28	28		
				10,046 cwt.	10,046 cwt.		15,608	15,608	
	Refined	Great Britain		15½ cwt.	15½ cwt.		44	44	
		Victoria		7¼ "	7¼ "		27	27	
		New Zealand	82,289 cwt.	4 "	4 "	132,222	12	132,234	
		Queensland	890 "	19½ "	909½ "	1,458	51	1,509	
		South Sea Islands...	5 "	40½ "	45½ "	9	67	76	
		New Caledonia	727 "	346¼ "	1,073¼ "	1,195	923	2,118	
		Fiji Islands	29¼ "	13 "	42¼ "	50	38	88	
		San Francisco	132¼ "	8½ "	140¾ "	204	23	227	
				84,072½ cwt.	454½ cwt.	84,527 cwt.	135,138	1,185	136,323
	Sulphur	Queensland		23 cwt.	23 cwt.		19	19	
	Sundries	Great Britain	1,126 pkgs.	498 pkgs.	1,624 pkgs.	3,751	3,360	7,111	
		Victoria	1,088 "	1,033 "	2,121 "	12,465	6,627	19,092	
		South Australia	20 "	80 "	100 "	77	565	642	
		Tasmania	42 "	82 "	124 "	57	378	435	
New Zealand		44 "	310 "	354 "	309	1,987	2,296		
Queensland		865 "	2,623 "	3,488 "	1,685	8,170	9,855		
South Sea Islands...		79 "	270 "	349 "	331	2,274	2,605		
New Caledonia		80 "	167 "	247 "	260	683	943		
Fiji Islands		44 "	273 "	317 "	254	936	1,190		
Hong Kong		2 "	308 "	310 "	20	769	789		
San Francisco		9 "	13 "	22 "	67	88	155		
Honolulu			1 pkg.	1 pkg.		4	4		
Western Australia...			1 "	1 "		4	4		
Mauritius		1 pkg.		1 "	2		2		
New Guinea		35 pkgs.	35 pkgs.		95	95			
Java	2 pkgs.		2 "	6		6			
		3,402 pkgs.	5,694 pkgs.	9,096 pkgs.	19,284	25,940	45,224		
Tallow	Great Britain	52,130½ cwt.	1,291 cwt.	53,421½ cwt.	85,383	1,942	87,325		
	Victoria	5,814½ "		5,814½ "	7,571		7,571		
	South Australia	1,240 "		1,240 "	1,713		1,713		
	Tasmania	4 "		4 "	7		7		
	Queensland	121 "		121 "	270		270		
	New Caledonia	21 "		21 "	32		32		
	Mauritius	490 "		490 "	720		720		
Hong Kong	214 "		214 "	380		380			
		60,035 cwt.	1,291 cwt.	61,326 cwt.	96,076	1,942	98,018		
Tea	Great Britain		10,656 lbs.	10,656 lbs.		977	977		
	Victoria		188,092 "	188,092 "		13,308	13,308		
	South Australia		3,271 "	3,271 "		290	290		
	Tasmania		998 "	998 "		82	82		
	New Zealand		262,625 "	262,625 "		21,683	21,683		
	Queensland		361,750 "	361,750 "		28,823	28,823		
	South Sea Islands...		8,212 "	8,212 "		615	615		
	New Caledonia		21,524 "	21,524 "		1,692	1,692		
	Fiji Islands		17,914 "	17,914 "		1,454	1,454		
	San Francisco		2,789 "	2,789 "		211	211		
	Hong Kong		1,350 "	1,350 "		99	99		
	China		120 "	120 "		7	7		
Valparaiso		42 "	42 "		3	3			
New Guinea		626 "	626 "		49	49			
	Carried forward...		879,975 lbs.	879,975 lbs.		69,293	69,293		

EXPORTS—continued.

Articles.	Countries to which Exported.	Quantities.			Value.			
		Produce and Manufacture of the Colony.	British, Foreign, and other Colonial Produce and Manufacture.	Total.	Produce and Manufacture of the Colony.	British, Foreign, and other Colonial Produce and Manufacture.	Total.	
Tea—continued	Brought forward...		879,975 lbs.	879,975 lbs.	£	£ 69,293	£ 69,293	
	Ceylon ...		92 "	92 "		9	9	
	Java ...		156 "	156 "		13	13	
	Manila ...		44 "	44 "		4	4	
	Japan ...		91 "	91 "		7	7	
	Lacepede Islands...		24 "	24 "		2	2	
	Nagapatam ...		12 "	12 "		1	1	
	Singapore ...		804 "	804 "		52	52	
	Callao ...		109 "	109 "		8	8	
				881,307 lbs.	881,307 lbs.		69,389	69,389
Telegraphic Materials	Great Britain ...		1 pkgs.	1 pkgs.		20	20	
	South Australia ...		50 "	50 "		250	250	
	Queensland ...		80 "	80 "		270	270	
				131 pkgs.	131 pkgs.		540	540
Timber.	Dressed and Undressed	Great Britain ...		5,748 feet	5,748 feet		64	64
		Victoria ...	1,236,387 feet	290,144 "	1,526,531 "	8,436	2,936	11,372
		South Australia ...	900,322 "	70,170 "	970,492 "	7,588	695	8,283
		New Zealand ...	1,265,006 "		1,265,006 "	13,496		13,496
		Queensland ...	321,242 "	4,400 feet	325,642 "	1,798	44	1,842
		South Sea Islands...	192,116 "	19,099 "	211,215 "	2,039	190	2,229
		New Caledonia ...	30,250 "	14,620 "	44,870 "	294	137	431
		Honolulu ...	1,279 "		1,279 "		14	14
		Fiji Islands ...	150,200 "	1,000 feet	151,200 "	1,368	12	1,380
		Petropaulovski ...		3,000 "	3,000 "		29	29
			4,096,802 feet	408,181 feet	4,504,983 feet	35,933	4,107	39,140
	Shingles	Victoria ...		1,350 No.	1,350 No.	4		4
		South Sea Islands...		59,000 "	59,000 "	102		102
		Fiji Islands ...		1,000 "	1,060 "	2		2
				61,350 No.	61,350 No.	108		108
Palings	Victoria ...		100 No.	100 No.	1		1	
	Queensland ...		7,633 "	23,663 "	55	121	176	
	New Caledonia ...		10,500 "	10,500 "	84		84	
	Fiji Islands ...		300 "	300 "	2		2	
			18,533 No.	34,563 No.	142	121	263	
Laths	South Sea Islands...		269 bndls.	269 bndls.		30	30	
	Fiji Islands ...		607 "	607 "		143	143	
			876 bndls.	876 bndls.		173	173	
Treenails	Great Britain ...		14,656 No.	14,656 No.	68		68	
Spars, Poles, &c.	South Sea Islands...		30 No.	30 No.	84		84	
Ingots	Great Britain ...		99,737½ cwt.	111,091½ cwt.	298,175	35,389	333,564	
	Victoria ...		11,696½ "	11,696½ "	34,854		34,854	
	South Australia ...		129 "	129 "	393		393	
	New Zealand ...		227½ "	227½ "	696		696	
	Queensland ...		4,285 "	4,285 "	10,716		10,716	
	San Francisco ...		5,521¼ "	5,521¼ "	16,929		16,929	
	Fiji Islands ...		2 "	2 "	6		6	
	Hong Kong ...		21 "	21 "	63		63	
	Mauritius ...		80 "	80 "	240		240	
				121,700 cwt.	11,354 cwt.	133,054 cwt.	362,972	35,389
Plates	Victoria ...		19 boxes	19 boxes		33	33	
	New Zealand ...		120 "	120 "		189	189	
	Queensland ...		129 "	129 "		226	226	
	New Caledonia ...		3 "	3 "		7	7	
			271 boxes	271 boxes		455	455	
Ore	Great Britain ...		300 cwt.	300 cwt.	450		450	
	Victoria ...		50 "	50 "	90		90	
	Tasmania ...		21 cwt.	21 "		27	27	
	Queensland ...		22,140 cwt.	22,140 "	33,210		33,210	
			22,490 cwt.	21 cwt.	22,511 cwt.	33,750	27	33,777
Slag	Great Britain:		405 tons	405 tons	1,335		1,335	

STATISTICS—1878.

133

EXPORTS—continued.

Articles.	Countries to which Exported.	Quantities.			Value.			
		Produce and Manufacture of the Colony.	British, Foreign, and other Colonial Produce and Manufacture.	Total.	Produce and Manufacture of the Colony.	British, Foreign, and other Colonial Produce and Manufacture.	Total.	
Tinware ...	Victoria ...	1 pkg.	8 pkgs.	9 pkgs.	£ 1	£ 16	£ 17	
	New Zealand ...	1 "	1 "	2 "	2	8	10	
	Queensland ...	39 pkgs.	20 "	59 "	220	103	323	
	South Sea Islands...	6 "	2 "	8 "	46	7	53	
	Fiji Islands ...	10 "	1 "	11 "	23	11	34	
		57 pkgs.	32 pkgs.	89 pkgs.	292	145	437	
Manufactured ...	Great Britain ...		1,643 lbs.	1,643 lbs.		110	110	
	Victoria ...		37,895 "	37,895 "		2,705	2,705	
	South Australia ...		4,777 "	4,777 "		358	358	
	Tasmania ...		832 "	832 "		60	60	
	New Zealand ...		54,052 "	54,052 "		4,370	4,370	
	Queensland ...	185 lbs.	203,398 "	203,583 "	17	16,202	16,219	
	South Sea Islands...		88,684 "	88,684 "		5,306	5,306	
	New Caledonia ...		63,727 "	63,727 "		3,988	3,988	
	Fiji Islands ...		4,087 "	4,087 "		312	312	
	Hong Kong ...		2,292 "	2,292 "		143	143	
	China ...		684 "	684 "		44	44	
	Mauritius ...		255 "	255 "		14	14	
	Japan ...		648 "	648 "		53	53	
	Java ...		6,024 "	6,024 "		323	323	
	Singapore ...		156 "	156 "		10	10	
	Petropaulovski ...		216 "	216 "		11	11	
	Ceylon ...		447 "	447 "		29	29	
	San Francisco ...		2,863 "	2,863 "		178	178	
	Manila ...		557 "	557 "		38	38	
	Callao ...		185 "	185 "		13	13	
	Madras ...		265 "	265 "		16	16	
	Nagapatam ...		66 "	66 "		6	6	
	New Guinea ...		833 "	833 "		55	55	
	Valparaiso...		390 "	390 "		24	24	
	Honolulu ...		61 "	61 "		6	6	
			185 lbs.	475,937 lbs.	475,222 lbs.	17	34,374	34,391
	Tobacco. Leaf ...	Victoria ...		8,278 lbs.	8,278 lbs.		383	383
New Zealand ...			759 "	759 "		37	37	
Queensland ...			120 "	120 "		7	7	
New Caledonia ...			8,763 "	8,763 "		414	414	
			17,920 lbs.	17,920 lbs.		841	841	
Cigars ...	Great Britain ...		524 lbs.	524 lbs.		172	172	
	Victoria ...		5,170 "	5,170 "		1,440	1,440	
	South Australia ...		1,607 "	1,607 "		421	421	
	Tasmania ...		187 "	187 "		101	101	
	New Zealand ...		15,706 "	15,706 "		5,690	5,690	
	Queensland ...		8,707 "	8,707 "		3,351	3,351	
	South Sea Islands...		726 "	726 "		276	276	
	New Caledonia ...		2,770 "	2,770 "		1,034	1,034	
	Fiji Islands ...		961 "	961 "		391	391	
	Petropaulovski ...		36 "	36 "		14	14	
	San Francisco ...		185 "	185 "		66	66	
	Honolulu ...		7 "	7 "		3	3	
	China ...		7 "	7 "		2	2	
	Japan ...		54 "	54 "		25	25	
	Java ...		30 "	30 "		14	14	
Hong Kong ...		55 "	55 "		21	21		
Madras ...		14 "	14 "		6	6		
Valparaiso ...		15 "	15 "		7	7		
			36,761 lbs.	36,761 lbs.		13,034	13,034	
Tortoiseshell...	Great Britain ...		3,018 lbs.	3,018 lbs.		1,988	1,988	
	Hong Kong ...		308 "	308 "		123	123	
				3,326 lbs.	3,326 lbs.		2,111	2,111
Toys and Fancy Goods	Great Britain ...		14 pkgs.	14 pkgs.		450	450	
	Victoria ...		211 "	211 "		4,360	4,360	
	South Australia ...		28 "	28 "		356	356	
	Tasmania ...		110 "	110 "		2,341	2,341	
	New Zealand ...		361 "	361 "		8,751	8,751	
	Queensland ...		1,868 "	1,868 "		37,924	37,924	
	South Sea Islands...		46 "	46 "		366	366	
	New Caledonia ...		84 "	84 "		1,040	1,040	
	Fiji Islands ...		193 "	193 "		3,986	3,986	
Honolulu ...		10 "	10 "		413	413		
			2,925 pkgs.	2,925 pkgs.		59,987	59,987	

EXPORTS—continued.

Articles.	Countries to which Exported.	Quantities.			Value.		
		Produce and Manufacture of the Colony.	British, Foreign, and other Colonial Produce and Manufacture.	Total.	Produce and Manufacture of the Colony.	British, Foreign, and other Colonial Produce and Manufacture.	Total.
Turpentine ...	Great Britain ...		5 galls.	5 galls.	£	£	£
	Victoria ...		8 "	8 "		1	1
	South Australia ...		40 "	40 "		2	2
	Queensland ...		1,137 "	1,137 "		8	8
	South Sea Islands...		38 "	38 "		234	234
	New Caledonia ...		759 "	759 "		9	9
	Fiji Islands ...		34 "	34 "		175	175
	San Francisco ...		16 "	16 "		7	7
			2,037 galls.	2,037 galls.		4	4
			2,037 galls.	2,037 galls.		440	440
Turnery & Woodware	Victoria ...	4 pkgs.	102 pkgs.	106 pkgs.	8	320	328
	South Australia ...		5 "	5 "		14	14
	Tasmania ...		33 "	33 "		74	74
	New Zealand ...		15 "	15 "		77	77
	Queensland ...	230 pkgs.	683 "	913 "	219	987	1,206
	South Sea Islands...	104 "	76 "	180 "	329	288	617
	New Caledonia ...	72 "	56 "	128 "	133	107	240
	Honolulu ...		1 "	1 "		8	8
Fiji Islands ...	352 pkgs.	217 "	569 "	758	407	1,165	
		762 pkgs.	1,188 pkgs.	1,950 pkgs.	1,447	2,282	3,729
Upholstery ...	Victoria ...	8 pkgs.		8 pkgs.	25		25
	New Zealand ...		1 pkg.	1 "		12	12
	Queensland ...	22 pkgs.	38 pkgs.	60 "	124	224	348
	South Sea Islands...	9 "	2 "	11 "	42	13	55
	New Caledonia ...		1 "	1 "		5	5
		39 pkgs.	42 pkgs.	81 pkgs.	191	254	445
Varnish ...	Queensland ...		446 galls.	446 galls.		191	191
	Fiji Islands ...		18 "	18 "		11	11
	New Caledonia ...		14 "	14 "		13	13
	Singapore ...		41 "	41 "		20	20
				519 galls.	519 galls.		235
Vermicelli, Macaroni, and Tapioca	Victoria ...		4 pkgs.	4 pkgs.		27	27
	Tasmania ...		6 "	6 "		16	16
	New Zealand ...		7 "	7 "		17	17
	Queensland ...		57 "	57 "		211	211
	South Sea Islands...		4 "	4 "		17	17
	Fiji Islands ...		1 "	1 "		4	4
			79 pkgs.	79 pkgs.		292	292
Vinegar ...	Great Britain ...		78 galls.	78 galls.		5	5
	Victoria ...		79 "	79 "		6	6
	South Australia ...		357 "	357 "		32	32
	Tasmania ...		25 "	25 "		1	1
	New Zealand ...		3,722 "	3,722 "		297	297
	Queensland ...	260 galls.	5,784 "	6,044 "	13	715	728
	South Sea Islands...		186½ "	186½ "		31	31
	New Caledonia ...	2,320 galls.	297½ "	2,617½ "	113	34	147
	Fiji Islands ...	35 "	423½ "	458½ "	2	74	76
	Hong Kong ...		39 "	39 "		6	6
	San Francisco ...		106½ "	106½ "		20	20
	Singapore ...		33 "	33 "		6	6
	Callao ...		24 "	24 "		2	2
	New Guinea ...		34 "	34 "		3	3
	Valparaiso ...		25 "	25 "		2	2
		2,615 galls.	11,214 galls.	13,829 galls.	128	1,234	1,362
Watches and Clocks...	Great Britain ...		4 pkgs.	4 pkgs.		300	300
	Victoria ...		7 "	7 "		327	327
	South Australia ...		1 "	1 "		4	4
	Tasmania ...		47 "	47 "		298	298
	New Zealand ...		31 "	31 "		279	279
	Queensland ...		298 "	298 "		2,086	2,086
	South Sea Islands...		2 "	2 "		6	6
	New Caledonia ...		9 "	9 "		55	55
Fiji Islands ...		33 "	33 "		157	157	
Honolulu ...		4 "	4 "		18	18	
			436 pkgs.	436 pkgs.		3,530	3,530
Whalebone	Great Britain ...		1,992 lbs.	1,992 lbs.		270	270
	Queensland ...		52 casks	52 casks		42	42
	New Caledonia ...		37 "	37 "		29	29
	Fiji Islands ...		10 "	10 "		8	8
Whiting and Chalk ...			99 casks	99 casks		79	79

STATISTICS—1878.

135

EXPORTS—continued.

Articles.	Countries to which Exported.	Quantities.			Value.			
		Produce and Manufacture of the Colony.	British, Foreign, and other Colonial Produce and Manufacture.	Total.	Produce and Manufacture of the Colony.	British, Foreign, and other Colonial Produce and Manufacture.	Total.	
Wine	Great Britain ...	1,121 galls.	755 galls.	1,876 galls.	£ 471	£ 966	£ 1,437	
	Victoria ...	893 "	2,884 "	3,777 "	371	2,420	2,791	
	South Australia	507 "	507 "	344	344	
	Tasmania ...	159 galls.	409 "	568 "	57	229	286	
	New Zealand ...	2,345 "	4,541 "	6,886 "	1,198	2,986	4,184	
	Queensland ...	4,607 "	21,007 "	25,614 "	2,393	11,593	13,986	
	South Sea Islands...	270 "	1,764 "	2,034 "	99	1,051	1,150	
	New Caledonia ...	31 "	8,322 "	8,353 "	25	2,106	2,131	
	Fiji Islands ...	305 "	964 "	1,269 "	160	731	891	
	Hong Kong	121 "	121 "	125	125	
	Honolulu	21 "	21 "	23	23	
	San Francisco ...	12 galls.	595 "	607 "	10	608	618	
	China	6 "	6 "	7	7	
	Petropaulovski	6 "	6 "	6	6	
	Singapore ...	20 galls.	14 "	34 "	10	21	31	
	Madras ...	8 "	8 "	8	8	
	New Guinea	4 galls.	4 "	4	4	
	Ceylon ...	2 galls.	4 "	6 "	2	3	5	
	Bombay ...	136 "	136 "	70	70	
	Japan ...	8 "	2 galls.	10 "	6	2	8	
Java ...	22 "	6 "	28 "	11	6	17		
Valparaiso	4 "	4 "	3	3		
Tuticorin	2 "	2 "	2	2		
Mauritius ...	30 galls.	30 "	19	19		
		9,969 galls.	41,938 galls.	51,907 galls.	4,910	23,236	28,146	
Wool ...	(Washed and Scoured)	Great Britain ...	20,693,036 lbs.	2,030,623 lbs.	22,723,659 lbs.	1,450,750	140,208	1,590,958
	Victoria ...	15,412,558 "	15,412,558 "	922,172	922,172	
	South Australia ...	6,275,688 "	6,275,688 "	470,593	470,593	
	Queensland ...	55,337 "	55,337 "	5,702	5,702	
	Japan ...	30,700 "	30,700 "	2,150	2,150	
		42,467,319 lbs.	2,030,623 lbs.	44,497,942 lbs.	2,851,367	140,208	2,991,575	
	(Greasy)	Great Britain ...	33,729,283 lbs.	2,109,838 lbs.	35,839,121 lbs.	1,426,658	95,420	1,522,078
Victoria ...	29,295,383 "	22,452 "	29,317,835 "	1,231,227	902	1,232,129		
South Australia ...	6,106,991 "	6,106,991 "	203,581	203,581		
Queensland ...	234,041 "	234,041 "	10,483	10,483		
San Francisco	10,000 lbs.	10,000 "	360	360		
		69,365,698 lbs.	2,142,290 lbs.	71,507,988 lbs.	2,871,949	96,682	2,968,631	
Woolpacks ...	Victoria	14 bales	14 bales	92	92	
	South Australia	2 "	2 "	20	20	
	New Zealand	2 "	2 "	23	23	
	Queensland	47 "	47 "	421	421	
	New Caledonia	2 "	2 "	18	18	
Fiji Islands	22 "	22 "	172	172		
		89 bales	89 bales	746	746	
Yellow Metal.	Sheet	New Zealand	1 case	1 case	17	17
	Queensland	59 "	59 "	871	871	
	New Caledonia	21 "	21 "	286	286	
	Fiji Islands	12 "	12 "	199	199	
			93 cases	93 cases	1,373	1,373
Nails	New Zealand	2 pkgs.	2 pkgs.	11	11	
Queensland	11 "	11 "	59	59		
Fiji Islands	2 "	2 "	10	10		
		15 pkgs.	15 pkgs.	80	80	
Zinc ...	Victoria	8 cwt.	8 cwt.	12	12	
	South Australia	2 "	2 "	4	4	
	New Zealand	10 "	10 "	15	15	
	Queensland	106 "	106 "	182	182	
	New Caledonia	109 "	109 "	186	186	
Fiji Islands	15 "	15 "	23	23		
South Sea Islands...	10 "	10 "	15	15		
		260 cwt.	260 cwt.	437	437	
(Spelter)	Great Britain ...	183 cwt.	183 cwt.	117	117	
Queensland	20 cwt.	20 "	30	30	
		183 cwt.	20 cwt.	203 cwt.	117	30	147	
TOTAL VALUE OF EXPORTS ...					£ 10,716,511	2,249,368	12,965,879	

IMPORTS AND EXPORTS.

(DECENNIAL RETURNS.)

NOMENCLATURE of Articles which appeared under separate headings in the Imports and Exports for the years 1869 to 1877 inclusive, and which have been classed in the following Decennial Tables under general headings, as adopted in the Returns of 1878.

Headings abolished.	Now classed under.
Cordials, Cider	Aerated Waters, &c.
Rattans and Canes, Willows	Baskets and Basketware.
Dynamite, Lithofracteur, Pyrolignoine	Blasting Powder.
Lime	Building Materials.
Twine and Thread	Cordage and Rope.
Blankets and Counterpanes, Canvas (except ships' canvas), Cottons, Haberdashery, Hats, Caps, and Bonnets, Hosiery and Gloves, Linen and Drapery, Millinery, Silks, Um- brellas and Parasols, Woollens	Drapery—General.
Alkali, Soda, Apothecaries' Ware, Sulphur, Sulphate Ammonia	Drugs and Medicines.
Floor Cloth, Oil Cloth	Floor and Oil Cloth.
Air Bricks, Anvils, Brassware, Bellows—Smiths', Copperware, Holloware, Safes—Iron, Scythe Stones, Turkey Stones ...	Hardware.
Chaff..	Hay.
Iron Rails	Iron and Steel.
Copper—Old	Metal Old.
Patent Groats	Oatmeal.
Tongues	Preserved Meats and Extracts.
Canvas (for ships' use)	Ship Chandlery.
Casks—Empty	Shooks and Staves.
Bullets	Shot.
Maps, Slates—Manufactured—School	Stationery—Sundries.
Bathbricks, Cabbage-tree, Candlewick, Church Ornaments, Cotton Waste, Curiosities, Dyers' Materials, Furs, Hide Cuttings, Missionary Stores, Perambulators, Rags, Stone- ware, Tarpaulins	Sundries.
Cedar, Deals, Hardwood, Pine (Dressed and Rough), Spars ...	Timber—Dressed and Undressed.
Perfumery	Toys and Fancy Goods.
Bedding, Flock, Carpets and Rugs, Hair (Horse and Cow) ...	Upholstery.
Onions	Vegetables—Green. (In Imports only.)
Muntz Metal	Yellow Metal.
Muntz Nails	Yellow Metal Nails.

STATISTICS—1878.

137

IMPORTS.

No. 58.—DECENNIAL RETURN of IMPORTS into the Colony.

Articles	Quantity and Value.	1869.	1870.	1871.	1872.	1873.	1874.	1875.	1876.	1877.	1878.	
Acids	Cases £	529 2979	657 3633	626 2148	413 1586	1367 7591	262 863	33 110	615 3450	1769 8185	2156 10634	
Agricultural Implements ...	Packages £	1051 7930	1108 8961	724 6778	1121 11480	1129 11270	1034 13163	2009 15541	1038 16737	4709 32411	4872 43144	
Aerated Waters	Galls. Cases & pkgs. £	725 126	626 207 424	159 148 306	830 475 979	2042 803 1655	259 3054 1805	1112 6963 5668	833 4251 2768	60 8973 6529 6727 7253	
Anchors... ..	No. £	292 495	514 324	739 897	367 552	563 1169	626 1885	879 3125	300 745	183 425	873 1111	
Antimony Ore	Tons £	21 378	1 60	118 543	113 1105	
Apparel and Slops	Packages £	9301 304210	6490 228546	4832 180061	6168 236939	8200 352195	7991 336014	9911 405365	12776 514389	10411 398036	18793 643287	
Arrowroot (and Sago from 1869 to 1875 inclusive.)	Packages Cwt. £	1110 1249	1535 1885	973 1324	727 1396	3551 5411	2159 3789 3119	1733 1156 1519 1841
Arms and Ammunition—												
Guns	Cases £	331 4086	325 4923	457 6647	589 19208	235 6974	333 9093	450 11926	382 11564	644 10530	908 22005	
Battery Guns	No. £	20 17000	22 10650	
Powder (Sporting and Blasting)	lbs. £	704495 16129	337379 10693	356932 9915	911181 31263	878290 32805	295925 8300	732312 22468 16300 565383 627576	
Powder (Blasting)... ..	lbs. £ 8850 16300 2105 16805 48097	
Powder (Sporting)	lbs. £ 130443 51628 220487	
Cartridges... ..	Cases £	159 1002	57 613	67 771	186 4742	773 8074	501 5850	764 5394	502 2690	1137 6637	2353 7838	
Shot	Cwt. £	3441 4086	2049 2698	1873 2109	5557 5819	1771 3763	1864 2587	2634 3547	4406 6024	4499 5389	7778 9874	
Shot for Cannon	No. £	2233 1077	450 970	
Swords	Cases £	10 178	4 82	14 237	6 103	1 10	10 217	2 67	6 151	
Bullets	Cases £	3 16	
Caps	Cases £	40 674	43 932	47 814	59 1308	80 1902	29 511	45 1055	37 824	69 1234	60 1134	
Shells... ..	No. £	1220 9195	400	
Bags and Sacks	Doz. Bales £ 4076 32632 3511 22999 2111 13443 1276 11726 4069 46932 12838 49134 13941 20590 1777 14158 18170 13330 23596	
Bags (Gunny)	Doz. Bales £ 54 196 102 1019 927	
Bark	Tons £	35 144	538 1791	1244 4640	1722 6496	2468 8926	2523 12937	2587 18666	4251 30007	13061 25904	4491 30961	
Baskets and Basketware ...	Bundles Packages £ 157 1078 119 891 64 1025 211 1726 159 2473 1012 2146 1158 1574 834 1538 696 2412 755 3785	
Beche-le-mer	Tons £	24 608	57 2259	108 3911	212 13494	378 26015	607 39655	632 27937	128 8412	636 12315	284 19181	
Beer—												
In wood	Galls. £	1088568 137836	989024 127984	1243409 169990	961522 116592	1246284 174716	1227333 141669	718371 91050	973614 126242	893085 109331	453730 55640	
In bottle	Galls. £	571909 127152	428076 92471	323626 67857	330811 65869	536825 113536	517467 117958	630784 133069	351011 73335	549542 122196	649784 146571	
Biscuits	lbs. £	
Blacking	Packages £	1144 3323	1688 4919	1024 2575	1725 4310	1531 3624	1218 3038	2476 5705	1539 4735	1787 4695	1353 3618	
Blue	lbs. £ 259442 184887 249964	
Boats	No. £	4 277	15 310	12 207	4 712	13 249	13 481	10 332	12 722	33 1127	33 737	
Bone Dust	Tons £	
Bran	Bushels £	15005 585	19498 1013	98260 4189	47253 2406	14828 870	39997 3160	196550 12478	257203 17924	257270 16619	246406 17121	
Bricks—												
Fire	No. £	221600 839	320339 1092	46132 197	476470 2461	595294 4153	164515 964	707417 3902	698432 3974	314089 1776	647952 2728	
Building	No. £	
Brushware	Packages £	782 12658	606 11503	2218 13224	632 11762	834 15559	904 12704	1009 18083	1245 19700	2124 22802	2527 25045	
Butter and Cheese	Cwt. £	1832 6611	2995 11742	1683 6145	1533 9331	2285 9569	1586 7789	2898 15288	
Butter	Cwt. £ 6500 6373 4035	
Candles	lbs. £	1692247 62531	1441569 50648	1461029 50931	1400046 49727	1741318 61775	3558139 126870	2410392 60421	1660676 58313	3194512 112952	1788882 72624	
Candle-nuts	Cwt. £	

NOTE.—The years 1869 to 1876 are exclusive of the Overland trade.

IMPORTS—DECENNIAL RETURN—continued.

Articles.	Quantity and Value.	1869.	1870.	1871.	1872.	1873.	1874.	1875.	1876.	1877.	1878.
Carriages	No.	115	85	30	58	65	114	109	190	980	533
	£	3385	7109	2383	4631	7225	8608	8601	14002	31474	26971
Carriage and Cart Makers' Materials	Packages	1212	2613	1209	951	852	1588	1410	1301	9919	3580
	£	7437	19644	13891	10024	4915	12461	8295	17135	39686	13280
Carts, Drays, and Waggon's	No.	1	1	10	2	27	18	193	483	286
	£	30	12	137	60	800	542	6682	18868	5373
Cement	Barrels	27039	12636	19035	14995	21723	19014	23769	41464	43565	39642
	£	12795	5744	9357	7799	16913	14348	18154	34793	33320	28236
Chain Cable	Tons	82	138	281	98	368	198	271	260	338	485
	£	1312	1407	4421	1317	4276	4058	5753	3716	2508	4345
Cheese	lbs.	386623	711240	541919
	£	18018	29519	20112
Chicory	lbs.	338228	227655	344762	243850	443450	370296	297670	233408	466201	313010
	£	4000	2513	3446	2601	5033	4327	3403	2627	5461	3807
Chocolate and Cocoa	Cases	1450	1148	793	991	1572	1054	1709
	£	7712	6275	4987	5277	9074	6379	9987	9015	18436	15961
Chinese Goods	Packages
	£	325
Coal and Coke	Tons	76	77
	£	70	112
Cobalt Ore	Tons	146
	£	1,555
Cocoanuts	No.	258075	112470	101600	140086	139159	223254	87670	135930	167870	345239
	£	547	254	321	501	556	643	394	665	1270	1881
Coffee	Tons	226	302	196	75	207	218	263	220	324	239
	£	12494	26322	12449	5693	18089	24376	22215	25155	37106	27462
Confections and Preserves	Cases	18966	21210	19339	22826	34148	31173	89012
	£	38546	41742	40352	49883	63045	60435	64651
Confectionery	lbs.	330479	421352	233067
	£	12914	16089	12428
Coin—	Boxes	1	22	11	13	16	13	28	29	38	27
	£	5000	85772	4475	2769	76384	60008	114360	111130	106291	118533
Silver	Boxes	15	28	21	39	161	148	3	137	168	38
	£	5372	13613	12303	18634	14997	57835	410	53002	67622	8739
Copper	Boxes	28	161	17	1	52	8	250	12	265	50
	£	511	1181	436	34	1070	290	5000	114	1505	1000
Copper Ore	Tons	10121	10412	17382	23782	28207	23602	24778	26179	26669	24875
	£	61116	64241	111501	200689	226794	196144	227819	238920	221505	186645
Copper (refined)	Packages	616	334
	Tons	1490	2259	2090	1755	1327	1673	1708	425
Corks and Bungs	£	2892	1789	98362	205446	162545	147106	105459	129972	116206	24213
	Bales	565	1021	920	871	1188	1241	767	1136	1549	1518
Copra	£	3548	5207	6320	5276	8378	7695	5593	9798	12086	12583
	Tons	1033	2147	1009	948	1339	2139	5908	4216
Cordage and Rope	Bags	475
	£	9127	24998	10647	8984	15989	29504	39366	51527
Cotton (raw)	Bales	752	465	516
	£	6024	9027	4306
Cutlery	Cwt.	8155	9517	8432	12290	11601	17487	15904
	£	25630	19333	19676	22656	30765	25250	38506	32825	32670	45960
Dolomite	Bales	252	273	1571	3730	5297	3644	2841	743	1121	259
	£	2840	2496	35717	93776	108800	54690	38199	11089	13713	3691
Drapery, general (including Woollens)	Cases	459	500	582	585	692	434	549	630	880	940
	£	15491	16901	23231	28483	39593	21915	33411	36897	37232	39080
Earthenware and China	Tons	47	13
	£	53	14
Eggs (Emu)	Bales	1975	2342	1510	1344	2086	2344	2561	1738	2185
	£	31193	23768	22081	25668	37294	32667	42991	38651	50432	65349
Eggs	Packages	1311981	1179542	1191384	1481325	1927484	1877156	2226351	1969287	2504149	2717028
	£	1514	1379	956	2041	1546	1474	356	3690
Fireworks	Packages	16733	11485	10548	11100	17591	11581	20439	18307	14289	23856
	£	85451	62701	64801	84283	107644	94226	137410	116747	154443	122259
Felt	Packages	6632	2988	2914	5245	8707	5162	5386	8517	9660	11359
	£	40948	19818	22596	41787	75494	52671	56842	84973	67308	74270
Flour and Bread	Cases	6
	£	6
Fuze	Packages	21
	£	37
Flax and Hemp	Bales	313	162	188	184	246	221	305	274	426	281
	£	2275	1214	1193	1221	2801	2044	2686	1451	1931	1139
Floorcloth and Oilcloth	Cases	1171	398	741	1096	762	826	809	772	1385	1173
	£	1337	874	1014	1256	1089	1520	930	1770	2154	1652
Fluzé	Packages	436	392	267	310	510	714	795	515	1317	1034
	£	6525	6659	4409	5177	8830	12982	14532	7972	12511	14842
Fish— (Salt, Dried, and Preserved)	Casks	147	188	170	512	585	174	208	228	270	231
	£	1188	1388	1390	4496	5653	1339	1654	2131	2651	1851
Flour and Bread	Bales	5225	6754	5026	1418	3167	2990	2360	2539	1562	4344
	£	17474	18018	11096	3199	14794	13423	9951	9598	6382	15661
Fish— (Salt, Dried, and Preserved)	Bales	298	6130	8818	4158	1046	4885	6020	3628	8512	6572
	£	891	1865	1649	1577	2195	2886	3174	4286	2428	3249
Fish— (Salt, Dried, and Preserved)	lbs.	2333819	4207394	4063890
	Packages	6378	14304	66431	8024	17590	4797	7210
Flour and Bread	£	10256	18363	38625	17374	29874	9808	16118	77320	161970	133334
	Tons	16301	19395	18161	16814	17108	17394	25902	33993	21378	33174
Flour and Bread	£	232618	244682	255484	232191	228910	242709	313141	301774	339149	411007

STATISTICS—1878.

139

IMPORTS—DECENNIAL RETURN—continued.

Articles.	Quantity and Value.	1869.	1870.	1871.	1872.	1873.	1874.	1875.	1876.	1877.	1878.
Fruit—											
Dates	Tons. £	98	107	213
Dried... ..	Tons	1291	1074	1472	1416	1708	1386	2019	3366	3308	6111
	Packages	6	1621	2640	2201
	£	38729	36887	55405	44350	60105	45859	71208	62814	98454	74063
Bottled	Doz.	5436
	Cases	3283	4551	3486	1368	2476	3383	3531	3505	5067
	£	3202	4520	3187	1428	2511	4262	3391	3052	4816	2997
Green	Cases	52696	39040	57664	63049	51695	78383	88283	107873	93283	132095
	£	23372	17612	24731	23766	27213	33497	33989	49229	51705	55810
Preserved	Cases	2
	£	7
Furniture	Packages	5877	6103	3669	6034	10060	12697	9023	13894	13801	24620
	£	27910	30472	22155	35846	56285	63347	71211	81652	105435	144303
	Packages	1206	1302	2688	12509
Fungus	Bags	1178
	Bales	2624	1815	2755
	£	748	1105	3604	4569	8299	9428	6468	5896
Gasfittings	Packages	3500	4134	738	424	1203	1299	827	8227	1579	4907
	£	5917	9433	4713	5243	5570	9035	9657	12935	17308	14704
Ginger (Dried)	lbs.	127232
	£	3911
Glass—											
Window	Boxes	6269	6766	4682	3775	5848	10073	10491	10331	9094	9426
	£	6532	9835	7102	5517	14910	11506	18026	16056	16650	13059
Glassware	Packages	5149	4015	4142	3212	5845	5926	5171	8873	11565	12105
	£	17928	15927	20143	19946	33630	32290	32657	42841	54358	51407
Locking	Cases	271	320	363	273	403	212	226	364	394	553
	£	2268	3298	4178	4186	6476	4306	4064	6715	6351	9655
Plate	Cases	72	11	61	85	155	149	56	321	261	279
	£	2672	408	1347	3429	4595	8176	3215	9161	5249	8233
Glue	Packages	44	33	31	12	56	92	113	35	113	160
	£	240	166	273	137	346	325	388	551	1359	740
Gold—											
Dust	Ozs.	214363	235683	606386	295710	234545	341458	347068	393565	314564	273999
	£	838828	889319	2283629	1142488	886129	1303529	1347932	1175373	1098592	1064877
Leaf	Cases	9	5	21	24	25	24	21	15	26	50
	£	300	149	691	748	916	776	1273	540	1042	1788
Grain and Pulse—											
Wheat	Bushels	777408	569638	1041496	631299	818845	740019	1083773	918005	823526	780604
	£	202704	142344	286164	171168	179486	214851	239841	225052	271218	213835
Barley	Bushels	8587	12424	1042	192	35273	17393	72044	20840	35104	35104
	£	2054	1445	2328	240	51	8237	4045	20899	3127	7210
Oats	Bushels	15573	17999	21564	20146	1459	50283	85017	186480	215193	110736
	£	2392	2462	3787	2751	263	10749	16369	28677	43835	22951
Maize	Bushels	2015	3682	5598	2910	1500	507	4380	51839	49747	33862
	£	336	437	656	386	175	142	1031	8953	12443	7920
Maize Flour, or Maizena	lbs.	112241	157859	117832
	Cases	1000	676	1258	1764	2316	676	855
	£	490	496	1554	1760	2238	930	629	2583	3836	3025
Rice	Tons	2621	2375	3561	3224	4982	4879	3744	2578	3576	6080
	£	47091	48041	68794	66227	98305	89825	64019	42055	69465	90036
	Packages	48	104
Beans... ..	Bushels	1447	1490
	Bags	241	187	280	192	175
	£	161	66	121	103	66	234	6	107	181	334
	Packages	1345	1589
Pease (Dried and Split)	Bags	55	20
	Brls. & kegs	977	874	1146	374	1093	438	1089	1855
	£	1161	917	1158	355	1051	494	976	1153	1511	2491
Pollard	Bushels	768	7557	12520	5327	39752	37088	7362	38102
	£	63	348	741	397	2176	2367	527	3137
	Bushels	590
Sharps	Tons	53	75	39	5	31
	£	445	832	268	27	48	215
Grindery	Packages	774	1953	906	890	1141	1138	1470	921	1273	1034
	£	8857	14144	11518	11961	14494	14012	14402	14919	25124	21227
Guano	Tons	172	10	300	62	1218	24	166	50	13	100
	£	694	50	4200	688	13112	317	2278	200	70	572
Gum	Packages	137	155	1448	775	694	101	235	183	176	372
	£	551	763	2892	3715	1105	929	734	1631	1999	2871
Grease	Tons	38	38	29	18	10	26	35	34	41	105
	£	444	809	368	463	144	346	571	504	593	1043
	No.	611	591	314	1131	1265	344	175	183	292
Hardware	Packages	29354	29314	28028	19042	30899	30944	44245	47579	64690	93488
	Casks	33	12	2	24	159	15	46
	£	146595	145493	136691	164605	251217	246861	373572	360159	357634	462198
Hay and Chaff	Tons	80	657	910	956	311	217	3668	13358	8531	4628
	£	301	2388	3769	4519	1194	1143	24086	87455	45054	23364
Hoofs and Bones	Cwt.	616	2112	1765
	£	585	989	1051
Hoofs, Horns, and Bones	Tons	20	109	80	85	141	462	46
	£	102	261	401	952	1480	829	995
Horns	No.	16620	28311	43810
	£	183	496	442

IMPORTS—DECENNIAL RETURN—*continued.*

Articles.	Quantity and Value.	1869.	1870.	1871.	1872.	1873.	1874.	1875.	1876.	1877.	1878.
Hops	lbs. £	205345 6806	155894 8082	303229 14528	212974 9933	340544 16931	283008 17056	308573 26465	570088 36864	575364 37535	698686 36012
Instruments—											
Musical	Cases £	672 17482	765 20492	712 21429	843 24816	1320 38366	1498 43468	1710 51306	1978 63398	3459 111425	2858 117430
Surgical	Cases £	31 693	49 1060	46 1369	24 741	46 825	55 1366	74 2501	82 2034	112 3780	125 3933
Scientific	Cases £	72 2203	95 2582	106 2875	70 2676	112 4456	197 6493	138 4286	130 6327	645 17138	272 8629
Optical	Cases £	33 870	26 857	25 1152	76 3063	37 2327	19 940	20 1303	42 2855	27 1209	61 2676
India-rubber Goods	Packages £	245 6754	362 9567	776 11431	513 10856	647 21121	747 18424	1114 25551	395 14422	368 8287	537 12453
Iron and Steel	Tons £	17520 127329	19900 154313	8907 80877	11243 134296	10554 164981	18780 265065	40568 488538	10445 119851	30999 304530	23953 192004
Iron—											
Castings	Tons £	353 5608	1678 19086	2574 30380
Tanks	No. £	712 2333	1023 3343	811 2755	1068 4144	985 4247	998 4444	429 1759	233 960	649 2527	1368 4778
Pipes	Tons £	6010 3414	12387 9163	9703 7215 11869 9220 15838 14662 12401 22601 20176
Galvanized Manufactures	Cwt. £	4185 7699	8308 35861	9600 19207
Bridges	No. £	1 2701
Galvanized	Tons £	4488 123091	7725 227934	8649 214235
Old	Tons £	500 1016	614 478	578 1566	1070 5779	947 4506	994 5329	719 3620	582 2649	1389 5054	1165 4368
Wire (galvanized)	Tons £	20 462	259 7410	701 17636
Jewellery	Cases £	169 33182	156 31577	192 35797	187 54850	291 115552	309 92439	424 135268	508 131045	1466 158017	672 120658
Jams and Jellies	lbs. £	1753585 48832	2654422 77686	2738561 80777
Lamps	Packages £	108 1462	127 1432	86 837	172 2834	218 2685	213 2897
Lampware	Packages £	664 3044	433 2626	848 5147	1517 6560	1441 9122	873 5755	1560 13682	1536 13426	2234 18300	2531 17782
Lead—											
Rolls	Cwt. No. £ 1205 10206 1331 10473 1226 9688 930 7395 478 4113 12966 12966	9992 16119	12621 14636	12199 25463	15455 23680
Piping	Cwt. £	987 1296	657 785	1054 1212	2946 3168	834 1056	1080 1579	1506 2114	2121 3012	1555 2131	991 1243
Ore	Bags £	107 60
Leather—											
Unmanufactured	Packages £	473 15986	393 15410	480 17450	397 19640	626 24457	670 31416	787 35799	743 29718	2027 47874	1866 45438
Boots and Shoes	Packages £	11618 150031	9606 120447	11936 170123	10203 160241	13311 206362	15141 233222	16176 259475	16760 255770	20744 312847	21213 296767
Chamois	Packages £
Lime-juice	Galls. £	17451 1194	19999 1741	29158 2183	8817 606	3534 689	7876 1801	17652 2040	16987 1308	22608 2118	19544 2823
Lime	Barrels £	282 20
Lithographic Materials	Packages £	103 757	97 424
Live stock—											
Horses	No. £	80 15131	46 1725	70 8932	71 10183	187 24696	308 19397	224 19211	251 24587	1563 28951	792 29922
Goats	No. £
Cattle	No. £	284 8314	31 4036	53 6400	197 12885	403 31064	238 5567	241 6949	209 14272	3593 15419	5453 57279
Deer	No. £
Sheep... ..	No. £	812 5125	512 2221	460 6698	1976 8267	3653 15625	3037 8273	2643 15405	18155 26258	330062 162627	495868 254143
Camel	No. £
Dogs	No. £	15 67	25 120	3 26	15 151	34 259	43 217	11 95	46 621	24 850	21 188
Poultry	Coops £	11 27	16 87	13 63	35 84	12 27	1 5	15 35	4 35	144 317	175 347
Mules	No. £
Turtles	No. £	16 40	1 1	20 42
Pigs	No. £	5 150	4 4	6 85	17 34	2 6	1 5	2 20	28 80	103 423

STATISTICS—1878.

141

IMPORTS—DECENNIAL RETURN—continued.

Articles.	Quantity and Value.	1869.	1870.	1871.	1872.	1873.	1874.	1875.	1876.	1877.	1878.
Matches	Packages	3969	5744	4852	7951	8998	7657	11086	13600	12515	14251
	£	15112	3686	17180	30739	37914	28014	35997	45281	43391	48760
Machinery	Packages	8973	5944	4173	3457	2982	8214	5058	8365	20572	14742
	£	68589	102937	45469	44751	72455	124893	140050	138688	266097	191352
Machines for weighing	Cases	183	376	246	388	297	313	546	353	1248	724
	£	1342	2065	1319	2196	1757	1814	2771	2010	4649	3879
Sewing	Cases	686	782	1327	1606	3791	3692	3984	4376	3704	4669
	£	6259	8317	15372	18766	35617	38745	39491	39560	36752	38354
Malt	Bushels	35780	55394	43626	67646	87544	109611	138039	176241	235324	227270
	£	17239	26507	17878	25768	35800	50703	61891	75819	100818	102057
Marble	Cases	290	224	147	131	240	214	226	352	856	1216
	£	1654	1574	1083	815	1505	1720	1622	2831	6334	9171
Mats, Matting, and Rugs	Pkgs. & bales.	6170	7082	5609	7885	4008	8748	8491	14068	3395	17967
	£	6152	6577	7633	7840	6397	9757	10595	18571	7900	20776
Manganese	Tons	180	990	278	60
	£	1800	3630	1390	250
Metal— Galvanized	Tons	2101	2292	2229	4899	38
	Cases	4176	2577	5288
Old	£	43011	25565	47945	57286	70370	65915	132086	190
	Cwt.	404	232	114	720	1600	620	980	540	2200	7460
Military and Naval Stores	£	749	505	287	453	629	1158	1899	1081	793	3099
	Packages	7216	3174	2997	6216	4035	6306	2712	916	2660	10421
Mustard	£	27838	12651	5913	20103	11252	27123	22433	14190	5459	40394
	lbs.	228405	302005	285729
Nails	£
	Cwt.
Nickel Ore	Packages	20331
	Kegs	28962	15473	14816	36196
Nuts	£	26109	15976	19763	27290	50929	33861	43006	40983	53800	45347
	Tons
Oakum	£
	Bales	2350	201	1299
Oars	£	1693	119	545	1805	1101	783	2265	798	2186	2092
	No.	6633	4883	3217	1970	4791	5483	9440	1542	2265	9176
Oatmeal	£	1377	1068	554	305	1116	1249	2501	330	945	2482
	Cases	582	1447	546
Pearl Barley	Cwt.	8438	7510	9184	11641	13504	13873	16185
	Casks	2625	4815	4115
Sperm	Bags
	£	5219	8005	7476	8927	10114	14168	16046	14064	16990	21640
Oil— Black	Cwt.	946	2427	1070	1187	1337	591
	Kegs	1567	1169	787
Castor	£	1390	1355	1025	899	2519	1144	1457	1399	610	1307
	Tons	271	141	219	352	218	122	212	99	142	158
Linseed	£	7371	3737	6456	12340	6143	4731	7900	3666	5130	4928
	Galls.	9900	42766	58749	96712	83276	122287	207930
Sperma	£	2066	10912	14936	20143	17433	29304	49751
	Galls.	53266	22622	55382	92289	40469	106612	125081	83857	139283	157496
Cocoanut	£	8113	3252	9003	15566	8298	17596	19005	12062	21742	24995
	Tons	146	174	42	13	11	52	7
Olive	Galls.	42030
	Tons	95	56	695	866	535	587	506	76	76	37
Colza	£	2956	1396	20312	26601	14896	15334	13036	2130	3022	1210
	Galls.	1136	5010	3939	5921	29397	16193	28177	4525	7337	14124
China	£	638	1702	1463	1306	10024	6245	11281	974	1997	3665
	Galls.	6972	5549	10079	14947	10585	6713	29532	14010	17290	12432
Palm	£	1385	1094	1790	3184	2368	1280	4975	2862	3995	3082
	Galls.	2500	2032	14442	44082	11694	19615	53745	12865	20761	64390
Naphtha	£	490	1062	2682	6198	2089	3829	9346	2356	5803	11089
	Galls.	468	330	1993	2387	3580	4777	3861	6497	11339	12656
Kerosene	£	182	115	450	382	630	818	642	1125	2163	2293
	Galls.	250	100	282	300	530	140	905
Salad	£	60	26	42	44	37	198
	Galls.	315746	357814	362653	320337	373021	372359	181027	355860	464944	673528
All other	£	27418	32603	35052	28860	35179	45202	13785	29616	45716	47963
	Galls.	25784	24034	23146
Oilmen's Stores	£	12806	13334	11384
	Galls.	60483	45107	74132	76248	25343	20943	50073	21514	135323	29416
Oil Cake	£	8927	9994	18210	21187	8918	5862	9433	7022	23432	8486
	Cases	38866	33930	14396	12708	26735	36357	69831	11559	9330	3920
Oysters (fresh)	£	53766	55501	25049	25812	55906	75636	132491	18247	20855	10410
	Casks	385	797	392	337	14	3
Opium	Packages	192	122
	£	153	589	198	945	415	359	9	5
Paint	Bags	4562	4250	2533	4750	6507	4198	4048	2802
	£	2272	2159	1379	2890	4782	3160	3728	2143
Paint	lbs.	3014	5250	16548	17705	20312	16760	19394	23416	22426	19098
	£	6434	13058	26495	24600	40953	36296	42495	52556	52784	46691
Paint	Cwt.	10508	7780	13402	16800	11409	10613	13907	22890	26660	34881
	£	14089	9526	17874	23821	16249	17815	25018	37439	43196	60048

STATISTICS—1878.

143

IMPORTS—DECENNIAL RETURN—continued.

Articles:	Quantity and Value.	1869.	1870.	1871.	1872.	1873.	1874.	1875.	1876.	1877.	1878.
Sago	lbs.	168790	227513	96170
	£	2390	2769	2133
Salt (Bag)	Tons	10712	9979	6635	7171	12049	6397	10585	9123	10228
	£	11707	11316	9436	11446	30547	17007	36548	28840	28035
Salt and Saltpetre	Tons	16124	29
	£	34975	842
Salt (Rock)	Tons	1578	1059	1135	2126	3483	1188	3468	1699	2459	1310
	£	1233	662	814	2502	6209	2965	10200	4892	5035	2899
Saltpetre	Cwt.	391	346	313	494	591	141	730	575
	£	502	473	399	714	957	180	392	842
Ship Chandlery	Bales	546	817	654	513	1291	768	933	934	1217
	Packages	378	3408	365	235	413	1206	1514	1098	1309	1191
Silk (Grain)	£	21048	32602	24288	21655	51329	41939	46146	34673	39468	19243
	Packages	17
Shooks and Staves	£	330
	Bundles	10834
Sarsaparilla	No.	95105	97078	173822	135404	51193	68869	64127	73201	99800
	£	1702	3021	3288	1258	1542	2196	2480	3047	3169	3798
Silver	Galls.	9281	2064	6529	9280	6952
	£	6892	1614	4395	7313	5114
Skins—	Ozs.	53
	£	16
Horned Cattle	No.	28493	36958	46886	46911	34264	49573	53315	54026	72080	55202
	£	17749	25970	34974	40471	29939	48078	52699	54020	72080	50902
Sheep... ..	Bales	2094	3195
	Bundles	6083	4136	4860	2393	3737	3270	2796	3492
Horse... ..	£	33619	21064	31791	20751	23744	19073	16885	22541	36934	28798
	No.	220	601	1128	1290	454	516	254
Kangaroo	£	184	527	858	692	274	231	96
	Packages	79	102	163	188	413	187	54	31	152	65
Calf	£	511	1209	2670	3458	1367	1589	436	551	1198	484
	No.	110
Opossum	Bundles	24
	Cases	15	61	86	10
Chamois	£	998	206	1890	92	118	46
	Bundles	25
Morocco	Case	1
	£	52	12
Slatess—	Cases	24	4	3	5	24	9	9
	£	929	80	52	240	957	314	373
Unmanufactured	Cases	3	2
	£	161	168
Slabs	No.	648510	721150	684770	632207	1088109	282705	1187333	683241	2499165	2040174
	£	5069	5477	5894	4912	8795	2907	12966	9375	27229	23072
Soap	No.	86	15	56	53	1250	378	127	280	52614
	£	65	10	42	98	591	291	193	398	1833
Soda (crystals)	Cwt.	4884	3352	1743	2352	3074	4223	3206	2068	7935	13023
	£	5574	3455	3693	3436	7434	7603	5519	3594	14306	17684
Specimens of Natural History	Tons	653	1291	881
	£	4093	8299	5314
Starch (1869 to 1875 includes Blue)	Packages	155	313	312	172	303	87	80	68	80	183
	£	606	607	943	466	788	359	345	488	576	1180
Spirits—	Cases	10812	12566	7764	12986	13192	10836	19942	988357	1085064	906563
	£	11714	13285	9222	14787	12544	9792	19206	15222	9445	15450
Brandy	Galls.	334996	360920	480632	442340	456637	542374	421561	544944	579116	502007
	£	131236	140542	177833	194544	164122	218200	176228	239255	299622	252343
Rum	Galls.	282215	186136	252814	283340	183665	240849	252613	233044	318110	251044
	£	53935	35657	48275	29270	28705	41298	41734	41658	61754	49160
Geneva	Galls.	188672	233036	135318	107968	198795	207605	284798	190681	301860	176422
	£	32140	38102	21060	20353	51864	47901	61381	44479	66686	44096
Gin	Galls.	8717	22727	19624	51762	13318	4714	15502	14928	13702	10774
	£	2863	7602	8019	17809	4191	1468	5620	5689	5210	4227
Whiskey	Galls.	38678	36646	28975	43105	63996	43075	61258	72112	122572	156667
	£	11588	10059	10498	13682	21842	15385	19713	25866	48276	65872
Liqueurs	Galls.	3012	4329	2563	4192	5760	4512	4448	6205	7363	7432
	£	2022	3234	2043	2471	3904	3622	3134	4207	5616	5700
Perfumed	Galls.	3529	3173	2915	4147	3758	3339	4659	6804	3337	5635
	£	6398	5081	4606	8499	8827	7027	11421	14758	6320	12811
Methylated	Galls.	195	110	291	478	876	1739
	£	62	35	70	101	360	785
All other	Galls.	18378	16143	15785	6051	21368	25068	23760	19774	28193	31922
	£	5531	3792	3735	3006	7515	9146	8775	6437	8743	11158
Stationery—	Bales	6700	3888	6119
	£	84508	49021	64626
Books and Periodicals	Cases or pkgs.	3084	3528	3414	3092	6001	5115	4989	6387	8146	7891
	£	57517	64563	59833	54702	116554	111706	123277	169776	163359	180155
Paper (brown and wrapping)	Cwt.	14313	14049	14049
	£	21224	37794	22697

STATISTICS—1878.

145

IMPORTS—DECENNIAL RETURN—*continued.*

Articles.	Quantity and Value.	1869.	1870.	1871.	1872.	1873.	1874.	1875.	1876.	1877.	1878.
Tobacco—											
Manufactured	lbs. £	1391757 80603	1056866 55235	931842 51789	789423 50493	673393 37480	765690 48465	418016 27711	490614 31209	653751 47331	1030063 81088
Unmanufactured	lbs. £	168874 8404	275480 10686	309524 13778	621636 20398	732023 30777	2115628 92038	715720 36410	413394 20571	1610989 73292	2448104 92645
Cigars	lbs. £	55293 15290	73879 25273	44394 13587	49981 19369	92199 29339	78331 25746	54886 18116	129134 45685	114253 38950	184149 52501
Snuff	lbs. £	676 70	474 70	200 50	464 45	1216 164	483 123	768 152	42 33	502 74
Sheep-wash	lbs. £	191
Tortoise-shell	lbs. £	1708 1125	4244 1977	4712 1856	3910 2304	5265 2297	4274 1833	4229 2709	6565 1726	2961 2334	3100 2355
Toys and Fancy Goods	Pkgs. & cases £	5036 58962	4260 51724	3149 51248	3283 73977	5313 99300	4685 88652	9319 165817	9262 159832	6400 112171	7096 128763
Turnery and Woodware	Pkgs. or cases £	7491 9078	11738 13561	6260 6341	3328 6117	7433 11569	11922 15934	9841 13019	8883 10841	11462 24587	14063 23088
Turpentine	Galls. £	24718	35606	28605
Turpentine and Varnish	Galls. £	18838 6826	12126 5684	19137 6605	21766 5997	42289 10793	17570 7460	39552 12449	3793	5991
Varnish	Galls. £	12550	15941	19737
Vermicelli, Macaroni, and Tapioca	Pkgs. £	709 1016	574 1162	388 658	683 1441	810 1749	1004 1604	1365 2141	6032 1669	9174 3570	11976
Upholstery	Bales Pkgs. £	684 125 20183	600 493 21894	833 160 15959	678 279 18804	1565 398 29552	902 307 33090	1158 33334	739 419 28332	1858 478 37358 2099 24464
Vinegar	Galls. £	113539 7253	49302 4471	66918 5590	67054 6101	101568 9832	52362 6421	70218 8627	79601 8627	96434 9941	101790 12880
Vermicelli and Macaroni	Pkgs. £	1256
Watches and Clocks	Pkgs. or cases £	1327 12855	1203 12185	1066 10738	1264 34236	1664 30234	2142 44395	2196 39327	2023 36131	2751 43427	2446 56244
Whiting and Chalk	Casks £	3762 1079	1800 647	883 364	1493 573	4749 1969	1481 498	2710 1618	5381 2506	2946 3981	3977 1872
Whalebone	cwt. Pkgs. £	41 81	19 7 10	44 468	105 1700	8 175	104 1728	54 1000	37 700
Wine (Sparkling)	Galls. £	13965	19618	18928
Wine (Still)	Galls. £	22786	29934	29012
Wine	Galls. £	188525 65242	216407 77028	165238 56775	264264 118717	325709 105484	210028 69971	177388 69032	69162	98162
Wire	Tons Bundles £	12976 20931	19435 22293	6633 14702	18647 37083	19998 41795	37511 82607	42222 77013	5149	12285
Wool	lbs. £	13239730 738872	11214579 543027	12169578 603448	9647501 536031	9870191 504394	7823899 431644	8357279 441856	6765995 331606	4646262 368049
Wool—											
Washed and Scoured	lbs. £	1827996
Greasy	lbs. £	134971
Woolpacks and Bagging	Dozen Bales £	3461 32266	1784 16905	2076 19765	1888 23151	3602 38070	3078 30701	2834 22668	2587 22260	4616 38557	30918 51819
Yams	Pkgs. £	20 10
Yellow—											
Metal (Sheets)	Cases £	981 16871	519 7188	702 12698	920 17887	1404 23591	1520 33816	1479 29131	938 16356	830 13367	902 16706
Nails	Pkgs. Kegs. £	213 2078	128 620	179 1529	437 3322	354 4737	494 4334	937 5966	144 2407
Zinc	cwt. Cases £	315 2036	655 1662	902 1394	1554	1395	5133
					2299	2258	4065	4796	2507	2588	5632

EXPORTS.

No. 59.—DECENNIAL RETURN showing the Quantities and Values of Articles EXPORTED, distinguishing the Produce and Manufactures of the Colony from British, Foreign, and other Colonial Produce and Manufactures.

Articles.	Quantity and Value.	1869.		1870.		1871.		1872.		1873.		1874.		1875.		1876.		1877.		1878.		
		Produce of the Colony.	Other Produce.	Produce of the Colony.	Other Produce.	Produce of the Colony.	Other Produce.	Produce of the Colony.	Other Produce.	Produce of the Colony.	Other Produce.	Produce of the Colony.	Other Produce.	Produce of the Colony.	Other Produce.	Produce of the Colony.	Other Produce.	Produce of the Colony.	Other Produce.	Produce of the Colony.	Other Produce.	
Acids	Pkgs. £	280 623	221 885	142 312	236 899	367 721	157 491	359 602	217 629	278 561	181 772	212 319	196 616	232 325	224 634	804 907	152 370	917 1204	117 530	913 1111	150 662	
Aerated Waters and other	Gallons	19	90	72	28	33	
Summer Beverages	Pkgs. £	93 207	129 147	73 94	32 68	95 152	155 144	29 64	174 214	18 33	755 774	440 575	1101 8	54 732	805 634	492 829	919 1838	2178 1838	688 596	1969 2021	802 904	
Agricultural Implements	Pkgs. £	1 7	20 128	8 34	178 763	6 28	94 701	1 7	44 453	6 51	110 936	8 46	140 1276	41 77	71 547	265 222	11 1487	291 71	26 2650	224 149	224 1439	
Anchors and Chain Cables	Cwt. £	153 217	
Anchors	No. £	114 175	303 351	186 494	253 615	276 639	300 1013	302 1031	246 674	251 509	
Antimony Ore	Cwt. £	620 560	13 5	452 210	245 122	132 53	1119 581	200 100	468 249	40 26	
Antimony Metal	Cwt. £	553 273	1715 821	
Apparel and Slops.	Pkgs. £	23 193	536 17135	62 519	370 7255	37 170	496 10830	12 62	306 8176	8 33	286 6424	10 68	550 17581	6 69	905 26997	30 451	1064 27862	25 384	1608 41520	50 670	2124 64046	
Arms and Ammunition—																						
Guns (Small Arms)	Pkgs. £	469 4986	1 20	375 3432	429 4998	186 2600	188 2364	390 5079	226 3252	224 5501	415 7324	450 7446	
Cartridges	Pkgs. £	741 1135	415 1027	135 561	58 282	44 248	70 467	235 1126	109 739	256 1375	367 1290	
Lithofracteur and Dynamite	lbs. £	72	174	7453	11230	7775	14280	29360	
Percussion Caps	Pkgs. £	53 228	92 342	140 470	73 223	60 179	81 295	419	304	411	658	
Cannons	No. £	5 22	
Shot	Pkgs. Cwt. £	28 366	572 1044	
Swords	Pkgs. £	2 20	3 22	1 4	2 39	1 7	1 2	5 150	
Gunpowder	lbs. £	56268 1824	18689 1463	22078 1987	35753 2348	
Powder (Blasting)	lbs. £	80256 1981	321561 7990	142298 3866		
Powder (Gun and Blasting)	lbs. £	78758 2602	75974 2569	81327 4241	100680 3224	130341 3782	198385 5470	
Arrowroot*	lbs. £	950 20	4788 141	112 5	9767 157	10381 199	112 1	17350 281	22062 567	112 4	719 18	60718 746	1971 38	17543 315	280 5	8376 196	112 3	31088 635	13848 182	36419 501
Bags and Sacks	Bales £	852 8751	1650 9601	667 5900	35 694	740 7517	40 320	757 7244	58 755	446 3747	80 1143	495 4649	10 178	1089 8241	110 1353	1184 12079	5 119	683 6636	
Bags (Gunny)	Pkgs. No. Bales £	44952	109948	94513	226064	341292	1445
		192	593	232	485	
		154	484	1252	1995	4044	5020	1413	759	1756	

Bark	Cwt.	1618	305	525	12	5415	400	2760	234	5480	400	4266	1140	6228	17143	8801	37063	3061	8674	4934	20394
	£	404	92	111	3	1568	80	587	70	1309	80	1282	344	2179	8918	2879	15814	1074	3234	1615	7806
Baskets and Basket-ware	Bales																				
	No. & pgs.	16	221	40	24	29	10	33	157	86	135	1265	322	137	185	686	278	260	265	5408	
	£	22	144	37	44	47	122	62	246	89	241	671	245	203	249	556	266	278	260	1806	
Beche-le-mer	Cwt.						1666		2680		5842		13607		6446		3398		2623	4359	
	Pkgs.		667		1162																
	£		933		2306		3910		8832		21311		51406		23766		11232		10663	15294	
Bees-wax	lbs.		3690	13390		39406		42869		28343		24511		24385		21060		26568		33882	
	£		242	571		2244		2315		1662		1896		1549		1313		1481		1725	
Beer—																					
In bottle	Gallons		81700	280	42954		55588	448	129623	157	111157	3005	102561	1217	86193	500	99376	2194	142255	1791	84735
	£		19840	44	10377		13243	90	30013	30	26691	577	25595	231	21288	91	24851	423	34941	326	21825
In wood	Gallons	2573	86624	1108	63877	382	36353	931	133020	1389	67111	5586	96129	7670	45045	14929	48512	33935	48739	32787	52819
	£	226	10143	111	8652	36	4771	88	16982	130	8941	536	11833	699	5680	1243	6471	3075	6074	2831	6131
Biscuits and Bread	Cwt.	1567	137	2815	67	2412	39	2913	101	2611	109	2856	148	3430	83	2362	70				
	lbs.	1601	170	3071	105	2608	117	3386	278	2848	343	3848	403	4159	266	2885	301				
	£																	192690	37226	483472	84114
Biscuits (Fancy and Navy)	Pkgs.		164	2	122		68	2	121		53		32		35		33		750	4723	1071
	£		396	5	293		149	7	247		172		84		90		109		92	275	87
Blacking	lbs.																		38894		21590
Blue	£																		1374		682
Boats	No.	11	2	54	2	31	6	56	8	55	3	36		43	3	34		16	3	19	5
	£	216	250	1349	170	891	548	1495	285	1299	60	1047		4039	240	4114		1037	230	853	250
Bone Dust	Cwt.	24800		22009		25535		22050		30927		25216		28112		31585		35430		33220	580
	£	5656		6293		7373		6942		8933		7236		8411		9337		10754		10130	190
Bran	Bushels	42906	3267	35575	3836	16363	2810	30581	2224	46918	105	47791	1324	38639	3890						
	£	2558	220	2196	204	832	121	1703	113	2730	6	3071	76	2491	241						
Bran and Pollard	Bushels															49991	34825	72602	66396	55897	32239
	£															3439	2558	4167	3646	3581	2141
Bricks—																					
Fire and Building	No.	24450	4150	35539	11750	53500		52198	36392	47818	105440	16350	23824	9680	3300	38743	41012	2898	55035	60107	8765
	£	74	18	98	45	129		138	393	156	906	51	207	47	42	167	305	27	367	368	59
Brushware	Pkgs.	3	113	22	109	251	146	700	245	436	223	164	139	111	134	83	209	172	524	67	317
	£	2	478	29	681	310	1038	918	769	662	1394	211	1053	187	1164	149	1561	266	2246	140	1832
Building Materials	Bushels			288																	
	Pkgs.	342	19	416	78	695	261	662	57	461	17	920	67	458	795	524	11	327	121	171	114
	£	111	22	841	178	643	306	809	202	867	176	1241	153	909	724	545	200	443	211	332	255
Butter and Cheese	Cwt.	9520	617	12581	363	14230	519	8369	382	8707	317	8799	295	8381	172						
	£	40844	2424	41546	1542	40003	2272	25950	1669	30949	1552	36382	1396	46755	1058						
Butter	Cwt.															2842	245	5349	1056	5578	376
	£															19586	1700	28302	4900	33780	1884
Candle Nuts	Cwt.						2936		5276		515		1433		2889		1328		810		17
	£						1300		1531		181		104		260		804		677		12
Candles	lbs.	1414	193033	3700	149250	672	257068		297928		355319		366708		308671		211769	150	329628	440	231365
	£	28	7961	74	5967	9	9644		11383		13971		14325		12947		8069	6	12709	18	8687
Canvas	Bales																				
	Pkgs.		56		68		48		98		53		91		126						156
	£		1076		1186		998		1921		1260		1897		3914						
Carriages, Gigs, and Bicycles	No.	112	7	69	10	68	5	84	12	114		106	8	146	20	157	17	158	19	113	36
	£	4456	234	2006	140	2163	196	3095	366	5174		5825	430	7560	1750	7263	893	8401	976	6951	1576
Carriage and Cart Makers' Materials	Pkgs.	528	71	335	225	994	1967	1120	1910	870	1671	1216	1474	1003	1937	3135	1889	3466	2026	7206	3798
	£	699	317	593	378	458	965	713	1020	1070	1090	1023	734	1975	1057	1602	1104	1777	1430	2093	1162

NOTE.—The returns of the years 1869 to 1876 are exclusive of the Overland trade.

* Sago included in years 1869 to 1875 inclusive.

Oats	Bushels	4400	9978	7224	9945	2712	969	2062	8877	11452	2246	23789	48023	23851	28550	7125	16542	5552	12902	14888	28616	
	£	877	1395	1268	1532	444	198	326	1404	2004	390	4601	9546	4602	5608	1349	2893	1026	1996	2941	5959	
Wheaten meal	Cwt.					106	40															
	£					64	24															
Maize	Bushels	1096373		475886		725943		1183715		1294122		1025182		611360		594393		834107		722632		
	£	186551		72999		109412		115268		179082		211593		119738		89244		136583		142968		
Rice	Cwt.		28223		18106		19479		24987		43824		27755		27764		26434		27220		37336	
	£		24916		16222		18116		23703		36164		24081		24591		22229		24837		32939	
Sharps	Tons			16	33	4	8		2	43	3	63	9	66		128		26		20		
	£			85	155	30	60		18	346	27	619	88	582	163	1103	101	239	188			
Rye	Bushels			302																		
	£			42																		
Wheat	Bushels	1668	29831	1100	21814	8	28583	23	94657	3088	73881	687	27214	120	230559	70	48705	22594	103959	21829	44287	
	£	520	9180	250	2611	2	7622	6	23673	898	18930	270	7176	30	57314	16	13258	5461	31078	5025	11389	
Pollard	Bushels			4388		972		491		2247		2318		3947								
	£			230		58		28		121		169		242								
Pearl Barley	Kegs																				117	
	Cwt.																					
	£																					
Grindery	Packages		100	35	62	50	35	46	89	69	96	69	70	39	47	51	94		247			
	£		1443	416	531	751	369	781	585	1040	1079	1166	582	824	373	583	109	43	239	34	242	
Guano	Tons		43		221		83		169		1409		841		35		53		143		62	
	£		438		1523		973		1737		9648		7587		513		709		644		811	
Gum	Packages																				13	
	Cwt.	45	291	50	221		1831	4	1690	25	198	26	1487	4	416	178						
	£	50	410	102	308		2641	6	2191	37	292	31	1344	6	603	290		48			35	
Greaves	Tons			12		14																
	£			168		110																
Grease	Cwt.							16								390						
	Packages							35														
	£																					
Hay and Chaff	Cwt.	42814	824	9103		9026		10000	120	26385	701	14135		8878	146	9663	677	25974	3583	34840	5115	
	£	7722	165	1862		1767		2021	19	3446	122	3299		3108	55	3341	286	6604	846	7725	1314	
	No.		32	2	40	4	89		111	4	91	10	175	3	102	13	130	3	140			
Hardware	Packages	416	12829	292	10226	376	10478	348	15858	378	12471	754	14487	754	14199	688	16147	996	17857	560	14542	
	£	1171	61222	689	44585	837	49346	963	64037	1161	55935	1894	62735	1715	72521	1595	76086	2057	77092	979	64723	
Honey	lbs.	3044		10358	166	26942	646	13615	1684	8705	688	4584		3082		4810		2144	200	5956	1852	
	£	75		221	6	408	20	223	46	209	15	113		88		117		77	7	166	55	
Hoofs and Bones	Cwt.	10673		8085	80	7210		6280	620	7103	70	10826		8150		9218		9426	20	8032		
	£	2177		1618	12	2402		2523	298	3294	30	4732		3784		4023		4746	7	3120		
	lbs.											50377		20395		14356		74167		99151		127006
Hops	Packages		228		99		487		264													
	£		1943		735		3666		2307		2701		1046		1009		4167		6022		5986	
Horns	No.	146851		131183	2490	223291		248635		229045		276826		292970		327472		243592		354823		
	£	1403		673	8	1872		2662		2934		3744		3792		3627		3742		5869		
Hair	lbs.	2515	812	14395	160	32576		92479	460	72387	1119	96812	780	101831	780	77557	3137	86478	2444	51629	994	
	£	2515	42	872	8	2821		7881	30	5625	69	7589	46	8267	51	5317	243	4809	168	2525	61	
Houses (Wooden)	No.	3		4		2		2		6		14		17		1		3		2		
	£	180		255		143		207		785		1290		2498		150		421		307		
Ice	Packages	3		1		2		25		14		16										
	£	10		2		10		71		50		65										
India-rubber Goods	Packages		3		33		19		27		71		23		32		28		37		19	
	£		299		468		416		342		2111		852		393		555		1027		578	
Instruments—																						
Musical	Packages		91	1	48		79		107		150		164	1	162		248		359		603	
	£		2626	18	1327		2268		3140		4026		4886	20	5556		7345		13716		20472	
Scientific	Packages		47		22		26		32		35		36		72		76		212		86	
	£		770		248		527		829		712		843		1952		1445		3446		1757	

EXPORTS—DECENNIAL RETURN—continued.

Articles:	Quantity and Value.	1869.		1870.		1871.		1872.		1873.		1874.		1875.		1876.		1877.		1878.	
		Produce of the Colony.	Other Produce.	Produce of the Colony.	Other Produce.	Produce of the Colony.	Other Produce.	Produce of the Colony.	Other Produce.	Produce of the Colony.	Other Produce.	Produce of the Colony.	Other Produce.	Produce of the Colony.	Other Produce.	Produce of the Colony.	Other Produce.	Produce of the Colony.	Other Produce.	Produce of the Colony.	Other Produce.
Iron—																					
Iron and Steel (includes Rails.)	No.	51	42	35	34	8188	543	287	702	50
	Cwt.	146	12421	1017	9941	3016	17658	1838	20166	812	15230	872	26046	797	13973	482	785	1562	20131	427	22218
	£	109	5184	695	5202	1459	7800	865	12944	472	10282	485	41206	940	12387	3436	11451	862	12495	258	12116
Galvanized	Pkgs.	416	457	494	640	639	607	743	8860	11602	11332
	£	4342	5135	5552	8351	9810	10032	11703	13494	17360	15949
Galvanized Manufactures	Cwt.
	£
Pig-iron	Cwt.
	£
Old	Cwt.
	£
Ore	Cwt.
	£
Pipes	No.	393	4	460	414	24	430	2420	632	1464	6	676	65
	£	153	5	476	280	62	309	240	470	84	749	25	480	42	1277	2249
Tanks	No.	4	89	153	1	291	1	147	234	265	152	42	953	1423
	£	22	359	615	6	1117	10	567	1002	1125	629	25	203	554
Ivory (Black)	lbs.	20	2003
	£	20
Ivory Nuts	Cwt.
	£
Ivory (Polish)	Pkgs.
	Casks
	£
Jams and Jellies	lbs.
	£
Jewellery	Pkgs.	14	10	7	14	28	56	98
	£	419	622	3720	2906	3504	5740	14892
Lampware	Pkgs.	84	53	105	142	261	202	213
	£	406	250	575	894	1510	1416	1506
Lamps	Pkgs.	17	27	18	20	21	13
	£	124	155	150	157	175	119
Lard	Cwt.	144	77	9	211	32	125	385	432	527
	£	248	190	25	495	80	319	930	1240	1672
Lead	Cwt.	2705	496	2086	339	2074	2153	2786	2117	118
	£	2609	490	2113	324	2088	2208	3022	2393	140
Lead Ore	Cwt.
	£
Leather—																					
Unmanufactured	Pkgs.	2855	63	3001	50	4153	25	5794	47	4379	43	3890	44	4465	124	4183	120	4378	212	4186	125
	£	46269	897	53061	901	97599	496	133281	735	102323	813	94938	967	108347	2593	93305	3535	91466	7848	90133	4953
Boots and Shoes	Pkgs.	1108	1531	1372	1071	1437	1244	2025	1150	1663	1409	1665	1632	1592	2172	1959	2072	2083	2369	1875	3273
	£	21194	24239	23618	16415	29887	18977	38904	17257	36917	24015	47621	24117	48252	34881	59404	29157	58258	32934	46763	44192
Lime-juice	Galls.	25	2756	4834	6919	3932	220	3947	5102	8850	5011	6003
	£	2	407	557	482	532	30	648	686	1068	580	841
Live Stock—																					
Rabbits	Pkgs.
	£
Horned Cattle	No.	1279	3	1781	2	2050	30	1301	8	3589	9	2491	22	2975	12	2518	4	62875	5114	51155	3871
	£	6642	700	10067	200	13808	2565	9512	785	33435	345	33580	1390	37137	1210	37016	560	427294	35841	395220	26452

Calves	No.	53	3	11	34	9	31	69	69	1	43	22	1									
£	100	6	26	108	16	7	96	6	69	1	43	22	1									
Dogs	No.	4	1	8	2	1	12	6	69	1	43	22	1									
£	7	13	4	23	5	14	44	15	177	20	278	96	5									
Bear	No.																					
£																						
Goats	No.	3	11	12	6	*80	†39	3			4											
£	6	100	10	53	12	250	69	9			14											
Alligator	No.																					
£																						
Horses	No.	1638	529	964	1249	2298	1908	1454	15	5147	157	3679	42									
£	27677	9509	9115	23552	1300	35507	1440	49808	538	47651	3720	38230	3850	84339	1778	66441	420					
Asses	No.																					
£																						
Pigs	No.	3486	7990	5598	5450	4032	3381	2546		1213		903										
£	3732	12730	14727	10196	8662	6695	5704	4790		1997		1258										
Coops		44	45	38	95	99	122	93		98		42										
Poultry	Pkgs.	53	106	120	341	296	447	3	407		320		151									
£	164																					
Mules	No.																					
£																						
Sheep	No.	5876	6	4498	29	5630	157	3838	80	4562	108	7011	67	8285	399	8128	30	751412	304	578457	30	
£	3348	60	2745	280	3146	1400	2585	350	2912	1070	4878	525	5952	1110	6559	400	380489	2032	272060	250		
Rams	No.				13	24	6	29	46	218	6	68		44	42							
£					400	520	300	110	310	1220	250	1116		270	285							
Birds	No.																					
Pkgs.																						
£																						
Turtles	No.				3	6																
£					6	10																
Machinery	Pkgs.	1074	1132	672	684	1665	1044	2503	1314	1900	1266	1995	1907	1028	848	930	1389	370	1471	425	1266	
£	10233	7960	7120	9831	12071	13061	16162	14403	13033	12567	10837	16088	5726	8666	4085	18233	2299	14328	5413	22223		
Machines—																						
Sewing	Pkgs.				48		214		296		419		582		490		588		521		726	
£					432		2070		2380		3633		5198		4178		5538		4806		7883	
Weighing	Pkgs.				29		60		44		33		81		53		77		71		17	
Malt	No.		36																			
£		266			151		552		302		209		594		376		619		478		140	
Manganese	Bushels		1156		914		699		987		1902		753		5002		827		1003		5462	
£		643			414		336		473		852		289		1874		352		437		2380	
Marble	Tons																530		250		542	
£																	2741		1000		2377	
Matches	Pkgs.	5	15	7	10	2	1										8		22		10	
£		30			42		31		15		5						102		200		101	
Mats and Matting	Pkgs.	1067		858		906		1602		1163		968		1812		2647		13086		14457		2314
£	4984		4077		4053		7298		6468		5437		9190		12	354		26		987		12294
Metal (old)	Bales																					
£																						
Mineral Wax	Pkgs.	32	447	7	579	20	2454	25	902	29	915	5	2076		1657						20	
£	83	902	19	1024	32	1796	57	920	76	1135	34	3079		2147		47	635	67	1504		2928	
Military and Naval Stores	Cwt.		3160	778	2154	235	1867		1727		3761		3861		3218		4286		1845		3429	
£		7825	1928	4101	475	3961		3689		8403		10853		8646		10906		5115		6100		
Minerals (not classified)	Pkgs.				329		69		261				130				888		342		265	
£					1302		1686		878				128				1667		831		1321	
Mineral Wax	Tons																		231		77	
£																			7725		1082	
£										220												
£										400												

* Angora. † 14 Angora, value £35.

Onions	Cwt.	3151	3342	390	3171	386	5373	640	5300	1857	3331	437	5546	1600	5144	3060	4390	5683	4162	3055
	£	1408	1426	144	1432	174	1688	168	1819	400	3133	368	3422	967	2185	1134	2479	2668	3143	2333
Opium	lbs.	5452	2078	3848	3794	4920	4050	8180	2961	2842	3134
	£	10420	4203	8140	8283	11845	10654	16696	7466	6674	8147
Ore (Gold & Silver)	Cwt.	290
	£	750
Ore (Chrome) ...	Cwt.	835
	£	123
Oysters	Bags	14513	291	16585	8	14457
	Pkgs.	12518	40	13060	154
	£	8070	23	10187	126	12589	275	15126	9	12566
Paint	Cwt.	823	927	728	625	1289	780	23	764	1101	1362	37	1593
	£	1336	1228	1055	988	1905	1216	44	1356	1769	2524	102	2724
Painters' Materials	Pkgs.	58	227	40	89	101	67	2	42
	£	171	619	171	289	263	122	18	124	50
Paper-hangings ...	Pkgs.	28	20	26	51	45	30	43	91	54
	£	208	89	183	329	341	203	325	898	385
Printing Materials	Pkgs.	174	122	142	142	243	177	208	162	407
	£	1372	1233	1305	975	1735	1499	1821	1397	4951
	lbs.	43925	65956	21725
Pepper and Spices	Pkgs.	424	480	553	232	281	162	400
	£	766	1028	1600	1000	666	666	1643	1932	2630
Pearl Shell	lbs.	5600	48048	72004	171019	186137	241058	533472	952492	693980	1080788
	£	70	1173	3201	11121	13590	19755	44086	61872	38931	151
Pea-nut	Cwt.
	£
Paraffine Wax ...	Cwt.
	£
Photographic Materials	Pkgs.	39	16	19	35	48	80	76	51	53
	£	260	78	91	212	232	466	569	431	440
Phormium Tenax...	Bales	93	664
	Pkgs.	139	236	34
	£	293	558	90	216	1289
Pickles and Sauces	Cases
	£
Pictures and Paintings	Pkgs.	7	43	1	19	11	48	10	48	9	42	32	37	5	38	34	88	22	99	15	144
	£	77	509	5	118	337	2886	269	551	59	490	361	657	36	626	303	1149	350	1467	233	2345
Pipes (Tobacco) ...	Pkgs.	903	831	911	869	527	1237	873	1519	1561	830
	£	656	659	646	514	588	819	1075	973	1725	1595
Pitch, Tar, & Resin	Pkgs.	303	845	203	856	160	790	398	687	328	433	433	456	518	372	405	504	391	576	890	364
	£	261	911	165	699	149	682	305	808	249	559	334	498	345	380	246	629	249	822	643	414
Plants and Seeds ...	Pkgs.	2110	138	1312	117	1199	1119	1442	7307	1834	1106	1906	267	2067	503	1552	251	3062	1293	3477	480
	£	3425	379	3232	321	3199	1585	3593	3940	4410	2253	5054	1523	5470	2832	4813	1613	8924	3833	9802	2424
Plate—Silver	Pkgs.	5	2	2
	£	655	80	171
Silver and Plated Ware ...	Pkgs.
	£
Plated-ware	Pkgs.	11	1	4	4	35	30	42	53
	£	151	30	140	138	1014	1391	1327	1511
Potatoes	Cwt.	27058	175	40167	4123	23405	3110	33997	8871	35731	11819	36652	14710	49032	25254	1441	1576	23448	51298	32490	64503
	£	8632	61	8328	796	4350	499	7258	1914	7950	2742	9270	3758	12344	5837	7194	7073	6600	13085	11409	18144
	lbs.	63081	2406	97821	11712	95735
Preserves	£	2359	70	4654	210	4340
Provisions—Bacon	Cwt.	1000	272	357	73	479	76	927	82	922	167	1238	115	1520	194	896	159	774	190
	£	2922	977	1109	304	1414	352	2902	352	2784	875	4186	601	5765	1090	3771	881	3163	1039
Beef	Cwt.	6182	146	9437	238	9692	10342	71	7879	7020	8121	2	6581	7410
	£	6328	158	10396	285	10281	12370	94	9093	8652	10160	3	9605	9802

* Naphtha and Gasoline.

EXPORTS—DECENNIAL RETURN—continued.

Articles.	Quantity and Value.	1869.		1870.		1871.		1872.		1873.		1874.		1875.		1876.		1877.		1878.	
		Produce of the Colony.	Other Produce.	Produce of the Colony.	Other Produce.	Produce of the Colony.	Other Produce.	Produce of the Colony.	Other Produce.	Produce of the Colony.	Other Produce.	Produce of the Colony.	Other Produce.	Produce of the Colony.	Other Produce.	Produce of the Colony.	Other Produce.	Produce of the Colony.	Other Produce.	Produce of the Colony.	Other Produce.
Provisions—contd.																					
Beef (Fresh) ...	Qrs.	57
	£	54
Chinese ...	Pkgs.	1769	2086	1198	1979	814	599	313	89	266	252
	£	3093	2563	2125	3335	1014	749	619	162	373	364
Bacon and Hams	lbs.	76454	80764
	£	2822	4022
Hams ...	Cwt.	22	357	33	269	395	222	11	309	53	398	52	394	47	367	16	417
	£	92	1653	100	1360	2141	1231	47	1832	214	2372	268	2441	236	2448	77	2658
Mutton ...	Cres.
	£	54	63	2	36	10
	£	56	157	6	46	15
Pork ...	Cwt.	412	45	34	21	349	3	398	24	436	698	467	332	313	550
	£	573	59	87	50	696	9	833	59	758	1298	1031	733	721	1246
Preserved Meats and Extracts, including Tongues	Cwt.	5	153	4	190	105	165	114	25	21	30
	£	10059	461	13833	2072	47870	9960	58021	9807	54217	14125	49817	17520	25540	20413	33308	32471	64479	20426	21524	876
	Pkgs. & cas.	37087	4195	52177	20241	120819	32867	120354	21457	107534	32003	92939	36055	56473	35100	83954	62760	126382	40546	42581	1863
Marrow ...	Pkgs.	144	341	427	171	232	309	72	415
	£	785	2274	1215	1270	740	901	226	1569
Vegetables (Preserved) ...	Pkgs.	38	524	554	883	878	1216	1069	530	996	898
	£	137	714	873	1300	1546	3214	3219	1273	1778	1587
Vegetables (green)	Pkgs.	91	20	61	2	57	56	250	232	287	19	245	438	34
	£	66	6	51	3	62	34	196	166	232	7	224	643	70
	Bales	235	205	147
Pulu ...	Pkgs.
	£
Pyrites (Gold) ...	Cwt.	80	180	541	332	194
	£	500	1390	3009	1980	478
Quicksilver ...	Bottles	26	57	52	151	173	121	355	524	767	539
	£	160	412	610	1748	2359	1818	5256	6901	7260	4436
Regulus (Copper) ...	Cwt.	177	39	255	2660	2285	7207	4004
	£	250	60	980	4296	5451	17045	6899
Saddlery and Harness ...	Pkgs.	515	236	378	118	417	113	505	188	669	340	512	296	630	345	597	249	687	184	805	242
	£	6099	4831	4396	1581	6427	1584	8879	6007	10509	6016	12263	5689	12155	5789	14074	5229	13830	3279	20260	4073
Sago ...	lbs.	24514	21931
	£	32562
Silver, Lead Ore (Galena) ...	Cwt.	171	102
	£	516	258
Salt ...	Cwt.	10760	22	7918	17800	23609	40135	6106	13958	9899	43062	10719
	£	1810	3	1236	2589	3517	6021	1141	2532	1986	6751	1835
Salt (Rock) ...	Cwt.	210	656	3977	2200	3239	315	173	2694	1984
	£	20	92	524	331	558	50	32	409	315
Saltpetre ...	Cwt.	5	22	41	59	72	12	27	63	27	55
	£	6	34	56	73	93	22	40	94	45	65
Sarsaparilla ...	Gallons	200	87	217	1148	88	810	112	1396	13	2138	1483
	£	200	72	137	889	72	711	91	1367	11	2265	1328
Shale (Kerosene) ...	Tons	572	1567	1385	2715	3295	3690	3527	8154	4667	12202
	£	687	5515	4466	7248	10253	11584	10383	21314	14163	34063
Shells ...	Tons	46
	£	2760
Ship Chandlery ...	Pkgs.	88	111	220	173	163	177	412	317	455	282
	£	314	424	1214	974	1172	1917	2892	1449	3806	2246

Shooks and Staves (and Casks) ...	No.	5112	2909	5351	5795	2580	2035	1143	1555	1683	1032	1460	42	100	1103	1244	739	
	Tuns	280	183	151	502	1099	937	170	
	Pkgs.	1347	488	349	14	461	256	659	207	520	491	853	589	1973	220	270	539	2121	205	1538	1489
Silk cocoons ...	£	5051	2625	3444	2964	1674	1029	2131	786	1877	806	3327	628	2961	607	860	1244	1575	600	759	1110
	Pkgs.
Silver ore ...	£
	Cwt.	20
Silver ...	£	4
	Ozs.	753	11391	13868	3459	71312	49545	66998	78027	52553	69179	130	31409	60564	
Skins—	£	199	4060	3801	780	18681	12663	16278	18880	12794	15456	32	6673	13291	
	No.	53497	13003	45256	1409	47300	397	50463	2819	35235	2290	42185	356	54259	3759	76411	967	104783	5586	75724	905	
Horned cattle ...	£	38850	6239	40142	905	44205	347	52666	2247	36328	2588	46540	381	61387	4081	76251	967	97315	5600	62665	898	
	No.
Horse ...	£
	Bundles
Sheep ...	£	541	90	401	5	380	92	667	157	212	93	132	57	151	63
	Pkgs.	7347	912	3712	58	4078	938	7864	3802	2698	1047	2009	881	1990	700	3371	1865	34100	660	24080	1102	
Kangaroo ...	£
	Bundles
Pelts ...	£
	Pkgs.
Opossum... ..	£
	Bundles
All other ...	£
	Pkgs.	24	1193	3191	14804	2232	1731	306	3807	1	2755	1
Slates ...	£	262	438	1444	6958	820	991	1562	16	1025	17
	No.
Soap ...	£
	Cwt.	2998	711	1866	610	2907	150	3991	319	2192	369	3024	173	4368	68	3410	4738	6408	
Soda (Crystals) ...	£	4137	749	2278	669	3366	183	4422	384	2658	514	3652	195	5140	106	4110	5610	7231	
	Cwt.
Specimens of Natural History...	£
	Pkgs.	19	13	59	8	22	68	9	17	34	43	42	57	28	12	59
Spirits—	£	147	18	265	65	139	162	78	108	189	1292	154	335	205	97	617
	Gallons	96193	93412	80709	107730	150168	132196	110303	135057	117863	111134
Brandy ...	£	42652	42161	36739	49017	63697	69366	59874	72055	68040	62038
	Gallons	200	21863	13796	27354	12948	29286	29546	18996	13638
Rum ...	£	39	4661	2866	5157	2208	4349	4822	3659	3381	3022
	Gallons	36780	46430	48741	63577	50652	38352	34155	46185	49985	41486
Geneva and Schnapps ...	£	8355	10313	10061	15398	13474	11445	11532	15105	12700
	Gallons	3455	3710	3413	3296	3340	5495	1305	1535	925
Gin ...	£	1469	1383	1439	1350	1078	2090	493	559	333
	Gallons	735	635	1321	1521	41	2692	1716	1489	2930	878
Liqueurs ...	£	918	583	918	1112	1797	1361	1290	2284	825
	Gallons
Methylated ...	£
	Gallons	206	154	348	546	234	260	161	169	334	166
Perfumed ...	£	487	326	449	1032	443	594	364	655	433
	Gallons	6084	7139	5286	9215	10399	9248	10096	14876	15288
Whiskey ...	£	2102	2484	1847	3219	3078	3070	3614	6079	6536
	Gallons
Distilled in the Colony... ..	£
	Gallons	1418	742	624	466	1364	1923	1507	1431	1184
All other... ..	£	270	249	291	419	527	712	676	925	599
	Gallons

EXPORTS—DECENNIAL RETURN—continued.

Articles.	Quantity and Value.	1869.		1870.		1871.		1872.		1873.		1874.		1875.		1876.		1877.		1878.		
		Produce of the Colony.	Other Produce.	Produce of the Colony.	Other Produce.	Produce of the Colony.	Other Produce.	Produce of the Colony.	Other Produce.	Produce of the Colony.	Other Produce.	Produce of the Colony.	Other Produce.	Produce of the Colony.	Other Produce.	Produce of the Colony.	Other Produce.	Produce of the Colony.	Other Produce.	Produce of the Colony.	Other Produce.	
Steam Launches ...	No. £	I 500	I 275	I 400	2 618	3 1050	
Starch ...	lbs. £	58238	142504	
Starch and Blue ...	Pkgs. £	1814 2176	1277 1372	605 782	1049 1165	1564 1424	1361 1566	2445 3701	82244	1089	2483	
Stationery— Paper (Printing)...	Bales £	359	293	364	458	611	
Paper (Brown and Wrapping) ...	Cwt. £	3713	4003	4049	6472	7414	
Paper (Writing and Fancy) ...	lbs. £	3990	740	962½	1901½	635½	
Paper and Docu- ments ...	Pkgs. £	78 694	460 3696	220 1167	309 2288	186 702	479 3975	5 14	417 3668	45 299	534 4147	48 363	472 3989	105 918	520 4321	
Stationery, Books, and Periodicals	Pkgs. £	4 23	448 5627	53 564	489 5774	20 162	830 10551	17 74	1117 11972	27 192	979 11580	44 249	717 10937	40 213	895 15385	48 647	1304 20205	71 688	1874 38309	88 705	2295 48749	
Stationery and Sundries	Pkgs. £	605 7029	6 101	635 7219	7 95	886 12259	25 212	1267 18227	13 90	1627 24880
Stones— Ballast ...	Tons £	20	60	
Stones ...	No. & Pks £	5	200	
Building ...	Blocks Tons £	344 93	6 16	277 103	19 30	101 199	35 50	324 819	489 979	
Grinding ...	No. £	40 12	356 201	96 37	322 123	144 84	380 158	47 34	428 175	79 50	309 198	44 13	407 236	491 256	588 256	612	426	
Tomb ...	No. Pkgs. £	8 64	4 21 97 90 90 495 495 671 86 66 654 380	85 272	43 324	51 58 501	
Mill ...	No. £	2 10	4 67	24 180	4 57	3 15	4 11 11	2	1 2	
Whet ...	Pkgs. £	34 55	
Stoves ...	No. £	2 11	49 183	9 57	66 210	2 11	56 224	53 265	36 191	35 202	68 417	31 318	68 399	
Statuary ...	Pkgs. £	18 148	5 75	
Sugar— Raw ...	Cwt. £	41327 64058	27958 43439	40716 64322	15 24	40020 60552	14016½ 22678	9684 14728	18408 27210	700 900	7000 10954	20 34	9037½ 14006	10046 15608
Refined ...	Cwt. £	33857 67126	472 1013	26612 54367	229 550	27396 53372	369 1001	30508 58599	265 706	18843 33671	318½ 771	21143 34037	291 777	49761 80181	305 783	104255½ 168147	397½ 1083	80124½ 137234	1263½ 3235	84072½ 135138	454½ 1185	
Sundries ...	Bales Pkgs. £	1428 3535	2267 7659	940 3370	1890 5543	1625 4778	3075 7743	4108 6898	2890 11204	2226 7829	2698 12237	3183 9361	4466 18850	3001 7957	4037 21501	3082 7527	4965 24817	2062 9450	5675 40204	3402 19284	5694 25940	

Tallow	Cwt.	96667	17466	134262	23044	150452	40123	105233	21547	66504	12399	63349	8036	65641	3357	73525	11092	90169	10221	60035	1291
	£	167536	34298	223787	36397	245727	65612	176798	36352	106138	21150	99649	14040	106285	5316	119388	17564	147790	16771	96076	1942
Tea	lbs.		1272489		1075280		1368366		1371431		1011709		735269		544948		927321		717819		881307
	£		107679		90897		109612		102483		77564		51688		40385		69070		56156		69389
Telegraphic Materials..	Pkgs.																				131
	£																				540
Tiles (Roofing) ...	No.	77985		21												200		269			
	£	835		4												5		20			
Timber—																					
Dressed and Un-	No.				202		67		1032												
dressed	Feet	3393260	58596	3148131	91036	4108398	83431	4641150	56132	6223940	124910	5361788	127956	6871900	196873	3515200	27737	3102029	164345	4096802	408181
	£	20066	635	18024	744	22827	318	30642	820	44753	673	39314	1288	48656	1561	22960	257	25664	1511	35033	4107
Spokes and Felloes	No.	191529		189479		285674		223816		202498		384652		271953		213295		156621	800	740431	202
	£	1520		2592		2455		2126		2197		5349		3305		2156		2189	14	4877	5
Posts and Rails ...	No.	435																			
	£	22																			
Sleepers, Girders, and Poles	No.			513		143		466		53		221				907		403			
	£			132		54		116		24		15				2049		1172			
Spars, Poles, &c...	No.																				30
	£																				84
Treenails	No.	63366		19856				5500		17700		38481		16170		3250		23000		14656	
	£	130		75				29		80		166		91		16		97		68	
Palings	No.	34400	64928	30628	35000	22200	19850	17800	173310	34530	197360	54950	80600	54440	61960	7500	102150	19000	52675	18533	16030
	£	197	201	153	139	115	97	110	1058	223	1123	390	580	414	401	52	718	144	359	142	121
Girders	No.													715		94					
	£													1990		190					
Doors, Sashes, and Shutters	No.																227	13	741	18	96
	£																61	13	470	15	73
Laths	No. & pks									1650											
	Bdls.	240		4000		633	380														876
	£	50		250		131	63	952	15	99	61500	212700		107100							
Sandalwood	Tons.		1½		8		7		8		51				47½		11		54		
	£		80		208		196		320		1503		215		915		200		1118		
Piles, Logs, and Spars ...	No.			142		1080		712		2291		2350		2531							
	£			358		2163		2038		5342		6760		12042							
Shingles...	Bdls.	6564	1320			1290		4494		7305	1540	640		825							
	No.														165400		40700		61350		
	£	721	55			226		714		897	189	86		125		278		58		108	
Stocks and Naves..	Pairs	1043		665		1302		1625		1915		2317		2999							
	£	273		198		341		370		599		688		718							
Tin—																					
Ingots	Cwt.							943	895	18225	2370	82024	19868	110725	10436	108982	8907	144604	9339	121700	11354
	£							6482	6141	107795	13894	366189	89929	435918	39241	379318	30942	477952	29838	362072	35389
Slag	Tons																			405	
	£																			1335	
Stone	Cwt.											1080									
	£											1120									
Ore	Cwt.							10957	9675	48195	30105	16362	3082	401		175		16475		22490	21
	£							39421	36534	164141	99174	53133	9795	1002		320		30558		33750	27

EXPORTS—DECENNIAL RETURN—continued.

Articles.	Quantity and Value.	1869.		1870.		1871.		1872.		1873.		1874.		1875.		1876.		1877.		1878.	
		Produce of the Colony.	Other Produce.	Produce of the Colony.	Other Produce.	Produce of the Colony.	Other Produce.	Produce of the Colony.	Other Produce.	Produce of the Colony.	Other Produce.	Produce of the Colony.	Other Produce.	Produce of the Colony.	Other Produce.	Produce of the Colony.	Other Produce.	Produce of the Colony.	Other Produce.	Produce of the Colony.	Other Produce.
Tinware ...	Pkgs.	35	106	38	36	74	14	42	64	8	121	21	65	51	50	16	57	37	30	57	32
	£	128	258	247	220	197	117	227	828	59	1050	136	564	509	435	114	462	237	281	292	145
Tinplate ...	Boxes																				
	Bales																5523				
Tobacco—	Pkgs.		2		1045		339		843		476		1162		3164						
	£		3		1685		662		1724		1015		3034		7458		10620		6968		455
Manufactured ...	lbs.	745	729083	3517	604448	2152	494197	6948	488103	3136	510748	2000	386927	1580	397393	1967	424666	274	444264	185	475037
	£	44	43802	113	35642	76	28190	292	28792	157	31549	100	22815	132	19451	138	27229	20	30342	17	34374
Leaf ...	lbs.				8795		16469	40	250		3072		4608		47390		212870		64281		17920
	£				332		168	2	10		153		191		1650		11125		2879		841
Cigars ...	lbs.		14976		7733		9312		17462		11946		19216	12	10368	78	21535		35501		36761
	£		4475		2719		2863		6596		4351		8765	4	4115	34	8568		15322		13034
Snuff ...	lbs.		642		640		100				99		142						392		
	£		74		76		20				30		26						26		
Tortoiseshell ...	lbs.		2856		3694		6569		10118		2405		5594		4028		5984		3494		3326
	£		1815		1633		2342		3191		1526		4291		2088		4286		2268		2111
Toys, Fancy Goods, and Perfumery..	Pkgs.	14	1248	5	1545		1974		3092	3	1851		1972		1961		2272		2524		2925
	£	19	19792	55	26571		28264		36648	17	36674		31039		36247		36456		58340		59987
Turpentine ...	Gallons																2034		1981		2037
	£																496		474		440
Turnery and Wood-ware ...	Pkgs.	443	1274	440	724	665	497	453	904	375	1348	586	791	568	908	478	1400	1451	1281	762	1188
	£	814	1147	990	903	1255	894	1092	1356	666	1619	1495	1438	1514	1685	1044	1810	3425	2444	1447	2282
Turpentine and Varnish ...	Gallons		510		1257		2021		1314		1665		2841		2082						
	£		130		286		384		365		396		811		589						
Upholstery ...	Bales														51		76		105		41
	Pkgs.	32	83	9	38	21	29	49	55	52	55	87	53	49	40						39
Varnish ...	£	86	533	61	413	101	1134	128	965	371	671	450	714	401	476	327	1116	374	505	191	254
	Gallons																240		331		519
Vermicelli, Macaroni, and Tapioca	£																134		211		235
	Pkgs.		42		22		62		70		89		101		162		100		74		79
Vinegar ...	£		121		68		195		220		337		495		339		274		212		292
	Gallons	149	5546	85	5418		4996		9025		7689		7796		7729	326	11131	688	12048	2615	11214
Whalebone ...	£		493	7	406		383		844		786		891		877	19	1276	38	1410	128	1234
	Cwt.		31		14		10		85		146		52		80		257		16		18
Watches and Clocks	£		140		50		55		1500		1682		402		1596		1450		218		270
	Pkgs.		190		195		164		349	1	479		392		445		591		455		436
Whiting and Chalk	£		721		675		659		1398	6	2908		2432		2607		3869		4276		3530
	Casks																190		107		99
Wine ...	Pkgs.		215		170		98		339		161		251		86						
	£		141		181		63		230		119		150		69		130		71		79
Wire ...	Gallons	3014	62699	5059	50313	3497	44493	4506	63510	6405	65195	5899	53908	5961	51999	6882	50757	10591	47080	9969	41938
	£	2010	26966	3337	15767	1679	15416	2397	23366	3082	25379	2963	23106	3271	23463	3240	24294	4502	23076	4910	23236
Wire (Galvanized)	Bundles						4210		6642		3881		4089		3917						
	Tons																				
Wire (Galvanized)	Bales				5181																
	Pkgs.		6485																		
Wire (Galvanized)	£		7442		4694		4490		9008		8574		11036		7209		8535		11088		8127
	Cwt.																		882		1520
	£																		1175		2247

IMPORTS AND EXPORTS.

IMPORTS.

No. 60.—DECENNIAL RETURN of the Total Value of IMPORTS into the Colony, distinguishing the Countries from whence Imported.

Year.	From Great Britain.	From British Colonies.								From South Sea Islands.	From Fisheries.	From United States of America.	From Foreign States.	Total Seaward and Overland.	General Total.	
		Victoria.	South. Australia.	Tasmania.	New Zealand.	Queensland.	Other British Possessions.	Total.	Total British Colonies.							
	£	£	£	£	£	£	£	£	£	£	£	£	£	£	£	
1869 ...	Seaward ...	3,544,285	494,855	412,593	87,069	300,016	1,473,008	459,541	3,227,082	} 3,919,092 {	} 15,547	} 1,574	} 154,855	} 757,400	} 7,700,743	} 8,392,753
	Overland*	581,159	110,851	692,010							
1870 ...	Seaward ...	3,200,706	705,387	270,798	90,827	298,951	1,240,877	573,462	3,180,302	} 3,724,292 {	} 11,387	} 1,637	} 154,799	} 664,460	} 7,213,291	} 7,757,281
	Overland	448,308	95,682	543,990							
1871 ...	Seaward ...	3,252,617	1,206,604	589,727	107,002	881,501	1,596,231	518,750	4,899,815	} 5,528,104 {	} 75,806	} 11,794	} 126,372	} 614,815	} 8,981,219	} 9,609,508
	Overland	491,632	135,098	1,559	628,289							
1872 ...	Seaward ...	3,728,457	724,596	501,183	103,018	326,369	1,786,544	589,677	4,031,387	} 4,652,853 {	} 162,361	} 18,304	} 114,682	} 531,839	} 8,587,030	} 9,208,496
	Overland	464,185	152,720	4,561	621,466							
1873 ...	Seaward ...	5,137,139	624,365	566,357	128,770	198,368	1,861,896	846,865	4,226,621	} † 4,234,981 {	} 145,124	} 15,377	} 181,250	} 757,612	} 10,463,123	} † 10,471,483
	Overland†	8,360	8,360							
1874 ...	Seaward ...	4,888,725	896,976	574,421	145,865	233,981	2,213,575	901,623	4,966,441	} 5,423,260 {	} 114,188	} 2,897	} 233,845	} 630,824	} 10,836,920	} † 11,293,739
	Overland‡	452,086	4,733	456,819							
1875 ...	Seaward ...	6,062,226	1,121,107	721,701	167,870	135,480	2,272,065	867,252	5,285,475	} 6,501,070 {	} 56,600	} 5,317	} 203,539	} 661,448	} 12,274,605	} 13,490,200
	Overland	945,049	§ 266,232	4,314	1,215,595							
1876 ...	Seaward ...	5,763,533	1,139,897	748,285	207,075	258,441	1,981,996	949,875	5,285,569	} 6,957,463 {	} 32,808	} 4,400	} 277,540	} 637,032	} 12,000,882	} 13,672,776
	Overland	1,246,880	417,421	7,593	1,671,894							
1877 ...	Seaward ...	6,471,780	1,171,278	557,454	374,393	223,482	2,218,334	733,379	5,278,320	} 6,903,952 {	} 23,305	} 2,550	} 481,565	} 723,442	} 12,980,962	} 14,606,594
	Overland	1,360,171	253,838	11,623	1,625,632							
1878 ...	Seaward ...	6,658,628	1,539,788	502,486	286,343	245,907	1,803,843	567,278	4,945,645	} 6,700,484 {	} 58,127	}	} 622,261	} 729,373	} 13,016,034	} 14,768,873
	Overland	1,357,715	387,205	9,919	1,754,839							

* From the 19th March, *via* Corowa. † No returns of the Overland Trade with Victoria and South Australia. ‡ Some of the returns of the Overland Trade with Victoria and South Australia are for broken periods, viz., *via* Albury, from 1 February, *via* Corowa, Moama, Swan Hill, and Wentworth, from 1 September. § The values of 95 packages drapery, 1,497 cases of hardware and ironmongery, 2,465 packages oilmen's stores, and 2,451 packages sundries, are not given in the return.

IMPORTS AND EXPORTS—continued.
EXPORTS.

No. 61.—DECENNIAL RETURN of the Total Value of EXPORTS from the Colony, distinguishing the Countries to which Exported.

Year.	To Great Britain.	To British Colonies.								To South Sea Islands.	To Fisheries.	To United States of America.	To Foreign States.	Total Seaward and Overland.	General Total.	
		Victoria.	South Australia.	Tasmania.	New Zealand.	Queensland.	Other British Colonies.	Total.	Total British Colonies.							
	£	£	£	£	£	£	£	£	£	£	£	£	£	£	£	
1869	Seaward	3,267,019	725,404	31,139	21,523	319,855	778,389	2,125,374	4,001,684	6,357,402	102,053	363	52,439	154,166	7,577,724	9,933,442
	Overland*	2,099,989	255,729						2,355,718							
1870	Seaward	2,492,640	771,704	24,822	26,555	197,025	639,761	1,397,368	3,057,235	5,194,508	131,918		38,817	132,155	5,852,765	7,990,038
	Overland	1,811,848	325,425						2,137,273							
1871	Seaward	4,378,281	1,549,845	65,914	23,049	285,463	692,590	431,675	3,048,536	6,508,802	109,961		106,736	141,252	7,784,766	11,245,032
	Overland	3,027,714	424,732				7,820		3,460,266							
1872	Seaward	4,926,728	734,569	137,682	54,993	228,930	1,010,259	538,107	2,704,540	5,146,018	106,547		118,749	149,007	8,005,571	10,447,049
	Overland	2,123,622	304,334				13,522		2,441,478							
1873	Seaward	6,657,559	608,847	174,340	36,044	279,153	807,451	325,940	2,231,775	† 2,304,491	88,458		74,799	262,566	9,315,157	† 9,387,873
	Overland†						72,716		72,716							
1874	Seaward	5,737,066	801,979	157,724	52,127	273,910	1,010,255	413,997	2,709,992	‡ 6,098,223	85,067		165,093	260,154	8,957,372	‡ 12,345,603
	Overland‡	2,812,477	500,044				75,710		3,388,231							
1875	Seaward	6,374,503	723,096	80,844	44,274	362,764	1,014,559	395,306	2,620,843	6,838,755	43,249		148,125	266,948	9,453,668	13,671,580
	Overland	3,546,674	573,388				97,850		4,217,912							
1876	Seaward	5,918,187	748,871	92,171	53,484	480,241	1,036,602	267,669	2,679,038	6,637,018	45,145		148,116	255,475	9,045,961	13,003,941
	Overland	3,294,795	577,967				85,218		3,957,980							
1877	Seaward	6,018,926	1,028,184	142,411	57,168	489,856	1,435,707	352,458	3,505,784	6,648,564	48,059		108,273	301,997	9,983,039	13,125,819
	Overland	2,869,945	210,414				62,421		3,142,780							
1878	Seaward	5,516,437	1,032,795	98,888	75,453	588,419	1,160,892	332,176	3,288,623	6,965,745	52,166		128,805	302,726	9,288,757	12,965,879
	Overland	2,661,639	954,754				60,729		3,677,122							

* From the 19th March, *via* Corowa. † No returns of the Overland Trade with Victoria and South Australia.
‡ Some of the returns of the Overland Trade with Victoria and South Australia are for broken periods, *viz.*, *via* Albury from 1 February, and *via* Corowa and Moama from 1 September.

IMPORTS AND EXPORTS—*continued.*

EXPORTS.

No. 62.—DECENNIAL RETURN of the Total Value of Articles EXPORTED, the Produce or Manufacture of New South Wales, &c., &c., &c.

Year.	Articles the Produce or Manufacture of New South Wales.		Articles the Produce or Manufacture of other Countries.		Total.		General Total.
	Seaward.	Overland.	Seaward.	Overland.	Seaward.	Overland.	
1869	£ 5,519,859	£ 2,343,733	£ 2,057,865	£ 11,985	£ 7,577,724	£ 2,355,718	£ 9,933,442
1870	4,165,304	2,125,567	1,687,461	11,706	5,852,765	2,137,273	7,990,038
1871	5,757,574	3,448,527	2,027,192	11,739	7,784,766	3,460,266	11,245,032
1872	5,601,982	2,433,134	2,403,589	8,344	8,005,571	2,441,478	10,447,049
1873	6,870,433	* 72,716	2,444,724	*	9,315,157	* 72,716	* 9,387,873
1874	6,784,941	† 3,384,502	2,172,431	† 3,729	8,957,372	† 3,388,231	† 12,345,603
1875	7,258,022	4,213,874	2,195,645	4,038	9,453,668	4,217,912	13,671,580
1876	6,753,485	3,938,468	2,292,476	19,512	9,045,961	3,957,980	13,003,941
1877	7,629,476	3,075,282	2,353,563	67,498	9,983,039	3,142,780	13,125,819
1878	7,099,099	3,617,412	2,189,658	59,710	9,288,757	3,677,122	12,965,879

* No returns of the Overland Trade with Victoria and South Australia.

† Some of the returns of the Overland Trade with Victoria and South Australia are for broken periods, viz. :—*Via* Albury from 1 February, and *via* Corowa and Moama from 1 September.

IMPORT OF LIVE STOCK.

No. 63.—DECENNIAL RETURN of LIVE STOCK Imported into the Colony.

Year.	Description of Stock,										Total.		General Total.	
	Horses.		Horned Cattle.		Sheep.		Goats.		Pigs.		Number.	Value.		
	No.	£	No.	£	No.	£	No.	£	No.	£		£		
1869	{ Seaward ...	80	15,131	284	8,314	812	5,125	1,176	28,570	} 57,381
	{ Overland ...	839	3,551	4,177	19,018	15,496	6,242	20,512	28,811	
1870	{ Seaward ...	46	1,725	31	4,036	512	2,201	1	1	5	150	595	8,113	} 15,232
	{ Overland ...	377	1,829	91	4,298	496	992	964	7,119	
1871	{ Seaward ...	70	8,932	53	6,400	460	6,698	29	220	4	4	616	22,254	} 34,944
	{ Overland ...	168	935	168	1,617	25,345	10,138	25,681	12,690	
1872	{ Seaward ...	71	10,183	197	12,885	1,976	8,267	6	85	2,250	31,420	} 79,114
	{ Overland ...	599	3,003	2,943	16,467	80,488	28,171	49	53	84,079	47,694	
1873	{ Seaward ...	187	24,696	403	31,064	3,653	15,625	10	90	17	34	4,270	71,509	}
	{ Overland*	
1874	{ Seaward ...	308	19,397	238	5,567	3,037	8,273	63	191	2	6	3,648	33,434	} 44,890
	{ Overland ...	339	2,742	1,495	8,714	1,834	11,456	
1875	{ Seaward ...	224	19,211	241	6,949	2,643	15,405	37	31	1	5	3,146	41,601	} 86,672
	{ Overland ...	551	7,636	2,078	23,381	24,745	14,054	27,374	45,071	
1876	{ Seaward ...	251	24,587	209	14,272	18,155	26,258	5	38	2	20	18,622	65,175	} 134,275
	{ Overland ...	417	5,172	5,711	32,712	37,672	31,211	4	5	43,804	69,100	
1877	{ Seaward ...	717	16,573	207	4,828	1,102	4,634	8	146	22	68	2,056	26,249	} 207,223
	{ Overland ...	846	12,378	3,356	10,591	328,960	157,993	6	12	333,168	180,974	
1878	{ Seaward ...	237	17,929	183	6,079	787	4,421	7	34	49	367	1,263	28,830	} 341,801
	{ Overland ...	555	11,993	5,270	51,200	495,081	249,722	54	56	500,960	312,971	

* No Returns.

STATISTICS—1878.

165

IMPORTS AND EXPORTS—continued.

EXPORT OF LIVE STOCK.

No. 64.—DECENNIAL RETURN of LIVE STOCK Exported—the produce of the Colony.

Year.	Description of Stock.										Total.		General Total.
	Horses.		Horned Cattle.		Sheep.		Mules and Asses.		Pigs.		Number.	Value.	
	No.	£	No.	£	No.	£	No.	£	No.	£		£	
1869	Seaward ...	1,638	27,677	1,279	6,642	5,876	3,348	...	3,486	3,732	12,279	41,399	921,860
	Overland ...	3,104	16,861	64,910	401,690	456,692	461,455	...	461	455	525,167	880,461	
1870	Seaward ...	529	9,509	1,834	10,227	4,498	2,745	...	7,990	12,730	14,851	35,211	778,912
	Overland ...	5,104	23,221	61,046	406,125	799,851	313,756	...	673	599	866,674	743,701	
1871	Seaward ...	438	9,115	2,053	13,814	5,654	3,666	2	8	9,463	14,727	17,610	956,403
	Overland ...	3,592	18,223	80,450	475,930	934,847	420,741	...	346	179	1,019,235	915,073	
1872	Seaward ...	964	23,552	1,312	9,538	3,867	2,695	...	5,598	10,196	11,741	45,981	818,850
	Overland ...	2,357	12,456	71,354	451,556	634,467	307,417	...	1,281	1,440	709,459	772,869	
1873	Seaward ...	1,249	35,507	3,623	33,543	4,780	4,132	1	10	5,450	8,662	15,103
	Overland*	
1874	Seaward ...	2,298	49,808	2,500	33,596	7,079	5,994	9	170	4,032	6,695	15,918	772,560
	Overland ...	8,183	29,226	49,064	369,025	521,048	277,344	...	10,164	702	588,459	676,297	
1875	Seaward ...	1,998	47,651	3,006	37,233	8,329	6,222	1	10	3,381	5,704	10,715	1,191,319
	Overland ...	4,801	29,524	61,667	513,205	1,016,826	549,959	...	1,446	1,811	1,084,740	1,094,499	
1876	Seaward ...	1,454	38,230	2,518	37,016	8,128	6,559	7	102	2,546	4,790	14,653	1,141,177
	Overland ...	4,353	32,313	67,371	501,180	1,076,048	519,695	...	1,149	1,292	1,148,921	1,054,480	
1877	Seaward ...	1,408	41,827	2,851	34,352	5,037	3,249	...	981	1,738	10,277	81,166	894,119
	Overland ...	3,739	42,512	60,024	392,942	746,375	377,240	...	232	259	810,370	812,953	
1878	Seaward ...	1,256	34,056	2,205	41,540	5,923	3,723	...	563	834	994	80,153	734,979
	Overland ...	2,423	32,385	48,950	353,680	572,534	268,337	...	340	424	624,247	654,826	

* No returns.

NOTE.—Previous to 1876 the export overland includes a small portion of Live Stock belonging to the adjacent Colonies, but the numbers are unknown.

EXPORT OF WOOL.

No. 65.—DECENNIAL RETURN of the Quantity and Value of Wool Exported—the produce of the Colony.

Year.	Seaward.		Overland.		Total.		
	Quantity.	Value.	Quantity.	Value.	Quantity.	Value.	
	lbs.	£	lbs.	£	lbs.	£	
1869	29,938,837	1,762,912	21,330,835	1,399,610	51,269,672	3,162,522	
1870	25,757,300	1,412,925	21,683,310	1,328,216	47,440,610	2,741,141	
1871	38,417,902	2,297,252	27,194,051	2,450,908	65,611,953	4,748,160	
1872	29,618,833	1,979,501	20,614,620	1,363,399	50,233,453	3,342,900	
1873	Washed & scoured ...	21,731,877	1,701,347	*125,680	*9,426	31,606,846	2,201,910
	Greasy ...	9,749,289	490,837				
1874	Washed & scoured ...	22,038,120	1,759,664	39,679,961	2,599,698	75,156,924	5,010,125
	Greasy ...	13,438,843	650,763				
1875	Washed ...	23,230,425	1,869,960	47,885,133	2,990,541	87,534,280	5,651,643
	Greasy ...	16,418,722	791,142				
1876	Washed ...	21,711,823	1,656,880	42,472,756	1,960,780	100,736,330	5,565,173
	Greasy ...	25,292,527	1,153,423				
1877	Washed ...	22,655,077	1,686,434	41,494,416	1,732,328	102,150,246	5,256,038
	Greasy ...	32,081,037	1,428,034				
1878	Washed ...	21,083,426	1,471,408	21,383,893	1,379,959	111,833,017	5,723,316
	Greasy ...	34,984,358	1,482,253				

* Exported into Queensland by drays. No returns have been prepared of the traffic across and *via* the river Murray.
1878.—Exported also, in addition to the above, 4,172,913 lbs. of Foreign Wool, of the value of £236,890.

EXPORT OF TALLOW.

No. 66.—DECENNIAL RETURN of the Quantity and Value of TALLOW Exported—the produce of the Colony.

Year.	Seaward.		Overland.		Total.	
	Quantity.	Value.	Quantity.	Value.	Quantity.	Value.
	cwt.	£	cwt.	£	cwt.	£
1869	96,667	167,536	*4,955	*9,523	101,622	177,059
1870	134,262	223,787	2,399	4,032	136,661	227,819
1871	150,452	245,727	7,893½	12,596	158,345½	258,323
1872	105,233	176,798	2,402	3,567	107,635	180,365
1873	66,504	106,138	†100	†150	66,604	106,288
1874	63,348½	99,649	‡3,705	‡4,502	67,053½	104,151
1875	65,641	106,285	3,917½	5,787	69,558½	112,072
1876	73,525	119,388	4,014	5,446	77,539	124,834
1877	87,158½	143,084	3,010½	4,706	90,169	147,790
1878	53,043	86,949	6,992	9,127	60,035	96,076

* *Viz* Corowa, from 19th March. † No returns of the Overland trade with Victoria and South Australia. ‡ Some of the returns of the Overland de with Victoria and South Australia are for broken periods, viz. —*Viz* Albury, from 1st Feb., and *viz* Corowa and Moama, from 1st Sept.

SHIPPING.

VESSELS INWARDS.

No. 67.—RETURN showing the NUMBER, TONNAGE, and CREWS of VESSELS ENTERED at PORTS in the Colony, from each Country, in the Year 1878.

Countries whence arrived.	Description of Vessels.	British.									Foreign.									Total.								
		With Cargoes.			In Ballast.			Total.			With Cargoes.			In Ballast.			Total.			With Cargoes.			In Ballast.			Total.		
		Vessels.	Tons.	Crews.	Vessels.	Tons.	Crews.	Vessels.	Tons.	Crews.	Vessels.	Tons.	Crews.	Vessels.	Tons.	Crews.	Vessels.	Tons.	Crews.	Vessels.	Tons.	Crews.	Vessels.	Tons.	Crews.	Vessels.	Tons.	Crews.
Africa ...	Sailing	1	400	9	1	400	9	1	748	17	2	1239	30	3	1987	47	1	748	17	3	1639	39	4	2387	56
America ...	Steam ...	3 5	2599 8567	61 505	3 5	2599 8567	61 505	30 8	24467 22846	398 818	30 8	24467 22846	398 818	33 13	27066 31413	459 1323	33 13	27066 31413	459 1323	
Belgium ...	Sailing ...	8	11166	566	8	11166	566	38	47313	1216	38	47313	1216	46	58479	1782	46	58479	1782	
British Columbia ...	"	2	1558	35	2	1558	35	2	1558	35	2	1558	35	
Canada ...	"	1	826	15	1	826	15	1	826	15	1	826	15	
Ceylon ...	"	2	1393	35	2	1393	35	2	1393	35	2	1393	35	
Ceylon ...	"	1	341	10	1	341	10	1	341	10	1	341	10	
China ...	Steam ...	6 2	2442 1811	81 100	6 2	2442 1811	81 100	1 ...	410 ...	13	1 ...	410 ...	13 ...	7 2	2852 1811	94 100	7 2	2852 1811	94 100	
China ...	Steam ...	8	4253	181	8	4253	181	1	410	13	1	410	13	9	4663	194	9	4663	194	
Fiji ...	Sailing ...	5	907	44	1	439	12	6	1346	56	5	907	44	1	439	12	6	1346	56	
Fiji ...	Steam ...	11	7374	353	11	7374	353	11	7374	353	11	7374	353	
France ...	Sailing ...	16	8281	397	1	439	12	17	8720	409	16	8281	397	1	439	12	17	8720	409	
France ...	Sailing ...	5	2288	58	5	2288	58	5	2288	58	5	2288	58	
Great Britain ...	Steam ...	128 17	145754 27954	3486 1370	128 17	145754 27954	3486 1370	128 17	145754 27954	3486 1370	128 17	145754 27954	3486 1370	
Great Britain ...	Steam ...	145	173708	4856	145	173708	4856	145	173708	4856	145	173708	4856	
Hong Kong ...	Sailing ...	6	3050	96	6	3050	96	1	632	20	1	632	20	7	3682	116	7	3682	116	
Hong Kong ...	Steam ...	26	21138	1813	26	21138	1813	26	21138	1813	26	21138	1813	
Hong Kong ...	Steam ...	32	24188	1909	32	24188	1909	1	632	20	1	632	20	33	24820	1929	33	24820	1929	
India ...	Sailing	1	1500	26	1	1500	26	1	1500	26	1	1500	26	
Japan ...	Steam ...	3 1	1112 585	35 16	3 1	1112 585	35 16	1	542	13	1	542	13	4 1	1654 585	48 16	4 1	1654 585	48 16	
Japan ...	Steam ...	4	1697	51	4	1697	51	1	542	13	1	542	13	5	2239	64	5	2239	64	

SHIPPING—continued.
VESSELS INWARDS—continued.

Countries whence arrived.	Description of Vessels.	British.									Foreign.									Total.								
		With Cargoes.			In Ballast.			Total.			With Cargoes.			In Ballast.			Total.			With Cargoes.			In Ballast.			Total.		
		Vessels.	Tons.	Crews.	Vessels.	Tons.	Crews.	Vessels.	Tons.	Crews.	Vessels.	Tons.	Crews.	Vessels.	Tons.	Crews.	Vessels.	Tons.	Crews.	Vessels.	Tons.	Crews.	Vessels.	Tons.	Crews.	Vessels.	Tons.	Crews.
Java ...	Sailing ...	7	3646	94	7	3646	94	4	2288	58	4	2288	58	11	5934	152	11	5934	152
	Steam	5	4380	458	5	4380	458	5	4380	458	5	4380	458
Manila ...	Sailing ...	7	3646	94	7	3646	94	9	6668	516	9	6668	516	16	10314	610	16	10314	610
	Steam ...	3	1206	36	3	1206	36	3	1206	36	3	1206	36
Mauritius ...	"	12	5504	154	12	5504	154	9	3157	96	9	3157	96	21	8661	250	21	8661	250
New Caledonia ...	Sailing ...	27	7834	315	1	100	5	28	7934	320	7	1936	93	6	2809	83	13	4745	176	34	9770	408	7	2909	88	41	12679	496
	Steam ...	12	8587	480	12	8587	480	1	382	20	1	382	20	13	8969	500	13	8969	500
New Zealand ...	Sailing ...	39	16421	795	1	100	5	40	16521	800	8	2318	113	6	2809	83	14	5127	196	47	18739	908	7	2909	88	54	21648	996
	Steam ...	125	36222	1117	230	81122	2261	355	117344	3378	2	1010	25	23	8728	218	25	9738	243	127	37232	1142	253	89850	2479	380	127082	3621
Philippine Islands..	Sailing ...	49	42955	1940	7	6297	234	56	49252	2174	49	42955	1940	7	6297	234	56	49252	2174
	Steam ...	174	79177	3057	237	87419	2495	411	166596	5552	2	1010	25	23	8728	218	25	9738	243	176	80187	3082	260	96147	2713	436	176334	5795
Queensland ...	Sailing	1	345	9	1	345	9	1	345	9	1	345	9
	Steam ...	86	14916	593	78	27357	780	164	42273	1373	1	396	8	5	3066	53	6	3462	61	87	15312	601	83	30423	833	170	45735	1434
Singapore ...	Sailing ...	233	95867	6540	4	725	49	237	96592	6589	233	95867	6540	4	725	49	237	96592	6589
	Steam ...	319	110783	7133	82	28082	829	401	138865	7962	1	396	8	5	3066	53	6	3462	61	320	111179	7141	87	31148	882	407	142327	8023
South Australia ...	Sailing	1	1306	24	1	1306	24	1	1306	24	1	1306	24
	Steam ...	1	654	70	1	654	70	1	654	70	1	654	70
South Sea Islands...	Sailing ...	1	654	70	1	1306	24	2	1960	94	1	654	70	1	1306	24	2	1960	94
	Steam ...	126	52392	1448	31	22699	510	157	75091	1958	14	7970	164	7	4914	84	21	12884	248	140	60362	1612	38	27613	594	178	87975	2206
Tasmania ...	Sailing ...	1	244	14	1	244	14	1	244	14	1	244	14
	Steam ...	127	52636	1462	31	22699	510	158	75335	1972	14	7970	164	7	4914	84	21	12884	248	141	60606	1626	38	27613	594	179	88219	2220
Victoria ...	Sailing ...	33	6224	328	33	6224	328	6	2187	67	2	938	22	8	3125	89	39	8411	395	2	938	22	41	9349	417
	Steam ...	71	11169	493	17	5494	170	88	16663	663	1	290	13	1	290	13	72	11459	506	17	5494	170	89	16953	676
General Total...	Sailing ...	46	20151	1193	46	20151	1193	46	20151	1193	46	20151	1193
	Steam ...	117	31320	1686	17	5494	170	134	36814	1856	1	290	13	1	290	13	118	31610	1699	17	5494	170	135	37104	1869
Total ...	Sailing ...	133	41326	1220	267	113823	2846	400	155149	4066	5	1938	50	38	27943	515	43	29881	565	138	43264	1270	305	141766	3361	443	185030	4631
	Steam ...	383	250540	13828	71	44018	1542	454	294558	15370	6	7397	550	6	7397	550	389	257937	14378	71	44018	1542	460	301955	15920
General Total...	Sailing ...	516	291866	15048	338	157841	4388	854	449707	19436	11	9335	600	38	27943	515	49	37278	1115	527	301201	15648	376	185784	4903	903	486985	20551
	Steam ...	784	341883	9739	628	254240	6643	1412	596123	16382	85	49142	1059	83	49637	1005	168	98779	2064	869	391025	10798	711	303877	7648	1580	694902	18446
General Total...	Sailing ...	787	486427	28222	82	51040	1825	869	537467	30047	20	35005	1846	20	35005	1846	807	521432	30068	82	51040	1825	889	572472	31893
	Steam ...	1571	828310	37961	710	305280	8468	2281	1133590	46429	105	84147	2905	83	49637	1005	188	133784	3910	1676	912457	40866	793	354917	9473	2469	1267374	50339

STATISTICS—1878.

SHIPPING—continued.
VESSELS OUTWARDS.

No. 71.—RETURN showing the Total NUMBER, TONNAGE, and CREWS of VESSELS CLEARED at each Port in the Colony, in the Year 1878.

Countries to which departed.	Description of Vessels.	British.									Foreign.									Total.								
		With Cargoes.			In Ballast.			Total.			With Cargoes.			In Ballast.			Total.			With Cargoes.			In Ballast.			Total.		
		Vessels.	Tons.	Crews.	Vessels.	Tons.	Crews.	Vessels.	Tons.	Crews.	Vessels.	Tons.	Crews.	Vessels.	Tons.	Crews.	Vessels.	Tons.	Crews.	Vessels.	Tons.	Crews.	Vessels.	Tons.	Crews.	Vessels.	Tons.	Crews.
America ...	Sailing ...	73	86182	1795	73	86182	1795	16	10672	208	1	274	7	17	10946	215	89	96854	2003	1	274	7	90	97128	2010
	Steam ...	7	11999	711	7	11999	711	6	18108	598	6	18108	598	13	30107	1309	13	30107	1309
		80	98181	2506	80	98181	1506	22	28780	806	1	274	7	13	29054	813	102	126961	3312	1	274	7	103	127235	3319
Ceylon ...	Sailing ...	11	8347	186	11	8347	186	11	8347	186	11	8347	186	
Chili ...	" ...	7	4515	108	7	4515	108	1	906	17	2	1236	27	3	2142	44	8	5421	125	2	1236	27	10	6657	152
China ...	Sailing ...	29	17711	474	29	17711	474	11	4667	121	11	4667	121	40	22378	595	40	22378	595
	Steam ...	1	1305	40	1	1305	40	1	1305	40	1	1305	40
		30	19016	514	30	19016	514	11	4667	121	11	4667	121	41	23683	635	41	23683	635
Fiji ...	Sailing ...	5	1041	44	5	1041	44	1	76	5	1	76	5	6	1117	49	6	1117	49
	Steam ...	13	8311	500	13	8311	500	13	8311	500	13	8311	500
		18	9352	544	18	9352	544	1	76	5	1	76	5	19	9428	549	19	9428	549
Great Britain ...	Sailing ...	35	43006	1048	35	43006	1048	35	43006	1048	35	43006	1048
	Steam ...	11	26012	1277	11	26012	1277	1	1720	90	1	1720	90	12	27732	1367	12	27732	1367
		46	69018	2325	46	69018	2325	1	1720	90	1	1720	90	47	70738	2415	47	70738	2415
Guam ...	Sailing	1	1500	24	1	1500	24	1	1500	24	1	1500	24	
Hong Kong ...	" ...	40	27277	686	40	27277	686	36	25372	481	1	799	10	37	26171	491	76	52649	1167	1	799	10	77	53448	1177
	Steam ...	27	21678	1628	27	21678	1628	27	21678	1628	27	21678	1628
		67	48955	2314	67	48955	2314	36	25372	481	1	799	10	37	26171	491	103	74327	2795	1	799	10	104	75126	2805
Honolulu ...	Sailing	1	369	9	1	369	9	1	369	9	1	369	9	
India ...	" ...	24	24343	482	24	24343	482	4	1508	44	4	1508	44	28	25851	526	28	25851	526
Japan ...	" ...	18	12425	312	18	12425	312	17	11547	217	17	11547	217	35	23972	529	35	23972	529
Java ...	" ...	8	5554	127	8	5554	127	5	3242	65	1	830	16	6	4072	81	13	8796	192	1	830	16	14	9626	208
	Steam	4	3612	360	4	3612	360	4	3612	360	4	3612	360
		8	5554	127	8	5554	127	9	6854	425	1	830	16	10	7684	441	17	12408	552	1	830	16	18	13238	568
Manila ...	Sailing ...	19	10867	266	19	10867	266	7	3279	83	7	3279	83	26	14146	349	26	14146	349
Mauritius ...	" ...	3	1265	36	3	1265	36	2	517	23	2	517	23	5	1782	59	5	1782	59
New Caledonia...	" ...	23	7849	235	23	7849	235	3	810	29	3	810	29	26	8659	264	26	8659	264
	Steam ...	13	9112	520	13	9112	520	1	381	20	1	381	20	14	9493	540	14	9493	540
		36	16961	755	36	16961	755	4	1191	49	4	1191	49	40	18152	804	40	18152	804

I-967

STATISTICS—1878.

169

725

SHIPPING—continued.

VESSELS OUTWARDS—continued.

No. 71 (continued)—RETURN showing the Total NUMBER, TONNAGE, and CREWS of VESSELS CLEARED at each Port in the Colony, in the Year 1878—continued.

Countries to which departed.	Description of Vessels.	British.									Foreign.									Total.								
		With Cargoes.			In Ballast.			Total.			With Cargoes.			In Ballast.			Total.			With Cargoes.			In Ballast.			Total.		
		Vessels.	Tons.	Crews.	Vessels.	Tons.	Crews.	Vessels.	Tons.	Crews.	Vessels.	Tons.	Crews.	Vessels.	Tons.	Crews.	Vessels.	Tons.	Crews.	Vessels.	Tons.	Crews.	Vessels.	Tons.	Crews.	Vessels.	Tons.	Crews.
New Zealand ...	Sailing ...	332	104062	3066	332	104062	3066	14	5904	148	14	5904	148	346	109966	3214	346	109966	3214
	Steam ...	59	53210	1990	59	53210	1990	59	53210	1990	59	53210	1990
		391	157272	5056	391	157272	5056	14	5904	148	14	5904	148	405	163176	5204	405	163176	5204
Peru ...	Sailing ...	3	1940	48	2	1945	39	5	3885	87	1	657	10	1	657	10	4	2597	58	2	1945	39	6	4542	97
Petropaulovski...	Sailing ...	3	2247	60	3	2247	60	2	1239	31	2	1239	31	5	3486	91	5	3486	91
	Steam ...	1	1060	47	1	1060	47	1	1060	47	1	1060	47
		4	3307	107	4	3307	107	2	1239	31	2	1239	31	6	4546	138	6	4546	138
Philippine Islands ...	Sailing	1	180	6	1	180	6	1	180	6	1	180	6
Queensland ...	Sailing ...	97	12346	562	3	306	15	100	12652	577	97	12346	562	3	306	15	100	12652	577	
	Steam ...	248	100366	6867	248	100366	6867	248	100366	6867	248	100366	6867	
		345	112712	7429	3	306	15	348	113018	7444	345	112712	7429	3	306	15	348	113018	7444	
Singapore ...	Sailing ...	6	2759	70	6	2759	70	3	1635	36	3	1635	36	9	4394	106	9	4394	106
	Steam ...	1	844	70	1	844	70	1	768	90	1	768	90	2	1612	160	2	1612	160
		7	3603	140	7	3603	140	4	2403	126	4	2403	126	11	6006	266	11	6006	266
South Australia ...	Sailing ...	170	62913	1769	4	665	26	174	63578	1795	9	3729	85	9	3729	85	179	66642	1854	4	665	26	183	67307	1880
	Steam ...	3	956	44	3	956	44	2	1908	180	2	1908	180	5	2864	224	5	2864	224
		173	63869	1813	4	665	26	177	64534	1839	11	5637	265	11	5637	265	184	69506	2078	4	665	26	188	70171	2104
South Sea Islands ...	Sailing ...	37	6862	394	1	32	8	38	6894	402	18	10313	228	1	693	11	19	11006	239	55	17175	622	2	725	19	57	17900	641
Tasmania ...	Sailing ...	75	14462	570	3	286	17	78	14748	587	75	14462	570	3	286	17	78	14748	587	
	Steam ...	63	28737	1735	63	28737	1735	63	28737	1735	63	28737	1735	
		138	43199	2305	3	286	17	141	43485	2322	138	43199	2305	3	286	17	141	43485	2322	
Torres Straits ...	Sailing	1	23	5	1	23	5	1	23	5	1	23	5	
Victoria ...	Sailing ...	362	104659	3067	2	323	13	364	104982	3080	1	312	8	1	141	6	2	453	14	363	104971	3075	3	464	19	366	105435	3094
	Steam ...	362	236890	12223	1	262	18	363	237152	12241	3	2472	270	1	3017	100	4	5489	370	365	239362	12493	2	3279	118	367	242641	12611
		724	341549	15290	3	585	31	727	342134	15321	4	2784	278	2	3158	106	6	5942	384	728	344333	15568	5	3743	137	733	348076	15705
Western Australia ...	Sailing	1	783	13	1	783	13	1	783	13	1	783	13	
Total ...	Sailing ...	1380	562632	15405	17	5080	147	1397	567712	15552	153	86934	1854	8	4756	90	161	91690	1944	1533	649566	17259	25	9836	237	1558	659402	17496
	Steam ...	809	500480	27652	1	262	18	810	500742	27670	18	28969	1608	1	3017	100	19	31986	1708	827	529449	29260	2	3279	118	829	532728	29378
General Total...	2189	1063112	43057	18	5342	165	2207	1068454	43222	171	115903	3462	9	7773	190	180	123676	3652	2360	1179015	46519	27	13115	355	2387	1192130	46874

STATISTICS—1878.

SHIPPING—continued.

VESSELS OUTWARDS.—Nationality.

No. 72.—RETURN showing the NUMBER, TONNAGE, and CREWS of VESSELS of EACH NATION Cleared at Ports in the Colony, in the Year 1878.

Nationality of Vessels.	Description of Vessels.	Cleared.								
		With Cargoes.			In Ballast.			Total.		
		Vessels.	Tons.	Crews.	Vessels.	Tons.	Crews.	Vessels.	Tons.	Crews.
British ..	Sailing	379	275003	6551	1	1199	23	380	276202	6574
		138	115523	7069	133	115523	7069
British Possessions ..	Sailing	517	390526	13620	1	1199	23	518	391725	13643
		1000	287220	8841	17	4022	130	1017	291242	8971
American ..	Sailing	671	384957	20583	1	262	18	672	385219	20601
		1671	672177	29424	18	4234	143	1689	676461	29572
German ..	Sailing	72	53081	918	5	3080	50	77	56161	968
		6	13103	593	1	3017	100	7	21125	698
French ..	Sailing	78	71189	1516	6	6097	150	84	77236	1666
		27	9912	238	27	9912	238
Hawaiian ..	Sailing	32	12454	373	1	705	18	33	13159	391
		1	381	20	1	381	20
Swedish ..	Sailing	33	12835	393	1	705	18	34	13540	411
		1	620	12	1	620	12
Dutch ..	Sailing	3	1551	39	3	1551	39
		3	1464	39	3	1464	39
Danish ..	Sailing	11	10430	990	11	10430	990
		14	11944	1029	14	11944	1029
Norwegian ..	Sailing	3	759	27	3	759	27
		8	6061	110	1	830	16	9	5891	126
Portuguese ..	Sailing	1	632	19	1	632	19
		1	836	13	1	836	13
Russian ..	Sailing	3	973	29	3	973	29
		1533	649566	17259	25	9836	297	1553	659402	17496
Italian ..	Sailing	827	529449	29260	2	3279	113	829	532728	29378
		2360	1179015	46519	27	13115	355	2387	1192130	46374
General Total ..		2360	1179015	46519	27	13115	355	2387	1192130	46374

VESSELS OUTWARDS.—Cleared at Ports.

No. 73.—RETURN showing the TOTAL NUMBER, TONNAGE, and CREWS of VESSELS Cleared at each Port in the Colony, in the Year 1878.

Names of Ports.	Description of Vessels.	British.									Foreign.									Total.								
		With Cargoes.			In Ballast.			Total.			With Cargoes.			In Ballast.			Total.			With Cargoes.			In Ballast.			Total.		
		Vessels.	Tons.	Crews.	Vessels.	Tons.	Crews.	Vessels.	Tons.	Crews.	Vessels.	Tons.	Crews.	Vessels.	Tons.	Crews.	Vessels.	Tons.	Crews.	Vessels.	Tons.	Crews.	Vessels.	Tons.	Crews.	Vessels.	Tons.	Crews.
Sydney ..	Sailing	238	139766	4032	15	3575	121	303	143341	4153	33	17617	398	8	4756	90	41	22373	488	321	157393	4430	23	8331	211	344	165714	4641
		503	314220	19919	1	262	18	504	314432	19937	17	28588	1583	1	3017	100	18	31605	1688	520	342808	21507	2	3279	118	522	346037	21625
Newcastle ..	Sailing	791	453986	23951	16	3837	139	807	457823	24090	50	46205	1986	9	7773	190	59	53978	2176	841	500191	25937	25	11610	329	866	511801	26266
		1021	409243	10873	2	1505	26	1023	410748	10899	120	69317	1456	1	381	20	120	69317	1456	1141	478560	12329	2	1505	26	1143	480065	12355
Grafton ..	Sailing	263	175439	7056	263	175439	7056	1	381	20	1	381	20	264	175820	7076	264	175820	7076
		1234	584632	17929	2	1505	26	1286	586137	17955	121	69698	1476	121	69698	1476	1405	654380	19405	2	1505	26	1407	655885	19431
Richmond River ..	Sailing	13	1751	83	13	1751	83	13	1751	83	13	1751	83
		4	634	28	4	634	28	4	634	28	4	634	28
Tweed River ..	Sailing	23	1405	115	23	1405	115	23	1405	115	23	1405	115
		17	8731	520	17	8731	520	17	8731	520	17	8731	520
Wollongong ..	Sailing	54	11233	339	54	11233	339	54	11233	339	54	11233	339
		3	685	42	3	685	42	3	685	42	3	685	42
Total ..	Sailing	57	11923	431	57	11923	431	57	11923	431	57	11923	431
		1830	562632	15405	17	5080	147	1397	567712	15552	153	86334	1854	8	4756	90	161	91690	1944	1533	649566	17259	25	9836	297	1553	659402	17496
General Total ..		309	500480	27652	1	262	18	310	500742	27670	18	28969	1608	1	3017	100	19	31936	1708	827	529449	29260	2	3279	118	829	532728	29378
General Total ..		2189	1063112	43057	18	5342	165	2207	1063154	43222	171	115903	3462	9	7773	190	180	123676	3652	2360	1179015	46519	27	13115	355	2387	1192130	46374

VESSELS OUTWARDS.

No. 74.—DECENNIAL RETURN of the NUMBER and TONNAGE of VESSELS Entered Outwards.

Year.	To Great Britain.	To British Colonies.														To South Sea Islands.		To Fisheries.		To United States of America.		To Foreign States.		Total.		
		Victoria.		South Australia.		Tasmania.		New Zealand.		Western Australia.		Queensland.		Other British Possessions.		No.	Tons.	No.	Tons.	No.	Tons.	No.	Tons.		No.	Tons.
1869	51	50673	776	262219	168	53016	104	27511	299	96302	323	87526	54	35207	45	7685	4	951	103	75144	309	136954	2236	833248
1870	44	45152	728	242553	123	43205	125	30708	232	97485	260	72979	52	33450	109	18665	8	2086	82	69338	253	111321	2066	771942
1871	53	56631	734	270625	199	60216	102	25891	281	94418	2	577	300	78527	50	31700	127	21654	10	2710	50	47533	215	97648	2123	794460
1872	43	45592	675	231907	166	61431	88	24066	302	102923	2	845	330	89798	203	120175	47	6276	9	2278	81	35228	142	43028	2091	813550
1873	42	44428	675	244851	188	70730	90	24397	310	105622	4	1469	326	90203	110	71300	40	8141	9	2525	76	72912	342	151066	2212	837074
1874	40	44588	631	270013	174	64338	71	21005	324	119838	1	316	305	98994	96	56930	39	6733	1	286	122	125171	304	160231	2163	974525
1875	46	56508	632	290017	221	81504	85	22395	357	126084	1	372	323	106461	86	49409	27	5505	102	116332	354	190919	2394	1059101
1876	45	54339	678	303376	219	81586	115	35003	375	142595	2	784	329	113195	197	113445	47	53288	1	286	112	115485	146	61868	2365	1053300
1877	50	63214	734	328238	185	62862	113	32326	357	149028	2	462	361	113677	141	106275	51	13671	2	350	80	107103	219	119089	2307	1101775
1878	47	70738	733	345076	188	70171	141	43455	405	163176	1	738	348	113018	174	124781	57	17900	103	127235	190	112767	2337	1192130

SHIPPING—*continued.*

VESSELS BUILT AND REGISTERED.

No. 75.—RETURN showing the Number of VESSELS BUILT and REGISTERED in the Colony, in the Year 1878.

Vessels Built.			Vessels Registered.			
Description.	Number.	Tons.	Description.	Number.	Tons.	Men.
Barques	1	598	Registered :—			
Schooners	8	653	Barques	8	3,012	96
Brigantines	1	98	Schooners	9	1,585	72
Ketches	12	425	Brigantines	3	413	20
Luggers	1	8	Ketches	6	151	15
Steamers	26	1,660	Cutters	6	168	19
			Steamers	15	3,732	150
			New Vessels :—			
			Barques	1	598	12
			Schooners	8	653	36
			Brigantines	1	98	6
			Ketches	12	425	40
			Luggers	1	8	3
			Steamers	26	1,660	128
Total	49	3,442	Total	96	12,503	597

VESSELS BUILT AND REGISTERED.

No. 76.—DECENNIAL RETURN showing the Number of VESSELS BUILT and REGISTERED in the Colony.

Year.	Vessels Built.		Vessels Registered.		Year.	Vessels Built.		Vessels Registered.	
	No.	Tons.	No.	Tons.		No.	Tons.	No.	Tons.
1869	32	1,611	89	15,581	1874	52	3,413	92	12,876
1870	24	1,423	64	9,843	1875	91	6,440	130	16,100
1871	20	1,798	60	9,463	1876	60	3,465	95	12,520
1872	25	1,999	66	10,121	1877	61	4,510	103	11,595
1873	43	2,181	94	12,908	1878	49	3,442	96	12,503

STOCKS IN BONDED WAREHOUSES.

No. 77.—RETURN of STOCKS in BONDED WAREHOUSES at the end of the Year 1878.

Articles.	Quantities.	Articles.	Quantities.
Bacon	2,048 lbs.	Oil—All other	38,472 gallons
Bags and Sacks	312 dozen	Opium	456 lbs.
Beer { In wood	30,190 gallons	Paints	22 tons 14 cwt. 0 qrs. 21 lbs.
Beer { In bottle	23,782 "	Paper { Writing and Fancy	6,916 lbs.
Biscuits	8,057 lbs.	Paper { Brown and Wrapping	950 "
Blue	2,380 "	Pepper and Spices	77,637 "
Candles	302,806 "	Pickles and Sauces	2,725 dozen
Cement	338 barrels	Powder { Blasting	548,011 lbs.
Cheese	9,360 lbs.	Powder { Sporting	60,130 "
Chicory	62,499 "	Preserves	9,998 "
Chocolate	12,572 "	Rice	1,816 tons 19 cwt. 0 qr. 4 lbs.
Cigars	75,361 "	Sago	11,877 lbs.
Cocoa	25,630 "	Salt { In bags	1,137 tons 10 cwt. 3 qr. 13 lbs.
Coffee	83 tons 17 cwt. 1 qr. 25 lbs.	Salt { Rock	115 10 3 20
Confectionery	13,776 lbs.	Saltpetre	1,120 lbs.
Cordage and Rope	4 tons 10 cwt. 0 qrs. 18 lbs.	Sarsaparilla	1,830 gallons
Cornflour	33,979 lbs.	Shot	10 cwt.
Dates	6,959 "	Starch	114,632 lbs.
Doors	71 No.	Sugar	697 tons 1 cwt. 3 qrs. 22 lbs.
Dynamite	28,700 lbs.	Brandy	264,096 gallons
Fish—Dried, &c.	425,457 "	Geneva	64,916 "
Fruits—Bottled	129 dozen	Gin	5,515 "
Fruits—Dried	431,386 lbs.	Spirits { Liqueurs	4,221 "
Ginger	21,651 "	Spirits { Rum	23,443 "
Hams	9,632 "	Spirits { Whiskey	57,493 "
Hops	68,882 "	Spirits { All other	3,711 "
Iron—Galvanized	213 tons 10 cwt. 1 qr. 6 lbs.	Soda Crystals	15 tons 16 cwt. 1 qr. 19 lbs.
Iron—Galvanized manufactures	1 16 0 0	Tea	1,720,127 lbs.
Iron Wire	142 0 0 0	Tobacco { Manufactured	523,927 "
Iron Wire—Galvanized	188 11 0 18	Tobacco { Leaf	1,939,926 "
Jams and Jellies	43,071 lbs.	Turpentine	8,096 gallons
Mustard	27,252 "	Varnish	35 "
Molasses	788 tons 16 cwt. 2 qrs. 11 lbs.	Vinegar	19,087 "
Nails	791 0 2 11	Wine	215,174 "
Nuts	35,235 lbs.	Woolpacks	161 bales
Oil—Kerosene	101,035 gallons		

STATISTICS—1878.

173

CUSTOMS REVENUE.

No. 78.—RETURN of REVENUE collected by the Department of Customs, from the 1st January to the 31st December, 1877 and 1878.

Particulars of Receipt.	Rate of Duty.	Year 1877.		Year 1878.	
		Quantity.	Amount collected.	Quantity.	Amount collected.
			£ s. d.		£ s. d.
Spirits	Ⓟ gallon, 10s.	1,012,806 galls.	506,403 0 4	1,089,191 galls.	544,595 11 4
Wine—Still	” 4s.	176,734 ”	35,346 15 11	184,360 ”	36,872 0 1
Wine—Sparkling	” 6s.	13,349 ”	4,004 16 11	13,363 ”	4,008 19 1
Ale and Beer in wood	” 6d.	656,367 ”	16,409 3 6	473,225 ”	11,830 12 7
Ale and Beer in bottle... ..	” 9d.	513,506 ”	19,256 10 1	587,546 ”	22,033 0 1
Tobacco—Manufactured	Ⓟ lb., 2s.	232,513 lbs.	23,251 7 7	261,142 lbs.	26,114 5 3
Tobacco in Leaf	” 1s.	1,149,651 ”	57,482 17 0	1,164,225 ”	58,211 5 5
Cigars	” 5s.	87,191 ”	21,797 18 1	98,408 ”	24,602 3 11
Tea	” 3d.	5,389,625 ”	67,370 6 5	5,060,720 ”	63,259 0 0
Coffee	” 3d.	452,404 ”	5,655 1 1	443,868 ”	5,548 7 2
Chicory	” 3d.	317,045 ”	3,963 1 3	304,546 ”	3,806 16 6
Sugar—Refined... ..	Ⓟ cwt., 6s. 8d.	6,164 cwt.	2,054 14 0	3,573 cwt.	1,191 1 4
Sugar—Raw	” 5s.	208,035 ”	52,008 16 5	265,178 ”	66,294 13 11
Molasses	” 3s. 4d.	452 ”	75 9 5	1,573 ”	262 3 10
Methylated Spirits	Ⓟ gallon, 2s.	8,041 galls.	804 2 5	11,504 galls.	1,150 8 2
Opium	Ⓟ lb., 10s.	18,345 lbs.	9,172 11 2	18,697 ”	9,348 11 6
Rice	Ⓟ ton, 60s.	3,246 tons	9,738 9 5	3,775 tons	11,325 3 11
Dried Fruits	Ⓟ lb., 2d.	5,208,314 lbs.	43,402 12 5	4,559,137 lbs.	37,992 16 2
Nuts	” 1d.	207,932 ”	866 7 8	267,545 ”	1,114 15 5
Malt	Ⓟ bushel, 6d.	232,719 bshls.	5,817 19 9	236,652 bshls.	5,916 6 4
Hops	Ⓟ lb., 3d.	484,246 lbs.	6,053 1 6	623,510 lbs.	7,793 17 8
Sarsaparilla	Ⓟ gallon, 4s.	6,792 galls.	1,358 8 5	5,350 galls.	1,070 0 6
Gold	Ⓟ oz., 1s. 6d.	1,164 ozs.	87 6 6	10,407 ozs.	780 10 11
Specific Duties	167,558 17 4	174,742 2 10
Bonded Warehouse License Fees	5,579 19 7	5,907 6 6
Rent of Goods in Queen's Warehouse	368 17 2	499 11 7
Pilotage	15,357 11 8	17,776 7 6
Harbour and Lights Rates	9,072 13 10	10,351 13 0
Removal Dues	2,845 2 4	3,023 15 8
Deck Cargo Dues	98 2 0
Shipping Fees—Engaging and Discharging Seamen.	4 7 3	5 19 9
Crown's Share of Seizures and Penalties	579 17 2	115 4 4
Surplus Proceeds, sale of Overtime Goods	51 15 0	225 1 2
Surcharges	4 14 2	9 6 9
Sundries...	0 7 3	12 10 10
Total	£ 1,093,903 2 0	1,157,791 11 0

PART IV.

MILLS AND MANUFACTURES.

CONTENTS.

Number of Return.		Page.
79	Mills for Grinding and Dressing Grain, in each Police District	176
80	" " (Decennial Return)	177
81	Manufactories, Works, &c., &c., in each Police District	178
82	" " Abstract Return distinguishing Manufactories, Works, &c., in the Metropolitan from the Country Districts, together with the number of hands employed	182
83	" " (Decennial Return)	184
84	Woollens manufactured during the Year	186
85	" " (Decennial Return)	186
86	Soap and Candles manufactured during the Year	186
87	" " (Decennial Return)	187
88	Tobacco manufactured during the Year	187
89	" " (Decennial Return)	187
90	Sugar Manufactories, and quantity produced from Cane grown in the Colony	187
91	" " " " " from 1870 to 1878	188
92	Refined Sugar manufactured in the Colony (Decennial Return)	188
93	Live Stock slaughtered for Tallow and Lard, and quantity produced during the Year	188
94	" " (Decennial Return)	189
95	Colonial Distilled Spirits—(Decennial Return)	189

MILLS.

No. 79.—RETURN showing the Number of MILLS for Grinding and Dressing Grain in each Police District of the Colony, in the Year 1878.

Police Districts.	Steam.		Water.		Wind.		Horse.		Total.		No. of pairs of stones in operation.	Number of hands employed.		
	No.	Horse-power.	No.	Horse-power.	No.	Horse-power.	No.	Horse-power.	No.	Horse-power.		Males.	Females.	Total.
Albury	8	138	1	15	9	153	19	30	...	30
Armidale	11	151	11	151	19	26	...	26
Balranald
Bathurst	8	34	8	34	20	25	...	25
Bega	*2	20	2	20	2
Berrima	2	40	2	40	2	4	...	4
Bombala	2	24	2	24	4	8	...	8
Boorowa	1	25	1	25	2	5	...	5
Bourke
Braidwood	4	16	1	12	5	28	10	25	...	25
Brewarrina
Brisbane Water
Broulee	1	10	1	10	2	2	...	2
Camden, Narellan, and Picton	3	49	3	49	8	8	...	8
Campbelltown	*1	13	*1	10	2	23	3
Carcoar	5	95	5	95	14	16	...	16
Cassilis	1	17	1	17	2	5	...	5
Cooma	2	22	2	8	4	30	6	6	...	6
Coonamble
Cowra	1	50	1	50	2	5	...	5
Deniliquin	1	20	1	20	2	10	...	10
Dowling	1	3	2	2	3	5	3	3	3
Dubbo	1	18	1	18	2	5	...	5
Dungog	4	55	1	12	5	67	14	21	7	28
Eden	1	18	1	18	2	3	...	3
Forbes	2	41	2	41	4	9	...	9
Glen Innes	2	22	2	22	4	6	...	6
Goulburn	7	104	7	104	16	26	...	26
Grafton
Grenfell	1	16	1	16	2	5	...	5
Gundagai	2	32	1	3	3	35	7	12	...	12
Gunnedah
Hartley
Inverell	3	47	3	47	7	13	...	13
Kiama	2	24	2	24	4	3	...	3
Liverpool
Macleay River
Maitland	4	78	4	78	11	14	...	14
Manning River	*1	14	1	14	2
Metropolitan	14	463	14	463	62	164	...	164
Mitchell
Moama
Molong	2	35	2	35	4	6	...	6
Mudgee	6	124	6	124	16	40	...	40
Murrurundi... ..	1	14	1	14	3	3	...	3
Muswellbrook and Merton	3	60	3	60	12	9	...	9
Narrabri
Newcastle	*1	14	1	14	2
Orange	4	70	4	70	10	17	...	17
Oxley...
Parramatta
Paterson	2	10	2	10	2	3	...	3
Patrick's Plains	4	46	4	46	10	12	...	12
Penrith	*1	30	1	30	1
Port Macquarie
Port Stephens	1	18	1	18	2	3	...	3
Queanbeyan	2	20	2	20	4	10	...	10
Raymond Terrace
Richmond River
Rylstone	1	10	1	10	1	4	...	4
Scone... ..	2	28	2	28	5	5	...	5
Shoalhaven
Tamworth	3	80	3	80	12	14	...	14
Tenterfield	2	43	1	8	3	51	7	12	...	12
Tumut	1	10	2	16	3	26	3	7	...	7
Tweed River
Vegetable Creek
Wagga Wagga	†3	20	3	20	6	6	...	6
Walgett
Warralda
Wellington	2	20	2	20	5	12	...	12
Wentworth
Windsor	†3	10	*1	14	4	24	8	2	...	2
Wollombi	2	22	2	22	2	7	...	7
Wollongong	2	50	2	50	8	4	...	4
Yass	3	48	3	48	6	9	...	9
Young	3	136	3	136	9	13	...	13
Total... ..	152	2,577	10	88	1	10	2	2	165	2,677	395	657	7	664

* Not working.

† Two not working.

‡ One not working.

MILLS.

No. 80.—DECENNIAL RETURN of the Number of MILLS for Grinding and Dressing Grain.

Year.	Steam.		Water.		Wind.		Horse.		Total.		Number of pairs of Stones in operation.	Number of Hands employed.		
	No.	Horse-power.	No.	Horse-power.	No.	Horse-power.	No.	Horse-power.	No.	Horse-power.		Males.	Females.	Total.
1869	151	14	10	8	183
1870	155	16	8	8	187
1871	160	14	7	9	190
1872	159	13	6	10	188
1873	154	15	6	7	182
1874	142	12	5	13	172
1875	147	2,289	11	95	2	20	1	2	161	2,406	355
1876	150	2,481	8	77	2	20	4	12	164	2,590	355
1877	151	2,529	8	80	1	10	3	4	163	2,623	382	623	623
1878	152	2,577	10	88	1	10	2	2	165	2,677	395	657	7	664

795-Z

STATISTICS—1878.

177

MANUFACTORIES, WORKS, &c.—*continued.*

No. 82.—RETURN distinguishing the number of MANUFACTORIES, WORKS, &c., in the Metropolitan from the Country Districts, in the Year 1878, together with the number of Hands of both Sexes employed.

Manufactories, Works, &c.— Description.	Metropolitan District.			Country Districts.			General Total.					
	No. of Manu- factories, &c.	No. of Hands employed.		No. of Manu- factories, &c.	No. of Hands employed.		No. of Manu- factories, &c.	Hands employed.				
		Males.	Females.		Total.	Males.		Females.	Total.	Males.	Females.	Total.
Connected with or dependent upon Agriculture, viz. :—												
Agricultural Implement Manu- factories	2	24	...	24	39	226	...	226	41	250	...	250
Tobacco Manufactories	5	378	62	440	13	40	...	40	18	418	62	480
Cigar Manufactories	2	7	...	7	2	3	...	3	4	10	...	10
Snuff Manufactories	1	1	...	1	1	1	...	1	2	2	...	2
Bakeries (Steam)	4	55	...	55	2	30	...	30	6	85	...	85
Bone Manure Manufactories	6	30	...	30	5	15	...	15	11	45	...	45
Sugar Manufactories	75	1,154	4	1,158	75	1,154	4	1,158
Maizena Manufactories	1	14	7	21	1	14	7	21
Jam Manufactories... ..	3	12	4	16	8	24	6	30	11	36	10	46
	23	507	66	573	146	1,507	17	1,524	169	2,014	83	2,097
Working on Raw Materials, the Production of the Pastoral Interest, viz. :—												
Soap and Candle Manufactories ...	13	83	...	83	19	70	...	70	32	153	...	153
Woollen Cloth Manufactories ...	2	16	3	19	7	129	50	179	9	145	53	198
Tanneries, &c.	16	270	...	270	89	438	...	438	105	708	...	708
Fellmongers, &c.	7	69	...	69	36	186	...	186	43	255	...	255
Salting and Meat-preserving Estab- lishments	15	61	...	61	4	255	...	255	19	316	...	316
Boiling-down Establishments ...	29	50	...	50	5	34	50	...	50
Wool-washing Establishments ...	11	109	...	109	61	490	...	490	72	599	...	599
Glue Manufactories	2	12	...	12	2	3	...	3	4	15	...	15
	95	670	3	673	223	1,571	50	1,621	318	2,241	53	2,294
Manufacture of Food of which the Raw Material is not the produce of Agriculture, and of Articles of Drink, viz. :—												
Distilleries	1	8	...	8	1	9	...	9	2	17	...	17
Sugar Refineries	2	153	...	153	2	153	...	153
Breweries	6	324	...	324	37	214	...	214	43	538	...	538
Confectionery Manufactories ...	23	322	76	398	26	53	3	56	49	375	79	454
Coffee, Chocolate, and Spice Works	5	31	...	31	5	31	...	31
Ginger-beer, Aerated Waters, Liqueurs, Cordial, Vinegar, Ink, and Blacking Manufactories ...	27	350	4	354	119	414	1	415	146	764	5	769
	64	1,188	80	1,268	183	690	4	694	247	1,878	84	1,962
Building Materials and Plastic Manufactures, viz. :—												
Brickyards	104	833	...	833	279	1,110	3	1,113	383	1,943	3	1,946
Drain-pipe Manufactories	5	74	...	74	7	38	...	38	12	112	...	112
Limekilns	13	43	...	43	110	247	...	247	123	290	...	290
Potteries, &c.	7	91	...	91	6	26	...	26	13	117	...	117
Tile Works	6	22	...	22	9	39	...	39	15	61	...	61
Saw-mills, &c. { Steam	29	494	...	494	182	1,530	...	1,530	211	2,024	...	2,024
{ Water	17	53	...	53	17	53	...	53
	164	1,557	...	1,557	610	3,043	3	3,046	774	4,600	3	4,603
Machine Manufactories, Brass, Lead, and Iron Works, viz. :—												
Iron and Tin Works	39	482	...	482	18	57	...	57	57	539	...	539
Iron, Brass, and Copper Foundries	44	591	...	591	15	97	...	97	59	688	...	688
Machinists, Engineers, &c....	32	643	...	643	16	159	...	159	48	802	...	802
Type Foundries	2	6	...	6	2	6	...	6
	117	1,722	...	1,722	49	313	...	313	166	2,035	...	2,035

STATISTICS—1878.

183

MANUFACTORIES, WORKS, &c.—continued.

No. 82 (continued).—RETURN of MANUFACTORIES, WORKS, &c., in the Metropolitan and Country Districts—continued.

Manufactories, Works, &c.— Description.	Metropolitan District.			Country Districts.			General Total.					
	No. of Manu- factories, &c.	No. of Hands employed.			No. of Manu- factories, &c.	No. of Hands employed.			No. of Manu- factories, &c.	Hands employed.		
		Males.	Females.	Total.		Males.	Females.	Total.		Males.	Females.	Total.
Miscellaneous Works and Manu- factories, viz. :—												
Account-book, &c., Manufactories	12	126	64	190	12	126	64	190
Bag and Sack Manufactory	1	3	...	3	1	3	...	3
Basket Manufactories	6	18	...	18	3	4	...	4	9	22	...	22
Bedding Manufactories	10	54	30	84	19	42	15	57	29	96	45	141
Bone Charcoal Manufactories	2	12	...	12	2	12	...	12
Boot Manufactories (employing not less than 6 hands).	42	1,212	265	1,477	29	372	34	406	71	1,584	299	1,883
Brush Manufactories	3	35	1	36	3	35	1	36
Cabinet Work (Steam)	2	64	...	64	4	25	...	25	6	89	...	89
Chemical Works	2	25	...	25	2	25	...	25
Clothing Manufactories	35	763	2,110	2,873	18	82	28	110	53	845	2,138	2,983
Coach and Waggon Manufactories	32	540	1	541	103	623	...	623	135	1,163	1	1,164
Comb Manufactories	1	2	1	3	1	2	1	3
Dairy Implement Manufactories	1	20	...	20	1	2	...	2	2	22	...	22
Dry Docks and Floating Docks	3	60	...	60	3	60	...	60
Dye Establishments	4	7	8	15	2	2	...	2	6	9	8	17
Firework Manufactories	1	3	...	3	1	3	...	3
Gas Works	3	234	...	234	8	41	...	41	11	275	...	275
Glass Stainers	5	32	...	32	5	32	...	32
Glass Manufactories	3	48	...	48	3	48	...	48
Glass Silvering Works	1	2	...	2	1	2	...	2
Hat Manufactories	12	45	24	69	12	45	24	69
Ice Manufactories	1	20	...	20	3	7	...	7	4	27	...	27
Indian Condiment Manufactories	3	14	15	29	3	14	15	29
Iron Bedstead Manufactories	1	57	...	57	1	57	...	57
Kerosene Oil Manufactories	1	53	...	53	1	28	...	28	2	81	...	81
Ladder and Barrow Manufactories	3	14	...	14	3	14	...	14
Mast and Block Manufactories	2	10	...	10	1	1	...	1	3	11	...	11
Marble Works	6	36	...	36	6	36	...	36
Mill Belt Manufactories	4	12	...	12	3	5	...	5	7	17	...	17
Organ-builders	2	7	...	7	2	7	...	7
Ornamental Plaster Manufactories	4	24	...	24	4	24	...	24
Packing-case Manufactories	3	31	...	31	3	31	...	31
Paper-box Manufactories	1	5	6	11	1	5	6	11
Paper Mills	2	47	26	73	2	47	26	73
Patent Slips	3	47	...	47	3	87	...	87	6	134	...	134
Perambulator Manufactories	3	10	...	10	3	10	...	10
Pianoforte Manufactories	1	2	...	2	1	2	...	2
Picture-frame Makers	10	19	2	21	2	4	...	4	12	23	2	25
Printing Establishments (Steam)	12	547	30	577	7	126	...	126	19	673	30	703
Ditto (Gas)	9	496	10	506	1	10	...	10	10	506	10	516
Portmanteau Manufactories	1	2	...	2	1	2	...	2
Railway Carriage Works	5	140	...	140	2	64	...	64	7	204	...	204
Rope Manufactories	5	82	...	82	5	82	...	82
Saddle and Harness Manufactories	23	249	1	250	184	656	...	656	207	905	1	906
Sail Makers	11	50	...	50	11	50	...	50
Salt Works	2	15	...	15	2	15	...	15
Scale Makers	3	4	...	4	3	4	...	4
Ship and Boat Builders	38	292	...	292	62	218	...	218	100	510	...	510
Shirt Manufactories	11	...	306	306	1	...	3	3	12	...	309	309
Smelting Works (Iron)	1	7	...	7	3	53	...	53	4	60	...	60
Ditto (Copper)	17	383	...	383	17	383	...	383
Ditto (Tin)	3	28	...	28	1	17	...	17	4	45	...	45
Soap-powder Manufactories	2	4	23	27	2	4	23	27
Steam Joinery	10	146	...	146	2	12	...	12	12	158	...	158
Steam-washing Establishments	1	2	3	5	1	2	...	2	2	4	3	7
Stone-crushing Works	1	3	...	3	1	8	...	8	2	11	...	11
Stone-dressing Works (Steam)	2	29	...	29	2	29	...	29
Surgical Instrument Manufactories	1	1	...	1	1	1	...	1
Turners in Wood and Ivory	12	36	...	36	6	12	...	12	18	48	...	48
Window Blind Manufactories	5	35	2	37	5	35	2	37
Wire-works	3	18	...	18	3	18	...	18
Workers in Hair Jewellery	2	3	1	4	1	3	3	1	4
	389	5,837	2,903	8,740	494	2,951	106	3,057	883	8,788	3,009	11,797
General Total	852	11,381	3,052	14,433	1,705	10,075	180	10,255	2,557	21,556	3,232	24,788

STATISTICS—1878.

185

MANUFACTORIES, WORKS, &c., &c.—continued.

No. 83 (continued).—DECENNIAL RETURN of MANUFACTORIES, WORKS, &c., &c.—continued.

MANUFACTORIES, WORKS, &c.—continued.	1869.	1870.	1871.	1872.	1873.	1874.	1875.	1876.	1877.	1878.
Miscellaneous Works and Manufactories, viz.:—										
Air-engine for Working Machinery			1	1	1					
Account Book, &c.	6	7	7	9	11	12	9	12	13	12
Bag and Sack	1			1						1
Bark-cutting Machines	49	45	54	61	74	67	57	61	65	62
Bark-pressing Machines	5	7	7	7	8	4	9	6	6	7
Basket Manufactories					1	3	6	7	12	9
Bone-charcoal Manufactories			1	3	1	1	1	2	2	2
Bedding Manufactories					2	3	14	19	20	29
Blue Manufactories		5						1		
Boot Manufactories	29	35	37	38	53	50	81	87	104	71
Brush Manufactories	3	1	1		1	1	2	2	2	3
Cabinet Works (Steam)		2	1	1	1	1	2	1	3	6
Chemical Works	1	2	2	2	1	1	1	1	4	2
Clothing Manufactories	9	9	11	15	19	17	32	39	42	53
Coach and Waggon Manufactories	83	91	89	85	103	99	123	144	140	135
Comb Manufactory					1	1	1	1	1	1
Crinoline	1	1					2	2		
Dairy Implement							1	1	1	2
Dry Docks and Floating Docks	3	3	3	4	3	3	3	3	3	3
Dye	12	10	9	9	8	8	7	5	5	6
Firework Manufactory		1	1	1	1	1	1	1	1	1
Fire-engines	24	25	24	22	24	22	33	33	38	35
Gas Works	6	6	6	9	9	10	11	10	11	11
Glass Silvering							1	1	1	1
Glass	2	1	1	2	2	3	4	4	3	3
Glass Stainers							2	9	10	5
Hat	8	7	9	12	13	12	13	12	13	12
Ice	3	3	3	4	4	4	7	6	4	4
Indian Condiment							2	2	2	3
Iron Bedstead									1	1
Kerosene Oil	7	5	2	2	2	2	2	2	2	2
Ladder and Barrow							1	3	3	3
Mast and Block Manufactories		3	3	3	2	2	2	4	3	3
Metallic Paint Manufactory				1	1	1	1			
Marble Works					2	2	3	4	5	6
Mill-belt							2		5	7
Organ-builders	1	1	1	1	1	1	2	2	2	2
Ornamental Plaster							1	1	2	4
Packing-case Manufactories	2	3	4	4	4	3	2	6	5	3
Paper-box Manufactory				1	1	1	1	1	1	1
Perambulator							1	1	3	3
Paper Mills	1	1	2	2	1	1	2	2	2	2
Picture Frame							5	6	9	12
Patent Slips	5	5	5	5	6	6	5	6	6	6
Pianoforte Manufactories								1	1	1
Portmanteau							1	1	1	1
Printing Establishment (Steam)	7	9	9	9	12	14	18	17	18	19
Do. (Gas)							2	4	10	10
Quartz-crushing Machines	66	*	*	*	*	*	*	*	*	*
Rice Mills					1	1	1	1		
Rope	7	4	4	4	6	6	6	6	6	5
Railway Carriage Works	5	4	3	3	3	3	3	6	10	7
Saddle and Harness Manufactories					1	2	123	148	171	207
Sail-makers							3	4	10	11
Salt Works	2	4	2	3	1	1	2	2	2	2
Scale-makers							2	3	3	3
Ship and Boat Builders	73	73	86	90	103	103	104	99	106	100
Shirt Manufactories		4	4	5	6	6	11	14	13	12
Smelting Works—Iron, Copper, and Tin	9	10	10	12	22	25	30	31	22	25
Soap-powder Manufactories		1	1	1	1	1	2	1	3	2
Steam Joinery		1	1	3	2	4	9	9	11	12
Steam-vessels	103	93	98	105	119	131	162	175	175	204
Steam-washing Machines	6	4	3	3	2		4	3	2	2
Stone-crushing Machines	3	3	6	14	4	4	5	9	1	2
Stone-dressing Works (Steam)			1	3	3	2	2	4	3	2
Surgical Instrument Manufactory					1	1	1	1	1	1
Turners in Wood and Ivory							5	5	13	18
Water Works	7	4	4	5	9	6	8	7	6	7
Window Blind					3	1	2	3	4	5
Wire Works				1	1	1	2	2	3	3
Workers in Hair Jewellery							1	2	5	3
General Total	4,497	6,862	6,827	7,769	8,268	9,241	9,727	10,623	11,911	13,892

* See return of Gold-mining Machinery.

† Railways.

WOOLLENS MANUFACTURED.

No. 84.—RETURN showing the Quantity of WOOLLENS Manufactured in the Colony during the Year 1878.

Police Districts.	No. of Establishments.	No. of Hands employed.			Cloth and Tweeds.
		Males.	Females.	Total.	
Hartley	1	27	14	41	Yards. 93,500
Parramatta	4	98	20	118	196,337
Metropolitan	*2	16	3	19	25,200
Penrith	2	4	16	20	15,000
Total	*9	145	53	198	339,037

* The owner of one Manufactory declines to give any information.

No. 85.—DECENNIAL RETURN of WOOLLENS Manufactured in the Colony.

Year.	No. of Establishments.	Cloth and Tweeds.	Year.	No. of Establishments.	Cloth and Tweed.
		Yards.			Yards.
1869	7	233,904	1874	8	458,880
1870	6	187,470	1875	8	354,700
1871	7	267,196	1876	8	395,704
1872	6	201,260	1877	8	* 271,452
1873	7	321,070	1878	9	* 339,037

* No return from one Manufactory in Metropolitan District.

SOAP AND CANDLES MANUFACTURED.

No. 86.—RETURN showing the Quantity of SOAP and CANDLES Manufactured in the Colony during the Year 1878.

Police Districts.	No. of Establishments.	No. of Hands employed.	Soap.	Candles.
			Quantity.	Quantity.
Bathurst	1	4	cwt. 1,600	800
Bourke	1	2	15
Dubbo	1	2	120	10
Forbes	1	2	640	4
Goulburn	1	3	2,120	3,200
Grafton	1	2	3,600	65
Inverell	1	4	800	9
Maitland	1	10	3,000	200
Metropolitan	13	83	51,320	39,348
Mudgee	1	4	2,100	320
Newcastle	1	8	1,152	40
Orange	2	4	3,100	90
Parramatta	1	2	16 $\frac{1}{2}$
Tamworth	2	7	5,820	180
Tenterfield	1	1	160
Warialda	1	4	300
Wagga Wagga	*1	7	8
Young	1	4	1,800
Total	32	153	77,655	35,282 $\frac{3}{4}$

* At work for a short time only.

STATISTICS—1878.

187

SOAP AND CANDLES MANUFACTURED—*continued.*

No. 87.—DECENNIAL RETURN of SOAP and CANDLES Manufactured in the Colony.

Year.	Number of Establishments.	Soap.		Candles.		Year.	Number of Establishments.	Soap.		Candles.	
		Quantity.	Quantity.	Quantity.	Quantity.			Quantity.	Quantity.		
		cwt.	cwt.					cwt.	cwt.		
1869	27	73,943	15,636	1874	31	82,270	11,724				
1870	28	64,912	11,129	1875	32	83,243	11,828				
1871	31	80,652	13,568	1876	32	80,895	13,811				
1872	35	80,732	13,824	1877	33	92,958	36,909				
1873	30	95,300	17,440	1878	32	77,655	35,282½				

TOBACCO MANUFACTURED.

No. 88.—RETURN showing the Quantity of TOBACCO Manufactured in the Colony during the Year 1878.

Police Districts.	Number of Establishments.	Number of Hands employed.			Quantity.
		Males.	Females.	Total.	
					cwt.
Dungog	2	6	6	300
Grafton	1	2	2	10
Maitland	4	20	20	484
Manning River	2*
Metropolitan	5	378	62	440	16,381
Paterson	3	6	6	150½
Wollongong	1*
Total	18	412	62	474	17,325½

* Not working.

No. 89.—DECENNIAL RETURN of TOBACCO Manufactured in the Colony.

Year.	Number of Establishments.	Quantity.	Year.	Number of Establishments.	Quantity.
		cwt.			cwt.
1869	36	8,927	1874	23	14,980½
1870	38	8,165	1875	26	14,002½
1871	33	6,366½	1876	21	13,740½
1872	34	8,580	1877	20	19,180½
1873	27	11,540½	1878	18	17,325½

SUGAR MANUFACTORIES.

No. 90.—RETURN showing the Number of SUGAR MANUFACTORIES in the Colony in the Year 1878, distinguishing those worked by Steam from those worked by Cattle, together with the Produce of SUGAR and MOLASSES.

Where situated.	Number of Hands employed.			Number of Mills worked by				Quantity of Sugar manufactured.	Quantity of Molasses manufactured.
	Males.	Females.	Total.	Steam.		Cattle.			
				No.	Horse-power.	No.	Horse-power.	cwt.	gallons.
Grafton	899	899	25	480	3	15	150,060	435,765
Macleay River	10	3	13	2	18	12	37	595	2,270
Manning River	36	36	8	18	425	3,800
Port Macquarie	1	12	4	16
Raymond Terrace	1	6	1	4
Richmond River	167	1	168	10	95	6	25	9,955	80,590
Tweed River	42	42	1	16	1	4	2,168	10,400
General Total	1,154	4	1,158	40	627	35	119	163,203	532,825

* Not working.

b Seven not working.

c Two not working.

d One mill of 2 horse-power not at work.

SUGAR MANUFACTORIES—*continued.*

No. 91.—RETURN showing the Number of SUGAR MANUFACTORIES; also, the Weight of CANE crushed and the Quantity of SUGAR and MOLASSES produced from the same, during the Years 1870 to 1878.

Year.	Number of Mills.				Weight of Cane crushed.	Quantity of Sugar manufactured.	Quantity of Molasses manufactured.
	Steam.		Cattle.				
	No.	Horse-power.	No.	Horse-power.	cwt.	cwt.	gallons
1870	27				13,574
1871	57				35,836	113,151
1872	24	385	47	91	712,569	34,207	143,795
1873	^a 30	330	^b 44	109	^m 264,691	^m 14,400½	^m 42,235
1874	^c 23	316	^d 44	134	ⁿ 4,637,939	137,104	423,564
1875	^e 25	349	^f 57	150	703,529	96,910	118,170 and 2,000 tons.
1876	^g 26	302	^h 44	136	^o 1,156,840	^o 93,960	55,560 „ 1,362 „
1877	29	503	^j 34	108	ⁿ 1,999,560	150,744	78,823 „ 1,667 „
1878	^k 40	627	^l 35	119	163,203	532,825 gallons.

^a Eight not worked. ^b Seven not worked. ^c Four not worked. ^d Six not worked. ^e Six not worked. ^f Eight not worked.
^g Seven not worked. ^h Thirteen not worked. ⁱ Five not worked. ^j Eight not worked. ^k Four not worked. ^l Twelve not worked.
^m Exclusive of the operations of two steam mills belonging to the Colonial Sugar Company. ⁿ The weight of Cane grown—the quantity crushed at the mills could not be ascertained. ^o Exclusive of the operations of one mill of twenty horse-power.

REFINED SUGAR.

No. 92.—DECENNIAL RETURN of REFINED SUGAR manufactured in the Colony.

Year.	No. of Establishments.	Quantity.	Year.	No. of Establishments.	Quantity.
		cwt.			cwt.
1869	2	134,480	1874	6	315,995
1870	2	153,492	1875	2	225,178
1871	2	155,394	1876	2	284,544
1872	3	134,380	1877	2	259,650
1873	3	180,369	1878	2	324,480

TALLOW AND LARD.

No. 93.—RETURN showing the Number of LIVE STOCK slaughtered for TALLOW and LARD, and the Quantity produced during the Year 1878.

Police Districts.	Boiling-down Establishments.	Sheep slaughtered.	Horned Cattle slaughtered.	Tallow produced.	Pigs slaughtered.	Lard produced.
	No.	No.	No.	cwt. qrs. lbs.	No.	lbs.
Maitland	*1
Metropolitan	29	†51,570 2 0	†5,005
Moama	*1
Parramatta	*1
Windsor	*2
Total	34	†51,570 2 0	†5,005

* Not working. † Produced from the refuse of butchers' shops.

STATISTICS—1878.

189

TALLOW AND LARD—*continued.*

No. 94.—DECENNIAL RETURN of LIVE STOCK slaughtered for TALLOW and LARD, and the Quantity produced.

Year.	Number of Boiling-down Establishments.	Sheep slaughtered.	Horned Cattle slaughtered.	Tallow produced.	Pigs slaughtered.	Lard produced.
		No.	No	cwt.	No.	lbs.
1869	48	230,550	246	67,175	1,446	6,065
1870	53	290,696	74	87,708	1,042	4,104
1871	44	306,799	133	73,737	1,268	4,636
1872	44	71,321	1,978	45,986	149	3,012
1873	39	83,302	10,357	66,600	593	4,144
1874	33	24,995	7,744	73,817	265	4,739
1875	35	29,660	49,900	1,311
1876	29	25,876	4,611	43,810	175	6,989
1877	36	24,000	7,793	61,294	213	11,260
1878	34	51,570½	5,005

NOTE.—A large quantity of the Tallow produced is from the refuse of butchers' shops in the Metropolitan District.

COLONIAL DISTILLED SPIRITS.

No. 95.—DECENNIAL RETURN of COLONIAL DISTILLED SPIRITS.

Year.	Materials.	Spirits (Rum).
		Proof gallons.
		ewt. qrs. lbs.
1869...	{ Sugar 302 0 13 } Treacle and Molasses 3,424 2 6 }	20,176
1870...	{ Sugar 814 1 17 } Treacle 8,381 3 17 }	48,055
1871...	{ Sugar 158 1 14 } Treacle 5,718 1 0 }	29,687
1872...	{ Sugar 288 2 7 } Treacle and Molasses 7,395 3 7 }	36,059
1873...	Molasses 10,543 1 18	54,629
1874...	Molasses 23,080 3 27	85,346
1875...	Molasses 30,072 2 14	151,913
1876...	Molasses 43,082 1 0	218,308
1877...	Molasses 26,531 0 0	150,737
1878...	Molasses 20,576 0 0	124,156

PART V.

PRODUCTION.

CONTENTS.

Number of Return.		Page.
96	Gold received at Mint by Escort	192
97	" " (Decennial Return)	192
98	" raised and Value from 1851 to 1878	193
99	Mines—Coal, Copper, Iron, Tin, &c.—Quantity raised and Value	194
100	" Quantity raised and Value—(Decennial Return)	195
101	Live Stock—In each Police District	195
102	" —(Decennial Return)	196
103	Agriculture—In each Police District	197
104	" —(Decennial Return)	199
105	" Holdings of Various sizes with Acreage under Crop and Area enclosed	200

GOLD BY ESCORT TO MINT.

No. 96.—RETURN of the Quantity of Gold sent by Escort in 1878 from the several Gold Districts of the Colony, and of the weight and value of Gold—the produce of New South Wales—received for coinage at the Sydney Branch of the Royal Mint during the same period.

District.	Name of Gold Field.	Gold sent by Escort.		Gold received for Coinage.		
		Quantity.	Value.	Weight.	Gross Value.	Per Ounce.
		ozs.	£ s. d.	ozs.	£ s. d.	£ s. d.
Western	Bathurst	2,790'77	10,632 16 8	1,563'52	5,950 4 1	3 16 2
	Carcoar	4,666'35	14,530 7 10	4,666'35	14,530 7 10	3 2 2
	Orange	3,474'13	10,457 0 3	3,510'76	10,575 12 1	3 0 2
	Hill End	11,192'10	43,984 19 1	11,583'89	45,528 14 0	3 18 7
	Sofala	4,680'81	14,504 13 11	2,615'41	10,099 4 9	3 16 5
	Stony Creek	2,021'87	7,763 19 7	1,772'63	6,800 19 8	3 16 8
	Mudgce	5,822'28	22,182 17 9	5,464'80	20,852 10 11	3 16 2
	Gulgong	6,076'82	23,881 18 1	4,560'87	17,933 12 7	3 18 7
	Hargraves	1,493'25	5,838 12 2	1,409'29	5,509 14 3	3 18 2
	Wellington	3,008'02	9,505 6 10	2,421'91	7,650 7 11	3 3 2
	Parkes	5,025'67	19,097 10 11	5,077'47	19,449 6 6	3 16 0
	Forbes	118'71	340 8 3	211'47	785 11 0	3 14 2
	(Mixed)	1,868'74	7,072 18 3	3 15 7
			50,370'78	182,720 11 4	46,727'11	172,739 3 10
Southern	Braidwood	5,682'69	21,835 3 8	7,864'32	30,375 15 7	3 17 2
	Araluen	2,244'38	8,685 15 0	4,364'48	16,881 2 11	3 17 5
	Adelong	10,146'64	39,368 19 3	4,868'77	18,882 0 11	3 17 7
	Tumut	1,062'07	3,919 0 9
	Yass	15'47	58 3 4	15'47	58 3 4	3 15 2
	Wagga Wagga	116'35	421 3 9	1,067'88	3,927 15 5	3 12 5
	Gundagai	170'72	631 13 3	21'14	78 2 8	3 14 0
	Cooma	344'50	1,329 15 5	398'83	1,539 10 10	3 17 2
(Mixed)	6,965'37	25,986 6 8	3 14 7	
		19,782'82	76,249 14 5	25,566'26	97,728 18 4	3 16 5
Northern	Armidale	815'76	3,108 0 11	767'81	2,922 8 10	3 16 2
	Rocky River	835'32	3,341 5 7	77'70	308 13 1	4 0 0
	Tamworth	3,688	13,746 4 10	2,693'47	10,045 6 5	3 14 7
	(Mixed)	16,130'77	40,871 1 8	2 10 8
		5,339'08	20,195 11 4	19,669'75	54,147 10 0	2 15 1
	Total sent by Escort ...	75,492'68	279,165 17 1
	Locality unknown	15,384'85	58,125 10 5	3 15 7
	Total N.S.W. Gold received for Coinage	107,347'97	382,741 2 7	3 11 3

No. 97.—DECENNIAL RETURN showing the Quantity and Value of GOLD received by ESCORT into the Branch Royal Mint, from the several Gold Districts of the Colony.

Year.	Western District.		Southern District.		Northern District.		General Total.	
	Quantity.	Value.	Quantity.	Value.	Quantity.	Value.	Quantity.	Value.
	ozs.	£	ozs.	£	ozs.	£	ozs.	£
1869	130,954	506,722	80,589	310,989	12,839	49,035	224,382	866,746
1870	128,634	496,337	55,758	212,612	14,272	54,706	198,664	763,655
1871	209,394	811,026	73,262	278,045	14,272	52,710	296,928	1,143,781
1872	307,267	1,194,324	74,808	280,679	10,111	38,183	392,186	1,513,186
1873	268,418	1,036,994	50,693	192,989	9,086	34,765	328,197	1,204,748
1874	192,067	737,718	42,881	164,276	8,570	32,404	243,518	934,398
1875	153,212	583,892	42,405	160,776	6,162	23,161	201,779'	767,829
1876	94,879	357,496	27,418	104,743	4,492	16,894	126,789	479,133
1877	71,335	265,136	23,007	89,064	3,240	12,129	97,582	366,329
1878	50,371	182,721	19,783	76,250	5,339	20,195	75,493	279,166

GOLD RAISED AND VALUE.

No. 98.—RETURN showing the Quantity and Value of Gold, the Produce of New South Wales, from the year 1851 to 1878 inclusive.

Years.	Received at the Mint for coinage.		Exported without passing through the Mint.		Estimated Produce of the Colony.	
	Weight.	Value.	Weight.	Value.	Weight.	Value.
	ozs.	£	ozs.	£	ozs.	£
1851	144,120'88	468,336	144,120'88	468,336
1852	818,751'93	2,660,946	818,751'93	2,660,946
1853	548,052'99	1,781,172	548,052'99	1,781,172
1854	237,910'70	773,209	237,910'70	773,209
1855	106,983'00	408,656	63,162'73	204,492	170,145'73	613,148
1856	142,137'36	530,598	41,809'00	135,457	183,946'36	666,055
1857	126,950'79	487,440	34,092'47	129,272	161,043'26	616,712
1858	272,825'65	1,050,340	7,732'28	32,524	280,557'93	1,082,864
1859	308,183'41	1,178,114	15,800'61	59,548	323,984'02	1,237,662
1860	352,222'78	1,341,431	29,391'18	103,727	381,613'96	1,445,158
1861	414,861'84	1,608,277	45,017'43	163,778	459,879'27	1,772,055
1862	587,895'24	2,262,472	29,014'47	97,911	616,909'71	2,360,383
1863	401,713'25	1,545,419	65,685'80	246,115	467,399'05	1,791,534
1864	308,670'64	1,181,898	33,283'48	122,837	341,954'12	1,304,735
1865	300,277'57	1,153,215	64,263'06	237,588	364,540'63	1,390,803
1866	269,239'71	1,035,513	18,294'58	67,733	287,534'29	1,103,246
1867	259,556'92	1,005,570	9,850'43	37,887	269,407'35	1,043,457
1868	232,488'66	904,422	26,284'75	98,580	258,773'41	1,003,002
1869	179,549'24	694,022	72,580'90	273,603	252,130'14	967,625
1870	143,709'44	552,744	96,692'42	363,665	240,401'86	916,409
1871	242,596'91	935,041	78,871'79	296,970	321,468'70	1,232,011
1872	331,273'19	1,278,127	92,827'04	356,694	424,100'23	1,634,821
1873	259,579'77	997,215	101,270'20	365,490	360,849'97	1,362,705
1874	233,216'59	895,148	37,493'53	143,696	270,710'12	1,038,844
1875	226,985'50	872,162	2,400'06	9,318	229,385'56	881,480
1876	153,531'48	575,565	1,634'89	6,124	155,166'37	581,689
1877	121,593'38	459,201	1,035'86	3,929	122,629'24	463,130
1878	107,347'97	382,741	10,629'91	40,443	117,977'88	423,184
Grand Total ...	6,083,390'29	23,335,331	2,727,955'37	9,281,044	8,811,345'66	32,616,375

MINES.

No. 99.—RETURN showing the Quantity and Value of COAL, IRON, TIN, COPPER, &c., raised at the MINES, during the Year 1878, and the number of MINERS employed.

Where situated.	Number of Mines	Name of Mineral Substance.	Miners employed.			Quantity raised.	Value.			Remarks.
			Above ground.	Under ground.	Total.		Tons.	£	s.	
Newcastle	1	Australian Agricultural Company.	105	696	801	233,851	147,888	18	6	
		Waratah ...	} 52	196	248	72,064	44,702	0	0	
		South Waratah ...		490	598	114,908	74,750	0	0	
		Newcastle Wallsend Co-operative ...		384	450	176,708	98,796	0	0	
		Lambton ...	} 153,411	400	436	213,332	119,881	4	9	
		New Lambton ...		256	296	90,811	58,267	0	0	
		Duckenfield ...		186	246	153,411	100,679	5	0	
		Brown's ...	} 73,081	191	264	73,081	43,850	0	0	
		Newcastle ...		239	264	73,081	43,850	0	0	
		Little Redhead ...		9	13	768	470	0	0	Not at work. Sinking main shaft.
		Redhead ...	} 152	3	3	768	470	0	0	
		Goose Colliery ...		133	152	44,253	19,839	1	0	
		Ferndale ...		10	15	7,812	5,077	16	0	
		Australasia ...	} 4	9	13	768	470	0	0	
		Alnwick ...		3	3	768	470	0	0	
Nott, Ward, & Co.	10	15		7,812	5,077	16	0	Engaged in driving, &c. Not at work.		
Sunderland ...	} 3	4	4	1,850	300	0	0			
Bloomfield ...		2	3	1,765	436	10	0			
Jesmond ...		2	3	1,765	436	10	0	Not at work. Not at work. Not at work.		
Anvil Creek ...	} 94	155	249	46,382	28,988	0	0			
Ingancee ...		1	3	174	69	12	0			
Greta Coal & Shale		2	3	174	69	12	0			
Stony Creek ...	} 19	16	19	9,866	4,439	14	0			
Rathluba ...		3	19	9,866	4,439	14	0			
Rix's Creek ...		3	19	9,866	4,439	14	0	Not at work.		
Catherine Hill Bay	} 5	5	5	Not raising Coal.		
New Wallsend ...		5	5	Not at work.		
Mount Wingin ...		5	5	Not at work.		
Murrurundi	} 90	241	331	124,737	87,315	18	0			
Bulli ...		241	331	124,737	87,315	18	0			
North Bulli ...		241	331	124,737	87,315	18	0	Not at work.		
Illawarra	} 35	101	136	57,623	25,630	17	6			
Mount Pleasant ...		80	122	40,967	19,114	8	0			
Osborne, Wallsend		80	122	40,967	19,114	8	0			
Coal Cliff ...	} 73	73	73	15,226	9,500	0	0			
.....		73	73	15,226	9,500	0	0			
.....		73	73	15,226	9,500	0	0			
Berrima...	} 4	20	24	14,886	4,006	14	7	Not at work.		
Brereton's ...		20	24	14,886	4,006	14	7			
Lithgow Valley ...		20	24	14,886	4,006	14	7			
Hartley ...	} 4	26	30	25,097	7,256	0	0			
Esk Bank ...		26	30	25,097	7,256	0	0			
Bowenfels ...		26	30	25,097	7,256	0	0			
Wallerawang	} 7	9	11	8,448	2,534	8	0			
Vale of Clwydd ...		9	11	8,448	2,534	8	0			
Coerwell ...		9	11	8,448	2,534	8	0			
Wallerawang	} 2	2	4	650	200	0	0			
.....		2	4	650	200	0	0			
.....		2	4	650	200	0	0			
.....	} 2	4	6	200	100	0	0			
.....		4	6	200	100	0	0			
.....		4	6	200	100	0	0			
.....	} 40	4,810	1,575,497	915,228	7	4			
.....		4,810	1,575,497	915,228	7	4			
.....		4,810	1,575,497	915,228	7	4			
Hartley Vale	} 1	Shale	30	86	116	18,551	46,377	0	0	
New South Wales Shale and Oil Company.		Shale	30	86	116	18,551	46,377	0	0	
Australian Kerosene Oil and Mineral Company.		Shale	30	86	116	18,551	46,377	0	0	
Joadja Creek	} 1	"	6	50	56	5,200	10,400	0	0	
Wollongong, Mount Kembla ...		"	6	50	56	5,200	10,400	0	0	
.....		"	6	50	56	5,200	10,400	0	0	
.....	} 3	Shale	51	151	202	24,371	57,211	0	0	
.....		Shale	51	151	202	24,371	57,211	0	0	
.....		Shale	51	151	202	24,371	57,211	0	0	
Bathurst ...	} 80	Copper (ore)	80	80	1,570	4,700	0	0	Value of machinery £2,000
Tuena*		"	80	80	1,570	4,700	0	0	
Rockley ...		"	80	80	1,570	4,700	0	0	
Orange ...	} 20	"	20	20	361	3,308	16	10	Do £3,000
Bingera ...		"	20	20	361	3,308	16	10	
Bourke ...		"	20	20	361	3,308	16	10	Do £60,000
.....	} 4	"	4	4	20	200	0	0	
.....		"	4	4	20	200	0	0	
.....		"	4	4	20	200	0	0	
.....	} 400	(metal)	400	400	1,468	153,952	0	0	
.....		(metal)	400	400	1,468	153,952	0	0	
.....		(metal)	400	400	1,468	153,952	0	0	
.....	} 534	Copper, &c.	534	534	3,939	166,201	16	10	
.....		Copper, &c.	534	534	3,939	166,201	16	10	
.....		Copper, &c.	534	534	3,939	166,201	16	10	
Tenterfield ...	} 522	Tin (ore)	522	522	1,107	37,638	0	0	Do £1,800
Vegetable Creek ...		"	522	522	1,107	37,638	0	0	
Tingha ...		"	522	522	1,107	37,638	0	0	Do £9,550
.....	} 694	"	694	694	1,935 ³ / ₄	9,684	0	0	
.....		"	694	694	1,935 ³ / ₄	9,684	0	0	
.....		"	694	694	1,935 ³ / ₄	9,684	0	0	
.....	} 500	"	500	500	1,500	45,000	0	0	
.....		"	500	500	1,500	45,000	0	0	
.....		"	500	500	1,500	45,000	0	0	
.....	} 1,716	Tin (ore)	1,716	1,716	4,542 ³ / ₄	92,322	0	0	
.....		Tin (ore)	1,716	1,716	4,542 ³ / ₄	92,322	0	0	
.....		Tin (ore)	1,716	1,716	4,542 ³ / ₄	92,322	0	0	
Berrima*	} 50	Iron (ore)	50	50	430	1,505	0	0	Do £60,000
Hartley ...		"	50	50	430	1,505	0	0	
.....		"	50	50	430	1,505	0	0	

* Not at work.

STATISTICS—1878.

195

No. 100.—DECENNIAL RETURN of the Number of COAL MINES, and the Quantity raised, and its value.

Year.	Number.	Quantity.	Value.	Year.	Number.	Quantity.	Value.
		tons	£ s. d.			tons	£ s. d.
1869	33 ^a	919,773 ³ / ₄	346,145 16 5	1874	30	1,304,567	790,224 19 2
1870	32 ^b	868,564 ¹ / ₄	316,835 16 4	1875	26	1,253,475	765,133 11 2
1871	27 ^c	898,784 ¹ / ₂	316,340 2 1	1876	36 ^e	1,319,918	803,300 5 6
1872	26 ^c	1,012,426 ¹ / ₂	396,197 19 10	1877	40 ^f	1,444,271	858,998 8 2
1873	29 ^d	1,192,861 ³ / ₄	665,746 17 3	1878	40 ^g	1,575,497	915,228 7 4

^a Seven Mines not worked.
^b Six do.
^c Four do.
^d Five do.

^e Eleven Mines not worked.
^f Ten not at work, two preliminary work in progress, and one boring.
^g Ten not at work, one sinking main shaft, and one engaged in driving, &c.

LIVE STOCK.

No. 101.—RETURN of LIVE STOCK in each POLICE DISTRICT of the COLONY, for the Year ending 31st March, 1879.

Name of Police District.	Number of Stockholders.	Description of Stock.				Totals.
		Horses.	Horned Cattle.	Sheep.	Pigs.	
		Number.	Number.	Number.	Number.	
Albury	1,238	11,374	64,743	957,714	4,994	1,038,825
Armidale	841	10,909	117,154	850,268	3,307	981,638
Balranald	55	1,773	18,258	765,902	210	786,143
Bathurst	1,143	10,242	30,760	287,111	4,694	332,807
Bega	441	3,179	44,371	665	11,397	59,612
Berrima	679	3,511	35,356	17,826	4,092	60,785
Bombala	221	3,848	30,371	271,594	1,493	307,306
Boorowa	320	3,108	8,944	323,886	1,495	337,433
Bourke	65	3,358	62,243	612,873	264	678,738
Braidwood	459	4,486	41,089	18,549	1,789	65,913
Breewarrina	91	3,394	71,970	554,279	353	629,996
Brisbane Water	262	954	5,987	100	1,592	8,633
Broulee	253	2,073	17,589	175	5,460	25,297
Camden, Narellan, and Picton	660	5,138	41,703	7,850	5,135	59,826
Campbelltown	187	1,158	6,123	1,982	498	9,761
Carcoar	465	5,344	15,325	298,752	2,623	322,044
Cassilis	265	2,963	8,436	230,733	737	242,869
Cooma	513	8,538	63,221	571,150	1,359	644,268
Coonamble	224	2,761	28,459	487,477	685	519,382
Cowra	269	6,297	10,438	198,215	597	215,547
Deniliquin	476	4,935	24,159	1,537,293	1,013	1,567,400
Dowling	193	723	10,251	1,334	3,641	15,949
Dubbo	639	9,264	130,003	1,135,222	1,646	1,276,135
Dungog	309	2,119	19,060	1,566	5,700	28,445
Eden	215	1,559	14,905	2,460	2,831	21,755
Forbes	548	7,020	66,097	1,424,814	1,026	1,498,957
Glen Innes	238	4,122	70,624	140,242	980	215,968
Goulburn	1,242	11,482	91,894	208,076	6,830	318,282
Grafton	1,099	8,538	84,600	1,229	6,063	100,430
Grenfell	214	1,809	7,821	308,893	602	319,125
Gundagai	467	4,796	21,587	274,889	2,233	303,595
Gunmadah	147	2,642	12,154	297,795	887	313,478
Hartley	408	4,519	22,152	53,357	2,648	82,676
Inverell	390	4,045	29,621	245,452	1,726	280,844
Kiama	570	2,358	29,672	681	10,339	43,050
Liverpool	262	1,367	7,539	4,308	949	14,163
Macleay River	846	5,620	45,102	127	8,031	58,880

LIVE STOCK—continued.

Name of Police District.	No. of Stockholders.	Description of Stock.				Totals.
		Horses.	Horned Cattle.	Sheep.	Pigs.	
		Number.	Number.	Number.	Number.	
Maitland	968	6,108	26,959	4,569	5,620	43,256
Manning River... ..	763	5,103	27,603	652	11,813	45,171
Metropolitan	1,607	4,166	6,404	735	5,152	16,457
Mitchell	88	4,850	47,658	1,205,794	323	1,258,625
Moama	207	1,106	4,489	140,713	455	146,763
Molong	589	4,536	9,410	285,990	1,787	301,723
Mudgee	698	6,435	17,300	134,552	2,955	161,242
Murrurundi	284	2,658	14,980	296,738	960	315,336
Muswellbrook and Merton	269	3,399	30,452	31,583	845	66,279
Narrabri	139	4,078	87,522	249,481	808	341,889
Newcastle	230	1,107	5,215	614	1,459	8,395
Orange	540	5,145	12,374	45,474	2,940	65,933
Oxley	465	9,573	91,621	3,995,186	1,505	4,097,885
Parramatta	894	2,606	6,980	7,536	2,680	19,802
Paterson	253	2,373	20,307	3,686	4,291	30,657
Patrick's Plains	483	5,208	51,348	57,790	5,276	119,622
Penrith	474	3,161	15,898	5,669	2,090	26,818
Port Macquarie	236	1,678	15,727	1,324	4,567	23,296
Port Stephens	345	3,013	42,222	4,436	6,054	55,725
Queanbeyan	493	6,921	44,991	333,022	1,681	386,615
Raymond Terrace	326	2,409	14,439	563	3,307	20,718
Richmond River	868	7,174	146,630	416	3,273	157,493
Rylstone	296	3,142	12,701	142,212	1,128	159,183
Scone	346	3,982	39,524	197,972	969	242,447
Shoalhaven	714	3,741	28,739	706	8,016	41,202
Tamworth	683	7,813	30,008	402,528	2,361	442,710
Tenterfield	274	2,902	39,510	80,420	982	123,814
Tumut	436	5,031	36,718	136,774	2,163	180,686
Tweed River	68	204	1,021	385	1,610
Vegetable Creek	27	569	6,207	98,213	145	105,134
Wagga Wagga	650	6,489	35,096	1,446,019	2,333	1,489,937
Walgett	54	2,487	94,408	250,255	197	347,347
Warialda	367	10,489	201,089	647,977	1,252	860,807
Wellington	500	4,302	8,899	257,236	1,604	272,041
Wentworth	70	1,430	4,416	627,121	369	633,336
Windsor	722	5,261	13,420	3,355	5,908	27,944
Wollombi	265	2,379	13,245	1,067	2,158	18,849
Wollongong	596	2,071	19,933	922	5,653	28,579
Yass	619	5,744	19,208	348,069	2,300	375,321
Young	615	4,299	17,131	424,845	2,637	448,912
General Total	35,435	336,468	2,771,583	23,967,053	220,320	27,295,424

No. 102.—DECENNIAL RETURN of LIVE STOCK in the Colony.

Year ended 31 March.	Horses.	Horned Cattle.	Sheep.	Pigs.	Year ended 31 March.	Horses.	Horned Cattle.	Sheep.	Pigs.
	No.	No.	No.	No.		No.	No.	No.	No.
1870	280,304	1,795,904	14,989,923	175,924	1875	346,691	2,856,699	22,872,882	219,958
1871	337,597	2,195,096	16,308,585	243,066	1876	357,696	3,134,086	24,382,536	199,950
1872	304,100	2,014,888	16,278,697	213,193	1877	366,703	3,131,013	24,503,388	173,604
1873	328,408	2,287,660	17,560,048	218,904	1878	328,150	2,746,385	20,962,244	191,677
1874	334,462	2,794,327	20,501,506	240,680	1879	336,468	2,771,583	23,967,053	220,320

STATISTICS—1878.

AGRICULTURE.

No. 103.—ABSTRACT RETURN of AGRICULTURE for the Year ending 31st March, 1879, showing the Number of Holders of Land exceeding 1 Acre, the extent of Holding, distinguishing Freeholders from Leaseholds (exclusive of the area of Runs leased from the Crown), together with the Acreage under Crop and the Produce thereof in each Police District of the Colony of New South Wales.

Table with columns for Police Districts, Extent of Land in Cultivation, Total Extent of Holdings, Crops (Wheat, Maize, Barley, Oats, Rye, Millet, Potatoes, Tobacco, Sorghum and Imphee, Sugar-cane, Sown Grasses, Vineyards, Orchards, Gardens and Orchards, All other in Crop), Produce (Wheat, Maize, Barley, Oats, Rye, Millet, Potatoes, Tobacco, Sorghum and Imphee, Sugar-cane grown, Sugar produced, Arrowroot), Vineyards (Wine-making, Table use), and Oranges. Rows list various police districts like Albury, Armidale, Balranald, Bathurst, Bega, Berrima, Bombala, Boorowa, Bourke, Broadwood, Brewarrina, Brisbane Water, Broolue, Camden, Campbelltown, Carool, Cassilis, Cooma, Coonamble, Cowra, Deniliquin, Dubbo, Dumung, Eden, Forbes, Glen Innes, Goulburn, Grafton, Gundagai, Gunnedah, Hartley, Inverell, Kiama, Liverpool, Macleay River, Maitland, Manning River, Metropolitan, Mitchell, Moama, Molong, Mudgee, Murrumbidgee, Muswellbrook, Merton, Narrabri, Newcastle, Orange, Oxley, Parramatta, Paterson, Patrick's Plains, Penrith, Port Macquarie, Port Stephens, Queanbeyan, Raymond Terrace, Richmond River, Rylstone, Scone, Shoalhaven, Tamworth, Tenterfield, Tumut, Tweed River, Vegetable Creek, Wagga Wagga, Walgett, Warialda, Wellington, Wentworth, Windsor, Wollombi, Wollongong, Yass, Young, and a General Total row.

AGRICULTURE.

No. 104.—DECENNIAL RETURN showing the Quantity of LAND under Crop, and the PRODUCE of the same, &c., in the Colony.

Year ended 31 March.	Crops.																		Produce.																				
	Wheat.	Maize.	Barley.	Oats.	Cotton.	Rye.	Millet.	Potatoes.	Tobacco.	Hops.	Arrowroot.	Sorghum and Imphee.	Sugar-cane.		Sown Grasses, Oats, Wheat, and Barley for Hay.	Vines.	Sown Grasses, Oats, Barley, Sorghum, &c., for Green Food for Cattle.	Gardens and Orchards.	Orangeries.	All other in Crop.	Total Number of Acres in Crop.	Wheat.	Maize.	Barley.	Oats.	Cotton.	Rye.	Millet.	Potatoes.	Tobacco.	Hops.	Arrowroot.	Sorghum and Imphee (Grain).	Sugar.	Wheat, Barley, Oats, and Sown Grasses for Hay.	Vines.			Oranges.
	acres	acres	acres	acres	a.	acres	acres	acres	acres	a.	acres	acres	acres	acres	acres	acres	acres	acres	acres	acres	acres	bush.	bush.	bush.	bush.	lbs.	bush.	bush.	tons	cwt.	lbs.	lbs.	cwt.	lbs.	tons	galls.	galls.	tons	
1870	189452	128041	91511	17301	..	2378	134	17132	366	..	31	296	3917	75034	3906	17375	14516	..	3239	482324	3200959	4880805	148617	400766	..	37434	1806	54200	3192	..	34046	8460	3563704	131985	460321	1687	955	
1871	147997	107178	4650	10683	2	1205	359	13027	225	..	34	182	1475	2607	65403	4504	43991	17168	..	5240	426976	999595	2340654	47701	119365	11	11691	4747	34118	699	..	22897	2005	1519560	69601	342674	1847	1046
1872	154030	119356	3461	13795	..	1342	254	14770	567	..	26	32	1094	2399	51805	4152	31903	14520	..	2789	417801	2229642	4015973	55234	280837	..	17339	4346	44758	4475	..	26454	3465	2780238	77459	413321	1765	508
1873	177551	116745	3727	13586	..	1260	231	15123	440	..	38	69	3470	2001	65832	4090	32510	15016	..	2892	454634	2898463	3934958	70708	270967	..	17671	4243	45112	2751	..	32613	880	10955840	105929	451450	996	573
1874	169330	116648	3579	16524	..	1235	276	14574	199	..	31	96	3565	3105	71437	4547	36490	16642	..	3443	461733	2273620	4128865	66464	322449	..	17661	4372	43424	1261	100	31430	850	1638224	110006	578985	1916	620
1875	166911	118436	3984	17973	..	1143	192	13604	539	..	47	15	4087	4453	68087	4307	40589	17571	..	3012	464957	2148394	3618436	69053	293135	..	17336	3661	38564	6069	..	29760	360	15355648	98440	634258	1859	670
1876	133609	117582	4817	18855	..	913	149	13805	491	..	40	23	3653	2800	77125	4458	50634	19407	..	2766	451133	1958640	3410517	98576	352966	..	11756	2593	41203	4098	..	46787	1195	11056136	88967	831749	2747	768
1877	145608	116364	5662	21823	..	1277	242	14171	333	..	53	51	3524	3231	111946	4457	61516	20453	..	3119	513840	2391979	3879537	134158	461916	..	22277	4400	42933	2440	..	86458	1290	10523520	159660	799709	2968	917
1878	176686	105510	5055	18580	..	1168	239	13802	399	..	51	57	3331	3735	125778	4183	65072	19900	..	2943	546556	2445507	3551306	99485	358853	..	19184	3877	34957	3049	..	83554	2745	16883323	154076	708431	1481	797
1879	233252	130582	6152	22120	..	1302	254	16724	835	..	27	47	2949	4489	104095	4237	60249	18017	4237	4008	613642	3430326	4420580	132072	447912	..	22563	5023	53590	7932	..	47484	1735	18278736	172406	634733	2540	1102	3398445

NUMBER OF OCCUPIERS OF LAND, WITH EXTENT OF HOLDINGS, &c., &c.					
Year ended 31 March.	Number of Occupiers of Land (excluding those for Pastoral purposes).	Total Extent of Holdings.	Extent of Land in Cultivation.	Extent of Land enclosed but not in Cultivation.	Extent of Land unenclosed.
		acres	acres	acres	acres
1870	27,720	7,857,469	482,324	3,693,213	3,681,931
1871	31,538	8,623,326	434,012	3,935,758	4,258,555
1872	29,174	7,855,067	417,851	3,921,505	3,515,711
1873	31,342	9,788,725	454,634	5,134,399	4,199,703
1874	32,258	10,619,532	461,733	5,836,065	4,321,734
1875	35,131	12,144,158	464,957	6,098,988	5,580,213
1876	36,984	13,525,497	451,138	7,771,063	5,303,289
1877	39,639	18,210,796	513,840	11,020,968	6,675,937
1878	40,329	19,435,894	546,556	13,792,620	5,096,720
1879	37,887	21,471,596	613,642	15,903,803	4,954,150

* 1872.—This quantity is exclusive of the produce of 748 acres of Sugar-cane grown in the Grafton District, which could not be ascertained.

AGRICULTURE—continued.

HOLDINGS OF VARIOUS SIZES.

No. 105.—RETURN showing the number of holders of LAND of various sized holdings of not less than an Acre in extent, with the acreage under crop, and the area enclosed but not in cultivation, in the year ending 31st March, 1879.

Holdings of various sizes.					Number of Holders.	Extent of Holding.			Acreage under crop.			Area enclosed but not in cultivation.		
						Freehold.	Leasehold.	Total.	Freehold.	Leasehold.	Total.	Freehold.	Leasehold.	Total.
From	1	to	5	acres ...	2,561	5,362 $\frac{3}{4}$	2,299 $\frac{1}{4}$	7,662	2,397 $\frac{3}{4}$	1,017 $\frac{1}{2}$	3,415 $\frac{1}{4}$	2,626 $\frac{1}{2}$	1,198 $\frac{3}{4}$	3,825 $\frac{1}{4}$
	6	15	2,115	13,224 $\frac{3}{4}$	7,758 $\frac{3}{4}$	20,983 $\frac{1}{2}$	5,213 $\frac{1}{2}$	3,497 $\frac{1}{4}$	8,710 $\frac{3}{4}$	6,967 $\frac{3}{4}$	4,008	10,975 $\frac{3}{4}$
	16	30	2,236	25,673 $\frac{3}{4}$	27,485 $\frac{3}{4}$	53,159 $\frac{1}{2}$	9,068 $\frac{1}{4}$	14,740	23,808 $\frac{1}{4}$	14,338 $\frac{1}{4}$	12,040 $\frac{3}{4}$	26,379
	31	50	5,194	158,411 $\frac{1}{2}$	59,169 $\frac{3}{4}$	217,581 $\frac{1}{4}$	30,560	23,693 $\frac{3}{4}$	54,253 $\frac{3}{4}$	77,387	30,865 $\frac{3}{4}$	108,252 $\frac{3}{4}$
	51	100	6,510	383,845	133,992 $\frac{1}{2}$	517,837 $\frac{1}{2}$	60,244 $\frac{3}{4}$	34,270 $\frac{3}{4}$	94,515 $\frac{1}{2}$	209,489 $\frac{1}{2}$	86,958 $\frac{1}{2}$	296,448
	101	200	6,420	797,782 $\frac{1}{2}$	178,961	976,743 $\frac{1}{2}$	87,638 $\frac{1}{2}$	28,457 $\frac{1}{2}$	116,096	462,575 $\frac{3}{4}$	129,572	592,147 $\frac{3}{4}$
	201	300	3,028	666,130 $\frac{3}{4}$	105,395 $\frac{1}{2}$	771,526 $\frac{1}{4}$	57,959 $\frac{1}{4}$	12,081 $\frac{3}{4}$	70,041	401,724	81,348 $\frac{3}{4}$	483,072 $\frac{3}{4}$
	301	400	2,885	889,510 $\frac{1}{2}$	96,992 $\frac{1}{2}$	986,503	49,947 $\frac{1}{4}$	7,711 $\frac{3}{4}$	57,659	588,714 $\frac{1}{4}$	69,715 $\frac{3}{4}$	658,430
	401	500	1,177	486,562 $\frac{1}{2}$	53,211 $\frac{1}{2}$	539,774	26,232 $\frac{1}{2}$	4,906	31,138 $\frac{1}{2}$	312,939 $\frac{3}{4}$	34,954	347,893 $\frac{3}{4}$
	501	600	777	383,440 $\frac{1}{2}$	51,915 $\frac{3}{4}$	435,355 $\frac{3}{4}$	17,031 $\frac{1}{4}$	2,787 $\frac{1}{2}$	19,818 $\frac{3}{4}$	259,277 $\frac{3}{4}$	34,666 $\frac{3}{4}$	293,944 $\frac{1}{2}$
	601	700	1,674	981,636 $\frac{3}{4}$	103,042 $\frac{1}{2}$	1,084,679 $\frac{1}{4}$	24,043 $\frac{1}{4}$	3,186 $\frac{1}{4}$	27,229 $\frac{1}{2}$	660,664 $\frac{1}{4}$	67,159 $\frac{3}{4}$	727,824
	701	800	355	222,565 $\frac{3}{4}$	46,019 $\frac{3}{4}$	268,585 $\frac{1}{2}$	8,750 $\frac{1}{2}$	2,445	11,195 $\frac{1}{2}$	149,824 $\frac{1}{2}$	32,569 $\frac{3}{4}$	182,394 $\frac{1}{4}$
	801	900	269	190,394 $\frac{1}{4}$	40,610	231,004 $\frac{1}{4}$	6,379 $\frac{1}{2}$	413	6,792 $\frac{1}{2}$	137,326	25,480	162,806
	901	1,000	346	270,135 $\frac{1}{4}$	64,125	334,260 $\frac{1}{4}$	8,770 $\frac{3}{4}$	1,574 $\frac{1}{2}$	10,345 $\frac{1}{4}$	189,722 $\frac{3}{4}$	48,538 $\frac{1}{2}$	238,261 $\frac{1}{4}$
	1,001	1,500	802	787,824	198,944 $\frac{1}{2}$	986,768 $\frac{1}{2}$	18,063 $\frac{3}{4}$	2,422 $\frac{1}{2}$	20,486 $\frac{1}{4}$	567,401 $\frac{1}{2}$	120,488	687,889 $\frac{1}{2}$
	1,501	2,000	357	493,162 $\frac{1}{2}$	142,034 $\frac{3}{4}$	635,197 $\frac{1}{4}$	10,078 $\frac{3}{4}$	1,055 $\frac{1}{4}$	11,134	366,748 $\frac{1}{2}$	100,573 $\frac{1}{2}$	467,322
	2,001	3,000	387	780,740 $\frac{3}{4}$	181,581	962,321 $\frac{3}{4}$	9,849	1,317 $\frac{1}{4}$	11,166 $\frac{1}{4}$	597,289	107,654 $\frac{3}{4}$	704,943 $\frac{3}{4}$
	3,001	4,000	162	457,310 $\frac{1}{4}$	112,300	569,610 $\frac{1}{4}$	4,405	225	4,630	351,039 $\frac{1}{4}$	66,400 $\frac{1}{2}$	417,439 $\frac{3}{4}$
	4,001	5,000	102	397,496 $\frac{1}{4}$	65,396	462,892 $\frac{1}{4}$	3,687 $\frac{1}{4}$	141 $\frac{3}{4}$	3,829	303,327	52,768 $\frac{1}{4}$	356,095 $\frac{1}{4}$
	5,001	7,500	149	738,949 $\frac{1}{2}$	162,640	901,589 $\frac{1}{2}$	5,437	684	6,121	558,036 $\frac{1}{2}$	71,216	629,252 $\frac{1}{2}$
	7,501	10,000	84	643,059 $\frac{1}{2}$	91,863	734,922 $\frac{1}{2}$	5,334	104	5,438	474,473 $\frac{1}{2}$	42,989	517,462 $\frac{1}{2}$
	10,001	15,000	91	936,100 $\frac{1}{2}$	148,637 $\frac{1}{2}$	1,084,738	3,328	43	3,371	673,647 $\frac{1}{2}$	96,647 $\frac{1}{2}$	770,295
	15,001	20,000	52	770,212 $\frac{1}{4}$	110,974	880,186 $\frac{1}{4}$	5,270 $\frac{1}{4}$	14	5,284 $\frac{1}{4}$	657,743	83,796	741,539
	20,001	30,000	51	1,097,768	129,337 $\frac{1}{2}$	1,227,105 $\frac{1}{2}$	2,041 $\frac{1}{2}$	7	2,048 $\frac{1}{2}$	877,737 $\frac{1}{2}$	101,180 $\frac{1}{2}$	978,918
	30,001	40,000	36	1,077,589 $\frac{3}{4}$	145,949	1,223,538 $\frac{3}{4}$	1,625 $\frac{1}{4}$	30	1,655 $\frac{1}{4}$	976,835 $\frac{1}{2}$	72,373	1,049,208 $\frac{1}{2}$
	40,001	and upwards	67	5,244,663	102,407	5,347,070	3,429 $\frac{1}{4}$	30	3,459 $\frac{1}{4}$	4,369,866 $\frac{1}{4}$	80,916	4,450,782 $\frac{1}{4}$
General Total ...					37,887	18,908,552 $\frac{3}{4}$	2,563,043 $\frac{1}{4}$	21,471,596	466,786	146,856 $\frac{1}{4}$	613,642 $\frac{1}{4}$	14,247,723 $\frac{1}{2}$	1,656,080	15,903,803 $\frac{1}{2}$

PART VI.

MONETARY AND FINANCIAL.

CONTENTS.

Number of Return.		Page.
106	Taxes, Duties, &c.	202
107	Fees, &c.	220
108	Accounts, Weights, and Measures	235
109	Course of Exchange	235
110	Rates of Interest allowed to Depositors by the Banks	236
111	Coin and Bullion in the Mint, Banks, &c.	236
112	" " —(Decennial Return)	237
113	Coins in Circulation	237
114	Paper Currency in Circulation	237
115	Banks—Average Assets and Liabilities, &c., &c., for each Quarter of the Year... ..	238
116	New South Wales Savings' Bank—Deposits, Investments, Rates of Interest, &c.	240
117	" No. of Depositors; Amount of Deposits, &c., &c.	241
118	" Decennial Return, showing increase and decrease of Deposits, &c., &c.	241
119	Government Savings' Banks—Number of Accounts Opened and Closed; Amount of Deposits, &c., &c.	242
120	Mint—Gold received and issued, from 14 May, 1855, to 31 December, 1878; also, the Countries in which the Gold was produced	244
121	Railways—Receipts and Expenditure	245
122	" " (Decennial Return)	245
123	Electric Telegraphs—Number and Value of Telegrams sent from each Station	246
124	" Revenue received; Number and Value of Foreign and Inter- colonial Telegrams transmitted and issued, &c., &c.	248
125	" Number of Stations and Telegrams; Receipts; Miles of Wire and Cost of Construction—(Decennial Return)	248
126	Post Offices—Letters, &c.—(Decennial Return)	249
127	Money Orders—Issued and paid at the several Offices in the Colony	250
128	" Revenue received for Commission on Orders; the Number and Amount of Orders issued in the Colony and places at which they were made payable; also the Number and Amount of Orders paid in the Colony and the places at which they were originally issued	252
129	" Decennial Return	252
130	Immigration—Moneys paid on account of—(Decennial Return)	253
131	Military Expenditure	253
132	Local Revenues—Municipality—Sydney	254
133	" —Boroughs and Municipal Districts	255
134	" —Roads Trusts	257

TAXES, DUTIES, &c.

No. 106.—SCHEDULE of TAXES, DUTIES, FEES, and all other sources of Revenue, specified under the respective Laws or Authorities under which they are derived.

Act of Council under which levied.	SPECIFICATION OF TAXES, DUTIES, &c.	Authority under which originally established.	At what Period.
COLONIAL SPIRITS.			
LICENSED DISTILLERIES.			
29 Vict., No. 15 (19 Jan., 1866).	Upon spirits made or distilled within the Colony, from sugar which shall have paid Customs duties the gal.	s. d. 9 5	} Act of Parliament 59 Geo. III, c. 114 } 12 July, 1819. 19 Vict., No. 15. } 14 Sept., 1855.
	Upon spirits made or distilled within the Colony, wholly or in any proportion exceeding 10 per cent. of the whole from materials which are not subject to any duty of Customs do.	10 0	
BONDED DISTILLERIES AND SUGAR-HOUSES.			
Act of the Par- liament of New South Wales, 26 Vict., No. 18. (Assented to, 20 Dec., 1862) ..	All spirits, sugar and treacle, produced under this Act, subject to same rules and liable to the same duties as if imported.	} 26 Vict., No. 18..	} 20 Dec., 1862.
COLONIAL BRANDY.			
VINEYARDS.			
Act of the Par- liament of New South Wales, 30 Vict., No. 15, 6 Dec., 1866 ..	Brandy distilled by the owners of vineyards, from grapes the produce of such vineyards, and deposited in any bonded warehouse, liable to the same duty as brandy imported into the Colony; and the same may be sold and delivered out of bond, either for export or home consumption, in the same manner as brandy imported.	} 30 Vict., No. 15..	} 6 Dec., 1866
CUSTOMS.			
IMPORT DUTIES.			
Act of the Par- liament of New South Wales, 34 Vic., No. 21	Bacon per lb.	0 2	} Act of Parliament 59 Geo. III, c 114 } 12 July, 1819. 19 Vict., No. 14.. } 14 Sept., 1855. 21 Vict., No. 1 .. } 20 Nov., 1857. 25 Vict., No. 10.. } 30 Dec., 1861. 29 Vict., No. 3 .. } 20 June, 1865.
	Bags and Sacks per dozen	1 0	
	Do. Gunny do.	0 6	
	Beer, Ale, Porter, Spruce or other Beer—in wood or jar per gallon	0 6	
	Beer, Ale, Porter, Spruce or other Beer—in bottle..	0 9	
	Biscuits per lb.	0 1	
	Blue do.	0 1	
	Candles do.	0 1	
	Cement per barrel	2 0	
	Cheese per lb.	0 2	
	Chicory do.	0 3	
	Chocolate do.	0 3	
	Cigars do.	5 0	
	Cocoa do.	0 3	
	Coffee do.	0 3	
	Comfits do.	0 1½	
	Confectionery do.	0 1½	
	Cordage per ton	40 0	
	Corn Flour per lb.	0 1	
	Dates do.	0 1	
	Doors each	1 0	
	Fish—Dried, Preserved, or Salt per lb.	0 1	
	Fruits—Bottled, quarts per dozen	2 0	
	Do. do. pints and smaller quantities do.	1 0	
	Do. Dried per lb.	0 2	
	Ginger do.	0 1	
	Hams do.	0 2	
	Hops do.	0 3	
	Iron—Galvanized, in bars, bundles, or sheets, or corrugated per ton	40 0	
	Iron—Galvanized Manufactures per cwt.	3 0	
	Iron Wire per ton	20 0	
	Jams per lb.	0 1	
	Jellies do.	0 1	
	Maizena do.	0 1	
	Malt per bushel	0 6	
	Mustard per lb.	0 1	
	Nails per ton	40 0	
	Nuts of all kinds (except Cocoa-nuts) per lb.	0 1	
Oilman's Stores—Sauces and Pickles—quarts per dozen	1 0		
Do. do. pints and smaller quantities do.	0 6		
Oils, except Animal, Black, Cocoa-nut, and Sperm..	per gallon	0 6	
Opium (including all goods wares and merchandise mixed or saturated with opium or with any pre- paration or solution thereof or steeped therein)..	per lb.	10 0	
Paints per ton	40 0		
Paper—Writing and Fancy per lb.	1 0		
Do. Brown and Wrapping per cwt.	3 4		
Pepper per lb.	0 2		

Act of Council under which levied.	SPECIFICATION OF TAXES, DUTIES, &c.— <i>continued.</i>	Authority under which originally established.	At what period.
CUSTOMS—<i>continued.</i>			
IMPORT DUTIES—<i>continued.</i>			
		s. d.	
	Powder—Blasting per lb.	0 1	
	Do. Sporting do.	0 3	
	Preserves do.	0 1	
	Rice per ton	60 0	
	Rope do.	40 0	
	Sago per lb.	0 1	
	Salt and Saltpetre per ton	20 0	
37 Vic. No. 5	Sarsaparilla—If containing not more than twenty-five per centum of proof Spirits per liquid gallon	4 0	
	Sashes each	1 0	
	Shot per cwt.	5 0	
	Shutters each	1 0	
	Soda Crystals per ton	20 0	
	Spices per lb.	0 2	
	Spirits—On all kinds of Spirits imported into the Colony the strength of which can be ascertained by Sykes' Hydrometer the proof gallon	10 0	Act of Parliament } 12 July, 1819.
Act of the Parliament of New South Wales, 34 Vic., No. 21	Spirits—On all Spirits and spirituous compounds imported into the Colony the strength of which cannot be ascertained by Sykes' Hydrometer the liquid gall.	10 0	59 Geo. III, c. 114 } 14 Sept., 1855.
	Spirits—Methylated per gallon	2 0	19 Vict., No. 14.. } 20 Nov., 1857.
	Starch per lb.	0 1	21 Vict., No. 1.. } 30 Dec., 1861.
	Succades do.	0 1½	25 Vict., No. 10.. } 20 June, 1865.
	Sugar—Raw per cwt.	5 0	29 Vict., No. 3.. }
	Do. Refined do.	6 8	
	Do. Molasses and Treacle do.	3 4	
	Tea per lb.	0 3	
	Timber—Dressed per 100 feet super.	2 0	
	Do. Rough and undressed do.	1 0	
	Tobacco—Manufactured and Snuff per lb.	2 0	
	Do. Unmanufactured do.	1 0	
	Do. Sheepwash do.	0 3	
	Turpentine per gallon	1 0	
	Varnish do.	2 0	
	Vinegar do.	0 6	
	Wines—sparkling do.	6 0	
	Do. other kinds do.	4 0	
	Woolpacks each	0 3	
EXEMPTIONS.			
19 Vict., No. 14 } (14 Sept., 1855.)	All goods imported for the supply of Her Majesty's Service exempted from all duties and imposts of every description whatsoever.		
7 Vict., No. 28 }	All Wine imported into the Colony of New South Wales, or taken out of bond, for the use of Military or Naval Officers serving on full pay in the said Colony or the adjoining seas, is exempted from duty.		
EXPORT DUTIES.			
	Gold per oz. (Troy)	s. d. 1 6	
	Wrought or unwrought, by sea or land.		
EXEMPTIONS.			
26 Vict., No. 5 } (13 Oct., 1862.)	This duty not leviable upon assayed duty-paid gold from the Branch Royal Mint at Sydney, coined gold issued from the Royal Mint at London, or of any Branch thereof, or of any Foreign State. Articles of plate, jewellery, or ornament, actually worn upon the person, or made elsewhere than in the Colony.		
		20 Vict., No. 17.	12 Feb., 1857.
WINE, CIDER, AND PERRY.			
Act of the Parliament of N.S.W., 26 Vic., No. 16 } (Assented to, 20 Dec., 1862) .. }	Produced from fruit grown in the Colony, license fee £1 0 0		
Amended by Act 40 Vic. No. 7. } (9 Aug., 1876) }	Every license, whensoever granted, shall have effect on and from the day of the date thereof until 1st July then next, and may be renewed as of that day in each year, on payment of aforesaid fee.		
	The premises licensed must be of the annual value of £30, if in a Township; or if elsewhere, of the annual value of £15.		
		26 Vict., No. 16.	20 Dec., 1862.

Act of Council under which levied.	SPECIFICATION OF TAXES, DUTIES, &c.— <i>continued.</i>	Authority under which originally established.	At what Period.																																																																																																																								
<p>Governor and Executive Council. (To take effect from 1st Oct., 1876.)</p> <p>26 Vict., No. 5 (13 Oct. 1862.)</p>	<p align="center">BRANCH ROYAL MINT, SYDNEY. RECEIPT AND COINAGE OF GOLD.</p> <p>Deposits of gold in dust or bullion will be received at the Mint for coinage on the following terms:— In respect to gold, the produce of New South Wales— (1.) A deposit of which the standard weight is less than one thousand ounces troy, at the rate of eight-pence per ounce (standard); eight shillings being charged for any deposit under twelve ounces. (2.) An undivided deposit of which the standard weight is one thousand ounces and under five thousand ounces troy, at the rate of six-pence per ounce (standard). (3.) An undivided deposit of which the standard weight is five thousand ounces troy, and upwards, at the rate of four-pence per ounce (standard). In respect to gold certified to be the produce of any other Colony or Country— (4.) A deposit of which the standard weight is less than one thousand ounces troy, at the rate of five-pence per ounce (standard); five shillings being charged for any deposit under twelve ounces. (5.) An undivided deposit of which the standard weight is one thousand ounces troy, and upwards, at the rate of three-pence per ounce (standard). (6.) An undivided deposit of which the standard weight is five thousand ounces troy, and upwards, at the rate of two-pence per ounce (standard). Light Gold Coin of the Realm will be received for re-coinage without any charge whatever. All fine silver over and above two per cent. contained in refinable gold, will be paid for at a rate to be from time to time notified in the <i>Gazette</i>, and exhibited at the Mint. Gold bullion, in ingots or bars of any fineness, can be obtained at the Mint, at £3 17s. 10½d. per ounce standard. When the gold is required to be alloyed with silver, the silver will be charged for at the purchase rate. Gold imported, 1s. 3d. per oz. Troy of standard fineness, as declared after the said gold shall have been assayed and brought to the standard of 22 carats fine at the Mint.</p>	<p>20 Vict., No. 17.</p>	<p>12 Feb., 1857.</p>																																																																																																																								
<p>20 Vict., No. 21 (23 Feb., 1857.)</p>	<p align="center">BONDED WAREHOUSES.</p> <p>Occupier of any Warehouse not containing more than 50 tons £50 per annum And for every additional 10 tons, the further duty of £1 do. not exceeding £300. To be paid on the 31st March in each year.</p>	<p>20 Vict., No. 21.</p>	<p>23 Feb., 1857.</p>																																																																																																																								
<p>8 Vict., No. 16 (20 Dec., 1844.)</p>	<p align="center">WHARFAGE RATES. PUBLIC WHARVES.</p> <table border="1"> <thead> <tr> <th></th> <th>In-wards.</th> <th>Out-wards.</th> </tr> <tr> <th></th> <th>s. d.</th> <th>s. d.</th> </tr> </thead> <tbody> <tr><td>Acids</td><td>0 8</td><td>0 6</td></tr> <tr><td>Agricultural Implements</td><td>0 8</td><td>0 6</td></tr> <tr><td>Alum, barrel or keg</td><td>0 8</td><td>0 6</td></tr> <tr><td> " the ton</td><td>1 8</td><td>1 3</td></tr> <tr><td>Alkali, loose, the ton</td><td>1 8</td><td>1 3</td></tr> <tr><td> " in casks, according to size.</td><td></td><td></td></tr> <tr><td>Almonds, the hogshead</td><td>1 0</td><td>0 9</td></tr> <tr><td> " the package, cask, or case..</td><td>0 4</td><td>0 3½</td></tr> <tr><td> " the bag</td><td>0 2</td><td>0 1</td></tr> <tr><td>Anchors, Grapnels, the ton</td><td>2 4</td><td>1 9</td></tr> <tr><td> " in small packages, each..</td><td>0 4</td><td>0 3</td></tr> <tr><td>Anchovies, the crate</td><td>0 8</td><td>0 6</td></tr> <tr><td> " the case</td><td>0 4</td><td>0 3</td></tr> <tr><td> " the barrel or keg..</td><td>0 2</td><td>0 1½</td></tr> <tr><td>Aniseed, the package</td><td>0 4</td><td>0 3</td></tr> <tr><td>Annatto, the cask or case</td><td>0 4</td><td>0 3</td></tr> <tr><td> " the basket or bag</td><td>0 3</td><td>0 2½</td></tr> <tr><td>Antimony Ore, the ton</td><td>2 4</td><td>1 9</td></tr> <tr><td>Anvils, each</td><td>0 2</td><td>0 1½</td></tr> <tr><td> " per ton</td><td>1 8</td><td>1 3</td></tr> <tr><td>Asses and Mules, each</td><td>0 8</td><td>0 6</td></tr> <tr><td>Axletrees, each</td><td>0 4</td><td>0 3</td></tr> <tr><td>Apples, the package</td><td>0 4</td><td>0 3</td></tr> <tr><td>Arrowroot, the cask or case</td><td>0 4</td><td>0 3</td></tr> <tr><td>Apparel, Wearing, the case</td><td>0 4</td><td>0 3</td></tr> <tr><td>Bacon, the bale, bundle, or case</td><td>0 4</td><td>0 3</td></tr> <tr><td> " the side..</td><td>0 2</td><td>0 1½</td></tr> <tr><td>Bags, empty, the bale or bundle</td><td>0 4</td><td>0 3</td></tr> <tr><td>Bark, loose or in bags, the ton</td><td>1 8</td><td>1 3</td></tr> <tr><td> " Peruvian, the case or chest</td><td>0 6</td><td>0 4½</td></tr> <tr><td>Barley, loose or in bags, the bushel</td><td>0 0½</td><td>0 0½</td></tr> <tr><td> " Pearl, the cask or case</td><td>0 4</td><td>0 3</td></tr> <tr><td> " the keg or jar..</td><td>0 2</td><td>0 1½</td></tr> <tr><td>Baskets, empty, each</td><td>0 1</td><td>0 0½</td></tr> <tr><td>Beans, in bags, the bushel</td><td>0 0½</td><td>0 0½</td></tr> <tr><td> " in casks, according to size.</td><td></td><td></td></tr> <tr><td>Beef and Pork, the tierce or hogshead</td><td>0 6</td><td>0 4½</td></tr> <tr><td> " the barrel</td><td>0 4</td><td>0 3</td></tr> </tbody> </table>		In-wards.	Out-wards.		s. d.	s. d.	Acids	0 8	0 6	Agricultural Implements	0 8	0 6	Alum, barrel or keg	0 8	0 6	" the ton	1 8	1 3	Alkali, loose, the ton	1 8	1 3	" in casks, according to size.			Almonds, the hogshead	1 0	0 9	" the package, cask, or case..	0 4	0 3½	" the bag	0 2	0 1	Anchors, Grapnels, the ton	2 4	1 9	" in small packages, each..	0 4	0 3	Anchovies, the crate	0 8	0 6	" the case	0 4	0 3	" the barrel or keg..	0 2	0 1½	Aniseed, the package	0 4	0 3	Annatto, the cask or case	0 4	0 3	" the basket or bag	0 3	0 2½	Antimony Ore, the ton	2 4	1 9	Anvils, each	0 2	0 1½	" per ton	1 8	1 3	Asses and Mules, each	0 8	0 6	Axletrees, each	0 4	0 3	Apples, the package	0 4	0 3	Arrowroot, the cask or case	0 4	0 3	Apparel, Wearing, the case	0 4	0 3	Bacon, the bale, bundle, or case	0 4	0 3	" the side..	0 2	0 1½	Bags, empty, the bale or bundle	0 4	0 3	Bark, loose or in bags, the ton	1 8	1 3	" Peruvian, the case or chest	0 6	0 4½	Barley, loose or in bags, the bushel	0 0½	0 0½	" Pearl, the cask or case	0 4	0 3	" the keg or jar..	0 2	0 1½	Baskets, empty, each	0 1	0 0½	Beans, in bags, the bushel	0 0½	0 0½	" in casks, according to size.			Beef and Pork, the tierce or hogshead	0 6	0 4½	" the barrel	0 4	0 3	<p>Order of Governor King .. } Order of Governor Bligh .. } Proclamation, which was legalized by Act of Council 6 Geo. IV., No. 20 .. } Acts of Council—3 Wm. IV., No. 6 .. } 4 Vict., No. 4 .. } 7 Vict., No. 12.. }</p>	<p>11 Oct., 1800. 11 Nov., 1807. 14 Aug., 1818. 1 Nov., 1825. 31 Aug., 1832. 21 July, 1840. 8 Dec., 1843.</p>
	In-wards.	Out-wards.																																																																																																																									
	s. d.	s. d.																																																																																																																									
Acids	0 8	0 6																																																																																																																									
Agricultural Implements	0 8	0 6																																																																																																																									
Alum, barrel or keg	0 8	0 6																																																																																																																									
" the ton	1 8	1 3																																																																																																																									
Alkali, loose, the ton	1 8	1 3																																																																																																																									
" in casks, according to size.																																																																																																																											
Almonds, the hogshead	1 0	0 9																																																																																																																									
" the package, cask, or case..	0 4	0 3½																																																																																																																									
" the bag	0 2	0 1																																																																																																																									
Anchors, Grapnels, the ton	2 4	1 9																																																																																																																									
" in small packages, each..	0 4	0 3																																																																																																																									
Anchovies, the crate	0 8	0 6																																																																																																																									
" the case	0 4	0 3																																																																																																																									
" the barrel or keg..	0 2	0 1½																																																																																																																									
Aniseed, the package	0 4	0 3																																																																																																																									
Annatto, the cask or case	0 4	0 3																																																																																																																									
" the basket or bag	0 3	0 2½																																																																																																																									
Antimony Ore, the ton	2 4	1 9																																																																																																																									
Anvils, each	0 2	0 1½																																																																																																																									
" per ton	1 8	1 3																																																																																																																									
Asses and Mules, each	0 8	0 6																																																																																																																									
Axletrees, each	0 4	0 3																																																																																																																									
Apples, the package	0 4	0 3																																																																																																																									
Arrowroot, the cask or case	0 4	0 3																																																																																																																									
Apparel, Wearing, the case	0 4	0 3																																																																																																																									
Bacon, the bale, bundle, or case	0 4	0 3																																																																																																																									
" the side..	0 2	0 1½																																																																																																																									
Bags, empty, the bale or bundle	0 4	0 3																																																																																																																									
Bark, loose or in bags, the ton	1 8	1 3																																																																																																																									
" Peruvian, the case or chest	0 6	0 4½																																																																																																																									
Barley, loose or in bags, the bushel	0 0½	0 0½																																																																																																																									
" Pearl, the cask or case	0 4	0 3																																																																																																																									
" the keg or jar..	0 2	0 1½																																																																																																																									
Baskets, empty, each	0 1	0 0½																																																																																																																									
Beans, in bags, the bushel	0 0½	0 0½																																																																																																																									
" in casks, according to size.																																																																																																																											
Beef and Pork, the tierce or hogshead	0 6	0 4½																																																																																																																									
" the barrel	0 4	0 3																																																																																																																									

Act of Council under which levied.	SPECIFICATION OF TAXES, DUTIES, &c.— <i>continued.</i>	Authority under which originally established.	At what Period.
WHARFAGE RATES—<i>continued.</i>			
PUBLIC WHARVES—<i>contd.</i>			
		In-wards.	Out-wards.
		s. d.	s. d.
8 Vict., No. 16 (20 Dec. 1844)	Beer or Cider, in bulk, the hogshead	0 6	0 4 $\frac{1}{2}$
	" " the barrel	0 4	0 3
	" bottled, 1 to 3 doz., the cask or case	0 2	0 1 $\frac{1}{2}$
	" " 4 to 5 doz.	0 3	0 2 $\frac{1}{4}$
	" " 6 to 8 doz.	0 4	0 3
	" " 9 doz.	0 6	0 4 $\frac{1}{2}$
	Beeswax, the cask or case	0 4	0 3
	Berries, Juniper, the package	0 4	0 3
	Bellows, Smiths', the pair	0 4	0 3
	Billiard-tables, each	3 4	2 6
	Biscuit, in bags, the ton	1 8	1 3
	" the puncheon	0 8	0 6
	" the hogshead	0 6	0 4 $\frac{1}{2}$
	" the barrel	0 3	0 2 $\frac{1}{4}$
	" the keg	0 2	0 1 $\frac{1}{2}$
	Blankets, the bale	0 4	0 3
	Blacklead, the cask or case	0 4	0 3
	Blacking, the hogshead	0 8	0 6
	" the cask	0 4	0 3
	" the keg	0 2	0 1 $\frac{1}{2}$
	Bottles, empty, the package	0 4	0 3
	Bones, per ton	2 4	1 9
	" Shank, 1,000	1 8	1 3
	Bran, the sack	0 1	0 0 $\frac{3}{4}$
	Brimstone, loose, the ton	1 8	1 3
	" the cask or case	0 4	0 3
	Bricks, per dozen	0 4	0 3
	Bristles, the cask or case	0 4	0 3
	Brooms or Brushes, the cask or case	0 6	0 4 $\frac{1}{2}$
	" " the bundle	0 4	0 3
	" " loose, the dozen	0 2	0 1 $\frac{1}{2}$
	Bull or Cow, each	1 8	1 3
	Burr Stones, each	0 1	0 0 $\frac{3}{4}$
	Buoys, the ton	2 4	1 9
	Butter, the barrel	0 4	0 3
	" the firkin or keg	0 2	0 1 $\frac{1}{2}$
	Boots and Shoes, the cask or case	0 4	0 3
	Books, the cask or case	0 4	0 3
	Branded Fruits, the case	0 4	0 3
	Cables, Iron, the ton	2 4	1 9
	" Rope, the ton	1 8	1 3
	Calf, each	0 8	0 6
	Camphor, the tub or chest	0 4	0 3
	Camphorwood Planks, per 1,000	1 8	1 3
	Canes or Bamboos, per 100 bundles	1 8	1 3
	" loose, per hundred	0 1	0 0 $\frac{3}{4}$
	Candles, the package	0 4	0 3
	Cannons, the ton	2 4	1 9
	Canvas, the bale	0 4	0 3
	" the bolt	0 1	0 0 $\frac{3}{4}$
" the bale of 2 bolts	0 2	0 1 $\frac{1}{2}$	
Carts, each	1 8	1 3	
Capers, the cask or case	0 4	0 3	
" the keg	0 2	0 1 $\frac{1}{2}$	
Cards, the case	0 4	0 3	
Casks, empty, the ton	0 4	0 3	
Cardamons, the case	0 4	0 3	
" the bag	0 2	0 1 $\frac{1}{2}$	
Carpets, the bale or case	0 4	0 3	
Caraway Seeds, the case	0 4	0 3	
" the bag	0 2	0 1 $\frac{1}{2}$	
Cashu Nuts, the bag	0 2	0 1 $\frac{1}{2}$	
Cassia, the case	0 4	0 3	
Castor Oil, the case	0 4	0 3	
Carrots, the ton	1 1 $\frac{1}{2}$	0 10	
Chairs, the case	0 4	0 3	
" loose, each	0 1	0 0 $\frac{3}{4}$	
Carriages, 4-wheeled, each	3 4	2 6	
" 2-wheeled, each	1 8	1 3	
Cement, the barrel	0 4	0 3	
" loose, the ton	1 8	1 3	
Chalk or Whiting, in bulk, the ton	1 8	1 3	
" " in casks according to size.			
Cheese, the cask or case	0 4	0 3	
" in tins	0 1	0 0 $\frac{3}{4}$	
" loose, each	0 1	0 0 $\frac{3}{4}$	
Chillies, the case	0 4	0 3	
		Order of Govern- nor King .. } Order of Govern- nor Bligh .. } Proclamation, which was legalized by Act of Coun- cil 6 Geo. IV., No. 20 .. } Acts of Council— 3 Wm. IV., No. 6. } 4 Vic., No. 4 .. } 7 Vic., No. 12.. } 11 Oct., 1800. 11 Nov., 1807. 14 Aug., 1818. 1 Nov., 1825. 31 Aug., 1832. 21 July, 1840. 8 Dec., 1843.	

Act of Council under which levied.	SPECIFICATION OF TAXES, DUTIES, &c.— <i>continued.</i>	Authority under which originally established.	At what Period.
WHARFAGE RATES—<i>continued.</i>			
PUBLIC WHARVES—<i>contd.</i>			
		In-wards.	Out-wards.
		s. d.	s. d.
	Furniture, the crate	0 8	0 6
	" the package or case	0 4	0 3
	Fruit, Green, the package	0 4	0 3
	Furs, the cask or case	0 4	0 3
	Felloes, per 1,000	3 4	2 6
	Ginger, the cask or case	0 4	0 3
	" the bag	0 2	0 1½
	" per 100 pockets	3 4	2 6
	Glassware. (See Earthenware.)		
	Glass, Plate, the case	0 6	0 4½
	" Window, the box	0 4	0 3
	Glue, the hogshead	0 8	0 6
	" the cask or case	0 4	0 3
	Grates and Stoves, each	0 4	0 3
	Grain. (See Corn.)		
	Grindstones, each	0 1	0 0¾
	Grindery, the cask or case	0 6	0 4½
	Gunny Bags, the bale	0 4	0 3
	Gunpowder, free
	Gum, the cask or case	0 4	0 3
	" Kawrie, per ton	1 8	1 3
	Gypsum, the hogshead	0 8	0 6
	" the cask or case	0 4	0 3
	" loose, the ton	1 8	1 3
	Guano, loose, the ton	1 8	1 3
	Hair, the cask or case	0 4	0 3
	" the hogshead	0 6	0 4½
	Hams, loose, the dozen	0 2	0 1½
	" the hogshead	1 0	0 9
	" the case or cask	0 4	0 3
	Hardware, the hogshead or crate	0 8	0 6
	" Ironmongery, the cask or case	0 6	0 4½
	" the bag or keg	0 2	0 1½
	" the bundle	0 4	0 3
	Harps, each	1 0	0 9
	Harrows, each	0 4	0 3
	Hats, the case	0 4	0 3
	Hay, the ton	1 3	1 3
	Hemp, loose, the ton	1 8	1 3
	" the bale	0 4	0 3
	Herrings. (See Fish.)		
	Hides, per 40	1 9	1 3
	Honey, the package	0 4	0 3
	Hops, the bale or bag	0 8	0 6
	" the pocket	0 4	0 3
	Hoops, Wood, the bundle	0 1	0 0¾
	" Iron. (See Iron.)		
	Horses, each	1 0	0 9
	" Cob or Pony	0 6	0 4½
	Horns, per 100	1 8	1 3
	Hoofs, per ton	2 4	1 9
	Ice, the ton	1 0	0 9
	India-rubber, the package	0 4	0 3
	Iron, in bars, hoop or rod, pig or sheet, pots, tire, or hurdles, the ton	1 8	1 3
	" Machinery, the ton	2 4	1 9
	Ironmongery, cask or case	0 6	0 4½
	Isinglass, the package	0 4	0 3
	Ivory, the package	0 4	0 3
	Instruments, Metal	0 6	0 4½
	Jute. (See Hemp.)		
	Lacquered Ware, the package	0 4	0 3
	Lard, the case or cask	0 4	0 3
	" the keg	0 2	0 1½
	Laths, per 1,000	0 6	0 4½
	Lead, in rolls or loose, the ton	1 8	1 3
	Leather, the bale or case	0 4	0 3
	" loose, the ton	2 4	1 9
	Leeches, the package	0 4	0 3
	Lime, the ton	1 8	1 3
	Logwood, the ton
	" in casks, according to size.		
	Looking-glasses	0 6	0 4½
	Manufactures, the package	0 4	0 3
	" soft goods		
	Mangles, each	0 8	0 6

8 Vict., No. 16
(20 Dec., 1844)

Order of Govern- }
nor King .. }
Order of Govern- }
nor Bligh .. }
Proclamation, }
which was }
legalized by }
Act of Council }
6 Geo. IV., }
No. 20 .. }
Acts of Council— }
3 Wm. IV., No. 6 }
4 Vic., No. 4 .. }
7 Vic., No. 12.. }
31 Aug., 1832.
21 July, 1840.
8 Dec., 1843.

11 Oct., 1800.
11 Nov., 1807.
14 Aug., 1818.
1 Nov., 1825.
31 Aug., 1832.
21 July, 1840.
8 Dec., 1843.

Act of Council under which levied.	SPECIFICATION OF TAXES, DUTIES, &c.— <i>continued.</i>	Authority under which originally established.	At what Period.
WHARFAGE RATES—<i>continued.</i>			
PUBLIC WHARVES—<i>contd.</i>			
		In-wards.	Out-wards.
		s. d.	s. d.
	Marble, manufactured, the package.. .. .	0 8	0 6
	„ in blocks, the ton	1 8	1 3
	Matting, the roll	0 2	0 1½
	Machinery, per case	0 6	0 4½
	„ castings, per ton.. .. .	2 4	1 9
	Minerals, the ton	0 6	0 3
	Mill-stones, each	1 4	1 0
	Molasses, the puncheon	0 8	0 6
	„ the hogshead	0 6	0 4½
	„ the cask	0 4	0 3
	„ in tanks, the ton	1 8	1 3
	Mother-of-pearl Shells, the ton	1 8	1 3
	Mules, each	0 8	0 6
	Mustard, the cask or case	0 4	0 3
	Musical Instruments (not Piano or Harp), the case	0 8	0 6
	Nails, the cask	0 4	0 3
	„ bag or keg.. .. .	0 2	0 1½
	Needles, per case	0 6	0 4½
	Nuts, the case	0 4	0 3
	Nutmegs, the bag	0 2	0 1½
	Oats. (See Corn.)		
	Oakum, the ton	1 8	1 3
	Oatmeal, the cask or case	0 4	0 3
	„ the keg	0 2	0 1½
	Oars, per dozen	0 4	0 3
	Oil-cake, loose, the ton	1 8	1 3
	„ in casks, according to size.		
	Oil, Black or Sperm, the tun.. .. .	1 4	1 0
	„ if in quantities of less than a tun to be charged by the cask.		
	Linseed and other Oils, the butt	1 4	1 0
	„ „ the pipe	0 8	0 6
	„ „ the hogshead	0 6	0 4½
	„ „ the cask	0 4	0 3
	„ „ the chest or case	0 4	0 3
	Oilmen's Stores, the sugar hogshead	1 0	0 9
	„ „ the hogshead	0 6	0 4½
	„ „ the cask or case	0 4	0 3
	„ „ the keg, basket, or bag	0 2	0 1½
	Onions, per ton	1 1½	0 10
	Ornaments, figures, &c.	0 8	0 6
	Paint, sugar hogshead	1 4	1 0
	„ (and see Colours) hogshead	0 8	0 6
	„ the butt.. .. .	1 8	1 3
	„ the keg, according to weight.		
	Palings, per 1,000	5 0	...
	Pails, per dozen	0 3	0 2
	Paddy, in bulk, the ton	1 1½	0 10
	„ the bag	0 1	0 0½
	Paper, the bale or case	0 4	0 3
	Pease, the cask or case	0 4	0 3
	„ the bag or keg.. .. .	0 2	0 1½
	„ the butt.. .. .	1 4	1 0
	Pepper and Spices, the bag	0 2	0 1½
	Pianofortes, each	1 4	1 0
	Pigs, each	0 2	0 1½
	Pictures, the case	0 4	0 3
	Piece goods, the bale or case.. .. .	0 4	0 3
	Pitch, the barrel	0 4	0 3
	Ploughs, Harrows, or Drills, each	0 4	0 3
	Pork, the barrel	0 4	0 3
	„ the half-barrel	0 2	0 1½
	Potatoes, the ton	1 8	1 3
	Quicksilver, the bottle	0 2	0 1½
	Raisins, under 30 lbs., the box	0 1	0 0½
	„ 30 to 56 lbs., the box	0 2	0 1½
	„ 56 lbs. and upwards	0 4	0 3
	Rattans. (See Canes.)		
	Rice, the bag	0 1	0 0½
	Rope, the ton	2 4	1 9
	Salt, the ton	1 0	0 9
	„ the basket, the hogshead	0 8	0 6
	„ the sugar hogshead	1 4	1 0
	Sago, the cask or case	0 4	0 3
	„ the bag	0 1	0 0½

8 Vict., No. 16
(20 Dec., 1844)

Order of Governor King } 11 Oct., 1800.
 Order of Governor Bligh } 11 Nov., 1807.
 Proclamation, which was legalized by Act of Council 6 Geo. IV., No. 20 } 14 Aug., 1818.
 Acts of Council— }
 3 Wm. IV., No. 6. } 31 Aug., 1832.
 4 Vic., No. 4. } 21 July, 1840.
 7 Vic., No. 12. } 8 Dec., 1843.

Act of Council under which levied.	SPECIFICATION OF TAXES, DUTIES, &c.— <i>continued.</i>	Authority under which originally established.	At what Period.
WHARFAGE RATES—<i>continued.</i>			
PUBLIC WHARVES—<i>contd.</i>			
		In-wards.	Out-wards.
		s. d.	s. d.
	Seltzer and Soda Water, per dozen	0 1	0 0 ³ / ₄
	Sashes, per bundle of six	0 4	0 3
	Sheep or Goats, each	0 2	0 1 ¹ / ₂
	Shingles, per 1,000	0 8	1 6
	Ship's Hearth, per ton	2 4	1 9
	Shot, the cask	0 4	0 3
	" the bag or keg	0 2	0 1 ¹ / ₂
	Shooks, the bundle	0 2	0 1 ¹ / ₂
	Shower-baths	0 6	0 4
	Soap, 112 lbs. the box	0 4	0 3
	" 56 lbs.	0 2	0 1 ¹ / ₂
	" 28 lbs.	0 1	0 0 ³ / ₄
	Skins, loose, per dozen	0 2	0 1 ¹ / ₂
	" the cask or case	0 4	0 3
	" the hogshead	0 8	0 6
	Slates, per 1,000	1 8	1 3
	" writing, per case	0 6	0 4 ¹ / ₂
	Slops, the hogshead	0 8	0 6
	" the bundle	0 4	0 3
	" the bale	0 6	0 4 ¹ / ₂
	" the case	0 4	0 3
	Spades, Shovels, Forks, and Frying-pans, the dozen	0 2	0 1 ¹ / ₂
	Spars, the foot	0 0 ¹ / ₂	0 0 ³ / ₄
	Spelter, the ton	1 8	1 3
	Starch, the case	0 4	0 3
	Stationery, the package	0 4	0 3
	Staves, per 100	1 0	0 9
	Steel, the ton	2 4	1 9
	Steam Engines and Boilers, per ton	2 4	1 9
	Steel, the cask or case	0 6	0 4 ¹ / ₂
	Sugar, refined, per sugar hogshead	1 4	1 0
	" the hogshead	0 8	0 6
	" the tierce	0 6	0 4
	" the cask or case	0 4	0 3
	" raw, the bag	0 1	0 0 ³ / ₄
	" in casks or baskets, the ton	1 8	1 3
	Spokes, per 1,000	1 8	1 3
	Tallow, the hogshead	0 6	0 4 ¹ / ₂
	" Slush, or Fat, the cask	0 4	0 3
	Tar or Pitch, the barrel	0 4	0 3
	Tea, the chest	0 4	0 3
	" the half-chest	0 2	0 1 ¹ / ₂
	" the box	0 1	0 0 ³ / ₄
	Timber, the load	1 8	1 3
	Tin Plates, the box	0 4	0 3
	Threshing and Winnowing Machines, each	2 0	1 6
	Treenails	1 8	1 3
	Twine, the hogshead	0 8	0 6
	" the bale, cask, or case	0 4	0 3
	Tobacco, the hogshead	1 0	0 9
	" the tierce	0 6	0 4 ¹ / ₂
	" the keg	0 2	0 1 ¹ / ₂
	" the basket or roll	0 1	0 0 ³ / ₄
	Toys and turnery, the cask or case	0 4	0 3
	Tongues and Tripe, the keg	0 2	0 1 ¹ / ₂
	Tubs, per nest	0 4	0 3
	Vitriol, the case	0 8	0 6
	" the carboys	0 4	0 3
	Vinegar, the hogshead	0 6	0 4
	" the barrel or half-hogshead	0 3	0 2
	Wheels, cart or carriage, each	0 2	0 1 ¹ / ₂
	Whalebone, the ton	2 4	1 9
	Whale and other Boats, each	0 8	0 6
	Wheelbarrows, each	0 2	0 1 ¹ / ₂
	Wine and Spirits, the leaguer	1 0	0 9
	" the half-leaguer	0 8	0 6
	" the pipe, butt, or puncheon	0 8	0 6
	" the hogshead	0 6	0 4 ¹ / ₂
	" the barrel or quarter cask	0 3	0 2 ¹ / ₂
	" the 1 or 3 dozen cask or case	0 2	0 1 ¹ / ₂
	" 3 or 4 dozen	0 3	0 2 ¹ / ₂
	" 5 or 6 dozen	0 4	0 3
	" above 6 dozen	0 6	0 4 ¹ / ₂
	" Gin, case of 4 gallons	0 4	0 3
	" " 2 gallons	0 2	0 1 ¹ / ₂
	Wool, the bale	0 4	0 3
	Woolpacks, the bale	0 4	0 3
	Yams	1 1 ¹ / ₂	0 10

8 Vict., No. 16
(20 Dec., 1844.)

Order of Govern-
nor King .. } 11 Oct., 1800.
Order of Govern-
nor Bligh .. } 11 Nov., 1807.
Proclamation,
which was } 14 Aug., 1818.
legalized by }
Act of Coun- }
cil, 6 Geo. }
IV, No. 20.. }
Acts of Council—
3 Wm. IV, No. 6 } 31 Aug., 1832.
4 Vict., No. 4... } 21 July, 1840.
7 Vict., No. 12. } 8 Dec., 1843.

Act of Council under which levied.	SPECIFICATION OF TAXES, DUTIES, &c.— <i>continued.</i>	Authority under which originally established.	At what Period.																																												
WHARFAGE RATES—<i>continued.</i>																																															
PUBLIC WHARVES—<i>contd.</i>																																															
8 Vict., No. 16 (20 Dec., 1844).	<table border="0"> <tr> <td colspan="2">Unenumerated goods—</td> <td style="text-align: center;">In-</td> <td style="text-align: center;">Out-</td> </tr> <tr> <td></td> <td></td> <td style="text-align: center;">wards.</td> <td style="text-align: center;">wards</td> </tr> <tr> <td></td> <td></td> <td style="text-align: center;">s. d.</td> <td style="text-align: center;">s. d.</td> </tr> <tr> <td>"</td> <td>heavy, the ton.. ..</td> <td style="text-align: center;">2 4</td> <td style="text-align: center;">1 9</td> </tr> <tr> <td>"</td> <td>ditto, in packages, the tun butt ..</td> <td style="text-align: center;">1 4</td> <td style="text-align: center;">1 0</td> </tr> <tr> <td>"</td> <td>the butt or puncheon.. ..</td> <td style="text-align: center;">0 8</td> <td style="text-align: center;">0 6</td> </tr> <tr> <td>"</td> <td>the hogshead or crate</td> <td style="text-align: center;">0 6</td> <td style="text-align: center;">0 4½</td> </tr> <tr> <td>"</td> <td>the barrel</td> <td style="text-align: center;">0 4</td> <td style="text-align: center;">0 3</td> </tr> <tr> <td>"</td> <td>the keg or firkin</td> <td style="text-align: center;">0 2</td> <td style="text-align: center;">0 1½</td> </tr> <tr> <td>"</td> <td>the bundle or case</td> <td style="text-align: center;">0 4</td> <td style="text-align: center;">0 3</td> </tr> <tr> <td>"</td> <td>the jar, can, or bottle</td> <td style="text-align: center;">0 1</td> <td style="text-align: center;">0 0½</td> </tr> </table>	Unenumerated goods—		In-	Out-			wards.	wards			s. d.	s. d.	"	heavy, the ton.. ..	2 4	1 9	"	ditto, in packages, the tun butt ..	1 4	1 0	"	the butt or puncheon.. ..	0 8	0 6	"	the hogshead or crate	0 6	0 4½	"	the barrel	0 4	0 3	"	the keg or firkin	0 2	0 1½	"	the bundle or case	0 4	0 3	"	the jar, can, or bottle	0 1	0 0½	Order of Governor King .. } Order of Governor Bligh .. } Proclamation, which was legalized by Act of Council, 6 Geo. IV, No. 20 .. } Acts of Council— 3 Wm. IV, No. 6 .. } 4 Vict., No. 4 .. } 7 Vict., No. 12.. }	11 Oct., 1800. 11 Nov., 1807. 14 Aug., 1818. 1 Nov., 1825. 31 Aug., 1832. 21 July, 1840. 8 Dec., 1843.
	Unenumerated goods—		In-	Out-																																											
			wards.	wards																																											
			s. d.	s. d.																																											
	"	heavy, the ton.. ..	2 4	1 9																																											
	"	ditto, in packages, the tun butt ..	1 4	1 0																																											
	"	the butt or puncheon.. ..	0 8	0 6																																											
"	the hogshead or crate	0 6	0 4½																																												
"	the barrel	0 4	0 3																																												
"	the keg or firkin	0 2	0 1½																																												
"	the bundle or case	0 4	0 3																																												
"	the jar, can, or bottle	0 1	0 0½																																												
FREE LAY DAYS																																															
42 Vict. No. 2..	During which vessels lying at any public wharf are exempt from the payment of Tonnage Rates.																																														
	If under 100 tons	Three days																																													
	100 to 200	Five "																																													
	200 to 300	Seven "																																													
	300 to 400	Nine "																																													
	400 to 500	Twelve "																																													
Above 500	One day for each 100 tons above 500.																																														
LICENSES.																																															
MINING.																																															
37 Vict., No. 13, (1 May, 1874), Government Regulations, 13 July, 1874 ..	MINERS' RIGHTS—If issued between 1 January and 30 June in any year to be in force till 31 December .. each	£ s. d. 0 10 0																																													
	If issued between 30 June and 31 December, to be in force till 31 December each	0 5 0																																													
	Miners' Rights may also be issued for any period not exceeding fifteen years upon payment of a sum at the rate of 10s. for every year for which the same is to be in force.																																														
	BUSINESS LICENSES—If issued for twelve months .. each	1 0 0																																													
	If issued for six months	0 10 0																																													
	Mineral Licenses—For a period of twelve months	1 0 0		Proclamation....																																											
	LEASES OF AURIFEROUS TRACTS—1 to 25 acres alluvial and quartz reef per acre	1 0 0		Government Notices .. } 22 May, 1851. 23 May, 1851. 1 June, 1851. 7 Oct., 1851. 29 Mar., 1852.																																											
	Mineral Leases—Not less than 40 acres nor more than 640 acres for Coal, and not less than 20 acres nor more than 80 acres for other Minerals per acre	0 5 0			Acts of Council— 16, 17, 18, 19, and 20 Vict., Nos. 43, 23, 19, 20 and 29; and 25 Vic. No. 4 ..																																										
	Summons to attend Warden's Court	0 2 6				Government Notices .. } 1 Feb., 1853. 1 Oct., 1853. 1 Jan., 1855. 1 Jan., 1856. 11 Mar., 1857. 22 Nov., 1861. 5 Aug., 1858. 9 Feb., 1862. 31 July, 1866. 24 Sept., 1869. 17 Feb., 1870. 13 July, 1874.																																									
	For each transfer	0 10 0																																													
	For each mortgage or other encumbrance	0 10 0																																													
	For each sub-lease	1 0 0																																													
	For amalgamation of mineral lots each lot	0 10 0																																													
	For copy of, or extract from, any entry, record, report, instrument, or document per folio	0 1 6																																													
	For copy of any plan of one lease	0 5 0																																													
For copy of every additional lease on same plan	0 2 6																																														
For inspection of any record	0 1 0																																														
Fee on each Gold Mining or Mineral Lease	1 0 0																																														
RENT OF RUNS HELD FOR PASTORAL PURPOSES BEYOND THE SETTLED DISTRICTS.																																															
Act of the Parliament of New South Wales, 25 Vict., No. 2 (18 Oct., 1861)..	The minimum rent is £10 per annum—the rent being determined by an appraisalment of the fair annual value of the runs for pastoral purposes		25 Vict., No. 2 .. 18 Oct., 1861.																																												

Act of Council under which levied.	SPECIFICATION OF TAXES, DUTIES, &c.— <i>continued.</i>	Authority under which originally established.	At what Period.
LICENSES—<i>continued.</i>			
RENT OF LEASES WITHIN THE SETTLED DISTRICTS.			
	£ s. d.		
Government Regulations of 1 Nov., 1861 ..	Minimum rent of leases acquired at auction, for every section of 640 acres per annum	{ Government Regulations.. }	1 Nov., 1861.
TRANSFER FEES.			
Government Regulations of 1 Nov., 1861 ..	On recording the transfer of lease or right of lease in any run beyond Settled Districts, a fee of	{ Government Regulations.. }	1 Nov., 1861.
TIMBER AND OTHER LICENSES.			
Government Notice, 14 Dec., 1866	To cut timber, cedar, or pine, or for quarrying stone or digging clay, gravel, shells, or other material, per annum	{ Government Notices .. }	21 July, 1826. 24 April, 1835. 21 May, 1839. 16 Sept., 1850. 1 Nov., 1861. 19 July, 1864. 28 Aug., 1875.
Regulations of 21 Sept., 1878	ON RESERVES.—Licenses at various rates, as per Regulations and as sanctioned by the Executive Council.		
Government Notice, 29 Dec., 1865	PASTORAL LEASE FEE.—On the preparation and issue of lease for pastoral purposes	{ Government Notice .. }	29 Dec., 1865.
AUCTIONEER'S GENERAL LICENSE.			
11 Vict., No. 16 (31 Aug., 1847).	For all parts of the Colony, including the city of Sydney Annually	{ Order of Governor King Act of Council 9 Geo. IV, No. 13 .. }	15 Jan., 1801.
AUCTIONEER'S DISTRICT LICENSE.			
	For a Police District only do		9 Aug., 1828.
SPIRIT MERCHANTS.			
20 Vict., No. 37 (18 Mar., 1857).	Registration of the same, and description of the premises of any Spirit Merchant, if his premises are situated within the boundaries of the city do	{ 20 Vict., No. 37.. }	18 Mar., 1857.
	If situated elsewhere do		20 0 0
PUBLICAN'S GENERAL LICENSE.			
Act of Parliament of New South Wales, 25 Vict., No. 14. (Assented to, 20 Jan., 1862).	To retail fermented and spirituous liquors .. do	{ Government Order Acts of Council—7 Geo. IV, No. 2 .. }	21 July, 1810.
	For permission to allow the game of billiards to be played do		10 0 0
	For permission to allow the game of bagatelle to be played do		5 0 0
PACKET LICENSE.			
	To retail fermented and spirituous liquors, during the time the vessel is actually on her passage do		5 0 0
13 Vict., No. 27 (27 Sept., 1849)	DISTILLING SPIRITS do	{ Government Order Acts of Council—6 Geo. IV, No. 20 .. }	1 Nov., 1825.
	RECTIFYING AND COMPOUNDING SPIRITS do		12 Oct., 1838.
	APOTHECARY, CHEMIST, OR DRUGGIST, or any other person to use a still of not more than 8 gallons for any scientific purpose, or for making scent or perfume do		18 Sept., 1839.
	To distil Brandy from Wine made in the Colony .. do		12 Oct., 1838.
	Auctioneers', Distillation Licenses, &c., cease and determine on 31 December; Publicans' Licenses, &c., on 30 June in each year.		18 Sept., 1839.
	To distil Brandy from Wine made in the Colony .. do		1 Oct., 1849.
HAWKER'S AND PEDLER'S.			
*13 Vic., No. 26 (9 Oct., 1849)..	For trading on foot within a Police District .. Annually	{ Proclamation Act of Council 5 Wm. IV, No. 7 .. }	30 April, 1818.
*The 11th & 12th sections amended by Act of the Parliament of New South Wales, 26 Vict., No. 2.	For trading by pack-horse or other animal, or by cart or other vehicle, or by a boat, vessel, or craft, within a Police District do		25 July, 1834.
	Licenses may be granted on the first ordinary sitting day of any month.		
EXEMPTIONS.			
	Under the Act of Council 16 Vict., No. 4, sale of books pamphlets, periodicals, or other printed publications.		

Act of Council under which levied.	SPECIFICATION OF TAXES, DUTIES, &c.— <i>continued</i> .	Authority under which originally established.	At what Period.	
LICENSES—<i>continued</i>.				
PAWNBROKERS'.				
13 Vict., No. 37 (10 Oct., 1849).	For a Police District annually Licenses are in force for one year from the date thereof.	£ s. d. 10 0 0	} Act of Council } } 13 Vict., No. 37 }	
*6 Wm. IV, No. 2 (4 Aug., 1835).	STAGE CARRIAGE do. For a copy of such license do. Licenses cease and determine on 30 Sept. in each year.	0 5 0 0 1 0	} Act of Council } } 6 Wm. IV, No. 2 }	
4 Wm. IV, No. 7 (6 Aug., 1833).	PORTERS', SYDNEY do.	0 5 0	} Act of Council } } 4 Wm. IV, No. 7 }	
4 Vict., No. 17 (6 Oct., 1840).	BOATMEN do.	0 5 0	} Act of Council } } 4 Wm. IV, No. 7 }	
5 Wm. IV, No. 1 (4 July, 1834).	SLAUGHTERING CATTLE INTENDED FOR SALE .. do.	0 2 6	} Government Order } } Act of Council } } 11 Geo. IV, } } No. 4 .. }	
* Repealed by Act 36 Vict., No. 14—so far as it is applicable to Stage Carriages, the licensed termini of which are brought within the Police District of Sydney.				
TONNAGE DUTY.				
14 Vict., No. 15 (19 Sept., 1850)	Per ton register, per diem	s. d. .. 0 0½	} 8 Vict., No. 16 .. } } 7 Vict., No. 12 .. }	
HUNTER RIVER—TONNAGE DUTY. Every ship or vessel entering the river Hunter from the sea, 6d. per ton of the registered tonnage of such ship or vessel.				
Acts of Council, 19 Vict., No. 25, (13 Nov., 1855.) 20 Vict., No. 12, duty not to be leviable before 1 January, 1858	EXCEPTIONS. Tonnage duty not required to be paid on account of any ship or vessel (except steamers navigating the river to ports above the port of Newcastle) at any time within four months next after a previous payment thereof on account of such ship or vessel, nor on account of steamers so navigating at any time within two months next after such previous payments on account of such steamers.	} Act of Council } } 19 Vict., No. 25 }	1 Jan., 1857.	
Acts of the Par- liament of New South Wales, 25 Vict., Nos. 5 & 6. (3 Dec., 1861).	KIAMA AND WOLLONGONG—TONNAGE DUTY. Every ship or vessel entering the harbour of Kiama or Wollongong, 6d. per ton of the registered tonnage of such vessel. Such tonnage duty shall not be demanded or become payable before the 1st July, 1862.*	} 25 Vict., Nos. 5 & 6 }	3 Dec., 1861.	
* By recent enactments (27 Victoria) such tonnage duty not to be demanded or become payable before 1st July, 1864.				
TOLLS.				
2 Wm. IV, No. 12 (9 March, 1832)	For every sheep, lamb, pig, or goat ox, or head of neat cattle horse, mare, gelding, ass, or mule cart, dray, or other such vehicle, with two wheels, drawn by 1 horse or other animal If drawn by 2 horses or ditto If drawn by 3 horses or ditto If drawn by 4 horses or ditto horse or other animal above 4, drawing a cart, dray, or other such vehicle, with two wheels wain, waggon, or other such carriage, with 4 wheels, drawn by 2 horses or other animals If drawn by 3 horses or ditto If drawn by 4 horses or ditto horse or other animal above 4, drawing a waggon or other such carriage with 4 wheels gig, chaise, or other such carriage on springs, with 2 wheels, drawn by 1 horse or other animal If drawn by 2 horses or other animals coach, chariot, or other such carriage, on springs, with 4 wheels, drawn by 1 horse or other animal If drawn by 2 horses or other animals If drawn by 3 horses or ditto If drawn by 4 horses or ditto	s. d. 0 0¼ 0 1 0 2 0 3 0 4 0 5 0 6 0 1 0 8 0 9 0 10 0 2 0 6 0 9 0 9 1 0 1 3 1 6	} Proclamation .. }	30 Mar., 1811.
MEMO.—The Governor, by Proclamation, can increase or diminish the above rates, by section 5 of 14 Vict., No. 5.				

Act of Council under which levied.	SPECIFICATION OF TAXES, DUTIES, &c.— <i>continued</i> .	Authority under which originally established.	At what Period.																															
2 Wm. IV. No. 12 (9 March, 1832)	FERRIES.	Government Order ..	7 May, 1823.																															
	<table border="0" style="width: 100%;"> <tr> <td style="width: 80%;"></td> <td style="text-align: right; width: 5%;"><i>s.</i></td> <td style="text-align: right; width: 5%;"><i>d.</i></td> </tr> <tr> <td>For every foot passenger</td> <td style="text-align: right;">0</td> <td style="text-align: right;">2</td> </tr> <tr> <td>horse, mare, gelding, ass, or mule, drawing or not drawing</td> <td style="text-align: right;">0</td> <td style="text-align: right;">6</td> </tr> <tr> <td>gig, dray, or cart, with two wheels only</td> <td style="text-align: right;">1</td> <td style="text-align: right;">0</td> </tr> <tr> <td>waggon, carriage, or other vehicle, with 4 wheels</td> <td style="text-align: right;">1</td> <td style="text-align: right;">6</td> </tr> <tr> <td>ox, or head of neat cattle, drawing or not drawing,</td> <td></td> <td></td> </tr> <tr> <td> being more than 10 in number</td> <td style="text-align: right;">0</td> <td style="text-align: right;">3</td> </tr> <tr> <td> not exceeding 10</td> <td style="text-align: right;">0</td> <td style="text-align: right;">4</td> </tr> <tr> <td>sheep, lamb, pig, or goat</td> <td style="text-align: right;">0</td> <td style="text-align: right;">0½</td> </tr> </table>				<i>s.</i>	<i>d.</i>	For every foot passenger	0	2	horse, mare, gelding, ass, or mule, drawing or not drawing	0	6	gig, dray, or cart, with two wheels only	1	0	waggon, carriage, or other vehicle, with 4 wheels	1	6	ox, or head of neat cattle, drawing or not drawing,			being more than 10 in number	0	3	not exceeding 10	0	4	sheep, lamb, pig, or goat	0	0½				
				<i>s.</i>	<i>d.</i>																													
	For every foot passenger			0	2																													
	horse, mare, gelding, ass, or mule, drawing or not drawing			0	6																													
	gig, dray, or cart, with two wheels only			1	0																													
	waggon, carriage, or other vehicle, with 4 wheels			1	6																													
	ox, or head of neat cattle, drawing or not drawing,																																	
	being more than 10 in number			0	3																													
	not exceeding 10			0	4																													
sheep, lamb, pig, or goat	0	0½																																
<p>Memo.:—The Governor, by Proclamation, can increase or diminish the above charges, by Act 14 Vict., No. 5, section 5.</p>																																		
Act of the Parliament of New South Wales, 35 Vic., No. 7..	MARINE BOARD.																																	
	PILOTAGE AND LIGHT RATES.																																	
	PILOTAGE RATES.	<i>s.</i> <i>d.</i>																																
	<p>On arrival and departure per ton 0 4</p> <p>And one moiety of such rate in case a vessel being compelled to return into port after having put to sea; but in no case shall the amount of such rate be less than £2 10s. for the port of Sydney or Newcastle, nor less than £1 5s. for any other port of the Colony.</p>																																	
	HARBOR AND LIGHT RATES.	<i>s.</i> <i>d.</i>																																
	<p>Every registered ship, whether propelled by steam or otherwise (vessels employed in the whaling trade excepted), a half yearly rate of per ton 0 4</p> <p>Such payment exempts any ship from any further payment at any other port or place where tonnage dues are now or may hereafter be leviable.</p> <p>Such rates to be payable on or before 30 June and 31 December.</p> <p>No rate levied on any ship compelled to put into port by stress of weather, or to repair damages.</p>																																	
	HARBOUR REMOVAL DUES.	<i>£</i> <i>s.</i> <i>d.</i>																																
	<table border="0" style="width: 100%;"> <tr> <td style="width: 80%;">For any ship not exceeding 300 tons</td> <td style="text-align: right; width: 5%;">1</td> <td style="text-align: right; width: 5%;">0</td> <td style="text-align: right; width: 5%;">0</td> </tr> <tr> <td>Exceeding 300 tons and not exceeding 400 tons</td> <td style="text-align: right;">1</td> <td style="text-align: right;">5</td> <td style="text-align: right;">0</td> </tr> <tr> <td> " 400 500</td> <td style="text-align: right;">1</td> <td style="text-align: right;">10</td> <td style="text-align: right;">0</td> </tr> <tr> <td> " 500 600</td> <td style="text-align: right;">1</td> <td style="text-align: right;">15</td> <td style="text-align: right;">0</td> </tr> <tr> <td> " 600 800</td> <td style="text-align: right;">2</td> <td style="text-align: right;">0</td> <td style="text-align: right;">0</td> </tr> <tr> <td> " 800 1,000</td> <td style="text-align: right;">2</td> <td style="text-align: right;">10</td> <td style="text-align: right;">0</td> </tr> <tr> <td> " 1,000 tons</td> <td style="text-align: right;">3</td> <td style="text-align: right;">0</td> <td style="text-align: right;">0</td> </tr> </table>	For any ship not exceeding 300 tons	1	0	0	Exceeding 300 tons and not exceeding 400 tons	1	5	0	" 400 500	1	10	0	" 500 600	1	15	0	" 600 800	2	0	0	" 800 1,000	2	10	0	" 1,000 tons	3	0	0					
	For any ship not exceeding 300 tons	1	0	0																														
	Exceeding 300 tons and not exceeding 400 tons	1	5	0																														
" 400 500	1	10	0																															
" 500 600	1	15	0																															
" 600 800	2	0	0																															
" 800 1,000	2	10	0																															
" 1,000 tons	3	0	0																															
FEEES FOR PILOTAGE CERTIFICATE.																																		
<table border="0" style="width: 100%;"> <tr> <td style="width: 80%;">Ships not exceeding 50 tons</td> <td style="text-align: right; width: 5%;">1</td> <td style="text-align: right; width: 5%;">10</td> <td style="text-align: right; width: 5%;">0</td> </tr> <tr> <td>Exceeding 50 tons and not exceeding 100 tons</td> <td style="text-align: right;">2</td> <td style="text-align: right;">0</td> <td style="text-align: right;">0</td> </tr> <tr> <td> " 100 150</td> <td style="text-align: right;">2</td> <td style="text-align: right;">10</td> <td style="text-align: right;">0</td> </tr> <tr> <td> " 150 200</td> <td style="text-align: right;">3</td> <td style="text-align: right;">0</td> <td style="text-align: right;">0</td> </tr> <tr> <td> " 200 300</td> <td style="text-align: right;">4</td> <td style="text-align: right;">0</td> <td style="text-align: right;">0</td> </tr> <tr> <td>Above 300 tons</td> <td style="text-align: right;">5</td> <td style="text-align: right;">0</td> <td style="text-align: right;">0</td> </tr> </table>	Ships not exceeding 50 tons	1	10	0	Exceeding 50 tons and not exceeding 100 tons	2	0	0	" 100 150	2	10	0	" 150 200	3	0	0	" 200 300	4	0	0	Above 300 tons	5	0	0										
Ships not exceeding 50 tons	1	10	0																															
Exceeding 50 tons and not exceeding 100 tons	2	0	0																															
" 100 150	2	10	0																															
" 150 200	3	0	0																															
" 200 300	4	0	0																															
Above 300 tons	5	0	0																															
FEEES FOR CERTIFICATES OF SERVICE.																																		
<table border="0" style="width: 100%;"> <tr> <td style="width: 80%;">For a master of a foreign-going ship</td> <td style="text-align: right; width: 5%;">2</td> <td style="text-align: right; width: 5%;">0</td> <td style="text-align: right; width: 5%;">0</td> </tr> <tr> <td> " of a coast-trade ship</td> <td style="text-align: right;">1</td> <td style="text-align: right;">0</td> <td style="text-align: right;">0</td> </tr> <tr> <td> " of a harbor and river steamer</td> <td style="text-align: right;">1</td> <td style="text-align: right;">0</td> <td style="text-align: right;">0</td> </tr> <tr> <td>For a mate of a foreign-going ship</td> <td style="text-align: right;">1</td> <td style="text-align: right;">0</td> <td style="text-align: right;">0</td> </tr> <tr> <td> " of a coast-trade ship</td> <td style="text-align: right;">0</td> <td style="text-align: right;">10</td> <td style="text-align: right;">0</td> </tr> <tr> <td>For a first-class engineer's certificate</td> <td style="text-align: right;">1</td> <td style="text-align: right;">10</td> <td style="text-align: right;">0</td> </tr> <tr> <td>For a second-class engineer's certificate</td> <td style="text-align: right;">1</td> <td style="text-align: right;">0</td> <td style="text-align: right;">0</td> </tr> </table>	For a master of a foreign-going ship	2	0	0	" of a coast-trade ship	1	0	0	" of a harbor and river steamer	1	0	0	For a mate of a foreign-going ship	1	0	0	" of a coast-trade ship	0	10	0	For a first-class engineer's certificate	1	10	0	For a second-class engineer's certificate	1	0	0						
For a master of a foreign-going ship	2	0	0																															
" of a coast-trade ship	1	0	0																															
" of a harbor and river steamer	1	0	0																															
For a mate of a foreign-going ship	1	0	0																															
" of a coast-trade ship	0	10	0																															
For a first-class engineer's certificate	1	10	0																															
For a second-class engineer's certificate	1	0	0																															
FEEES FOR CERTIFICATES OF COMPETENCY.																																		
<table border="0" style="width: 100%;"> <tr> <td style="width: 80%;">For a master of a foreign-going ship</td> <td style="text-align: right; width: 5%;">2</td> <td style="text-align: right; width: 5%;">10</td> <td style="text-align: right; width: 5%;">0</td> </tr> <tr> <td> " of a coast-trade ship</td> <td style="text-align: right;">1</td> <td style="text-align: right;">10</td> <td style="text-align: right;">0</td> </tr> <tr> <td> " of a harbor and river steamer</td> <td style="text-align: right;">1</td> <td style="text-align: right;">10</td> <td style="text-align: right;">0</td> </tr> <tr> <td>For a first mate of a foreign-going ship</td> <td style="text-align: right;">1</td> <td style="text-align: right;">10</td> <td style="text-align: right;">0</td> </tr> <tr> <td>For a second mate of a foreign-going ship, or mate of a coast trade ship</td> <td style="text-align: right;">1</td> <td style="text-align: right;">0</td> <td style="text-align: right;">0</td> </tr> <tr> <td>For a first-class engineer's certificate</td> <td style="text-align: right;">2</td> <td style="text-align: right;">0</td> <td style="text-align: right;">0</td> </tr> <tr> <td>For a second class</td> <td style="text-align: right;">1</td> <td style="text-align: right;">10</td> <td style="text-align: right;">0</td> </tr> <tr> <td>For a third class</td> <td style="text-align: right;">1</td> <td style="text-align: right;">0</td> <td style="text-align: right;">0</td> </tr> </table>	For a master of a foreign-going ship	2	10	0	" of a coast-trade ship	1	10	0	" of a harbor and river steamer	1	10	0	For a first mate of a foreign-going ship	1	10	0	For a second mate of a foreign-going ship, or mate of a coast trade ship	1	0	0	For a first-class engineer's certificate	2	0	0	For a second class	1	10	0	For a third class	1	0	0		
For a master of a foreign-going ship	2	10	0																															
" of a coast-trade ship	1	10	0																															
" of a harbor and river steamer	1	10	0																															
For a first mate of a foreign-going ship	1	10	0																															
For a second mate of a foreign-going ship, or mate of a coast trade ship	1	0	0																															
For a first-class engineer's certificate	2	0	0																															
For a second class	1	10	0																															
For a third class	1	0	0																															
	<p>Proclamation .. 6 Feb., 1819.</p> <p>Act of Council } 3 Wm. IV. } 31 Aug., 1832. No. 6 } 16 Vict., No. 46 .. } 28 Dec., 1852. 22 Vict., No. 4 .. } 21 July, 1858.</p>																																	

Act of Council under which levied.	SPECIFICATION OF TAXES, DUTIES, &c.— <i>continued.</i>	Authority under which originally established.	At what Period.																																																																																																							
Act of the Parliament of New South Wales, 35 Vict., No. 7	<p style="text-align: center;">MARINE BOARD—<i>continued.</i></p> <p style="text-align: center;">FEES FOR STEAM CERTIFICATES.</p> <p>Owners of steam-ships requiring certificates, as follows:—</p> <table border="1" style="width: 100%; border-collapse: collapse;"> <thead> <tr> <th></th> <th style="text-align: right;">£</th> <th style="text-align: right;">s.</th> <th style="text-align: right;">d.</th> </tr> </thead> <tbody> <tr> <td>Where the tonnage does not exceed 50 tons</td> <td style="text-align: right;">1</td> <td style="text-align: right;">0</td> <td style="text-align: right;">0</td> </tr> <tr> <td>Exceeding 50 tons and not exceeding 100 tons</td> <td style="text-align: right;">2</td> <td style="text-align: right;">0</td> <td style="text-align: right;">0</td> </tr> <tr> <td> " 100 300</td> <td style="text-align: right;">3</td> <td style="text-align: right;">0</td> <td style="text-align: right;">0</td> </tr> <tr> <td>Above 300 tons</td> <td style="text-align: right;">4</td> <td style="text-align: right;">0</td> <td style="text-align: right;">0</td> </tr> </tbody> </table> <p>FEES for swinging of ships for the purpose of ascertaining and adjusting any deviation in their compasses:—</p> <table border="1" style="width: 100%; border-collapse: collapse;"> <thead> <tr> <th></th> <th style="text-align: right;">£</th> <th style="text-align: right;">s.</th> <th style="text-align: right;">d.</th> </tr> </thead> <tbody> <tr> <td>For vessels under 500 tons register</td> <td style="text-align: right;">2</td> <td style="text-align: right;">0</td> <td style="text-align: right;">0</td> </tr> <tr> <td>For vessels over 500 tons and under 750 tons register... ..</td> <td style="text-align: right;">2</td> <td style="text-align: right;">10</td> <td style="text-align: right;">0</td> </tr> <tr> <td>For vessels over 750 tons register</td> <td style="text-align: right;">3</td> <td style="text-align: right;">0</td> <td style="text-align: right;">0</td> </tr> </tbody> </table>		£	s.	d.	Where the tonnage does not exceed 50 tons	1	0	0	Exceeding 50 tons and not exceeding 100 tons	2	0	0	" 100 300	3	0	0	Above 300 tons	4	0	0		£	s.	d.	For vessels under 500 tons register	2	0	0	For vessels over 500 tons and under 750 tons register... ..	2	10	0	For vessels over 750 tons register	3	0	0	<p>Proclamation .. 6 Feb., 1819.</p> <p>Act of Council, 3 Wm. IV. No. 6 .. 31 Aug., 1832.</p> <p>16 Vict., No. 46.. 28 Dec., 1852.</p> <p>22 Vict., No. 4 .. 21 July, 1858.</p>																																																																				
		£	s.	d.																																																																																																						
	Where the tonnage does not exceed 50 tons	1	0	0																																																																																																						
	Exceeding 50 tons and not exceeding 100 tons	2	0	0																																																																																																						
	" 100 300	3	0	0																																																																																																						
	Above 300 tons	4	0	0																																																																																																						
		£	s.	d.																																																																																																						
	For vessels under 500 tons register	2	0	0																																																																																																						
	For vessels over 500 tons and under 750 tons register... ..	2	10	0																																																																																																						
	For vessels over 750 tons register	3	0	0																																																																																																						
SHIPPING MASTERS, SYDNEY AND NEWCASTLE.																																																																																																										
<table border="1" style="width: 100%; border-collapse: collapse;"> <thead> <tr> <th rowspan="2"></th> <th colspan="3" style="text-align: center;">Engagement of Crews.</th> <th colspan="3" style="text-align: center;">Discharge of Crews.</th> </tr> <tr> <th style="text-align: right;">£</th> <th style="text-align: right;">s.</th> <th style="text-align: right;">d.</th> <th style="text-align: right;">£</th> <th style="text-align: right;">s.</th> <th style="text-align: right;">d.</th> </tr> </thead> <tbody> <tr> <td>Vessels under 30 tons</td> <td style="text-align: right;">0</td> <td style="text-align: right;">2</td> <td style="text-align: right;">0</td> <td style="text-align: right;">.....</td> <td></td> <td></td> </tr> <tr> <td> 30 to 60</td> <td style="text-align: right;">0</td> <td style="text-align: right;">4</td> <td style="text-align: right;">0</td> <td style="text-align: right;">0</td> <td style="text-align: right;">4</td> <td style="text-align: right;">0</td> </tr> <tr> <td> 60 to 100</td> <td style="text-align: right;">0</td> <td style="text-align: right;">7</td> <td style="text-align: right;">0</td> <td style="text-align: right;">0</td> <td style="text-align: right;">7</td> <td style="text-align: right;">0</td> </tr> <tr> <td> 100 to 200</td> <td style="text-align: right;">0</td> <td style="text-align: right;">15</td> <td style="text-align: right;">0</td> <td style="text-align: right;">0</td> <td style="text-align: right;">15</td> <td style="text-align: right;">0</td> </tr> <tr> <td> 200 to 300</td> <td style="text-align: right;">1</td> <td style="text-align: right;">0</td> <td style="text-align: right;">0</td> <td style="text-align: right;">1</td> <td style="text-align: right;">0</td> <td style="text-align: right;">0</td> </tr> <tr> <td> 300 to 400</td> <td style="text-align: right;">1</td> <td style="text-align: right;">5</td> <td style="text-align: right;">0</td> <td style="text-align: right;">1</td> <td style="text-align: right;">5</td> <td style="text-align: right;">0</td> </tr> <tr> <td> 400 to 500</td> <td style="text-align: right;">1</td> <td style="text-align: right;">10</td> <td style="text-align: right;">0</td> <td style="text-align: right;">1</td> <td style="text-align: right;">10</td> <td style="text-align: right;">0</td> </tr> <tr> <td> 500 to 600</td> <td style="text-align: right;">1</td> <td style="text-align: right;">15</td> <td style="text-align: right;">0</td> <td style="text-align: right;">1</td> <td style="text-align: right;">15</td> <td style="text-align: right;">0</td> </tr> <tr> <td> 600 to 700</td> <td style="text-align: right;">2</td> <td style="text-align: right;">0</td> <td style="text-align: right;">0</td> <td style="text-align: right;">2</td> <td style="text-align: right;">0</td> <td style="text-align: right;">0</td> </tr> <tr> <td> 700 to 800</td> <td style="text-align: right;">2</td> <td style="text-align: right;">5</td> <td style="text-align: right;">0</td> <td style="text-align: right;">2</td> <td style="text-align: right;">5</td> <td style="text-align: right;">0</td> </tr> <tr> <td> 800 to 900</td> <td style="text-align: right;">2</td> <td style="text-align: right;">10</td> <td style="text-align: right;">0</td> <td style="text-align: right;">2</td> <td style="text-align: right;">10</td> <td style="text-align: right;">0</td> </tr> <tr> <td> 900 to 1,000</td> <td style="text-align: right;">2</td> <td style="text-align: right;">15</td> <td style="text-align: right;">0</td> <td style="text-align: right;">2</td> <td style="text-align: right;">15</td> <td style="text-align: right;">0</td> </tr> <tr> <td> Every 100 tons above 1,000</td> <td style="text-align: right;">0</td> <td style="text-align: right;">5</td> <td style="text-align: right;">0</td> <td style="text-align: right;">0</td> <td style="text-align: right;">5</td> <td style="text-align: right;">0</td> </tr> </tbody> </table>				Engagement of Crews.			Discharge of Crews.			£	s.	d.	£	s.	d.	Vessels under 30 tons	0	2	0			30 to 60	0	4	0	0	4	0	60 to 100	0	7	0	0	7	0	100 to 200	0	15	0	0	15	0	200 to 300	1	0	0	1	0	0	300 to 400	1	5	0	1	5	0	400 to 500	1	10	0	1	10	0	500 to 600	1	15	0	1	15	0	600 to 700	2	0	0	2	0	0	700 to 800	2	5	0	2	5	0	800 to 900	2	10	0	2	10	0	900 to 1,000	2	15	0	2	15	0	Every 100 tons above 1,000	0	5	0	0	5	0
				Engagement of Crews.			Discharge of Crews.																																																																																																			
			£	s.	d.	£	s.	d.																																																																																																		
Vessels under 30 tons			0	2	0																																																																																																				
30 to 60			0	4	0	0	4	0																																																																																																		
60 to 100			0	7	0	0	7	0																																																																																																		
100 to 200			0	15	0	0	15	0																																																																																																		
200 to 300			1	0	0	1	0	0																																																																																																		
300 to 400			1	5	0	1	5	0																																																																																																		
400 to 500	1	10	0	1	10	0																																																																																																				
500 to 600	1	15	0	1	15	0																																																																																																				
600 to 700	2	0	0	2	0	0																																																																																																				
700 to 800	2	5	0	2	5	0																																																																																																				
800 to 900	2	10	0	2	10	0																																																																																																				
900 to 1,000	2	15	0	2	15	0																																																																																																				
Every 100 tons above 1,000	0	5	0	0	5	0																																																																																																				
27 Vict., No. 13 (22 April, 1864)	<p>Engagement of seamen, separately each .. 0 2 0</p> <p>Discharge of ditto 0 2 0</p> <p>Foreign-going ships' articles 0 2 0</p> <p>Colonial ditto 0 1 0</p> <p>Advance notes 0 0 3</p> <p>Inward lists 0 0 3</p> <p>Outward lists 0 0 3</p> <p>Accounts of wages 0 0 3</p> <p>Allotment of notes 0 0 3</p> <p>Certificates of discharge 0 0 3</p> <p>Mutual release 0 0 3</p> <p>Account of changes in crew 0 1 0</p> <p>License to ship 0 0 3</p> <p>Submission to arbitration 0 0 3</p> <p>Award by Shipping Master 0 0 3</p> <p>Advance note advices 0 0 3</p> <p>Official Log Books 0 3 6</p> <p>Reports of character 0 0 3</p>	17 Vict., No. 36.	1 Jan., 1854.																																																																																																							
	FITZ ROY DRY DOCK, COCKATOO ISLAND.																																																																																																									
	<p style="text-align: center;"><i>Conditions.</i></p> <p>All vessels belonging to H. M. Navy, the Colonial Government, and men-of-war of other nations, will be admitted to repair in the Fitz Roy Dock, Sydney Harbour, free of any dock dues or rates, but they will be required to repay all actual expenditure of stores, wages, and material.</p> <p>All other vessels will be liable to a minimum dock-rate of 6d. per ton per diem, if of 1,500 tons register or upwards, and an additional $\frac{1}{4}$th of a penny per ton for every decrease of 50 tons or portion of 50 tons down to a maximum rate of 9d. per ton for a vessel of 300 tons, and all below, as set forth in the scale attached hereto.</p> <p>Double rates will be charged for the day of docking.</p> <p>The Dock dues will include and cover the cost of pumping, shoring, wedges, and blocking, and the cost of all labour connected with opening and closing the Dock, and all incidental labour connected with the actual operation of docking a vessel.</p> <p>No vessel will be permitted to enter the Dock with gunpowder or combustible ammunition on board.</p>																																																																																																									
	Governor and Executive Council ..					<p style="text-align: center;"><i>Workshops and Machinery.</i></p> <p>Vessels in Dock and private engineering establishments will be permitted to avail themselves of any portion of the machinery of the Dockyard workshops on payment of a rate per hour; preference being always given to the requirements of a vessel in Dock. These charges will be in addition to Dock dues, and in accordance with the rates mentioned in the subjoined Schedule.</p> <p>The rate for the machinery will include the cost of putting and maintaining the machine in motion, the use of the 20-ton overhead traversing crane, and all tools belonging to the Machine in use, but nothing further.</p>	Governor and Executive Council ..	30 Aug., 1861.																																																																																																		

Act of Council under which levied.	SPECIFICATION OF TAXES, DUTIES, &c.— <i>continued.</i>	Authority under which originally established.	At what Period.
POSTAGE RATES—<i>continued.</i>			
BOOK-PACKETS, PATTERNS, AND SAMPLES OF MERCHANDISE.			
<i>Town and Country.</i>			
		s. d.	
	Not exceeding 2 ounces	0 1	
	Every additional 2 ounces	0 1	
<i>Intercolonial, viz. :—</i>			
	Victoria		
	South Australia		
	Tasmania		
	Western Australia		
	New Zealand		
	Queensland		
	Fiji		
	British Colonies not mentioned above, the United Kingdom, and Foreign Countries to which books, packets, patterns, and samples of merchandise can be sent		
	Not exceeding 1 ounce	0 1	
	" 2 "	0 2	
	" 4 "	0 4	
	Every additional 4 "	0 4	
31 Vic. No. 4 ..			Govt. Order .. 23 June, 1810.
			Proclamation under Act of Council, 6 Geo. IV, No. 23 .. 6 Dec., 1825.
	<i>Reports published by Religious and Charitable or Scientific Institutions existing in the Colony, for delivery within the Colony.</i>		
	Not exceeding 4 ounces	0 1	Acts of Council,—
	Every additional 2 ounces or fraction of 2 ounces	0 1	5 Wm. IV, No. 24 .. 23 June, 1835.
			2 Vict., No. 17 .. 25 Sept., 1838.
			5 Vict., No. 15 .. 14 Dec., 1841.
			11 Vict., No. 47 .. 15 June, 1848.
			13 Vict., No. 38 .. 1 Jan., 1850.
			15 Vict., No. 12 .. 22 Dec., 1851.
			16 Vict., No. 35 .. 27 Dec., 1852.
			18 Vict., No. 17 .. 30 Sept., 1854.
			20 Vict., No. 26 .. 11 Mar., 1857.
			27 Vict., No. 7 .. 1 April, 1864.
			31 Vict., No. 4 .. 9 Oct., 1867.
			37 Vict., No. 1 .. 1 Jan., 1874.
NEWSPAPERS.			
	Newspapers printed and posted within the Colony for transmission within New South Wales or the Australasian Colonies are transmitted free of charge, except in the case of Newspapers posted at any Post Office or Receiver in Sydney, for delivery within the boundaries of the City, and Newspapers posted after seven days from the date of publication, which are subject to a charge of one penny each	0 1	
37 Vic., No. 1	Newspapers for the United Kingdom, Foreign Countries, and British Colonies other than the Australasian Colonies	0 1	
FEEES.			
	Private Boxes, per annum each	21 0	
	Fee on Registered Letters	0 4	
	" Late	0 3	
37 Vic., No. 4			
MONEY ORDERS.			
COMMISSION FOR ISSUING MONEY ORDERS.			
<i>In the Colony.</i>			
		s. d.	
1 Jan., 1863	For sums not exceeding £5	0 6	1 Jan., 1863.
	For sums exceeding £5, and not exceeding £10	1 0	
<i>Intercolonial.</i>			
		s. d.	
8 Apl., 1863	For sums not exceeding £5	1 0	Governor and Executive Council (under Act 31 Vict., No. 4) .. 8 April, 1863.
	For sums exceeding £5, and not exceeding £10	2 0	
<i>United Kingdom.</i>			
		s. d.	
1 June 1863	For sums not exceeding £2	1 0	1 June, 1863
	For sums exceeding £2, and not exceeding £5	2 0	
	For sums exceeding £5, and not exceeding £7	3 0	
	For sums exceeding £7, and not exceeding £10	4 0	

Act of Council under which levied.	SPECIFICATION OF TAXES, DUTIES, &c.— <i>continued.</i>	Authority under which originally established.	At what Period.
ELECTRIC TELEGRAPH.			
NEW SOUTH WALES.			
		Ten words.	Each additional word.
		s. d.	s. d.
The Governor and Executive Council, 1 Nov., 1873, under Act 20 Vict., No. 41	Between all Stations in New South Wales, excepting Suburban Offices	1 0	0 1
	Between Sydney and Suburban Offices	0 6	0 1
	Press Rates:—		
	Between all Stations in New South Wales, half the above rates.		
	Between all Stations in New South Wales, Victoria, Queensland, and South Australia	1 0	0 1
	Intercolonial Rates:—		
	From all Stations in New South Wales to—		
	Victoria	2 0	0 2
	South Australia (excepting Overland Line Stations)	2 0	0 2
	Queensland	2 0	0 2
	Tasmania—		
	Between all Stations in New South Wales and Tasmania	7 0
	Each additional word—		
	Per Land Lines	0 3
	Per Cable, five words or any portion of five words	2 0
SOUTH AUSTRALIAN OVERLAND LINE.			
From all Stations in New South Wales to—			
Strangways Springs	4 0	0 4	
Peake	4 0	0 4	
Charlotte Waters	6 0	0 6	
Alice Springs	7 0	0 7	
Barrow's Creek	8 0	0 8	
Tennant's Creek	9 0	0 9	
Powell's Creek	10 0	0 10	
Daly Waters	11 0	0 11	
Katherine	12 0	0 11	
Port Darwin	12 0	0 11	
Pine Creek	12 0	0 11	
Yam Creek	12 0	0 11	
Southport	12 0	0 11	
WESTERN AUSTRALIA.			
Between all Stations in New South Wales and Western Australia	3 0	0 3	
NEW ZEALAND.			
From Sydney	9 0	0 10½	
„ any other Station in New South Wales	9 6	0 11	
Act 20 Vict., No. 41			Act 20 Vict., No. 41. Govt. Order .. } 18 Dec., 1865.
BRITISH AND FOREIGN BUSINESS.			
		Price per word.	
		s. d.	
From any Station in New South Wales to places situated in the following Countries:—			
Aden		10 3	
Algeria and Tunis		10 8	
China—Hong Kong		8 4	
„ Amoy		10 0	
„ Shanghai		10 0	
„ Cochin China		7 1	
Egypt		11 6	
Europe		10 8	
India—West of Chittagong		8 0	
„ East		8 3	
„ Ceylon		8 3	
Japan—Nagasaki		11 8	
Java		4 5	
Penang		5 10	
Persia, <i>via</i> Persian Gulf		10 1	
Russia in Asia		11 8	
Singapore		5 10	
Turkey in Asia—Seaports		9 5	
„ Inland		9 8	
„ Archipelago		9 11	
Europe, <i>via</i> Hong Kong and Amoor		16 8	

Act of Council under which levied.	SPECIFICATION OF TAXES, DUTIES, &c.— <i>continued.</i>	Authority under which originally established.	At what Period.
	ELECTRIC TELEGRAPH—<i>continued.</i>		
	THE UNITED STATES OF AMERICA.		
		Price per word.	
	To places situated in the following States :—	s. d.	
	Alabama	14 4	
	Arizona	14 6	
	Arkansas	14 6	
	California	14 6	
	Canada, East and West	13 8	
	Cape Breton	13 8	
	Colorado Territory	14 6	
	Columbia, District of	13 10	
	Columbia, British	14 2	
	Connecticut	13 8	
	Dakota Territory	14 6	
	Delaware	13 10	
	Florida—Lake City	14 4	
	" Pensacola	14 6	
	" St. Mark's	14 4	
	" Talahassee	14 4	
	" All other places	14 2	
	Georgia	14 4	
	Idaho Territory	14 6	
	Illinois	14 4	
	Indiana	14 4	
	Indian Territory	14 6	
	Iowa	14 6	
	Kansas Territory	14 6	
	Kentucky	14 4	
	Louisiana	14 4	
	Maine	15 8	
	Manitoba Territory	14 6	
	Maryland	13 10	
	Massachusetts	13 8	
	Michigan	14 4	
	Minnesota	14 6	
	Mississippi	14 4	
	Missouri—St. Louis	14 4	
	" All other places	14 6	
	Montana Territory	14 6	
	Nebraska Territory	14 6	
	Nevada Territory	14 6	
	New Brunswick	13 8	
	Newfoundland	13 8	
	New Hampshire	13 8	
	New Jersey	13 10	
	New Mexico	14 6	
	New York—New York	13 8	
	" All other places	13 10	
	North Carolina	14 4	
	Nova Scotia	13 8	
	Ohio	14 4	
	Oregon	14 6	
	Pennsylvania	13 10	
	Prince Edward's Island	13 8	
	Rhode Island	13 8	
	St. Pierre, Miquelon	13 8	
	South Carolina	14 4	
	Tennessee	14 4	
	Texas	14 6	
	Utah Territory	14 6	
	Vancouver's Island	14 2	
	Vermont	13 8	
	Virginia	14 4	
	Washington Territory	14 6	
	Winconsin	14 4	
	Wyoming	14 6	
Act 20 Vict., No. 41		20 Vict., No. 41. Govt. Order.	18 Dec., 1865.

Act of Council under which levied.	SPECIFICATION OF TAXES, DUTIES, &c.— <i>continued.</i>	Authority under which originally established.	At what Period.																																																																											
	<p>ELECTRIC TELEGRAPH—<i>continued.</i></p> <p>THE UNITED STATES OF AMERICA—<i>continued.</i></p> <p>The Telegraph Companies to the Island of Cuba and the West Indies have not yet adopted the word system of charging. The charge therefore will be the rate to New York, plus the following:—</p> <table border="1" style="margin-left: auto; margin-right: auto;"> <thead> <tr> <th></th> <th style="text-align: center;">Ten words or less.</th> <th style="text-align: center;">Each additional word.</th> </tr> <tr> <th></th> <th style="text-align: center;">£ s. d.</th> <th style="text-align: center;">s. d.</th> </tr> </thead> <tbody> <tr> <td>From New York to places situated in West India Islands, &c.—</td> <td></td> <td></td> </tr> <tr> <td>Antigua</td> <td style="text-align: center;">2 14 8</td> <td style="text-align: center;">5 2</td> </tr> <tr> <td>Barbadoes</td> <td style="text-align: center;">3 3 6</td> <td style="text-align: center;">6 2</td> </tr> <tr> <td>Berbice</td> <td style="text-align: center;">3 13 3</td> <td style="text-align: center;">7 1</td> </tr> <tr> <td>Colon (Aspinall) Isthmus of Panama</td> <td style="text-align: center;">2 13 9</td> <td style="text-align: center;">5 0</td> </tr> <tr> <td>Cuba—</td> <td></td> <td></td> </tr> <tr> <td> Cienfuegos</td> <td style="text-align: center;">1 5 0</td> <td style="text-align: center;">2 1</td> </tr> <tr> <td> Santiago</td> <td style="text-align: center;">1 11 0</td> <td style="text-align: center;">2 6</td> </tr> <tr> <td> All other places</td> <td style="text-align: center;">1 2 6</td> <td style="text-align: center;">2 0</td> </tr> <tr> <td>Demerara</td> <td style="text-align: center;">3 12 3</td> <td style="text-align: center;">7 1</td> </tr> <tr> <td>Dominica</td> <td style="text-align: center;">2 17 9</td> <td style="text-align: center;">5 6</td> </tr> <tr> <td>Grenada</td> <td style="text-align: center;">3 3 0</td> <td style="text-align: center;">6 0</td> </tr> <tr> <td>Guadaloupe</td> <td style="text-align: center;">2 16 3</td> <td style="text-align: center;">5 4</td> </tr> <tr> <td>Jamaica</td> <td style="text-align: center;">1 12 0</td> <td style="text-align: center;">3 0</td> </tr> <tr> <td>Martinique</td> <td style="text-align: center;">2 18 9</td> <td style="text-align: center;">5 8</td> </tr> <tr> <td>Panama—Isthmus of</td> <td style="text-align: center;">3 2 0</td> <td style="text-align: center;">5 11</td> </tr> <tr> <td>Porto Rico</td> <td style="text-align: center;">2 8 6</td> <td style="text-align: center;">4 7</td> </tr> <tr> <td>St. Croix</td> <td style="text-align: center;">2 11 10</td> <td style="text-align: center;">4 10</td> </tr> <tr> <td>St. Kitt's</td> <td style="text-align: center;">2 13 9</td> <td style="text-align: center;">5 0</td> </tr> <tr> <td>St. Lucia</td> <td style="text-align: center;">2 19 10</td> <td style="text-align: center;">5 9</td> </tr> <tr> <td>St. Thomas</td> <td style="text-align: center;">2 10 0</td> <td style="text-align: center;">4 9</td> </tr> <tr> <td>St. Vincent</td> <td style="text-align: center;">3 0 10</td> <td style="text-align: center;">5 10</td> </tr> <tr> <td>Trinidad</td> <td style="text-align: center;">3 5 0</td> <td style="text-align: center;">6 3</td> </tr> </tbody> </table>		Ten words or less.	Each additional word.		£ s. d.	s. d.	From New York to places situated in West India Islands, &c.—			Antigua	2 14 8	5 2	Barbadoes	3 3 6	6 2	Berbice	3 13 3	7 1	Colon (Aspinall) Isthmus of Panama	2 13 9	5 0	Cuba—			Cienfuegos	1 5 0	2 1	Santiago	1 11 0	2 6	All other places	1 2 6	2 0	Demerara	3 12 3	7 1	Dominica	2 17 9	5 6	Grenada	3 3 0	6 0	Guadaloupe	2 16 3	5 4	Jamaica	1 12 0	3 0	Martinique	2 18 9	5 8	Panama—Isthmus of	3 2 0	5 11	Porto Rico	2 8 6	4 7	St. Croix	2 11 10	4 10	St. Kitt's	2 13 9	5 0	St. Lucia	2 19 10	5 9	St. Thomas	2 10 0	4 9	St. Vincent	3 0 10	5 10	Trinidad	3 5 0	6 3		
	Ten words or less.	Each additional word.																																																																												
	£ s. d.	s. d.																																																																												
From New York to places situated in West India Islands, &c.—																																																																														
Antigua	2 14 8	5 2																																																																												
Barbadoes	3 3 6	6 2																																																																												
Berbice	3 13 3	7 1																																																																												
Colon (Aspinall) Isthmus of Panama	2 13 9	5 0																																																																												
Cuba—																																																																														
Cienfuegos	1 5 0	2 1																																																																												
Santiago	1 11 0	2 6																																																																												
All other places	1 2 6	2 0																																																																												
Demerara	3 12 3	7 1																																																																												
Dominica	2 17 9	5 6																																																																												
Grenada	3 3 0	6 0																																																																												
Guadaloupe	2 16 3	5 4																																																																												
Jamaica	1 12 0	3 0																																																																												
Martinique	2 18 9	5 8																																																																												
Panama—Isthmus of	3 2 0	5 11																																																																												
Porto Rico	2 8 6	4 7																																																																												
St. Croix	2 11 10	4 10																																																																												
St. Kitt's	2 13 9	5 0																																																																												
St. Lucia	2 19 10	5 9																																																																												
St. Thomas	2 10 0	4 9																																																																												
St. Vincent	3 0 10	5 10																																																																												
Trinidad	3 5 0	6 3																																																																												
20 Vict., No. 41	<p>SOUTH AFRICA.</p> <p>The charges are for each separate word in addition to the present word-rate to Europe:—</p> <table border="1" style="margin-left: auto; margin-right: auto;"> <thead> <tr> <th></th> <th style="text-align: center;">£ s. d.</th> </tr> </thead> <tbody> <tr> <td>To Madeira</td> <td style="text-align: center;">0 1 0</td> </tr> <tr> <td>St. Vincent</td> <td style="text-align: center;">0 3 5</td> </tr> <tr> <td>Brazil—</td> <td></td> </tr> <tr> <td> Perambuco</td> <td style="text-align: center;">0 8 5</td> </tr> <tr> <td> Para and Bahia</td> <td style="text-align: center;">0 11 8</td> </tr> <tr> <td> Rio de Janeiro</td> <td style="text-align: center;">0 13 0</td> </tr> <tr> <td> Santos Santa, Catherina, and Rio Grande do Sul ..</td> <td style="text-align: center;">0 15 1</td> </tr> <tr> <td> And all other stations</td> <td style="text-align: center;">0 15 6</td> </tr> <tr> <td>Uruguay—</td> <td></td> </tr> <tr> <td> Monte Video</td> <td style="text-align: center;">0 15 1</td> </tr> <tr> <td> All other stations</td> <td style="text-align: center;">0 15 6</td> </tr> <tr> <td>Argentine Republic—</td> <td></td> </tr> <tr> <td> Buenos Ayres</td> <td style="text-align: center;">0 15 9</td> </tr> <tr> <td> All other stations</td> <td style="text-align: center;">0 16 2</td> </tr> <tr> <td>Chili—Valparaiso and all stations in Chili</td> <td style="text-align: center;">1 1 0</td> </tr> </tbody> </table> <p style="text-align: center;">TELEGRAPH RATES IN JAPAN.</p> <p>The Japanese Government have not adopted the word system of charging. The rates will therefore be in addition to the word rate to Nagasaki:—</p> <table border="1" style="margin-left: auto; margin-right: auto;"> <tbody> <tr> <td>To Hakodadi, per 20 words</td> <td style="text-align: center;">0 17 0</td> </tr> <tr> <td>To all other stations, per 20 words</td> <td style="text-align: center;">0 9 0</td> </tr> <tr> <td>And half these rates for each extra ten or less than ten words.</td> <td></td> </tr> </tbody> </table> <p style="text-align: center;">POSTAGES.</p> <p>On and after 1st January, 1876, the postages on telegrams for places out of Europe has been fixed as follows:—</p> <table border="1" style="margin-left: auto; margin-right: auto;"> <tbody> <tr> <td>From Portugal and Gibraltar</td> <td style="text-align: center;">0 0 10</td> </tr> <tr> <td>From Madeira and St. Vincent and South America ..</td> <td style="text-align: center;">0 1 0</td> </tr> <tr> <td>From Great Britain</td> <td style="text-align: center;">0 1 3</td> </tr> <tr> <td>And from all other places, including China</td> <td style="text-align: center;">0 1 6</td> </tr> </tbody> </table>		£ s. d.	To Madeira	0 1 0	St. Vincent	0 3 5	Brazil—		Perambuco	0 8 5	Para and Bahia	0 11 8	Rio de Janeiro	0 13 0	Santos Santa, Catherina, and Rio Grande do Sul ..	0 15 1	And all other stations	0 15 6	Uruguay—		Monte Video	0 15 1	All other stations	0 15 6	Argentine Republic—		Buenos Ayres	0 15 9	All other stations	0 16 2	Chili—Valparaiso and all stations in Chili	1 1 0	To Hakodadi, per 20 words	0 17 0	To all other stations, per 20 words	0 9 0	And half these rates for each extra ten or less than ten words.		From Portugal and Gibraltar	0 0 10	From Madeira and St. Vincent and South America ..	0 1 0	From Great Britain	0 1 3	And from all other places, including China	0 1 6	20 Vict., No. 41. Govt. Order.	} 18 Dec., 1865.																													
	£ s. d.																																																																													
To Madeira	0 1 0																																																																													
St. Vincent	0 3 5																																																																													
Brazil—																																																																														
Perambuco	0 8 5																																																																													
Para and Bahia	0 11 8																																																																													
Rio de Janeiro	0 13 0																																																																													
Santos Santa, Catherina, and Rio Grande do Sul ..	0 15 1																																																																													
And all other stations	0 15 6																																																																													
Uruguay—																																																																														
Monte Video	0 15 1																																																																													
All other stations	0 15 6																																																																													
Argentine Republic—																																																																														
Buenos Ayres	0 15 9																																																																													
All other stations	0 16 2																																																																													
Chili—Valparaiso and all stations in Chili	1 1 0																																																																													
To Hakodadi, per 20 words	0 17 0																																																																													
To all other stations, per 20 words	0 9 0																																																																													
And half these rates for each extra ten or less than ten words.																																																																														
From Portugal and Gibraltar	0 0 10																																																																													
From Madeira and St. Vincent and South America ..	0 1 0																																																																													
From Great Britain	0 1 3																																																																													
And from all other places, including China	0 1 6																																																																													

Authority under which levied, or by which legalized.	SPECIFICATION OF FEES— <i>continued.</i>	Authority under which originally established.	At what Period.
REGISTRAR GENERAL'S OFFICE.			
MEMORIALS OF DEEDS AND OTHER INSTRUMENTS RELATING TO REAL PROPERTY.			
Acts of Council 7 Vic., No. 16 (20 Dec., 1843), 13 Vic., No. 45 (12 Oct., 1849), Act of the Par- liament of New South Wales 20 Vic., No. 27 ..	For receiving every will or certified copy or memorial of any deed for registration, including verifying the same and indorsement of receipt on original deed	£ s. d. 0 7 6	Proclamation .. 18 Jan., 1817. Acts of Council— 6 Geo. IV., No. 22 16 Nov., 1825. 5 Vict., No. 21.. 3 Jan., 1842. 7 Vict., No. 16.. 20 Dec., 1843.
	For every acknowledgment, before whomsoever made, and whether already made or to be thereafter made	0 10 0	
	*For the enrolment of every grant of land hereafter issued under the Great Seal of the Colony, where the quantity granted shall not exceed 50 acres	0 5 0	
	*For ditto, where the quantity shall be over 50 but under 300 acres	0 7 6	
	*For ditto, where the quantity shall exceed 300 acres	0 10 0	
	For every search of copy of any deed, or of any memorial of deed, or will of one property	0 2 6	
	For every search for any copy of any grant of land.. ..	0 2 6	
	For every examined copy of memorial, or of any deed not exceeding six folios	0 5 0	
	For every folio of 90 words, exceeding six folios	0 0 8	
	For every extract from any memorial, will, or other writing, per folio	0 0 8	
	For receiving and noting every will deposited for safe custody.. ..	0 5 0	
	For every search for will	0 1 0	
	*The fees for enrolment of grants of land are paid at the Lands Office, on the delivery of the grant, and are in addition to those payable for the preparation of the same.		
11 Vict., No. 38 (1 Oct., 1847)..	Certified copies of grants, at per folio of 72 words	0 1 3	11 Vict., No. 38.. 1 Oct., 1847.
CHARTERS OF INCORPORATION OR DEEDS OF SETTLEMENT OF BANKING OR OTHER PUBLIC COMPANIES.			
Act of Council 13 Vic., No. 45 (12 Oct., 1849)	For every examined copy of deed of public company or charter of incorporation, per folio	£ s. d. 0 0 8	(Acts of Council— 2 Vict.,... 17 Aug., 1838. 4 Vict., No. 13.. 23 Sept., 1840. 7 Vict., No. 16.. 20 Dec., 1843.
	For every search for copy of deed of settlement of public company or charter of incorporation	0 1 0	
CERTIFICATES OF BAPTISMS, MARRIAGES, AND BURIALS.			
	For every search for certificates of marriages, baptisms, and burials	£ s. d. 0 1 0	7 Vict., No. 16.. 20 Dec., 1843.
	For every copy of such certificate	0 1 0	
REGISTRATION OF MORTGAGES OF SHEEP, CATTLE, AND HORSES, AND OF AGREEMENTS FOR THE PURCHASE OF WOOL.			
Acts of Council 11 Vict., No. 4, 11 Vict., No. 58, and sections 2 and 3 of 14 Vic., No. 24, made permanent by 23 Vic., No. 9	For the registration of every agreement for the purchase of wool, or advances thereon	£ s. d. 0 2 6	*Act of Council } 7 Vict., No. 3. } 15 Sept., 1843. *This Act disallowed by Her Majesty.
	For the registration of every mortgage of sheep, cattle, and horses	0 2 6	
	For each affidavit.. ..	0 1 0	
	For every search	0 1 0	
REGISTRATION OF LIENS ON CROPS.			
Act of the Par- liament of New South Wales 26 Vic., No. 10. (Assented to, 9 Dec., 1862) ..	For every entry	£ s. d. 0 2 6	26 Vic., No. 10.. 9 Dec., 1862.
	For each affidavit	0 1 0	
	For every search	0 1 0	

Authority under which levied, or by which legalized.	SPECIFICATION OF FEES— <i>continued.</i>	Authority under which originally established.	At what Period.		
REGISTRAR GENERAL'S OFFICE—<i>continued.</i>					
BIRTHS, DEATHS, AND MARRIAGES.					
19 Vict., No. 34 (3 Dec., 1855).	Every search in index	£ s. d. 0 5 0 0 2 0 1 0 0	19 Vict., No. 34.. 1 Mar., 1856.		
	Every certified copy				
	Every marriage performed by Registrar				
REAL PROPERTY.					
FEES PAYABLE FOR THE PERFORMANCE OF THE SEVERAL ACTS, MATTERS, AND THINGS HEREIN SPECIFIED.					
For hearing application to bring land under the provisions of this Act, or to be registered in respect to an estate of freehold of a deceased proprietor, to be paid to the Land Titles Commissioners, over and above the cost of all advertisements herein prescribed to be in such case published.					
£ s. d.					
When the applicant is the original grantee, and the land has never been sold, mortgaged, encumbered, or made the subject of settlement					
0 5 0					
When the title is of any other description, and the value exceeds £500					
2 10 0					
Ditto ditto exceeds £400 and does not exceed £500					
2 0 0					
Ditto ditto exceeds £300 and does not exceed £400					
1 10 0					
Ditto ditto exceeds £200 and does not exceed £300					
1 0 0					
Ditto ditto when the value does not exceed £200					
0 10 0					
Contribution to Assurance Fund upon first bringing land under this Act, and upon the registration of an estate of freehold in possession, derived by settlement, will, or intestacy:—					
In the pound sterling					
0 0 0½					
Other Fees:—					
Act of the Parliament of New South Wales, 26 Vict., No. 9. (Assented to, 7 Nov., 1862) .. This Act to commence and take effect from and after 1 Jan., 1863	For every certificate of title		£ s. d.	26 Vict., No. 9 .. 7 Nov., 1862.	
	Registering memorandum of transfer, lease, mortgage, or encumbrance, or the transfer or discharge of a mortgage, or the transfer or surrender of a lease				
	Registering proprietor of any estate or interest derived by settlement or transmission				1 0 0
	For every power of attorney				0 10 0
	For every registration abstract				1 0 0
	For cancelling registration abstract				0 5 0
	For every revocation order				0 10 0
	Noting caveat				0 10 0
	Cancelling or withdrawing of caveat, and service of notice to caveator or caveatee				0 5 0
	Issuing order for foreclosure				1 0 0
	For every search				0 2 0
	For every general search				0 5 0
	For every map or plan deposited				0 5 0
	For every instrument declaratory of trusts, and for every will or other instrument deposited				0 10 0
	For registering recovery by proceeding in law or equity, or re-entry by lessee				0 10 0
	For registering vesting of lease in mortgagee, consequent on refusal of assignees to accept the same				0 10 0
	For entering notice of marriage or death				0 10 0
	For entering notice of writ, or order of Supreme Court				0 10 0
	Taking acknowledgment of married women				0 5 0
	Taking declaration in case of lost grant or other instrument, or where production of duplicate is dispensed with				0 10 0
	For the exhibition or return of any deposited instrument, or for exhibiting or returning deeds surrendered by applicant proprietor				0 5 0
	For certified copy, first five folios of seventy-two words				0 5 0
	For every folio, or part folio, after first five				0 0 8
	For every instrument drawn on parchment				0 2 6
	Taking affidavit, or statutory declaration				0 5 0
When any instrument purports to deal with land included in more than one grant or certificate, for each registration memorial after the first		0 2 0			
36 Vict., No. 7..	For any certificate of title which shall exceed in length six folios of seventy-two words each, a further sum of two shillings for each folio or part of a folio in excess of such six folios, and if there shall be more than one diagram in such certificate, a further sum of one shilling for every such diagram after the first diagram.				

Authority under which levied, or by which legalized.	SPECIFICATION OF FEES— <i>continued.</i>	Authority under which originally established.	At what Period.
REGISTRAR GENERAL'S OFFICE—<i>continued.</i>			
TRADE MARKS.			
Act of the Parliament of New South Wales, 28 Vict., No. 9 (26 May, 1865) ..	Registration of Trade Mark	£ s. d. 3 3 0	} 28 Vict., No. 9 .. 26 May, 1865.
	Inspection of Register.. .. .	0 0 6	
	Transfer of Certificate.. .. .	1 1 0	
 CHIEF INSPECTOR OF SHEEP. REGISTRATION OF BRANDS.			
For registering any brand, including the cost of advertising such brand in the <i>Gazette</i> for two consecutive issues, and for publishing the same in the Brand Directory of the Colony, as follows, namely:—			
CATTLE.			
The proprietor of 1 animal and not exceeding 20		0 5 0	} 30 Vict., No. 12.. 5 Oct., 1866.
" 20 " " 100		0 10 0	
" 100 " " 500		0 15 0	
" 500 " " 1,000		1 0 0	
" 1,000 " " 3,000		1 5 0	
" 3,000 " " 4,000		1 10 0	
" 4,000 " " 6,000		1 15 0	
" 6,000 and upwards		2 0 0	
HORSES.			
The proprietor of 1 animal and not exceeding 10		0 5 0	} 30 Vict., No. 12.. 5 Oct., 1866.
" 10 " " 20		0 10 0	
" 20 " " 50		0 15 0	
" 50 " " 100		1 0 0	
" 100 " " 200		1 5 0	
" 200 " " 400		1 10 0	
" 400 " " 600		1 15 0	
" 600 and upwards		2 0 0	
For every search in any Register of Brands		0 1 0	} 30 Vict., No. 12.. 5 Oct., 1866.
For the transfer of any brand, one-half of the above rates respectively, according to the scale mentioned,			
For any extract from the Brand Directory, <i>Gazette</i> , or Brand Register, for the first hundred words, or portion thereof		0 1 0	
For every additional one hundred words, or portion		0 0 6	
For notice of similarity of brand, or of distinguishing brand fixed upon by the Registrar, by post		0 1 0	
Act of the Parliament of New South Wales, 30 Victoria, No. 12 (5 Oct., 1866).. To come into operation on and after 1 January, 1867 ..			

Authority under which levied, or by which legalized.	SPECIFICATION OF FEES— <i>continued</i> .	Authority under which originally established.	At what Period.
SUPREME COURT.			
COMMON LAW AND GENERAL JURISDICTION.			
	FEES PAYABLE TO THE PROTHONOTARY.		
	£ s. d.		
	Administering oath of allegiance or office	0 10 6	
	On filing articles of clerkship	5 5 0	
	On filing assignments of articles	1 1 0	
	Affixing seal of Court to any commission or document ..	0 10 6	
	Every certificate under hand of a Judge	0 5 0	
	Ditto under hand of Prothonotary or Chief Clerk	0 2 6	
	Every oath administered, whether in Court or by a Commissioner or Judge	0 1 0	
	And for marking exhibits attached to any affidavit (each such exhibit an additional sum of)	0 0 6	
	On reference to the Prothonotary, Chief Clerk, or any Commissioner. For each attendance not exceeding two hours	1 1 0	
	For every additional hour	0 5 0	
	For his report or award thereon	1 1 0	
	The like where very special	2 2 0	
	Every examination of a witness or other person (including taking down and certifying the same):—The like fees. If required to attend at any other than his own office or residence (over and above his actual and necessary travelling expenses) an additional	0 10 6	
	Every recognizance, of whatever kind	0 5 0	
	For each name beyond the first	0 2 6	
	For every office search	0 1 0	
	The like (judgments), and additional fee for every term beyond the first	0 0 4	
	For every Judge's summons	0 1 0	
	If with stay of proceedings	0 2 6	
	Entering case in clerk's list	0 1 0	
	For Judge's order for special bailiff, or the issue of any writ of execution	0 1 0	
	Order to plead double, or for examination of witnesses ..	0 1 0	
	In other cases	0 2 6	
	Filing affidavits in Chambers	0 0 6	
	For rule of Court	0 5 0	
	Taxing costs, whether in actions or between attorney and client	0 5 0	
	If exceeding one hour	0 7 6	
	Where the bill exceeds thirty folios, for every thirty folios above the first thirty	0 5 0	
	Taxing interlocutory costs	0 2 6	
	Appointment to tax or compute in any matter	0 1 0	
	Filing declaration, demurrer, or pleading; affidavit not in Chambers, or bill of costs; return to any writ, or paper, or writing not specified	0 1 0	
	Filing notice of motion for new trial, nonsuit, or in arrest of judgment; or return to any special writ	0 2 6	
	Entering any case or matter in the Prothonotary's paper, including demurrers, rules nisi, new trial applications, special cases, appeals and applications, or motions, or any writ of certiorari, extent, habeas corpus, quo warranto, or mandamus	0 2 6	
	All office copies, per folio of 72 words (and for certifying any such copy, 1s.)	0 0 4	
	Writ of habeas corpus	0 5 0	
	Every other writ (not being in action)	0 10 0	
	Mesne process in an action (including the writ of scire facias)	0 5 0	
	Every subpoena	0 2 6	
	Any other writ issuing in an action	0 5 0	
	Entering appearance	0 3 6	
	On putting in special bail	0 5 0	
	Filing exception to bail	0 2 6	
	On justifying bail	0 5 0	
	Withdrawing any pleading	0 5 0	
	Entering cause for assessment on trial	0 10 0	
	Entering every verdict, or judgment of nonsuit	0 2 0	
	On præcipe for any judgment by default	0 5 0	
	Signing judgment after verdict	0 10 0	
	Ditto in other cases	0 5 0	
	Ditto on warrant of attorney	0 15 0	
	Ditto on old warrant of attorney	1 1 0	
	For recording and indorsing every cognovit or warrant of attorney	0 2 6	
	On money paid into Court, for every sum of 20s.	0 0 3	
	On every trial or assessment of damages, crier, courtkeeper, and tipstaves	0 7 6	
	Every witness sworn on any such trial or assessment (to crier)	0 0 6	
	Every exhibit, at trial or on assessment	0 1 0	
	Taking down evidence on trial, per folio of 72 words ..	0 1 0	
	Entry of any suggestion on the record	0 2 6	
By the Judges of the Supreme Court, in pursuance of the powers given them by the Act of Parliament 9 Geo. IV., cap. 83, sec. 16; and Act of the Colonial Legislature 4 Victoria, No. 22, sec. 23..		By Chief Justice Sir Francis Forbes, under the authority of the Act of Parliament 4 Geo. IV., c. 96. .. .	1824.
Act of Council, 10 Vic., No. 10 (Assented to, 30th Oct., 1846)	All Court fees in actions for sums not exceeding £30 are abolished.		

Authority under which levied, or by which legalized.	SPECIFICATION OF FEES— <i>continued.</i>	Authority under which originally established.	At what Period.																																																																																																																				
	<p>SUPREME COURT—<i>continued.</i></p> <p>ECCLESIASTICAL JURISDICTION.</p> <p>FEES PAYABLE TO THE CURATOR OF INTESTATE ESTATES.</p> <p>Intestacies ; where effects are collected by authority of the Court :</p> <table border="0"> <tr> <td>For every order to collect, where effects shall appear to be above £50</td> <td>£</td> <td>s.</td> <td>d.</td> </tr> <tr> <td>Where effects shall appear to be £50 or under</td> <td>0</td> <td>7</td> <td>6</td> </tr> <tr> <td>For every order to pay money, if £10 and under £20</td> <td>0</td> <td>5</td> <td>0</td> </tr> <tr> <td>If £20 and under £50</td> <td>0</td> <td>2</td> <td>6</td> </tr> <tr> <td>If £50 and under £100</td> <td>0</td> <td>5</td> <td>0</td> </tr> <tr> <td>And on every £100 above the first</td> <td>0</td> <td>10</td> <td>0</td> </tr> <tr> <td>For every common order</td> <td>0</td> <td>2</td> <td>6</td> </tr> <tr> <td>For every special order</td> <td>0</td> <td>2</td> <td>6</td> </tr> <tr> <td>For every office copy, 3d. per folio.</td> <td>0</td> <td>5</td> <td>0</td> </tr> <tr> <td>On every audit of accounts, including the direction to invest assets, if the amount which shall have been in the Curator's hands be under £20</td> <td>0</td> <td>5</td> <td>0</td> </tr> <tr> <td>If £20 and under £50</td> <td>0</td> <td>7</td> <td>6</td> </tr> <tr> <td>If £50 and under £100</td> <td>0</td> <td>10</td> <td>0</td> </tr> <tr> <td>For every £100 above the first</td> <td>0</td> <td>2</td> <td>6</td> </tr> <tr> <td>For every other order</td> <td>0</td> <td>2</td> <td>6</td> </tr> </table> <p>MEMORANDUM.—The whole of the preceding fees (which are inclusive of all fees and affidavits for filing of the petition and order, the taking of the bond and oath, and every other incidental matter) are paid in each instance on the order, whether in cases of probate, orders to collect, or letters of administration.</p> <p>On all moneys collected by the Curator of Intestate Estates, a commission at the rate of 5 per cent., which is paid into the Colonial Treasury.</p> <p>If collected by an agent, an allowance of 3 per cent. is made out of such commission, as a remuneration for his services.</p> <p style="text-align: center;">PAYABLE TO THE PROTHONOTARY.</p> <p style="text-align: center;"><i>Miscellaneous Matters.</i></p> <table border="0"> <tr> <td>Office copy of any will, per folio of 72 words</td> <td>0</td> <td>0</td> <td>8</td> </tr> <tr> <td>The like of pleadings in any ecclesiastical suit, or other matter, per folio</td> <td>0</td> <td>0</td> <td>6</td> </tr> <tr> <td>Every search</td> <td>0</td> <td>1</td> <td>0</td> </tr> <tr> <td>For every citation, or entering any caveat</td> <td>0</td> <td>5</td> <td>0</td> </tr> <tr> <td>Entering any appearance</td> <td>0</td> <td>2</td> <td>6</td> </tr> <tr> <td>Filing every libel, allegation, plea, or answer in any suit</td> <td>0</td> <td>5</td> <td>0</td> </tr> <tr> <td>On every exhibit annexed to or forming part of any libel, plea, or answer</td> <td>0</td> <td>1</td> <td>0</td> </tr> <tr> <td>For taking down every account of debt, and reporting upon the same</td> <td>0</td> <td>3</td> <td>0</td> </tr> <tr> <td>For setting down a cause for hearing</td> <td>0</td> <td>10</td> <td>0</td> </tr> <tr> <td>Every appointment to proceed before the Registrar in any reference to him</td> <td>0</td> <td>2</td> <td>0</td> </tr> <tr> <td>Registrar's attendance on every such appointment, per hour ; filing every petition or notice of appeal</td> <td>0</td> <td>5</td> <td>0</td> </tr> <tr> <td>On any order for a feigned issue</td> <td>0</td> <td>5</td> <td>0</td> </tr> <tr> <td>Exemplification of process in any ecclesiastical matter, per folio</td> <td>0</td> <td>0</td> <td>8</td> </tr> <tr> <td>Affixing seal of the Court to such exemplification</td> <td>0</td> <td>10</td> <td>6</td> </tr> <tr> <td>All matters not enumerated, the same fees to be paid as at common law.</td> <td></td> <td></td> <td></td> </tr> </table>	For every order to collect, where effects shall appear to be above £50	£	s.	d.	Where effects shall appear to be £50 or under	0	7	6	For every order to pay money, if £10 and under £20	0	5	0	If £20 and under £50	0	2	6	If £50 and under £100	0	5	0	And on every £100 above the first	0	10	0	For every common order	0	2	6	For every special order	0	2	6	For every office copy, 3d. per folio.	0	5	0	On every audit of accounts, including the direction to invest assets, if the amount which shall have been in the Curator's hands be under £20	0	5	0	If £20 and under £50	0	7	6	If £50 and under £100	0	10	0	For every £100 above the first	0	2	6	For every other order	0	2	6	Office copy of any will, per folio of 72 words	0	0	8	The like of pleadings in any ecclesiastical suit, or other matter, per folio	0	0	6	Every search	0	1	0	For every citation, or entering any caveat	0	5	0	Entering any appearance	0	2	6	Filing every libel, allegation, plea, or answer in any suit	0	5	0	On every exhibit annexed to or forming part of any libel, plea, or answer	0	1	0	For taking down every account of debt, and reporting upon the same	0	3	0	For setting down a cause for hearing	0	10	0	Every appointment to proceed before the Registrar in any reference to him	0	2	0	Registrar's attendance on every such appointment, per hour ; filing every petition or notice of appeal	0	5	0	On any order for a feigned issue	0	5	0	Exemplification of process in any ecclesiastical matter, per folio	0	0	8	Affixing seal of the Court to such exemplification	0	10	6	All matters not enumerated, the same fees to be paid as at common law.					
For every order to collect, where effects shall appear to be above £50	£	s.	d.																																																																																																																				
Where effects shall appear to be £50 or under	0	7	6																																																																																																																				
For every order to pay money, if £10 and under £20	0	5	0																																																																																																																				
If £20 and under £50	0	2	6																																																																																																																				
If £50 and under £100	0	5	0																																																																																																																				
And on every £100 above the first	0	10	0																																																																																																																				
For every common order	0	2	6																																																																																																																				
For every special order	0	2	6																																																																																																																				
For every office copy, 3d. per folio.	0	5	0																																																																																																																				
On every audit of accounts, including the direction to invest assets, if the amount which shall have been in the Curator's hands be under £20	0	5	0																																																																																																																				
If £20 and under £50	0	7	6																																																																																																																				
If £50 and under £100	0	10	0																																																																																																																				
For every £100 above the first	0	2	6																																																																																																																				
For every other order	0	2	6																																																																																																																				
Office copy of any will, per folio of 72 words	0	0	8																																																																																																																				
The like of pleadings in any ecclesiastical suit, or other matter, per folio	0	0	6																																																																																																																				
Every search	0	1	0																																																																																																																				
For every citation, or entering any caveat	0	5	0																																																																																																																				
Entering any appearance	0	2	6																																																																																																																				
Filing every libel, allegation, plea, or answer in any suit	0	5	0																																																																																																																				
On every exhibit annexed to or forming part of any libel, plea, or answer	0	1	0																																																																																																																				
For taking down every account of debt, and reporting upon the same	0	3	0																																																																																																																				
For setting down a cause for hearing	0	10	0																																																																																																																				
Every appointment to proceed before the Registrar in any reference to him	0	2	0																																																																																																																				
Registrar's attendance on every such appointment, per hour ; filing every petition or notice of appeal	0	5	0																																																																																																																				
On any order for a feigned issue	0	5	0																																																																																																																				
Exemplification of process in any ecclesiastical matter, per folio	0	0	8																																																																																																																				
Affixing seal of the Court to such exemplification	0	10	6																																																																																																																				
All matters not enumerated, the same fees to be paid as at common law.																																																																																																																							
Act of Council 11 Vict., No. 24																																																																																																																							
Act of Parliament 9 Geo. IV., cap. 83, and Act of the Colonial Legislature, 4 Vict., No. 22 ..		Act of Parliament 4 Geo. IV. cap. 96	1824.																																																																																																																				
	<p>EQUITABLE JURISDICTION.</p> <p>FEES PAYABLE TO THE MASTER.</p> <table border="0"> <tr> <td>Every appointment or warrant</td> <td>0</td> <td>3</td> <td>0</td> </tr> <tr> <td>Every search in any cause or matter pending</td> <td>0</td> <td>1</td> <td>0</td> </tr> <tr> <td>Search in other cases</td> <td>0</td> <td>2</td> <td>6</td> </tr> <tr> <td>Certifying any office copy</td> <td>0</td> <td>2</td> <td>6</td> </tr> <tr> <td>If under five folios</td> <td>0</td> <td>1</td> <td>0</td> </tr> <tr> <td>Filing any affidavit (whether to be used in Court or before the Master)</td> <td>0</td> <td>1</td> <td>0</td> </tr> <tr> <td>Filing charge, state of facts, proposals, or similar matter</td> <td>0</td> <td>2</td> <td>0</td> </tr> <tr> <td>Allowance of any such matter</td> <td>0</td> <td>5</td> <td>0</td> </tr> <tr> <td>Every certificate not being a "Master's certificate"</td> <td>0</td> <td>2</td> <td>6</td> </tr> <tr> <td>For amending any pleading</td> <td>0</td> <td>10</td> <td>0</td> </tr> <tr> <td>Every subpoena and testificandum</td> <td>0</td> <td>2</td> <td>6</td> </tr> <tr> <td>Each name beyond the first</td> <td>0</td> <td>1</td> <td>0</td> </tr> <tr> <td>Every other subpoena</td> <td>0</td> <td>5</td> <td>0</td> </tr> <tr> <td>Every common injunction, or writ of attachment, or fi, fa...</td> <td>0</td> <td>10</td> <td>6</td> </tr> </table>	Every appointment or warrant	0	3	0	Every search in any cause or matter pending	0	1	0	Search in other cases	0	2	6	Certifying any office copy	0	2	6	If under five folios	0	1	0	Filing any affidavit (whether to be used in Court or before the Master)	0	1	0	Filing charge, state of facts, proposals, or similar matter	0	2	0	Allowance of any such matter	0	5	0	Every certificate not being a "Master's certificate"	0	2	6	For amending any pleading	0	10	0	Every subpoena and testificandum	0	2	6	Each name beyond the first	0	1	0	Every other subpoena	0	5	0	Every common injunction, or writ of attachment, or fi, fa...	0	10	6																																																														
Every appointment or warrant	0	3	0																																																																																																																				
Every search in any cause or matter pending	0	1	0																																																																																																																				
Search in other cases	0	2	6																																																																																																																				
Certifying any office copy	0	2	6																																																																																																																				
If under five folios	0	1	0																																																																																																																				
Filing any affidavit (whether to be used in Court or before the Master)	0	1	0																																																																																																																				
Filing charge, state of facts, proposals, or similar matter	0	2	0																																																																																																																				
Allowance of any such matter	0	5	0																																																																																																																				
Every certificate not being a "Master's certificate"	0	2	6																																																																																																																				
For amending any pleading	0	10	0																																																																																																																				
Every subpoena and testificandum	0	2	6																																																																																																																				
Each name beyond the first	0	1	0																																																																																																																				
Every other subpoena	0	5	0																																																																																																																				
Every common injunction, or writ of attachment, or fi, fa...	0	10	6																																																																																																																				

Authority under which levied, or by which legalized.	SPECIFICATION OF FEES— <i>continued.</i>	Authority under which originally established.	At what Period.	
SUPREME COURT—<i>continued.</i>				
EQUITABLE JURISDICTION—<i>continued.</i>				
FEES PAYABLE TO THE MASTER—<i>continued.</i>				
		£ s. d.		
Act of Parliament 9 Geo. IV, cap. 83, and Act of the Colonial Legislature 4 Vict., No. 22..	Every special injunction, writ of ne exeat coloniâ, sequestration or writ of assistance	1 1 0		
	Every decree	2 0 0		
	Office copy thereof	1 0 0		
	Every order not being an order of course, or on appeal, or re-hearing	0 10 6		
	Office copy thereof	0 5 0		
	Filing bill or information	0 10 0		
	Filing answer or any pleading	0 5 0		
	Entering appearance, each defendant	0 2 6		
	Setting down a cause	0 10 6		
	Every oath or affirmation	0 1 0		
	On every exhibit to affidavit, or on taking accounts before the Master	0 0 6		
	Every other exhibit	0 1 0		
	On any advertisement	0 5 0		
	Every bond or recognizance	0 10 6		
	Examination of any party or witness, inclusive of oath	0 2 6		
	If above one hour	0 4 0		
	If above two hours	0 5 0		
	Commission in Lunacy	1 1 0		
	Superseding same	0 10 6		
	Grant of person or estate, or both, including enrolment	1 1 0		
	Where value of property exceeds £500	2 2 0		
	Every revocation, including enrolment	1 1 0		
	In respect of all matters and things not enumerated in the above table, which would in England be done and transacted in the High Court of Chancery, the like fees are in this Court demanded and taken as may lawfully be demanded and taken in the said Court of Chancery.			
	For filing a claim	0 5 0		
	For sealing every writ of summons	0 5 0		
For filing a caveat	0 2 6			
For every order on the hearing of a claim, or on further directions	1 0 0			
For every office copy thereof	0 10 0			
For every order or hearing exceptions	0 10 0			
For every office copy thereof	0 5 0			
For appearances, certificates, &c., and for other orders and office copies, the same fees as are now received by the Master in Equity.				
For every summons in Chambers	0 2 6			
For every order in Chambers	0 7 6			
For entering appearance, each defendant	0 1 0			
Act of Council 16 Vict., No. 13.	COMMON LAW AND GENERAL JURISDICTION.			
	FEES PAYABLE TO THE SHERIFF.			
	For the service of a summons (besides mileage to bailiff), each defendant	0 5 0		
	Fee to cover postage (each writ requiring to be sent by post)	0 0 6		
	On caption of any defendant, under ca. re.	0 10 6		
	Service of foreign attachment (besides mileage to bailiff), each garnishee	0 5 0		
	On every bail bond	0 5 0		
	Assignment of bail bond	0 5 0		
	Where a view shall be had—summoning a jury within five miles	0 3 6		
	If a greater distance	0 5 0		
	Receiving and entering every writ of execution	0 1 0		
	On every warrant	0 1 0		
	The like for special warrant	0 2 6		
	Receiving and entering every order of suspension of any writ	0 2 6		
	On every enlargement of return	0 1 0		
	Executing every writ of fi. fa., ca. sa., or Judge's warrant, 5 per cent. on the first £100, and 2½ per cent. above that			
	Executing every writ of habere facias, the like on the amount of rent or annual value.			
	Office copy of any document, per folio of 72 words	0 0 4		
	For every office search, or inspection of any document	0 1 0		
	Attending every inquisition (in lunacy, or as to property, &c.)	1 1 0		
	On every warrant in replevin	0 5 0		
	Executing process of attachment	1 1 0		
	Act of Parliament 9 Geo. IV, cap. 83, and Act of the Colonial Legislature 4 Vict., No. 22..			
	By the Judges, under the authority of the Act of Council, 17 Vict., No. 7 ..			
		Act of Parliament } 4 Geo. IV, cap. 96 }	1824.	

STATISTICS—1878.

227

Authority under which levied, or by which legalized.	SPECIFICATION OF FEES— <i>continued.</i>	Authority under which originally established.	At what Period.	
SUPREME COURT—<i>continued.</i>				
COMMON LAW AND GENERAL JURISDICTION—<i>continued.</i>				
FEES PAYABLE TO THE SHERIFF—<i>continued.</i>				
	£ s. d.			
Act of Council 11 Vict., No. 20	On assessment of damages	1 0 0	} Act of Council } 8 Vict., No. 4	2 Aug., 1844.
	On each case of trial by Jury:—			
	Jury of four	2 0 0		
	Special Jury of twelve	6 0 0		
	Common Jury of twelve	3 0 0		
	The above fees, together with the amount of all fines on jurors, form a fund in the hands of the Sheriff, for paying the expense of civil jurors.			
FEES TAKEN BY THE PROTHONOTARY.				
<i>Bills of Sale.</i>				
Act of Council 19 Vict., No. 2 (18 July, 1855).	For searching the registers or bills of sale, for every search against one person	0 0 6	} 19 Vict., No. 2 ..	18 July, 1855.
	And for every search of index to the said registers, by the person requiring the information	0 1 0		
	For filing and entering every bill of sale, or a copy thereof..	0 2 6		
SHERIFF'S OFFICE.				
FEES RECEIVED BY THE UNDER SHERIFF.				
	Attending a view within five miles of Sheriff's Office ..	1 1 0		
	Ditto at a greater distance	2 2 0		
	Mileage	0 1 0		
	Drawing and inserting every advertisement	0 5 0		
BAILIFF'S FEES.				
GENERAL JURISDICTION.				
	Mileage or service of summons, and for executing any writ (out only)	0 0 9		
	But if defendant served at same time with two writs, each writ, per mile	0 0 6		
	Or if with more than two writs, each writ, per mile..	0 0 4		
	Ditto, conveying any party to gaol, per mile	0 0 9		
	Possession money, per diem	0 4 0		
	Caption fee, each person taken	0 10 6		
EQUITABLE JURISDICTION.				
Act of Parlia- ment 9 Geo. IV., cap. 83, and Act of the Colonial Legislature 4 Vict., No. 22 ..	Arrest upon any warrant or attachment	0 5 0	} Act of Parlia- ment 4 Geo. IV., cap. 96 .. .	1824.
	Producing a person at the bar of the Court	0 2 6		
	Travelling expenses per mile (out only)	0 0 9		
COMMISSIONERS OF THE SUPREME COURT FOR TAKING AFFIDAVITS OR RECOGNIZANCES AND ACKNOWLEDGMENTS.				
	Every oath administered in the country	0 2 0		
	Ditto in town	0 1 0		
	And for marking exhibits attached to any affidavit (each such exhibit an additional sum of)	0 0 6		
	Every oath not being at his own office or residence	0 5 0		
	Ditto if above a mile beyond the Commissioner's residence (over and above his actual and necessary travelling expenses)	1 1 0		
	Every examination of a witness, or other person (including taking down and certifying the same), for each attendance not exceeding two hours	1 1 0		
	For every additional hour	0 5 0		
	If required to attend at any other than his own office or residence (over and above his actual and necessary travelling expenses) an additional	0 10 6		
	Every recognizance, of whatever kind	0 5 0		
	For each name beyond the first	0 2 6		
	For executing any writ of trial or inquiry, including summoning of assessors	2 2 0		

Authority under which levied, or by which legalized.	SPECIFICATION OF FEES— <i>continued.</i>	Authority under which originally established.	At what Period.																																																																																																																																																												
Judge of the Court, in pursuance of power vested in him by the 44th section of the Act 36 Vic. No. 9.	<p>SUPREME COURT—<i>continued.</i></p> <p>DIVORCE AND MATRIMONIAL CAUSES COURT.</p> <p>SCALE OF FEES—to be taken in the Registrar's Office.</p> <p style="text-align: center;"><i>Filing.</i></p> <table border="0" style="width: 100%;"> <tr> <td style="width: 80%;"></td> <td style="text-align: right; width: 5%;">£</td> <td style="text-align: right; width: 5%;">s.</td> <td style="text-align: right; width: 5%;">d.</td> </tr> <tr> <td>Every petition</td> <td style="text-align: right;">0</td> <td style="text-align: right;">5</td> <td style="text-align: right;">0</td> </tr> <tr> <td>Every answer, reply, or other pleading or statement in nature of a pleading</td> <td style="text-align: right;">0</td> <td style="text-align: right;">5</td> <td style="text-align: right;">0</td> </tr> <tr> <td>Every application for order for protection, or for discharging of any such order</td> <td style="text-align: right;">0</td> <td style="text-align: right;">5</td> <td style="text-align: right;">0</td> </tr> <tr> <td>Engrossment of proceedings on parchment</td> <td style="text-align: right;">0</td> <td style="text-align: right;">5</td> <td style="text-align: right;">0</td> </tr> <tr> <td>Every præcipe, citation, affidavit, appearance, address, notice, or other document not herein specially provided for</td> <td style="text-align: right;">0</td> <td style="text-align: right;">1</td> <td style="text-align: right;">0</td> </tr> </table> <p style="text-align: center;"><i>Entering.</i></p> <table border="0" style="width: 100%;"> <tr> <td style="width: 80%;">Appearance</td> <td style="text-align: right; width: 5%;">0</td> <td style="text-align: right; width: 5%;">2</td> <td style="text-align: right; width: 5%;">6</td> </tr> <tr> <td>Address</td> <td style="text-align: right;">0</td> <td style="text-align: right;">2</td> <td style="text-align: right;">6</td> </tr> <tr> <td>Decrees and orders, per folio</td> <td style="text-align: right;">0</td> <td style="text-align: right;">0</td> <td style="text-align: right;">6</td> </tr> </table> <p style="text-align: center;"><i>Issue of Writs, &c.</i></p> <table border="0" style="width: 100%;"> <tr> <td style="width: 80%;">Signing and sealing every citation</td> <td style="text-align: right; width: 5%;">0</td> <td style="text-align: right; width: 5%;">5</td> <td style="text-align: right; width: 5%;">0</td> </tr> <tr> <td>Every subpoena</td> <td style="text-align: right;">0</td> <td style="text-align: right;">5</td> <td style="text-align: right;">0</td> </tr> <tr> <td>Every writ of fieri facias attachment, or other writ not herein specially provided for</td> <td style="text-align: right;">0</td> <td style="text-align: right;">5</td> <td style="text-align: right;">0</td> </tr> <tr> <td>Sealing copy petition</td> <td style="text-align: right;">0</td> <td style="text-align: right;">5</td> <td style="text-align: right;">0</td> </tr> <tr> <td>Affixing seal of Court to any commission or other document</td> <td style="text-align: right;">1</td> <td style="text-align: right;">0</td> <td style="text-align: right;">0</td> </tr> </table> <p style="text-align: center;"><i>Decrees and Orders.</i></p> <table border="0" style="width: 100%;"> <tr> <td style="width: 80%;">For every decree</td> <td style="text-align: right; width: 5%;">1</td> <td style="text-align: right; width: 5%;">0</td> <td style="text-align: right; width: 5%;">0</td> </tr> <tr> <td>For every order of the Court</td> <td style="text-align: right;">0</td> <td style="text-align: right;">10</td> <td style="text-align: right;">6</td> </tr> </table> <p style="text-align: center;"><i>Settling.</i></p> <table border="0" style="width: 100%;"> <tr> <td style="width: 80%;">Every advertisement</td> <td style="text-align: right; width: 5%;">0</td> <td style="text-align: right; width: 5%;">5</td> <td style="text-align: right; width: 5%;">0</td> </tr> <tr> <td>Perusing and settling every settlement or deed connected therewith, if not exceeding thirty folios</td> <td style="text-align: right;">1</td> <td style="text-align: right;">0</td> <td style="text-align: right;">0</td> </tr> <tr> <td>Exceeding thirty and not exceeding fifty folios</td> <td style="text-align: right;">1</td> <td style="text-align: right;">10</td> <td style="text-align: right;">0</td> </tr> <tr> <td>Exceeding fifty and not exceeding one hundred folios</td> <td style="text-align: right;">2</td> <td style="text-align: right;">10</td> <td style="text-align: right;">0</td> </tr> <tr> <td>Exceeding one hundred folios</td> <td style="text-align: right;">3</td> <td style="text-align: right;">0</td> <td style="text-align: right;">0</td> </tr> <tr> <td>Examining engrossment with draft affidavit not exceeding fifteen folios</td> <td style="text-align: right;">0</td> <td style="text-align: right;">3</td> <td style="text-align: right;">4</td> </tr> <tr> <td>If exceeding fifteen folios, then for every fifteen folios</td> <td style="text-align: right;">0</td> <td style="text-align: right;">3</td> <td style="text-align: right;">4</td> </tr> <tr> <td>Settling every bond, recognizance, or other deed or document not herein specially provided for, per folio</td> <td style="text-align: right;">0</td> <td style="text-align: right;">0</td> <td style="text-align: right;">6</td> </tr> <tr> <td>Signing approval</td> <td style="text-align: right;">0</td> <td style="text-align: right;">5</td> <td style="text-align: right;">0</td> </tr> </table> <p style="text-align: center;"><i>Oaths and Exhibits.</i></p> <table border="0" style="width: 100%;"> <tr> <td style="width: 80%;">For each oath administered</td> <td style="text-align: right; width: 5%;">0</td> <td style="text-align: right; width: 5%;">1</td> <td style="text-align: right; width: 5%;">6</td> </tr> <tr> <td>Signing each exhibit</td> <td style="text-align: right;">0</td> <td style="text-align: right;">0</td> <td style="text-align: right;">6</td> </tr> </table> <p style="text-align: center;">MEMO.—The like fees to be taken by Commissioners for taking Affidavits.</p> <p style="text-align: center;"><i>Miscellaneous.</i></p> <table border="0" style="width: 100%;"> <tr> <td style="width: 80%;">For setting down cause for hearing</td> <td style="text-align: right; width: 5%;">0</td> <td style="text-align: right; width: 5%;">10</td> <td style="text-align: right; width: 5%;">0</td> </tr> <tr> <td>For setting down motion or other application</td> <td style="text-align: right;">0</td> <td style="text-align: right;">5</td> <td style="text-align: right;">0</td> </tr> <tr> <td>Every office search</td> <td style="text-align: right;">0</td> <td style="text-align: right;">1</td> <td style="text-align: right;">0</td> </tr> <tr> <td>If same exceed half an hour</td> <td style="text-align: right;">0</td> <td style="text-align: right;">2</td> <td style="text-align: right;">6</td> </tr> <tr> <td>Receiving or handing over exhibits or other documents deposited, and comparing same with schedule</td> <td style="text-align: right;">0</td> <td style="text-align: right;">5</td> <td style="text-align: right;">0</td> </tr> <tr> <td>Posting every notice</td> <td style="text-align: right;">0</td> <td style="text-align: right;">1</td> <td style="text-align: right;">0</td> </tr> <tr> <td>Office copy, per folio</td> <td style="text-align: right;">0</td> <td style="text-align: right;">0</td> <td style="text-align: right;">6</td> </tr> <tr> <td>Certified copy, per folio</td> <td style="text-align: right;">0</td> <td style="text-align: right;">0</td> <td style="text-align: right;">9</td> </tr> <tr> <td>Every warrant</td> <td style="text-align: right;">0</td> <td style="text-align: right;">3</td> <td style="text-align: right;">0</td> </tr> </table> <p>Taxing costs, 2½ per cent. on the amount allowed.</p> <p>For every other proceeding not herein specially provided for, the same fees as for the like or analogous proceeding in Equity.</p> <p style="text-align: center;">FEES—to be taken in Judge's Chambers.</p> <table border="0" style="width: 100%;"> <tr> <td style="width: 80%;">For every summons</td> <td style="text-align: right; width: 5%;">0</td> <td style="text-align: right; width: 5%;">2</td> <td style="text-align: right; width: 5%;">0</td> </tr> <tr> <td>For every order thereon</td> <td style="text-align: right;">0</td> <td style="text-align: right;">3</td> <td style="text-align: right;">0</td> </tr> <tr> <td>For filing every affidavit</td> <td style="text-align: right;">0</td> <td style="text-align: right;">1</td> <td style="text-align: right;">0</td> </tr> </table> <p>MEMO.—All affidavits filed with the Associate, and used before the Judge in Chambers, are to be forwarded by the Associate to the Registrar forthwith, after the application to which they relate shall have been disposed of.</p> <p>For any other proceeding or business not above specifically provided for, the same fees as for like or analogous proceedings at Common Law or in Equity, as the case may be.</p>		£	s.	d.	Every petition	0	5	0	Every answer, reply, or other pleading or statement in nature of a pleading	0	5	0	Every application for order for protection, or for discharging of any such order	0	5	0	Engrossment of proceedings on parchment	0	5	0	Every præcipe, citation, affidavit, appearance, address, notice, or other document not herein specially provided for	0	1	0	Appearance	0	2	6	Address	0	2	6	Decrees and orders, per folio	0	0	6	Signing and sealing every citation	0	5	0	Every subpoena	0	5	0	Every writ of fieri facias attachment, or other writ not herein specially provided for	0	5	0	Sealing copy petition	0	5	0	Affixing seal of Court to any commission or other document	1	0	0	For every decree	1	0	0	For every order of the Court	0	10	6	Every advertisement	0	5	0	Perusing and settling every settlement or deed connected therewith, if not exceeding thirty folios	1	0	0	Exceeding thirty and not exceeding fifty folios	1	10	0	Exceeding fifty and not exceeding one hundred folios	2	10	0	Exceeding one hundred folios	3	0	0	Examining engrossment with draft affidavit not exceeding fifteen folios	0	3	4	If exceeding fifteen folios, then for every fifteen folios	0	3	4	Settling every bond, recognizance, or other deed or document not herein specially provided for, per folio	0	0	6	Signing approval	0	5	0	For each oath administered	0	1	6	Signing each exhibit	0	0	6	For setting down cause for hearing	0	10	0	For setting down motion or other application	0	5	0	Every office search	0	1	0	If same exceed half an hour	0	2	6	Receiving or handing over exhibits or other documents deposited, and comparing same with schedule	0	5	0	Posting every notice	0	1	0	Office copy, per folio	0	0	6	Certified copy, per folio	0	0	9	Every warrant	0	3	0	For every summons	0	2	0	For every order thereon	0	3	0	For filing every affidavit	0	1	0	Act 36 Vic. No. 9 came into operation..	3 March, 1873. 1 July, 1873.
		£	s.	d.																																																																																																																																																											
	Every petition	0	5	0																																																																																																																																																											
	Every answer, reply, or other pleading or statement in nature of a pleading	0	5	0																																																																																																																																																											
	Every application for order for protection, or for discharging of any such order	0	5	0																																																																																																																																																											
	Engrossment of proceedings on parchment	0	5	0																																																																																																																																																											
	Every præcipe, citation, affidavit, appearance, address, notice, or other document not herein specially provided for	0	1	0																																																																																																																																																											
	Appearance	0	2	6																																																																																																																																																											
	Address	0	2	6																																																																																																																																																											
	Decrees and orders, per folio	0	0	6																																																																																																																																																											
	Signing and sealing every citation	0	5	0																																																																																																																																																											
	Every subpoena	0	5	0																																																																																																																																																											
	Every writ of fieri facias attachment, or other writ not herein specially provided for	0	5	0																																																																																																																																																											
	Sealing copy petition	0	5	0																																																																																																																																																											
	Affixing seal of Court to any commission or other document	1	0	0																																																																																																																																																											
	For every decree	1	0	0																																																																																																																																																											
	For every order of the Court	0	10	6																																																																																																																																																											
	Every advertisement	0	5	0																																																																																																																																																											
	Perusing and settling every settlement or deed connected therewith, if not exceeding thirty folios	1	0	0																																																																																																																																																											
	Exceeding thirty and not exceeding fifty folios	1	10	0																																																																																																																																																											
	Exceeding fifty and not exceeding one hundred folios	2	10	0																																																																																																																																																											
	Exceeding one hundred folios	3	0	0																																																																																																																																																											
	Examining engrossment with draft affidavit not exceeding fifteen folios	0	3	4																																																																																																																																																											
	If exceeding fifteen folios, then for every fifteen folios	0	3	4																																																																																																																																																											
	Settling every bond, recognizance, or other deed or document not herein specially provided for, per folio	0	0	6																																																																																																																																																											
	Signing approval	0	5	0																																																																																																																																																											
	For each oath administered	0	1	6																																																																																																																																																											
	Signing each exhibit	0	0	6																																																																																																																																																											
	For setting down cause for hearing	0	10	0																																																																																																																																																											
	For setting down motion or other application	0	5	0																																																																																																																																																											
Every office search	0	1	0																																																																																																																																																												
If same exceed half an hour	0	2	6																																																																																																																																																												
Receiving or handing over exhibits or other documents deposited, and comparing same with schedule	0	5	0																																																																																																																																																												
Posting every notice	0	1	0																																																																																																																																																												
Office copy, per folio	0	0	6																																																																																																																																																												
Certified copy, per folio	0	0	9																																																																																																																																																												
Every warrant	0	3	0																																																																																																																																																												
For every summons	0	2	0																																																																																																																																																												
For every order thereon	0	3	0																																																																																																																																																												
For filing every affidavit	0	1	0																																																																																																																																																												

STATISTICS—1878.

229

Authority under which levied, or by which legalized.	SPECIFICATION OF FEES— <i>continued.</i>	Authority under which originally established.	At what Period.		
COURT OF INSOLVENCY.					
FEES TAKEN BY THE CHIEF COMMISSIONER AND OTHERS IN INSOLVENT ESTATE PROCEEDINGS.					
CHIEF COMMISSIONER.					
Act of Council 7 Vict., No. 19 (21 Dec., 1843, and 25 Vict., No. 8).. ..	Upon filing every petition by a person surrendering his estate as insolvent, including the Chief Commissioner's order thereon, where the assets shall appear not to exceed £100	s. d. 2 6	By the Judges of the Supreme Court, under the authority of the Act of the Colonial Legislature, 5 Vict., No. 17. See Rules and Orders of the Supreme Court, published in the <i>New South Wales Government Gazette</i> , dated 4 Jan., 1842.		
	When above that amount	5 0			
	For drawing and inserting each advertisement, besides the expenses paid for advertising, when required to be done by him	2 6			
	Upon receiving and filing every petition against a person having committed an act of insolvency	5 0			
	For every affidavit used therewith	1 0			
	For the Chief Commissioner's order thereon	5 0			
	For every summons of debtor to show cause	5 0			
	For every examination taken on the hearing, per folio of ninety words	0 4			
	For every person examined or document exhibited	1 0			
	For making up and recording the judgment thereon	5 0			
	For taxing costs in any case (same as in the Supreme Court Office).				
	For making every necessary application and report to the Court, or a Judge, or the Chief Commissioner, and minute of the order thereon	2 6			
	For every warrant of attachment of movable property	2 6			
	For every summons for the attendance of a person to give evidence or be examined	5 0			
	For every certified extract from, or copy of proceedings relating to, insolvent estates, of less than ninety words	2 6			
	And above that number, per folio	0 4			
	For every inspection of proceedings in each estate not exceeding half an hour	1 0			
	For every summons or other process for procuring the attendance of any person before the Court, or any Judge, or before the Chief Commissioner (same as in the Supreme Court Office in similar cases).				
	CHIEF AND OTHER COMMISSIONERS.				
	For presiding at meeting of creditors, in estates under £100 assets	15 0		7 Vict., No. 19.	
For presiding at any meeting of creditors, per diem	15 0				
For every proof of debt, to be paid by the person offering it	1 0				
For swearing every affidavit, by the party sworn	1 0				
For every affidavit, filed by the party using it	1 0				
For every person examined, by the party producing him.. .. .	1 0				
For making up the minutes, and reporting when necessary the proceedings at any meetings of creditors	5 0				
For every warrant for apprehension of insolvent	5 0				
For every warrant of commitment of any person	7 6				
MESSENGERS' FEES.					
For making every attachment of person or property (the same as now paid for service of civil process of the Supreme Court, and mileage).					
For making inventory and notice, and report to Commissioner ..	2 6				
Copy of ditto	2 6				
SHERIFF'S FEE.					
For registering every order for sequestration, and delivering to Chief Commissioner	1 0				

Authority under which levied, or by which legalized.	SPECIFICATION OF FEES— <i>continued.</i>	Authority under which originally established.	At what Period.															
FEES TAKEN BY THE REGISTRARS OF THE SEVERAL DISTRICT COURTS.																		
Governor & Executive Council, 27 Jan., 1871, 23 Mar., 1871 (under Act 22 Vict., No. 18.)	For filing every plaint, issuing summons, &c...	<table style="margin-left: auto; margin-right: 0;"> <tr><td style="text-align: right;">£</td><td style="text-align: right;">s.</td><td style="text-align: right;">d.</td></tr> <tr><td style="text-align: right;">0</td><td style="text-align: right;">3</td><td style="text-align: right;">6</td></tr> <tr><td style="text-align: right;">0</td><td style="text-align: right;">6</td><td style="text-align: right;">0</td></tr> <tr><td style="text-align: right;">0</td><td style="text-align: right;">10</td><td style="text-align: right;">0</td></tr> <tr><td style="text-align: right;">1</td><td style="text-align: right;">0</td><td style="text-align: right;">0</td></tr> </table>	£	s.	d.	0	3	6	0	6	0	0	10	0	1	0	0	} 22 Vict., No. 18.. 12 Nov., 1858.
	£	s.	d.															
	0	3	6															
	0	6	0															
	0	10	0															
	1	0	0															
	For issuing every subpoena	0 1 0																
	For filing every plea	0 1 0																
	For issuing every writ of execution	0 2 0																
	For filing every confession, in cases not exceeding £30	0 2 0																
	For every search	0 2 6																
	For every copy	0 5 0																
	For swearing every affidavit	0 5 0																
	For filing every affidavit	0 7 6																
	For every appointment to tax, in cases not exceeding £30	0 1 0																
	For every summons to show cause in interlocutory matter, not exceeding £100	0 2 0																
	For every certificate of judgment, in cases not exceeding £100	0 2 0																
	For every order, in cases not exceeding £100	0 3 6																
	For issuing every instalment form	0 1 0																
	For every writ of attachment, in cases not exceeding £30	0 2 0																
	For every copy of execution against lands, in cases not exceeding £30	0 1 0																
	Bailiff's notice of execution, in cases not exceeding £100	0 2 6																
	For issuing every <i>ca. sa.</i> summons	0 3 6																
	For filing every notice of appeal	0 2 6																
	„ jury demand	0 3 6																
	GOVERNMENT PRINTING OFFICE.																	
	“GOVERNMENT GAZETTE.”																	
	By Notice in the <i>Govt. Gazette</i> , dated 6 Jan. 1860, and by Colonial Treasurer, 19 July, 1871.	To Subscribers, £1 10s. per annum; single copies for current year, 1s. each, and 1d. additional per copy for every back year.	} Governor, by Notice in <i>Govt. Gazette</i> , and Colonial Treasurer ..	} 6 Jan., 1860. 19 July, 1871.														
ADVERTISEMENTS. At the rate of 3s. for the first eight lines (or under), and 3d. for every additional line.																		
By Colonial Treasurer, 3 July, 1863 ..	PARLIAMENTARY PAPERS.	} By Colonial Treasurer ..	} 4 Jan., 1861.															
	To Subscribers, £2 10s. per Session .. Separate copies of Bills, Acts, &c., at the rate of 3d. per sheet of four pages, up to four sheets; and 1d. for every sheet, or portion of a sheet, beyond four sheets.																	
By Notice in the <i>Govt. Gazette</i> , dated 15 Dec., 1865 ..	POUNDKEEPERS.	} Ditto ..	} 27 Oct., 1865.															
	For each animal described, 1s. ..																	

Authority under which levied, or by which legalized.	SPECIFICATION OF FEES— <i>continued.</i>	Authority under which originally established.	At what Period.	
Act of Council, 6 Geo. IV, No. 20 (1 Nov., 1825)	CORONERS.			
	Upon every inquisition taken upon view of the body slain, of the goods and chattels of him that is the slayer and murderer, if he have any	s. d. 13 4	Govt. Order ..	6 March, 1822.
	For every inquisition not taken upon view of a body dying in gaol, which shall be duly taken	20 0		
	And also, for every mile he shall be compelled to travel from the place of his usual abode to take such inquisition (to be paid from the Colonial Treasury) where no fee shall be paid	0 9		
	And for every inquisition taken on view of the body dying in prison, he shall be paid as much as the Judge of the Criminal Court shall allow, not exceeding	20 0		
	ORDNANCE STOREKEEPER.			
	RATES OF LIGHTERAGE FROM SHIPS OR VESSELS BY WHICH EXPLOSIVES ARE IMPORTED.			
	For each package containing Cartridges (small ammunition)	s. d. 0 4		
For each barrel or package containing 51 lbs. loose Gunpowder and upwards to 100 lbs., and for each package of Canister-powder containing 48 lbs. and upwards	0 3			
For each barrel or package containing 50 lbs. loose Powder and under, and for each package of Canister-powder containing under 48 lbs.	0 2			
Any other explosive to be liable to similar charges; but if the rates in any case shall not amount to 7s. 6d., the minimum charge, instead of the above rates, shall be	7 6			
40 Vic. No. 1 (27 June, 1876)	RATES OF CHARGES FOR DELIVERY OF GUNPOWDER FROM MAGAZINES BY LAND AND WATER, TRANSPORT OR SEPARATELY (AS THE CASE MAY BE).			
	For one or any number up to ten barrels or packages, each containing not more than 50 lbs. of Gunpowder, but not exceeding 10 packages, to be conveyed by land and water at one time on each person's order, the minimum charge to be	s. d. 5 0	7 Wm. IV, No. 7 5 Vict., No. 11, 16 Vict., No. 47, 18 Vict., No. 21, 19 Vict., No. 6.	3 July, 1828.
	For every barrel or package, each containing not more than 50 lbs. of powder in excess of 10 packages conveyed by land and water, at per package	0 4		
	For one or any number up to ten of barrels or packages, each containing 51 lbs. of Gunpowder and up to 100 lbs., but not exceeding 10 packages, to be conveyed by land and water at one time on each person's order, the minimum charge to be	10 0		
	For every barrel or package, each containing 51 lbs. of powder and up to 100 lbs. in excess of 10 packages, to be conveyed by land and water, at per package	0 8		
And in cases of land carriage (exclusive of railway carriage) and water transport being separately done in either of the foregoing cases, the charges shall be at half the rates hereinbefore stated.				
Any other explosive to be liable to similar charges.				

Authority under which evied, or by which legalized.	SPECIFICATION OF FEES— <i>continued.</i>	Authority under which originally established.	At what Period.
ORDNANCE STOREKEEPER—<i>continued.</i>			
RATES OF STORAGE.			
40 Vic., No. 1 (27 June, 1876)	For each barrel or package containing upwards of 50 lbs. of Gunpowder, for any period not exceeding six weeks ..	s. d. 0 6	7 Wm. IV, No. 7 5 Vict., No. 11. 16 Vict., No. 47. 18 Vict., No. 21. 19 Vict., No. 6.
	For each barrel or package containing upwards of 50 lbs. of Gunpowder, for any period above six weeks, per week ..	0 1	
	For each barrel or package containing 50 lbs. and under of Gunpowder, for any period not exceeding six weeks ..	0 3	
	For each barrel or package containing 50 lbs. and under of Gunpowder, for any period above six weeks, per week ..	0 0½	
	Any other explosive to be liable to similar charges.		
FEES FOR LICENSES.			
27 Vict., No. 9 } (14 April, 1864)	For every license granted for a magazine	£ s. d. 2 0 0	27 Vict., No. 9..
	For every special license	1 0 0	
	For every ordinary license.. .. .	0 10 0	
	For every license for registered premises	0 5 0	
CATTLE EXPORT ACT.			
27 Vict., No. 9 } (14 April, 1864)	For every head of cattle examined, 1s.		14 April, 1864.
SHEEP DISEASE PREVENTION ACT.			
Proclamation, } dated 6 Jan., } 1877 }	Owner of every 1,000 sheep, or portion of 1,000 sheep, per annum, 7s. 6d. (No contribution payable by any owner whose sheep do not exceed 500.)		3 Wm. IV, No. 5 31 Aug., 1832. 5 Wm. IV, No. 19 28 Oct., 1834. 6 Wm. IV, No. 10 9 Oct., 1835. 2 Vict., No. 12.. 29 Aug., 1838. 3 Vict., No. 27.. 9 June, 1840. 5 Vict., No. 22.. 26 May, 1842. 8 Vict., No. 3.. 1 Aug., 1844. 9 Vict., No. 10.. 27 Oct., 1845. 10 Vict., No. 8.. 30 Oct., 1846. 17 Vict., No. 27.. 24 Oct., 1853. 18 Vict., No. 26.. 18 Nov., 1854. 19 Vict., No. 27.. 22 Nov., 1855. 22 Vict., No. 10.. 7 Oct., 1858. 24 Vict., No. 9.. 26 Mar., 1861. 27 Vict., No. 3.. 22 Sept., 1863. 27 Vict., No. 6.. 18 Jan., 1864. 29 Vict., No. 13.. 27 Dec., 1865. 30 Vict., No. 16.. 6 Dec., 1866.
GLEBE ISLAND ABATTOIR.			
SLAUGHTERING FEES—(Reserved Abattoir).			
By Act of Council 14 Vic., No. 36, and Orders and Regulations of 3 Dec., 1864 }	For every ox, cow, bull, heifer, or steer (including an Inspection Fee of 3d.)	s. d. 1 0	14 Vict., No. 36.. } And Orders and } Regulations of }
	For every calf (including inspection fee)	0 6	
	For every sheep or lamb	0 1½	
	For every head of swine	0 6	
INSPECTION FEE—(Leased Abattoir).			
By Act of Council 14 Vic., No. 36, and Orders and Regulations of 3 Dec., 1864 }	For each head of horned cattle slaughtered	0 3	
INSPECTORS OF SLAUGHTER-HOUSES AND OF CATTLE INTENDED FOR SLAUGHTER.			
IN THE SEVERAL TOWNS THROUGHOUT THE COLONY TO WHICH THE PROVISIONS OF THE ACT OF COUNCIL 5 Wm. IV, No. 1, HAVE BEEN EXTENDED.			
Act of Council 5 } Wm. IV, No. 1 } (4 July, 1834).. }	For the inspection of each and every head of cattle intended to be slaughtered for sale	s. d. 0 3	Govt. Order .. 20 May, 1811. Acts of Council— 11 Geo. IV, No. 4 15 Mar., 1830. 2 Wm. IV, No. 15 15 Mar., 1832.

Authority under which levied, or by which legalized.	SPECIFICATION OF FEES— <i>continued.</i>	Authority under which originally established.	At what Period.																																
INSPECTORS OF WEIGHTS AND MEASURES.																																			
FOR EXAMINING, COMPARING, AND STAMPING ALL WEIGHTS AND MEASURES WITHIN THEIR RESPECTIVE JURISDICTIONS.																																			
	<table border="1" style="width: 100%;"> <thead> <tr> <th></th> <th style="text-align: center;">Brass Weights.</th> <th style="text-align: center;">Iron or other Metal Weights except Brass.</th> </tr> <tr> <th></th> <th style="text-align: center;">s. d.</th> <th style="text-align: center;">s. d.</th> </tr> </thead> <tbody> <tr> <td>½ cwt. each</td> <td style="text-align: center;">0 9</td> <td style="text-align: center;">0 3</td> </tr> <tr> <td>¼ " "</td> <td style="text-align: center;">0 6</td> <td style="text-align: center;">0 2</td> </tr> <tr> <td>Stone "</td> <td style="text-align: center;">0 4</td> <td style="text-align: center;">0 1</td> </tr> <tr> <td>Under a stone to 1 lb. inclusive.. .. . "</td> <td style="text-align: center;">0 1</td> <td style="text-align: center;">...</td> </tr> <tr> <td>Under a stone "</td> <td style="text-align: center;">...</td> <td style="text-align: center;">0 0½</td> </tr> <tr> <td>Under 1 lb. "</td> <td style="text-align: center;">0 0½</td> <td style="text-align: center;">...</td> </tr> <tr> <td>Set of 1 lb and under "</td> <td style="text-align: center;">0 2</td> <td style="text-align: center;">0 2</td> </tr> </tbody> </table>		Brass Weights.	Iron or other Metal Weights except Brass.		s. d.	s. d.	½ cwt. each	0 9	0 3	¼ " "	0 6	0 2	Stone "	0 4	0 1	Under a stone to 1 lb. inclusive.. .. . "	0 1	...	Under a stone "	...	0 0½	Under 1 lb. "	0 0½	...	Set of 1 lb and under "	0 2	0 2							
	Brass Weights.	Iron or other Metal Weights except Brass.																																	
	s. d.	s. d.																																	
½ cwt. each	0 9	0 3																																	
¼ " "	0 6	0 2																																	
Stone "	0 4	0 1																																	
Under a stone to 1 lb. inclusive.. .. . "	0 1	...																																	
Under a stone "	...	0 0½																																	
Under 1 lb. "	0 0½	...																																	
Set of 1 lb and under "	0 2	0 2																																	
	WOODEN MEASURES.																																		
Act of Council 16 Vic., No. 34 (21 Dec., 1852).	<table border="1" style="width: 100%;"> <tbody> <tr> <td>Bushel each</td> <td style="text-align: center;">0 3</td> </tr> <tr> <td>½ " "</td> <td style="text-align: center;">0 2</td> </tr> <tr> <td>Peck, and all under "</td> <td style="text-align: center;">0 1</td> </tr> <tr> <td>Yard "</td> <td style="text-align: center;">0 0½</td> </tr> </tbody> </table>	Bushel each	0 3	½ " "	0 2	Peck, and all under "	0 1	Yard "	0 0½	Act of Council } 3 Wm. IV, No. 4 }	24 Aug., 1832.																								
Bushel each	0 3																																		
½ " "	0 2																																		
Peck, and all under "	0 1																																		
Yard "	0 0½																																		
	COPPER OR OTHER METAL MEASURES OF CAPACITY OF LIQUIDS.																																		
	<table border="1" style="width: 100%;"> <tbody> <tr> <td>5 gallons each</td> <td style="text-align: center;">1 0</td> </tr> <tr> <td>4 " "</td> <td style="text-align: center;">0 9</td> </tr> <tr> <td>3 " "</td> <td style="text-align: center;">0 6</td> </tr> <tr> <td>2 " "</td> <td style="text-align: center;">0 4</td> </tr> <tr> <td>1 " "</td> <td style="text-align: center;">0 2</td> </tr> <tr> <td>½ " "</td> <td style="text-align: center;">0 1</td> </tr> <tr> <td>1 quart and under "</td> <td style="text-align: center;">0 0½</td> </tr> </tbody> </table>	5 gallons each	1 0	4 " "	0 9	3 " "	0 6	2 " "	0 4	1 " "	0 2	½ " "	0 1	1 quart and under "	0 0½																				
5 gallons each	1 0																																		
4 " "	0 9																																		
3 " "	0 6																																		
2 " "	0 4																																		
1 " "	0 2																																		
½ " "	0 1																																		
1 quart and under "	0 0½																																		
DRUNKARDS PUNISHMENT ACT.																																			
Act of the Parliament of New South Wales, 30 Vict., No. 5 (24 Sept., 1866).	<p>Any person found drunk in any highway, street, road, or public place, liable, on conviction, to a fine or penalty not exceeding twenty shillings.</p> <p>Drunk and disorderly persons, on conviction, liable to a fine or penalty not exceeding forty shillings.</p>	30 Vict., No. 5..	24 Sept., 1866.																																
CLERKS AT POLICE OFFICES AND PETTY SESSIONS, AND CLERKS OF MAGISTRATES ACTING SINGLY.																																			
Act of Council, 4 Wm. IV, No. 5 (16 July, 1833).	<table border="1" style="width: 100%;"> <thead> <tr> <th></th> <th style="text-align: center;">s. d.</th> </tr> </thead> <tbody> <tr> <td>Summons, copy and serving</td> <td style="text-align: center;">2 6</td> </tr> <tr> <td>Subpcna, not including more than four names</td> <td style="text-align: center;">1 6</td> </tr> <tr> <td>Copies of subpcnas to serve, each</td> <td style="text-align: center;">0 4</td> </tr> <tr> <td>Drawing affidavits and informations in cases within the jurisdiction of the Magistrates, not exceeding one folio of 72 words ..</td> <td style="text-align: center;">1 0</td> </tr> <tr> <td>For every additional folio</td> <td style="text-align: center;">0 8</td> </tr> <tr> <td>Swearing the same</td> <td style="text-align: center;">1 0</td> </tr> <tr> <td>Swearing any other affidavits, affidavits for military and naval pensions excepted</td> <td style="text-align: center;">1 0</td> </tr> <tr> <td>Warrants to apprehend, in cases not felonious</td> <td style="text-align: center;">2 6</td> </tr> <tr> <td>Recognizance, and notices of the nature thereof</td> <td style="text-align: center;">5 0</td> </tr> <tr> <td>Warrant to distrain under Penal Acts</td> <td style="text-align: center;">2 6</td> </tr> <tr> <td>Order of a Justice or Justices.. .. .</td> <td style="text-align: center;">1 0</td> </tr> <tr> <td>Drawing any other document required in the discharge of the police duties not enumerated above, per folio of 72 words ..</td> <td style="text-align: center;">0 8</td> </tr> <tr> <td>Copy of proceedings, per folio of 72 words</td> <td style="text-align: center;">0 4</td> </tr> <tr> <td>For copies of depositions to a prisoner committed to take his trial, per folio of 90 words.. .. .</td> <td style="text-align: center;">0 1½</td> </tr> <tr> <td>For every weight or measure compared with the standards in their possession</td> <td style="text-align: center;">0 3</td> </tr> </tbody> </table>		s. d.	Summons, copy and serving	2 6	Subpcna, not including more than four names	1 6	Copies of subpcnas to serve, each	0 4	Drawing affidavits and informations in cases within the jurisdiction of the Magistrates, not exceeding one folio of 72 words ..	1 0	For every additional folio	0 8	Swearing the same	1 0	Swearing any other affidavits, affidavits for military and naval pensions excepted	1 0	Warrants to apprehend, in cases not felonious	2 6	Recognizance, and notices of the nature thereof	5 0	Warrant to distrain under Penal Acts	2 6	Order of a Justice or Justices.. .. .	1 0	Drawing any other document required in the discharge of the police duties not enumerated above, per folio of 72 words ..	0 8	Copy of proceedings, per folio of 72 words	0 4	For copies of depositions to a prisoner committed to take his trial, per folio of 90 words.. .. .	0 1½	For every weight or measure compared with the standards in their possession	0 3	Proclamation ..	28 Oct., 1824.
	s. d.																																		
Summons, copy and serving	2 6																																		
Subpcna, not including more than four names	1 6																																		
Copies of subpcnas to serve, each	0 4																																		
Drawing affidavits and informations in cases within the jurisdiction of the Magistrates, not exceeding one folio of 72 words ..	1 0																																		
For every additional folio	0 8																																		
Swearing the same	1 0																																		
Swearing any other affidavits, affidavits for military and naval pensions excepted	1 0																																		
Warrants to apprehend, in cases not felonious	2 6																																		
Recognizance, and notices of the nature thereof	5 0																																		
Warrant to distrain under Penal Acts	2 6																																		
Order of a Justice or Justices.. .. .	1 0																																		
Drawing any other document required in the discharge of the police duties not enumerated above, per folio of 72 words ..	0 8																																		
Copy of proceedings, per folio of 72 words	0 4																																		
For copies of depositions to a prisoner committed to take his trial, per folio of 90 words.. .. .	0 1½																																		
For every weight or measure compared with the standards in their possession	0 3																																		
Act of Council, 16 Vic., No. 34.		Act of Council } 4 Wm. IV, No. 4 }	24 Aug., 1832.																																

Authority under which levied, or by which legalized.	SPECIFICATION OF FEES— <i>continued</i> .	Authority under which originally established.	At what Period.																		
<p>Act of Council 6 } Wm. IV, No. 4 } (25 Aug., 1835)</p> <p>Amended by Act } of the Parliam- } ent of New } South Wales, } 39 Vict., No. 6, } 22 July, 1875. } Came into force } 1 October. }</p>	<p style="text-align: center;">REGISTRATION OF DOGS.</p> <p style="text-align: center;">PAYABLE ANNUALLY.</p> <table border="0" style="width: 100%;"> <tr> <td style="width: 80%;"></td> <td style="text-align: center;">s. d.</td> </tr> <tr> <td>For each dog</td> <td style="text-align: center;">2 6</td> </tr> <tr> <td>For copy of Registration, or of any particulars thereof</td> <td style="text-align: center;">0 6</td> </tr> </table>		s. d.	For each dog	2 6	For copy of Registration, or of any particulars thereof	0 6	<p>Act of Council, } 11 G. IV, No. 3 } Act of Council, } 2 W. IV, No. 8 }</p>	<p>14 April, 1830. 29 Feb., 1832.</p>												
	s. d.																				
For each dog	2 6																				
For copy of Registration, or of any particulars thereof	0 6																				
	<p style="text-align: center;">IMPOUNDING.</p> <p style="text-align: center;">RATES OF DAMAGE TO BE CHARGED FOR TRESPASS.</p> <table border="1" style="width: 100%; margin-left: auto; margin-right: auto;"> <thead> <tr> <th style="width: 50%;"></th> <th style="width: 25%; text-align: center;">In any paddock of grass enclosed by a sufficient fence.</th> <th style="width: 25%; text-align: center;">In any garden, uncut meadow, or growing crop of any kind enclosed by a sufficient fence.</th> </tr> <tr> <td></td> <td style="text-align: center;">s. d.</td> <td style="text-align: center;">s. d.</td> </tr> </thead> <tbody> <tr> <td>For every horse, mare, gelding, colt, filly, ass, mule, bull, cow, ox, heifer, steer, calf</td> <td style="text-align: center;">1 0</td> <td style="text-align: center;">4 0</td> </tr> <tr> <td>For every ram, ewe, sheep, or lamb</td> <td style="text-align: center;">0 1</td> <td style="text-align: center;">0 4</td> </tr> <tr> <td>For every goat }</td> <td style="text-align: center;">2 0</td> <td style="text-align: center;">6 0</td> </tr> <tr> <td>For every pig }</td> <td></td> <td></td> </tr> </tbody> </table> <p style="text-align: center;">Entire horses and bulls above the age of one year, each £5. (In addition to authorized poundage fees.)</p>		In any paddock of grass enclosed by a sufficient fence.	In any garden, uncut meadow, or growing crop of any kind enclosed by a sufficient fence.		s. d.	s. d.	For every horse, mare, gelding, colt, filly, ass, mule, bull, cow, ox, heifer, steer, calf	1 0	4 0	For every ram, ewe, sheep, or lamb	0 1	0 4	For every goat }	2 0	6 0	For every pig }				
	In any paddock of grass enclosed by a sufficient fence.	In any garden, uncut meadow, or growing crop of any kind enclosed by a sufficient fence.																			
	s. d.	s. d.																			
For every horse, mare, gelding, colt, filly, ass, mule, bull, cow, ox, heifer, steer, calf	1 0	4 0																			
For every ram, ewe, sheep, or lamb	0 1	0 4																			
For every goat }	2 0	6 0																			
For every pig }																					
<p>†Act of the Parliament of New South Wales, 29 Vict., No. 2, 20 June, 1865.*</p> <p>*Came into operation, 1 July, 1865</p> <p>†Amended by Act, 32 Vict., No. 11, 30 Mar., 1869</p>	<p style="text-align: center;">RATES OF MILEAGE FOR DRIVING OR TAKING ANIMALS TO THE POUND.</p> <table border="1" style="width: 100%; margin-left: auto; margin-right: auto;"> <thead> <tr> <th style="width: 80%;"></th> <th style="width: 20%; text-align: center;">Per Mile.</th> </tr> </thead> <tbody> <tr> <td>Every horse, mare, gelding, bull, cow, ox, heifer, steer, calf</td> <td style="text-align: center;">For the first, 3d., and for every other trespassing and impounded at the same time, ½d.</td> </tr> <tr> <td>Every 100 rams, ewes, sheep, or lambs, or under that number</td> <td style="text-align: center;">6d. for the first, 1d. for every hundred or portion of a hundred above that number.</td> </tr> <tr> <td>Every goat</td> <td style="text-align: center;">£ s. d. 0 0 0½</td> </tr> <tr> <td>Every pig</td> <td style="text-align: center;">0 1 0</td> </tr> </tbody> </table> <p>NOTE.—The term "cattle" to include bulls, cows, oxen, heifers, steers, and calves. The term "horses" to include horses, mares, geldings, colts and fillies, asses, mules, and foals. The term "sheep" to include rams, ewes, wethers, and lambs. The term "animal" to include cattle, horses, sheep, goats, and swine, whether one or more.</p>		Per Mile.	Every horse, mare, gelding, bull, cow, ox, heifer, steer, calf	For the first, 3d., and for every other trespassing and impounded at the same time, ½d.	Every 100 rams, ewes, sheep, or lambs, or under that number	6d. for the first, 1d. for every hundred or portion of a hundred above that number.	Every goat	£ s. d. 0 0 0½	Every pig	0 1 0	<p>Government Order 21 Sept., 1811. Acts of Council— 4 Wm. IV, No. 3 12 July, 1833. 19 Vict., No. 36. 18 Dec., 1855.</p>									
	Per Mile.																				
Every horse, mare, gelding, bull, cow, ox, heifer, steer, calf	For the first, 3d., and for every other trespassing and impounded at the same time, ½d.																				
Every 100 rams, ewes, sheep, or lambs, or under that number	6d. for the first, 1d. for every hundred or portion of a hundred above that number.																				
Every goat	£ s. d. 0 0 0½																				
Every pig	0 1 0																				

ACCOUNTS, WEIGHTS, AND MEASURES

No. 108.

<p>ACCOUNTS KEPT IN Pounds, Shillings, and Pence.</p>	<p>WEIGHTS.</p> <p>The Weights in use are the Standard Imperial Weights of Great Britain as regulated by the Act of Council 16 Victoria, No. 34. By this Act, Gold, Silver, Platina, Diamonds, or other Precious Stones, are to be sold by Troy Weight, and Drugs, when sold by retail, may be sold by Apothecaries' Weight.</p>	<p>MEASURES.</p> <p>The Measures in use are the Standard Imperial Measures of Great Britain, as regulated by the Act of Council 16 Victoria, No. 34.</p>
---	--	--

COURSE OF EXCHANGE.

No. 109.—RETURN showing the RATE per Cent. per Annum DISCOUNT on LOCAL BILLS, and the RATE of EXCHANGE ON BILLS ON LONDON, in the Year 1878.

BANKS.	Period.		Rate per Cent. per Annum Discount on Local Bills.						Rate of Exchange on Bills on London.			
	From	To	Under 65 or 66 days' Currency.	From 65 or 66 to 90 or 96 days' Currency.	Under 95 days' Currency.	From 90 or 95 to 125 or 126 days' Currency.	Above 90 or 95 days' Currency.	Above 125 or 126 days' Currency.	Maximum Purchase Rate.	Minimum Purchase Rate.	Maximum Selling Rate.	Minimum Selling Rate.
New South Wales	1 Jan ...	31 Dec.	6 & 7	7	...	8	...	9	½ prem.	¾ disc...	1 prem.	1 prem.
Commercial	do	do	7	8	...	9	¼ prem.	½ disc...	1 prem.	1 prem.
Australasia	do	do	6 & 7	7	...	9 & 10	¼ disc.	¼ prem.	¾ & 1 prem.	¾ & 1 prem.
Union of Australia	do	do	6 & 7	7 & 8	8 & 9	Par.	¼ disc...	1 prem.	¾ prem.
Australian Joint Stock	do	do	7 & 8	8 & 9	...	9 & 10	½ prem.	½ disc...	1 prem.	¾ prem.
London Chartered	do	do	7	8	...	9	Par.	Par	1 prem.	1 prem.
English, Scottish, and Australian Chartered	do	do	7	8	...	9	Par.	Par	1 prem.	1 prem.
Oriental Chartered	do	do	7 & 8	8	...	9	19s & 11s prem.	½ & 1 prem.	1½ & 1 prem.	¾ & 1 prem.
City	do	do	6 & 7	7	8 & 9	¼ prem.	Par.	1 prem.	1 prem.
Mercantile	do	do	7	8	9	Par.	½ disc...	1 prem.	1 prem.

RATES OF INTEREST.

No. 110.—RETURN showing the RATES OF INTEREST allowed to DEPOSITORS by the BANKS in the Year 1878.

Banks.	Period.		Rates of Interest allowed on Deposits for		
	From	To	3 Months.	6 Months.	12 Months.
Bank of New South Wales	1 January ...	31 December	3 and 4	4 and 5	5 to 6½
Commercial Bank	do ...	do ...	4 and 4½	5 to 5½	5 to 6½
Bank of Australasia	do ...	do ...	3 and 4	4 and 5	5 to 6½
Union Bank of Australia	do ...	do ...	3 to 5	4 to 6	5 to 6½
Australian Joint Stock Bank	do ...	do ...	4 and 5	5 and 6	6 and 6½
London Chartered Bank	do ...	do ...	3 to 5	4 to 6	5 to 6½
English, Scottish, and Australian Chartered Bank	do ...	do ...	3 to 4½	4 to 5½	5 to 6½
Oriental Chartered Bank	do ...	do ...	3 and 4	4 to 6	5 and 6½
City Bank	do ...	do ...	4½	5½	6 and 6½
Mercantile	do ...	do ...	3 to 4	4 to 5	5 to 6½

COIN AND BULLION.

No. 111.—RETURN showing the amount of COIN and BULLION in the Mint, Colonial Treasury, and the Banks in the Colony, on 31st December, 1878.

	On 31st December.			Average of the Year.		
	Coin.	Bullion Gold.	Total.	British Coin and Australian Sovereigns.	Bullion Gold.	Total.
	£ s. d.	£ s. d.	£ s. d.	£ s. d.	£ s. d.	£ s. d.
In the Mint	90 0 0	* 15,441 18 3	15,531 18 3
In the Colonial Treasury...
Banks.						
New South Wales	802,605 3 3	15,908 1 2	818,513 4 5	611,187 7 3	53,818 18 9	665,006 6 0
Commercial	525,916 16 7	10,725 0 10	536,641 17 5	556,308 10 6	6,267 17 6	562,576 8 0
Australasia	140,517 12 10	428 13 9	140,946 6 7	193,975 9 8	144 11 5	194,120 1 1
Union of Australia	79,830 18 1	79,830 18 1	184,256 2 2	312 15 8	184,568 17 10
Australian Joint Stock	259,214 17 6	11,755 15 5	270,970 12 11	263,335 13 9	11,118 6 6	274,454 0 3
London Chartered	47,405 12 5	47,405 12 5	52,630 0 0	52,630 0 0
English, Scottish, and Australian Chartered	51,802 15 1	51,802 15 1	65,670 8 0	65,670 8 0
Oriental Chartered	78,699 15 7	78,699 15 7	144,358 8 10	9,004 14 3	153,363 3 1
City	158,335 6 11	336 13 0	158,671 19 11	121,156 13 7	5,721 9 7	126,878 3 2
Mercantile	82,785 11 11	82,785 11 11	68,972 3 1	68,972 3 1
General Total	£ 2,227,204 10 2	54,596 2 5	2,281,800 12 7	2,261,850 16 10	86,388 13 8	2,348,239 10 6

* Exclusive of £27,492 12s. 1d. received after the closing of the Mint books on 31st December, but lying in the Mint on that date.

STATISTICS—1878.

237

COIN AND BULLION—*continued.*

No. 112.—DECENNIAL RETURN showing the Amount of COIN and BULLION in the Branch Royal Mint and the Banks, on 31st December, in each Year.

Year.	Branch Royal Mint.		Banks.		Total.	Increase on previous Year.	Decrease on previous Year.
	Coin.	Bullion.	Coin.	Bullion.			
	£ s. d.	£ s. d.	£ s. d.	£ s. d.	£ s. d.	£ s. d.	£ s. d.
1869	48,675 16 11	1,305,789 15 4	37,778 5 10	1,392,243 18 1	987,672 5 10
1870	24,703 4 8	1,352,842 10 8	70,366 12 10	1,447,912 8 2	55,668 10 1
1871	41,937 8 10	{ 2,413,131 16 6 } *12 0 0	67,306 12 7	2,522,387 17 11	1,074,475 9 9
1872	790 0 0	86,271 8 0	2,693,154 5 9	72,831 10 11	2,853,047 4 8	330,659 6 9
1873	804 0 0	98,694 18 4	1,970,074 11 8	39,202 19 8	2,108,776 9 8	744,270 15 0
1874	65 0 0	136,904 8 3	2,283,353 3 4	102,211 7 0	2,522,533 18 7	413,757 8 11
1875	100 0 0	67,383 13 0	2,525,698 1 7	111,826 18 11	2,705,008 13 6	182,474 14 11
1876	100 0 0	85,161 10 11	2,732,103 19 0	62,051 8 6	2,879,416 18 5	174,408 4 11
1877	100 0 0	†34,170 11 6	2,435,126 5 4	106,023 2 4	2,575,419 19 2	303,996 19 3
1878	90 0 0	†15,441 18 3	2,227,114 10 2	39,154 4 2	2,281,800 12 7	293,619 6 7

* In the Colonial Treasury.

† Exclusive of £3,222 12s. 1d. received after the closing of the Mint Books on 31 December.

‡ „ „ £27,492 12s. 1d. „ „ „ „

COINS IN CIRCULATION.

No. 113.

The Coins in circulation are the Coins of Great Britain, as follows:—

Gold:—Sovereign, Half-sovereign. Silver:—Crown, Half-crown, Florin, Shilling, Sixpence, Four-pence, and Three-pence.

Bronze:—Penny, and Half-penny.

AMOUNT OF PAPER CURRENCY IN CIRCULATION.

No. 114.—RETURN showing the Amount of NOTES of the several BANKS in Circulation on 31st December, 1878.

BANKS.	ON 31 DECEMBER, 1878.	AVERAGE OF THE YEAR.
	£ s. d.	£ s. d.
New South Wales	406,408 0 0	389,114 4 0
Commercial	371,637 0 0	336,112 0 0
Australasia	65,479 0 0	62,067 0 0
Union of Australia	25,189 0 0	23,121 0 0
Australian Joint Stock...	209,178 10 0	191,724 14 6
London Chartered	94 0 0	18,156 0 0
English, Scottish, and Australian Chartered	42,991 0 0	45,657 0 0
Oriental Chartered	46,002 0 0	42,456 0 0
City	42,786 10 0	49,738 3 0
Mercantile	7,685 0 0	7,598 17 10
Total	£ 1,238,350 0 0	1,165,744 19 4

BANK LIABILITIES AND ASSETS.

No. 115.—GENERAL ABSTRACT of the Sworn Returns, rendered pursuant to the Act of Council 4th Victoria No. 13, of the AVERAGE ASSETS and LIABILITIES, and of the CAPITAL and PROFITS of the undermentioned BANKS of the Colony, for each Quarter of the Year 1878.

BANKS.	LIABILITIES.						ASSETS.						CAPITAL AND PROFITS.				
	Notes in Circulation.	Bills in Circulation.	Balances due to other Banks.	Deposits not bearing Interest.	Deposits bearing Interest.	Total Liabilities.	Coin.	Bullion.	Landed Property.	Notes and Bills of other Banks.	Balances due from other Banks.	Notes and Bills discounted, and all other Debts due to the Banks.	Total Assets.	Capital paid up.	Rate per Annum of last Dividend.	Amount of Dividend.	Amount of Reserved Profits at the time of declaring such Dividend.
	£ s. d.	£ s. d.	£ s. d.	£ s. d.	£ s. d.	£ s. d.	£ s. d.	£ s. d.	£ s. d.	£ s. d.	£ s. d.	£ s. d.	£ s. d.	£ s. d.	£ s. d.	£ s. d.	£ s. d.
FIRST QUARTER.																	
New South Wales	395372 5 0	3445 5 8	45155 6 9	1764562 2 10	3152455 18 10	5360090 19 1	650972 9 5	49331 4 8	113654 6 1	9321 11 8	2028415 13 11	4060374 17 4	6912070 3 1	1000000 0 0	15 7/8 cent. & bonus of 2 1/2 cent.	87500 0 0	430000 0 0
Commercial	340021 3 4	3478 17 8	32200 1 3	1443992 10 5	2720573 14 11	4540275 7 7	706468 14 5	4723 7 1	78331 4 2	22977 14 6	407051 14 1	4288840 2 10	5599342 17 2	500000 0 0	25 3/4 cent.	62500 0 0	462877 0 5
Australasia	61946 1 8	8626 14 3	308864 17 8	704559 18 4	1083997 11 11	156405 9 7	29104 15 0	3549 10 5	937538 14 5	1126598 9 5	1200000 0 0	12 1/2 cent.	75000 0 0	392701 0 0
Union of Australia	23014 16 8	5658 15 1	167870 16 3	658225 10 8	854769 18 8	189832 3 0	501 5 5	16129 3 4	7577 18 8	672880 0 1	886920 10 6	1250000 0 0	14 3/4 cent. & bonus of 5s. per share.	100000 0 0	556800 0 1
Australian Joint Stock	197696 15 0	5475 19 5	30500 10 4	736455 0 5	1171456 10 0	2141584 15 2	298429 7 3	9104 13 5	58040 4 11	15358 11 8	518557 4 10	1897660 18 9	2798150 5 10	500000 0 0	10 1/2 cent. & bonus of 2s. per share.	31250 0 0	130077 8 0
London Chartered of Australia.	16746 11 6	623 7 4	46 10 10	54614 10 4	363906 16 4	435937 16 4	76228 13 10	23527 15 10	3088 4 8	2009 12 4	451206 0 5	556060 7 1	1000000 0 0	8 3/4 cent.	40000 0 0	169647 6 9
English, Scottish, and Australian Chartered	45970 8 4	5154 13 8	520 10 3	147025 14 8	532998 6 1	731669 13 0	51843 5 4	25727 3 10	461 1 8	7784 19 2	957188 19 8	1043005 9 8	600000 0 0	8 3/4 cent.	24000 0 0	76000 0 0
Oriental Chartered	44521 0 0	3185 5 5	100378 2 0	181326 19 0	743210 7 11	1072621 14 4	157405 11 9	8483 11 5	27357 2 10	2273 0 0	230181 18 2	859015 14 2	1285316 18 4	1500000 0 0	10 3/4 cent.	75000 0 0	500000 0 0
City	52989 7 6	132 7 0	10788 14 4	245261 19 0	784236 18 10	1093409 6 8	122395 18 10	1865 1 0	20000 0 0	1303 4 10	88010 3 10	1141727 4 10	1376701 13 4	240000 0 0	8 3/4 cent.	9600 0 0	34822 6 7
Mercantile Bank of Sydney	8015 18 6	4007 5 0	147732 14 0	566581 11 9	727237 9 3	72958 19 11	876 2 8	50549 19 5	881530 13 1	1005915 15 1	200000 0 0	12 1/2 cent.	12500 0 0	63892 7 0
Totals	£1186294 7 6	35781 5 6	224506 0 9	5197707 4 7	11398205 13 8	18042494 12 0	2483440 13 4	74099 8 1	392830 16 0	66787 0 9	3424361 5 9	16148563 5 7	22590082 9 6	7990000 0 0	517350 0 0	2817817 8 10
SECOND QUARTER.																	
New South Wales	394436 3 10	2717 11 7	46321 17 10	1703629 5 9	3096282 0 8	5243336 19 8	492918 19 6	31802 8 3	115540 17 10	8396 0 0	1984905 18 10	4204723 8 2	6838356 12 7	1000000 0 0	17 1/2 cent.	87500 0 0	440000 0 0
Commercial	337722 19 2	4307 8 5	47717 7 10	1361567 2 4	2801469 13 6	4552784 11 3	579583 1 9	5645 17 5	80265 15 0	23773 6 4	435153 10 11	4449629 18 2	5574051 9 7	500000 0 0	25 3/4 cent.	62500 0 0	488155 8 0
Australasia	59899 10 9	5588 9 5	322125 19 3	681495 4 0	1069109 3 5	223797 2 0	156 6 0	30846 14 0	2174 0 4	977376 4 2	1234350 6 6	1200000 0 0	12 1/2 cent.	75000 0 0	407309 0 0
Union of Australia	22400 11 5	6127 15 0	148905 0 9	662193 17 3	839627 4 5	205643 17 11	130 7 0	16553 11 5	8264 12 11	711290 8 7	941882 17 10	1500000 0 0	16 cent.	100000 0 0	556800 0 1
Australian Joint Stock	192718 0 9	5930 9 4	32751 17 3	700746 12 4	1253741 9 2	2185888 8 10	278542 11 9	14279 16 3	64787 11 0	14830 18 7	480967 0 1	1981314 4 4	2829722 2 0	500000 0 0	12 1/2 cent.	31250 0 0	130077 8 0
London Chartered of Australia.	18134 13 10	393 4 7	570 15 10	44044 0 10	352932 12 11	410075 8 0	35513 16 7	23527 15 10	4844 15 9	2174 13 8	491081 4 9	557142 6 7	1000000 0 0	8 3/4 cent. & bonus of 1 cent.	50000 0 0	176542 8 1
English, Scottish, and Australian Chartered	46052 14 8	3745 12 2	995 18 1	148455 6 8	576917 9 11	776167 1 6	89901 1 6	25216 17 8	883 0 0	3970 14 9	947100 18 9	1067072 12 8	600000 0 0	8 per cent.	24000 0 0	76000 0 0
Oriental Chartered	42923 0 0	3062 14 8	118079 12 9	195263 14 5	758991 18 4	1118321 0 2	203407 7 10	7892 17 3	27419 19 8	2296 0 0	156418 18 2	931316 14 7	1328751 17 6	1500000 0 0	10 3/4 cent.	75000 0 0	325000 0 0
City	53145 4 8	218 16 6	18657 7 9	244417 2 3	809152 10 10	1125591 2 0	124715 3 10	8081 2 3	20000 0 0	1218 7 8	109191 1 1	1143716 7 10	1406922 2 8	240000 0 0	8 3/4 cent.	9600 0 0	34822 6 7
Mercantile Bank of Sydney.	7915 13 10	4985 13 4	129963 13 3	564555 17 7	707420 18 0	60513 17 2	18000 0 0	785 14 4	40953 15 0	901153 1 9	1021406 8 3	250000 0 0	12 1/2 cent.	12500 0 0	63892 7 0
Totals	£1175348 12 11	32092 1 8	270080 10 8	4999117 17 10	11557732 14 2	18034371 17 3	2289536 19 10	67988 14 5	422168 2 5	67466 15 11	3213795 12 6	16738702 11 1	22799658 16 2	8290000 0 0	527350 0 0	2698598 17 9

* Includes Government Securities to the extent of £500,000. b Equal to dividend of 17 1/2 per cent. per annum. c Includes £201,462 18s. 4d., average amount of Government Securities held. d Equal to dividend of 16 per cent. per annum.
 • Equal to a Dividend of 13 1/2 per cent. per annum. f Includes £27,300 of New South Wales Debentures. e Dividend 15 per cent. and bonus 2 1/2 per cent. per annum. h Dividend of £75,000, and a bonus of £12,500.
 i Including £203,289 16s 11d., average amount of Government Securities held. j Dividend 14 per cent. and bonus 5s. per share. k In addition to this sum the reserve funds have been increased since declaration of last dividend £330,000.
 l Dividend of 10 per cent. per annum and bonus of 2s. per share. m Including £42,000, New South Wales Government Debentures.

No. 115 (continued).—GENERAL ABSTRACT OF BANK LIABILITIES AND ASSETS, &c.—continued.

BANKS.	LIABILITIES.						ASSETS.							CAPITAL AND PROFITS.			
	Notes in Circulation.	Bills in Circulation.	Balances due to other Banks.	Deposits not bearing Interest.	Deposits bearing Interest.	Total Liabilities.	Coin.	Bullion.	Landed Property.	Notes and Bills of other Banks.	Balances due from other Banks.	Notes and Bills discounted, and all other Debts due to the Banks.	Total Assets.	Capital paid up.	Rate per Annum of last Dividend.	Amount of Dividend.	Amount of Reserved Profits at the time of declaring such Dividend.
	£ s. d.	£ s. d.	£ s. d.	£ s. d.	£ s. d.	£ s. d.	£ s. d.	£ s. d.	£ s. d.	£ s. d.	£ s. d.	£ s. d.	£ s. d.	£ s. d.		£ s. d.	£ s. d.
THIRD QUARTER.																	
New South Wales	378586 12 2	5519 16 11	26769 12 6	1622016 5 0	3096315 13 10	5129208 5 5	570875 17 9	64723 16 4	116971 2 9	7975 7 2	1903580 7 8	4042563 18 2	6706090 9 10	1000000 0 0	15 3/4 cent. & bonus of 2 1/2 per cent. per annum.	487500 0 0	440000 0 0
Commercial	327029 1 5	3028 16 4	39087 15 3	1293955 9 3	2943501 17 10	4607503 0 1	498318 10 7	6183 16 4	83643 0 10	24708 19 1	371549 14 5	4713957 11 0	5698361 12 3	500000 0 0	25 3/4 cent.	62500 0 0	488155 8 0
Australasia	63405 8 6	5849 14 7	282395 13 2	684441 14 10	1036092 11 1	220910 2 5	167 2 1	29037 12 8	3162 5 9	1028490 12 0	1281767 14 11	1200000 0 0	12 1/2 cent.	75000 0 0	393701 0 0
Union of Australia	22456 19 6	7313 2 10	150652 11 0	691022 14 3	871445 7 7	195396 14 10	47 12 1	17369 4 7	7072 6 5	768862 10 2	989248 8 1	1500000 0 0	14 3/4 cent. & bonus of 2 per cent. per annum.	110000 0 0	897133 6 6
Australian Joint Stock	184652 18 5	5951 10 8	29560 12 9	670554 1 10	1306555 2 11	2197274 6 7	259013 7 0	0961 15 1	69352 3 1	15489 10 9	427715 2 10	2084418 19 7	2365950 18 4	500000 0 0	10 3/4 cent. & an. & bonus of 2s. 4/8 share, equal to 12 3/4 cent.	31250 0 0	137587 16
London Chartered of Australia.	18987 4 3	337 10 5	129 13 8	43735 3 4	351516 8 3	414655 19 11	41103 8 7	23527 15 10	2693 1 10	2972 2 3	497294 12 9	567591 1 3	1000000 0 0	8 3/4 cent. & bonus of 1 per cent.	50000 0 0	176542 8 1
English, Scottish, and Australian Chartered	46478 9 3	3850 4 5	2822 9 5	148522 0 7	602223 16 10	803397 0 6	59250 9 8	25261 4 8	701 10 0	3207 10 7	981699 3 2	1070119 18 1	720000 0 0	8 3/4 cent.	24000 0 0	105000 0 0
Oriental Bank Corporation.	39979 0 0	9416 16 9	88520 12 1	181164 7 11	761392 7 1	1080473 3 10	115871 7 3	8571 11 3	27420 17 11	2057 0 0	230575 17 5	901412 17 3	1294909 11 1	1500000 0 0	10 3/4 cent.	75000 0 0	325000 0
City	48907 12 10	171 15 3	16476 6 8	272614 4 8	815277 16 2	1153507 15 7	127076 18 11	5963 4 4	20114 5 8	1122 17 2	76886 7 4	1208870 10 4	1440034 3 9	240000 0 0	10 3/4 cent.	12000 0 0	45070 8 5
Mercantile Bank of Sydney.	6971 7 0	4541 17 0	112279 19 5	544593 4 5	668386 7 10	71627 2 6	18000 0 0	676 0 0	32391 13 10	908384 4 10	1026079 1 2	275000 0 0	10 3/4 cent.	10416 13 4	89036 19 5
Totals	£ 1137464 13 4	41439 8 2	208808 19 4	4777889 16 2	11796841 1 5	17962448 18 5	2159443 19 6	95618 17 6	431197 8 0	65658 18 2	3057878 16 4	17130954 19 3	22940752 18 9	8435000 0 0	537666 13 4	3097227 7 2
FOURTH QUARTER.																	
New South Wales	388061 4 7	5527 6 2	33264 13 6	1679603 7 1	3113365 4 3	5219821 15 7	729982 2 6	69418 5 8	126994 2 9	4379 12 4	2136795 17 2	3730781 6 5	6798851 6 10	1000000 0 0	15 3/4 cent. and bonus of 2 1/2 cent.	487500 0 0	450000 0
Commercial	339508 15 4	3856 17 9	36597 13 2	1248888 4 10	3050123 6 4	4678974 17 5	440963 15 4	8518 9 0	87306 13 10	20237 16 5	419138 4 7	4765759 18 9	5741824 17 11	500000 0 0	25 3/4 cent.	62500 0 0	510782 13 3
Australasia	63016 16 11	6839 6 0	268709 5 0	700622 18 0	1030188 5 11	174789 4 8	248 8 1	31612 7 10	4103 8 0	998253 7 11	1209011 16 6	1200000 0 0	12 1/2 cent.	75000 0 0	407309 0 0
Union of Australia	24611 16 11	8325 5 2	142997 5 2	716990 0 10	892924 8 1	146151 13 0	571 18 3	24100 0 0	5391 5 7	58 9 3	853480 11 1	1029753 17 2	1467216 0 0	16 3/4 cent.	110000 0 0	794206 6 6
Australian Joint Stock	199194 6 11	7666 7 2	34830 0 4	638993 2 7	1328122 11 0	2208806 8 0	222357 9 3	11036 16 5	70890 5 0	16280 16 11	393608 10 1	2151514 10 1	2865688 7 9	500000 0 0	12 1/2 cent.	31250 0 0	137587 16 9
London Chartered of Australia.	18666 15 8	2524 2 7	118 10 5	53122 3 5	357422 11 8	431854 3 9	60376 1 1	23527 15 10	3168 2 1	3647 13 7	470489 5 4	570208 17 11	1000000 0 0	8 3/4 cent.	40000 0 0	168655 0 5
English, Scottish, and Australian Chartered	44128 16 11	7264 13 8	2115 11 11	155153 1 3	610232 16 5	818895 0 2	61686 15 7	25237 12 8	620 4 7	3420 10 8	1020416 11 8	1111381 15 2	720000 0 0	8 3/4 cent.	24000 0 0	105000 0 0
Oriental Bank Corporation.	42400 0 0	3066 13 10	79562 11 8	215794 4 2	749852 18 5	1090676 8 1	100749 8 7	11070 17 0	27431 14 8	2230 0 0	235707 18 5	925805 18 7	1302995 17 3	1500000 0 0	10 3/4 cent.	75000 0 0	325000 0 0
City	43888 16 2	100 7 7	23735 13 9	260750 19 4	819474 2 0	1147949 18 10	109938 12 9	6207 6 1	20615 7 8	1174 12 4	76653 10 4	1225966 9 8	1440555 18 10	240000 0 0	10 3/4 cent.	12000 0 0	45070 8 5
Mercantile Bank of Sydney.	7492 12 3	1596 14 11	95846 7 8	516388 4 8	621323 19 6	70788 12 10	18000 0 0	630 15 5	45011 15 11	878753 17 9	1013185 1 11	296212 0 0	10 3/4 cent.	10416 13 4	89036 19 5
Totals	£ 1170070 1 8	45170 19 11	211821 9 8	4759858 0 6	11962594 13 7	18150415 5 4	2117683 15 7	107072 0 6	455716 0 3	58216 13 8	3314042 10 0	17030226 17 3	23082957 17 3	8423428 0 0	527666 13 4	3032648 4 9

STATISTICS—1878.

^a Including Government Securities to the amount of £309,714 5s. 8d. ^b Including £203,549 11s. 5d., average amount of Government Securities held. ^c Including New South Wales Government Debentures, £42,000. ^d Dividend, £75,000; bonus, £12,500. ^e Including £200,000, average amount of Government Securities held. ^f Including average amount of New South Wales Government Debentures, £41,968 8s. 1d. ^g To 30th June, 1878 (amount since paid up not yet advised).
^h 10 per cent. per annum and bonus of 2s. er share.

NEW SOUTH WALES SAVINGS' BANK.

No. 116.—RETURN of the NEW SOUTH WALES SAVINGS' BANK, showing the Number of DEPOSITORS, Amount of DEPOSITS, INVESTMENTS, &c., &c., on 31st December, 1878.

Sydney :—	£	s.	d.		£	s.	d.
Amount at credit of 25,906 Depositors...	1,051,516	13	9	Lent on 490 Mortgages, with Interest...	595,232	19	9
				Investment in Interminable Debentures, with Interest at £5 per cent. per annum ...	25,625	0	0
				Investment in Consolidated Revenue Debentures, with Interest at £5 per cent. per annum.	86,305	0	0
Country Districts :—				Investment in Queensland Consolidated Revenue Debentures, with Interest at £6 per cent. per annum ...	51,500	0	0
Amount at credit of 6,738 Depositors ...	281,500	2	7	Deposit with the Bank of New South Wales, with Interest ...	20,983	0	3
	1,333,016	16	4	Ditto (Working Account) ...	25,816	0	6
Drafts drawn by Branch Accountants upon the Office in Sydney, and included in their Returns, but not paid on 31st December, 1878 ...	523	14	2	Deposit with Commercial Bank, with Interest	102,131	14	11
				Deposit with City Bank, with Interest	85,051	8	3
				Deposit with Oriental Bank, with Interest	66,956	9	2
				Deposit with English, Scottish, and Australian Chartered Bank, with Interest	94,582	1	5
Amount at the credit of Reserved Fund ...	144,500	0	0	Deposit with Mercantile Bank, with Interest...	50,599	6	1
				Deposit with Union Bank, with Interest	48,136	15	4
				Deposit with Australian Joint Stock Bank, with Interest	79,435	5	3
Depreciation Account ...	12,536	11	4	Deposit with London Chartered Bank, with Interest	49,113	13	10
				Deposit with Bank of Australasia, with Interest	71,396	3	1
				Deposit with Bank of New Zealand, with Interest	48,480	5	7
Amount at the credit of Profit and Loss Account, carried to next year ...	14,998	16	6	Permanent Investment, Land and Banking House ...	3,000	0	0
				Cash received from Branch Accountants, after 31st December, 1878, but included in their Returns	1,230	14	11
	£1,505,575	18	4		£1,505,575	18	4

Rate of Interest paid to Depositors on amounts not exceeding £100..... { 5 per cent. per annum on accounts closed on 31 Dec.
6 per cent. „ added to accounts open on 31 Dec.
Rate of Interest charged for money lent on Mortgage 5½ and 6 per cent per annum.

NEW SOUTH WALES SAVINGS' BANK—*continued.*

No. 117.—DECENNIAL RETURN showing the Number of DEPOSITORS and the Amount of DEPOSITS in the SAVINGS' BANK OF NEW SOUTH WALES, distinguishing the Number of Depositors and the Amount of Deposits of sums under £20, between £20 and £50, between £50 and £100, between £100 and £200, between £200 and £300, and £300 and upwards.

Year.	Number and Amount of Deposits.													
	£20 and under.		Between £20 and £50.		Between £50 and £100.		Between £100 and £200.		Between £200 and £300.		£300 and upwards.		Total.	
	No.	Amount	No.	Amount.	No.	Amount.	No.	Amount.	No.	Amount.	No.	Amount.	No.	Amount.
		£ s. d.		£ s. d.		£ s. d.		£ s. d.		£ s. d.		£ s. d.		£ s. d.
1869	10,860	75,149 11 10	4,796	152,477 14 8	3,612	255,772 12 8	3,425	384,812 14 2	1,300	30,412 4 7	80	45,566 5 9	22,993	944,191 3 8
1870	11,585	77,298 8 0	4,754	152,054 13 8	3,731	265,948 19 4	3,312	371,561 16 5	1,113	26,274 10 11	75	43,326 2 10	23,570	936,464 11 2
1871	11,274	67,650 10 6	4,846	155,935 0 10	3,778	269,367 0 10	3,344	373,527 13 11	1,200	27,327 3 11	65	37,880 19 10	23,427	931,688 9 10
1872	12,379	70,994 7 0	5,080	163,959 2 10	4,014	286,777 15 8	3,903	434,527 10 10	1,001	24,272 11 0	84	48,206 5 2	25,561	1,028,737 12 6
1873	12,739	73,971 7 2	5,420	174,686 6 1	4,545	325,372 10 11	4,533	503,236 15 0	1,229	30,300 0 6	95	56,993 18 3	27,461	1,164,560 17 11
1874	13,358	74,264 8 9	5,696	184,217 3 5	4,888	350,590 17 6	5,170	571,461 12 9	1,227	31,060 16 0	101	64,307 1 7	29,340	1,275,902 0 0
1875	14,152	79,493 2 3	5,607	185,132 18 2	4,887	350,188 7 2	5,267	582,273 11 2	1,148	34,435 5 7	97	64,273 16 0	30,158	1,295,797 0 4
1876	14,695	81,382 6 9	5,942	192,593 14 8	4,946	355,447 13 2	5,170	570,672 6 5	1,511	35,052 4 10	99	68,664 6 6	31,003	1,303,812 12 4
1877	15,337	83,390 19 9	6,062	205,938 6 2	5,229	373,299 16 5	5,329	576,924 10 7	1,511	35,368 19 1	112	80,335 11 1	32,220	1,355,258 3 1
1878	15,979	90,456 4 1	6,251	200,928 8 0	5,130	366,513 15 9	5,042	560,231 18 8	1,222	28,026 16 10	120	86,859 13 0	32,644	1,333,016 16 4

No. 118.—DECENNIAL RETURN showing the Increase or Decrease of DEPOSITS, and of the Number of DEPOSITORS, with the Number of NEW ACCOUNTS opened, and OLD ACCOUNTS closed, in the NEW SOUTH WALES SAVINGS BANK.

Year.	Amount of Deposits on 1 January.	Increase on previous Year.	Decrease on previous Year.	Number of Depositors on 1 January.	New Accounts opened during the Year.	Old Accounts closed during the Year.	Increase.	Decrease.
	£ s. d.	£ s. d.	£ s. d.					
1869.....	874,921 6 5	163,675 6 8	20,707	7,412	5,216	2,196
1870.....	944,191 3 8	69,269 17 3	22,903	6,538	5,871	667
1871.....	936,464 11 2	7,726 12 6	23,570	6,823	6,966	143
1872.....	931,688 9 10	4,776 1 4	23,427	7,302	5,168	2,134
1873.....	1,028,737 12 6	97,049 2 8	25,561	7,732	5,832	1,900
1874.....	1,164,560 17 11	135,823 5 5	27,461	6,293	4,414	1,879
1875.....	1,275,902 0 0	111,341 2 1	29,340	7,609	6,791	818
1876.....	1,295,797 0 4	19,895 0 4	30,158	7,762	6,817	945
1877.....	1,303,812 12 4	8,015 12 0	31,003	7,996	6,779	1,217
1878.....	1,355,258 1 1	51,445 8 9	32,220	8,423	7,999	424

Amount of deposits on 1 January, 1879, £1,333,016 16s. 4d. Number of Depositors, 32,644.

GOVERNMENT SAVINGS' BANKS.

No. 119.—RETURN showing the Names of the various BRANCHES, the Dates of their ESTABLISHMENT, the Number of ACCOUNTS OPENED, the Number of ACCOUNTS CLOSED, and the Total Number and Amount of DEPOSITS and WITHDRAWALS, during the Year 1878; also, the Amount at the Credit of DEPOSITORS on the 31st December, 1878.

Name of Branch.	Date of establishment.	Number of Accounts open at close of 1877.	Number of Accounts opened during 1878.	Number of Accounts closed during 1878.	Number of Accounts remaining open at close of 1878.	Balance on 31st December, 1877.		Total Deposits, including Interest.		Total Withdrawals.		Balance at credit of Depositors at close of 1878.
						£ s. d.	£ s. d.	Number	Amount.	Number	Amount.	
Sydney (Head Office)	1 Oct., 1871	3,684	2,558	2,082	4,160	180,298 13 9	15,678	142,304 17 2	7,929	143,598 0 4	179,005 15 7	
Shipping Master	1 April, 1876	2	2	60 5 8	6	43 1 6	3	31 0 0	72 7 2	
Aberdeen	11 Dec., 1871	22	5	6	21	776 18 6	14	137 0 5	12	456 11 1	457 7 10	
Adaminaby	12 July, 1875	21	1	6	16	32 15 11	33	11 8 10	9	18 19 2	25 5 7	
Adelong	11 Dec., 1871	71	40	33	78	955 6 3	202	1,000 15 8	67	756 1 5	1,290 0 6	
Albury	1 Oct., 1871	88	38	28	93	805 0 3	221	904 1 10	58	627 12 4	1,081 9 9	
Anvil Creek	1 Mar., 1877	16	18	12	22	260 0 5	59	538 13 10	12	424 11 2	374 3 1	
Ashfield	1 Sept., 1872	12	3	15	25	286 19 4	29	281 15 10	12	165 0 0	400 15 2	
Armidale	1 Oct., 1871	93	93	27	159	2,865 8 3	696	2,200 19 8	59	1,679 15 11	3,886 12 0	
Ashfield	1 Feb., 1875	13	16	3	26	82 12 5	62	245 14 5	12	121 15 4	206 11 6	
Back Creek	1 Mar., 1878	...	11	2	9	8 13 11	14	49 0 1	1	10 0 0	38 14 0	
Balina	1 Sept., 1872	
Balmain	1 Oct., 1871	256	148	85	319	4,256 14 1	994	4,338 18 8	386	4,755 17 5	3,889 15 4	
Bathurst	1 Sept., 1872	257	182	114	325	9,807 1 4	818	6,105 11 2	364	7,327 2 1	8,085 10 5	
Bega	1 Oct., 1871	61	27	17	71	1,269 16 4	111	654 12 2	33	981 5 10	943 2 8	
Berrima	1 Oct., 1871	27	9	8	28	592 3 5	43	277 3 7	14	151 5 11	718 1 1	
Binalong	1 Feb., 1875	
Bingera	
Blayne	1 April, 1878	
Bodalla	12 July, 1875	18	10	9	17	199 1 9	64	359 7 10	21	248 9 4	310 0 3	
Bombala	11 Dec., 1871	31	6	5	32	1,115 15 3	27	673 15 11	14	558 6 10	1,131 4 4	
Botany	1 Sept., 1874	55	17	23	49	359 0 6	200	151 1 10	31	301 11 4	209 0 0	
Bourke	1 Sept., 1874	29	9	8	30	345 10 2	53	229 1 11	11	282 2 5	292 9 8	
Bowenfels	1 Feb., 1875	
Braidwood	1 Oct., 1871	108	27	20	110	3,175 17 8	195	1,382 16 3	72	1,897 19 1	2,690 14 10	
Branxton	1 Sept., 1874	13	9	4	18	170 0 8	81	427 18 7	7	312 7 3	285 12 0	
Bulahdelah	1 Mar., 1878	
Bulli	4 June, 1877	21	46	13	54	457 11 7	160	1,642 4 6	42	746 19 5	1,352 6 8	
Bundarra	1 Jan., 1874	25	1	3	23	313 18 5	7	63 7 9	4	132 16 2	244 10 0	
Burrowa	12 July, 1875	30	5	6	29	731 0 7	55	278 16 10	20	508 12 9	506 4 8	
Burwood	1 Sept., 1872	38	35	13	60	382 8 8	134	742 11 8	45	460 14 1	664 6 3	
Camden	1 Oct., 1871	147	27	37	137	3,160 16 1	250	1,905 7 0	81	1,804 14 6	2,570 8 7	
Campbelltown	11 Dec., 1871	54	20	10	64	1,097 17 3	146	538 2 3	25	575 15 9	1,060 3 9	
Camperdown	12 July, 1875	2	10	4	8	6 7 2	42	120 13 1	16	73 7 2	59 13 1	
Cannondar	12 July, 1875	4	1	2	3	276 3 10	4	24 17 7	4	235 7 3	65 14 2	
Carcoar	1 Sept., 1872	28	17	10	35	1,146 9 8	67	713 4 4	25	1,114 4 11	745 9 1	
Casino	1 Feb., 1875	16	6	7	15	471 19 1	26	246 0 5	15	458 15 3	259 4 3	
Cassilis	1 Sept., 1872	87	10	23	74	3,077 6 2	87	906 12 10	55	1,531 7 0	2,452 12 0	
Chatsworth Island	4 June, 1877	12	18	5	25	207 17 2	57	457 11 10	14	274 5 5	391 3 7	
Cobargo	2 Dec., 1878	
Condobolin	1 Oct., 1871	75	25	12	82	1,146 15 3	120	736 17 2	37	645 5 4	1,240 7 1	
Cooma	12 July, 1875	22	6	11	17	282 11 2	19	96 19 7	17	307 2 2	72 8 7	
Coonabarabran	1 Mar., 1877	53	47	33	67	1,173 1 6	236	1,550 9 2	94	1,161 18 8	1,561 12 0	
Coorambong	1 Sept., 1874	31	11	9	33	1,229 8 7	42	679 12 1	33	761 7 0	1,147 13 8	
Cootamundra	1 Sept., 1872	33	6	7	32	709 8 10	42	312 1 7	22	410 0 10	611 9 7	
Cow Flat	11 Dec., 1871	72	61	40	93	758 12 11	280	1,074 16 7	70	911 4 8	922 4 10	
Cowra	1 Jan., 1874	21	2	1	22	379 15 3	21	228 8 7	9	170 19 4	437 4 6	
Deniliquin	11 Dec., 1871	26	23	8	41	354 19 4	77	1,015 4 5	29	444 11 4	925 12 5	
Denman	1 Sept., 1874	16	7	5	13	387 9 10	28	221 18 6	9	141 15 9	467 12 7	
East Maitland	1 Oct., 1871	25	27	12	40	816 17 4	153	878 8 6	33	300 8 5	1,394 17 5	
Eden	1 Jan., 1874	25	4	2	25	334 8 0	44	98 18 10	9	61 6 3	342 0 7	
Esk Bank	2 Dec., 1878	
Ferrymount	1 Sept., 1872	45	35	3	77	952 14 4	91	1,392 10 7	27	628 14 7	1,716 10 4	
Forbes	11 Dec., 1871	84	34	22	96	1,401 0 3	151	721 19 5	58	668 2 9	1,454 16 11	
Geranton	12 July, 1875	3	
Gladstone	1 Sept., 1872	18	11	6	23	733 10 1	30	526 0 10	11	452 11 9	806 19 2	
Glebe	1 Oct., 1871	19	47	26	40	138 14 10	186	496 17 8	72	319 19 2	315 13 4	
Glen Innes	1 Sept., 1874	61	37	30	68	858 7 2	160	1,015 3 5	58	936 7 4	937 3 3	
Gosford	12 Dec., 1878	
Goulburn	1 Oct., 1871	159	84	55	188	6,720 3 11	473	4,143 8 8	168	4,613 12 5	6,255 0 11	
Grafton	15 Jan., 1872	58	28	30	56	1,981 15 0	97	1,095 1 9	64	1,093 14 1	1,978 2 8	
Grenfell	...	88	14	25	77	1,749 11 11	88	813 18 6	54	1,230 11 5	1,332 19 0	
Gulgong	...	69	16	19	66	1,678 8 4	110	582 6 1	55	806 5 8	1,454 8 9	
Gundagai	11 Dec., 1871	35	15	12	38	659 11 8	56	342 12 1	25	546 16 3	455 7 6	
Gunnedah	12 July, 1875	27	8	8	27	466 18 6	32	362 6 1	13	338 8 1	490 16 6	
Hay	1 June, 1876	110	74	66	118	1,431 12 5	331	1,812 10 8	100	2,244 18 4	999 4 9	
Haymarket	1 Mar., 1877	367	647	343	671	8,988 7 8	3,578	21,473 5 10	1,140	14,820 4 6	15,641 9 0	
Hexham	1 Feb., 1875	7	2	...	9	265 12 7	17	143 12 10	7	103 5 8	305 19 0	
Hill End	1 Jan., 1874	140	48	42	146	4,300 10 1	255	2,642 17 9	203	2,494 16 1	4,448 11 9	
Home Rule	1 Sept., 1874	14	10	8	16	298 16 11	37	445 3 2	32	312 0 7	431 19 6	
Inverell	1 Sept., 1874	72	42	23	92	1,208 10 5	150	956 4 8	61	768 15 2	1,395 19 11	
Kempsey	1 Feb., 1875	9	12	5	16	195 13 3	37	513 11 6	14	238 1 5	471 3 4	
Kiama	1 Oct., 1871	100	24	25	99	2,382 5 9	261	848 3 3	69	1,364 12 6	1,865 16 6	
King-street	11 Mar., 1878	
Lambton	1 Sept., 1874	69	37	30	76	2,120 13 4	219	1,662 4 4	94	1,655 8 2	2,127 9 6	
Lidsdale	12 July, 1875	16	5	2	19	423 16 10	52	258 8 0	8	152 5 10	529 19 0	
Lismore	25 Feb., 1875	25	19	5	39	302 9 10	174	509 6 5	24	291 12 6	520 3 9	
Lithgow	1 Feb., 1875	80	32	31	81	2,023 14 5	131	1,327 2 1	77	1,567 1 6	1,733 15 0	
Liverpool	1 Oct., 1871	66	39	21	84	1,695 5 3	271	1,685 17 3	80	1,125 5 0	2,255 17 6	
Lochinvar	12 July, 1875	4	2	1	5	118 0 3	13	73 13 11	7	110 16 9	80 17 5	
Major's Creek	1 Feb., 1875	14	6	6	14	66 7 5	18	104 2 11	13	89 5 1	81 5 3	
Manly	...	48	38	30	56	144 4 5	174	390 13 8	58	295 12 8	239 5 5	
Marulan	10 April, 1875	29	11	4	36	433 2 4	65	602 8 1	27	298 13 4	741 17 1	
Merimbula	1 Jan., 1874	27	5	10	22	659 13 6	47	260 7 3	24	464 2 8	455 18 1	
Merriwa	1 Sept., 1874	9	2	5	6	129 8 2	9	19 18 6	9	129 10 4	19 16 4	
Miller's Point	6 Feb., 1878	...	129	52	77	...	626	1,164 8 7	158	554 10 9	609 17 10	
Milton	1 Jan., 1874	41	8	6	43	367 1 9	66	149 17 10	15	151 14 10	365 4 9	
Minmi	1 June, 1876	38	44	15	67	380 18 7	216	1,634 5 8	52	683 18 5	1,831 5 10	
Mittagong	1 Sept., 1872	104	27	22	109	3,015 2 2	145	1,089 18 5	63	1,539 6 6	2,565 14 1	
Molong	1 Oct., 1871	38	12	13	37	859 11 10	63	357 10 0	24	378 0 4	839 1 6	
Morpeth	...	124	25	35	114	3,589 13 4	188	1,470 1 5	90	2,004 1 8	3,005 13 1	
Moruya	1 Jan., 1874	45	27	13	59	1,024 19 0	125	884 19 3	4			

STATISTICS—1878.

243

No. 119 (continued)—GOVERNMENT SAVINGS' BANKS—continued.

Name of Branch.	Date of establishment.	Number of Accounts open at close of 1877.	Number of Accounts opened during 1878.	Number of Accounts closed during 1878.	Number of Accounts remaining open at close of 1878.	Balance on 31st December, 1877.	Total Deposits, including Interest.		Total Withdrawals.		Balance at credit of Depositors at close of 1878.
							Number	Amount.	Number	Amount.	
						£ s. d.	£ s. d.		£ s. d.		£ s. d.
Newtown	1 Oct., 1876	718	268	202	784	8,304 18 0	2,190	7,279 17 0	608	6,246 8 3	9,338 6 9
Numba	12 July, 1875	22	9	3	28	232 11 3	37	284 18 9	14	65 0 1	452 9 11
Nundle	1 Sept., 1874	45	7	6	46	1,052 3 9	21	315 4 3	17	427 0 10	940 7 2
Orange	11 Dec., 1871	197	171	102	266	4,793 13 1	799	5,331 7 9	286	4,153 10 10	5,971 10 0
Oxford-street	11 Aug., 1873	1,008	661	464	1,205	22,147 18 8	5,201	22,057 18 0	1,752	20,373 16 5	23,832 0 3
Paddington	" "	269	129	73	325	4,198 10 3	1,273	5,173 2 9	350	4,362 13 10	5,003 19 2
Parkes	1 Jan., 1874	79	19	23	75	1,328 13 11	178	903 8 0	64	870 0 11	1,362 1 0
Park-street	20 May, 1878	135	47	88	488	1,665 19 5	110	644 16 2	1,021 3 3
Parramatta	1 Oct., 1871	142	98	66	174	3,618 5 7	649	2,748 17 7	182	2,520 15 8	3,846 7 6
Parramatta-street	11 Aug., 1873	437	310	230	517	10,137 6 7	2,394	9,039 10 3	797	9,243 6 9	9,933 10 1
Paterson	12 July, 1875	11	11	3	19	221 4 11	21	169 8 2	9	144 13 7	245 19 6
Penrith	1 Oct., 1871	92	19	28	83	3,319 13 1	177	1,001 3 2	65	2,078 8 1	2,242 8 2
Petersham	1 Feb., 1875	63	59	13	109	677 13 1	285	1,107 4 0	61	558 6 10	1,226 10 3
Picton	1 Sept., 1874	59	36	14	81	1,137 6 10	150	1,520 9 0	48	1,106 11 11	1,551 3 11
Port Macquarie	11 Dec., 1871	120	41	25	136	6,211 0 7	206	3,232 7 9	98	3,934 19 3	5,558 9 1
Pymont	1 Oct., 1871	36	33	23	51	459 0 8	386	834 13 9	72	652 13 1	640 16 4
Queanbeyan	11 Dec., 1871	42	25	9	58	516 1 6	263	310 10 11	37	486 19 5	339 13 0
Raymond Terrace	1 Sept., 1872	79	20	17	82	1,836 11 0	113	1,194 3 2	47	1,238 12 11	1,742 1 3
Redfern	1 Oct., 1871	257	183	115	325	3,303 4 7	1,416	4,523 0 1	363	3,503 3 6	4,323 1 2
Richmond	11 Dec., 1871	71	47	18	100	623 13 10	171	979 19 6	54	573 12 1	1,025 1 3
Rookwood	12 July, 1875	18	3	6	16	50 15 5	18	13 4 6	6	33 5 6	30 14 5
Rydal	1 Jan., 1874	53	12	11	54	2,311 7 7	89	896 6 4	34	676 16 3	2,440 17 8
Ryde	1 Feb., 1875	28	21	3	46	623 6 8	80	572 5 5	29	734 2 5	461 9 8
Rylstone	2 June, 1873	10	3	1	12	125 13 11	5	14 0 8	7	84 17 7	55 2 0
St. Leonards	1 Feb., 1875	181	115	84	212	2,222 1 3	923	2,223 3 2	211	2,064 10 7	2,380 13 10
St. Mary's	1 Sept., 1876	13	6	2	17	181 10 3	24	109 8 6	11	169 17 1	121 1 8
Scone	11 Dec., 1871	15	2	4	13	398 7 7	13	95 15 0	14	269 12 0	224 10 7
Singleton	1 Oct., 1871	273	65	74	264	3,662 18 10	591	2,512 6 4	165	2,668 0 1	3,507 5 1
Sofala	1 Sept., 1874	47	10	2	55	1,067 0 1	74	417 10 7	13	166 12 3	1,317 18 5
Stroud	1 Feb., 1875	29	17	7	39	696 15 7	110	1,457 7 6	15	765 19 4	1,883 3 9
Tamworth	11 Dec., 1871	124	95	56	163	1,691 16 5	420	3,101 6 10	168	1,942 15 2	2,850 8 1
Taree	1 Feb., 1875	40	16	9	47	652 10 0	56	599 4 3	19	344 3 0	907 11 3
Tenterfield	1 Sept., 1874	40	13	12	41	663 1 8	49	200 11 1	34	299 13 0	563 19 9
Terara	" 1872	121	23	23	121	3,978 11 6	139	1,335 7 0	82	1,571 0 0	3,742 18 6
Trunkay Creek	1 Feb., 1875	10	5	5	10	230 11 4	12	198 6 2	11	166 7 2	262 10 4
Tumut	" "	22	16	2	36	293 12 6	84	461 4 8	3	105 16 8	649 0 6
Tweed Junction	1 Sept., 1874	13	8	8	13	233 6 11	28	113 11 4	11	179 7 9	167 10 6
Ulladulla	" 1872	21	21	337 5 3	15	38 7 9	5	71 10 0	304 3 0
Ulmara	12 July, 1875	15	8	7	16	274 16 5	22	204 8 6	14	196 0 0	283 4 11
Uralla	1 Mar., 1878	5	5	12	22 18 1	22 18 1
Vegetable Creek	1 Sept., 1874	85	24	24	85	3,292 6 6	101	1,266 0 2	50	1,647 8 0	2,910 18 8
Wagga Wagga	11 Dec., 1871	137	104	64	177	2,167 16 1	358	2,836 7 11	136	1,805 9 8	3,193 14 4
" Railway Station	2 Dec., 1878	4	4	4	46 4 0	46 4 0
Wallsend	1 Sept., 1874	103	43	37	109	2,790 4 6	226	1,442 16 4	108	1,701 0 8	2,532 0 2
Waratah	11 Dec., 1871	43	9	17	35	1,208 18 9	66	473 11 4	35	992 16 5	689 13 8
Wardell	1 Jan., 1876	20	13	7	26	122 3 6	44	226 3 10	17	300 9 3	47 18 1
Warialda	1 Sept., 1874	4	7	7	4	61 11 9	10	169 7 10	10	187 5 6	43 14 1
Watson's Bay	1 Feb., 1875	17	27	29	15	42 7 8	100	147 11 11	39	134 2 7	55 17 0
Waverley	1 Aug., 1876	43	46	29	60	200 10 11	207	867 0 3	78	458 8 9	609 2 5
Wee Waa	11 Dec., 1871	31	7	8	30	510 9 1	18	157 15 0	13	386 13 4	281 10 9
Wellington	2 June, 1873	43	30	23	50	1,129 10 9	81	625 7 11	48	1,143 6 1	611 12 7
West Kempsey	1 Sept., 1874	29	11	5	35	308 10 7	41	327 1 9	12	325 3 9	310 8 7
West Maitland	1 Oct., 1871	71	40	33	78	2,841 19 0	241	1,600 12 4	87	2,192 14 0	2,249 17 4
William-street	11 Aug., 1873	738	450	327	861	15,783 7 8	3,785	12,756 15 6	1,037	12,196 7 4	16,343 15 10
Windsor	1 Oct., 1871	33	7	15	25	2,876 4 2	29	209 9 1	29	1,966 0 4	1,119 12 1
Wingham	11 Dec., 1871	14	4	2	16	713 3 8	16	175 2 6	9	206 5 9	682 0 5
Wollombi	" "	16	5	11	926 4 10	11	136 2 10	13	414 19 2	647 8 6
Wollongong	1 Oct., 1871	108	75	47	136	5,298 5 9	283	2,240 18 3	132	3,873 2 1	3,666 1 11
Woollahra	8 Feb., 1872	103	38	22	119	976 4 6	262	921 9 9	74	686 7 3	1,211 7 0
Woonona	11 Dec., 1871	114	25	29	110	4,695 5 2	218	2,408 3 7	98	3,107 18 3	3,995 10 6
Yass	1 Sept., 1872	130	45	29	146	3,237 16 0	228	1,296 17 7	90	1,633 9 8	2,901 3 11
Young	11 Dec., 1871	164	59	46	177	3,017 13 0	277	1,987 3 8	112	1,815 13 3	3,189 3 5
General Total	16,065	9,853	6,961	18,957	467,452 10 10	59,932	377,704 8 4	22,596	365,132 1 9	480,024 17 5

GOLD RECEIVED AND ISSUED AT THE MINT.

No. 120.—RETURN of the Weight and Value of GOLD Received for Coinage, of the Value of Gold Coin and Gold Bullion issued, and of the Revenue derived from Mint Charges, &c., from the opening of the MINT, on the 14th May, 1855, to the 31st December, 1878, inclusive.

Year.	Gold received for Coinage.		Gold Coin and Gold Bullion issued.						Revenue.					
	Gross Weight.	Value at £3 17s. 10½d. per oz. standard.	Gold Coin.			Gold Bullion.			Total Value of Gold Coin and Bullion.	From Mint Charges.		From Silver.	From other sources.	Total.
			Sovereigns.	Half-sovereigns.	Total.	Weight.	Value.	On New South Wales Gold.		On Foreign Gold.				
	ozs.	£ s. d.	£	£	£	ozs.	£ s. d.	£ s. d.	£ s. d.	£ s. d.	£ s. d.	£ s. d.	£ s. d.	£ s. d.
1855 to 1868...	6,820,197'92	26,725,562 19 11	23,495,500	1,552,500	25,048,000	411,426'833	1,647,156 3 4	26,695,156 3 4	185,370 14 8	69,264 2 9	2 16 7	27,290 6 5	281,928 0 5	
1869 ...	346,003'94	1,323,487 8 3	1,202,000	77,000	1,279,000	9,936'444	40,388 2 2	1,319,388 2 2	6,601 13 1	3,023 3 11	4,131 9 4	1,531 19 11	15,288 6 3	
1870 ...	317,527'96	1,218,730 4 8	1,220,000	1,220,000	5,983'456	23,298 1 9	1,243,298 1 9	2,718 17 6	2,911 3 9	1,322 3 4	11,559 13 6		
1871 ...	778,627'29	2,887,601 16 5	2,814,000	2,814,000	14,489'542	56,418 13 1	2,870,418 13 1	7,316 18 3	7,053 8 5	2,399 16 8	2,117 11 5	18,887 14 9	
1872 ...	558,342'45	2,063,774 12 10	1,815,000	178,000	1,993,000	25,355'527	98,728 2 1	2,091,728 2 1	9,539 19 5	3,276 17 4	2,093 6 7	2,879 1 3	17,789 4 7	
1873 ...	436,624'91	1,611,940 17 1	1,478,000	1,478,000	13,088'428	50,963 1 5	1,528,963 1 5	7,234 10 10	2,489 3 6	996 9 5	1,666 15 0	12,386 18 9	
1874 ...	551,046'65	2,073,666 19 11	1,899,000	126,000	2,025,000	2,982'124	11,611 12 8	2,036,611 12 8	6,725 6 9	4,538 8 8	1,096 13 11	1,753 18 10	14,114 8 2	
1875 ...	547,484'68	2,061,070 16 5	2,122,000	2,122,000	1,673'786	6,517 6 0	2,128,517 6 0	5,714 15 10	4,297 14 8	2,111 5 6	1,441 15 11	13,565 11 11	
1876 ...	431,905'27	1,605,557 19 8	1,613,000	30,000	1,643,000	2,129'789	8,292 17 4	1,651,292 17 4	3,941 8 10	3,687 10 5	1,179 10 10	1,687 14 1	10,466 4 2	
1877 ...	438,385'50	1,608,248 2 8	1,590,000	1,590,000	1,709'643	6,656 18 7	1,596,656 18 7	3,316 9 11	3,691 11 8	2,612 3 4	1,282 14 9	10,902 19 8	
1878 ...	365,173'89	1,308,898 1 5	1,259,000	63,000	1,322,000	1,584'683	6,276 5 8	1,328,276 5 8	2,944 3 9	2,888 18 11	2,012 3 2	1,964 14 2	9,810 0 0	
Grand Total...	11,591,320'46	44,488,539 19 3	40,507,500	2,026,500	42,534,000	490,360'255	1,956,307 4 1	44,490,307 4 1	243,313 10 3	106,929 17 9	21,546 19 1	44,938 15 1	416,729 2 2	

Year.	Countries in which the Gold was produced.									
	New South Wales.	Queensland.	New Zealand.	Victoria.	Tasmania.	South Australia.	New Caledonia.	Other Countries.	Coin.	Total.
1855 to 1868 ...	ozs. 4,084,006'82	229,536'41	1,256,563'58	1,225,872'64	2,187'90	2,487'05	19,543'52	6,820,197'92
1869 ...	£ 15,693,365 6 8	847,910 7 2	5,040,300 14 10	5,052,124 8 3	8,268 14 11	9,084 7 9	74,509 0 4	26,725,562 19 11
1870 ...	ozs. 179,549'24	97,469'31	64,698'76	203'73	4,082'90	346,003'94
1871 ...	£ 694,022 7 4	345,153 3 8	267,831 14 9	810 0 3	15,670 2 3	1,323,487 8 3
1872 ...	ozs. 143,709'44	85,337'76	53,090'39	31,603'23	3,787'14	317,527'96
1873 ...	£ 552,743 16 8	301,719 14 2	218,754 16 3	131,055 16 9	14,456 0 10	1,218,730 4 8
1874 ...	ozs. 242,596'91	143,375'34	237,119'18	148,701'17	1,104'74	353'65	5,376'30	778,627'29
1875 ...	£ 935,040 17 11	469,614 19 7	857,201 1 5	599,667 6 4	4,239 1 11	1,316 17 11	20,521 11 4	2,887,601 16 5
1876 ...	ozs. 331,273'19	133,981'05	55,980'16	30,960'64	2,202'79	2,425'54	1,519'08	558,342'45
1877 ...	£ 1,278,127 4 11	457,169 6 11	184,225 15 11	120,750 11 1	8,715 2 1	8,985 18 9	5,800 13 2	2,063,774 12 10
1878 ...	ozs. 259,579'77	151,096'31	23,208'82	197'02	1,978'22	564'77	436,624'91
1879 ...	£ 997,214 18 11	517,383 7 11	87,792 4 11	760 0 7	7,099 4 0	1,691 0 9	1,611,940 17 1
1880 ...	ozs. 233,216'59	293,554'16	23,369'27	51'04	75'99	443'90	335'70	551,046'65
1881 ...	£ 895,147 10 3	1,088,612 6 3	86,936 4 1	203 6 7	267 3 0	1,214 16 0	1,285 13 9	2,073,666 19 11
1882 ...	ozs. 226,985'50	297,441'20	21,984'98	60'08	156'19	856'73	547,484'68
1883 ...	£ 872,161 17 11	1,104,874 17 2	79,926 17 3	243 13 6	588 13 6	3,274 17 1	2,061,070 16 5
1884 ...	ozs. 153,531'48	262,177'11	14,245'62	211'02	429'92	1,310'12	431,905'27
1885 ...	£ 575,564 19 3	967,967 1 1	54,783 13 5	739 15 10	1,494 15 9	5,007 14 4	1,605,557 19 8
1886 ...	ozs. 121,593'38	310,246'68	1,674'00	132'74	822'15	373'95	3,542'60	438,385'50
1887 ...	£ 459,201 4 4	1,126,315 2 6	4,655 12 3	225 13 4	2,806 17 5	1,326 10 5	13,717 2 5	1,608,248 2 8
1888 ...	ozs. 107,347'97	234,722'65	16,008'97	72'34	27'21	464'57	2,338'84	253'69	3,937'65	365,173'89
1889 ...	£ 382,741 2 7	838,880 0 6	61,439 9 6	142 7 10	101 8 8	1,522 7 6	7,911 4 7	933 12 7	15,226 7 8	1,308,898 1 5
Grand Total ...	ozs. 6,083,390'29	2,238,937'98	1,767,943'73	1,437,657'61	5,719'66	1,729'92	8,344'02	2,740'74	44,856'51	11,591,320'46
	£ 23,335,331 6 9	8,065,600 6 11	6,943,848 4 7	5,905,223 3 11	22,084 8 2	5,924 17 3	29,349 7 5	10,018 0 4	171,160 3 11	44,488,539 19 3

RAILWAYS.

No. 121.—RETURN showing the EARNINGS and EXPENDITURE of the GREAT SOUTHERN, WESTERN, AND RICHMOND, and GREAT NORTHERN RAILWAYS, during the Year 1878.

Lines and Months.	Total Length of Lines in Miles.	Number of Passengers carried.																		Amount for Coaching.	Tonnage of Goods.	Amount for Goods.	Miscellaneous Receipts.	Total Earnings.	Expenditure for Working Expenses.	Net Earnings over Working Expenses.
		Season-ticket Holders.										Other Passengers.														
		Monthly.		Quarterly.		Half-yearly.		Yearly.		Total.		Total No. of Passengers.	First Class.		Second Class.		General Total.									
		1st Class.	2nd Class.	1st Class.	2nd Class.	1st Class.	2nd Class.	1st Class.	2nd Class.	1st Class.	2nd Class.		Single.	Return.	Single.	Return.		Total.								
S. W. & R.		No.	No.	No.	No.	No.	No.	No.	No.	No.	No.	No.	No.	No.	No.	No.	No.	No.	No.	£ s. d.	tons cwt. q. lbs.	£ s. d.	£ s. d.	£ s. d.	£ s. d.	£ s. d.
January	501	4650	15128	9610	21390	7006	7192	4538	2790	25854	46500	72354	10833	23932	39210	94826	168851	241205	21849 5 5	36164 4 3	33541 18 7	70 15 9	55461 19 9	19292 18 11	36169 0 10	
February		3920	14672	9556	21896	6552	7224	4200	2632	24528	46424	70952	6320	19024	23028	85278	133650	204602	16378 7 9	30148 18 2	28063 10 7	27 2 1	44469 0 5	29902 3 4	14566 17 1	
March		4402	18352	11656	25978	7638	7936	4538	2852	28334	55118	83452	7846	25618	27964	111628	173056	256508	19028 19 1	36773 6 0	31965 0 1	21 19 9	51015 18 11	30772 4 7	20243 14 4	
April		4680	17340	12300	26160	7500	7560	4560	2880	29040	53940	82980	12743	29206	36277	117728	195954	278934	26018 3 9	35648 9 1	30780 13 9	839 13 0	57638 10 6	30585 6 2	27053 4 4	
May		5580	17298	12896	26784	7626	8184	4960	3162	31062	55428	86490	10786	31150	33781	117840	193057	279547	21441 15 9	42983 3 1	38561 2 8	17 9 9	60020 8 2	34311 14 7	25708 13 7	
June		6000	17520	12780	26700	7560	8040	4860	3120	31200	55380	86580	10536	28948	26154	108826	169625	256205	21441 15 9	44927 0 1	33075 6 9	158 9 6	50027 5 9	35273 5 6	14754 0 3	
July		6014	17670	14012	28024	7936	8432	5208	3286	33170	57412	90582	7966	27078	27881	116794	178719	269301	17861 17 2	46834 19 0	33959 8 9	155 9 11	51976 15 10	35575 12 3	16401 3 7	
August		5034	19840	15066	29574	8060	7936	4960	3286	33170	60636	98906	7507	28788	28775	124224	189294	283100	18527 16 6	46757 2 10	32431 2 9	28 1 2	50987 0 5	35001 1 8	15985 18 9	
September		5530	20280	14880	29830	7980	8040	4980	3300	33420	61500	94920	7497	26004	28734	114032	176267	271137	19028 11 8	33293 12 10	28733 15 0	72 8 0	47334 15 6	35640 1 1	12194 14 5	
October		5332	22692	16616	31930	8184	7564	5208	3472	35340	65658	100998	7995	30890	29533	122204	190672	291670	19418 0 5	46345 13 2	42488 8 0	13 9 9	61919 18 2	32730 7 6	29189 10 8	
November		6000	21060	14580	29580	8280	6900	4980	3120	33840	60667	94500	9583	26844	35887	113070	185484	279984	19057 13 6	43181 2 0	41222 9 10	19 10 8	60899 14 0	35933 13 6	24965 15 6	
December		6882	21018	14880	28086	8308	7254	5146	3100	35216	59453	94674	13713	30230	48969	121524	214436	300110	24416 5 6	40695 3 2	43264 6 11	136 0 9	67798 13 2	46628 19 2	21169 14 0	
Total	501	64124	222870	159132	325982	92680	92262	52328	37000	374174	678114	1052238	110536	325712	386343	1346474	2169065	3221353	239820 6 0	488052 16 1	418669 3 8	1560 10 11	660050 0 7	401647 13 3	258402 7 4	
NORTH.																										
January	187½	186	434	744	2046	248	310	194	62	1902	2852	4154	2818	3330	9386	27870	43404	47558	6065 6 10	74192 13 2	13665 18 6	6 7 2	19637 12 6	5997 4 4	13640 8 2	
February		112	672	896	2016	224	336	224	..	1456	3024	4480	1640	2472	7351	14002	25445	29025	4312 3 1	79077 12 0	8 7	..	15013 19 10	10245 4 1	4768 15 9	
March		124	632	992	2666	248	372	248	..	1612	3720	5382	1823	2754	8546	16676	29799	35131	4955 1 3	88912 16 2	6 6	11 4 4	18397 11 7	9571 19 7	3825 12 0	
April		300	840	1080	2650	180	420	240	..	1800	3840	5640	3444	2930	12671	23112	41517	47157	6324 13 11	101470 6 3	12 6	22 12 7	19625 6 11	11086 19 5	8538 7 6	
May		186	992	992	2852	248	434	248	..	1674	4278	5952	2767	3016	12531	15624	33983	39940	5921 13 4	118360 2 2	25	..	20265 7 0	10630 18 5	9634 8 7	
June		540	840	900	2650	240	420	240	..	1920	3840	5760	2176	3202	8017	16374	29769	35529	4700 3 2	102879 10 3	26	..	16769 10 9	12609 2 2	4160 8 7	
July		372	992	744	2914	310	372	248	..	1674	4278	5952	2178	3424	8021	15452	29078	35027	4742 19 9	103240 13 1	16	7 2 1	18783 11 1	10888 7 0	7995 4 1	
August		496	992	744	3534	310	310	248	..	1798	4836	6634	2492	3244	8978	19566	34330	40914	5465 4 4	98172 7 1	11	18 9 11	22906 12 1	11983 9 2	10323 2 11	
September		420	1200	720	3600	300	300	180	..	1620	5100	6720	1945	3536	8012	16454	23947	36667	4637 7 11	86036 3 1	8	..	17679 12 8	11548 5 8	6181 7 0	
October		310	992	806	3844	310	248	186	..	1012	5084	6696	2160	3024	8763	20490	35037	41733	5665 17 7	90417 8 0	20	..	23105 10 10	10555 13 4	12549 17 6	
November		540	1020	960	3780	300	240	240	..	2040	5040	7080	2358	3454	12469	16532	34843	41923	5893 5 10	79907 6 0	20	..	25090 1 6	12873 10 8	12211 10 10	
December		620	806	992	3596	310	248	248	..	2170	4650	6820	2410	5006	10212	28428	46056	52876	7265 1 4	83263 13 1	9	47 17 5	26264 4 3	17345 0 7	3919 3 8	
Total	187½	4206	10462	10570	36008	3228	4010	2674	62	20678	50542	71220	28241	39352	114987	230580	413160	484380	65888 18 4	1106930 14 3	0	113 13 6	242939 1 0	135340 14 5	107598 6 7	
General Total	688½	68330	233332	169702	361990	95908	96272	60912	37062	394852	728656	1128508	138777	365064	501330	1577054	2582225	3705733	305709 4 4	1594983 11 0	12	1674 4 5	902989 1 7	536988 7 8	366000 13 11	

No. 122.—DECENNIAL RETURN showing the EARNINGS and EXPENDITURE of the several Lines of Railway.

Year.	Number of Lines.	Average Number of Miles open for Traffic.	Number of Passengers carried.								Amount for Coaching.	Rents and Miscellaneous Receipts.	Total.	Tonnage of Goods.	Amount for Goods.	Total Earnings.	Total Amount for Working Expenses.
			First Class.		Second Class.		Season-ticket Holders.		Total.								
			Single.	Return.	Single.	Return.	First Class.	Second Class.									
1869	4	279	32408½	44065	238354	444808	69090	154338	938063½	106092 12 6	£ s. d.	£ s. d.	£ s. d.	tons cwt. qrs. lbs.	£ s. d.	£ s. d.	£ s. d.
1870	4	329	34043½	48756½	234408	459499½	82194	198466	1057367½	109850 12 2	3334 9 3	109427 1 9	714113 16 3	25	155547 17 3	264974 19 0	176362 2 4
1871	4	350	38042½	55603½	247391½	418024½	89996	218628	125881 7 1	3613 18 11	8003 4 1	117853 16 3	766523 1 3	15	189288 7 7	307142 3 10	206003 1 10
1872	4	384	48366½	68509	240244	401401½	83338	191076	1028324½	159844 16 9	4115 12 7	163960 9 4	825359 19 2	22	261028 10 8	424989 0 0	207917 14 10
1873	4	397	53373½	70140	260627½	485162	106492	232923	1214022½	172637 19 5	5578 7 9	178216 7 2	926894 19 0	23	306019 11 1	484235 18 3	238034 14 5
1874	4	398	60467½	99845	308397½	616792	123348	328194	1589043½	184831 2 10	3763 13 8	188594 16 6	1076068 2 0	9	347980 8 6	536575 5 0	257703 6 9
1875	4	410	72785	134330	324972	756138	168534	451646	200601 5 7	5339 6 4	205940 11 11	1174559 5 2	27	408706 18 4	614647 10 3	296173 19 7	
1876	4	460	94403	207184	380099	1040640	242100	509116	2478946	228519 8 3	5360 11 7	238369 19 10	12	459355 8 5	693225 8 3	330405 18 9	
1877	4	552	124771	283897	447718	1233140	300386	567282	2957144	207070 14 0	2528 7 2	273299 1 2	1410610 4 3	19	542621 4 0	815920 5 2	418984 16 5
1878	4	633	138777	365064	501330	1677054	394852	728656	3705733	305709 4 4	1674 4 5	307383 8 9	1594983 11 0	12	595605 12 10	902989 1 7	536988 7 8

STATISTICS—1878.

ELECTRIC TELEGRAPHS.

No. 123.—RETURN showing the Number and Value of TELEGRAMS sent from each Station in the Colony during the Year 1878.

Station.	Messages.	Amount.	Station—contd.	Messages.	Amount.
	No.	£ s. d.		No.	£ s. d.
Sydney (Head Quarters) ...	253,478	23,358 4 1	Forbes ...	9,866	709 4 8
Albury ...	110,939	843 6 10	Glebe ...	1,558	97 10 0
Ashfield... ..	939	60 7 10	Goulburn ...	12,515	864 15 7
Araluen... ..	768	46 6 2	Gunning ...	1,792	124 0 8
Adelong ...	2,759	176 8 11	Gundagai ...	3,716	227 6 6
Adaminaby ...	1,999	74 0 8	Germanton ...	1,205	82 9 8
Anvil Creek ...	777	50 18 9	Gosford ...	708	45 2 3
Armidale ...	7,820	610 18 3	Gunnedah ...	6,106	406 14 9
Balmain ...	1,875	116 10 5	Gloucester ...	1,200	81 3 4
Burwood ...	1,264	82 14 6	Glen Innes ...	6,790	519 0 8
Botany ...	146	6 8 3	Grafton ...	15,218	1,088 0 11
Blacktown ...	633	38 8 1	Grenfell ...	3,986	270 8 1
Blue Mountains ...	185	9 17 1	Gulgong ...	3,603	286 0 1
Bowenfels ...	428	24 0 4	Goodooga ...	1,562	134 9 2
Back Creek ...	330	19 7 7	Haymarket ...	8,063	514 9 3
Broughton's Creek ...	1,538	101 6 3	Hunter's Hill ...	983	60 18 5
Berrima... ..	657	40 19 2	Homebush ...	1,002	67 2 0
Braidwood ...	3,253	234 3 9	Howlong ...	660	47 3 7
Bateman's Bay... ..	1,694	99 19 11	Hill End ...	2,067	124 13 4
Bulli ...	940	45 9 0	Hay ...	10,806	1,130 3 8
Bombala ...	5,121	427 16 9	Inverell... ..	7,367	582 0 3
Bega ...	5,613	427 8 5	Jervis Bay ...	193	5 13 9
Bodalla ...	1,344	103 11 8	Jerilderie ...	2,665	242 1 6
Bungendore ...	727	45 13 5	Jerry's Plains ...	977	59 17 6
Bowning ...	1,126	53 18 3	Junee ...	438	25 10 8
Binalong ...	681	41 7 2	King-street ...	8,516	566 10 0
Burrowa ...	3,035	231 5 4	Kelso ...	461	27 11 7
Bullah Delah ...	581	40 0 1	Kiama ...	4,492	282 3 4
Branxton ...	1,010	67 5 3	Kiandra... ..	855	56 17 5
Boggabri ...	1,914	159 4 10	Kyamba ...	335	21 8 1
Bendemeer ...	1,139	69 16 3	Kynamboon ...	567	49 0 2
Bundarra ...	1,942	135 9 1	Liverpool ...	1,390	77 17 11
Bingers ...	2,155	150 0 0	Lambton ...	1,198	62 7 8
Barraba... ..	491	32 18 6	Lawrence ...	2,124	126 10 1
Ballina ...	3,058	217 11 3	Lismore... ..	4,998	350 15 1
Brushgrove ...	640	41 6 2	Lithgow ...	2,083	122 6 7
Bathurst ...	13,336	967 11 10	Lucknow ...	564	35 17 11
Blayney... ..	2,242	124 4 4	Louth ...	1,324	137 16 0
Bethungra ...	871	50 3 8	Manly Beach ...	2,437	145 15 1
Baradine ...	926	69 1 3	Miller's Point ...	1,149	96 1 6
Brewarrina ...	5,397	526 7 8	Macquarie Plains ...	303	18 7 5
Bourke ...	10,246	1,057 12 10	Moss Vale ...	2,159	130 11 2
Barrington ...	610	60 15 8	Marulan ...	825	47 5 7
Balranald ...	3,742	372 15 9	Moruya ...	2,898	190 10 5
Booligal ...	1,023	90 17 1	Merimbula ...	1,943	101 7 0
Corowa ...	2,310	184 14 2	Michelago ...	714	46 9 0
Campbelltown ...	2,581	151 7 11	Molonglo ...	457	32 9 10
Camden... ..	1,726	119 7 11	Murrumburrah... ..	3,616	213 14 3
Cooma ...	6,419	560 6 8	Morpeth ...	3,515	194 19 10
Candelo... ..	1,817	121 19 0	Muswellbrook ...	4,254	260 2 5
Cobargo... ..	807	47 12 9	Murrurundi ...	4,759	340 0 11
Cooranbong ...	314	19 15 6	Moree ...	3,324	251 2 10
Clarence Town... ..	1,255	68 18 8	Millie ...	1,234	83 5 1
Casino ...	4,469	340 0 1	Manilla... ..	460	28 18 2
Clarence Heads ...	2,164	113 15 9	Macleay Heads ...	509	18 10 6
Cundletown ...	374	21 8 5	Mount Victoria ...	1,852	96 10 5
Carcoar ...	2,253	149 19 4	Molong ...	2,320	153 16 11
Cowra ...	2,899	195 18 10	Morangarell ...	1,042	79 11 10
Condobolin ...	2,111	115 4 5	Mudgee... ..	11,199	774 3 2
Cootamundra ...	5,314	328 7 6	Merriwa ...	2,044	154 9 0
Canonbar ...	271	19 12 9	Moama ...	1,604	136 5 4
Cassilis ...	1,552	114 6 11	Moulamein ...	1,630	150 17 0
Coolah ...	1,287	84 11 0	Menindie ...	2,483	241 5 8
Coonabarabran... ..	2,662	179 19 5	Newtown ...	2,727	153 12 6
Coonamble ...	6,923	569 13 12	North Shore ...	1,652	89 1 0
Central Kempsey ...	994	77 5 1	Nattai ...	2,410	141 3 9
Dungog... ..	1,621	100 12 2	Nimitybelle ...	1,420	97 7 5
Denman ...	1,109	77 1 1	Nelligen ...	84	5 0 6
Dubbo ...	12,360	819 11 2	Nelson's Bay ...	425	18 17 0
Deepwater ...	915	68 18 2	Newcastle ...	34,423	2,569 17 7
Deniliquin ...	11,781	1,115 0 7	Narrabri ...	6,609	467 0 10
Edgecliff ...	2,064	127 18 10	Newton Boyd ...	567	40 6 10
Eden ...	1,312	86 18 9	Nambuccra ...	860	54 5 9
East Maitland ...	3,231	215 1 7	Nulla Nulla ...	60	3 19 3
Euston ...	915	78 6 8	Narrandera ...	3,420	285 13 9
Fordwich ...	643	42 6 6	North Wagga ...	692	34 17 1
Fernmount ...	1,720	112 15 10	Oxford-street ...	5,198	312 8 7
Frederickton ...	261	15 11 7	Orange ...	14,673	979 5 5

STATISTICS—1878.

247

No. 123 (continued)—ELECTRIC TELEGRAPHS—continued.

Station—contd.	Messages.	Amount.	Station—contd.	Messages.	Amount.
	No.	£ s. d.		No.	£ s. d.
Paddington	1,828	93 2 10	Tabulam	696	52 14 10
Petersham	976	64 14 2	Tareutta	530	35 18 5
Park-street	2,795	188 10 0	Tumbarumba	383	30 4 6
Parramatta-street	1,934	115 19 6	Tinonee... ..	282	18 5 3
Parramatta	6,352	378 17 0	Trial Bay (now Arakoon)	51	3 15 6
Port Stephens	23	1 5 8	Ulmarra	1,755	100 16 8
Paterson	1,024	62 4 2	Urana	2,941	248 13 0
Port Macquarie	2,871	175 16 7	Uralla	1,916	137 3 6
Palmer's Island	1,280	79 10 1	Ulladulla	2,266	158 17 4
Penrith	2,431	135 8 4	Vegetable Creek	3,236	268 0 11
Parkes	3,406	231 19 2	Warialda	2,845	204 13 11
Pilliga	1,231	86 17 11	Wagga Wagga	18,738	1,590 7 9
Picton	1,089	65 17 8	Wentworth	22,966	537 5 10
Pooncarie	1,138	101 18 10	Wallerawang	2,236	124 18 1
Queanbeyan	3,964	281 2 9	Wellington	4,763	322 17 11
Quirindi	7,827	436 17 9	Windsor	3,560	210 9 1
Randwick	1,499	73 13 10	Wiseman's Ferry	421	21 18 1
Ryde	434	26 4 3	Wollombi	510	30 11 7
Rydal	379	21 1 2	West Maitland... ..	18,475	1,448 19 7
Raglan	82	4 12 3	Wee Waa	1,087	75 9 0
Redfern... ..	5,227	304 6 9	Walgett... ..	4,559	369 17 3
Richmond	3,111	189 3 4	West Kempsey... ..	4,940	357 17 8
Raymond Terrace	2,096	121 18 10	Wollongong	5,557	318 15 4
Rocky Mouth	3,399	239 16 8	Waratah	691	47 3 6
Rylstone	1,578	104 12 0	Wallsend	2,632	127 19 5
Robertson	Wallabadah	1,032	64 2 9
South Head	519	29 5 7	Waterloo	1,880	109 14 3
Sofala	696	41 14 3	William-street	4,702	292 13 11
Singleton	5,732	384 19 2	Waverley	1,008	56 4 5
Scone	1,811	117 3 9	Warren	3,615	274 17 1
South Creek	593	32 5 11	Walcha	1,986	130 1 3
St. Leonard's	Wilcannia	8,253	969 0 11
South Grafton	2,280	146 1 9	Warrah... ..	2,633	132 2 3
Stroud	1,582	101 13 1	Warkworth	280	14 16 2
Seal Rocks	128	7 7 3	Wickham	94	5 13 2
Smithtown	1,295	81 17 9	Young	8,146	622 6 11
Springwood	90	5 0 8	Yass	4,185	356 7 6
Seven Hills	5	0 5 0	Yetman... ..	723	58 12 4
Tenterfield	61,615	331 18 0			
Tarana	304	17 16 4	Total	1,124,858	73,531 2 1
Taree	4,315	270 1 11	Foreign Telegrams	2,814	20,893 9 4
Tamworth	14,523	1,009 11 0	New Zealand do.	4,615	3,525 13 1
Terrara	3,136	187 16 1			
Tumut	3,660	249 9 5	General Total	1,132,287	98,125 8 7

ELECTRIC TELEGRAPHS—*continued.*

No. 124.—RETURN showing the Number of TELEGRAPH STATIONS in New South Wales, the REVENUE received for TELEGRAMS during the Year 1878, the Number and Value of FOREIGN and INTERCOLONIAL TELEGRAMS transmitted from New South Wales, and the Places to which they were sent; also, the Number and Value of TELEGRAMS issued, and the Places from which they came.

Number of Telegraph Stations in New South Wales ... 236										Revenue received £76,226 18s. 11d.							
Telegrams transmitted from New South Wales.																	
New South Wales.		Foreign Telegrams.		Victoria.		New Zealand.		South Australia.		Western Australia.		Queensland.		Tasmania.		Total.	
No.	Amount.	No.	Amount.	No.	Amount.	No.	Amount.	No.	Amount.	No.	Amount.	No.	Amount.	No.	Amount.	No.	Amount.
	£ s. d.		£ s. d.		£ s. d.		£ s. d.		£ s. d.		£ s. d.		£ s. d.		£ s. d.		£ s. d.
976,216	52,293 2 4	2,814	20,893 9 4	85,157	11,527 17 6	4,615	3,700 17 2	15,956	2,928 19 5	214	130 19 0	45,710	5,875 5 8	1,605	774 18 2	1,132,287	98,125 8 7
Telegrams issued in New South Wales.																	
New South Wales.		Foreign Telegrams.		Victoria.		New Zealand.		South Australia.		Western Australia.		Queensland.		Tasmania.		Total.	
No.	Amount.	No.	Amount.	No.	Amount.	No.	Amount.	No.	Amount.	No.	Amount.	No.	Amount.	No.	Amount.	No.	Amount.
	£ s. d.		£ s. d.		£ s. d.		£ s. d.		£ s. d.		£ s. d.		£ s. d.		£ s. d.		£ s. d.
976,216	52,293 2 4	2,766	17,925 19 2	76,509	11,333 9 2	4,202	3,874 5 6	15,445	2,590 14 5	308	65 12 3	47,774	8,320 9 11	1,302	572 13 2	1,124,522	96,976 5 11

No. 125.—DECENNIAL RETURN showing the Number and Value of TELEGRAMS; also, Number of MILES of WIRE and Cost of CONSTRUCTION.

Year.	No. of Stations.	No. of Telegrams.	Receipts.			No. of Miles of Wire.	Cost of Construction.
			Amount for Telegrams.	Balance on Inter-colonial Business and Guaranteed Lines, &c.	Total.		
			£ s. d.	£ s. d.	£ s. d.		£ s. d.
1869	83	145,370	30,150 7 6	2,624 8 5	32,774 15 11	5,053	189,145 0 11
1870	86	173,812	28,550 4 8	3,487 14 2	32,037 18 10	5,247	195,544 15 7
1871	89	218,530	29,019 16 11	3,644 16 0	32,664 12 11	5,579	199,245 4 6
1872	92	336,065	47,691 1 9	1,904 10 4	49,595 12 1	6,114	212,255 9 8
1873	105	365,360	57,280 4 2	4,544 6 3	61,824 10 5	6,521	218,361 6 0
1874	115	570,326	58,136 3 6	1,684 13 2	59,820 16 8	7,449	238,129 14 6
1875	137	719,745	67,537 8 1	1,655 15 3	69,193 3 4	8,012	253,391 9 9
1876	171	858,301	57,317 13 11	^a 23,011 16 2	80,329 10 1	8,472	271,890 0 0
1877	190	1,001,884	65,645 6 0	^b 30,712 4 2	96,357 10 2	9,761	343,973 4 8
1878	236	1,132,287	98,125 8 7	98,125 8 7	11,760	413,258 4 2

^a Includes £16,174 17s. 5d., amount collected for Telegrams sent *via* Port Darwin and British-Australian Telegraph Company's Lines, and £4,806 1s. 2d., amount collected for Telegrams sent to New Zealand.

^b Inclusive of £28,146 8s. 3d., for Foreign and New Zealand Telegrams.

POST OFFICES, LETTERS, &c.

No. 126.—DECENNIAL RETURN showing the Number of POST OFFICES, &c., and of LETTERS, NEWSPAPERS, PACKETS and BOOK PARCELS &c., passing through the GENERAL POST OFFICE.

Year.	Number of Post Offices.	Number of Receiving Offices.	Number of Persons employed.	Number of Miles travelled by Mail conveyance.	Extent of Postal Lines in Miles.	Number of Letters.			Number of Newspapers.		Packets and Book Parcels.		Total.			Income.			Expenditure. (Includes the estimated outstanding Liabilities for the Year.)		
						Foreign.	Inland.	Town.	Foreign.	Inland.	Inland.	Foreign.	Letters.	Newspapers.	Packets, &c.	£	s.	d.		£	s.
1869	521	642	2,879,659	13,238	1,067,251	5,554,950	521,433	1,112,232	2,481,321	123,573	34,461	7,143,634	3,593,553	158,034	85,720	0	5	890,700	0	0
1870	562	690	3,062,458	14,242	1,103,200	5,451,500	528,800	1,206,600	2,608,100	121,000	36,700	7,083,500	3,814,700	157,700	84,440	15	10	86,751	15	9
1871	570	696	3,167,165	14,470	1,127,100	5,803,700	578,700	1,160,400	2,831,700	121,600	36,700	7,509,500	3,992,100	158,300	84,890	13	6	85,398	17	5
1872	622	761	3,252,888	14,764	1,244,700	6,699,900	709,400	1,274,000	3,567,200	118,100	52,400	8,654,000	4,841,200	170,500	96,477	3	4	110,941	5	10
1873	654	809	3,483,505	15,161	1,374,900	7,173,000	1,054,700	1,333,700	3,628,000	157,000	52,600	9,602,600	4,961,700	209,600	109,564	10	6	115,210	16	6
1874	681	858	3,584,337	15,984	1,547,800	7,680,800	1,891,500	1,302,000	4,492,200	197,300	73,000	11,120,100	5,794,200	270,300	103,921	6	6	163,319	8	0
1875	752	7	967	3,787,757	17,670	1,719,100	9,540,900	2,457,900	1,385,900	4,876,700	274,700	82,300	13,717,900	6,262,600	357,000	107,761	7	10	194,041	0	11
1876	782	18	1,090	3,891,906	18,418	1,852,400	9,986,000	2,628,500	1,508,300	5,408,900	304,400	109,500	14,466,900	6,917,200	413,900	128,641	16	11	206,798	13	7
1877	810	48	1,180	4,095,530	19,508	1,979,500	11,579,500	2,950,000	1,652,000	6,733,000	263,600	135,000	16,509,000	8,385,000	398,600	154,170	18	3	226,305	5	6
1878	847	75	1,272	4,389,925	20,176	2,220,600	12,782,900	3,156,400	1,657,600	7,811,600	403,700	133,100	18,159,900	9,469,200	536,800	155,621	19	6	248,216	11	8

* This amount does not include the cost of Ocean Mail Subsidy.

^b This includes the amount of the postage contributions of the United Kingdom and the Australian Colonies to the cost of Ocean Mail Subsidy.

^c Of this amount the sum of £13,995 18s. 1d. was received on account of postage due to the Colony by the United Kingdom for the years 1875 and 1876.

MONEY ORDERS.

No. 127.—RETURN showing the Number and Amount of MONEY ORDERS issued, and the Number and Amount of MONEY ORDERS paid, at each Office in the Colony of New South Wales, during the Year 1878.

Name of District.	Orders issued.		Orders paid.		Name of District.	Orders Issued.		Orders Paid.	
	Number.	Amount.	Number.	Amount.		Number.	Amount.	Number.	Amount.
		£ s. d.		£ s. d.		£ s. d.		£ s. d.	
Sydney (Head Quarters.)	16,398	68,845 8 11	70,742	269,679 14 1	Cooma	1,115	3,984 5 5	430	1,383 3 10
Aberdeen	121	407 7 9	43	189 14 0	Coonabarabran	353	1,273 19 2	137	476 2 7
Adaminaby	438	1,425 7 3	50	167 8 1	Coonamble	728	2,755 16 9	123	448 15 1
Adelong	584	1,953 6 8	240	920 2 8	Cooranbong	196	695 17 1	37	225 12 3
Albury	764	2,168 3 0	664	2,247 13 11	Coraki	146	619 15 1	17	80 11 4
Amosfield	33	67 12 0	1	2 14 0	Cootamundra	1,091	3,439 6 7	251	1,047 0 7
Anvil Creek	464	1,548 1 2	137	439 14 4	Cowra	230	682 5 5	237	806 16 8
Appin	93	315 5 6	47	203 4 7	Cow Flat	117	445 8 1	100	517 16 8
Arakoon	18	56 8 2	13	43 2 0	Cowra	597	2,187 9 5	112	513 1 4
Araluen	406	1,221 1 11	231	675 0 1	Crookwell	244	691 1 9	52	235 13 11
Armidale	1,189	4,220 7 7	568	1,803 10 7	Cundletown	186	711 5 7	71	358 6 8
Ashfield	183	488 8 1	213	733 19 5	Currabubula	137	481 8 0	23	123 11 3
Ashford	46	145 10 8	17	72 1 8	Currawang	100	333 8 11	55	300 4 4
Avisford	16	26 17 4	10	24 0 6	Dalmorton	64	295 1 2	4	13 9 4
Back Creek	327	1,496 13 9	309	1,586 17 4	Dandaloo	75	430 14 3	2	9 19 0
Ballina	307	1,468 9 6	47	251 13 3	Dapto	72	195 2 0	22	91 4 9
Balmain	601	1,904 8 10	709	2,588 11 10	Delegate	104	287 19 5	9	36 18 9
Balranald	301	1,233 19 2	50	174 14 0	Deniliquin	833	2,342 18 4	461	1,755 6 5
Baradine	136	349 13 3	13	70 0 0	Denman	232	682 6 11	29	126 16 4
Barraba	256	718 9 7	45	259 1 10	Dent Forest	30	100 4 6		
Bateman's Bay..	369	1,190 15 0	75	496 19 3	Dubbo	1,018	3,835 4 9	634	2,460 2 1
Bathurst	2,411	8,293 16 1	2,852	10,399 19 11	Dundee	39	199 1 4	10	30 11 0
Bega	961	3,684 18 11	295	1,158 5 3	Dungog	403	1,142 19 7	107	397 6 8
Bendemeer	259	831 18 11	63	288 14 9	East Maitland..	711	2,530 16 4	407	1,457 3 6
Berrima	380	879 15 7	101	243 1 10	Eauabalong	70	207 7 8	2	4 8 6
Binalong	285	867 6 6	43	175 14 11	Eden	612	3,977 19 0	78	257 5 3
Bingera	368	1,258 16 0	148	720 3 3	Emu	53	124 17 2	106	416 5 11
Blackville	104	282 5 4	10	38 18 11	Eskbank	277	815 5 11	10	51 16 6
Blayney	519	1,735 16 1	175	704 15 0	Euston	264	1,369 2 8	19	74 10 2
Bodalla	269	758 2 7	25	119 6 1	Fernmount	310	1,191 3 4	37	234 4 3
Boggabri	287	895 9 8	60	261 4 11	Forbes	989	3,673 6 7	455	1,832 8 10
Bombala	774	2,835 18 11	180	582 16 9	Forest Reefs	63	206 7 10	12	72 5 0
Booligal	170	714 1 6	26	91 6 10	Frogmore	334	1,519 7 2	17	70 18 9
Botany	28	95 4 3	40	109 15 0	Gagedzerick	82	201 16 5	4	12 12 0
Bourke	1,020	5,030 7 11	199	958 1 8	Germanton	306	1,033 3 11	32	144 12 0
Bourke-street ..	34	92 17 3	32	71 11 0	Gerogery	55	153 6 6	2	2 14 0
Bowenfels	125	427 9 0	123	424 10 10	Gilgandra	62	214 18 7	6	15 9 9
Bowna	32	104 17 6	10	64 19 6	Gladstone	204	777 10 10	9	51 18 0
Bowning	291	892 5 6	59	241 0 8	Glebe	210	679 5 9	264	900 7 0
Braidwood	1,000	3,501 8 3	729	2,670 10 2	Glen Innes	590	2,813 16 3	362	1,446 3 6
Branxton	464	1,619 2 10	206	1,057 9 7	Goderich	64	192 13 1	31	127 16 6
Breeza	442	2,196 1 3	16	61 1 2	Gongahong	103	378 15 11	6	26 4 5
Brewarrina	392	1,742 4 9	67	347 0 10	Goonoo Goonoo ..	157	561 0 0	3	14 7 0
Bringelly	64	153 12 6	12	27 14 2	Gosford	481	2,259 8 7	84	413 1 8
Broughton Crk.	316	943 7 0	55	266 13 5	Goulburn	2,253	7,825 13 9	2,410	7,704 18 2
Brown's Creek ..	11	24 3 2			Grafton	1,344	5,743 16 4	737	2,785 19 8
Brushgrove	168	495 7 10	25	136 17 11	Grenfell	555	1,836 7 0	235	950 10 2
Bulahdelah	223	876 17 10	25	116 2 8	Gulgong	559	1,654 8 7	625	2,229 0 2
Bulli	415	1,407 15 1	49	184 13 7	Gundagai	995	3,951 18 4	262	901 16 8
Bundarra	478	1,622 6 10	82	334 16 5	Gunnedah	652	2,583 9 7	264	935 9 11
Bungendore	375	973 8 5	64	201 3 1	Gunning	420	1,236 19 3	251	868 6 7
Burrawang	66	226 2 6	35	132 8 8	Guyong	61	138 2 7	24	129 9 9
Burrowa	665	2,586 6 5	240	970 11 6	Hargraves	161	744 8 7	21	115 0 6
Burwood	215	571 0 3	254	925 0 9	Hartley	866	6,181 4 9	127	403 2 10
Cadia	48	103 16 8	26	156 8 7	Hay	1,132	4,832 17 3	314	1,179 1 5
Cambewarra	47	157 4 8	4	10 13 9	Haymarket	1,575	5,981 6 10	886	3,279 5 1
Camden	365	1,123 18 4	281	932 13 7	Hexham	136	578 19 5	310	1,326 4 11
Campbelltown ..	347	1,089 6 10	273	996 13 10	Hill End	866	2,530 5 8	422	1,328 3 7
Camperdown	90	377 3 4	79	360 8 9	Hillston	169	640 0 0	22	77 3 2
Cannonbar	192	754 11 3	25	103 5 0	Home Rule	189	629 12 7	165	661 16 7
Cape Hawke	81	186 14 7	7	32 6 10	Hoskinstown	25	64 13 4	1	0 5 0
Carcoar	631	2,086 6 5	305	1,079 4 7	Howlong			2	12 10 0
Cargo	184	631 9 9	25	132 1 1	Ilford	172	447 9 8	52	279 10 0
Carroll	112	322 1 5	17	110 9 10	Inverell	1,166	5,276 9 8	394	1,709 5 9
Casino	528	2,348 1 3	216	957 19 6	Ironbarks	494	2,692 8 1	54	223 9 1
Cassilis	398	1,286 18 6	105	412 9 4	Jamberoo	101	329 1 2	22	73 14 7
Catherine Hill Bay.	92	299 7 7	6	21 6 4	Jerrilderie	373	1,265 7 0	68	237 12 4
Chatsworth Island.	174	670 14 2	11	36 13 5	Jordan's Crossg.	225	680 17 7	43	176 19 10
Clarencetown	358	1,271 15 3	86	354 15 7	Kelso	261	1,072 9 8	87	290 12 1
Cobar	244	1,329 15 2	10	45 10 0	Kempsey	364	1,631 3 0	109	326 19 1
Cobargo	113	352 16 5	10	18 13 8	Kiama	754	3,100 3 11	259	926 13 1
Collector	91	284 12 0	24	69 4 4	Kiandra	323	1,471 7 7	20	97 19 11
Condobolin	362	1,616 3 10	51	228 18 7	Kincumber	8	57 5 5	4	35 0 0
Coolah	259	693 10 5	31	105 11 3	King-street	392	2,050 10 3	42	125 2 3
					Lambton	915	3,303 9 7	202	508 6 2
					Lawrence	217	687 6 2	48	212 3 10
					Lidsdale	239	967 5 0	160	775 1 2

STATISTICS—1878.

251

MONEY ORDERS—continued.

No. 127 (continued).—RETURN showing the Number and Amount of MONEY ORDERS issued and paid—continued.

Name of District.	Orders issued.		Orders paid.		Name of District.	Orders issued.		Orders paid.	
	Number.	Amount.	Number.	Amount.		Number.	Amount.	Number.	Amount.
		£ s. d.		£ s. d.			£ s. d.		£ s. d.
Lionsville	67	179 12 7	4	29 7 6	Ryde	183	486 17 10	56	280 13 4
Lismore	854	2,985 1 0	146	504 0 1	Rylstone	426	1,019 3 4	91	300 7 5
Lithgow	758	2,551 1 3	130	458 10 11	St. Leonards	302	964 7 5	164	487 14 1
Little Hartley	281	1,360 0 5	20	77 8 6	St. Mark's	71	229 10 9	10	26 11 6
Liverpool	380	1,046 8 8	235	773 7 10	St. Mary's	308	891 0 2	63	212 16 2
Lochinvar	107	409 0 11	210	980 13 6	St. Peter's	93	241 17 10	83	304 18 0
Lower Gundaroo	200	472 2 8	36	151 4 10	Scone	746	2,320 8 10	235	1,004 15 4
Lucknow	137	404 7 8	96	356 18 4	Singleton	1,471	5,222 2 1	900	3,591 16 5
Lunatic Reefs	44	145 13 1	13	79 18 8	Sofala	411	1,212 17 1	164	481 15 4
Major's Creek	211	504 15 8	134	461 4 0	Somerton	47	100 8 8	14	38 16 4
Manilla	162	413 0 1	21	109 9 8	South Grafton	304	1,122 8 1	181	1,077 13 4
Manly	233	682 0 8	80	351 8 0	Stanborough	182	1,315 0 1	19	71 9 2
Marulan	369	962 14 7	106	361 14 0	Stroud	622	3,795 16 7	113	482 7 7
Maryland	27	115 6 8	6	15 0 0	Summer Island	27	108 9 0		
Mathoura	1	1 11 7			Tambaraora	141	527 14 6	82	272 6 10
Menindee	3	11 4 0	1	0 10 0	Tamba Springs	122	508 8 11	15	94 12 9
Meranburn	3	4 17 0			Tamworth	1,943	8,448 12 9	1,349	5,046 16 3
Merimbula	192	676 19 7	72	283 5 3	Taralga	182	553 3 4	58	355 18 1
Merriwa	375	1,400 16 6	130	431 16 9	Tarana	192	518 12 6	32	134 9 8
Michelago	197	448 13 9	33	109 9 9	Tarcutta	161	452 9 7	39	210 18 0
Miller's Point	241	950 8 7	26	53 8 4	Taree	360	1,462 7 1	49	223 13 10
Millie	145	613 17 4	8	52 12 7	Tenterfield	529	2,025 5 0	147	486 19 2
Milton	371	1,300 18 11	78	326 17 10	Terara	391	1,374 12 1	98	307 17 10
Minmi	455	1,553 19 0	49	158 4 1	Tinonee	81	200 14 10	25	136 15 0
Mittagong	614	1,898 0 6	330	1,124 8 8	Tocumwal	289	1,624 6 11	19	96 6 5
Moama	126	292 4 4	202	770 11 9	Trunkay Creek	247	1,210 4 0	58	232 10 0
Molonglo	161	339 6 2	8	26 1 0	Tuena	113	420 11 6	32	142 14 6
Molong	742	2,241 18 0	210	997 2 4	Tumberumba	269	1,089 3 4	23	95 6 9
Monga	67	231 6 6	20	80 8 6	Tumut	463	1,560 16 3	232	767 0 11
Moree	439	1,975 13 8	54	260 6 11	Tweed Junction	78	249 1 7	36	217 18 1
Morpeth	418	1,437 0 1	382	1,506 1 9	Ulladulla	51	150 16 1	39	128 15 2
Moruya	882	3,847 19 6	225	743 14 10	Ulmarra	251	800 8 6	26	129 12 2
Moss Vale	404	1,224 6 0	153	521 0 4	Upper Gundaroo	96	276 4 5	41	163 15 10
Mount Victoria	497	1,674 5 10	69	291 0 8	Uralla	630	1,871 5 1	181	812 0 6
Mudgee	1,622	5,925 11 8	1,064	3,597 14 10	Urana	360	1,236 9 7	71	318 15 0
Murrumburrah	936	3,099 2 5	178	641 10 10	Vegetable Creek	815	4,322 11 7	81	352 3 7
Murrurundi	1,003	3,770 17 1	598	2,721 6 2	Wagga Wagga	2,077	8,573 12 0	894	3,471 7 8
Muswellbrook	827	2,886 12 11	438	1,712 0 11	Wagga Railway Station	30	97 12 3	1	1 15 0
Narrabri	681	3,294 19 1	382	1,237 16 1	Walcha	535	2,185 2 2	92	390 14 1
Narrandera	520	1,926 15 8	63	287 2 3	Walgett	554	2,963 4 10	58	223 16 4
Nelligen	369	1,212 9 0	58	251 12 11	Wallabadah	194	528 3 6	53	240 10 0
Nerrigundah	94	440 17 2	3	7 0 0	Wallsend	734	2,175 13 1	489	1,990 13 6
Newcastle	4,403	15,970 19 5	3,051	10,831 2 0	Waratah	318	950 14 9	125	340 10 0
Newtown	651	2,402 1 8	804	2,674 2 0	Wardell	151	602 0 9	25	136 16 1
Nimitybelle	397	1,716 10 11	38	154 15 8	Warialda	349	1,503 15 1	111	467 12 2
Nowra	190	673 13 6	90	279 5 10	Warren	453	1,867 11 2	62	357 13 8
Numba	169	581 3 10	41	122 5 9	Watson's Bay	37	59 17 4	7	20 4 0
Nundle	318	1,548 5 1	140	707 8 3	Wattle Flat	128	344 0 2	76	320 4 9
Oberon	343	1,236 0 3	59	213 2 1	Waverley	189	359 12 10	146	384 14 5
Obley	92	396 19 2	11	30 14 4	Wee Waa	383	1,869 5 1	24	113 4 10
Orange	2,857	10,628 10 2	1,427	6,023 11 10	Wellingrove	73	278 12 11	7	46 6 6
Oxford-street	1,169	3,657 1 2	1,117	3,417 3 4	Wellington	797	2,734 0 8	325	1,288 7 2
Paddington	383	1,271 13 6	457	1,581 12 11	Wentworth	430	1,781 17 7	79	355 17 9
Panbula	195	854 1 8	32	102 12 8	Werris Creek	237	793 5 3	9	37 7 6
Parkes	526	1,539 10 1	312	1,304 11 6	West Kempsey	326	1,465 16 3	148	660 19 9
Park-street	447	1,404 1 0	37	111 6 7	West Maitland	1,930	7,334 3 0	2,841	10,222 16 9
Parramatta	823	2,734 12 8	1,437	4,722 8 6	Wilcannia	519	2,614 10 6	68	313 0 8
Parramatta-st.	544	1,873 19 8	435	1,540 16 8	William-street	1,137	4,263 13 6	554	1,794 10 8
Paterson	409	2,040 7 4	82	384 3 0	Willow-tree	375	1,303 6 10	328	850 9 6
Penrith	501	1,434 2 2	429	1,604 15 11	Windeyer	61	370 11 2	48	231 7 0
Petersham	327	822 1 5	233	1,037 6 5	Windsor	844	2,771 18 2	430	1,508 0 11
Picton	430	1,492 2 11	168	527 2 9	Wingham	811	6,528 12 7	46	195 19 5
Pilliga	271	836 10 6	25	107 6 1	Wiseman's Ferry	166	609 17 5	43	228 13 2
Port Macquarie	874	4,931 6 5	167	896 4 9	Wollar	57	152 17 5	6	38 17 10
Pymont	263	773 6 0	160	507 7 7	Wollombi	407	2,402 18 0	102	721 11 6
Queanbeyan	807	2,501 0 0	370	1,106 7 11	Wollongong	1,075	4,083 0 3	500	1,716 13 5
Quirindi	971	4,149 10 5	539	2,707 3 1	Wombat	66	225 12 6	14	71 12 8
Randwick	155	708 3 8	278	512 3 4	Woolahra	132	429 8 5	159	516 11 0
Rankin's Spring	9	53 13 6	4	24 4 10	Woonona	141	514 4 3	35	143 0 4
Raymond Terrace	306	935 10 6	310	1,491 17 5	Yass	1,312	4,710 12 6	495	1,586 9 4
Redfern	632	1,873 13 7	851	2,732 13 5	Yetman	63	272 11 7	3	9 10 1
Reedy Flat	52	120 8 6	9	35 3 0	Young	1,151	3,913 13 6	568	1,991 11 2
Richmond	573	1,739 16 2	270	1,210 3 2					
Rockley	261	752 8 5	40	127 5 3					
Rocky Mouth	529	2,153 7 0	112	419 18 0					
Rookwood	17	61 10 0	19	80 13 6					
Rydal	271	727 19 4	94	343 11 11					
					General Total	142,025	538,799 17 8	129,143	487,458 6 3

MONEY ORDERS—*continued.*

No. 128.—RETURN showing the Number of MONEY ORDER OFFICES in New South Wales, the Revenue received for Commission on Orders during 1878, the Number and Amount of Money Orders issued in New South Wales during that year, and the places at which they were made payable; also, of Money Orders paid in New South Wales during the same year, and the places at which they were originally issued.

Number of Money Order Offices in New South Wales... 299										Revenue received for Commission on Orders... £5,772 Os. 6d.									
Orders issued in New South Wales, made payable at places in—																			
New South Wales.		United Kingdom.		Victoria.		New Zealand.		South Australia.		Queensland.		Tasmania.		Western Australia.		Total.			
No.	Amount.	No.	Amount.	No.	Amount.	No.	Amount.	No.	Amount.	No.	Amount.	No.	Amount.	No.	Amount.	No.	Amount.		
	£ s. d.		£ s. d.		£ s. d.		£ s. d.		£ s. d.		£ s. d.		£ s. d.		£ s. d.		£ s. d.		
113,760	429,565 4	51,204	49,962 16 11	11,727	40,527 5 9	864	3,617 12 9	839	3,583 8 9	2,073	8,566 13 3	636	2,824 18 4	36	151 17 6	142,025	538,799 17 8		
Orders paid in New South Wales, originally issued at places in—																			
New South Wales.		United Kingdom.		Victoria.		New Zealand.		South Australia.		Queensland.		Tasmania.		Western Australia.		Total.			
No.	Amount.	No.	Amount.	No.	Amount.	No.	Amount.	No.	Amount.	No.	Amount.	No.	Amount.	No.	Amount.	No.	Amount.		
	£ s. d.		£ s. d.		£ s. d.		£ s. d.		£ s. d.		£ s. d.		£ s. d.		£ s. d.		£ s. d.		
113,469	429,566 10 9	1,682	6,889 17 8	4,809	16,688 18 8	2375	8,368 19 8	1096	3,415 14 0	4,892	19,695 16 0	720	2,490 1 0	100	342 8 6	129,143	487,458 6 3		

No. 129.—DECENNIAL RETURN showing the Number and Amount of MONEY ORDERS issued and paid in the Colony.

Year.	Issued.		Paid.		Year.	Issued.		Paid.	
	Number.	Amount.	Number.	Amount.		Number.	Amount.	Number.	Amount.
		£ s. d.		£ s. d.			£ s. d.		£ s. d.
1869	66,062	288,476 1 9	59,129	263,297 18 2	1874	95,057	430,505 6 1	86,005	399,059 13 6
1870	65,743	289,325 0 4	58,386	258,321 12 4	1875	100,293	419,622 9 8	89,572	380,293 7 11
1871	69,750	293,370 9 11	63,629	271,842 7 2	1876	112,684	465,770 10 11	101,492	421,161 15 8
1872	87,435	393,882 2 0	79,895	366,176 0 8	1877	129,120	494,468 19 2	120,493	450,476 15 9
1873	92,744	420,294 4 0	82,886	381,871 9 1	1878	142,025	538,799 17 8	129,143	487,458 6 3

STATISTICS—1878.

253

MONEY PAID FOR IMMIGRATION.

No. 130.—DECENNIAL RETURN showing the Amount of Money paid out of the Revenues of the Colony, on account of IMMIGRATION.

Year.	Expenses in England in connection with Immigration.	Gratuities to Surgeon-superintendents, Masters, Officers, Overseers, and others.	Lodging, Maintenance, Conveyance, and other Expenses of Immigrants after arrival.	Salaries and Contingent Expenses of Agents for Immigration in the Colony.	Advances from the Colonial Treasury to the Land and Emigration Commissioners, including Premium on Bills of Exchange.	Immigration Remittances under the Regulations, including Commission on Collection and Refunds to Depositors.	Passage-money of Immigrants.	Expenses of Quarantine.	Miscellaneous.	Total Outlay.	Number of Immigrants the cost of whose introduction was paid by the Government.
	£ s. d.	£ s. d.	£ s. d.	£ s. d.	£ s. d.	£ s. d.	£ s. d.	£ s. d.	£ s. d.	£ s. d.	
1869	2 0 0	481 14 1	1,250 0 0	297 0 0	364 8 1	2,395 12 2	47	
1870	185 2 0	400 0 0	44 0 0	474 11 6	1,103 13 6	
1871	255 8 0	292 15 10	1,350 0 0	4 0 0	2,039 0 3	3,648 8 3	357	
1872	354 5 0	354 13 8	4,500 0 0	9 0 0	2,787 16 3	8,005 14 11	326	
1873	1,011 15 3	125 15 0	277 13 11	4 0 0	699 3 9	1,640 9 7	3,758 17 6	140	
1874	466 15 0	808 10 0	860 14 11	3,897 13 8	12,155 19 0	18,189 12 7	1,080	
1875	1,026 14 5	1,607 11 6	5,511 9 8	5,991 8 1	224 12 5	14,961 16 1	973	
1876	6,217 6 3	1,780 2 0	973 16 6	6,822 7 6	54 3 0	15,847 15 3	1,463	
1877	62,458 10 0	7,971 16 4	3,869 0 1	74,299 6 5	6,018	
1878	52,051 10 0	38,373 16 5	4,314 3 11	94,739 10 5	45,190	

^a See foot-note on page 4.
^b Includes £1,626 19s. 7d., expenses in connection with publication of pamphlet—"New South Wales: the Oldest and Richest of the Australian Colonies."
^c This number includes the assisted immigrants (761) who arrived from New York. ^d Including 173 immigrants who arrived direct from New York.

MILITARY EXPENDITURE.

No. 131.—DETAILS of EXPENDITURE incurred by the Colony, in the Year 1878, on account of its DEFENCE, and for MILITARY and NAVAL SERVICES.

PARTICULARS.	AMOUNT.
MILITARY.	
Repairs to Military and Volunteer Buildings	£ s. d. 1,957 18 9
Colonial Military Stores and Gunpowder Magazines	11,608 10 5
Towards completing the Fortifications, Port Jackson	33,326 12 11
	46,893 2 1
PERMANENT AND VOLUNTEER MILITARY FORCES.	
General Staff	6,583 0 4
Artillery Force	34,518 13 6
Volunteer Force	13,371 9 7
Public School Cadet Corps	576 15 11
Torpedo and Signalling Corps	2,149 7 10
TOTAL, MILITARY	£ 104,092 9 3
NAVAL.	
Rent of House for the Commodore commanding the Naval Squadron on this Station	300 0 0
Naval Brigade	4,878 0 5
TOTAL, NAVAL	£ 5,178 0 5
GENERAL TOTAL	£ 109,270 9 8

LOCAL REVENUES.

SYDNEY MUNICIPALITY.

No. 132.—ABSTRACT of the RECEIPTS and DISBURSEMENTS of the Municipal Council of the City of Sydney, for the Year 1878.

RECEIPTS.			DISBURSEMENTS.			
CITY FUND.						
<i>(Incorporated by Act of the Colonial Legislature, 20 Vic. No. 26.)</i>						
	Revenue.	Total Amount.		Salaries.	Contingencies.	Total Amount.
	£ s. d.	£ s. d.		£ s. d.	£ s. d.	£ s. d.
City Rate raised by assessment under the authority of the Act of Council, 17 Vic. No. 33	46,619 6 6		Office of Mayor	800 0 0		
Watering Street Rate, raised by assessment under the authority of the Act of Council, 18 Vic. No. 30	4,110 13 0		Town Clerk	520 16 8		
Fees and Fines under the Building Act, Police Act, By-laws &c.	2,905 14 2		Surveyor	2,600 1 10		
Rents and Dues from George-street Markets	7,883 12 6		Treasurer	693 15 0		
" Belmore Markets	894 0 2		Solicitor	116 13 5		
" Eastern Markets	894 8 3		Health Officer	393 15 0		
Rent of Public Baths	780 0 10		Inspector of Nuisances	816 13 4		
" City Wharves	1,759 10 0		Clerk of Markets	245 16 8		
" Randwick Road	598 4 0		City Architect	35 8 4		
Repayment for Paving	326 7 8		Office-keeper and Messenger	270 1 8		
Cleansing Closets	214 4 6		Auditors	50 0 0		6,543 1 11
Repayment of Works	1,526 8 5		MISCELLANEOUS			
Rent of City Property	450 10 0		Interest Expenses	6,008 18 2		
Removal of Rubbish	5 0 0		Expenses of City Markets	1,720 13 7		
Proceeds of Sale of Street Sweepings	12 10 0		City Improvements—Wages	49,583 18 10		
" Citizens' Lists	22 3 0		Street Works	19,654 4 0		
" Stores	803 0 8		Metal	11,138 10 1		
Tar Paving	27 7 6		Lighting the City with Gas	7,485 8 0		
Sale-yard Dues	171 5 1		Town Hall Building	5,214 17 8		
Agistment	1 4 0		Law Expenses	526 8 7		
Interest	1,440 2 3		City Architect's Commission	298 3 0		
Endowment from the Colonial Government	10,000 0 0		Printing	121 1 0		
Parliamentary Grant	22,500 0 0		Stationery	151 11 2		
Compensation for Land from Colonial Government	3,750 0 0		Advertising	69 19 4		
Balance due by Union Bank, 31 December, 1877	24,146 13 0	107,204 12 6	Election Expenses	43 17 5		
" " " 31 December, 1878	16,263 13 0		Office Furniture, Fuel, &c.	24 4 10		
		7,882 15 6	Cab-hire	119 18 10		
			Copying Notices	58 11 4		
			Auctioneers' Licenses	45 0 0		
			Regulating Clocks	40 2 6		
			Public Baths	881 1 6		
			Collecting Citizens' Lists	68 0 0		
			Compensation for Land	5,050 0 0		
			Rates—Paddington	62 4 0		
			Bunnerong Road Trustees	72 12 3		
			Sinking Fund	100 0 0		
						108,544 6 1
		115,087 8 0				£ 115,087 8 0
WATER FUND.						
<i>(Incorporated by Acts of the Colonial Legislature, 17 Vic. No. 35 and 20 Vic. No. 36.)</i>						
From Water laid on to Houses	50,822 17 9		Salaries of Officers generally	3,434 18 10		3,434 18 10
Rent of Fountains	51 12 0		MISCELLANEOUS.			
Interest and Premium	1,583 10 10		General Works—Wages	13,134 6 2		
Repayment of Works	235 14 4		Castings	9,740 11 9		
Rents	38 10 5		Tools, Repairs, &c.	1,756 4 10		
Plumbers' Licenses	88 4 0		Reservoirs	10,970 5 6		
Proceeds of Sale of Stores	137 0 0		Botany Works—Wages	5,056 14 6		
City Fund for Watering Streets	1,305 0 0		Coal	4,489 4 0		
Special Matter—			Machinery	2,097 12 3		
Balance due by Union Bank, 31 December, 1877	23,206 6 7	54,262 9 4	Interest Expenses	9,038 5 2		
Balance due by Union Bank, 31 December, 1878	14,333 1 11		Commission	39 7 6		
		8,823 4 8	Office Expenses	650 0 6		
			Analysis of Water	3 3 0		
			Purchase of Land	2,665 0 0		
			Compensation for damage by Water	10 0 0		
						59,650 15 2
		£ 63,085 14 0				£ 63,085 14 0
SEWERAGE FUND.						
<i>(Incorporated by Acts of the Colonial Legislature, 17 Vic. No. 34 and 20 Vic. No. 36.)</i>						
Premium and Interest	52 8 0		Salaries of Officers generally	1,034 5 6		1,034 5 6
Repayment of Works	50 13 4		MISCELLANEOUS.			
Special Matter—		103 1 4	General Works—Wages	3,695 15 7		
Balance due to Union Bank, 31 December, 1878	57,011 4 5		Construction of Sewers, Pipes, &c.	1,039 2 10		
Balance due to Union Bank, 31 December, 1877	34,173 8 1		Interest Expenses	17,171 13 9		
		22,837 16 4				21,906 12 2
		£ 22,940 17 8				£ 22,940 17

NOTE.—Year 1878. Number of Persons paying City Rates, 17,140. Estimated annual value of Ratable Property, £960,000. Amount of Rate struck per sterling, 1s. Estimated extent of roads, streets, and lanes in Municipality,—about 100 miles.

ROADS TRUSTS.

No. 134.—RETURN showing the RECEIPTS and DISBURSEMENTS of the several ROADS TRUSTS in the Year 1878, and also the Number of Miles of Road under the care of the Commissioners.

ROADS TRUSTS.	RECEIPTS.			Balance on 31st Dec., 1877.	Amount.	ROADS TRUSTS.	EXPENDITURE.			Balance on 31st Dec., 1878.	Amount.	Extent of Roads.
	Rent of Tolls, &c.	From the Colonial Treasury for Roads and Bridges.	Total Receipts.				Salaries.	Miscellaneous.	Total Expenditure.			
	£ s. d.	£ s. d.	£ s. d.	£ s. d.	£ s. d.		£ s. d.	£ s. d.	£ s. d.	£ s. d.	£ s. d.	Miles.
South Head Roads Trust ...	3,270 0 0	467 0 0	3,737 0 0	690 9 9	4,427 9 9	South Head Roads Trust ...	100 0 0	3,844 6 2	3,944 6 2	483 3 7	4,427 9 9	13
Parramatta Roads Trust...	418 10 4	300 0 0	718 10 4	800 16 0	1,519 6 4	Parramatta Roads Trust ...	126 11 3	483 15 7	610 6 10	908 19 6	1,519 6 4	17
Campbelltown Roads Trust	515 0 0	515 0 0	3 10 3	518 10 3	Campbelltown Roads Trust ...	5 10 0	455 19 2	461 9 2	57 1 1	518 10 3	25
Windsor Roads Trust ...	168 0 0	117 10 0	285 10 0	162 2 11	447 12 11	Windsor Roads Trust ...	26 0 0	234 13 11	260 13 11	186 19 0	447 12 11	18½
Richmond Roads Trust ...	92 3 5	330 10 0	422 13 5	20 5 4	442 18 9	Richmond Roads Trust...	31 0 0	204 1 8	235 1 8	207 17 1	442 18 9	25½
Maitland Roads Trust ...	76 5 2	1,263 0 0	1,339 5 2	21 8 1	1,360 13 3	Maitland Roads Trust ...	76 5 2	700 3 1	776 8 3	584 5 0	1,360 13 3	48
Total ...	£ 4,024 18 11	2,993 0 0	7,017 18 11	1,698 12 4	8,716 11 3	Total ...	£ 365 6 5	5,922 19 7	6,288 6 0	2,428 5 3	8,716 11 3	147

PUBLIC WORKS.

No. 135.—GENERAL RETURN of all RAILWAYS, ELECTRIC TELEGRAPHS, ROADS, BRIDGES, BUILDINGS, &c., &c., carried on during the Year 1878.

Work, and where situated.	Whether Constructing or under Repair.	Estimated Expense.	Fund from which the Expense is defrayed.	When Com-menced.	Whether Finished or Unfinished.	If Finished, actual amount of Expenditure.	If Unfinished, amount of Expenditure to 31st December, 1878.	Amount expended in 1878.	Amount expended for Furniture in 1878.	Remarks.
RAILWAYS.										
LINES OPEN FOR TRAFFIC.										
			£				£ s. d.	£ s. d.	£ s. d.	
Trunk Line—										
Darling Harbour Branch...	Under repairs and construction.			1850	Finished...	108,864 16 6		4,756 9 11		
Tramway ...	"			1859	"	4,878 7 1				
Sydney to Parramatta Junction ...	"			1850	"	798,631 7 11		39,169 0 8		
Great Southern Line—										
Parramatta to Liverpool ...	"			1855	"	130,367 2 7		2,850 15 0		
Liverpool to Campbelltown ...	"			1857	"	133,016 2 10		23 1 2		
Campbelltown to Menangle ...	"			1859	"	81,472 0 7		383 4 7		
Menangle to Picton ...	"			"	"	332,694 7 9		274 14 2		
Picton to Goulburn ...	"			1862	"	1,036,849 3 9		5,876 9 6		
Goulburn to Yass ...	"			1873	"	444,959 9 6		5,217 5 1		
Yass to Cootamundra ...	"			"	"	488,005 18 10		13,281 5 1		
Cootamundra to Wagga Wagga ...	"			"	"	328,617 4 11		151,677 14 10		
Great Western Line—										
Parramatta to Penrith ...	"			1858	"	320,400 13 9		3,945 6 1		
Penrith to Bathurst ...	"			1862	"	1,898,200 3 9		11,955 11 5		
Bathurst to Orange ...	"			1873	"	359,140 16 4		9,146 17 7		
Windsor and Richmond ...	"			1862	"	106,211 4 5		13,956 4 10		
Great Northern Line—										
Newcastle to West Maitland ...	"			1853	"	516,135 8 6		40,117 18 5		
West Maitland to Singleton ...	"			1858	"	341,486 16 1		2,810 14 9		
Singleton to Murrurundi ...	"			1867	"	727,710 8 2		2,496 18 5		
Murrurundi to Tamworth ...	"			1873	"	397,241 10 10		107,602 17 10		
Morpeth Branch ...	"			1862	"	56,482 13 11		685 3 11		
Rolling Stock—										
South and West ...	"			1850	"	870,156 16 5		142,755 7 6		
Windsor and Richmond ...	"			1862	"	5,226 1 1				
Northern ...	"			1853	"	270,310 12 9		23,937 13 2		
Tramway ...	"			1859	"	1,712 12 3				
Machinery—										
South and West ...	"			1850	"	27,003 11 11		4,783 5 11		
North ...	"			1853	"	7,869 8 3		185 19 11		
EXTENSIONS NOT OPEN FOR TRAFFIC.										
Wagga Wagga to Albury ...	Constructing...			1877	Unfinished		88,001 2 0	81,430 15 11		
Junece to Narrandera ...	"			1877	"		2,978 3 4	3 8 2		
Orange to Wellington ...	"			1877	"		202,209 19 11	167,605 3 7		
Wellington to Dubbo ...	"			1878	"		14,017 13 6	12,479 17 6		
Werris Creek to Gunnedah ...	"			"	"		109,939 6 6	104,578 6 3		
Tamworth to Armidale...	"			"	"		6,761 18 6	3,476 14 4		
Trial Surveys on Lines not sanctioned ...	"			"	"		69,298 0 0	14,886 19 1		
						£ 9,784,645 0 8	493,206 3 9	963,351 4 7		

Consolidated Revenue 329,945 12 9
 Loans 9,454,699 7 11
 £9,784,645 0 8

Consolidated Revenue 5,281 3 0
 Loans 481,925 0 9
 £487,206 3 9

No. 135 (continued)—RETURN of PUBLIC WORKS—continued.

Work, and where situated.	Whether Constructing or under Repair.	Estimated Expense.	Fund from which the Expense is defrayed.	When Com-menced.	Whether Finished or Unfinished.	If Finished, actual amount of Expenditure.	If Unfinished, amount of Expenditure to 31st December, 1878.	Amount expended in 1873.	Amount expended for Furniture in 1878.	Remarks.
						£ s. d.	£ s. d.	£ s. d.		
ROADS AND BRIDGES—continued.										
Newtown Boyd Road to Vegetable Creek	Maintenance, repair, and partial construction.		1875 ...	Unfinished	2,260 12 6	1,099 1 6	
Swan Creek to Maclean	"		1878 ...	"	18 7 11	18 7 11	
Lawrence to Tenterfield	"		1864 ...	"	55,803 12 10	7,983 3 7	
Tenterfield towards Bonshaw and Clifton	"		1878 ...	"	340 17 6	340 17 6	
Glen Innes to Inverell	"		1869 ...	"	14,852 0 10	2,282 14 8	
Armidale to Inverell	"		1878 ...	"	869 5 2	869 5 2	
Inverell to Bannockburn	"		" ..	"	209 19 7	209 19 7	
" to Warialda	"		1877 ...	"	1,066 4 5	440 0 6	
" to Queensland Border	"		1878 ...	"	331 6 6	331 6 6	
" to M'Intyre	"		1877 ...	"	251 16 8	62 1 8	
Glen Innes to Wellingrove	"		1875 ...	"	1,102 5 0	136 1 0	
East-street, Glen Innes	"		1877 ...	"	223 0 0	73 0 0	
Main North Road, Rocky Gully to Inverell	"		1874 ...	"	10,356 0 10	2,355 19 7	
Middleton to Crutchley's Crossing	"		1875 ...	"	672 16 4	213 10 3	
Armidale to Grafton	"		1864 ...	"	39,567 5 8	8,430 15 0	
" vid Rafferty's to Bundam	"		1878 ...	"	50 0 0	50 0 0	
" to Uralla and Walcha Road at Salisbury Plain	"		1872 ...	"	1,632 3 6	262 0 8	
Main North Road, Uralla to Walcha	"		1877 ...	"	599 19 8	476 9 8	
Manilla, vid Barraba, to Warialda	"		1874 ...	"	16,741 13 1	4,087 17 1	
Bingera to Bundarra	"		1878 ...	"	64 1 0	64 1 0	
Bendemeer to Walcha	"		1877 ...	"	630 0 0	400 0 0	
Cobbedah to Rocky Creek	"		1876 ...	"	3,784 7 6	1,089 10 0	
Moree, vid Warialda, to Yetman	"		" ..	"	2,550 8 2	2,141 17 8	
Narrabri and Walgett Road to Moree	"		" ..	"	1,718 15 9	1,004 9 0	
Merton-street, Boggabri	"		1878 ...	"	50 0 0	50 0 0	
Narrabri to Walgett	"		1868 ...	"	13,674 14 9	1,168 9 3	
Baradine to Pilliga	"		1878 ...	"	300 0 0	300 0 0	
Bingera to Moree	"		" ..	"	18 0 0	18 0 0	
Willow-tree to Narrabri	"		1868 ...	"	20,763 7 7	3,560 7 11	
Kempsey to Armidale	"		1872 ...	"	31,581 4 4	5,015 14 6	
Kempsey to Bellinger	"		1869 ...	"	6,106 14 10	1,559 12 10	
Grafton and Armidale Road to Bellinger	"		1877 ...	"	194 4 8	181 17 6	
Road North Bank of Bellinger	"		1878 ...	"	100 0 0	100 0 0	
Fernmount, vid Never Never, to Grafton and Armidale Road	"		" ..	"	395 0 0	395 0 0	
Fernmount to Never Never	"		" ..	"	72 9 0	72 9 0	
Warneton to New England	"		" ..	"	135 0 0	135 0 0	
Trial Bay to Navigable Waters of Macleay	"		" ..	"	63 5 0	63 5 0	
Belgrave to Kempsey and New England Road	"		" ..	"	43 12 5	43 12 5	
Walcha " "	"		" ..	"	13 12 0	13 12 0	
Missibotti to Nambuccra Heads	"		" ..	"	197 7 0	197 7 0	
Nambuccra Ferry to Gumma Gumma	"		" ..	"	50 0 0	50 0 0	
Walcha to Port Macquarie	"		1872 ...	"	10,209 10 0	3,498 16 10	
Port Macquarie to Kempsey	"		1864 ...	"	9,610 10 10	1,028 12 6	
Port Macquarie to Tacking Point	"		1872 ...	"	336 0 0	42 19 6	
Randon Island Road	"		1878 ...	"	100 0 0	100 0 0	
Old Lake Road	"		" ..	"	150 0 0	150 0 0	
Rolland's Plains to Kempsey	"		" ..	"	50 0 0	50 0 0	
Kempsey to Frederickton	"		1876 ...	"	700 0 0	250 0 0	
Euroka to Kempsey	"		" ..	"	437 0 0	47 0 0	
East Kempsey to Boggy Creek	"		1877 ...	"	574 15 0	237 5 10	

Consolidated Revenue

	Maintenance, repair, and partial construction.	1878	Unfinished				
Belgrave to Kempsey and Yarrowell Falls	1878	Unfinished	50	0	0
Green Hills to Yarrowell Falls	1877	125	0	0
Frederickton to Macleay Heads	"	724	13	4
Oake's Plains to Macleay Heads	"	350	5	0
Oake's Plains, <i>via</i> Clybuccra, to Macleay Heads	1878	99	14	0
Barnes's Falls to Port Macquarie and Walchi Road	"	22	0	0
Bradley's Conditional Purchase to Bouraville	"	100	0	0
Mitchell's Island Road	"	200	0	0
Wilson River to Port Macquarie and Walchi Road	1877	400	0	0
Long Reach to Clybuccra	1878	150	0	0
Cundle to Port Macquarie	1872	4,527	18	6
Approach, Cundle Wharf	1878	25	0	0
Tinonee to Cundle	1876	468	0	6
Tinonee and Bohnock Road to South Channel, Manning River	"	102	4	0
Tinonee and Gloucester Road to Clarkin's Crossing, Wollombi River	"	420	0	0
Tinonee to Bohnock	"	336	0	0
Tinonee to Wingham	"	296	18	0
Tinonee and Cundle Road to Wingham	"	606	13	4
Wingham to Wherrol Flat	"	222	16	0
Wingham to Bobin Flat	"	307	1	0
Wingham to Bungay	1878	20	0	0
Burril Creek to Wingham	1876	228	11	0
Cobark Road	1878	160	16	0
Dumaresq Island Road	"	33	5	0
Cundle, <i>via</i> Lansdown, to Pipeclay Creek	1876	509	5	9
Road through Oxley Island	1877	288	10	0
Stroud, <i>via</i> Gloucester, to Tinonee	1875	5,926	19	10
Gloucester, Road through	1878	40	0	0
Bulladelah to Stroud and Raymond Terrace Road	1876	725	8	3
Bulladelah to Foster	1878	42	10	0
Monkerai Range Pass	"	653	18	6
Dungog and Monkerai Road to Stroud	1876	276	3	10
Dungog, <i>via</i> Monkerai and Stroud, to Gloucester, at Langworthy's	"	393	11	0
Dungog Main-street	1878	145	0	0
Dungog to Chichester River	1876	479	16	0
Upper Myall to Bulladelah	1877	285	7	10
Bandon Grove to Little River	"	315	11	7
Dungog and Gloucester Road to Fosterton	"	155	10	9
Dungog and Chichester River Road to Underbank	"	338	13	4
Wollombi District Road	1878	545	19	6
Wollombi to 22nd Mile-post towards Wiseman's Ferry	"	9	15	0
Wiseman's Ferry towards Wollombi to 22nd Mile-post	"	10	0	0
Wiseman's Ferry to St. Albans	1872	822	14	1
Broken Back Gap, <i>via</i> Wyee, to Wyong Creek	1878	159	11	4
Mullring, <i>via</i> Ellalong, to Milfield	"	89	2	0
Cooranbong Wharf to Dora Creek	"	14	17	6
Wyong Creek to Bumble Hill	"	30	6	0
Wyong Creek to Gosford	"	254	19	9
Eastern Foot of Dividing Range to Wollombi	"	295	17	0
Wallsend to Maitland and Gosford Road at Cooranbong	"	68	12	8
Newcastle to Maitland	"	119	0	0
Newcastle to Wallsend	1873	612	19	1
Waratah to Maitland	1874	563	17	7
East Maitland <i>via</i> Oakvale to Broken Back Gap	1877	725	13	8
Clarence Town Wharf Approach	1878	199	19	0
Clarence Town, <i>via</i> Glen William, to Dungog	1877	208	19	5

Consolidated Revenue

No. 135 (continued)—RETURN of PUBLIC WORKS—continued.

Work, and where situated.	Whether Constructing or under Repair.	Estimated Expense.	Fund from which the Expense is defrayed.	When Com-menced.	Whether Finished or Unfinished.	If Finished, actual amount of Expenditure.	If Unfinished, amount of Expenditure to 31 December, 1878.	Amount expended in 1878.	Amount expended for Furniture in 1878.	Remarks.
ROADS AND BRIDGES—continued.							£ s. d.	£ s. d.		
Clarence Town to Dungog	Maintenance, repair, and partial construction.	Consolidated Revenue	1877	Unfinished	1,431 5 5	570 7 11	
Clarence Town to Half-way House	"		"	"	187 14 7	72 15 7	
Dunmore Bridge to Seaham and Clarence Town	"		"	"	767 11 6	272 14 6	
Paterson and Gresford Road to Clarence Town and Dungog	"		"	"	673 7 1	142 16 0	
Wallarobba Range Pass	"		1878	"	1,500 0 0	1,500 0 0	
Road at Hexham—ballasting river bank	"		"	"	202 19 0	202 19 0	
Raymond Terrace to Stroud	"		"	"	338 1 4	338 1 4	
Raymond Terrace to Macleay	"		"	"	366 5 0	366 5 0	
Raymond Terrace towards Maitland	"		1877	"	391 1 4	330 12 3	
Union Inn, Rutherford, to Ford at Melville	"		"	"	167 11 0	112 0 0	
Deep Creek to Allandale Railway Station	"		1878	"	194 8 0	194 8 0	
Turce to Green Hills, Fitzgerald's Lane	"		1877	"	561 14 0	97 10 0	
Main North Road, <i>via</i> Cessnock, to East Foot of Dividing Range	"		1878	"	11 9 0	11 9 0	
Minmi to Woodford	"		"	"	149 18 8	149 18 8	
Muswellbrook to Denman	"		1876	"	837 0 3	810 10 3	
Muswellbrook to Sandy Hollow	"		1878	"	82 0 0	82 0 0	
Muswellbrook to Bowmans	"		"	"	59 10 0	59 10 0	
Muswellbrook to Jerry's Plains	"		"	"	100 0 0	100 0 0	
Giant's Leap to Kerrabee	"		1876	"	936 19 6	546 12 0	
Scone and Denison Diggings Road, at Bellevue, <i>via</i> Cranney, to Nundles	"		"	"	949 7 4	114 17 6	
Scone and Merriwa Road to Middle Creek	"		1878	"	70 0 0	70 0 0	
Scone to Merriwa	"		1877	"	818 18 6	796 13 6	
Scone and Merriwa Road to Mount Mooby	"		1878	"	50 0 0	50 0 0	
Main North Road to Nundle, Hanging Rock, and Swamp Creek	"		1875	"	1,187 2 2	485 17 6	
Singleton to Coonabarabran	"		1872	"	28,895 7 5	3,633 2 4	
Quirindi to Coonabarabran	"		1878	"	150 19 4	150 19 4	
Main North Road south of Clifdale to Dry Creek	"		"	"	35 0 0	35 0 0	
Wallabadah, up Quirindi Creek	"		"	"	59 0 0	59 0 0	
Box-tree and Blandford Road to Green Creek	"		1877	"	138 9 6	4 10 0	
Low Country to Nowendoc	"		1878	"	176 8 5	176 8 5	
Silver Mines to Box Tree near Murrurundi	"		1876	"	530 3 6	30 3 6	
Bowling Alley Point to Nundle	"		1878	"	629 1 2	629 1 2	
Dungowan Creek to Cadells—north bank of river	"		"	"	21 0 0	21 0 0	
Dungowan, <i>via</i> Cadells, to Ogumbil Creek	"		"	"	112 0 0	112 0 0	
Currahulah to Tamworth	"		1864	"	4,636 5 11	249 6 6	
Approach Tamworth Railway Station	"		1878	"	886 11 8	886 11 8	
Tamworth to Bowling Alley Point	"	1874	"	2,974 12 3	913 15 1		
Tamworth, <i>via</i> Moore Creek, to Attunga	"	1878	"	60 0 0	60 0 0		
Tamworth to Gunnedah	"	1874	"	10,497 15 4	2,597 9 7		
Tamworth to Manilla	"	1864	"	8,268 5 2	1,474 4 9		
Manly to Middle Harbour	"	1872	"	767 2 10	92 6 4		
Rocky Point and Forest Roads	"	1878	"	482 1 6	482 1 6		
Cook's River Dam to Rocky Point Road	"	"	"	496 14 0	496 14 0		
Main West Road, Burwood, to Main South Road	"	"	"	173 8 5	173 8 5		
Campbelltown to Camden	"	1871	"	2,974 0 4	40 19 4		
Campbelltown to Narellen	"	1878	"	287 11 2	287 11 2		
Picton, <i>via</i> the Oaks, to Vanderville	"	1874	"	1,116 14 3	224 8 4		

Vanderville to Burragarang Mountain	Maintenance, repair, and partial construction.	1874	Unfinished	695 4 1	382 3 1
Throsby Park to Broughton Creek	"	1873	"	9,312 7 6	1,466 1 3
Broughton Creek to Kangaroo Ground	"	1876	"	1,588 18 8	1,494 3 8
Old South Road—Throsby Park to Kiama	"	1873	"	7,381 8 9	22 0 1
Good Dog Mountain Road	"	1878	"	1,303 5 6	1,303 5 6
Bowral to Robertson Park	"	1874	"	1,329 18 10	447 14 7
Bowral Roads, in vicinity	"	1878	"	200 0 0	200 0 0
Village of Robertson, <i>vid</i> Alcorn's Hill, to Macquarie Pass	"	1874	"	397 5 8	20 0 0
Old South Road—Cross Roads to Little Forest	"	1875	"	1,487 16 6	613 16 6
Bulli and Westmacott's Pass to Coal Cliff	"	1878	"	13 13 5	13 13 5
Bulli Pass—improving road	"	"	"	195 4 6	195 4 6
Top of mountain near Westmacott's Pass to Appin	"	"	"	398 1 6	398 1 6
Mittagong and Illawarra Road, <i>vid</i> Macquarie Pass, to Illawarra	"	1875	"	426 10 0	51 10 0
North Illawarra, <i>vid</i> Bulli and Westmacott's Pass, to Appin	"	1878	"	93 3 7	93 3 7
Fitzroy Iron Mines to Bowral	"	1871	"	1,182 0 0	150 4 0
Red Hill and Meryla Road, at Moss Vale, to Shoalhaven	"	1878	"	50 0 0	50 0 0
Bunter's, at Leary's, to Swamp	"	"	"	115 0 0	115 0 0
Kangaloon Main Road to Wingecaribee Swamp	"	"	"	30 0 0	30 0 0
Kerosene Mines to Cutaway Hill, Joadja Creek	"	"	"	30 7 6	30 7 6
Kangaroo Ground to Collyer's to Old South Road at Moss Vale	"	1876	"	177 0 0	65 0 0
Collyer's to Bernandoo	"	1878	"	50 0 0	50 0 0
Bomaderry Ferry to Ulladulla	"	1876	"	1,535 11 0	624 2 0
Berrima to Sutton Forest	"	"	"	250 0 0	100 0 0
Main South Road to Sutton Forest	"	1878	"	60 0 0	60 0 0
Throsby Park to Robertson Road to Kangaloon and Bowral Road	"	1876	"	171 10 0	171 10 0
Kangaloon and Bowral Road to west boundary of Central Illawarra	"	1877	"	278 8 4	145 19 10
Illawarra Road to Bond's Road	"	1878	"	11 7 0	11 7 0
Jordan's Crossing to Little Forest	"	"	"	39 0 0	39 0 0
Kiama Road, at Blenkinsop's, to Barrengarry Mountain	"	1877	"	337 6 0	267 1 0
Moss Vale to Jamberoo	"	1878	"	1,014 14 11	1,014 14 11
Alcorn's Store to Macquarie Pass	"	1877	"	31 0 0	6 0 0
Barren Ground to Burrawang	"	1878	"	56 10 0	56 10 0
Goulburn to Cooma	"	1874	"	58,750 12 10	3,522 3 10
Goulburn to Upper Tarlo	"	1878	"	46 0 0	46 0 0
Goulburn to Bathurst	"	1872	"	15,611 15 3	1,958 3 9
Currawang towards Goulburn	"	1874	"	4,027 3 3	628 6 9
Goulburn to Wheeo	"	"	"	10,037 10 3	2,078 9 4
Gullen to Laggan	"	"	"	1,086 3 6	345 12 3
Taralga towards Richlands	"	1878	"	324 7 0	324 7 0
Collector to Goulburn	"	1874	"	1,376 14 3	382 1 0
Goulburn to Bungonia	"	"	"	1,722 19 4	488 11 2
Goulburn, <i>vid</i> Oberon, to Tarana	"	1878	"	506 12 2	506 12 2
Goulburn to Windellima	"	1876	"	1,059 17 5	420 0 11
Marulan, <i>vid</i> Jacqua, to Windellima	"	"	"	1,090 10 3	416 18 9
Marulan to Lime Quarries	"	1878	"	160 0 0	160 0 0
Goulburn Railway Station to connect with metalled roads	"	1877	Finished...	2,500 0 0	2,100 0 0
Goulburn to Taralga	"	1876	Unfinished	3,861 16 5	1,541 3 0
Goulburn, <i>vid</i> Crookwell, to Binda	"	"	"	6,524 19 2	2,143 10 6
Laggan to Binda	"	1875	"	454 10 6	193 15 0
Wheeo to Binda	"	1878	"	232 10 11	232 10 11
Crookwell, Road through	"	"	"	700 0 0	700 0 0
Wheeo towards Crookwell	"	1877	"	334 9 1	184 9 1

Consolidated Revenue

No. 135 (continued)—RETURN of PUBLIC WORKS—continued.

Work, and where situated.	Whether Constructing or under Repair.	Estimated Expense.	Fund from which the Expense is defrayed.	When Com-menced.	Whether Finished or Unfinished.	If Finished, actual amount of Expenditure.	If Unfinished, amount of Expenditure to 31 December, 1878.	Amount expended in 1878.	Amount expended for Furniture in 1878.	Remarks.
						£ s. d.	£ s. d.	£ s. d.		
ROADS AND BRIDGES—continued.										
Mount Wayo to Peelwood	Maintenance, repair, and partial construction			1878	Unfinished		2,094 4 9	2,094 4 9		
Peelwood to Abercrombie				"	"		277 16 1	277 16 1		
Collector, <i>vid</i> Collector Lane, to Gunning				"	"		292 5 0	292 5 0		
Sharpening Stone Creek to Burrowa				1872	"		3,009 12 10	411 17 6		
Binalong to Burrowa				1877	"		359 9 8	40 5 4		
Queanbeyan to Gunning				1874	"		4,089 8 11	563 5 0		
Queanbeyan to Morumbateman				1878	"		236 14 4	236 14 4		
Yass to Woolgarlo				1875	"		607 11 5	291 4 1		
Fish River to Yass, at Roache's				1878	"		175 0 0	175 0 0		
Main South Road, Yass, to Gundaroo				1875	"		897 0 11	221 8 9		
Oolong Creek to Fish River				1878	"		1 14 0	1 14 0		
Dalton to Railway Platform, Jerrawa Creek				"	"		200 0 0	200 0 0		
Doughboy Hill to Yass				1874	"		4,861 16 7	1,285 3 10		
Bowning to Binalong				1878	"		154 8 4	154 8 4		
Bowning to Young				1864	"		14,224 11 5	573 9 2		
Gunning to Burrowa				"	"		4,791 16 2	757 0 1		
Burrowa to Young				1876	"		2,714 1 10	679 12 5		
Young to Bland				1878	"		899 9 3	899 9 3		
Young, <i>vid</i> Grenfell, to Forbes				1873	"		3,869 19 2	474 4 5		
Grenfell to Forbes				1878	"		131 10 0	131 10 0		
Young towards Railway, Murrumburrah (metalling road)				"	"		1,000 0 0	1,000 0 0		
Murrumburrah, <i>vid</i> Young and Wombat, to Grenfell				"	"		1,341 11 8	1,341 11 8		
Wallambeen to Murrumburrah				1872	"		1,061 11 11	72 16 6		
Tarago to Braidwood				1866	"		15,324 2 6	1,704 2 10		
Elrington to Araluen				1870	"		929 14 2	84 2 6		
Monga to Major's Creek				1871	"		2,909 13 10	180 0 0		
Braidwood to Elrington				1872	"		1,200 0 0	50 0 0		
Braidwood to Reidsdale				"	"		634 0 0	84 0 0		
Braidwood to Araluen				1864	"		8,139 13 1	292 16 8		
Elrington to Ballalaba				1875	"		271 10 0	131 10 0		
Clyde Road				1863	"		16,678 9 7	773 13 3		
Braidwood to Molonglo				1874	"		1,134 0 0	378 0 0		
Cooma to Braidwood				1875	"		1,023 9 8	315 9 8		
Nelligen to Bateman's Bay				1874	"		380 0 0			
Milton to Bateman's Bay				"	"		3,752 7 7	186 19 4		
Bateman's Bay to Mullenderee Cross Roads				1878	"		17 13 4	17 13 4		
Araluen to Moruya				1865	"		12,745 18 4	716 10 4		
Panbula to Wolumla				1867	"		1,745 7 6	83 6 0		
Bega to Numbugga				1878	"		600 0 0	600 0 0		
Bega to Nelson				1877	"		754 0 7	656 16 7		
Bega to Bodalla				1872	"		5,908 8 5	1,302 7 8		
Bega to Bembooka				1878	"		6 5 0	6 5 0		
Downing's Inn to Riley's Crossing				1872	"		967 7 0	221 15 2		
Wolumla Junction to Cross Roads				"	"		2,336 14 8	105 14 2		
Bombala to Delegate				1871	"		2,734 13 3	556 9 10		
Ponkally Road to Wallugla Lake				1878	"		44 0 0	44 0 0		
Bombala to Merimbula				1864	"		38,069 18 3	4,446 10 10		
Monaro to Low Country				1878	"		50 0 0	50 0 0		
Cooma to Bombala				1864	"		9,739 6 0	1,458 15 3		
Brianderry to Bega				1874	"		240 0 0	33 0 0		
Bega to Wolumla				"	"		3,698 4 7	582 18 7		
Cathcart to Panbula				1875	"		11,012 13 7	1,109 2 7		

Consolidated Revenue

	Maintenance, repair, and partial construction.	Consolidated Revenue	Unfinished				
Cathcart to Bobundarah...	1875	Unfinished	905 5 10
Merimbula to Jellat Jellat	1874	"	671 1 8
Bega to Tathra	1873	"	2,913 10 9
Holt's Flat to Railway Bridge	1876	"	1,462 0 0
Candelo to Kameruka	1877	"	112 0 0
Kameruka to Brown Mountain	"	"	977 14 9
Kameruka to Finger Post	1878	"	25 0 0
Ponkally Creek to Dignam's Creek	1877	"	322 10 4
Cooma to Buckley's Crossing	1878	"	101 0 0
Cooma to Coast Road at Cobargo	"	"	103 9 10
Tumut to Brungle	1870	"	993 11 1
Tumut to Snulla...	1878	"	170 0 0
Tumut to Adelong	1868	"	3,926 2 5
Adelong to Middle Adelong	1872	"	1,773 0 0
Main South Road to Middle Adelong	1864	"	6,562 11 7
Gundagai to Head Jones's Creek	1878	"	28 8 6
Gundagai to Tumut	1864	"	8,892 14 7
Adelong to Griffiths (Hillas Creek Road)	1874	"	335 1 0
Coolac to Cootamundra, <i>via</i> M'Leod's	1875	"	1,406 9 3
Middle Adelong to Tumbarumba	"	"	2,999 9 8
Upper Tumbarumba to Tumbarumba	1874	"	572 18 0
Tumut to Kiandra	1870	"	1,032 18 6
Tumut to Lac-ma-lac	1877	"	145 18 0
Riley's Crossing to Reedy Flat	"	"	184 15 0
Gundagai to Brungle Bridge	"	"	1,630 15 0
West Gilmore to Snulla	"	"	187 13 6
Wagga Wagga to Parish of Rowan	1878	"	126 0 3
Wagga Wagga to Urana	1877	"	1,453 0 8
Wagga Wagga to Lake Albert	1878	"	49 19 10
Wagga Wagga to Young	1864	"	11,177 6 3
Tarcutta to Wagga Wagga	"	"	8,072 16 6
Wagga Wagga to Narrandera	1868	"	7,218 7 2
Albury to Deniliquin	1864	"	24,125 19 1
Twelve-mile Creek to Wallerawang	1872	"	4,731 2 9
Albury to Urana	"	"	5,696 9 7
Main South Road at Germanton to Albury and Wagga	1874	"	3,248 0 5
Wagga Road at Cookendina	1878	Finished	300 0 0	1,356 16 4
Corowa Streets drainage	1874	Unfinished	300 0 0
Albury and Corowa Road to Urana	"	"	1,434 3 8
Gerogery, <i>via</i> Jindera, to Albury and Deniliquin Road at Bungowannah	1876	"	751 15 8
Albury and Howlong Road Diversion to avoid Hospital Hill	1878	"	632 2 3
Walla Walla to Gerogery and Bungowannah	1876	"	1,050 0 0
Main South Road, Little Billabong to Tumbarumba	"	"	1,827 1 6
Main Road through Albury	1877	"	1,311 6 10
Deniliquin to Urana	"	"	1,664 6 1
Urana Streets	1878	"	1,105 6 1
Deniliquin to Hay	"	"	2,216 3 2
Albury to Wagga Wagga	1873	"	1,510 2 7
Gundagai to Wagga Wagga	1804	"	800 0 0
Deniliquin to Balranald	"	"	5,770 17 6
Deniliquin to Moama	"	"	1,413 5 1
Balranald to Hay	"	"	28,142 1 7
Moama to Bama	"	"	5,015 5 5
Balranald to Euston and Wentworth	1875	"	1,116 16 4
Moama to Moulamein	1868	"	2,760 6 2
Walleragang to Tumbarumba	1877	"	7,395 12 6
				"	"	547 10 0
				"	"	430 4 0
				"	"	224 16 3
				1875	"	1,155 14 6
				"	"	1,001 15 5
				1877	"	70 5 6
				"	"	57 12 0

No. 135 (continued)—RETURN of PUBLIC WORKS—continued.

Work, and where situated.	Whether Constructing or under Repair.	Estimated Expense.	Fund from which the Expense is defrayed.	When Commenced:	Whether Finished or Unfinished.	If Finished, actual amount of Expenditure.	If Unfinished, amount of Expenditure to 31 December, 1878.	Amount expended in 1878.	Amount expended for Furniture in 1878.	Remarks.
		£				£ s. d.	£ s. d.	£ s. d.		
ROADS AND BRIDGES—continued.										
Berry's Hill, on Road between Main South Road and Albury and Wagga Wagga Road	Maintenance, repair, and partial construction.			1878	Unfinished		46 0 0	46 0 0		
Howlong to Gimbararina	"			"	"		148 0 0	148 0 0		
Pennant Hills to Parramatta Road	"			"	"		60 12 0	60 12 0		
Main Western Road, St. Mary's, to Orphan School Road Windsor to Penrith	"			"	"		16 0 6	16 0 6		
Blacktown to Riverstone Railway Station	"			1873	"		14 9 4	14 9 4		
Bell's Line to Colo River	"			1871	"		414 3 3	85 0 0		
Bell's Line, Railway Bridge to creek	"			1878	"		1,440 19 2	157 18 4		
Burns' Rock to Bridge, Wherry Creek	"			"	"		120 0 0	120 0 0		
Richmond Bridge to Mudgee Road, near Bowenfels	"			1876	"		3 1 4	3 1 4		
Cox's Hill to Cooper's, over bridge	"			1878	"		3,236 9 4	1,415 2 5		
Yarramundi to river	"			"	"		124 0 0	124 0 0		
Macquarie River, near end of George-street, Bathurst, to Kelso and Sofala Road	"			1877	"		100 0 0	100 0 0		
Enfield, via Sally's Bottoms, to Kurrajong	"			1878	"		52 7 2	33 15 0		
Back Creek, Railway Station, to No. 1 Swamp	"			1877	"		70 0 0	70 0 0		
Sackville Reach to Colo River	"			1877	"		1,131 8 11	1,066 18 5		
Colo to Currajong at Colo Creek	"			1878	"		47 10 0	47 10 0		
Mudgee Road to Rylstone	"			1877	"		500 0 0	498 0 0		
Mudgee Road	"			1878	"		28 10 0	28 10 0		
Mudgee Road, &c., to Meadow Flat	"			1857	"		133,915 3 9	8,616 5 6		
Hill End, via Hargraves, to Cudgegong	"			1878	"		98 7 8	98 7 8		
Bell's Line to Mount Wilson	"			1873	"		7,769 4 7	3,403 0 0		
Bell's Line to Pittman's Farm	"			1878	"		526 7 0	526 7 0		
Ginkin to Fish River Creek and Hartley Road	"			"	"		66 0 0	66 0 0		
Hartley to Oberon	"			1877	"		190 0 0	105 7 6		
Bowenfels to Blaxland's Swamp	"			"	"		746 13 4	461 4 0		
O'Connell's Plains to Wiseman's Creek	"			1878	"		182 8 6	182 8 6		
Blaxland's Swamp to Antonio Creek	"			1877	"		443 19 7	223 16 9		
Little Hartley to Kerosene Mines	"			1878	"		92 12 0	92 12 0		
Hartley to Blaxland's Swamp	"			1877	"		399 13 0	324 13 0		
Mutton's Fall to Fish River Creek Bridge	"			1878	"		32 0 0	32 0 0		
Main West Road, Little Hartley to Gambenang	"			1877	"		407 11 1	282 2 9		
Ginkin to Oberon Deviation	"			1878	"		78 4 0	78 4 0		
Caterson's to Wheeny Creek	"			"	"		249 18 0	249 18 0		
Wolgan Gap Road	"			"	"		440 2 11	440 2 11		
Hartley to Lithgow	"			"	"		44 18 0	44 18 0		
Oberon to Fish River Caves	"			"	"		566 1 0	566 1 0		
Ginkin to Tuglon	"			"	"		382 5 0	382 5 0		
Mount Victoria to Govett's Leap	"			"	"		284 9 6	284 9 6		
Mount Victoria to Kerosene Mines	"			"	"		107 13 0	107 13 0		
Mount Victoria to Mount Wilson	"			"	"		9 6 0	9 6 0		
Bowenfels to Wallerawang	"			"	"		88 19 6	88 19 6		
Oberon to Swatchfield	"			"	"		178 11 0	178 11 0		
Main Western Road, Magpie Hollow, to O'Connell's Plains	"			1877	"		749 10 9	431 2 5		
Bathurst, via Cowra, to Greenfell	"			"	"		1,686 9 0	778 3 6		
Bathurst Road to Bottom of Kanimbla Pass	"			1870	"		46,629 2 11	4,927 1 8		
Bathurst to Trunkney	"			1878	"		27 19 0	27 19 0		
Bathurst and Gorman's Hill, &c., Perth Platform	"			1866	"		11,180 16 0	1,052 15 2		
Bathurst to O'Connell's Plains	"			1878	"		3 18 0	3 18 0		
				1876	"		2,870 14 7	585 17 10		

Consolidated Revenue.

Bathurst, <i>vid</i> Dirty Swamp, to O'Connell's Plains	Maintenance, repair, and	1872	Unfinished	1,110	15	7	395	10	7
Bathurst and Cowra Road to Abercrombie	partial construction.	1878	"	146	11	0	146	11	0
Bathurst to Hill End	"	1872	"	11,870	11	7	2,185	1	5
Bathurst to near Monkey Hill	"	1878	"	1,742	6	0	1,742	6	0
Bathurst and Caloola Road to Rockley	"	1873	"	3,853	14	10	566	5	2
Bathurst and Caloola Road to Teapot Swamp	"	1878	"	39	15	0	39	15	0
Bathurst and Caloola Road, <i>vid</i> Limekilns and Cow	"	1874	"	1,477	10	11	339	2	4
Flat, to Rockley	"	1871	"	10,301	1	2	1,480	15	10
Bathurst to Sofala	"	1864	"	5,465	16	9	624	15	0
Bathurst to Ophir	"	1878	"	45	4	0	45	4	0
Kelso to Railway Station	"	1877	"	57	9	0	56	8	0
Kelso to Kelloshiel	"	1878	"	525	10	7	525	10	7
Kelloshiel to Little Forest	"	"	"	34	0	0	34	0	0
Main Western Road Glanmire to Kelso	"	1877	"	1,028	19	8	616	13	1
Kelso, <i>vid</i> Limekilns, to Peel and Sofala	"	1878	"	9	12	0	9	12	0
Kelso and Limekilns Road to Railway Station	"	1873	"	4,076	19	1	850	13	0
O'Connell's Plains to Fish River Creek	"	1875	"	809	16	11	68	16	9
O'Connell's Plains and Sidmouth Valley to Mutton's	"	1873	"	1,280	16	6	118	10	4
Falls and Oberon Road	"	1874	"	1,690	3	6	163	13	0
Arthur Town to Tuena	"	1878	"	148	0	8	148	0	8
Rockley to Caloola and Tuena	"	1872	"	1,613	9	3	180	11	3
Cadia towards Bathurst	"	1876	"	1,409	18	7	833	1	8
Sally's Flat to Talrabuccra	"	1878	"	142	10	0	142	10	0
Teapot Swamp to Trunkey	"	1877	"	665	6	10	406	6	0
Trunkey Creek, <i>vid</i> Public School, to Teapot Swamp	"	1878	"	131	13	6	131	13	6
Blayney, <i>vid</i> Square to Shaw	"	"	"	6	0	4	6	0	4
Ilford to Sofala	"	1876	"	3,210	4	5	961	18	6
Limekilns Road to Palmer's Okey and Upper Turon	"	1873	"	6,385	4	7	2,426	13	7
New Monkey Hill to Hill End	"	1878	"	145	14	6	145	14	6
Hill End, <i>vid</i> Braggs, to Main Western Road	"	1873	"	2,745	14	11	124	16	0
East-street, Rockley	"	"	"	6,633	19	10	2,096	16	5
Sofala to Tambaroora	"	1878	"	50	0	0	50	0	0
Mandurama to Canowindra	"	1875	"	2,338	17	10	1,121	6	8
Mandurama to Village of Somers	"	1878	"	350	0	0	350	0	0
Cowra to Young	"	1872	"	786	7	0	16	4	0
Cowra to Forbes	"	1878	"	83	1	10	83	1	10
Carcoar to Teapot Swamp	"	1876	"	1,851	0	9	612	11	6
Willow Glen, on Carcoar and Trunkey Creek Road	"	1864	"	1,731	16	11	295	0	0
Canowindra to Eugowra	"	"	"	10,255	3	9	1,016	0	11
Orange to Ophir	"	1866	"	32,012	15	8	6,550	1	10
Orange to Stony Creek	"	1871	"	3,438	14	1	420	3	0
Orange to Forbes	"	1870	"	16,109	16	3	3,646	19	9
Orange to Carcoar	"	1875	"	4,653	18	1	1,313	3	8
Orange, <i>vid</i> Boree, to Bushman's	"	"	"	679	4	8	128	12	7
Orange to Cargo	"	1876	"	1,914	19	5	884	18	11
Lucknow to Orange and Carcoar	"	1878	"	557	1	10	557	1	10
Icey to Spring Grove Railway Station	"	1877	"	211	2	0	83	10	10
Spring Grove Station to Cadia	"	"	"	820	1	8	195	1	8
Nesbitt's to Spring Hill Railway Station	"	"	"	569	8	7	312	5	8
Main Road Guyong to M'Kenna's	"	1866	"	4,710	18	2	951	3	11
Molong to Moramburn	"	1872	"	984	12	0	268	15	9
Molong to Obley	"	1877	"	919	12	9	883	12	9
Molong to Stony Creek	"	1878	"	821	7	9	821	7	9
Roads in Vicinity, Parkes and Forbes	"	"	"	189	15	8	189	15	8
Parkes to Forbes	"	"	"	504	17	10	504	17	10
Obley to Dubbo	"	"	"						
Forbes to Eugowra	"	"	"						

Consolidated Revenue

No. 135 (continued)—RETURN of PUBLIC WORKS—continued.

Work, and where situated.	Whether Constructing or under Repair.	Estimated Expense.	Fund from which the Expense is defrayed.	When Com-menced.	Whether Finished or Unfinished.	If Finished, actual amount of Expenditure.	If Unfinished, amount of Expenditure to 31 December, 1878.	Amount expended in 1878.	Amount expended for Furniture in 1878.	Remarks.
		£				£ s. d.	£ s. d.	£ s. d.		
ROADS AND BRIDGES—continued.										
Dubbo to Gilgandra	Maintenance, repair, and partial construction.	Consolidated Revenue.	1874	Unfinished	4,366 15 11	1,850 16 5	
Culvert, Willandra Creek, Dubbo	"		1878	"	60 0 0	60 0 0	
Wellington to Stony Creek	"		1877	"	1,308 10 8	1,081 10 8	
Cudgegong to Dubbo	"		1868	"	7,914 19 11	1,554 10 2	
Cudgegong to Cassilis	"		1873	"	2,936 6 0	924 4 8	
Cudgegong to Gulgong	"		1874	"	3,895 17 1	516 19 5	
Home Rule to Coolah	"		1875	"	3,581 6 8	1,745 11 8	
Roads in vicinity of Mudgee	"		1877	"	1,999 17 5	1,707 16 6	
Faulkener's, <i>via</i> Cobborah, to Mundooran	"		"	"	1,988 16 7	1,239 2 0	
Young to Forbes	"		1878	"	38 15 0	38 15 0	
Culvert, Barrett's Creek, Lachlan Road	"		"	"	81 10 0	81 10 0	
Solitary Junction to Cobborah	"		"	"	212 11 0	212 11 0	
Guntawang to Wellington	"		"	"	377 8 6	377 8 6	
Port Jackson to Peat's Ferry	"		1875	"	8,013 5 5	2,504 12 6	
Military Roads	"		"	"	8,710 16 8	969 15 0	
Abattoir Road	"		1874	"	3,378 16 10	185 19 3	
Newtown and Cook's River Road	"		1876	"	9,222 2 6	3,334 6 11	
Elizabeth-street, Waterloo	"		"	"	1,131 16 3	126 13 5	
Blue's Point to Main Lane Cove Road	"		1877	"	750 0 0	602 15 10	
Main West Road, Parramatta, through Newington	"		1878	"	220 8 2	220 8 2	
Waverley and Coogee Road Culvert	"		"	"	90 18 4	90 18 4	
Bourke-street, Waterloo	"		"	"	186 13 8	186 13 8	
Repairs to Bridges	"		"	"	8,921 6 2	
Repairs to Toll-bars	"		"	"	42 18 3	
Approach to Railway	"		"	"	8,703 19 0	
Expenses, Punts, Approaches	"		"	"	6,286 7 1	
Contingent Vote	"		"	"	8,440 0 0	
Estimated Tolls and Dues, Bridges and Ferries	"		"	"	530 9 0	
Tanks and Wells, Lachlan to Darling	"		1869	"	11,448 11 6	3,661 16 1	
Roads, Bridges, &c., Lachlan to Darling	"		1878	"	7,323 5 10	7,323 5 10	
Tolls, Lismore, Wiseman's Ferry	"		1876	"	499 14 2	99 19 5	
Taree, Punt and Approaches	"		1878	"	297 9 0	297 9 0	
Windsor Bridge Tolls	"		1876	"	124 0 0	63 15 0	
Richmond " "	"		"	"	205 18 7	171 10 4	
Hay " "	"		"	"	2,017 7 10	667 3 4	
Clarke's Lane	"	1877	"	136 2 0	88 2 0		
Roads, Punts, &c., Clarence District	"	"	"	1,800 17 4	1,796 15 7		
Tanks on Road, Balranald to Ivanhoe	"	1878	"	2,606 4 3	2,606 4 3		
Punts, &c., to connect Oxley and Mitchell Island with Mainland	"	"	"	849 9 6	849 9 6		
Punt, Richmond River, Coraki, and Wardell	"	1878	"	188 1 0	188 1 0		
Tank, Major's Waterhole	"	"	"	46 0 0	46 0 0		
Ferry to Manly Beach	"	"	"	1,000 0 0	1,000 0 0		
Punt, Congarini, Nambuccera	"	"	"	170 0 0	170 0 0		
Approach, Rooty Hill Station	"	"	"	599 13 3	599 13 3		
Reservoir Water Supply, Moruya	"	"	"	7 10 6	7 10 6		
Ballast and Metal, Cleveland-street	"	"	"	1,500 0 0	1,500 0 0	To Municipal Council, Sydney.	
Punt, Tinonee Ferry	"	"	"	100 0 0	100 0 0		
Reservoir, Wagga Wagga to Cootamundra	"	"	"	52 16 8	52 16 8		
Reservoir, Cootamundra	"	"	"	92 12 4	92 12 4		
Tanks, Hay to Deniliquin	"	"	"	20 5 0	20 5 0		

Dam at Copargo, Paroo Road	Maintenance, repair, and partial construction.	1878	Unfinished	603 15 0	603 15 0
Main West Road, through Penrith	Metaling	"	Finished	1,000 0 0	1,000 0 0
Bridge, M'Loughlin River	Construction	1877	"	598 7 5	242 7 5
" Namoi River	"	1876	Unfinished	92 6 8	Nil.
" Henry River	"	1875	Finished	1,637 5 8	282 5 0
" Chandler and Wollumumbi, and approaches	"	"	"	2,025 4 0	950 9 2
" Commissioner's Crossing	"	"	"	1,724 10 7	204 17 7
" Karuah River, and approaches	"	"	"	3,500 0 0	288 12 9
" Bega	"	"	"	3,789 7 6	2,535 3 6
" Wybong Creek, Muswellbrook, to Coolah Road	"	"	"	1,709 12 2	478 17 5
" Carcoar	"	1876	"	1,726 19 8	422 3 0
" Billabong, Albury to Wagga Wagga	"	1877	Unfinished	185 0 0	58 0 0
" and Road, Woodburn, to Selman's	"	1876	Finished	400 0 0	100 0 0
" Fawcett's or Fairy Mount Creek	"	"	"	1,068 9 3	20 5 0
" Somerton, Tamworth, to Gunnedah	"	1877	"	617 0 9	13 17 3
" Urara	"	"	"	500 0 0	64 6 11
" Denman's & Bowman's Crossing, and approaches	"	1876	Unfinished	4,087 8 5	1,087 1 0
" Abercrombie	"	"	"	3,176 15 10	1,252 2 5
" Kangaroo River	"	"	"	1,656 1 6	903 19 6
" Yanamble	"	"	"	534 6 0	384 6 0
" Paterson, at Gostywycke	"	"	Finished	5,445 6 6	3,506 10 3
" Shoalhaven, at Nowra	"	"	Unfinished	10 0 8	2 10 0
" Balranald	"	"	"	83 0 1	50 0 0
" Mungindi and Goondiwindi	"	"	"	56 9 8	Nil.
" Barwon, at Walgett	"	"	Finished	5,489 18 0	16 15 8
" Parramatta and Iron Cove	"	"	Unfinished	5,576 18 8	4,834 19 1
" Stony Creek, Maitland, to Paterson	"	1877	Finished	264 2 0	52 2 0
" Charcoal Creek, No. 1	"	"	"	394 3 4	312 10 0
" Charcoal Creek, No. 2	"	1878	Unfinished	447 0 0	447 0 0
" Warialda	"	1877	Finished	1,498 6 1	157 12 6
" Boorowa River	"	"	"	1,273 1 6	373 1 6
" Fish River and approaches	Maintenance, repair, and partial construction.	"	"	1,999 18 11	508 16 3
" Tumut District	"	"	"	500 0 0	29 8 2
" Darling, at Bourke	"	"	Unfinished	542 18 7	139 11 8
" Wollondilly, at Rossis	"	"	Finished	4,656 0 1	3,206 0 1
" Narrabri	"	"	"	3,176 16 3	2,186 6 3
" Cassilis River	"	1878	Unfinished	1,200 0 0	1,200 0 0
" Bridgewater, Western Road	"	"	"	340 0 0	340 0 0
" Peek's Creek, Abbotsford	"	"	Finished	861 1 2	861 1 2
" Sandy Creek, at Ellalong, and approaches	"	"	"	441 0 9	441 0 9
" Goobang Creek, Orange, to Bushman's	"	"	"	585 11 0	585 11 0
" Bullamby Creek	"	"	"	320 0 0	320 0 0
" Manilla Crossing	"	"	"	1,042 11 3	1,042 11 3
" Fish River, Newman's Crossing	"	"	Unfinished	850 0 0	850 0 0
" Talbragar, at Uarbry	"	"	Finished	586 19 2	586 19 2
" and Road, Dungog Creek	"	"	Unfinished	3 3 0	3 3 0
" Deep Creek, Casino, to Coraki and Woodburn	Construction	"	Finished	791 19 0	791 19 0
" Cowra to Carcoar	"	"	"	1,038 13 0	1,038 13 0
" Bowra Creek	"	"	"	525 0 0	525 0 0
" Lagoon, Manly, to Pittwater	"	"	"	640 16 6	640 16 6
" Yeo Yeo Creek	"	"	Unfinished	265 0 0	265 0 0
" Forbes to Condobolin	"	"	"	62 14 0	62 14 0
" Sandy Creek, Muswellbrook, to Wybong	"	"	Finished	295 0 0	295 0 0
" Cunningham's Creek	"	"	Unfinished	68 0 0	68 0 0
" Jembaicumbene	"	"	"	1,000 0 0	1,000 0 0
" Deepwater, Glen Innes, to Tenterfield	"	"	Finished	650 10 0	650 10 0
" Yellow Gully	"	"	"	352 1 4	352 1 4
" and approaches, Cook's River Dam	"	"	Unfinished	33 12 0	33 12 0
" Bullenbong Creek	"	"	"	396 0 0	396 0 0

No. 135 (continued)—RETURN of PUBLIC WORKS—continued.

Work, and where situated.	Whether Constructing or under Repair.	Estimated Expense.	Fund from which the Expense is defrayed.	When Com-menced.	Whether Finished or Unfinished.	If Finished, actual amount of Expenditure.	If Unfinished, amount of Expenditure to 31 December, 1878.	Amount expended in 1878.	Amount expended for Furniture in 1878.	Remarks.
		£		1878 ...		£ s. d.	£ s. d.	£ s. d.	£ s. d.	
ROADS AND BRIDGES—continued.										
Bridge, Oakenville Creek	Construction...	433	Consolidated Revenue	1878 ...	Finished...	433 15 6		433 15 6		
" Gilmore Creek	"	934		"	"	"	839 9 10		839 9 10	
" Page River, at Blandford	"	215		"	"	"	226 7 6		226 7 6	
" Avon Creek, Stroud to Manning	"	1,013		"	"	Unfinished		281 15 6	281 15 6	
" Blackman's Swamp	"	378		"	"	Finished...	378 0 0		378 0 0	
" Winburndale Rivulet	"	953		"	"	"	497 15 3		497 15 3	
" Campbell's River	"	1,656		"	"	Unfinished		322 14 0	322 14 0	
" Armidale Creek	"	1,000		"	"	"		2 0 0	2 0 0	
" Dawson River, Cundletown	"	2,026		"	"	"		373 1 5	373 1 5	
" Myall Creek	"	1,095		"	"	"		484 5 3	484 5 3	
" Nemingha Flat	"	338		"	"	Finished...	442 10 5		442 10 5	
" Rickaly's Creek, Windsor	"	460		"	"	"	477 4 0		477 4 0	
" Kangaloola Creek, Binda	"	500		"	"	Unfinished		500 0 0	500 0 0	
" Bara Creek	"	180		"	"	Finished...	180 0 0		180 0 0	
" Yanko Cutting	"	569		"	"	Unfinished		324 0 0	324 0 0	
" William's River... ..	"	6,000		"	"	"		1 1 6	1 1 6	
" Lachlan River, Condobolin	"	2,000		"	"	"		2 2 0	2 2 0	
" Alleyne	"	1,855		"	"	"		0 7 0	0 7 0	
" Wollumla Creek, Monaro to Eden	"	570		"	"	"		600 0 0	600 0 0	
" Broughton Mill Creek	"	331		"	"	"		106 0 0	106 0 0	
" Mulwaree Ponds	"	2,649		"	"	"		703 0 0	703 0 0	
" Nelligen Creek	"	300		"	"	Finished...	260 19 11		260 19 11	
" Hunter, at Aberdeen	"	3,000		"	"	Unfinished		1,259 17 6	1,259 17 6	
" Wollombi Brook	"	1,515		"	"	"		1,010 2 0	1,010 2 0	
" Bardonorang	"	425		"	"	Finished...	571 15 8		571 15 8	
" Yass River, Gundaroo	"	800		"	"	Unfinished		334 10 6	334 10 6	
" Styx River	"	1,000		"	"	"		200 0 0	200 0 0	
" Hunter, at Muswellbrook	"	15,000		"	"	"		221 11 9	221 11 9	
" Tamworth to Warialda... ..	"	1,100		"	"	"		455 0 0	455 0 0	
" Tuena Creek	"	1,000		"	"	"		6 5 0	6 5 0	
" Narrabri to Moree	"	1,550		"	"	"		12 10 0	12 10 0	
" Stony Creek, Broad Arrow Road	"	150		"	"	"		119 16 8	119 16 8	
" Wollondilly River, Wheeo Road	"	2,500		"	"	"		70 16 8	70 16 8	
" Gougher's Gully	"	500		"	"	"		348 1 3	348 1 3	
" O'Brien's, Yass	"	2,000		"	"	"		37 10 0	37 10 0	
" On road Wollombi to Maitland	"	500		"	"	"		37 10 0	37 10 0	
" Rickaly's Creek, Cornwallis	"	500		"	"	"		560 11 9	560 11 9	
" Lancaster Creek... ..	"	350		"	"	Finished...	253 14 6		253 14 6	
" Jerry's Creek	"	80	"	"	"	80 0 0		80 0 0		
Amount issued to Trustees from Unclassified Vote, 1878								5,343 0 0		
Amounts issued to Trustees from Minor Roads Schedule, under Trustees, 1878 :—										
Northern District... ..								10,560 0 0		
Southern District... ..								8,678 16 4		
Western District								5,042 0 0		
						60,567 5 5	2,811,922 17 7	500,745 0 2		

HARBOURS AND RIVERS BRANCH.

DREDGE SERVICE.

Excavation of Silt by Dredges	Progressing		
"	"		
"	"		
Small Dredge and Punts for Sydney Harbour	Constructing		
Iron Punts for Dredges, Sydney	"		
New Boilers Tug "Thetis" and Dredge "Vulcan"	"		
Renewing Old Dredge "Hercules" and Punts	Repairs		
Two large Iron Punts for Dredges "Newcastle" and "Samson."	Constructing		
Landing Silt and forming ground, Sydney Harbour	Progressing		
"	"		
"	"		

Consolidated Revenue
Loans & Con. Rev.

1876	Finished	51,743 8 11
1877	"	61,919 11 7
1878	Unfinished	
1875	"	55,986 16 2
1878	"	5,735 3 10
"	"	4,470 6 0
"	"	2,219 0 2
"	"	4,000 0 0
"	"	6,125 0 0
1877	Finished	9,997 6 1
1878	Unfinished	
"	"	4,934 6 2

3,337 10 10*
7,364 5 11
55,986 16 2
1,911 3 10
4,470 6 0
2,219 0 2
4,000 0 0
6,125 0 0
1,380 2 4
4,934 6 2

*£20 of this amount represents outstanding accounts of previous years.

SYDNEY.

Works at outlet of Sewer, Fort Macquarie	Constructing		
Sea-wall, Botanical Gardens, towards Macquarie Point	"		
Continuation and formation of Macquarie-street	"		
Public Wharf, Watson's Bay	"		
Sea-wall, Dawes' Point	"		
" Coogee Bay	"		
Wharf, Ryde, Parramatta River	"		
" Parramatta River, opposite Salt Works	"		
" Pennant Hills	"		
Wharf, Newington, Parramatta River	"		
Government Wharf, Longbottom	"		
Sewer from Glebe boundary to Blackwattle Sewer	"		
Reclamation, Rushcutter Bay	Improving		

Consolidated Revenue

1876	"	719 14 9
"	"	2,318 17 1
1875	"	13,002 3 6
1876	"	1,050 0 0
1877	"	4,314 5 6
1878	"	62 5 0
"	"	6 15 0
"	"	363 3 0
"	"	3 12 0
"	"	151 5 0
"	"	240 13 8
"	"	988 8 1
"	"	994 18 6

0 3 7
1,026 17 4
5,422 16 10
487 4 9†
2,078 3 1
62 5 0
6 15 0
363 3 0
3 12 0
151 5 0
240 13 8
988 8 1
994 18 6

†£50 of this amount was paid from Vote of Incidental Expenses to Wharfs, &c., for 1878.

NEWCASTLE AND HUNTER RIVER DISTRICT.

Buoys and Beacons	Constructing		
Newcastle Wharf	Lighting Lamps		
"	"		
Road through Bullock Island	"		
Wharf and Shipping Appliances, Newcastle and Bullock Island (exclusive of Steam Cranes on Newcastle Wharf).	Constructing		
Southern Breakwater	"		
Public Wharf, Paterson	"		

Loans & Con. Rev.

1876	Unfinished	856 6 1
1877	Finished	189 0 0
1878	Unfinished	155 5 0
1876	"	2,916 1 9
1858	"	172,975 16 3
1866	"	51,155 8 7
1876	Finished	967 19 3

88 18 5
51 15 0
155 5 0
442 9 5
14,019 9 3
9,557 16 2
192 1 8

LAKE MACQUARIE.

Improving Entrance	Improving		
--------------------	-----------	--	--

Consolidated Revenue.

1878	Unfinished	754 6 5
"	Unfinished	16 10 0

754 6 5
16 10 0

HAY.

Wharf and Shipping Appliances	Constructing		
-------------------------------	--------------	--	--

"

"	Unfinished	16 10 0
---	------------	---------

16 10 0

CLARENCE RIVER.

North Breakwater	Constructing		
Dredge, Tug, and Punts	"		
Extension, Southern Dyke	"		
Public Wharf, &c., Brushgrove	"		
Wharf, Copmanhurst	"		

Loans & Revenue
Consolidated Revenue

1868	Unfinished	32,571 4 9
1872	"	24,350 6 8
1877	"	12,890 0 1
"	"	327 0 0
1878	"	100 16 0

4,952 4 10
273 14 1
9,977 19 1
127 0 0
100 16 0

†£70 6s. 3d. of this amount was paid from Vote for Incidental Expenses to Wharfs, &c., for 1878.

MORUYA RIVER.

Northern Breakwater	Constructing		
---------------------	--------------	--	--

Loans & Rev.

1873	Unfinished	16,060 13 8
------	------------	-------------

5,897 10 10

§£134 2s. 5d. of this amount was paid from Vote for Incidental Expenses to Wharfs, &c., for 1878.

MANNING RIVER.

Wharf at Croke	Constructing		
" Cundletown	"		
" Wingham	"		

Consolidated Revenue

1878	Unfinished	0 17 0
1877	Finished	1,070 6 3
"	"	1,134 2 5

0 17 0
540 15 3†
226 16 6§

No. 135 (continued).—RETURN of PUBLIC WORKS—continued.

Work, and where situated.	Whether constructing or under Repair.	Estimated Expense.	Fund from which the Expense is defrayed.	When Com-menced.	Whether Finished or Unfinished.	If Finished actual amount of Expenditure.	If Unfinished, amount of Expenditure to 31 December, 1878.	Amount expended in 1878.	Amount expended for Furniture in 1878.	Remarks.
		£				£ s. d.	£ s. d.	£ s. d.	£ s. d.	
HARBOURS AND RIVERS BRANCH—continued.										
Murray, Murrumbidgee, and Darling Rivers ...	Improving Navigation of.	Loans & Con. Rev.	1866 ...	Unfinished	132,923 1 3	*13,292 10 1	*The work this year has been confined to the Darling and Murrumbidgee Rivers.
Edwards River ...	" "	Loans	1872 ...	"	4,764 11 2	1,157 13 7	
MOAMA.										
Wharf and Shipping Appliances ...	Constructing...	Con. Rev.	1878 ...	"	51 3 9	51 3 9	
WENTWORTH.										
Public Wharf ...	"	"	"	"	576 17 5	576 17 5	
TRIAL BAY.										
Harbour of Refuge ...	"	Loans & Con. Rev.	1874 ...	"	14,191 19 7	10,266 15 3	
FITZROY DOCK, Cockatoo Island										
Dock and other Works in connection with Docking Establishment ...	Elongation of	Loans	1873 ...	Unfinished	8,237 5 3	845 9 4	
Fitzroy Dock Salaries to 1870	Con. Rev.	Finished...	43,430 15 6	
" " 1878	"	1878 ...	"	925 16 8	925 16 8	
Workshops and other Buildings	"	Unfinished	9,108 14 6	24 6 6	
Docking Vessels and other Contingent Expenses	Con. Rev.	1876 ...	Finished...	4,531 16 8	1,193 18 8	
" " "	"	1877 ...	"	3,308 17 10	905 1 6	
" " "	"	1878 ...	Unfinished	3,256 15 0	3,256 15 0	
Machinery ...	Nearly all erected and in use.	"	11,757 6 10	295 9 6	
MISCELLANEOUS.										
Harbour Surveys	Con. Rev.	1877 ...	Finished...	995 4 0	43 4 4	
" " "	"	1878 ...	Unfinished	1,828 4 0	1,828 4 0	
Incidental Expenses to Wharfs, } Bridges, and other Public Works }	Repairs, &c.	"	1877 ...	Finished...	16,243 12 5	†1,219 17 0	†£82 13s. 11d. of this amount was paid on account of 1876.
" " " ...	"	"	1878 ...	Unfinished	17,513 17 10	17,513 17 10	
New Steam Launch (Treasury)	"	1875 ...	Finished...	3,000 18 7	729 10 11	
Public Buildings, Parramatta	Drainage	"	1876 ...	"	6,861 14 6	†1,571 14 6	†£861 14s. 6d. of this amount was paid from Vote for Incidental Expenses to Wharfs, &c., for 1878.
Breakwater, Shellharbour	Constructing	"	1878 ...	Unfinished	140 15 8	140 15 8	
Public Wharf, Port Macquarie	"	"	1877 ...	"	1,000 13 0	320 9 0	
Wollongong Basin	Widening and improving..	"	"	"	1,900 8 1	1,852 18 7	
Erection of three Steam Cranes and extra Coal Sidings, Wollongong ...	Construction	"	1878 ...	"	572 11 6	572 11 6	
Toward lengthening Eden Wharf ...	Constructing...	"	"	"	5 10 0	5 10 0	
Removing Obstructions, Richmond River ...	Improving	"	"	"	739 4 7	739 4 7	
Public Wharf, Rocky Point, Nambucca River	Constructing...	"	"	"	12 12 0	12 12 0	
Public Baths, Lavender Bay	"	"	"	"	341 16 5	341 16 5	
Deepening and improving Yanko Cutting from the Murrumbidgee ...	Progressing	"	"	"	82 0 0	82 0 0	
Towards removing sunken Rocks, Camden Haven...	Improving	"	"	"	300 0 0	300 0 0	
Surveys in connection with Water Supply for Sydney, Newcastle, Maitland, &c., &c.	Progressing	"	"	"	7,003 19 2	7,003 19 2	
						206,320 10 8	672,716 17 11	218,001 4 11	

COLONIAL ARCHITECT—PUBLIC BUILDINGS, &c.

SYDNEY.

795-2 M

Office of Clerk of the Peace	Repairs	
Fort Macquarie	Repairs, &c.	
Office of Minister for Justice	Repairs	
Office of Engineer-in-Chief for Railways	"	
Colonial Stores	"	
Governor's Guard House	"	
Commissariat Stores	"	
Watch-house, Cumberland-street	"	
" Darlinghurst	"	
" Kent-street	"	
" George-street, South	"	
Circular Quay, Dead House	"	
" Closets and Urinals	Cleaning and repairing	
" Tide-waiter's Office	Repairs	
" Boatman's House	"	
Observatory	Additions	2,100
"	Alterations, &c.	
Naval Depot	Repairs	
Volunteer Brigade Office	Furniture	
Flagstaff Hill Reserve	Wall and iron railing	3,500
"	Gas-lighting	
Office of Inspector of Stock	Repairs	
Office of District Court Judge, Temple Court	Furniture	
Hyde Park, Dwarf-wall, &c., Colledge and Boomerang Streets	Erecting	3,200
Hyde Park, Public Lamps	Gas-lighting	
Office of Marine Board	Furniture	
Office of Engineer-in-Chief for Roads	Repairs	
University	Repairs, &c.	
Captain Hixson's Residence, Dawe's Point	Repairs	
Stamp Office	Repairs, &c.	
Office of Exhibition Commissioners	Furniture	
Foxlowe Place	Widening street	
Victoria Park, Dwarf-wall, &c.	Erecting	2,000
Shipping Office	Furniture	
Telegraph Office	Repairs	
" Stables, Castlereagh-street	Erecting	
" York-street	"	
Railway Ticket and Parcels Office	"	900
Divorce Court	Furniture	
Government House	Repairs and alterations	
" Stables	Repairs, &c.	
Parliamentary Draftsman's Office	Repairs	
Office of Lands Commission	Furniture	
Darlinghurst Gaol	Additions repairs, &c.	
General Post Office	Alterations, repairs, &c.	
Coroner's Office	Additions, &c.	500
Colonial Secretary's Office	Repairs, &c.	
Public Works Office	"	
"	Gas-lighting	
Government Printing Office	Additions	6,200
"	Alterations, &c.	
"	Fittings, &c.	1,100
Police Depot, Carter's Barracks	Repairs, &c.	
Colonial Architect's Office	Additions	1,100
"	"	800
"	Repairs	
" Temple Court	Rent	

Consolidated Revenue.

1878	Finished...	0 14 0	0 14 0	30 16 10
"	"	236 19 0	236 19 0	
"	"	7 16 10	7 16 0	34 13 6
"	"	90 11 0	90 11 0	388 14 4
"	"	43 7 10	43 7 10	
"	"	19 16 8	19 16 8	
"	"	210 19 9	210 19 9	
"	"	9 0 8	9 0 8	
"	"	38 8 11	38 8 11	
"	"	8 17 2	8 17 2	
"	"	27 5 3	27 5 3	
"	"	6 12 8	6 12 8	
"	"	59 5 3	59 5 3	
"	"	14 9 6	14 9 6	
"	"	3 10 0	3 10 0	
1877	"	2,048 0 0	548 0 0	84 15 3
1878	"	818 6 11	818 6 11	
"	"	4 7 1	4 7 1	16 13 10
1877	Unfinished			7 0 6
1878	Finished...	42 0 0	42 0 0	
"	"	15 10 8	15 10 8	10 17 6
"	"			16 0 0
1877	"	2,922 6 10	1,202 6 10	
1878	"	295 2 6	295 2 6	
"	"			32 9 0
"	"	6 1 5	6 1 5	55 16 0
"	"	168 0 0	168 0 0	
"	"	5 13 5	5 13 5	
"	"	93 1 6	93 1 6	
"	"			4 16 0
"	Unfinished	3,750 0 0	3,750 0 0	
"	Finished...		1,930 0 0	0 10 0
"	"	12 10 0	12 10 0	
"	"	208 15 6	208 15 6	
"	Unfinished		260 0 0	
"	Finished...	1,074 14 6	1,074 14 6	18 15 0
"	"			823 6 3
"	"	492 13 7	492 13 6	
"	"	470 4 9	470 4 9	
"	"	2 7 10	2 7 10	4 10 0
"	"			3 12 6
"	"	1,807 10 1	1,807 10 1	32 0 0
"	"	483 16 5	483 16 5	119 12 11
"	"	609 6 3	609 6 3	61 5 8
"	"	256 1 0	256 1 0	57 19 6
"	"	302 18 10	302 18 10	108 8 10
"	"	12 6 4	12 6 4	
1877	"	6,770 0 0	2,570 0 0	
1878	"	1,475 12 6	1,475 12 6	86 14 5
"	Unfinished		900 0 0	
"	Finished...	259 0 6	900 0 0	
1877	"	1,175 0 0	475 0 0	291 9 0
1878	Unfinished		650 0 0	
"	Finished...	579 1 0	650 0 0	
"	"	63 12 1	63 12 1	

STATISTICS—1878.

275

No. 135 (continued)—RETURN of PUBLIC WORKS—continued.

Work, and where situated.	Whether Constructing or under Repair.	Estimated Expense.	Fund from which the Expense is defrayed.	When Com-menced.	Whether Finished or Unfinished.	If Finished, actual amount of Expenditure.	If Unfinished, amount of Expenditure to 31 December, 1878.	Amount expended in 1878.	Amount expended for Furniture in 1878.	Remarks.
		£				£ s. d.	£ s. d.	£ s. d.	£ s. d.	
COLONIAL ARCHITECT—PUBLIC BUILDINGS, &c.—continued.										
SYDNEY—continued.										
Audit Office	Repairs		1878 ...	Finished...	11 15 0	11 15 0	92 11 4	
Parliamentary Buildings	Additions, &c.	1,500		" ...	" ...	1,968 0 0	1,968 0 0	1,453 7 6	
"	Alterations, &c.		" ...	" ...	2,226 4 9	2,226 4 9	
"	Gas-lighting		" ...	" ...	70 0 0	70 0 0	
Central Police Office	Additions, &c.		" ...	" ...	355 3 11	355 3 11	34 3 6	
Supreme Court	"	3,500		1877 ...	Unfinished	3,087 0 0	787 0 0	296 14 7	
"	Repairs, &c.		1878 ...	Finished...	509 2 3	509 2 3	
Office of Inspector of Distilleries	"		" ...	"	30 6 1	
Victoria Barracks	Additions, repairs, &c.		" ...	" ...	1,216 18 9	1,216 18 9	26 6 6	
"	Emptying Privies, &c.		" ...	" ...	237 5 4	237 5 4	
"	Dwarf Wall and Iron Railing		" ...	Unfinished	520 0 0	
Botanic Gardens—New Lecture Room, &c.	Erecting	1,200		1877 ...	"	4,200 0 0	3,200 0 0	
"	Director's Residence		1878 ...	Finished...	342 19 6	342 19 6	22 16 0	
"	Buildings		" ...	" ...	326 1 0	326 1 0	
Sheriff's Office	"		" ...	" ...	10 18 5	10 18 5	20 11 9	
Free Public Library	"		" ...	" ...	88 4 10	88 4 10	112 12 3	
Office of Minister for Mines	"		" ...	" ...	45 19 8	45 19 8	53 0 1	
Surveyor General's Office	Additions	500		" ...	Unfinished	400 0 0	400 0 0	987 13 7	
"	Repairs, &c.		" ...	Finished...	195 2 11	195 2 11	
Office of Minister for Lands	Repairs, alterations, &c.		" ...	" ...	648 1 7	648 1 7	722 8 6	
New Lands Office	Erecting	52,000		1876 ...	Unfinished	40,200 0 0	17,500 0 0	
New Public Works Offices	"	60,000		1874 ...	"	76,118 17 11	23,694 13 6	
"	Finishing Trades	35,000		1878 ...	"	2,500 0 0	2,500 0 0	
Artillery Barracks	Additions, repairs, &c.		" ...	Finished...	522 14 10	522 14 10	55 17 6	
Water Police Court	Additions	800		" ...	Unfinished	750 0 0	750 0 0	61 15 10	
"	Repairs		" ...	Finished...	31 4 9	31 4 9	
Office of Engineer-in-Chief for Harbours and Rivers	"		" ...	" ...	16 10 2	16 10 2	9 8 6	
Hyde Park Asylum	Repairs, alterations, &c.		" ...	" ...	561 11 11	561 11 11	45 14 8	
Office of Inspector General of Police	Repairs		" ...	" ...	10 11 0	10 11 0	58 3 9	
Crown Law Offices	"		" ...	" ...	55 5 3	55 5 3	98 4 9	
Commodore's Residence, Macquarie-street... ..	"		" ...	" ...	25 3 8	25 3 8	46 5 3	
Colonial Treasury	"		" ...	" ...	120 15 11	120 15 11	11 3 6	
Australian Museum	"		" ...	" ...	71 10 2	71 10 2	92 16 1	
Crown Lands Occupation Office	"		" ...	" ...	78 16 7	78 16 7	35 10 0	
Darlinghurst Court-house	"		" ...	" ...	169 15 5	169 15 5	10 13 6	
Registrar General's Office	Alterations, repairs, &c.		" ...	" ...	561 9 9	561 9 9	152 2 3	
Custom-house... ..	Repairs, &c.		" ...	" ...	189 0 9	189 0 9	52 9 1	
Darlinghurst Lunatic Receiving House	"		" ...	" ...	30 18 2	30 18 2	31 13 10	
Government Domain	Gas-lighting		" ...	" ...	203 0 0	203 0 0	
"	Buildings		" ...	" ...	245 17 2	245 17 2	
Mint	Repairs, draining, &c.		" ...	" ...	47 2 3	47 2 3	55 19 6	
District Court... ..	Additions, repairs, &c.		" ...	" ...	426 15 4	426 15 4	3 12 6	
Insolvent Court	Repairs		" ...	" ...	9 4 8	9 4 8	1 9 6	
Fort Phillip Signal Station	Additions	200		" ...	Unfinished	100 0 0	100 0 0	0 18 0	
Sydney Streets	Gas-lighting		" ...	Finished...	309 15 0	309 15 0	
Coffins for Paupers	Coffins and burials		" ...	" ...	178 12 6	178 12 6	
NEWTOWN.										
Watch-house	Repairs		" ...	" ...	3 0 0	3 0 0	
GLEBE ISLAND.										
Abattoir	Constructing tank, &c.	5,500		1876 ...	" ...	9,485 10 11	2,115 19 3	
"	Repairs, &c.		1878 ...	" ...	414 13 9	414 13 9	

Consolidated Revenue.

GOAT ISLAND.													
Gunpowder Magazine	Repairs, &c.			Consolidated Revenue.	1878	Finished...	266 0 0		266 0 0				
PORT JACKSON.				Loans	"	"	450 0 0		450 0 0				
Harbour Defences generally	Superintendence, &c.												
GEORGE'S HEAD.				Consolidated Revenue.	"	"	119 14 2		119 14 2				
Barracks	Repairs, &c.			"	"	"	152 7 9		152 7 9				
MIDDLE HEAD.				Loans	"	"	832 17 9		832 17 9				
Barracks	Repairs, &c.												
BRADLEY'S HEAD.				Consolidated Revenue.	"	"	533 19 2		533 19 2	276 16 8			
Fortifications	Fencing			Loans	1876	Unfinished		27,633 18 9	8,482 5 0				
SPRING COVE.					1878	Finished...	91 4 0		91 4 0	0 10 0			
Quarantine Station	Additions, &c.				1877	"	894 0 0		394 0 0	9 17 9			
SOUTH HEAD.					1878	"	211 0 7		211 0 7				
Fortifications	Additions	840			"	"	30 4 0		30 4 0				
Barracks	Repairs, &c.				"	"	106 15 0		106 15 0				
Hornby Light-house	Additions				"	Unfinished		2,000 0 0	2,000 0 0				
"	Repairs, &c.				"	"							
Macquarie Light-house	Erecting	3,500			"	Finished...	58 0 0		58 0 0				
Signal Station	Repairs & alterations				"	"	316 3 9		316 3 9				
Female Reformatory	Repairs				"	"	1 9 9		1 9 9				
WATSON'S BAY.					"	Finished...	54 7 4		54 7 4				
Barracks (rented)	Repairs				"	"	3 12 9		3 12 9				
Police Station	Repairs				"	"	19 17 7		19 17 7				
Life-boat Shed	Repairs				"	Unfinished		2,450 0 0	2,450 0 0				
BOTANY.					"	"		3,100 0 0	3,100 0 0				
Watch-house	Repairs				"	Finished...	246 0 0		246 0 0	44 13 0			
La Perouse's Monument	"				"	Unfinished		200 0 0	200 0 0				
BALMAIN.					"	Finished...	702 9 2		702 9 2				
Watch-house	Repairs				"	Unfinished		400 0 0	400 0 0	50 13 9			
CALLAN PARK.					"	Finished...	413 5 10		413 5 10				
Lunatic Asylum, Lodges, &c.	Erecting	2,000			"	"	0 13 7		0 13 7				
"	"	8,100			"	"							
"	Repairs	350			"	Unfinished		246 0 0	246 0 0				
"	Tiling roofs	750			"	Unfinished		200 0 0	200 0 0				
"	Repairs, &c.				"	Finished...	702 9 2		702 9 2				
COCKATOO ISLAND.				Consolidated Revenue.	"	Unfinished		400 0 0	400 0 0	50 13 9			
Reformatory	Additions, &c.	720			"	Finished...	413 5 10		413 5 10				
"	Repairs & alterations				"	"	0 13 7		0 13 7				
Sheriff's Residence	Repairs				"	"							
ST. LEONARDS.					"	"							
Post and Telegraph Office	Purchase of Site				"	"	350 0 0		350 0 0				
SPECTACLE ISLAND.					"	"							
Gunpowder Magazine	Additional Cottages, &c.	2,300			1877	"	1,965 0 0		410 0 0	18 10 0			
"	Repairs & alterations				1878	"	1,362 9 2		1,362 9 2				
GLADESVILLE.					"	Unfinished		700 0 0	700 0 0				
Hospital for the Insane	New wing	38,000			"	"		1,650 0 0	1,650 0 0				
"	Superintendent's residence.	3,500			"	"							
"	Additions, alterations, and repairs.				"	Finished...	6,815 12 0		6,815 12 0	240 0 11			
RYDE.					"	"							
Court-house	Repairs				"	"	6 6 8		6 6 8	2 0 0			
Police Station	Additions				"	"	25 0 0		25 0 0				
HASLEM'S CREEK.					"	"							
Mortuary Station	Repairs				"	"	40 0 0		40 0 0				
REDFERN.					"	Unfinished		2,000 0 0	2,000 0 0				
Court and Watch House	Erecting	2,100			"	"							

No. 135 (continued)—RETURN of PUBLIC WORKS—continued.

Work, and where situated.	Whether Constructing or under Repair.	Estimated Expense.	Fund from which the Expense is defrayed.	When Com-menced.	Whether Finished or Unfinished.	If Finished, actual amount of Expenditure.	If Unfinished, amount of Expenditure to 31 December, 1878.	Amount expended in 1878.	Amount expended for Furniture in 1878.	Remarks.	
COLONIAL ARCHITECT—PUBLIC BUILDINGS, &c.—continued.			£			£ s. d.	£ s. d.	£ s. d.	£ s. d.		
PARRAMATTA.											
Lunatic Asylum	Additions	15,150	Consoli- date Revenue.	1874	Finished...	19,020 16 8		250 0 0			
"	Temporary buildings..	32,500		1878	Unfinished		1,500 0 0	1,500 0 0			
"	New Laundry	900		"	"	"	450 0 0	450 0 0			
"	Repairs, alterations, &c..			"	Finished...	1,893 10 10		1,893 10 10	137 0 7		
Hospital	Repairs, &c.	1,950		"	Unfinished		1,250 0 0	1,250 0 0			
Protestant Orphan School	Additions	800		"	"	"	650 0 0	650 0 0			
"	Repairs, alterations, &c..			"	Finished...	452 18 10		452 18 10	26 2 0		
Roman Catholic Orphan School	Repairs, &c.	350		"	Unfinished		250 0 0	250 0 0	10 4 7		
"	Alterations, &c.			"	Finished...	227 11 7		227 11 7			
Benevolent Asylum	Repairs, &c.			"	"	231 2 11		231 2 11			
Court-house	Repairs			"	"	72 3 6		72 3 6	23 5 4		
Erysipelas Hospital	Repairs, &c.	500		"	Unfinished		450 0 0	450 0 0	9 10 0		
Police Station	Repairs			"	Finished...	16 16 0		16 16 0			
Post and Telegraph Office	Erecting	4,000		"	Unfinished		1,200 0 0	1,200 0 0			
"	Repairs			"	Finished...	17 10 1		17 10 1			
Gaol	Additions and repairs		"	"	1,454 9 4		1,454 9 4	3 3 3			
NEWCASTLE.											
Court-house	Additions, &c.		Consoli- date Revenue.	"	Finished...	329 10 6		329 10 6	9 19 0		
Asylum for Imbeciles	Slating roofs...	1,500		"	"	1,355 0 0		1,355 0 0	48 6 3		
"	Additions	3,200		"	Unfinished		900 0 0	900 0 0			
"	Repairs, &c.			"	Finished...	1,216 1 5		1,216 1 5			
Telegraph Station	Tar Paving, &c.			"	"	94 0 6		94 0 6	90 0 0		
Post Office	Repairs			"	"	32 15 0		32 15 0			
Custom House	Wall and railing	700		"	Unfinished		550 0 0	550 0 0	529 0 8		
"	Laying on gas			"	Finished...	180 8 0		180 8 0			
Harbor Master's Residence	Repairs			"	"	146 18 5		146 18 5			
Harbor Master's Office	"			"	"	19 17 6		19 17 6			
Leading Light Towers	"			"	"	0 16 6		0 16 6			
Police Station	Fencing, &c...			"	"	124 8 9		124 8 9			
Pilot Station	Tank			"	"	20 0 0		20 0 0			
Fortifications	Gun Platforms			"	"	515 4 0		515 4 0			
Barracks	Furniture			"	"				19 0 0		
Police Magistrate's Residence	Repairs		"	"	6 4 10		6 4 10				
Marine Board Office	Furniture		"	"				0 14 0			
Hospital	Fencing		"	"	149 10 0		149 10 0				
Watch-house	Repairs		"	"	7 10 0		7 10 0				
BATHURST.											
Court-house	Erecting	25,000	Consoli- date Revenue.	1878	Unfinished		5,753 0 0	5,753 0 0	27 7 3		
Police Buildings	"	1,600		"	"		1,000 0 0	1,000 0 0	1 16 0		
"	Repairs			"	Finished...	26 0 0		26 0 0			
Gaol	Repairs, &c.			"	"	183 10 9		183 10 9	20 2 8		
Lockup	Erecting	1,800		"	"	1,938 17 10		1,938 17 10			
Post Office	Additions, &c.			"	"	271 7 9		271 7 9	193 4 8		
Telegraph Office	Furniture			"	"				505 14 0		
Lands Office	"			"	"				8 10 0		
GOULBURN.											
Gaol	Repairs, &c.			Consoli- date Revenue.	1878	Finished...	610 18 9		610 18 9	12 10 0	
Police Station	Repairs		"		"	46 9 0		46 9 0			
Court-house	"		"		"	45 11 9		45 11 9	17 9 0		

Lock-up	Repairs, &c.				155 2 1		155 2 1	
Survey Office	Furniture							15 0 0
GUNNING.								
Court-house	Additions	1,500		1878 ...	Unfinished	200 0 0	200 0 0	4 7 0
MOSS VALE.								
Court-house	Repairs, &c.			" ...	Finished...	112 9 0	112 9 0	47 10 6
Police Station	Erecting			" ...	"	105 0 0	105 0 0	
GUNDAGAI.								
Police Station	Erecting	1,500		" ...	Unfinished	250 0 0	250 0 0	
Court-house	Additions, &c.			" ...	Finished...	405 0 0	405 0 0	34 5 0
Gaol	Repairs			" ...	"	23 4 2	23 4 2	48 0 0
Post and Telegraph Office	Purchase of site			" ...	"	150 0 0	150 0 0	
Lands Office	Furniture			" ...	"			6 1 0
YASS.								
Court-house	Erecting	8,000		" ...	Unfinished	2,050 0 0	2,050 0 0	12 0 0
Post and Telegraph Office	Purchase of site			" ...	Finished...	528 0 0	528 0 0	
Gaol	Repairs			" ...	"	93 10 0	93 10 0	
Police Buildings	Repairs, &c.			" ...	"	27 10 1	27 10 1	
QUEANBEYAN.								
Post and Telegraph Office	Erecting	2,900		" ...	Unfinished	1,700 0 0	1,700 0 0	
Court and Watch House	Purchase of site			" ...	Finished...	250 0 0	250 0 0	
Police Station	Repairs			" ...	"	17 8 9	17 8 9	39 2 9
Gaol	Fencing, &c.			" ...	"	74 0 0	74 0 0	
"	Additions	500		" ...	"	577 7 6	577 7 6	
"	Repairs			" ...	"	24 1 5	24 1 5	
Lands Office	Furniture			" ...	"			79 5 9
WENTWORTH.								
Gaol	Repairs			" ...	"	10 0 0	10 0 0	
Police Buildings	Erecting	1,800		" ...	Unfinished	1,250 0 0	1,250 0 0	
ALBURY.								
Police Station	Repairs			1877 ...	Finished...	8 0 0	8 0 0	
Court-house	Additions	1,250		" ...	"	1,067 0 0	55 0 0	
"	Repairs			1878 ...	"	93 15 0	93 15 0	8 10 0
Lands Office	Furniture			" ...	"			
Gaol	Repairs			" ...	"	52 0 0	52 0 0	
Post Office	Erecting	4,450		" ...	Unfinished	680 0 0	680 0 0	
COOMA.								
Lunatic Asylum	Additions, &c.	1,300		" ...	"	250 0 0	250 0 0	
"	Alterations, &c.			" ...	Finished...	496 4 0	496 4 0	
Court-house	Additions, &c.	2,500		1877 ...	"	2,379 10 0	1,054 10 0	
"	Additional works, &c.			1878 ...	"	397 19 1	397 19 1	106 15 11
Crown Lands Office	Furniture			" ...	"			
Post and Telegraph Office	Erecting	2,400		1877 ...	Unfinished	1,570 0 0	1,075 0 0	
Police Station	"	2,000		1878 ...	"	900 0 0	900 0 0	
MURRUMBURRAH.								
Police Station	Repairs			" ...	Finished...	1 1 3	1 1 3	
Court-house	"			" ...	"	0 4 8	0 4 8	
Post and Telegraph Office	Erecting	1,200		" ...	Unfinished	660 0 0	660 0 0	
BENDEMEER.								
Court-house	Repairs			" ...	Finished...	0 15 0	0 15 0	
Police Station	"			" ...	"	17 5 0	17 5 0	
WAGGA WAGGA.								
Gaol	Repairs			" ...	"	49 14 10	49 14 10	
Post and Telegraph Office	Additions, &c.	900		" ...	"	884 8 7	884 8 7	
Court-house	Wall and railing	1,500		" ...	"	1,775 0 0	1,775 0 0	0 14 0
"	Repairs, &c.			" ...	"	106 2 6	106 2 6	
Quarters for Sub-inspector of Police	Erecting	1,200		" ...	"	1,162 0 0	1,162 0 0	
Police Station	Repairs, &c.			" ...	"	9 0 0	9 0 0	
"	Alterations			" ...	Unfinished	250 0 0	250 0 0	

Consolidated Revenue.

No. 135 (continued)—RETURN of PUBLIC WORKS—continued.

Work, and where situated.	Whether Constructing or under Repair.	Estimated Expense.	Fund from which the Expense is defrayed.	When Com-menced.	Whether Finished or Unfinished.	If Finished, actual amount of Expenditure.	If Unfinished, amount of Expenditure to 31 December, 1878.	Amount expended in 1878.	Amount expended for Furniture in 1878.	Remarks.
		£				£ s. d.	£ s. d.	£ s. d.	£ s. d.	
COLONIAL ARCHITECT—PUBLIC BUILDINGS, &c.—continued.										
WAGGA WAGGA—continued.										
Lands Office	Furniture		1878 ...	Finished...	60 3 0	
Lock-up	"		" ...	"	5 0 0	
BERRIMA.										
Gaol	Repairs, &c.		" ...	" ...	148 1 3	148 1 3	0 4 0	
Police Station... ..	Erecting	1,200		1877 ...	" ...	1,029 17 8	779 17 8	9 10 0	
BRAIDWOOD.										
Watch-house	Repairs	240		1878 ...	Unfinished	50 0 0	50 0 0	
Court-house	"	260		" ...	"	50 0 0	50 0 0	46 14 10	
"	"		" ...	Finished...	12 14 6	12 14 6	
Police Station... ..	"		" ...	" ...	10 5 0	10 5 0	
Gaol	"		" ...	" ...	25 12 1	25 12 1	1 13 0	
Post and Telegraph Office	Furniture		" ...	"	5 10 0	
SEYMOUR.										
Court-house	"		" ...	Finished...	18 18 4	
TUMUT.										
Court-house	Wall and railing		" ...	" ...	617 0 0	617 0 0	40 10 0	
Post and Telegraph Office	Purchase of site		" ...	" ...	240 0 0	240 0 0	
LIVERPOOL.										
Benevolent Asylum	Additions	1,000		" ...	Unfinished	700 0 0	700 0 0	23 10 9	
"	Repairs, &c.		" ...	Finished...	138 14 1	138 14 1	
Post and Telegraph Office	Purchase of site		" ...	" ...	200 0 0	200 0 0	
YOUNG.										
Court-house	Additions	624		" ...	Unfinished	125 0 0	125 0 0	90 2 11	
Police Station	Repairs		" ...	Finished...	84 19 6	84 19 6	18 14 0	
Gaol	Additions, repairs, water supply, &c.	Consolidated Revenue.	" ...	" ...	1,207 5 6	1,207 5 6	54 15 0	
Post and Telegraph Office	Erecting	2,750		1877 ...	" ...	2,710 0 0	2,160 0 0	
EDEN.										
Court-house	Repairs		1878 ...	" ...	32 1 5	32 1 5	
Light-house	"		" ...	" ...	67 17 3	67 17 3	
Custom House	"		" ...	" ...	2 16 7	2 16 7	
HAY.										
Gaol	"		" ...	" ...	5 10 0	5 10 0	
Court-house	Erecting	2,600		1877 ...	" ...	2,593 17 6	43 17 6	299 10 0	
"	Raising walls, &c.		1878 ...	" ...	424 0 0	424 0 0	
Police Station... ..	Alterations, &c.		" ...	" ...	278 10 0	278 10 0	
Lock-up	Additions, &c.	1,000		" ...	" ...	937 0 0	937 0 0	
Post and Telegraph Office	Additions	600		" ...	" ...	575 0 0	575 0 0	
Lands Office	Furniture		" ...	"	119 6 6	
WOLLONGONG.										
Light-house	Repairs		" ...	" ...	6 7 9	6 7 9	
Police Station... ..	"		" ...	" ...	7 17 6	7 17 6	
Gaol	"		" ...	" ...	11 3 6	11 3 6	
Post and Telegraph Office	"		" ...	" ...	11 6 6	11 6 6	
Court-house	"		" ...	" ...	24 5 2	24 5 2	13 19 10	
JERVIS BAY.										
Light-house	"		" ...	" ...	143 16 4	143 16 4	7 17 0	
ULLADULLA.										
Court-house	Fencing		" ...	" ...	33 9 0	33 9 0	
Light-house	Repairs		" ...	" ...	4 0 0	4 0 0	

No. 135 (continued)—RETURN of PUBLIC WORKS—continued.

Work, and where situated.	Whether Constructing or under Repair.	Estimated Expense.	Fund from which the Expense is defrayed.	When Com-menced.	Whether Finished or Unfinished.	If Finished, actual amount of Expenditure.	If Unfinished, amount of Expenditure to 31 December, 1878.	Amount expended in 1878.	Amount expended for Furniture in 1878.	Remarks.
COLONIAL ARCHITECT—PUBLIC BUILDINGS, &c.—continued.			£			£ s. d.	£ s. d.	£ s. d.	£ s. d.	
GRETA.										
Lock-up	Erecting	1,000	Con. Rev. ...	1878 ...	Unfinished	295 0 0	295 0 0	
SOLITARY ISLAND.										
Light-house	Erecting	14,450	Loans	" ...	"	396 11 3	396 11 3	
WINDHAM.										
Police Station	Additions		" ...	Finished...	39 0 0	39 0 0	
MERRIWA.										
Post and Telegraph Office	Purchase of site		" ...	" ...	100 0 0	100 0 0	
" "	Erecting	1,575		" ...	Unfinished	80 0 0	80 0 0	
SCONE.										
Post and Telegraph Office	Purchase of site		" ...	Finished...	100 0 0	100 0 0	
" "	Erecting	1,200		" ...	Unfinished	867 0 0	867 0 0	
Lock-up	Repairs		" ...	Finished...	21 4 6	21 4 6	
ST. ALBAN'S.										
Police Station... ..	"		" ...	" ...	7 15 0	7 15 0	
WILSON'S DOWNFALL.										
Court-house	Repairs, &c.		" ...	" ...	91 0 0	91 0 0	1 10 0	
Lock-up	Repairs		" ...	" ...	13 10 0	13 10 0	
Police Buildings	"		" ...	" ...	18 0 0	18 0 0	
PORT STEPHENS.										
Light-house	Repairs		" ...	" ...	104 12 10	104 12 10	
Custom House	"		" ...	" ...	8 14 7	8 14 7	
BULLAHDELAH.										
Court-house	"		" ...	" ...	1 0 0	1 0 0	
DENISON TOWN.										
Court-house	Furniture		" ...	"	5 1 9	
MURRURUNDI.										
Post and Telegraph Office	Additions	Consoli-dated Revenue	" ...	" ...	469 7 0	469 7 0	
Court-house	"		" ...	" ...	170 0 0	170 0 0	
Police Station... ..	Repairs		" ...	" ...	21 12 6	21 12 6	
BINGERA.										
Court and Watch House	Additions	2,300		" ...	" ...	2,288 11 2	2,288 11 2	
Lands Office	Furniture		" ...	"	16 1 0	
INVERELL.										
Lock-up	Additions	900		" ...	Unfinished	350 0 0	350 0 0	
Police Barracks	Erecting	1,300		" ...	"	490 0 0	490 0 0	
BREEZA.										
Police Station... ..	"		" ...	Finished...	299 10 0	299 10 0	1 12 0	
NUNDLE.										
Lock-up	Repairs		" ...	" ...	4 0 0	4 0 0	
Police Station	"		" ...	" ...	39 11 9	39 11 9	
BACK CREEK.										
Warden's Office	Erecting		" ...	Finished...	40 0 0	40 0 0	
DENMAN.										
Police Station... ..	Additions		" ...	" ...	19 12 2	19 12 2	
Court-house	Furniture		" ...	"	1 10 0	
CLARENCE TOWN.										
Court-house	Repairs		" ...	" ...	210 0 0	210 0 0	
Post and Telegraph Office	Purchase of site		" ...	" ...	100 0 0	100 0 0	
BLACK CREEK.										
Police Buildings	Erecting		" ...	" ...	416 0 0	416 0 0	

Location	Description	Amount	Year	Status	Revenue	Revenue	Revenue
TINGHA.	Police Station...		1878	Finished...	231 10 0	231 10 0	
BARRABA.	Police Station...		1878	Finished...	91 13 4	91 13 4	5 16 2
GLEN INNES.	Court-house ...	Additions ...	1878	Unfinished		500 0 0	500 0 0
	Watch-house ...	"	"	"		150 0 0	150 0 0
PORT MACQUARIE.	Police Station...	Repairs	1878	Finished...	11 0 0	11 0 0	
	Gaol ...	Furniture	"	"			2 17 6
	Court-house ...	"	"	"			15 19 9
TENTERFIELD.	Court-house ...	Repairs, &c. ...	1878	Finished...	24 0 0	24 0 0	
	Gaol ...	Repairs	"	"	145 15 0	145 15 0	
COORANBONG.	Court and Watch House	Erecting Stable	1877	Finished...	275 0 0	175 0 0	
"	"	Repairs, &c. ...	1878	"	35 0 0	35 0 0	4 0 10
WARIALDA.	Court and Watch House	Additions, &c. ...	1877	Finished...	950 0 0	100 0 0	160 8 10
	Police Station...	Repairs, &c. ...	"	"	223 5 0	223 5 0	
	Post and Telegraph Office	Purchase of Site	"	"	100 0 0	100 0 0	
SALT CREEK.	Police Station...	Repairs	1878	Finished...	5 0 0	5 0 0	
RICHMOND.	Post and Telegraph Office	Repairs	1878	Finished...	58 5 0	58 5 0	
	Court-house ...	Erecting	1877	"	1,790 0 0	1,140 0 0	
VEGETABLE CREEK.	Court-house ...	Repairs, &c. ...	1878	Finished...	52 15 0	52 15 0	65 19 0
MACLEAN.	Court-house ...	Furniture	1878	Finished...			0 19 6
RAYMOND TERRACE.	Police Station...	Repairs, &c. ...	1878	Finished...	120 4 0	120 4 0	
	Court-house ...	"	"	Unfinished		100 0 0	
MOGIL MOGIL.	Police Station...	Erecting	1877	Finished...	355 0 0	205 0 0	
BRANXTON.	Police Station...	Erecting	1878	Finished...	91 0 0	91 0 0	
YETMAN	Police Station...	Erecting	1877	Finished...	428 0 0	220 15 0	
MOREE.	Police Station...	Repairs	1878	Finished...	82 18 0	82 18 0	
	Court-house ...	Erecting	"	Unfinished		500 0 0	29 11 0
CANONBAE.	Court and Watch House	Erecting	1877	Finished...	2,123 0 0	1,123 0 0	78 5 8
	Police Station...	Additions	1878	"	125 0 0	125 0 0	
WALGETT.	Court-house ...	Furniture	"	Finished...			6 15 0
LISMORE.	Court and Watch House	Erecting	1877	Finished...	1,496 10 2	1,096 10 2	
"	"	Tanks...	1878	"	18 0 0	18 0 0	24 11 0
WOLLOMBI.	Court-house ...	Repairs	1878	Finished...	3 12 8	3 12 8	
CONDOBOLIN.	Court-house ...	Furniture	1878	Finished...			33 13 6
SEAL ROCKS.	Light-house ...	Repairs	1878	Finished...	16 6 6	16 6 6	
QUIRINDI.	Police Station...	Additions, &c. ...	1878	Finished...	122 2 0	122 2 0	1 16 0
	Court-house ...	Furniture	"	"			33 18 3

Consolidated Revenue.

No. 135 (continued)—RETURN of PUBLIC WORKS—continued.

Work and where Situated.	Whether Constructing or under Repair.	Estimated Expense.	Fund from which the Expense is defrayed.	When Com-menced.	Whether Finished or Unfinished.	If Finished, actual amount of Expenditure.	If Unfinished, Amount of Expenditure to 31 December, 1878.	Amount expended in 1878.	Amount expended for Furniture in 1878.	Remarks.	
COLONIAL ARCHITECT—PUBLIC BUILDINGS, &c.—continued.											
		£				£ s. d.	£ s. d.	£ s. d.	£ s. d.		
WALCHA.											
Court-house	Repairs	Consolidated Revenue.	1878 ...	Finished...	85 0 0	85 0 0	14 19 6		
Lands Office	"		" ...	"	5 5 0	
MACLEAY RIVER.											
Pilot Station	"		" ...	"	0 8 0	0 8 0	
NARRABRI.											
Gaol	Kitchen		" ...	"	29 10 0	29 10 0	
Police Station... ..	Erecting	1,200		" ...	Unfinished	300 0 0	300 0 0	300 0 0	41 10 4	
Post and Telegraph Office	"	1,400		" ...	"	1,000 0 0	1,000 0 0	1,000 0 0	
GUNNEDAH.											
Police Station... ..	Furniture		" ...	Finished...	1 12 0	
Court-house	Erecting	3,300		" ...	Unfinished	850 0 0	850 0 0	850 0 0	
Lock-up	Repairs		" ...	Finished...	10 0 0	10 0 0	
CLARENCE RIVER HEADS.											
Customs' Station	"		" ...	"	13 6 0	13 6 0	
COONAMBLE.											
Court and Watch-house	Fencing, &c.	" ...	Unfinished	400 0 0	400 0 0	400 0 0		
" "	Repairs	" ...	Finished...	74 13 9	74 13 9	51 15 0		
MURWILLUMBA.											
Court and Watch-house	Repairs, &c.	" ...	"	59 3 5	59 3 5	41 1 3		
BUNDABRA.											
Court-house	Repairs	" ...	"	13 0 0	13 0 0	0 8 0		
BOGGABRI.											
Court-house	Erecting	1,500	" ...	"	1,385 0 0	1,385 0 0	67 9 1		
Police Station... ..	Erecting Stable	" ...	"	160 0 0	160 0 0		
Lock-up	Repairs	" ...	"	6 10 0	6 10 0		
STROUD.											
Court and Watch-house	Erecting	2,400	" ...	1876 ...	" ...	2,317 0 0	517 0 0		
" "	Additional Works	" ...	1878 ...	" ...	288 3 0	288 3 0		
WEST KEMPSEY.											
Court-house	Furniture	" ...	"	11 16 0		
Post and Telegraph Office	Purchase of Site	" ...	"	250 0 0	250 0 0		
" "	Erecting	1,600	" ...	" ...	Unfinished	200 0 0	200 0 0		
TAMBA SPRINGS.											
Police Station... ..	"	" ...	1877 ...	Finished...	265 0 0	190 0 0		
LAMBTON.											
Court and Watch-house	"	1,550	" ...	" ...	" ...	1,015 0 0	90 0 0	15 4 9		
" "	Additions	600	" ...	1878 ...	" ...	594 0 0	594 0 0		
" "	Tank	" ...	" ...	Unfinished	60 0 0	60 0 0		
WALLSEND.											
Court and Watch-house	Erecting	1,550	" ...	1877 ...	Finished...	1,970 0 0	1,050 0 0		
" "	Additions	600	" ...	1878 ...	" ...	623 0 0	623 0 0		
" "	Kitchen, &c.	" ...	" ...	Unfinished	300 0 0	300 0 0		
DUNGOG.											
Post and Telegraph Office	Purchase of Site	" ...	" ...	Finished...	60 0 0	60 0 0		
CURRABUBULA.											
Police Station... ..	Erecting	" ...	" ...	" ...	430 0 0	430 0 0		
BALLINA.											
Police Station	Repairs	" ...	" ...	" ...	8 0 0	8 0 0		
Court-house	Additions, &c.	1,000	" ...	" ...	Unfinished	300 0 0	300 0 0		

TACKING POINT.													
Light-house	Erecting	1,750	Consolidated Revenue.	1878	Unfinished	1,600 0 0	1,600 0 0					
WOLLAR.													
Police Station... ..	Repairs			"	Finished... ..	12 0 0	12 0 0				
WOODBURN.													
Court-house	Furniture			"	"	35 6 8				
BELLINGER RIVER.													
Pilot Station	Repairs			"	"	58 12 4	58 12 4				
CAMDEN HAVEN.													
Police Station... ..	"			"	"	3 15 0	3 15 0				
Pilot Station	"			"	"	4 10 0	4 10 0				
WEE WAA.													
Court-house	Erecting	2,000			"	Unfinished	350 0 0	350 0 0				
CANOWINDRA.													
Court-house	Furniture			"	Finished...	23 12 11				
BROKE.													
Police Buildings	Erecting			"	"	393 16 8	393 16 8				
BULLOCK ISLAND.													
Watch-house	"	1,150			"	Unfinished	250 0 0	250 0 0				
Tide-waiter's Box	"			"	Finished... ..	20 0 0	20 0 0				
WILBERFORCE.													
Police Station... ..	Repairs		"	"	33 10 0	33 10 0					
MILTON.													
Court and Watch House	Additions, &c. ...	450		"	"	470 18 0	470 18 0					
Lands Office	Furniture		"	"	8 10 0					
ADELONG.													
Warden's Office	"		"	"	29 14 11					
Court-house	Additions, &c. ...	1,200		"	"	1,155 0 0	1,155 0 0					
TUENA.													
Court-house	Furniture		"	"	8 2 0					
URALLA.													
Court-house	"		"	"	15 7 0					
COROWA.													
Post and Telegraph Office	Purchase of site		"	"	250 0 0	250 0 0					
Lands Office	Furniture		"	"	71 15 6					
Court-house	"		"	"	1 5 0					
TUMBERUMBA.													
Court-house	"		"	"	0 12 0					
MOOROOWOLEN.													
Police Station... ..	Erecting	1,150		1877	"	1,110 0 0	450 0 0					
"	Tank, &c.		1878	"	293 0 0	293 0 0					
GLADSTONE.													
Court-house	Furniture		"	"	4 3 6					
CRESSNOCK.													
Court-house	"		"	"	0 2 7					
MOAMA.													
Police Station... ..	Erecting	2,000		1877	"	1,191 7 6	141 7 6					
"	Additional Works		1878	"	96 10 0	96 10 0	4 14 10					
Lands Office	Furniture		"	"	22 5 4					
Court-house	"		"	"	6 18 6					
"	Repairs		"	"	3 1 6	3 1 6					
CASSILIS.													
Post and Telegraph Office	Purchase of site		"	"	100 0 0	100 0 0					
Court-house	Furniture		"	"	48 1 7					
BUCKLEY'S CROSSING-PLACE.													
Lock-up	Additions		"	"	52 0 0	52 0 0					
Police Station... ..	Repairs, &c.		"	"	36 0 0	36 0 0					
NIMITYBELLE.													
Court-house	"		"	"	188 19 0	188 19 0					

No. 135 (continued)—RETURN of PUBLIC WORKS—continued.

Work, and where situated.	Whether Constructing or under repair.	Estimated Expense.	Fund from which the Expense is defrayed.	When Com- menced.	Whether Finished or Unfinished.	If Finished, actual amount of Expenditure.	If Unfinished, amount of Expenditure to 31 December, 1878.	Amount expended in 1878.	Amount expended for Furniture in 1878.	Remarks.	
COLONIAL ARCHITECT—PUBLIC BUILDINGS, &c.—continued.			£			£ s. d.	£ s. d.	£ s. d.	£ s. d.		
BOMBALA.											
Police Station...	Erecting	1,500	Consoli- dated Revenue.	1877	Finished...	1,121 17 0		921 17 0			
Post and Telegraph Office	Purchase of site			1878	"		110 0 0		110 0 0		
"	Erecting	1,100		"	"	Unfinished		800 0 0	800 0 0		
NARRANDERA.											
Police Station...	"	1,200		1877	"	Unfinished		583 1 0	483 1 0		
Court-house	"	1,000		1878	"	"		740 0 0	740 0 0	102 19 10	
Lands Office	Furniture			"	"	Finished...				15 6 10	
KIAMA.											
Court-house	"			1878	"	"				11 14 0	
Post and Telegraph Office	Erecting	3,000		"	"	"	3,300 0 0		3,300 0 0		
COOTAMUNDRA.											
Police Station...	"	1,250		1877	"	"	1,350 0 11		950 0 11		
Lands Office	Furniture			1878	"	"				13 10 0	
Court-house	Erecting	2,000		"	"	Unfinished		400 0 0	400 0 0	48 8 5	
OON CARIA.											
Police Station	Repairs			"	"	Finished...	22 0 0		22 0 0		
BOOLIGAL.											
Police Station...	Repairs, &c.			"	"	"	120 15 0		120 15 0		
Nowra.											
Court-house	"			"	"	"	24 5 10		24 5 10	32 0 4	
GUNDAROO.											
Court-house	Additions		"	"	"	247 15 0		247 15 0			
MULWALLA.											
Police Station...	Repairs, &c.		"	"	"	29 11 0		29 11 0			
TEN-MILE CREEK.											
Police Station...	Erecting	1,200	"	"	Unfinished		250 0 0	250 0 0			
Court-house	Fencing		"	"	Finished...	59 0 0		59 0 0			
Lock-up	Alterations		"	"	"	9 0 0		9 0 0			
MUNDOOBAN.											
Police Station	Erecting	1,000	"	"	"	901 13 7		901 13 7			
MENINDIE.											
Police Station...	Repairs		"	"	"	5 0 0		5 0 0			
BATEMAN'S BAY.											
Court-house	Furniture		"	"	"				3 15 0		
FORSTER.											
Police Barracks	Erecting		"	"	"	355 0 0		355 0 0			
BLICK'S RIVER.											
Police Station...	"		"	"	"	467 0 0		467 0 0			
CAMDEN.											
Lock-up	"	2,300	"	"	Unfinished		1,450 0 0	1,450 0 0			
Court-house	Repairs, &c.		"	"	Finished...	257 2 0		257 2 0	10 16 7		
GLOUCESTER.											
Police Barracks	Erecting		"	"	"	288 0 0		288 0 0			
MOULAMEIN.											
Court-house	Furniture		"	"	"				7 6 0		
TARAGO.											
Police Station	Erecting	1,000	"	"	Unfinished		480 0 0	480 0 0			
MATHOURA.											
Police Station...	Repairs		"	"	Finished...	7 0 0		7 0 0			
Court-house	Furniture		"	"	"				34 1 9		

Location	Description	Value	Year	Status	Value	Value	Value
BETHUNGA.	Police Station...		1878	Finished...	341 10 6	341 10 6	
PICTON.	Police Station		"	"	997 0 0	997 0 0	
	Court-house	1,000	"	"	69 10 0	69 10 0	
LOUTH.	Court-house		"	"			55 3 9
EUABALONG.	Court-house		"	"			164 13 7
JERILDERIE.	Post and Telegraph Office		"	"	20 0 0	20 0 0	
TOCUMWALL.	Court-house		"	"			18 15 9
BULLI.	Lock-up	900	"	Unfinished	100 0 0	100 0 0	
MONTAGUE ISLAND.	Light-house		"	Finished...	56 14 0	56 14 0	
EUGOWRA.	Police Station...		"	"	9 15 0	9 15 0	
PUDMAN'S CREEK.	Lock-up		"	Unfinished	135 0 0	135 0 0	
HOWLONG.	Court House and Police Buildings	2,700	"	"	350 0 0	350 0 0	
ORANGE.	Gaol		"	Finished...	21 14 8	21 14 8	
	Court-house		"	"	18 0 0	18 0 0	1 15 0
	Police Station	650	"	Unfinished	300 0 0	300 0 0	
	"		"	Finished...	86 14 6	86 14 6	14 5 6
	Post and Telegraph Office	6,000	"	Unfinished	900 0 0	900 0 0	
	"		"	Finished...	25 10 0	25 10 0	14 4 9
MUDGEE.	Court-house		1877	"	1,034 10 0	804 10 0	27 11 8
	Gaol	1,100	1878	"	221 0 0	221 0 0	
	Quarters for Sub-Inspector of Police		1877	"	810 0 0	210 0 0	
GULGONG.	Court-house		1878	"			11 5 6
	Post and Telegraph Office	2,000	"	Unfinished	1,100 0 0	1,100 0 0	
DUBBO.	Quarters for Sub-Inspector of Police		"	Finished...	766 5 0	766 5 0	
	Police Station...	900	"	"			14 5 0
	Court-house		"	"	1,125 0 0	1,125 0 0	3 11 0
	Gaol	1,200	"	"	5 14 4	5 14 4	
	"		"	Unfinished	300 0 0	300 0 0	
	Lands Office	2,500	"	Finished...	5 0 0	5 0 0	40 5 6
	Post and Telegraph Office		"	"	690 0 0	690 0 0	
BOUBKE.	Court-house		"	"	390 16 0	390 16 0	373 15 10
	Gaol		"	"	59 19 11	59 19 11	
	Police Station...		"	"			14 5 6
WINDSOR.	Post and Telegraph Office		"	"	600 0 0	600 0 0	
	Court-house		"	"	32 18 0	32 18 0	9 0 0
	Gaol		"	"	5 15 0	5 15 0	
HARTLEY.	Court-house		"	"	1 1 6	1 1 6	8 3 3
MOLONG.	Police Station...	1,100	1877	"	1,350 0 0	575 0 0	
COONABABRAN.	Court and Watch-house	4,000	"	"	3,792 0 0	3,332 0 0	21 10 0

Consolidated Revenue.

No. 135 (continued)—RETURN of PUBLIC WORKS—continued.

Work, and where situated.	Whether constructing or under Repair.	Estimated Expenses.	Fund from which the Expenses is defrayed.	When Com-menced.	Whether Finished or Unfinished.	If Finished actual amount of Expenditure.	If Unfinished amount of Expenditure to 31 December, 1878.	Amount expended in 1878.	Amount expended for Furniture in 1878.	Remarks.
COLONIAL ARCHITECT—PUBLIC BUILDINGS, &c.—continued.						£ s. d.	£ s. d.	£ s. d.	£ s. d.	
MAUDE.										
Police Station...	Repairs			1878	Finished...	19 10 0		19 10 0		
PARKES.										
Court-house ...	Furniture			"	"				5 0 0	
COWRA.										
Court-house ...	"			"	"				5 0 0	
Police Station...	Repairs			"	"	39 8 6		39 8 6		
HILL END.										
Court-house ...	Purchase of building..			"	"	400 0 0		400 0 0	1 0 0	
Post and Telegraph Office	Repairs, &c.			"	"	116 8 1		116 8 1		
FORBES.										
Lands Office ...	Furniture			"	"				10 16 0	
Police Station...	Repairs			"	"	39 9 4		39 9 4	3 0 0	
WARREN.										
Court-house ...	"			"	"	4 0 0		4 0 0		
OBLEY.										
Court-house ...	Furniture			"	"				1 0 0	
ILFORD.										
Police Station...	Repairs, &c.		Consolidated Revenue.	"	"	41 12 0		41 12 0		
OBERON.										
Court-house ...	Repairs			"	"	3 7 6		3 7 6		
ROCKLEY.										
Court-house ...	Furniture			"	"				1 16 0	
BLAYNEY.										
Court-house ...	"			"	"				1 16 9	
WELLINGTON.										
Court-house ...	"			"	"				0 14 0	
Police Station...	Repairs			"	"	4 10 0		4 10 0		
Gaol ...	"			"	"	8 10 0		8 10 0		
GREENFELL.										
Post and Telegraph Office	Additions, &c.			"	"	274 10 0		274 10 0		
Lock-up ...	Erecting	1,200		1877	"	1,490 0 8		890 0 8		
Police Station...	"	1,100		1878	"	988 17 0		988 17 0	1 0 0	
Court-house ...	Repairs			"	"	17 4 10		17 4 10	112 19 4	
TRUNKY CREEK.										
Court-house ...	Furniture			"	"				0 14 0	

WILCANNIA. Lock-up	Repairs, &c.		1878 ... Finished...	7 0 0	7 0 0		
TARALGA. Court-house	Erecting	1,000	" ... "	900 0 0	900 0 0		
EMU PLAINS. Police Station... ..	Repairs		" ... "	18 0 0	18 0 0		
MOLONG. Post and Telegraph Office	Purchase of site		" ... "	150 0 0	150 0 0		
HARGRAVES. Court-house	Furniture		" ... "			16 13 7	
RYDAL. Post and Telegraph Office	"		" ... "			1 14 6	
RYDAL. Court-house	"		" ... "			16 0 0	
CARCOAR. Court-house	"		" ... "			38 13 6	
CARCOAR. Post and Telegraph Office	Erecting	1,500	1877 ... Unfinished	1,600 0 0	1,200 0 0		
PENRITH. Post and Telegraph Office	Purchase of site		1878 ... Finished...	240 0 0	240 0 0		
RYLSTONE. Court-house	Repairs		" ... "	46 0 0	46 0 0		
WARREN. Police Station... ..	"		" ... "	2 15 0	2 15 0		
ST. MARY'S, SOUTH CREEK. Police Station... ..	"		" ... "	8 17 0	8 17 0		
Public Buildings generally	Superintendence		" ... "	1,808 6 8	1,808 6 8	102 10 9	
" "	Repairs, &c.		" ... "	793 14 10	793 14 10		
" "	Ballot-boxes		" ... "			76 18 1	
" "	Advertising		" ... "	201 10 0	201 10 0		
" "	Paris Exhibition		" ... "	30 10 0	30 10 0		
Gaols and Court-houses generally	Superintendence		" ... "	1,929 4 10	1,929 4 10		
				189,617 4 2	229,994 8 11	263,446 1 7	13,401 8 3
WORKS, &C., NOT UNDER THE IMMEDIATE SUPERINTENDENCE OF THE GOVERNMENT.							
Sewerage Works, Sydney	Constructing... ..		1854 ... Unfinished	639,386 12 0	21,906 12 2		} Inclusive of salaries, interest, and other expenses.
Waterworks, Sydney	"		" ... "	1,059,019 6 5	63,085 14 0		
St. John's College, Camperdown	Constructing and under repair.	40,000	Feb., 1861	41,227 3 1	227 3 1		} In use.
St. Andrew's College... ..	Constructing... ..	20,000	Jan., 1874	26,307 4 3	2,166 9 7	381 13 4	

Consolidated Revenue.

Sewerage Act, 17 Vic. No. 34, Government Loan and Debentures, 17 Vic. No. 15.
Government Loan, Debentures, and Water Rate.
Government and Voluntary Contributions.

STATISTICS—1878.

METEOROLOGY—continued.

No. 137.—READINGS of EARTH THERMOMETERS at Sydney Observatory for the Year 1878.

In the Ground.	19 feet.				10 feet.				5 feet.				2 feet 6 inches.				1 inch.				Temperature in Thermometer Shed.						
	Mean.	Max.	Min.	Range.	Mean.	Max.	Min.	Range.	Mean.	Max.	Min.	Range.	Mean.	Max.	Min.	Range.	Mean.	Max.	Min.	Range.	Mean.	Max.	Min.	Range.	Mean.	Max.	Min.
January	63.8	64.5	63.2	1.3	66.2	67.1	65.1	2.0	68.6	69.7	67.7	2.0	71.0	72.9	68.6	4.3	72.2	76.6	67.0	9.6	72.5	78.7	66.3	12.4			
February	64.9	65.4	64.5	0.9	67.8	68.5	66.9	1.6	70.4	71.8	69.9	1.9	72.0	74.0	70.6	3.4	72.1	77.0	68.6	8.4	72.0	76.9	67.0	10.0			
March	65.6	66.2	65.2	1.0	68.0	69.0	67.9	1.1	70.6	71.2	70.1	1.1	72.4	74.6	71.3	3.3	72.2	78.0	68.0	10.0	72.0	77.5	66.2	11.4			
April	63.6	66.2	65.6	0.6	67.5	68.0	66.8	1.2	68.8	70.0	67.7	2.3	68.5	70.8	67.5	3.3	66.7	70.2	63.0	7.2	66.1	72.7	59.3	13.4			
May	65.3	65.6	65.0	0.6	65.4	66.7	64.4	2.3	65.6	67.6	63.9	3.7	64.1	66.9	61.7	5.2	59.6	63.2	57.0	6.2	57.7	65.2	50.2	14.9			
June	64.1	64.9	63.4	1.5	62.2	64.0	60.6	3.4	60.4	63.7	58.0	5.7	56.9	61.5	54.7	6.8	52.4	63.2	49.0	14.2	51.3	57.7	44.9	12.8			
July	62.8	63.5	62.1	1.4	59.5	60.7	58.4	2.3	57.3	58.0	57.0	1.0	55.3	56.5	54.5	2.0	52.5	56.7	49.7	7.0	52.7	59.8	45.6	14.2			
August	61.6	62.3	61.8	1.1	58.0	58.8	58.0	0.8	57.1	58.1	56.2	1.9	56.3	58.7	54.0	5.7	54.8	60.6	50.6	10.0	56.4	64.6	48.2	16.4			
September	60.8	61.5	60.7	0.8	58.9	59.7	58.3	1.4	58.3	59.9	58.2	1.7	58.9	61.4	57.8	3.6	55.3	64.8	54.0	10.8	60.2	67.6	52.9	14.7			
October	61.1	61.5	60.8	0.7	60.1	61.3	59.1	2.2	60.7	61.8	59.8	2.0	61.4	63.6	59.1	4.5	61.6	68.0	56.9	11.1	63.6	71.3	55.9	15.4			
November	61.7	62.5	61.8	1.3	61.9	63.0	60.7	2.3	63.4	64.9	61.6	3.3	65.6	67.4	63.0	4.4	66.6	70.0	61.8	8.2	68.6	76.7	60.3	16.4			
December	62.6	63.1	62.0	1.1	63.8	64.9	57.1	6.8	66.1	67.3	64.9	2.4	68.3	70.4	66.3	4.1	69.0	73.0	64.7	8.3	70.4	77.0	63.7	13.2			
For the year 1878	63.2	63.9	63.0	0.9	63.3	64.3	61.9	2.4	63.9	65.3	62.9	2.4	64.2	66.6	62.4	4.2	62.9	68.4	59.2	9.2	63.6	70.5	56.7	13.8			
1877	63.5	66.3	60.7	5.6	63.4	68.9	58.8	10.1	64.1	71.7	57.6	14.1	64.5	75.3	55.6	19.7	63.1	78.0	50.2	27.8	63.8	97.4	41.6	55.8			
1876	63.8	66.9	61.0	5.9	63.9	69.9	57.9	12.0	64.7	72.3	56.3	16.0	64.9	76.0	52.8	23.2	63.3	80.0	47.2	32.8	63.6	96.9	36.1	60.8			
1875	63.0	65.4	60.4	5.0	63.2	68.6	57.8	10.8	63.9	70.7	56.5	14.2	64.1	74.4	53.7	20.7	62.8	77.3	47.6	29.7	63.4	98.9	40.3	58.6			
1874	62.7	65.4	59.7	5.7	62.7	67.5	56.8	10.7	63.3	69.0	54.9	14.1	63.7	72.6	52.0	20.6	62.7	77.7	46.4	31.3	63.0	96.3	36.9	59.4			
1873	63.0	65.8	60.6	5.2	63.0	68.5	58.0	10.5	63.7	70.5	56.1	14.4	63.9	73.3	53.7	19.6	62.8	76.2	48.6	27.6	63.0	100.1	38.0	62.1			
1872	63.2	65.8	60.4	5.4	63.4	69.8	58.0	11.8	64.0	71.7	56.3	15.4	64.1	75.7	53.7	22.0	62.5	78.7	46.9	31.8	62.6	98.3	36.8	61.5			
1871	62.8	65.1	60.4	4.7	62.8	67.4	58.0	9.4	63.4	69.9	56.7	13.2	63.9	73.7	53.8	19.9	62.7	77.9	48.0	29.9	62.4	103.8	38.7	65.1			
1870	63.2	65.8	60.4	5.4	63.3	68.5	57.9	10.6	63.9	71.9	56.6	15.3	64.2	76.1	54.0	22.1	63.0	81.2	47.9	33.3	62.8	105.2	38.7	66.5			

No. 138.—MEAN Temperature of each Month in the Years 1856 to 1878, inclusive.

AT SYDNEY.

Year.	January.	February.	March.	April.	May.	June.	July.	August.	September.	October.	November.	December.	Means.
1856	69.0	69.6	68.6	64.7	56.1	49.2	46.9	52.6	55.8	62.2	62.9	65.7	60.3
1857	70.2	71.2	68.0	64.1	54.5	53.0	52.2	51.9	55.1	59.7	64.7	68.6	61.1
1858	73.0	69.6	67.6	62.4	57.1	52.2	48.9	50.7	57.0	60.8	66.3	68.6	61.2
1859	70.6	69.8	68.2	63.8	58.5	52.5	50.6	55.3	57.3	65.3	66.4	69.5	62.3
1860	70.6	68.7	70.6	64.8	57.4	53.4	51.8	54.7	57.5	61.3	63.8	67.2	61.8
1861	69.7	71.6	71.5	64.7	56.6	54.6	51.1	52.4	57.6	64.3	64.5	69.0	62.3
1862	70.6	71.7	70.4	62.4	57.7	54.4	52.5	52.3	59.9	62.0	68.1	69.9	62.7
1863	71.9	72.1	69.4	63.8	59.0	55.0	52.6	53.9	57.0	62.3	66.4	67.8	62.6
1864	72.1	69.3	67.7	64.6	58.2	54.1	53.3	54.9	59.2	60.4	64.9	67.0	62.6
1865	69.5	71.1	69.2	66.4	56.5	52.9	51.0	55.0	61.1	64.1	67.7	70.5	62.9
1866	71.4	71.2	68.2	66.8	60.5	56.8	52.9	54.8	59.5	62.8	66.6	68.1	63.3
1867	71.1	70.8	68.5	66.4	61.0	56.2	54.3	54.7	59.3	68.5	69.4	70.9	64.3
1868	70.7	69.5	69.5	64.4	58.6	55.8	53.0	54.0	59.7	66.5	65.5	72.0	63.3
1869	72.9	70.1	71.6	65.1	58.3	55.2	52.3	55.4	56.7	62.0	66.3	70.1	63.0
1870	71.5	72.0	68.1	66.0	58.5	54.0	52.4	53.5	57.9	64.3	67.0	68.5	62.8
1871	69.5	70.7	65.7	63.9	59.5	53.8	53.1	55.7	58.8	60.6	65.7	71.6	62.4
1872	73.2	71.9	68.0	62.1	56.5	55.5	53.1	52.0	58.0	63.1	67.3	70.3	62.6
1873	69.7	70.5	67.9	63.6	60.2	57.8	51.4	56.5	60.1	63.9	62.9	71.3	63.0
1874	71.6	70.2	69.7	66.2	58.9	53.2	51.2	53.5	57.7	65.8	67.5	70.9	63.0
1875	72.7	69.7	69.6	65.0	57.0	55.6	52.5	57.3	57.4	64.5	68.1	70.7	63.3
1876	72.6	71.0	71.9	65.8	60.1	54.1	52.8	54.8	59.2	63.1	67.3	70.0	63.6
1877	72.0	72.3	69.9	64.7	59.4	54.9	54.9	56.3	58.4	62.4	68.2	71.6	63.8
1878	72.5	72.0	72.0	66.1	57.7	51.3	52.7	56.4	60.2	63.6	68.6	70.4	63.6
Means	71.2	70.6	69.1	64.7	58.2	54.2	52.1	54.4	58.3	63.2	66.4	69.6	62.7

METEOROLOGY—continued.

No. 139.—ABSTRACT of METEOROLOGICAL OBSERVATIONS, taken at various Stations in the Year 1878.

Stations.	Least distance from East Coast in Miles.	Height above sea in feet.	Mean of Observations taken at 9 A.M.								For 24 hours previous to 9 a.m.					Clouds 0 to 100	Remarks.	
			Barometer.	Temperature in Shade.	Humidity, 0 to 100.	Wind.		Temperature in Shade.		Rain.			Evaporation.					
						Direction.	Force, 0 to 6.	Means.	Extremes.	Total Fall, inches.	No. of Days.	Greatest Fall, inches.		Date.				
							Max.	Min.	Max.	Min.								
Casino	28	50	67.7	W.	1.2	79.1	56.2	108.5	28.0	2.8	No rain gauge.	
Trigamon	160	65.0	W.	1.4	78.1	51.8	109.0	21.0	24.520	71	1.930	5 September	2.7	Began temporary observations in May.
Tenterfield	80	56.0	W.	1.0	68.6	44.8	100.1	16.0	29.080	59	2.000	2 September	2.2	No Max. during January and February.
Caidmurree	270	18.200	44
Clarence Heads	0	120	30.039	68.1	78.3	S.W.	1.8	74.6	63.2	88.8	43.0	44.920	76	2.470	6 December	5.3
Warialda	162	64.5	N.E.	0.7	79.3	49.7	108.0	24.2	12.255	49	1.080	2 November ..	49.562	3.6	Observations began July. Evaporation from August.
Grafton	22	40	69.6	N.W.	0.3	84.7	55.2	118.0	32.0	38.700	80	2.700	15 December ..	60.295	4.0	Evaporation only from January to July, inclusive.
Inverell	122	29.994	62.0	70.3	W.	0.8	73.4	50.6	105.0	20.4	22.230	79	1.750	6 September	3.4	No return for February.
Bingera	153	N.W.	1.6	12.410	28	1.280	10 October ..	36.577	2.4	New Station. Four last months only.
Brewarrina	356	15.430	32	5.100	10 September
Gingie (Walgett)	296	70.6	84.5	57.0	119.0	27.7	18.315	45	1.280	10 September
Lake Boulka	650	5.610	18	1.230	6 October
Walgett	286	72.6	N.E.	0.9	86.3	58.7	109.4	36.7	10.590	24	2.170	1 November	3.1	Observations began in August.
Bourke	393	30.109	72.6	63.0	E.	1.8	70.6	58.6	121.5	32.0	13.850	35	2.510	10 September	2.7
Reedy Creek (Inverell)	139	27.050
Aberfeldie, Wee Waa	220	23.070	23	4.000	7 February
Gilgoin, Mara Creek	318	67.9	79.8	55.9	116.0	27.0	14.003	42	3.000	10 September
Narrabri	196	69.1	N.W.	1.5	83.9	56.0	117.0	26.5	36.640	65	3.500	15 February ..	93.976	3.2	No observations after 12 November. Observer absent.
Eversleigh (Armidale)	80	3,465	29.944	57.7	66.3	N.W.	1.7	69.1	46.1	100.0	20.2	33.752	124	2.970	23 February	3.9
Armidale	80	3,278	56.5	79.0	W.	1.2	70.3	42.7	96.0	22.9	35.180	93	3.150	23 February ..	71.956	3.9
Melville Plains (L. Plains)	170	27.080	57	2.790	7 January
Gunnedah	156	925	30.034	67.2	60.5	E.	0.7	83.9	50.5	110.7	21.0	26.280	74	2.140	12 July	3.9	No observations in January.
Goolhi	167	65.9	N.	0.7	81.1	50.6	104.5	26.0	24.610	72	1.700	12 July	3.0	Began temporary observations in July.
Tamworth	116	1,271	31.960	47	2.750	30 April
Goonoo Goonoo	110	1,550	28.420	45	2.310	23 December
Port Macquarie	1	53	30.006	65.3	79.4	N.E.	1.7	74.9	57.4	90.5	34.8	62.500	131	3.540	17 February ..	68.359	3.9
Netley (River Darling)	500	14.370	23	3.900	25 March
Yancannia	465	11.310	21	2.220	31 October
Nelyambo (River Darling)	440	12.730	28	2.070	27 March
Wombobbie	220	66.6	78.0	55.3	104.5	32.8	14.880	33	2.000	10 September
Black Creek (L. Plains)	108	35.380	78	3.660	6 February
Murrurundi	94	1,545	60.6	N.W.	1.2	71.3	49.9	107.3	27.1	32.520	65	2.210	27 March	3.6
Gundare, Coolah	141	11.375	35	1.930	7 February
Wingen	85	65.4	78.4	52.5	110.0	28.0	30.400	79	2.630	27 March
Cassilis	120	63.7	N.W.	0.5	77.0	50.2	111.7	22.4	25.680	77	1.770	6 September ..	43.504	1.3	No evaporation taken in November.
Cassilis Home	120	26.060	73	1.920	7 February
Scone	78	25.300	37
Panjee	280	65.6	78.3	52.0	115.0	23.0	22.635	50	2.610	31 October
Weinteriga (River Darling)	500	10.980	42	1.250	25 February
Muswellbrook	68	475	66.3	S.E.	0.8	80.3	51.4	115.5	24.0	18.990	73	1.770	10 February	2.7
Dubbo	182	65.5	W.	0.4	76.4	55.4	104.5	33.5	23.550	47	1.770	27 March	2.4
Negoa	62	24.910	59
Teryawynia (Booligal)	455	9.330	31	1.040	27 September
Bylong	100	23.370*
Martindale	73	22.990	42
Mudgee	121	1,500	63.0	W.	0.7	80.1	49.3	112.0	26.0	37.830	86	5.090	7 February ..	80.269	4.1

*About 5 in. rough measurement not included in the 23.370

Melrose	290	S.W.	2'6	22'680	54	2'450	1 November
West Maitland	18	98	66'0	W.	0'9	74'9	57'0	105'0	31'0	42'430	95	4'970	16 December..	91'208	4'5
Newcastle	1	112	29'997	66'6	W.N.W.	0'2	76'7	56'6	107'5	39'0	39'470	107	2'560	16 February	4'3
North Abbotsford	385	12'260	40	1'700	31 July
Mossgiel, Lachlan	378	12'740
Kilfera, Ivanhoe	410	12'240	45	1'560	15 March
Orange	124	2,891	55'7	S.W.	1'1	67'2	44'2	99'5	24'8	50'490	110	3'800	27 March	44'636	3'9
Clare Station	385	S.	15'920	41	2'290	26 March	1'3
Roto Station, W. Hillston	295	18'000
Burrawang, Forbes	200	23'250	37	1'980	10 September
Bathurst	96	2,200	30'010	58'1	S.W.	0'8	71'6	44'6	112'5	22'0	26'760	80	2'130	16 December..	29'838	4'1
Gosford	7	25'840	58	3'000	6 September
Forbes	176	1,120	30'043	65'0	S.W.	0'2	75'2	54'8	106'0	26'0	24'620	67	2'280	1 November	2'9
Till Till (Balranald)	396	65'6	79'1	51'9	121'8	27'9	15'975	52	2'580	10 February ..	74'560
Kurrajong	35	1,870	51'460	67	5'000	14 December..
Mount Victoria	61	3,490	29'976	54'9	W.	65'9	44'1	106'0	24'9	39'410	64	7'000	16 December..	73'402	4'6
Windsor	...	53	36'317	120
South Thononga	330	18'120	44
Blacktown	22	64'4	N.W.	2'0	76'2	52'6	105'0	33'0	13'090	44	2'210	6 September
Watson's Bay	0	15'570	36	3'610	6 September
Sydney	5	155	29'831	63'6	W.	0'8	70'5	56'7	102'7	38'7	49'770	129	7'526	6 February ..	54'088	5'5
Liverpool	15	...	30'021	58'1	68'6	47'6	106'0	22'0	30'433	103	3'430	6 February	4'1
Camden Park	21	38'180	69	4'250	6 February
Wentworth	476	...	30'141	64'3	S.W.	1'7	78'7	49'8	115'1	29'5	9'400	47	1'720	16 March	3'6
Thelangerin East	346	13'380	46	1'170	7 March
Young	140	59'8	W.	0'4	70'7	48'8	110'0	24'9	40'780	92	4'100	27 March	73'320	2'7
Cordeaux River	6	N.W. & W.	68'7	...	103'0	...	56'970	88	4'970	7 February
Wollongong	0	63'3	N.W.	70'9	55'7	102'2	39'9	31'450	26	5'400	2 August
Groongal	278	23'900	48	3'210	4 February
Hay	309	69'7	S.E.	89'0	57'3	117'3	40'9	9'755	24	1'860	10 February
Buston	422	65'0	S.W.	0'8	79'8	50'0	119'0	25'9	13'600	51	1'900	15 March	3'5
Moss Vale	31	2,240	26'040	57	3'800	9 February
Burrabogie, Hay	290	19'890	38	3'320	4 February
Barrellan	213	23'640	62	2'040	5 September..
Goulburn	54	2,129	30'013	57'3	W.	1'2	70'7	44'6	109'0	21'6	28'230	67	2'220	1 November ..	50'789	3'9
Yass	92	1,657	11'725	27	1'630	1 November
Winderradeen (L. George)	64	53'6	W.	63'6	43'7	103'8	22'3	21'875	82	1'570	27 March	4'1
Gundaroo	70	1,893	29'980	N.W.	1'6	30'210	81	1'800	21 December..	5'0
Wagga Wagga	161	739	29'844	63'5	N.E.	0'1	75'1	50'3	111'0	20'0	20'885	64	1'420	6 February	1'4
Cape St. George	0	175	29'998	62'6	W.	2'4	69'7	55'5	103'2	39'6	46'950	85	5'300	6 February	5'5
Milton	1	61'6	N.E.	1'2	71'9	51'2	105'0	30'0	41'640	85	6'120	6 February	4'4
Lake Canjola	4	41	53'4
Murray Downs	367	16'190
Queanbeyan	60	58'9	W.	0'8	71'9	45'8	109'4	24'6	30'240	71	2'250	1 November	4'9
Urana	218	400	9'005	22	1'520	16 February
Braidwood	26	28'250	52
Deniliquin	287	320	30'147	62'1	S.W.	1'0	76'7	47'4	121'1	21'3	28'100	60	6'040	16 March	3'8
Moruya	0	50	29'844	62'1	N.E.	1'2	71'1	53'1	100'6	33'8	39'770	64	4'920	7 February ..	79'908	6'8
Bodalla	7	40	60'0	N.E.	1'0	74'6	45'4	100'9	23'7	44'290	68	7'600	8 February ..	84'577	4'2
Moama	290	...	29'846	62'8	S.W.	1'2	76'3	49'4	117'0	27'0	19'740	79	3'060	5 February
Albury	175	572	30'043	60'4	W.	0'8	75'6	45'4	117'3	24'3	32'830	92	1'650	2 November ..	65'412	4'5
Cooma	52	2,637	30'036	54'7	N.W.	2'2	70'3	39'0	107'1	22'8	20'770	79	2'250	1 November ..	19'051	5'8
Eden	0	107	29'971	60'5	S.W.	1'4	68'1	52'9	90'0	36'1	27'010	79	5'250	2 November	5'1
Maryland	92	31'080	95	1'930	10 May
Caigan	167	23'560	50	1'910	15 December..
Ulonga Station	11'330	22	1'670	18 March
Collindina	26'340	45	3'310	15 March
Cooerwull	70	30'920	41	2'270	2 November
Ashbrook	86	31'580	42	2'900	29 March

Evaporation for last five months only.
 { Amount rainfall only for Jan., Feb., March, July, Aug.,
 { Sept. Observer absent during remaining months.

Evaporation for January not taken.

Began July. October and November not in.

Station given up at end of November.

No rain recorded in January, March, April, and May.

Observations January to May, inclusive. Given up.
 No evaporation after April.
 Observations only for first three, and last three months.

Observations only from 10 September.
 Given up at end of September.

No observation Nov. and Dec. Min. tem. Jan. to July only

Observations imperfect. Rainfall only Feb. to end of May.

Aneroid barometer.

METEOROLOGY—continued.

No. 140.—COMPARATIVE TABLE of TEMPERATURE, RAINFALL, and EVAPORATION

Stations.	Temperature.								Rainfall.								Number of				
	1871	1872	1873	1874	1875	1876	1877	1878	1871	1872	1873	1874	1875	1876	1877	1878	1871	1872	1873	1874	
	Inches.								Inches.												
Casino	67.7	
Trigamon	65.0	
Tenterfield	55.4	56.8	54.6	58.0	59.0	60.2	56.0	32.595	37.140	35.573	25.910	22.780	38.060	15.760	28.060	120	101	72	68	
Clarence Heads	68.1	
Grafton	65.2	63.1	68.2	67.4	70.0	69.5	69.6	..	35.258	42.911	31.002	36.500	35.700	21.590	38.700	..	92	76	76	
Inverell	62.0	
Gongie	70.8	
Winbar	
Bourke	61.9	65.3	64.0	62.4	63.8	68.5	72.6	..	24.000	11.900	23.470	2.850	11.620	4.170	13.850	..	52	39	44	
Gilgoin	67.9	
Narrabri	69.0	68.2	67.8	67.1	68.1	68.2	71.6	69.1	23.705	24.680	32.340	26.020	25.145	14.330	36.640	68	63	65	66		
Armidale	56.2	55.9	57.9	59.7	58.0	58.4	60.6	56.5	16.740	33.620	28.710	16.606	37.540	45.732	24.150	35.180	44	77	98	76	
Everleigh (Armidale)	55.2	57.7	
Momba	4.060	13.970	12.620	5.960	
Gunnedah	64.2	67.2	9.750	26.280	
Tamworth	61.2	22.435	15.170	
Goonoo Goonoo	61.5	21.570	28.420	
Fort Macquarie	63.9	64.0	64.4	64.4	64.5	64.9	65.0	65.3	57.616	47.243	96.903	45.075	69.735	63.490	43.360	62.500	120	139	149	139	
Black Creek (Liverpool Plains)	
Murrurundi	61.6	62.0	60.6	..	62.3	75.4	..	60.6	28.796	23.670	44.100	14.850	0.250	32.520	63	62	44	..	
Gundare, Coolah	
Wingen	65.4	15.690	30.400	
Cassilis	61.4	61.4	60.6	65.6	61.4	63.2	63.7	23.650	23.250	28.090	28.240	25.040	21.350	11.090	25.680	80	56	60	76	
Scone	62.9	59.1	61.6	22.780	20.655	
Weinteriga (Darling River)	
Muswellbrook	64.4	61.4	..	63.0	65.4	65.3	66.2	66.3	14.818	26.503	12.650	18.310	19.990	31	46	..	
Dubbo	59.6	61.1	58.7	63.2	64.3	64.3	65.5	65.3	15.550	24.750	17.840	10.050	20.700	19.570	11.590	23.550	57	75	41	28	
Mudgee	56.6	60.0	59.7	61.8	..	62.2	66.0	63.0	21.100	32.820	23.638	34.490	16.760	11.375	
Dalwood	33.060	25.650	41.750	
West Maitland	65.3	62.8	63.0	60.2	61.8	64.1	66.3	66.0	31.875	23.208	41.690	37.615	37.805	30.010	22.970	45.430	108	104	107	88	
Lambton	60.7	59.7	59.3	60.4	62.0	38.590	64.850	64.640	
Newcastle	63.7	63.6	63.7	63.3	63.8	64.5	64.7	66.6	62.630	37.840	57.600	62.930	49.600	40.130	34.350	39.470	116	128	139	126
Orange	53.2	54.5	54.9	56.4	52.6	55.2	57.9	55.7	34.460	46.210	36.310	60.050	38.210	31.160	21.630	50.490	120	121	115	128	
Bathurst	58.5	57.3	55.7	57.3	59.3	57.7	57.6	59.1	22.900	30.630	26.500	26.530	22.050	17.720	20.760	72	78	73	84		
Forbes	
Kurrabung	55.3	54.8	54.1	54.4	54.0	54.7	55.2	..	65.970	42.970	46.000	40.365	36.850	43.110	46.770	51.460	126	125	128	122	
Mount Wilson	
Mount Victoria	54.2	54.1	55.1	54.2	55.5	56.6	55.0	..	30.310	50.790	23.130	23.420	..	34.730	29.630	39.410	..	126	119	94
Woodford	58.3	57.7	40.920	64.900	55.470	140	151	160
Parramatta	61.4	28.570	39.280	23.790	104	..	46
Windsor	64.0	63.6	64.0	64.5	34.468	24.254	41.380	32.078	33.378	26.994	..	36.317	152	155	
Teryawynia (viz Boologal)	8.230	9.390	
Sydney	62.4	62.6	63.0	63.0	63.3	63.6	63.8	63.6	52.147	37.122	73.404	63.600	46.251	45.690	56.660	49.770	141	161	176	173	
Liverpool	60.8	60.2	60.1	59.0	59.7	59.5	58.1	41.852	27.013	50.991	41.927	35.705	26.384	39.830	36.353	135	158	153	151	
Wentworth	64.4	64.7	63.1	..	64.6	63.6	64.3	16.212	15.770	12.530	10.982	12.780	8.850	8.660	9.400	66	77	80	72	
Wilton	31.540	48.240	33.640	34.750	31.440	70	93	85
Young	56.5	58.9	60.0	58.9	56.3	59.7	59.8	..	37.530	27.490	27.610	26.410	18.470	20.960	40.780	..	70	81	80	
Cordeaux River	43.150	83.910	60.280	60.860	50.520	54.080	56.970	..	109	134	127	
Wollongong	62.4	61.8	62.3	62.3	61.6	62.0	63.5	63.3	48.340	28.510	49.330	29.450	29.716	45.390	31.450	
Moss Vale	55.2	54.8	55.4	55.9	56.2	57.0	45.610	59.130	46.980	44.930	38.470	48.660	28.040	..	109	93	97	
Till Tilt (Balranald)	
Euston	63.1	65.0	
Clare (Balranald)	
Goulburn	56.9	55.4	57.3	56.8	56.5	58.7	58.2	57.3	32.450	29.286	31.370	26.850	25.570	23.340	
Yass	
Terara	36.580	72.320	
Winderadeen	57.0	53.6	
Wagga Wagga	59.6	60.0	59.8	56.2	61.0	63.5	30.240	20.830	28.350	21.544	15.959	20.885	
Cape St. George	61.9	61.5	62.1	61.7	61.4	62.1	62.6	61.932	..	37.134	64.130	38.260	46.690	
Milton	
Queanbeyan	52.2	50.0	52.0	56.0	57.5	59.1	59.5	58.9	27.820	29.020	26.040	19.700	17.140	19.940	14.670	30.240	100	80	65	61	
Urana	64.5	60.4	63.6	63.0	62.3	63.9	65.3	21.080	28.780	18.300	17.560	24.570	11.240	9.850	9.065	28	50	58	65
Deniliquin	61.7	59.4	60.2	61.4	61.8	60.9	62.7	62.1	..	20.770	17.390	22.540	18.270	24.140	13.660	12.630	28.100
Kiandra	46.0	43.9	45.0	74.100	55.900
Moruya	64.3	61.1	62.1
Bodalla	57.4	61.0	59.7	60.0
Albury	60.4	59.5	57.3	58.2	59.8	61.1	60.4	30.859	28.450	27.110	27.780	34.300	20.510	20.850	32.890	98	72	95	81	
Cooma	52.4	61.9	54.6	53.8	52.9	54.4	56.0	54.7	24.290	16.810	22.470	14.230	9.900	20.760
Nylambo	60.7	60.6	60.8	59.8	59.6	59.9	60.4	60.5	53.740	24.630	63.780	45.490	43.610	34.920
Murray Downs																	

REAL AND LEASEHOLD ESTATES.

No. 141.—DECENNIAL RETURN of the Number and Amount of Transactions in REAL AND LEASEHOLD ESTATES, registered in the Colony.

Nature of Transaction.	1869.		1870.		1871.		1872.		1873.		1874.		1875.		1876.		1877.		1878.	
	No. of Deeds registered.	Amount.	No. of Deeds registered.	Amount.	No. of Deeds registered.	Amount.	No. of Deeds registered.	Amount.	No. of Deeds registered.	Amount.	No. of Deeds registered.	Amount.	No. of Deeds registered.	Amount.	No. of Deeds registered.	Amount.	No. of Deeds registered.	Amount.	No. of Deeds registered.	Amount.
Conveyances under Mortgage.	171	£ 83,512 16 4	215	£ 85,960 14 2	243	£ 148,340 8 9	223	£ 110,697 6 4	235	£ 132,874 17 4	176	£ 53,799 1 8	169	£ 105,522 17 7	110	£ 63,393 14 10	334	£ 238,094 18 11	243	£ 153,784 2 8
Conveyances (absolute) ..	2,512	£ 619,446 12 2	2,263	£ 573,388 2 7	2,261	£ 482,539 19 0	2,397	£ 665,430 2 9	2,651	£ 801,360 5 1	3,482	£ 1,245,506 13 8	4,472	£ 1,464,136 14 6	4,553	£ 1,663,934 13 4	5,005	£ 2,223,895 1 0	4,704	£ 2,490,681 6 5
Assignments (absolute), Leasehold Estates ..	109	£ 59,927 19 6	101	£ 24,907 12 6	96	£ 25,651 11 9	125	£ 52,174 13 1	152	£ 52,216 15 7	160	£ 62,688 13 8	168	£ 110,853 5 8	220	£ 96,562 10 4	203	£ 110,793 15 2	266	£ 102,612 3 1
Mortgages ..	1,368	£ 861,679 11 0	1,323	£ 669,942 5 9	1,478	£ 697,440 12 1	1,331	£ 611,857 5 10	1,241	£ 711,315 10 3	1,388	£ 826,703 11 0	1,581	£ 1,039,116 0 11	2,126	£ 1,402,343 1 9	1,758	£ 1,308,774 11 3	2,440	£ 1,981,481 2 4
Discharges of Mortgages ..	698	£ 354,313 11 1	647	£ 373,597 2 6	646	£ 318,168 7 6	634	£ 392,697 15 9	920	£ 541,654 6 5	985	£ 551,777 0 0	1,114	£ 623,658 17 0	1,101	£ 600,834 16 11	1,902	£ 1,123,138 15 0	1,350	£ 896,445 8 9
Transfers of Mortgages ..	88	£ 97,040 6 5	76	£ 44,681 17 2	79	£ 42,802 16 0	75	£ 73,434 17 3	78	£ 96,994 5 11	51	£ 26,497 9 2	63	£ 42,103 3 10	69	£ 58,695 14 2	71	£ 49,523 9 9	58	£ 92,612 19 9
TOTALS ..	4,946	£ 2,075,925 16 6	4,625	£ 1,772,477 14 8	4,808	£ 1,714,943 5 1	4,785	£ 1,911,292 1 0	5,277	£ 2,336,416 0 7	6,242	£ 2,766,972 9 2	7,567	£ 3,390,390 19 6	8,179	£ 3,886,269 11 4	9,273	£ 5,059,230 11 1	9,066	£ 6,722,617 3 0
Lease—Period exceeding three years ..	297	*£ 18,842 0 0	250	*£ 13,829 9 4	268	*£ 38,658 12 1	178	*£ 10,314 12 1	216	*£ 15,705 9 8	207	*£ 15,447 10 0	245	*£ 19,715 18 2	278	*£ 20,932 14 10	385	*£ 48,425 12 5	339	*£ 30,643 1 0
Annuity Deeds†	
Assignment for Creditors ..	10	..	19	..	24	..	10	..	19	..	14	..	11	..	13	..	11	..	43	..
Settlements ante and post nuptial†	
Miscellaneous Deeds, i.e.— Partition deeds, appointments of trustees, disentailing deeds, disclaimers of trusts, deeds of gift, confirmations, powers of attorney, wills, releases of dower, &c., &c. ..	373	..	388	..	490	..	455	..	677	..	711	..	1,214	..	1,033	..	887	..	1,619	..
TOTAL NUMBER OF DEEDS REGISTERED † ..	5,626	..	5,282	..	5,590	..	5,428	..	6,189	..	7,174	..	9,037	..	9,503	..	10,556	..	11,067	..

* Yearly.

† Included in Miscellaneous.

‡ Exclusive of Government Deeds, for which no fees are charged for registration.

NOTE.—Lease for periods of three years and under are not registered.

STATISTICS—1878.

297

MORTGAGES ON LAND.

No. 142.—DECENNIAL RETURN of the Number and Amount of MORTGAGES ON LAND registered in the Colony.

Year.	Lent on Town Lands.		Lent on Suburban Lands.		Lent on Town and Country Lands.		Lent on Country Lands.		Total.	
	No. of Mortgages.	Amount.	No. of Mortgages.	Amount.	No. of Mortgages.	Amount.	No. of Mortgages.	Amount.	No. of Mortgages.	Amount.
1869	556	£ 338,884 9 10	320	£ 96,155 15 9	36	£ 77,120 6 5	456	£ 349,518 19 0	1,368	£ 861,679 11 0
1870	520	269,475 12 9	291	103,820 15 1	24	24,052 19 4	488	272,592 18 7	1,323	669,942 5 9
1871	632	242,244 1 6	464	139,496 0 8	43	55,765 0 0	339	259,935 9 11	1,478	697,440 12 1
1872	547	280,580 9 10	415	82,469 2 9	27	20,044 2 0	342	228,763 11 3	1,331	611,857 5 10
1873	580	280,588 13 7	296	132,554 11 2	14	28,600 0 0	351	269,572 5 6	1,241	711,315 10 3
1874	666	384,255 12 6	366	143,329 11 4	12	12,380 19 0	344	286,737 8 2	1,388	826,703 11 0
1875	615	375,846 7 5	422	243,544 4 7	11	38,700 0 0	533	381,025 8 11	1,581	1,039,116 0 11
1876	971	639,814 14 2	660	310,663 7 11	7	10,699 0 0	488	441,670 19 8	2,126	1,402,848 1 9
1877	518	533,589 11 9	660	304,714 8 2	8	8,418 16 0	572	462,051 15 4	1,758	1,308,774 11 3
1878	1,071	856,315 16 9	777	381,148 15 8	13	8,125 13 0	579	735,890 16 11	2,440	1,981,481 2 4

DISCHARGES OF MORTGAGES ON LAND AND CONVEYANCES UNDER MORTGAGE.

No. 143.—DECENNIAL RETURN of the Number and Amount of DISCHARGES OF MORTGAGES ON LAND AND CONVEYANCES UNDER MORTGAGE.

Year.	Discharges of Mortgages on Land.		Conveyances under Mortgage.	
	Number.	Amount.	Number.	Amount.
1869	698	£ 354,318 11 1	171	£ 83,512 16 4
1870	647	373,597 2 6	215	85,960 14 2
1871	646	318,168 7 6	248	148,340 8 9
1872	634	392,697 15 9	223	110,697 6 4
1873	920	541,654 6 5	235	132,874 17 4
1874	985	551,777 0 0	176	53,799 1 8
1875	1,114	628,658 17 0	169	105,522 17 7
1876	1,101	600,834 16 11	110	63,393 14 10
1877	1,902	1,123,138 15 0	334	238,094 18 11
1878	1,350	896,445 8 9	248	158,784 2 8

PREFERABLE LIENS ON WOOL, MORTGAGES ON LIVE STOCK.

No. 144.—DECENNIAL RETURN of the Number and Amount of PREFERABLE LIENS ON WOOL, and of MORTGAGES ON LIVE STOCK, registered in the Colony.

Year.	Preferable Liens on Wool.			Mortgages on Live Stock.				
	No. of Liens.	No. of Sheep.	Amount of Liens.	No. of Mortgages.	No. of Sheep.	No. of Horned Cattle.	No. of Horses.	Amount Lent.
1869	285	4,119,370	£ 531,777 9 8	329	2,057,631	184,923	10,150	£ 1,195,403 2 4
1870	317	3,411,469	371,231 13 7	294	1,281,340	147,119	3,884	840,584 3 10
1871	328	4,113,108	451,926 13 5	314	1,509,672	126,750	5,239	703,333 5 0
1872	360	2,716,378	377,032 1 0	303	1,467,020	114,801	3,420	1,076,432 12 2
1873	377	3,195,817	472,861 4 2	371	2,383,310	128,860	3,808	1,723,336 19 8
1874	444	2,959,892	423,164 1 4	508	2,277,567	152,241	6,019	1,902,313 0 7
1875	686	4,197,853	674,746 18 2	749	2,844,740	199,931	7,290	2,008,969 18 11
1876	920	4,828,951	752,818 18 9	758	2,480,004	258,447	5,847	2,157,834 18 8
1877	994	4,386,378	627,779 9 7	1,994	2,565,962	185,796	6,726	2,004,363 2 10
1878	1,027	4,611,696	714,272 16 1	914	2,647,183	183,210	8,412	2,059,348 9 9

N.B.—When any sum has been secured both by a Lien on the Wool and by a Mortgage of the Sheep, the amount is included under the head of Mortgages only.

DISCHARGES OF MORTGAGES ON LIVE STOCK.

No. 145.—DECENNIAL RETURN of the Number and Amount of DISCHARGES OF MORTGAGES ON LIVE STOCK, registered in the Colony.

Year.	Number.	Amount.
1869	85	£ 741,238 7 7
1870	95	435,762 6 9
1871	70	333,536 8 2
1872	184	1,245,318 10 3
1873	173	1,015,863 2 9
1874	148	818,949 17 7
1875	182	992,780 6 7
1876	190	1,028,079 4 2
1877	225	1,292,703 3 6
1878	159	1,037,119 1 11

LIENS ON GROWING CROPS.

No. 146.—DECENNIAL RETURN of the Number and Amount of LIENS ON GROWING CROPS in the Colony, registered in Sydney.

Year.	Number.	Amount.
		£ s. d.
1869	151	13,672 11 1
1870	213	10,045 3 3
1871	266	13,170 7 8½
1872	281	11,795 13 5
1873	346	12,475 0 3
1874	329	13,336 9 10½
1875	302	14,181 4 9
1876	319	16,418 14 2
1877	477	27,086 8 6½
1878	539	43,186 6 7

TRANSACTIONS UNDER "REAL PROPERTY ACT."

NUMBER OF APPLICATIONS, &c.

No. 147.—DECENNIAL RETURN of the Number of APPLICATIONS, with the Amount of FEES, &c., under the Real Property Act.

Year.	No. of Appli-cations.	No. of Prop-erties.	Area.			Value.	Fees.			
			Town and Suburban.	Country.	Total.		Assurance.	Commissioners.	Certificates and other Dealings.	Total.
1869	300	495	371 1 25	30,488 2 36½	30,860 0 22½	177,569	370 3 10	318 0 0	2,043 5 4	2,731 9 2
1870	280	406	338 2 20½	51,568 3 17	51,907 1 37½	203,476	423 12 3	311 5 0	2,190 0 8	2,924 17 11
1871	269	376	184 2 17½	14,335 1 12½	14,519 3 30½	197,338	412 13 9	349 0 0	2,577 16 4	3,339 10 1
1872	229	321	1,596 2 19	33,862 2 4	35,459 0 23	157,376	328 2 3	267 10 0	2,865 2 8	3,460 14 11
1873	251	427	1,085 3 18½	30,122 2 0	31,207 1 18½	335,289	703 16 1	401 5 0	3,235 16 8	4,340 17 9
1874	288	421	622 3 32	25,746 0 23	26,369 0 15	362,403	753 8 2	475 10 0	3,457 7 0	4,686 5 2
1875	256	353	358 2 38½	21,039 2 9	21,398 1 7	229,258	480 15 10	410 10 0	5,138 0 8	6,029 6 6
1876	241	339	1,148 1 38½	5,366 0 4	6,514 2 2½	220,166	458 7 2	297 0 0	5,674 4 8	6,429 11 10
1877	240	342	897 1 14	5,994 2 23	6,891 3 37	210,431	440 7 4	332 15 0	6,603 3 0	7,376 5 4
1878	203	377	684 1 18	6,840 0 14½	7,524 1 32½	153,195	322 15 9	514 10 0	7,347 16 0	8,185 1 9

1869 exclusive of 8 applications withdrawn.
 1870 " 7 "
 1871 " 12 "
 1872 " 6 "
 1873 " 7 "
 1874 " 9 "
 1875 " 8 "
 1876 " 3 "
 1877 " 9 "
 1878 " 9 "

DEALINGS.

No. 148.—RETURN showing the number of DEALINGS registered under the Real Property Act during the Years 1876, 1877, and 1878.

Instrument.	1876.		1877.		1878.	
	Number.	Amount of consideration.	Number.	Amount of consideration.	Number	Amount of consideration.
Transfers	2,866	£ 779,734	3,394	£ 1,046,340	3,607	1,143,854
Mortgages	1,204	1,100,576	1,423	1,976,142	1,451	2,908,784
Discharges	470	370,919	605	529,330	670	302,858
Encumbrances	11	20,941	6	11,764	19	2,830
Total	4,551	2,272,170	5,428	3,563,576	5,747	4,358,326

CROWN GRANTS REGISTERED, &c.

No. 149.—DECENNIAL RETURN showing the Number and Area of CROWN GRANTS registered, &c., under the Real Property Act.

Year.	Number of Grants.	Area.			Value.	Assurance.
		Town and Suburban.	Country.	Total.		
1869	2,967	1,161 1 35½	168,791 3 6½	169,953 1 2	185,939 4 4	389 6 0
1870	3,301	1,432 3 30½	139,982 3 25½	141,415 3 26½	163,557 10 6	342 15 10
1871	3,108	418 2 38	138,553 3 34½	138,972 2 32½	162,107 6 2	338 3 5
1872	3,637	400 1 37½	173,522 1 13½	173,922 3 11	187,783 17 6	392 0 7
1873	3,454	446 1 32½	237,433 1 32½	237,879 3 25½	248,792 1 6	518 10 9
1874	4,080	876 2 32½	279,478 3 12½	280,355 2 5	320,228 18 9	680 3 7
1875	9,830	1,585 2 35	833,370 2 0	834,956 0 35	848,883 1 10	1,779 2 9
1876	5,275	798 3 11	659,212 3 33	660,011 3 4	671,353 18 11	1,400 14 2
1877	9,107	1,248 2 44	1,173,937 3 12½	1,174,286 1 16½	1,204,648 3 0	2,512 2 4
1878	13,303	1,038 2 12½	2,038,124 3 2	2,039,163 1 14½	2,068,908 4 10	3,314 2 4

STATISTICS—1878.

CIVIL JUSTICE.

SUPREME AND CIRCUIT COURTS.

No. 150.—RETURN showing the BUSINESS of the Supreme and Circuit Courts, and also the Divorce and Matrimonial Causes Court, during the Year 1878.

Civil Jurisdiction.			Equity.					Testamentary.			Appellate Jurisdiction.														
No. of Writs issued.	No. of Causes entered for Trial.	Total Amount for which Judgment signed.	No. of Bills filed.	No. of Claims.	No. of Petitions.	No. of Decrees and Orders.	No. of Probates and Administrations Will annexed.	Amount sworn to.	No. of Letters of Administration.	Amount sworn to.	No. of Cases from Insolvent Court.	No. of Cases from District Court.													
3,280	319	£ s. d. 278,126 10 5	50	Nil	72	115	573	£ s. d. 1,735,064 10 0	514	£ s. d. 281,367 0 0	3	9													
Actions at Law.			Suits and Proceedings in Equity.					Admiralty, Insolvency, and Ecclesiastical.			Orders made in Chambers and in Banco of all kinds.		Criminal Sittings.												
Amounts recovered.			No. of Days occupied in Jury Trials on Circuit.					Value of Property in Contest: i.e.—How many Suits or Proceedings affected Property of—			No. of Orders and Decrees made in these Jurisdictions severally.			No. of Days' Sittings in each, including Equity Appeals and Appeals in Insolvency.			No. of Orders in Banco.		No. of Orders in Chambers.		No. of Days on Circuit.		No. of Days in Sydney.		
* £ £5,000 and upwards.	* £ £500 up to £5,000.	* £ £50 up to £500.	No. of Writs of Ejectment.	No. of Days occupied in Jury Trials on Circuit.	No. of Days occupied in Jury Trials in Sydney Banco.	No. of Days' Sittings in Banco.	No. of Bills and Answers filed.	No. of Petitions and Motions.	No. of Orders and Decrees made, of all kinds.	No. of Appeals to the full Court.	Hearings.	Appeals.	* £5,000 and upwards.	* £500 up to £5,000.	* £50 up to £500.	Admiralty.	Insolvency.	Ecclesiastical.	Admiralty.	Insolvency.	Ecclesiastical.	No. of Orders in Banco.	No. of Orders in Chambers.	No. of Days on Circuit.	No. of Days in Sydney.
* 3	* 3	* 3	103	...	82	79	84	111	115	7	66	7	*	*	*	3	6	7	8	10	14	214	252	*	*

DIVORCE AND MATRIMONIAL CAUSES COURT.

Petitions for Dissolution of Marriage.	Petitions for Judicial separation.	Petitions for Alimony.	Appearances entered.	Answers filed.	Affidavits filed.	Citations filed.	Replications filed.	Motions for hearing.	Orders to set down Causes for hearing.	Decrees for Dissolution of Marriage.	Rules discharged.	Cases alimony granted in.	Orders to protect wife's earnings.	Orders for substitution of service.	Orders to examine witnesses under Commission.	Orders of Court.	Orders to proceed <i>in forma Pauperis</i> .	Orders for service out of jurisdiction.	Orders dismissing Petitions on application.	Subpoenas.	Commission to examine witnesses.	Records of Issues.	Appeals to full Court.	Attachments issued.	Petition for restitution of conjugal rights.	Orders on appeal.	Orders allowing Attorney General to intervene.	Orders staying proceedings.	Master's Certificates.
17	...	2	5	4	199	23	1	49	15	11	...	3	...	4	...	6	1	1	...	15	...	9	2	1	1	2

* Cannot be ascertained.

No. 151.—RETURN of the Number of CIVIL CASES tried in the Supreme and Circuit Courts, during the Year 1878.

District where tried.	Juries of Four.		Juries of Twelve.		Total.
	Defended.	Undefended or Settled.	Common.	Special.	
Supreme Court, Sydney ...	151	94	1	246
Circuit Courts ...	Albury ...	4	1	5
	Armidale ...	7	2	9
	Bathurst ...	3	2	5
	Deniliquin ...	3	2	5
	Dubbo ...	4	1	5
	Goulburn ...	5	4	9
	Grafton ...	4	2	6
	Maitland ...	7	3	10
	Mudgee ...	1	3	4
	Tamworth ...	2	4	6
	Wagga Wagga ...	5	2	7
Yass
TOTAL, CIRCUIT COURTS ...	45	26	2	73
GENERAL TOTAL ...	196	120	3	319

No. 152.—DECENNIAL RETURN of the Number of CIVIL CASES tried in the Supreme and Circuit Courts.

Year.	Before Juries of Twelve.		Before Juries of Four.		Total.
	Common.	Special.	Defended Cases.	Undefended Cases.	
1869	2	110	6	118
1870	103	4	107
1871	84	1	85
1872	96	3	99
1873	132	6	138
1874	154	3	157
1875	129	2	131
1876	208	*85	293
1877	4	184	*98	286
1878	3	196	*120	319

STATISTICS—1878.

CIVIL JUSTICE—continued.

DISTRICT COURTS.

No. 153.—RETURN showing the Number of Suits commenced in the several DISTRICT COURTS in the Colony, during the Twelve Months preceding the 1st day of March, 1879, and other particulars.

District.	The Number of Suits.		Settled.		The Number of Cases.			The Result of the Trials.		The Costs of the Suits.	The Number and Result of Appeals.			The Number of Cases left in Arrear.		The Number of	
	Commenced.	Total Amount Sued for.	Without hearing.	By Arbitration.	Tried.	By Jury.	Without Jury.	For Plaintiff.	For Defendant.		Appeals.	Judgments or Orders affirmed.	Reversed.	The Number of Cases left in Arrear.	Motions for New Trials.	New Trials granted.	
METROPOLITAN AND HUNTER DISTRICT.																	
Sydney	6,874	78,721 9 0	2,939	...	3,862	28	3,834	3,567	295	6,950 12 6	73	9	1		
Parramatta	66	1,348 12 1	33	...	33	...	33	30	3	78 11 5		
Windsor	71	804 7 7	26	...	45	...	45	38	7	39 13 0		
Campbelltown	78	1,167 14 0	19	...	59	1	58	35	24	64 10 10		
Penrith	30	323 1 1	13	...	17	...	17	14	3	11 15 6		
Newcastle	304	5,227 8 2	124	1	179	3	176	162	17	595 14 1	3	1		
Maitland	192	2,918 3 11	42	...	150	1	149	126	24	59 5 0		
Singleton	38	546 0 9	14	...	23	...	23	17	6	56 12 8	1		
Muswellbrook	19	204 10 9	5	...	14	...	14	9	5	20 8 2		
Scone	15	598 13 8	5	...	10	...	10	10	...	12 19 4		
SOUTHERN DISTRICT.																	
Goulburn	98	3,669 13 2	51	...	47	9	38	45	2	55 8 6		
Berrima	51	1,391 13 10	18	...	23	...	23	20	3	46 11 10	10		
Wollongong	40	1,453 14 0	23	...	17	...	17	9	8	92 11 10		
Kiama	57	1,328 8 4	34	...	23	1	22	19	4	98 6 10		
Nowra	44	2,024 17 9	14	...	29	2	27	24	5	56 7 6	1	...		
Queanbeyan	30	1,182 9 10	10	1	18	...	18	14	4	110 15 6	1	...		
Cooma	165	5,139 18 4	68	...	90	14	76	86	4	118 13 0	1	1	7	2	...		
Bombala	57	2,223 14 6	12	...	45	1	44	35	10	74 18 0	6	...		
Bega	90	1,830 19 8	39	3	42	2	40	37	5	132 10 8	2	1		
Moruya	26	1,087 18 9	3	1	20	4	16	15	5	88 15 2	...	2	2	2	...		
Eden	10	243 15 10	3	...	5	1	4	4	...	53 0 4	2	2	2	1	...		
Braidwood	52	991 6 6	18	...	33	...	33	33	...	25 1 8	7	...		
Yass	135	4,442 19 10	49	...	79	2	77	70	9	89 1 0		
Milton	46	462 3 1	21	...	25	...	25	24	1	24 8 0		
SOUTH-WESTERN DISTRICT.																	
Albury	124	2,651 6 5	60	1	63	2	61	60	3	425 10 10		
Gundagai	45	1,425 0 6	21	...	24	...	24	23	1	50 1 2		
Tumut	30	1,380 6 2	14	...	16	...	16	14	2	108 2 6	6	...		
Burrowa	36	1,092 17 4	7	...	23	...	23	22	1	45 4 6	5	...		
Wagga Wagga	214	4,434 10 6	123	...	86	...	86	81	5	461 4 5	4	...		
Deniliquin	102	3,805 2 3	47	...	62	...	62	57	5	414 11 9	1		
Wentworth	21	1,079 7 8	6	...	11	1	10	10	1	189 12 6		
Hay	101	4,519 1 4	43	...	57	5	52	51	6	579 10 6		
Young	72	2,456 9 3	35	...	37	3	34	34	3	129 8 10		
Corowa	50	1,342 4 1	19	...	31	1	30	28	3	36 10 0		
Grenfell	35	1,627 13 9	16	...	19	...	19	16	3	28 5 6		
Balranald	16	1,101 11 7	7	...	9	...	9	8	1	14 10 0		
Moama	8	429 13 9	6	...	6	5	1	6 4 0	2	...		
WESTERN DISTRICT.																	
Bathurst	142	4,096 13 2	54	...	83	5	78	73	10	475 5 0	1	...	5		
Dubbo	81	4,225 11 5	22	...	59	8	51	45	14	663 1 0	1		
Wellington	43	1,829 3 10	11	...	32	1	31	28	4	259 17 8		
Orange	69	2,186 9 8	39	1	27	2	25	23	4	54 18 0		
Forbes	22	1,206 10 3	15	...	7	...	7	5	2	24 11 4		
Carcoar	44	1,802 9 5	17	...	20	4	16	14	6	150 13 5	7	...		
Hartley	9	365 11 6	9	...	9	5	4	8 12 0		
Mudgee	114	3,181 8 1	63	...	50	4	46	47	3	68 12 6	1	1		
Hill End	18	602 1 4	6	...	11	...	11	10	1	10 13 6		
Molong	25	857 8 2	16	...	8	...	8	6	2	13 9 0		
NORTHERN DISTRICT.																	
Armidale	76	1,643 14 0	45	...	31	1	30	25	6	59 14 0		
Narrabri	54	1,354 19 10	36	...	18	2	16	16	2	33 10 0		
Tamworth	111	2,780 2 8	42	...	68	3	65	58	10	325 8 9	1	1		
Murrurundi	114	1,477 12 11	33	...	81	...	81	72	9	105 16 6		
Tenterfield	49	1,275 16 7	3	...	37	1	36	36	1	26 18 0	9	...		
Glen Innes	44	1,585 18 2	7	1	34	...	34	21	13	261 5 10	2	...		
Inverell	37	878 7 2	12	...	20	1	19	15	5	167 15 8	5	...		
Gunnedah	22	952 3 3	8	...	14	...	14	13	1	15 8 8		
Vegetable Creek	2	30 0 0	2	...	2	1	1	0 18 0		
Bingera		
Warialda	3	50 13 5	3	...	3	2	1	4 16 0		
NORTH-WESTERN DISTRICT.																	
Bourke	55	4,205 15 1	21	...	30	...	30	25	5	467 6 8	4	...		
Casino	51	1,718 0 4	20	...	31	...	31	22	9	186 0 3		
Wirgham	40	431 6 11	17	...	22	...	22	16	6	36 3 6	1	...		
Port Macquarie	8	717 2 11	1	...	7	2	5	3	4	7 19 0		
Kempsey	11	388 3 0	4	...	6	...	6	3	3	9 13 6	1	...		
Grafton	142	3,259 13 4	69	...	66	3	63	62	4	301 11 4	7	...		
Coonabarabran	1	36 0 0	1	...	1	1	...	1 2 0		
Coonamble	11	192 7 0	2	...	9	...	9	9	...	27 16 0		
Wilcannia	9	750 4 6	3	...	5	...	5	4	1	97 15 4	1	...		
Walgett	3	233 17 8	3	...	3	2	...	7 12 2		
GENERAL TOTAL.	10,859	191,594 5 1	4,547	9	6,126	119	6,007	5,515	610	15,319 13 5	6	3	2,177	18	4		

STATISTICS—1878.

301

EQUITY, &c.—FEES.

No. 154.—DECENNIAL RETURN of the Amount of FEES collected in the Departments of the Master in Equity and the Prothonotary.

Year.	Curator of Intestate Estates—Duties on Estates of persons dying Intestate.	Equity.	Prothonotary—Ecclesiastical.	Divorce.	Prothonotary—Miscellaneous.	Total.
	£ s. d.	£ s. d.	£ s. d.	£ s. d.	£ s. d.	£ s. d.
1869	1,736 4 9	536 7 1	117 4 10	1,493 11 0	3,883 7 8
1870	128 15 3	493 2 1	104 19 9	1,615 0 6	2,341 17 7
1871	615 1 9	488 3 10	109 11 7	1,651 1 5	2,863 18 7
1872	696 16 5	605 6 6	107 4 10	1,497 16 0	2,907 3 9
1873	473 3 1	510 7 5	121 14 7	1,918 6 0	3,023 11 1
1874	813 4 2	479 6 4	131 5 2	1,826 5 8	3,250 1 4
1875	395 14 9	547 15 0	106 14 3	111 3 6	1,939 1 11	3,100 9 5
1876	412 7 0	695 19 2	*	68 11 6	2,626 14 8	3,803 12 4
1877	428 14 1	465 17 11	*	89 14 7	3,193 10 7	4,177 17 2
1878	448 5 9	573 5 7	*	74 7 3	3,727 16 6	4,823 15 1

* Included in Miscellaneous.

INTESTATE ESTATES.

No. 155.—RETURN of INTESTATE ESTATES dealt with by the CURATOR during the Year ended 31 December, 1878, and also the BALANCE paid into the Treasury of ESTATES of previous Years.

Sex of Intestate.	Estates dealt with by the Curator during the Year.					
	Fresh Estates.				Balances of Estates remaining from previous years paid into Treasury.	
	Number.	Estimated Value.	Actual Receipts.	Actual Payments.	Number.	Payments.
		£ s. d.	£ s. d.	£ s. d.		£ s. d.
Males	200	*	} 16,658 17 1	4,568 15 9	*	*
Females	5	*				
Total	205	*	16,658 17 1	4,568 15 9

* Cannot be ascertained.

No. 156.—DECENNIAL RETURN OF INTESTATE ESTATES.

Year.	Intestate Estates dealt with by the Curator.			Amount received by the Curator		Amount paid by the Curator	
	Number.		Estimated Value of fresh Estates.	On fresh Estates.	On Estates remaining from previous years.	On fresh Estates.	On Estates remaining from previous years.
	Fresh Estates.	Estates remaining from previous years.					
			£ s. d.	£ s. d.	£ s. d.	£ s. d.	£ s. d.
1869	96	12,362 7 0	10,960 7 10
1870	92	5,446 11 6	663 4 1	4,002 9 7	663 4 1
1871	124	27,992 8 9	27,176 11 7
1872	123	18,903 7 7	771 17 10	17,011 12 10	771 17 10
1873	125	10,148 1 3	3,875 5 8	7,362 6 3	3,875 5 8
1874	133	17,896 17 3	1,551 11 4	15,408 1 3	1,551 11 4
1875	151	8,000 13 9	5,138 4 2	4,626 1 1	5,138 4 2
1876	199	13,998 9 5	13,024 10 6	4,168 10 5	13,024 10 6
1877	228	13,188 15 3	5,679 8 4
1878	205	16,657 17 1	4,568 15 9

INSOLVENCIES.

No. 157.—DECENNIAL RETURN of the Number of INSOLVENCIES in the Colony.

Year.	Number of Insolvents.			Amount of Liabilities as shown in the Insolvents' Schedules.	Amount of Assets as shown in the Insolvents' Schedules.	Number of Assignees elected by Creditors to act with the Official Assignee.	Amount of Deficiency shown in the Insolvents' Estates.	Amount of Court Fees in Insolvency collected under the Act of Council, and paid at the Treasury.
	Voluntary.	Compulsory.	Total.					
	No.	No.	No.	£ s. d.	£ s. d.		£ s. d.	£ s. d.
1869	513	17	530	483,145 13 10	296,979 12 3	1	186,166 1 7	1,882 10 11
1870	448	28	476	671,870 11 1	394,006 19 8	4	277,863 11 5	1,812 7 5
1871	515	29	544	325,941 5 9	124,288 11 10	3	201,652 13 11	2,023 18 7
1872	457	35	492	370,035 3 6	127,217 7 11	242,817 15 7	1,681 13 9
1873	392	34	426	301,225 8 7	120,136 4 5	3	181,089 4 2	1,587 2 0
1874	394	33	427	254,641 11 2	89,447 5 1	165,194 6 1	1,458 16 0
1875	462	38	500	536,439 18 6	172,181 8 4	1	364,258 10 2	1,764 3 0
1876	461	41	502	492,846 12 0	169,603 7 8	2	323,243 4 4	1,738 17 0
1877	534	54	588	508,352 10 4	210,821 4 1	2	297,531 6 3	1,850 4 0
1878	652	64	716	664,736 5 4	350,176 9 2	314,559 16 2	2,326 3 0

MINERS' RIGHTS, MINERAL AND BUSINESS LICENSES.

No. 158.—RETURN showing the Number of MINERS' RIGHTS, MINERAL AND BUSINESS LICENSES, issued at each of the Gold Fields in the Colony, during the Year 1878.

Name of Gold Field.	Miners' Rights.	Licenses.		Name of Gold Field—continued.	Miners' Rights.	Licenses.	
		Mineral.	Business.			Mineral.	Business.
	No.	No.	No.		No.	No.	No.
Armidale	76	2	1	Major's Creek	74
Adelong	359	8	Mudgee	159	5
Araluen	244	7	Moruya	36
Albury	49	2	15	M'Guigan's	36	2
Bingera	106	1	Mitchell's Creek	60
Barraba	84	1	1	Menindie	2
Bombala	27	17	Nerrigandah... ..	123	14
Braidwood	83	1	Nowra	80	5
Bathurst	47	10	Nundle	215	12
Bega	21	Nerriga	11
Ballina	14	Orange	87	2
Bulladelah	51	Oberon	3
Barrington	659	58	Parkes	248	1	38
Cowra	2	1	Queanbeyan	36	1
Cooma	3	Rockley	43	11	27
Corowa	5	Reedy Flat	77	7
Carcoar	67	2	Sofala	449	21
Cargo	42	7	Scone	36	1
Coonabarabran	5	Trunkey	81	20
Cootamundra	9	Tuena	47	5	1
Dalmortou	7	3	Tumbarumba	135	6
Dungog	18	3	Tamworth	2
Forbes	176	1	58	Tenterfield	77	7	7
Gundagai	78	2	Tingha	85	4
Gulgong	451	1	53	Uralla	12
Grafton	13	Urana	20
Gundaroo	16	Vegetable Creek	1	36
Grenfell	177	17	Windeyer	4	1
Glen Innes	20	28	Wellington	30	2
Hay	4	5	Wagga Wagga	68	1
Hargraves	374	39	Walcha	34	1
Hill End	559	16	Wilson's Downfall	11	35	8
Hartley	1	Wingham	26
Ironbarks	243	1	28	Yarrara	10
Kiandra	112	1	2	Young	314	23
Lunatic	83	1	2	Issued at the Treasury	130	64	2
Little River	191	7				
Lionsville	50	General Total	7,302	290	568

STATISTICS—1878.

303

GOLD-MINING MACHINERY.

QUARTZ-MINING.

No. 159.—RETURN showing the Number and Description of Machines employed in QUARTZ-MINING in the Colony, in the Year 1878.

Mining Districts.	Quartz-mining.							
	Steam-engines employed in Winding, Crushing, &c.		Crushing Machines.	Stamp Heads.	Whims and Pulleys.	Water-wheels.	Derricks.	Whips.
	No.	Aggregate horse-power.						
			No.	No.	No.	No.	No.	No.
Bathurst District—								
Bathurst	3	40	3	35	5
Trunkey	1	100	3	79	1
Tuena	3	49	3	39
Carcoar	3	68	3	35
Cowra
Oberon
Rockley	1	6	1	6
Orange	4	100	4	28
Mitchell's Creek	3	24	3	13
Tambaroora and Turon District—								
Hill End	18	294	12	123
Sofala	6	90	6	42
Ironbarks	4	40	4	47
Mudgee District—								
Mudgee	1	16	2	12	1
Wellington	3	70	2	35
Hargraves	2	18	2	17
Lachlan District—								
Forbes	2	37	2	33
Parkes	4	93	1	15
Cargo	1	25	1	15
Grenfell	5	60	5
Young	1	16	1	10
Southern District—								
Araluen	2	20	3	28	1
Major's Creek	4	38	4	25
Little River	2	1	10
Nerrigundah	1	4	1	4
Shoalhaven	3	24	4	30	2
Moruya	1	16	1
Tumut and Adelong District—								
Adelong	5	74	2	30	4	2
Tumut	1	10
Yarrara	3	70	1	1
Albury	1	1
Queanbeyan	1	5	1
Peel and Uralla District—								
Armidale	1	8	1	8
Nundle	1	15	4
Barraba	2	14	2
Walcha	1	20	1	15
New England & Clarence District—								
Solferino	2	25	5	40	1	2	2
Lunatic	2	12	4	7	2
Dalmorton	1	30	1	10
Total	98	1,496	90	796	11	14

GOLD-MINING MACHINERY—*continued.*

ALLUVIAL MINING.

No. 159—(continued)—RETURN showing the Number and Description of Machines employed in ALLUVIAL MINING in the Colony, in the Year 1878.

Mining Districts.	Alluvial Mining.													
	Steam-engines employed in Winding, Pumping, &c.		Puddling Machines.	Whims and Pulleys.	Whips.	Quicksilver, as Compound Cradles.	Sluices and Toms.	Water-wheels.	Hydraulic Hoses.	Pumps.	Sluice-boxes.	Derricks.	Stamp Heads.	Boring Machines.
	No.	Aggregate horse-power.												
Bathurst District—			No.	No.	No.	No.	No.	No.	No.	No.	No.	No.	No.	No.
Bathurst			4	6
Trunkey			3
Tuena	18	3	...	3	20
Tambaroora and Turon District—														
Hill End			1	2	20
Sofala			8	17	...	17
Mudgec District—														
Mudgee			6	4	10	...	10	2	...	2	10
Lachlan District—														
Forbes	1	20	...	1
Southern District—														
Braidwood	10	5	...	40	50
Araluen	6	75	...	2	10	4	20
Major's Creek			11
Little River	10	...	10	930
Nerrigundah	1	...	1
Moruya... ..			1
Tumut and Adelong District—														
Adelong	1	...	1
Tumut	2
Kiandra	1	40	1	1
Peel and Uralla District—														
Armidale	1	6	1
Nundle...	1
Bingera	1	15
New England and Clarence District—														
Solferino	1	1
Wilson's Downfall	2	8	3
Vegetable Creek	10	99
Total... ..	22	263	35	14	10	...	41	52	4	99	1,030

PUBLICANS' LICENSES.

No. 160.—RETURN showing the Number of PUBLICANS' LICENSES issued in the Colony, during the Year 1878.

Districts.	Number.	Districts—continued.	Number.
Sydney (City and Suburbs)	871	Mitchell	6
Country Districts—		Moama	16
Adelong	11	Molong	29
Albury	51	Moree	9
Araluen	1	Moruya	18
Armidale	35	Mossgiel	3
Ballina	4	Moulamein... ..	3
Balranald	14	Mudgee	35
Barraba	3	Murrumburrah	2
Bathurst	79	Murrurundi	20
Bega	16	Murwillumbah	1
Bendemeer... ..	1	Muswellbrook	12
Berrima	16	Narrabri	6
Bingera	5	Narandera	4
Blayney	1	Newcastle	139
Boggabri	3	Nerrigundah	2
Booligal	2	Nowra	2
Bombala	11	Nundle	9
Bourke	53	Oberon	1
Braidwood... ..	25	Obley	6
Bundarra	2	Orange	53
Burrowa	19	Parkes	9
Camden	7	Parramatta... ..	39
Campbelltown	8	Paterson	5
Cannonbar	8	Penrith	17
Carcoar	40	Picton	2
Casino	14	Pooncarie	2
Cassilis	8	Port Macquarie	3
Clarence Town	2	Port Stephens	9
Condobolin	17	Queanbeyan	17
Coolah	1	Quirindi	2
Cooma	26	Raymond Terrace... ..	5
Coonabarabran	12	Rockley	4
Coonamble... ..	27	Rydal	1
Corowa	23	Ryde	1
Cowra	9	Rylstone	10
Crookwell	2	Seone	8
Dandaloo	1	Shoalhaven... ..	10
Deniliquin	60	Singleton	20
Denison Town	2	Sofala	7
Dubbo	58	Stony Creek	14
Dungog	5	Stroud	15
Eden	9	Tambaroora	15
Ellalong	1	Tamworth	72
Euabalong	1	Ten-mile Creek	11
Euston	4	Tenterfield... ..	19
Forbes	60	Tocumwal	4
Glen Innes	19	Toogong	7
Gosford	5	Trunkey Creek	13
Goulburn	61	Tuena	4
Grafton	72	Tumbarumba	7
Grenfell	20	Tumut	13
Greta	1	Ulladulla	1
Gulgong	25	Urana	6
Gundagai	38	Uralla	3
Gunnedah	27	Vegetable Creek	1
Gunning	2	Wagga Wagga	110
Hargraves and Windeyer	7	Walcha	4
Hartley	28	Walgett	17
Hay	67	Wallabadah	12
Hill End	2	Wallerawang	1
Hillston	15	Waratah	33
Howlong	1	Warialda	21
Inverell	19	Warren	11
Jerilderie	5	Wee Waa	12
Kiama	8	Wellington... ..	24
Kiandra	2	Wentworth	19
Lawrence	2	Wilcannia	14
Lismore	6	Windsor	25
Lithgow	2	Wingham	6
Liverpool	9	Wollombi	5
Maclean	5	Wollongong	22
Macleay River	17	Woodburn... ..	1
Maitland	64	Yass	24
Menindie	9	Yetman	1
Merriwa	5	Young	35
Milton	2		
		Total	3,312

STATISTICS—1878.

306

PERMANENT MILITARY FORCES.

No. 161.—RETURN showing the Distribution of the REGULAR MILITARY FORCES of the Colony on the 31st December, 1878.

Corps or Company.	Colonel Commandant.	Colonel Commanding Artillery Forces.	Brigade Major.	Brigade Pay and Quartermaster.	Medical Officer.	Majors.	Captains.	Subalterns.	Sergeants.	Trumpeters.	Rank and File.	Total.
General Staff...	1	1	1	1	1	5	10
New South Wales Artillery	1	3	2	7	27	9	293	342
Total	1	1	1	1	1	3	3	12	27	9	293	352

VOLUNTEER FORCE.

No. 162.—RETURN showing the Distribution of the VOLUNTEER FORCE on the 31st December, 1878.

Distribution.	Surgeons.	Lieutenants.	Chaplains.	Sergeants.	Corporals.	Privates.	Total.
New Organization... { Permanent Staff.....	6	2	4	12
{ Head-quarters Band	1	1	1	30	33
{ Medical Staff	2	2
Old Organization... { Honorary Staff	5	5
	2	1	5	7	3	34	52

ARTILLERY.

Distribution.	Lieutenant-Colonel.	Majors.	Captains.	1st Lieutenants.	2nd Lieutenants.	Permanent Staff			Trumpet Majors.	Battery Sergeant-Majors.	Sergeants.	Corporals.	Trumpeters.	Gunners.	Total.
						Adjutant, Pay, & Qr.-master.	Regtl. Sergt.-Majors.	Qr.-master Sergeant.							
New Organization... { Sydney	1	1	4	4	2	1	1	1	4	90	109
	1	1	44	46
	Wollongong	1	1	46	48
	1	1	5	6	3	1	1	1	4	180	203
Old Organization... { Sydney	4	2	2	2	32	18	4	207	271
	1	...	4	5
	4	2	2	2	32	19	4	211	276

STATISTICS—1878.

307

No. 162 (continued)—RETURN showing the Distribution of the VOLUNTEER FORCE—continued.

ENGINEERS.																	
Distribution.	Major.	Captain.	Lieutenants.	Colour-Sergeant. (Staff.)	Quartermaster-Sergeant.	Sergeants.	1st Corporals.	2nd Corporals.	Buglers.	Sappers.	Total.						
New Organization..... Sydney	1	2	1	2	50	56						
Old Organization..... Sydney	2	2	2	...	13	19						
	...	1	2	1	...	2	2	2	2	63	75						
TORPEDO AND SIGNALLING CORPS.																	
Distribution.	Major.	Captain.	1st Lieutenant.	2nd Lieutenant.	Sergeant-Major (Staff.)	Colour-Sergt.	Sergeants.	1st Corporals.	2nd Corporals.	Buglers.	Privates.	Total.					
Sydney	1	1	2	2	1	...	5	5	3	2	73	95					
INFANTRY.																	
Distribution.	Lieutenant-Colonels.	Majors.	Captains.	1st Lieutenants.	2nd Lieutenants.	Medical Officers.	Quartermasters.	Permanent Staff.			Bugle Major.	Colour-Sergeants.	Sergeants.	Corporals.	Buglers.	Privates.	Total.
								Adjutant, Pay, & Quartermaster.	Regimental Sergeant-Major.	Regimental Qr.-master-Sergt.							
New Organization...	Sydney	2	2	8	8	13	...	2	2	2	1	4	12	237	293
	Western District	1	4	3	3	...	1	1	1	204	218
	Northern District	1	2	2	3	2	124	134
	Southern District	1	1	2
		2	4	15	14	19	...	3	3	3	1	4	14	565	647
Old Organization...	Sydney	2	2	3	3	1	43	31	5	417	507
	Western District	3	3	1	1	24	10	7	204	253
	Northern District	1	1	1	2	13	7	...	104	129
	Southern District	2	2	2	1	17	15	3	156	198
		8	8	7	7	1	97	63	15	881	1087
General Total.....	2435

NAVAL BRIGADE.

No. 163.—RETURN showing the Distribution of the NAVAL BRIGADE on the 31st December, 1878.

Corps or Company.	Captain Commanding Brigade, Sydney.	Commanders.	Lieutenants Commanding Companies.	Sub-Lieutenants.	Medical Officers.	Clerk and Accountant.	Warrant and Petty Officers.	Midshipmen and Cadets.	A.B's.	Gunnery Instructors.	Total
Sydney ...	1	1	4	4	1	1	16	14	184	1	227
Newcastle	1	1	1	1	4	1	46	1	56
Total ...	1	2	5	5	2	1	20	15	230	2	283

ARTILLERY GUNS.

No. 164.—RETURN showing the Number and Calibre of ARTILLERY GUNS in the Colony on the 31st December, 1878.

Description.	Guns.						
	Mounted.		Dismounted.		Total Guns.	Unserviceable (not included in the foregoing.)	
	No.	Calibre.	No.	Calibre.	No.	No.	Calibre.
18-ton ...	6	10-inch	6
12-ton ...	4	9-inch ...	2	9-inch ...	6
110-pounders	2	7-inch ...	2
10-inch ...	10	10-inch	10
8-inch ...	6	8-inch	6
80-pounders ...	20	6-inch ...	5	6-inch ...	25
68-pounders ...	10	8-inch ...	8	8-inch ...	18
42-pounders ...	10	6'97-inch	10
40-pounders (Armstrong)	5	4'75-inch	5
32-pounders ...	30	6'41-inch ...	13	6'41-inch ...	43
32-pounders (siege)	2	6'41-inch	2
24-pounders ...	4	5'823-inch ...	2	5'823-inch ...	6
20-pounders (Armstrong)	1	3'75-inch ...	1
16-pounders (M.L.R.)	10	3'6-inch	10
12-pounders (Field Guns)	7	4'58-inch ...	2	4'58-inch ...	9
9-pounders	4	4'2-inch ...	4
6-pounders ...	4	3'668-inch	4	4	3'668-inch.
3-pounders	1	1	2'91-inch.
Total ...	128	39	General Total ...	167	5

RECAPITULATION OF ARTILLERY GUNS.

Number and Description.		Calibre.	Weight of Shot or Shell.			
			Tons	cwt.	qrs.	lbs.
BRASS.		BRASS.				
9	12-pounders ...	4'58-inch ...	5	2	0	27
4	9-pounders ...	4'2-inch ...	10	14	2	1
8	6-pounders ...	3'668-inch ...	6	6	3	4
1	3-pounder ...	2'91-inch
IRON.		IRON.				
6	18-ton ...	10-inch ...	248	2	0	16
6	12-ton ...	9-inch ...	148	1	1	22
2	110-pounders ...	7-inch ...	42	0	2	4
10	10-inch ...	10-inch ...	88	17	1	24
6	8-inch ...	8-inch ...	9	6	0	17
25	80-pounders ...	6-inch ...	306	16	1	19
18	68-pounders ...	8-inch ...	229	10	2	11
10	42-pounders ...	6'97-inch ...	36	5	3	8
5	40-pounders (Armstrong)	4'75-inch ...	80	8	1	16
43	32-pounders ...	6'41-inch ...	216	2	3	2
2	32-pounders (siege)	6'41-inch
6	24-pounders ...	5'823-inch
1	20-pounder (Armstrong)	3'75-inch ...	0	8	1	22
10	16-pounders (M.L.R.)	3'6-inch ...	13	0	0	17
172	... Total.	Total ...	1,441	3	3	14

ELECTORS AND VOTERS.—GENERAL ELECTION, 1877.

No. 165.—RETURN showing the Number of Electors on the Rolls of the several ELECTORAL DISTRICTS of the Colony, as also the Number of Persons who recorded their Votes at the General Election in 1877.

Electoral District.	Date of Nomination.	Polling Day.	Number of Members returned.	Number of Electors on the Roll.	Number of Persons who voted.
Argyle	30 October, 1877...	1 November, 1877 ...	I	2,430	1,480
Balranald	29 " " " "	12 " " " "	I	3,440	797
Bathurst	27 " " " "	29 October, " " "	I	1,688	868
The Bogan	29 " " " "	12 November, " " "	I	7,401	2,481
Braidwood	26 " " " "	31 October, " " "	I	1,693	*.....
Camden	26 " " " "	30 " " " "	2	2,362	1,255
Canterbury	26 " " " "	29 " " " "	2	6,589	†.....
Carcoar	26 " " " "	30 " " " "	I	2,527	*.....
The Clarence	29 " " " "	3 November, " " "	I	4,681	2,795
Central Cumberland	26 " " " "	29 October, " " "	2	2,933	†.....
Eden	26 " " " "	30 " " " "	I	2,230	1,216
The Glebe	27 " " " "	29 " " " "	I	3,371	1,859
Goulburn	25 " " " "	26 " " " "	I	992	652
The Gwydir	29 " " " "	5 November, " " "	I	3,372	*.....
Hartley	26 " " " "	1 " " " "	I	1,951	1,230
The Hastings	29 " " " "	3 " " " "	I	3,171	1,093
The Hawkesbury	26 " " " "	30 October, " " "	2	1,380	†.....
The Hume	29 " " " "	5 November, " " "	I	3,149	484
The Hunter	26 " " " "	30 October, " " "	I	1,485	*.....
The Lower Hunter	26 " " " "	30 " " " "	I	723	*.....
The Upper Hunter	29 " " " "	3 November, " " "	I	3,276	1,651
Illawarra	26 " " " "	29 October, " " "	I	1,435	*.....
Kiama	27 " " " "	29 " " " "	I	1,227	*.....
The Lachlan	26 " " " "	3 November, " " "	I	4,978	*.....
Liverpool Plains	29 " " " "	3 " " " "	I	4,549	1,654
East Macquarie	1 November, " " "	5 " " " "	2	2,063	1,286
West Macquarie	26 October, " " "	31 October, " " "	I	1,143	541
East Maitland	30 " " " "	31 " " " "	I	768	534
West Maitland	29 " " " "	31 " " " "	I	1,082	727
Monaro	26 " " " "	2 November, " " "	I	2,389	1,289
Morpeth	27 " " " "	29 October, " " "	I	736	*.....
Mudgee	29 " " " "	5 November, " " "	I	4,796	2,130
The Murray	29 " " " "	5 " " " "	I	2,561	1,611
The Murrumbidgee	29 " " " "	5 " " " "	I	4,591	1,483
Narellan	26 " " " "	27 October, " " "	I	571	426
The Nepean	26 " " " "	29 " " " "	I	1,154	854
Newcastle	24 " " " "	26 " " " "	I	1,892	1,458
New England... ..	29 " " " "	3 November, " " "	I	2,639	1,299
Newtown	26 " " " "	27 October, " " "	I	3,334	1,310
Northumberland	26 " " " "	29 " " " "	I	4,387	3,189
Orange	24 " " " "	26 " " " "	I	2,433	*.....
Paddington	23 " " " "	26 " " " "	I	4,411	*.....
Parramatta	26 " " " "	27 " " " "	2	1,153	988
The Paterson	24 " " " "	27 " " " "	I	556	*.....
Patrick's Plains	26 " " " "	30 " " " "	I	1,436	758
Queanbeyan	26 " " " "	29 " " " "	I	1,351	910
St. Leonards	27 " " " "	31 " " " "	I	2,511	*.....
Shoalhaven	27 " " " "	31 " " " "	I	1,557	1,193
East Sydney	22 " " " "	24 " " " "	4	13,218	7,156
West Sydney	23 " " " "	25 " " " "	4	10,097	6,542
Tenterfield	29 " " " "	3 November, " " "	I	4,215	1,614
The Tumut	29 " " " "	5 " " " "	I	2,209	937
Wellington	26 " " " "	2 " " " "	I	2,496	1,512
The Williams... ..	26 " " " "	1 " " " "	I	1,489	1,052
Windsor	31 " " " "	1 " " " "	I	612	453
Wollombi	26 " " " "	2 " " " "	I	1,068	647
Yass Plains	27 " " " "	31 October, " " "	I	1,736	758
Total			69	158,787
Gold Fields South	27 October, 1877...	12 November, 1877 ...	I	† 1,500	*.....
Gold Fields West	27 " " " "	12 " " " "	I	†.....	840
Gold Fields North	27 " " " "	12 " " " "	I	†500	*.....
University of Sydney	5 November, " " "	6 " " " "	I	158	*.....
Total			73

* Not contested.

† Not stated in Return.

‡ Estimated.

REGISTERED ELECTORS AND VOTERS IN BOROUGHES AND MUNICIPAL DISTRICTS.

No. 166.—RETURN showing the Number of REGISTERED ELECTORS AND VOTERS in the several BOROUGHES and MUNICIPAL DISTRICTS of the Colony, for the Municipal Year ending Monday, 3rd February, 1879.

	Electors on the Roll.							Electors who voted at the last Annual Election.							Number of Wards open for Election of Aldermen at last Election.	Number of Wards Election contested in.	Number of Aldermen elected.	Total Number of Aldermen representing the Municipality.	Number of Wards in Municipality.
	Electors entitled to				Total Number.			Number who recorded				Total Number.							
	One Vote.	Two Votes.	Three Votes.	Four Votes.	Resident.	Non-resident.	Total.	One Vote.	Two Votes.	Three Votes.	Four Votes.	Resident.	Non-resident.	Total.					
Boroughs.																			
Albury	307	242	42	31	586	36	622												
Alexandria .. .	327	158	22	15	488	34	522	166	89	18	10	268	15	283					
Armidale	200	70	29	10	240	69	309												
Ashfield	285	110	43	26	257	207	464	133	68	25	17			243					
Balmain	2570	515	79	40	2871	339	3210	310	227	40	17	550	44	594					
Bathurst	1061	375	130	32	1543	55	1598	239	192	74	38	543		543					
Burwood	221	210	55	14	375	125	500	158	135	30	12	300	35	335					
Camperdown ..	550	203	64	13	737	151	888							*					
Central Illawarra	174	116	44	10	335	19	354							†					
Cudgegong .. .	251	116	37	14	407	11	418	181	89	10	11	291		291					
Darlington .. .	81	128	18	7	220	11	231							†					
The Glebe	548	484	165	88	1040	195	1235	147	137	84	39	388	19	407					
Goulburn	859	199	68	25	1046	105	1151	46	87	39	1	153		153					
Grafton	357	191	50	14	622	20	642	144	125	41	15	324	1	325					
Hill End	354	27	8	1	322	68	390	118	7	2		127		127					
Hunter's Hill ..	141	57	22	2	163	59	222							†					
Kiama	246	139	75	7	436	21	457	98	64	28	2	192		192					
Marrickville ..	273	183	47	48	323	223	551							†					
East Maitland ..	305	131	33	14	417	60	483	103	57	19	7	160	26	186					
West Maitland ..	835	252	76	30	1193	223	1416	281	114	23	20			443					
Morpeth	160	60	17	10	205	42	247							†					
Mudgee	2089	462	1259	1191	5091	50	5141	307	258	74	24	633	30	663					
Newcastle .. .	822	486	109	44	1531	1531	1531							*					
Newtown	259	45	6	4	164	150	314	79	18	3	1	92	9	101					
North Willoughby	355	166	33	12	511	25	536							†					
Orange	838	502	108	54	1552	113	1665	92	81	23	10			206					
Paddington .. .	943	290	72	21	1216	113	1329							*					
Parramatta .. .	407	237	38	20	702	27	729							†					
Petersham	370	49	21	3	425	27	452							†					
Plattsburg .. .	239	56	28	23	161	185	346							†					
Randwick	404	440	144	70	1106	42	1148	349	108	32	14	487	16	503					
Redfern	153	33	8	2	191	10	201							†					
Richmond	126	92	47	6	264	7	271							†					
Shellharbour ..	210	87	24	24	278	67	345	80	48	18	10	147	9	156					
Singleton	230	140	50	17	381	56	437	39	43	18	7	107		107					
St. Leonards ..	299	92	13	13	367	362	729							†					
St. Leonards ..	396	157	41	14	556	52	608							†					
Tamworth	114	100	41	13	212	56	268	62	62	27	13	146	18	164					
Victoria	538	34	11	1	588		588							†					
Wallsend	378	201	27	21	595	32	627							320					
Waterloo	192	100	40	18	221	129	350							†					
Waverley	227	74	10	..	308	3	311	52	37	8		97		97					
Windsor	262	328	130	144	734	128	862							†					
Wollongong .. .	173	83	11	3	262	13	275							†					
Woollahra	262	328	130	144	734	128	862							†					
Woolahra	262	328	130	144	734	128	862							†					
Wagga Wagga ..	331	192	63	30	524	92	616	40	29	10	2	81		81					
Total	20869	8766	3501	2233	35369									70	33	142	411	73	
Municipal Districts.																			
West Botany .. .	107	52	5	..	124	40	164							*	2		2	6	
*Bourke												
Broughton Creek and Bomaderry	122	55	5	1	181	2	183	32	25	2		59		59			3	9	
Broughton Vale ..	66	33	1	..	81	19	100	22	35			52	5	57			2	6	
*Carcoar												
*Central Shoalhaven												
Deniliquin	226	158	50	47	400	81	481	42	54	29	29	154		154			2	6	
Dubbo	250	85	31	10	331	45	376							†			2	6	
Five Dock	121	52	11	10	194		194							†	2		2	6	
Forbes	215	62	22	7	276	30	306							†			2	6	
Gerrington .. .	100	47	29	5	174	7	181	87	21	18	3	127	2	129			2	6	
Glen Innes	163	98	14	14	224	65	289							†			2	6	
Gulgong	581	62	14	2	625	34	659	361	35	12	1	409		409			2	6	
Hamilton	288	43	12	5	288	60	348							†			2	6	
Hay	165	79	21	21	258	27	285							†			2	6	
Inverell	164	93	19	9	258	27	285	50	52	12	15	129		129			2	6	
Lambton	463	49	7	5	518	6	524	78	16	3		97		97			2	6	
*Leichhardt												
Liverpool	286	63	15	5	300	69	369	125	30	11	3	166	3	169			2	6	
Manly	152	114	23	25	314		314							*			2	6	
*Molong												
Muswellbrook ..	100	60	13	9	161	21	182							†			2	6	
Macdonald Town ..	225	40	4	1	218	57	270	141	35	3	1	143	37	180			2	6	
North Illawarra ..	124	46	3	2	169	6	175							†			2	6	
Norwa	194	28	3	2	169	58	227							†			2	6	
Numba	75	42	1	1	115	4	119							†			2	6	
Penrith	232	89	11	5	322	11	327	162	89	9	3	253	4	257			2	6	
Prospect and Sherwood	194	41	8	4	212	35	247							*			2	6	
Ryde	182	100	21	5	265	43	308							*			2	6	
St. Peter's	429	9	17	8	342	121	463							*			2	6	
Tenterfield .. .	235	71	9	5	320	320	320	36	39	5	4	84		84			2	6	
Ulladulla	189	45	32	12	240	238	278							†			2	6	
Ulladulla	189	45	32	12	240	238	278							†			2	6	
Ulladulla	189	45	32	12	240	238	278							†			2	6	
Ulladulla	189	45	32	12	240	238	278							†			2	6	
Ulladulla	189	45	32	12	240	238													

STATISTICS—1878.

311

VACCINATION.

No. 167.—RETURN showing the Number of CHILDREN VACCINATED by the several Government Vaccinators in the Colony during the Year 1878, distinguishing those cases brought to a successful issue.

Districts.	Under 1 year of age.				From 1 to 5 years.				From 5 to 10 years.				Total number of cases.			
	Males.	Females.	Total.	Successful.	Males.	Females.	Total.	Successful.	Males.	Females.	Total.	Successful.	Males.	Females.	Total.	Successful.
City and Suburbs of Sydney	87	75	162	153	133	142	275	270	36	59	95	95	256	276	532	518
Country Districts—																
Albury	52	40	92	83	38	34	72	72	4	9	13	13	94	83	177	168
Armidale	11	17	28	28	50	39	89	89	11	23	34	34	72	79	151	151
Araucan																
Adelong																
Bathurst	1	3	4	4	10	7	17	17	7	11	18	18	18	21	39	39
Bega																
Berrima																
Binalong and Burrowa																
Bourke																
Bombala																
Braidwood	3	1	4	4	5	4	9	9	1	2	3	3	9	7	16	16
Camden																
Carcoar																
Cooma	3	1	4	4	6	15	21	21	12	17	29	29	22	32	54	54
Corowa	3	1	4	4	6	4	10	10	3	2	5	5	12	7	19	19
Dubbo																
Deniliquin	27	49	76	73	17	32	49	47					44	81	125	120
Dungog	1	2	3	3	3	3	6	6	2	1	3	3	6	6	12	12
Forbes																
Goulburn																
Gulgong	8	13	21	21	63	73	136	134	73	87	160	159	143	174	317	314
Grafton																
Gundagai																
Grenfell																
Hartley	32	19	51	51	101	69	170	170	56	160	216	216	189	248	437	437
Hill End																
Inverell																
Kempsey West																
Kiama																
Lambton																
Liverpool																
Mudgee	80	88	168	168	65	69	134	134	38	27	65	65	183	184	367	367
Macleay River																
Moama	9	9	18	18	3		3	3					12	9	21	21
Molong																
Morpeth																
Maitland East and Paterson	3	5	8	8	8	9	17	17	3	2	5	5	14	16	30	30
Maitland West																
Muswellbrook																
Moruya or Broulee					8	9	17	17	3	7	10	10	11	16	27	27
Milton																
Minmi, N. Hexham	7	16	23	23	35	20	55	55	12	6	18	18	54	42	96	96
Macdonald River (Vide Wollombi)																
Murrurundi																
Newcastle	2	9	11	11	38	35	73	73	6	4	10	10	46	48	94	94
Narrabri																
Orange																
Oberon																
Oxley																
Parramatta																
Parke																
Patrick's Plains	18	22	40	38	29	19	48	43	13	18	31	30	60	59	119	111
Penrith																
Port Macquarie																
Port Stephens																
Rockley																
Raymond Terrace	95	101	196	192	95	103	198	195	67	73	140	135	257	277	534	522
Richmond																
Rocky Mouth																
Rylstone																
Singleton																
Stroud, Port Stephens																
Sofala																
Tenterfield	6	4	10	10	38	45	83	79	26	29	55	52	70	78	148	141
Tamworth																
Tamut																
Wagga Wagga	20	20	40	40	58	64	122	122	32	38	70	70	110	122	232	232
Windsor																
Wollombi		1	1	1	8	5	13	13	9		9	9	17	6	23	23
Wallsend																
Wollongong																
Walcha																
Wellington																
Ulladulla																
Yass																
Young																
Total Country Districts	381	421	802	784	684	658	1342	1326	378	516	894	884	1443	1595	3038	2994
General Total	468	496	964	937	817	800	1617	1596	414	575	989	979	1699	1871	3570	3512

NOTE.—Returns have not been received from several Districts.

LAND SALES.

No. 168.—RETURN of LANDS Sold in the Colony of New South Wales, otherwise than conditionally, during the Year ending 31st December, 1878.

Counties	Lots.				Area.				Total Price.	Deposits forfeited.
	Town.	Suburban.	Country.	Total.	Town.	Suburban.	Country.	Total.		
SETTLED DISTRICTS.										
Argyle	No. 5	No.	No. 6	No. 11	a. r. p. 2 2 35	a. r. p.	a. r. p. 564 3 8	a. r. p. 567 2 3	£ s. d. 602 14 9	£ s. d.
Bathurst	37	4	37	78	29 3 7	8 1 10	2,413 0 7	2,451 0 24	3,292 10 10
Bligh	54	54	3,494 1 0	3,494 1 0	3,968 15 0
Brisbane	20	91	111	9 2 37	5,924 1 0	5,933 3 37	6,992 1 7	1 0 0
Camden	4	5	9	2 0 0	238 3 5	240 3 5	315 15 0
Cook	22	22	971 0 0	971 0 0	1,218 15 9
Cumberland	1	95	96	0 2 0	2,914 1 8	2,914 3 8	5,803 18 2
Durham	6	40	46	3 0 0	4,666 2 0	4,669 2 0	5,687 0 3	12 4 0
Georgiana	14	11	25	139 3 35	561 2 4	701 1 39	942 0 3	0 14 0
Gloucester... ..	15	35	50	10 1 0	2,079 2 0	2,089 3 0	2,687 7 6
Hunter	5	5	232 0 0	232 0 0	257 0 0
King	20	22	16	58	10 0 14	261 3 15	1,132 3 0	1,404 2 29	2,047 19 9
Macquarie	22	8	13	43	20 1 0	23 2 3	584 3 16	628 2 19	885 19 0	102 10 0
Murray	6	14	20	2 3 35	893 0 0	895 3 35	1,130 4 6
Northumberland	15	15	1,546 0 0	1,546 0 0	2,449 7 6
Phillip	3	10	26	39	0 3 9 ³ / ₄	16 3 35 ¹ / ₂	1,541 2 29	1,559 1 34 ¹ / ₄	1,773 17 6
Roxburgh	9	13	17	39	5 3 7 ³ / ₄	24 1 2	922 3 0 ¹ / ₂	952 3 9 ³ / ₄	1,274 7 5
St. Vincent	11	2	25	38	5 1 35	9 1 0	1,663 0 30	1,677 3 25	2,315 11 10
Wellington	11	12	18	41	1 0 39	8 3 13	1,166 2 35	1,176 3 7	1,766 14 9
Westmoreland	4	8	12	8 0 0	334 1 0	342 1 0	388 8 0
TOTAL, SETTLED DISTRICTS	170	89	553	812	104 2 19 ¹ / ₂	500 3 33 ¹ / ₂	33,845 0 22	34,450 2 35	45,800 9 4	116 8 0

LAND SALES—continued.

No. 168 (continued)—RETURN of LANDS SOLD, otherwise than Conditionally, &c.—continued.

Districts.	Counties.	Lots.				Area.				Total Price.	Deposits Forfeited.
		Town.	Suburban.	Country.	Total.	Town.	Suburban.	Country.	Total.		
PASTORAL DISTRICTS.											
Albert	Werunda	No.	No.	No.	No.	a. r. p.	a. r. p.	a. r. p.	a. r. p.	£ s. d.	£ s. d.
	Young			1	1			60 0 0	60 0 0	75 0 0	
Bligh	Ewenmar			2	2			200 0 0	200 0 0	270 0 0	
	Gowen	94		55	149	49 3 27		4,891 3 0	4,891 3 0	5,088 18 9	
	Leichhardt			64	64			9,083 1 0	9,133 0 27	11,751 2 3	
	Lincoln			25	25			15,472 1 0	15,472 1 0	19,340 18 9	
	Napier			32	32			2,992 1 0	2,992 1 0	3,108 4 0	
Bligh and Wellington...	Gregory			33	33			2,940 0 0	2,940 0 0	3,234 2 6	
Clarence	Bulker			1	1			7,620 0 0	7,620 0 0	8,951 5 0	
	Clarence	62		9	71	35 0 12		40 0 0	40 0 0	40 0 0	
	Richmond	64		101	165	34 1 3		537 2 0	572 2 12	1,485 7 9	
	Rous	5	37	84	126	2 2 30	38 2 16	8,535 3 0	8,570 0 3	12,220 4 7	
Clarence and Macleay ...	Fitzroy			32	32			11,826 0 0	11,867 1 6	14,452 17 4	
Clarence and New England ...	Clive	67	8	3	78	39 2 15	12 2 24	2,307 0 1	2,307 0 1	2,803 2 6	
	Drake			109	109			136 2 0	188 2 39	666 7 10	
	Gresham	11		2	13	5 0 11		7,770 2 0	7,770 2 0	9,641 2 4	
Darling	Caira			374	374			130 0 0	135 0 11	203 2 0	
	Menindie			23	23			107,514 0 0	107,514 0 0	130,826 9 9	
	Manara			2	2			11 2 0	11 2 0	335 15 0	
	Perry	10		6	16	5 0 0		150 0 0	150 0 0	187 10 0	
	Tara			34	34			1,644 2 0	1,649 2 0	2,276 7 6	
	Wentworth			23	23			9,952 1 0	9,952 1 0	12,440 5 0	
	Windeyer			8	8			4,889 0 0	4,889 0 0	6,087 10 0	
Darling and Albert	Livingstone			3	3			4,241 2 0	4,241 2 0	4,241 10 0	
Gwydir	Benarba			72	72			259 0 0	259 0 0	323 15 0	
	Burnett			88	88			7,599 2 0	7,599 2 0	8,805 0 0	
	Courallie			129	129			12,094 0 0	12,094 0 0	14,066 16 0	80 18 9
	Murchison			76	76			20,302 3 0	20,302 3 0	22,239 19 5	
	Stapylton			34	34			8,320 0 0	8,320 0 0	9,548 3 5	2 12 0
Gwydir and New England ...	Arrawatta			12	12			5,321 2 0	5,321 2 0	6,052 14 6	
Lachlan... ..	Bland	36		176	212	18 0 0		1,736 2 0	1,736 2 0	1,778 10 0	
	Blaxland			3	3			37,469 1 0	37,487 1 0	45,641 2 6	12 5 0
	Bourke			56	56			955 0 0	955 0 0	1,193 15 0	
	Clarendon	16	17	76	109	7 3 28	183 0 14	13,082 1 0	13,082 1 0	13,804 9 5	
	Cooper		6	149	155			8,863 0 0	9,054 0 2	10,423 18 0	115 18 7
	Dowling			48	48			9,054 0 2	9,054 0 2	10,423 18 0	
	Forbes		6	20	26			35,071 2 0	35,071 0 0	40,007 19 5	
	Franklin			52	52			8,884 2 0	8,884 2 0	9,861 1 3	
	Gipps			133	133			2,216 2 34	2,228 2 34	2,436 15 11	
	Harden	10	4	50	64	6 3 3	7 0 38	13,564 3 0	13,564 3 0	16,961 13 9	575 0 0
	Monteagle	6	95	14	115	2 3 0	186 2 16	26,073 1 0	26,073 1 0	31,578 14 9	
	Mossiel			28	28			5,576 2 0	5,590 2 1	6,701 0 11	2 18 0
	Nicholson	63		103	166	19 3 0		1,388 3 0	1,578 0 16	2,192 12 9	
	Sturt			54	54			7,593 0 0	7,593 0 0	9,491 5 0	
	Waljeers			24	24			28,084 1 0	28,104 0 0	32,271 5 2	0 16 3
Lachlan and Murrumbidgee ...	Waradery			160	160			16,175 0 0	16,175 0 0	18,059 3 3	
Liverpool Plains	Baradine	148		2	150	75 1 15		6,730 0 0	6,730 0 0	7,565 19 2	
	Buckland	9		73	82	4 2 0		47,193 1 0	47,193 1 0	55,781 19 6	
	Darling	89		17	106	47 1 27		441 0 0	516 1 15	1,626 12 8	
								5,955 1 0	5,959 3 0	7,172 12 11	40 0 0
								1,227 2 0	1,274 3 27	2,154 0 6	

LAND SALES—continued.

No. 168 (continued)—RETURN of LANDS SOLD, otherwise than Conditionally, &c.—continued.

Districts.	Counties.	Lots.				Area.				Total Price.	Deposits Forfeited.
		Town.	Suburban.	Country.	Total.	Town.	Suburban.	Country.	Total.		
		No.	No.	No.	No.	a. r. p.	a. r. p.	a. r. p.	a. r. p.	£ s. d.	£ s. d.
Liverpool Plains—continued ...	Denham ...			31	31			3,762 1 0	3,762 1 0	4,702 16 3	
	Jamieson ...			148	148			15,925 3 0	15,925 3 0	17,030 6 3	
	Nandewar ...			27	27			3,549 2 0	3,549 2 0	3,963 15 0	
	Parry... ..			6	6			641 2 0	641 2 0	723 2 6	
	Pottinger ...	116	34	210	360	58 1 31	106 0 37	26,965 2 31	27,130 1 19	30,916 4 1	
Liverpool Plains and New England ...	White ...		1	5	6		2 0 0	1,102 2 0	1,104 2 0	1,730 14 6	
	Inglis... ..			9	9			910 2 0	910 2 0	1,138 2 6	
Macleay... ..	Dudley ...	6		2	8	7 2 17		65 0 0	72 2 17	94 11 0	
	Raleigh ...	14	8	1	23	6 0 11	20 3 33	50 0 0	77 0 4	164 2 11	
Monaro ...	Auckland ...			13	13			993 1 0	993 1 0	1,200 6 4	
	Beresford ...			23	23			1,912 1 0	1,912 1 0	2,053 12 6	
	Dampier ...	2		6	8	1 0 0		250 0 0	251 0 0	314 0 0	2 8 6
	Wallace ...			11	11			577 3 0	577 3 0	660 16 3	
Murrumbidgee ...	Wellesley ...		5	60	65		14 2 19	3,520 3 0	3,535 1 19	4,035 19 8	
	Boyd ...			88	88			22,091 1 0	22,091 1 0	23,505 4 6	
	Bucleuch ...			15	15			880 3 0	880 3 0	1,026 0 0	
	Cadell ...			73	73			19,474 2 0	19,474 2 0	23,031 2 4	
	Denison ...	11		148	159	5 1 31		33,531 2 0	33,536 3 31	35,304 4 9	
	Goulburn ...	24	8	36	68	12 1 1	48 1 22	5,602 2 0	5,663 0 23	7,160 9 2	3 0 0
	Hume ...	32	6	87	125	15 2 38	13 2 2	23,518 0 30	23,547 1 30	27,690 13 1	
	Mitchell ...			45	45			10,122 1 0	10,122 1 0	11,435 11 3	
	Selwyn ...			11	11			2,093 1 0	2,093 1 0	2,410 14 0	
	Townsend ...	1		646	647	0 3 21½		165,517 3 36	165,518 3 17½	196,863 18 6	14 0 0
	Urana ...	96	43	286	425	48 3 12	258 2 7	64,764 1 0	65,071 2 19	76,739 0 8	46 9 2
	Wakool ...	27	11	495	533	13 3 0	21 1 20	155,480 3 0	155,515 3 20	188,265 2 5	25 0 0
	Wynyard ...	19	16	17	52	7 2 17	30 0 36	1,719 2 30	1,757 2 3	2,235 0 0	
	New England ...	Clarke ...			9	9			627 0 0	627 0 0	758 15 0
Gough ...		35		74	109	12 3 25		5,492 1 0	5,505 0 25	6,798 13 0	
Hardinge ...		43	5	28	76	21 2 0	28 1 9	3,738 2 27	3,788 1 36	4,340 4 8	
Hawes ...				231	231			14,343 1 25½	14,343 1 25½	17,494 6 9	
Sandon ...		41	3	146	190	20 1 9	6 0 0	11,494 0 25	11,520 1 34	13,646 17 1	
New England and Macleay ...	Vernon ...	12		45	57	5 3 28		3,639 3 0	3,645 2 28	4,144 5 6	
	Warrego ...	5	11	16	22	2 2 0	12 2 0	15 0 0	15 0 0	547 13 6	
Wellington ...	Finch... ..			19	19			6,580 0 0	6,580 0 0	8,458 6 0	
	Narran ...			4	4			1,254 0 0	1,254 0 0	1,567 10 0	
	Ashburnham ...	27	27	37	91	10 2 17½	69 1 17½	3,095 2 0	3,175 1 34¾	4,298 18 1	1 9 9
	Clyde... ..			10	10			3,643 0 0	3,643 0 0	4,021 5 0	
	Cunningham... ..			114	114			16,527 2 0	16,527 2 0	20,344 19 7	
	Gordon ...			16	16			1,628 3 31	1,628 3 31	2,000 18 8	25 0 0
	Kennedy ...			4	4			480 0 0	480 0 0	500 0 0	31 5 0
Narromine ...			14	14			3,119 3 0	3,119 3 0	3,594 13 9		
Oxley... ..			32	32			8,753 3 0	8,753 3 0	10,732 13 9		
TOTAL, PASTORAL DISTRICTS ...		1,201	351	5,977	7,529	605 1 30	1,085 2 30¼	1,174,550 2 30½	1,176,241 3 10¼	1,395,203 13 9	979 1 0
TOTAL, SETTLED DISTRICTS ...		170	89	553	812	104 2 19½	500 3 33½	33,845 0 22	34,450 2 35	45,800 9 4	116 8 0
GENERAL TOTAL ...		1,371	440	6,530	8,341	710 0 9½	1,586 2 23¾	1,208,395 3 12½	1,210,692 2 5¼	1,441,004 3 1	1095 9 0

STATISTICS—1878.

315

LAND SALES—continued.

No. 169.—DECENNIAL RETURN of Lands Sold otherwise than conditionally.

Year.	Extent of Land Sold.				Total Price.	Total Amount actually received in the Year, inclusive of Conditional Purchases and Interest on same, &c.
	Town Lots.	Suburban Lots.	Country Lots.	Total.		
	a. r. p.	a. r. p.	a. r. p.	a. r. p.	£ s. d.	£ s. d.
1869	366 3 29½	1,414 3 4	163,108 2 9¼	164,890 1 2½	182,630 17 8	319,612 17 8
1870	338 2 21½	927 0 4	93,107 2 28¾	94,373 2 14¼	112,814 18 11	250,842 16 4
1871	379 2 15½	802 2 3	87,455 1 32	88,637 2 10½	99,959 0 0	261,401 1 3
1872	350 0 22¾	967 0 17¼	165,516 2 1¼	166,833 3 1¼	177,062 0 6	432,373 0 9
1873	487 2 14¾	1,834 3 6¾	386,877 3 15¾	389,200 0 37¼	409,337 12 5	845,410 8 1
1874	621 2 22½	2,089 2 35¾	700,046 2 33¾	702,758 0 0	735,766 12 0	*1,111,040 19 2
1875	490 2 31½	3,415 0 24½	1,131,368 0 13	1,135,273 3 29	1,171,937 16 3	†1,760,570 9 7
1876	691 0 0½	4,358 2 10½	1,868,009 3 11¼	1,873,059 1 22¾	1,971,292 8 3	2,513,403 13 0
1877	548 3 1¼	1,522 2 21¼	2,148,687 2 36½	2,150,759 0 19	2,196,922 4 8	2,967,857 2 1
1878	710 0 9½	1,586 2 23¾	1,208,395 3 12½	1,210,692 2 5¾	1,441,004 3 1	2,076,011 7 1

* This amount is exclusive of refunds to the amount of £52,531 2s. 4d.
† Do. do. do. £57,038 7s. 1d.

CONDITIONAL PURCHASES.

No. 170.—RETURN showing the number of Acres sold conditionally in the Years 1862 to 1878 inclusive together with the amount realized for deposit, for balance of purchase money, for interest, and the gross amount realized in each Year.

Year.	Sold Conditionally.		Amount Realized.			Gross Amount realized.
	Number of Selections.	Area.	For Deposit.	For Balance of Purchase Money.	For Interest.	
		a. r. p.	£ s. d.	£ s. d.	£ s. d.	£ s. d.
1862 to 1868	22,995	1,764,061 3 16	441,015 11 6	81,373 0 0	52,137 2 8	574,525 14 2
1869	4,999	397,328 2 26	99,332 3 3¼	19,525 16 6	24,360 8 7	143,218 8 4¼
1870	4,471	329,318 1 2	82,329 11 4	18,348 3 2	30,057 19 7	130,735 14 1
1871	4,751	358,682 2 8	89,670 11 0	17,396 11 5	38,001 13 9	145,068 16 2
1872	8,281	749,586 3 0	187,396 11 6	24,692 8 1	45,676 3 5	257,765 3 0
1873	13,417	1,391,719 0 0	347,930 0 0	38,354 0 4	54,402 3 3	440,686 3 7
1874	14,510	1,586,282 0 0	396,570 10 0	43,642 14 6	63,344 8 1	503,557 12 7
1875	14,517	1,756,678 0 0	439,169 11 1	58,647 2 10	75,918 14 10	573,735 8 9
1876	12,654	1,984,212 0 0	496,053 8 2	68,834 1 5	99,328 14 8	664,216 4 3
1877	12,009	1,699,816 0 0	424,954 0 0	71,852 15 6	126,657 8 9	623,464 4 3
1878	12,602	1,588,247 3 18	398,728 11 1	*70,835 5 5	160,581 1 1	630,144 17 7
Total ...	125,206	13,605,932 3 30	3,403,150 8 11½	513,501 19 2	770,465 18 8	4,687,118 6 9¾

* Includes £23,774 16s. 9d. on account of Instalments.

LANDS GRANTED.

No. 171.—RETURN of LANDS set apart for PUBLIC PURPOSES in the Year 1878.

Place.	County.	No. of Grants under 100 Acres.		No. of Grants over 100 acres.	
		No.	Area.	No.	Area.
Town of Adelong	Wynyard	1	a. r. p.		Acres.
Amosfield	Buller	1	1 2 0		
Badjerribong	Cunningham	1	2 0 0		
Bullock Island	Northumberland	1	2 0 0		
Do.	do.	1	0 1 36 $\frac{1}{4}$		
Bungowannah	Hume	1	0 0 37 $\frac{3}{4}$		
Clarendon	Clarendon	1	1 2 0		
Coolac	Harden	1	1 0 0		
Cowra	Bathurst	1	1 2 0		
Cudal	Ashburnham	1	1 2 0		
Cudgegong	Wellington	1	2 0 0		
Dalton	King	1	0 1 39 $\frac{1}{2}$		
Doughboy Hollow	Buckland	1	1 2 0		
Forster	Gloucester	1	4 0 0		
Fullerton	Georgiana	1	2 0 0		
Goonoo Goonoo	Parry	1	1 2 0		
Gumbargama	Hume	1	1 2 0		
Hay	Waradgery	1	1 2 0		
Hill End	Wellington	1	7 0 0		
Morongla	Forbes	1	2 0 0		
Nattery	Argyle	1	2 0 0		
Nerriga	St. Vincent	1	2 0 0		
Power's Corner	Wellesley	1	2 0 0		
Redlands	Hume	1	2 0 0		
Sackville Reach	Cumberland	1	4 0 0		
At Scone	Brisbane	1	7 2 0		
Tocumwal	Denison...	1	7 2 0		
Tollbar Creek	Beresford	1	2 0 0		
Wallabadah	Buckland	1	1 3 20		
Waggahallah	King	1	2 0 0		
Walgett	Baradine	1	2 0 0		
Wellington	Wellington	1	0 0 11		
Yarrunga	Camden...	1	2 0 0		
Do.	do.	1	2 0 0		
Moruya	Dampier	1	6 3 31		
Back Creek	Goulburn	1	1 2 0		
Bathurst	Bathurst	1	0 2 0		
Bowning	Harden ...	1	1 2 0		
Box Ridge	Roxburgh	1	2 0 0		
Brawlin	Harden ...	1	2 0 0		
Brocklesley... ..	Hume	1	2 0 0		
Broke	Northumberland	1	0 2 0		
Bulga	Hunter ...	1	2 0 0		
Bungonia	Argyle	1	1 2 0		
Burrangang	Camden...	1	2 0 0		
Camden Haven	Macquarie	1	7 2 0		
Canonba	Gregory	1	1 0 23		
Canowindra... ..	Ashburnham	1	2 0 0		
Carrow Brook	Darham	1	2 0 0		
Cathcart	Wellesley	1	2 0 0		
Deep Creek	Nandewar	1	2 0 0		
East Argyle... ..	Argyle	1	2 0 0		
Everton	King	1	2 0 0		
Little Forest	Bathurst	1	2 0 0		
Middle Harbour	Cumberland	1	about 5 acres		
Moor Creek	Inglis	1	2 0 0		
Nowra	St. Vincent	1	1 2 0		
Spring Hill	Bathurst	1	5 0 0		
Springwood	Cook	1	1 2 29		
The Rocks	Clive	1	2 0 0		
Tuena	Georgiana	1		1	about 640
Urana	Urana	1	1 2 0		
Wallendbeen	Harden ...	1	1 2 0		
Do.	do.	1	1 2 0		
Yarra	Forbes ...	1	2 0 0		
Yarralaw	Argyle	1	2 0 0		
Yass	King	1	2 2 24		
Sydney	Cumberland	1	40 0 0		
Do.	do.	1	about 3a. 2r.		
Do.	do.	1	about 4a. 2r.		
Baker's Swamp	Gordon ...	1	2 0 0		
Bank's Meadow	Cumberland	1	about 5 acres		
Baradine	Baradine	1	7 2 0		
Do.	do.	1	2 0 0		
Do.	do.	1	1 2 0		
Do.	do.	1	1 2 0		
Camden Haven	Macquarie	1	2 0 0		
Cedar Creek	Northumberland	1	3 1 2		
Cooba Creek	Clarendon	1	2 0 1		
Cungegong	Harden ...	1	1 2 0		
Gundagai N.	Clarendon	1	8 0 0		
Hillston N.	Nicholson	1	2 0 19		
Do.	do.	1	1 2 0		
Ironbong	Clarendon	1	1 2 0		
Do.	do.	1	2 0 0		

STATISTICS—1878.

317

No. 171 (continued)—RETURN of LANDS set apart for PUBLIC PURPOSES in the Year 1878—continued.

Place.	County.	No. of Grants under 100 acres.		No. of Grants over 100 acres.	
		No.	Area.	No.	Area.
Lake Albert...	Wynyard	I	a. r. p.		acres
Majura ...	Murray ...	I	2 0 0		
Minosa Dell...	Westmoreland ...	I	2 0 0		
Paling Yards ...	Roxburgh ...	I	2 0 0		
Rainbow Creek ...	Durham ...	I	2 0 0		
Juggeranong ...	Murray ...	I	2 0 0		
Juri ...	Parry ...	I	2 0 0		
Wallace ...	Clarendon ...	I	1 2 0		
Wallendbeen ...	Harden ...	I	2 0 0		
Adelong Grove ...	Wynyard ...	I	2 0 0		
Bowning ...	Harden ...	I	1 2 0		
Cambewarra ...	Camden ...	I	1 2 0		
Casino ...	Rous ...	I	1 2 0		
Dungog ...	Durham ...	I	10 0 0		
Elizabethfield ...	Murray ...	I	2 0 0		
Eurundury ...	Phillip ...	I	2 0 0		
Goolma ...	Bligh ...	I	2 0 0		
Goulburn ...	Goulburn ...	I	18 2 21		
Green Gully ...	Argyle ...	I	2 0 0		
Gunnedah ...	Pottinger ...	I	0 1 28		
Jellat Jellat...	Auckland ...	I	4 0 2		
Junea ...	Clarendon ...	I	1 2 0		
Kyuga ...	Brisbane ...	I	1 2 0		
Laggan ...	Georgiana ...	I	2 0 0		
Markdale ...	do. ...	I	2 0 0		
Moama ...	Cadell ...	I	1 2 0		
Moree ...	Courallie ...	I	1 0 0		
Do. ...	do. ...	I	0 2 0		
Mount Victoria ...	Cook ...	I	1 2 0		
Numby ...	King ...	I	1 2 39		
Peelwood ...	Georgiana ...	I	2 0 0		
Powers Corner ...	Wellesley ...	I	2 0 0		
Salisbury ...	Durham ...	I	2 0 0		
Stony Creek ...	Auckland ...	I	2 0 0		
Toll-bar Creek ...	Beresford ...	I	2 0 0		
Casino ...	Richmond ...	I	10 0 0		
Cooma ...	Beresford ...	I	5 0 0		
South Deniliquin ...	Townsend ...	I	about 5 acres		
Tumut ...	Wynyard ...	I	2 2 0		
Wellington ...	Wellington ...	I	10 0 0		
Billabong Creek ...	Ashburnham ...	I	1 2 0		
Bolderogery ...	Gordon ...	I	2 0 0		
Bowan ...	Ashburnham ...	I	2 0 0		
Brewarrina ...	Clyde ...	I	2 1 25		
Do. ...	do. ...	I	1 2 0		
Brungle ...	Buccleuch ...	I	1 2 0		
Do. ...	do. ...	I	1 2 0		
Bulla ...	Monteagle ...	I	7 2 0		
Do. ...	do. ...	I	1 2 0		
Bullock Island ...	Northumberland ...	I	0 1 22½		
Buraga ...	Hume ...	I	7 2 0		
Burrawang ...	Camden... ..	I	1 0 0		
Charlestown...	Northumberland ...	I	2 0 0		
Cobbarah ...	Lincoln ...	I	2 0 0		
Coorumbung ...	Northumberland ...	I	7 2 0		
Caraki ...	Richmond ...	I	1 2 0		
Cudal ...	Ashburnham ...	I	1 0 0		
Frogmoor ...	King ...	I	4 0 0		
Gara Creek ...	Ashburnham ...	I	1 2 0		
Gulgong ...	Phillip ...	I	10 0 0		
Gunning ...	King ...	I	1 2 0		
Harvey's Flat ...	Westmoreland ...	I	2 0 0		
Jordon's Crossing ...	Camden... ..	I	1 0 0		
Kangaroo Flat ...	Buckland ...	I	2 0 0		
Macquarie Plain ...	Roxburgh ...	I	1 2 0		
Manilla ...	Darling ...	I	2 0 0		
Millong ...	Bland ...	I	2 0 0		
Mongarlowe... ..	St. Vincent ...	I	1 0 0		
Moulamein ...	Wahool... ..	I		I	231
North Haskisson ...	St. Vincent ...	I	2 0 0		
Orange ...	Bathurst ...	I	5 0 0		
Panbula ...	Auckland ...	I	0 2 0		
Parramatta ...	Cumberland ...	I	72 0 0		
Peel ...	Roxburgh ...	I	7 2 0		
Point Danger ...	Rous ...	I	2 0 0		
Quindi ...	Buckland ...	I	7 2 0		
Robertson ...	Camden... ..	I	0 2 0		
Seymour ...	Wallace... ..	I	2 0 0		
South Deniliquin ...	Townsend ...	I		I	160
South Hay ...	Waradgery ...	I	0 1 39½		
Taree ...	Macquarie ...	I		I	241½
Wagara ...	Buccleuch ...	I	1 2 0		
Yanko Creek ...	Urana ...	I	2 0 0		
Yaragundry ...	Mitchell ...	I	1 2 0		
Yalleyallah ...	St. Vincent ...	I	1 0 0		
Total ...		166	538 2 10½	4	1,272½

LANDS ALIENATED AND UNALIENATED.

No. 172.—RETURN showing the areas ALIENATED and UNALIENATED in each of the following Counties, which comprise the Old Settled Districts of New South Wales, now First Class Settled Districts, on the 31st December, 1878.

Counties (which comprise the Old Settled Districts of New South Wales).	Area Alienated.	Area Unalienated.
	Acres.	Acres.
Argyle	417,398	832,082
Bathurst	498,499	691,901
Bligh	256,426	819,784
Brisbane	441,695	326,597
Camden	429,825	973,108
Cook	158,704	906,896
Cumberland	496,436	418,443
Durham	875,751	479,129
Georgiana	426,715	805,285
Gloucester	738,316	637,064
Hunter	83,527	1,232,413
King	160,457	979,383
Macquarie	174,540	1,233,460
Murray	399,574	1,039,146
Northumberland	479,908	1,018,982
Phillip	129,771	995,749
Roxburgh	191,411	783,349
St. Vincent	347,358	1,385,502
Wellington	229,755	850,076
Westmoreland	107,741	912,139
Total	7,043,807	17,230,488

NOTE.—Exclusive of Lands Conditionally Purchased.

No. 173.—RETURN showing the areas ALIENATED and UNALIENATED in each County in the remaining portion of New South Wales, on 31st December, 1878.

Counties.	Area Alienated.	Area Unalienated.	Counties.	Area Alienated.	Area Unalienated.
	Acres.	Acres.		Acres.	Acres.
Arrawatta	61,870	1,170,130	Hume	259,737	684,263
Ashburnham	46,258	1,345,742	Inglis	35,906	524,074
Auckland	64,636	1,196,164	Jamieson	52,820	922,980
Baradine	5,192	1,322,813	Kennedy	3,146	953,654
Benarba	17,004	1,582,996	Landsborough	40	1,214,360
Beresford	43,987	868,013	Leichhardt	28,407	1,951,593
Bland	77,274	1,282,726	Lincoln	36,809	1,169,531
Blaxland	1,837	2,622,931	Livingstone	1,471	2,388,529
Boyd	426,203	453,827	Manara	150	2,611,498
Buckland	368,280	687,630	Menindie	1,396	1,494,188
Buccleuch	26,405	720,213	Mitchell	106,402	685,268
Bourke	63,518	1,114,082	Monteagle	35,658	821,312
Buller	5,416	890,583	Mossgiel	7,593	2,734,663
Burnett	96,315	927,685	Murchison	43,875	1,172,235
Cadell	165,979	309,491	Nandewar	74,065	704,467
Caira	210,352	1,293,648	Napier	54,564	838,236
Clarke	4,517	433,883	Narran	1,374	2,327,394
Clarence	38,954	836,646	Narromine	11,107	1,952,593
Clarendon	139,236	798,164	Nicholson	101,043	1,234,957
Clive	15,684	640,316	Oxley	16,306	1,183,850
Courallie	130,224	1,160,676	Parry	361,852	509,511
Cooper	316,526	1,422,994	Perry	2,060	1,896,308
Cowley	16,939	783,061	Pottinger	342,055	1,193,943
Cowper	1,228	2,398,772	Raleigh	372	1,194,723
Clyde	4,084	1,895,932	Ranken	520	1,656,920
Culgoa	40	1,550,040	Richmond	30,033	703,917
Cunningham	69,888	851,712	Rous	80,066	1,097,534
Dampier	23,950	990,110	Robinson	9	2,005,028
Darling	49,101	878,299	Sandon	144,696	694,114
Denham	11,312	1,285,294	Selwyn	23,368	1,088,636
Denison	247,186	479,214	Stapylton	82,501	1,288,001
Dowling	19,198	1,120,642	Sturt	483,740	517,777
Drake	49,177	702,818	Taila	440	1,423,572
Dudley	16,107	960,893	Tara	10,317	1,224,883
Ewenmar	30,584	1,150,216	Townsend	941,896	1,608,204
Ewenna	1,184,000	Urana	833,007	726,735
Finch	7,095	2,629,065	Vernon	71,613	706,387
Fitzroy	9,069	718,631	Wallace	39,257	1,300,142
Forbes	23,544	6,354,440	Waljeers	67,692	1,641,620
Flinders	2,000,000	Wakool	576,768	1,199,832
Franklin	51,134	554,434	Waradgery	352,421	1,262,379
Gipps	122,989	1,299,091	Wellesley	99,498	816,996
Gough	108,174	925,433	Wentworth	10,153	2,101,447
Goulburn	117,887	682,222	White	5,246	1,178,354
Gordon	26,163	709,737	Windeyer	10,396	2,716,004
Gowen	34,571	973,429	Werunda	60	1,531,844
Gregory	41,527	158,573	Wynyard	67,156	66,842
Gresham	5,530	876,170	Yanda	252	2,101,725
Gundabooka	101	1,469,139	Young	1,387	1,747,989
Harden	96,772	1,008,175			
Hardinge	32,972	911,028			
Hawes	25,880	909,800			
			Total	9,078,619	125,362,735

NOTE.—Exclusive of Lands Conditionally purchased.

REVENUE FROM LANDS AND GOLD FIELDS.

No. 174.—RETURN showing the REVENUE from LANDS AND GOLD FIELDS in the Colony of New South Wales for the Year ended 31st December, 1878, under the Lands Alienation Act of 1861.

Description.	No. of Lots.	Area Sold.			Average price per acre.			Total Amount of Sales.			Amount received.			Balance remaining unpaid.		
		a.	r.	p.	£	s.	d.	£	s.	d.	£	s.	d.	£	s.	d.
Sold at Auction	Town ...	1,341	698	0 19½	16	1	1¼	11,208	12	2	} 817,464 3 0	} 269,157 8 3				
	Suburban ...	251	1,240	2 25	3	3	3½	3,926	13	6						
	Country ...	4,564	861,049	1 11	1	4	10½	1,071,486	5	7						
Unconditionally sold by selection	893	122,811	2 25	1	0	2½	124,197	7	1	124,197	7	1				
Improved lots sold to owners of improvements ...	1,268	224,840	3 30¾	1	0	5	229,656	7	6	229,656	7	6				
Reclaimed lands sold at appraised price	6	1	1 14½	203	5	3	272	10	0	272	10	0				
Proceeds of sales of unnecessary roads	18	50	2 0	5	1	4	256	7	3	256	7	3				
Sold conditionally	12,602	1,588,247	3 18	1	0	0	1,588,247	17	3	398,728	11	1	1,189,519	6	2	
Provisional pre-emptive rights	...	4,063	3 0	1	0	3	4,107	15	0	4,107	15	0				
GENERAL TOTAL	20,943	2,803,004	0 23¾	3,933,359	15	4	1,574,683	0	11	1,458,676	14	5	
Balances received on Conditional Purchases	70,835	5	5				
Interest	160,581	1	1				
TOTAL AMOUNT RECEIVED										£ 1,806,099 7 5						

UNDER THE "CROWN LANDS OCCUPATION ACT OF 1861."

Number.		Estimated area.	Rent and Assessment received.
		Square miles.	£ s. d.
4,321	Pastoral Leases in Second Class Districts	211,737	168,327 0 0
16,484	Annual Leases	20,208	43,125 12 11
20,805	TOTAL	231,945	211,452 12 11

UNDER THE GOLD FIELDS ACT.

	£	s.	d.
Duty on Gold in the nature of rent	6,898	14	9
Leases for Mining purposes other than Gold	5,137	11	4
Auriferous Leases	2,725	5	0
Miners' Rights	2,992	0	0
Business Licenses	464	15	0
Mineral Licenses	302	10	0
Fees for Escort and conveyance of Gold, &c.	1,465	1	2
TOTAL	£ 19,985	17	3

MISCELLANEOUS.

	£	s.	d.
*Forfeited Deposits	2,448	3	11
Licenses to cut Timber	5,155	16	6
Quit Rents	141	5	10
Fees on Transfers	1,189	0	0
Fees on Deeds	9,663	14	0
Sundry Collections	6,002	17	11
TOTAL	£ 24,600	18	2

* Including £1,352 14s. 11d. on Sales under Provisional Pre-emptive Rights.

RECAPITULATION.

	£	s.	d.
Total Receipts ...	1,806,099	7	5
Under Lands Alienation Act	211,452	12	11
" Occupation Act	19,985	17	3
" Gold Fields Act	24,600	18	2
Miscellaneous...			
Revenue received in 1878	£ 2,062,138	15	9
Balances payable in 1879 for Auction Sales	269,157	8	3
" 1881 for Conditional Purchases	1,189,519	6	2
GENERAL TOTAL	£ 3,520,815	10	2

LEASED LANDS.

No. 175.—DECENNIAL RETURN of LANDS LEASED for Pastoral Purposes.

Year.	Fourteen Years' Leases.		Five Years' Leases.		Annual Leases.		Total Area of Land Leased.	Annual Rent Payable on			Total Annual Rent Payable.								
	No. of Leases.	Area Leased.	No. of Leases.	Area Leased.	No. of Leases.	Area Leased.		Fourteen Years' Leases.	Five Years' Leases.	Annual Leases.									
		Square miles.		Square miles.		Square miles.	Square miles.	£	s.	d.	£	s.	d.	£	s.	d.	£	s.	d.
1869	370	15,797	3,275	177,952	11,212	11,212	204,961	13,279	9	0	214,102	9	0	22,424	12	1	249,806	10	1
1870	237	10,118	3,295	179,038	11,197	11,197	200,353	7,021	10	6	212,091	13	1	22,394	19	1	241,508	2	8
1871	153	8,991	3,325	195,398	11,879	11,879	216,268	5,144	6	2	175,669	14	7	23,758	11	5	204,572	12	2
1872	18	1,057	3,886	228,365	13,554	13,554	242,976	568	0	0	174,823	19	9	27,108	0	6	202,500	0	3
1873	4,070	239,178	14,260	14,648	253,826	176,542	10	3	30,516	15	0	207,059	5	3
1874	4,240	270,321	15,406	15,784	286,105	186,820	8	8	33,020	5	0	219,840	13	8
1875	4,219	215,643	16,520	17,076	232,719	182,486	11	11	35,787	9	4	218,274	1	3
1876	4,235	216,174	18,394*	21,316½	237,490½	171,157	6	2	44,229	5	8	215,386	11	10
1877	4,279	218,314	18,307†	22,946	241,260	176,356	0	0	47,762	12	11	224,118	12	11
1878	4,321	211,737	16,484‡	20,208½	231,945½	168,327	0	0	43,125	12	11	211,452	12	11

* Auction Leases, 3,620; area, 4,980½ square miles; annual rent, £10,909 ros. Pre-emptive Leases, 14,774; area, 16,336 square miles; annual rent, £33,319 15 8
† " 3,290 " 4,035 " " 8,471 12 1 " 15,017 " 18,810 " " 39,291 0 10
‡ " 3,675 " 4,199 " " 9,382 17 3 " 12,809 " 16,009½ " " 33,742 15 8

1878.

NEW SOUTH WALES.

VITAL STATISTICS.

TWENTY-SECOND ANNUAL REPORT

FROM

THE REGISTRAR GENERAL, ON VITAL STATISTICS.

Presented to Parliament by Command.



SYDNEY: THOMAS RICHARDS, GOVERNMENT PRINTER.

1878.

1878.

VITAL STATISTICS.

THE REGISTRAR GENERAL TO THE HONORABLE THE COLONIAL SECRETARY,

TRANSMITTING ABSTRACTS OF

MARRIAGES, BIRTHS, AND DEATHS,

FOR THE YEAR 1877.

WITH PREFATORY REPORT.

Registrar General's Department,
Sydney, 1 May, 1878.

Sir,

I have the honor to submit the Statistical Tables relating to Marriages, Births, and Deaths, for the year 1877.

The estimated population of the Colony on the 31st December, 1877, was 662,212 persons, which makes an addition during the year of 32,436 persons, or 5.15 per cent. The estimated number of the sexes was as follows:—Males, 367,323, females, 294,889, so that the former were 72,434 in excess of the latter. The percentage of males to total population was 55.47, and of females 44.53, showing a difference of 10.94 in favour of males, which figures are 0.46 higher than those for the previous year. The proportion of males per 1,000 of population was 555, and of females 445. The following figures show the increase for each half year:—

Half-year ending 30th June, 1877.

Births	11,457	Deaths	5,502
Arrivals by sea	18,255	Departures by sea	10,574
Total.....	29,712	Total.....	16,076

showing a net increase of 13,636 persons, and bringing the estimated population to 643,412 persons.

Half-year ending 31st December, 1877.

Births	12,394	Deaths	4,367
Arrivals by sea	20,373	Departures by sea	9,600
Total.....	32,767	Total.....	13,967

showing a net increase of 18,800 persons, and making our estimated population to number 662,212 persons

The

Marriages,
births, deaths.

The registers show that during the year 1877 there were 4,994 marriages celebrated, being an increase of 364 on the previous year. The number of births registered was 23,851, as against 23,298 in the year preceding, giving an addition of 553 births to the year under consideration. Registered deaths numbered 9,869, which are fewer by 1,324 than those for the previous year.

(A.)

TABLE showing the number of MARRIAGES, BIRTHS, and DEATHS, registered in the Colony of New South Wales, during each Quarter of the Year 1877.

Quarter ended—	Marriages.	Births.			Deaths.		
		Males.	Females.	Total.	Males.	Females.	Total.
Sydney—							
31st March	339	417	401	818	272	253	525
30th June	344	384	412	796	286	233	519
30th September	350	475	421	896	223	196	419
31st December	310	456	433	889	313	224	537
TOTAL.....	1,343	1,732	1,667	3,399	1,094	906	2,000
Suburbs—							
31st March	114	376	343	719	167	164	331
30th June	157	443	378	821	191	184	375
30th September	125	411	457	868	131	127	258
31st December	160	432	406	838	186	171	357
TOTAL.....	556	1,662	1,584	3,246	675	646	1,321
Country Districts—							
31st March	791	2,106	1,977	4,083	1,271	716	1,987
30th June	773	2,156	2,064	4,220	1,062	703	1,765
30th September	777	2,453	2,204	4,657	920	530	1,450
31st December	754	2,183	2,003	4,246	855	491	1,346
TOTAL.....	3,095	8,898	8,308	17,206	4,108	2,440	6,548
New South Wales—							
31st March	1,244	2,899	2,721	5,620	1,710	1,133	2,843
30th June	1,274	2,983	2,854	5,837	1,539	1,120	2,659
30th September	1,252	3,339	3,082	6,421	1,274	853	2,127
31st December	1,224	3,071	2,902	5,973	1,354	886	2,240
TOTAL.....	4,994	12,292	11,559	23,851	5,877	3,992	9,869

Marriages.

From the number of Marriages celebrated during the year 1877, we find that the rate per 1,000 of estimated population was 7.76, which figures show that the average for the previous nine years has been a little more than fully sustained. Marriages celebrated in the City numbered 1,343, which gives a rate of 13.81 to estimated population. The number of Suburban marriages was 556, which amount to 7.21 per 1,000; and 3,095 was the number for the Country Districts, making 6.58 per 1,000. The City rate is 1.18 lower than the average of the previous nine years; that for the Suburbs is higher by 2.19 than the previous nine years' average, and also higher by 0.95 than any single year of the same period. The Country Districts show a rate of 1.08 in excess of the average of the previous nine years. Of the total number of marriages we find that the Church of England celebrated 37.42 per cent.; Roman Catholic, 19.82; Presbyterian, 17.10; Wesleyan, 10.19; Primitive Methodist, 2.20; Congregational, 4.86; Baptist, 1.40; and Registrars, 6.07.

(B.)

Denomination.	1868.	1869.	1870.	1871.	1872.	1873.	1874.	1875.	1876.	1877.
Church of England	1,024	1,018	1,159	1,232	1,381	1,547	1,572	1,618	1,759	1,869
Roman Catholic	912	901	908	885	836	992	837	953	921	990
Presbyterian	698	663	548	648	827	914	886	906	761	854
Wesleyan	333	313	363	364	397	462	518	502	487	509
Primitive Methodists	51	58	70	60	73	60	60	93	101	110
Congregationalist	96	106	82	99	148	164	180	186	232	243
Baptist	21	25	37	30	51	44	52	46	39	70
Christian Israelite
Unitarian	2	4	3	4	3	3	1	1
Hebrew	13	13	4	10	6	10	10	11	14	20
Protestant Episcopal	2	5	16	16	3
Free Church of England	350	446	451	395
German Evangelical	2	2	7	4	9	7	14	17	19	20
Christians	1	6	1	3	3	4	4	3
Free Gospel Church	1
Free Christian Church	2	2
Registrars' Offices	233	243	215	219	191	179	208	250	275	303
TOTAL.....	3,736	3,799	3,848	3,953	3,925	4,384	4,343	4,605	4,630	4,994

MARRIAGE

MARRIAGE TABLE of Increase or Decrease.

Denomination.	1876.	1877.	1876. Per cent.	1877. Per cent.	Increase. Per cent.	Decrease. Per cent.
Church of England	1,759	1,869	37.97	37.42	0.55
Roman Catholic	921	990	19.89	19.83	0.06
Presbyterian	761	854	16.44	17.10	0.66
Wesleyan	487	509	10.52	10.19	0.33
Congregational	232	243	5.01	4.87	0.14
Primitive Methodist	101	110	2.18	2.20	0.02
Baptist	39	70	0.84	1.40	0.56
Hebrew	14	20	0.30	0.40	0.10
Protestant Episcopal	16	3	0.36	0.06	0.30
German Evangelical	19	20	0.41	0.40	0.01
Christians	6	3	0.13	0.06	0.07
Registrars' Offices	275	303	5.95	6.07	0.12
	4,630	4,994	100.00	100.00	1.46	1.46

Referring now to the condition of those who entered into the married state during the year 1877, we see that out of the total number of persons married (9,988) there were 4,484 bachelors, 4,435 spinsters, 509 widowers, and 556 widows. 1 divorced man and 3 divorced women again entered into the state of matrimony.

TABLE of Bachelors, Spinsters, &c.

	No. of Marriages.	Bachelors.	Spinsters.	Widowers.	Widows.	Divorced Man.	Divorced Women.
Sydney	1,343	1,183	1,177	159	165	1	1
Suburbs	556	463	482	93	74
Country Districts	3,095	2,838	2,776	257	317	2
TOTAL	4,994	4,484	4,435	509	556	1	3

The number of those who were married under the age of 21 years during the year 1877 was 1,682, or 16.84 per cent. of the total number married. From the total number of minors married we find that males numbered 170 or 10.11 per cent., and females 1,512, or 89.89 per cent. From the total number of persons married in Sydney, it will be found that 10.68 per cent. were minors; the Suburbs and Country Districts showing 12.86 and 20.22 respectively.

TABLE of Minors.

	No. of Marriages.	Minors.		
		Male.	Female.	Total
Sydney	1,343	30	257	287
Suburbs	556	23	120	143
Country Districts	3,095	117	1,135	1,252
TOTAL	4,994	170	1,512	1,682

MINORS and Marks.

	Males.	Females.	Total.
Sydney	1	12	13
Suburbs	3	3
Country Districts	11	137	148
TOTAL	12	152	164

Looking

Looking now to the number of those who were unable to affix their signatures to the marriage registers, we find that from the total number of persons married (9,988), there were 422 males and 553 females, in all 975. In my Report for the year 1876, I showed that this class of persons were 2 per cent. less than those for 1875, and now I have to report a further reduction of 0·71 per cent. on the percentage of 1876. Out of the 975 persons who were compelled to signify their assent by marks, we find that 164 or 16·82 per cent. were minors, who were distributed as follows:—Sydney, 13; Suburbs, 3; Country Districts, 148.

	No. of Marriages.	Full Signatures.			Marks.			Marks per cent.
		Males.	Females.	Total.	Males.	Females.	Total.	
Sydney	1,343	1,266	1,197	2,463	77	146	223	8·30
Suburbs	556	527	520	1,047	29	36	65	5·85
Country Districts	3,095	2,779	2,724	5,503	316	371	687	11·10
Totals.....	4,994	4,572	4,441	9,013	422	553	975	9·76

(C.)

TABLE showing the number of MARRIAGES registered in the Colony of New South Wales during each Quarter of the Years 1868 to 1877.

	Estimated Population at the middle of the Year.	31 March.	30 June.	30 Sept.	31 Dec.	Total.	Ratio per 1,000 living.*	
Sydney	1868	71,310	304	321	281	286	1,192	16·71
	1869	74,310	332	330	299	314	1,275	17·15
	1870	77,131	297	313	323	302	1,235	16·01
	1871	79,540	320	325	316	255	1,216	15·28
	1872	79,745	305	256	264	230	1,055	13·23
	1873	83,000	316	346	299	297	1,258	15·15
	1874	86,213	277	339	306	302	1,224	14·19
	1875	89,796	324	324	297	287	1,232	13·72
	1876	93,269	321	349	296	298	1,264	13·55
	1877	97,235	339	344	350	310	1,343	13·81
		3,135	3,247	3,031	2,881	12,294		
Suburbs	1868	49,313	68	72	61	52	253	5·13
	1869	51,387	91	52	64	74	281	5·46
	1870	53,338	72	59	60	52	243	4·55
	1871	55,004	46	47	60	61	214	3·88
	1872	63,160	73	71	65	77	286	4·52
	1873	65,738	90	65	69	92	316	4·80
	1874	68,281	80	81	77	75	313	4·58
	1875	71,119	102	114	101	109	426	5·99
	1876	73,872	113	101	117	132	463	6·26
	1877	77,014	114	157	125	160	556	7·21
		849	819	799	884	3,351		
Country Districts	1868	335,749	582	544	602	563	2,291	6·82
	1869	349,877	574	546	572	551	2,243	6·41
	1870	303,162	646	539	576	609	2,370	6·52
	1871	374,504	657	661	630	575	2,523	6·73
	1872	384,777	679	648	613	644	2,584	6·71
	1873	400,479	729	710	685	686	2,810	7·01
	1874	415,976	689	729	707	681	2,806	6·74
	1875	433,264	786	731	740	690	2,947	6·80
	1876	450,025	832	713	687	671	2,903	6·45
	1877	469,163	791	773	777	754	3,095	6·58
		6,965	6,594	6,589	6,424	26,572		
New South Wales	1868	456,372	954	937	944	901	3,736	8·18
	1869	475,574	997	928	935	939	3,799	7·98
	1870	493,631	1,015	911	959	963	3,848	7·79
	1871	509,048	1,023	1,033	1,006	891	3,953	7·76
	1872	527,682	1,057	975	942	951	3,925	7·44
	1873	549,217	1,135	1,121	1,053	1,075	4,384	7·98
	1874	570,470	1,046	1,149	1,090	1,058	4,343	7·61
	1875	594,179	1,212	1,169	1,138	1,086	4,605	7·75
	1876	617,166	1,266	1,163	1,100	1,101	4,630	7·51
	1877	643,412	1,244	1,274	1,252	1,224	4,994	7·76
		10,949	10,660	10,419	10,189	42,217		

* The numbers in this column doubled give the persons married in every 1,000 of the population.

BIRTHS.

BIRTHS.

During the year 1877 we find that the total number of Births registered in the Colony was 23,851, viz., 12,292 males and 11,559 females, or 51·54 and 48·46 per cent. respectively. There were then 733 more male than female children. In the previous year the excess of male over female children was 1·22 per cent. ; for the year under consideration it is 3·08 per cent. Of the total number of births 14·25 per cent. occurred in the City, 13·61 per cent. in the Suburbs, and 72·14 per cent. in the Country Districts. The birth rate of the Colony per 1,000 of estimated population for the year 1877 was 37·05, which is 0·70 lower than the previous year, and 2·16 below the average of the previous nine years. On referring to the decennial tables it will be seen that, with the exception of the year 1873, the birth rate of the Colony has been gradually on the decrease year by year. The City shows a birth rate of 34·95, which is lower by 0·53 than the preceding year, and 1·69 under the average of the nine previous years. In the Suburbs the birth rate for the year was 42·15, which is 0·76 higher than the previous year, but 1·61 lower than the nine previous years' average. The Country Districts show a birth rate of 36·67. Here again we find a decrease of 0·95 on the previous year, and 2·29 on the average of the previous nine years.

(D.)

TABLE showing the number of BIRTHS registered in the Colony of New South Wales during each Quarter of the Years 1868 to 1877.

		Estimated Population at the middle of the year.	31 March.	30 June.	30 Sept.	31 Dec.	Total.	Ratio per 1,000 living.
Sydney	1868	71,310	650	680	678	585	2,593	36·36
	1869	74,310	637	762	782	664	2,845	38·28
	1870	77,131	685	757	773	694	2,909	37·71
	1871	79,540	724	752	802	702	2,980	37·48
	1872	79,745	700	729	727	723	2,879	36·09
	1873	83,000	760	755	826	724	3,065	36·92
	1874	86,213	762	775	824	760	3,121	36·20
	1875	89,796	748	858	797	759	3,162	35·21
	1876	93,269	838	865	873	734	3,310	35·48
	1877	97,235	818	796	896	889	3,399	34·95
			7,322	7,729	7,978	7,234	30,263	
Suburbs	1868	49,313	532	557	631	557	2,277	46·17
	1869	51,387	581	679	615	644	2,519	49·02
	1870	53,338	596	679	654	617	2,546	47·73
	1871	55,004	632	652	666	651	2,601	47·28
	1872	63,160	580	612	659	585	2,436	38·56
	1873	65,738	696	700	710	657	2,763	42·03
	1874	68,281	637	713	729	708	2,787	40·80
	1875	71,119	685	740	785	698	2,908	40·89
	1876	73,872	721	772	832	733	3,058	41·39
	1877	77,014	719	821	868	838	3,246	42·15
			6,379	6,925	7,149	6,688	27,141	
Country Districts	1868	335,749	3,364	3,399	3,594	3,258	13,615	40·55
	1869	349,877	3,298	3,430	3,679	3,472	13,879	39·66
	1870	363,162	3,234	3,493	3,892	3,574	14,193	39·08
	1871	374,504	3,521	3,537	3,903	3,601	14,562	38·88
	1872	384,777	3,687	3,624	3,941	3,683	14,935	38·81
	1873	400,479	3,755	3,509	4,202	4,150	15,616	38·99
	1874	415,976	3,824	3,903	4,331	4,212	16,270	39·11
	1875	433,264	3,893	4,113	4,282	4,170	16,458	37·98
	1876	450,025	4,091	4,048	4,505	4,286	16,930	37·62
	1877	469,163	4,083	4,220	4,657	4,246	17,206	36·67
			36,750	37,276	40,986	38,652	153,664	
New South Wales	1868	456,372	4,546	4,636	4,903	4,400	18,485	40·50
	1869	475,574	4,516	4,871	5,076	4,780	19,243	40·46
	1870	493,631	4,515	4,929	5,319	4,885	19,648	39·80
	1871	509,048	4,877	4,941	5,371	4,954	20,143	39·57
	1872	527,682	4,967	4,965	5,327	4,991	20,250	38·37
	1873	549,217	5,211	4,964	5,738	5,531	21,444	39·04
	1874	570,470	5,223	5,391	5,884	5,680	22,178	38·87
	1875	594,179	5,326	5,711	5,864	5,627	22,528	37·92
	1876	617,166	5,650	5,685	6,210	5,753	23,298	37·75
	1877	643,412	5,620	5,837	6,421	5,973	23,851	37·05
			50,451	55,930	56,113	52,574	211,068	

From

From the Table following we learn that the number of children born in the Colony out of wedlock during the year 1877 was 989, or 4.14 per cent. of the total number of births. This proportion is slightly in excess of that for the previous year. The illegitimate birth rate of the Colony was 1.53. For Sydney it amounted to 3.13, for the Suburbs 0.98, and for the Country Districts 1.29. The high rate for the City can to some extent be accounted for by the large number of these births registered from the Benevolent Asylum, which institution no doubt accommodates many cases from all parts of the Colony :—

(E.)

TABLE showing the number of CHILDREN born out of WEDLOCK in the Colony of New South Wales, from 1st January, 1868 to 31st December, 1877.

Year.	Sydney.			Suburban.			Country Districts.			Total.		
	Males.	Females.	Total.	Males.	Females.	Total.	Males.	Females.	Total.	Males.	Females.	Total.
1868 ...	67	82	149	30	28	58	253	239	492	350	349	699
1869 ...	106	78	184	29	28	57	274	228	502	409	334	743
1870 ...	90	95	185	52	38	90	250	230	480	392	363	755
1871 ...	105	101	206	30	31	61	259	256	515	394	388	782
1872 ...	94	88	182	34	32	66	287	281	568	415	401	816
1873 ...	98	101	199	42	44	86	293	311	604	433	456	889
1874 ...	117	124	241	40	48	88	305	301	606	462	473	935
1875 ...	132	128	260	41	44	85	321	281	602	494	453	947
1876 ...	170	136	306	43	45	88	309	247	556	522	428	950
1877 ...	161	144	305	34	43	77	315	292	607	510	479	989
	1,140	1,077	2,217	375	381	756	2,866	2,666	5,532	4,381	4,124	8,505

I now come to the decennial table showing the number of triplets and twins born in the Colony, from which we see that during the year 1877 no case of triplets is recorded. There were 209 cases of twins, consisting of 222 male and 193 female children; in all 415, or 1.74 per cent. of the total number of children born. One case of quadruplicate birth occurred, consisting of 2 male and 2 female children.

(F.)

TABLE showing the number of TRIPLETS and TWINS born in the Colony of New South Wales, from 1st January, 1868, to 31st December, 1877.

Year.	Triplets.				Twins.			
	No. of Cases.	Males.	Females.	Total.	No. of Cases.	Males.	Females.	Total.
1868	3	7	2	9	162	174	150	324
1869	4	6	6	12	165	161	169	336
1870	2	1	5	6	188	189	187	376
1871	1	2	1	3	194	198	190	388
1872	5	7	8	15	179	173	183	356†
1873	1	3	3	189	204	173	377*
1874	4	9	3	12	177	182	171	353*
1875	1	3	3	200	180	219	399*
1876	1	1	1	2*	195	188	193	381†
1877	209	222	193	415§
	22	33	32	65	1,858	1,871	1,828	3,699

* One still-born.

† Two still-born.

‡ Nine still-born.

§ Three still-born.

DEATHS.

From the death registers for the year 1877, we learn that the rate of mortality was considerably lower than for the two preceding years. The number of deaths registered in the Colony was 9,869, as against 11,193 in the previous year. The percentage of male deaths to total deaths is 59.55, and of female deaths 40.45; the former being 19.10 per cent. higher than the latter. The death rate for the Colony per 1,000 is 15.34, which is 2.79 lower than the previous year; but 0.32 over the average of the nine years preceding. The average of daily rate of mortality is about 27. The rate for Sydney, for the year 1877, was 20.57, which is under the figures for the previous year by 6.13, and also for the average of the previous nine years by 2.42. The average daily rate for the City was 5.48. The Suburbs show a death rate of 17.15, and here we find a difference of 5.66 in favour of the year under consideration, as compared with the previous year, and 0.82 lower than the nine years' previous average. For the Country Districts the death rate was 13.95, which is lower by 1.64 than the previous year, but 1.06 higher than the average rate of the previous nine years. The consideration of these figures indicates that the past year has been an unusually healthy one, and that the greatest improvement is to be noticed in the City of Sydney.

(G.)

9

(G.)

TABLE showing the number of DEATHS registered in the Colony of New South Wales, during each Quarter of the Years 1868 to 1877.

	Estimated population at the middle of each year.	31 March.	30 June.	30 Sept.	31 Dec.	Total.	Ratio per 1,000 living.	
Sydney	1868	71,310	413	410	349	427	1,599	22'42
	1869	74,310	371	354	377	409	1,511	20'33
	1870	77,131	386	355	337	414	1,492	19'34
	1871	79,540	332	362	439	450	1,583	19'90
	1872	79,745	477	398	438	497	1,810	22'69
	1873	83,000	468	430	408	494	1,800	21'68
	1874	86,213	460	401	492	724	2,077	24'09
	1875	89,796	900	560	562	651	2,673	29'76
	1876	93,269	758	699	565	469	2,491	26'70
	1877	97,235	525	519	419	537	2,000	20'57
		5,090	4,488	4,386	5,072	19,036		
Suburbs.....	1868	49,313	216	247	215	278	956	19'59
	1869	51,387	240	226	220	245	931	18'11
	1870	53,338	200	193	187	210	790	14'81
	1871	55,004	182	169	247	285	883	16'05
	1872	63,160	244	184	192	295	915	14'48
	1873	65,738	213	248	249	287	997	15'16
	1874	68,281	298	291	262	348	1,199	17'56
	1875	71,119	533	332	295	487	1,647	23'15
	1876	73,872	516	505	332	332	1,685	22'81
	1877	77,014	331	375	258	357	1,321	17'15
		2,973	2,770	2,457	3,124	11,324		
Country Districts	1868	335,749	1,335	1,273	1,027	1,035	4,670	13'90
	1869	349,877	1,216	1,141	940	952	4,249	12'14
	1870	363,162	1,216	1,122	994	944	4,276	11'77
	1871	374,504	988	949	969	1,035	3,941	10'52
	1872	384,777	1,418	1,134	1,110	1,081	4,743	12'32
	1873	400,479	1,326	1,180	1,169	1,139	4,814	12'02
	1874	415,976	1,350	1,409	1,309	1,308	5,376	12'92
	1875	433,264	1,749	1,879	1,452	1,371	6,451	14'89
	1876	450,025	1,738	1,954	1,739	1,586	7,017	15'59
	1877	469,163	1,987	1,765	1,450	1,346	6,548	13'95
		14,323	13,806	12,159	11,797	52,085		
New South Wales	1868	456,372	1,964	1,930	1,591	1,740	7,225	15'83
	1869	475,574	1,827	1,721	1,537	1,606	6,691	14'06
	1870	493,631	1,802	1,670	1,518	1,568	6,558	13'28
	1871	509,048	1,502	1,480	1,655	1,770	6,407	12'58
	1872	527,682	2,139	1,716	1,740	1,873	7,468	14'15
	1873	549,217	2,007	1,858	1,826	1,920	7,611	13'85
	1874	570,470	2,108	2,101	2,063	2,380	8,652	15'16
	1875	594,179	3,182	2,771	2,309	2,509	10,771	18'12
	1876	617,166	3,012	3,158	2,636	2,387	11,193	18'13
	1877	643,412	2,843	2,659	2,127	2,240	9,869	15'34
		22,386	21,064	19,002	19,993	82,445		

INFANTILE MORTALITY.

The number of deaths of children under 5 years of age, recorded in the Colony during the year 1877, was 4,293, which gives a percentage of 43'49 to total number of deaths. Comparing this with the previous year we see an increase of 1'77 per cent.; and it is also 0'72 per cent. higher than the average of previous nine years. The percentage for Sydney was 40'75, which is lower by 0'35 than the previous year, and as much as 4'13 under the average of the preceding nine years. Infantile mortality for the Suburbs was 54'73, which closely approximates to the percentage of the previous year, and to the average of the previous nine years. In the Country Districts the percentage to total deaths was 42'07, being 3'18 higher than the previous year, and also 2'63 in excess of the previous nine years' average. Thus it will be noticed that during the year 1877 the general health of Sydney was meliorated, and that the death of children under five years of age had greatly decreased.

(H.)
INFANTILE MORTALITY.

Year.	Total Deaths of the Year.	Total Deaths under 5 years.	Percentage of total Deaths under 5 years to Deaths of the year.	Sydney.			Suburbs.			Country Districts.		
				Total Deaths of Year.	Deaths under 5 years.	Percentage of Deaths under 5 years to total Deaths.	Total Deaths of Year.	Deaths under 5 years.	Percentage of Deaths under 5 years to total Deaths.	Total Deaths of Year.	Deaths under 5 years.	Percentage of Deaths under 5 years to total Deaths.
1868	7,225	3,105	42'97	1,599	748	46'77	956	512	53'55	4,670	1,845	39'50
1869	6,691	2,973	44'43	1,511	712	47'12	931	553	59'39	4,249	1,708	40'19
1870	6,558	2,803	42'74	1,492	673	45'10	790	411	52'02	4,276	1,719	40'20
1871	6,407	2,705	42'21	1,583	743	46'93	833	487	55'15	3,941	1,475	37'42
1872	7,468	3,203	42'91	1,810	815	45'02	915	503	54'97	4,743	1,885	39'74
1873	7,611	2,924	38'42	1,800	719	39'94	997	510	51'15	4,814	1,695	35'62
1874	8,652	3,768	43'55	2,077	929	44'72	1,199	672	56'04	5,376	2,167	40'31
1875	10,771	4,958	46'03	2,673	1,264	47'29	1,647	913	55'43	6,451	2,781	43'10
1876	11,193	4,670	41'72	2,491	1,024	41'10	1,685	917	54'42	7,017	2,729	38'89
1877	9,869	4,293	43'49	2,000	815	40'75	1,321	723	54'73	6,548	2,755	42'07
	82,445	35,402		19,035	8,442		11,324	6,201		52,085	20,759	
Mean of 10 years	8,244	3,540		1,903	844		1,132	620		5,208	2,075	

TABLE showing the BIRTHS and DEATHS of Males and Females registered in each Ward of the City of Sydney, from the 1st January to the 31st December, 1877, distinguishing the Deaths under 5 years of age.

Wards	Population, Census, 1871.	Births.			Deaths.						Total Deaths.
		Males.	Females.	Total.	Under 5 years.			Above 5 years.			
					Males.	Females.	Total.	Males.	Females.	Total.	
1. Gipps	8,969	192	214	406	41	51	92	52	35	87	179
2. Bourke	5,257	68	52	120	24	18	42	243	159	402	444†
3. Brisbane	7,269	127	103	230	37	30	67	56	40	96	163
4. Macquarie	7,945	138	146	284	39	31	70	39	35	74	144
5. Cook	14,694	492	466	958	104	93	197	83	97	180	377
6. Fitzroy	12,000	241	212	453	60	37	97	76	80	156	253‡
7. Phillip	8,154	254	238	492	78	57	135	52	42	94	229§
8. Denison	10,135	220	236	456	63	51	114	47	50	97	211
Totals	*74,423	1,732	1,667	3,399	446	368	814	648	538	1,186	2,000

* Exclusive of the Islands in Port Jackson.

† 272 of these deaths occurred in the Sydney Infirmary, and 76 in Hyde Park Asylum.

‡ St. Vincent's Hospital, 27 deaths; Darlinghurst Gaol, 9; and Lunatic Reception House, 3.

§ Benevolent Asylum, 47.

(I.)

(I.)

Ward.	Percentage of—																																							
	Deaths under 5 years to total Deaths in each Ward.										Deaths under 5 years to Births in each Ward.										Total Deaths to Births in each Ward.										Total Deaths to Population in each Ward. (Census 1861 and 1871.)									
	1868.	1869.	1870.	1871.	1872.	1873.	1874.	1875.	1876.	1877.	1868.	1869.	1870.	1871.	1872.	1873.	1874.	1875.	1876.	1877.	1868.	1869.	1870.	1871.	1872.	1873.	1874.	1875.	1876.	1877.	1868.	1869.	1870.	1871.	1872.	1873.	1874.	1875.	1876.	1877.
1. Gipps	57'70	53'75	51'53	57'05	48'48	45'39	52'34	56'13	42'13	51'40	25'79	22'16	19'30	22'82	22'47	20'95	29'71	37'37	23'04	22'66	44'64	41'23	37'46	40'00	46'34	46'17	56'76	66'58	54'68	44'09	2'13	2'21	1'81	1'75	1'84	1'81	2'38	2'82	2'41	2'00
*2. Bourke	17'84	13'62	11'41	13'01	13'53	10'74	9'44	12'50	6'57	9'46	28'69	25'78	26'62	35'07	40'16	36'52	36'21	55'09	25'20	35'00	7'17	5'84	6'28	6'86	6'88	7'43	8'46	9'89	9'26	8'44	
3. Brisbane.....	55'77	55'40	50'72	58'82	47'91	39'86	56'73	49'05	45'15	41'10	34'52	26'79	24'47	27'30	23'09	18'91	41'99	38'01	36'47	29'13	61'90	48'36	48'25	46'41	48'16	47'43	74'02	77'49	80'78	70'87	2'47	2'34	2'18	1'87	1'98	2'03	2'86	2'89	2'83	2'24
4. Macquarie.....	45'26	55'26	46'96	53'02	51'87	46'71	43'24	50'27	49'71	43'61	25'74	28'00	16'48	21'16	25'27	22'45	22'94	33'21	29'29	24'65	56'88	50'66	35'10	39'78	48'71	44'56	53'05	66'07	58'92	50'70	2'10	1'68	1'46	1'37	1'67	1'72	1'86	2'33	2'20	1'81
5. Cook	58'29	55'15	63'72	57'14	55'62	53'77	61'16	58'27	58'27	52'25	30'52	21'61	22'49	18'93	27'51	23'95	30'62	41'00	34'65	20'56	52'37	39'19	35'30	33'12	49'45	44'54	50'07	70'37	59'47	39'35	2'40	2'34	2'60	1'48	2'18	2'25	2'47	3'62	3'37	2'56
6. Fitzroy	54'62	54'61	49'66	52'57	42'75	39'14	47'53	46'91	40'97	38'34	28'41	25'62	25'21	31'56	27'00	23'11	23'72	39'48	33'43	21'41	52'02	46'92	50'77	60'04	63'15	59'03	60'42	84'16	81'72	55'85	3'05	2'57	2'70	2'26	2'30	2'15	2'37	3'23	3'09	2'11
7. Phillip.....	55'81	54'44	59'37	65'62	57'47	53'84	57'14	61'59	49'82	58'95	29'25	30'43	26'76	29'34	27'47	23'09	27'55	38'28	28'25	27'44	52'44	55'90	45'07	44'56	47'80	42'89	48'22	62'15	56'71	46'54	2'18	3'04	2'70	1'96	2'13	2'07	2'66	3'54	3'42	2'81
8. Denison	57'14	60'00	54'60	56'27	64'41	54'18	56'56	64'53	54'02	54'03	27'95	24'05	22'13	22'93	39'89	25'82	26'48	44'31	30'92	25'00	48'93	40'09	40'54	40'75	61'94	47'65	46'81	68'68	57'24	46'27	1'99	2'11	2'02	1'69	2'33	2'00	1'95	2'92	2'57	2'08

* The Infirmary is situated in Bourke Ward.

(J.)

District.	Percentage of—																																									
	Deaths under 5 years to total Deaths in each District.										Deaths under 5 years to Births in each District.										Total Deaths to Births in each District.										Total Deaths to Population in each District. (Census 1861 and 1871.)											
	1868.	1869.	1870.	1871.	1872.	1873.	1874.	1875.	1876.	1877.	1868.	1869.	1870.	1871.	1872.	1873.	1874.	1875.	1876.	1877.	1868.	1869.	1870.	1871.	1872.	1873.	1874.	1875.	1876.	1877.	1868.	1869.	1870.	1871.	1872.	1873.	1874.	1875.	1876.	1877.		
1. Sydney	46'77	47'12	45'10	46'93	45'02	39'94	44'72	47'29	41'10	40'70	28'84	25'02	23'13	24'93	28'30	23'49	29'76	39'97	30'93	23'94	51'66	53'11	51'28	53'12	62'86	58'72	66'55	84'53	75'25	58'84	2'81	2'65	1'93	2'07	2'37	2'36	2'72	3'50	3'27	2'62		
2. Balmain	52'08	62'88	52'94	38'06	61'54	57'62	64'62	61'43	63'05	52'94	20'74	19'74	18'30	17'76	22'00	18'88	25'06	33'24	34'13	18'24	39'83	31'39	34'57	30'60	35'73	32'77	38'78	54'12	54'13	34'45	2'43	2'46	2'58	1'35	1'52	1'71	2'13	3'05	2'94	2'22		
3. Glebe.....	56'52	65'67	60'16	52'87	53'93	49'07	57'44	63'52	53'25	56'25	30'11	27'93	24'58	16'91	17'84	17'32	27'93	33'44	28'21	26'13	53'28	42'54	40'86	31'98	33'08	35'29	48'62	52'64	53'00	46'45	3'71	3'61	3'31	1'52	1'55	1'88	2'46	2'77	2'95	2'51		
4. Newtown	51'16	54'02	41'77	53'12	47'36	52'41	57'83	52'90	53'55	57'17	22'33	20'43	12'17	19'10	18'15	19'95	23'13	39'24	27'83	24'73	43'65	37'82	29'15	35'95	38'32	38'05	40'00	74'19	51'97	43'34	2'03	2'05	1'86	1'45	1'67	1'83	2'09	3'69	2'66	2'59		
5. Redfern	58'51	68'16	63'15	66'40	65'51	55'15	57'00	60'90	54'16	60'00	24'49	25'49	19'41	23'38	24'35	22'75	23'72	32'00	27'95	23'23	41'86	37'40	30'73	35'21	37'17	41'25	41'63	52'50	51'61	38'70	4'03	3'65	3'11	1'98	1'79	2'03	2'21	2'72	2'96	2'22		
*6. Waterloo	66'94	57'14	67'54	68'04	55'34	57'92	27'27	24'43	33'44	36'87	32'30	26'53	40'74	42'76	49'50	54'19	58'35	45'81	1'91	2'10	2'39	3'08	3'26	2'60		
7. Paddington ...	48'76	53'48	45'37	54'60	52'72	44'56	51'04	54'06	54'64	52'90	21'29	22'44	13'00	20'75	24'54	16'14	26'07	32'33	33'48	19'29	43'66	41'95	28'64	38'00	46'61	36'14	51'07	59'81	66'06	36'47	2'38	2'53	1'58	1'30	1'44	1'31	1'98	2'27	2'77	1'69		
* Randwick ... Waverley	18'18	40'00	33'33	32'26	20'68	36'84	18'18	13'33	17'64	37'03	13'04	18'18	1'68	1'69
8. Concord	39'13	52'17	36'73	43'90	44'67	50'00	40'10	44'70	55'00	58'25	15'12	18'90	12'94	12'58	16'28	15'13	13'12	23'89	37'42	32'08	38'65	36'22	35'25	28'67	37'20	30'26	32'50	53'46	68'10	55'08	1'95	1'95	2'07	1'16	1'33	1'30	1'47	2'41	3'15	2'92		
9. St. George ...	56'36	50'49	55'40	39'80	53'35	37'09	48'43	39'00	53'60	45'55	23'56	16'45	13'89	12'19	15'58	11'16	16'06	21'10	26'80	17'89	42'58	32'58	25'08	30'62	22'72	30'10	33'16	54'13	50'00	39'29	1'94	1'79	1'31	1'16	0'84	1'16	1'19	2'21	2'36	1'88		
10. St. Leonards..	47'91	46'94	34'78	45'45	32'72	48'33	44'94	35'90	50'00	50'00	12'63	14'11	8'51	16'21	9'27	14'35	19'51	13'40	25'20	15'60	26'37	30'06	24'46	35'67	28'35	30'00	43'41	37'32	50'41	31'20	1'39	1'42	1'33	1'28	1'07	1'16	1'73	1'52	2'38	1'52		

* Waterloo was not created a separate Registry District till January, 1872; Randwick a Sub-district of Paddington in September, 1872; and Waverley Sub-district of Paddington, 1st August, 1876.

11

	Population, Census, 1871.	Births.	Deaths under 5	Total Deaths.
1. Sydney	76,159	3,399	814	2,000
2. Balmain	6,886	444	81	153
3. Glebe	5,721	310	81	144
4. Newtown	7,922	473	117	205
5. Redfern	8,092	465	108	180
6. Waterloo	6,306	358	95	164
7. Paddington	11,411	425	82	155
Randwick		28	1	13
Waverley		49	13	25
8. Concord	3,520	187	60	103
9. St. George... ..	5,340	257	46	101
10. St. Leonards	5,126	234	38	76
Manly		16	1	2

From the decennial table now following, which shows the percentage of deaths from various causes, we find that during the year 1877 the class of Zymotic Diseases constituted 23·27 of total deaths. Of these diseases we find a decrease of 6·26 per cent. on the previous year, but 0·43 higher than the preceding nine years' average. Constitutional Diseases had increased from 11·41 in 1876 to 12·45 in 1877, showing a rise of 1·04, and also of 0·24 on the average of the preceding nine years. The percentage for Local Diseases was 37·87, being 2·66 in excess of the previous year, but a decrease of 0·38 on the previous nine years' average. Under Developmental class of disease we find the percentage to be 17·90, which is 1·98 under the preceding year, and closely approximates to the average of previous nine years. The percentage of Violent Deaths was 7·55, which is 0·18 lower than the average of previous nine years.

TABLE showing the DEATHS at ALL AGES, from 1 to 100 years, in Sydney, Suburbs, and the Country Districts, for the Year ended 31 December, 1877.

	Under 1 year.	1 to 2 years.	2 to 3 years.	3 to 4 years.	4 to 5 years.	5 to 10 years.	10 to 15 years.	15 to 20 years.	20 to 25 years.	25 to 30 years.	30 to 35 years.	35 to 40 years.	40 to 45 years.	45 to 50 years.	50 to 55 years.	55 to 60 years.	60 to 65 years.	65 to 70 years.	70 to 75 years.	75 to 80 years.	80 to 85 years.	85 to 90 years.	90 to 95 years.	95 to 100 years.	100 years and upwards.	Age unspecified.	Grand Total.
Males—																											
Sydney.....	307	90	18	22	9	21	16	23	28	59	51	56	60	50	70	46	59	41	30	12	5	8	...	2	...	11	1094
Suburbs	245	64	28	14	14	21	8	8	12	13	30	18	24	27	31	22	27	26	16	16	6	4	1	...	675
Country Districts	979	332	104	59	44	137	73	84	101	127	159	192	193	201	184	180	213	207	185	165	73	39	17	12	5	43	4108
Total.....	1531	486	150	95	67	179	97	115	141	199	240	266	277	273	285	248	299	274	231	193	84	51	17	14	6	54	5877
Females—																											
Sydney.....	255	80	17	16	11	24	16	25	32	40	32	50	35	48	32	41	45	33	31	26	5	7	4	1	1	9	906
Suburbs	231	83	24	7	13	16	15	15	11	17	32	26	17	24	25	22	17	16	13	11	8	3	646
Country Districts	768	271	86	64	48	135	83	78	72	83	89	79	85	56	62	64	77	75	60	55	30	13	2	1	1	3	2440
Total.....	1254	434	127	77	72	175	114	118	115	140	153	155	137	128	119	127	139	124	104	92	43	23	6	2	2	12	3992

	1868. Per- centage.	1869. Per- centage.	1870. Per- centage.	1871. Per- centage.	1872. Per- centage.	1873. Per- centage.	1874. Per- centage.	1875. Per- centage.	1876. Per- centage.	1877. Per- centage.
CLASS I.—ZYMOTIC DISEASES.										
Order 1.—Miasmatic Diseases—Scarlatina, Measles, Diphtheria, Dysentery, Fevers, &c.	22'85	20'41	17'37	16'58	19'09	15'52	20'09	27'12	26'36	19'85
2.—Enthetic Diseases—Syphilis, Gonorrhœa, &c.	0'47	0'19	0'26	0'28	0'36	0'46	0'34	0'23	0'44	0'26
3.—Dietic Diseases—Privation, Scurvy, Delirium Tremens, &c.	1'77	1'60	0'98	1'16	1'29	1'59	1'50	1'66	2'31	2'57
4.—Parasitic Diseases, Thrush, Worms, &c.	0'40	0'30	0'34	0'36	0'29	0'28	0'45	0'39	0'42	0'59
	25'49	22'50	18'95	18'38	21'03	17'85	22'38	29'46	29'53	23'27
CLASS II.—CONSTITUTIONAL.										
Order 1.—Diathetic Diseases—Gout, Dropsy, Cancer, &c.	3'34	3'62	3'52	4'03	4'09	4'27	3'69	3'24	3'58	3'78
2.—Tubercular Diseases—Scrofula, Phthisis, Hydrocephalus, &c.	7'70	7'53	9'01	9'24	9'52	8'78	8'74	8'22	7'83	8'67
	11'04	11'15	12'53	13'27	13'61	13'05	12'43	11'46	11'41	12'45
CLASS III.—LOCAL.										
Order 1.—Nervous—Apoplexy, Paralysis, Insanity, Convulsions, Cephalitis, Brain Disease, &c.	14'16	14'09	14'44	15'36	15'33	15'50	14'62	12'13	11'55	12'62
2.—Circulation—Pericarditis, Aneurism, Heart Disease, &c.	4'04	5'16	6'08	5'85	5'01	5'99	5'73	4'61	4'79	4'84
3.—Respiratory—Bronchitis, Pneumonia, Asthma, Pleurisy, &c.	9'23	10'12	9'64	10'47	9'35	10'87	11'34	10'13	10'09	10'87
4.—Digestive—Gastritis, Enteritis, Peritonitis, Hernia, &c.	6'08	6'83	6'67	7'10	6'81	7'15	6'31	6'64	6'36	7'27
5.—Urinary—Nephritis, Ischuria, Diabetes, &c.	0'97	1'27	1'18	1'64	1'42	1'60	1'68	1'62	1'80	1'92
6.—Generation—Ovarian Dropsy, Uterus Diseases, &c.	0'43	0'46	0'24	0'34	0'47	0'25	0'17	0'21	0'24	0'08
7.—Joints—Arthritis, Ostitis, Periostitis, &c.	0'15	0'15	0'12	0'14	0'12	0'14	0'11	0'18	0'18	0'11
8.—Integumentary—Phlegmon, Ulcer, Skin Disease, &c.	0'26	0'33	0'21	0'19	0'23	0'06	0'13	0'10	0'20	0'16
	35'32	38'41	38'58	41'09	38'44	41'56	40'09	35'62	35'21	37'87
CLASS IV.—DEVELOPMENTAL.										
Order 1.—Children—Cyanosis, Spina-Bifida, Teething, &c.	5'15	5'47	5'46	4'62	5'06	4'32	4'36	4'68	4'23	6'28
2.—Adults—Paramenia, Childbirth, &c.	0'49	0'69	0'70	0'80	0'49	0'74	1'00	0'98	1'26	1'03
3.—Old People—Old Age, &c.	5'23	4'95	5'32	5'26	5'54	6'42	5'13	4'96	5'45	5'08
4.—Nutrition—Atrophy, Debility	6'98	7'13	7'37	6'54	6'25	7'06	6'27	5'57	4'98	5'51
	17'85	18'24	18'85	17'22	17'34	18'54	16'76	16'19	15'92	17'90
CLASS V.—VIOLENCE.										
Order 1.—Accident or Negligence—Fractures, Contusions, Burns, Drowning, Suffocation, Wounds, &c.	7'71	7'67	9'68	8'67	7'91	7'82	6'84	6'02	6'34	6'72
2.—Wounds in Battle—Gunshot Wounds
3.—Homicide—Murder and Manslaughter ...	0'26	0'21	0'13	0'34	0'27	0'24	0'28	0'15	0'24	0'21
4.—Suicide—Poison, Drowning, Hanging, &c.	0'55	0'57	0'53	0'44	0'55	0'46	0'65	0'48	0'42	0'61
5.—Execution—Hanging	0'06	0'03	0'07	0'05	0'03	0'02	0'03	0'01
Unclassified—Violent Deaths	0'07
	8'58	8'45	10'34	9'48	8'80	8'57	7'80	6'74	7'03	7'55
Unspecified	1'72	1'25	0'75	0'56	0'78	0'43	0'54	0'59	0'90	0'96

The figures immediately following show the percentage which the deaths from each disease named bear to the total number of deaths registered in Sydney, Suburbs, and Country Districts:—

	Sydney.	Suburbs.	Country Districts.		Sydney.	Suburbs.	Country Districts.
Scarlatina	0'20	0'30	1'31	Insanity	0'84
Diphtheria	1'00	2'34	2'35	Epilepsy	0'60	0'76	0'53
Croup	0'85	3'10	2'45	Convulsions	3'95	5'07	5'43
Whooping Cough	0'75	0'27	0'19	Brain Disease	1'70	1'06	1'00
Typhoid and Infantile Fever ...	3'05	2'95	4'20	Aneurism	0'50	0'07	0'45
Erysipelas	0'55	0'30	0'38	Heart Disease	4'20	4'54	4'29
Metria	0'6	Bronchitis	4'25	3'86	4'38
Influenza	0'55	Pleurisy	0'40	0'45	0'33
Dysentery	0'60	0'98	2'09	Pneumonia	3'70	3'40	4'26
Diarrhœa	7'85	8'63	4'81	Congestion of Lungs	1'10	1'28	1'03
Cholera	0'80	1'44	0'65	Asthma	0'30	0'38
Remittent Fever	0'35	Lung Disease	0'50	0'07	0'59
Rheumatism	0'60	0'60	0'58	Gastritis	1'30	1'06	0'75
Syphilis	0'45	0'27	0'09	Enteritis	1'10	2'80	2'50
Privation	0'49	Peritonitis	0'80	0'60	0'41
Want of Breast Milk	1'55	1'74	0'68	Hepatitis	1'35	0'83	0'58
Alcoholism	1'70	0'76	0'91	Liver Disease, &c.	1'40	1'51	0'99
Thrush	0'15	0'15	0'53	Nephritis	0'55	0'38	0'23
Dropsy	2'35	1'28	1'17	Nephria	1'50	0'91	0'38
Cancer	1'65	1'21	1'80	Kidney Disease	0'50	0'68	0'38
Tumour	0'45	0'30	0'35	Premature Birth	2'40	2'27	2'15
Scrofula	0'50	0'53	0'24	Teething	2'55	3'33	3'97
Tabes Mesenterica	2'05	3'25	1'42	Childbirth	0'90	0'38	1'16
Phthisis	8'30	7'87	4'81	Old Age	2'80	2'80	6'23
Hydrocephalus	0'35	0'98	0'38	Atrophy and Debility	5'70	7'72	5'01
Cephalitis	2'50	2'57	1'19	Fractures and Contusions	2'00	0'51	3'49
Apoplexy	3'05	2'12	1'25	Burns and Scalds	0'30	0'27	1'03
Paralysis	2'00	0'91	1'89	Drowning	0'75	1'36	2'43

The table which immediately follows shows the number of Deaths in Sydney, Suburbs, and Country Districts respectively, from the diseases specified, giving the total number of deaths from each cause, and also the deaths under 5 years of age.

	Sydney.		Suburbs.		Country Districts.	
	No. of Deaths.	Deaths under 5 years.	No. of Deaths.	Deaths under 5 years.	No. of Deaths.	Deaths under 5 years.
ZYMOTIC DISEASES.						
Measles	2	1
Scarlatina	4	3	4	2	86	47
Diphtheria	20	15	31	20	154	83
Croup	17	15	41	34	162	128
Whooping Cough	15	15	3	3	13	12
Typhoid and Infantile Fever	61	13	39	6	275	55
Erysipelas	11	7	4	2	25	7
Influenza	1	1	36	21
Metria	2	1	11
Dysentery	12	3	13	8	137	85
Diarrhoea	157	120	114	100	315	252
Cholera	16	12	19	16	43	30
Remittent Fever	23	13
Rheumatism	12	8	38	3
Syphilis	9	5	3	2	6	5
Privation	32
Want of Breast Milk	31	31	23	23	45	45
Alcoholism	39	10	60
Thrush	3	3	2	2	35	35
CONSTITUTIONAL DISEASES.						
Dropsy	47	5	17	2	77	7
Cancer	33	16	118
Tumour	9	4	23	1
Scrofula	10	1	7	7	16	7
Tabes Mesenterica	41	41	43	43	93	92
Phthisis	166	3	104	6	315	10
Hydrocephalus	7	6	13	13	25	25
LOCAL DISEASES.						
Cephalitis	50	42	34	25	78	50
Apoplexy	61	28	82
Paralysis	40	12	1	124	2
Insanity	2	1	55
Epilepsy	12	2	10	1	35	2
Convulsions	79	76	67	67	356	356
Brain Disease, &c.	34	3	14	5	66	10
Aneurism	10	1	30
Heart Disease	84	2	60	2	281	9
Bronchitis	85	34	51	35	287	185
Pleurisy	8	1	6	2	22	2
Pneumonia	74	24	45	23	279	99
Congestion of lungs	22	18	17	14	68	35
Asthma	1	4	25
Lung Disease, &c.	10	3	1	39	1
Gastritis	26	23	14	10	49	38
Enteritis	22	13	37	26	164	83
Peritonitis	16	2	8	1	27	6
Hepatitis	27	11	1	38	4
Liver Disease, &c.	28	3	20	2	65
Nephritis	11	4	5	1	15	4
Nephria	30	1	12	25	2
Kidney Disease	10	9	2	25	2
DEVELOPMENTAL DISEASES.						
Premature Birth	48	48	30	30	141	141
Teething	51	51	44	44	260	260
Childbirth	18	5	76
Old age	56	37	408
Atrophy and debility	114	114	102	102	328	328

The mean average monthly number of deaths in Sydney for the last ten years was 158. On reference to the decennial table below it will be seen that in the city the greatest number of deaths are recorded in the months of January and December, the mean temperature for these months being 71·6 and 70·7 respectively. The two months in the year which show the lowest mean mortality are September and October, when the mean temperature was 58·4 and 63·5 respectively. The greatest mean rainfall during any month in the ten years was in May, when we have a record of 8·52 inches, and the lowest in August, with 1·86 inch.

(L.)

Period.	No. of Deaths.	Mean Temperature.	Mean Height of Barometer.	Rain.		Mean Amount of Ozone.
				Depth.	Days.	
January... ..	198	71·6	29·924	3·74	14	4·9
February	159	70·8	29·995	6·78	16	5·0
March	151	69·2	30·078	5·87	16	5·0
April	148	64·7	30·111	5·58	12	5·3
May	158	58·7	30·099	8·52	16	5·4
June	143	55·0	30·116	4·44	10	5·2
July	151	52·7	30·169	4·85	12	5·6
August	154	54·9	30·101	1·86	10	5·4
September	134	58·4	30·096	2·27	11	5·7
October... ..	140	63·5	30·030	3·48	14	5·6
November	165	66·5	29·940	4·11	13	5·5
December	202	70·7	29·924	2·42	11	5·0
Mean of 12 months	158	63·0	30·048	4·49	12	5·3

I have the honor to be,
 Sir,
 Your obedient servant,
 EDWD. GRANT WARD,
 Registrar General.

INDEX TO TABLES.

	PAGE.
Births—	
Quarterly Abstract (1877)	4
" " (1866 to 1877)	7
Children out of Wedlock	8
Triples and Twins	8
In the Colony	17
In each District	17
In each Ward of the City, in proportion to Deaths, &c.	11
In each Suburban District	11
At Sea, registered in the Colony	60
In each Ward of the City	10
Deaths—	
Quarterly Abstract (1877)	4
" " (1866 to 1877)	9
In the Colony	17
In each District	17
In each Ward of the City, in proportion to Births, &c.	11
In each Suburban District	11
Infants, 1868 to 1877	10
Males, at Ages, New South Wales, with Diseases and Ages	20
" " City of Sydney,	29
" " Suburban Districts	38
" " Country Districts	47
Females	23
" " New South Wales	32
" " City of Sydney	41
" " Suburban Districts	50
" " Country Districts	26
Both Sexes	35
" " New South Wales	44
" " City of Sydney	53
" " Suburban Districts	57
" " Country Districts	56
From each Cause, in the City of Sydney	60
Monthly Mortality	60
At Sea, registered in the Colony	15
Mortality, Temperature, &c.	13
Diseases classified (1868, 1869, 1870, 1871, 1872, 1873, 1874, 1875, 1876, and 1877, compared)	10
In each Ward of the City	12
Deaths from all Ages (1 to 100 years)	12
Marriages—	
Quarterly Abstract (1877)	4
" " (1868 to 1877)	6
In the Colony	17
In each District	17
Denominations (1877)	19
" (1868 to 1877)	4
Registration Districts and District Registrars	60
Temperature, Height of Barometer, Rain, &c. (1868 to 1877)	15

APPENDIX.

A.

TABLE showing the number of MARRIAGES, BIRTHS, and DEATHS registered in the Colony of New South Wales, during the year ended 31st December, 1877.

	Marriages.	Births.			Deaths.		
		Males.	Females.	Total.	Males.	Females.	Total.
Sydney	1,343	1,732	1,667	3,399	1,094	906	2,000
Suburban Districts	556	1,662	1,584	3,246	675	646	1,321
Metropolitan	1,899	3,394	3,251	6,645	1,769	1,552	3,321
Country Districts	3,095	8,898	8,308	17,206	4,108	2,440	6,548
	4,994	12,292	11,559	23,851	5,877	3,992	9,869

B.

TABLE showing the MARRIAGES, BIRTHS, and DEATHS registered in each District of the Colony of New South Wales, during the year ended 31st December, 1877.

District.	Popula- tion, Census 1871.	Mar- riages.	Total.		Births.				Deaths.		Excess of Births over Deaths.	
			Births.	Deaths.	Including Illegitimate Births.		Illegitimate Births.		M.	F.		
					M.	F.	M.	F.				
I.—NORTH-EASTERN.												
1. Richmond River	4,528	28	235	64	111	124	3	2	36	28	171	
2. Tweed River	449	1	15	4	10	5	3	1	11	
3. Grafton	8,965	{	71	440	118	226	214	3	7	65	53	322
McLean			11	133	29	73	60	2	...	18	11	104
4. Macleay River	4,975	{	37	216	42	117	99	2	1	28	14	174
Bellinger River			1	24	3	13	11	1	2	21
Nambucca River			5	19	3	8	11	1	...	2	1	16
5. Port Macquarie	2,131	11	67	27	34	33	14	13	40	
6. Manning River	5,171	37	201	35	112	89	3	2	22	13	166	
7. Port Stephens	2,659	13	128	43	62	66	24	19	85	
8. Dungog	1,950	17	81	16	42	39	...	1	10	6	65	
9. Clarence Town	1,000	10	38	13	27	11	1	1	8	5	25	
10. Paterson	2,561	12	87	28	44	43	1	2	15	13	59	
11. Raymond Terrace	3,015	19	90	37	46	44	2	2	14	23	53	
12. Maitland	13,670	116	474	219	250	224	13	9	123	96	255	
13. Morpeth	3,289	26	131	37	71	60	3	2	16	21	94	
14. Patrick's Plains	6,699	37	243	89	128	115	8	9	61	28	154	
15. Muswellbrook	3,616	22	129	58	73	56	29	29	71	
16. Scone	3,793	22	153	46	75	78	5	4	27	19	107	
17. Murrurundi	4,143	42	236	78	107	129	2	5	49	29	158	
Total	72,614	538	3,140	989	1,629	1,511	49	47	565	424	2,151	
II.—NORTH MIDLAND.												
1. Tenterfield	2,349	28	134	37	63	71	1	2	18	19	97	
2. Wellingrove	2,648	{	24	124	47	65	59	3	2	29	18	77
Vegetable Creek			5	73	12	47	26	8	4	61
3. Inverell	2,366	38	240	62	123	117	6	4	32	30	178	
4. Armidale	9,706	86	489	152	253	236	10	6	86	66	337	
Total	17,069	181	1,060	310	551	509	20	14	173	137	750	

B—continued.

District.	Popula- tion, Census 1871.	Mar- riages.	Total.		Births.				Deaths.		Excess of Births over Deaths.
			Births.	Deaths.	Including Illegitimate Births.		Illegitimate Births.		M.	F.	
					M.	F.	M.	F.			
III.—NORTH-WESTERN.											
1. Tamworth	6,806.	{ 58	330	113	168	162	3	6	78	35	217
Gunnedah		{ 25	128	60	73	55	4	...	38	22	68
2. Nundle	2,068	4	61	9	33	28	4	5	52
3. Warialda	3,656	18	191	58	107	84	2	3	38	20	133
4. Cassilis	2,838	15	106	25	52	54	...	2	17	8	81
5. Dubbo	4,289	62	270	110	135	135	1	1	80	30	160
6. Coonabarabran	2,219	{ 24	156	50	69	87	1	8	32	18	106
*Coonamble		{ 3	21	13	12	9	1	...	10	3	8
7. Molong	3,167	24	215	77	110	105	2	1	50	27	138
8. Forbes	6,709	{ 29	174	94	97	77	8	3	62	32	80
Parkes		{ 18	119	40	66	53	6	2	20	20	79
9. Walgett	1,445	6	56	36	30	26	1	2	30	6	20
10. Narrabri	1,699	27	93	39	49	44	1	4	32	7	54
TOTAL	34,896	313	1,920	724	1,001	919	30	32	491	233	1,196
IV.—METROPOLITAN.											
1. City of Sydney	76,159	1,343	3,399	2,000	1,732	1,667	161	144	1,094	906	1,399
2. Balmain	6,886	102	444	153	225	219	3	1	81	72	291
3. Glebe	5,721	43	310	144	152	158	1	8	66	78	166
4. Newtown	7,922	92	478	205	227	246	7	9	95	110	268
5. Redfern	8,092	23	465	180	260	205	8	6	98	82	285
6. Waterloo	6,306	67	358	164	195	163	5	4	86	78	194
7. Paddington	11,411	{ 100	425	155	211	214	3	9	81	74	270
Randwick		{ 4	28	13	10	18	2	...	4	9	15
Waverley		{ 22	49	25	27	22	1	...	12	13	24
8. Concord	3,520	34	187	103	89	98	1	3	56	47	84
9. St. George	5,340	21	257	101	129	128	3	3	60	41	156
10. St. Leonards	5,126	{ 44	234	76	129	105	34	42	158
+ Manly		{ 4	16	2	8	8	2	...	14
TOTAL	136,483	1,899	6,645	3,321	3,394	3,251	195	187	1,769	1,552	3,324
V.—EAST MIDLAND.											
1. Newcastle	18,667	{ 174	730	327	391	339	14	4	209	118	403
Lambton		{ 28	280	114	133	147	3	2	65	49	166
Wallsend		{ 43	272	115	147	125	3	4	62	53	157
2. Wollombi	1,952	7	85	17	41	44	...	1	10	7	68
3. McDonald River	625	3	31	7	18	13	...	1	6	1	24
4. Brisbane Water	2,607	14	110	28	63	47	1	5	15	13	82
5. Windsor	4,963	30	199	67	104	95	6	2	43	24	132
6. Richmond	3,083	16	132	37	73	59	6	6	18	19	95
7. Penrith	5,321	25	167	66	90	77	3	3	35	31	101
†8. Parramatta	11,551	55	358	304	191	167	11	8	234	70	54
§9. Ryde	2,886	18	118	77	60	58	5	4	52	25	41
10. Liverpool	3,493	14	88	213	42	46	1	1	200	13	26
11. Campbelltown	1,870	14	59	33	30	29	3	4	21	12	26
12. Camden	4,032	18	114	31	63	51	3	1	12	19	83
13. Picton	2,208	8	71	21	40	31	4	1	14	7	50
TOTAL	63,258	467	2,814	1,457	1,486	1,328	63	47	996	461	1,482
VI.—WEST MIDLAND.											
1. Carcoar	6,411	43	304	117	165	139	7	8	84	33	187
2. Cowra	1,391	14	102	36	48	54	1	1	20	16	66
3. Hartley	5,165	22	191	56	94	97	...	1	23	33	135
4. Bathurst	16,860	143	664	306	347	317	15	24	178	128	358
5. Sofala	2,821	8	70	29	37	33	1	4	19	10	41
6. Orange	7,586	98	417	183	219	198	6	8	92	91	234
7. Wellington	3,354	35	158	56	77	81	5	3	37	19	102
8. Tambaroora	3,265	{ 1	14	2	6	8	2	12
Hill End		{ 25	133	43	76	57	1	2	25	18	90
9. Mudgee	11,901	{ 57	360	116	181	179	4	10	68	48	244
Gulgong		{ 40	191	58	97	94	15	10	36	22	133
10. Rylstone	2,133	23	118	28	68	50	2	1	17	11	90
TOTAL	60,887	509	2,722	1,030	1,415	1,307	57	72	599	431	1,692
VII.—SOUTH-EASTERN.											
1. Wollongong	5,699	42	241	56	112	129	5	3	29	27	185
2. Kiama	5,750	40	175	50	80	95	1	1	28	22	125
3. Berrina	4,529	{ 28	140	52	73	67	3	1	24	28	88
Burrawang		{ 5	56	10	33	23	5	5	46
4. Shoalhaven	4,724	35	200	48	104	96	5	...	30	18	152
5. Ulladulla	1,652	13	64	19	27	37	...	1	10	9	45
6. Broulee	3,739	20	124	37	65	59	1	5	19	18	87
7. Eden	1,212	7	58	10	32	26	1	1	4	6	48
8. Bega	2,651	27	179	35	98	81	5	1	22	13	144
TOTAL	29,956	217	1,237	317	624	613	21	13	171	146	920

* This District was created a *Sub.* of Coonabarabran on the 27th August, 1877.

July, 1877.

† The Government Lunatic Asylum and Hospital is situated in this district.

‡ The Government Benevolent Asylum is situated in this district.

† This District was created a *Sub.* of St. Leonards on the 1st

§ The Hospital for the Insane is situated in

B—continued.

District.	Popula- tion, Census 1871.	Mar- riages.	Total.		Births.				Deaths.		Excess of Births over Deaths.	
			Births.	Deaths.	Including Illegitimate Births.		Illegitimate Births.		M.	F.		
					M.	F.	M.	F.				
VIII.—SOUTH MIDLAND.												
1. Braidwood	11,422	36	238	97	124	114	6	1	57	40	141	
2. Cooma	4,383	60	212	64	112	100	6	1	37	27	148	
3. Bombala	2,854	37	156	41	75	81	1	2	28	13	115	
4. Goulburn	13,756	105	508	204	244	264	11	9	116	88	304	
5. Albury	9,190	77	494	158	233	261	5	8	107	51	336	
6. Gundagai	4,699	{	51	239	98	128	111	4	4	60	38	141
Adelong			15	115	35	55	60	3	4	20	15	80
7. Tumut	3,321	23	126	44	73	53	3	2	24	20	82	
8. Yass	6,600	{	55	235	101	110	125	...	4	66	35	134
* Gunning			4	36	7	15	21	1	...	3	4	29
9. Queanbeyan	4,675	33	209	67	114	95	2	2	33	34	142	
10. Burrowa	3,865	{	34	178	75	85	93	1	2	43	32	103
Grenfell			24	127	34	65	62	6	...	18	16	93
11. Young	5,924	{	56	251	104	132	119	8	9	75	29	147
Murrumburrah			3	90	39	45	45	1	2	24	15	51
TOTAL	70,689	613	3,214	1,168	1,610	1,604	58	50	711	457	2,046	
IX.—SOUTH-WESTERN.												
1. Deniliquin	2,714	43	183	100	94	89	2	2	58	42	83	
2. Moama	901	4	72	21	38	34	2	...	16	5	51	
3. Moulamein	557	2	11	4	6	5	2	2	7	
4. Balranald	591	15	35	23	22	13	20	3	12	
5. Bourke	1,508	34	100	90	55	45	1	3	72	18	10	
6. Hay	3,455	53	219	142	105	114	6	7	108	34	77	
7. Wentworth	1,200	16	57	29	31	26	2	1	22	7	28	
8. Menindie	1,210	19	62	48	35	27	40	8	14	
9. Wagga Wagga	5,993	71	349	106	185	164	4	4	74	32	243	
TOTAL	18,129	257	1,088	563	571	517	17	17	412	151	525	
GRAND TOTAL FOR NEW SOUTH WALES	503,981	4,994	23,851	9,869	12,292	11,559	510	479	5,877	3,992	14,107	

The Deaths in the District of Liverpool exceed the Births by 125, which will reduce the total excess of Births over Deaths to 13,982.

* This District was created a *Sub.* of Yass on the 1st September, 1877.

C.
MARRIAGES—1877.

Denomination.	Sydney.				Suburban Districts.				Country Districts.				Total.			
	Mar- riages.	Marks.			Mar- riages.	Marks.			Mar- riages.	Marks.			Mar- riages.	Marks.		
		M.	F.	Total.		M.	F.	Total.		M.	F.	Total.		M.	F.	Total.
Church of England	507	17	34	51	157	7	5	12	1,205	131	152	283	1,869	155	191	346
Roman Catholic	237	22	41	63	85	9	16	25	668	104	103	207	990	135	160	295
Presbyterian	337	24	46	70	111	5	5	10	406	25	37	62	854	54	88	142
Wesleyan	48	3	4	7	68	2	3	5	393	16	24	40	509	21	31	52
Primitive Methodist	10	12	...	1	1	88	5	5	10	110	5	6	11
Congregationalist	99	6	13	19	79	1	1	2	65	...	3	3	243	7	17	24
Baptist	33	1	4	5	7	30	3	...	3	70	4	4	8
Hebrew	18	1	...	1	1	1	20	1	...	1
German Evangelical	6	1	13	1	1	2	20	1	1	2
Christians	1	2	3
Protestant Episcopal	3	1	1	2	3	1	1	2
Registrars' Offices	47	3	4	7	33	5	5	10	223	30	45	75	303	38	54	92
	1,343	77	146	223	556	29	36	65	3,095	316	371	687	4,994	422	553	975

DEATHS from all causes of MALES, at different ages, registered in NEW SOUTH WALES, from 1st January to 31st December, 1877.

CAUSES OF DEATH.	Under 1 year.	1 to 2 years.	2 to 3 years.	3 to 4 years.	4 to 5 years.	5 to 10 years.	10 to 15 years.	15 to 20 years.	20 to 25 years.	25 to 30 years.	30 to 35 years.	35 to 40 years.	40 to 45 years.	45 to 50 years.	50 to 55 years.	55 to 60 years.	60 to 65 years.	65 to 70 years.	70 to 75 years.	75 years and upwards.	Ages not specified.	Total.
CLASS I.—ORDER 1.																						
1. Small-pox	1
1a. Chicken-pox	1	2
2. Measles	2	5	9	9	2	7	2	1	...	1	...	1	39
3. Scarletina	10	12	9	10	8	27	5	2	...	1	1	85
3a. Diphtheria	3	1	4
4. Quinsy	22	23	24	22	13	21	125
5. Croup	8	4	1	13
6. Whooping-cough	9	12	6	4	5	14	14	25	20	19	19	9	9	5	2	5	4	1	...	2	2	186
7. Typhoid (and Infantile Fever).	11	1	...	3	1	2	...	1	19
8. Erysipelas
9. Metria	1	1
10. Carbuncle	11	1	...	2	1	1	2	2	3	2	...	25
11. Influenza	35	16	4	1	1	2	1	1	1	2	2	1	3	7	5	4	4	4	4	5	2	105
12. Dysentery	184	59	6	2	1	1	...	1	...	1	2	3	4	8	5	6	10	9	9	14	...	325
13. Diarrhoea	22	4	1	2	...	2	1	2	4	1	...	1	2	42
14. Cholera	1	1	1	1	1	4
15. Ague	3	1	...	1	1	6
16. Remittent Fever	1	4	1	2	1	2	2	3	2	3	5	1	1	4	1	2	35
17. Rheumatism	1	1	...	1	1	4
18. Pyæmia	320	140	59	53	30	82	24	33	23	26	31	22	19	27	21	19	22	21	19	26	4	1021
ORDER 2.																						
1. Syphilis	6	2	1	1	...	1	11
2. Stricture of the Urethra	1	2	1	2	1	1	8
3. Hydrophobia
4. Glanders	6	2	1	1	3	1	3	1	1	19
ORDER 3.																						
1. Privation	1	...	1	1	1	3	...	3	5	2	4	3	1	1	6	32
2. Want of Breast Milk ...	49	3	2	2	1	1	1	...	52
3. Purpura and Scurvy ...	1	1	1	2	2	...	1	1	1	1	...	11
4. Alcoholism—
a. Del. Tremens.....	1	3	9	13	9	9	10	8	6	4	1	14
b. Intemperance.....	73
...	50	4	1	1	...	2	4	12	21	14	15	17	10	11	8	3	2	7	182
ORDER 4.																						
1. Thrush	17	17
2. Worms, &c.	1	...	1	...	1	1	4
2a. Hydatid	1	2	...	1	...	1	1	...	1	7
...	17	1	...	1	...	1	2	1	1	...	1	1	...	1	28
Total Class I.....	393	147	59	54	30	84	26	34	25	32	44	44	33	44	42	30	37	30	23	28	11	1250
CLASS II.—ORDER 1.																						
1. Gout	1	1	1	3	6
2. Dropsy	3	3	2	2	2	1	1	1	1	3	5	7	11	4	9	7	9	9	...	80
3. Cancer	1	1	...	5	4	6	6	14	15	17	12	8	14	102
3a. Tumour	1	1	...	3	3	2	...	2	5	...	2	20
3b. Polypus	1	1
4. Noma	1	3	...	2	5	...	13
5. Mortification	4	3	1	...	2	3	2	2	3	1	9	11	14	14	27	25	30	24	19	28	...	222
ORDER 2.																						
1. Scrofula	6	...	1	3	1	3	2	1	2	19
2. Tabes Mesenterica	49	33	5	1	4	...	1	93
3. Phthisis	6	3	...	1	1	2	1	17	38	51	42	47	41	38	28	19	11	4	4	3	2	350
3a. Hæmoptysis	3	2	1	2	1	9
4. Hydrocephalus	18	4	1	1	1	25
5. Abscess	1	1	2
...	79	40	7	3	6	5	4	20	40	51	42	51	43	39	30	20	13	5	4	3	2	507
Total Class II	83	43	8	3	8	3	6	22	43	52	51	62	57	53	57	45	43	29	23	31	2	729

D 1—continued.

CAUSES OF DEATH.	Under 1 year.	1 to 2 years.	2 to 3 years.	3 to 4 years.	4 to 5 years.	5 to 10 years.	10 to 15 years.	15 to 20 years.	20 to 25 years.	25 to 30 years.	30 to 35 years.	35 to 40 years.	40 to 45 years.	45 to 50 years.	50 to 55 years.	55 to 60 years.	60 to 65 years.	65 to 70 years.	70 to 75 years.	75 years and upwards.	Ages not specified.	Total.
CLASS III.—ORDER 1.																						
1. Cephalitis.....	28	21	7	3	2	8	1	5	1	...	5	1	2	1	...	2	...	1	2	...	1	91
2. Apoplexy.....	1	1	...	1	1	2	5	5	11	13	11	19	8	9	6	...	2	103
3. Paralysis.....	1	1	6	4	6	10	13	10	13	12	12	13	13	...	112
4. Insanity.....	5	5	4	4	3	7	4	6	3	1	5	...	47
5. Chorea.....	2	1	3
6. Epilepsy.....	2	1	...	4	3	1	2	1	4	3	...	2	3	2	4	2	1	35
7. Convulsions.....	204	33	13	2	1	2	3	255
8. Brain Disease, &c.....	8	2	1	...	2	...	4	...	6	2	4	2	5	8	5	11	9	8	6	3	...	86
	242	56	21	6	6	16	10	8	11	16	27	21	33	40	36	46	40	36	27	30	4	732
ORDER 2.																						
1. Pericarditis.....	1	2	1	...	1	1	1	7
2. Aneurism.....	1	1	3	1	8	3	4	4	4	2	3	1	35
3. Heart Disease, &c.....	4	...	1	...	1	3	5	10	5	8	11	23	25	28	20	23	31	22	18	25	1	264
	4	...	2	...	1	3	5	10	6	11	14	24	34	31	25	28	36	24	21	26	1	306
ORDER 3.																						
1. Laryngitis.....	...	1	1	5	2	1	1	1	...	1	13
2. Bronchitis.....	87	33	17	5	4	8	1	...	1	3	2	2	1	4	7	10	12	16	9	20	1	243
3. Pleurisy.....	2	1	1	...	1	1	3	...	3	2	1	1	1	2	2	1	1	1	...	24
4. Pneumonia.....	47	16	8	4	1	9	2	7	5	15	5	9	19	23	20	11	14	15	9	7	1	247
4a Congestion of the Lungs—Pulmonary.	27	10	3	4	...	1	3	1	2	2	...	1	1	3	1	4	3	...	66
5. Asthma.....	1	...	1	1	1	2	4	4	5	1	1	2	...	1	...	24
6. Lung Disease, &c.....	1	2	...	2	2	2	2	4	2	3	...	4	2	3	5	2	1	...	35
	164	61	30	18	8	20	4	11	11	25	17	18	29	32	37	31	35	39	27	32	3	652
ORDER 4.																						
1. Gastritis.....	23	10	4	...	1	2	1	1	...	1	1	2	1	...	47
2. Enteritis.....	46	11	4	3	2	7	3	4	2	1	3	6	3	8	4	4	2	2	1	116
3. Peritonitis.....	5	1	1	1	...	2	3	2	3	1	1	1	1	1	2	...	1	26
4. Ascites.....	1	1	1	1	1	4
5. Ulceration of Intestines	1	1	1	3	1	...	3	...	2	1	13
6. Hernia.....	1	1	1	...	1	1	...	2	2	9
7. Ileus.....	9	3	2	1	2	2	19
8. Intussusception.....	3	1	2	1	7
9. Stricture of Intestines..	1	1	1	2	1	6
10. Fistula.....	2	2
11. Stomach Disease, &c.....	4	2	2	1	1	3	4	...	2	...	19
12. Pancreas Disease, &c.....
13. Hepatitis.....	2	1	1	1	...	2	3	2	6	3	5	6	2	1	5	4	...	44
14. Jaundice.....	5	1	1	1	2	2	3	1	1	17
15. Liver Disease, &c.....	3	...	1	1	...	2	2	4	6	3	5	9	11	5	4	3	3	62
16. Spleen Disease, &c.....	1	...	1	2
	99	24	9	8	4	13	6	6	9	8	17	27	17	24	24	26	19	24	14	13	...	391
ORDER 5.																						
1. Nephritis.....	1	6	1	1	3	3	...	2	...	1	2	20
2. Ischuria.....	1	1	2
3. Nephria.....	...	1	...	1	2	5	4	6	6	3	2	7	3	3	43
4. Diabetes.....	1	1	1	1	1	5
5. Stone.....	2	1	1	1	1	2	...	7
6. Cystitis.....	1	...	1	1	1	1	1	1	2	22
7. Kidney Disease, &c.....	...	1	...	1	...	1	1	1	1	1	...	3	...	4	3	4	3	3	2	6	...	32
	1	8	...	1	1	...	1	2	2	3	8	7	14	8	10	10	17	16	10	12	...	131
ORDER 7.																						
1. Arthritis.....	2	1	2	5
1a Ostitis, Periostitis, &c.	1	1
2. Joint Disease, &c.....	2	1	...	1	2	6
ORDER 8.																						
1. Phlegmon.....	1	1
2. Ulcer.....	1	...	2	1	...	4
3. Skin Disease, &c.....	3	1	4
	3	1	1	...	2	...	1	1	9
Total Class III.....	513	149	62	33	20	55	26	37	39	63	83	97	127	136	133	142	151	139	100	114	8	2227

D 2.

DEATHS from all causes, of FEMALES, at different ages, registered in NEW SOUTH WALES, from 1st January to 31st December, 1877.

CAUSES OF DEATH.	Under 1 year.	1 to 2 years.	2 to 3 years.	3 to 4 years.	4 to 5 years.	5 to 10 years.	10 to 15 years.	15 to 20 years.	20 to 25 years.	25 to 30 years.	30 to 35 years.	35 to 40 years.	40 to 45 years.	45 to 50 years.	50 to 55 years.	55 to 60 years.	60 to 65 years.	65 to 70 years.	70 to 75 years.	75 years and upwards.	Ages not specified.	Total.
CLASS I.—ORDER I.																						
1. Small-pox.....	1	...	3	4
1a. Chicken-pox	1	1
2. Measles	55
3. Scarlatina.....	1	9	1	11	3	17	8	2	1	...	2	7
3a. Diphtheria	9	18	16	12	14	31	14	3	...	1	1	120
4. Quinsy	1	...	1	1	1	2	...	1	1	...	7
5. Croup	10	23	18	11	11	21	1	95
6. Whooping-cough	11	2	2	1	2	18
7. Typhoid (and Infantile Fever).	13	10	6	4	5	27	20	24	32	12	8	7	7	5	1	1	4	1	2	189
8. Erysipelas	5	1	2	3	...	2	2	1	...	3	1	1	21
9. Metria	3	5	...	5	...	1	14
10. Carbuncle	1	...	1	...	1
11. Influenza	4	3	1	1	1	...	1	1	1	...	12
12. Dysentery	22	13	3	1	...	2	1	...	1	...	1	1	1	...	1	...	5	2	1	2	...	57
13. Diarrhoea	152	54	11	1	2	3	1	2	1	...	4	5	1	7	4	3	10	...	261
14. Cholera	23	4	1	...	1	1	1	1	1	1	1	1	1	36
15. Ague	1	1	2
16. Remittent Fever.....	2	4	3	2	...	2	1	1	1	16
17. Rheumatism	2	1	4	1	1	2	2	1	1	1	1	3	23
18. Pyæmia	2	1	...	1	1	1	1	7
	256	141	63	43	41	109	51	39	39	23	19	18	9	13	10	6	19	9	13	16	1	938
ORDER 2.																						
1. Syphilis	2	1	1	1	1	1	7
2. Stricture of the Urethra
3. Hydrophobia
4. Glanders
	2	1	1	1	1	1	7
ORDER 3.																						
1. Privation
2. Want of Breast Milk...	43	4	47
3. Purpura and Scurvy	1	1	2
4. Alcoholism— a. Del. Tremens..... b. Intemperance.....	1	4	2	2	3	...	3	1	3	1	1	1
	43	5	1	...	1	4	3	2	3	...	3	1	3	1	1	21
ORDER 4.																						
1. Thrush	22	1	23
2. Worms, &c.	1	...	1	2
2a. Hydatid	1	1	...	1	...	1	1	5
	22	2	...	1	...	1	...	1	...	1	1	30
Total Class I.	323	149	64	44	41	110	53	39	42	28	23	20	12	14	14	7	22	10	14	16	1	1,046
CLASS II.—ORDER 1.																						
1. Gout	1	1	1	4
2. Dropsy	4	2	3	2	...	2	2	3	6	8	...	6	4	3	3	6	1	...	61
3. Cancer	1	1	...	1	3	6	7	7	...	4	15	6	5	1	5	8	65
3a. Tumour	1	1	2	1	1	3	...	2	2	1	16
3b. Polypus
4. Noma
5. Mortification	1	...	1	1	1	...	1	5
	4	3	...	1	...	5	3	2	2	4	8	10	15	18	10	22	12	10	7	15	...	151
ORDER 2.																						
1. Scrofula	6	1	1	2	1	1	1	1	14
2. Tabes Mesenterica	48	25	7	2	2	84
3. Phthisis	4	2	2	1	3	16	18	40	27	36	22	14	17	13	4	4	2	...	1	226
3a. Hæmoptysis	1	1	1	3
4. Hydrocephalus	7	6	3	1	2	1	20
5. Abscess	1	1	2
	65	34	13	3	5	2	5	18	18	40	29	36	23	14	17	14	5	5	2	349
Total Class II	69	37	13	4	5	7	8	20	20	44	37	46	38	32	27	36	17	15	9	15	1	500

D 2—continued.

CAUSES OF DEATH.	Under 1 year.	1 to 2 years.	2 to 3 years.	3 to 4 years.	4 to 5 years.	5 to 10 years.	10 to 15 years.	15 to 20 years.	20 to 25 years.	25 to 30 years.	30 to 35 years.	35 to 40 years.	40 to 45 years.	45 to 50 years.	50 to 55 years.	55 to 60 years.	60 to 65 years.	65 to 70 years.	70 to 75 years.	75 years and upwards.	Ages not specified	Total.
CLASS III.—ORDER 1.																						
1. Cephalitis.....	36	16	2	...	2	6	2	2	2	2	1	71
2. Apoplexy.....	1	...	4	4	6	7	7	7	8	11	4	5	4	...	68
3. Paralysis.....	...	2	3	3	3	4	3	3	7	9	11	8	8	...	64
4. Insanity.....	1	...	1	3	1	1	1	1	1	1	1	...	11
5. Chorea.....	1	1	2
6. Epilepsy.....	...	1	1	1	2	3	2	3	1	2	1	2	1	1	...	1	22
7. Convulsions.....	198	38	8	1	1	1	247
8. Brain Disease, &c.....	4	1	2	1	1	2	2	1	2	2	3	2	3	2	...	28
	238	58	11	1	3	8	7	9	5	15	13	13	15	15	15	19	24	16	13	15	...	513
ORDER 2.																						
1. Pericarditis.....	1	1	3	5
2. Aneurism.....	1	1	2	1	1	1	...	6
3. Heart Disease, &c.....	2	1	1	...	3	6	8	11	4	4	8	10	12	18	16	15	16	12	7	7	...	161
	2	1	1	...	3	6	9	11	4	4	8	13	13	19	17	15	15	12	10	8	...	172
ORDER 3.																						
1. Laryngitis.....	3	2	1	3	...	3	1	1	2	16
2. Bronchitis.....	57	30	11	6	4	9	2	1	...	1	3	4	3	1	6	10	6	8	11	7	...	180
3. Pleurisy.....	1	...	3	...	2	3	1	2	12
4. Pneumonia.....	45	12	7	4	2	3	5	6	4	8	8	6	3	7	5	4	3	9	3	7	...	151
4a. Congestion of the Lungs—Pulmonary...	14	5	4	2	2	1	1	2	1	1	2	3	1	...	1	41
5. Asthma.....	1	1	3	1	6
6. Lung Disease, &c.....	1	2	1	1	1	1	2	1	1	2	15
	120	51	19	13	10	18	12	8	7	11	15	17	8	11	15	20	15	22	14	15	...	421
ORDER 4.																						
1. Gastritis.....	17	11	1	2	2	...	1	1	...	1	1	...	1	1	...	2	1	42
2. Enteritis.....	38	13	1	3	1	5	2	10	...	6	5	2	3	3	5	2	3	1	1	3	...	107
3. Peritonitis.....	...	2	2	1	3	2	3	3	2	...	1	1	2	3	25
4. Ascites.....	1	1	1	1	1	7
5. Ulceration of Intestines	...	1	1	1	2	...	1	2	8
6. Hernia.....	2	...	1	3
7. Ileus.....	1	1	1	...	1	...	1	2	2	3	3	2	17
8. Intussusception.....	2	1	...	1	4
9. Stricture of Intestines..	1	1	2
10. Fistula.....
11. Stomach Disease, &c....	4	1	1	3	1	1	1	12
12. Pancreas Disease, &c....	1	3	3	3	4	2	6	3	5	1	1	...	1
13. Hepatitis.....	1	1	...	1	1	1	1	1	2	32
14. Jaundice.....	6	1	1	...	1	1	1	1	1	1	2	15
15. Liver Disease, &c.....	1	1	1	...	2	1	3	6	11	7	6	2	2	4	2	2	51
16. Spleen Disease, &c.....
	71	30	2	5	3	7	8	14	7	11	17	16	23	19	18	19	18	21	10	7	...	326
ORDER 5.																						
1. Nephritis.....	...	2	2	...	1	...	1	3	2	11
2. Ischuria.....	1	1
3. Nephria.....	...	1	1	2	1	3	2	3	3	...	1	5	1	...	1	24
4. Diabetes.....	1	1	2
5. Stone.....	1	1	2
6. Cystitis.....	1	1	1	1	1	1	1	6
7. Kidney Disease, &c.....	...	1	1	1	...	1	1	1	2	1	1	1	...	1	...	1	...	12
	2	4	...	1	1	3	3	5	5	5	5	7	6	5	5	2	2	2	...	58
ORDER 6.																						
1. Ovarian Dropsy.....	2	1	1	4
2. Uterus Disease, &c.....	1	1	1	1	4
	1	2	1	1	1	1	1	8
ORDER 7.																						
1. Arthritis.....	1	1
1a. Ostitis, Periostitis, &c.	1	1	1
2. Joint Disease, &c.....	1	1	3
	3	1	1	5
ORDER 8.																						
1. Phlegmon.....	1	1	2
2. Ulcer.....	1	1	...	1	1	4
3. Skin Disease, &c.....	1	1	1
	1	1	1	1	...	1	2	7
Total, Class III.	433	144	33	20	19	39	39	44	26	45	61	65	65	73	72	80	79	75	51	47	...	1510

D 2—continued.

CAUSES OF DEATH.	Under 1 year.	1 to 2 years.	2 to 3 years.	3 to 4 years.	4 to 5 years.	5 to 10 years.	10 to 15 years.	15 to 20 years.	20 to 25 years.	25 to 30 years.	30 to 35 years.	35 to 40 years.	40 to 45 years.	45 to 50 years.	50 to 55 years.	55 to 60 years.	60 to 65 years.	65 to 70 years.	70 to 75 years.	75 years and upwards.	Ages not specified.	Total.
CLASS IV.—ORDER 1.																						
1. Premature Birth.....	93	93
2. Cyanosis	6	6
3. Spina Bifida.....	2	2
4. Other Malformations...	9	9
5. Teething	92	70	162
	202	70	272
ORDER 2.																						
1. Paramenia	2	1	3
2. Childbirth (Sec Metria)	6	18	18	25	18	12	2	99
	8	18	18	25	18	13	2	102
ORDER 3.																						
1. Old Age	16	22	28	85	...	151
ORDER 4.																						
1. Atrophy and Debility...	211	23	2	1	237
Total, Class IV.....	413	93	2	1	8	18	18	25	18	13	2	16	22	28	85	...	762	
CLASS V.—ORDER 1.—																						
ACCIDENT OR NEGLIGENCE.																						
1. Fractures & Contusions	1	...	2	1	1	7	2	1	...	1	...	1	1	1	1	...	2	2	1	2	...	27
2. Wounds { a Gunshot...	3	1	4
3. Burns and Scalds	1	3	5	6	4	7	4	2	4	4	1	1	1	...	1	1	1	1	1	47
3a. Sunstroke	1	...	1	1	1	2	9
4. Poison	1	2	...	1	1	...	2	1	...	1	9
4a. Bite of Snake or Insect	...	5	6	...	1	2	5	1	2	...	1	1	1	2	...	1	29
5. Drowning.....	6	1	1	8
6. Suffocation
7. Otherwise.....
	13	11	14	9	6	16	11	5	7	5	6	4	3	4	2	3	4	2	3	4	1	133
ORDER 2.—VIOLENT DEATHS																						
IN BATTLE.																						
1. Gunshot Wounds
2. Sword and Bayonet Wounds
3. Otherwise
ORDER 3.—HOMICIDE.																						
Murder and Manslaughter	3	2	1	6
ORDER 4.—SUICIDE.																						
1. Wounds { Gunshot	1	1
2. Poison	1	1	2
3. Drowning.....	1	...	1	2
4. Hanging	1	1	2
5. Otherwise.....
	1	...	1	1	2	...	1	...	1	7
ORDER 5.—EXECUTION.																						
1. Hanging
Violent Deaths (not classed), Found drowned, &c.	1	1
Total, Class V	16	11	14	9	6	16	13	5	8	5	7	5	6	4	4	3	5	2	3	4	1	147
Sudden Deaths (cause unascertained)
Causes not specified or ill-defined	1	3	1	2	1	1	3	3	2	1	9	27
GRAND TOTALS	1254	434	126	78	72	175	114	118	115	140	153	155	137	128	119	127	139	124	105	167	12	3992

D 3.

DEATHS from all Causes, of BOTH SEXES, at different ages, registered in NEW SOUTH WALES, from 1st January to 31st December, 1878.

CAUSES OF DEATH.	Under 1 year.	1 to 2 years.	2 to 3 years.	3 to 4 years.	4 to 5 years.	5 to 10 years.	10 to 15 years.	15 to 20 years.	20 to 25 years.	25 to 30 years.	30 to 35 years.	35 to 40 years.	40 to 45 years.	45 to 50 years.	50 to 55 years.	55 to 60 years.	60 to 65 years.	65 to 70 years.	70 to 75 years.	75 years and upwards.	Ages not specified.	Total.
CLASS I.—ORDER 1.																						
1. Small-pox	1	...	3	4
1a. Chicken-pox	1	1	2
2. Measles	1	2
3. Scarlatina	3	14	10	20	5	24	10	3	1	1	2	1	94
3a. Diphtheria	19	30	25	22	22	58	19	5	...	1	1	1	1	1	205
4. Quinsy	1	3	1	1	1	3	...	1	11
5. Croup	32	46	42	33	24	42	1	220
6. Whooping-cough	19	6	2	1	2	1	31
7. Typhoid (and Infantile Fever).	22	22	12	8	10	41	34	49	52	31	27	16	16	10	3	6	8	2	2	2	2	375
8. Erysipelas	16	1	2	3	...	2	2	...	1	...	3	1	3	...	4	1	1	40
9. Metria	3	5	...	5	...	1	14
10. Carbuncle	1
11. Influenza	15	4	1	2	1	1	1	...	3	2	4	3	...	37
12. Dysentery	57	29	7	2	1	4	2	1	2	2	3	2	4	7	6	4	9	6	5	7	2	162
13. Diarrhoea	336	113	17	3	3	4	...	1	...	2	4	4	4	12	10	7	17	13	12	24	...	586
14. Cholera	45	8	2	2	1	3	1	1	3	5	2	1	2	2	78
15. Ague	1	1	2	1	...	1	6
16. Remittent Fever	5	4	3	1	...	3	...	2	1	1	1	1	22
17. Rheumatism	1	2	5	5	3	2	4	4	4	3	3	6	4	1	5	3	3	...	58
18. Pyæmia	3	1	...	1	1	...	2	1	11
	576	281	122	96	71	191	75	72	62	49	50	40	28	40	31	25	41	30	32	42	5	1959
ORDER 2.																						
1. Syphilis	8	3	1	1	1	1	2	...	1	18
2. Stricture of the Urethra	1	2	1	2	1	1	8
3. Hydrophobia
4. Glanders
	8	3	1	1	1	1	1	4	1	3	1	1	26
ORDER 3.																						
1. Privation	1	...	1	1	1	3	...	3	5	2	4	3	1	1	6	32
2. Want of Breast Milk	92	7	2	2	1	1	1	...	99
3. Purpura and Scurvy	1	2	1	1	13
4. Alcoholism— a. Del. Tremens b. Intemperance	2	7	11	15	12	9	13	9	9	5	1	...	15 94
	93	9	1	2	...	3	8	15	23	17	15	20	11	14	9	4	2	7	253
ORDER 4.																						
1. Thrush	39	1	40
2. Worms, &c.	...	2	...	2	...	1	1	6
2a. Hydatid	1	2	...	1	2	1	1	...	2	1	...	1	12
	39	3	...	2	...	2	2	...	1	2	2	1	...	2	1	...	1	58
Total Class I.	716	296	123	98	71	194	79	73	67	60	67	64	45	58	56	37	59	40	37	44	12	2296
CLASS II.—ORDER 1.																						
1. Gout	2	2	2	3	...	1	10
2. Dropsy	7	5	2	5	4	1	3	3	4	5	11	15	17	8	12	10	15	14	...	141
3. Cancer	1	...	1	1	1	8	10	13	13	18	30	23	17	9	22	...	167
3a. Tumour	1	2	1	1	1	...	5	4	3	3	2	7	2	3	1	36
3b. Polypus	1	1
4. Noma
5. Mortification	...	1	1	1	1	2	3	1	2	5	...	18
	8	6	1	1	2	8	5	4	5	5	17	21	29	32	37	47	42	34	26	43	...	373
ORDER 2.																						
1. Scrofula	12	1	2	3	3	4	2	1	1	3	1	33
2. Tabes Mesenterica	97	58	12	3	6	...	1	177
3. Phthisis	10	5	2	1	1	3	4	33	56	91	69	83	63	52	45	32	15	8	6	3	3	585
3a. Hæmoptysis	1	1	3	2	1	2	1	...	1	12
4. Hydrocephalus	25	10	4	2	3	1	45
5. Abscess	1	...	1	1	1	4
	144	74	20	6	11	7	9	38	58	91	71	87	66	53	47	34	18	10	6	3	3	856
Total Class II	152	80	21	7	13	15	14	42	63	96	88	108	95	85	84	81	60	44	32	46	3	1229

D 3—continued.

CAUSES OF DEATH.	Under 1 year.	1 to 2 years.	2 to 3 years.	3 to 4 years.	4 to 5 years.	5 to 10 years.	10 to 15 years.	15 to 20 years.	20 to 25 years.	25 to 30 years.	30 to 35 years.	35 to 40 years.	40 to 45 years.	45 to 50 years.	50 to 55 years.	55 to 60 years.	60 to 65 years.	65 to 70 years.	70 to 75 years.	75 years and upwards.	Ages not specified.	Total.
CLASS III.—ORDER 1.																						
1. Cephalitis.....	64	37	9	3	4	14	3	7	3	2	5	1	2	2	...	2	...	1	2	...	1	162
2. Apoplexy.....	1	...	2	1	6	9	11	18	20	18	27	19	13	11	13	2	171
3. Paralysis.....	...	2	1	1	...	1	1	9	7	9	15	16	13	15	22	23	20	21	...	176
4. Insanity.....	1	...	6	8	5	5	3	8	5	7	3	1	6	...	58
5. Chorea.....	3	1	1	5
6. Epilepsy.....	2	1	1	1	...	5	5	4	4	4	5	5	1	4	4	3	4	3	1	57
7. Convulsions.....	402	71	21	3	2	3	502
8. Brain Disease, &c.....	12	3	1	...	2	...	6	1	7	4	6	3	7	10	8	13	12	8	6	5	...	114
	480	114	32	7	9	24	17	17	16	31	40	34	48	55	51	65	64	52	40	45	4	1245
ORDER 2.																						
1. Pericarditis.....	1	2	...	1	1	...	2	1	1	...	3	12
2. Aneurism.....	1	...	1	1	3	3	9	4	4	4	4	4	2	3	2	...	41
3. Heart Disease, &c.....	6	1	2	...	4	9	13	21	9	12	19	33	37	46	36	38	47	34	25	32	1	425
	6	1	3	...	4	9	14	21	10	15	22	37	47	50	42	43	52	36	31	34	1	478
ORDER 3.																						
1. Laryngitis.....	3	3	2	8	2	4	1	...	1	1	1	1	2	29
2. Bronchitis.....	144	63	28	11	8	17	3	1	1	4	5	6	4	5	13	20	18	24	20	27	1	423
3. Pleurisy.....	2	1	1	...	1	...	1	6	...	5	5	5	1	1	1	3	4	1	1	1	...	36
4. Pneumonia.....	92	28	15	8	3	12	7	13	9	23	13	15	22	30	25	15	17	24	12	14	1	398
4a. Congestion of the Lungs—Pulmonary...	41	15	3	4	4	2	3	...	4	2	4	3	1	2	3	6	2	4	4	107
5. Asthma.....	1	...	2	1	1	2	4	5	8	2	1	2	...	1	...	30
6. Lung Disease, &c.....	2	2	3	1	3	2	2	5	4	4	1	6	2	3	7	2	1	...	50
	284	112	49	31	18	38	16	19	18	36	32	35	37	43	52	51	50	61	41	47	3	1073
ORDER 4.																						
1. Gastritis.....	40	21	5	2	3	2	1	1	...	1	1	...	1	1	1	...	2	1	4	2	...	89
2. Enteritis.....	84	24	5	6	3	12	5	14	2	7	8	8	6	11	9	6	5	3	2	3	...	223
3. Peritonitis.....	5	2	...	1	1	1	2	3	6	4	6	4	3	1	2	2	4	3	1	51
4. Ascites.....	1	1	1	2	1	2	1	1	1	11
5. Ulceration of Intestines	1	2	2	1	5	1	...	4	2	2	1	21
6. Hernia.....	1	1	...	1	2	1	2	...	2	2	...	12
7. Ileus.....	10	1	1	...	1	...	1	3	2	3	...	2	3	5	4	36
8. Intussusception.....	5	...	1	2	...	2	...	1	1	1	11
9. Stricture of Intestines..	1	1	2	2	2	8
10. Fistula.....
11. Stomach Disease, &c.....	8	1	2	2	2	4	4	5	1	2	...	31
12. Pancreas Disease, &c.....	1	1
13. Hepatitis.....	3	1	1	1	...	2	3	5	9	6	9	8	8	4	10	1	5	76
14. Jaundice.....	11	2	1	1	...	1	1	2	...	1	1	2	2	5	1	1	32
15. Liver Disease, &c.....	1	1	...	3	...	1	2	...	4	3	7	12	14	12	15	13	7	8	5	5	...	113
16. Spleen Disease, &c.....	1	...	1	2
	170	64	11	13	7	20	14	20	16	19	34	43	40	43	42	45	37	45	24	20	...	717
ORDER 5.																						
1. Nephritis.....	1	8	1	...	2	1	4	3	1	5	2	1	2	31
2. Ischuria.....	1	1	1	1	3
3. Nephria.....	...	2	...	1	1	2	3	8	6	9	3	3	12	4	3	1	67
4. Diabetes.....	1	1	2	1	1	1	7
5. Stone.....	1	...	2	1	1	2	2	...	9
6. Cystitis.....	1	1	1	1	1	1	3	2	1	3	5	4	4	28
7. Kidney Disease, &c.....	...	2	...	1	1	...	1	2	...	2	1	5	1	5	5	4	4	4	2	7	...	44
	3	12	...	2	1	...	1	3	5	6	13	12	19	15	16	15	22	18	12	14	...	189
ORDER 6.																						
1. Ovarian Dropsy.....	2	1	1	4
2. Uterus Disease, &c.....	1	1	1	1	4
	1	2	1	1	1	1	1	8
ORDER 7.																						
1. Arthritis.....	2	1	1	2	6
1a. Ostitis, Periostitis, &c.	1	1
2. Joint Disease, &c.....	1	1	1	...	1	4
	2	3	1	1	...	2	2	11
ORDER 8.																						
1. Phlegmon.....	1	1	1	3
2. Ulcer.....	2	1	2	1	1	1	8
3. Skin Disease, &c.....	3	2	5
	3	1	1	1	2	1	2	1	3	1	16
Total, Class III.....	946	293	95	53	39	94	65	81	65	108	144	162	192	209	205	222	230	214	151	161	8	3737

D 3—continued.

CAUSES OF DEATH.	Under 1 year.	1 to 2 years.	2 to 3 years.	3 to 4 years.	4 to 5 years.	5 to 10 years.	10 to 15 years.	15 to 20 years.	20 to 25 years.	25 to 30 years.	30 to 35 years.	35 to 40 years.	40 to 45 years.	45 to 50 years.	50 to 55 years.	55 to 60 years.	60 to 65 years.	65 to 70 years.	70 to 75 years.	75 years and upwards.	Ages not specified.	Total.
CLASS IV.—ORDER 1.																						
1. Premature Birth.....	219	219
2. Cyanosis.....	11	11
3. Spina Bifida.....	8	8
4. Other Malformations...	27	27
5. Teething.....	177	178	355
	442	178	620
ORDER 2.																						
1. Paramenia.....	2	1	3
2. Childbirth (See Metria)	6	18	18	25	18	12	2	99
	8	18	18	25	18	13	2	102
ORDER 3.																						
1. Old Age.....	1	62	66	104	268	501
ORDER 4.																						
1. Atrophy and Debility...	491	47	5	1	544
Total, Class IV.	933	225	5	1	8	18	18	25	18	13	2	...	1	62	66	104	268	...	1,767
CLASS V.—ORDER 1.— ACCIDENT OR NEGLIGENCE.																						
1. Fractures & Contusions.	4	1	6	4	4	20	22	11	12	24	23	29	21	20	21	10	10	16	9	6	3	276
2. Wounds { a Gunshot...	...	1	1	1	...	1	1	1	6
{ b Cuts.....	3	1	...	1	3	...	2	...	1	...	1	12
3. Burns and Scalds.....	6	7	6	8	6	7	7	2	6	...	6	1	3	1	2	1	1	1	1	3	3	77
3a. Sunstroke.....	1	2	1	1	1	2	1	2	4	5	2	1	2	3	1	...	1	1	1	32
4. Poison.....	1	3	1	1	1	...	4	1	...	3	...	1	1	1	18
4a. Bite of Snake or Insect	1	2	3
5. Drowning.....	1	9	16	...	4	17	14	9	12	15	18	13	14	10	10	5	7	5	2	1	10	192
6. Suffocation.....	13	2	1	2	2	3	1	...	1	3	...	1	1	30
7. Otherwise.....	1	1	2
	30	25	31	14	15	48	47	25	36	50	52	52	45	36	37	21	20	23	12	11	18	648
ORDER 2.—VIOLENT DEATHS IN BATTLE.																						
1. Gunshot Wounds.....
2. Sword and Bayonet
Wounds.
3. Otherwise.....

ORDER 3.—HOMICIDE. Murder and Manslaughter	7	2	...	1	2	2	1	3	...	2	1	21
ORDER 4.—SUICIDE.																						
1. Wounds { Gunshot	4	...	1	1	1	1	...	1	...	9
{ Cut, Stab, &c.	1	1	1	1	3	1	1	2	...	1	1	12
2. Poison.....	1	1	1	2	2	1	1	1	11
3. Drowning.....	1	1	1	1	1	1	1	1	...	4	10
4. Hanging.....	1	1	2	3	...	2	1	1	1	1	12
5. Otherwise.....	1	1	2	...	1	1	6
	1	2	1	8	7	8	4	8	5	4	9	...	2	1	...	60
ORDER 5.—EXECUTION.																						
1. Hanging.....	1	1
Violent Deaths (not classed), (Found drowned, &c.)	1	1	2	1	2	3	2	...	2	1	15
Total, Class V.....	38	25	31	14	15	48	49	27	41	54	65	63	58	40	49	28	24	32	12	13	19	745
Causes not specified or ill- defined.	...	1	1	...	1	3	4	2	2	3	4	6	11	12	10	6	3	2	24	95
GRAND TOTALS	2,785	920	276	173	139	354	211	233	256	339	393	421	414	406	404	375	438	398	336	532	66	9,869

E 1.

DEATHS from all causes, of MALES at different ages, registered in SYDNEY, from 1st January to 31st December, 1877.

CAUSES OF DEATH.	Under 1 year.	1 to 2 years.	2 to 3 years.	3 to 4 years.	4 to 5 years.	5 to 10 years.	10 to 15 years.	15 to 20 years.	20 to 25 years.	25 to 30 years.	30 to 35 years.	35 to 40 years.	40 to 45 years.	45 to 50 years.	50 to 55 years.	55 to 60 years.	60 to 65 years.	65 to 70 years.	70 to 75 years.	75 years and upwards.	Ages not specified.	Total.
CLASS I.—ORDER 1.																						
1. Small-pox
1a. Chicken-pox
2. Measles
3. Scarletina	3	...	1	4
3a. Diphtheria	2	1	...	2	1	2	8
4. Quinsy	...	1	1
5. Croup	1	2	1	3	1	1	9
6. Whooping-cough	6	3	9
7. Typhoid (and Infantile Fever).	1	3	...	1	...	2	3	4	2	4	1	1	2	1	1	1	1	28
8. Erysipelas	6	7
9. Metria
10. Carbuncle
11. Influenza
12. Dysentery	2	1	1	1	1	1	1	8
13. Diarrhoea	48	15	2	...	1	1	3	2	4	1	4	2	2	1	86
14. Cholera	4	1	...	2	1	1	9
15. Ague	1	1
16. Remittent Fever	1
17. Rheumatism	1	1	5
18. Pyemia
	70	27	3	11	3	7	3	4	2	6	4	2	6	6	6	4	5	3	2	1	...	175
ORDER 2.																						
1. Syphilis	2	1	1	4
2. Stricture of the Urethra	1	...	1	1	3
3. Hydrophobia
4. Glanders
	2	1	2	...	1	1	7
ORDER 3.																						
1. Privation
2. Want of Breast Milk	17	1	18
3. Purpura and Scurvy	1	1	1	1	4
4. Alcoholism—
a. Del. Tremens	1	4	6	5	...	3	2	3	2	2
b. Intemperance	1	4	6	5	...	3	2	3	2	26
	18	1	1	4	7	6	...	4	2	4	3	50
ORDER 4.																						
1. Thrush	2	2
2. Worms, &c.	1	1
2a. Hydatid	1	1	2
	2	1	1	1	5
Total Class I.	92	29	3	11	3	7	3	4	2	7	9	10	12	6	13	6	10	7	2	1	...	237
CLASS II.—ORDER 1.																						
1. Gout	1	1
2. Dropsy	1	1	1	1	1	1	2	1	6	1	3	3	3	2	27
3. Cancer	14
3a. Tumour	1	2	1	1	2	6	1	1	1	6
3b. Polypus	1	1
4. Noma
5. Mortification	1	1
	1	1	1	1	...	1	...	1	3	4	2	9	4	9	5	4	3	49
ORDER 2.																						
1. Scrofula	1	2	1	4
2. Tabes Mesenterica	9	4	2	1	2	18
3. Phthisis	2	8	10	22	15	12	9	7	3	3	2	1	94
3a. Hemoptysis	2	1	1	1	5
4. Hydrocephalus	3	1	4
5. Abscess	1	1	2
	14	5	2	1	2	...	2	10	11	22	15	15	10	8	4	3	2	1	127
Total Class II	15	5	2	1	3	1	3	10	12	22	16	18	14	10	13	7	11	6	4	3	...	176

E 1—continued.

CAUSES OF DEATH.	Under 1 year.	1 to 2 years.	2 to 3 years.	3 to 4 years.	4 to 5 years.	5 to 10 years.	10 to 15 years.	15 to 20 years.	20 to 25 years.	25 to 30 years.	30 to 35 years.	35 to 40 years.	40 to 45 years.	45 to 50 years.	50 to 55 years.	55 to 60 years.	60 to 65 years.	65 to 70 years.	70 to 75 years.	75 years and upwards.	Ages not specified.	Total.
CLASS III.—ORDER 1.																						
1. Cephalitis	5	8	1	1	1	2	1	1	1	2	3	3	1	5	4	4	1	3	1	20
2. Apoplexy	1	1	1	2	3	2	1	2	4	2	...	1	29
3. Paralysis	1	1	1	2	3	2	1	2	4	2	15
4. Insanity	1	1
5. Chorea
6. Epilepsy	1	2	1	...	1	5
7. Convulsions	30	7	1	1	...	2	1	3	2	3	1	1	...	41
8. Brain Disease, &c.	2	4	...	1	...	2	1	1	3	2	3	1	1	...	21
	37	15	2	2	1	4	1	...	4	3	4	4	7	7	6	10	8	8	4	4	1	132
ORDER 2.																						
1. Pericarditis	2	1	3
2. Aneurism	1	1	2	...	3	...	1	1	2	10
3. Heart Disease, &c.	2	2	1	3	...	5	7	4	3	6	6	1	3	1	...	44
	2	2	2	6	2	5	10	4	4	7	8	1	3	1	...	57
ORDER 3.																						
1. Laryngitis	2	1	3
2. Bronchitis	13	4	2	...	1	2	1	...	1	1	2	2	3	2	4	2	5	1	46
3. Pleurisy	1	1	...	1	1	1	...	4
4. Pneumonia	4	3	1	...	1	...	3	2	1	5	4	8	1	2	2	37
4a. Congestion of the Lungs—Pulmonary.	9	2	...	4	1	1	...	17
5. Asthma	1	1
6. Lung Disease, &c.	1	2	1	1	5
	28	9	2	6	1	3	...	1	...	6	5	2	6	6	12	4	5	7	2	7	1	113
ORDER 4.																						
1. Gastritis	10	4	2	1	17
2. Enteritis	4	...	2	1	1	1	1	1	11
3. Peritonitis	1	2	...	1	1	1	1	1	...	1	...	2	10
4. Ascites	1	1
5. Ulceration of Intestines	1	1	1	3
6. Hernia
7. Ileus	1	1
8. Intussusception	1	1
9. Stricture of Intestines	1	1
10. Fistula
11. Stomach Disease, &c.	2	1	1	4
12. Pancreas Disease, &c.
13. Hepatitis	1	2	...	3	1	2	1	1	1	12
14. Jaundice	1	1	1	3
15. Liver Disease &c.	1	...	1	1	1	1	2	1	2	10
16. Spleen Disease, &c.
	20	5	4	2	1	3	1	2	1	4	3	4	3	4	5	2	5	3	1	1	...	74
ORDER 5.																						
1. Nephritis	3	1	1	...	1	6
2. Ischuria
3. Nephria	1	2	2	3	4	3	1	4	1	21
4. Diabetes	1	1	...	1	3
5. Stone
6. Cystitis	1	1	1	...	1	4
7. Kidney Disease, &c.	1	1	...	2	1	1	1	1	8
	...	3	1	...	1	4	2	4	5	7	4	6	4	1	42
ORDER 6.																						
1. Ovarian Dropsy
2. Uterus Disease, &c.
ORDER 7.																						
1. Arthritis	1	1
1a. Ostitis, Periostitis, &c.
2. Joint Disease, &c.	1	1
	1	...	1	2
ORDER 8.																						
1. Phlegmon
2. Ulcer	1	1
3. Skin Disease, &c.
	1	1
Total, Class III	87	32	8	10	3	10	2	6	7	20	18	17	30	27	34	28	33	23	11	13	2	421

E 1—continued.

CAUSES OF DEATH.	Under 1 year.	1 to 2 years.	2 to 3 years.	3 to 4 years.	4 to 5 years.	5 to 10 years.	10 to 15 years.	15 to 20 years.	20 to 25 years.	25 to 30 years.	30 to 35 years.	35 to 40 years.	40 to 45 years.	45 to 50 years.	50 to 55 years.	55 to 60 years.	60 to 65 years.	65 to 70 years.	70 to 75 years.	75 years and upwards.	Ages not specified.	Total.
CLASS IV.—ORDER 1.																						
1. Premature Birth.....	26	26
2. Cyanosis.....	2	2
3. Spina Bifida.....	1	1
4. Other Malformations.....	3	5
5. Teething.....	11	16	27
	45	16	61
ORDER 3.																						
1. Old Age.....	1	3	4	10	8	...	26
ORDER 4.																						
1. Atrophy and Debility...	62	6	1	69
Total, Class IV.	107	22	1	1	3	4	10	8	...	156
CLASS V.—ORDER 1.—																						
ACCIDENT OR NEGLIGENCE.																						
1. Fractures & Contusions	2	3	4	...	2	3	2	4	...	3	4	1	1	1	2	32
2. Wounds { a Gunshot...	1	1
b Cuts	1	1	...	1	3
3. Burns and Scalds.....	1	2
3a. Sunstroke.....	1
4. Poison.....	1
4a. Bite of Snake or Insect	1
5. Drowning.....	...	1	1	3	4	...	1	1	1	1	13
6. Suffocation.....	3	1	1	1	5
7. Otherwise.....
	3	1	3	3	7	1	5	7	3	5	1	4	5	3	1	1	3	56
ORDER 2.—VIOLENT DEATHS																						
IN BATTLE.																						
1. Gunshot Wounds.....
2. Sword and Bayonet Wounds.
3. Otherwise.....
ORDER 4.—HOMICIDE.																						
Murder & Manslaughter	2	1	3
ORDER 4.—SUICIDE.																						
1. Wounds { Gunshot.....	3	1	...	4
Cut, Stab, &c.	1	...	1
2. Poison.....	1	1
3. Drowning.....
4. Hanging.....	1	1	2
5. Otherwise.....
	1	...	1	3	1	2	8
ORDER 5.—EXECUTION.																						
1. Hanging.....
Violent Deaths (not classed), Found drowned, &c.	1	1	2	1	2	3	2	...	1	1	14
Total, Class V.	6	1	3	3	7	3	7	9	8	9	3	4	7	4	1	1	3	2	...	81
Causes not specified or ill-defined.	...	1	1	1	1	...	2	1	3	3	...	1	9	23
GRAND TOTALS.....	307	90	18	22	9	21	16	23	28	59	51	56	60	50	70	46	59	41	30	27	11	1094

E 2.

DEATHS from all causes of FEMALES, at different ages, registered in SYDNEY, from 1st January to 31st December, 1877.

CAUSES OF DEATH.	Under 1 year.	1 to 2 years.	2 to 3 years.	3 to 4 years.	4 to 5 years.	5 to 10 years.	10 to 15 years.	15 to 20 years.	20 to 25 years.	25 to 30 years.	30 to 35 years.	35 to 40 years.	40 to 45 years.	45 to 50 years.	50 to 55 years.	55 to 60 years.	60 to 65 years.	65 to 70 years.	70 to 75 years.	75 years and upwards.	Ages not specified	Total.
CLASS I.—ORDER 1.																						
1. Small-pox.....	1	...	3	4
1a. Chicken-pox
2. Measles.....
3. Scarlatina.....
3a. Diphtheria.....	3	2	2	2	...	2	1	12
4. Quinsy.....	1	1	2
5. Croup.....	1	5	1	1	8
6. Whooping-cough.....	3	1	1	...	1	6
7. Typhoid (and Infantile Fever).....	3	1	1	2	1	3	1	3	5	2	3	2	3	1	...	2	33
8. Erysipelas.....	1	1	...	2	4
9. Metria.....	2	2
10. Carbuncle.....
11. Influenza.....	1
12. Dysentery.....	1	1	1	4
13. Diarrhoea.....	39	12	2	...	1	2	3	...	4	1	3	4	...	71
14. Cholera.....	5	1	1	7
15. Ague.....
16. Remittent Fever.....
17. Rheumatism.....	2	...	1	1	1	...	1	...	1	...	7
18. Pyæmia.....	2	2
	57	21	7	4	4	8	4	7	8	4	4	3	4	2	4	2	6	2	6	5	...	162
ORDER 2.																						
1. Syphilis.....	2	1	1	1	5
2. Stricture of the Urethra.....
3. Hydrophobia.....
4. Glanders.....
	2	1	1	1	5
ORDER 3.																						
1. Privation.....
2. Want of Breast Milk.....	12	1	13
3. Purpura and Scurvy.....
4. Alcoholism— a. Del. Tremens..... b. Intemperance.....	1	3	1	2	1	...	1	...	1	...	1	11
	12	1	1	3	1	2	1	...	1	...	1	...	1	24
ORDER 4.																						
1. Thrush.....	1	1
2. Worms, &c.....	2
2a. Hydatid.....	1	1	3
	1	1	1	3
Total, Class I.....	72	22	7	4	4	8	5	7	10	8	6	5	5	2	6	2	7	2	7	5	...	194
CLASS II.—ORDER 1.																						
1. Gout.....	1	1	1	3
2. Dropsy.....	1	2	1	2	...	2	...	1	1	2	1	...	20
3. Cancer.....	3	1	3	...	4	...	2	1	1	4	...	19
3a. Tumour.....	1	1	1	3
3b. Polypus.....
4. Noma.....
5. Mortification.....	1	1	2
	1	2	...	1	...	1	3	...	2	...	1	4	4	7	2	5	4	2	3	5	...	47
ORDER 2.																						
1. Scrofula.....	1	2	1	1	1	6
2. Tabes Mesenterica.....	13	7	2	...	1	23
3. Phthisis.....	1	1	1	5	9	13	6	15	4	7	2	4	3	1	72
3a. Hæmoptysis.....	1	1
4. Hydrocephalus.....	1	1	1	3
	15	8	3	...	1	2	3	7	9	13	6	15	5	7	2	4	3	2	105
Total, Class II.....	16	10	3	1	1	3	6	7	11	13	7	19	9	14	4	9	7	4	3	5	...	152

E 2—continued.

CAUSES OF DEATH.	Under 1 year.	1 to 2 years.	2 to 3 years.	3 to 4 years.	4 to 5 years.	5 to 10 years.	10 to 15 years.	15 to 20 years.	20 to 25 years.	25 to 30 years.	30 to 35 years.	35 to 40 years.	40 to 45 years.	45 to 50 years.	50 to 55 years.	55 to 60 years.	60 to 65 years.	65 to 70 years.	70 to 75 years.	75 years and upwards.	Ages not specified.	Total.
CLASS III.—ORDER 1.																						
1. Cephalitis	17	8	1	4	1	4	1	4	3	3	4	6	1	3	30
2. Apoplexy	2	1	2	4	2	2	2	2	7	3	2	...	32
3. Paralysis	2	2	2	2	7	3	2	...	25
4. Insanity	1	1
5. Chorea	1
6. Epilepsy	1	1	1	...	1	...	2	...	1	7
7. Convulsions	26	8	2	1	...	1	38
8. Brain Disease, &c.	1	2	1	1	...	2	3	1	...	13
	43	18	3	1	1	5	...	2	...	6	6	6	4	8	7	6	11	8	6	5	...	146
ORDER 2.																						
1. Pericarditis	1	1	2
2. Aneurism	40
3. Heart Disease, &c.	2	3	2	2	2	2	2	3	4	4	2	5	7	1	1	...	42
	2	3	2	2	2	2	3	4	5	2	5	7	2	1	42
ORDER 3.																						
1. Laryngitis	1	1	1	3
2. Bronchitis	8	5	1	1	1	2	1	1	1	9	2	2	2	3	1	...	39
3. Pleurisy	1	4
4. Pneumonia	12	2	1	...	2	2	...	2	...	3	2	1	1	3	2	1	3	...	37
4a. Congestion of the Lungs—Pulmonary.	2	1	1	1	5
5. Asthma
6. Lung Disease, &c.	1	1	1	1	1	5
	24	9	1	...	3	4	...	2	1	4	4	4	2	6	1	11	5	4	4	4	...	93
ORDER 4.																						
1. Gastritis	4	3	1	1	...	9
2. Enteritis	3	2	1	1	2	...	1	1	...	11
3. Peritonitis	1	1	1	1	1	1	1	6
4. Ascites	1	1	2
5. Ulceration of Intestines	1	1
6. Hernia	1	1
7. Ileus	1	1	2	1	5
8. Intussusception	1	1	2
9. Stricture of Intestines.	1	1
10. Fistula	1
11. Stomach Disease, &c.	1	1
12. Pancreas Disease, &c.	1
13. Hepatitis	1	1	1	3	1	3	3	2	15
14. Jaundice	1	1	3	3	2	3	...	1	1	2
15. Liver Disease, &c.	1	1	1	3	3	2	3	...	1	1	2	...	18
16. Spleen Disease, &c.
	10	7	1	1	2	1	2	3	6	6	8	5	5	5	5	2	4	73
ORDER 5.																						
1. Nephritis	1	1	1	2	5
2. Ischuria
3. Nephria	1	1	1	1	1	1	1	1	2	9
4. Diabetes
5. Stone
6. Cystitis	1	1
7. Kidney Disease, &c.	1	1	2
	...	2	1	1	1	2	1	3	2	2	2	17
ORDER 6.																						
1. Ovarian Dropsy
2. Uterus Disease, &c.
ORDER 7.																						
1. Arthritis	1	1
1a. Ostitis, Periostitis, &c.	1
2. Joint Disease, &c.	1	1
	1	2
ORDER 8.																						
1. Phlegmon
2. Ulcer	1	1
3. Skin Disease, &c.
	1	1
Total, Class III	77	36	4	1	4	10	4	9	5	15	16	20	16	29	20	27	28	24	15	14	...	374

E 2—continued.

CAUSES OF DEATH.	Under 1 year.	1 to 2 years.	2 to 3 years.	3 to 4 years.	4 to 5 years.	5 to 10 years.	10 to 15 years.	15 to 20 years.	20 to 25 years.	25 to 30 years.	30 to 35 years.	35 to 40 years.	40 to 45 years.	45 to 50 years.	50 to 55 years.	55 to 60 years.	60 to 65 years.	65 to 70 years.	70 to 75 years.	75 years and upwards.	Ages not specified	Total.
CLASS IV.—ORDER 1.																						
1. Premature Birth.....	22	22
2. Cyanosis	4	4
3. Spina Bifida	1	1
4. Other Malformations...	1	1
5. Teething	18	6	24
	46	6	52
ORDER 2.																						
1. Paramenia	2	5	3	2	4	2
2. Childbirth (See Metria)	2	5	3	2	4	2	18
	2	5	3	2	4	2	18
ORDER 3.																						
1. Old Age	3	3	6	18	...	30
ORDER 4.																						
1. Atrophy and Debility...	38	5	2	45
Total, Class IV	84	11	2	2	5	3	2	4	2	3	3	6	18	...	145	
CLASS V.—ORDER 1.—																						
ACCIDENT OR NEGLIGENCE.																						
1. Fractures & Contusions	1	1	3	1	1	1	...	8
2. Wounds { a Gunshot...
b Cuts	3
3. Burns and Scalds	1	...	1	1	2
3a. Sunstroke	1	1	...	1
4. Poison	1	1
4a. Bite of Snake or Insect
5. Drowning	1	1	2
6. Suffocation	2	1	3
7. Otherwise
	3	1	1	...	2	3	1	1	1	1	1	2	2	...	19
ORDER 2.—																						
VIOLENT DEATHS IN BATTLE.																						
1. Gun-shot Wounds
2. Sword and Bayonet Wounds
3. Otherwise
ORDER 3.—HOMICIDE.																						
Murder and Man-slaughter	3	1	4
ORDER 4.—SUICIDE.																						
1. Wounds—
Gunshot
Cut, Stab, &c.
2. Poison	1	1	2
3. Drowning.....
4. Hanging
5. Otherwise	1	...	1	2
ORDER 5.—EXECUTION.																						
1. Hanging
Violent Deaths (not classed) — Found drowned, &c.	1	1
Total Class V	6	1	1	...	2	3	1	...	1	1	1	1	1	1	2	2	2	...	26
Causes not specified or ill-defined.	1	2	2	...	1	9	15
GRAND TOTALS	255	89	17	6	11	24	16	25	32	40	32	50	35	48	32	41	45	33	31	44	9	906

E 3.

DEATHS from all causes of BOTH SEXES, at different ages, registered in SYDNEY, from 1st January to 31st December, 1877.

CAUSES OF DEATH.	Under 1 year.	1 to 2 years.	2 to 3 years.	3 to 4 years.	4 to 5 years.	5 to 10 years.	10 to 15 years.	15 to 20 years.	20 to 25 years.	25 to 30 years.	30 to 35 years.	35 to 40 years.	40 to 45 years.	45 to 50 years.	50 to 55 years.	55 to 60 years.	60 to 65 years.	65 to 70 years.	70 to 75 years.	75 years and upwards.	Ages not specified.	Total.
CLASS I—ORDER 1.																						
1. Small-pox.....	1	...	3	4
1a. Chicken-pox.....
2. Measles.....
3. Scarlatina.....	3	...	1	4
3a. Diphtheria.....	5	3	2	4	1	4	1	20
4. Quinsy.....	...	1	1	1	3
5. Croup.....	2	7	1	3	2	2	17
6. Whooping-cough.....	9	4	1	...	1	15
7. Typhoid (and Infantile Fever).	4	4	1	3	1	5	4	7	7	6	4	3	5	1	1	1	2	...	2	61
8. Erysipelas.....	7	1	...	2	1	11
9. Metria.....	2	2
10. Carbuncle.....
11. Influenza.....
12. Dysentery.....	2	1	1	2	1	...	1	1	1	1	12
13. Diarrhœa.....	87	27	4	...	2	1	1	2	1	...	3	4	7	1	1	8	3	5	157
14. Cholera.....	9	1	...	2	1	4	1	1	16
15. Ague.....	1	1
16. Remittent Fever.....
17. Rheumatism.....	2	...	1	1	1	...	1	1	...	2	...	2	...	1	...	12
18. Pyæmia.....	2	2
	127	48	10	15	7	15	7	11	10	10	8	5	10	8	10	6	11	5	8	6	...	337
ORDER 2.																						
1. Syphilis.....	4	1	1	1	2	9
2. Stricture of the Urethra.....	1	...	1	1	3
3. Hydrophobia.....
4. Glanders.....
	4	1	1	1	3	...	1	1	12
ORDER 3.																						
1. Privation.....
2. Want of Breast Milk.....	29	2	31
3. Purpura and Scurvy.....	1	1	1	1	4
4. Alcoholism— a. Del. Tremens..... b. Intemperance.....	1	4	5	8	6	...	4	2	4	2	1	2
	1	4	5	8	6	...	4	2	4	2	1	37
	30	2	1	4	5	9	7	...	5	2	5	3	1	74
ORDER 4.																						
1. Thrush.....	3	3
2. Worms, &c.....	1	1
2a. Hydatid.....	1	1	1	1	4
	3	1	2	1	1	8
Total Class I.....	164	51	10	15	7	15	8	11	12	15	15	15	17	8	19	8	17	9	9	6	...	431
CLASS II—ORDER 1.																						
1. Gout.....	1	1	1	4
2. Dropsy.....	2	2	1	2	3	...	2	...	2	...	1	4	1	3	4	5	3	47
3. Cancer.....	4	2	5	8	2	2	5	...	33
3a. Tumour.....	1	...	1	1	1	1	1	9
3b. Polypus.....
4. Noma.....
5. Mortification.....	1	2	3
	2	2	...	1	1	2	4	...	3	...	2	7	8	9	11	9	13	7	7	8	...	96
ORDER 2.																						
1. Scrofula.....	1	3	3	1	1	1	10
2. Tabes Mesenterica.....	22	11	4	1	3	41
3. Phthisis.....	2	...	1	1	1	13	19	35	21	27	13	14	5	7	5	2	166
3a. Hæmoptysis.....	1	2	1	1	1	6
4. Hydrocephalus.....	4	2	1	7
5. Abscess.....	1	1	2
	29	13	5	1	3	2	5	17	20	35	21	30	15	15	6	7	5	3	232
Total Class II.....	31	15	5	2	4	4	9	17	23	35	23	37	23	24	17	16	18	10	7	8	...	328

E 3—continued.

CAUSES OF DEATH.	Under 1 year.	1 to 2 years.	2 to 3 years.	3 to 4 years.	4 to 5 years.	5 to 10 years.	10 to 15 years.	15 to 20 years.	20 to 25 years.	25 to 30 years.	30 to 35 years.	35 to 40 years.	40 to 45 years.	45 to 50 years.	50 to 55 years.	55 to 60 years.	60 to 65 years.	65 to 70 years.	70 to 75 years.	75 years and upwards.	Ages not specified.	Total.
CLASS III.—ORDER 1.																						
1. Cephalitis.....	22	16	1	1	2	6	1	1	50	
2. Apoplexy.....	2	5	3	7	6	4	9	10	5	4	5	1	61
3. Paralysis.....	3	2	3	2	5	4	3	4	7	5	2	...	40
4. Insanity.....	1	...	1	2
5. Chorea.....
6. Epilepsy.....	...	1	1	1	...	1	1	2	...	1	2	1	...	1	12
7. Convulsions.....	56	15	3	2	...	3	79
8. Brain Disease, &c.....	2	1	4	2	2	1	2	3	3	3	5	3	1	2	...	34
	80	33	5	3	2	9	1	2	4	9	10	10	11	15	13	16	19	16	10	9	1	278
ORDER 2.																						
1. Pericarditis.....	2	2	1	5
2. Aneurism.....	1	1	2	...	3	1	2	10
3. Heart Disease, &c.....	2	2	5	3	5	2	7	10	8	7	8	11	8	4	2	84
	2	2	5	4	8	4	7	13	8	9	9	13	8	5	2	99
ORDER 3.																						
1. Laryngitis.....	1	2	1	1	1	6
2. Bronchitis.....	21	9	2	...	2	3	2	2	2	3	3	12	4	6	5	...	6	1	85
3. Pleurisy.....	1	1	...	1	1	3	1	...	8
4. Pneumonia.....	16	5	1	...	2	3	...	3	...	6	4	2	6	7	8	3	2	2	1	3	...	74
4a. Congestion of the Lungs—Pulmonary.	11	3	...	4	1	1	...	1	1	...	22
5. Asthma.....	1	1
6. Lung Disease, &c.....	2	1	1	2	1	1	2	10
	52	18	3	6	4	7	...	3	1	10	9	6	8	12	13	15	10	11	6	11	1	206
ORDER 4.																						
1. Gastritis.....	14	7	2	1	1	1	...	26
2. Enteritis.....	7	2	2	1	1	1	...	1	1	2	...	2	1	...	1	...	22
3. Peritonitis.....	1	1	2	1	2	2	2	1	...	1	...	2	1	16
4. Ascites.....	1	1	1	3
5. Ulceration of Intestines	1	1	1	4
6. Hernia.....	6
7. Ileus.....	1	1	1	...	2	1	6
8. Intussusception.....	2	1	3
9. Stricture of Intestines...	1	1	2
10. Fistula.....
11. Stomach Disease, &c.....	3	1	1	5
12. Pancreas Disease, &c.....	2	1
13. Hepatitis.....	1	2	1	4	2	5	2	4	3	2	...	1	...	27
14. Jaundice.....	1	1	1	1	1	1	5
15. Liver Disease, &c.....	1	1	...	1	...	1	...	1	1	2	3	3	2	5	1	3	1	...	2	28
16. Spleen Disease, &c.....
	30	12	4	2	1	4	2	4	2	6	6	10	9	12	10	7	10	8	3	5	...	147
ORDER 5.																						
1. Nephritis.....	...	4	1	1	2	2	1	11
2. Ischuria.....
3. Nephria.....	...	1	1	2	3	3	4	5	3	1	6	1	30
4. Diabetes.....	1	1	...	1	3
5. Stone.....
6. Cystitis.....	1	...	1	1	1	...	1	5
7. Kidney Disease, &c.....	1	1	2	5	4	5	8	9	6	8	4	1	10
	...	5	1	1	2	5	4	5	8	9	6	8	4	1	59
ORDER 6.																						
1. Ovarian Dropsy.....
2. Uterus Disease, &c.....
ORDER 7.																						
1. Arthritis.....	1	2
1a. Ostitis, Periostitis, &c.	1	...	1	2
2. Joint Disease, &c.....	1	1	...	2	4
ORDER 8.																						
1. Phlegmon.....
2. Ulcer.....	1	...	1	2
3. Skin Disease, &c.....
	1	...	1	2
Total, Class III.....	164	68	12	11	7	20	6	15	12	35	34	37	46	56	54	55	61	47	26	27	2	795

E 3—continued.

CAUSES OF DEATH.	Under 1 year.	1 to 2 years.	2 to 3 years.	3 to 4 years.	4 to 5 years.	5 to 10 years.	10 to 15 years.	15 to 20 years.	20 to 25 years.	25 to 30 years.	30 to 35 years.	35 to 40 years.	40 to 45 years.	45 to 50 years.	50 to 55 years.	55 to 60 years.	60 to 65 years.	65 to 70 years.	70 to 75 years.	75 years and upwards.	Ages not specified.	Total.
CLASS IV.—ORDER 1.																						
1. Premature birth	48	48
2. Cyanosis	6	6
3. Spida Bifida	2	2
4. Other Malformations ...	6	6
5. Teething	29	22	51
	91	22	113
ORDER 2.																						
1. Paramenia	2	5	3	2	4	2	18
2. Childbirth (See Metria)	2	5	3	2	4	2	18
ORDER 3.																						
1. Old Age	1	6	7	16	26	...	56
ORDER 4.																						
1. Atrophy and Debility ...	100	11	3	114
Total Class IV	191	33	3	2	5	3	2	4	2	1	6	7	16	26	...	301
CLASS V.—ORDER 1.—																						
ACCIDENT OR NEGLIGENCE.																						
1. Fractures & Contusions	1	...	2	...	1	6	5	...	2	3	2	4	...	3	5	1	1	1	2	1	...	40
2. Wounds { a Gunshot...	1	1
{ b Cuts	1	6
3. Burns and Scalds	1	1	...	1	2	...	1	4
3a. Sunstroke	1	1	...	1
4. Poison	1	1
4a. Bite of Snake or Insect...
5. Drowning	2	1	3	4	...	1	1	2	1	15
6. Suffocation	5	1	2	8
7. Otherwise
	6	2	4	...	2	6	8	1	5	8	4	5	1	5	6	5	1	1	3	2	...	75
ORDER 2.																						
VIOLENT DEATHS IN BATTLE.																						
1. Gunshot Wounds
2. Sword and Bayonet Wounds.
3. Otherwise
ORDER 3.—HOMICIDE.																						
Murder and Manslaughter	5	1	1	7
ORDER 4.—SUICIDE.																						
1. Wounds { Gunshot	3	1	...	4
{ Cut, Stab, &c.	1	...	1
2. Poison	1	1	...	1	3
3. Drowning
4. Hanging	1	1	2
5. Otherwise
	1	1	1	3	1	1	2	10
ORDER 5.—EXECUTION.																						
1. Hanging
Violent Deaths (not classed), Found drowned, &c.	1	1	2	1	2	3	2	...	2	1	15
Total Class V	12	2	4	...	2	6	8	3	8	10	9	10	4	5	9	6	1	1	3	4	...	107
Causes not specified or ill- defined.	...	1	1	1	1	...	3	3	5	3	1	1	18	38
GRAND TOTALS	562	170	35	28	20	45	32	48	60	99	83	106	95	98	102	87	104	74	61	71	20	2000

F 1.

DEATHS from all causes of MALES, at different ages, registered in the SUBURBAN DISTRICTS, from 1st January to 31st December, 1877.

CAUSES OF DEATH.	Under 1 year.	1 to 2 years.	2 to 3 years.	3 to 4 years.	4 to 5 years.	5 to 10 years.	10 to 15 years.	15 to 20 years.	20 to 25 years.	25 to 30 years.	30 to 35 years.	35 to 40 years.	40 to 45 years.	45 to 50 years.	50 to 55 years.	55 to 60 years.	60 to 65 years.	65 to 70 years.	70 to 75 years.	75 years and upwards.	Ages not specified.	Total.
CLASS I.—ORDER 1.																						
1. Small-pox
1a. Chicken-pox
2. Measles
3. Scarlatina	...	1	1
3a. Diphtheria	1	1	...	3	4	5	14
4. Quinsy
5. Croup	4	4	6	5	3	3	25
6. Whooping-cough	1	1
7. Typhoid (and Infantile Fever).	1	1	1	1	1	2	2	...	1	1	11
8. Erysipelas	1	1
9. Metria
10. Carbuncle
11. Influenza
12. Dysentery	4	1	1	1	1	...	8
13. Diarrhoea	31	14	1	1	...	1	...	2	...	1	1	...	3	...	55
14. Cholera	5	1	1	1	1	9
15. Ague
16. Remittent Fever
17. Rheumatism	1	...	1	...	1	2	2	7
18. Pyæmia
	47	21	7	8	8	10	1	2	1	4	4	...	2	4	2	3	3	1	...	4	...	132
ORDER 2.																						
1. Syphilis	2	1	3
2. Stricture of the Urethra
3. Hydrophobia
4. Glanders
	2	1	3
ORDER 3.																						
1. Privation
2. Want of Breast Milk	8	1	1	9
3. Purpura and Scurvy	1	2
4. Alcoholism—
a. Del. Tremens	1	...	1	2	3
b. Intemperance	1	1	1	...	2	...	1	6
	8	1	1	1	...	2	3	1	2	...	1	20
ORDER 4.																						
1. Thrush
2. Worms, &c.
2a. Hydatid

Total Class 1	57	22	7	8	8	11	1	3	2	4	6	3	3	6	2	4	3	1	...	4	...	155
CLASS II.—ORDER 1.																						
1. Gout	2
2. Dropsy	...	1	1	2	...	2	...	2	9
3. Cancer	1	1	3	1	1	8
3a. Tumour	1	1
3b. Polypus	1	1
4. Noma
5. Mortification	1	1	2
	...	1	1	...	1	1	2	1	...	1	5	1	4	3	2	23
ORDER 2.																						
1. Scrofula	2	2
2. Tabes Mesenterica	17	7	1	25
3. Phthisis	1	2	1	2	6	4	6	4	7	11	6	2	...	2	2	56
3a. Hæmoptysis	1	1
4. Hydrocephalus	2	1	3
	22	9	...	1	2	2	6	4	6	4	8	11	6	2	...	2	2	87
Total Class II	22	10	1	1	3	3	6	4	8	5	8	12	11	3	4	5	4	110

F 1—continued.

CAUSES OF DEATH.	Under 1 year.	1 to 2 years.	2 to 3 years.	3 to 4 years.	4 to 5 years.	5 to 10 years.	10 to 15 years.	15 to 20 years.	20 to 25 years.	25 to 30 years.	30 to 35 years.	35 to 40 years.	40 to 45 years.	45 to 50 years.	50 to 55 years.	55 to 60 years.	60 to 65 years.	65 to 70 years.	70 to 75 years.	75 years and upwards	Ages not specified.	Total.
CLASS III.—ORDER 1.																						
1. Cephalitis	9	3	1	...	1	2	2	...	1	1	4	18
2. Apoplexy	1	1	1	1	1	5	...	2	16
3. Paralysis	1	...	1	...	1	1	6
4. Insanity	1	1
5. Chorea
6. Epilepsy	1	...	1	1	1	1	5
7. Convulsions	27	3	3	33
8. Brain Disease, &c.	1	1	1	1	1	1	...	2	1	...	1	...	10
	37	7	5	1	2	3	1	2	6	2	2	2	5	6	3	4	...	1	...	89
ORDER 2.																						
1. Pericarditis	1	1
2. Aneurism
3. Heart Disease, &c.	1	1	...	1	1	2	2	3	1	...	3	5	3	2	5	30
	1	1	...	1	1	2	2	3	1	1	3	5	3	2	5	31
ORDER 3.																						
1. Laryngitis	1	1	1	3
2. Bronchitis	18	3	1	1	1	1	1	1	27
3. Pleurisy	1	1	1	4
4. Pneumonia	8	2	3	1	...	1	1	...	1	...	2	2	...	2	3	1	1	...	28
4a. Congestion of the Lungs—Pulmonary.	2	1	2	5
5. Asthma	1	1	1	3
6. Lung Disease, &c.
	28	7	8	2	...	1	1	2	1	1	...	2	4	2	4	3	2	2	...	70
ORDER 4.																						
1. Gastritis	3	1	1	5
2. Enteritis	12	...	1	1	1	...	1	16
3. Peritonitis	1	1	1
4. Ascites	1
5. Ulceration of Intestines
6. Hernia
7. Ill-us	3	1	4
8. Intussusception	1	1
9. Stricture of Intestines...	1	1
10. Fistula
11. Stomach Disease, &c....	1	1
12. Pancreas Disease, &c....
13. Hepatitis	1	1	...	1	1	3	7
14. Jaundice	3	1	2	1	4
15. Liver Disease, &c.	2	1	2	1	...	1	...	1	8
16. Spleen Disease, &c.	1	1
	22	2	1	2	...	1	2	2	2	2	3	3	2	2	4	1	1	...	50
ORDER 5.																						
1. Nephritis	1	1	1	3
2. Ischuria
3. Nephria	3	1	1	1	6
4. Diabetes	1	1
5. Stone
6. Cystitis	1	...	2	1	4
7. Kidney Disease, &c.	1	...	1	...	1	1	1	3	...	3	2	...	6
	...	1	...	1	...	1	...	1	...	3	2	1	...	1	1	3	...	3	2	20
ORDER 6.																						
1. Ovarian Dropsy
2. Uterus Disease, &c.
ORDER 7.																						
1. Arthritis	1	1
1a. Ostitis, Periostitis, &c.
2. Joint Disease, &c.
	1	1
ORDER 8.																						
1. Phlegmon
2. Ulcer
3. Skin Disease, &c.	1	1
	1
Total Class III.....	88	17	14	5	3	6	4	...	3	5	14	9	8	8	14	14	17	14	8	11	...	262

F 1—continued.

CAUSES OF DEATH.	Under 1 year.	1 to 2 years.	2 to 3 years.	3 to 4 years.	4 to 5 years.	5 to 10 years.	10 to 15 years.	15 to 20 years.	20 to 25 years.	25 to 30 years.	30 to 35 years.	35 to 40 years.	40 to 45 years.	45 to 50 years.	50 to 55 years.	55 to 60 years.	60 to 65 years.	65 to 70 years.	70 to 75 years.	75 years and upwards.	Ages not specified	Total.
CLASS IV.—ORDER 1.																						
1. Premature Birth.....	16	16
2. Cyanosis.....	1	1
3. Spina Bifida.....	3	3
4. Other Malformations...	3	5
5. Teething.....	8	13	21
	33	13	46
ORDER 3.																						
1. Old Age.....	2	2	4	12	...	20
ORDER 4.																						
1. Atrophy and Debility...	45	2	1	48
Total Class IV.....	78	15	1	2	2	4	12	...	114
CLASS V.—ORDER 1.—																						
ACCIDENT OR NEGLIGENCE.																						
1. Fractures & Contusions	1	...	1	...	1	1	1	5
2. Wounds { a Gunshot...
b Cuts.....
3. Burns and Scalds.....
3a. Sunstroke.....
4. Poison.....	...	1	1
4a. Bite of Snake or Insect	1
5. Drowning.....	...	4	3	3	2	3	1	1	1	18
6. Suffocation.....	1	1
7. Otherwise.....
	...	5	4	3	2	1	...	1	...	3	1	2	1	...	2	25
ORDER 2.—																						
VIOLENT DEATHS IN BATTLE.																						
1. Gunshot Wounds.....
2. Sword and Bayonet Wounds.
3. Otherwise.....
ORDER 3.—HOMICIDE.																						
Murder and Manslaughter..																						
...
ORDER 4.—SUICIDE.																						
1. Wounds { Gunshot.....	1	1
Cut, Stab,&c.	1	...	1	2
2. Poison.....	1	1
3. Drowning.....
4. Hanging.....	1	1
5. Otherwise.....
	1	1	1	...	1	1	5
ORDER 5.—EXECUTION.																						
1. Hanging.....
Violent Deaths (not classed)																						
Total Class V.....	...	5	4	3	2	1	...	2	1	4	1	3	1	...	3	30
Causes not specified or ill-defined.																						
...	1	...	1	...	1	1	4
GRAND TOTALS.....	245	64	28	14	14	21	8	8	12	13	30	18	24	27	31	22	27	26	16	27	...	675

F 2.

DEATHS from all causes of FEMALES, at different ages, registered in the SUBURBAN DISTRICTS, from 1st January to 31st December, 1877.

CAUSES OF DEATH.	Under 1 year.	1 to 2 years.	2 to 3 years.	3 to 4 years.	4 to 5 years.	5 to 10 years.	10 to 15 years.	15 to 20 years.	20 to 25 years.	25 to 30 years.	30 to 35 years.	35 to 40 years.	40 to 45 years.	45 to 50 years.	50 to 55 years.	55 to 60 years.	60 to 65 years.	65 to 70 years.	70 to 75 years.	75 years and upwards.	Ages not specified.	Total.
CLASS I.—ORDER 1.																						
1. Small-pox	1																					1
1a. Chicken-pox																						
2. Measles																						
3. Scarlatina				1		2																3
3a. Diphtheria	1	4	3	1	2	3	2															17
4. Quinsy																						
5. Croup		6	3	1	2	3	1															16
6. Whooping-cough	2																					2
7. Typhoid (and Infantile Fever)	2		1		2	4	3	6	3	1	1	1		1			2	1				28
8. Erysipelas	1										1								1			3
9. Metra												1										1
10. Carbuncle																						
11. Influenza	1																					1
12. Dysentery	1	3																1				5
13. Diarrhoea	39	11	4								2			1	1			1				59
14. Cholera	8	1			1																	10
15. Ague																						
16. Remittent Fever																						
17. Rheumatism												1										1
18. Pyæmia		1									1											2
	56	26	11	3	7	12	6	6	3	1	5	3		2	1		2	3	1	1		149
ORDER 2.																						
1. Syphilis																						
2. Stricture of the Urethra																						
3. Hydrophobia																						
4. Glanders																						
ORDER 3.																						
1. Privation																						
2. Want of Breast Milk	13	1																				14
3. Purpura and Scurvy																						
4. Alcoholism— a. Del. Tremens											1											1
b. Intemperance																						
	13	1									1											15
ORDER 4.																						
1. Thrush	2																					2
2. Worms, &c.																						
2a. Hydatid																						
	2																					2
Total Class I.	71	27	11	3	7	12	6	6	3	1	6	3		2	1		2	3	1	1		166
CLASS II.—ORDER 1.																						
1. Gout																						
2. Dropsy											1		2	1	1	1		1	1			8
3. Cancer											1	1		1	1	2	1	1				8
3a. Tumour															1	1	1					3
3b. Polypus																						
4. Noma																						
5. Mortification		1																	1			2
		1									2	1	2	2	2	4	2	4	1			21
ORDER 2.																						
1. Scrofula	5																					5
2. Tabes Mesenterica	9	6	3																			18
3. Phthisis	1	1				1	4	2	10	10	4	7	3	2	3							48
3a. Hæmoptysis																						
4. Hydrocephalus	4	1	2	1	2																	10
	19	8	5	1	2		1	4	2	10	10	4	7	3	2	3						81
Total Class II	19	9	5	1	2		1	4	2	10	12	5	9	5	4	7	2	4	1			102

F 2—continued.

CAUSES OF DEATH.	Under 1 year.	1 to 2 years.	2 to 3 years.	3 to 4 years.	4 to 5 years.	5 to 10 years.	10 to 15 years.	15 to 20 years.	20 to 25 years.	25 to 30 years.	30 to 35 years.	35 to 40 years.	40 to 45 years.	45 to 50 years.	50 to 55 years.	55 to 60 years.	60 to 65 years.	65 to 70 years.	70 to 75 years.	75 years and upwards.	Ages not specified.	Total.
CLASS III.—ORDER 1.																						
1. Cephalitis	7	4	2	1	...	1	1	16
2. Apoplexy	2	...	2	1	3	...	1	...	12
3. Paralysis	1	2	...	3	6
4. Insanity
5. Chorea
6. Epilepsy	1	1	1	1	...	1	5
7. Convulsions	27	6	1	34
8. Brain Disease, &c.	2	1	1	4
	36	10	1	2	2	...	2	2	...	2	1	4	2	2	3	2	3	3	...	77
ORDER 2.																						
1. Pericarditis
2. Aneurism	1	1	2	1	4	1	5	5	4	4	...	2	30
3. Heart Disease, &c.	1	1	2	1	4	1	5	5	4	4	...	2	30
ORDER 3.																						
1. Laryngitis	1	1
2. Bronchitis	6	4	1	1	1	1	1	1	2	1	2	3	24
3. Pleurisy	1	1	2
4. Pneumonia	3	4	2	1	2	1	2	1	1	17
4a. Congestion of the Lungs—Pulmonary.	5	2	2	...	1	1	1	12
5. Asthma	1	1
6. Lung Disease, &c.	1	1
	14	10	4	1	3	1	1	1	5	2	...	1	5	3	2	1	...	4	...	58
ORDER 4.																						
1. Gastritis	5	1	1	...	1	1	9
2. Enteritis	11	2	1	...	2	...	2	1	1	1	21
3. Peritonitis	1	1	1	1	1	1	1	1	7
4. Ascites	1	1	4
5. Ulceration of Intestines	1	1	1	1	4
6. Hernia	1	1
7. Ileus	1	1	2
8. Intussusception	1	1
9. Stricture of Intestines.	1	1
10. Fistula
11. Stomach Disease, &c.	1	1	2
12. Pancreas Disease, &c.
13. Hepatitis	1	1	...	1	1	4
14. Jaundice	2	1	3
15. Liver Disease, &c.	2	1	2	2	1	2	2	12
16. Spleen Disease, &c.
	19	5	1	2	3	1	2	5	4	4	5	5	4	3	4	2	2	...	71
ORDER 5.																						
1. Nephritis	1	1	2
2. Ischuria
3. Nephria	1	1	1	1	1	1	6
4. Diabetes	1	1
5. Stone
6. Cystitis	1	1
7. Kidney Disease, &c.	1	1	1	3
	...	1	1	1	...	3	2	1	1	1	2	13
ORDER 6.																						
1. Ovarian Dropsy
2. Uterus Disease, &c.	1	1
	1	1
ORDER 7.																						
1. Arthritis
1a. Ostitis, Periostitis	1	1
2. Joint Disease, &c.	1	1
	1	1
ORDER 8.																						
1. Phlegmon	1	1
2. Ulcer	1	1
3. Skin Disease, &c.
	1	1	2
Total, Class III	69	27	6	1	3	4	8	4	4	5	14	15	7	17	19	15	12	7	7	9	...	253

F 2—continued.

CAUSES OF DEATH.	Under 1 year.	1 to 2 years.	2 to 3 years.	3 to 4 years.	4 to 5 years.	5 to 10 years.	10 to 15 years.	15 to 20 years.	20 to 25 years.	25 to 30 years.	30 to 35 years.	35 to 40 years.	40 to 45 years.	45 to 50 years.	50 to 55 years.	55 to 60 years.	60 to 65 years.	65 to 70 years.	70 to 75 years.	75 years and upwards.	Ages not specified.	Total.
CLASS IV.—ORDER 1.																						
1. Premature Birth.....	14	14
2. Cyanosis.....	1	1
3. Spina Bifida.....
4. Other Malformations.....
5. Teething.....	12	11	23
	27	11	38
ORDER 2.																						
1. Paramenia.....	1	1
2. Childbirth (See Metria).....	2	1	...	2	5
	1	2	1	...	2	6
ORDER 3.																						
1. Old Age.....	2	4	11	17
ORDER 4.																						
1. Atrophy and Debility.....	44	9	...	1	54
Total Class IV.....	71	20	...	1	1	2	1	...	2	2	4	11	115
CLASS V.—ORDER 1.—																						
ACCIDENT OR NEGLIGENCE.																						
1. Fractures & Contusions.....	1	1	...	2
2. Wounds—
a. Gunshot.....
b. Cuts.....	1	1
3. Burns and Scalds.....	2	...	1	3
3a. Sunstroke.....	1	1
4. Poison.....
4a. Bite of Snake or Insect.....
5. Drowning.....
6. Suffocation.....
7. Otherwise.....
	1	...	2	1	1	1	1	...	7
ORDER 2.—																						
VIOLENT DEATHS IN BATTLE.																						
1. Gunshot Wounds.....
2. Sword and Bayonet Wounds.....
3. Otherwise.....
ORDER 3.—HOMICIDE.																						
Murder and Man-slaughter.																						
...
ORDER 4.—SUICIDE.																						
1. Wounds—
Gunshot.....
Cut, Stab, &c.....	1	1
2. Poison.....
3. Drowning.....	1	1
4. Hanging.....	1	1
5. Otherwise.....
	1	...	1	...	1	3
ORDER 5.—EXECUTION.																						
1. Hanging.....
Violent Deaths (not classed).																						
Total Class V.....	1	...	2	1	1	1	1	...	1	...	1	1	...	10
Causes not specified or ill-defined.																						
GRAND TOTALS.....	231	83	24	7	13	16	15	15	11	17	32	26	17	24	25	22	17	16	13	22	...	646

F 3.

DEATHS from all causes of BOTH SEXES, at different ages, registered in the SUBURBAN DISTRICTS, from 1st January to 31st December, 1877.

CAUSES OF DEATH.	Under 1 year.	1 to 2 years.	2 to 3 years.	3 to 4 years.	4 to 5 years.	5 to 10 years.	10 to 15 years.	15 to 20 years.	20 to 25 years.	25 to 30 years.	30 to 35 years.	35 to 40 years.	40 to 45 years.	45 to 50 years.	50 to 55 years.	55 to 60 years.	60 to 65 years.	65 to 70 years.	70 to 75 years.	75 years and upwards.	Ages not specified.	Total.
CLASS I.—ORDER 1.																						
1. Small-pox.....	1
1a. Chicken-pox	1	1
2. Measles.....	4
3. Scarlatina.....	...	1	...	1	...	2	4
3a. Diphtheria.....	2	5	3	4	6	8	2	1	...	31
4. Quinsy.....	3
5. Croup.....	4	10	9	6	5	6	1	41
6. Whooping-cough	3	3
7. Typhoid (and Infantile Fever).....	2	...	1	...	3	5	4	7	4	3	3	1	1	1	...	1	2	1	39
8. Erysipelas.....	2	1	1	...	4
9. Metria.....	1	1
10. Carbuncle.....	1
11. Influenza.....	1	1
12. Dysentery.....	5	3	1	1	1	1	...	1	...	13
13. Diarrhoea.....	70	25	5	3	2	1	2	1	2	...	3	...	114
14. Cholera.....	13	2	1	1	1	1	19
15. Ague.....
16. Remittent Fever.....
17. Rheumatism.....	1	...	1	...	1	...	1	...	2	2	8
18. Pyæmia.....	...	1	1	2
	103	47	18	11	15	22	7	8	4	5	9	3	2	6	3	3	5	4	1	5	...	281
ORDER 2.																						
1. Syphilis.....	2	1	3
2. Stricture of the Urethra.....
3. Hydrophobia.....
4. Glanders.....
	2	1	3
ORDER 3.																						
1. Privation.....
2. Want of Breast Milk.....	21	2	23
3. Purpura and Scurvy.....	1	1	2
4. Alcoholism— a. Del. Tremens.....	1	...	2	...	2	3
b. Intemperance.....	2	1	...	2	...	1	7
	21	2	1	...	1	...	3	3	1	2	...	1	35
ORDER 4.																						
1. Thrush.....	2	2
2. Worms, &c.....
2a. Hydatid.....
	2	2
Total, Class I.....	128	49	18	11	15	23	7	9	5	5	12	6	3	8	3	4	5	4	1	5	...	321
CLASS II.—ORDER 1.																						
1. Gout.....	2
2. Dropsy.....	...	1	1	1	1	2	1	3	1	2	1	3	17
3. Cancer.....	2	1	...	2	4	3	2	2	16
3a. Tumour.....	1	1	1	1	4
3b. Polypus.....	1	1
4. Noma.....
5. Mortification.....	...	1	1	1	1	4
	...	2	1	...	1	1	4	2	2	3	7	5	6	7	3	44
ORDER 2.																						
1. Scrofula.....	7	7
2. Tabes Mesenterica.....	26	13	3	...	1	43
3. Phthisis.....	2	3	1	...	1	6	8	14	16	8	14	14	8	5	...	2	2	104
3a. Hæmoptysis.....	1	1
4. Hydrocephalus.....	6	1	2	2	2	13
	41	17	5	2	4	...	1	6	8	14	16	8	15	14	8	5	...	2	2	168
Total, Class II.....	41	19	6	2	5	...	1	7	8	14	20	10	17	17	15	10	6	9	5	212

F 3—continued.

CAUSES OF DEATH.	Under 1 year.	1 to 2 years.	2 to 3 years.	3 to 4 years.	4 to 5 years.	5 to 10 years.	10 to 15 years.	15 to 20 years.	20 to 25 years.	25 to 30 years.	30 to 35 years.	35 to 40 years.	40 to 45 years.	45 to 50 years.	50 to 55 years.	55 to 60 years.	60 to 65 years.	65 to 70 years.	70 to 75 years.	75 years and upwards.	Ages not specified.	Total.
CLASS III.—ORDER 1.																						
1. Cephalitis.....	16	7	1	...	1	4	1	...	1	...	2	1	34
2. Apoplexy.....	1	2	2	3	1	3	5	5	3	3	1	28
3. Paralysis.....	1	1	1	2	1	2	3	...	12
4. Insanity.....	1	1
5. Chorea.....
6. Epilepsy.....	1	...	1	2	1	1	1	1	1	1	10
7. Convulsions.....	54	9	4	1	1	1	1	1	67
8. Brain Disease, &c.....	3	1	1	1	1	1	1	1	2	1	...	1	...	14
	73	17	6	1	2	5	3	...	2	4	6	4	3	6	7	8	6	6	3	4	...	166
ORDER 2.																						
1. Pericarditis.....
2. Aneurism.....
3. Heart Disease, &c.....	...	1	1	1	3	...	1	1	3	6	4	6	1	7	9	3	4	5	...	1
	...	1	1	1	3	...	1	1	3	6	4	6	6	7	9	3	4	5	...	60
ORDER 3.																						
1. Laryngitis.....	2	1	1	4
2. Bronchitis.....	24	7	2	1	1	1	...	1	...	1	1	1	3	2	3	4	...	51
3. Pleurisy.....	...	1	1	1	1	1	1	...	1	6
4. Pneumonia.....	11	6	5	1	...	1	2	2	1	3	4	1	2	3	1	2	...	45
4a. Congestion of the Lungs—Pulmonary.	7	3	2	...	2	...	1	1	1	17
5. Asthma.....	1	2	1	4
6. Lung Disease, &c.....	1	1
	42	17	12	3	3	2	1	...	1	3	6	3	...	3	9	5	6	4	2	6	...	128
ORDER 4.																						
1. Gastritis.....	8	2	1	...	1	1	...	1	14
2. Enteritis.....	23	2	1	1	1	2	...	2	...	1	...	2	1	...	1	1	...	37
3. Peritonitis.....	...	1	1	1	2	1	1	...	1	8
4. Ascites.....	1	1	...	1	5
5. Ulceration of Intestines	1	1	...	1	4
6. Hernia.....	1	...	1	1
7. Ileus.....	3	1	6
8. Intussusception.....	2	1	1	2
9. Stricture of Intestines..	1	1	2
10. Fistula.....	1	1	2
11. Stomach Disease, &c.....	...	1	1	1	3
12. Pancreas Disease, &c.....
13. Hepatitis.....	...	1	1	1	1	1	1	1	1	1	3	11
14. Jaundice.....	5	1	1	1	7
15. Liver Disease, &c.....	2	2	1	3	4	2	2	...	1	2	1	20
16. Spleen Disease, &c.....	1	1
	41	7	1	2	...	1	3	3	1	2	7	6	6	8	8	6	5	8	3	3	...	121
ORDER 5.																						
1. Nephritis.....	...	1	2	2	5
2. Ischuria.....
3. Nephria.....	1	1	...	4	2	2	1	1	12
4. Diabetes.....	1	2
5. Stone.....	1
6. Cystitis.....	1	1	2	1	...	5
7. Kidney Disease, &c.....	...	1	...	1	...	1	...	1	...	1	2	1	1	9
	...	2	...	1	...	1	1	2	...	6	4	2	1	2	3	3	...	3	2	33
ORDER 6.																						
1. Ovarian Dropsy.....	1	1
2. Uterus Disease, &c.....	1	1
ORDER 7.																						
1. Arthritis.....	1	1
1a. Ostitis, Periostitis, &c.	1	1
2. Joint Disease, &c.....	1
	1	1	2
ORDER 8.																						
1. Phlegmon.....	1	1
2. Ulcer.....	1	1
3. Skin Disease, &c.....	1	1
	1	1	1	3
Total, Class III.	157	44	20	6	6	10	12	4	7	10	28	24	15	25	33	29	29	21	15	20	...	515

F 3—continued.

CAUSES OF DEATH.	Under 1 year.	1 to 2 years.	2 to 3 years.	3 to 4 years.	4 to 5 years.	5 to 10 years.	10 to 15 years.	15 to 20 years.	20 to 25 years.	25 to 30 years.	30 to 35 years.	35 to 40 years.	40 to 45 years.	45 to 50 years.	50 to 55 years.	55 to 60 years.	60 to 65 years.	65 to 70 years.	70 to 75 years.	75 years and upwards.	Ages not specified.	Total.
CLASS IV.—ORDER 1.																						
1. Premature Birth	30	30
2. Cyanosis	2	2
3. Spina Bifida	3	3
4. Other Malformations	5	5
5. Teething	20	24	44
	60	24	84
ORDER 2.																						
1. Paramenia	1	1
2. Childbirth (See Metria)	2	1	...	2	5
	1	2	1	...	2	6
ORDER 3.																						
1. Old Age	2	4	8	23	37
ORDER 4.																						
1. Atrophy and Debility	89	11	1	1	102
Total, Class IV.....	149	35	1	1	1	2	1	...	2	2	4	8	23	229
CLASS V.—ORDER 1.—																						
ACCIDENT OR NEGLIGENCE.																						
1. Fractures & Contusions	1	...	1	1	...	1	1	1	...	1	...	7
2. Wounds { a Gunshot.....	1
b Cuts	1	3
3. Burns and Scalds	2	...	1	1
3a. Sunstroke	1	1
4. Poison	1	1
4a. Bite of Snake or Insect	3	3	2	3	1	1	1	18
5. Drowning	4	1
6. Suffocation	1	1
7. Otherwise
	1	...	7	1	1	4	3	2	1	...	1	1	3	1	2	1	...	2	...	1	...	32
ORDER 2.—																						
VIOLENT DEATHS IN BATTLE.																						
1. Gunshot Wounds
2. Sword and Bayonet Wounds
3. Otherwise
ORDER 3.—HOMICIDE.																						
Murder and Manslaughter.																						
1. Gunshot
2. Poison
3. Drowning
4. Hanging
5. Otherwise
	1	1	2	...	2	...	1	1	8
ORDER 5.—EXECUTION.																						
1. Hanging
Violent Deaths (not classed).																						

Total Class V	1	...	7	1	1	4	3	2	1	...	2	2	5	1	4	1	1	3	...	1	...	40
Causes not specified or ill-defined.	1	...	1	...	1	1	4
GRAND TOTALS.....	476	147	52	21	27	37	23	23	23	30	62	44	41	51	56	44	44	42	29	49	...	1321

G 1.

DEATHS from all causes, of MALES at different ages, registered in the COUNTRY DISTRICTS, from 1st January to 31st December, 1877.

CAUSES OF DEATH.	Under 1 year.	1 to 2 years.	2 to 3 years.	3 to 4 years.	4 to 5 years.	5 to 10 years.	10 to 15 years.	15 to 20 years.	20 to 25 years.	25 to 30 years.	30 to 35 years.	35 to 40 years.	40 to 45 years.	45 to 50 years.	50 to 55 years.	55 to 60 years.	60 to 65 years.	65 to 70 years.	70 to 75 years.	75 years and upwards.	Ages not specified.	Total.
CLASS I.—ORDER 1.																						
1. Small-pox.....
1a. Chicken-pox.....	...	1	1
2. Measles.....	1	2
3. Scarlatina.....	2	4	9	6	2	6	2	1	...	1	...	1	1	34
3a. Diphtheria.....	7	10	9	5	3	20	5	2	1	1	63
4. Quinsy.....	...	2	1	3
5. Croup.....	17	17	17	14	9	17	91
6. Whooping-cough.....	1	1	1	3
7. Typhoid (and Infantile Fever). 8. Erysipelas.....	8	9	6	3	4	11	10	20	17	13	16	8	6	4	1	3	3	1	...	2	2	147
9. Metria.....	4	3	1	2	...	1	11
10. Carbuncle.....	1
11. Influenza.....	11	1	...	2	1	1	2	2	3	2	...	25
12. Dysentery.....	29	15	4	1	1	2	1	1	1	1	1	1	2	5	4	3	3	4	4	4	2	89
13. Diarrhoea.....	105	30	3	2	1	...	1	1	1	3	1	5	1	3	5	6	7	10	...	184
14. Cholera.....	13	2	1	2	3	1	2	24
15. Ague.....	1	1	1	3
16. Remittent Fever.....	3	1	...	1	1	6
17. Rheumatism.....	1	3	1	1	1	...	1	3	2	...	3	...	1	3	1	2	...	23
18. Pyæmia.....	1	1	...	1	1	4
	203	92	49	34	19	65	20	27	20	16	23	20	11	17	13	12	14	17	17	21	4	714
ORDER 2.																						
1. Syphilis.....	2	1	1	4
2. Stricture of the Urethra.....	1	1	1	1	...	1	5
3. Hydrophobia.....
4. Glanders.....
	2	1	1	1	1	2	...	1	9
ORDER 3.																						
1. Privation.....	1	...	1	1	1	3	...	3	5	2	4	3	1	1	6	...	32
2. Want of Breast Milk.....	24	1	2	1	1	25
3. Purpura and Scurvy.....	...	1	5
4. Alcoholism— a. Del. Tremens..... b. Intemperance.....	2	4	6	4	7	7	5	3	2	1	...	9
	24	2	1	...	1	3	6	11	7	13	13	7	7	5	3	2	7	...	112
ORDER 4.																						
1. Thrush.....	15	15
2. Worms, &c.....	...	1	...	1	...	1	3
2a. Hydatid.....	1	...	2	1	1	5
	15	1	...	1	...	1	2	1	1	23
Total Class I.....	244	96	49	35	19	66	22	27	21	21	29	31	18	32	27	20	24	22	21	23	11	858
CLASS II.—ORDER 1.																						
1. Gout.....	1	1	1	3
2. Dropsy.....	2	2	1	1	1	1	1	3	3	6	3	3	4	4	4	4	7	...	44
3. Cancer.....	1	4	4	5	4	9	13	10	10	7	13	...	80
3a. Tumour.....	1	1	2	1	1	...	1	4	...	2	13
3b. Polypus.....
4. Noma.....
5. Mortification.....	1	2	...	2	5	10
	3	2	2	1	1	2	1	6	7	10	11	13	20	17	16	13	25	...	150
ORDER 2.																						
1. Scrofula.....	4	...	1	3	...	1	1	1	2	13
2. Tabes Mesenterica.....	23	22	3	...	1	...	1	50
3. Phthisis.....	3	1	...	1	...	2	1	7	22	25	21	31	25	20	19	14	9	1	2	3	2	209
3a. Hæmoptysis.....	1	1	1	3
4. Hydrocephalus.....	13	3	1	...	1	18
	43	26	5	1	2	5	2	8	23	25	21	32	25	20	20	15	11	2	2	3	2	293
Total Class II.....	46	28	5	1	2	7	3	9	25	26	27	39	35	31	33	35	28	18	15	28	2	443

G 1—continued.

CAUSES OF DEATH.	Under 1 year.	1 to 2 years.	2 to 3 years.	3 to 4 years.	4 to 5 years.	5 to 10 years.	10 to 15 years.	15 to 20 years.	20 to 25 years.	25 to 30 years.	30 to 35 years.	35 to 40 years.	40 to 45 years.	45 to 50 years.	50 to 55 years.	55 to 60 years.	60 to 65 years.	65 to 70 years.	70 to 75 years.	75 years and upwards.	Ages not specified.	Total.
CLASS III.—ORDER 1.																						
1. Cephalitis	14	10	5	2	...	4	...	5	1	...	3	...	2	1	...	2	...	1	2	...	1	53
2. Apoplexy	1	...	1	1	1	2	2	2	7	6	9	4	3	5	6	...	58
3. Paralysis	1	...	1	1	4	4	5	3	10	8	6	11	11	10	91
4. Insanity	4	5	3	4	3	7	4	6	...	1	45
5. Chorea	2	1	3
6. Epilepsy	2	3	2	1	2	1	2	3	...	2	1	1	3	1	1	25
7. Convulsions	147	23	9	1	1	181
8. Brain Disease, &c.	5	1	2	...	4	...	2	1	3	2	3	6	3	8	5	4	5	1	...	55
	168	34	14	3	3	9	8	8	7	11	17	15	24	31	25	30	29	24	23	25	3	511
ORDER 2.																						
1. Pericarditis	1	1	1	1	4
2. Aneurism	1	1	5	3	3	3	3	2	2	3	1	...	24
3. Heart Disease, &c.	2	...	1	...	1	2	4	8	3	4	9	16	15	23	17	14	20	18	13	19	1	190
	2	...	2	...	1	2	4	8	3	4	10	17	21	26	20	18	23	20	16	20	1	218
ORDER 3.																						
1. Laryngitis	1	...	2	...	1	1	7
2. Bronchitis	56	26	14	5	3	6	1	...	2	2	1	2	4	6	9	12	7	14	...	170
3. Pleurisy	1	1	1	3	2	2	2	1	1	...	2	1	1	16
4. Pneumonia	35	11	5	3	1	7	2	6	5	11	3	7	14	17	10	10	10	10	8	6	1	182
4a. Congestion of the Lungs—Pulmonary.	16	7	1	1	2	1	2	2	...	1	1	3	1	4	2	44
5. Asthma	1	1	1	2	4	3	4	1	1	1	...	1	...	20
6. Lung Disease, &c.	2	...	2	2	2	2	2	3	...	3	2	3	3	4	2	1	...	30
	108	45	20	10	7	16	4	10	10	17	11	15	23	24	21	25	26	29	23	23	2	469
ORDER 4.																						
1. Gastritis	10	5	2	...	1	2	1	1	2	1	...	25
2. Enteritis	30	11	1	2	1	6	2	4	2	1	3	5	3	7	3	4	2	1	1	89
3. Peritonitis	4	1	1	3	1	1	1	...	1	1	15
4. Ascites	1	...	1	2
5. Ulceration of Intestines	...	1	1	2	1	...	3	...	1	1	10
6. Hernia	1	1	...	1	...	1	1	...	2	2	...	9
7. Ileus	6	3	2	2	1	14
8. Intussusception	1	...	1	2	1	5
9. Stricture of Intestines...	1	2	1	4
10. Fistula
11. Stomach Disease, &c.	2	1	1	1	1	3	3	2	...	14
12. Pancreas Disease, &c.	2	1	2	3	1	3	5	2	...	3	...	25
13. Hepatitis	2	...	1	2	1	2	3	1	3	5	10
14. Jaundice	1	1	1	1	3	6	2	3	6	10	3	3	3	2	...	44
15. Liver Disease, &c.	1	...	1	1	3	6	2	3	6	10	1
16. Spleen Disease, &c.	1
	57	17	4	4	3	10	4	4	8	4	12	21	12	17	16	22	12	17	12	11	...	267
ORDER 5.																						
1. Nephritis	1	2	1	2	3	2	1	11
2. Ischuria	1	...	1	2	2	...	1	2	2	3	16
3. Nephria	1	...	1	1	1	1
4. Diabetes	2	1	1	1	2	...	7
5. Stone	1	1	1	1	...	2	4	1	3	14
6. Cystitis	1	2	...	2	2	2	1	5	18
7. Kidney Disease, &c.	1	1	...	2	...	2	2	2	2	2
	1	4	...	1	1	1	2	1	3	9	3	2	5	8	12	6	10	69
ORDER 6.																						
1. Ovarian Dropsy
2. Uterus Disease, &c.
ORDER 7.																						
1. Arthritis	1	2	3
1a. Ostitis, Periostitis, &c.
2. Joint Disease, &c.	2	3
ORDER 8.																						
1. Phlegmon	1	1
2. Ulcer	1	...	1	1	...	3
3. Skin Disease	2	1	3
	2	1	1	...	1	...	1	1	7
Total, Class III	338	100	40	18	14	39	20	31	29	38	51	71	89	101	85	100	101	102	81	90	6	1,544

G 2.

DEATHS from all causes, of FEMALES at different ages, registered in the COUNTRY DISTRICTS, from 1st January to 31st December, 1877.

CAUSES OF DEATH.	Under 1 year.	1 to 2 years.	2 to 3 years.	3 to 4 years.	4 to 5 years.	5 to 10 years.	10 to 15 years.	15 to 20 years.	20 to 25 years.	25 to 30 years.	30 to 35 years.	35 to 40 years.	40 to 45 years.	45 to 50 years.	50 to 55 years.	55 to 60 years.	60 to 65 years.	65 to 70 years.	70 to 75 years.	75 years and upwards.	Ages not specified.	Total.
CLASS I.—ORDER I.																						
1. Small-pox
1a. Chicken-pox
2. Measles
3. Scarletina	1	9	1	10	3	15	8	2	1	...	2	52
3a. Diphtheria	5	12	11	9	12	26	11	3	...	1	1	91
4. Quinsy	1	1	1	1	...	1	5
5. Croup	9	12	15	10	8	17	71
6. Whooping-cough	6	1	1	1	1	10
7. Typhoid (and Infantile Fever).	8	9	4	2	2	20	16	15	24	9	4	4	4	4	1	1	1	128
8. Erysipelas	3	1	2	2	...	1	1	...	2	1	1	14
9. Metria	1	5	...	4	...	1	11
10. Carbuncle	1
11. Influenza	3	3	1	1	...	1	1	11
12. Dysentery	21	10	3	1	...	2	1	...	1	1	...	1	...	1	4	1	...	2	...	48
13. Diarrhœa	74	31	5	1	1	3	1	...	1	...	1	1	1	3	2	...	6	...	131
14. Cholera	10	3	1	1	1	1	1	1	19
15. Ague	1	2
16. Remittent Fever	2	4	3	2	...	2	1	1	1	16
17. Rheumatism	2	1	2	1	...	2	2	1	2	2	15
18. Pyæmia	1	1	1	3
	143	94	45	36	30	89	41	26	28	18	10	12	5	9	5	4	11	4	6	10	1	627
ORDER 2.																						
1. Syphilis	...	1	1	2
2. Stricture of the Urethra
3. Hydrophobia
4. Glanders
	...	1	1	2
ORDER 3.																						
1. Privation
2. Want of Breast Milk	18	2	20
3. Purpura and Scurvy	...	1	1	2
4. Alcoholism—	1	1
a. Del. Tremens	1	9
b. Intemperance	1	...	2	...	2	1	2	1	9
	18	3	1	1	1	...	2	...	2	1	2	1	32
ORDER 4.																						
1. Thrush	19	1	20
2. Worms, &c.	...	1	...	1	2
2a. Hydatid	1	1	1	3
	19	2	...	1	...	1	...	1	1	25
Total Class I.	180	100	46	37	30	90	42	26	29	19	11	12	7	10	7	5	13	5	6	10	1	686
CLASS II.—ORDER I.																						
1. Gout	1	...	1
2. Dropsy	3	2	2	1	2	2	4	3	3	3	1	3	4	...	33
3. Cancer	1	...	1	...	1	2	6	3	3	3	9	3	4	...	38
3a. Tumour	1	...	1	...	2	1	1	2	...	1	1	...	10
3b. Polypus
4. Noma
5. Mortification	1	1
	3	4	...	2	...	4	5	5	9	9	6	13	6	4	3	10	...	83
ORDER 2.																						
1. Scrofula	...	1	1	1	3
2. Tabes Mesenterica	26	12	2	2	1	43
3. Phthisis	3	1	1	1	7	7	17	11	17	11	4	13	6	1	3	2	...	1	106
3a. Hæmoptysis	1	1	2
4. Hydrocephalus	2	4	1	7
5. Abscess	1	1	2
	31	18	5	2	2	...	1	7	7	17	13	17	11	4	13	7	2	3	2	...	1	163
Total Class II	34	18	5	2	2	4	1	9	7	21	18	22	20	13	19	20	8	7	5	10	1	246

G 2—continued.

CAUSES OF DEATH.	Under 1 year.	1 to 2 years.	2 to 3 years.	3 to 4 years.	4 to 5 years.	5 to 10 years.	10 to 15 years.	15 to 20 years.	20 to 25 years.	25 to 30 years.	30 to 35 years.	35 to 40 years.	40 to 45 years.	45 to 50 years.	50 to 55 years.	55 to 60 years.	60 to 65 years.	65 to 70 years.	70 to 75 years.	75 years and upwards.	Age-not-specified.	Total.
CLASS III.—ORDER 1.																						
1. Cephalitis.....	12	4	2	...	1	...	1	2	1	2	...	3	3	2	3	4	2	2	1	2	...	25
2. Apoplexy	1	1	1	...	3	3	2	3	4	2	2	1	2	...	24
3. Paralysis	2	1	3	1	1	1	1	4	3	3	...	33
4. Insanity	1	3	1	1	1	1	1	1	1	...	10
5. Chorea	1	1	2
6. Epilepsy	1	1	2	2	2	1	...	1	10
7. Convulsions	145	24	5	...	1	175
8. Brain Disease, &c.	2	2	1	1	...	2	...	1	1	1	...	11
	159	30	7	...	2	1	5	7	3	7	7	5	10	3	6	11	10	6	4	7	...	290
ORDER 2.																						
1. Pericarditis	1	2	3
2. Aneurism	1	2	1	...	1	1	...	6
3. Heart Disease, &c.	2	3	6	4	8	2	2	5	4	8	9	7	9	7	5	4	6	...	91
	2	3	6	5	8	2	2	5	7	9	10	7	9	7	5	6	7	...	100
ORDER 3.																						
1. Laryngitis	2	2	...	3	...	3	1	1	12
2. Bronchitis	43	21	10	5	2	7	2	1	2	2	...	3	...	2	6	8	3	...	117
3. Pleurisy	1	...	2	...	1	1	1	6
4. Pneumonia	30	6	4	4	...	5	4	4	4	4	5	2	3	3	1	3	9	2	3	...	97	
4a. Congestion of the Lungs—Pulmonary.	7	2	2	2	1	1	2	1	2	2	1	...	1	24
5. Asthma	1	1	2	1	5
6. Lung Disease, &c.	1	1	1	1	1	1	1	1	2	9
	82	32	14	12	4	13	11	6	6	6	11	6	4	9	6	8	17	10	7	...	270	
ORDER 4.																						
1. Gastritis	8	7	1	2	2	...	1	1	...	1	1	24
2. Enteritis	24	9	1	3	1	4	2	7	...	4	5	1	1	2	3	2	3	1	1	1	...	75
3. Peritonitis	1	...	2	1	1	1	2	1	1	2	12
4. Ascites	1	1
5. Ulceration of Intestines	...	1	1	1	3
6. Hernia	1	...	1	2
7. Ileus	1	1	...	1	1	...	3	2	1	10
8. Intussusception	1	...	1	1
9. Stricture of Intestines...
10. Fistula
11. Stomach Disease, &c.	3	1	3	1	...	1	9
12. Pancreas Disease, &c.	1	1
13. Hepatitis	1	1	1	2	3	...	3	1	1	13
14. Jaundice	4	1	1	1	1	1	1	10
15. Liver Disease, &c.	1	...	2	1	...	2	6	3	2	...	1	3	21
16. Spleen Disease, &c.
	42	18	2	5	3	5	5	9	5	7	9	6	13	6	8	10	10	12	5	2	...	182
ORDER 5.																						
1. Nephritis	1	2	1	4
2. Ischuria	1	1
3. Nephria	1	...	1	1	...	1	3	1	...	1	9
4. Diabetes	1	1
5. Stone	1	1	2
6. Cystitis	1	1	1	1	4
7. Kidney Disease, &c.	1	1	1	2	1	...	1	7
	2	1	...	1	1	2	1	1	3	3	3	1	3	2	2	2	28
ORDER 6.																						
1. Ovarian Dropsy	2	1	1	4
2. Uterus Disease, &c.	1	1	1	3
	1	2	...	1	1	1	1	7
ORDER 7.																						
1. Arthritis
1a. Ostitis, Periostitis, &c.	1	1
2. Joint Disease, &c.	1	1
	1	1	2
ORDER 8.																						
1. Phlegmon	1	1
2. Ulcer	1	...	1	2
3. Skin Disease, &c.	1	1
	1	1	...	1	1	4
Total Class III.....	287	81	23	18	12	25	27	31	17	25	31	30	42	27	33	38	39	44	28	25	...	883

G 2—continued.

CAUSES OF DEATH.	Under 1 year.	1 to 2 years.	2 to 3 years.	3 to 4 years.	4 to 5 years.	5 to 10 years.	10 to 15 years.	15 to 20 years.	20 to 25 years.	25 to 30 years.	30 to 35 years.	35 to 40 years.	40 to 45 years.	45 to 50 years.	50 to 55 years.	55 to 60 years.	60 to 65 years.	65 to 70 years.	70 to 75 years.	75 years and upwards.	Ages not specified.	Total.
CLASS IV.—ORDER 1.																						
1. Premature Birth.....	57	57
2. Cyanosis	1	1
3. Spina Bifida	1	1
4. Other Malformations...	8	8
5. Teething	62	53	115
	129	53	182
ORDER 2.																						
1. Paramenia	1	2
2. Childbirth (See Metria)	4	11	14	23	12	10	2	76
	5	11	14	23	12	11	2	78
ORDER 3.																						
1. Old Age	13	17	18	56	...	104
ORDER 4.																						
1. Atrophy and Debility...	129	9	138
Total Class IV.....	258	62	5	11	14	23	12	11	2	13	17	18	56	...	502	
CLASS V.—ORDER 1.—																						
ACCIDENT OR NEGLIGENCE.																						
1. Fractures & Contusions...	2	4	1	1	...	1	...	1	1	1	2	2	1	17
2. Wounds { a Gunshot...
b Cuts	3	3
3. Burns and Scalds	1	2	3	6	2	7	4	2	4	...	3	1	1	1	...	1	1	1	1	41
3a Sunstroke	1	1	1	2	1	6
4. Poison	1	2	1	1	...	1	1	...	1	8
4a Bite of Snake or Insect
5. Drowning	5	5	...	1	2	5	1	2	...	1	1	1	...	2	...	1	27
6. Suffocation	4	1	5
7. Otherwise.....
	9	10	12	7	3	13	10	5	7	4	5	3	3	3	1	1	4	2	3	1	1	107
ORDER 2.—																						
VIOLENT DEATHS IN BATTLE.																						
1. Gunshot Wounds
2. Sword and Bayonet Wounds.
3. Otherwise.....
ORDER 3.—HOMICIDE.																						
Murder and Manslaughter...	2	2
ORDER 4.—SUICIDE.																						
1. Wounds { Gunshot
Cut, Stab, &c.
2. Poison
3. Drowning.....	1	1
4. Hanging	1	1
5. Otherwise	1	...	1	2
ORDER 5.—EXECUTION.																						
1. Hanging
Violent Deaths (not classed)																						
Total Class V.	9	10	12	7	3	13	12	5	7	4	6	3	4	3	1	1	4	2	3	1	1	111
Causes not specified or ill-defined.	1	3	1	2	1	1	1	2	12
GRAND TOTALS.....	768	271	86	64	48	135	83	78	72	83	89	79	85	56	62	64	77	75	60	102	3	2,440

G 3.

DEATHS from all causes of BOTH SEXES, at different ages, registered in the COUNTRY DISTRICTS, from 1st January to 31st December, 1877.

CAUSES OF DEATH.	Under 1 year.	1 to 2 years.	2 to 3 years.	3 to 4 years.	4 to 5 years.	5 to 10 years.	10 to 15 years.	15 to 20 years.	20 to 25 years.	25 to 30 years.	30 to 35 years.	35 to 40 years.	40 to 45 years.	45 to 50 years.	50 to 55 years.	55 to 60 years.	60 to 65 years.	65 to 70 years.	70 to 75 years.	75 years and upwards.	Ages not specified.	Total.
CLASS I.—ORDER 1.																						
1. Small-pox.....	1
1a. Chicken-pox.....	1	2
2. Measles.....	3	13	10	16	5	21	10	3	1	1	2	1	1	86
3. Scarletina.....	12	22	20	14	15	46	16	5	...	1	1	1	154
3a. Diphtheria.....	1	2	...	1	1	2	...	1	1	8
4. Quinsy.....	26	29	32	24	17	34	162
5. Croup.....	7	2	1	1	1	1	13
6. Whooping-cough.....	16	18	10	5	6	31	26	35	41	22	20	12	10	8	2	4	4	1	...	2	2	275
7. Typhus (and Infantile Fever).	7	1	2	2	1	3	1	3	...	3	1	1	25
8. Erysipelas.....	1	5	...	4	...	1	11
9. Metria.....	1
10. Carbuncle.....	14	4	1	2	1	1	1	...	3	2	1	...	36
11. Influenza.....	50	25	7	2	1	4	2	1	2	1	1	3	5	5	3	7	5	4	3	6	2	137
12. Dysentery.....	179	61	8	3	1	3	1	...	2	1	4	1	6	2	4	8	8	7	16	315
13. Diarrhœa.....	23	5	2	3	1	1	4	1	...	1	2	43
14. Cholera.....	1	1	1	...	1	4
15. Ague.....	5	4	3	1	...	3	2	2	1	2	3	3	2	1	...	4	2	1	23
16. Remittent Fever.....	1	2	4	3	2	1	2	3	3	2	1	...	4	2	1	3	3	2	38
17. Rheumatism.....	1	1	1	...	1	1	7
18. Pyæmia.....	346	186	94	70	49	154	61	53	48	34	33	32	16	26	18	16	25	21	23	31	5	1341
ORDER 2.																						
1. Syphilis.....	2	2	1	6
2. Stricture of the Urethra	1	1	1	1	...	1	5
3. Hydrophobia.....
4. Glanders.....	2	2	1	1	-1	1	2	...	1	11
ORDER 3.																						
1. Privation.....	1	...	1	1	1	3	...	3	5	2	4	3	1	1	6	...	32
2. Want of Breast Milk...	42	3	1	2	1	1	...	45
3. Purpura and Scurvy...	...	2	1	7
4. Alcoholism—	2	2	3	1	1	1	10
a Del. Tremens.....	3	4	6	6	7	9	6	5	3	1	50
b Intemperance.....	42	5	2	...	1	4	7	11	9	13	15	8	9	6	3	2	7	...	144
ORDER 4.																						
1. Thrush.....	34	1	35
2. Worms, &c.....	...	2	...	2	...	1	5
2a. Hydatid.....	1	1	...	1	2	2	1	8
Total Class I	424	196	95	72	49	156	64	53	50	40	40	43	25	42	34	25	37	27	27	33	12	1544
CLASS II.—ORDER 1.																						
1. Gout.....	1	1	1	1	...	4
2. Dropsy.....	5	2	3	1	1	1	3	1	5	10	6	6	7	5	7	11	77
3. Cancer.....	1	1	...	1	1	1	6	3	7	12	22	13	13	7	17	118
3a. Tumour.....	2	...	1	4	2	2	2	1	5	...	2	...	1	23
3b. Polypus.....
4. Noma.....
5. Mortification.....	1	1	2	...	2	5	11
Total Class II	6	2	6	1	3	2	5	11	12	19	20	19	33	23	20	16	35	233
ORDER 2.																						
1. Scrofula.....	4	1	2	3	...	1	1	3	16
2. Tabes Mesenterica.....	49	34	5	2	2	...	1	1	93
3. Phthisis.....	6	2	1	1	...	2	2	14	29	42	32	48	36	24	32	20	10	4	4	3	3	315
3a. Hæmoptysis.....	1	1	1	1	...	1	5
4. Hydrocephalus.....	15	7	2	...	1	25
5. Abscess.....	1	1	2
Total Class II	74	44	10	3	4	5	3	15	30	42	34	49	36	24	33	22	13	5	4	3	3	456
Total Class II	80	46	10	3	4	11	4	18	32	47	45	61	55	44	52	55	36	25	20	38	3	689

G 3—continued.

CAUSES OF DEATH.	Under 1 year.	1 to 2 years.	2 to 3 years.	3 to 4 years.	4 to 5 years.	5 to 10 years.	10 to 15 years.	15 to 20 years.	20 to 25 years.	25 to 30 years.	30 to 35 years.	35 to 40 years.	40 to 45 years.	45 to 50 years.	50 to 55 years.	55 to 60 years.	60 to 65 years.	65 to 70 years.	70 to 75 years.	75 years and upwards.	Ages not specified.	Total.
CLASS III.—ORDER 1.																						
1. Cephalitis	26	14	7	2	1	4	1	7	2	2	3	...	2	1	...	2	...	1	2	...	1	78
2. Apoplexy	1	...	2	1	2	5	10	11	11	9	13	6	5	6	...	8	82
3. Paralysis	2	1	...	1	1	5	4	6	11	11	9	11	18	15	13	16	...	124
4. Insanity	5	8	4	5	3	8	5	7	3	1	6	...	55
5. Chorea	3	1	1	5
6. Epilepsy	2	4	3	3	4	3	3	3	1	2	1	1	3	1	1	35
7. Convulsions	292	47	14	1	2	356
8. Brain Disease, &c.	7	1	2	...	6	1	2	1	4	2	5	6	4	9	5	4	5	2	...	66
	327	64	21	3	5	10	13	15	10	18	24	20	34	34	31	41	39	30	27	32	3	801
ORDER 2.																						
1. Pericarditis	1	1	1	1	1	...	2	7
2. Aneurism	1	1	3	6	4	3	3	2	2	3	2	...	30
3. Heart Disease, &c.	4	...	1	...	4	8	8	16	5	6	14	20	23	32	24	23	27	23	17	25	1	281
	4	...	2	...	4	8	9	16	5	6	15	24	30	36	27	27	30	25	22	27	1	318
ORDER 3.																						
1. Laryngitis	2	3	...	5	2	4	1	1	1	19
2. Bronchitis	99	47	24	10	5	13	3	1	...	2	2	3	3	2	7	6	11	18	15	17	...	287
3. Pleurisy	1	1	1	1	1	5	3	3	1	1	...	3	...	1	1	22
4. Pneumonia	65	17	9	7	1	8	7	10	9	15	7	12	16	20	13	11	13	19	10	9	1	279
4a. Congestion of the Lungs—Pulmonary.	23	9	1	...	2	2	2	3	1	4	3	...	1	3	5	2	4	3	...	68
5. Asthma	1	...	1	1	1	1	2	4	4	6	2	1	1	...	1	25
6. Lung Disease, &c.	1	2	1	3	2	2	3	3	4	1	5	2	3	4	2	1	...	39
	190	77	34	22	11	29	15	16	16	23	17	26	29	28	30	31	34	46	33	30	2	739
ORDER 4.																						
1. Gastritis	18	12	3	2	3	2	1	1	...	1	1	1	3	1	...	49
2. Enteritis	54	20	2	5	2	10	4	11	2	5	8	6	4	9	6	6	5	2	2	1	...	164
3. Peritonitis	4	1	1	1	1	...	5	2	2	1	2	1	...	2	1	2	1	27
4. Ascites	1	1	...	1	3
5. Ulceration of Intestines	...	2	2	3	1	...	3	...	1	1	1	13
6. Hernia	1	1	1	1	1	1	1	2	...	2	2	12
7. Ileus	7	1	3	2	1	3	4	2	23
8. Intussusception	1	1	2	1	1	6
9. Stricture of Intestines...	1	2	1	4
10. Fistula
11. Stomach Disease, &c....	5	1	1	...	2	4	4	3	1	2	23
12. Pancreas Disease, &c....	1	1
13. Hepatitis	3	...	1	2	1	3	4	3	3	5	3	...	5	1	4	38
14. Jaundice	5	1	1	1	...	1	2	1	1	2	4	...	1	20
15. Liver Disease, &c.	2	...	3	2	3	8	10	4	6	3	2	65
16. Spleen Disease, &c.	1	1
	99	35	6	9	6	15	9	13	13	11	21	27	25	23	24	32	22	29	17	13	...	449
ORDER 5.																						
1. Nephritis	1	3	1	...	2	...	2	3	...	1	2	15
2. Ischuria	1	1	2	5	3	1	...	3
3. Nephria	1	...	1	1	1	1	3	3	...	2	5	3	3	1	25
4. Diabetes	1	...	1	2
5. Stone	1	...	2	1	1	2	2	9
6. Cystitis	1	1	1	...	1	...	1	2	1	2	4	2	3	2	18
7. Kidney Disease, &c.	1	...	1	1	...	1	1	4	...	2	2	2	2	3	1	6	...	25
	3	5	...	2	1	2	4	2	4	12	6	5	6	11	14	8	12	97
ORDER 6.																						
1. Ovarian Dropsy	2	1	1	4
2. Uterus Disease, &c.	1	1	1	3
	1	2	...	1	1	1	1	7
ORDER 7.																						
1. Arthritis	1	2	3
1a. Ostitis, Periostitis, &c.	1	1
2. Joint Disease, &c.	1	1
	1	1	1	2	5
ORDER 8.																						
1. Phlegmon	1	1
2. Ulcer	1	1	2	1	...	1	...	6
3. Skin Disease, &c.	2	2	2	4
	2	1	1	1	2	1	2	1	11
Total Class III	625	181	63	36	26	63	47	62	46	63	82	101	131	128	118	138	141	146	109	115	6	2427

G 3—continued.

CAUSES OF DEATH.	Under 1 year.	1 to 2 years.	2 to 3 years.	3 to 4 years.	4 to 5 years.	5 to 10 years.	10 to 15 years.	15 to 20 years.	20 to 25 years.	25 to 30 years.	30 to 35 years.	35 to 40 years.	40 to 45 years.	45 to 50 years.	50 to 55 years.	55 to 60 years.	60 to 65 years.	65 to 70 years.	70 to 75 years.	75 years and upwards.	Ages not specified.	Total.
CLASS IV.—ORDER 1.																						
1. Premature Birth.....	141	141
2. Cyanosis	3	3
3. Spina Bifida.....	3	3
4. Other Malformations...	16	16
5. Teething	128	132	260
	291	132	423
ORDER 2.																						
1. Paramenia	1	1	2
2. Childbirth (See Metria)	4	11	14	23	12	10	2	76
	5	11	14	23	12	11	2	78
ORDER 3.																						
1. Old Age	54	55	80	219	...	408
ORDER 4.																						
1. Atrophy and Debility...	302	25	1	328
Total Class IV.	593	157	1	5	11	14	23	12	11	2	54	55	80	219	...	1237
CLASS V.—ORDER 1.—																						
ACCIDENT OR NEGLIGENCE.																						
1. Fractures & Contusions.	3	1	4	3	3	13	17	11	9	21	20	25	21	17	15	9	9	14	7	4	3	229
2. Wounds { a Gunshot...	...	1	1	1	...	1	1	1	6
b Cuts	3	2	2	1	...	1	10
3. Burns and Scalds	6	6	4	8	4	7	6	2	6	...	4	1	2	1	2	1	1	...	1	...	3	68
3a. Sunstroke	2	1	1	1	2	...	2	4	5	2	1	2	1	1	...	1	1	27
4. Poison	1	3	1	1	...	3	1	...	3	...	1	1	1	1	16
4a. Bite of Snake or Insect	1	2	3
5. Drowning	1	9	10	...	4	14	11	6	9	11	18	12	11	9	8	3	7	4	1	1	10	159
6. Suffocation	8	1	1	2	2	3	1	...	1	1	1	21
7. Otherwise	1	2
	23	23	21	12	12	38	36	22	30	42	47	46	41	30	29	15	19	20	9	8	18	541
ORDER 2.—VIOLENT DEATHS																						
IN BATTLE.																						
1. Gunshot Wounds
2. Sword and Bayonet Wounds.
3. Otherwise
ORDER 3.—HOMICIDE.																						
Murder & Manslaughter	2	2	...	1	2	2	...	2	...	2	1	14
ORDER 4.—SUICIDE.																						
1. Wounds { Gunshot	1	...	1	...	1	1	1	4
Cut, Stab, &c.	1	...	2	2	1	1	1	8
2. Poison	1	...	2	2	1	1	7
3. Drowning.....	1	...	1	1	1	...	1	1	...	4	9
4. Hanging	1	2	3	...	1	1	8
5. Otherwise.....	1	1	2	...	1	1	6
	1	...	4	5	6	4	5	5	3	8	1	42
ORDER 5.—EXECUTION.																						
1. Hanging	1	1
Violent Deaths (not classed)																						
Total Class V.	25	23	21	12	12	38	38	22	32	44	54	51	49	34	36	21	22	28	9	8	19	598
Causes not specified or ill-defined.	1	3	3	2	2	2	4	3	7	7	6	5	1	1	6	53
GRAND TOTALS	1747	603	190	123	92	271	156	162	173	210	248	271	278	257	246	244	291	282	245	413	46	6548

H.

SUMMARY OF DEATHS OF BOTH SEXES registered in the Colony of New South Wales, during each Month of the Year 1877, classified under the heads of the several Causes of Death.

CAUSES OF DEATH.	January.		February.		March.		April.		May.		June.		July.		August.		September.		October.		November.		December.		Total.		Grand Total.	Percentage on local Deaths of the Year.	
	Males.	Females.	Males.	Females.	Males.	Females.	Males.	Females.	Males.	Females.	Males.	Females.	Males.	Females.	Males.	Females.	Males.	Females.	Males.	Females.	Males.	Females.	Males.	Females.	Males.	Females.			
I.—Zymotic Diseases.																													
1. Miasmatic Diseases—(Scarlatina, Diphtheria, Dysentery, Fevers, &c.)...	124	138	102	90	132	95	110	131	102	82	92	89	62	57	37	38	44	34	56	48	74	66	86	70	1021	938	1959	19.85	
2. Enthetic Diseases—(Syphilis, Gonorrhoea, &c.)	4	...	2	...	3	...	1	2	...	1	...	2	4	...	2	1	...	1	1	1	...	19	7	26	0.26	
3. Dietic Diseases—(Privation, Scurvy, Delirium Tremens, &c.)	31	5	12	5	15	8	12	11	13	7	20	4	12	3	17	9	5	5	15	1	14	4	16	9	182	71	253	2.57	
4. Parasitic Diseases—(Thrush, Worms, &c.)	2	4	4	2	5	4	3	4	6	2	1	2	2	3	1	2	1	1	3	4	2	28	30	58	0.59	
Total	159	145	120	99	152	108	127	147	119	96	114	96	80	62	59	48	49	41	74	50	90	73	107	81	1250	1046			
II.—Constitutional Diseases.																													
1. Diathetic Diseases—(Gout, Dropsy, Cancer, &c.)	14	6	11	12	15	16	25	9	12	19	28	13	24	15	20	12	17	15	20	8	18	14	18	12	222	151	373	3.78	
2. Tubercular Diseases—(Scrofula, Phthisis, Hydrocephalus, &c.)	50	46	35	27	38	27	55	30	42	38	46	28	49	28	35	25	36	33	35	17	43	24	43	26	507	349	856	8.67	
Total	64	52	46	39	53	43	80	39	54	57	74	41	73	43	55	37	53	48	55	25	61	38	61	38	729	500			
III.—Local Diseases.																													
1. Diseases of the Nervous System—(Apoplexy, Paralysis, Insanity, Cephalitis).....	88	46	56	46	71	39	57	44	61	41	59	40	53	46	53	37	63	33	47	48	66	47	58	46	732	513	1245	12.62	
2. Diseases of the Organs of Circulation—(Pericarditis, Aneurism, Heart Disease).....	30	17	17	4	16	13	16	7	22	16	29	20	32	13	30	24	22	11	34	19	26	16	32	12	306	172	478	4.84	
3. Diseases of the Respiratory System—(Bronchitis, Pneumonia, Asthma, Pleurisy, &c.)	48	22	37	25	44	29	35	33	69	36	78	51	75	42	58	51	78	44	45	34	41	30	44	24	652	421	1073	10.87	
4. Diseases of the Digestive Organs—(Gastritis, Enteritis, Peritonitis, Hernia, &c.)	43	43	45	24	47	36	36	34	37	35	24	25	24	20	24	25	17	29	21	28	17	29	29	29	391	326	717	7.27	
5. Diseases of the Urinary Organs—(Nephritis, Ischuria, Diabetes, &c.)...	9	7	7	6	11	5	12	4	14	9	15	4	8	6	15	3	8	4	10	3	17	4	5	3	131	58	189	1.92	
6. Diseases of the Organs of Generation—(Ovarian Dropsy, Uterus Disease, &c.)	2	1	...	2	...	1	...	2	8	8	16	0.08	
7. Diseases of the Joints—(Arthritis, Ostitis, Periostitis, &c.)	2	2	1	1	...	1	...	3	1	6	5	11	0.11
8. Diseases of Integumentary System—(Phlegmon, Ulcer, Skin, Disease, &c.)	1	...	1	1	1	1	1	1	1	1	1	2	2	9	7	16	0.16	
Total	221	135	163	110	190	122	157	125	203	139	205	141	193	130	181	141	197	110	166	126	183	116	168	115	2227	1510			
IV.—Developmental Diseases.																													
1. Diseases of Children—(Cyanosis, Teething, &c.)	51	37	43	21	42	43	35	35	35	20	21	14	19	17	18	7	22	17	12	20	24	18	26	23	348	272	620	6.28	
2. Diseases of Adults—(Paramenia, Childbirth, &c.)	11	...	8	...	3	...	3	...	10	...	7	...	12	...	8	...	11	...	14	...	6	...	9	...	102	102	204	1.03
3. Diseases of Old People—(Old Age, &c.).....	41	9	32	10	25	15	23	14	27	18	40	9	28	16	35	11	19	16	31	9	19	12	30	12	350	151	501	5.08	
4. Diseases of Nutrition—(Atrophy, Debility)	44	39	31	16	32	17	27	21	28	23	17	14	14	19	26	16	12	6	23	15	27	17	26	34	307	237	544	5.51	
Total	136	96	106	55	99	78	85	73	90	71	78	44	61	64	79	42	53	50	66	58	70	53	82	78	1005	762			
V.—Violence.																													
1. Accident or Negligence—(Fractures, Contusions, Burns, Drowning, Suffocation, Wounds, &c.)	66	10	49	17	49	10	36	11	45	12	36	15	43	14	45	13	29	6	39	7	47	9	45	10	529	134	663	6.72	
2. Homicide—(Murder and Manslaughter).....	...	2	1	1	3	1	2	...	1	3	...	1	...	2	1	2	1	15	6	21	0.21	
3. Suicide—(Poison, Drowning, Hanging, &c.)	5	1	6	1	5	...	4	1	1	...	7	...	3	...	4	2	4	...	5	...	7	1	2	1	53	7	60	0.61	
4. Execution—(Hanging)	1	1	...	1	0.01	
Total	71	13	56	19	57	10	40	13	46	12	46	15	47	14	49	15	36	6	45	7	56	11	49	12	598	147			
Unspecified	4	4	9	1	5	4	6	2	7	6	8	3	3	1	3	1	1	...	10	1	5	2	7	2	68	27	95	0.96	
Total from all Causes	655	445	500	323	556	365	495	399	519	381	525	340	457	314	426	285	389	255	416	267	465	293	474	325	5877	3992	9869	100.00	

I--continued.

CAUSES OF DEATH.	Gipps.		Bourke.		Brisbane.		Macquarie.		Cook.		Fitzroy.		Phillip.		Dension.		Total Deaths from each cause in Sydney.									
	Under.	Over.	Under.	Over.	Under.	Over.	Under.	Over.	Under.	Over.	Under.	Over.	Under.	Over.	Under.	Over.	1877.	1876.	1875.	1874.	1873.	1872.	1871.	1870.	1869.	1868.
CLASS III.—ORDER 1— continued.																										
5. Chorea																	1	2	12	16	15	10	...	1
6. Epilepsy	1	1	1	9	1	1	1	2	3	1	12	15	79	112	110	116	105	127	93	87	83	91	
7. Convulsions	8	...	4	...	6	...	1	2	17	1	8	1	9	15	...	34	36	41	51	45	35	36	21	27	24	
8. Brain Disease, &c.	2	...	10	...	3	1	2	4	...	4	...	2	1	4	
	11	11	9	44	11	17	14	10	33	19	12	20	13	16	20	18	278	293	310	322	313	297	236	210	217	233
ORDER 2.																										
1. Pericarditis	1	...	3	1	5	4	4	6	...	1	2	5	7	6	
2. Aneurism	5	2	...	2	10	7	9	7	...	8	11	12	13	7	7	
3. Heart Disease, &c.	4	...	28	...	7	...	8	1	17	1	8	...	5	...	84	115	107	91	87	92	93	89	84	71	
	...	5	...	36	...	7	...	10	1	17	1	10	...	7	...	99	126	120	104	94	101	106	104	84	84	
ORDER 3.																										
1. Laryngitis	1	1	...	1	1	...	1	6	6	6	7	3	3	2	3	1	1	1	
2. Bronchitis	6	3	...	15	2	5	4	2	8	8	5	6	3	8	6	4	85	108	106	104	80	84	109	71	69	59
3. Pleurisy	1	...	2	1	...	1	...	1	...	1	...	2	8	14	15	9	4	1	4	6	11	16	
4. Pneumonia	3	3	1	22	4	5	1	3	6	6	2	2	4	5	3	4	74	82	106	94	73	80	83	64	60	55
4a. Congestion of the Lungs—Pulmonary.	1	1	2	...	8	...	3	2	2	1	2	...	22	19	13	
5. Asthma	1	1	3	11	11	9	6	1	3	3	6	
6. Lung Disease, &c.	3	...	2	2	...	1	2	10	11	11	8	15	10	10	21	25	17	
	11	7	2	44	6	12	8	6	25	14	11	12	9	16	11	12	206	243	268	233	184	184	209	168	169	154
ORDER 4.																										
1. Gastritis	4	...	2	1	7	3	...	6	2	1	...	26	22	35	14	5	6	10	18	13	4	
2. Enteritis	1	...	4	1	...	1	...	1	1	2	2	2	1	6	...	22	29	38	36	42	35	36	27	25	27	
3. Peritonitis	1	...	7	...	2	...	1	...	1	1	1	1	...	1	16	13	20	13	5	14	6	7	16	9	9	
4. Ascites	1	1	...	1	3	4	4	4	4	6	1	9	1	1	1	
5. Ulceration of Intestines	1	...	1	1	1	...	4	2	3	2	4	4	8	3	3	
6. Hernia	3	3	3	1	2	...	1	2	
7. Ileus	1	...	1	...	1	...	1	...	1	6	1	8	2	2	8	3	9	3	1	1	
8. Intussusception	1	1	1	...	3	2	3	2	4	5	2	1	...	3	
9. Stricture of Intestines	1	1	...	2	1	2	2	1	1	2	...	
10. Fistula	
11. Stomach Disease, &c.	1	1	1	1	1	5	15	7	7	19	15	14	6	11	3	3	
12. Pancreas Disease, &c.	
13. Hepatitis	1	...	12	...	5	...	3	...	1	...	1	...	1	...	3	27	31	23	5	9	15	8	9	10	12	
14. Jaundice	1	1	1	2	1	5	7	5	5	8	5	1	2	1	
15. Liver Disease, &c.	1	3	...	1	...	2	...	3	1	2	1	7	...	4	...	28	32	51	41	38	26	36	28	36	22	
16. Spleen Disease, &c.	1	
	6	8	2	29	8	11	2	10	9	9	10	15	4	7	8	9	147	162	202	137	142	141	126	118	120	85
ORDER 5.																										
1. Nephritis	2	...	2	3	1	...	1	1	1	11	12	10	7	4	1	4	...	2	...	
2. Ischuria	2	...	1	1	...	2	2	
3. Nephria	1	...	10	...	3	...	1	5	...	6	...	1	...	3	80	44	32	37	22	10	20	4	10	8	8	
4. Diabetes	1	1	1	...	3	1	4	2	...	1	3	3	2	
5. Stone	1	3	2	2	1	1	1	...	1	1	
6. Cystitis	3	1	1	...	5	3	8	3	4	3	3	2	2	4	4	
7. Kidney Disease, &c.	1	...	2	...	1	1	...	3	2	10	11	12	18	10	15	9	8	9	9	6	
	...	4	...	18	3	4	...	2	1	7	1	10	...	3	...	6	59	72	69	71	42	32	41	18	27	21
ORDER 6.																										
1. Ovarian Dropsy	1	2	1	3	1	...	1	1
2. Uterus Disease, &c.	6	5	5	5	3	2	2	4	...	9
	7	5	5	5	3	5	3	4	...	10
ORDER 7.																										
1. Arthritis	1	1	2	3	2	1	1	
1a. Ostitis, Periostitis, &c.	1	1	2	2	1	1	3	...	1	1	3	2	
2. Joint Disease, &c.	1	1	...	1	4	5	3	1	4	1	2	1	3	2	
	...	1	1	1	...	1	4	5	3	1	4	1	2	1	3	2	
ORDER 8.																										
1. Phlegmon	1	2	1	1	...	
2. Ulcer	1	1	2	3	1	2	1	5	5	4	1	2	
3. Skin Disease, &c.	2	4	5	4	3	9	7	6	3	6	
	1	1	2	4	5	4	3	9	7	6	3	6	
Total Class III.	28	36	13	172	28	52	24	38	69	67	35	69	26	49	39	50	795	912	982	877	787	768	732	630	647	595

I—continued.

CAUSES OF DEATH.	Gipps.		Bourke.		Brisbane.		Macquarie.		Cook.		Fitzroy.		Phillip.		Denison.		Total Deaths from each cause in Sydney.										
	Under.	Over.	Under.	Over.	Under.	Over.	Under.	Over.	Under.	Over.	Under.	Over.	Under.	Over.	Under.	Over.	1877.	1876.	1875.	1874.	1873.	1872.	1871.	1870.	1869.	1868.	
CLASS IV.—ORDER 1.																											
1. Premature Birth.....	6	...	3	...	3	...	4	...	10	...	8	...	10	...	4	...	48	60	67	28	37	37	40	32	32	33	
2. Cyanosis	2	1	...	1	...	1	...	1	6	5	4	2	3	3	3	4	...	4	
3. Spina Bifida	1	...	1	2	3	...	2	1	1	2	
4. Other Malformations...	1	...	1	1	...	1	2	6	5	5	6	7	3	9	10	7	3	
5. Teething	5	...	2	...	3	...	1	...	9	...	3	...	17	...	11	...	51	35	41	49	32	53	47	37	52	39	
	14	...	6	...	6	...	8	...	22	...	12	...	30	...	15	...	113	108	117	87	77	97	101	88	91	79	
ORDER 2.																											
1. Paramenia	2	1	3	1	
2. Childbirth (See Metria)	2	11	...	2	...	2	...	1	18	17	30	4	3	...	3	4	...	3	1	
	2	11	...	2	...	2	...	1	18	19	31	4	3	...	3	4	...	3	1	
ORDER 3.																											
1. Old Age	2	...	23	4	...	9	...	6	...	5	...	7	56	69	61	51	60	50	41	52	35	46		
ORDER 4.																											
1. Atrophy and Debility...	8	...	1	...	8	...	12	...	28	...	13	...	22	...	22	...	114	130	162	142	108	101	89	119	120	122	
Total Class IV	22	2	7	25	14	...	20	4	50	20	25	8	52	7	37	8	301	326	371	284	248	248	234	258	249	248	
CLASS V.—ORDER 1.—																											
ACCIDENT OR NEGLIGENCE.																											
1. Fractures & Contusions	1	...	1	22	1	3	1	2	...	1	...	3	...	2	...	3	40	35	40	35	32	36	25	20	16	30	
2. Wounds { a. Gunshot	1	1	4	6	4	5	3	2	3	2	...	
b. Cuts	
3. Burns and Scalds	5	1	6	22	10	9	19	8	8	12	8	11		
3a. Sunstroke	2	...	1	1	4	1	1	3	4	2	...	1	1	1		
4. Poison	1	1	...	4	1	1	1	...	3	1	1		
4a. Bite of Snake or Insect	1		
5. Drowning.....	4	1	5	1	3	1	15	12	10	16	21	13	21	16	14	18		
6. Suffocation	2	...	1	1	2	1	1	8	6	7	2	4	...	3	10	5	2		
7. Otherwise—Shock, &c.	1	...	4		
	1	4	4	35	3	8	3	3	1	2	...	5	1	2	...	3	75	81	79	74	86	63	59	65	47	63	
ORDER 2.—																											
VIOLENT DEATHS IN BATTLE.																											
1. Gunshot Wounds
2. Sword and Bayonet Wounds.	
3. Otherwise.....	
ORDER 3.—HOMICIDE.																											
1. Murder.....	1	...	2	1	1	...	1	6	2	3	8	4	5	4	1	2	
2. Manslaughter	1	1	8	2	4	2	1	5	1	4	1	...	
	1	...	2	2	1	...	1	7	10	5	12	6	6	9	2	6	1	...	
ORDER 4.—SUICIDE.																											
1. Wounds { Gunshot	2	1	...	1	4	1	1	2	...	2	2	
Cut, Stab,&c.	1	1	5	5	4	4	3	3	4	2	4	...	
2. Poison	1	...	1	1	3	4	4	2	1	1	...	2	3	...	4	
3. Drowning.....	2	1	1	1	
4. Hanging	1	1	2	1	3	3	1	2	2	...	1	
5. Otherwise.....	1	1	1	
	...	1	...	3	3	...	2	...	1	10	14	15	10	6	8	5	8	10	4	...	
ORDER 5.—EXECUTION.																											
1. Hanging	1	1	...	4	3	1	
Violent Deaths (not classed), Found drowned, &c.	2	...	4	...	6	1	...	1	1	15	14	8	
Total Class V	2	7	6	44	3	14	3	6	2	4	1	7	2	2	4	107	120	108	96	102	80	73	75	63	69		
Causes not specified or ill- defined.	...	2	...	5	...	5	...	2	...	7	1	6	1	2	...	7	38	55	19	15	18	20	18	18	25	60	
GRAND TOTALS	92	87	42	402	67	96	70	74	197	180	97	156	135	94	114	97	2000	2491	2673	2077	1800	1810	1583	1492	1511	1599	

J.

BIRTHS and DEATHS occurring at Sea, registered in the Colony of New South Wales, from 1st January to 31st December, 1877.

	Births.			Deaths.		
	Males.	Females.	Total.	Males.	Females.	Total.
Sydney	9	17	26	47	27	74

K.

RETURN of REGISTRATION DISTRICTS, with the Names of the Persons holding the office of District Registrar.

District.	Name of Registrar.	Date of Appointment.	District.	Name of Registrar.	Date of Appointment.
1. Sydney	The Registrar General	15 Dec., 1870	46. Maitland	Cornelius Delohery, C.P.S.	1 April, 1876
2. Balmain	William Parker, chemist	4 July, 1861	47. Manning River	Jasper A. Creagh, C.P.S.	1 Feb., 1875
3. Concord	M. B. Young	24 May, 1877	48. Menindie	Rudolph Roxburgh Morriset	9 Feb., 1875
4. Glebe	William Richard Cobbin	16 Nov., 1875	49. Moama	L.S. Donaldson, P.M.	1 Jan., 1878
5. Newtown	Charles Alfred Newman	9 April, 1857	50. Molong	John H. Nisbett, C.P.S.	1 Nov., 1875
6. Paddington	Henry Gale, postmaster	1 July, 1863	51. Morpeth	John Keating	16 Sept., 1872
Randwick	Wm. Bethune, Assistant D.R.	1 Feb., 1878	52. Moulamein	Thomas Linton	13 July, 1860
Waverley	W. Wiley, Assistant D.R.	1 Aug., 1876	53. Mudgee	F. S. Isaacs, C.P.S.	1 Oct., 1876
7. Redfern	Christopher Warburton	30 Oct., 1865	Gulgong	Cornelius Coghlan, C.P.S., Assistant D.R.	1 April, 1878
8. Waterloo	Thomas Armitage Salmon	1 April, 1874	54. Murrurundi	Geo. Gray Brodie, C.P.S.	2 Aug., 1869
9. St. George	Theophilus Henry Bolger	13 Oct., 1866	55. Muswellbrook	Timothy Foley, C.P.S.	1 Dec., 1867
10. St. Leonards	Robert Dalzell Ward, surgeon	28 Feb., 1856	56. Narrabri	C. E. Smith, P.M.	16 May, 1859
Manly	Æmelia M. Stephen, Assistant D.R.	1 July, 1877	57. Newcastle	John Burrowes	28 Feb., 1856
11. Albury	James Chas. W. Crommelin	8 July, 1872	Lambton	William F. Dent, Assistant D.R.	13 Aug., 1874
12. Armidale	Ed. Marriott, C.P.S.	1 Mar., 1876	Wallsend	Thomas Alnwick, Assistant D.R.	1 Jan., 1875
13. Balranald	Richard B. Mitchell, C.P.S.	7 Feb., 1867	58. Nundle	Samuel Kermode	2 Mar., 1874
14. Bathurst	James Beuzerville	8 April, 1874	59. Orange	William T. Evans, C.P.S.	20 Feb., 1856
15. Bega	John Davis, C.P.S.	1 Jan., 1871	60. Parramatta	George Langley, C.P.S.	2 Aug., 1869
16. Berrima	Fredk. Robertson Wilshire, P.M. & C.P.S.	1 May, 1872	61. Paterson	Benjamin Newbury (surgeon)	22 Mar., 1858
Burrawang	D. Moffitt, Assistant D.R.	1 Oct., 1876	62. Patrick's Plains	Fredk. J. Robinson	23 June, 1875
17. Bombala	James Giles, C.P.S.	24 Jan., 1871	63. Penrith	John K. Cleve, junr., C.P.S.	2 Aug., 1869
18. Bourke	Louis Fredk. Layard, C.P.S.	26 Oct., 1874	64. Picton	Wm. Redfern Antill	30 Mar., 1857
19. Braidwood	W. F. Robertson, C.P.S.	1 Sept., 1875	65. Port Macquarie	Robert Issell Perrott, C.P.S.	1 Oct., 1873
20. Brisbane Water	Thomas Cade Battley, C.P.S.	9 July, 1856	66. Port Stephens	Thomas Laman, C.P.S.	2 Aug., 1869
21. Broolue	W. Clarke, C.P.S.	1 Oct., 1876	67. Queanbeyan	Fredk. B. Russell, P.M.	1 July, 1869
22. Burrowa	William J. E. Wotton, C.P.S.	2 Aug., 1869	68. Raymond Terrace	William Glog	28 Feb., 1856
Grenfell	William Fox Parker, C.P.S., Assistant D.R.	17 Feb., 1870	69. Richmond	Rowland H. Ducker	1 Jan., 1878
23. Camden	John B. Martin, C.P.S.	14 Aug., 1856	70. Richmond River	Malcolm M'Intyre Campbell, C.P.S.	26 April, 1875
24. Campbelltown	Henry Arkell Smith, C.P.S.	22 April, 1872	71. Ryde	Geo. M. Pope, C.P.S.	30 Mar., 1857
25. Carcoar	Wm. Badcock Warner	1 Oct., 1877	72. Rylstone	W. W. Armstrong, C.P.S.	5 Mar., 1857
26. Cassilis	Wm. A. Brodie, C.P.S.	1 Feb., 1878	73. Scone	James T. Wilshire, C.P.S.	1 May, 1872
27. Clarence Town	A. Newman	1 Oct., 1876	74. Shoalhaven	William Lovegrove, C.P.S.	2 Aug., 1869
28. Cooma	Geo. H. Smithers, C.P.S.	12 Sept., 1875	75. Sofala	Charles G. Smith	1 June, 1871
29. Coonabarabran	Fredk. Wm. Edwards, C.P.S.	25 Nov., 1863	76. Tambaroora	James Sydney Willard (post-master)	28 June, 1872
Coonamble	J. H. L. Scott, P.M., Assistant D.R.	27 Aug., 1877	Hill End	W. C. Weston, C.P.S., Assistant D.R.	1 Jan., 1877
30. Cowra	John Arkins, C.P.S.	14 Nov., 1870	77. Tamworth	John M'Donald, C.P.S.	9 May, 1859
31. Deniliquin	William Henry Hooper	1 June, 1874	Gunnedah	J. G. Stewart, C.P.S., Assistant D.R.	17 Aug., 1876
32. Dubbo	Luke M'Guinn, C.P.S.	1 Aug., 1863	78. Tenterfield	John Simons, C.P.S.	1 Sept., 1875
33. Dungog	Chas. G. Smith, C.P.S.	17 Sept., 1875	79. Tweed River	Joshua Bray	28 Sept., 1875
34. Eden	R. B. Hays, C.P.S.	1 Jan., 1877	80. Tumut	Henry Hilton	15 Jan., 1870
35. Forbes	Stephen Freeman, C.P.S.	1 Sept., 1873	81. Ulladulla	John V. Wareham, C.P.S.	2 Aug., 1869
Parkes	Alexr. Boswell Armstrong, C.P.S., Assistant D.R.	13 July, 1874	82. Wagga Wagga	Edwin H. Tompson, C.P.S.	2 Aug., 1869
36. Goulburn	Chas. Somerville Alexander, C.P.S.	31 Mar., 1862	83. Walgett	F. B. Hales, P.M.	1 Dec., 1875
37. Grafton	Wm. Henry Thomas, C.P.S.	1 April, 1874	84. Warialda	F. C. Macarthur, C.P.S.	1 Jan., 1877
Maclean	Samuel Macnaughton, post-master, Assistant D.R.	1 June, 1872	85. Wellingrove	W. C. Rodgerson (Mining Registrar)	1 July, 1876
38. Gundagai	Archibald Scott Smith, post-master.	1 Feb., 1872	Vegetable Creek	George Henry Gower (Warden's Clerk)	1 May, 1875
Adelong	John James, Assistant D.R.	5 May, 1877	86. Wellington	Frederick Marsh, C.P.S.	28 April, 1862
39. Hartley	William Patk. Macdermott, (auctioneer)	25 July, 1869	87. Wentworth	Wm. Lyle Richardson, P.M.	1 April, 1872
40. Hay	Joseph Ede Pearce, P.M.	1 June, 1874	88. Windsor	Wm. Hy. H. Becke, C.P.S.	1 April, 1874
41. Inverell	Wm. Clare Cardew, C.P.S.	1 April, 1875	89. Wollombi	Alfred Elliott	12 Mar., 1878
42. Kiama	Henry Connell, junr., C.P.S.	5 June, 1863	90. Wollongong	Alfred A. Turner, C.P.S.	2 Aug., 1869
43. Liverpool	William Long (schoolmaster)	8 June, 1866	91. Yass	Leopold Yates, C.P.S.	17 June, 1870
44. Macdonald River	Thos. J. Thompson (post-master)	Aug., 1877	Gunning	John Fred. Kenyon, C.P.S., Assistant D.R.	1 Sept., 1877
45. Macleay River	J. B. Casey, C.P.S.	1 April, 1877	92. Young	J. R. Edwards, C.P.S.	2 Aug., 1869
Bellinger River	Arthur M. Fisher, P.M. & C.P.S., Assistant D.R.	1 Nov., 1877	Murrumburrah	C. Cutcliffe, C.P.S., Assistant D.R.	14 Aug., 1876
Nambucca River	George Henderson, Assistant D.R.	5 Sept., 1877			

1878-9.

LEGISLATIVE ASSEMBLY.
NEW SOUTH WALES.

LETTERS OF REGISTRATION OF INVENTIONS

UNDER

16 VICTORIA, No. 24;

FOR

1876.

ORDERED BY THE LEGISLATIVE ASSEMBLY TO BE PRINTED,
4 *June*, 1879.



SYDNEY: THOMAS RICHARDS, GOVERNMENT PRINTER.

1879.

1878-9.

LEGISLATIVE ASSEMBLY.

NEW SOUTH WALES.

LETTERS OF REGISTRATION OF INVENTIONS.

(DESCRIPTIONS, SPECIFICATIONS, &c., ACCOMPANYING APPLICATIONS FOR.)

Ordered by the Legislative Assembly to be printed, 4 June, 1879.

RETURN (in part) to an *Address* of the Honorable the Legislative Assembly of New South Wales, dated 10 May, 1861, A.M., praying that His Excellency the Administrator of the Government would be pleased to cause to be laid upon the Table of this House (in addition to the Return already upon the Table),—

“(1.) A copy of the Descriptions and Specifications accompanying any
“applications for Letters of Registration of Inventions under the Act of
“Council 16 Victoria, No. 24, together with the date of application for such
“Letters of Registration, and when granted; also, copies of the Plans or
“Sections annexed, and of the Report, in each case.

“(2.) That His Excellency will cause similar Returns to be laid before
“Parliament annually.”

(*Mr. Hart.*)

INDEX.

No.	NAME OF APPLICANT.	DATE OF APPLICATION.	NATURE OF INVENTION.	WHEN GRANTED.	PAGE.
501	Jehosophat Davy Postle	30 October, 1875.....	Further improvements in apparatus for cooling and freezing water and other bodies.	1876. 3 January.....	1
502	Jehosophat Davy Postle	22 November, 1875...	Improvements in apparatus for recovering salts from their solutions.	7 January.....	5
503	Henry Malcolm Caldwell.	25 September, 1875...	Improvements in treating hides, skins, and pelts, and removing the hair or wool from the hides and skins, and making the pelts into white or tawed leather.	20 January.....	9
504	Eugene Dominique Nicolle and Thomas Sutcliffe Mort.	21 December, 1875...	Refrigerating and purifying air in rooms or spaces; refrigerating liquids and other substances, and restoring the frigorific salts employed in such refrigeration to their solid state again: styled, "Nicolle and Mort's Concentrator, Refrigerator, and Temperator."	28 January.....	11
504A	Henry Baldock	14 August, 1875	Process for the preserving and treating of meat, and all animal substances or matter.	20 January.....	21
505	Ernest Bazin	31 December, 1875...	Improvements in dredging-boats or apparatus for rapidly and economically extracting the mud, ooze, and sand from the river, or even at great depths at distances from the shore or in the midst of the sea, from foundered vessels or ships which are to be recovered, whether for dredging or cleansing ponds, canals, water-courses or for the maintenance of straits, ports, harbours, or havens, or for the extraction of auriferous or metallic sand and so on, in fixing tubular piles of bridges or in other hydraulic or excavating operations.	3 February	23
510	Henry Handyside	27 January, 1876.....	Improvements in locomotive engines, and in apparatus for accomplishing the safe ascent and descent of steep inclines, and for facilitating the passage of sharp curves.	7 March	27
511	William Firth.....	3 February, 1876.....	Improvements in machinery for working and loading coal, and for sinking shafts or pits, and for driving or cutting tunnels.	7 March	31
512	Hans Echberg.....	27 January, 1876.....	Improvements in clothes-washing machines.	7 March	35
513	Elijah Beech	3 February, 1876 ...	Improvements in machinery for printing.	7 March	37
514	Hugh Bell	20 January, 1876.....	Improvements in receptacles for fæces or excrement, including earth-closets, in appliances for getting rid of the urine or liquids.	16 March	45
515	Henry Davey	3 February, 1876 ...	Improvements in the method of working the slides of steam or water pressure engines, and apparatus for that purpose.	21 March	49
517	Thomas Denny	15 November, 1875...	Improvements in the specific arrangement of gearing in wool-presses.	28 March	53

INDEX.

No.	NAME OF APPLICANT.	DATE OF APPLICATION.	NATURE OF INVENTION.	WHEN GRANTED.	PAGE.
				1876.	
519	James Mentiplay	4 March, 1876	Improvements in the construction of wool-presses.	24 April	57
520	John Saxby and John Stinson Farmer.	7 January, 1876 ...	Improvements in the means and apparatus employed in interlocking and securing the safe working of railway points and signals.	24 April	61
522	Edward Hely	14 March, 1876	Improvements in printing and embossing machines.	28 April	67
523	William Thomas Angus	28 February, 1876 ...	"Angus's Shaft or Pole Detacher."	3 May	71
524	Edward Taylor, William Brown, and Peter Langwill.	3 April, 1876.....	Improvements in apparatus for washing coal slack.	3 May	73
525	Hugh Dixson, the younger.	29 March, 1876	A machine for the purpose of pressing and cutting tobacco into what are variously called nips, brakes, plugs, and cakes of any required area and thickness.	3 May	77
526	Richard Gervase Elwes	31 March, 1876	Improvements in filters.....	11 May	79
527	Eugene Dominique Nicolle and Thomas Sutcliffe Mort.	24 April, 1876.....	"Nicolle and Mort's Artificial Stone and Tile Apparatus.	12 June	83
529	Henry Baldock	18 April, 1876.....	"Baldock's Smoke-preventer and Fuel-economiser."	19 June	89
531	Alexander Heatherington.	19 May, 1876	Improved apparatus for separating metals, ores, or precious stones, from earth or other impurities.	17 July	91
532	Friedrich Leybold	12 June, 1876	Improvements in the manufacture of preserved meat.	21 July	95
533	Henri Herrenschmidt...	10 March, 1876	Improvements in roasting-furnaces, and in apparatus connected therewith.	21 July	99
535	Eugene Dominique Nicolle and Thomas Sutcliffe Mort.	23 June, 1876	Invention for the economic production of artificial stone.	4 August	103
537	Jehosophat Davy Postle	14 July, 1876	Improvements in apparatus for the conversion of heat into motive power through the medium of water and gases; such apparatus at the same time being suitable for the condensation and rarefaction of gases and vapours.	23 August	107
538	Austin Chambers	23 May, 1876	Improvements in pneumatic signals for railways.	23 August	113
539	Charles Carson Coleman	26 July, 1876	A machine and process for preparing ramie and other fibre from the stalk.	28 August	117
540	Charles Hubert de Castella.	26 July, 1876	Improvements in the preservation of animal substances.	28 August	121
541	George Livingston Du Laney.	1 August, 1876	Improvements in sewing-machines.	30 August	125
544	William Henry Harrison.	19 July, 1876	"Harrison's Hydrogen Process."	30 August	131
545	Phillippe Joseph Dussaud and Joseph Duchez.	26 July, 1876	Improvements in tanning, and in apparatus connected therewith.	6 September	135
547	Bernard Ackerman.....	29 August, 1876.....	Improvements in the preparation of manure or fertilizing material.	3 October	139
548	Henry James Cole	25 August, 1876	Combined siphon tap and stopper for aerated waters.	11 October.....	141
549	Patrick Hayes.....	4 September, 1876...	"Hayes's Oil," for lubricating machinery and other purposes.	13 October.....	143
552	William Haspery Jeavons and William Walker.	15 September, 1876...	An invention for preserving life in cases of shipwreck, &c.	11 November.....	145

INDEX.

vii

No.	NAME OF APPLICANT.	DATE OF APPLICATION.	NATURE OF INVENTION.	WHEN GRANTED.	PAGE.
553	Charles Ernest Clark, and William Clark.	7 September, 1876...	Improvements in steam pumps, to be called a "Pulsometer Pump."	1876. 23 November.....	147
554	George Wilkins	25 September, 1876...	An invention for boring post-holes	23 November.....	155
555	Peter Tyrer.....	5 October, 1876.....	An improved apparatus for extracting corks from bottles.	13 December	157
556	Alfred Nobel	13 October, 1876.....	Improvements in explosive compounds.	14 December	159
557	Alexander Borthwick...	26 September, 1876...	Improvement in furnaces for treating ores.	27 December	163
558	James Shaw.....	25 October, 1876.....	Invention for keeping meat, fish, butter, vegetables, milk, and all other kinds of perishable articles.	27 December	167
559	Frederick Settle Barff...	26 October, 1876.....	Improvements in preserving animal and vegetable matters, and in the means and appar- atus employed therein.	27 December	169
560	Thomas Boverton Red- wood.	26 October, 1876.....	Improvements in the manufac- ture of gas for burning.	27 December	173
561	James Keith	14 November, 1876...	Improvements in the manufac- ture of illuminating gas, and in the apparatus employed therefor.	27 December	177

[1]



A.D. 1876, 3rd January. No. 501.

FURTHER IMPROVEMENTS IN APPARATUS FOR COOLING AND FREEZING WATER AND OTHER BODIES.

LETTERS OF REGISTRATION to Jehosophat Davy Postle, for further Improvement in Apparatus for cooling and freezing Water and other bodies.

[Registered on the 5th day of January, 1876, in pursuance of the Act 16 Vic. No. 24.]

BY HIS EXCELLENCY SIR HERCULES GEORGE ROBERT ROBINSON, Knight Grand Cross of the Most Distinguished Order of Saint Michael and Saint George, Governor and Commander-in-Chief of the Colony of New South Wales and its Dependencies, and Vice-Admiral of the same.

TO ALL TO WHOM THESE PRESENTS SHALL COME, greeting :

WHEREAS JEHO SOPHAT DAVY POSTLE, of Sydney, in the Colony of New South Wales, hath by his Petition humbly represented to me that he is the author or designer of a certain invention or improvement in manufactures, that is to say, of an invention for "further Improvements in Apparatus for cooling and freezing Water and other bodies," which is more particularly described in the specification and sheet of drawings which are hereunto annexed; and that he, the said Petitioner, hath deposited with the Honorable the Treasurer of the said Colony of New South Wales the sum of Twenty Pounds sterling, for defraying the expense of granting these Letters of Registration, as required by the Act of Council, sixteenth Victoria number twenty-four; and hath humbly prayed that I would be pleased to grant Letters of Registration, whereby the exclusive enjoyment and advantage of the said invention or improvement might be secured to him for a period of fourteen years: And I, being willing to give encouragement to all inventions and improvements in the arts or manufactures which may be for the public good, and having received a report favourable to the prayer of the said Petition, from competent persons appointed by me to examine and consider the matters stated therein, and to report thereon for my information, am pleased, with the advice of the Executive Council, and in exercise of the power and authority given to me by the said Act of Council, to grant, and do by these Letters of Registration grant unto the said Jehosophat Davy Postle, his executors, administrators, and assigns, the exclusive enjoyment and advantage of the said invention or improvement, for and during the term of fourteen years from the date hereof; to have, hold, and exercise unto the said Jehosophat Davy Postle, his executors, administrators, and assigns, the exclusive enjoyment and advantage thereof, for and during and unto the full end and term of fourteen years from the date of these presents next and immediately ensuing, and fully to be complete and ended: Provided always, that if the said Jehosophat Davy Postle shall not, within three days after the granting of these Letters of Registration, register the same in the proper office in the Supreme Court at Sydney, in the said Colony of New South Wales, then these Letters of Registration, and all advantages whatsoever hereby granted, shall cease and become void.

In witness whereof, I have hereunto set my sign manual, and have caused the present Letters of Registration to be sealed with the seal of the said Colony of New South Wales, at Government House, Sydney, in New South Wales, this third day of January, in the year of our Lord one thousand eight hundred and seventy-six.

HERCULES ROBINSON.

Further Improvements in Apparatus for cooling and freezing Water and other bodies.

SPECIFICATION.

TO ALL TO WHOM THESE PRESENTS SHALL COME, I, JEHOSEPHAT DAVY POSTLE, of Sydney, in the Colony of New South Wales, send greeting :

WHEREAS I am desirous of obtaining Letters of Registration for securing unto me Her Majesty's special license that I, my executors, administrators, and assigns, or such others as I or they should or may at any time agree with, and no others, should and lawfully might from time to time and at all times during the term of fourteen years, to be computed from the day on which this instrument is left at the office of the Colonial Secretary, at Sydney, make, use, exercise, and vend within the Colony of New South Wales an invention for "further Improvements in Apparatus for cooling and freezing Water and other bodies"; and in order to obtain the said Letters of Registration, I must, by an instrument in writing under my hand and seal, particularly describe and ascertain the nature of the said invention, and in what manner the same is to be performed :

Now know ye, that I, Jehosophat Davy Postle, do hereby declare the nature of the said invention, and the manner performed to be particularly described and ascertained in and by the following statement and description, reference being had to the drawings hereunto annexed, and to the letters and figures marked thereon, which indicate the parts there referred to, and herein particularly explained, that is to say :—

My invention consists in certain improvements in my previous invention for "Improvements in Apparatus for cooling and freezing Water and other bodies," and will be best understood by reference to the drawings, figures 1, 2, and 3 :—

FIG. 1.

AAAA are the moulds for receiving the water to be frozen ; they are identical with the moulds in my previous invention.

B is a circular piece of wood, rather smaller in diameter than the bottom of the dissolving chamber G ; it rests on the coil of pipe C.

C is a coil of pipe through which the cold water flows to be cooled.

D is the outlet pipe for the solution, provided with a plug for stopping the flow when necessary.

E is the inlet of the coil C ; it is connected when necessary with any vessel containing the water to be cooled.

F is the cover of the moulds.

G is the dissolving chamber.

The operation of the apparatus is very simple. The moulds AAAA are first filled with water nearly to the top, and the cover screwed down. The chamber G is then nearly filled with nitrate of ammonia, or any suitable salt or compound. A sufficient quantity of water is now poured in to effect the dissolution of half the salt. The solution, on the plug in D being removed, passes in the direction of the arrows under the circular piece of wood B, cooling the contents of the coil C, till it finds its way out at D, at the same time the water to be cooled for effecting the complete dissolution of the salt in G is caused to flow through the coil C, entering at E and leaving at C. The solution in flowing out of the apparatus follows the course of the pipe C. The water thus cooled is then poured in among the remaining salt, and rocking is proceeded with for about twenty minutes, when the water in the moulds will be found frozen. After the ice is made, the cold solution can be utilized for cooling water, &c.

The rockers are placed on the machine in such a manner as to intersect the plane of the moulds, that is to say, the plane of the moulds is not parallel with the plane of the rockers, consequently when rocking takes place, the solution has a tendency to strike the moulds obliquely ; after striking the mould obliquely it has its direction altered, and at the return rock strikes the next mould in the same manner, and so on, the solution circulating round the apparatus, the length of time occupied in doing so depending upon the number of moulds and the speed of rocking. This arrangement of the rockers and moulds I specially claim. The moulds need not necessarily be parallel to each other, though I prefer their being arranged in that manner. In large machines it may be found convenient to have the moulds fitted singly in the top of the apparatus.

FIG. 2.

This is a section of an apparatus for cooling water. It may be used in conjunction with the rocking apparatus already patented by me, for utilizing the cold left in the solution after it is drawn from that apparatus, or it may be used in conjunction with any of the ordinary ice-making machines in use where the ice is made, or supposed to be made, in one operation. In this case the solution from the ice-making machine employed is poured into the space I, and water is cooled in sufficient quantity to dissolve the second charge of salt. This apparatus may also be used independently of any apparatus of any kind for cooling water. To do this, the vessel I should be filled with salt, and the chamber H with water poured in through the opening P. Upon water being poured into I, amongst the salt, it dissolves a portion of it, and flowing in the direction of the arrows, passes down the spiral space formed by the helix wrapped round the cylinder J, till it escapes at K. At the same time the water from H flows down the pipe L, and ascends the annular space, which may also be provided with a helix corresponding with that on J, and escapes at N cooled. The salt in I can occasionally be stirred up through the opening O. This method of cooling water is very economical, since only a portion of the salt in I need be dissolved at a time, and the quantity dissolved can always be made proportionate to the quantity of water to be cooled. The apparatus can stand on a counter, the pipe K fitted with a piece of india-rubber tubing which may be led to an earthen jar to receive the solution. The pipe N should be provided with a cock for regulating the flow of water ; an india-rubber tube leading from this cock may lead the cooled water wherever it is required. The apparatus is thus always ready to act, and will produce cooled water in a few seconds. The cylinder J may be made of wood painted, and the helix may be formed of a strip of india-rubber wrapped round it. The cylinder J, when the helix is on it, should fit rather tightly in the cylinder I ; it is provided with a handle, so that it can be lifted out to be cleaned when necessary. The apparatus, except where conduction is required, can be of wood.

FIG.

Further Improvements in Apparatus for cooling and freezing Water and other bodies.

FIG. 3.

Figure 3 represents the method I employ for fastening the india-rubber down for the purpose of joint-making:—

- No. 1. *a* is the india-rubber.
b is a tin shoe.
c the woodwork to which the india-rubber is attached.
- No. 2 is a section of the above.
- No. 3 shows the india-rubber and tin shoe when employed in one continuous length, that is when the tin shoe forms a trough in which the india-rubber is placed.
- No. 4 shows a modified form of the shoe. The shoe, which may be made of tin, is nailed or rather tacked down to the woodwork, and the india-rubber placed in position. The upper part of the tin shoe is then nipped in with a pair of pincers, so that the upper edge of the shoe is forced into the india-rubber. The way in which the india-rubber is held by the shoe is shown in figure 3, No. 2.

CLAIMS.

I claim, 1st, the arrangement of the pipe C, as shown in figure 1, in connection with the real bottom and the false bottom B of the apparatus.

2nd. The method of attaching the rockers to the apparatus in such a manner that the plane occupied by them forms an angle with or intersects the plane occupied by the moulds.

3rd. The relative position of the waterholder H to the cylinder I, in which the frigorific mixture or solution is placed.

4th. The form and construction of the cylinder J for the purpose specified.

5th. The general arrangement of the apparatus shown in figure 2, and its application to cooling purposes generally.

6th. The method of attaching the india-rubber strip to the apparatus wherever it may be necessary, as shown in figure 3.

In witness whereof, I have hereunto set my hand and seal, this twentieth day of October, in the year of our Lord one thousand eight hundred and seventy-five.

JEHOSOPHAT DAVY POSTLE.

REPORT.

SIR,

The application of Mr. J. D. Postle for Letters of Registration for "further Improvements in Apparatus for cooling and freezing Water and other bodies" having been referred to us, we have examined the specifications and drawings accompanying the same, and have now to report that we see no objection to the issue of Letters of Registration as prayed for.

Sydney, 6 November, 1875.

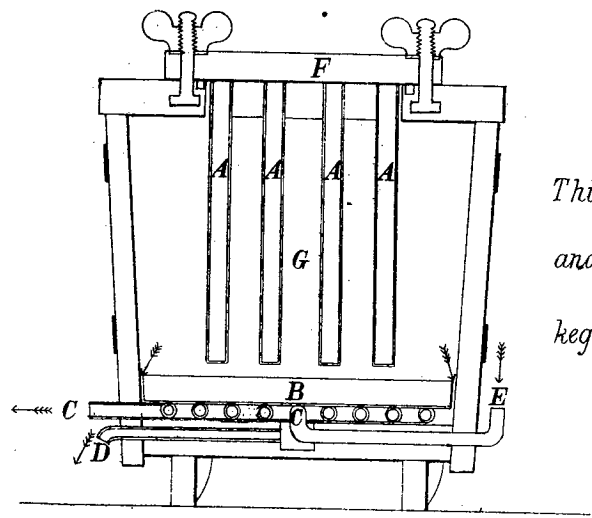
We have, &c.,

J. SMITH.

CHAS. WATT.

THE PRINCIPAL UNDER SECRETARY.

[Drawings—one sheet.]



*This vessel is cylindrical
and can be formed of a
keg well hooped up.*

FIG. 1

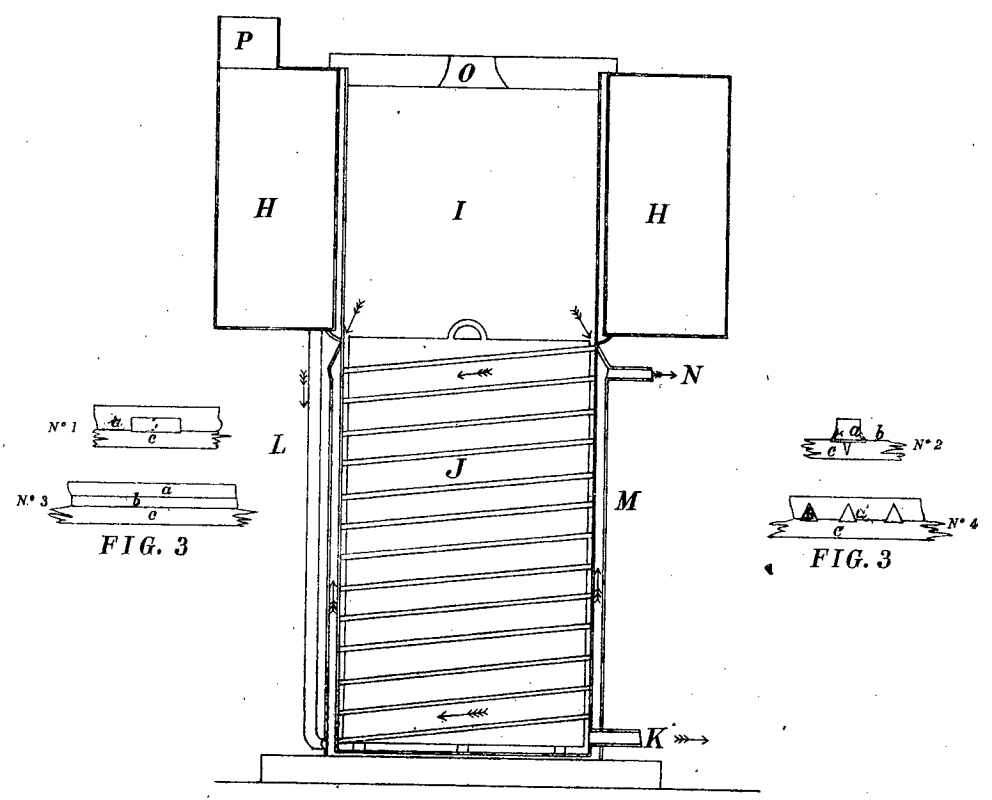


FIG. 2

[5]



A.D. 1876, 7th January. No. 502.

IMPROVEMENTS IN APPARATUS FOR RECOVERING SALTS FROM THEIR SOLUTIONS.

LETTERS OF REGISTRATION to Jehosophat Davy Postle, for Improvements in Apparatus for recovering Salts from their solutions.

[Registered on the 8th day of January, 1876, in pursuance of the Act 16 Vic. No. 24.]

BY HIS EXCELLENCY SIR HERCULES GEORGE ROBERT ROBINSON, Knight Grand Cross of the Most Distinguished Order of Saint Michael and Saint George, Governor and Commander-in-Chief of the Colony of New South Wales and its Dependencies, and Vice-Admiral of the same.

TO ALL TO WHOM THESE PRESENTS SHALL COME, greeting :

WHEREAS JEHOSOPHAT DAVY POSTLE, of Sydney, in the Colony of New South Wales, hath by his Petition humbly represented to me that he is the author or designer of a certain invention or improvement in manufactures, that is to say, of an invention for "Improvements in Apparatus for recovering Salts from their solutions," which is more particularly described in the specification and sheet of drawings which are hereunto annexed ; and that he, the said Petitioner, hath deposited with the Honorable the Treasurer of the said Colony of New South Wales the sum of Twenty Pounds sterling, for defraying the expense of granting these Letters of Registration, as required by the Act of Council, sixteenth Victoria, number twenty-four ; and hath humbly prayed that I would be pleased to grant Letters of Registration, whereby the exclusive enjoyment and advantage of the said invention or improvement might be secured to him for a period of fourteen years : And I, being willing to give encouragement to all inventions and improvements in the arts or manufactures which may be for the public good, and having received a report favourable to the prayer of the said Petition, from competent persons appointed by me to examine and consider the matters stated therein, and to report thereon for my information, am pleased, with the advice of the Executive Council, and in exercise of the power and authority given to me by the said Act of Council, to grant, and do by these Letters of Registration grant unto the said Jehosophat Davy Postle, his executors, administrators, and assigns, the exclusive enjoyment and advantage of the said invention or improvement, for and during the term of fourteen years from the date hereof : to have, hold, and exercise unto the said Jehosophat Davy Postle, his executors, administrators, and assigns, the exclusive enjoyment and advantage thereof, for and during and unto the full end and term of fourteen years from the date of these presents next and immediately ensuing, and fully to be complete and ended : Provided always, that if the said Jehosophat Davy Postle shall not, within three days after the granting of these Letters of Registration, register the same in the proper office in the Supreme Court at Sydney, in the said Colony of New South Wales, then these Letters of Registration, and all advantages whatsoever hereby granted, shall cease and become void.

In witness whereof, I have hereunto set my sign manual, and have caused the present Letters of Registration to be sealed with the seal of the said Colony of New South Wales, at Government House, Sydney, in New South Wales, this seventh day of January, in the year of our Lord one thousand eight hundred and seventy-six.

(L.S.)

HERCULES ROBINSON.

Improvements in Apparatus for recovering Salts from their solutions.

SPECIFICATION.

TO ALL TO WHOM THESE PRESENTS SHALL COME, I, JEHOSEPHAT DAVY POSTLE, of Sydney, in the Colony of New South Wales, send greeting :

WHEREAS I am desirous of obtaining Letters of Registration for securing unto me Her Majesty's special license that I, and my executors, administrators, and assigns, or such others as I or they should or may at any time agree with, and no others, should and lawfully might, from time to time, and at all times during the term of fourteen years, to be computed from the day on which this instrument is left at the office of the Colonial Secretary, at Sydney, in the Colony of New South Wales, make, use, exercise, and vend within the said Colony, an invention for "Improvements in Apparatus for recovering Salts from their solutions"; and in order to obtain the said Letters of Registration, I must, by an instrument in writing under my hand and seal, particularly describe and ascertain the nature of the said invention, and in what manner the same is to be performed; now know ye that I, the said Jehosophat Davy Postle, do hereby declare the nature of the said invention and the manner performed to be particularly described and ascertained in and by the following statement and description, reference being had to the drawings hereunto annexed, and to the letters and figures marked thereon, which indicate the parts there referred to and herein particularly explained (that is to say), the principle on which my invention is based is as follows:—When water is heated to 212° , or any temperature above the ordinary temperature at the time and removed from the source of heat, the vapourization that results is chiefly due to the excess of temperature above the ordinary temperature at the time, that is to say, if the temperature is 70° and the water is heated to 212° the evaporation that ensues in a saturated atmosphere will be due to the 142° of sensible temperature above 70° . This 142° of sensible heat in evaporating the water becomes latent in it, and the quantity of water evaporated by it will be found indicated by the fraction of which 142° is the numerator and the latent heat of water is the denominator. If a piece of sheet metal be dipped into boiling water and removed, a portion of the boiling water will adhere to it and will rapidly evaporate, and in all probability will entirely disappear. The disappearance of the whole of the water in this case is due partly to the temperature of the water above 70° , and partly to the heat which is communicated to the water by the sheet metal. The sensible heat of the metal, together with the 142° of sensible heat of the water, make up a quantity of heat sufficient to supply the heat rendered latent when water is converted into vapour. Upon dipping a piece of sheet metal into boiling water, removing it, and permitting the evaporation of the water adhering to the metal to take place, the following phenomena occur:—The piece of sheet metal is heated to 212° ; on removal the water adhering evaporates, and the sheet of metal is cooled. If the thickness and quantity of the sheet metal is just sufficient to communicate sufficient heat to effect the evaporation of the water in a saturated atmosphere, the metal, when the water is all evaporated, will be at the atmospheric temperature. If the piece of sheet metal be now dipped into a solution of nitrate of ammonia, at about the boiling point, the same phenomena occur. An additional element however is introduced, since the salt in solution as well as the sheet metal communicate their heat to the water to supply the heat rendered latent. The cooling of the salt and the metal results, as in the case when the metal was dipped in water. This is exactly what is required in the recovery of a salt from its solution. The absorption of heat from the salt and the metal permits the former to crystallize on the latter, from which it can be removed. This is the principle of my evaporating apparatus, and the following description and the drawings attached show one method of carrying my principle into effect. I may here state that the specific heat of the solution can be greatly increased, or rather the total quantity of sensible heat of the solution, by saturating it at a high temperature. The increased quantity of salt will give out an increased quantity of heat, which is rendered latent by the vapourization of the water. As a set-off against any advantage that may be derived from saturating the solution, it must be remembered that a reduction of temperature follows the addition of any fresh salt to a heated solution.

Fig. 1 is a section of the apparatus taken through it transversely.

A is a revolving disc mounted on a shaft, B, on which a pulley is keyed in the ordinary way; a portion of this disc always hangs in the solution D.

B is the shaft carrying the disc A.

C is the steam coil of tin, for the purpose of communicating heat to the solution D. This coil is lined with copper, to give strength.

D. The solution to be evaporated.

EE. Troughs for receiving the salt removed from the disc as it revolves. The edges of these troughs are fitted with some soft substance such as india-rubber, which is constantly pressed against the disc D.

Fig. 2 is a plan of the apparatus.

Fig. 3 is a side elevation.

The method of working the evaporator is as follows:—The solution is placed in the apparatus and steam is turned into the coil C, or a heated solution is passed through it. When the solution D is heated the disc A is caused to revolve. A portion of the solution adheres to it, of which the water rapidly evaporates. That portion of the disc out of the solution is cooled and the salt speedily crystallizes on it. Upon passing between the troughs EE, the salt adhering to the disc is removed, falling into the troughs, and can be removed when required, or can slide direct into the freezing apparatus if a cold-producing salt. It will be seen that by my process of evaporation the whole of the heat above the ordinary temperature at the time is utilized in evaporating the solution. Thus, if the temperature is 70° the last portion of water evaporates at that temperature. In the case of ordinary boiling the vapour leaves at about 212° or higher, the temperature between 212° and the temperature of the air at the time is consequently so much loss, the vapour carrying off 140° of heat, which is utterly wasted. The apparatus can be used for concentrating purposes only; when employed for this purpose the troughs with scrapers attached should not touch the disc or discs. It can be used for concentrating syrup.

The principle of my invention, already explained can be carried into effect in a variety of ways. A metallic drum, for instance, could be arranged so that a portion of it would come in contact with a heated solution. Upon the drum being caused to revolve, the solution would evaporate on its surface, cooling it

Improvements in Apparatus for recovering Salts from their solutions.

in doing so; crystallization of the salt would result for the reasons already given. In the method I have illustrated in the drawings attached and described in this specification, the shaft B could have several discs, A, mounted on it, and the evaporation could be greatly facilitated by the aid of a fan. To recover and condense the water of evaporation the apparatus should be closed in, and a current of air be caused to pass over the surface of the disc or discs. The air charged with moisture can be led through metallic passages surrounded with water—salt water if at sea, or it can be caused to ascend a cylinder down which there are descending jets of water; the excess of moisture (that derived from the evaporation of the solution on the disc) will be condensed and will mingle with the fresh water jets before referred to. These jets may consist of the same water pumped up over and over again. It should be kept cool by sea-water or other cooling water passed through a coil immersed in it. The same air can be used over and over again.

CLAIMS.

I claim, 1st, the method of effecting the evaporation of a hot solution on a thin metallic or other surface, by causing such surface to be alternately immersed in and removed from such solution, the evaporation of the solution adhering to the metal or other surface being due partly to the sensible heat of the solution and partly to the sensible heat of the metal itself.

2nd. The method of recovering the moisture from the air after it has passed over the evaporating surface, by causing it to pass through or ascend a cylinder down which there are descending jets of water, the air entering at the bottom and leaving at the top, where the coldest water is descending.

3rd. The general form and combination of the apparatus as described, and its application for the purposes specified.

In witness whereof, I have hereunto set my hand and seal, this twentieth day of November, in the year of our Lord one thousand eight hundred and seventy-five.

J. D. POSTLE.

REPORT.

Sydney, 2 December, 1875.

SIR,

The application of Mr. J. D. Postle for Letters of Registration for "Improvements in Apparatus for recovering Salts from their solutions" having been referred to us, we have examined the specification and drawings accompanying the same, and have now the honor to report that we see no objection to the issue of Letters of Registration as prayed for.

We have, &c.,

J. SMITH.
CHAS. WATT.

THE PRINCIPAL UNDER SECRETARY.

[Drawings—one sheet.]

THE UNIVERSITY OF CHICAGO

PH.D. THESIS

BY

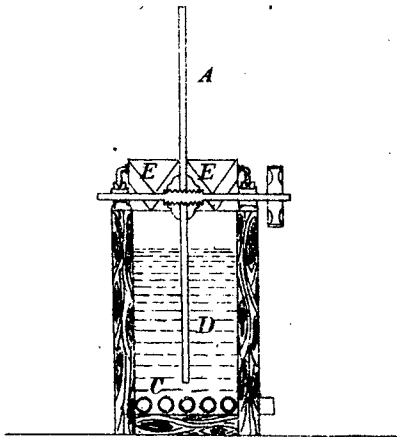


FIG. 1

*These are the Drawings referred to
in the annexed Specification*

J. D. Postle

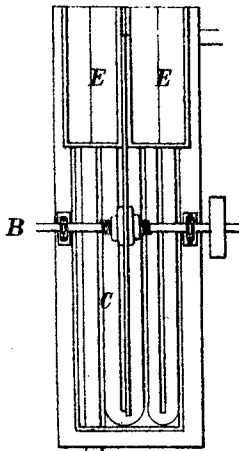


FIG. 2

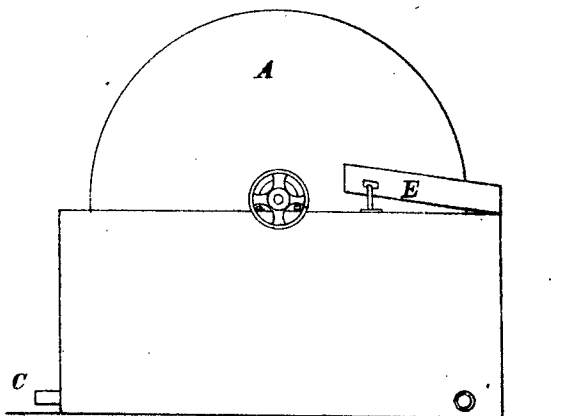


FIG. 3

(Sig 225)

[9]



A.D. 1876, 20th January. No. 503.

IMPROVEMENTS IN TREATING HIDES, SKINS, AND FELTS, &c.

LETTERS OF REGISTRATION to Henry Malcolm Caldwell, for Improvements in treating hides, skins, and felts, and removing the hair or wool from the hides and skins, and making the felts into white or tawed leather.

[Registered on the 21st day of January, 1876, in pursuance of the Act 16 Vic. No. 24.]

BY HIS EXCELLENCY SIR HERCULES GEORGE ROBERT ROBINSON, Knight Grand Cross of the Most Distinguished Order of Saint Michael and Saint George, Governor and Commander-in-Chief of the Colony of New South Wales and its Dependencies, and Vice-Admiral of the same.

TO ALL TO WHOM THESE PRESENTS SHALL COME, greeting :

WHEREAS HENRY MALCOLM CALDWELL, of Sydney, in the Colony of New South Wales, hath by his Petition humbly represented to me that he is the author or designer of a certain invention or improvement in manufactures, that is to say, of an invention of "Improvements in treating hides, skins, and felts, and removing the hair or wool from the hides and skins, and making the felts into white or tawed leather," which is more particularly described in the specification which is hereunto annexed; and that he, the said Petitioner, hath deposited with the Honorable the Treasurer of the said Colony of New South Wales the sum of Twenty Pounds sterling, for defraying the expense of granting these Letters of Registration, as required by the Act of Council, sixteenth Victoria, number twenty-four; and hath humbly prayed that I would be pleased to grant Letters of Registration, whereby the exclusive enjoyment and advantage of the said invention or improvement might be secured to him for a period of fourteen years: And I, being willing to give encouragement to all inventions and improvements in the arts or manufactures which may be for the public good, and having received a report favourable to the prayer of the said Petition, from competent persons appointed by me to examine and consider the matters stated therein, and to report thereon for my information, am pleased, with the advice of the Executive Council, and in exercise of the power and authority given to me by the said Act of Council, to grant, and do by these Letters of Registration grant unto the said Henry Malcolm Caldwell, his executors, administrators, and assigns, the exclusive enjoyment and advantage of the said invention or improvement, for and during the term of fourteen years from the date hereof: to have, hold, and exercise unto the said Henry Malcolm Caldwell, his executors, administrators, and assigns, the exclusive enjoyment and advantage thereof, for and during and unto the full end and term of fourteen years from the date of these presents next and immediately ensuing, and fully to be complete and ended: Provided always, that if the said Henry Malcolm Caldwell shall not, within three days after the granting of these Letters of Registration, register the same in the proper office in the Supreme Court at Sydney, in the said Colony of New South Wales, then these Letters of Registration, and all advantages whatsoever hereby granted, shall cease and become void.

In witness whereof, I have hereunto set my sign manual, and have caused the present Letters of Registration to be sealed with the seal of the said Colony of New South Wales, at Government House, Sydney, in New South Wales, this twentieth day of January, in the year of our Lord one thousand eight hundred and seventy-six.

(L.S.)

HERCULES ROBINSON.

Improvements in treating hides, skins, and felts, &c.

SPECIFICATION of HENRY MALCOLM CALDWELL, of Sydney, in the Colony of New South Wales, Gentleman, for an invention of certain "Improvements in treating hides, skins, and felts, and removing the hair or wool from the hides and skins and making the felts into white or tawed leather."

THE invention consists essentially in the employment and use, for the abovenamed purposes, of petroleum shale oil or other liquid hydrocarbon.

1st. In treating hides and skins I stove them in the usual manner, and I employ petroleum shale spirit or other liquid hydrocarbon to preserve the hides or skins from tainting or decomposing by painting the flesh side (or even by dipping) previously to introducing them into the stove or by otherwise applying the liquid hydrocarbon thereto either before or after they have been hung up in the stove, but I prefer to paint the hides or skins over with the petroleum or other liquid hydrocarbon first, and then fold them up and fill them in heaps, and allow the same to stand for several hours before hanging up in the stove, so that the hydrocarbon can thoroughly penetrate and saturate the skin; or I take off the hair or wool by painting the skins over with sulphide of lime, as mentioned in the specification of Letters Patent, No. 2540, granted to Arthur Granville and Edwin Eli Johnson, dated 25th July, A.D. 1873. As is well known the hair or wool becomes loosened either by the application of the sulphide of lime or by the sweating process in the stove, and may then be removed in the usual manner, and the application of the petroleum shale spirit or other liquid hydrocarbon in the sweating process as above described will preserve the hide or skin from tainting or decomposing.

2nd. After the hair or wool has been removed from the hide or skin in this or any other convenient manner I treat the pelts with petroleum shale spirit or other liquid hydrocarbon (either by painting or by immersion) instead of employing the present method of "liming," "puring," and "drenching," and I use petroleum shale spirit or other liquid hydrocarbon either in connection with sulphide of lime or other sulphide, or by itself; the great benefits arising therefrom are increased pliability and strength.

I apply the above substances when convenient under pressure either by hydraulic, atmospheric, or other mechanical means. I find that the strength of the pelts is increased to such an extent, by the use of the substances hereinbefore mentioned, that "lashing laces" sufficiently strong for ordinary use can be made from sheep instead of from hides as heretofore.

I claim the employment of petroleum shale oil or other liquid hydrocarbons in all its forms to the preparations of hides, skins, and pelts, and making the same into white or tawed leather.

H. M. CALDWELL.

This is the specification referred to in the annexed Letters of Registration granted to Henry Malcolm Caldwell, this twentieth day of January, A.D. 1876.

HERCULES ROBINSON.

REPORTS.

SIR,

We do ourselves the honor to return to you the documents transmitted to us under your B.C. communication of the 5th instant, No. 75/6843, which relate to Mr. Henry Malcolm Caldwell's Petition; and we have to suggest that the Petitioner be required to affix a specific claim to his specification stating precisely the hydrocarbons he desires to secure by Letters of Registration, in particular with reference to the treatment of seeds, nuts, &c., as certain hydrocarbons have already been in use in connection with this industry.

We have, &c.,

GOTHER K. MANN.
CHAS. WATT.

THE PRINCIPAL UNDER SECRETARY.

Sydney, 14 October, 1875.

SIR,

We do ourselves the honor to report that we see no objection to the issue of Letters of Registration in accordance with Mr. Henry Malcolm Caldwell's revised specification and claim, transmitted to us under your B.C. communication of the 3rd instant, No. 75/7761, securing to Mr. Caldwell the exclusive enjoyment of an invention for "Improvements in treating hides and skins, and making the pelts into white or tawed leather."

We have, &c.,

GOTHER K. MANN.
CHAS. WATT.

THE PRINCIPAL UNDER SECRETARY.

Sydney, 12 November, 1875.

[11]



A.D. 1876, 28th January. No. 504.

NICOLLE & MORT'S CONCENTRATOR, REFRIGERATOR, AND TEMPERATOR.

LETTERS OF REGISTRATION to Eugene Dominique Nicolle and Thomas Sutcliffe Mort, for an invention for refrigerating and purifying air in rooms or spaces, for refrigerating liquids and other substances, and for restoring the refrigerific salts employed in such refrigeration to their solid state again.

[Registered on the 29th day of January, 1876, in pursuance of the Act 16 Vic. No. 24.]

BY HIS EXCELLENCY SIR HERCULES GEORGE ROBERT ROBINSON, Knight Grand Cross of the Most Distinguished Order of Saint Michael and Saint George, Governor and Commander-in-Chief of the Colony of New South Wales and its Dependencies, and Vice-Admiral of the same.

TO ALL TO WHOM THESE PRESENTS SHALL COME, greeting:

WHEREAS EUGENE DOMINIQUE NICOLLE and THOMAS SUTCLIFFE MORT, both of the City of Sydney, in the Colony of New South Wales, have by their Petition humbly represented to me that they are the authors or designers of a certain invention or improvement in manufactures, that is to say, of an invention for refrigerating and purifying air in rooms or spaces, for refrigerating liquids and other substances, and for restoring the refrigerific salts employed in such refrigeration to their solid state again, which said invention in its combined form is styled "Nicolle and Mort's Concentrator, Refrigerator, and Temperator," and which said invention is more particularly described in the specification, marked A, and the four sheets of drawings, marked B, C, D, and E respectively; and that they, the said Petitioners, have deposited with the Honorable the Treasurer of the said Colony of New South Wales the sum of Twenty Pounds sterling, for defraying the expense of granting these Letters of Registration, as required by the Act of Council, sixteenth Victoria, number twenty-four; and have humbly prayed that I would be pleased to grant Letters of Registration, whereby the exclusive enjoyment and advantage of the said invention or improvement might be secured to them for a period of fourteen years: And I, being willing to give encouragement to all inventions and improvements in the arts or manufactures which may be for the public good, and having received a report favourable to the prayer of the said Petition from competent persons appointed by me to consider the matters stated therein, and to report thereon for my information, am pleased, with the advice of the Executive Council, and in exercise of the power and authority given to me by the said Act of Council, to grant, and do by these Letters of Registration grant unto the said Eugene Dominique Nicolle and Thomas Sutcliffe Mort, their executors, administrators, and assigns, the exclusive enjoyment and advantage of the said invention or improvement, for and during the term of fourteen years from the date hereof: to have, hold, and exercise unto the said Eugene Dominique Nicolle and Thomas Sutcliffe Mort, their executors, administrators, and assigns, the exclusive enjoyment and advantage thereof, for and during and unto the full end and term of fourteen years from the date of these presents next and immediately ensuing, and fully to be complete and ended: Provided always, that if the said Eugene Dominique Nicolle and Thomas Sutcliffe Mort shall not, within three days after the granting of these Letters of Registration, register the same in the proper office in the Supreme Court at Sydney, in the Colony of New South Wales, then these Letters of Registration, and all advantages whatsoever hereby granted, shall cease and become void.

In witness whereof, I have hereunto set my sign manual, and have caused the present Letters of Registration to be sealed with the seal of the said Colony of New South Wales, at Government House, Sydney, in New South Wales, this twenty-eighth day of January, in the year of our Lord one thousand eight hundred and seventy-six.

(L.S.)

HERCULES ROBINSON.

Nicolle & Mort's Concentrator, Refrigerator, and Temperator.

A.

SPECIFICATION.

TO ALL TO WHOM THESE PRESENTS SHALL COME: We, EUGENE DOMINIQUE NICOLLE and THOMAS SUTCLIFFE MORT, both of Sydney, in the Colony of New South Wales, send greeting:

WHEREAS we are desirous of obtaining Letters of Registration for securing unto us Her Majesty's Special License that we, our executors, administrators, and assigns, or such other as we or they should at any time agree with and no others, should or lawfully might from time to time and at all times during the term of fourteen years, to be computed from the day on which this instrument is left at the office of the Colonial Secretary in Sydney, make, use, exercise, and vend within the Colony of New South Wales an invention for refrigerating and purifying air in rooms or spaces, for refrigerating liquids and other substances, and for restoring the frigorific salts employed in such refrigeration to their solid state again, and which invention in its combined form we style "Nicolle and Mort's Concentrator, Refrigerator, and Temperator"; and in order to obtain the said Letters of Registration we must by an instrument in writing under our hands particularly describe and ascertain the nature of the said invention, and in what manner the same is to be performed:

NOW KNOW YE, that we, the said EUGENE DOMINIQUE NICOLLE and THOMAS SUTCLIFFE MORT, do hereby declare the nature of the said invention and the manner performed to be particularly described and ascertained in and by the following statement and description, reference being had to the drawings hereunto annexed, and to the letters and figures marked thereon, which indicate the parts therein referred to, and herein particularly explained (that is to say):—

Our invention is to obtain artificial cold under the greatest simplicity and economy, by the use of frigorific salts in consolidated shapes or blocks, instead of in the ordinary crystallized form, and by which method very large advantages are obtained.

To put the salt in this condition, we use a concentrator, which effects its object at a minimum consumption of fuel without loss of any of the component parts of the salts, and which is so worked as to avoid the use of pumps in the passing of the liquor from vessel to vessel, its whole construction especially fitting it for use on board ship.

The machines we employ for producing artificial cold with these salts are shown in three forms.

1st. As used for domestic and minor purposes.

2nd. As employed for refrigerating on a large scale, by acting upon a liquid vehicle by conduction. This is especially applicable for cargoes of meat.

3rd. Where we use air as the medium, and which we cool by direct contact with the freezing agent.

Our modes of refrigerating may be adapted to every purpose for which cold is required. Churches, theatres, ships, railway cars, living rooms, and other spaces may be cooled, and the air purified at the same time. Hospitals and sick rooms may be disinfected, odorated, or medicated; and by introducing a heating agent into the apparatus instead of a cooling one, they may be warmed instead of cooled, purification being effected at the same time. Water and other substances may be refrigerated, cargoes of meat and stores of food preserved, or their frozen condition maintained,—in fact, for purposes of refrigeration their application is universal.

Figure 1 is a sectional elevation of our concentrator.

Figure 2 is a sectional elevation of our refrigerating apparatus as applied to domestic purposes.

Figure 3 is a sectional elevation of our refrigerating apparatus as applied to more extensive requirements, and where the cold is carried through the medium of a fluid.

Figure 4 is a sectional elevation of our refrigerating apparatus as arranged for cooling air and other gases, by direct contact with the refrigerating agent.

We now proceed to describe the various portions of the "concentrator," reference being made to the plan hereunto attached.

FIGURE 1.

A is a vacuum pan for concentrating the salt solution by evaporation.

This pan is fitted with an internal heating coil with admission and emission cocks. It is also fitted with steam pet cock connected with main steam pipe, for the purpose of forcing the air out of the pan by jet of steam.

At the bottom of it is a delivery valve for letting off the concentrated solution, and on the top is a stop-valve. The latter is for connecting with or shutting off communication with A'. There is also a connection at the side of this vessel fitted with a cock for leading the fluid from the evaporator B into itself.

A' is the priming vessel, the object of which is to receive any of the solution which may be lifted by the vapour during concentration. This vessel is connected with pan A by downward pipe and with the coil and the vessel B by upward pipe, as indicated in the plan.

B is a heating and vacuum evaporator, fitted also internally with heating coil, a branch of which leads into the vapour space of the vessel itself, the coil being connected by pipe and stop-cock with similar coil in vessel B'. This vessel B is also connected at the bottom by pipe and stop-cock with the vessel B'.

B' is also a heating and vacuum evaporator, similarly constructed to vessel B, and having in addition a steam pet cock connected with the main steam pipe. It is also connected with the surface condenser C by a pipe fitted with a stop-cock, and also with the solution tender E by a siphon pipe fitted with a stop-cock. These vessels B and B' are continuations of the pan A; their object being to utilize the waste heat coming from the pan A in further evaporating, and in preparing the liquor for finishing in the pan.

C is a surface condenser fitted with internal coil, or other substitute, for passing refrigerating water through. This vessel is connected with the distilled liquid receiver D by pipe and stop-cock, and it is also provided with a vacuum gauge.

D

Nicolle & Mort's Concentrator, Refrigerator, and Temperator.

D is the distilled liquid receiver, fitted at top with pet steam cock and pipe, which connection leads to the main steam pipe. At the bottom of this vessel are fitted an air cock and a delivery cock, the latter leading into the exchanger in the refrigerator.

E is a solution tank to which the air has access, into which the siphon pipe from vessel B is conducted near to its bottom. This vessel is also connected with the priming vessel A', and the solution supply pipe coming from the exchanger of the refrigerator; each provided with a stop-cock. This vessel has an exchanging coil in it, which is connected with the delivery valve of the pan A at one end, and by delivery pipe and cock with the mould F at the other.

F is a mould to receive the concentrated solution. This mould is by preference circular, having a hole through its centre, and fitted with side guides corresponding with the slots into which they have to drop in cylinder H, fig. 2.

G is a tank for receiving the condensed water resulting from the steam or other condensed liquid which passes through the coil in the vacuum pan. The various vessels are fitted with level gauges.

MODE OF WORKING THE APPARATUS.

Preparations for charging.

The tank E having been filled with the saturated solution to be evaporated, by preference nitrate of ammonia and steam, or other heating agent, by preference steam, being at command, open the stop-cock of the vessel A, and see that all the cocks communicating from that vessel to the distilled liquid tank D are open, including the air cock in that vessel, so as to form a free passage through the apparatus. See that all the other cocks are shut, and then let in steam by the pet cock, which is situated immediately above the heating coil in vessel A, until all the air is expelled through the air cock. Now shut off the steam, and shut the air cock. Open the cold water supply cock leading into the bottom of the surface condenser C, so as to allow the water to pass upwards through the coil. Open the cock at the vacuum gauge, and see that a vacuum has been established.

Charging.

Open the siphon cock leading into the solution tank E, also the feed-cock between B and A', and allow the liquor in tank E, which will ascend by the external atmospheric pressure, to flow into the vessels B and B', and on to the pan A, until the liquor has reached the point marked on the level gauge. Now shut that stop-cock, and regulate the amount of liquid in B and B' according to the level indicated in plan, or thereabout, and then shut the two siphon cocks between B and E, and open the coil stop-cock leading from the coil in B to that in B'.

Evaporating.

Now begin work by opening the steam cock leading into the heating coil in pan A, and also the cock at the end of the coil leading into the condensed liquid tank G; on the application of the heat to the solution, it will begin to evaporate at a low temperature, under the influence of the vacuum. The hot vapour resulting therefrom will pass through the priming vessel A', and enter into the heating coil of B, through which it will find its way to the coil in B', whence it is led into the surface condenser, where it is immediately condensed by contact with the refrigerating coil, therein eventually finding its way into the distilled liquid tank D.

Should the heat be applied too quickly and priming result, the downward pipe in the vessel A' will lead the mixed vapour and solution into the bottom of that vessel, where by the level gauge its presence will be seen, and its removal must be effected by applying steam pressure through the steam pet cock, and opening the purging cock into that vessel E. During this operation the cock between the vessels B' and C must be temporarily closed. The hot vapour in passing through the heating coils in B and B' causes the liquid in those vessels to evaporate, and which vapour is drawn by vapour pipes connected with each heating coil, mixing with the vapour from vessel A, eventually finding its way into the vessel D, as before described.

When the proper amount of water has been abstracted from the liquid in the vessel A to produce the desired concentration, and which will, after a short experience, be ascertained by the amount of liquid recovered in the vessel D, by the level gauge on that vessel,—this being accomplished, shut the stop-valve of the concentrating pan A, also shut the steam off, and open the pet steam cock until a slight pressure is established in the pan A, when, on opening the delivery cock leading into the mould E, the concentrated solution will flow through the coil placed in the tank E, imparting its heat to the solution in that vessel, and which is the next to be acted upon. When one mould is filled, replace it with an empty one, and continue drawing off until the pan is empty. Now shut the delivery cock, and open the stop-valve at the top of the vessel A, and the vacuum will be again obtained. This done, open the stop-cock between the vessel B and the concentrator A, and the liquid in B will, by gravitation, fall into the concentrator A. When B is empty, shut the stop-cock and also the vapour coil cock between B and B' together with the cock between B' and condenser C. Now open the pet steam cock on the dome of the vessel B', and the pressure of steam will force the liquid in B' into the vessel B. When that is effected, shut the pet steam cock, and open the two cocks previously shut, and the vacuum will be restored, upon which the vessel B' will be refilled by opening the siphon cock leading into the tank E. Proceed as before by opening steam cock into heating coil, and so on in manner herein described.

Although we have described the manipulation by steam, which we use by preference, the same object may be effected by atmospheric air or other medium. Although we obtain the vacuum under which we work by preference in the manner described, we produce the same effect where steam is not at command, by dry heat applied under the use of an air pump connected with the vessel D, and which, in order to secure continuity in our operations in the mode herein described, and which might be interrupted by leakage in the pipes or vessels, we ourselves complete our apparatus by attaching an air pump, in order to abstract the air which would enter through the leaky places.

Having

Nicolle & Mort's Concentrator, Refrigerator, and Temperator.

Having fully described the mode by which we obtain the concentrated salt which on cooling solidifies, it is now converted into our cold-producing agent, occupying only half the bulk of that obtained by crystallization in the mother liquor in the usual way. In this state the salt possesses a larger freezing power, and less affinity for atmospheric moisture, absolutely protected as it is, except on its upper surface. In this solid form it is introduced in its own mould into the vessel H.

We now proceed to describe the various portions of the "Domestic Refrigerating Apparatus," reference being made to the plan hereunto attached.

FIGURE 2.

- A is the refrigerating well.
 B is an agitator for disturbing the salt.
 C is a dome through which the shaft worked by the handle passes.
 DD is a circular channel fitted with india-rubber, fitting air-tight on the top of well A.
 E is a turned pin on which a shaft revolves.
 F is a socket into which the pin E is tightly fitted.
 H is an outer cylinder made of wood or other non-conducting substance.
 II are ice moulds made of good conducting substance.
 J is a fine strainer for the double purpose of admitting the air and straining the spent liquor.
 N.B.—The air might be made to pass in by pipes leading from the top to the bottom of the well, instead of by strainer.
 K is a flexible pipe for passing the spent liquor from the well A into the spent liquor tank O.
 L is a flexible pipe connecting the exchanger with the cold water tender T.
 M is the outer pipe of the exchanger N; one end of it receiving the solution from the well A, and discharging it at the other into the vessel O by the pipe K.
 N is the temperature exchanger, and which consists of one or more pipes coiled within another pipe or pipes, in which the colder liquor is made to pass in through one set of pipes in an opposite direction to the warmer fluid in the other pipes.
 O is a vessel into which the saturated salt solution flows after having done its work. This vessel may, for convenience, be an evaporating pan.
 PP are handles to the evaporating pan.
 Q is a fresh water tender.
 R is a cock which when opened allows the water to flow from the water tender Q through the exchanger coil on its way to the vessel T.
 S is a flexible pipe connecting the water tender Q with the inner coil of the exchanger.
 T is the cold water tender for receiving the water from the vessel Q after it has passed through the exchanger.
 U is a flexible tube connected with the tank T for filling the ice moulds II.
 V is the inlet pipe or channel through which the air is propelled when the apparatus is used for cooling that gas.
 V' is an outer channel surrounding the well A leading the air to the perforated portion of that vessel.
 W is the outlet pipe or channel through which the air passes after having been refrigerated.
 X is a frame fitted with one or more divisions of metallic or other gauze. This gauze is for the purpose of arresting any particles of solution which may pass with the air.
 Y is a receiving vessel fitted with a draining pipe, which latter is connected with the frame X. This vessel is fitted with a stop-cock for removing any fluid which may find its way there.
 Z is a chamber or vessel fitted with wire or perforated trays resting upon each other, for the purpose of holding loosely chloride of calcium or other moisture-absorbing substance. This vessel is fitted with an air-tight cover at the top and at the bottom with an air-tight drawer, the latter to catch droppings or drainings. There is a space between the drawers and the bottom tray, and open communication with Z', by which the air passes into that vessel.
 Z' is a vessel similarly constructed, for the purpose of holding pieces of quick or slacked lime. A fine perforated bonnet fits over the top tray in this vessel, and also in the vessel Z.
 Z'' is a close chamber in which are one or more frames of flannel, or other good water-absorbing substance, each supplied with water from above, or dipping in water contained in a drawer or tank at the bottom. This is only required when refrigerating mixtures are not used.
 Z''' is the pipe or channel through which the air passes out. A cap is fitted on this when the apparatus is not at work, to prevent the air getting in. This outlet pipe is connected with the space desired to be cooled, and that space again connected with the air-propeller, so as to complete the continuous circuit. It is also to this outlet pipe that meat safes, vessels, or chambers requiring to be cooled must be connected either to be acted upon by direct contact or by transmission through metallic substances. The exit pipe going to the suction valve of the air propeller.

MODUS OPERANDI.

We will first describe the way in which we should use our domestic apparatus for the production of ice.

Preliminary Cooling Charge.

Having arranged the water tender Q about 4 feet above the machine on a shelf or bracket, and made the connection with the machine by flexible tube S, first see the water cock R and regulator K are closed, then fill the water tender Q with the water intended to be used for freezing and drinking. (This tender Q should always be kept full.) Then open the cock R, and allow the water to flow into the vessel T up to the bottom of the mark 9 on the inside of that vessel. Now remove covers G and H, fill the ice moulds within 2 inches of the top by the tube U, replace cover H, to prevent the salt falling into the moulds, then allow the remainder of the water in vessel T to flow into the well A. This done, put on the funnel, and introduce into the refrigerating well A about six pounds more or less of the salt, say nitrate of

Nicolle & Mort's Concentrator, Refrigerator, and Temperator.

of ammonia, according to the temperature and the climate, which will fill the well A up to the lead ring W inside. (Note that whatever quantity of salt by weight is used, where the salt is nitrate of ammonia, the same quantity by weight also of water must be used; and to obtain the greatest amount of cooling power it is essential that the salt should be absolutely dry, or as near thereto as possible.) Now replace the cover G, and put the agitator moderately in motion by turning the handle B, and the whole of the salt will be quickly dissolved, and the water in the ice moulds reduced to the temperature of the solution. (Note.—Should it be found difficult to move the agitator, raise the ice moulds slightly, turning the handle B at the same time from left to right, which is the proper direction to move in.) Allow this charge to remain in, giving an occasional turn of the handle for about ten minutes if the weather be hot, or fifteen if cool, then proceed to the freezing charge.

Freezing Charge.

Have your next charge of salt ready, remove cover G, put on funnel, open water-cock R, and observe when the water begins to flow into vessel T; then open the regulator K to the first notch, and as the solution in well A falls, owing to its passing by the tube M into the tank O, keep adding salt until the whole is introduced, care being taken not to raise the solution above the ring W, lest it might get into the moulds. By this process the salt will be cooled to the temperature of the solution. When the whole of the charge of salt is introduced into the well A, open the regulator K to the second or third notch, taking care to have the flow by cock R and at the notch K so regulated as to ensure the water in vessel T reaching the mark 9 at the same time as the solution in well A has drained off, which latter will be easily perceived by taking out the plug M, and applying the ear to the opening, or by moving the handle, which will become set if the draining is properly effected. Now shut first the regulator K and then the cock R, then introduce by the tube U the water from vessel T into the well A up to the bottom of ring W, same as before, put on cover G, and agitate by handle B for two or three minutes, which movement repeat occasionally, and in half-an-hour the water in the moulds will be frozen. With the water remaining in vessel T, fill the second spare set of moulds ready to replace immediately the first set when frozen and taken out; allow the second spare set of moulds to remain in the solution ten to fifteen minutes, then proceed with another freezing charge as before. This may be repeated until the requisite quantity of ice is obtained. Much time will be gained where continuous work is the object, by taking the ice moulds out of the well before the centres of the cakes are quite frozen, as the inherent cold in the ice will finish them if the moulds as taken out are put together and plunged in sawdust; the second set of moulds (being ready filled with the water next to be frozen) must of course immediately replace those removed. In this way the quantity of ice may be increased, and the cold left in the solution utilized up to twenty-eight degrees, which temperature the liquor in the well must attain before it is allowed to exchange with the salt and the water for the next charge. To get the ice out of the moulds readily, dip them in a little water at the ordinary temperature of the atmosphere. The solution ought not to be allowed to leave the well to exchange with next charge below a temperature of twenty-eight degrees Fahrenheit, otherwise there is a risk of freezing the pipes.

To refrigerate Water.

When only refrigerated water is required, the ice moulds should not be put in, the charge of salt should be increased, the well A filled up to the top, and agitated till all the salt is dissolved, the water should then be allowed to flow into the vessel T, by opening cock R and regulator K. (If the flow of water and solution is carefully adjusted, the exchange of temperatures will be perfect.) Should the water vessel T become full before the well A is drained, the cold water must be taken off by the tube U into another vessel, as the regulator K must be shut down tight before the cock R is stopped, otherwise the water in pipe will be frozen. This charge will refrigerate about twenty pounds, or two gallons of water. Should a smaller quantity be required, the charge must be reduced in proportion.

Cooling Air.

Where we use the machine for cooling and purifying air rapidly, we place equal portions (if nitrate of ammonia be used) of the salt and water into well A, filling the trays in the vessel Z with fragments of chloride of calcium, or other moisture-absorbing substance, and the vessel Z' with pieces of quick or slacked lime, or other substance capable of taking up carbonic acid gas. Care must be taken that the covers and drawers of the various vessels are firmly replaced, so as to prevent escape of air, and the bonnet removed from the exit pipe. We now connect the exit pipe with the space or chamber intended to be cooled, and the suction pipe of the air-propeller with the same space or chamber, so as to ensure circulation. It is scarcely necessary to say that the space to be acted upon should be as perfectly closed as may be against the admission of the external air.

We now set the air-propeller in motion, and which may be a fan, pump, blower, bellows, or other air-propeller, by preference a pump, and worked by hand or other motive power, and at the same time turn the handle, so as to allow the air to pass through and amongst the salt and water. The effect will be an immediate reduction of temperature to the extent of the refrigerating power of the solution, and which will be found to be about fourteen pounds of salt for 750 cubic feet of air, starting at 80° and reducing to 32°.

Noiseless and frictionless Air-propeller.

We use in preference an oscillating cylinder with piston fitting the cylinder sufficiently near to propel the air, and loose enough to prevent friction by rubbing internally. The arrangement of the air-propeller enables us to work at high speed without producing heat resulting from friction. It is made to act single or double effect, and capable of overcoming deep seal of fluid.

Having

Nicolle & Mort's Concentrator, Refrigerator, and Temperator.

Having exhausted the source of cold in the first charge, we proceed to place fresh salt in well A, and to exchange the temperature of the water, &c., as in the case of ice-making before described. Again, we set the air-propeller in motion, at the same time turning the handle of the propeller B, and an intensified cold is the result, which may be increased up to the refrigerating power of the salt, when exchanged or iced water and cooled salt are used.

Having described the cooling action of the apparatus, we now explain the uses of the chloride of calcium and lime. It is well known that the former has a great affinity—when either in the fixed or crystallized condition—for water, as well as a large destructive power over miasm or germs of infection, whilst lime, owing to its great affinity for carbonic acid gas and moisture, completes the purification of the air passed through these agents.

The foregoing will show that, whilst we have cooled the air, we have also purified and desiccated it, the balance of oxygen being supplied by the inevitable fissures in windows, doors, fire-places, or other openings.

The description given thus far has reference simply to cooling and purifying rooms or spaces; but it will be obvious that chambers such as Z, Z', and Z'', may be added to suit any special requirements. In the ordinary cooling of a room where only a moderate reduction of temperature is sought, it will not be worth while to use the exchanger or the refrigerating salt, as by passing the air through the empty well A, thence through the chloride of calcium and lime chambers, and on through the wet flannels in the chambers Z', a sufficient reduction of temperature will be obtained, particularly when the suction pipe is made to draw from the space which is being cooled. Where ice is at command, it may be advantageously used to increase the cold either in the refrigerating well with the salt, or in the cold water supply in the chamber Z''. It will of course be unnecessary to use the water chamber Z'' when the refrigerating well is used with refrigerating salt, unless for the purpose of imparting odours to the air, such as Eau-de-Cologne, or for medicating the air with sulphurous or carbolic acid, &c., when this chamber will be found useful, as the water space may be made a convenient receptacle for adding the substances sought to be mixed with the air passing, as they will be taken by capillary attraction into the blankets through which the air will pass.

It may be well also to state at this point that where it is desired to heat a room or space, boiled water or boiled salts and water may be introduced into the refrigerating well, in lieu of the frigorific salt, and by a simple contrivance the water may be kept hot by spirit or other lamp burning underneath.

Our machine is capable of various applications where the air-propeller is sought to be avoided. We will describe a few of them. On board ship the lower end of the windsail may be made to conduct the air to the inlet channel V. For the cooling of railway cars and meat vans, we affix as many of the compartments as we require in or under the car or van, and attach a trumpet-mouthed funnel covered with gauze to the opening to the air channel V, taking care that the funnel is at the going end, so as to take in the full air, as the vehicle goes along. Of course the vehicles to be cooled should be kept as well protected against the admission of the outer air as may be—a small outlet only being required to create current. Rooms, meat safes, or spaces, may be kept cool by carrying a funnel-mouthed pipe to the top or other exposed part of the house, and connecting the pipe with the space to be cooled or ventilated, the outlet from such space being made to lead into the chimney or other warmest part of the room or space. The funnel or hood which receives the wind must of course be made to move with the wind, so as always to face it.

Having described figures 1 and 2, we now proceed to describe our refrigerating apparatus as applied to more extensive requirements where the cold is carried through the medium of a fluid.

FIGURE 3.

H is a vertical internal cylinder surrounded by another cylinder, the spaces between the two being protected by a non-conductor. These vessels are fixed upon another vessel marked H'. The lower portion of the cylinder H is a corrugated cone, underneath which is a bracket through which the vertical shaft J revolves. At each side of this vessel is a slot corresponding with the depth of the salt mould F. H' is a cylindrical vessel, also surrounded by a non-conducting substance.

I is a hollow base upon which the cylinders H and H' rest, through the centre of which the upper portion of the vertical shaft rotates in a stuffing-box, and revolves in a bearing fitted in a bracket at the lower portion.

J is a vertical shaft or spindle for giving motion to the several parts attached to it.

K is a driving pulley.

LLLLL are stirrers having several corrugated blades, and fixed on to the shaft J.

M is a conical corrugated disc, upon which the knives which cut the salt are secured. This disc is fitted on to the shaft. By preference the knives are serrated, in order to increase their cutting surface.

F is the concentrated salt mould as described in connection with fig. 1.

N is a self-compensating lever for regulating the pressure of the salt upon the knives affixed to disc M. This lever is fitted with a balance weight, pulleys, and suspending chains.

OOOOO. These are hollow corrugated discs; three of which are flat, and two conical, and are connected by suitable pipes. The flat discs are fixed in the cylinder H at intervals, and the conical ones form a close joint against the cylinder. In lieu of these hollow discs, pipes coiled in spiral or other form may be used, the medium flowing through the pipes, and the salt and solution going over their surface; indeed we use these pipes by preference. Each of these coils is made to rest in a tray of sufficient depth, to insure their immersion. When we use pipes instead of hollow discs, we place them by preference parallel to each other and horizontally, the shaft passing through their centre in the same way as in the discs. When the pipes are used, brushes affixed to the stirrers are by preference employed to spread the salt and solution. These discs or coils may be increased or diminished in number or surface; the object being to cool fractionally, and thereby ensure that the vehicle or medium shall gradually give off its heat, and be enabled to leave the upper disc or coil at the temperature which the solution gives at that point, and which will be its extremest cold.

Nicolle & Mort's Concentrator, Refrigerator, and Temperator.

P is the water regulator, composed of an oscillating lever fitted at one end with a perforated vessel, and in the middle with a rod connected with the balance lever of the water delivery cock.

Q is a supply water pipe leading into the injector, fitted with the regulating cock, and immediately below the regulating cock is a stop cock.

R is a water injector. This is composed of a circular pipe fitted with several jets.

S is the ice and cold water box, and which is placed on an incline.

T is the temperature exchanger, composed of one or more pipes in one or more channels open or closed, made of good conducting material, by preference metal, and placed in other pipes or channels made of bad conducting material, by preference india-rubber, gutta-percha, or wood; the inlet or inlets to one or more of the pipes or channels being where the outlet or outlets of the other or others is or are. The object of this exchanger is to exchange temperatures between two liquids flowing in opposite directions without mixture of the liquids, and at the same time to reduce to a minimum the loss caused by radiation and conduction.

U is a salt cooler placed above the level of the refrigerator, in order to obtain gravitation power.

V is a distilled liquid tank; when nitrate of ammonia is used this liquid will be water.

MODE OF WORKING.

Having filled the tank Y with the distilled water obtained during the concentration, it will pass through the temperature exchanger T by gravitation, and rise after exchanging temperature with the spent liquor to the injector R. We now invert the mould F containing the solidified salt, and place it in its inverted position on to the shaft J, which latter passes through the hole in its centre, the ribs on the sides of the moulds fitting into the vertical slots of the cylinder H. In this position it rests upon the knives. We now hook the chains on to the mould, which brings the compensating lever N into a horizontal position, and so balances the mould as to ensure an equal and constant pressure on the knives during the process of cutting.

Water must be placed in the moulds fitted in the ice box S, and the refrigerating medium having been prepared, by preference, liquor of ammonia of a strength which will not congeal at the temperature required to be obtained, and the necessary connections having been made with the suction and delivery ends of the circulating pump, the pump is set in motion, and circulation takes place through the hollow discs or pipes, as indicated by the arrows on the plan, and thence through the rooms or troughs or spaces where the cold may be required to act. Where the cooling of the rooms or spaces by air is the object desired, the connections with the liquid pump must be removed, and the cooling medium withdrawn from the hollow discs, and connection made at same points with the air pump, fan, or other contrivance for forcing in air, the air being made to enter by the lower pipe and to pass out by the upper one. Much better results will however be obtained by cooling air by direct contact as in figure 4. We now cause the shaft J to revolve by the pulley K, which latter may be moved by hand or other motive power, and open the distilled water stop-cock underneath the regulator, which causes the water to flow from the distilled water tank V through the exchanger and the injector R, which latter causes it to divide to a spray, and to play against the face of the solidified salt, which, by the rotation of the disc M on to which the knives are secured, causes the salt to be cut or scraped into fine particles, which particles coming in contact with the spray, causes the first step to take place in the dissolution of the salt, and consequent production of cold. This mixture of salt and solution is carried by gravitation and current on to the conical disc M; the corrugations in which, fitting as they do into like corrugations on the lower portion of the cylinder, assisted by the rotatory motion, cause a continuous movement of the particles, and so promote further dissolution.

This solution and the undissolved particles of salt having attained their maximum degree of reduction of temperature, are now conveyed by the cone to the centre of the hollow disc O, where by the stirrer L they are spread and conducted to the outer rim of the disc, whilst by the circulation of the medium within the disc, heat is supplied, which causes further dissolution of the salt, and a consequent further reduction in the temperature of the circulating medium.

This process goes on as the solution and the salt pass over each of the hollow discs, meeting the medium as it ascends in an opposite direction.

The solution having reached the bottom disc is led through a pipe into the perforated vessel wherein any undissolved particles are arrested. The accumulation of this salt disturbs the equilibrium, and causes the regulating water cock to admit an increased flow into the injector by which an increased dissolution of the salt takes place, and so an exact adjustment of water and salt is secured. The solution having been strained through the perforated vessel, escapes into the ice and cold water box, where its cold is mainly absorbed; thence passing into the temperature exchanger T, it imparts the remainder of its cold to the water coming from vessel V on its way to the injector, the spent liquor itself passing through the salt cooler U, depositing itself at last in the solution tank E.

We may here mention that in the event of the ammoniacal solution employed by us in preference as our medium for carrying the cold passing by accidental leakage into the nitrate of ammonia solution, which we also use by preference, it will be necessary to restore the solution to its original condition by neutralizing the distilled water given off during evaporation by the addition of nitric acid, thus reforming it into nitrate of ammonia.

Having described fig. 3, with its *modus operandi*, we now proceed to give a description of the refrigerating apparatus as arranged for cooling air and other gases, by direct contact with the refrigerating agent.

FIGURE 4.

Those portions of the machine which are similar to those in fig. 3 are explained by the description given under that figure, and the other portion we now proceed to describe.

P. The salt regulator, but varied from that described in connection with fig. 3, as, in connection with the refrigeration of air, it is necessary to seal the delivery pipe in the strainer to an extent in excess of the resistance offered by the passage of air through the refrigerating plates, which will necessitate the delivery of the spent liquor being on the level marked in plan as P'

Nicolle & Mort's Concentrator, Refrigerator, and Temperator.

1 is the inlet pipe or channel through which the air is propelled. The outlet of this pipe is under the centre of the sealed dome in which the cold solution flows.

2 is a dome, on the upper portion of which is a cap into which the liquor from the upper plate falls, and as it rises above the edge of the cup overflows, meeting the current of air which passes through it, thus commencing its refrigeration of the air, and finally passing out by the pipe P into the ice box S.

33333333 are evaporating plates, each of them being minutely perforated over the whole surface, so as to allow a passage of air to be forced through them. A delivery pipe is fitted upon each at alternate ends, projecting upon the upper surface of the plate to the desired amount of seal or depth of liquid, say about $\frac{1}{2}$ inch; on the lowest plate is fixed a pipe immediately over the cup at the top of the dome 2. The plates may be increased or diminished in number or surface, as also the depth of seal.

4 is the exit pipe through which the refrigerated air passes to the space it is intended to refrigerate. In reference to the working of this portion of the apparatus, it is only necessary to say that air is forced in by the propeller at the inlet pipe 1, and goes out to do its work at the exit pipe 4, having passed through the various plates, and thus being fractionally refrigerated. The applications of the additional compartments for desiccating, purifying, deodorizing, as also for cooling, by evaporation of water, may of course be added to this apparatus, as in fig. 2, and the directions therein followed generally, and the pipes may be connected with the spaces to be acted upon at one end, and with the suction pipe at the other, by flexible or other tube or channel, or in either apparatus they may be made to draw from the outer air, and to discharge into the space to be acted upon. The use of the temperature exchanger must also be availed of to accomplish extreme cold, as in the domestic machine; indeed the temperature exchanger is the soul of the apparatus where intensity of cold is sought, and without loss of the cold which would otherwise be wasted. Although we have shown certain forms of vessels, &c., and arrangements of same, we do not confine ourselves to such forms or arrangements, as it is obvious that other forms and other arrangements might be employed, which would effect the same purposes, but, by preference we use them as shown in the plan and described in the specification. Some of the vessels might be avoided, as in the evaporator for instance, but only at a loss of economy; and where desiccation or purification was not the object, the chloride of calcium and lime chambers for instance might be left out, and in lieu of the well A, a simple vessel might be substituted to hold the cooling agent into which the air was propelled, but of course the same advantageous results would not be ensured at all points. It is necessary to be understood that the whole of the vessels or pipes which come in contact with the salts employed must be made of material which will not be affected thereby; by preference we use pure tin or enamelled iron.

We would mention that although we have only spoken of using moulded salt in the vessels described in figs. 3 and 4, loose crystallized salt may be used, by removing the mould F and substituting a feeder or other form of salt distributor. In the evaporator also we speak of evaporating to a point at which the salt will solidify in the mould, but our evaporator is equally applicable to the making of the ordinary crystallized salt, by drawing off the evaporated liquor at an earlier stage into cooling pans.

We may mention also that when we use our apparatus on board ship, we place it by preference on a swinging floor, so as to overcome the oscillations of the vessel, connecting it with the place or spaces to be cooled by flexible pipes or tubes.

Having described under each figure our several machines and the mode of working the same, we would have it understood that what we claim is the general arrangement of the several machines substantially as herein described and set forth, separately or in combination, and we specially claim:—

1st. The concentration of salt, such as nitrate of ammonia under vacuum, whereby we obtain the following advantages:—

- 1st. We avoid the production of mother liquor.
- 2nd. We evaporate with rapidity without risk of loss of component parts; this latter being due to the low temperature at which we work, as compared with that at which the same point of concentration could be reached in open pan in same time without loss.
- 3rd. We obtain reduction of bulk to its minimum upon cooling.
- 4th. Absorption of moisture after consolidation is mainly prevented, owing to the comparatively small surface exposed.
- 5th. The full refrigerating power of the salt is secured.
- 6th. We recover the whole of the salt in solution in condition for immediate use, *i.e.*, in those solid blocks or forms suited to our requirements.

2nd. The use of concreted or consolidated salt in connection with the reduction of cold in shapes or blocks, or other consolidated form, resulting from the concentrated liquor being run into shapes or moulds after concentration whilst in a state of fusion.

3rd. The use of dilute liquor of ammonia as a medium for conveying the cold to the rooms or spaces to be acted upon when nitrate of ammonia is employed; as, in case of leakage, we prevent the introduction of any foreign agent which might decompose the salt, and so interfere with the refrigerating power, and by neutralization with nitric acid we convert the fluid which has got in by leakage into nitrate of ammonia itself.

4th. The arrangement for refrigerating liquids, as also air and other gases, by fractional cooling, by passing it through a series of (by preference horizontal) sealed perforated plates or discs or coils, the liquids in the discs or coils, and the air and other gases meeting the cooling agent at the bottom at its warmest, and gradually ascending, and as they ascend being as gradually cooled, passing out at the top where the refrigerating agent is the coolest.

5th. The temperature exchanger T which enables us to exchange the temperature of two liquids with the minimum of loss arising from radiation and conduction.

W. EDYE MORT,

(For EUGENE DOMINIQUE NICOLLE and THOMAS STUTCLIFFE MORT).

Sydney, N.S.W., Dec. 24, 1875.

This

Nicolle & Mort's Concentrator, Refrigerator, and Temperator.

This is the specification marked A, referred to in the annexed Letters of Registration, granted to Eugene Dominique Nicolle and Thomas Sutcliffe Mort, this twenty-eighth day of January, 1876.

HERCULES ROBINSON.

REPORT.

SIR,

Sydney, 6 January, 1876.

In the matter of the application of Messrs. Nicolle and Mort for Letters of Registration for an invention styled a "Concentrator, Refrigerator, and Temperator," which has been referred to us, we have examined the specification and drawings accompanying the same, and have now the honor to report that we see no objection to the issue of Letters of Registration as prayed for.

We have, &c.,
J. SMITH,
CHAS. WATT.

THE PRINCIPAL UNDER SECRETARY.

[Drawings--four sheets.]

NICOLLE AND MORT'S CONCENTRATOR REFRIGERATOR AND TEMPERATOR.

Sectional Elevation

Scale of Feet

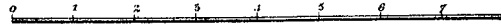
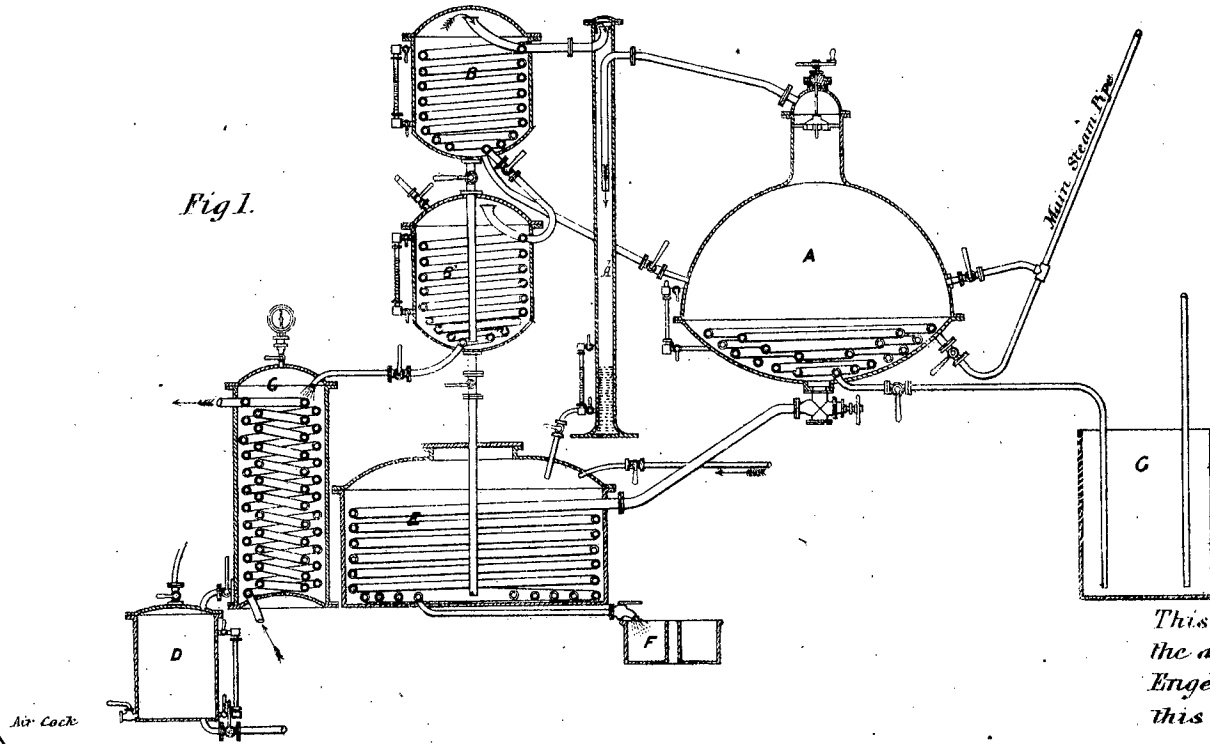


Fig. 1.



E. D. Nicolle.
 W. Edge Mort
 for Eugene Dominique Nicolle.
 Thomas Sutcliffe Mort.

This is the Sheet of Drawings marked B, referred to in the annexed Letters of Registration granted to Eugene Dominique Nicolle and Thomas Sutcliffe Mort this twenty eighth day of January 1876.

Hercules Robinson.

(513)

(Copy C.)

NO 504

NICOLLE AND MORT'S CONCENTRATOR, REFRIGERATOR, AND TEMPERATOR.

Scale of Feet.

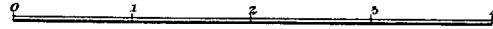
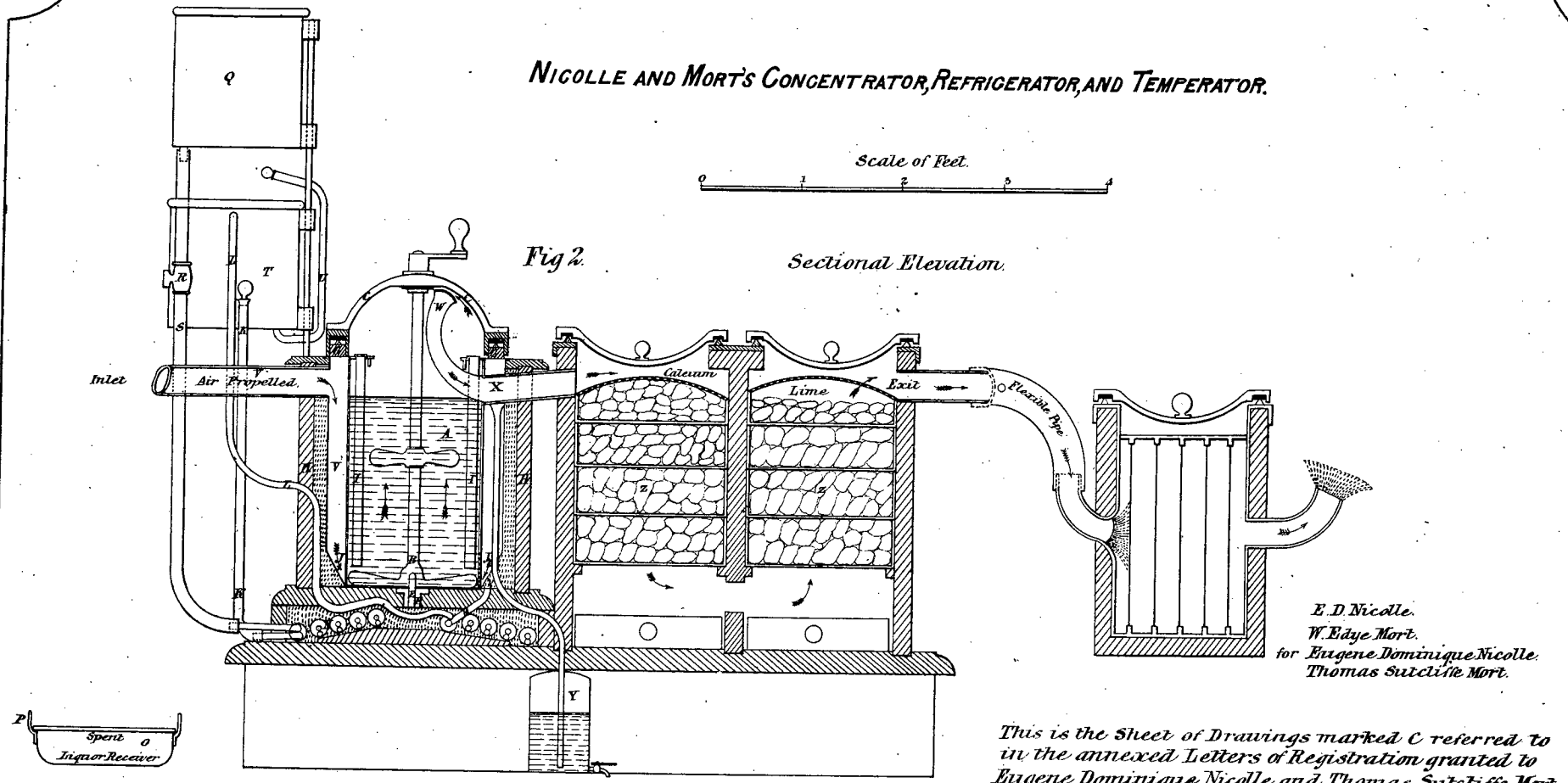


Fig 2.

Sectional Elevation.



E. D. Nicolle.
 W. Edye Mort.
 for Eugene Dominique Nicolle
 Thomas Sutcliffe Mort.

This is the Sheet of Drawings marked C referred to
 in the annexed Letters of Registration granted to
 Eugene Dominique Nicolle and Thomas Sutcliffe Mort
 this twenty eighth day of January 1876.

Hercules Robinson.

(Copy D.)

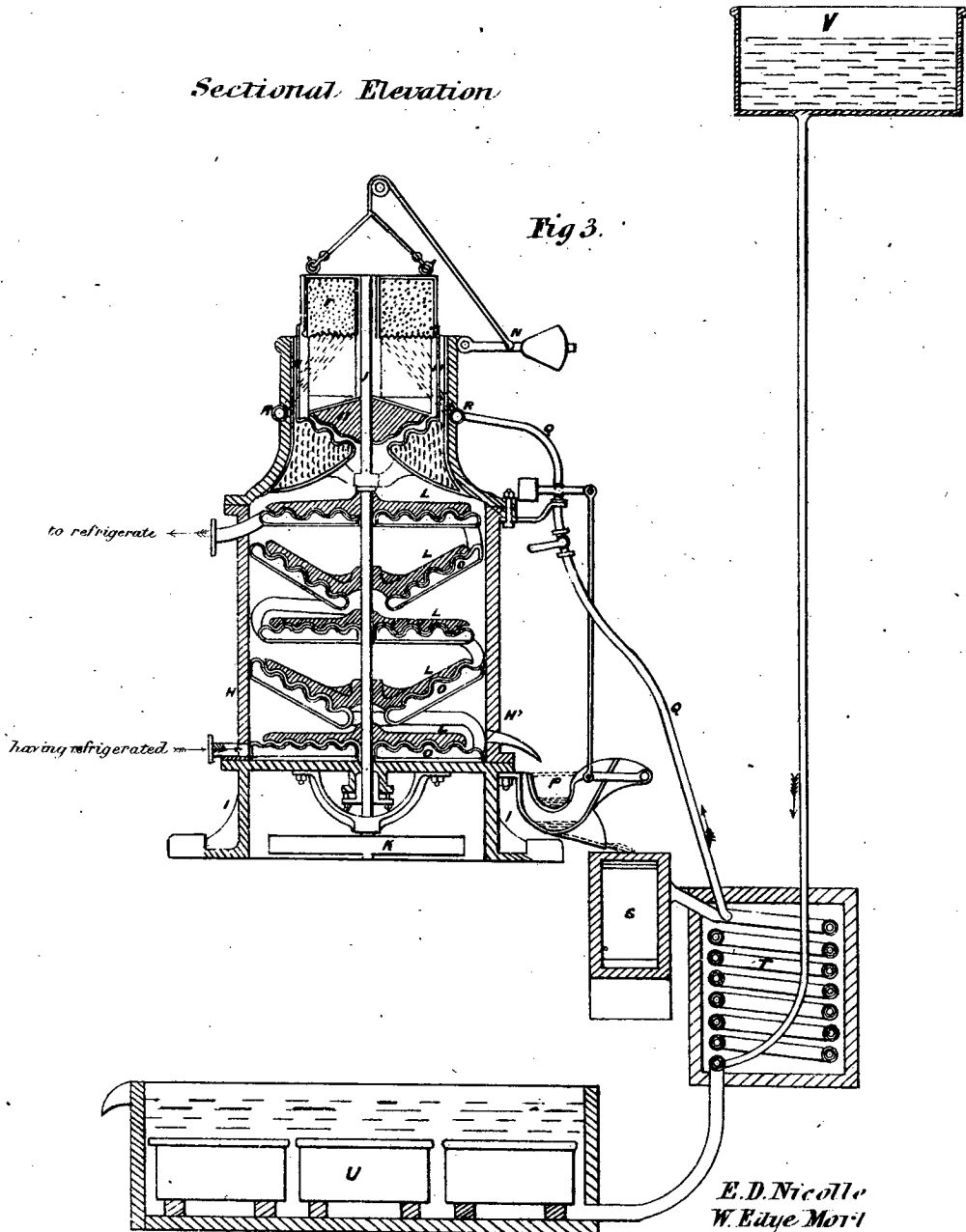
No 504.

NICOLLE AND MORT'S. CONCENTRATOR REFRIGERATOR AND TEMPERATOR.

Scale of Feet.



Sectional Elevation



E. D. Nicolle
W. Edge Mort
BY Eugene Dominique Nicolle.
Thomas Sutcliffe Mort.

This is the Sheet of Drawings referred to in the annexed letters of Registration granted to Eugene Dominique Nicolle and Thomas Sutcliffe Mort, this twenty eighth day of January 1876.

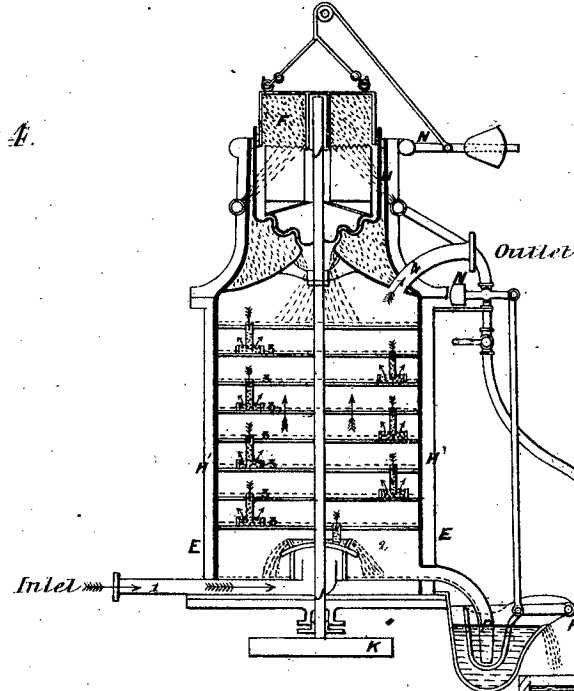
Hercules Robinson.

EB

NICOLLE AND MORT'S.
CONCENTRATOR REFRIGERATOR AND TEMPERATOR.

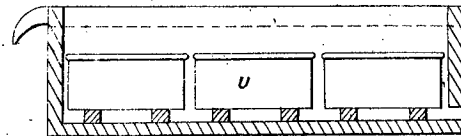


Fig 4.



Sectional Elevation.

E. D. Nicolle.
W. Edije Mort.
for Eugène Dominique Nicolle.
Thomas Sutcliffe Mort.



This is the Sheet of Drawings marked E referred to in the annexed Letters of Registration granted to Eugene Dominique Nicolle and Thomas Sutcliffe Mort this twenty eighth day of January 1876. Hercules Robinson.

C.B.

[21]



A.D. 1876, 20th January. No. 504A.

PROCESS FOR THE PRESERVING AND TREATING OF MEAT, &c.

LETTERS OF REGISTRATION to Henry Baldock, for a process for the preserving and treating of Meat and all animal substances or matter.

[Registered on the 22nd day of January, 1876, in pursuance of the Act 16 Vic. No. 24.]

BY HIS EXCELLENCY SIR HERCULES GEORGE ROBERT ROBINSON, Knight Grand Cross of the Most Distinguished Order of Saint Michael and Saint George, Governor and Commander-in-Chief of the Colony of New South Wales and its Dependencies, and Vice-Admiral of the same.

TO ALL TO WHOM THESE PRESENTS SHALL COME, greeting:

WHEREAS HENRY BALDOCK, of Sydney, in the Colony of New South Wales, hath by his Petition humbly represented to me that he is the author or designer of a certain invention or improvement in manufactures, that is to say, of an invention of a "Process for the preserving and treating of Meat and all animal substances or matter," which is more particularly described in the specification which is hereunto annexed; and that the said Petitioner hath deposited with the Honorable the Treasurer of the said Colony of New South Wales the sum of Twenty Pounds sterling, for defraying the expense of granting these Letters of Administration, as required by the Act of Council, sixteenth Victoria, number twenty-four; and hath humbly prayed that I would be pleased to grant Letters of Registration, whereby the exclusive enjoyment and advantage of the said invention or improvement might be secured to him for a period of fourteen years: And I, being willing to give encouragement to all inventions and improvements in the arts or manufactures which may be for the public good, and having received a report favourable to the prayer of the said Petition, from competent persons, appointed by me to examine and consider the matters stated therein, and to report thereon for my information, am pleased, with the advice of the Executive Council, and in exercise of the power and authority given to me by the said Act of Council, to grant, and do by these Letters of Registration grant unto the said Henry Baldock, his executors and assigns, the exclusive enjoyment and advantage of the said invention or improvement, for and during the term of fourteen years from the date hereof, to have, hold, and exercise unto the said Henry Baldock, his executors, administrators and assigns, the exclusive enjoyment and advantage thereof, for and during and unto the full end and term of fourteen years from the date of these presents next and immediately ensuing, and fully to be complete and ended: Provided always, that if the said Henry Baldock shall not, within three days after the granting of these Letters of Registration, register the same in the proper office in the Supreme Court, at Sydney, in the said Colony of New South Wales, then these Letters of Registration, and all advantages whatsoever hereby granted, shall cease and become void.

In witness whereof, I have hereunto set my sign manual, and have caused the present Letters of Registration to be sealed with the seal of the said Colony of New South Wales, at Government House, Sydney, in New South Wales, this 20th day of January, in the year of our Lord one thousand eight hundred and seventy-six.

(L.S.)

HERCULES ROBINSON.

Process for the preserving and treating of Meat, &c.

SPECIFICATION.

THE invention consists in treating meat, hides, fish, flesh of animals and birds, butter, lard, tallow, fat, and any other animal matter whatever, in order to the preservation for food, or for any other purpose, and generally for the prevention or arresting of putrefaction, fermentation, or decay in such animal matter, by applying boric or boracic acid dissolved in water, the effect of such application being that such animal matter as aforesaid is preserved, and putrefaction, fermentation, or decay prevented or arrested.

What is claimed and desired to be secured as this invention, is the exclusive use of boric or boracic acid, or any other borate or matter of which boron or oxide of boron forms a part, for any of the purposes herein set forth.

HENRY BALDOCK.

This is the specification referred to in the annexed Letters of Registration granted to Henry Baldock, this twentieth day of January, A.D. 1876.

HERCULES ROBINSON.

REPORT.

SIR,

Sydney, 26 August, 1875.

In the matter of the application of Messrs. Henry Baldock and Frederic King, for Letters of Registration for a "Process for the preserving and treating of Meat and all animal substances or matter," which has been referred to us, we have examined the specification accompanying the same, and have now the honor to report that we see no objection to the issue of Letters of Registration, as prayed for.

We have, &c.,

J. SMITH.

CHAS. WATT.

THE PRINCIPAL UNDER SECRETARY.



A.D. 1876, 3rd February. No. 505.

IMPROVEMENTS IN DREDGING-BOATS, &c.

LETTERS OF REGISTRATION to Ernest Bazin for improvements in Dredging-boats or Apparatus for rapidly and economically extracting the mud, ooze, and sand from the river, &c.

[Registered on the 4th day of February, 1876, in pursuance of the Act 16 Vic. No. 24.]

BY HIS EXCELLENCY SIR HERCULES GEORGE ROBERT ROBINSON, Knight Grand Cross of the Most Distinguished Order of Saint Michael and Saint George, Governor and Commander-in-Chief of the Colony of New South Wales and its Dependencies, and Vice-Admiral of the same.

TO ALL TO WHOM THESE PRESENTS SHALL COME, greeting :

WHEREAS ERNEST BAZIN, of the City of Paris, in the Republic of France, civil engineer, and Chevalier of the Legion of Honor, hath by his Petition humbly represented to me that he is the author or designer of a certain invention or improvement in manufactures, that is to say, of an invention for improvements in dredging-boats, or apparatus for rapidly and economically extracting the mud, ooze, and sand from the river or even at great depths at distances from the shore or in the midst of the sea from foulered vessels or ships which are to be recovered, whether for dredging or cleansing ponds, canals, watercourses, or for the maintenance of straits, ports, harbours, or havens, or for the extraction of auriferous or metallic sand and so on in fixing tubular piles of bridges, or in other hydraulic or excavating operations, which said invention is more particularly described in the specification and sheet of drawings which are hereunto annexed; and that he, the said Petitioner, hath deposited with the Honorable the Treasurer of the said Colony of New South Wales the sum of Twenty pounds sterling, for defraying the expense of granting these Letters of Registration, as required by the Act of Council, sixteenth Victoria, number twenty-four; and hath humbly prayed that I would be pleased to grant Letters of Registration, whereby the exclusive enjoyment and advantage of the said invention or improvement might be secured to him for a period of fourteen years: And I, being willing to give encouragement to all inventions and improvements in the arts or manufactures which may be for the public good, and having received a report favourable to the prayer of the said Petition, from competent persons appointed by me to examine and consider the matters stated therein, and to report thereon for my information, am pleased, with the advice of the Executive Council, and in exercise of the power and authority given to me by the said Act of Council, to grant, and do by these Letters of Registration grant unto the said Ernest Bazin, his executors, administrators, and assigns, the exclusive enjoyment and advantage of the said invention or improvement, for and during the term of fourteen years from the date hereof; to have, hold, and exercise unto the said Ernest Bazin, his executors, administrators, and assigns, the exclusive enjoyment and advantage thereof, for and during and unto the full end and term of fourteen years from the date of these presents next and immediately ensuing, and fully to be complete and ended: Provided always, that if the said Ernest Bazin shall not, within three days after the granting of these Letters of Registration, register the same in the proper office in the Supreme Court at Sydney, in the said Colony of New South Wales, then these Letters of Registration, and all advantage whatsoever hereby granted, shall cease and become void.

In witness whereof, I have hereunto set my sign manual, and have caused the present Letters of Registration to be sealed with the seal of the said Colony of New South Wales, at Government House, Sydney, in New South Wales, this third day of February, in the year of our Lord one thousand eight hundred and seventy-six.

(L.S.)

HERCULES ROBINSON.

Improvements in Dredging-boats, &c.

SPECIFICATION of ERNEST BAZIN, of the City of Paris, in the Republic of France, civil engineer and Chevalier of the Legion of Honor, of an invention for "Improvements in dredging-boats or apparatus for rapidly and economically extracting the mud, ooze, and sand from the river or even at great depths from the shore or in the midst of the sea from foundered vessels or ships which are to be recovered, whether for dredging or cleansing ponds, canals, watercourses, or for the maintenance of straits, ports, harbours, or havens, or for the extraction of auriferous or metallic sand and so on, in fixing tubular piles of bridges, or in other hydraulic or excavating operations.

NOW KNOW YE, that I, the said ERNEST BAZIN, do hereby declare the nature of the said invention, and in what manner the same is to be performed, to be particularly described and ascertained in and by the following statement or specification and drawings thereof (that is to say) :—

THE object of this invention is the "Improvements in dredging-boats or apparatus for rapidly and economically extracting the mud, ooze, and sand from the river or even at great depths at distances from the shore or in the midst of the sea from foundered vessels or ships which are to be recovered, whether for dredging or cleansing ponds, canals, watercourses, or for the maintenance of straits, ports, harbours, or havens, or for the extraction of auriferous or metallic sand and so on, in fixing tubular piles of bridges, or in other hydraulic or excavating operations.

This I effect by establishing at the bottom of the hold of a floating body or dredging-boat, a water entry, thus creating an hydraulic pressure or a natural force, the result of the difference of level between the floating line and the water entry, and providing that water entry with a tube long enough to reach the bottom of the sea or other water; when an admitting tap is opened, the water enters the vessel charged with sand, mud, or slime, as the case may be, a current being established in the interior of the tube by the head of water. The rapidity of ascension of the current will be regulated by the height and diameter of the tubes as well as by the differences of the levels of the water line of the vessel and that of the orifice of entrance of the liquid into the interior of the vessel. This is a unique form admitting naturally and gratuitously of dredging and raising the mud, ooze, and sand from any depth and depositing it in the bottom of the boat, when it is discharged to any convenient place by aid of rotary pumps or other efficient means or engines which receive the mud and sand directly from the water entries, and possessing on account of being placed below the floating line the advantage of the action resulting from the hydraulic pressure.

Having now explained the nature of my invention, I will proceed to describe it more fully by aid of the accompanying drawings.

Fig. 1 and 2 represent a dredging vessel fitted for and destined to remove mud and sand and gravel.

Fig. 1 is a longitudinal view, and fig. 2 a plan showing the arrangement and position of the various organs or parts contributing to the dredging.

Fig. 3, 4, 5, 6, 7 show the various forms and shapes of the pipes forming the nozzle or commencement of aspirating tube.

On each side of the vessel and below the water level or line I pierce the wall or hull of the vessel with two holes which constitute my water entries. In these holes the tubes *aaaa* pass and are solidly fixed to the boat and in the hold are connected with the rotary pump *pppp* and outside are firmly united to the frame *bb*.

In certain cases I cause the tubes *aaaa* to penetrate the boat by making them traverse a stuffing box which gives them the facility of turning on themselves a little.

A lifting machine, crane, or otherwise arranged on the deck, supports the tubes *aaaa* and facilitates their displacement.

The tubes *aaaa* are connected parallelly at their other ends to the suction tubes.

A desaggregator D sometimes works at the forepart of the vessel and may be lifted or lowered from a lifting machine, crane, arranged on the deck or otherwise.

The rotary pumps *pppp* which are in direct communication with the tubes *aaaa* are established in the hold of the vessel, but they may be fixed at the same level outside the boat or against a pile or wall or other support.

In this case it is unnecessary to pierce the hull, for in uniting them directly with the conduits *aaaa* a benefit is also gained by the hydraulic charge or pressure as in the first case, the pumps only have to convey away the matter conducted to the pipes *aaaa* by the natural effect of the hydraulic charge existing on the water entries; the tubes *hhhh* empty the mud and ooze either in boats or barges or on the banks of the river; in a word, in any suitable direction by lengthening the tubes.

If the discharge is made in barges, they are provided with valves easily worked by windlasses placed on the deck and which allow the barges to be rapidly emptied.

The rotary lift and force pumps *pppp* or other system are actuated by the propelling machine as shown in the drawings or by a separate motor disposed in the same manner to cause them to work together or separately by isolating the one from the other by the valves *kkkk*.

I have mentioned that these pumps are lift and force pumps as by reason of their connections with the tubes *aaaa*. I can in certain cases assist the delivery of these conduits by a suction which in no manner interferes with the ascensional action of the tubes *hhhh*.

For any stuff to be dredged, I reserve to myself the right of employing special organs; whether those designed fig. 3, 4, 5, 6, 7, or others that practice may suggest. As will be seen in fig. 3, 4, 5, 6, 7, I provide every sucker with longitudinal apertures, the object of which is, by allowing the pure water to be sucked even when the openings of tubes *aaaa* are obstructed to prevent these tubes *aaaa* being choked at their entry by the stuff, the result either of the consistency of the fluid or of the imbedding of the tube in the sand.

By the examples of these suction tubes I wish to show as much as possible the practical means which produce good results, but I reserve to myself the right of employing them separately or in combination in any desirable manner.

Having

Improvements in Dredging-boats, &c.

Having now described the nature of my said invention and in what manner the same is to be performed, I declare that I claim:—

Firstly.—The improvements in boats and apparatus as and for the purposes set forth, and substantially as shown in the drawings.

Secondly.—The application of the hydraulic pressure or head of water to dredging or to the raising of stuff or materials lying at the bottom of the water by means of one or several tubes of which the inferior extremity is in contact with the bottom, and the top end is connected with centrifugal or other pumps placed beneath the surface of the water and which expulse as a force pump the substances brought to them by the rapid ascending current produced by this head of water.

Thirdly.—The employment at the ends of tubes either a flexible pipe or nozzles (according to the case), having openings, slots, or apertures, the form of which may be variable and by which the clean water may be sucked into the pipes so as to prevent obstruction as described.

Fourthly.—The employment of a desaggregator kind of cylinder provided with teeth, actuated with a rotary motion, and proceeding the suction tubes, thus preparing the ground by desaggregating the soil so as to render more easy the absorption or suction of the rubbish or stuff as set forth.

Paris, this seventeenth day of September, one thousand eight hundred and seventy-five.

ERNEST BAZIN.

Witnesses—

EUGENE PENIZ, of 40, Bd. Haunmaun, Paris.
J. A. BERLY, 9, Rolf Road, Peckham Rye, Surrey.

This is the specification referred to in the annexed Letters of Registration granted to Ernest Bazin, this third day of February, 1876.

HERCULES ROBINSON.

REPORT.

SIR,

Having, in attention to your letter of the 11th instant, examined the plans and specification accompanying the application of Mr. E. Bazin for Letters of Registration of his "Invention for improvements in dredging-boats or apparatus and economically extracting mud, &c.," we have the honor to state that we see no objection to the prayer of the Petition being complied with.

Sydney, 14 January, 1876.

We have, &c.,

E. O. MORIARTY,
FRANCIS HIXSON.

THE PRINCIPAL UNDER SECRETARY.

[Drawings—one sheet.]

No. 506.

[Assignment of No. 386. See page 127 of Return of 9 July, 1875.]

No. 507.

[Agreement for sale of share in No. 432. See page 85 of Return of 28 May, 1877.]

No. 508.

[Assignment of No. 446. See page 117 of Return of 28 May, 1877.]

No. 509.

[Assignment of No. 463. See page 23 of Return of 27 March, 1878.]

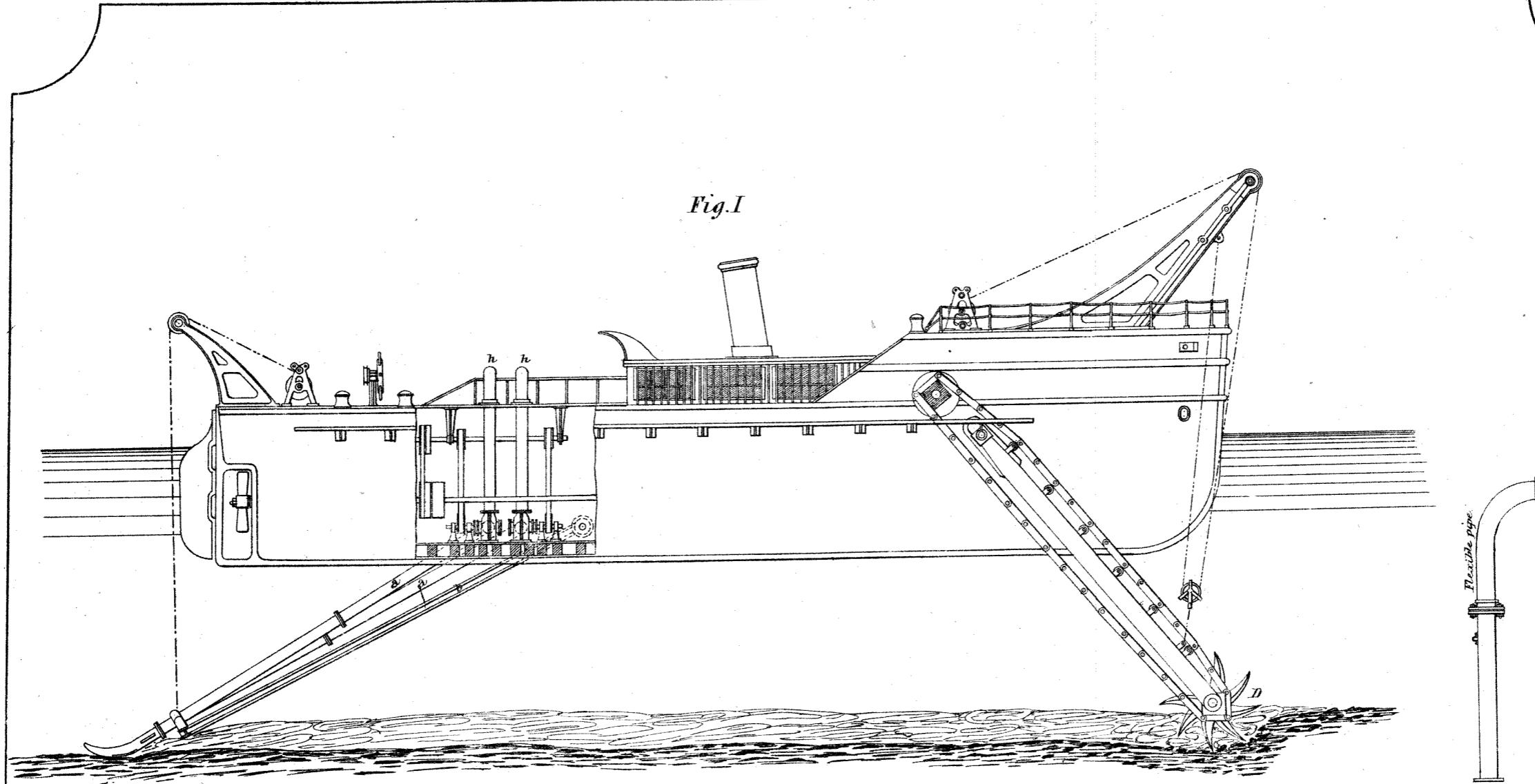


Fig. 1

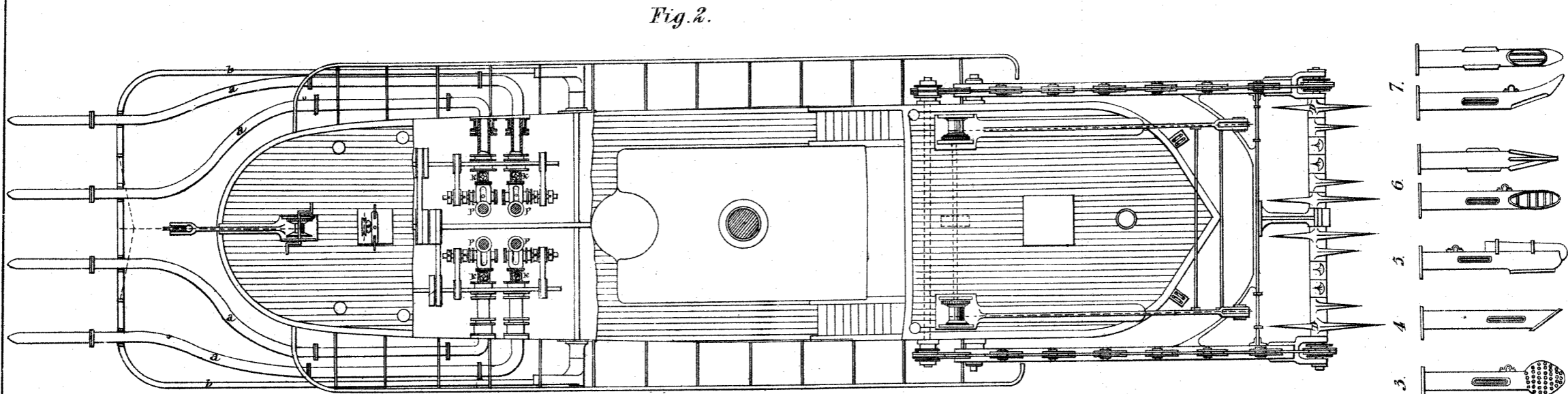
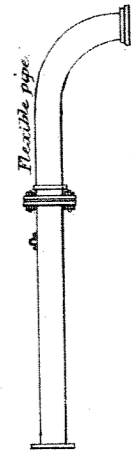


Fig. 2.

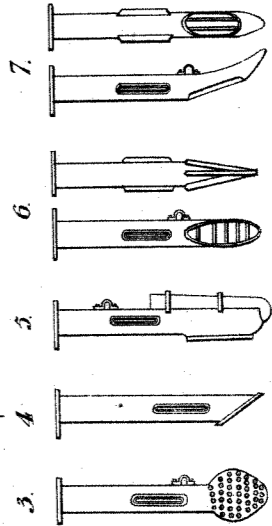


Fig. 3.

Ernest Bazin.

This is the Sheet of Drawings referred to in the annexed Letters of Registration granted to Ernest Bazin this third day of February 1876.

Hercules Robinson.

Witnesses

Eugene Penzlin
 40. B. Haussmann.
 J.A. Berly
 9 Rolf Road Peckham Rye
 (Surrey)

C. G.

(Sig. 225)

[27]



A.D. 1876, 7th March. No. 510.

IMPROVEMENTS IN LOCOMOTIVE ENGINES, &c.

LETTERS OF REGISTRATION to Henry Handyside, for Improvements in Locomotive Engines, and in Apparatus for accomplishing the safe ascent and descent of steep inclines, and for facilitating the passage of sharp curves.

[Registered on the 9th day of March, 1876, in pursuance of the Act 16 Vic. No. 24.]

BY HIS EXCELLENCY SIR HERCULES GEORGE ROBERT ROBINSON, Knight Grand Cross of the Most Distinguished Order of Saint Michael and Saint George, Governor and Commander-in-Chief of the Colony of New South Wales and its Dependencies, and Vice-Admiral of the same.

TO ALL TO WHOM THESE PRESENTS SHALL COME, greeting :

WHEREAS HENRY HANDYSIDE, of Saint John's Wood, in the County of Middlesex, England, engineer, hath by his Petition humbly represented to me that he is the author or designer of a certain invention or improvement in manufactures, that is to say, of an invention for "Improvements in Locomotive Engines and in Apparatus for accomplishing the safe ascent and descent of steep inclines, and for facilitating the passage of sharp curves," which is more particularly described in the specification and sheet of drawings which are hereunto annexed; and that he, the said Petitioner, hath deposited with the Honorable the Treasurer of the said Colony of New South Wales the sum of Twenty Pounds sterling, for defraying the expense of granting these Letters of Registration, as required by the Act of Council, sixteenth Victoria, number twenty-four; and hath humbly prayed that I would be pleased to grant Letters of Registration whereby the exclusive enjoyment and advantage of the said invention or improvement might be secured to him for a period of fourteen years: And I being willing to give encouragement to all inventions and improvements in the arts or manufactures which may be for the public good, and having received a report favourable to the prayer of the said Petition from competent persons appointed by me to examine and consider the matters stated therein and to report thereon for my information, am pleased, with the advice of the Executive Council, and in exercise of the power and authority given to me by the said Act of Council, to grant, and do by these Letters of Registration grant unto the said Henry Handyside, his executors, administrators, and assigns, the exclusive enjoyment and advantage of the said invention or improvement for and during the term of fourteen years from the date hereof; to have, hold, and exercise unto the said Henry Handyside, his executors, administrators, and assigns, the exclusive enjoyment and advantage thereof, for and during and unto the full end and term of fourteen years from the date of these presents next and immediately ensuing, and fully to be complete and ended: Provided always that if the said Henry Handyside shall not, within three days after the granting of these Letters of Registration, register the same in the proper office in the Supreme Court at Sydney, in the said Colony of New South Wales, then these Letters of Registration, and all advantages whatsoever hereby granted, shall cease and become void.

In witness whereof, I have hereunto set my sign manual, and have caused the present Letters of Registration to be sealed with the seal of the said Colony of New South Wales, at Government House, Sydney, in New South Wales, this seventh day of March, in the year of our Lord one thousand eight hundred and seventy-six.

(L.S.)

HERCULES ROBINSON.

Improvements in Locomotive Engines, &c.

SPECIFICATION of HENRY HANDYSIDE, of St. John's Wood, in the County of Middlesex, England, engineer, for "Improvements in Locomotive Engines and in apparatus for the accomplishing the safe ascent and descent of steep inclines and for facilitating the passage of sharp curves."

THIS invention relates to certain peculiar constructions and arrangements of Locomotive Engines and apparatus to be applied thereto and to the carriages or waggons of a train, whereby the safe and easy ascent of trains up steep inclines is accomplished and their passage round sharp curves is facilitated. According to this invention the locomotive engine is coupled to the train or other load to be hauled up an incline by a rope or chain which is wound on a drum mounted in the framing of the engine. The axis of this drum is placed horizontally, and is driven or rotated direct or by gearing from a separate pair of cylinders distinct from the cylinders which propel the engine along. On each side of the engine framing, and on each side of one or more carriages or waggons of the train, there is or are suspended one or more self-acting gripping struts, which when let down on to the rails by the driver or other person in charge of the train will firmly grip the sides of the rails and hold the engine or train or portion of the train stationary on any part of a steep gradient. I prefer to construct these struts each of two iron arms, the upper ends of which are made with one eye for the purpose of suspending them from the most convenient part of the engine or waggon, and the lower ends of the said arms are fitted into or over the side-plates of the shoe and secured thereto by a through bolt; these side plates are also fitted with a number of steel or iron links, the other ends of which are likewise joined together with a steel or iron bolt passing through the whole number of links. On lowering the free end of the strut, which should project downwards at an angle contrary to the direction in which the train is travelling, the jaws of the struts immediately grip the opposite sides of each rail, and effectually prevent any retrograde motion of the engine or carriages when on a steep gradient. On arriving at the foot of a steep incline the engineer will release the hauling drum on the engine and will, without stopping or retarding the engine, run it up the gradient to any desired distance, having previously lowered the arresting struts. On stopping the engine the struts immediately come into action and maintain the engine firmly in its place. The hauling drum is now started (the rope or chain having been paid out as the engine ascended), and the entire train, or any part of the train, is hauled up by the sole power of the cylinders which work the winding-drum. The struts on the train act as before described to prevent any retrograde motion thereof when required, or in case of an accident to the hauling apparatus they also allow the engine to start again without the train and complete the ascent of the incline, the train being then hauled up after it by the winding-drum as hereinbefore described.

And in order that my said invention may be fully understood I shall now proceed more particularly to describe the same, and for that purpose shall refer to the several figures on the annexed sheet of drawings, the same letters of reference indicating corresponding parts in all the figures.

Figure 1 of my drawings represents a side elevation partly in longitudinal section of so much of a locomotive engine as is requisite to illustrate the application of my invention thereto.

Figure 2 is a plan of a portion of the same corresponding to figure 1. Figure 3 is a rear end elevation of the engine, and figure 4 is an enlarged detail of a self-acting gripping strut constructed in accordance with my said invention.

According to my invention I couple the locomotive engine to the train or other load to be hauled up an incline by a rope or chain, A, which is wound on a drum, B, mounted on a framing, CC, of the engine. The axis or shaft, D, of this drum works horizontally in bearings at *aa*, in the main framing, and is driven or rotated direct or by gearing as found most convenient from a separate pair of cylinders, EE, distinct from the usual cylinders which drive the locomotive in ordinary cases. These cylinders, EE, may be secured to any convenient part of the locomotive and transmit a rotary motion to the gear shaft, J, by connecting rods, FF, coupled to cranks, GG, secured to the ends of the gear shaft as clearly shown in figures 1, 2, 3, or coupled to the shaft of the drum direct. The drum or windlass barrel if driven direct is loose upon its shaft and is coupled therewith when required for hauling purposes by means of a sliding clutch provided with projections or teeth by preference inclined or bevilled off at the back, which teeth engage into corresponding holes or recesses in the end of the drum.

Or if driven by the gearing, K, the clutch is made to engage into recesses in the side of the pinion as shown at M.

A clutch lever, N, shown in my drawings, which should be conveniently placed to the hand of the driver, is provided for throwing the hauling drum into or out of action as required.

If the drum is driven direct the circumference of one or both flanges or end plates of the drum should be made to receive a powerful brake strap applied by a lever or screw power. But in the arrangement shown in the drawing, in which the drum is represented as driven by gear wheels, the driver may release or retain the drum by a brake strap on the pinion barrel. The eccentrics and eccentric rods for working the valves of the cylinders, EE, may be mounted on the shaft of the drum or on the gear shaft, J, as required. On each side of the engine framing, and also on each side of one or more of the carriages or waggons of the train, there is or are suspended one or more self-acting gripping struts, L, shown detached in the enlarged detail view. Figure 4, which when let down on to the rails, *g*, by the driver or other person in charge of the train will firmly grip the sides of the rails and hold the engine or train or portion of the train stationary on any part of a steep gradient. I prefer to construct these struts each of two iron arms, *hh*, hinged at their upper ends at *ii*, to the main framing of the engine or waggon, and having their lower ends made to fit into or over the side pieces of the shoe, O, and retained by a through bolt, P, which gives the side pieces a certain amount of play. Into the lower part of each side piece are fitted curved links, *kk*, and these links are hinged to the side pieces, and to each other with through bolts, *mm*, of steel or iron.

To the heel of each side piece is attached one end of a connecting rod, Q, the other end of which is attached to short lever arms, RR, mounted on a through rocking shaft, S; on this rocking shaft there is keyed a longer arm, T, which receives the screw of the upright screw brake shaft, U, the upper end of which is fitted with a special arrangement in the form of a tube, V, which enables the brakeman to hold or release the struts at will. On lowering the free end of the strut, which should project downwards at an angle of rather less than 45°, and in a direction contrary to the direction in which the train is travelling,

Improvements in Locomotive Engines, &c.

travelling, as shown in figure 1, the jaws, *kk*, of the struts immediately grip the opposite sides of each rail, and effectually prevent any retrograde motion of the engine or carriages when on a steep gradient. On arriving at the foot of a steep incline the engineer will release the hauling drum on the engine, and will without stopping the engine run it up the gradient to any desired distance, having previously lowered, by the means of the brake screw shaft, *S*, the arresting struts, *JL*.

On stopping the engine the struts immediately come into action, as shown in figures 1, 3, and 4, and maintain the engine firmly in its place.

The hauling drum, *B*, is now started by throwing the clutch, *M*, into gear therewith (the rope or chain, *A*, having been paid out as the engine ascended), and the entire train is hauled up by the sole power of the cylinders, *EE*, with the winding drum.

The struts on the train similar to those shown at *L* act as before described to prevent any retrograde motion thereof when required, or in case of an accident to the hauling apparatus, they also allow the engine to start again without the train, to take another length of the incline, and so on until the complete ascent of the incline has been effected,—the train being hauled up by the engine by the aid of the winding drum as hereinbefore described.

On descending steep inclines the grip may be used as a brake, and to provide for wear the three bearing surfaces of the grip are fitted with renewable plates made of malleable cast iron, or of any other metal which may be found effective for braking purposes.

On level sections, or on comparatively light gradients, the locomotive acts precisely as an ordinary locomotive engine. It is obvious that this arrangement of hauling drum and separate winding engine carried on the framing of the locomotive will also be found most serviceable in facilitating the hauling of heavy trains by light locomotive engines round sharp curves.

In order to prevent exposure and consequent injury to the tubes and fire-box roof by reason of the displacement of the water level when ascending or descending steep inclines, I provide two steam domes or chambers on the top of the boiler at or near the opposite ends thereof, and I connect these two chambers by what I designate an "equalizing" steam pipe, opening at both ends into the said chambers, but I make no claim separately to the said equalizing steam pipe. The water level should stand sufficiently high in the said chamber to admit of the displacement caused when ascending or descending the steepest gradient without exposing the boiler tubes or roof of the fire-box. The steam, as fast as it is generated, enters either or both these chambers, and its pressure in both is equalized by the before-mentioned equalizing pipe, or a large-sized steam dome, *W*. Figure 1, placed on the centre of the boiler, may be employed in lieu of the two steam domes before-mentioned, as it has the advantage of being a simpler arrangement than the latter.

The steam-pipes for supplying the cylinders of the locomotive engine and of the winding engine may be connected with either or both the said chambers, as found most convenient, in practice or from the centre dome, *W*, as in the arrangement shown in the drawing.

CLAIMS.

- 1st. The combination with any ordinary locomotive engine of a separate and distinct cylinder or pair of cylinders for driving either direct or through the intervention of gearing a winding drum mounted in the framing of a locomotive engine, in conjunction with self-acting gripping struts, the whole being arranged and caused to operate together substantially in the manner and for the purpose hereinbefore described, and illustrated by the drawings annexed.
- 2nd. The construction and use of self-acting gripping struts made with hinged jaws which grip the top and two sides of a rail substantially in the manner and for the purpose hereinbefore described, and illustrated by figure 4 of the drawings annexed.

In witness whereof, I, the said Henry Handyside, have to this my specification set my hand and seal this twelfth day of October, one thousand eight hundred and seventy-five.

HENRY HANDYSIDE.

Signed and sealed in the presence of HENRY L. JONES, Kensington Villa, Stapleton Road, Bristol.

This is the specification referred to in the annexed Letters of Registration granted to Henry Handyside this seventh day of March, 1876.

HERCULES ROBINSON.

REPORT.

SIR,

Sydney, 8 February, 1876.

The application of Mr. Henry Handyside for Letters of Registration for his invention for "Improvements in Locomotive Engines and in apparatus for the accomplishing the safe ascent and descent of steep inclines and for facilitating the passage of sharp curves," having been referred to us, we have examined the specification and drawings accompanying the same, and have now the honor to report that we see no objection to Letters of Registration being granted as desired.

We have, &c.,

JOHN WHITTON.
GOTHER K. MANN.

THE PRINCIPAL UNDER SECRETARY.

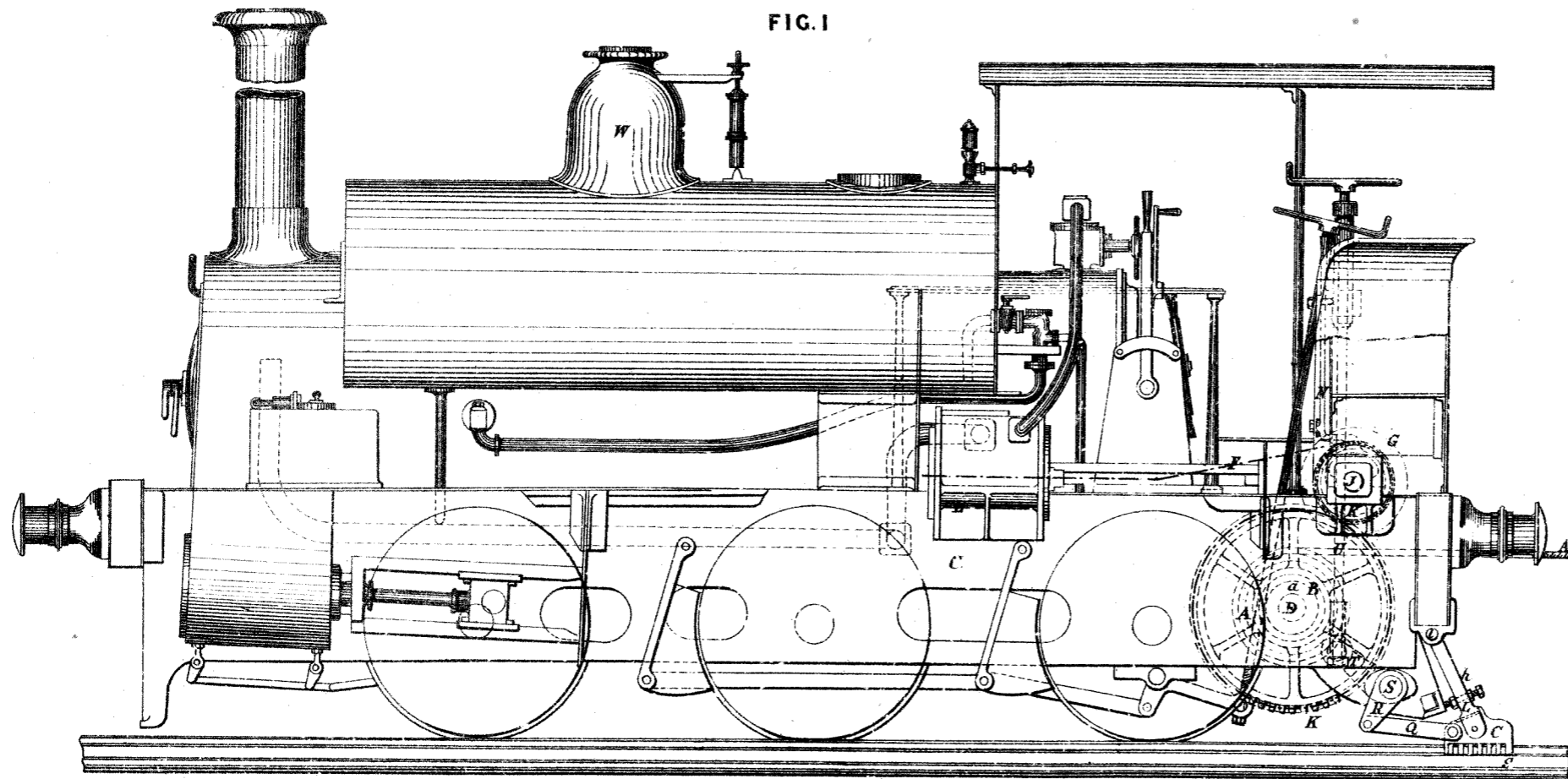


FIG. 1

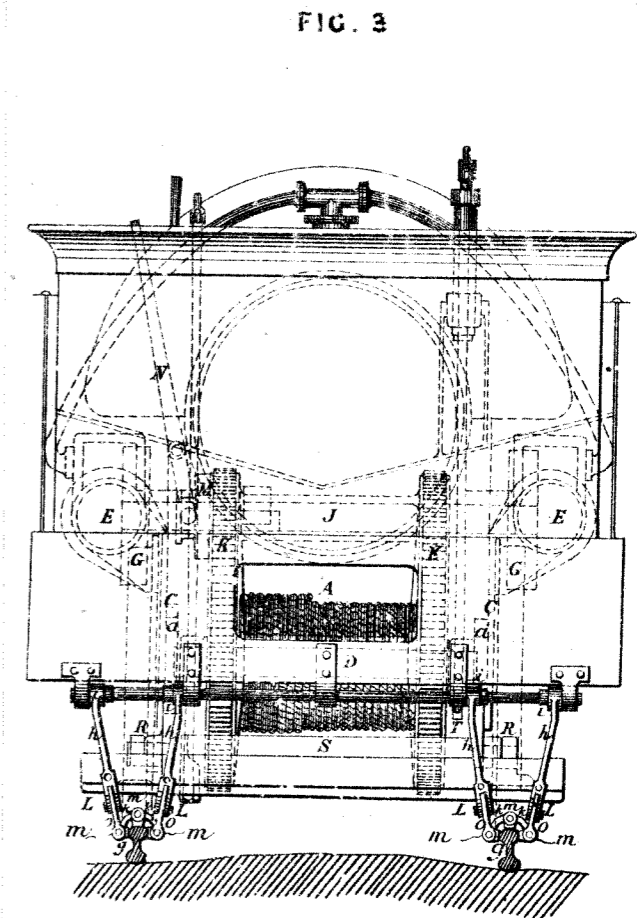


FIG. 3

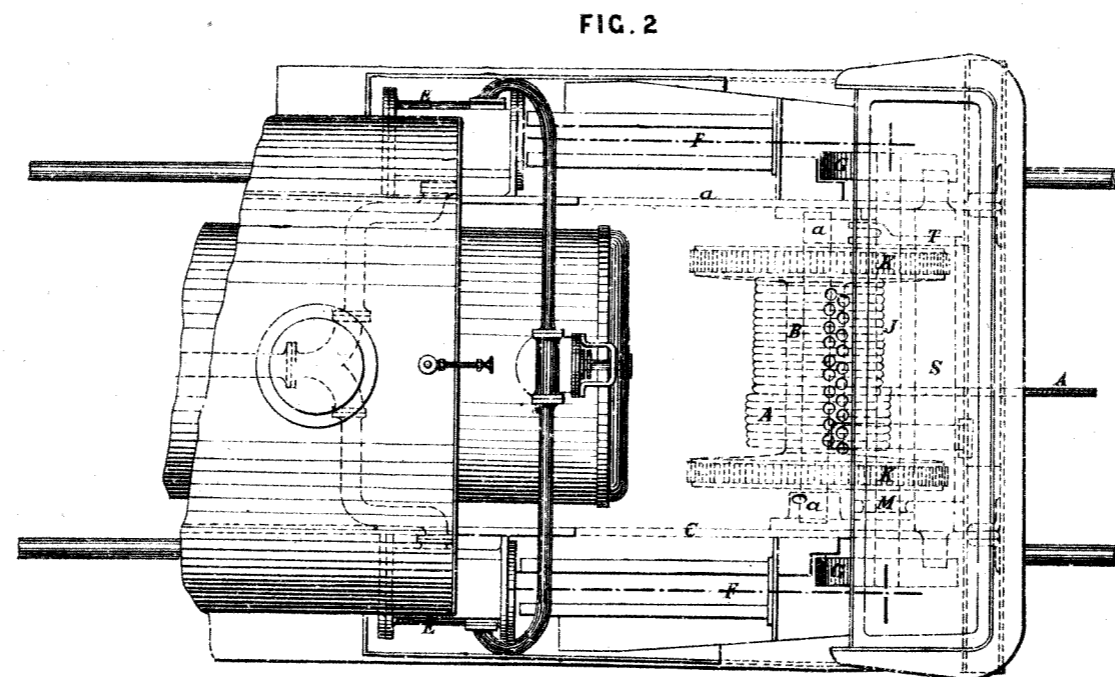


FIG. 2

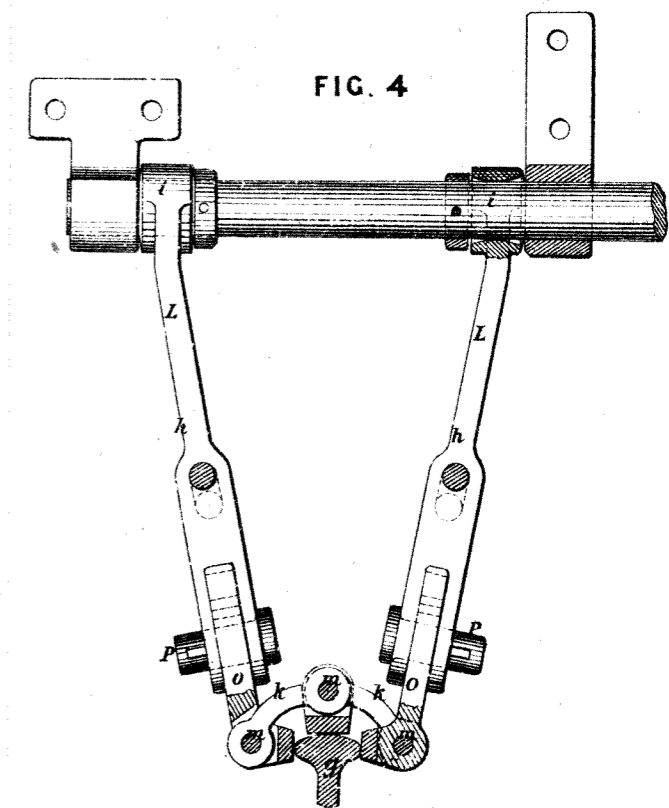


FIG. 4

This is the Sheet of Drawings referred to in the annexed Letters of Registration granted to Henry Handyside this seventh day of March 1876

Hercules Robinson.

[31]



A.D. 1876, 7th March. No. 511.

IMPROVEMENTS IN MACHINERY FOR WORKING AND LOADING COAL, &c.

LETTERS OF REGISTRATION to William Firth for Improvements in Machinery for working and loading Coal, and for sinking shafts or pits, and for driving or cutting tunnels.

[Registered on the 9th day of March, 1876, in pursuance of the Act 16 Vic. No. 24.]

BY HIS EXCELLENCY SIR HERCULES GEORGE ROBERT ROBINSON, Knight Grand Cross of the Most Distinguished Order of Saint Michael and Saint George, Governor and Commander-in-Chief of the Colony of New South Wales and its Dependencies, and Vice-Admiral of the same.

TO ALL TO WHOM THESE PRESENTS SHALL COME, greeting :

WHEREAS WILLIAM FIRTH, of Burley Wood, near Leeds, in the county of York, England, Esquire, hath by his humble Petition represented to me that he is the author or designer of a certain invention or improvement in manufactures, that is to say, of an invention for "Improvements in Machinery for working and loading Coal, and for sinking shafts or pits, and for driving or cutting tunnels," which is more particularly described in the specification marked A, and the seven sheets of drawings marked B, C, D, E, F, G, and H, respectively, which are hereunto annexed; and that he, the said Petitioner, hath deposited with the Honorable the Treasurer of the said Colony of New South Wales the sum of Twenty-Pounds sterling, for defraying the expense of granting these Letters of Registration, as required by the Act of Council, sixteenth Victoria, number twenty-four; and hath humbly prayed that I would be pleased to grant Letters of Registration, whereby the exclusive enjoyment and advantage of the said invention or improvement might be secured to him for a period of fourteen years: And I, being willing to give encouragement to all inventions and improvements in the arts or manufactures which may be for the public good, and having received a report favourable to the prayer of the said Petition from competent persons appointed by me to examine and consider the matters stated therein and to report thereon for my information, am pleased, with the advice of the Executive Council, and in exercise of the power and authority given to me by the said Act of Council, to grant, and do by these Letters of Registration grant unto the said William Firth, his executors, administrators, and assigns, the exclusive enjoyment and advantage of the said invention or improvement, for and during the term of fourteen years from the date hereof: to have, hold, and exercise unto the said William Firth, his executors, administrators, and assigns, the exclusive enjoyment and advantage thereof, for and during and unto the full end and term of fourteen years from the date of these presents next and immediately ensuing, and fully to be complete and ended: Provided always, that if the said William Firth shall not, within three days after the granting of these Letters of Registration, register the same in the proper office in the Supreme Court of the said Colony of New South Wales, then these Letters of Registration, and all advantages whatsoever hereby granted, shall cease and become void.

In witness whereof, I have hereunto set my sign manual, and have caused the present Letters of Registration to be sealed with the seal of the said Colony of New South Wales, at Government House, Sydney, in New South Wales, this seventh day of March, in the year of our Lord one thousand eight hundred and seventy-six.

(L.S.)

HERCULES ROBINSON.

Improvements in Machinery for working and loading Coal, &c.

A.

SPECIFICATION.

TO ALL TO WHOM IT MAY CONCERN: BE it known that I, WILLIAM FIRTH, of Burley Wood, near Leeds, in the County of York, England, Esquire, am in possession of an invention for "Improvements in machinery for working and loading coal, and for sinking shafts or pits, and for driving or cutting tunnels," and I, the said William Firth, do hereby declare the nature of the said invention, and in what manner the same is to be performed, to be particularly described and ascertained in and by the following statement thereof, that is to say:—

THIS invention has for its object improvements in machinery for working and loading coal, and for sinking shafts or pits, and for driving or cutting tunnels.

In order to give a self-acting forward motion to coal cutting machines in which the cutter receives a reciprocating motion from an air-engine, I lay a chain or rope along the line of work and fix it at both ends, I mount chain wheels on the machine to gear with the chain, and these chain wheels are driven by a ratchet wheel on the axis of one of them acting with a pawl which receives a to-and-fro motion.

The forward motion of the machine takes place when the cutter is out of the coal, but only when the cutter at the previous stroke has penetrated to the full depth, as it is during the last portion of the effective stroke that the pawl is drawn back sufficiently to take another tooth of the ratchet.

Figures 1 and 2 show a machine for working coal, arranged according to my invention.

a, a^1, a^2 , are the frame and other parts of the machine; they are mounted upon a pair of axles bb , which have at their ends the eccentrics b^1b^1 , and flanged wheels c are mounted upon the eccentrics; dd are the rails upon which the machine stands. The height of the frame from the rails can be varied by turning the axles b , which for this purpose are provided with arms b^2b^2 , coupled together by connecting rods, ee . On one side of the machine the connecting rods ee carry a trunnion-nut f , and a screw f^1 which works with the nut is held by a bracket a^1 projecting from the side of the cylinder a^2 . The cylinder a^2 is furnished with a piston and piston rod g , to which the crosshead h is fixed. At the fore corners of the frame are mounted the levers ii , by which the motion of the piston rod is communicated to the pick; these levers turn upon fixed axes i^1i^1 , and one only of them is in use at a time. The lever which is in use is connected with the piston rod by a double connecting rod k ; there are two holes in the lever either of which may receive the joint pin according to the angular position in which it is desired that the pick should work. Each lever i has a square boss upon it to receive the pick box or socket l , which is rendered fast upon it by the key l^1 . The pick box may be placed on the square in different positions, and so a further control is obtained over the position of the arc in which the pick works. The pick box may also be put on either way up, and so further control is obtained of the height of the pick. h^1 is a swivelling pin on the cross head h , through it the lever m passes. This lever is fixed on an axis m^1 which has an arm m^2 . The connecting rod n is jointed to the arm m^2 , and this at its further end is jointed to links o^1o^2 . The link o^1 is connected with the arm p , which is on the axis of a semirotary valve which controls the admission and exhaust of compressed air to and from the cylinder a^2 . The link o^2 is connected with the arm q^1 on the hand lever q , so that by shifting the hand lever the rod n and link o^1 can be thrown into a more or less inclined position, thereby altering the position of the valve in relation to the piston so as to obtain an earlier or later exhaust as may be required. The axis m^1 is provided with another arm m^3 which through the rod r actuates the lever s carrying the pawl s^1 . This pawl works with the ratchet wheel t , taking a fresh tooth each time that the piston reaches the outer end of its stroke and the pick strikes home.

On the axis of the ratchet wheel t is a bevelled wheel t^1 , gearing with a pinion u . The pinion u has on its axis a hand wheel u^1 , and also a worm u^2 . The worm drives a worm wheel v , and gives motion to a chain wheel v^1 on the same axis. This wheel is cupped on the periphery to receive the links of a chain the ends of which are securely fixed before and behind the machine. ww are guide pulleys for the chain; they keep it in contact with the wheel v^1 around the greater part of its circumference. x is the hand lever which actuates the starting valve.

Sometimes I find it necessary after the pick has penetrated to the full depth into the coal to allow the machine to travel a short distance backwards, so that the pick may the more easily release itself from the bed of the coal.

I construct the pick with movable cutters having stems entering into sockets, and there secured by binding screws which are inserted in such a direction as to lie in the cut or groove.

This method of securing the tools allows of the groove in the coal being cut narrower than heretofore, and no wider than is requisite to admit the stem of the tool and a socket of adequate strength. I sometimes make the cutting tools with points of a V form.

Figure 2^a is a side elevation, and figure 2^b is a front elevation, showing the pick and cutting tools which I employ—other detail views are also shown; a is the pick box, b the pick arm, b^1b^1 the tool sockets, and c the cutting tools. dd are the binding screws.

To work coal by drilling, and afterwards pressing or forcing it down, I employ an air engine mounted on a carriage running on rails parallel to the working face. On the carriage is a standard constructed in the manner of a screw-jack. When the machine is in operation this standard is jammed against the roof of the working. In the head of the standard, as close to the roof as is convenient, are bearings in which a ratchet brace is mounted. In the socket of the brace a drill cutter is placed; it is turned and fed forward into the coal by levers connected with the cross head of the piston rod. The levers thus receive a pendulous motion, and they carry pawls working with the ratchet pinions of the brace. The two ratchet pinions are rotated at a somewhat different speed, and as the one gives motion to a nut and the other to a screw, the forward feed motion is obtained.

Drills of different lengths are employed to complete the whole to its full depth.

Figure 3 is a side elevation, figure 4 is an end elevation, and figure 5 is a plan of a machine constructed according to my invention for drilling coal.

a is a frame of the carriage mounted on four wheels b running on rails c . d is a standard in construction like a screw-jack so that its head can be jammed fast against the head of the working. The head

Improvements in Machinery for working and loading Coal, &c.

head carries a screw *e* with a socket at the end to receive the drill *f*. The screw with the drill can be rotated and advanced after the fashion of a ratchet drill. The screw passes through the sleeve *g*, which is rotated by a ratchet pinion and a pawl and lever *h*.

There is a longitudinal groove in the screw and a feather within the sleeve, so that the screw is compelled to rotate.

The screw also passes through the nut *i*, which is similarly rotated by a ratchet wheel, pawl, and lever *k*, but at a slightly different speed from the screw, so that the drill receives a slow forward motion. The levers *h* and *k* take their movement from an air engine *l* upon the carriage. *l'* is the fly wheel and eccentric shaft of the air engine.

To press down the coal I employ an hydraulic apparatus consisting of a tube made in two lengths screwed together, and of a size to enter the hole produced by the drilling machine. The portion of the tube which penetrates to the bottom of the hole contains water, and receives a plunger which enters through cupped leathers, and can be forced forward by a screw acting with a nut formed within the outer end of the plunger which is hollow and receives the screw within it. The outer length of the tube which forms a guide for the plunger (in which it can slide, but is prevented from turning) carries the bearing and abutment for the screw. The stem of the screw receives on its outer end a ratchet pinion and a hand lever and pawl by which it can be rotated, and so the plunger is forced forward and pressure is applied to the water contained in the inner end of the tube. This portion of the tube terminates in a chamber in the side of which are three holes in which three small rams working through cupped leathers are fitted. These are forced outwards as the plunger enters and by the pressure which they apply to the side of the hole the coal is forced down. The rams receive cap pieces to distribute their pressure over a sufficient area of the coal, and these cap pieces can be readily changed to adapt the machine to work in holes of varying sizes.

Figure 6 is a longitudinal section, quarter size, of hydraulic pressing down apparatus constructed according to my invention. The barrel of the apparatus is made in two lengths screwed together at *a*, and cupped leathers *b* are inserted in the joint. The ram *c* works through the cupped leathers *b*. *d* is a chamber formed at the end of the portion of the barrel which penetrates to the bottom of the hole. Into the side of the chamber *d* the small rams *ee* are inserted, they work through cupped leathers. The chamber *d*, and the portion of the barrel on which it is formed, are filled with water or other liquid so that when the ram *c* is forced forward the pressure is conveyed by the liquid to the portion of the side of the hole against which the caps on the plungers *e* abut.

The ram *c* receives within it the screw *f*, which although free to rotate is securely held in the outer end of the barrel of the apparatus, the screw having upon it a collar which is confined by a screw cap *h*, as the drawing shows. On the outer end of the stem of the screw a ratchet pinion is fixed, and motion is given to it by a hand lever *i*, free to turn on the screw stem and carrying a pawl which engages with the teeth of the ratchet wheel.

For sinking shafts or pits, and for driving or cutting tunnels, I employ a mining machine. This machine consists of a carriage on which is mounted a compressed air-engine giving motion about an axis to a pick so as to cause it to strike upon the working face of the rock. In applying such a machine for sinking shafts or pits I mount it upon a circular table with guide rails upon it. The machine is able to travel around the table, and as it travels it cuts a circular ditch or groove. In order that it may do this the machine is so made that the pick arm works in a vertical plane on the outer side of the machine.

The table is suspended by tackle by which it, with the machine upon it, can be lifted and lowered at pleasure. Before setting the machine to work the table is lowered to the bottom of the pit or shaft, brought to a level bearing and wedged or otherwise secured so that it cannot shift. The circular ditch or groove is then cut by the machine as already described, isolating a central block of rock. The table with the machine upon it is then lifted, and the central block is blasted from a central hole, or from several holes if necessary. In this operation there is no risk of shattering the rock forming the wall of the pit, as must occur more or less where blasting is carried on without first isolating the mass to be blasted.

When the debris has been cleared away the table is again lowered and secured and the machine set in operation, so the work goes on.

A tunnel of circular section may be produced in a similar manner, the table being then set upright and being furnished with appliances to hold the machine upon the guide rails in the altered position. Where, as will generally be the case, the form which it is desired to give to the tunnel is not circular, I make the upright table or shield to the form required, and to be able to work into the angles I arrange the machine so that it can work either right or left handed, or separate machines may be employed. The floor of the tunnel may be cut by machines similar to my mining machine hereinbefore referred to.

In some cases to produce circular tunnels, pits, or shafts, I employ a machine which can turn around a central pivot, and which acts with a pick producing a ditch or groove, isolating as in the former cases a central block, which is then blasted.

I sometimes dispense with the use of the pick and use the direct force of air or other fluids.

Figure 7 is a section of a pit in process of being sunk by machinery arranged and combined according to my invention.

aa are circular rails fixed upon a strong table somewhat smaller in diameter than the pit. The table rests when at work on the bottom of the pit, or on chocks inserted to give a more level bearing.

The mining machine consists of a carriage *b*, mounted on wheels running on the rails *a*, and there are also claws not shown in the drawing which descend beneath and hold the machine down to the rails. *c* is a compressed air engine on the bed of the machine giving motion by means of a connecting rod to a lever on the horizontal shaft *d*, on which is fixed the pick *e*. An elevation of a portion of the construction is shown at figure 8. The valve of the engine is arranged and worked as in the machines which cut horizontally, and the forward motion is obtained by rotating one or more of the carrying wheels by means of a worm and worm wheel. If desired one of the rails and one of the carrying wheels may be cogged on the face.

When the circular ditch has been cut to the required depth the table is lifted by means of the winding apparatus at the surface and the isolated central block is broken up by blasting or otherwise. Only small blasting charges will be required.

Figure

Improvements in Machinery for working and loading Coal, &c.

Figure 9 is a horizontal section, figure 10 is an elevation, and figure 11 is a transverse section of another arrangement, differing from that above described, in that the mining machine works beneath the table which is carried by beams let into the sides of the pit; jam screws pressing against the pit sides are also employed to steady the table, as is seen in figure 11, as beforementioned. A circular tunnel, either horizontal or inclined, may be cut by means of similar mechanism, the table then being set up on edge.

Figure 12 is a side elevation and figure 13 a rear elevation, both partly in section of tunnelling machinery adapted to cut a large tunnel of ordinary form. *a* is the table or shield built of wrought-iron; it is carried upon two pair of wheels *bb* running on rails *cc*, one on either side. The rails are mounted upon girders which are fixed upon the lining of the tunnel, the table or shield is suspended from the wheels *b* in such a manner that it can be raised and lowered at pleasure to give to the mining machines *dd* a command of every portion of the working face.

In addition to the machine or machines *d*, which cut the sides of the tunnel, are other machines *d*¹, traversing on horizontal guides across the shield to groove the face at such intervals as may be considered desirable; the lowest machine of this series cuts the floor of the tunnel. The machines are all supplied by flexible tubes with air under pressure drawn from an air main. Figure 14 is a side elevation. Figure 15 is a plan. Figures 16 and 17 are end elevations of a machine for cutting small tunnels or headings by means of a machine which can be carried around a central pivot. The machine shown is adapted to cut a square heading, but it will be obvious that a machine of similar design, but simpler construction, may be made to cut a circular heading, or a shaft, or pit. *a* is a heavily loaded waggon with the stiff shaft *b* projecting from it in front. Around the shaft *b* the table *c* can be rotated by means of a worm and worm wheel, not shown in the drawings. On the table is a slide *d*, it can be traversed by means of a hand wheel and screw *e*. The slide carries an air engine working a pick *f*, which can be set to work either about the centre *g*, as the drawings show, or about the centre *h*. Thus the pick can be made to operate either to the right or left hand. Each side in turn is worked as far as the pick can get at it without being taken out and reversed, the traverse or feed motion being given by means of the screw *e*, and the change from side to side by rotating the table *c* about the shaft *b*. When each side of the heading has been partly cut the pick is reversed and the cutting is finished, the waggon and machine is then drawn back and the isolated block is wedged down or otherwise removed. For a circular heading or pit a similar rotating motion about the shaft *b* will suffice without the table *c* and slide *d*.

In loading coal into railway waggons from a screen or shoot, in order to obviate or lessen the fall into the waggon, I raise and incline the platform on which stands the waggon into which the coal is being loaded by hydraulic or other mechanism. As the waggon fills it is lowered, and so the fall from the lower end of the screen or shoot into the waggon is obviated or lessened.

Figure 18 is a front elevation and figure 19 is a side elevation of the apparatus I employ. *a* is the lower end of the screen or shoot. *b* is the railway waggon. *c* is the platform on which the waggon stands; it is able to turn about trunnions *c*¹. *d* is an hydraulic cylinder the ram of which sustains the platform on one side.

When the empty waggon is first brought under the shoot it is tipped by admitting water under pressure into the hydraulic cylinder until it assumes about the position indicated by the red lines, and as the waggon fills the water is gradually drawn off from the cylinder until the waggon again stands upright.

Having thus described the nature of my said invention, and the manner of performing the same, I would have it understood that I do not confine myself to the details of the arrangements described, but I claim the construction of coal cutting machinery substantially as described.

I also claim the construction of the pick and cutting tools substantially as described.

I also claim the construction of machinery for drilling and pressing down coal substantially as described.

I also claim the combination of machinery for sinking shafts or pits, consisting of a table with a mining machine arranged to cut a circular ditch whilst traversing around the table substantially as described.

I also claim the combination of machinery for driving or cutting tunnels, consisting of a table or frame with a mining machine arranged to cut a groove whilst traversing around the table or frame substantially as described.

I also claim the combination of machinery for sinking shafts or pits and for driving or cutting tunnels, consisting of a central pivot with a mining machine arranged to turn around the said pivot and to cut a groove around it substantially as described.

I also claim the construction of machinery for avoiding breakage in loading coal into waggons substantially as described.

In witness whereof, I, the said William Firth, have hereunto set my hand and seal this twenty-fifth day of September, in the year of our Lord one thousand eight hundred and seventy-five.

WILLIAM FIRTH. (L.S.)

This is the specification referred to in the annexed Letter of Registration as marked A granted to William Firth, this seventh day of March, 1876.

HERCULES ROBINSON.

REPORT.

SIR,

Sydney, 16 February, 1876.

We do ourselves the honor to return to you the documents transmitted for our report under your B.C. communication of the 8th instant, No. 76/866, which have reference to the Petition of William Firth, praying for a grant of Letters of Registration for his invention for "Improvements in machinery for working and loading coal and for driving or cutting tunnels," and we have to state that we see no objection to the issue of Letters of Registration securing to Mr. Firth his invention in terms of his Petition, specification, and drawings.

We have, &c.,

GOTHER K. MANN.
JAMES BARNET.

THE PRINCIPAL UNDER SECRETARY.

Copy
B

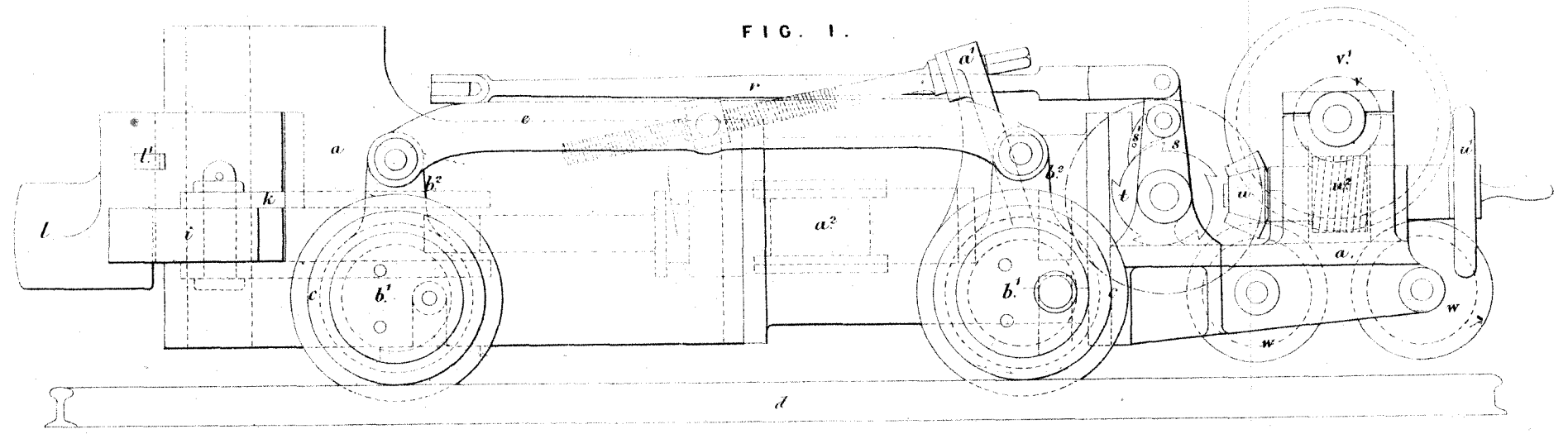
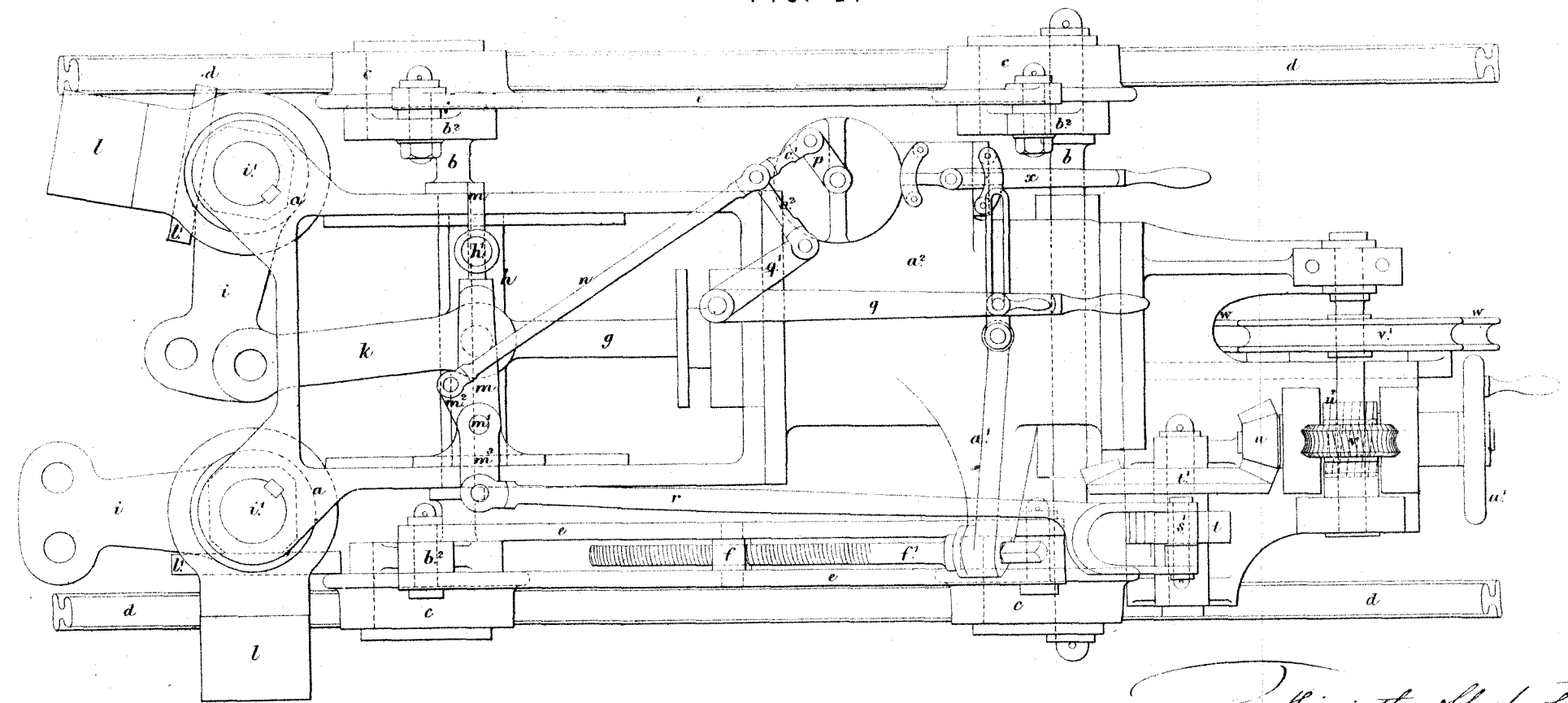


FIG. 2.



This is the Sheet of Drawings marked B,
 referred to in the annexed Letters of Patents
 granted to William Firth this seventh day
 of March 1876
 Hercules Robinson

10044
C

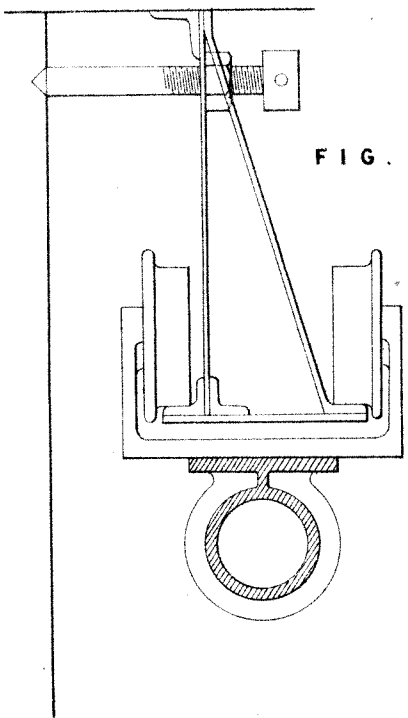


FIG. 11.

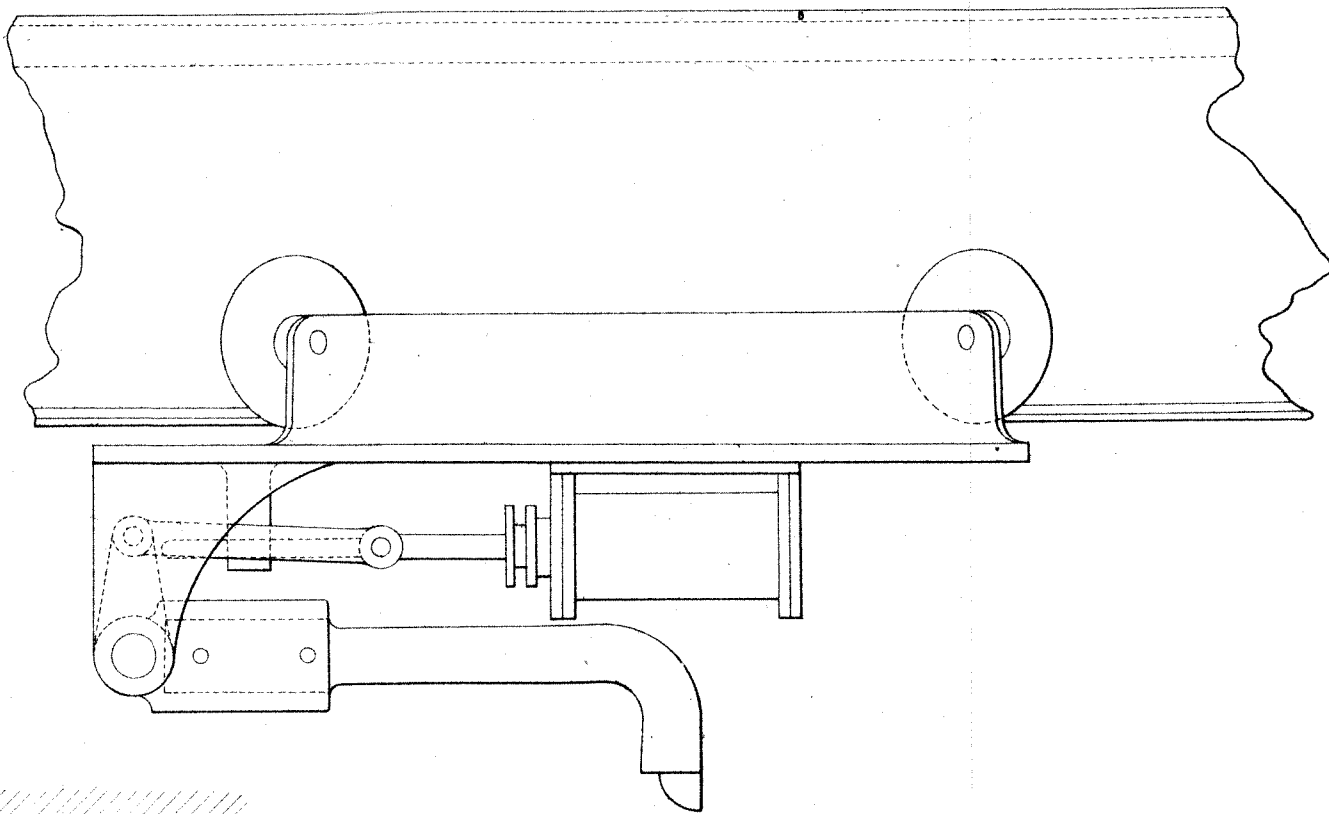


FIG. 10.

FIG. 6.

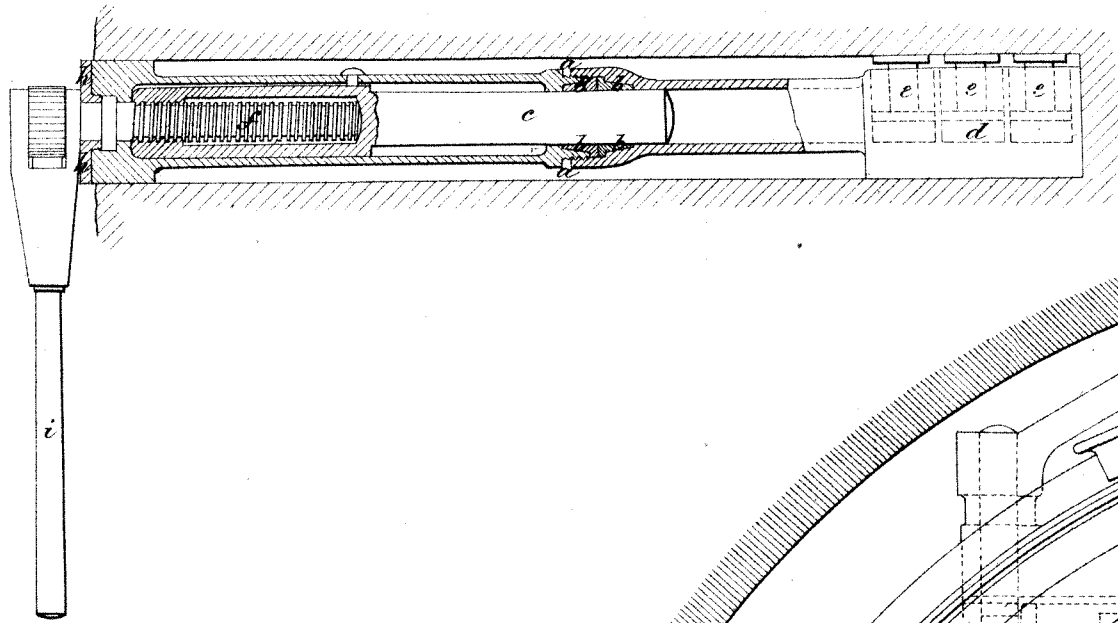
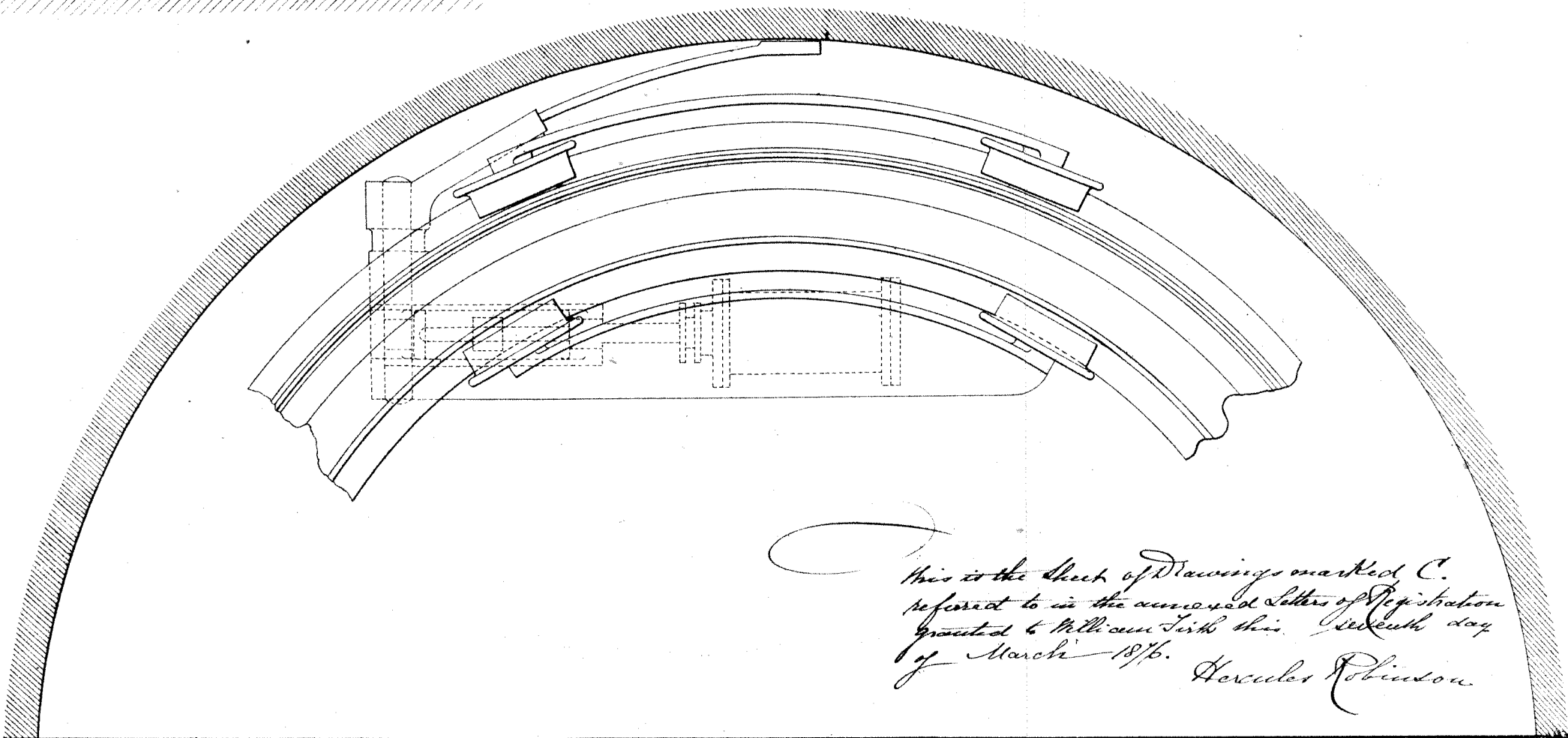


FIG. 9.



*This is the sheet of Drawings marked C.
referred to in the annexed Letters of Appointment
granted to William Smith this 22nd day
of March 1876. Hercules Robinson*

copy
D

FIG. 2^a

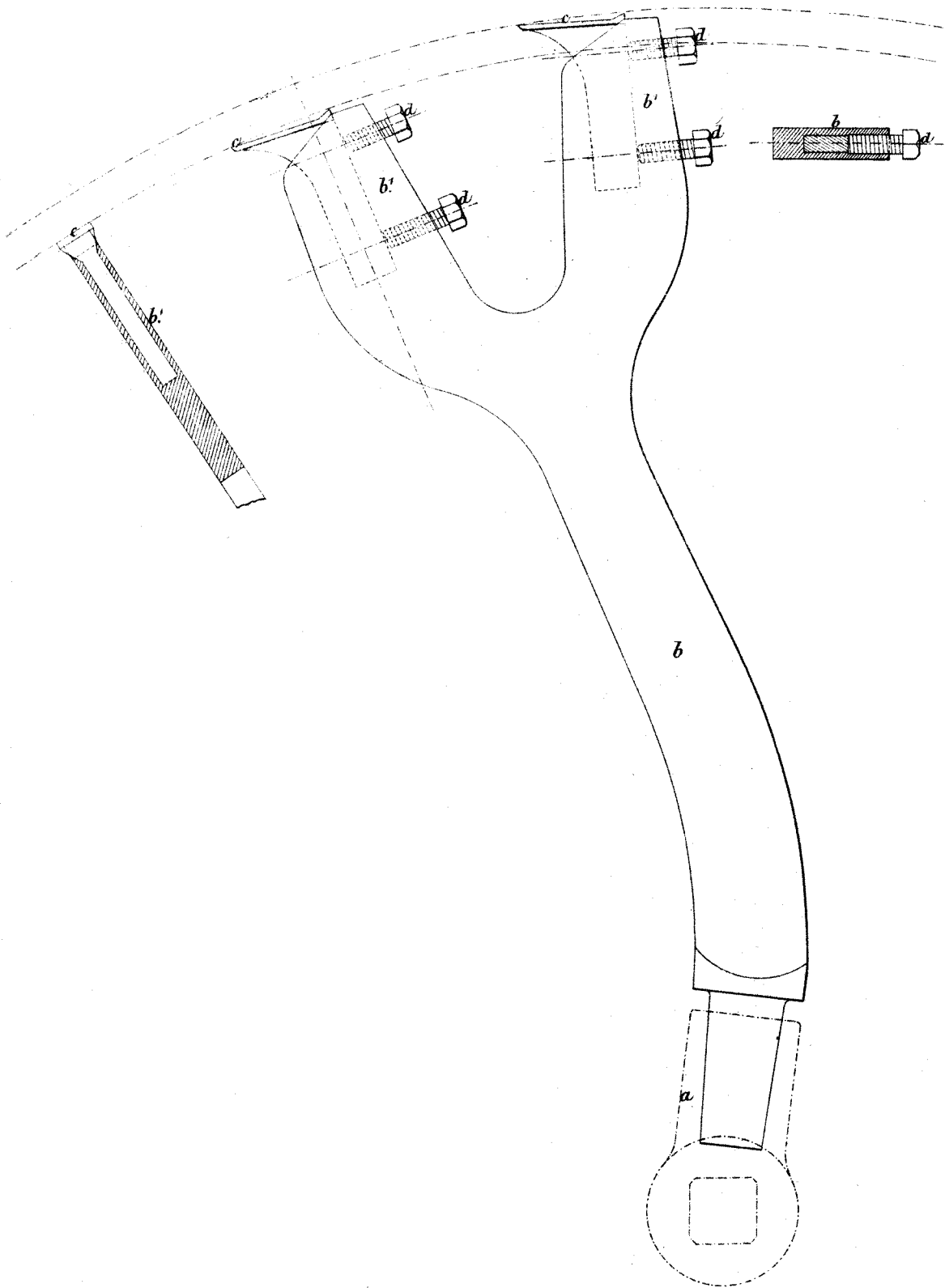


FIG. 2^b

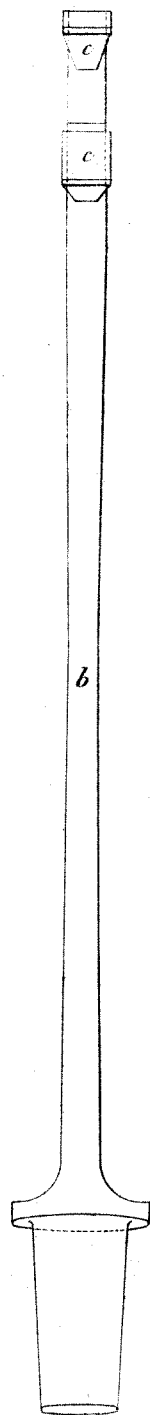


FIG. 4.

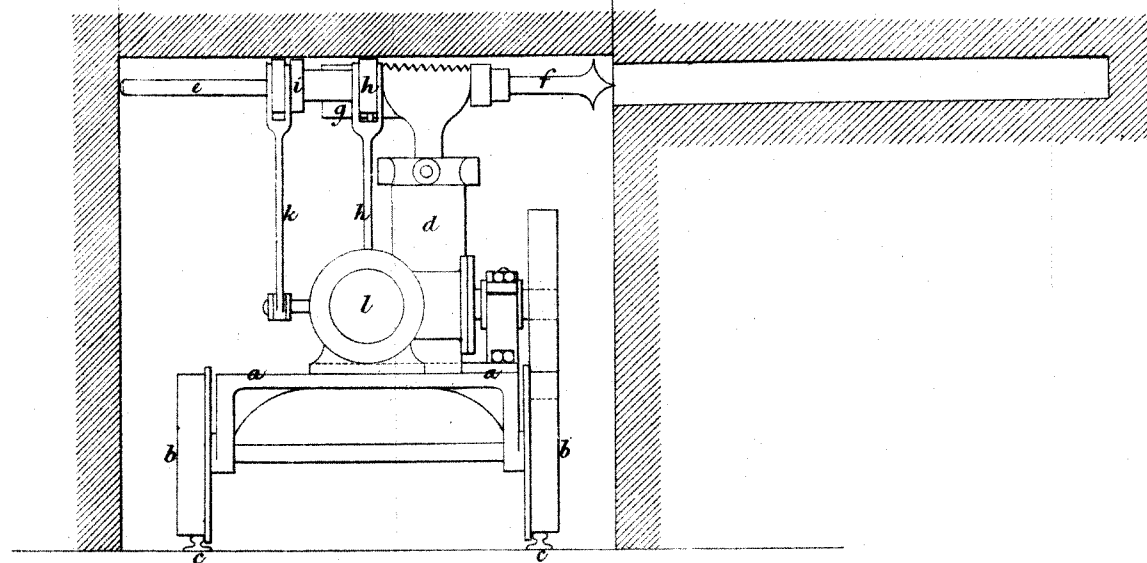


FIG. 3.

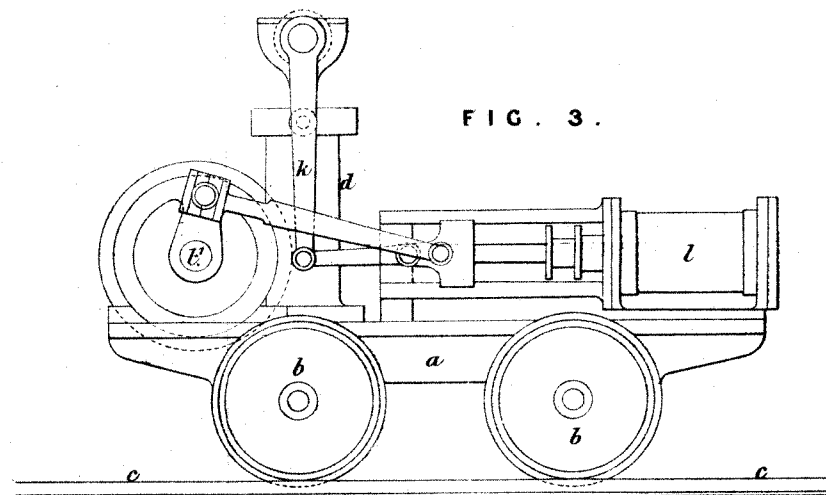
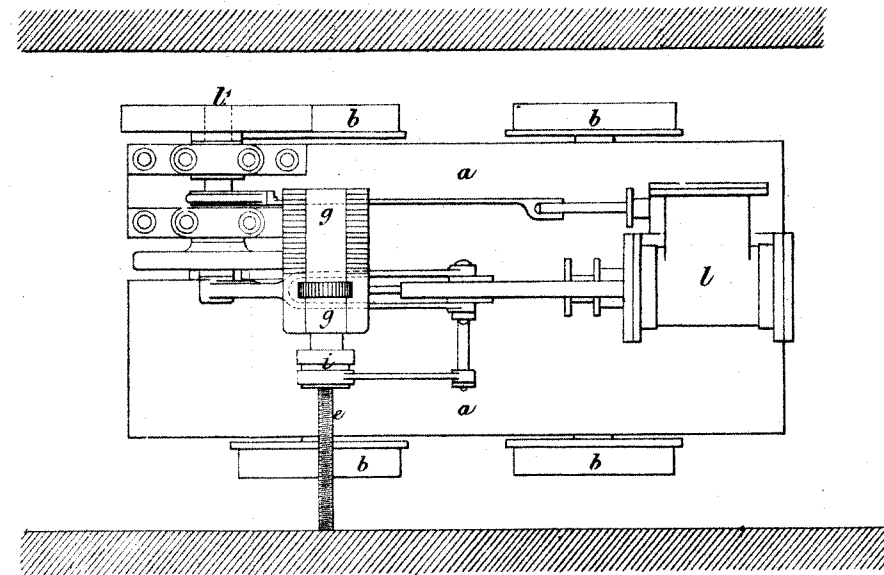


FIG. 5.



*This is the sheet of drawings marked D, referred to
in the annexed Letters of Registration granted to William Park
his seventh day of March 1876.
Archie Robertson*

copy
E

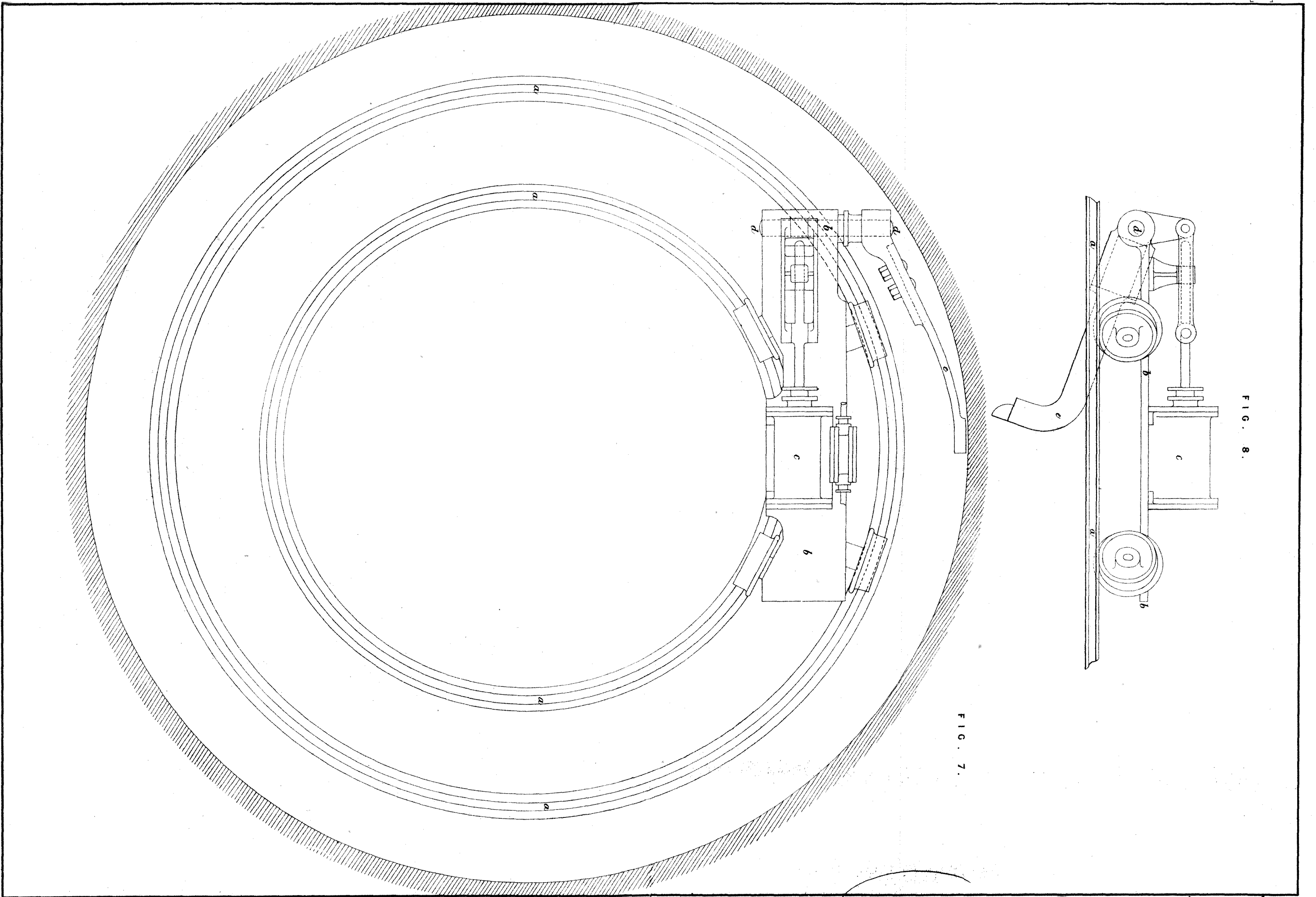


FIG. 7.

FIG. 8.

*This is the sheet of Drawings marked E, referred
to in the annexed Letter of Registration granted to
William Smith this seventh day of March 1876
Heracles Robinson*

F *copy*

FIG. 13.

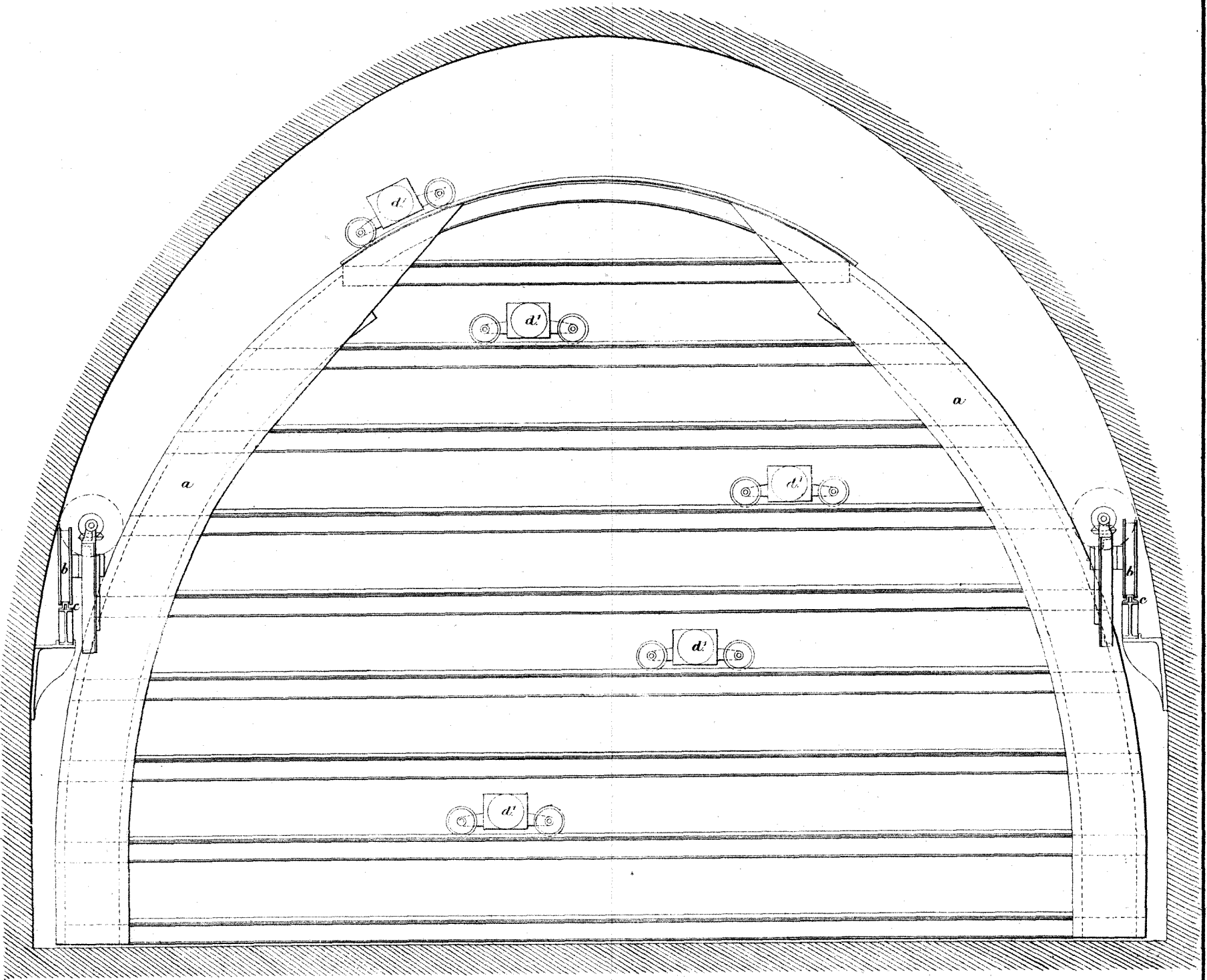


FIG. 12.

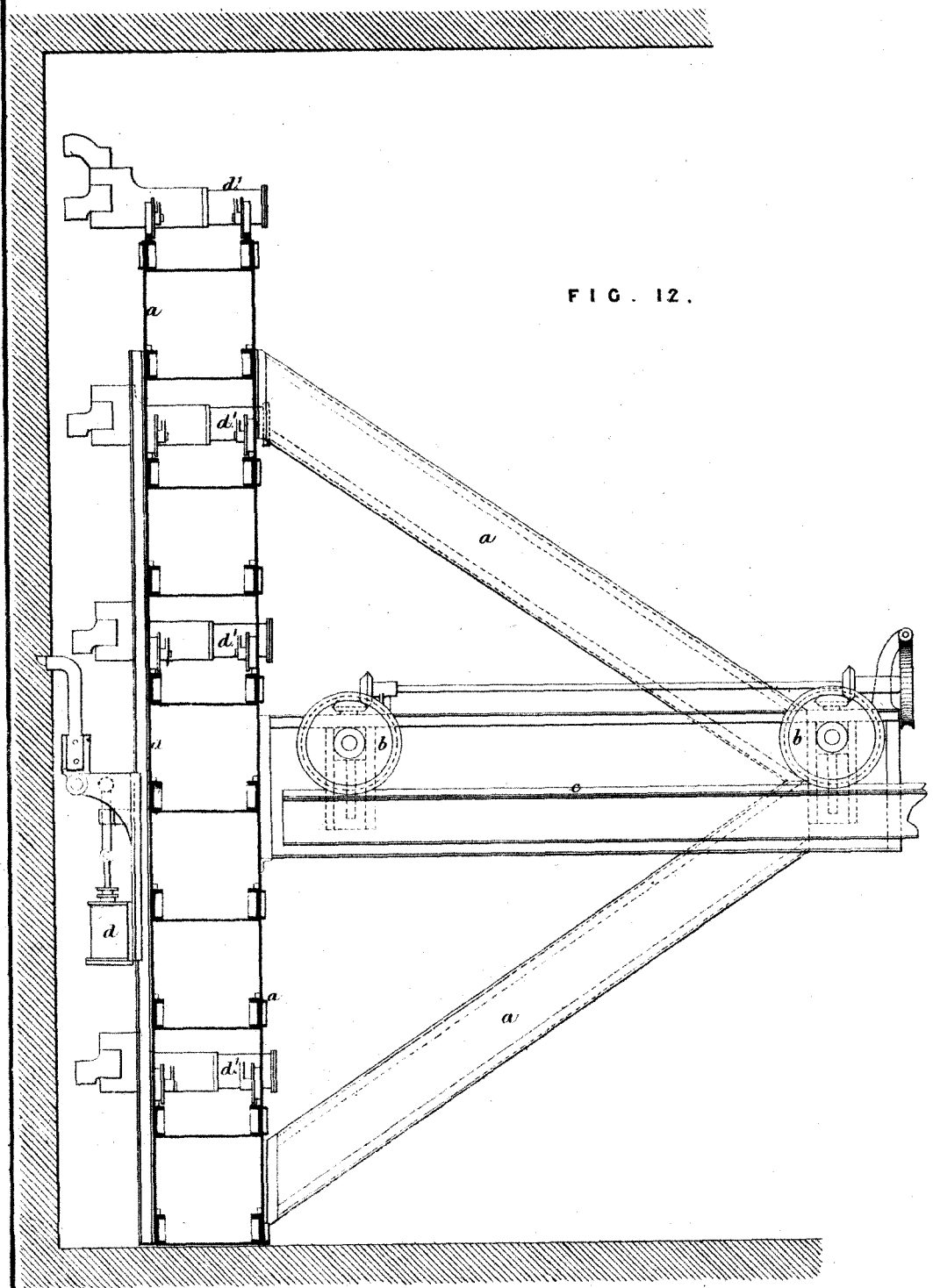


PHOTO-LITHOGRAPHED AT THE GOVT. PRINTING OFFICE, SYDNEY, NEW SOUTH WALES.

This is the sheet of Drawings marked F referred to in the annexed Letters of Specification granted to William Smith this seventh day of March 1876 Hercules Robinson

FIG. 14.

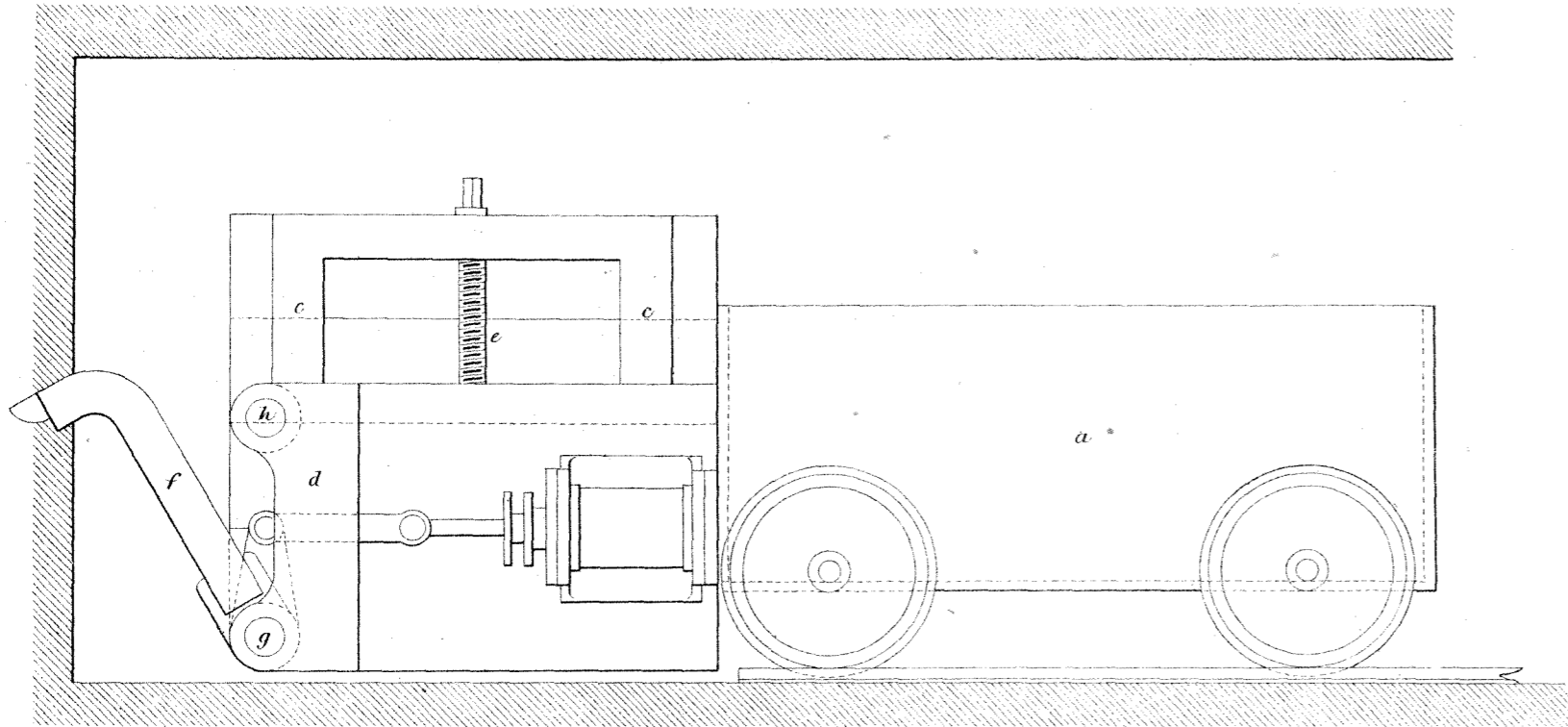


FIG. 16.

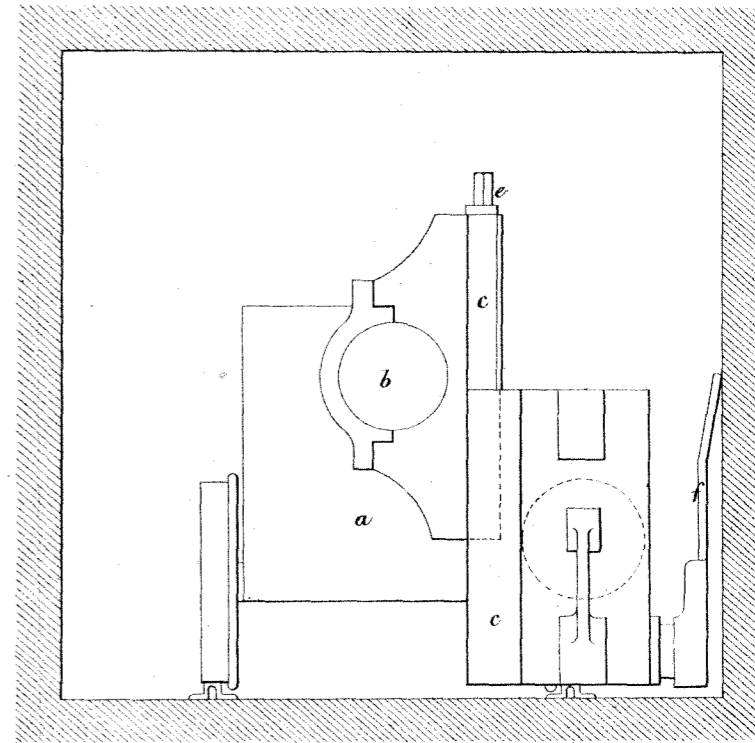


FIG. 15.

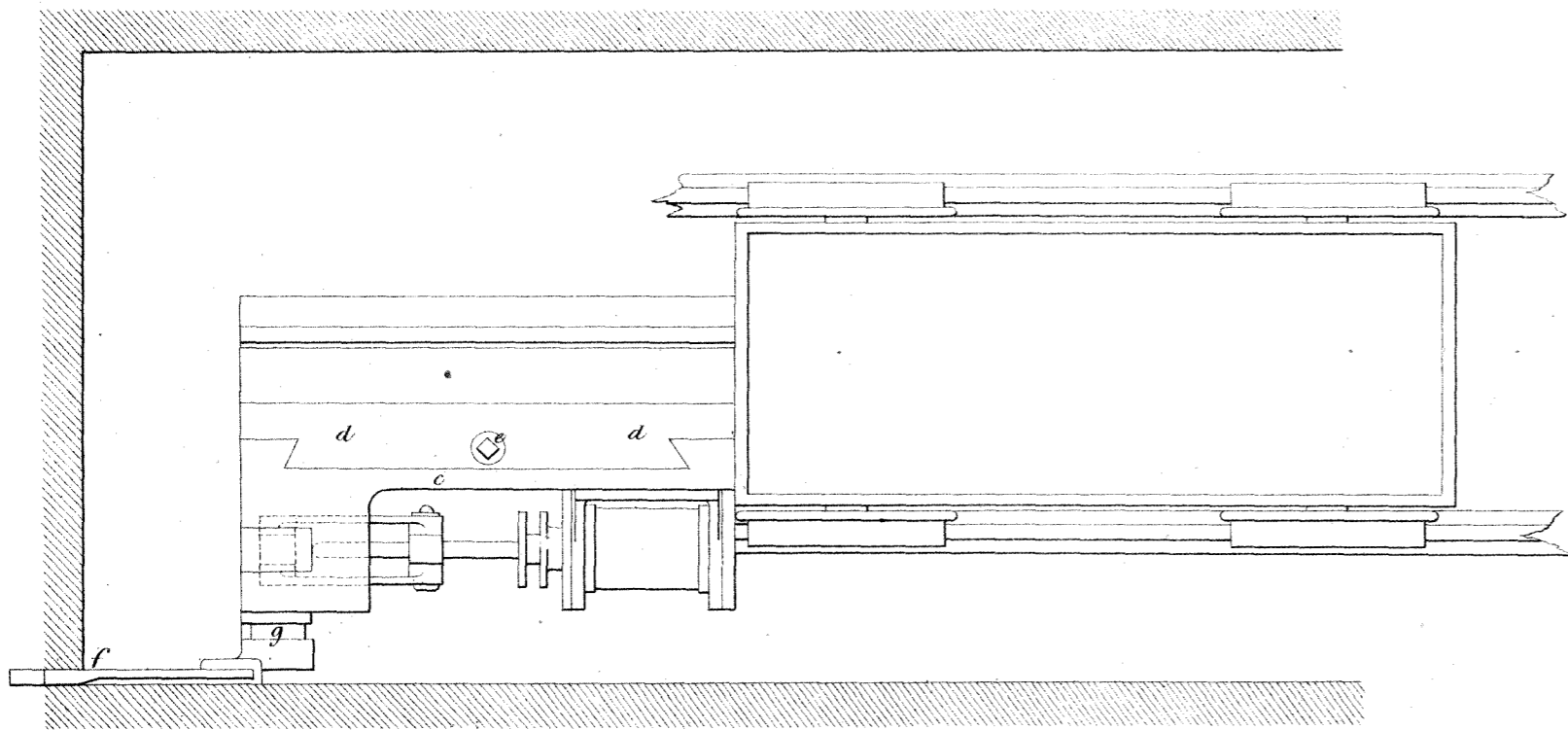
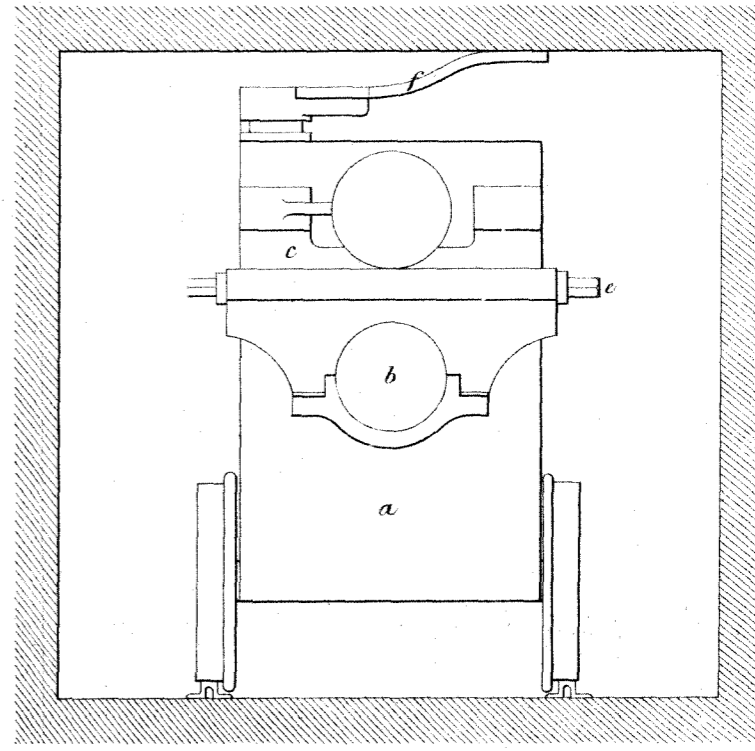


FIG. 17.



*This is the Sheet of Drawings marked G referred to
 in the annexed Letters of Registration granted to William
 Smith this seventh day of March 1876
 Hercules Robinson*

FIG. 18.

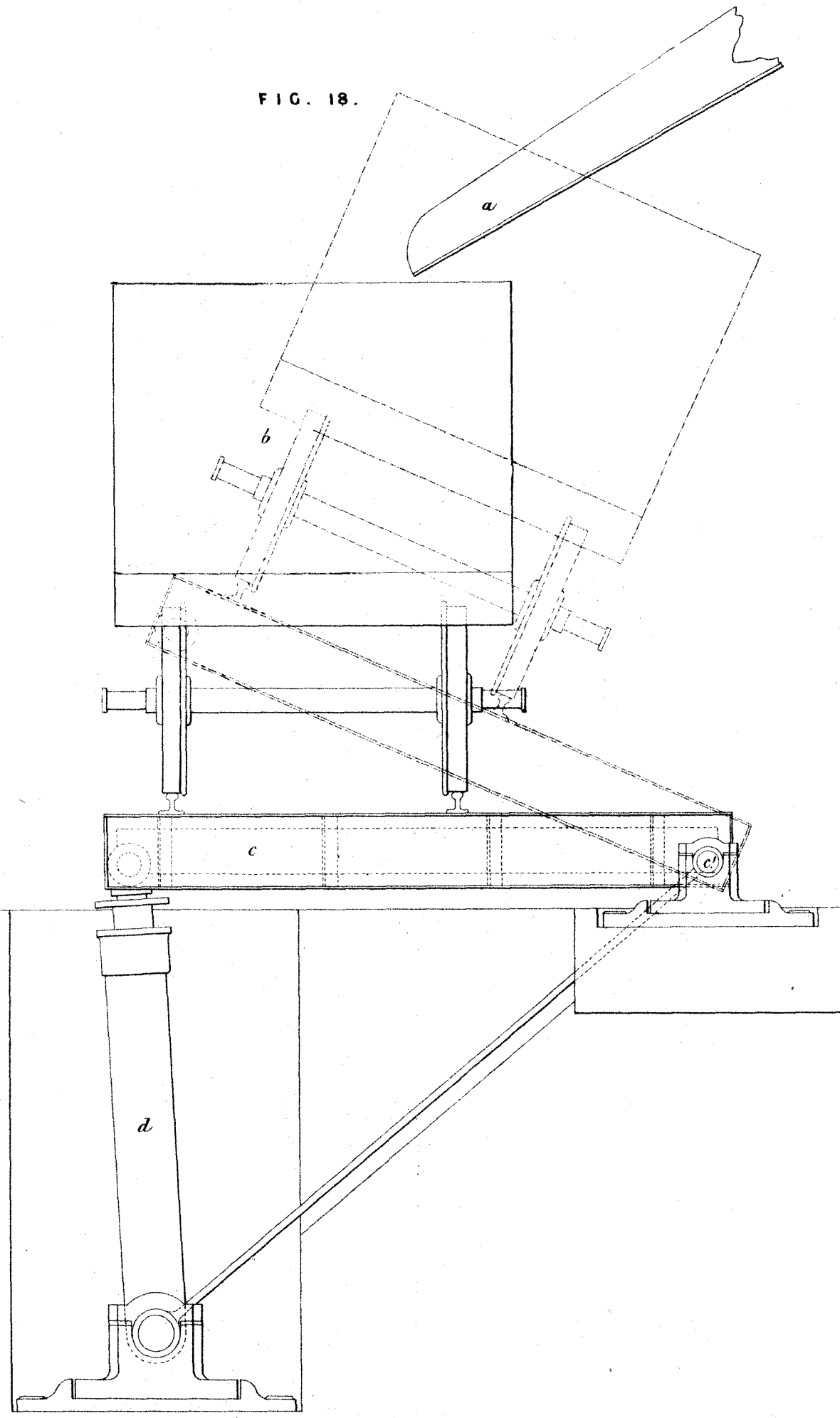
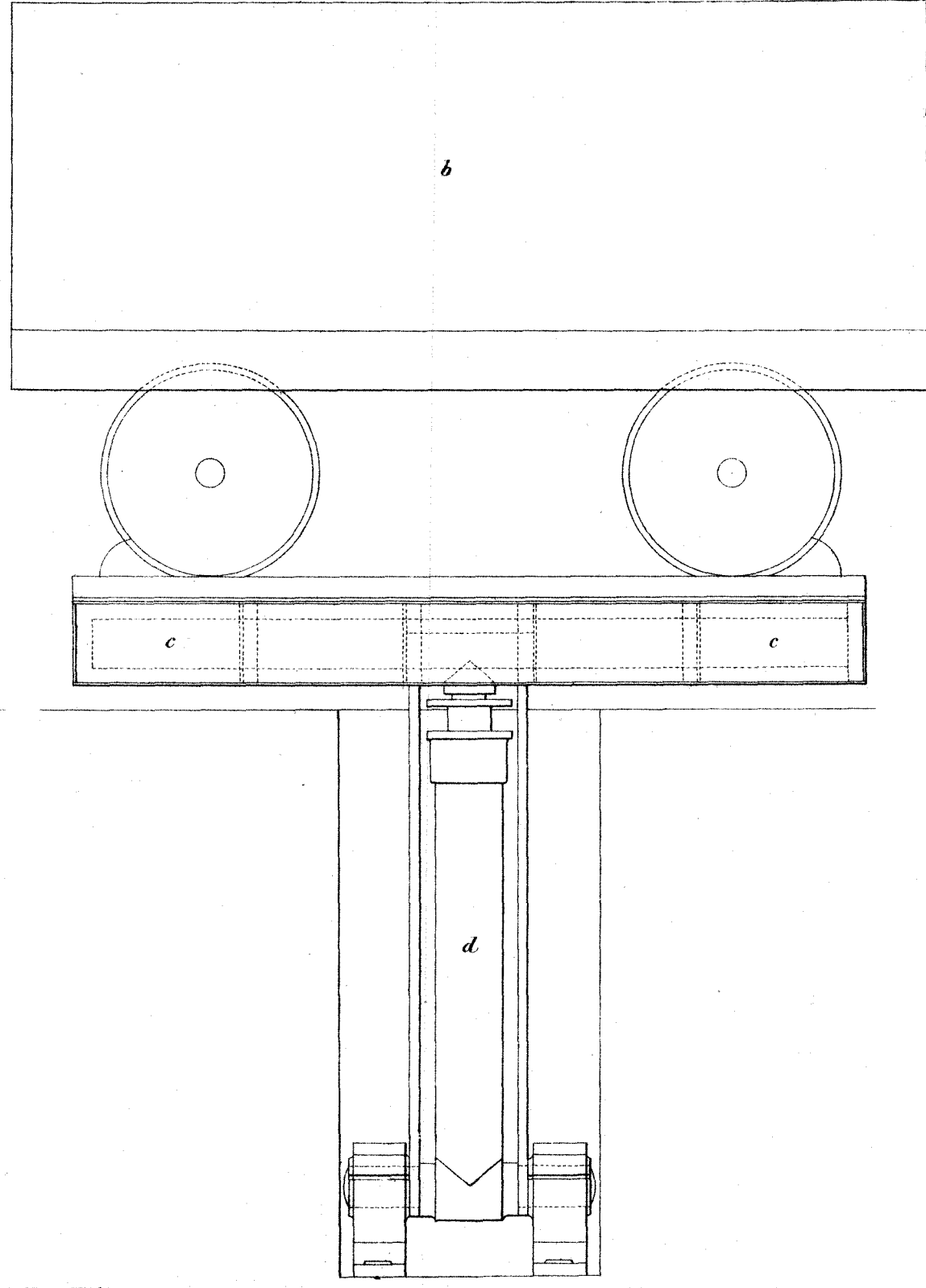


FIG. 19.



*This is the Sheet of Drawings marked H referred to in
 the assented Statute of Registration granted to William Fairbairn
 the seventh day of March 1876
 Hercules Robinson*

[35]



A.D. 1876, 7th March. No. 512.

IMPROVEMENTS IN CLOTHES-WASHING MACHINES.

LETTERS OF REGISTRATION to Mr. Hans Echberg for Improvements in Clothes-washing Machines.

[Registered on the 9th March, 1876, in pursuance of the Act 16 Vic. No. 24.]

BY HIS EXCELLENCY SIR HERCULES GEORGE ROBERT ROBINSON, Knight Grand Cross of the Most Distinguished Order of St. Michael and Saint George, Governor and Commander-in-Chief of the Colony of New South Wales and its Dependencies, and Vice-Admiral of the same.

TO ALL TO WHOM THESE PRESENTS SHALL COME, greeting :

WHEREAS HANS ECHBERG, of Russell-street, Melbourne, in the Colony of Victoria, cabinet-maker, hath by his Petition humbly represented to me that he is the author or designer of a certain invention or improvement in manufactures, that is to say, of an invention for "Improvements in Clothes-washing Machines," which is more particularly described in the specification and sheet of drawings which are hereunto annexed; and that he, the said Petitioner, hath deposited with the Honorable the Treasurer of the said Colony of New South Wales the sum of Twenty Pounds sterling, for defraying the expense of granting these Letters of Registration, as required by the Act of Council, sixteenth Victoria, number twenty-four; and hath humbly prayed that I would be pleased to grant Letters of Registration, whereby the exclusive enjoyment and advantage of the said invention or improvement might be secured to him for a period of fourteen years: And I, being willing to give encouragement to all inventions and improvements in the arts or manufactures which may be for the public good, and having received a report favourable to the prayer of the said Petition, from competent persons appointed by me to examine and consider the matters stated therein, and to report thereon for my information, am pleased, with the advice of the Executive Council, and in exercise of the power and authority given to me by the said Act of Council, to grant, and do by these Letters of Registration grant unto the said Hans Echberg, his executors, administrators, and assigns, the exclusive enjoyment and advantage of the said invention or improvement, for and during the term of fourteen years from the date hereof: to have, hold, and exercise unto the said Hans Echberg, his executors, administrators, and assigns, the exclusive enjoyment and advantage thereof, for and during and unto the full end and term of fourteen years from the date of these presents next and immediately ensuing, and fully to be complete and ended: Provided always, that if the said Hans Echberg shall not, within three days after the granting of these Letters of Registration, register the same in the proper office in the Supreme Court at Sydney, in the said Colony of New South Wales, then these Letters of Registration, and all advantages whatsoever hereby granted, shall cease and become void.

In witness whereof, I have hereunto set my sign manual, and have caused the present Letters of Registration to be sealed with the seal of the said Colony of New South Wales, at Government House, Sydney, in New South Wales, this seventh day of March, in the year of our Lord one thousand eight hundred and seventy-six.

(L.S.)

HERCULES ROBINSON.

Improvements in Clothes-washing Machines.

SPECIFICATION of HANS ECHBERG, of Russell-street, Melbourne, in the Colony of Victoria, cabinet-maker, for an invention, intituled "Improvements in Clothes-washing Machines."

THIS invention of improvements in clothes-washing machines consists in the use of boxes or troughs lined throughout with half columns corrugated crosswise, so placed as to present the corrugated semicircular faces to the inside of the box or trough. This box is made by preference longer at the top than the bottom, and is suspended by gudgeons resting in bearings supported by a suitable framing on each side. The box has a lid sufficiently large to admit of the clothes being supplied. When charged with water and clothes the lid is fastened down and the machine swung to and fro on its gudgeons. In a short period the clothes are washed and removed. A plug fills a hole at the bottom for discharging the dirty water.

The drawing hereto annexed clearly illustrates my invention. Figure 1 showing perspective of my machine, and figure 2 a representation (half size) of the half columns corrugated crosswise with which the machine is lined.

My machines are cheap and effective, requiring only a very small amount of power to work them.

Without confining myself to precise details, so long as the nature of the said invention be retained, I claim the improvements in clothes-washing machines herein described and explained, the essential feature in which is the half columns corrugated crosswise with which they are lined.

This is the specification referred to in the annexed Letters of Registration, granted to Hans Echberg, this seventh day of March, 1876.

HERCULES ROBINSON.

REPORT.

SIR,

Having, in attention to your B.C. minute of the 29th ultimo, examined the plans and specification accompanying the application of Hans Echberg, praying for a grant of Letters of Registration for his invention for "Improvements in Clothes-washing Machines," we have now the honor to state that we see no objection to the prayer of the Petition being complied with.

Sydney, 7 February, 1876.

We have, &c.,

E. O. MORIARTY.

GOTHER K. MANN.

THE PRINCIPAL UNDER SECRETARY.

[Drawings—one sheet.]

Copy.

H. ECHBERG'S — PATENT.

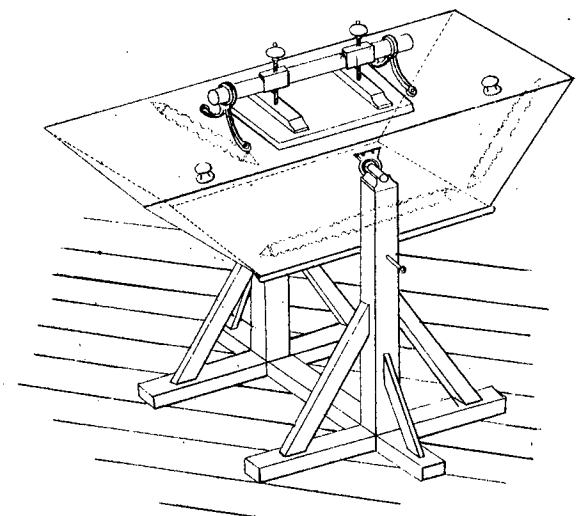


Fig. 1.

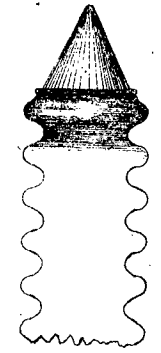


Fig. 2.

*This is the Sheet of Drawings referred to in
 the annexed Letters of Registration granted to
 Hans Echberg the seventh day of March 1876
 Hercules Robinson*

(225-)

[37]



A.D. 1876, 7th March. No. 513.

IMPROVEMENTS IN MACHINERY FOR PRINTING.

LETTERS OF REGISTRATION to Elijah Beech, for Improvements in Machinery for Printing.

[Registered on the 9th day of March, 1876, in pursuance of the Act 16 Vic. No. 24.]

BY HIS EXCELLENCY SIR HERCULES GEORGE ROBERT ROBINSON, Knight Grand Cross of the Most Distinguished Order of Saint Michael and Saint George, Governor and Commander-in-Chief of the Colony of New South Wales and its Dependencies, and Vice-Admiral of the same.

TO ALL TO WHOM THESE PRESENTS SHALL COME, greeting :

WHEREAS ELIJAH BEECH, of the city of Manchester, in the county of Lancaster, in the Kingdom of Great Britain and Ireland, printer, hath by his Petition humbly represented to me that he is the author or designer of a certain invention or improvement in manufactures, that is to say, of an invention for "Improvements in Machinery for Printing," which is more particularly described in the specification and the two sheets of drawings, marked A and B respectively, which are hereunto annexed; and that he, the said Petitioner, hath deposited with the Honorable the Treasurer of the said Colony the sum of Twenty Pounds sterling, for defraying the expense of granting these Letters of Registration, as required by the Act of Council sixteenth Victoria, number twenty-four; and hath humbly prayed that I would be pleased to grant Letters of Registration, whereby the exclusive enjoyment and advantage of the said invention or improvement might be secured to him for a period of fourteen years: And I, being willing to give encouragement to all inventions and improvements in the arts or manufactures which may be for the public good, and having received a report favourable to the prayer of the said Petition, from competent persons appointed by me to examine and consider the matters stated therein and to report thereon for my information, am pleased, with the advice of the Executive Council, and in exercise of the power and authority given to me by the said Act of Council, to grant, and do by these Letters of Registration grant unto the said Elijah Beech, his executors, administrators, and assigns, the exclusive enjoyment and advantage of the said invention or improvement, for and during the term of fourteen years from the date hereof: to have, hold, and exercise, unto the said Elijah Beech, his executors, administrators, and assigns, the exclusive enjoyment and advantage thereof, for and during and unto the full end and term of fourteen years from the date of these presents next and immediately ensuing, and fully to be complete and ended: Provided always, that if the said Elijah Beech shall not, within three days after the granting of these Letters of Registration, register the same in the proper office in the Supreme Court at Sydney, in the said Colony of New South Wales, then these Letters of Registration, and all advantages whatsoever hereby granted, shall cease and become void.

In witness whereof, I have hereunto set my sign manual, and have caused the present Letters of Registration to be sealed with the seal of the said Colony of New South Wales, at Government House, Sydney, in New South Wales, this seventh day of March, in the year of our Lord one thousand eight hundred and seventy-six.

(L.S)

HERCULES ROBINSON.

Improvements in Machinery for Printing.

SPECIFICATION.

My invention has for its object machinery whereby subject matter and progressive numbers may be continuously printed upon rolls or strips of paper, card, or other suitable material, which may be also perforated or divided by the machinery into suitable lengths for cheques or other documents. I am aware that machinery for this purpose was described in the specification of British Letters Patent granted to Simeon Sampson, dated the 25th day of March, A.D. 1873, and numbered 1,097, but the arrangement and combination of mechanism therein proposed is imperfect and objectionable in practice, and cannot be worked satisfactorily. My invention consists, firstly, in an improved combination and arrangement of the mechanism in which the drums for the front impression of subject matter or type, the first and second impression cylinders, the perforating cylinder, and perforators, are all placed with their axis in the same horizontal plane. The face-plate, wheel, or disc, carrying the numbering discs, is placed over the first impression cylinder, and the drum for the subject matter or type, for the back impression, under the second impression cylinder. The drum from which the unprinted strip is drawn, and that upon which the printed and numbered strip is rolled, are placed—the former on one side, the latter on the other side of the machine, below the level of the axis of the first-named drums and cylinders, and rotate upon studs fixed in brackets secured to the frame of the machine. The strip or roll of material to be printed and numbered upon passes from the drum over one and under another guide roller under and between the first subject matter drum and the first impression cylinder, then over the latter and between it and the numbering mechanism, then between the first and second impression cylinders and under the latter, and between it and the second subject matter cylinder; then between the second impression cylinders and the perforating cylinder over the latter, and between it and the perforator, under the latter to the drum upon which the printed strip of paper is wound. The two subject matter or type drums and the numbering mechanism have separate inking arrangements formed by a roller working in contact with the ink in the trough; a second roller working in contact with the latter and the two other rollers which work in contact with the second roller and with the type, there being also a roller having end motion to distribute the ink working in contact with the second roller. Each set of inking rollers is geared together, and with the type drum which they have to ink. The shaft of the numbering mechanism and subject matter drums are arranged in slides, and have screws for adjusting them in relation to the impression cylinders. The numbering mechanism is formed by ten sets of numbering discs arranged in a circle; each set of discs is placed on a stud forming its axis which is secured on a disc or face-plate, the axis of each set of discs being parallel to the axis upon which the face-plate rotates, and not at a right-angle thereto, as hitherto proposed. Each set of discs is actuated to change its number once for each revolution of the face-plate by a pawl similar to that used for ordinary paging fixed on a stud in the framing, and as the face-plate rotates the ratchet-wheel of each set of discs in passing comes in contact with the said pawl, and this causes the ratchet-wheel to move one tooth, this motion being communicated to the numbering discs in the ordinary manner.

The second part of my invention relates to the arrangement of the figures of the numbering discs, when two or more sets are carried round on the same face-plate or wheel, and consists as follows:—When making single impressions, that is, one impression of each number, I make the ten figures of the units disc, of the first set of discs, all of the figure 1, and the ten figures of the units disc of the second set, of the figure 2, and so on, the ten figures of the units disc of the tenth set of discs, all of the figure 0; when so made the units disc is secured to the tens disc, which moves with it and with the ratchet-wheel. All the discs of each set of discs, except the units, are figured in the ordinary manner. For printing duplicate numbers, that is, two impressions in succession of the same number, my invention consists in arranging so that the units discs of the ten sets of numbering discs have each ten figures arranged as follows:—For the first and second sets the figures 1 and 6 alternately, for the third and fourth sets the figures 2 and 7 alternately, for the fifth and sixth sets the figures 3 and 8 alternately, for the seventh and eighth sets the figures 4 and 9 alternately, and for the ninth and tenth sets the figures 5 and 0 alternately. The discs of each set, except the units disc, are numbered in the ordinary manner; the units disc is geared or arranged to move the tens disc at each alternate figure or movement of the units disc, that is when the figures 5, 6, 7, 8, and 9, upon the units disc have printed, and the next movement of the units discs takes place they carry forward the tens discs one figure. For printing numbers in triplicate, that is repeating the same number three times in succession, I employ fifteen sets of discs carried upon the plate or wheel with the figures on each units disc, arranged as if for duplicate numbering, viz.:—The 1st, 2nd, and 3rd sets of discs with the figures of the units disc engraved with the figures 1 and 6 alternately, and the 4th, 5th, and 6th sets of discs with the figures 2 and 7 alternately, and so on; there being three sets of discs in succession with the figures engraved in the same order, instead of two sets as for duplicate printing. I also number consecutively by placing on the plate or wheel five sets of discs with the figures of the units discs engraved as for duplicate numbering, namely,—with the first, third, fifth, seventh, and ninth, of the ten sets of discs above mentioned, as used for duplicate numbering. I also number in duplicate or triplicate, and so on, by fixing upon the plate or wheel carrying the discs—two sets for duplicate, or three sets of discs for triplicate numbering, and so on for other repetitions of the same number. The sets of discs last named have their figures arranged the same as for ordinary consecutive numbering. I also accomplish triplicate numbering by three, six, or nine sets of discs carried round upon a face-plate, drum, or wheel, with the units discs figured as follows: with three sets of discs the figures are as for ordinary consecutive printing; when six sets of discs are used, the units disc (having ten figures each) of the 1st, 2nd, and 3rd sets of discs are figured 1, 3, 5, 7, 9, 1, 3, 5, 7, 9, and the 4th, 5th, and 6th sets of discs are figured 2, 4, 6, 8, 0, 2, 4, 6, 8, 0. The units disc moves the tens after printing the figure 9 in 1st, 2nd, and 3rd sets, and after figure 8 in the 4th, 5th, and 6th sets of discs. When nine sets of discs are used on a face-plate or wheel for triplicate numbering the units disc of each set has ten figures as follows: 1, 4, 7, 0, 3, 6, 9, 2, 5, 8, and the tens disc is moved the first movement after printing the figures 7, 8, and 9, and in commencing to number the first three sets of discs are set at the figure 1, the second three sets of discs are set at the figure 2, and the third three sets of discs are set at the figure 3. I also accomplish triplicate numbering by ten sets of discs placed upon a drum or face-plate, the units disc having three, six, nine, or twelve figures upon it (repeated if more than three figures) in the following order, viz.: the units for the first set, 1, 4, 7; second set,

Improvements in Machinery for Printing.

set, 1, 4, 8; third set, 1, 5, 8; fourth set, 2, 5, 8; fifth set, 2, 5, 9; sixth set, 2, 6, 9; seventh set, 3, 6, 9; eighth set, 3, 6, 0; ninth set, 3, 7, 0; and tenth set, 4, 7, 0. The units disc moves the tens disc at the first movement after printing the figures named, as follows, viz.: in the 1st, 9th, and 10th set of discs at the figure 7; in the 2nd, 3rd, and 4th at the figure 8; in the 5th, 6th, and 7th at the figure 9; and in 8th set of discs at the figure 6.

Thirdly, my invention consists in arranging the sets of discs when used singly so as to be mounted on an axis with a small amount of eccentricity (the axis of the discs being parallel to the axis of rotation); and my invention also consists in combining to work together several sets of discs, each on a separate axis of rotation, so as to print upon the same strip or roll of paper or other material as it passes round or partly round the same or a separate impression, cylinder, or cylinders, either numbers in consecutive duplicate or triplicate, or so on, order or series; and the discs are or may be arranged so that one will print if three sets are used, say Nos. 1, 4, 7, 10, and so on (every third number); and another, Nos. 2, 5, 8, 11, and so on; and another, Nos. 3, 6, 9, 12, and so on, as well as duplicate and other numbers in the same manner. By this means several numbers can be consecutively printed on the length of strip or roll in the space between the numbers printed by one set of discs, and thus shorter documents may be made with sets of discs of comparatively large circumference, and the numbers can be arranged to come on any required part of the lengthway of the roll or strip being printed.

When two, three, or more sets of discs are employed as above described under the third head of my invention, the units discs are moved two figures at a time; when two sets of discs are employed, three figures at a time; when three sets of discs are employed, and so on; but the units disc need only be moved one figure at a time, if the figures are arranged in the following order, namely: for numbering consecutively with two sets of discs, the units disc of one set is figured 1, 3, 5, 7, 9, 1, 3, 5, 7, 9; and the other 2, 4, 6, 8, 0, 2, 4, 6, 8, 0, and the tens disc is moved twice during each revolution of the units disc, that is during that movement which takes place immediately after printing the figure 9 by one set of discs, and after printing the figure 8 by the other set of discs. When three sets of discs are used for consecutive printing the units discs are figured as follows: 1, 4, 7, 0, 3, 6, 9, 2, 5, 8, and in starting to number, one set of discs is set at 1, the next at 2, and the next at 3. The units disc of each set is arranged in this case to move the tens disc when the movement takes place immediately after printing the figures 7, 8, and 9. In numbering consecutively with four sets of discs, each set rotating on a separate axis, the units disc of the first and third set of discs is figured in the following order, 1, 5, 9, 3, 7, 1, 5, 9, 3, 7, and the units disc of the second and fourth sets of discs is figured 2, 6, 0, 4, 8, 2, 6, 0, 4, 8; and in commencing to number, the first set of discs is set at the figure 1, the second set at the figure 2, the third set of discs at the figure 3, and the fourth set of discs at the figure 4; and the units disc of each set of discs is arranged to move the tens disc in the first and third set of discs at that movement taking place after printing the figures 7 and 9, and for the second and fourth sets of discs after printing the figures 6 and 8. Duplicate or triplicate, and so on, numbering, when the impressions are printed in the same line simultaneously or thereabouts, is accomplished by two or more sets of discs arranged side by side to revolve on the same axis or shaft, each set of discs in a different rotating plane, the figures of each set of discs being arranged the same as for consecutive numbering by a single set of discs.

The figures on sheet 1 illustrate the improvements forming the first part of my invention. Fig. 1 is a front elevation, fig. 2 a back elevation, and fig. 3 a plan view of the machine. The other figures on sheet 1 show more clearly the construction of the details, and will be referred to in course of the following explanation:—The machine illustrated by the drawings is intended to operate upon narrow strips or webs of paper or other material, but it is obvious that machines may be constructed to operate upon wide webs of paper or other material upon the same principle; and instead of the shafts being carried on one side frame only as illustrated by the drawings, two side frames may be used, one upon each side of the operating parts, suitable bearings being formed for each shaft in both side frames especially when the machine is intended to operate upon wide webs of material. A is the side-frame or plate upon which the mechanism and operating parts are mounted. *a* is the drum upon which the type or stereotype or subject matter for the front impression is mounted; *b* and *c* are the first and second impression drums covered with blanket, india-rubber, or other suitable material as understood; and *d* is an intermediate drum covered with india-rubber or other elastic material for the perforating drum *e* to act against; *f* is the drum for the type, stereotype, or subject matter, for the back impression, and this drum acts against the second impression cylinder *c*; *g* is the face-plate which carries the sets of discs that imprint the numbers in passing the front impression cylinder *b*. The two subject matter drums *a* and *f* are each mounted in a bearing which is arranged to slide in the frame, and to be adjusted by a screw; the arrangement of such slide, screw, and drum, in each case is illustrated; in reference to the drum *a*, fig. 4, which is a detached section on the line 1-1, fig. 1, where A is part of the frame; *a*² is a slide fitted in a slot in the frame. In the slide a hole is formed as a bearing for the shaft *a*¹, which has a collar, *a*³, at that end of the shaft at the back, and the drum *a* and its connected driving wheel *a*⁴ is secured on the shaft by a key; and the wood to which the stereotype is secured by screws is secured to the drum by a washer and a screw *a*⁵ at the front end of the shaft *a*¹. The adjusting screw *a*⁶ screws through the frame part A, and its end passes into a hole in the slide *a*² and has a collar, *a*⁷, fixed to it as shown. Fig. 5 is a section upon the line 2-2, fig. 1, showing the construction and mode of securing the impression drums *b* and *c* and the drum *d* to their respective shafts, illustrated in reference to the drum *b*; *b*¹ is the shaft to which the drum is keyed, and *b*² is the elastic material secured by a washer, *b*³, in front by the screw *b*⁴ at the front end of the shaft *b*¹. The shafts for the drums *b*, *c*, *d*, and *e* work in fixed bearings in the frame A. Fig. 6 is a detached section on the line 3-3, fig. 1, showing the mode of mounting the face-plate *g* for the numbering discs and its driving-wheel *g*² upon the shaft *g*¹; the face-plate *g* and wheel are keyed upon the front end of the shaft *g*¹, which is mounted in a sliding bearing *g*³, adjusted by a screw, *g*⁴, arranged as described in reference to fig. 4. The perforating drum *e* is secured by a pin or key upon the end of a shaft, *e*¹, as shown by fig. 7, a section on line 4-4, fig. 1, the shaft *e*¹ working in a stationary bearing in the frame-plate A. The machine may be driven by a handle, *x*, as shown in figs. 1, 2, and 3, or by a belt working in the ordinary manner upon fast and loose pulleys upon the shaft *b*¹, when the machine is to be driven by steam or other power. The shafts *c*¹, *d*¹, and *e*¹, of the drums *c*, *d*, and *e*, are all in gear with each other, and with a wheel *b*⁵ on the shaft *b*¹ of the drum *b*; these wheels, *c*², *d*², and *e*², being at the back of the frame-plate A, as shown. The subject matter drums *a* and *f* and the face-plate *g* are geared together by wheels on the shafts *a*¹, *f*¹, and *g*¹, in front of the frame-plate

Improvements in Machinery for Printing.

frame-plate A; a wheel on the shaft b^1 of the drum b gears with a wheel on the shaft a^1 of the drum c , also with a wheel on the shaft g^1 for the face-plate g , and may also gear with a wheel on the shaft e^1 of the drum c , which latter wheel gears with a wheel on the shaft f^1 upon or connected with the drum f . The two subject matter drums a and f and the figures of the numbering discs are each inked by a similar arrangement of rollers, except that the apparatus for the front subject matter cylinder has an additional transmitting roller. The construction and mode of mounting and driving the inking rollers is illustrated by reference to fig. 8, a detached section in the line 5-5, fig. 1. The inking roller h^1 is secured upon the long boss of the wheel which rotates upon a stud secured in the frame-plate. One of the inking rollers h^2 of each set is constructed as shown by fig. 9, a detached section upon the line 6-6, fig. 1. In the boss of this wheel or roller there is a cam slot in which the end of a pin h^3 enters, secured to the frame so that as the roller revolves it is moved to and fro endways at the same time to distribute the ink laterally. Each set of inking apparatus consists of a cistern h for ink, in which a roller h rotates so as to take the ink upon its surface, the thickness of the layer of ink taken by the surface of the roller being regulated by a bar which passes the lengthway of the roller, and can be brought close to its periphery the distance of the bar from the surface of the roller, and thus the depth of the layer of ink being regulated by the screw h^2 . The roller or rollers h^3 are carrying and distributing rollers, and the rollers h^4 come in contact with the type; the roller h^5 is the lateral distributing roller, and h^6 is the pin which enters its cam slot. The inking rollers gear with each other and with the wheel upon the drum carrying type to be inked. The inking cistern for the back impression cylinder has a thin metal cover h^* over it, as shown to protect the web of paper or material operated upon from being smeared by accident and matter from the passing web from falling into the ink. Each set of the numerical discs g^5 is constructed in a manner similar to those of the ordinary paging machine, and they are each mounted upon a stud which is secured into the face-plate g , as shown in figs. 1, 3, and 6, as illustrated by the drawings; there are supposed to be six rings or discs for figures which will number from 1 to 999,999, but any required number of rings or discs may be employed. The ratchet for actuating the rings or discs is secured to the outer disc or ring in front. When ten sets of discs are used for consecutive numbering, I make the ten figures of the units disc of each set all of the same figure, such figure being one in first set, 2 in the second set, and so on, the 10th set being 0. When the figures are thus arranged the ratchet and the unit and tens ring or disc are secured and move together. The various modes for engraving the figures for consecutive duplicate and triplicate numbering and so on, have been herein before described under the second head of my invention. The ten figures are engraved upon the edge of each ring, a line passing from top to bottom of the figures, being at a right-angle to the axis upon which the rings revolve, and the axis of each set of rings or discs is parallel to the axis of the face-plate g , which carries them round. The ratchet wheel g^* of each set of rings or discs has ten teeth, and is actuated to be moved one tooth at each revolution of the face-plate g by a pawl p , which is shown detached by fig. 10; p^1 is a stud secured in the frame-plate, A, and the pawl p is placed to oscillate upon the end of this stud, and is forced towards the teeth of the ratchet by a spring, p^2 , one end of which is secured to the stud p^1 and coils round it, the other end acting upon a projection from the pawl p . The movements of the pawl are limited by a stud, p^3 , secured in the frame-plate A, the end of which passes through a slot in the pawl as shown. The web of paper or material to be operated upon is wound upon a drum, i , placed upon a shaft, i^1 , in a bearing carried by a bracket, i^2 , secured to the frame-plate A, and friction to resist the unwinding of the roll to give the required tension to the web is regulated by the screw-nut i^3 , the end of which screws against the shaft or a clip on the shaft i^1 . The flanges of the drum are separate, and are screwed together by the wing nut i^4 . The web on leaving the drum i passes over the roller j placed on a stud in the frame-plate under a similar roller j^1 , between the drums a and b , where the front impression of subject matter is given over the drum b , and between it and the sets of numbering discs or rings on g , where the numbers are impressed, then under the drum c and between it and the drum f , where the subject matter is impressed on the back over the drum d , and between it and the perforating drum e , which carries T-pieces, e^2 having rows of points, these T-pieces being forced outwards by the cam e^3 formed on the end of a bent stud e^4 coming into the centre of the drum e , the bent stud being secured in the frame-plate A as shown in fig. 7; the springs e^5 upon the stem of each T-piece withdrawing the points from the web (the shape of the cam allowing this) after each row of perforations have been made. The printed numbered and perforated web passes under the roller j^2 and on to the drum k . The end of the web is first secured to the drum k by being passed round a pin, k^2 , which passes through the boss of the front flange of the drum and across its width. The flange of one side of the drum is formed with a boss, and is separated from the other flange of the drum to which it is secured by a wing screw nut k^4 upon the end of the drum shaft k^1 as shown, the other flange of the drum being connected with the driving shaft by a pin or key. The shaft k^1 rotates in a bearing which can be slid to and fro in a slot formed in a bracket, k^5 , secured to the frame-plate A, and this shaft has a pulley, k^6 , upon it, which is driven by an endless cord, k^7 , working upon a pulley, b^6 , keyed upon the first motion shaft b^1 . By means of the screw k^3 the tightness of the endless band k^7 upon the pulleys can be regulated. The sizes of the pulleys k^6 and b^6 are such that they give more winding-up speed than is required, but as the slip of the endless band is regulated by the screw k^3 the web is wound up sufficiently tight and only as fast as it travels through the printing and perforating apparatus. The second part of my invention, and also so much of the third part of my invention as relates to the arrangement of the figures of the numerical discs and of actuating them, is carried into effect by arranging the sets of discs and engraving figures upon their rings to accomplish the objects referred to in the order hereinbefore described, and by arranging the spring and pin, or two or more springs and pins, to be carried by the units disc to move the tens in each case at the figures hereinbefore mentioned. In some cases there need be only one spring pin in each units disc (as in ordinary numerical discs), but this spring-pin is acted upon by several separate cam surfaces; there being one cam surface for each time the units disc is to act upon the tens disc during one revolution of the units disc, such cam surfaces being placed at those points in the revolution of the units disc at which its spring-pin is to act upon the tens disc. For instance, in consecutive numbering with five sets of discs, or duplicate numbering with ten sets of discs, or triplicate numbering with fifteen sets of discs, when the units disc of one set is numbered 1 and 6 alternately, and 2 and 7 alternately, and so on, there are five cam surfaces, and a space between each cam surface, so that the spring-pin of the units disc is acted upon every alternate movement of the units disc to move the tens disc. In numbering in consecutive order with two sets, duplicate

Improvements in Machinery for Printing.

duplicate order with four sets, and triplicate order with six sets of discs, when the units discs of the set or sets having odd figures are numbered 1, 3, 5, 7, 9, 1, 3, 5, 7, 9, and the units discs of the set, or sets of discs having even figures are numbered 2, 4, 6, 8, 0, 2, 4, 6, 8, 0, one spring-pin may be used and two cam surfaces. For consecutive numbering with 4 sets of discs with the units discs of the sets of discs with odd figures, viz.: 1, 5, 9, 3, 7, 1, 5, 9, 3, 7, and the units discs of the sets of discs having even figures, viz.: 2, 6, 0, 4, 8, 2, 6, 0, 4, 8, one spring-pin only may be used with two cam surfaces. But in using sets of discs with the units disc numbered with odd and even numbers, viz.: 1, 4, 7, 0, 3, 6, 9, 2, 5, 8, three pins must be used in each units disc, all actuated by passing one cam surface. The manner of carrying the third part of my invention into effect is illustrated by the figures on sheet 2. Fig. 11 is a front elevation, and fig. 12 is a plan view of a machine according to the third part of my invention, and fig. 13 is a front view, and fig. 14 a longitudinal section, and fig. 15 a cross section of parts detached hereinafter described. i is the drum for the web of paper or other material to be printed, j guide roller under which the paper passes before going to the subject matter drum a , a' shaft for same, b large impression drum, and b' its shaft, c shaft, and c second impression drum, d shaft, and d elastic surfaced drum for perforating drum e to act against, f shaft, and f drum for back subject matter, h^1 shaft, h^1 screw, and h drum for winding up the printing and perforating web, and h cistern, h^1 , h^2 , and h^3 , inking rollers, and h^3 lateral distributing inking roller. All the parts above referred to from the drum i to the last-named roller are constructed, mounted, and arranged substantially as hereinbefore explained under the first head of my invention, except where modified as hereinafter described. The axis of the drums a , b , c , f , and h , are each fitted to rotate in a bearing formed in an eccentric fitted in the frame-plate, and the axis of the drums for the numerical discs are arranged in like manner. The eccentrics for these bearings are each formed at one end with six sides so as to be turned when adjustment is required by a screw key, and are secured when adjusted in each case by a set screw. The eccentrics are marked a^2 , b^2 , c^2 , f^2 , and h^2 respectively, and their set screws, a^3 , b^3 , c^3 , f^3 , and h^3 respectively. Three sets of numerical discs carried by drums l are shown, but one, two, or more may be used. The axis upon which the numerical discs rotate are placed parallel but eccentric to the axis by which they are carried round for printing. Fig. 13 is an end view, fig. 14 a longitudinal section, and fig. 15 a cross section, showing the arrangement of one set of numerical discs. The discs g^5 are placed on an axis in the cavity of a drum, l , so that the line of figures to be printed will come in a line with the periphery of the drum l . The drum l has a shaft, l^1 , which fits a hollow shaft, l^2 , that has the driving wheel l^3 upon one end, and the drum l and wheel l^3 are secured together by a screw, l^4 , at the end of the shaft l^1 , which screws against a washer l^5 at the end of the hollow shaft l^2 . By means of the screw l^4 a cone formed upon the drum l is drawn tightly into a cone cavity formed into the wheel l^3 . By this arrangement the drum l can be readily turned round to adjust it exactly as required without un gearing the wheel l^3 . This arrangement for adjustment is also used for the two subject matter cylinders a and f and for the perforating drum e , except that the hollow shaft in that case does not pass through the bearings. The ratchet-wheel g^* for each set of numerical discs is actuated by a pawl m jointed upon a frame, n , secured to the frame-plate A. One half of the end of the pawl m is shaped like an ordinary pawl to enter ratchet teeth, the other half is rounded to rest against the outer edge of the drum l , which is shaped to act as a cam; a spring m^1 , secured to the frame n and acting upon a tail from the pawl keeps the round half of the end of the pawl against the cam surface, which is shaped to allow the ratchet half of the pawl to approach and take hold of and turn the ratchet one or more teeth as required and then to withdraw it from the ratchet. The periphery of the drum or partial drum l is either not cylindrical, or if a perfect circle is not concentric with the axis of rotation, but is either of smaller radius than the line in which the figures print or is of smaller radius and eccentric or of cam-like shape so that no part of the drum surface except the outside rings at the printing line will touch the impression drum b when rotating. It will be seen in fig. 11 that the third numerical drum is supposed to be printing, and is shown in contact with the impression drum b , but the first and second numerical drums do not touch the impression drum, as they are not supposed to be printing at the same time as the third numerical drum. The figures of the discs carried by the numerical drums l are supposed to be inked by a roller, h^1 , which rest upon the numerical drum l . The middle part of the roller h^1 receives the ink, which is distributed evenly by contact with the middle portion of the drum l , the entire circumference of the middle part of which acts as a distributing surface, except that segment which is cut away to make room for the numerical discs g^5 . There are grooves cut in the numerical drums l and the inking rollers h^1 , as shown in figs. 13 and 14, which grooves prevent the ink from accidentally spreading to the side on each side of the middle parts of the drums and rollers. The inking rollers h^1 are carried by resting upon the surface of the drum l , but where this is cut away the two end parts of the rollers rest upon the ring of the drum at each side of the numerical discs g^5 as shown, the surface of which is made slightly below the surface of the figures to be inked, so that the inking surface of the roller will come fully in contact with the figures when they pass the inking rollers. The inking rollers as shown rotate in slotted bearings in the frame n , and are supposed to be rotated by frictional contact with the drum l and its end rings, but to make the driving positive the rollers may be geared same as the inking rollers for the subject matter drum. The ink is conveyed to the numerical drums and rollers from a cistern, h^* , shown in fig. 11, but which is not shown in plan fig. 12. This cistern is fixed on the framing as shown, and the ink is conveyed from the roller h^1 by the roller h^2 to a roller h^3 which inks the figures and also inks the drum surface that gives it to the intermediate rollers h^3 placed between the drums, which rollers ink the figures of the drums l with which they are in contact, and transmit the ink from such drums l and to their rollers h^1 . The distributing surface of the drums l may be dispensed with, and the inking rollers may rotate in bearings or upon studs, and the ink may be conveyed to the inking rollers shown in fig. 11 by intermediate rollers or a separate inking cistern, and carrying rollers may be used for each numerical drum. With one numerical drum in use, consecutive numbers or consecutive series of numbers with numbers omitted, such as 1, 3, 5, and 7, or 1, 4, 7, 10, and so on, may be printed at each rotation upon each length of web equal to the circumference in which the surface of the printing line of figures rotate, and with two numerical drums l in use duplicate numbers may be printed, and with three numerical drums triplicate numbers and so on may be repeated within the length of web above mentioned. But in the same length of web above mentioned two, three, or more consecutive numbers

may

Improvements in Machinery for Printing.

may be printed, and in duplicate or triplicate according to the number of numerical drums employed, giving their impression upon any desired part of the lengthway of web being printed. As shown by figs. 11 and 12, the three numerical drums are supposed to be printing consecutive numbers, three numbers in a length of web equal to the circumference described by the face of the printing line of figures at each rotation of the drum l , which length may thus be formed into three separate tickets or documents, which may be made as small as desired by using a sufficient number of numerical drums, which need not be of small diameter. As shown in fig. 11, the third numerical drum (that furthest from the entering side of the web being printed) is supposed to be in the act of printing, and by the time this drum is advanced one-third of a revolution the second drum l will be in the act of printing, and by the time the second third of a revolution of the third drum has been completed the first will have printed, and on completion of the revolution of the third drum l it will print again. The third drum l prints 1, 4, 7, and so on, the second 2, 5, 8, and so on, and the first 3, 6, 9, and so on. The axis of each numerical drum l rotates in a bearing formed in an eccentric, l^s , as described in reference to the drums a and f ; by partly rotating this eccentric bearing the figures may be made to press more or less upon the web passing over the impression drum b , or the numerical drum l may when required be withdrawn clear of the impression drum b , which can also be withdrawn from all the numerical drums at the same time if required. Instead of rotating eccentric bearings sliding bearings with screw adjustment may be used if desired. The studs for the inking rollers for each subject matter cylinder and the ink cistern may all be secured to or upon or in a plate or bracket which may be secured so as to be adjustable to the frame-plate A by a bolt or bolts passing through a hole or slot in the frame-plate. The perforating drum e is formed with a hollow centre and with radiating slots for thin pieces e^2 of steel (one in each slot) with the outer ends formed into teeth and their inner ends to come against a cam stud, e^1 , and with projections at each side to come into cam grooves, the groove is formed on one side in a collar, e^* , upon the stud e^1 , and for the other side into a groove formed between the stud e^1 and a disc, e^s , with a projecting boss secured upon a square upon the end of the stud e^1 by a screw, e^7 , as shown. The stud passes through the eccentric bearing e^s , and is secured to it by a screw nut, e^4 , and thus remains stationary while the drum e rotates round the stud e^1 , and the cam or eccentric shaped body of the stud pushes the end of the slides outward when the perforates are coming towards the drum d , against which they act, and the cam grooves draw the perforates inwards. The disc e^s keeps the perforates e^2 in their places in the drum e . q are the fast and loose driving pulleys for driving the machine by a belt; b^6 is a pulley upon the shaft b^1 for driving by a band, k^7 , the pulley, k^8 , secured on the winding up drum shaft k^1 , by turning the eccentric bearing k^8 of which the tightness of the band k^7 may be regulated. The web to be printed passes from the drum i , under the guide roller j , between the subject matter drum a , the numerical drums l , and the impression drum b , under the impression drum c , and between it and the second subject matter drum f , over the drum d , and between it and the perforating drum e , and on to the winding up drum k .

I have now particularly described the nature of my invention, and the mode of carrying the same into effect, and claim as my invention:—

Firstly. The arranging of two or more sets of numerical discs or rings upon a face-plate or wheel, or upon an axis with the axis of the numerical discs or rings parallel to the axis of the face-plate or wheel upon which they are carried, substantially as hereinbefore described and illustrated by the figures upon sheet one of the drawings.

Secondly. The arrangement of the bearings of the shafts for the face-plate or wheel carrying the sets of numbering discs and the subject matter drums in slides to be adjusted by screws in the combination and arrangement of numbering and subject matter printing mechanism, substantially as hereinbefore described and illustrated by the figures 1, 2, and 3, of the drawings.

Thirdly. The combination and arrangement of the mechanism for printing subject matter, numbering and perforating webs or rolls of paper, or other material, as described and illustrated by the figures upon sheet 1 of the drawings.

Fourthly. The novel arrangement of the figures on the sets of numbering discs and the novel arrangements for giving movement from the units to the tens discs for numbering consecutively in duplicate, triplicate, and so on, when such sets of discs are carried by a rotating face-plate drum or a rotating wheel with their axis either parallel to or at right-angles to the axis of the rotating face-plate drum or wheel, substantially as described under the second head of my invention.

Fifthly. The arranging of one set of numerical discs or rings, or the arranging and combining of two or more sets of numerical discs or rings, each carried round upon an axis separately; the axis upon which the sets of discs rotate in each case being parallel to the axis upon which they are carried round but eccentric thereto, substantially as hereinbefore described under the third head of my invention, and illustrated by the figures on sheet 2 of the drawings.

Sixthly. The arranging and combining of the numerical discs with the drum and the inking arrangements, and the arrangements for adjusting and securing the drums to the wheels, substantially as hereinbefore described and as illustrated by the drawings.

Seventhly. The arrangement of the drums a , b , e , f , and k , in eccentric bearings, to allow of adjustment, substantially as hereinbefore described, and illustrated by the drawings.

Eighthly. The mode of giving motion to the ratchets of the numerical discs by pawls, actuated by a cam surface, substantially as hereinbefore described and illustrated by the figures upon sheet 2 of the drawings.

Ninthly. The construction of a perforating drum with a double-acting cam to both push out and withdraw the perforators, substantially as hereinbefore described and illustrated by the drawings.

Tenthly. The combination and arrangement of mechanism for printing subject matter and numbers, and perforating, as described under the third part of my invention, and as illustrated by the figures on sheet 2 of the drawings.

Eleventhly. The novel mode of engraving or forming the figures upon the numerical discs in the order and the actuation of the tens disc by the units disc for consecutive duplicate printing and so on, as described under the third head of my invention.

Twelfthly.

Improvements in Machinery for Printing.

Twelfthly. The combination of two or more sets of discs, side by side, with their axis in the same line or parallel to each other, and also parallel to the axis by which they are carried round to print, each set of discs rotating in a different plane for duplicate, triplicate, or other numbering, substantially as hereinbefore described.

In witness whereof, I, the said Elijah Beech, have hereunto set my hand, this twenty-sixth day of October, 1875.

Witnesses—

PETER J. LIVSEY.
T. H. WILLIAMSON.

ELIJAH BEECH.

This is the specification referred to in the annexed Letters of Registration granted to Elijah Beech, this seventh day of March, 1876.

HERCULES ROBINSON.

REPORT.

Sir,

We do ourselves the honor to return to you the documents transmitted to us under your B.C. communication of the 4th instant, No. 76/862, which have reference to Elijah Beech's application for Letters of Registration for an invention of "Improvements in Machinery for Printing"; and we have to report that we see no objection to the issue of the Letters of Registration asked for in terms of Mr. Beech's specification, drawings, and claim.

Sydney, 16 February, 1876.

We have, &c.,

GOTHER K. MANN.
THOS. RICHARDS.

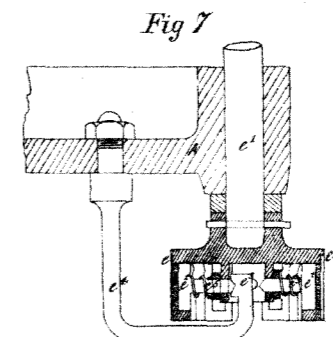
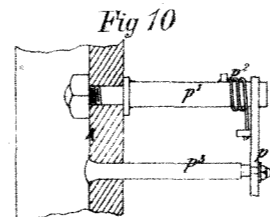
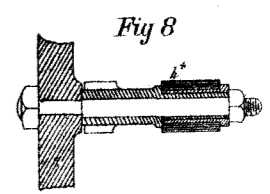
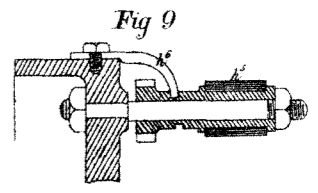
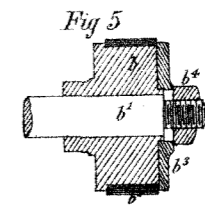
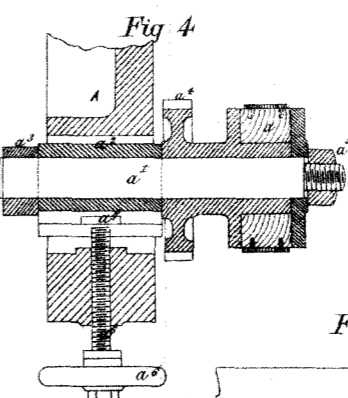
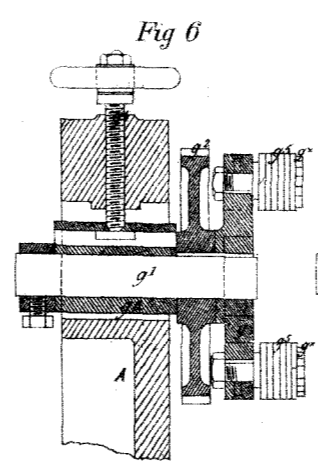
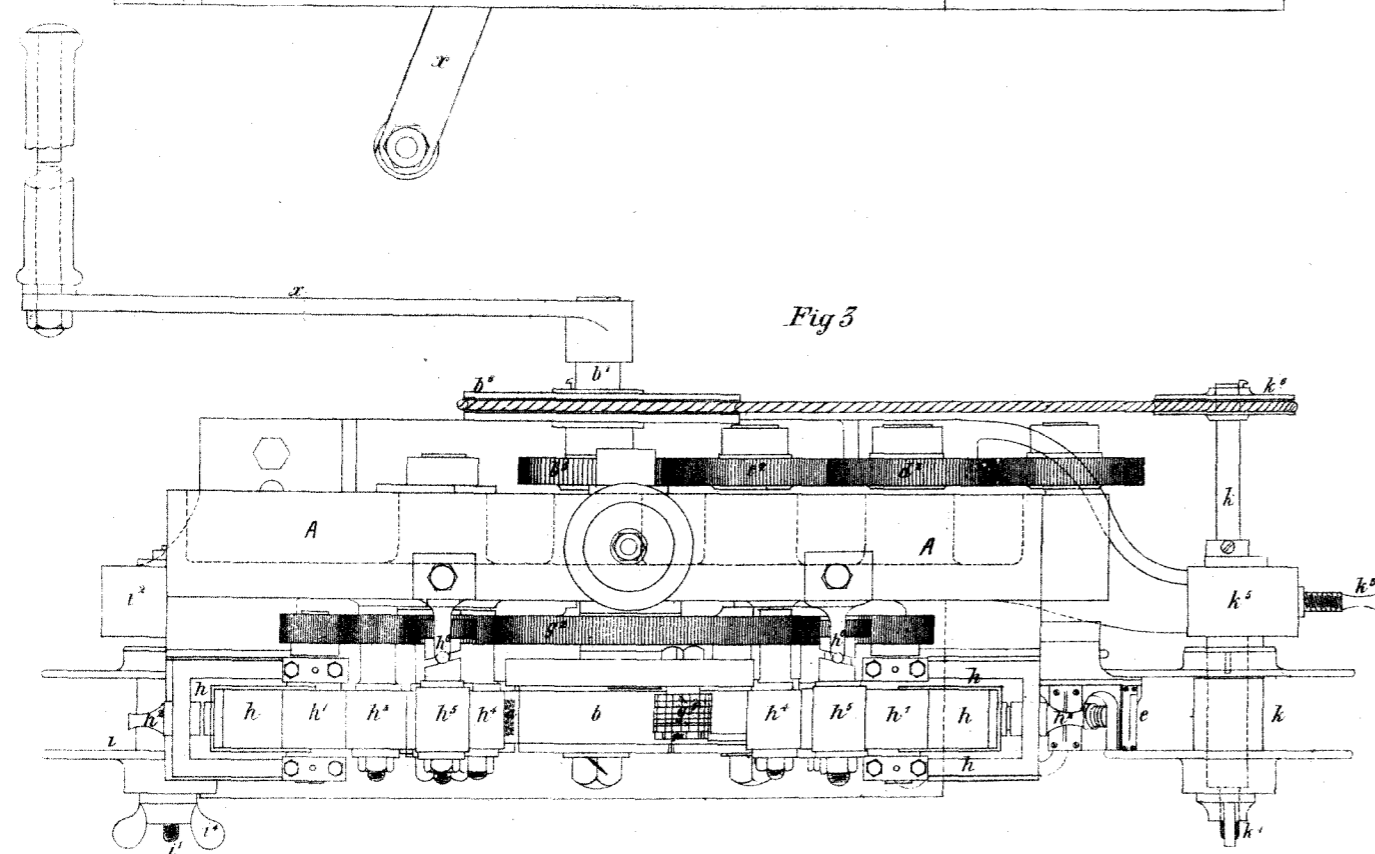
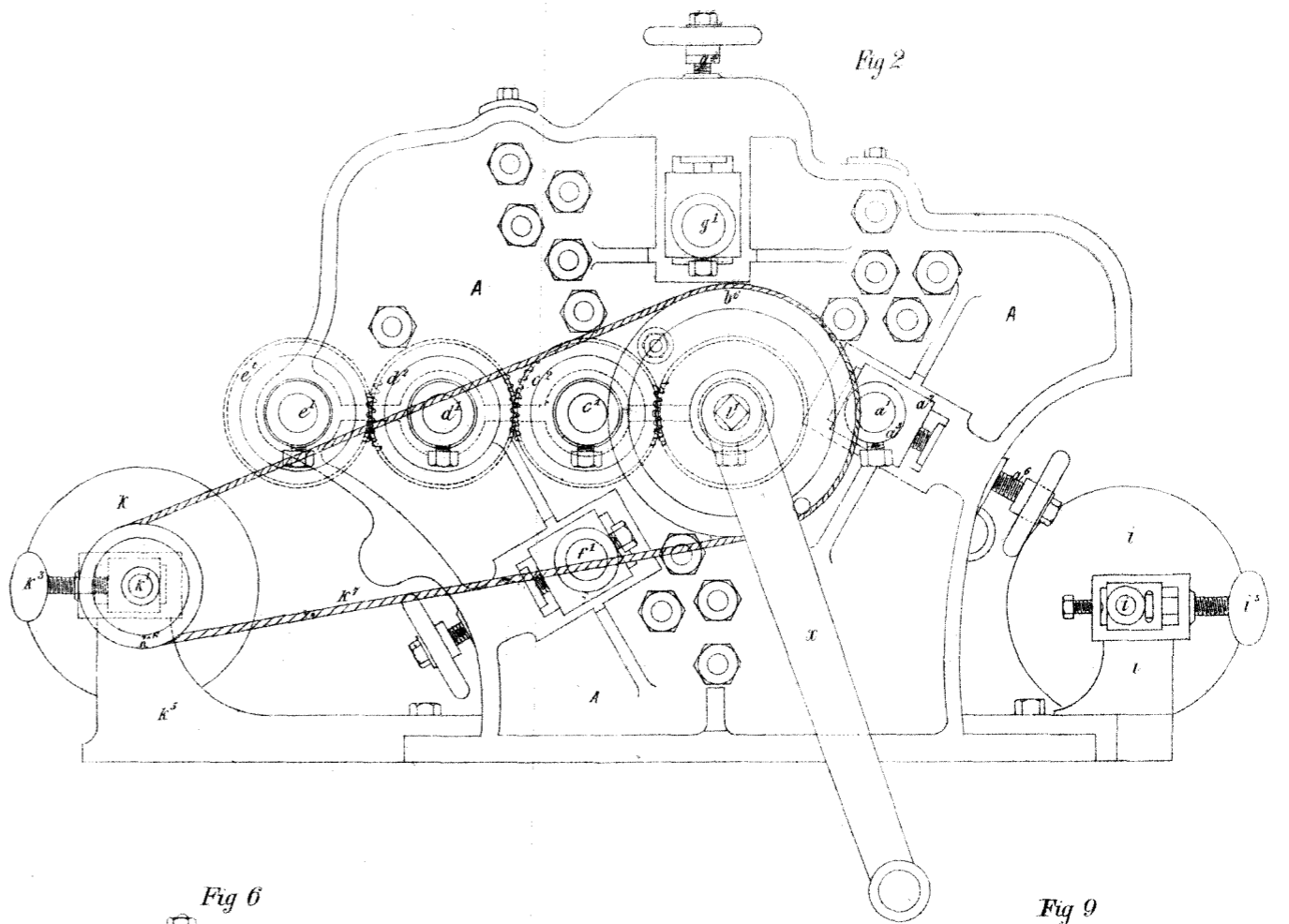
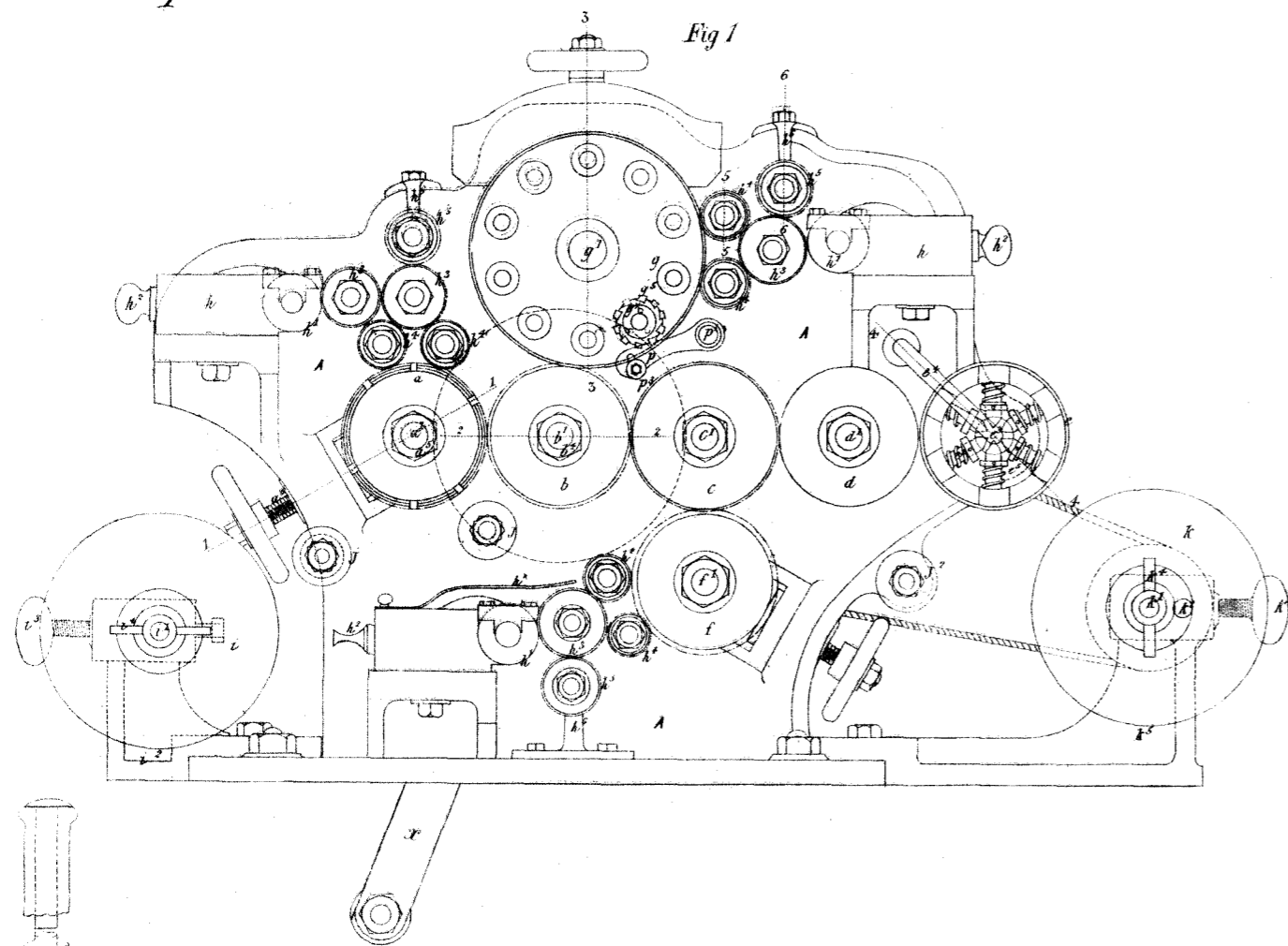
THE PRINCIPAL UNDER SECRETARY.

[Drawings—two sheets.]

Beech's Specification

A

(2 Sheets)
Sheet 1



Elijah Beech
Witnesses
Peter J. Lindsey
J. H. Williamson

This is the Sheet of Drawings marked A, referred to in the annexed Letter of
Registration of Invention to Elijah Beech this seventh day of March 1876
Hercules Robinson

[45]



A.D. 1876, 16th March. No. 514.

IMPROVEMENTS IN RECEPTACLES FOR FÆCES OR EXCREMENT.

LETTERS OF REGISTRATION to Hugh Bell, for Improvements in receptacles for fæces or excrement, including earth-closets, in appliances for getting rid of the urine or liquids.

[Registered on the 17th day of March, 1876, in pursuance of the Act 16 Vic. No. 24.]

BY HIS EXCELLENCY SIR HERCULES GEORGE ROBERT ROBINSON, Knight Grand Cross of the Most Distinguished Order of Saint Michael and Saint George, Governor and Commander-in-Chief of the Colony of New South Wales and its Dependencies, and Vice-Admiral of the same.

TO ALL TO WHOM THESE PRESENTS SHALL COME, greeting:

WHEREAS HUGH BELL, of Brisbane, in the Colony of Queensland, medical practitioner, hath by his Petition humbly represented to me that he is the author or designer of a certain invention or improvement in manufactures, that is to say, of an invention for "Improvements in receptacles for fæces or excrement, including earth-closets, in appliances for getting rid of the urine or liquids," which is more particularly described in the specification which is hereunto annexed; and that he, the said Petitioner, hath deposited with the Honorable the Treasurer of the said Colony of New South Wales the sum of Twenty Pounds sterling, for defraying the expense of granting these Letters of Registration, as required by the Act of Council, sixteenth Victoria, number twenty-four; and hath humbly prayed that I would be pleased to grant Letters of Registration, whereby the exclusive enjoyment and advantage of the said invention or improvement might be secured to him for a period of fourteen years: And I, being willing to give encouragement to all inventions and improvements in the arts or manufactures which may be for the public good, and having received a report favourable to the prayer of the said Petition from competent persons appointed by me to examine and consider the matters stated therein, and to report thereon for my information, am pleased, with the advice of the Executive Council, and in exercise of the power and authority given to me by the said Act of Council, to grant, and do by these Letters of Registration grant unto the said Hugh Bell, his executors, administrators, and assigns, the exclusive enjoyment and advantage of the said invention or improvement, for and during the term of fourteen years from the date hereof: to have, hold, and exercise unto the said Hugh Bell, his executors, administrators, and assigns, the exclusive enjoyment and advantage thereof, for and during the term of fourteen years from the date of these presents next and immediately ensuing, and fully to be complete and ended: Provided always, that if the said Hugh Bell shall not, within three days after the granting of these Letters of Registration, register the same in the proper office in the Supreme Court of the said Colony of New South Wales, then these Letters of Registration, and all advantages whatsoever hereby granted, shall cease and become void.

In witness whereof, I have hereunto set my sign manual, and have caused the present Letters of Registration to be sealed with the seal of the said Colony of New South Wales, at Government House, Sydney, in New South Wales, this sixteenth day of March, in the year of our Lord one thousand eight hundred and seventy-six.

(L.S.)

HERCULES ROBINSON.

Improvements in receptacles for fæces or excrement.

SPECIFICATION.

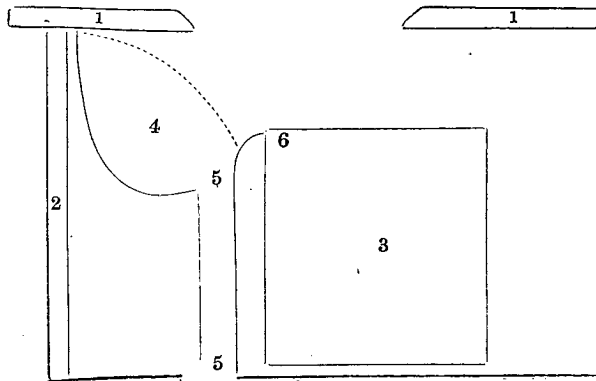
THE following arrangements or inventions of HUGH BELL, of Brisbane, for improvements in receptacles for fæces or excrement, including earth-closets, in appliances for getting rid of the urine or liquids :—

- (1a.) The application of the urinal (receptacle for urine) of whatsoever material, with or without a tube, with or without a strainer, fixed or not, inside or outside, in the front of any receptacle for fæces or excrement, one form and arrangement of receptacle for fæces being commonly called an "earth-closet," so that on a person sitting over or on an ordinary seat with the appliance described and voiding urine or fæces, one or the other or both, all or most of the urine will pass into the urinal, and all or most of the fæces or excrement will drop into the receptacle or earth-pot.
- (2b.) The application and using of perforated material or materials of earthenware, china, parian marble, glass, metal, wood, or other material, or sieves of any form, viz., diaphragms, plates, tubes, &c., in receptacles of whatsoever material, including "earth-closets," for the purpose of separating and of conducting away the urine or other liquid from the more or less solid excrement or fæcal parts, and running the urine or liquid off through an opening or openings in the receptacles fitted with cock, plug, or tube and tap, &c. The urine to be dealt with by deodorizing and utilizing it, or to be forwarded to a receptacle or into a drain. These receptacles for fæcula or excrement may be of any size from 5 to 50 gallons, more or less. The small ones may be fitted with pail-handles, the larger ones with box handles on the sides or ends, and both kinds or all should be fitted with covers or lids.

A.

Section of elevation of general arrangement under closet seat :—

1. Ordinary closet-seat with its opening.
2. Front panel of closet-seat.
3. Receptacle or pot for fæces or excrement.
4. Urinal.
5. The tube for exit of urine.
6. Catch for attachment of urinal.

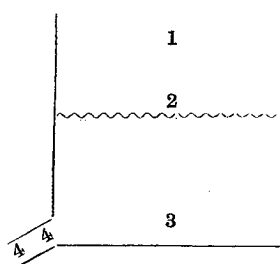


B.

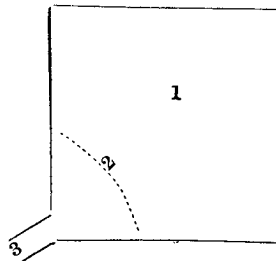
Instances of some of the modes of application :—

Section of elevation.

1. The bottom part of receptacle.
2. Diaphragm or plate perforated, or a sieve.
3. Space for urine to drain into and from.
4. Outlet.

*Vertical view of a square receptacle.*

1. Receptacle for excrement or fæces, and may be for urine.
2. Diaphragm or plate perforated, or a sieve, placed in corner of receptacle the whole length or depth of the receptacle. This perforated diaphragm or perforated plate may be applied anywhere.
3. Outlet of tube.

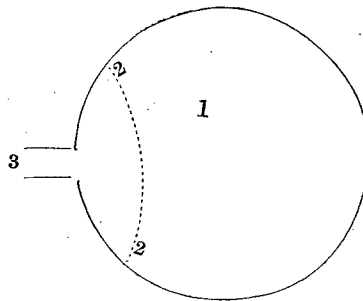


Vertical

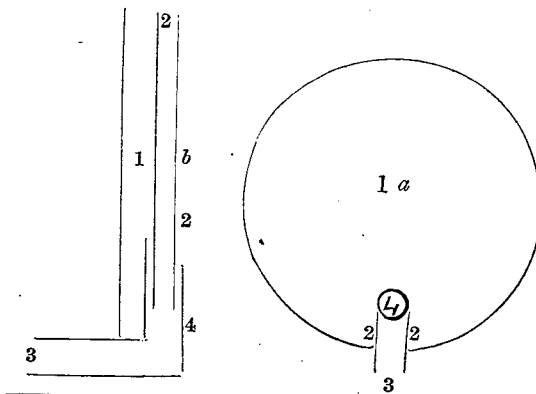
Improvements in receptacles for faeces or excrement.

Vertical views of round pots.

1. Receptacle.
2. Perforated plate or sieve or diaphragm.
3. Outlet.

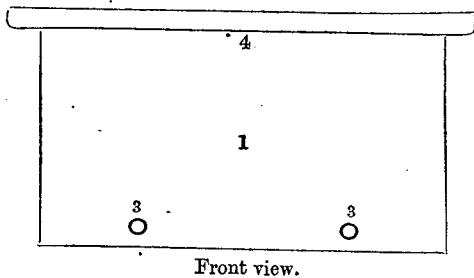


- (1a.) Inside view of bottom of pot.
- (1b.) Section of elevation of receptacle part only.
2. Showing the perforated tube of any material, viz., glass, earthenware, china, wood, metal, &c.
3. Outlet.
4. Socket for tube to fit in or on.

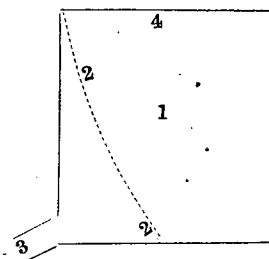


Large receptacle adapted for large establishments or where the water-closet system is in part used so as to receive both liquids and solids suddenly in any quantity.

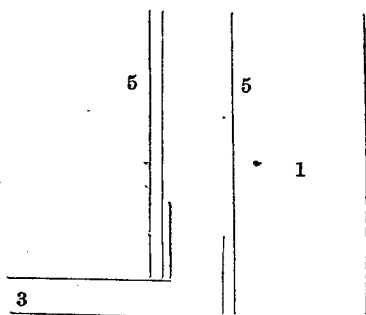
1. Receptacle of any material.
2. Sieve or perforated diaphragm or plate.
3. Outlet or outlets.
4. Cover or lid.
5. Showing a tube or cylinder, of which there may be two or more, in place of perforated diaphragm 2.



Front view.



Elevation.
Side view of section.



Elevation. Side view of section, showing application of perforated tube or cylinder.

HUGH BELL, F.R.C.S., England.

This is the specification referred to in the annexed Letters of Registration granted to Hugh Bell, this sixteenth day of March, 1876.

HERCULES ROBINSON.

REPORT,

Improvements in receptacles for fæces or excrement.

REPORT.

SIR,

We do ourselves the honor to return to you the documents transmitted for our report under your B.C. communication of the 28th January last, No. 76/382, which have reference to the Petition of Hugh Bell, praying for a grant of Letters of Registration for his invention of "Improvements in receptacles for fæces or excrement, including earth-closets, in appliances for getting rid of the urine or liquids"; and we have to state that we see no objection to the issue of Letters of Registration securing to Mr. Bell his invention in terms of his Petition, specification, and drawings.

Sydney, 19 February, 1876.

We have, &c.,
JAMES BARNET.
FRANCIS BELL.

THE PRINCIPAL UNDER SECRETARY.

[49]



A.D. 1876, 21 *March*. No. 515.

**IMPROVEMENTS IN THE METHOD OF WORKING THE SLIDES OF STEAM
OR WATER PRESSURE ENGINES, &c.**

LETTERS OF REGISTRATION to Henry Davey, for Improvements in the method of working the slides of steam or water pressure engines and apparatus for that purpose.

[Registered on the 22nd day of March, 1876, in pursuance of the Act 16 Vic. No. 24.]

BY HIS EXCELLENCY SIR HERCULES ROBINSON, Knight Grand Cross of the Most Distinguished Order of Saint Michael and Saint George, Governor and Commander-in-Chief of the Colony of New South Wales and its Dependencies, and Vice-Admiral of the same.

TO ALL TO WHOM THESE PRESENTS SHALL COME, greeting :

WHEREAS HENRY DAVEY, of Leeds, in the County of York, England, engineer, hath by his Petition humbly represented to me that he is the author or designer of a certain invention or improvement in manufactures, that is to say, of an invention for "Improvements in the method of working the slides of steam or water pressure engines and apparatus for that purpose," which is more particularly described in the specification, marked A, and the three sheets of drawings, marked B, C, and D respectively, which are hereunto annexed; and that he, the said Petitioner, hath deposited with the Honorable the Treasurer of the said Colony of New South Wales the sum of Twenty Pounds sterling, for defraying the expense of granting these Letters of Registration, as required by the Act of Council, sixteenth Victoria, number twenty-four; and hath humbly prayed that I would be pleased to grant Letters of Registration, whereby the exclusive enjoyment and advantage of the said invention or improvement might be secured to him for a period of fourteen years: And I, being willing to give encouragement to all inventions and improvements in the arts or manufactures which may be for the public good, and having received a report favourable to the prayer of the said Petition from competent persons appointed by me to examine and consider the matters stated therein, and to report thereon for my information, am pleased, with the advice of the Executive Council, and in exercise of the power and authority given to me by the said Act of Council, to grant, and do by these Letters of Registration grant unto the said Henry Davey, his executors, administrators, and assigns, the exclusive enjoyment and advantage of the said invention or improvement, for and during the term of fourteen years from the date hereof: to have, hold, and exercise unto the said Henry Davey, his executors, administrators, and assigns, the exclusive enjoyment and advantage thereof, for and during and unto the full end and term of fourteen years from the date of these presents next and immediately ensuing, and fully to be complete and ended: Provided always, that if the said Henry Davey shall not, within three days after the granting of these Letters of Registration, register the same in the proper office in the Supreme Court, at Sydney, in the said Colony of New South Wales, then these Letters of Registration, and all advantages whatsoever hereby granted, shall cease and become void.

In witness whereof, I have hereunto set my sign manual, and have caused the present Letters of Registration to be sealed with the seal of the said Colony of New South Wales, at Government House, Sydney, in New South Wales, this twenty-first day of March, in the year of our Lord one thousand eight hundred and seventy-six.

(L.S.)

HERCULES ROBINSON.

Improvements in the method of working the

A.

SPECIFICATION.

TO ALL WHOM IT MAY CONCERN: BE it known that I, HENRY DAVEY, of Leeds, in the County of York, England, engineer, do hereby declare the nature of the said invention for "Improvements in the method of working the slides of steam or water pressure engines and apparatus for that purpose," and in what manner the same is to be performed, to be particularly described and ascertained in and by the following statement thereof, reference being had to the accompanying sheets of drawings, and to the figures and letters marked thereon, that is to say:—

THIS invention relates to a method of working the slides or valves of steam or water pressure engines by means of apparatus acting without the use of eccentrics, cams, or other rotating parts, the movement of the main piston being employed to move the main slide through a part of its stroke and also to move the slide of a subsidiary cylinder, and the rest of the stroke of the main slide being effected by the movement of the piston of the said subsidiary cylinder. The speed with which the strokes of the main slide is completed or effected is governed by a "cataract," that is the resistance of a liquid in a cylinder to a piston moving therein. This mode of working the slide, although peculiarly applicable to direct acting engines such as those which are employed to work pumps without connecting rods, cranks, or flywheels, is applicable also to engines working rotating shafts, and either to simple or compound engines and either in combination with or without expansion valves or slides.

In order that my improvements may be the better understood I will refer to the accompanying three sheets of drawings and to the figures and letters marked thereon. These drawings represent several modified forms in which my invention may be carried into practical effect, the same letters being employed in the several figures to indicate corresponding parts of the apparatus. Fig. 1, sheet I, of the accompanying drawings, represents a longitudinal section, and figure 2, sheet I, represents a transverse section of a steam engine cylinder and slide with means of working the latter according to my invention. G is the main cylinder of the engine with its piston F and piston rod F', of usual construction. On the piston rod F' is fixed a head D, having on each side a vertical slot in which works a slide carrying a pin D' to which is jointed a forked lever E. This lever works on a pin E' as a fulcrum, and its shorter end E'' is connected to a slide rod A'', which works two slides A and B, facing opposite ways within a jacket A', supplied with steam by the inlet A''. The fulcrum E' of the lever E is a crosshead connecting two levers H which work upon pins H' on the framing of the engine on each side of the piston F'. The upper parts of the levers H are connected by a crosshead H'' to the rod of a piston C working in a subsidiary cylinder C', and by a crosshead H''' to the roof of a piston M, working in a cataract cylinder M' charged with water or other liquid, and having a communicating passage M'' from the one end of the cylinder to the other, which passage can be more or less closed by stop-cocks or valves M'''. The slide A is of the ordinary D kind, governing the ports to either end of the cylinder G and the eduction passage B''. The slide B is of similar description, governing the ports of the subsidiary cylinder C', and its eduction passage B', which communicates with the main eduction B'. In figure 1 the slides A and B are shown in their middle position and the main piston F approaching the extreme of its instroke, and the operation of the mechanism in this condition is as follows:—A farther movement of the piston F and of the head D attached to its rod by drawing in the end D' of the lever E causes the opposite end E'' to move a little outwards and thereby moves the slide B towards the right so as to open its back or left hand port. Steam from the jacket A' then enters the subsidiary cylinder C' behind its piston C and forces it forwards so as to cause the lever H to move towards the right; by this movement the fulcrum E' of the lever E is moved to the right, and its lower end D' being then almost stationary, its upper end E'' is moved forwards drawing the rod A'' and the slide A so as to admit steam behind the main piston F. This piston then makes its forward stroke carrying with it the end D' of the lever E, and thereby gradually moving back the slides A and B. As the piston approaches the extreme of its forward stroke, the slide B being again about the middle of its stroke is moved a little farther back, so as to admit steam in front of the piston C, whereby the slide A is moved back so as to admit steam in front of the piston F, causing it to make its back stroke. The rapidity with which the piston C is moved forwards or backwards is controlled by the resistance of the liquid in the cataract cylinder M' to the motion of the piston M, and thus the slide A can be made to open the port to either end of the main cylinder more or less rapidly according as the passage M'' by which the liquid can flow from the one end of this cataract cylinder M' to the other end thereof is of greater or less area, as determined by the adjustment of the cocks or valves M''' in its course. By this means a pause of greater or less duration is made to take place between the consecutive strokes of the main piston. The cylinder M', instead of being truly bored, may be made of somewhat larger diameter at the ends or at the middle, so that while the piston M is travelling along the enlarged part a portion of the liquid may leak past it and the resistance to its movements may be thus diminished in those parts of its strokes, the movement of the slide A being thereby varied while it is in the act of opening one of the ports of the main cylinder.

The figures on sheets II and III, and figure 9, sheet I, represent a modified form of the apparatus adopted to work the slides of a compound pumping engine having a high pressure and a low pressure cylinder with means of effecting a pause at the termination of each stroke of the engine, and of working a double beat expansion valve for the high pressure cylinder. In those sheets figure 3 represents a side view and figure 4 a plan of the two cylinders with adjacent parts. Figure 5 is a longitudinal section through the upper parts and slides of the two cylinders. Figure 6 is a plan of the slide levers and their connections; the subsidiary cylinder and its slide and the cataract cylinder being shown in sectional plan. Figure 7 is a transverse section through the low pressure slide and cataract cylinder, and figure 8 is a transverse section through the high pressure slide and subsidiary cylinder, and figure 9 is a part vertical section on the line ++, figure 4. The figures 5 to 9 inclusive are drawn to an enlarged scale. The piston rod P of the front or high pressure cylinder G and the two piston rods P' of the hinder or low pressure cylinder G' are secured to one crosshead O connected by connecting rods O'' to the levers for working the pump rods. An arm O' projecting down from the crosshead O is connected by a rod N''' to a long arm N'' of a rocking shaft N mounted in bearings on the framing of the engine. A short arm N' on this rocking shaft

slides of steam or water pressure engines, &c.

shaft is connected by a rod L to the end E' of a pair of horizontal levers E, which have their common fulcrum at E'' on a rod C'' connecting the piston C of the subsidiary cylinder C' with the piston M of the cataract cylinder M'. At E'', about the middle of the levers E, they are jointed to the rod A''', which connects the steam slides A and K of the two cylinders G and G'. A pin E^{iv} secured in the levers E is connected by a link H^{iv} to the end H'' of a lever H having its fulcrum at H'', which may be a fixed point, but which, as shown in the drawing, is capable of being moved by means of a worm as will hereafter be described. This fulcrum may however be considered as being stationary during the ordinary working of the engine. The lever H is connected at H' to the rod B'' of the slide B, commanding the ports of the subsidiary cylinder C'. It will be seen that the connections from the crosshead O to the lever E are such that the end E' of the latter is made to move in time with the former and with the main pistons, but always in the opposite direction and through a considerably shorter stroke. As the pistons make their outstroke or towards the left the lever E is caused to oscillate towards the right hand. The secondary lever H is thus caused also to oscillate towards the right, drawing the slide B in the same direction so as to uncover the left hand port of admission to the subsidiary cylinder C'. Steam then enters this cylinder from the jacket A' and pressing on the piston C propels it towards the right with a speed which is controlled by the resistance offered to the piston M by the liquid in the cataract cylinder M'. This resistance is regulated by adjusting a screw plug M'' so as to interrupt more or less the passage M' from the one end of the cylinder M' to the other. The movement of the piston C carrying the end E'' of the lever E towards the right causes the middle E'' of that lever also to move towards the right, and thus the slides A and K are moved so as to admit steam to the left hand ends of the main cylinders G and G'. The pistons of those cylinders being now propelled backwards, the lever E is caused to oscillate towards the left, moving the slide B in that direction, whereby the piston C is caused to make its back stroke, shifting the points E'' and E' towards the left, and moving back the slides A and K. In order to work the high pressure cylinder G expansively a double beat valve I in the steam supply of the jacket A' is worked in accord with the movement of the slide in the following manner:—The slide rod A'' prolonged through a stuffing box beyond the front of a slide jacket works a lever R having two arms R' and R'' which have pins working in slots P' of two oblique rods P. These rods are jointed to one arm of a lever Q the other arm of which is jointed to the rod of the valve I. When the slide A is moved as above described either to the right or to the left the pin of R' or of R'' being brought to bear on the lower end of the slot P' in which it is engaged draws down the rods P, and thereby causes the valve I to be raised for the admission of steam to the jacket A'. When, however, by the retreat of the slide A effected by the backward movement of the lever E during the stroke of the main pistons the pin of R' or of R'' is made to rise, the valve I closes and cuts off the steam supply. The length of the rods P can be adjusted by screw handles P'' so as to regulate the lift of the valve I. An eccentric lever Q' mounted on the valve rod can be turned up by hand so as to render the stroke of the lever Q ineffective for raising the valve I, and the valve in that case remaining closed, the engine is stopped. In the preceding description of the action of the levers E and H on the slides it was assumed that the fulcrum H'' remained stationary. That action may however be rendered more or less rapid, so as to give a shorter or longer pause at the end of each stroke, such as is found useful in pumping engines, by means of a contrivance which I will now describe for giving the fulcrum H'' a movement, and thereby causing the slide B to be moved at an earlier or later period of the strokes, and so producing an earlier or later movement of the main slides A and K. The rocking shaft N has an arm N''' connected by a rod U to one end of a lever V, the other end of which is connected to a lever working the slide of a small cylinder Z, similar in construction to the subsidiary cylinder C', and like it fitted with a piston the rod of which is connected to the rod of a piston in a cataract cylinder Y provided like the cataract cylinder M' with a screw plug for regulating resistance. The piston rod X of the cylinders Y and Z continued upwards carries a rack which gears with a pinion W fixed on a sleeve mounted on the round bar W' so that it can turn thereon, but is prevented from sliding longitudinally. On this sleeve is a screw or worm W'' embraced by a nut in which is fixed the pin H'' forming the fulcrum of the lever H. The shaft N being caused to rock by its connection with the crosshead O the lever V is also caused to oscillate and to move the slide of the cylinder Z, admitting steam alternately at the top and bottom thereof. The rod X being thus made to descend and ascend with a speed determined by the resistance in the cataract cylinder Y causes the sleeve and worm W'' to be partly turned in the one direction and in the other and so to move the nut and fulcrum H'' alternately to right and left, thus accelerating more or less the movement of the slide B and the consequent shift of the main slides A and K.

Although the description given above has been confined to means of working the valves of steam engines, it may be readily understood that similar arrangements are applicable for working the valves of engines worked by water pressure.

Having thus described the nature of my invention and the best means I know of carrying the same into practical effect, I claim:—

First. The method substantially as herein described of working the slide of a steam or water pressure engine by the differential movement of a lever, one end of which is worked from the main piston, and the other end from the piston of a subsidiary cylinder.

Second. For the purpose of working a slide in the manner referred to above, the combination consisting of the lever E connected at its one end to the main piston and at or near its middle to the main slide, and having its opposite end or fulcrum on a secondary lever H or on a rod C'', worked by the piston C of the subsidiary cylinder, the slide B of which subsidiary cylinder is worked by the movement of the lever E, substantially as herein described.

Third. The method of regulating the speed of movement of a slide worked in the manner referred to above by connecting the piston of the subsidiary cylinder to a piston in a cataract cylinder subject to the adjustable resistance of a liquid, substantially as herein described.

Fourth. The combination with the subject matter of the preceding claims of a second subsidiary cylinder Z and cataract cylinder Y, rack X, and sleeve and worm W'' for shifting the fulcrum of the secondary lever H so as to regulate the pause of the main piston at each stroke, substantially as herein described.

Fifth.

Improvements—slides of steam or water pressure engines, &c.

Fifth. The method substantially as herein described of working a double beat shut off valve I from the main slide rod A''.

In witness whereof, I, the said Henry Davey, have hereunto set my hand and seal, this second day of October, in the year of our Lord one thousand eight hundred and seventy-five.

HENRY DAVEY. (L.S.)

Witness—JOHN A. D. TELFORD.

This is the specification, marked A, referred to in the annexed Letters of Registration granted to Henry Davey, this twenty-first day of March, 1876.

HERCULES ROBINSON.

REPORT.

SIR,

Sydney, 28 February, 1876.

It appearing to us on examination of the documents transmitted for our report under your blank cover communication of the 12th instant, No. 76/860, that Mr. Henry Davey is the author or designer of "Improvements in the method of working the slides of steam or water pressure engines and apparatus for that purpose," we have the honor to recommend that Letters of Registration be issued in terms of Mr. Davey's petition, drawings, specification, and claim, securing to him the exclusive enjoyment of his invention for a term of fourteen years.

We have, &c.,

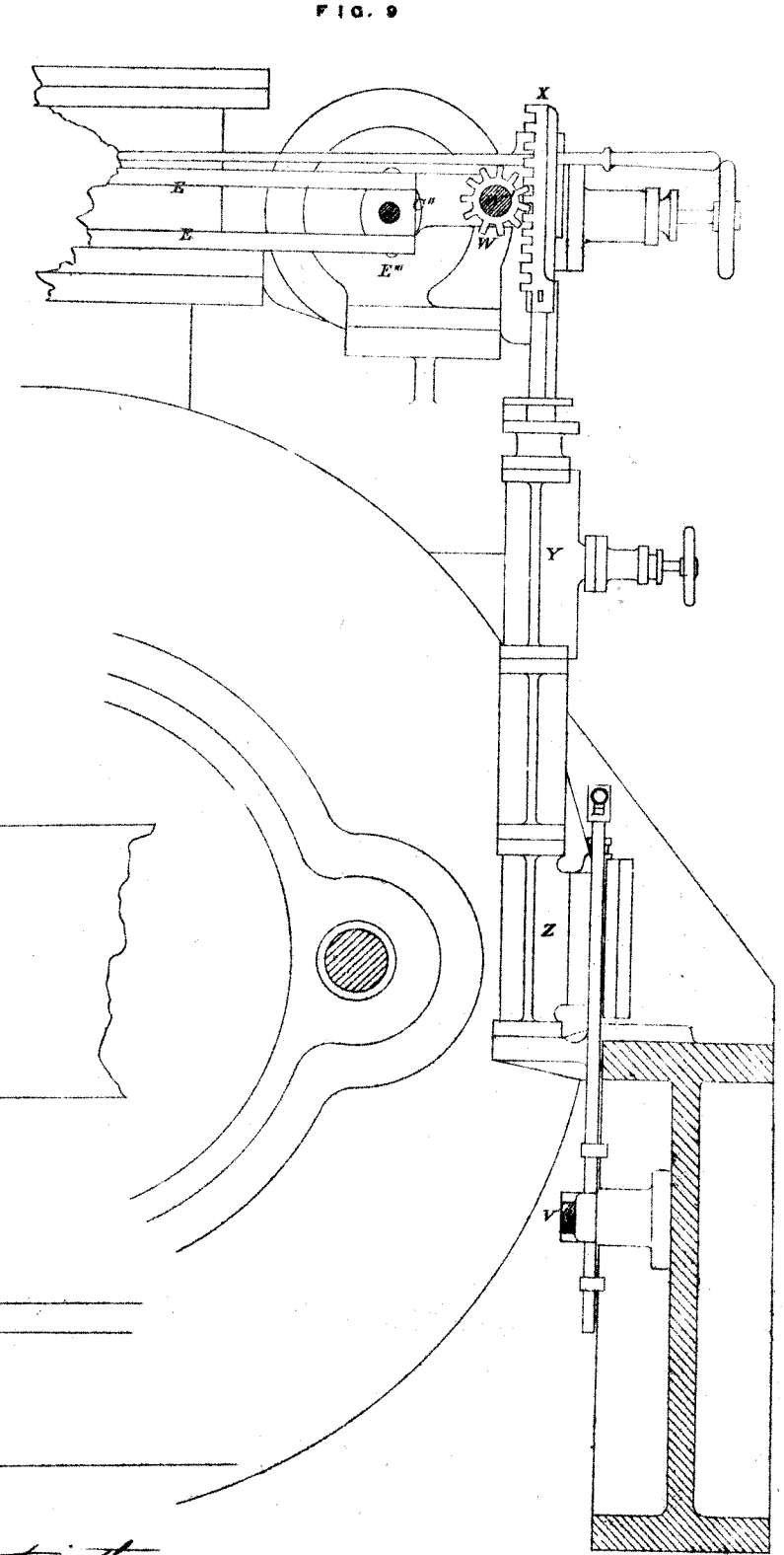
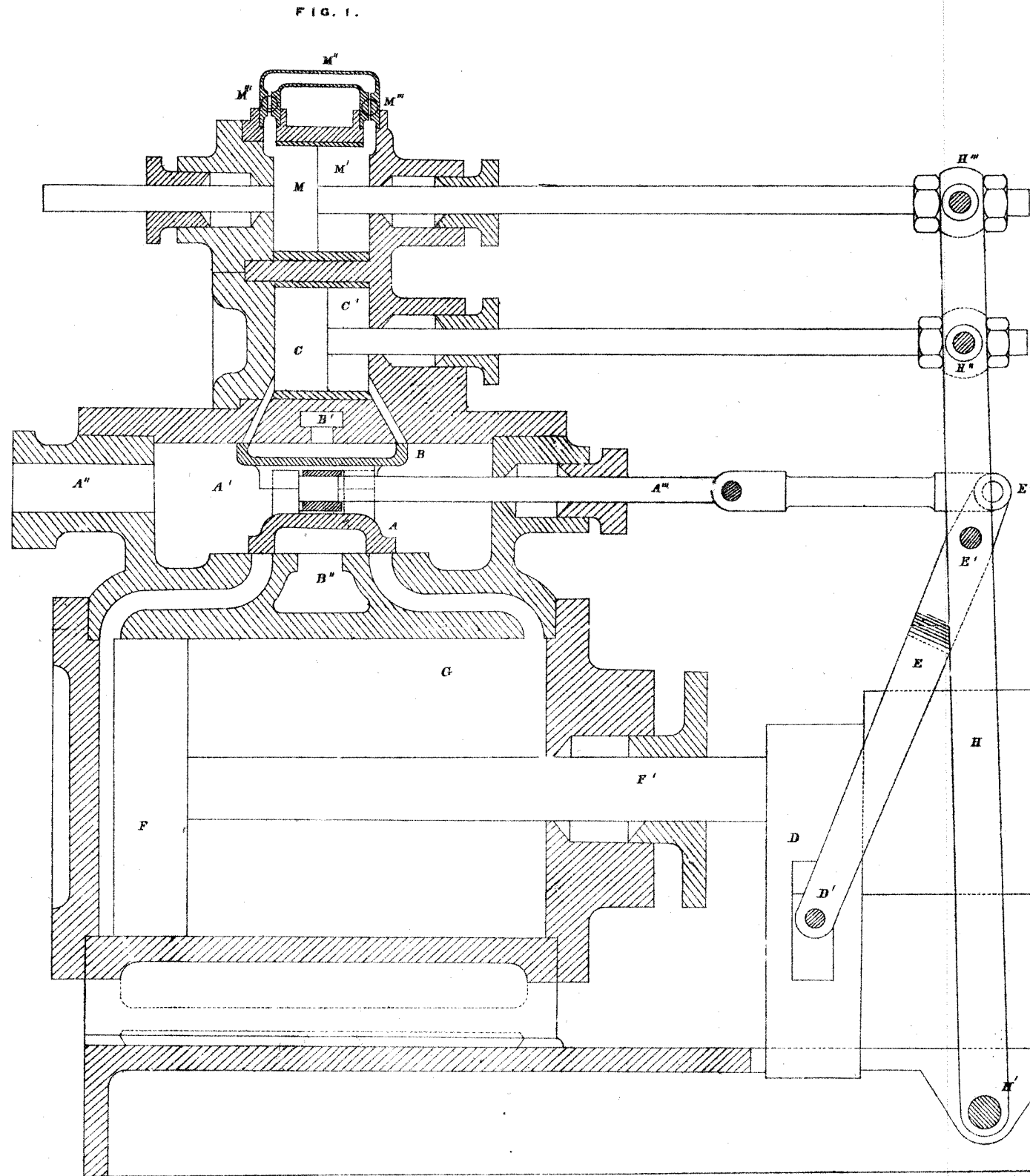
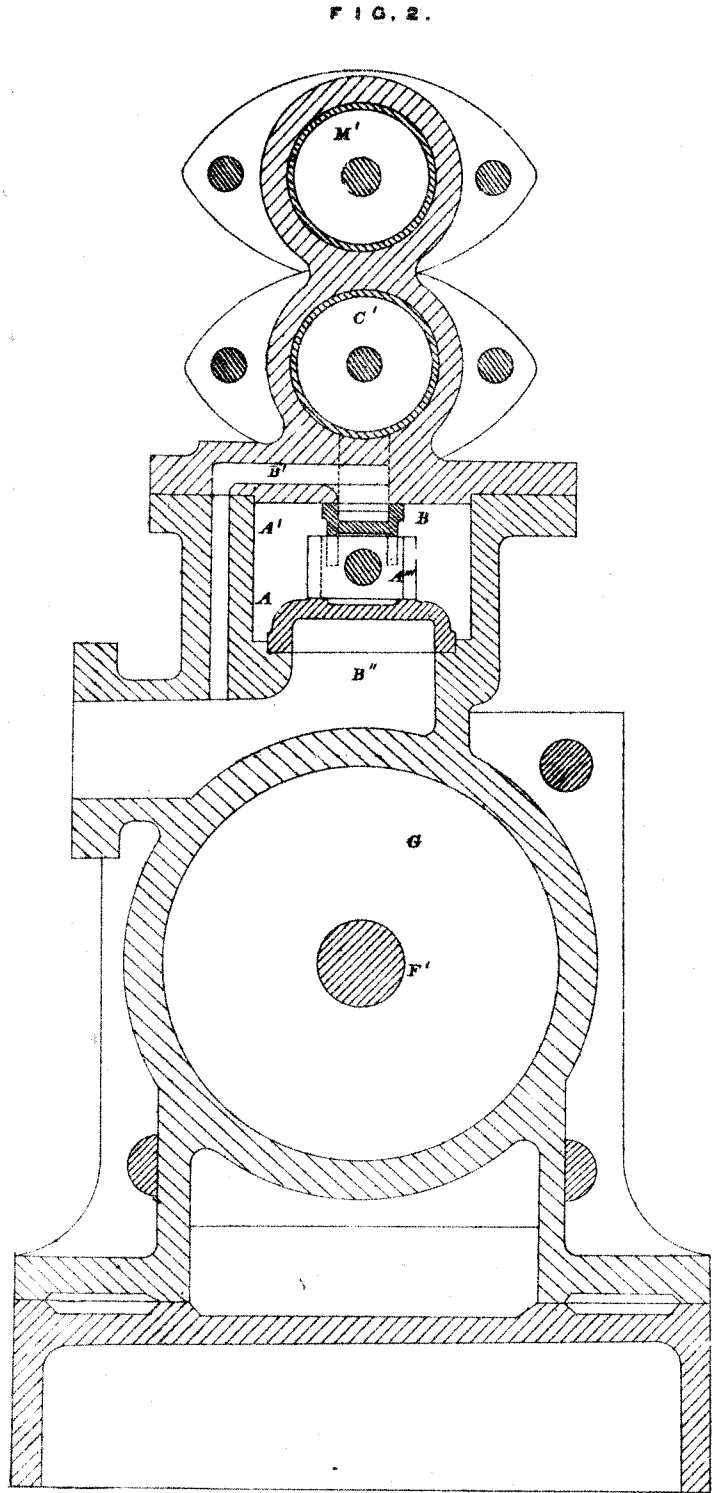
GOTHER K. MANN.
CHAS. WATT.

[Drawings—three sheets.]

No. 516.

[Assignment of No. 242A. See page 73 of Return of 21 June, 1872.]

B



This is the Sheet of Drawings marked B referred to in the annexed Letters of Patent granted to Henry Davy this twenty-first day of March 1876.
Nicholas Robinson

(225-)

copy
C

FIG. 3.

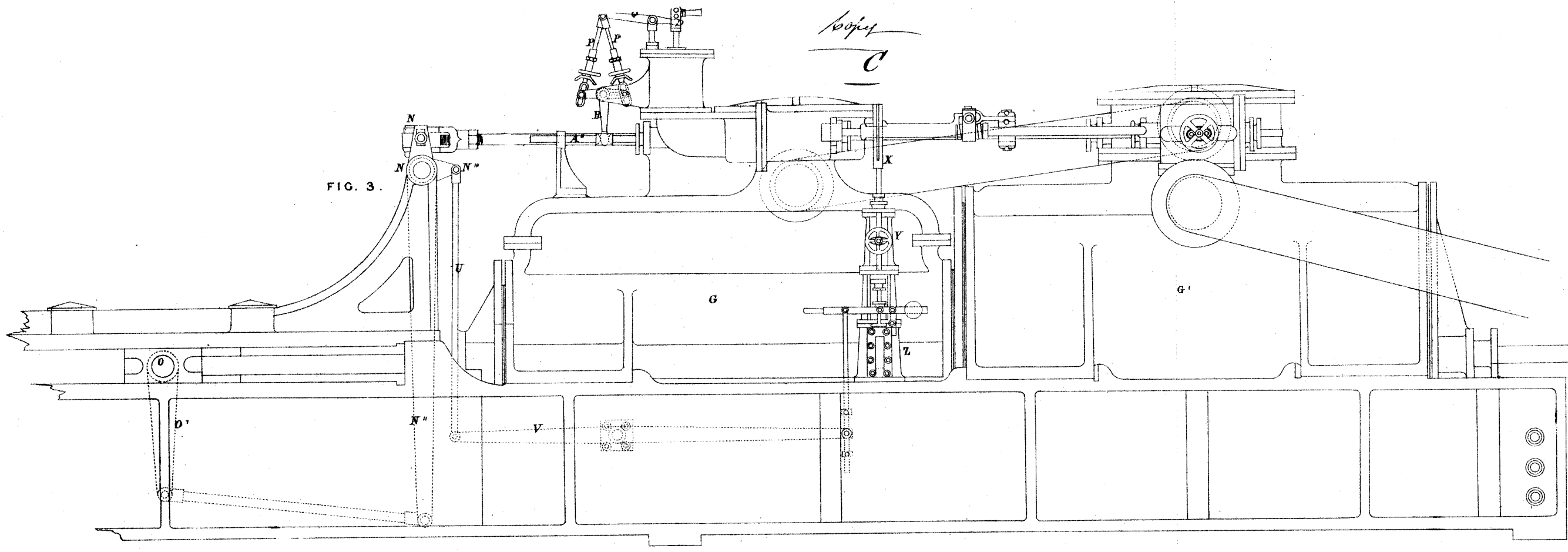
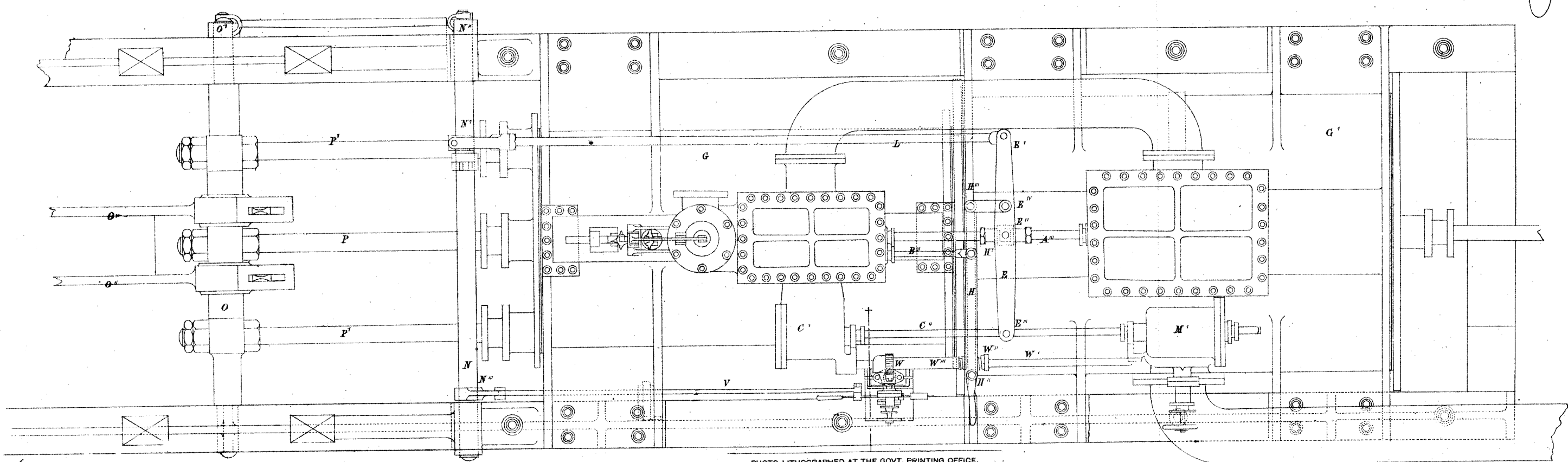


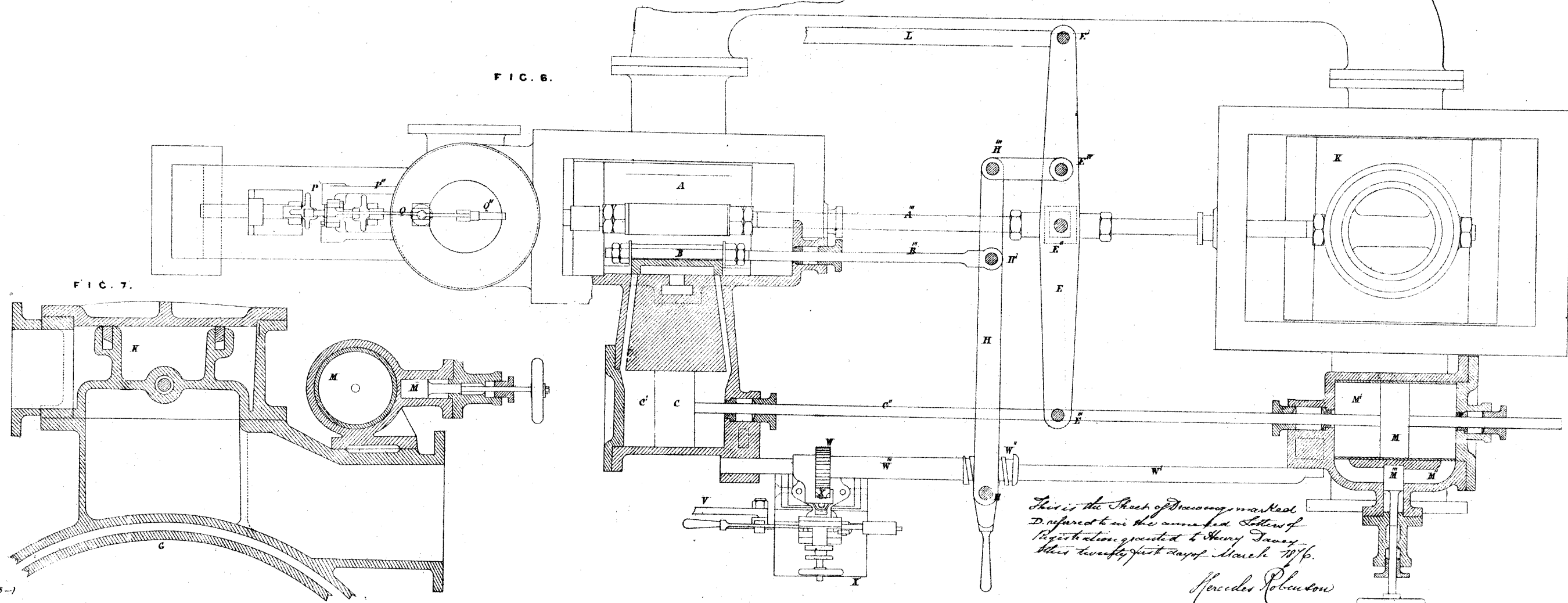
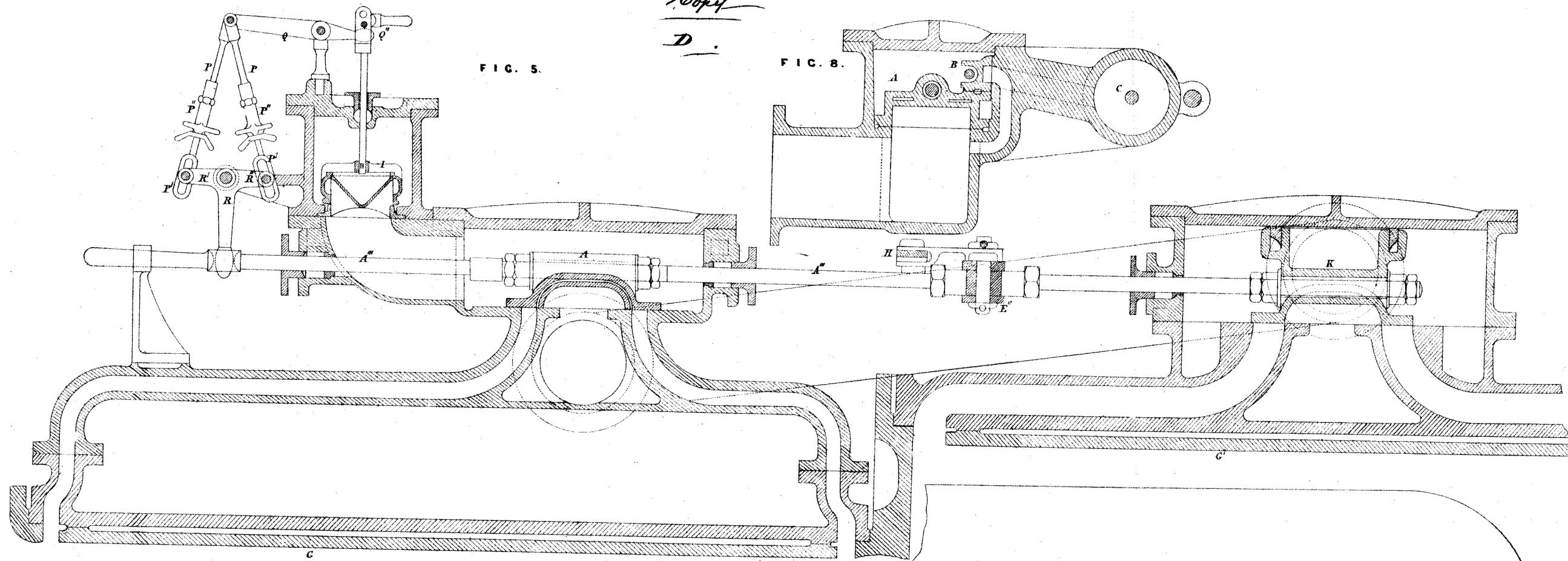
FIG. 4.



*This is the sheet of Drawings marked C referred to
in the annexed letter of Registration granted to
Henry Denny the twenty-first day of March 1876*

Herbert Robinson

copy
D.



*This is the Sheet of Drawings marked
D. referred to in the annexed Letters of
Patent granted to Henry Davey
this twenty first day of March 1876.
Heracles Robinson*

[53]



A.D. 1876, 28th March. No. 517.

**IMPROVEMENTS IN THE SPECIFIC ARRANGEMENT OF GEARING IN
WOOL-PRESSES.**

LETTERS OF REGISTRATION to Thomas Denny, for Improvements in the
specific arrangement of Gearing in Wool-Presses.

[Registered on the 29th day of March, 1876, in pursuance of the Act 16 Vic. No. 24.]

BY HIS EXCELLENCY SIR HERCULES GEORGE ROBERT ROBINSON, Knight Grand Cross of the Most Distinguished Order of Saint Michael and Saint George, Governor and Commander-in-Chief of the Colony of New South Wales and its Dependencies, and Vice-Admiral of the same.

TO ALL TO WHOM THESE PRESENTS SHALL COME, greeting :

WHEREAS THOMAS DENNY, of Bathurst, in the Colony of New South Wales, engineer, hath by his Petition humbly represented to me that he is the author or designer of a certain invention or improvement in manufactures, that is to say, of an invention for "Improvements in the specific arrangement of Gearing in Wool-presses," which is more particularly described in the specification and sheet of drawings which are hereunto annexed; and that he, the said Petitioner, hath deposited with the Honorable the Treasurer of the said Colony of New South Wales the sum of Twenty Pounds sterling, for defraying the expense of granting these Letters of Registration, as required by the Act of Council, sixteenth Victoria, number twenty-four; and hath humbly prayed that I would be pleased to grant Letters of Registration, whereby the exclusive enjoyment and advantage of the said invention or improvement might be secured to him for a period of fourteen years: And I, being willing to give encouragement to all inventions and improvements in the arts or manufactures which may be for the public good, and having received a report favourable to the prayer of the said Petition from competent persons appointed by me to examine and consider the matters stated therein, and to report thereon for my information, am pleased, with the advice of the Executive Council, and in exercise of the power and authority given to me by the said Act of Council, to grant, and do by these Letters of Registration grant unto the said Thomas Denny, his executors, administrators, and assigns, the exclusive enjoyment and advantage of the said invention or improvement, for and during the term of fourteen years from the date hereof: to have, hold, and exercise unto the said Thomas Denny, his executors, administrators, and assigns, the exclusive enjoyment and advantage thereof, for and during and unto the full end and term of fourteen years from the date of these presents next and immediately ensuing, and fully to be complete and ended: Provided always, that if the said Thomas Denny shall not register the same in the proper office of the Supreme Court, at Sydney, in the said Colony of New South Wales, then these Letters of Registration, and all advantages whatsoever hereby granted, shall cease and become void.

In witness whereof, I have hereunto set my sign manual, and have caused the present Letters of Registration to be sealed with the seal of the said Colony of New South Wales, at Government House, Sydney, in New South Wales, this twenty-eighth day of March, in the year of our Lord one thousand eight hundred and seventy-six.

(L.S.)

HERCULES ROBINSON.

Improvements in the specific arrangement of Gearing in Wool-presses.

SPECIFICATIONS.

TO ALL TO WHOM THESE PRESENTS SHALL COME, I, THOMAS DENNY, of Bathurst, in the Colony of New South Wales, engineer, send greeting:

WHEREAS I am desirous of securing by Royal Letters Patent Her Majesty's Special License, that I, my administrators, executors, and assigns, or such others as I or they should at any time agree with, and no others, should and lawfully might from time to time, and at all times, during the term of fourteen years (to be computed from the day of which this instrument shall be left at the office of the Chief Secretary), make, use, exercise, and vend within the Colony of New South Wales and its Dependencies, an invention for pressing wool and other material by means of bevel gear, screw, and nut in sections, as more particularly described in specifications hereunto annexed.

Specifications of Press for Wool and other material.

The sill piece A is morticed for receiving the tennon of the column B, and the first horizontal piece C is tennoned and fitted into mortice in column. The top or cap-piece is morticed and fitted on to tennon top of column B; the frames for carrying top box are bolted on to column B, as shown on plan. The winch handle, spindle E, is fitted into bearings which are securely bolted on to column B, and has one bevel wheel F keyed on to same for giving motion to vertical spindle G by means of bevel wheel H, which is geared into F. On the top of spindle G, another bevel wheel, which is keyed on for giving motion by means of bevel wheel I to horizontal spindle J, which has a pinion keyed on for giving motion to large crown wheel K, which is prevented from travelling up the screw by friction rollers LL; said crown wheel is fitted into the box L, which turns with the wheel, thereby giving motion to the nut for pressing the screw down. The nut is made of brass, and is in two sections, RR; it is fitted into the box, leaving room for each section to glide back, so as to disengage themselves from the screw M. This sliding back is effected by an ingenious arrangement, though simple in itself insures rapidity of motion and reliability of action.

DESCRIPTION.

Two wrought-iron pins P are turned to run in a hole R in the back of the nut box, one pin for each section of nut; the other end of pin runs in a corresponding hole in the cover S of nut box. The middle part of each pin has an eccentric throw T of three-quarters of an inch, so that the ends being fixed in their holes when turned must of necessity shift each section of the nut back, as shown in plan. In order to effect this and insure the sliding back of each section at the same time, the eccentric pin ends are allowed to project, U, outside the cover of box, so as to admit of a small cog-wheel, V, being keyed on each of them. To give motion to these a third wheel, W, is keyed on to a stud fitted into a hole in the middle of box cover, and allowed to turn in same. On the outside end of this stud pin a crank handle, NN, is keyed on, and the stud pinion is so geared into the eccentric pinions that one half revolution of the stud pinion has the effect of disengaging both sections of the nut, one of the eccentric pins moving upward and the other downward, which is particularly shown in section on plan. The screw M when disengaged from nut is balanced by the balance weights N, causing the monkey MM, which is keyed on to screw and screw itself to return into position, immediately for pressing on being released from nut.

The working of the press is as follows:—The wool is put into the top box BB, the back door SS being let down for that purpose, it having a false bottom O; this is done when the box is pushed back on frame which has iron rails for wheels to run on, as shown in plan. Assuming that a pressed bale is in the bottom box, and that it is being sewn during the filling of the top box, as soon as the pressed bale is pushed out the men fill the bottom box, then the top box being full and running on wheels is pushed forward into position over the bottom box; the false bottom is drawn out, and the men wind away at the winch handles DD, when, in twelve minutes, a bale weighing 5 cwt. may be pressed; then the front door, HH, of the top box is opened, and it is pushed back ready for filling again. The men sew the bale, and when finished the stud handle is turned, the nut thereby being released from its engagement the screw flies up into position ready for the next bale.

I claim that through the economy of time thus effected one-third more bales per day can be pressed. Having thus described the nature of this invention, and the manner in which the different parts are connected so as to insure the greatest effect from the power applied, I would have it understood that I do not bind myself to the precise details herein mentioned, as they may be varied or altered without departing from the nature of my invention; neither do I claim the whole of the parts separately as my invention, but I do claim the general arrangement of gearing and connections as shown on plan and described in specifications, more especially the revolving box for carrying the two sections of nut, which, of course, compels the nut to revolve in place of screw, thus simplifying the connections and considerably lessening the friction.

The general arrangement of course embraces the gearing of eccentric pins, the attachment of friction rollers for taking off the friction of the upward tendency of the screw, and the arrangement of the first motion gearing, it being a better application of power, insuring a considerable saving of labour as compared with all other presses at work at the present time.

Several of the above presses were made and worked this season, and have given the greatest satisfaction in all cases. The average rate of bales pressed at one shed being $5\frac{1}{2}$ cwt. each bale fleece wool: And I do hereby for myself, my heirs, executors, and administrators, covenant with Her Majesty, her heirs, and successors, that I believe the said invention to be a new invention, as to the public use and exercise thereof; and I do not, or believe that, any other person than myself is the true and first inventor of the said invention, and that I will not deposit these presents at the office of the Chief Secretary with any such knowledge as aforesaid.

In witness whereof, to these presents I have hereunto set my hand and seal, this 6th day of November, one thousand eight hundred and seventy-five, at Bathurst, in the Colony aforesaid.

Witness—ROBERT M. POTTER.

THOMAS DENNY. (L.S.)

This

Improvements in the specific arrangement of Gearing in Wool-presses.

This is the specification referred to in the annexed Letters of Registration granted to Thomas Denny, this twenty-eighth day of March, 1876.

HERCULES ROBINSON.

REPORTS.

SIR,

Sydney, 29 November, 1875.

With reference to Mr. Thomas Denny's application for Letters of Registration for his invention of a Press for Pressing Wool and other materials, we beg to report that there is nothing new in any of the separate parts of his plan, and nothing therefore which the applicant can claim to have invented, whether as regards the split nut, bevelled gearing, screwed shaft, or counterbalanced weight, frames or boxes for holding wool, &c., but, as far as we are aware, the arrangement of the whole is novel, and may be considered the invention of the applicant, and we would accordingly recommend that Letters of Registration be issued to him for the specific arrangement of gearing shown on the plan, and described in the accompanying specification.

We have, &c.,

GOTHER K. MANN.
E. O. MORIARTY.

THE PRINCIPAL UNDER SECRETARY.

SIR,

Sydney, 6 March, 1876.

We do ourselves the honor to return Mr. Thomas Denny's revised specification for a "Press for Pressing Wool and other materials," and to state that we are of opinion that Letters of Registration may be issued in accordance therewith, it appearing to us that Mr. Denny claims thereby to be the author or designer only of the general arrangement comprised in the plan, and not of any of the separate parts.

We have, &c.,

GOTHER K. MANN.
E. O. MORIARTY.

THE PRINCIPAL UNDER SECRETARY.

[Drawings—one sheet.]

No. 518.

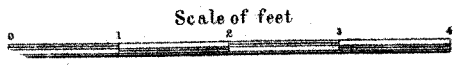
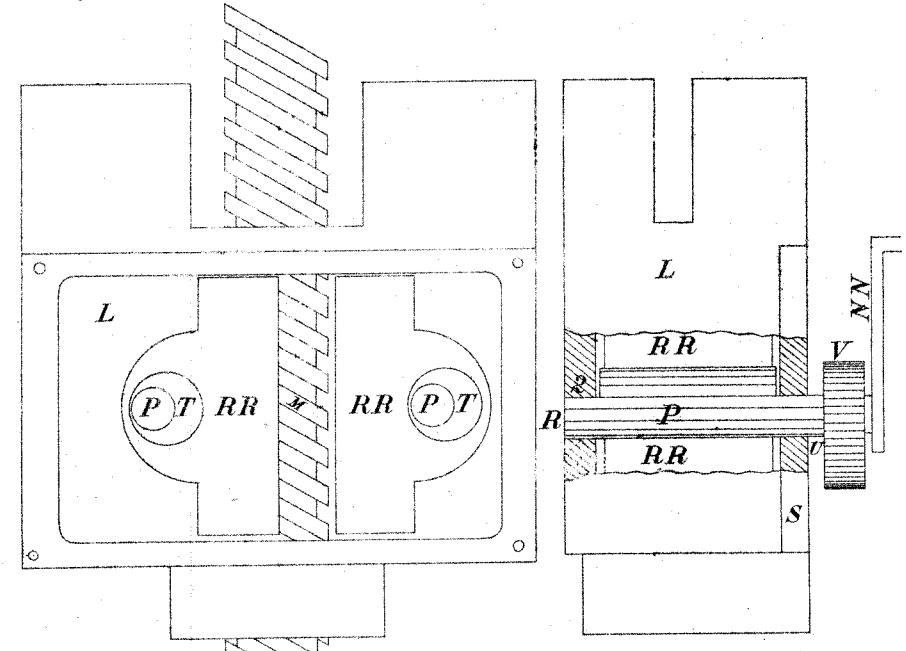
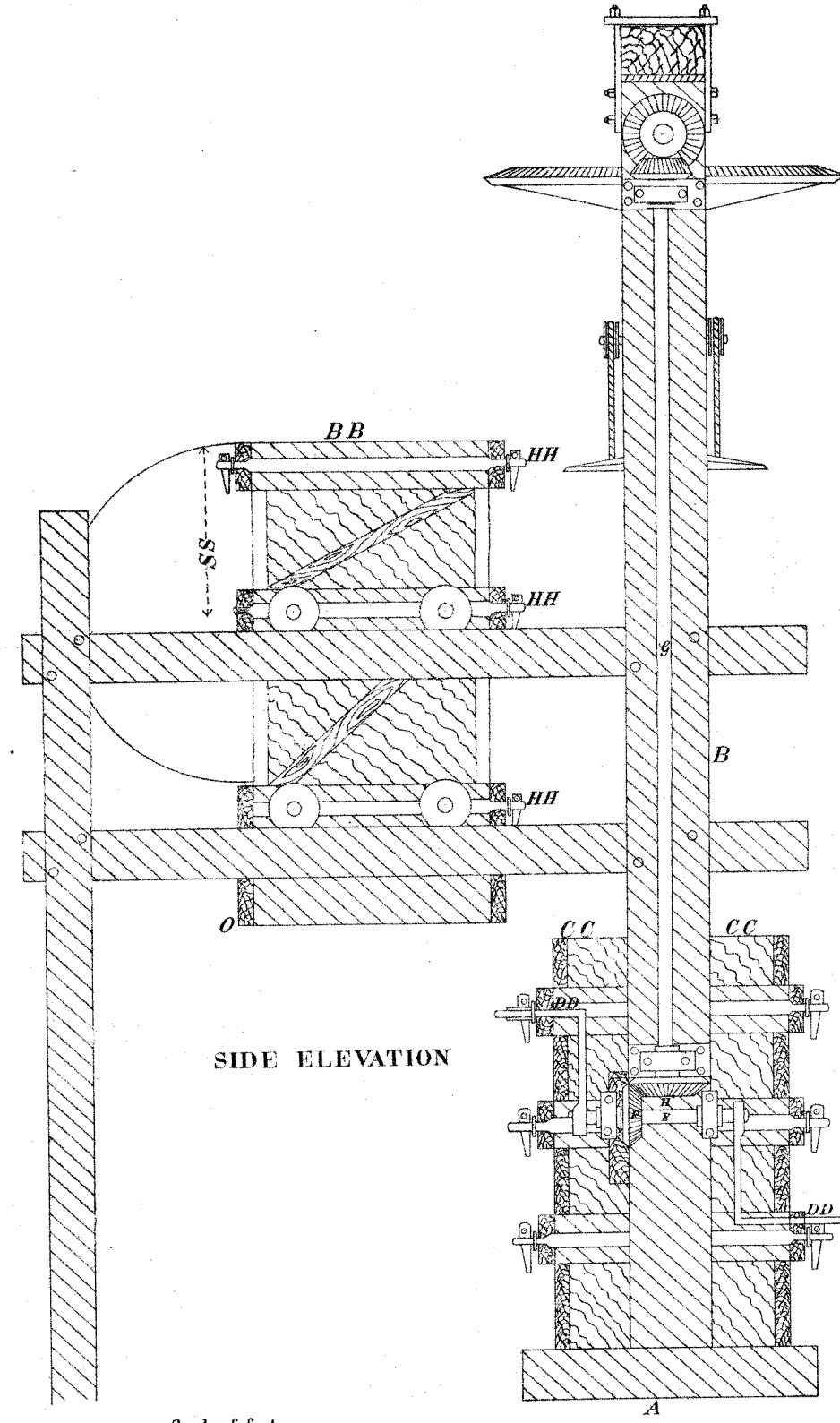
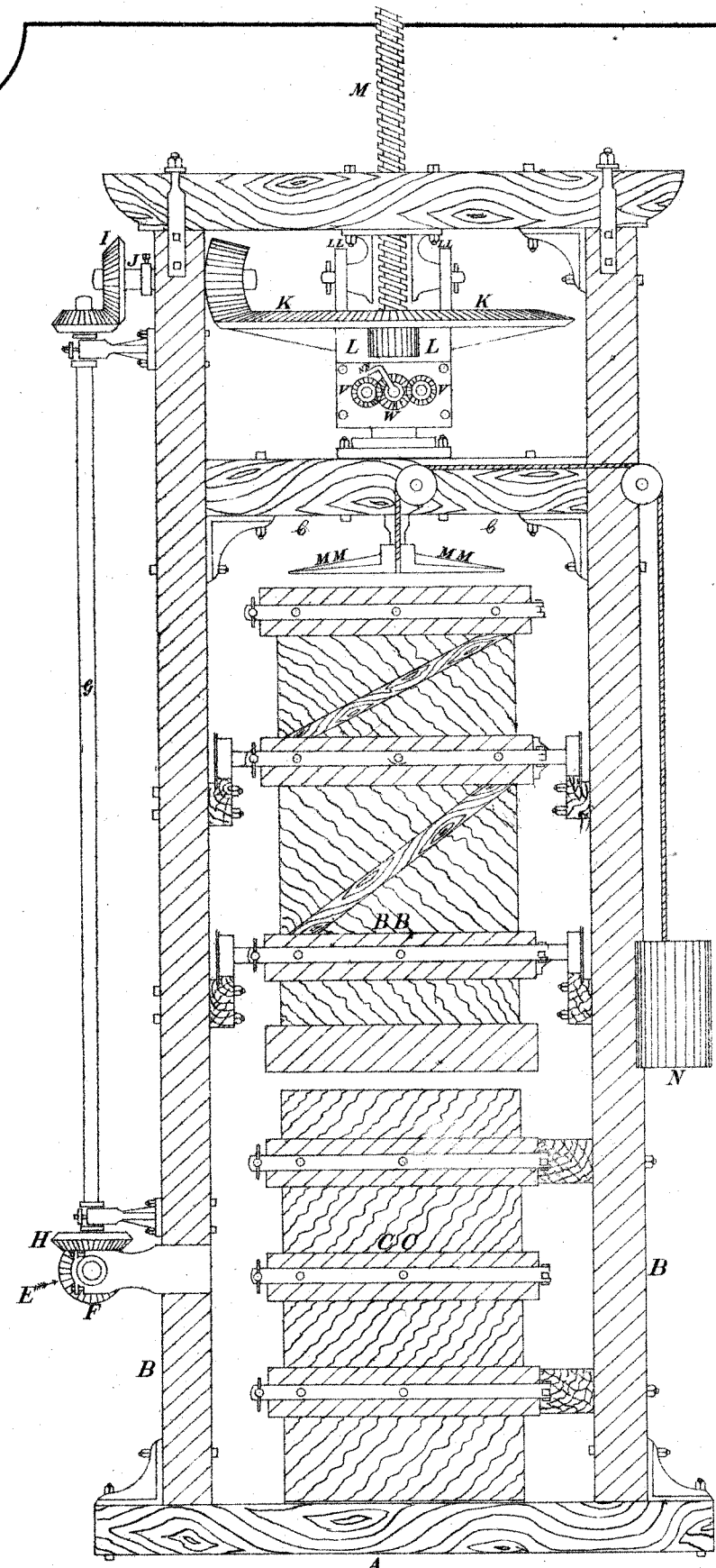
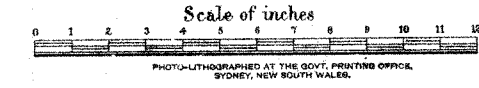
[Assignment of No. 463. See page 23 of Return of 27 March, 1878.]

DENNY'S PATENT WOOL PRESS

HAVING SELF ACTING RETURNING SCREW

Thomas Denny, Engineer,

Bat^l rst.



This is the Sheet of Drawings referred to in the annexed Letters of Registration granted to Thomas Denny this twenty-eighth day of March, 1876.

Hercules Robinson.

[57]



A.D. 1876, 24th April. No. 519.

IMPROVEMENTS IN THE CONSTRUCTION OF WOOL-PRESSES.

LETTERS OF REGISTRATION to James Mentiplay, for Improvements in the construction of Wool-presses.

[Registered on the 25th day of April, 1876, in pursuance of the Act 16 Vic. No. 24.]

BY HIS EXCELLENCY SIR HERCULES GEORGE ROBERT ROBINSON, Knight Grand Cross of the Most Distinguished Order of Saint Michael and Saint George, Governor and Commander-in-Chief of the Colony of New South Wales and its Dependencies, and Vice-Admiral of the same.

TO ALL TO WHOM THESE PRESENTS SHALL COME, greeting :

WHEREAS JAMES MENTIPLAY, of Invercargill, in the Colony of New Zealand, merchant and engineer, hath by his Petition humbly represented to me that he is the author or designer of a certain invention or improvement in manufactures, that is to say, of an invention for "Improvements in the construction of Wool-presses," which is more particularly described in the specification and sheet of drawings which are hereunto annexed; and that he, the said Petitioner, hath deposited with the Honorable the Treasurer of the said Colony of New South Wales the sum of Twenty Pounds sterling, for defraying the expense of granting these Letters of Registration, as required by the Act of Council, sixteenth Victoria, number twenty-four; and hath humbly prayed that I would be pleased to grant Letters of Registration, whereby the exclusive enjoyment and advantage of the said invention or improvement might be secured to him for a period of fourteen years: And I, being willing to give encouragement to all inventions and improvements in the arts or manufactures which may be for the public good, and having received a report favourable to the prayer of the said Petition, from competent persons appointed by me to examine and consider the matters stated therein, and to report thereon for my information, am pleased, with the advice of the Executive Council, and in exercise of the power and authority given to me by the said Act of Council to grant, and do by these Letters of Registration grant unto the said James Mentiplay, his executors, administrators, and assigns, the exclusive enjoyment and advantage of the said invention or improvement, for and during the term of fourteen years from the date hereof; to have, hold, and exercise unto the said James Mentiplay, his executors, administrators, and assigns, the exclusive enjoyment and advantage thereof, for and during and unto the full end and term of fourteen years from the date of these presents next and immediately ensuing, and fully to be complete and ended: Provided always, that if the said James Mentiplay shall not, within three days after the granting of these Letters of Registration, register the same in the proper office in the Supreme Court, at Sydney, in the said Colony of New South Wales, then these Letters of Registration, and all advantages whatsoever hereby granted shall cease and become void.

In witness whereof, I have hereunto set my sign manual, and have caused the present Letters of Registration to be sealed with the seal of the said Colony of New South Wales, at Government House, Sydney, in New South Wales, this twenty-fourth day of April, in the year of our Lord one thousand eight hundred and seventy-six.

(L.S.)

HERCULES ROBINSON.

Improvements in the construction of Wool-presses.

SPECIFICATION

Of JAMES MENTIPLAY, of Invercargill, in the Colony of New Zealand, merchant and engineer, for an invention intituled "Improvements in the construction of Wool-presses."

THIS invention of improvements in the construction of wool-presses may be divided into three parts, the first having reference to the method of opening and closing the two halves of the screw-nut through which in screw presses the screw must necessarily work, the second to certain contrivances connected with the raising and lowering of the screw, and the third having reference to certain contrivances for lowering the upper box to the level of the lower one in order to be filled, and raising it again when it is so filled.

Each half of the screw-nut has a hollow chamber behind it through which a spindle passes carrying an eccentric or cam which pushes the half-nut either backwards or forwards as required. On one end of each of these spindles is a toothed sector which gear into each other. On the boss of each of these sectors I affix the end of a lever by operating one or other of which the two halves of the screw-nut open or close simultaneously. When open the screw can be lifted straight up and down. I prefer to do so by means of a spur wheel gearing into the thread of the screw assisted by counter-balance weights attached to the upper side of the monkey. When closed the screw must be rotated in the ordinary way.

Near one end of the main driving shaft I affix a chain pulley, the chain on which passes over a chain wheel below fitting on to a horizontal shaft running quite across the press and carrying a reel near each end. On each reel there winds a rope or chain attached to one side of the upper box. This upper box has two legs, hinged at their base to the foundation plates of the press, so that by pulling it out from the framing it describes an arc of a circle, and finally deposits itself on the floor of the woolshed. When filled it is replaced in position by winding the ropes over the reels. A clutch connection throws this portion of the press in or out of gear at pleasure.

In order, however, that my invention may be clearly understood, I will proceed to refer to the drawings hereto attached, where figure 1 shows front elevation; figure 2, side elevation; and figure 3, plan of a wool-press constructed according to this invention; figure 4, being section of the screw-nut and the adjacent parts.

Adverting now to the method of opening and closing the two halves of the screw-nut A (see figure 4), I would observe, that the cam, which pushes each half backwards, or forwards, is marked A¹, and it is carried by a spindle A², at one end of which is toothed sector A³ (see figure 1). These gear into each other as shown. When the two halves are required to be opened the handle A⁴, attached to cord A⁵, is pulled, the result of this is that the lever A⁶ attached to the spindle of the toothed sector on the right hand side is pulled to the right, thus operating both spindles A² by reason of the toothed sectors gearing into each other. When the screw-nut is required to be closed again the handle A⁷ attached to cord A⁸ is pulled so as to bring the sectors back again to their original position. When these two halves of the screw-nut are separated the screw B is free to be lifted straight up and down. This I prefer to do by means of spur-wheel C, gearing into the thread of the screw counterbalance weights B¹, relieving it to a great extent. This wheel C is near the end of short shaft C¹ which carries another toothed wheel C². When C² is in gear with wheel C³ the screw can be raised, or lowered, by operating the driving shaft C⁴. In order to throw it in and out of gear I provide a slotted arm C⁵, one slot fitting over the driving shaft C⁴, and the other over short shaft C¹, these slots being made as shown, so as to admit of the latter shaft being drawn away from the former and the wheels C² and C³ thus thrown out of gear with each other. In order to this, said slotted arm is attached to one end of upright rod C⁶, connecting it to lever C⁷, pivotted at C⁸, and having a slotted extremity C⁹ to receive a crank pin on disc C¹⁰, fitted on to the end of one of the spindles of the toothed sectors, so that when they are operated for the purpose of opening the two halves of the screw-nut the toothed wheel C² is by the same movement thrown into gear with C³, and the short shaft C¹ and the spur-wheel C thereby revolves with the motion of the driving shaft.

The descent of the screw B is effected by the revolution of driving shaft C⁴, carrying bevel wheel D, which gears into crown wheel D¹ on the screw.

Referring to the method of raising and lowering the upper box, I would observe, that immediately the wool is pressed clear of it the front side of the upper box is thrown back on its hinges so as to enable it to pass free of the screw which remains pressing on the wool in the lower box. The handle of the lever E is pulled outwards, thus throwing the two halves E¹ and E² of the clutch connection into gear with each other. That half which is marked E² is formed on the boss of chain pulley E³, the chain on which gears over another chain pulley E⁴ on shaft E⁵, carrying two reels E⁶, on which are wound two cords E⁷ connected to the upper ends of two legs F, hinged to the foundation plate as shown, and carrying an iron bracket at the top in which are bearings F¹ for journals E⁸ attached to either side of the upper box. When thus thrown into gear it is evident that the rope or chain on the reels can be wound or unwound by the revolution of the handle H. When it is to be unwound, the upper box must be pushed gently forward until it is free of the lower one so as to prevent its canting, the cord being meanwhile gently unwound as required. After it is thus free it may be lowered more rapidly. When lowered, and being filled, the false bottom G is placed in it and withdrawn again as soon as it is in its place over the lower one. When thus raised to its original position the lever E is pushed inwards again and the two halves of the clutch connection E¹ and E² thrown out of gear prior to the descent of the screw B which has been raised again after the bale in the lower box has been sewn.

Having

Improvements in the construction of Wool-presses.

Having thus described the nature of this invention, and the manner of performing same, I would have it understood that I do not claim the use of either screw-nuts made in halves, or of movable upper boxes, as I am aware that such things have been used before, but

I claim—

First.—The toothed sectors marked A³ in combination with the other devices marked A to A⁸ inclusive, for the purpose of opening and closing the two halves of the screw-nut A.

Second.—The contrivances for throwing toothed wheel C² into gear with toothed wheel C³ for the purpose of operating spur-wheel C and so raising and lowering the screw as described.

Third.—The construction of wool-presses in which the upper box swivels on hinged legs or levers for the purpose of raising and lowering it as described.

This is the specification referred to in the annexed Letters of Registration granted to James Mentiplay, this twenty-fourth day of April, 1876.

HERCULES ROBINSON.

REPORT.

SIR,

Sydney, 14 March, 1876.

We do ourselves the honor to return to you the documents transmitted for our report under your B.C. communication of the 8th instant, No. 76/1,667, which have reference to Mr. James Mentiplay's application for Letters of Registration for his invention for "Improvements in the construction of Wool-presses," and to state that we see no objection to the issue of Letters of Registration asked for in accordance with Mr. Mentiplay's petition, specification, drawings, and claim.

We have, &c.,

GOTHER K. MANN.
E. O. MORIARTY.

THE PRINCIPAL UNDER SECRETARY.

[Drawings—one sheet.]

copy.

J. MENTIPAYS' PATENT.

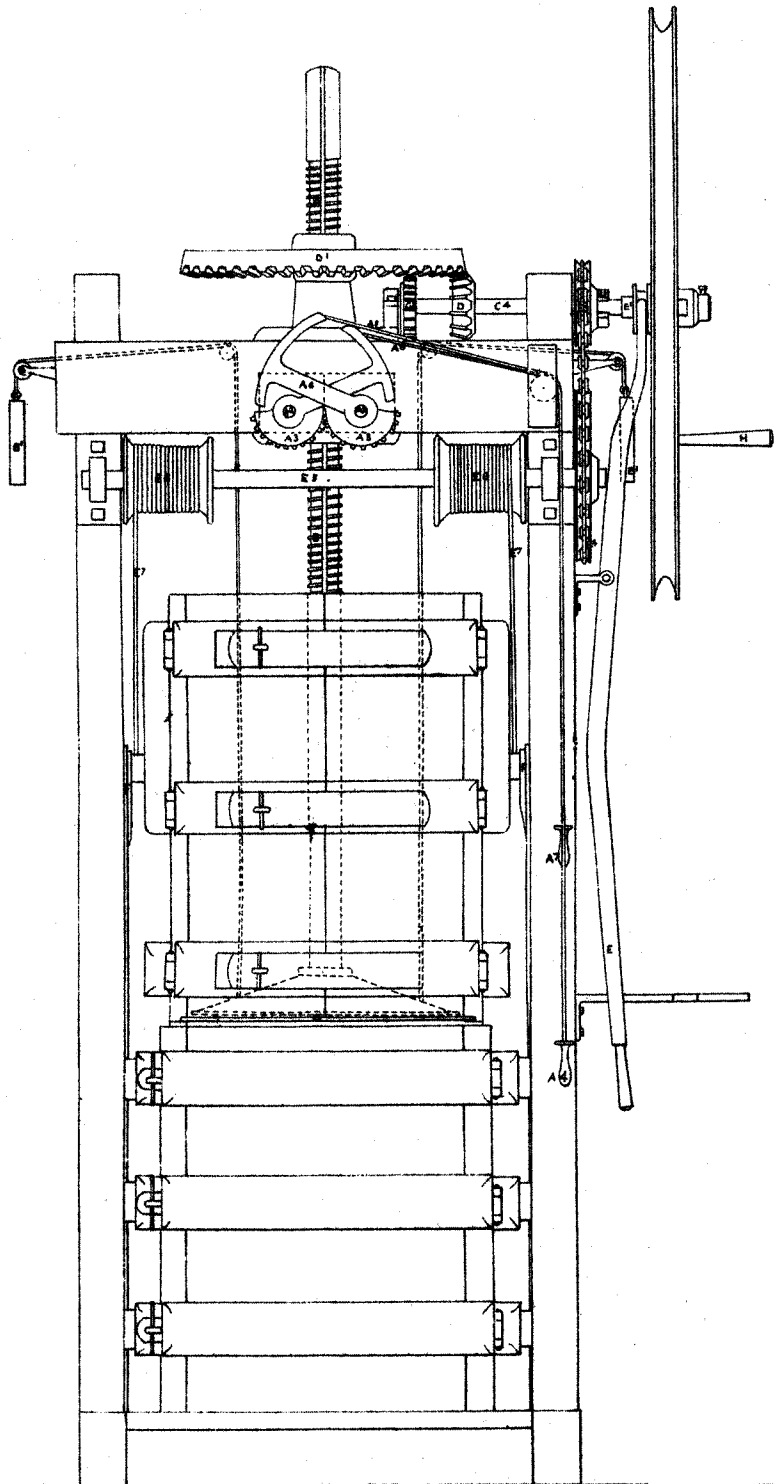


FIG. 1.

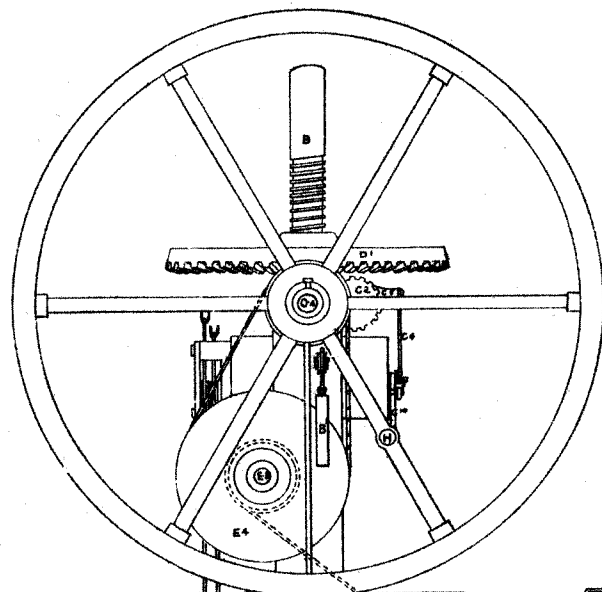


FIG. 2.

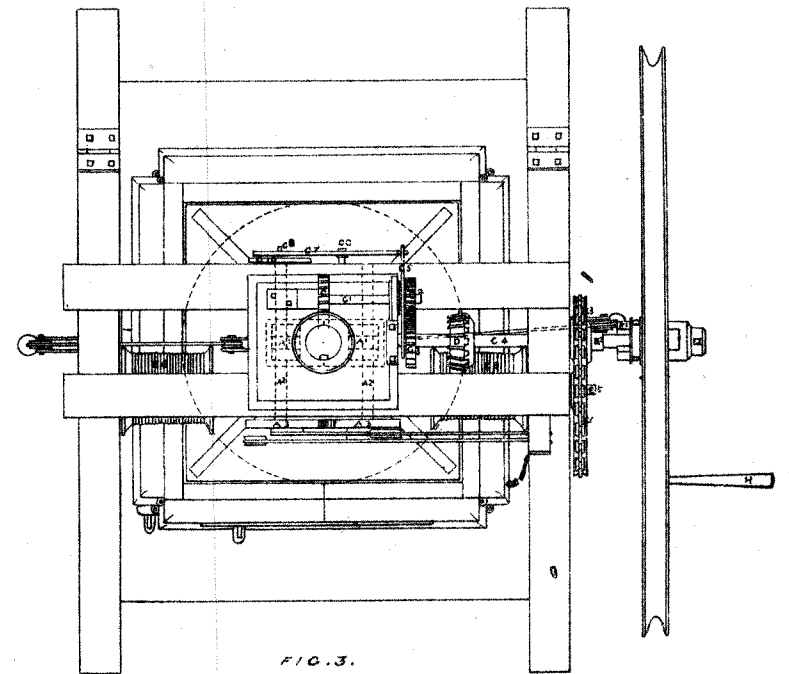


FIG. 3.

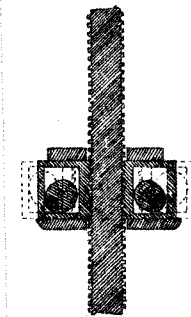
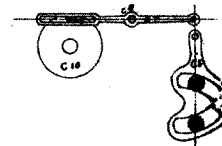
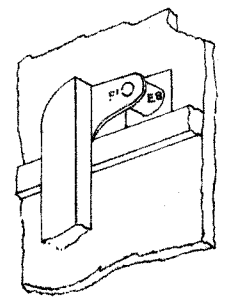


FIG. 4.



This is the Sheet of Drawings referred to in the
 annexed Letters of Patent granted to
 James Mentipays the twenty fourth day of
 April 1876 Hercules Robinson

[61]



A.D. 1876, 24th April. No. 520.

IMPROVEMENTS IN RAILWAY POINTS AND SIGNALS.

LETTERS OF REGISTRATION to John Saxby and John Stinson Farmer, for Improvements in the means and apparatus employed in interlocking and securing the safe working of Railway Points and Signals.

[Registered on the 25th April, 1876, in pursuance of the Act 16 Vic. No. 24.]

BY HIS EXCELLENCY SIR HERCULES GEORGE ROBERT ROBINSON, Knight Grand Cross of the Most Distinguished Order of St. Michael and St. George, Governor and Commander-in-Chief of the Colony of New South Wales and its Dependencies, and Vice-Admiral of the same.

TO ALL TO WHOM THESE PRESENTS SHALL COME, greeting :

WHEREAS JOHN SAXBY and JOHN STINSON FARMER, both of Canterbury Road, Kilburn, in the county of Middlesex, England, have by their Petition humbly represented to me that they are the authors or designers of a certain invention or improvement in manufactures, that is to say, of an invention for "Improvements in the means and apparatus employed in interlocking and securing the safe working of Railway Points and Signals," which is more particularly described in the specification, marked A, and the four sheets of drawings, marked B, C, D, and E, respectively, which are hereunto annexed; and that they, the said Petitioners, have deposited with the Honorable the Treasurer of the said Colony of New South Wales the sum of Twenty Pounds sterling, for defraying the expense of granting these Letters of Registration, as required by the Act of Council sixteenth Victoria, number twenty-four; and have humbly prayed that I would be pleased to grant Letters of Registration, whereby the exclusive enjoyment and advantage of the said invention or improvement might be secured to them for the period of fourteen years: And I, being willing to give encouragement to all inventions and improvements in the arts or manufactures which may be for the public good, and having received a report favourable to the prayer of the said Petition, from competent persons appointed by me to examine and consider the matters stated therein, and to report thereon for my information, am pleased, with the advice of the Executive Council, and in exercise of the power and authority given to me by the said Act of Council, to grant, and do by these Letters of Registration grant unto the said John Saxby and John Stinson Farmer, their executors, administrators, and assigns, the exclusive enjoyment and advantage of the said invention or improvement, for and during the term of fourteen years from the date hereof: to have, hold, and exercise unto the said John Saxby and John Stinson Farmer, their executors, administrators, and assigns, the exclusive enjoyment and advantage thereof, for and during and unto the full end and term of fourteen years from the date of these presents next and immediately ensuing, and fully to be complete and ended: Provided always, that if the said John Saxby and John Stinson Farmer shall not, within three days after the granting of these Letters of Registration, register the same in the proper office in the Supreme Court at Sydney, in the said Colony of New South Wales, then these Letters of Registration, and all advantages whatsoever hereby granted, shall cease and become void.

In witness whereof, I have hereunto set my sign manual, and have caused the present Letters of Registration to be sealed with the seal of the said Colony of New South Wales, at Government House, Sydney, in New South Wales, this twenty-fourth day of April, in the year of our Lord one thousand eight hundred and seventy-six.

(L.S.)

HERCULES ROBINSON.

*Improvements in Railway Points and Signals.*A.
SPECIFICATION.

TO ALL WHOM IT MAY CONCERN :

BE it known that we, JOHN SAXBY and JOHN STINSON FARMER, both of Canterbury Road, Kilburn, in the county of Middlesex, England, do hereby declare the nature of the said invention for "Improvements in the means and apparatus employed in interlocking and securing the safe working of Railway Points and Signals," to be particularly described and ascertained in and by the following statement thereof, reference being had to the accompanying sheets of drawings, and to the figures and letters marked thereon, that is to say :—

Our invention relates to improvements in the construction and arrangement of apparatus whereby when any one lever of a system of levers employed for working the points and signals of railways is moved, or about to be moved, other levers of the system are prevented from being moved, and when the said lever has been fully moved over some other levers of the system are released so that they may be moved, and to a mode of rendering the action of such of those levers as are employed for bolting the points dependent on the position of the lever that works the points, and of relating the action of switch locks when such are employed to that of the point bolts. The object attained by these improvements is safety of traffic on railways, so far as it can be secured by complete and effective interlocking of the point and signal levers by bolting and locking of the points or switches during the passage of a train over them, and by the detection of error or incompleteness in the shifting of points even when they are at a distance from the man who works them.

We will first describe our improvements in the interlocking apparatus of the point and signal levers, which are of the following description :—We mount in front of each lever of the system which has to be interlocked a vertical rocking shaft which we connect to the lever, or to its spring-catch, in such a manner that when the said lever is moved, or when its spring catch is raised to permit it to be moved, the rocking shaft is caused to turn partly round on its axis, and when the lever is pulled over, or when its spring catch is let down to hold it in the position to which it has been pulled, the said rocking shaft is turned farther round. From each such rocking shaft projects an arm which engages with a horizontal bar mounted so as to slide longitudinally along the row of levers in face of the successive vertical rocking shafts thereof, so that when the rocking shaft is partly turned the bar thus connected to it is caused to slide. These sliding bars have projections or hollows in their edges, and the vertical rocking shafts have hollows in their circumference, and these projections or hollows of the sliding bars are arranged in such relation to the hollows of the several rocking shafts as to effect the required interlocking in the following manner :—When the vertical rocking shaft of any lever has no projection of any of the sliding bars engaged in the hollow of its circumference, and when its own sliding bar is free to move, that rocking shaft is free to turn, and the lever connected to it may be moved, or the spring catch of that lever may be raised, with a view to the movement of that lever. When the movement of the lever is begun, or when its spring catch is raised before beginning the movement of the lever, the vertical shaft being thereby turned partly round withdraws the hollow of its circumference from facing projections on some of the sliding bars, and so presents an obstacle to the movement of those bars. As those bars are respectively connected, as above described, the rocking shafts belonging to other levers of the system, the levers so connected to them are thus locked. When the movement of the lever is completed, or when its spring catch is let down, its rocking shaft being farther turned still presents the obstruction to the bars already obstructed by it, and so maintains the locked condition of the levers connected to those bars, but by its farther revolution presenting hollows in its circumference to the projections of others of the sliding bars permits them to be moved, and so releases the levers with which they are respectively connected. Moreover, when by the movement of any lever or its spring catch a projection on the bar connected therewith is brought into the hollow of any of the vertical rocking shafts, those shafts being thereby prevented from turning the levers to which they are respectively connected, are thereby locked. Any of the rocking shafts may be made to work several sliding bars, and the projections and hollows on the bars can be arranged so as to effect the interlocking, as above described, according to the requirements of the particular system of points and signals to which the apparatus is applied. And in order that this general description may be better understood, we refer to figs. 1 to 12 inclusive of the accompanying drawings, showing constructive details suitable for carrying this part of our invention into practical effect. Fig. 1 represents a transverse section of a frame of point and signal levers, showing one of the hand levers A connected by an obliquely slotted bar B, a plan of which is shown by fig. 1^a, to the pin of a crank, C, on a vertical rocking shaft, D. The bar B has a slot with oblique terminations, such that at the first part of the stroke of the lever A, the crank C and rocking shaft D are turned partly round, and at the last part of the stroke it is turned farther round in the same direction. Fig. 2 represents a like arrangement, the rocking shaft D being in this case mounted horizontally, and its crank C worked by a vertical rod, E, the pin of which travels in the slot of B. Some of the rocking shafts D, of which there is one to each hand lever, work sliding bars, F, having on them projections which either obstruct or are obstructed by others of the rocking shafts, as will be more fully explained hereafter. Instead of working these rocking shafts by the movement of the hand levers A, as shown in figs. 1 and 2, they are preferably worked from the movement of the spring-catches of the levers, so that on closing the spring-catch handle before moving any lever the necessary locking of some of the other levers is effected, and the unlocking of others of the levers is not effected till after the lever has been fully moved over and its spring-catch let go. For this purpose the movement of the rocking shafts is effected by connecting them to the rockers which are worked by the movement of the spring-catches, as described in the specifications of British Patents granted to the said John Saxby on the 17th June, 1871, No. 1601, and the 23rd June, 1871, No. 1655. Fig. 3 represents a transverse section; fig. 4, an elevation; and fig. 5, a plan of a system of four levers having their interlocking effected by the movement of vertical rocking shafts worked in this manner; fig. 8 represents a transverse section; fig. 9, an elevation; and fig. 10, a plan of a like system of four levers having horizontal rocking shafts worked in a similar manner. Figs. 6 and 7 show to an enlarged scale sectional plans of the vertical rocking

Improvements in Railway Points and Signals.

rocking shafts in two of their attitudes; and figs. 11 and 12 in like manner show to an enlarged scale longitudinal sections through the horizontal rocking shafts in two attitudes. We will first describe the mode of communicating motion from the spring-catches to the rocking shafts, whether they be mounted vertically or horizontally, referring to figs. 3, 4, 5, 8, 9, and 10, in which the same letters are employed to mark corresponding parts. The sliding rod K of the spring-catch of each of the hand levers A has at its lower end a stud, *k*, which works in the slot of the rocker G, so that when the rod K is raised by grasping the handle of the spring catch the rocker G is caused to oscillate vertically, the front end being raised. The lever A being then pulled over the stud *k* travels along the slot in G, and when the lever has attained the end of its stroke the spring catch rod K being allowed to descend, its stud *k* descending gives a farther oscillation to the rocker G in the same direction as before, that is to say, causes its front end to rise farther. To prevent the shifting of the rocker G while the stud *k* is passing along its slot over or near its fulcrum, we attach to the rocker a vertical rod L which passes through a slot in a horizontal bar M connected to and moving with the hand lever A. A plan of this slotted bar M is shown at fig. 13; the slot is narrower along the greater part of its length but is widened out at the ends, and the rod L is made with a thinned part presenting shoulders which can pass through the wide parts of the slot in M, but cannot pass through the narrow part. Thus, when the front end of the rocker G is raised, as above described, the upper shoulders of L are brought over the bar M through the widened end of its slot, and the lever now being moved the narrow part of the slot in M being thereby made to travel along the thinned part of L so that there are shoulders above and below M, the rod L cannot move vertically, and consequently the rocker G is kept steady until the terminal widened part of the slot in M is brought to face the rod L, whereupon the lower shoulders can rise through the widened slot, permitting the rocker to make its farther stroke on the descent of the catch rod K. The rocker G is connected by a rod H to the crank C of the rocking shaft D. In the case where the rocking shaft D is mounted horizontally, the connecting rod H¹ is jointed in two planes to allow for the vertical and horizontal circular movements of the rocker G and crank C respectively. The rocking shaft belonging to each lever being thus partly turned round by the first part of the lever's movement when it is worked from the lever, as in figs. 1 and 2, or before the commencement of the lever's movement when it is worked from the rocker G, as in figs. 3, 4, 5, 8, 9, and 10, and being farther turned round in the one case by the last part, or in the other case after the termination of the lever's movement, the interlocking is effected by the agency of these rocking shafts in a manner which will be understood in reference to figs. 6 and 7, and to figs. 11 and 12. Two of the rocking shafts D³ and D⁴ have arms, *d*³ and *d*⁴, which, by means of studs entering gates on sliding bars, F³ F⁴, cause these bars to slide to and fro longitudinally when the rocking shafts are turned on their axes. These bars have on them projections, *f*¹ *f*² *f*³, and the rocking shafts are made with hollowed and flattened parts in their peripheries, in such manner that in some cases the sliding bars are obstructed by the rocking shaft so that they cannot slide, or that they obstruct the rocking shafts so that the latter cannot turn. It will be seen, for example, that the bar F⁴ in fig. 6 is obstructed by its projections *f*¹ and *f*² bearing against the solid parts of the shafts D¹ and D², and consequently the rocking shaft D⁴ which works the bar F⁴ cannot be turned, whereby the lever or spring catch which should move D⁴ is locked. Also the projection *f*³ on the rod F³ catching in a hollow of the shaft D² prevents that shaft from turning, and consequently locks the lever or the spring-catch which works D². When however by the movement of D³ which is free the projection *f*³ is withdrawn from D², as shown in fig. 7, and when D¹ and D² are turned partly round, as shown in the same figure, then the projections *f*¹ *f*² are free to be moved along the hollowed out parts of D¹ and D², and if they were so moved with the bar F⁴ by the partial turning of D⁴ they would in their turn obstruct the shafts D¹ and D², and consequently lock the levers or spring-catches connected to those shafts. In like manner, on referring to fig. 11, it will be seen that *f*¹ locks D¹, and that *f*² and *f*³ are locked by D² and D³ respectively; but that on D² being partly turned, as shown in fig. 12, on *f*¹ and *f*² being moved with the bar F³ by turning D³, and on *f*³ being moved with the bar F⁴ by partly turning D⁴, then D² and D³ become locked, and D¹ is free and may be turned into the position indicated by the dotted lines, thus locking *f*¹, the bar F³, and the shaft D³.

Although in the figures we have shown the interlocking of four levers only, it is to be understood that by repetition of the sliding bars F with stops or projections on them like those above described, placed in suitable positions, any number of levers can be interlocked in a similar manner, according to the requirements of the system of points and signals which those levers may have to work.

We will now describe our improvements in the construction and arrangement of the apparatus for bolting and locking a set of points applicable in cases where one of the levers of the system is appropriated not to the actual movement of the points nor to the movement of a signal, but simply to bolting the points in position when they have been shifted, and to unbolting them as a preliminary to shifting them, such bolting lever being like those which work the points and signals connected by rods extending from the signal box to a bolt situated at the points. The leading feature of our improvements in respect to the use of such a point-bolting lever is that it is always moved in the same way for the purpose of bolting the points whichever way they may be set, and that it is moved always in the opposite direction for unbolting them, so that the attendant has not in the action of bolting to consider the position of the points, the effect of the movement of the bolting lever being automatically determined by the attitude of the lever that moves the points. Thus this bolting movement is made to serve as a test of the efficiency of the point lever in moving the points, showing when it is obstructed that the points through a failure of the connections to them have not moved, or have only partially moved in obedience to the point lever, and the bolting lever being interlocked with the signal levers the obstruction to the movement of the former prevents the giving of a signal contradictory to the actual position of the points. And furthermore, when a switch lock is used in combination with the bolting apparatus, the bar of the switch lock, according to our arrangement, when such a bar is employed, remains clear of passing trains, both when the points are bolted, and also when they are unbolted, but the act of unbolting the points being always accompanied by the movement of the switch lock the unbolting is rendered impossible while a train is passing the switch lock. For the purpose of attaining these objects, I place the lever for bolting the points preferably next in the frame to the lever for moving them, and I so arrange the connection from the bolting lever to the rods by which its movement is communicated to the bolt at the points, and so connect the point lever to these rods, that when the point lever stands in one attitude, as for example, in the position which would set the

Improvements in Railway Points and Signals.

the points right for the main line, the movement of the bolting lever causes its rods to be pulled, but when the point lever stands in its other attitude, as for setting the points right for the branch line, the same movement of the bolting lever causes its rods to be pushed. This may be effected in various ways, as for example, by making one of the rods worked by the bolting lever with a pin sliding in a curved slot extending on both sides of the fulcrum of a lever, and connecting this rod to the point lever in such manner that when the point lever is in the one attitude the sliding pin is on the one side of the fulcrum, and when the point lever is moved to its other attitude the pin is slid to the opposite side of the fulcrum. Or the rod of the bolting lever may be made to work the one or the other of two rods, each made with a gab, one of which in one position of the point lever engages with a pin on the one side of the fulcrum of a lever, and the other of which in the other position of the point lever engages with a pin on the opposite side of the fulcrum. Or the bolting lever may be connected to a duplicate bell crank provided with a clutch moved by the point lever, so that in one position of the point lever one arm of the bell crank is made to operate on the bolting rods, and in the other position of the point lever the opposite arm is made to operate, the bolting rods extending from the bolting lever to the bolt at the points being thus made to move in the one direction when the points are, or should be, in the one attitude, and to move in the opposite direction when the points are, or should be, in the other attitude, are connected to a slide fitted to cross the rod of the two switch rails. On this slide are fixed two bolts or plungers directed opposite ways, one on each side of the tie rod, and holes are provided in the tie rod, into which the one or the other of these plungers can be inserted when the points are home in the one direction or the other, but the two plungers and their respective holes are so placed that neither plunger can be inserted into the hole appropriated to the other. In the middle position of the bolt slide corresponding to one position of the bolting lever, neither plunger being inserted into its holes, the points are free to be moved; but when the points have been shifted by the point lever to the one attitude then the movement of the bolting lever by pulling its rods causes one of the plungers to be inserted into its hole in the tie rod so as to lock the points. And when again the points have been shifted to their other attitude, the same movement of the bolting lever having in that case the effect of pushing its rods causes the other plunger to be inserted. Should the movement of the point lever fail to shift the points, or to shift them sufficiently far, then the proper plunger being unable to enter the hole in the tie rod the movement of the bolting lever will be obstructed, and such obstruction will serve as an indication of failure in the connections from the point lever to the points. And farther, when the bolting lever is interlocked with the signal levers the obstruction to the movement of the former will prevent the giving of a signal in contradiction to the actual position of the points. In cases where a switch lock is employed, consisting of a bar mounted by the rail to move on radii like the blade of a parallel ruler, as described in the specifications of English Patents granted to Livesey, Edwards, and Jeffreys, on the 27th February, 1867, No. 547, and to us the said John Saxby and John Stinton Farmer, on the 25th February 1870, No. 569, we connect by a toggle joint one of its radii to the bolt slide, or to one of the bolting rods worked as above described, in such manner that when the bolt slide is in its middle position, leaving the points free, the toggle joint is then in its middle or straight attitude, and the switch lock is at the extreme of its stroke in one direction clear of the wheels of passing trains; and when the bolting slide is moved in either direction, so as to insert the one or the other of the plungers into the tie rod, the toggle joint being thereby moved to the one side or the other of its middle position moves the switch lock to the other extreme of its stroke, where also it is clear of the wheels of passing trains, the points being then bolted; and farther, as the movement of the bolting lever for withdrawing either bolt from the tie rod is communicated through the toggle joint to the switch lock, such movement cannot be performed while any wheel is passing over the latter, and thus the points are kept locked during the passage of a train. Instead of connecting the bar of the switch lock by a toggle joint to the bolting gear it may be connected thereto directly, providing it with a set of duplicate slotted radii crossing each other, so that when the bar is moved in either direction it works on one set of the radii, the slots of the other radii allowing them to slide on their pivots. Constructive details suitable for carrying these improvements into practical use are shown in figs. 13 to 29 inclusive of the accompanying drawings. Fig. 13 represents a side view of a point lever A, and a switch bolting lever B set side by side, with means, according to our invention, of making the one movement of the lever B in the direction of the arrow effect the bolting of the points, whether by a push or a pull of the rods worked by it according as the lever A is in the position shown in fig. 13, or in the position indicated by the dotted line *a*. For this purpose the lever A is extended below its fulcrum, and its lower end is provided with a pin entering a slot in a rod C. The upper end of this rod has a pin which enters a curved slot, B¹ B², formed in a piece attached to the lever B, and its lower end is connected to a bell crank, D, which by means of rods, E, is connected to the switch bolting apparatus that will hereafter be described. When the lever A is in the position shown (which position it may be understood is that corresponding to the points being set for the main line), then on pulling over the lever B the rod C will be pushed downwards as indicated by the arrow, and the switch bolt connected to D will be moved by a push of the connecting rods E. When on the other hand the lever A has been moved over to the position *a* (thus having shifted the points from the main line to the branch) its lower end A¹ will have caused the rod C to sweep towards the left, thereby bringing it to the position dotted *c* with its upper end at the end B² of the slot. On now pulling over the bolting lever B in the same direction as before, the rod C will be drawn up, and the bell crank D will be made to act by a pull of the rods E connecting it to the bolting apparatus.

Fig. 14 represents a side view of a modified form of this apparatus. In this case the point lever A is linked to two rods, C¹ C², which are both jointed to the bell crank D, and have gabs near their upper ends. The bolting lever B has cross arms, each carrying a stud, B¹ and B², on opposite sides of the fulcrum.

It will be seen that when the lever A is in the one position the gab of one of the rods C² is engaged on the stud B², but if the lever A were moved over to the left the gab of C¹ would be engaged with B¹, and the action of the lever B on the bell crank D and rods E would be reversed. It is obvious that instead of arranging the reversing gear shown in figs. 13 and 14 immediately at the levers themselves, gear of the like description might be arranged in other positions, the point lever A being connected to a rod C or to rods C¹ C² in any convenient manner, so as to determine by the position the movement of the bolting rods E to be as a push or a pull.

Fig.

Improvements in Railway Points and Signals.

Fig. 15 represents a side view of another modification of this apparatus, fig. 16 being a front view of the lower part, and figs. 17 and 18 showing to a larger scale details which we will presently explain. In this case the point lever A coming in front of the bolting lever B hides the latter, except its bell crank end, which is connected by a rod C to two lever arms, D^1 and D^2 . At the side of each of those arms is another arm, d^1 d^2 , respectively, each pair being mounted on pins, a^1 a^2 , and the arms, d^1 d^2 being both jointed to the rod E connecting to the bolting apparatus. The two pins a^1 a^2 are fitted to slide in sockets, and are swivelled to opposite arms of a lever, A^2 , worked by a rod, A^1 , from the point lever A. The pin a^1 swivelled to the upper arm of A^2 , and passing through the bosses of D^1 and d^1 is shown in the longitudinal section, fig. 17, and a transverse section of the pin a^1 and boss d^1 is shown in fig. 18. From the latter fig. it will be seen that on the pin a^1 there is a clutch projection a^3 which enters a notch in the interior of the boss of D^1 , and also of d^1 when the pin a^1 is in the position shown in fig. 5, thereby clutching together the two arms D^1 and d^1 , but if the pin a^1 be drawn towards the right then the projection a^3 will be drawn out of the notch in D^1 , and the arm D^1 will then be unclutched from d^1 and can be moved independently thereof. It is to be understood that the lower pin a^2 is fitted in like manner with respect to the arms D^2 and d^2 . Now as the longitudinal position of the pins a^1 a^2 depends on the position of the point lever A, the one being drawn out and the other pushed in, according as that lever is pulled the one way or the other, the clutching of D^1 to d^1 , or of D^2 to d^2 , is thereby made to depend on the position of A, and thus if for example D^1 and d^1 are clutched together, while D^2 and d^2 are disengaged, the pulling up of the rod C will, through D^1 and d^1 acting for the time as a solid bell crank, pull the rod E, but if by moving the lever A, and consequently moving A^2 and the pins a^1 a^2 , the arms D^1 and d^1 become unclutched while D^2 and d^2 become clutched, then the pulling up of the rod C, the same action as before will now acting through D^2 and d^2 push the rod E.

Fig. 19 represents a plan, and fig. 20 a longitudinal section of part of a line of railway in close proximity to a pair of points, P P, with the bolting apparatus for these points arranged to operate according to our invention, in conjunction with any form of the apparatus which we have already described in reference to figs. 13 to 18 inclusive, and with a switch locking bar S, such as is described in the specifications of English Patents granted to Livesey, Edwards, and Jeffreys, on the 27th February, 1867, No. 547, and to us the said John Saxby and John Stinson Farmer, on the 25th February, 1870, No. 569, mounted by the side of one rail or radii, R R, as more clearly shown to an enlarged scale in the part side view, fig. 21, and section, fig. 22. The rod E, fig. 19, is supposed to be the distant termination of the rod B in figs. 13, 14, and 15, which as already described is pulled or pushed by one and the same movement of the bolting lever B, according as determined by the attitude of the point lever A. This rod E is by a bell crank E^1 and rod E^2 connected to one limb T of a toggle joint. This limb is the one arm of a bell crank, the other arm of which is connected by a rod, T^1 , to a sliding bolt, F, an end view of which is shown at fig. 23, and a plan to an enlarged scale at fig. 26. This bolt is fitted to slide across a bar P^1 , which connects the pair of points PP, through which bar are cut two holes of different shapes or at different levels fitting respectively two projecting ribs, f^1 f^2 , on the sliding bolt F. In the fig. these projecting ribs are shown to form with the slide F bolts of T shape, one being in an inverted position in relation to the other; one of the holes as p^1 , fig. 23, is fitted to receive the rib f^1 , the other hole being inverted to receive f^2 . The distance of these holes apart is equal to the throw of the points, so that when the points are home on the one side, as shown in fig. 19, to make the road good (say) for the main line, then by a push of the rod E, and consequently of the rod T, the rib f^2 will be thrust into its hole p^2 in the bar P^1 , but a pull of the rod E could not draw the rib f^1 into the hole p^1 , because the hole does not fit it. Again, if the points were moved over to the other side, then the hole p^2 would be moved away from facing f^2 , but the other hole p^1 would be brought to face f^1 . In that case a pull of the rod E would draw the rib f^1 into the hole p^1 , but a push of the rod E could not thrust f^2 into that hole, which it does not fit. Now as the position of the points P P is determined by means of the point lever A, and as the movement of the rod E whether to pull or to push is determined by the same lever A by the means already explained, the following consequences flow from the connections which we have described. If the points be not home to either side the bolt F cannot be shot in either direction, because neither of its ribs will find its hole in the bar P^1 facing it, consequently the bolting lever B will be obstructed, and the operator will know that the points are not home. Again, if the pointsman intended to shift the points, but owing to some yield or severance of the connections failed to do so, then having moved his point lever for this purpose he would have so altered the action of the rod E from a pull to a push, or *vice versa*, that he would be unable to move the bolt F, the wrong hole being presented to one of its ribs. Thus, by the obstruction to his bolting lever he would be apprised that the points had not obeyed him. When, however, the points completely obey the point lever, the operator can then by the same movement of the bolting lever shoot the one or the other of the bolts f^1 or f^2 , and so hold the points firm, preventing them from being moved until they are unbolted. And it is readily seen that by interlocking the bolting lever with the other point and signal levers of the system, the unbolting of the points may be made to depend upon the proper condition of all or any of the other levers of the system. The second limb T^2 of the toggle joint fig. 19, is connected by a lever T^3 with the switch locking bar S^1 , which, as explained in the specifications above referred to, is for the purpose of keeping the points from being moved during the passage of a train. When the toggle joint is in its middle or in either of its extreme positions (indicated by the dotted lines in fig. 19) the bar S is in its extreme position to right or to left, but the movement of the rod E, whether it is pushed or pulled by moving the toggle joint, T^2 , from one or other of those positions, has the effect of pulling the bar S over from the one extreme to the other, causing it to rise in its traverse as determined by its radii R. If then while any wheel of a train is passing over the bar S it were attempted to unbolt the points by either the push or the pull of the rod E, as the toggle joint would in obedience to such movement have to pass from its extreme to its middle position, and so would have to raise the bar S, the flange of the passing wheel preventing S from rising would effectually obstruct the movement, and so prevent the points from being unbolted. At the same time while the bolts on F are both withdrawn the points can be moved, the bar S remaining down.

Fig. 24 represents a plan, and fig. 25 a longitudinal section of part of a railway at a pair of points with connections acting in the same manner on the switch bolt and locking bar, but in a somewhat modified form, figs. 27 and 28 showing to an enlarged scale side views of the locking bar and its mountings

Improvements in Railway Points and Signals.

in one of its extreme positions and in its middle position respectively, and fig. 29 being a section through the rail and bar. In this case while the bolting of the points is effected in the manner already described, the toggle joint connection to the locking bar is dispensed with by providing the said bar S with a duplicate set of radii R with slotted holes as shown in figs. 27 and 28, and connecting it directly to an arm, T², of the lever T. The slots in the radii R permitting the bar to travel in either direction from its middle position, either the push or the pull of the rod E will cause it to rise in its traverse to one or other of its sets of radii, and when this rise is prevented by the flange of a passing wheel the unbolting of the points is consequently prevented.

Having thus described the nature of our invention, and in what manner the same is to be performed.

We claim—

First.—The use in the interlocking gear of railway point and signal levers of rocking shafts having hollows or flattened parts in combination with sliding bars having projections, these shafts and bars being worked by the movement of levers of the system, or of their spring catches in such a manner as to obstruct or release each other, substantially as herein described.

Second.—Connecting the lever which works a pair of railway points to the rods or connections worked by the lever which bolts those points in such manner that the one movement of the latter lever is made to act on the bolting apparatus by a pull or a push of its rods according to the position of the point lever, substantially in the manner and for the purposes herein set forth.

Third.—The combination of apparatus operating as described in the preceding claim with a switch lock bar, in such manner that when the movement of the said bar is prevented by wheels of a passing train, the rod from the bolting lever, whether it be subjected to a push or a pull, is also prevented from moving, and thus the unbolting of the points is likewise prevented, substantially as herein described.

In witness whereof we the said John Saxby and John Stinson Farmer have hereunto set our hands and seals, this twenty-eighth day of July, in the year of our Lord one thousand eight hundred and seventy-five.

JOHN SAXBY. (L.S.)
JOHN STINSON FARMER. (L.S.)

Witness—

JNO. P. M. MILLARD.

This is the specification marked A referred to in the annexed Letters of Registration granted to John Saxby and John Stinson Farmer, this twenty-fourth day of April, 1876.

HERCULES ROBINSON.

REPORT.

SIR,

Sydney, 29 March, 1876.

In the matter of the application of Messieurs John Saxby and John Stinson Farmer, of Middlesex, England, for Letters of Registration for "Improvements in the means and apparatus employed in interlocking and securing the safe working of Railway Points and Signals," which has been referred to us, we have the honor to report that we have examined the specification and drawings accompanying the same, and we see no objection to the issue of Letters of Registration as prayed for.

We have, &c.,

JOHN WHITTON.
E. C. CRACKNELL.

THE PRINCIPAL UNDER SECRETARY.

[Drawings—four sheets.]

No. 521.

[Assignment of No. 141. See page 47 of Return of 8 December, 1870.]

Copy

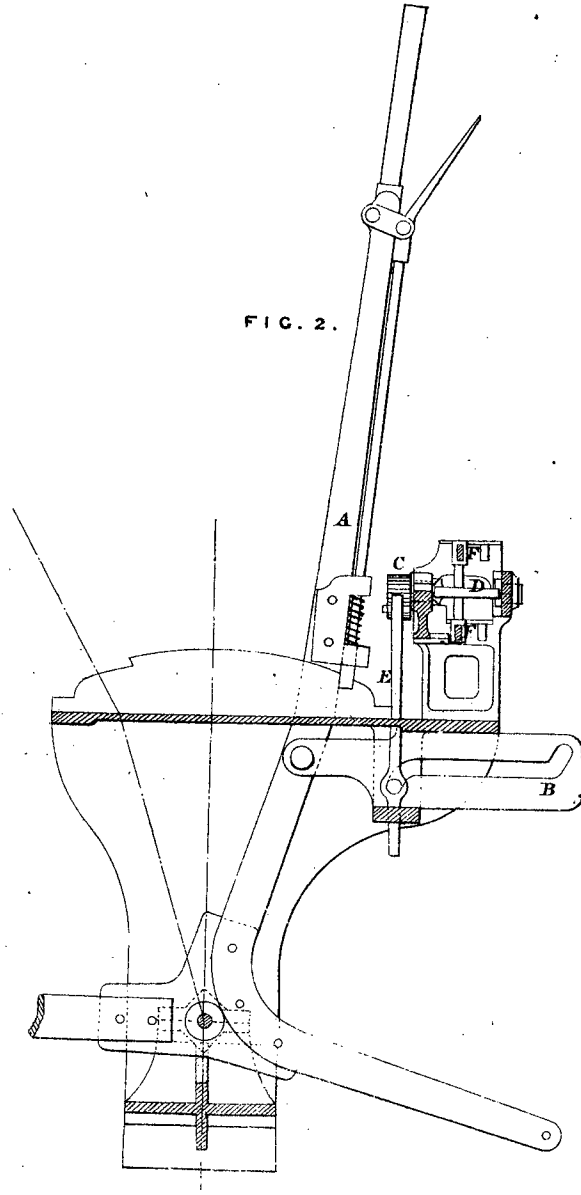


FIG. 2.

B

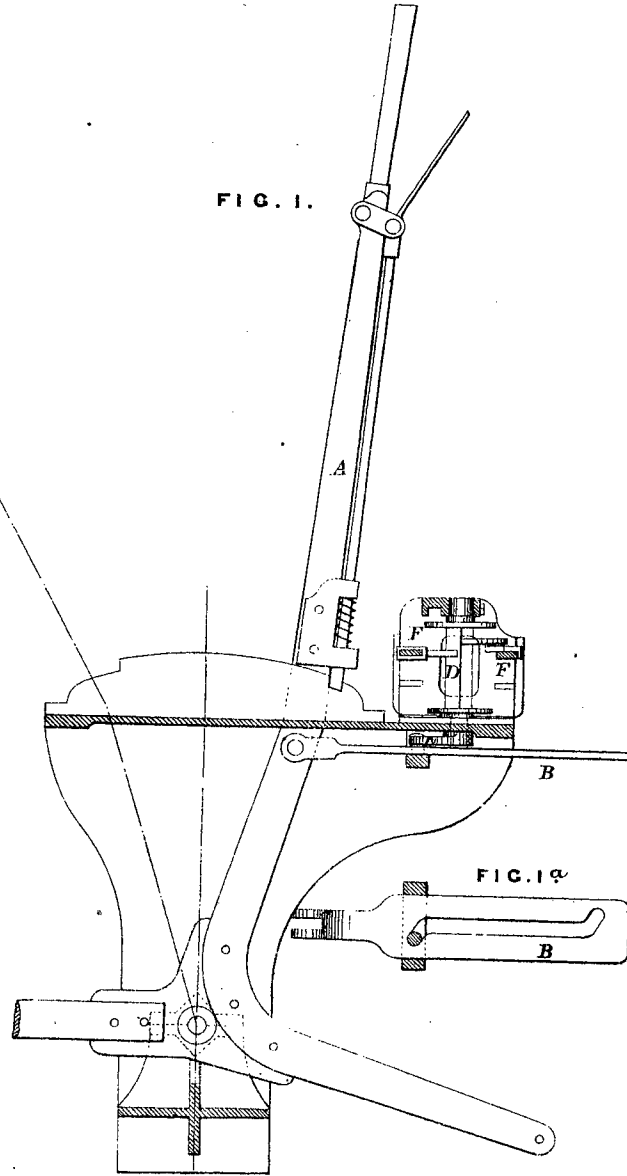


FIG. 1.

FIG. 1a

PHOTO-LITHOGRAPHED AT THE GOVT. PRINTING OFFICE,
SYDNEY, NEW SOUTH WALES.

*This is the best of drawings made as B-
referred to in the annexed letter of Proposition
granted to Mr. Saxby and John Thomas Farmer
the twenty fourth day of April 1876.
Hercules Robinson*

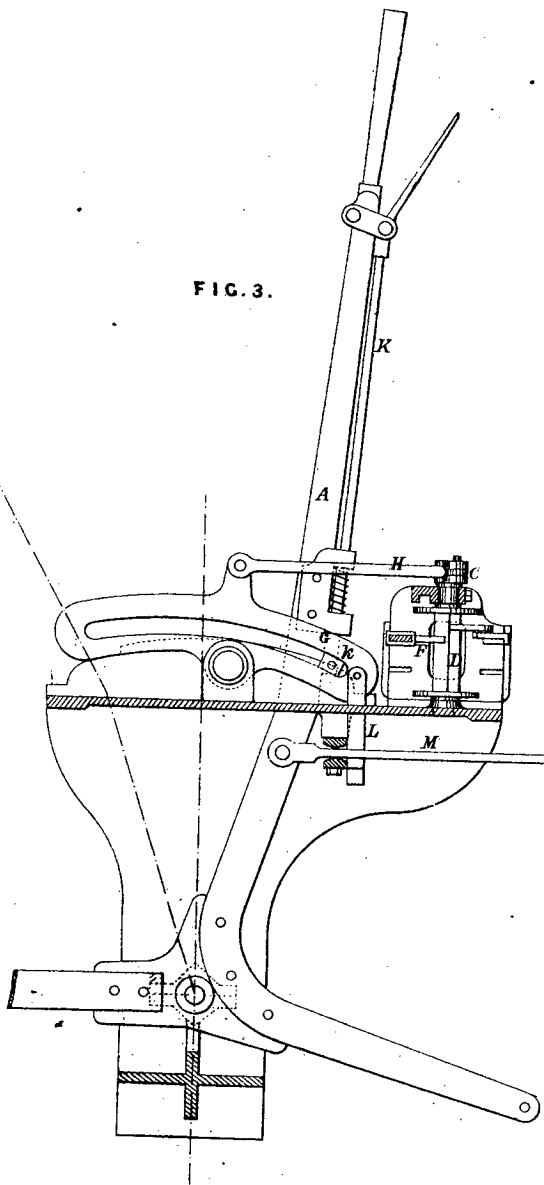


FIG. 3.

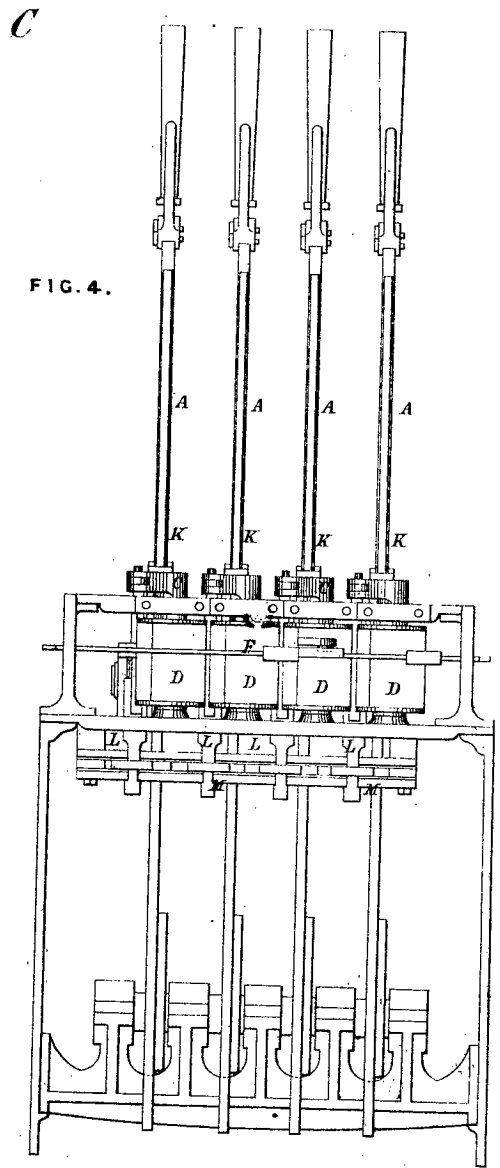


FIG. 4.

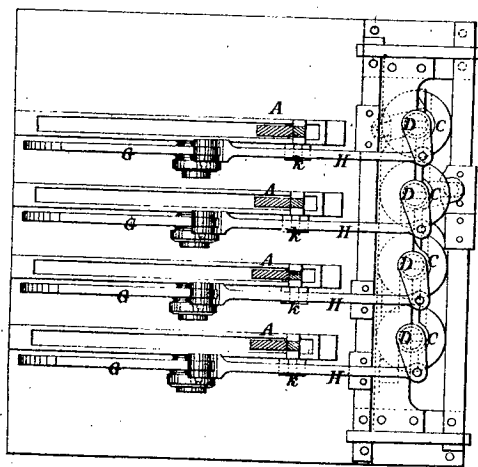


FIG. 5.

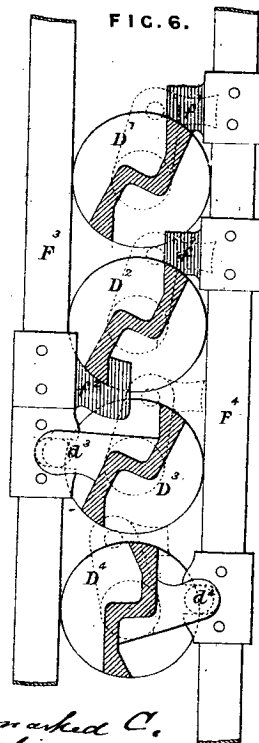


FIG. 6.

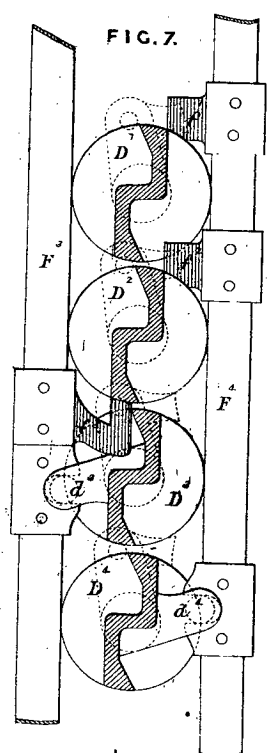


FIG. 7.

*This is the Sheet of Drawings marked C,
 referred to in the annexed Letters of Registration granted
 to John Saxby and John Farmer for their Invention
 of the day of April 1876 -*

Hercules Robinson

Copy
D

FIG. 8.

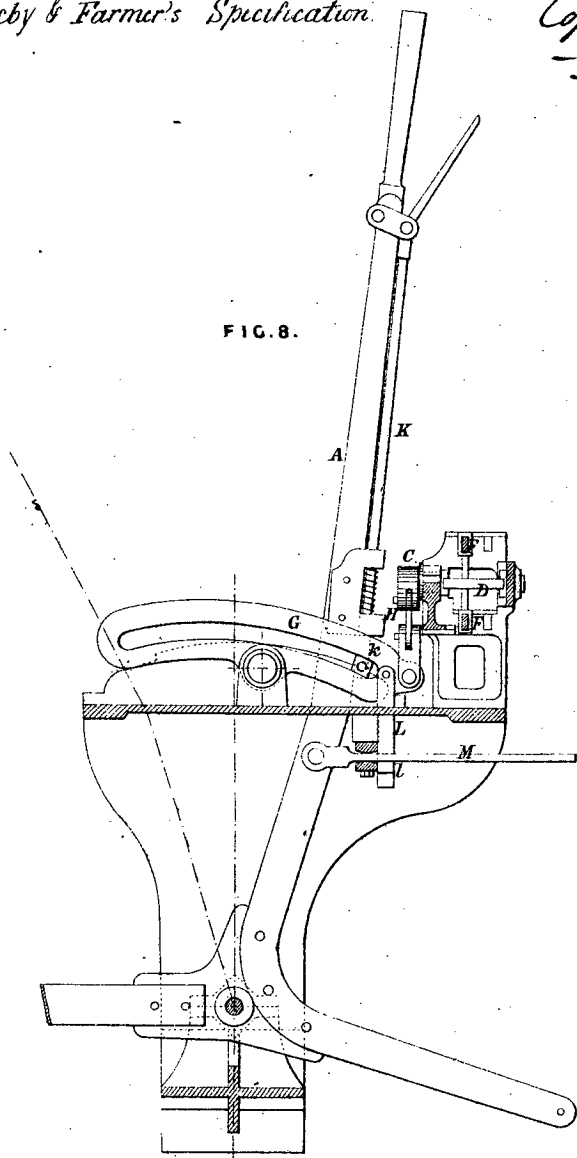


FIG. 13.

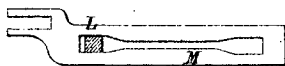


FIG. 10.

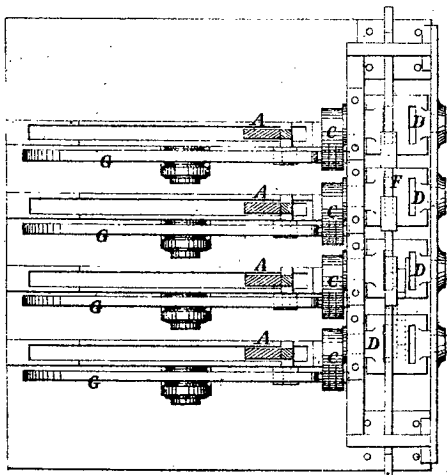


FIG. 9.

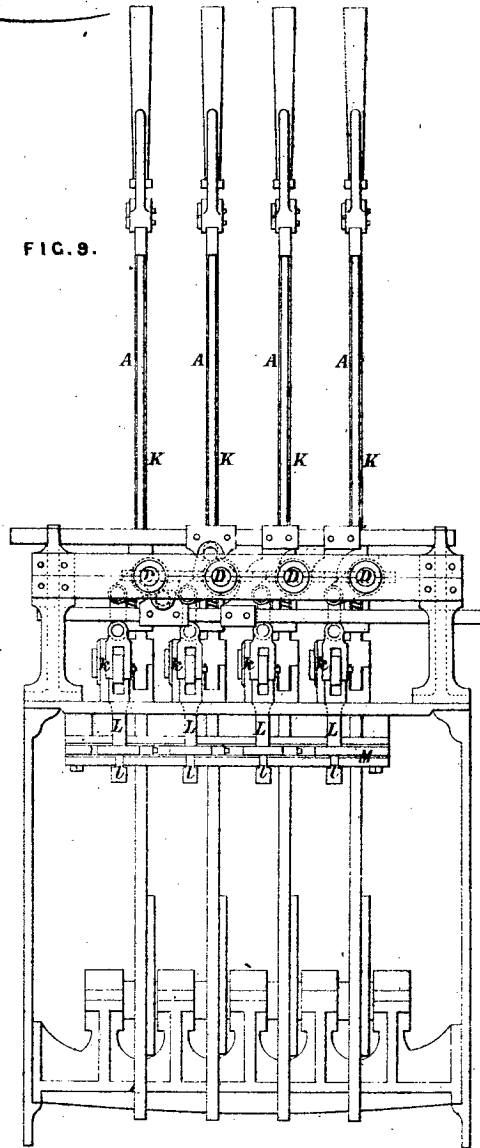


FIG. 11.

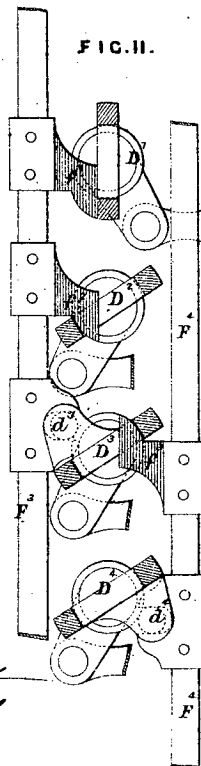
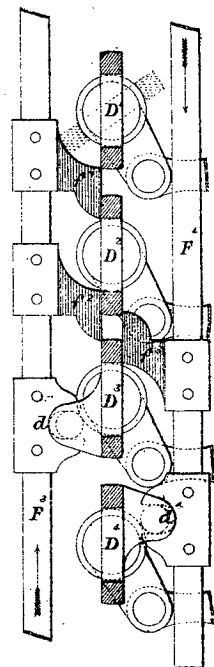


FIG. 12.



This is the Sheet of Drawings marked D, referred to
 in the annexed Letters of Patent granted
 to John Saaby and John Thomson Farmers with
 twenty-fourth day of April 1876.
 Hercules Robinson

FIG. 20

674
E



FIG. 25.

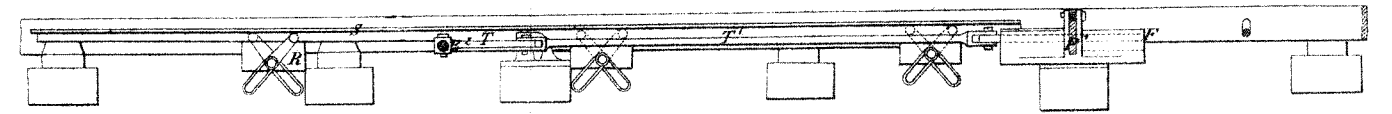


FIG. 19.

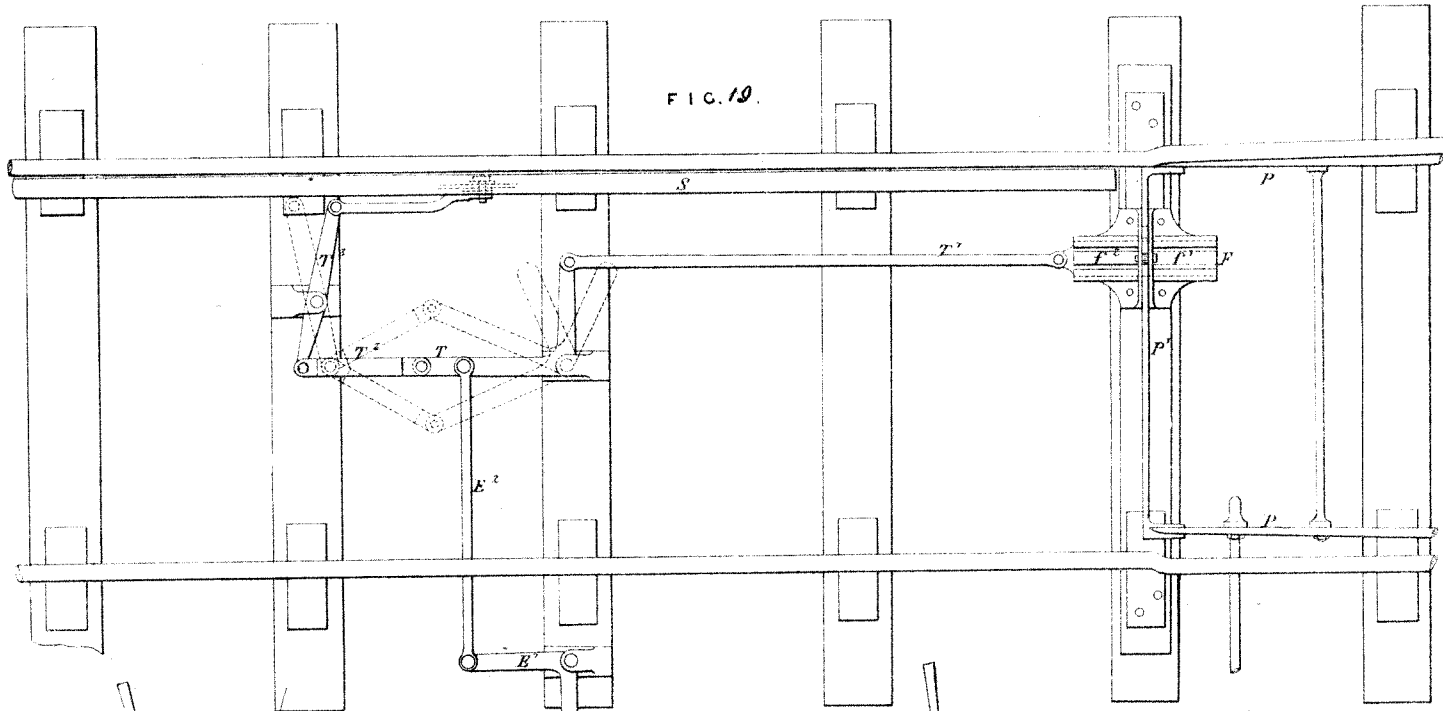


FIG. 24.

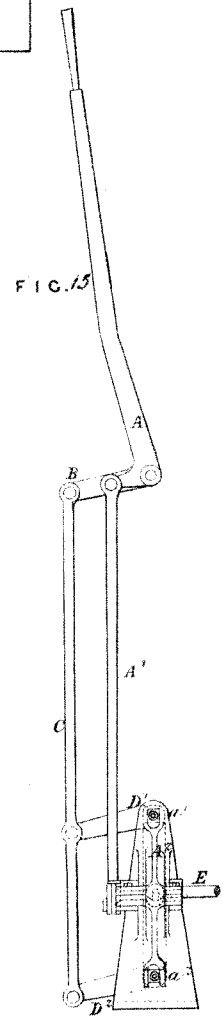
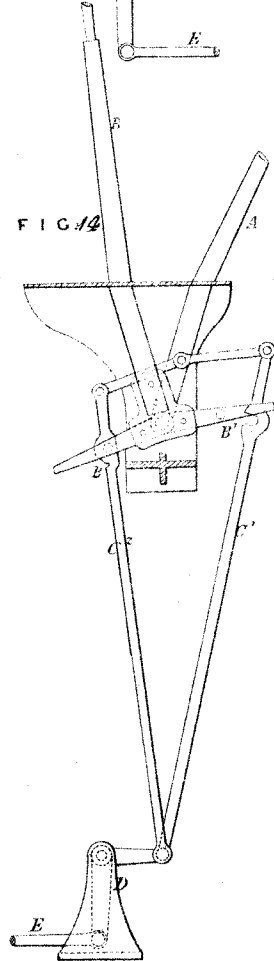
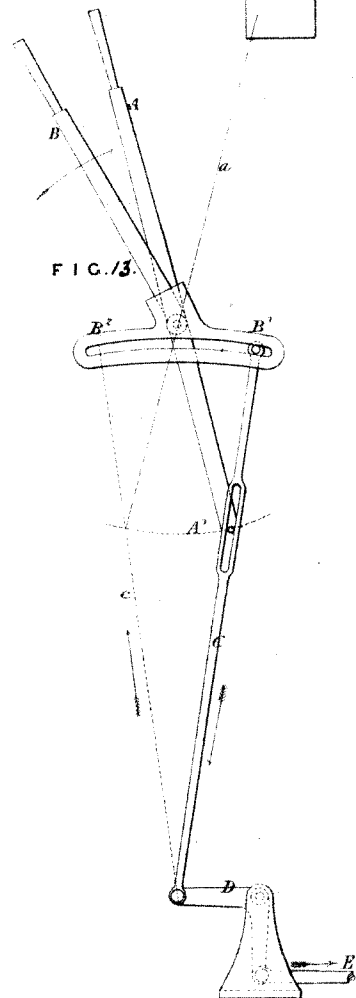
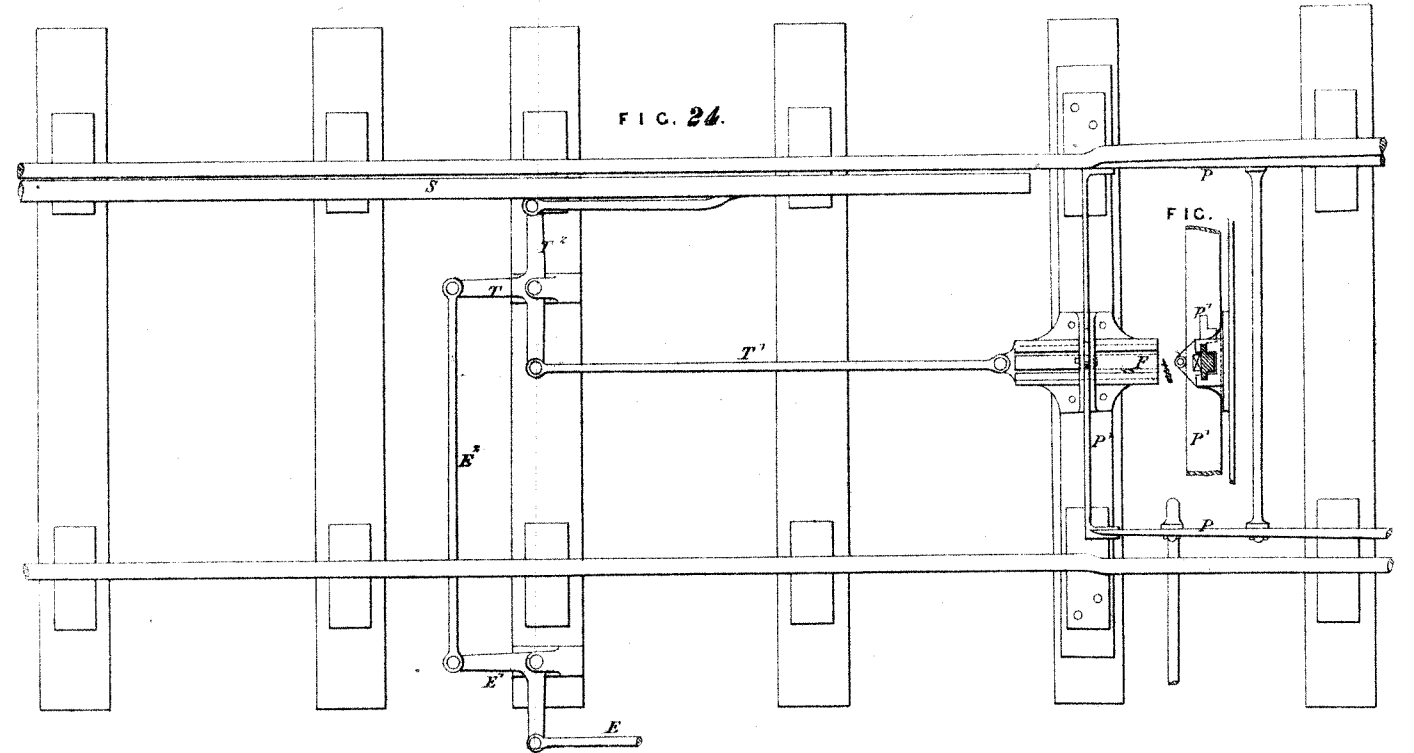


FIG. 18.

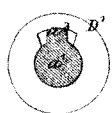


FIG. 17.

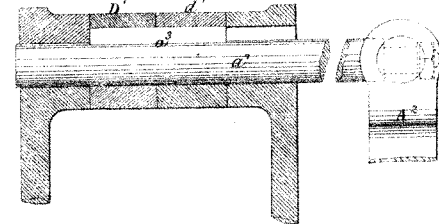


FIG. 16.

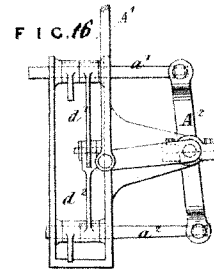


FIG. 27.

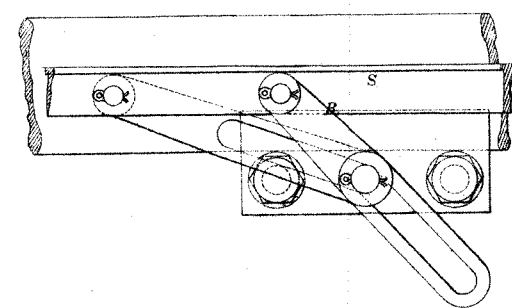


FIG. 28.

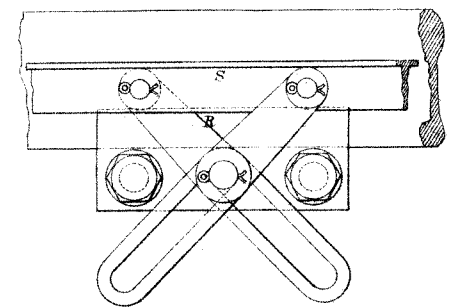


FIG. 29.

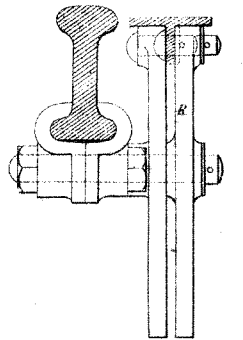


FIG. 26.

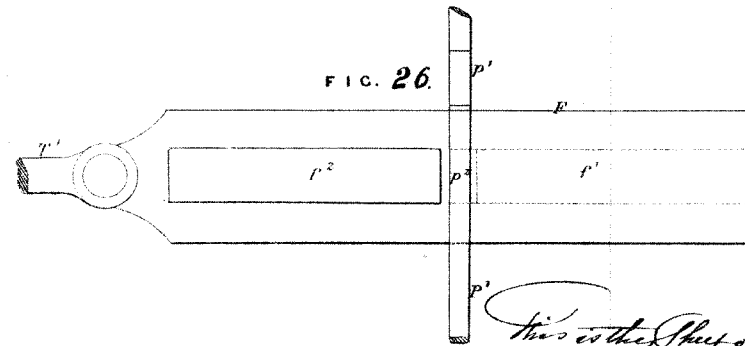


FIG. 21.

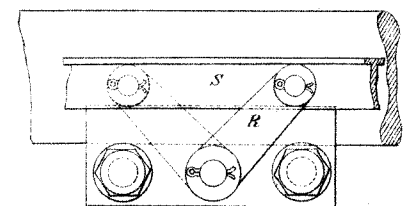
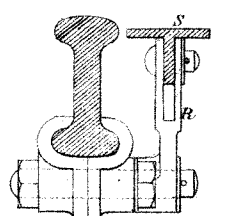


FIG. 22.



(225-)

This is the Sheet of Drawings marked B, referred to in the aforesaid Letters of Specification granted to John Saxby and John Stinson Farmer this Twenty-fourth day of April 1876
Hercules Robinson

[67]



A.D. 1876, 28th April. No. 522.

IMPROVEMENTS IN PRINTING AND EMBOSSED MACHINES.

LETTERS OF REGISTRATION to Edward Hely, for Improvements in Printing and Embossing Machines.

[Registered on the 29th day of April, 1876, in pursuance of the Act 16 Vic. No. 24.]

BY HIS EXCELLENCY SIR HERCULES GEORGE ROBERT ROBINSON, Knight Grand Cross of the Most Distinguished Order of Saint Michael and Saint George, Governor and Commander-in-Chief of the Colony of New South Wales and its Dependencies, and Vice-Admiral of the same.

TO ALL TO WHOM THESE PRESENTS SHALL COME, greeting:

WHEREAS EDWARD HELY, of the city and county of Dublin, in the Kingdom of England, envelope manufacturer, hath by his Petition humbly represented to me that he is the author or designer of a certain invention or improvement in manufactures, that is to say, of an invention for "Improvements in Printing and Embossing Machines," which is more particularly described in the specification and sheet of drawings which are hereunto annexed; and that he, the said Petitioner, hath deposited with the Honorable the Treasurer of the said Colony of New South Wales the sum of Twenty Pounds sterling, for defraying the expense of granting these Letters of Registration, as required by the Act of Council, sixteenth Victoria, number twenty-four; and hath humbly prayed that I would be pleased to grant Letters of Registration, whereby the exclusive enjoyment and advantage of the said invention or improvement might be secured to him for a period of fourteen years: And I, being willing to give encouragement to all inventions or improvements in the arts or manufactures which may be for the public good, and having received a report favourable to the prayer of the said Petition, from competent persons appointed by me to examine and consider the matters stated therein, and to report thereon for my information, am pleased, with the advice of the Executive Council, and in exercise of the power and authority given to me by the said Act of Council, to grant, and do by these Letters of Registration grant unto the said Edward Hely, his executors, administrators, and assigns, the exclusive enjoyment and advantage of the said invention or improvement for and during the term of fourteen years from the date hereof, to have, hold, and exercise unto the said Edward Hely, his executors, administrators, and assigns, the exclusive enjoyment and advantage thereof, for and during and unto the full end and term of fourteen years from the date of these presents next and immediately ensuing, and fully to be complete and ended: Provided always, that if the said Edward Hely shall not, within three days after the granting of these Letters of Registration, register the same in the proper office of the Supreme Court, at Sydney, in the said Colony of New South Wales, then these Letters of Registration, and all advantages whatsoever hereby granted, shall cease and become void.

In witness whereof, I have hereunto set my sign manual, and have caused the present Letters of Registration to be sealed with the seal of the said Colony of New South Wales, at Government House, Sydney, in New South Wales, this twenty-eighth day of April, in the year of our Lord one thousand eight hundred and seventy-six.

(L.S.)

HERCULES ROBINSON.

Improvements in Printing and Embossing Machines.

SPECIFICATION.

TO ALL TO WHOM IT MAY CONCERN :

BE it known that I, EDWARD HELY, of the city and county of Dublin, in the Kingdom of Ireland, have invented new and useful improvements in printing and embossing machines, which improvements are fully set forth in the accompanying specification.

This invention relates to improvements in printing and embossing machinery, for printing or embossing rapidly and accurately, and at a very small cost for plant, bill heads, letter paper, envelopes blanks, et cetera, and in such manner that several different colours can, if desirable, be combined in the device with perfect accuracy.

In the drawings hereunto annexed similar letters of reference indicate like parts. In these A is the bed-plate, BB⁴ vertical guides, adjustable thereon, and attached thereto by means of bolts, for firmly securing the pile of cut envelope blanks or other stationery requiring printing; CC¹ the framework of the machine; D lever, connecting it with a treadle for working it; E sliding piece, working vertically in bearings, so as to secure rigid accuracy of descent; F stirrup, continuation of slide, carrying the machinery; G a metallic cylinder, preferably brass, rigidly connected to the stirrup, F, by axle, J, and pin, H, and carrying in a recess in its lowest part the block of type or other device to be set off on the paper; II are frames at opposite ends of the cylinder, G, outside the stirrup, F, and free to rotate on the main axle, J, subject to the restricting action of the pin, K, in the slot, L, of the subsidiary frame or bracket, C¹; M is another pair of frames inside the stirrup, F, but rigidly screwed to the frames, II at N. O is the ink trough securely fixed to the cylinder, G, and containing metallic roller, P, upon which is keyed the ratchet arrangement, Q. The machine is so weighted as to stand naturally in the position shown in the drawing. The treadle being depressed, the slide, E, and stirrup, F, descend, carrying the axle, J, along with them, but the pin, K, being obliged to traverse the slot, L, causes the frames I and M to revolve round the cylinder until the pin, K, reaches the vertical part of slot, L, when all motion ceases, except the vertical one. At this point the frames, M, have rotated far enough for the first inking roller, Q, to touch the feed roller, P. The treadle being released the whole flies back to the normal position. The tappet, S, now comes in contact with the wheel, R, and is depressed thereby, causing the ratchet to revolve through the space of one tooth, and thus place a fresh portion of the inky feed roller uppermost to be touched on the next stroke by the roller, Q. In this way the roller, Q, at each stroke takes up a fresh quantity of ink, and spreads it as it revolves over the polished surface of the cylinder, G. Rollers Q¹ and Q² continue the operation of spreading. The next roller, T, is placed slightly askew, and tends still further to spread the ink evenly. It is again followed by the rollers, U U, which ink the type in the block shown in dotted lines in fig. 2 at V. The various rollers, Q, T, U, et cetera, have bearings sliding in slots in the frames, and to keep them firmly bearing against the cylinder, G, and block, W, wire rings or hooks are placed round the continuations of the axles, and are fastened to the pins, V V, by means of elastic bands (these latter are omitted in the drawings, except in the case of roller Q¹ in fig. 2, so as not to unnecessarily complicate the drawings). I make the slot in which the roller, Q, works larger in breadth than the axle, and adjust the pawl, X, bearing against it by means of the spring, Y, so as to allow a little play and insure the contact of the two rollers Q and P every time, even when they have become worn. All the rollers are made of the usual composition of which inking rollers are composed, and with a metallic core, except in the case of the metallic feed roller, P, which is entirely brass. A metallic plate, Z, is placed on the trough, O, almost in contact with P, and adjustable so as to regulate the thickness of ink taken up by roller, P, and also to keep dust, et cetera, from falling into the ink trough. The ratchet pawl, S, is prevented from rising higher than the horizontal position when not in contact with the pulley, R, by means of two catches, a and b, on the ratchet, S, and the ink trough, O, and shown in figs. 1 and 3. If at any time too much ink is being fed to the machine, the supply can at any time be temporarily cut off, by placing the ratchet catch in a vertical position, the end, S, being lowest. Before commencing printing operations, a pile of blanks to be printed, d, fig. 2, all cut to exactly the same size, is so adjusted that the block of type or device shall print in the right place; the 4 guides, BB, fig. 2, are then screwed down, so as to prevent the possibility of lateral motion in the pile of blanks and the attendant works, the treadle pulling off the top paper printed after each stroke. To use the machine for a different colour, all that is wanted is to clean or change the block, wipe the cylinder, G, and put a fresh set of rollers and ink trough on. It is found, however, in practice that a fresh machine for each colour is the best plan; and in printing a device of several colours all that is required is to get the first impression for each colour to exactly fit, and all future ones will do so. Whenever the pile of blanks gets low, the attendant puts a lot more on, so as always to have a pile sufficiently thick to be slightly compressible, and when all the blanks but the bottom ones are printed a few of the already printed ones can be placed below the remaining ones to raise them up. I sometimes arrange the machine to print two or more colours at the same time on different parts of the same sheet. This is effected by putting divisions in the ink trough, and dividing the rollers into two or more lengths, by means of cuts or grooves extending nearly to the metal core. In each division of the trough a different coloured ink is placed. I claim as my invention—

1. The combination in a printing machine of a cylindrical inking table, G, with the block, W, and the rollers, P, Q, T, U, et cetera.
2. The combination in a printing machine of a cylindrical inking table, G, with the vertical slide, E, causing the block, W, to descend vertically.
3. The combination of the axle, J, the pin, K, traversing slot, L, with the frames, M and I, so as to give to the said frames the requisite circular and vertical motion.
4. The combination of the guides, B, with the bed-plate, A, and the printing block or type, W, obliged always to descend in the same vertical line for printing envelope blanks, bill heads, and other stationery, previously cut to a uniform shape.
5. The combination of the metallic inking roller, P, the ink trough, O, the ratchet arrangement, S, and the roller or stop, P.

Improvements in Printing and Embossing Machines.

6. The mode of keeping the rollers, Q', et cetera, continually against the inking table by means of elastic connections and pins, V, for the purposes described.
7. The mode of ensuring contact between the roller, Q, and the inking roller, P, by means of the pawl, X, and the spring, V.
8. The combination in a treadle worked printing machine of the sliding piece, E, with the lever, D, projecting backward to connect with the treadle below, so as to leave the table, A, unimpeded, to allow free range for the operator's arms.
9. The mode of printing with two colours at the same time, as shown in the paragraph immediately preceding the claims.

Witness my hand and seal this second day of December, 1875.

EDWARD HELY. (L.S.)

Witness—F. C. BARKER, Abbeyview, Dalkey, County Dublin.

This is the specification referred to in the annexed Letters of Registration, granted to Edward Hely, this twenty-eighth day of April, 1876.

HERCULES ROBINSON.

REPORT.

SIR,

Sydney, 5 April, 1876.

We do ourselves the honor to return to you the documents transmitted under your B.C. communication of the 20th ultimo, No 761/1,953, for our report, and which have reference to Mr. Edward Hely's application for Letters of Registration "for an invention for Improvements in Printing and Embossing Machines," and to inform you that on examination of Mr. Hely's petition, drawings, specification, and claim, we see no objection to the issue of Letters of Registration in accordance therewith.

We have, &c.,

GOTHER K. MANN.
THOS. RICHARDS.

THE PRINCIPAL UNDER SECRETARY.

[Drawings—one sheet.]

The first part of the document
 discusses the general principles
 of the proposed system.
 It is intended to provide a
 clear and concise summary
 of the main points.
 The second part of the document
 contains a detailed description
 of the various components
 and their functions.
 This section is intended to
 provide a comprehensive
 overview of the system's
 architecture and design.
 The final part of the document
 discusses the implementation
 and testing procedures.
 It includes a list of the
 resources used and a
 bibliography of the relevant
 literature.

copy

[N° 522]

Fig. 2.

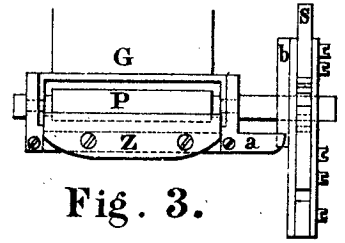
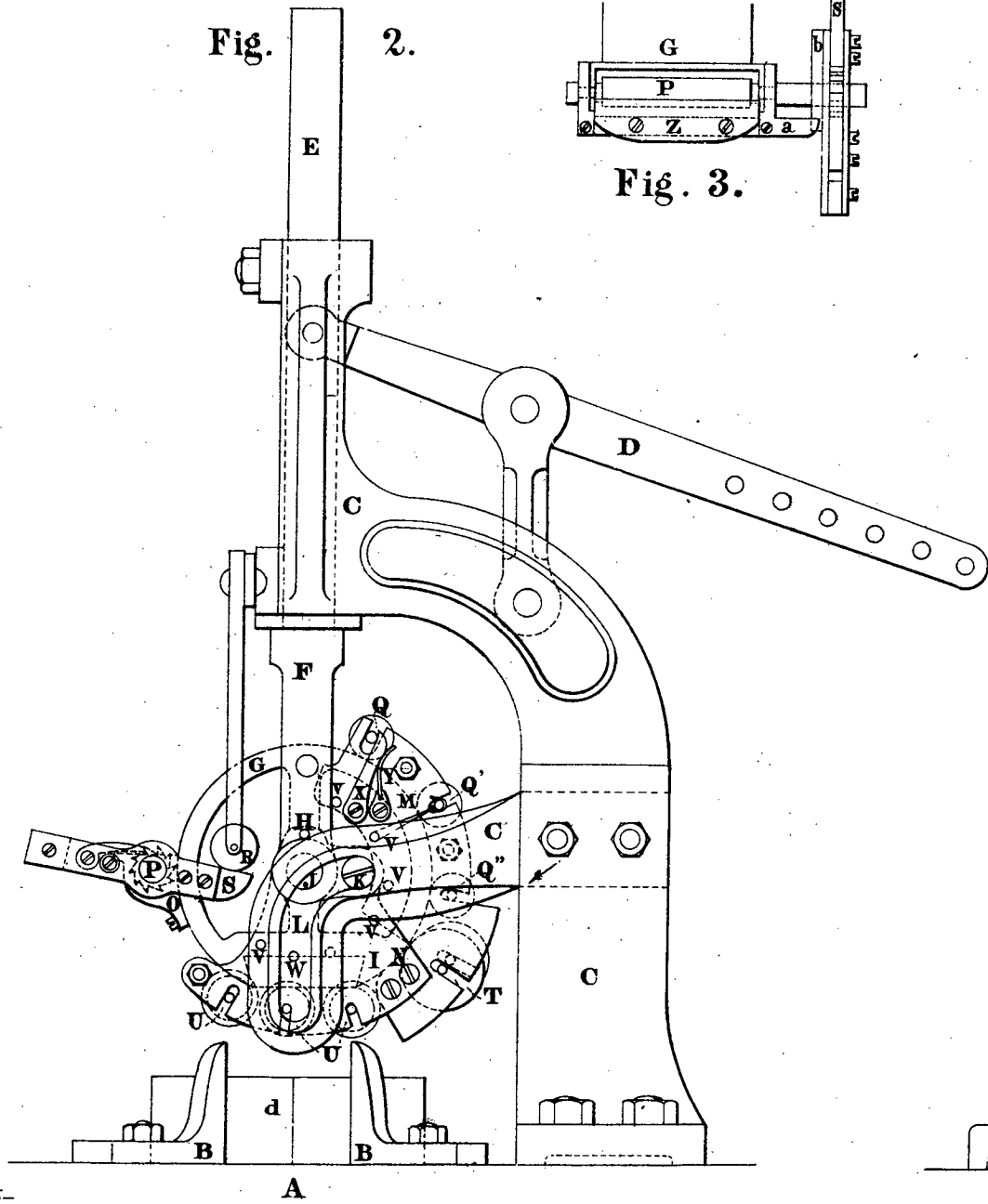
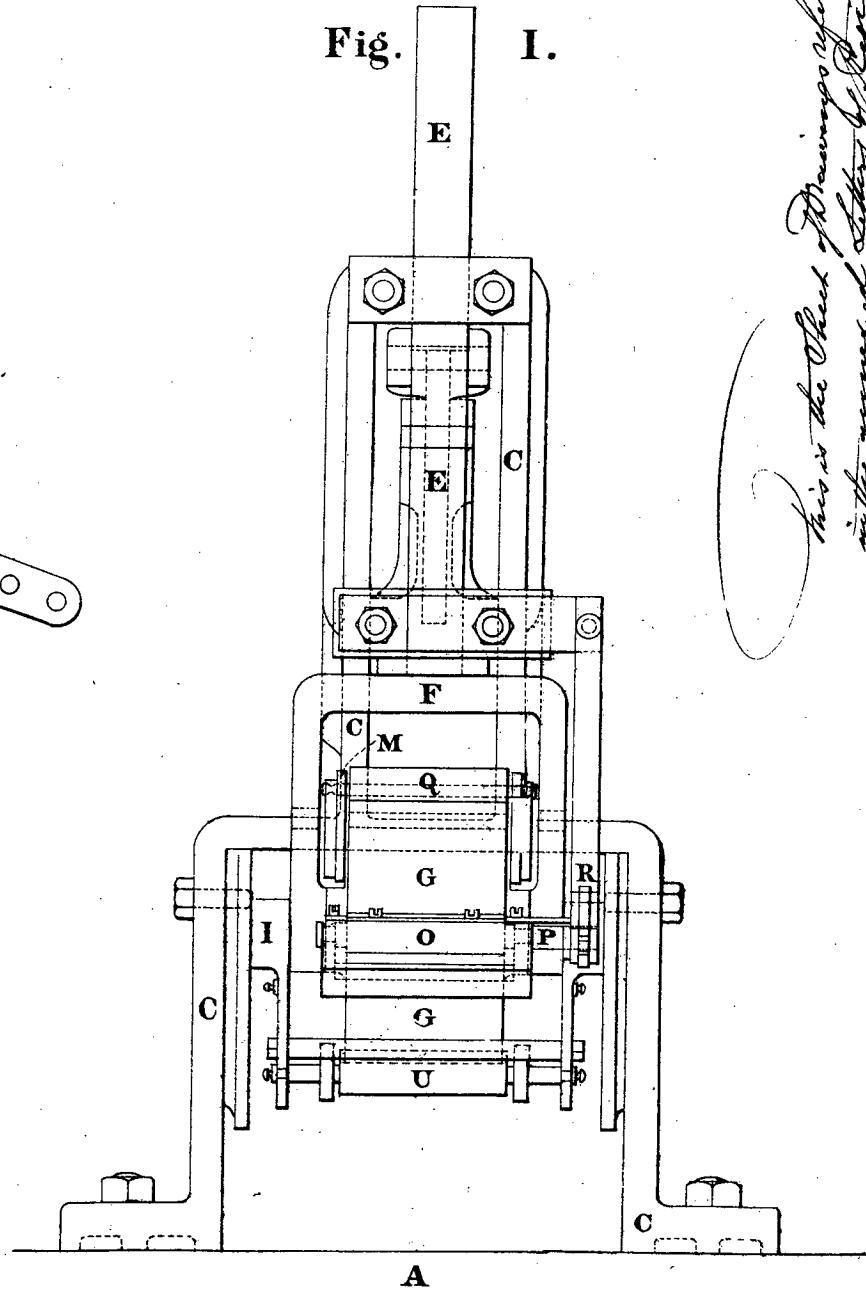


Fig. 3.

Fig. 1.



*This is the Chief Drawings referred to
in the unexpired Letters of Registration
granted to Edward Kelly his assigns
sayy April 1876*

Charles Johnson

PHOTO-LITHOGRAPHED AT THE GOVT. PRINTING OFFICE,
SYDNEY, NEW SOUTH WALES.

[71]



A.D. 1876, 3rd May. No. 523.

ANGUS'S SHAFT OR POLE DETACHER.

LETTERS OF REGISTRATION to William Thomas Angus, for an Invention or Improvement in the construction of vehicles, and for the more rapid and easy detaching of the shafts of vehicles.

[Registered on the 4th day of May, 1876, in pursuance of the Act 16 Vic. No. 24.]

BY HIS EXCELLENCY SIR HERCULES GEORGE ROBERT ROBINSON, Knight Grand Cross of the Most Distinguished Order of St. Michael and St. George, Governor and Commander-in-Chief of the Colony of New South Wales and its Dependencies, and Vice-Admiral of the same.

TO ALL TO WHOM THESE PRESENTS SHALL COME, greeting :

WHEREAS WILLIAM THOMAS ANGUS, of Castlereagh-street, in the city of Sydney, in the Colony of New South Wales, coachbuilder, hath by his Petition humbly represented to me that he is the author or designer of a certain invention or improvement in manufactures, that is to say, of an invention styled "Angus's Shaft or Pole Detacher," which is more particularly described in the specification and drawing which are hereunto annexed; and that he, the said Petitioner, hath deposited with the Honorable the Treasurer of the said Colony of New South Wales the sum of Twenty Pounds sterling, for defraying the expense of granting these Letters of Registration, as required by the Act of Council, sixteenth Victoria, number twenty-four; and hath humbly prayed that I would be pleased to grant Letters of Registration, whereby the exclusive enjoyment and advantage of the said invention or improvement might be secured to him for a period of fourteen years: And I, being willing to give encouragement to all inventions and improvements in the arts or manufactures which may be for the public good, and having received a report favourable to the prayer of the said Petition from competent persons appointed by me to examine and consider the matters stated therein, and to report thereon for my information, am pleased, with the advice of the Executive Council, and in exercise of the power and authority given to me by the said Act of Council, to grant, and do by these Letters of Registration grant unto the said William Thomas Angus, his executors, administrators, and assigns, the exclusive enjoyment and advantage of the said invention or improvement, for and during the term of fourteen years from the date hereof: to have, hold, and exercise unto the said William Thomas Angus, his executors, administrators, and assigns, the exclusive enjoyment and advantage thereof, for and during and unto the full end and term of fourteen years from the date of these presents next and immediately ensuing, and fully to be complete and ended: Provided always, that if the said William Thomas Angus shall not, within three days after the granting of these Letters of Registration, register the same in the proper office in the Supreme Court, at Sydney, in the said Colony of New South Wales, then these Letters of Registration, and all advantages whatsoever hereby granted, shall cease and become void.

In witness whereof, I have hereunto set my sign manual, and have caused the present Letters of Registration to be sealed with the seal of the said Colony of New South Wales, at Government House, Sydney, in New South Wales, this third day of May, in the year of our Lord one thousand eight hundred and seventy-six.

(L.S.)

HERCULES ROBINSON.

Angus's Shaft or Pole Detacher.

SPECIFICATION.

WHERE the shafts are usually attached to the vehicle, two bolts are passed through secured by nuts. The petitioner's plan is to pass a steel rod, marked A on plan, of one length through the usual place of the connecting bolts, as well as through two other eyes, B on plan, fixed to the front axle bed; the steel rod, A, has shoulders, C, bearing on one side of shaft connection, and two other shoulders, D, to give a bearing for two pieces of indiarubber, E, that it passes through, to give the requisite force to keep the rod, A, in its place; in the centre of the rod, A, a stay, F, is fixed at a right angle and passing up through a hole in an arm, G, that is fixed to the perch or king bolt, H, in front and between the two beds, which bolt is lengthened so as to pass up a few inches into the front part of the body of the conveyance, just where the feet of a person using it are placed, and having a square end, to which is fitted an iron lever, I, six inches or more long (which can be removed whenever desired). By pressing the foot against this lever, I, the perch or king bolt, H, is turned, and the arm, G, forces the bolt or rod, A, clear out of the shafts or pole, which are then free.

The petitioner claims for this plan the great advantage of easily detaching the horse from the vehicle, when running away or unmanageable, giving a greater security from risk of serious accident on such occasions; also, the advantage of simply and instantaneously removing the shafts or pole when it is desired to substitute the one for the other, or where the coachhouse is small; also, a greater security against accidents arising from the bolts being improperly fastened, and in consequence falling out. The expense also will be but trifling, and, with very slight modifications, the invention or improvement can be applied to any vehicle.

W. T. ANGUS.

This is the specification referred to in the annexed Letters of Registration, granted to William Thomas Angus this third day of May, 1876.

HERCULES ROBINSON.

REPORT.

SIR,

In the matter of the application of Mr. William Thomas Angus for Letters of Registration for an invention or improvement in the construction of vehicles, and for the more rapid and easy detaching of the shafts of vehicles, which has been referred to us, we have examined the specification and drawings accompanying the same, and have now the honor to report that we see no objection to the issue of Letters of Registration as prayed for.

Sydney, 12 April, 1876.

We have, &c.,

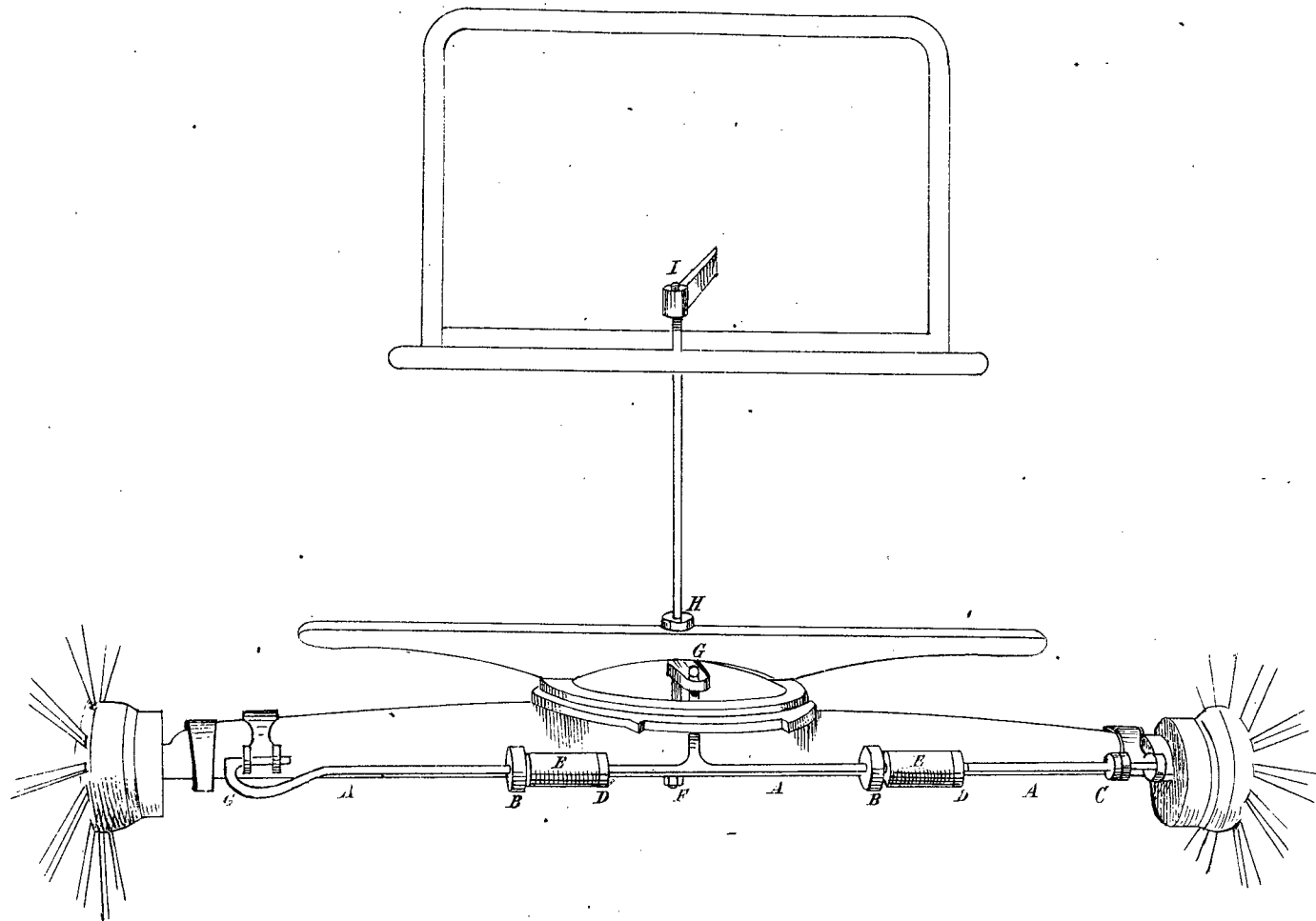
JOHN WHITTON,
E. O. MORIARTY.

THE PRINCIPAL UNDER SECRETARY.

[Drawing—one sheet.]

(Copy)

[523]



*This is the Drawing which is referred to in the annexed
Letters of Registration granted to William Thomas
Angus, this third day of May, 1876.*

W. T. Angus

Hercules Robinson.



A.D. 1876, 3rd May. No. 524.

IMPROVEMENTS IN APPARATUS FOR WASHING COAL SLACK.

LETTERS OF REGISTRATION to Edward Taylor, William Brown, and Peter Langwill, for Improvements in Apparatus for Washing Coal Slack.

[Registered on the 4th day of May, 1876, in pursuance of the Act 16 Vic. No. 24.]

BY HIS EXCELLENCY SIR HERCULES GEORGE ROBERT ROBINSON, Knight Grand Cross of the Most Distinguished Order of Saint Michael and St. George, Governor and Commander-in-Chief of the Colony of New South Wales and its Dependencies, and Vice-Admiral of the same.

TO ALL TO WHOM THESE PRESENTS SHALL COME, greeting :

WHEREAS EDWARD TAYLOR, of Melbourne, in the Colony of Victoria, engineer, WILLIAM BROWN, of Melbourne aforesaid, engineer, and PETER LANGWILL, of Melbourne aforesaid, merchant, have by their Petition humbly represented to me that they are the authors or designers of a certain invention or improvement in manufactures, that is to say, of an invention for "Improvements in Apparatus for Washing Coal Slack," which is more particularly described in the specification and sheet of drawings which are hereunto annexed ; and that they, the said Petitioners, have deposited with the Honorable the Treasurer of the said Colony of New South Wales the sum of Twenty Pounds sterling, for defraying the expense of granting these Letters of Registration, as required by the Act of Council, sixteenth Victoria number twenty-four ; and have humbly prayed that I would be pleased to grant Letters of Registration, whereby the exclusive enjoyment and advantage of the said invention or improvement might be secured to them for a period of fourteen years : And I, being willing to give encouragement to all inventions and improvements in the arts or manufactures which may be for the public good, and having received a report favourable to the prayer of the said Petition, from competent persons appointed by me to examine and consider the matters stated therein, and to report thereon for my information, am pleased, with the advice of the Executive Council, and in exercise of the power and authority given to me by the said Act of Council, to grant, and do by these Letters of Registration grant unto the said Edward Taylor, William Brown, and Peter Langwill, their executors, administrators, and assigns, the exclusive enjoyment and advantage of the said invention or improvement, for and during the term of fourteen years from the date hereof : to have, hold, and exercise unto the said Edward Taylor, William Brown, and Peter Langwill, their executors, administrators, and assigns, the exclusive enjoyment and advantage thereof, for and during and unto the full end and term of fourteen years from the date of these presents next and immediately ensuing, and fully to be complete and ended : Provided always that if the said Edward Taylor, William Brown, and Peter Langwill shall not, within three days after the granting of these Letters of Registration, register the same in the proper office in the Supreme Court at Sydney, in the said Colony of New South Wales, then these Letters of Registration, and all advantages whatsoever hereby granted, shall cease and become void.

In witness whereof, I have hereunto set my sign manual, and have caused the present Letters of Registration to be sealed with the seal of the said Colony of New South Wales, at Government House, Sydney, in New South Wales, this third day of May, in the year of our Lord one thousand eight hundred and seventy-six.

(L.S.)

HERCULES ROBINSON.

Improvements in Apparatus for Washing Coal Slack.

SPECIFICATION for an invention intituled "Improvements in Apparatus for Washing Coal Slack."

WE, EDWARD TAYLOR, of Melbourne, in the Colony of Victoria, engineer, WILLIAM BROWN, of Melbourne aforesaid, engineer, and PETER LANGWILL, of Melbourne aforesaid, merchant, do hereby declare that the nature of our said invention, and the manner in which the same is to be performed, to be particularly described and ascertained in and by the following statement, that is to say:—

This invention relates to apparatus for washing coal slack for making coke, and consists of certain improvements upon the machinery or apparatus at present employed for washing such slack, by means of a current of water forced upwards by the aid of pistons or plungers through perforated sieves.

In the first place, we provide the said pistons or plungers with clacks or valves to prevent the back suction as the pistons rise. Secondly, we carry the water supply pipes round the sides of the "bashes" underneath the sieves, and perforate the same so as to distribute the water and keep the sides of the "bashes" clean. Thirdly, we make the slides or valves for removing the dirt from the bottom of the "bashes" self-acting, by connecting them to cranks by means of rods in such a manner that any one or more of the slides can be disconnected or connected at pleasure; or in some cases we work them by hand, by means of levers so placed that the operator can work them without moving from his position near the sluice. Fourthly, we attach to the interior of the door of the "bashes" a scraper which can be worked from the outside, by means of which the dirt or sediment at the bottom of the "bashes" may be stirred, and the quantity and condition thereof ascertained or felt from the outside of the "bashes" without opening the same. Fifthly, we cover or protect the wire sieve on the overflow shoot through which the water escapes with a perforated shield or cover, to prevent the slack passing over from rubbing and wearing the same. When the perforated cover becomes worn it can easily be replaced. Sixthly, between the sieves and the overflow shoot we place sluices, sliding between two planed surfaces, and raised and lowered by means of a hand wheel and screw at each end. Seventhly, we provide each sieve with a scraper, by means of which the heavy dirt which is too large to pass through the sieve can be drawn or scraped off the surface of the sieve towards the sluice when required to clear the sieve. Eighthly, instead of running the water from the overflow shoot (which contains a large amount of coal dust) into filter beds, we pump it up into a cistern, where it passes through a filter plate or division, whence it flows into the supply shoot, and is returned with the fresh slack into the "bashes" above the sieve; and it is thus used over and again, whilst the clear water only that passes through the filter partition is supplied to the "bashes" beneath the sieves.

Such being the nature and object of our said invention for "Improvements in Apparatus for washing coal slack," we will now proceed to describe more in detail the manner in which the same is to be or may be performed or carried into practical effect; and in order that the same may be clearly understood, we have annexed hereunto a sheet of drawings illustrative thereof, and have marked the same with figures and letters of reference corresponding with those in the following explanation thereof:—

In the annexed drawing figure 1 is a sectional elevation, and figure 2 a plan view of so much of the coal slack washing machine as is necessary to illustrate the application of our improvements thereto. *aa* is a framing of the apparatus, *bb* the "bashes," *cc* the sieves, *dd* the cylinders, and *ee* the pistons or plungers. We provide the latter with clack, *ff*, in order to prevent their suction when rising from drawing slack down through the sieves *cc* with the dirt. *gg* are the water supply pipes, which are perforated and carried round the sides of the "bashes," so as to keep the sides of the "bashes" clean, and distribute the supply in such a manner as to cover the whole of the under surface of the sieves with water moving in the required direction, but without too much force on any particular part. At the bottom of the "bashes" are the slides or valves, *hh*, for drawing off the dirt. These slides may be made self-acting by connecting them to a revolving crank shaft, *ii*, by the rods *kk*, which latter are hinged and provided with notches so that any slide can be disconnected at pleasure by raising its rod on the hinge as shown at figure 3, and reconnected by merely lowering the rod. If the slides *hh* are not required to be self-acting, we work them by rods, *mm*, attached to levers, *nn*, the handles of which are within reach of the operator as he stands beside the sluices, as shown at figure 1. *oo* are the agitators attached to the man-hole doors *pp* of the "bashes," and provided with winch handles, *qq*, for ascertaining the quantity or condition of the dirt or sediment in the "bashes" without opening the doors. *rr* is the overflow shoot. The fine wire sieve *ss*, of which we protect with a perforated plate, *tt*, to prevent the large pieces of slack from damaging the sieve, and thus lessen the waste of slack which always takes place on the slightest injury to the wire gauze. *uu* are the sluices which work between two planed surfaces, *vv*, to prevent the slack from passing away or the grit from getting between the working surfaces, and we employ two screws, *ww*, so that either end of the sluice can be raised or lowered separately (see front view, figure 4). *xx* are the scrapers raised about two inches above the surface of the sieve, by means of which the operator can, with comparatively little trouble, keep the dirt accumulating on the sieve at the desired minimum (see figures 8 and 9). The water from the overflow shoot *rr* is pumped up into a cistern, *yy*, placed above (see detached views, figures 5, 6, and 7). This water, which carries with it a considerable amount of fine coal dust, enters the chamber *zz* of the cistern by the pipe 1 1, and the clear water passes through the filter plate 2 2 into the outer part of the cistern which supplies the perforated pipe *gg* below the sieves, whilst the other portion of the water which contains the coal dust passes by the pipe 3 3 into the shoot which conducts the unwashed coal slack to the machine, and thus the necessity for the filter beds usually employed for this purpose is dispensed with. In some cases instead of having a filtering plate 2 2 we make the sides of the chamber *zz* lower than those of the cistern, and the water passing downwards under the division plate 4 4, the thicker part remains at the bottom of the chamber, and the clear water overflows the sides of the chamber into the cistern.

Having now described the nature and object of our said invention for "Improvements in apparatus for washing coal slack," together with the manner in which the same is to be or may be performed or carried into practical effect, we wish it to be understood that we claim as our invention the several improvements in coal slack washing machines hereinbefore described and illustrated in the accompanying drawings, or any mere modification or imitation thereof, constructed and operating in substantially the same or a similar manner.

In

A.D. 1876. No. 524.

75

Improvements in Apparatus for Washing Coal Slack.

In witness whereof, we, the said Edward Taylor, William Brown, and Peter Langwill, have hereunto set our hands and seals, this third day of April, one thousand eight hundred and seventy-six.

EDWARD TAYLOR. (L.S.)
WILLIAM BROWN. (L.S.)
P. LANGWILL. (L.S.)

Signed, sealed, and delivered by the said Edward Taylor, William Brown, and Peter Langwill, in the presence of—

ALFRED FORD, Notary Public,
Chancery Lane, Melbourne.

This is the specification referred to in the annexed Letters of Registration granted to Edward Taylor, William Brown, and Peter Langwill, this third day of May, 1876.

HERCULES ROBINSON.

REPORT.

SIR,

Sydney, 18 April, 1876.

We do ourselves the honor to return to you the documents transmitted for our report under your B.C. communication of the 10th instant, No. 76/2540, which have reference to the Petition of Messrs. Edward Taylor, William Brown, and Peter Langwill for Letters of Registration for "an invention for Improvements in Apparatus for Washing Coal Slack"; and we have to state that we see no objection to the issue of the Letters of Registration asked for in terms of their Petition and claim.

We have, &c.,

GOTHER K. MANN.
E. C. CRACKNELL.

THE PRINCIPAL UNDER SECRETARY.

[Drawings—one sheet.]

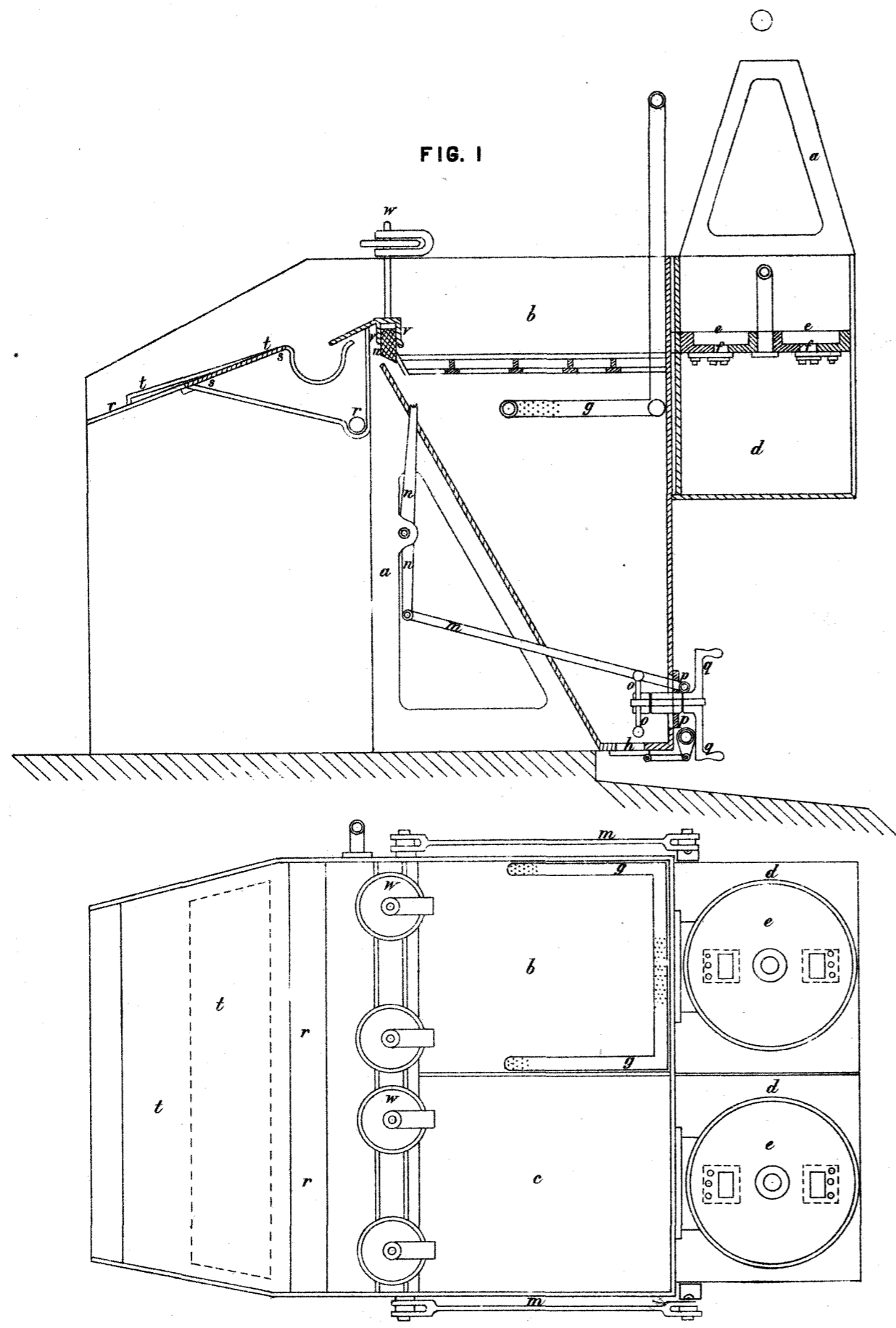


FIG. 1

FIG. 2

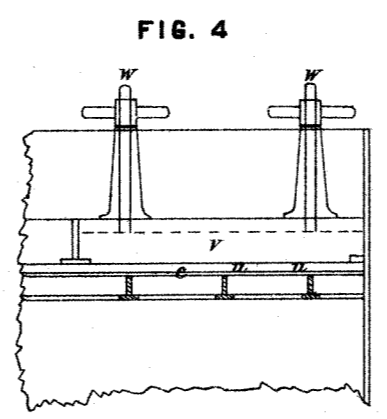


FIG. 4

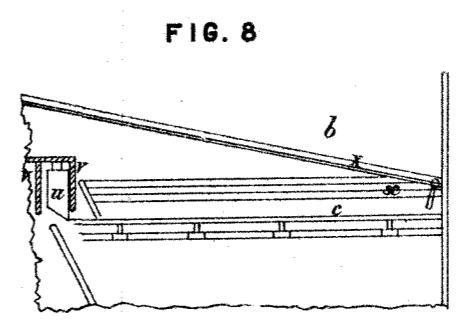


FIG. 8

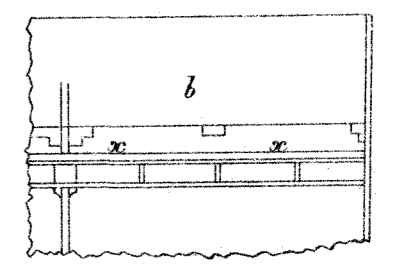


FIG. 9

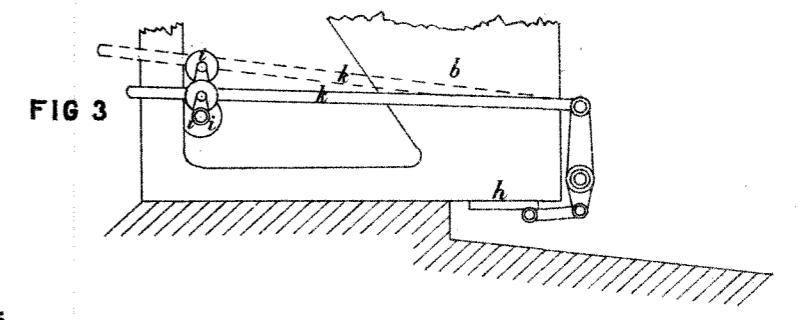


FIG. 3

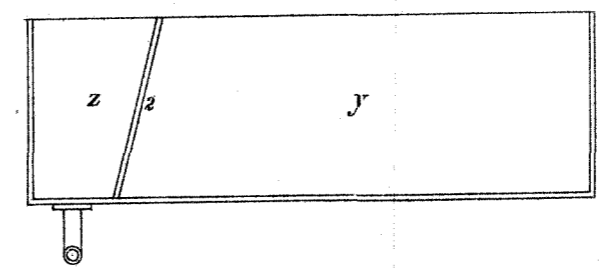


FIG. 5

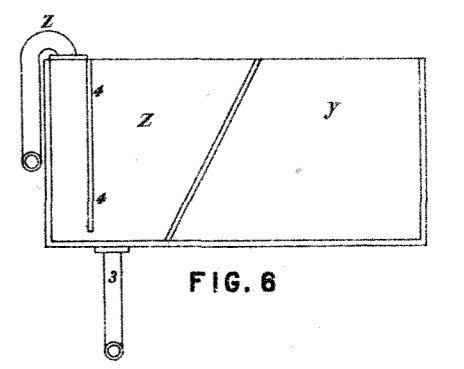


FIG. 6

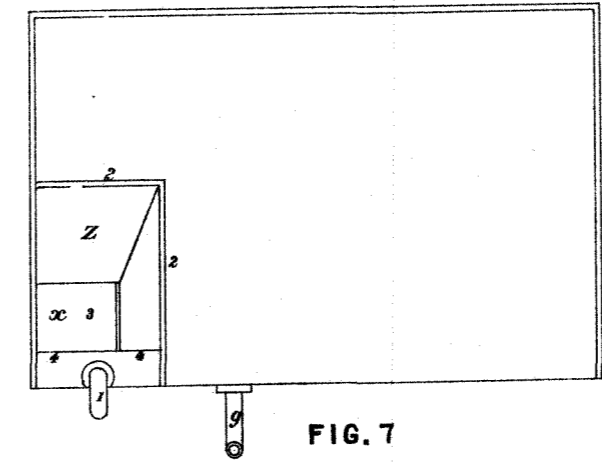


FIG. 7

This is the Sheet of Drawings referred to in the annexed Letters of Registration granted to Edward Taylor, William Brown, and Peter Langwill, this third day of May 1876.

PHOTO-LITHOGRAPHED AT THE GOVT. PRINTING OFFICE, SYDNEY, NEW SOUTH WALES

Hercules Robinson.

[77]



A.D. 1876, 3rd May. No. 525.

MACHINE FOR PRESSING AND CUTTING TOBACCO.

LETTERS OF REGISTRATION to Hugh Dixson, the younger, for a Machine for the purpose of pressing and cutting Tobacco.

[Registered on the 4th day of May, 1876, in pursuance of the Act 16 Vic. No. 24.]

BY HIS EXCELLENCY SIR HERCULES GEORGE ROBERT ROBINSON, Knight Grand Cross of the Most Distinguished Order of Saint Michael and Saint George, Governor and Commander-in-Chief of the Colony of New South Wales and its Dependencies, and Vice-Admiral of the same.

TO ALL TO WHOM THESE PRESENTS SHALL COME, greeting :

WHEREAS HUGH DIXSON, the younger, of number 193, York-street, in the City of Sydney, in the Colony of New South Wales, tobacco manufacturer, hath by his Petition humbly represented to me that he is the author or designer of a certain invention or improvement in manufactures, that is to say, of an invention of a machine for the purpose of pressing and cutting Tobacco into what are variously called nips, brakes, plugs, and cakes, of any required area and thickness, which is more particularly described in the specification and sheet of drawings which are hereunto annexed; and that he, the said Petitioner hath deposited with the Honorable the Treasurer of the said Colony of New South Wales the sum of Twenty Pounds sterling, for defraying the expense of granting these Letters of Registration, as required by the Act of Council, sixteenth Victoria, number twenty-four; and hath humbly prayed that I would be pleased to grant Letters of Registration, whereby the exclusive enjoyment and advantage of the said invention or improvement might be secured to him for a period of fourteen years: And I, being willing to give encouragement to all inventions and improvements in the arts or manufactures which may be for the public good, and having received a report favourable to the prayer of the said Petition from competent persons appointed by me to examine and consider the matters stated therein, and to report thereon for my information, am pleased, with the advice of the Executive Council, and in exercise of the power and authority given to me by the said Act of Council, to grant, and do by these Letters of Registration grant unto the said Hugh Dixson, his executors, administrators, and assigns, the exclusive enjoyment and advantage of the said invention or improvement for and during the term of fourteen years from the date hereof: to have, hold, and exercise unto the said Hugh Dixson, his executors, administrators, and assigns, the exclusive enjoyment and advantage thereof, for and during and unto the full end and term of fourteen years from the date of these presents next and immediately ensuing, and fully to be complete and ended: Provided always, that if he, the said Hugh Dixson, shall not, within three days after the granting of these Letters of Registration, register the same in the proper office in the Supreme Court, at Sydney, in the said Colony of New South Wales, then these Letters of Registration, and all advantages whatsoever hereby granted, shall cease and become void.

In witness whereof, I have hereunto set my sign manual, and have caused the present Letters of Registration to be sealed with the seal of the said Colony of New South Wales, at Government House, Sydney, in New South Wales, this third day of May, in the year of our Lord one thousand eight hundred and seventy-six.

(L.S.)

HERCULES ROBINSON.

Machine for the purpose of Pressing and Cutting Tobacco.

TO ALL TO WHOM IT MAY CONCERN, I, HUGH DIXSON, the younger, of 193, York-street, Sydney, in the Colony of New South Wales, tobacco manufacturer, send greeting :

WHEREAS I am in possession of an invention for improvements in manufacturing what is technically called nips, brakes, plugs, and cakes of tobacco, and have petitioned His Excellency the Governor of the Colony of New South Wales to grant unto me, my executors, administrators, and assigns, Letters of Registration for the same: Now know ye that I, the said Hugh Dixson, the younger, do hereby declare that the following specification fully describes and ascertains the nature of the said invention, and the manner in which the same is to be worked, that is to say:—

The chief object of this invention is for the purpose of pressing and cutting tobacco into what is variously termed nips, brakes, plugs, and cakes, of any required area and thickness. For this purpose a pair of rollers are provided, between which the tobacco passing is pressed into a continuous ribbon, being fed on the one side by a belt or belts working in a trough; the tobacco then, having passed between the rollers, is on the discharging side of the rollers cut into the lengths required by knives set there for that purpose, and which lengths or pieces are what are designated above nips, brakes, plugs, and cakes of tobacco.

Description of plans of machine for the manufacture of tobacco above described.

In the sheet of drawings attached, where the same parts are shown, the same letter is used to identify the same part.

Power is applied to pulley H and pinion I, which together work loose on shaft G; pinion I gears into spurwheel K, whose shaft has the pinion L on the other end, and which gears into spurwheel M and N; M is keyed on to shaft G, which carries the roller B and spurwheel O, and so gives motion to both rollers, O gearing into spurwheel P, which is keyed on to shaft carrying roller C; N is a spurwheel upon the same shaft, with which is an armed boss carrying revolving knives F.

Bolted on to the arms of spurwheel M is a bevel wheel Q, gearing into pinion upon rod RR, which gives motion by bevel gear to the three pulleys S1, S2, and S3, which give motion to the belts or bands working in trough A.

A is a trough with movable sides, the distance apart of which is varied according to the width of tobacco required.

In A are three bands or belts, one on each side and one at the bottom, continuously moving towards rollers B and C; in the space between or trough thus formed by the belts the tobacco is fed by hand and carried to the rollers B and C. B is a flanged or female roller.

C is a plain roller working between flanges of B. Tobacco after leaving the belts is carried forward by and between the rollers B and C, by which operation it is pressed into a ribbon of the necessary width and thickness. The pressure is regulated by the levers D and sliding weights E operating on slide blocks, U, working in frame of machine, and which slide blocks support the spindle on which roller C is carried.

Tobacco in the ribbon state is forced forward by the rollers under revolving knives F, which cut the tobacco to the length required, and which cut pieces are the nips, brakes, plugs, or cakes required.

For making different widths of tobacco, either a separate roller B is required, or it can be made as shown in figure 4 with a movable flange. Roller C is made most conveniently the width of the narrowest tobacco required, and increased in width for the wider sorts by rings bolted on to the side; but it may also be solid the full width of each sort, that is to say, a separate roller. Figure 5 shows loose ring for roller C to increase the width as above.

Figure 6 shows distinctly the way the knives are fixed, and according to length of tobacco required so the number of knives used.

T. Figures 1 and 3 is a roller, preferably of india-rubber, upon which the knives cut the tobacco, and which can be set up as the knives wear.

Though I prefer to have three feeding belts, yet it may be fed with one bottom belt only, in which case it is advisable to continue it between the rollers and return it underneath the lower roller.

A convenient surface speed for the rollers B and C would be 6 to 9 feet per minute.

In figures 1, 7, and 8 are shown two scrapers, *a* and *b*, which relieve any tendency the ribbon of tobacco has to adhere to the rollers B and C; they are fastened to the bed of the machine between the knives and the rollers; the ribbon of tobacco passes between *a* and *b* from the rollers to the knives; V is a supplementary scraper.

What I claim as new is—1st. The combination of pressing rollers and machinery for continuous feeding and cutting for the purpose of manufacturing plug tobacco, substantially as herein described and explained. 2nd. The combination of such contrivances with the other mechanical devices herein described and shown in my drawing, producing thereby a complete machine for making plug tobacco.

HUGH DIXSON, JUN.

This is the specification referred to in the annexed Letters of Registration granted to Hugh Dixson, the younger, this third day of May, 1876.

HERCULES ROBINSON.

REPORT.

SIR,

The application of Mr. Hugh Dixson, junior, for Letters of Registration for a machine for "Pressing and Cutting Tobacco," having been referred to us, we have examined the specification and drawings accompanying the same, and have now the honor to report that we see no objection to the issue of Letters of Registration as prayed for.

We have, &c.,

J. SMITH.

E. C. CRACKNELL.

THE PRINCIPAL UNDER SECRETARY.

Sydney, 12 April, 1876.

FIG. 1

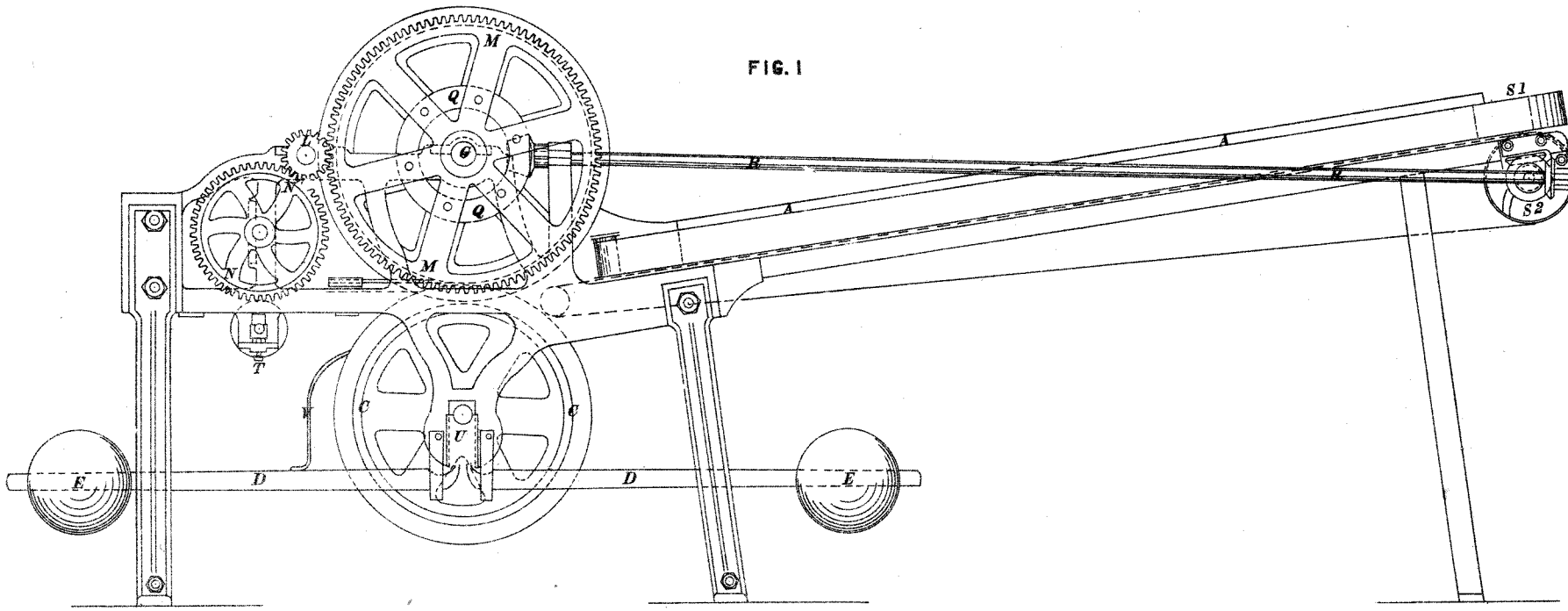


FIG. 2

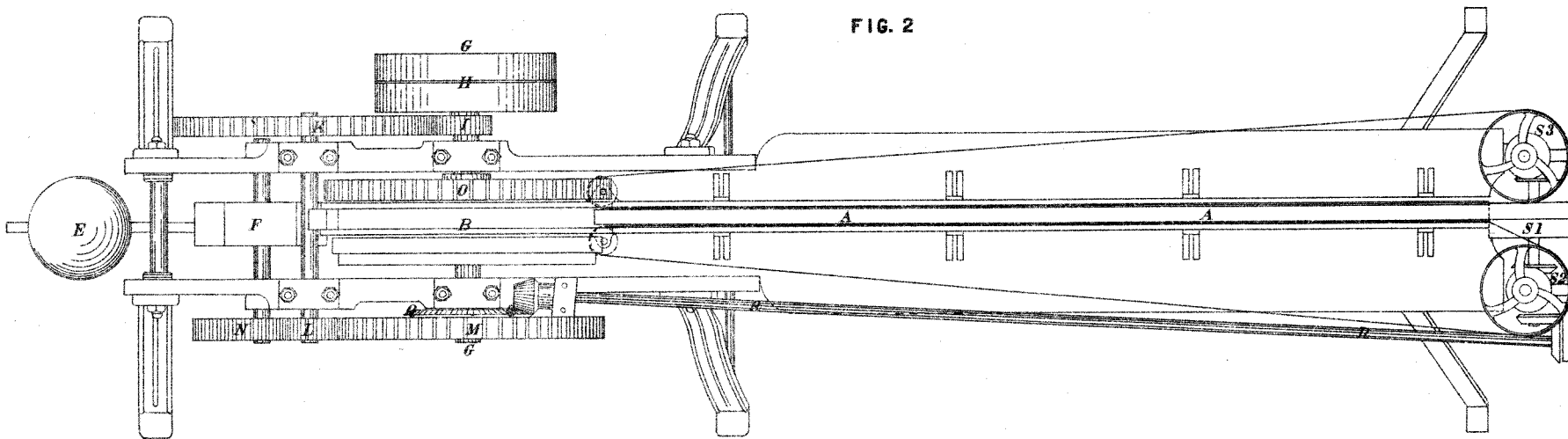


FIG. 3

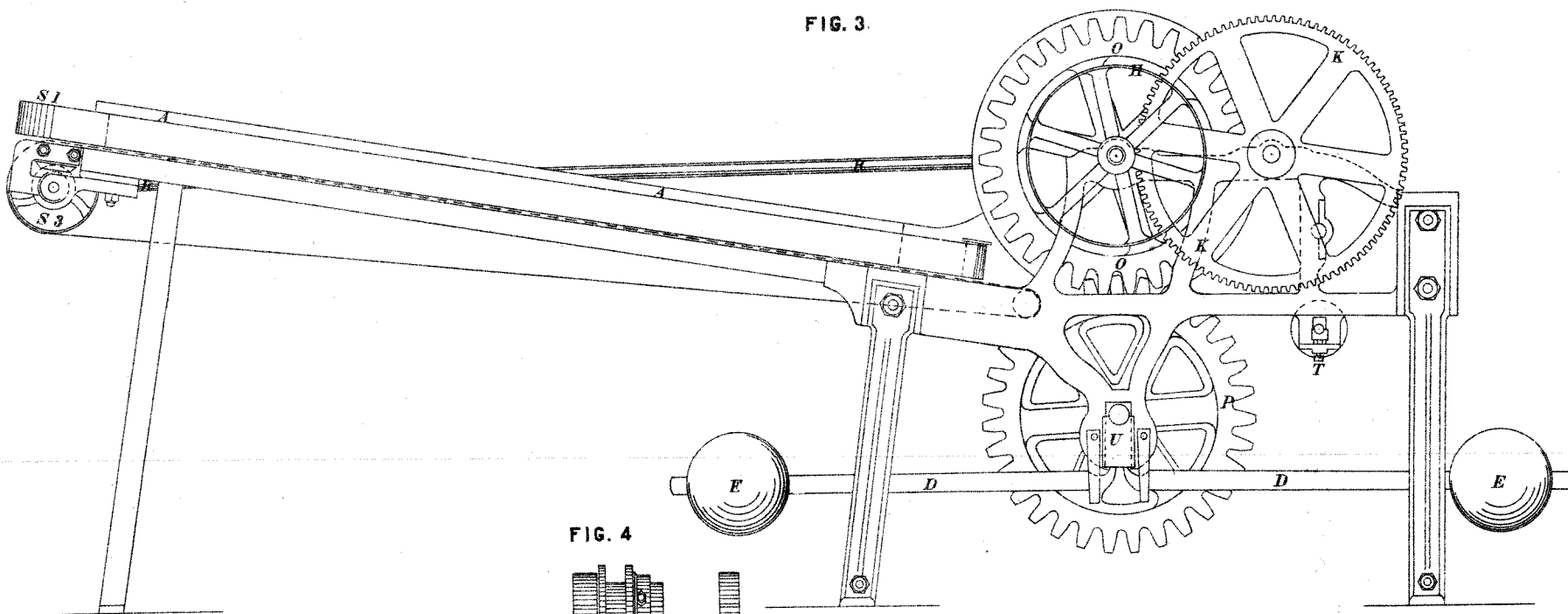


FIG. 4

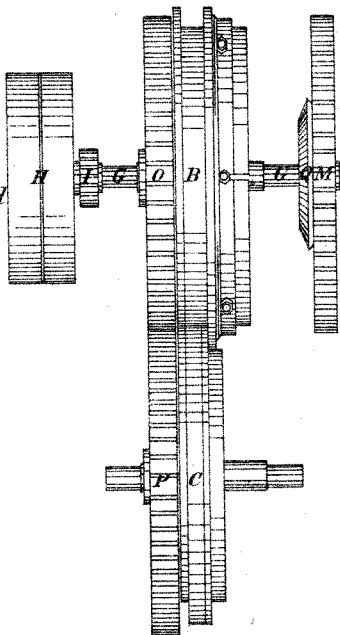


FIG. 5

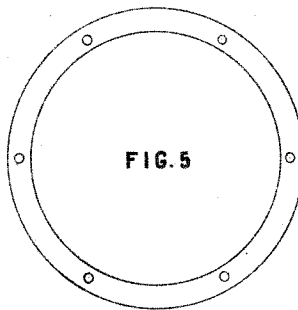


FIG. 6

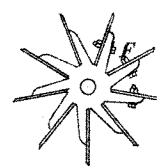
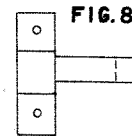


FIG. 7



FIG. 8



This is the Sheet of Drawings referred to in the annexed Letters of Registration granted to Hugh Dixon the younger, this third day of May 1876.

Hercules Robinson

[7]



A.D. 1876, 11th May. No. 526.

IMPROVEMENTS IN FILTERS.

LETTERS OF REGISTRATION to Richard Gervase Elwes, for Improvements in Filters.

[Registered on the 11th day of May, 1876, in pursuance of the Act 16 Vic. No. 24.]

BY HIS EXCELLENCY SIR HERCULES GEORGE ROBERT ROBINSON, Knight Grand Cross of the Most Distinguished Order of Saint Michael and Saint George, Governor and Commander-in-Chief of the Colony of New South Wales and its Dependencies, and Vice-Admiral of the same.

TO ALL TO WHOM THESE PRESENTS SHALL COME, greeting :

WHEREAS RICHARD GERVASE ELWES, of Westminster Chambers, in the city of Westminster, England, civil engineer, hath by his Petition humbly represented to me that he is the author or designer of a certain invention or improvement in manufactures, that is to say, of an invention for "Improvements in Filters," which is more particularly described in the specification and sheet of drawings which are hereunto annexed ; and that he, the said Petitioner, hath deposited with the Honorable the Treasurer of the said Colony of New South Wales the sum of Twenty Pounds sterling, for defraying the expense of granting these Letters of Registration, as required by the Act of Council sixteenth Victoria, number twenty-four ; and hath humbly prayed that I would be pleased to grant Letters of Registration, whereby the exclusive enjoyment and advantage of the said invention or improvement might be secured to him for a period of fourteen years : And I, being willing to give encouragement to all inventions and improvements in the arts or manufactures which may be for the public good, and having received a report favourable to the prayer of the said Petition, from competent persons appointed by me to examine and consider the matters stated therein, and to report thereon for my information, am pleased, with the advice of the Executive Council, and in exercise of the power and authority given to me by the said Act of Council, to grant, and do by these Letters of Registration grant unto the said Richard Gervase Elwes, his executors, administrators, and assigns, the exclusive enjoyment and advantage of the said invention or improvement, for and during the term of fourteen years from the date hereof : to have, hold, and exercise unto the said Richard Gervase Elwes, his executors, administrators, and assigns, the exclusive enjoyment and advantage thereof, for and during and unto the full end and term of fourteen years from the date of these presents next and immediately ensuing, and fully to be complete and ended : Provided always, that if the said Richard Gervase Elwes shall not, within three days after the granting of these Letters of Registration, register the same in the proper office in the Supreme Court at Sydney, in the said Colony of New South Wales, then these Letters of Registration, and all advantages whatsoever hereby granted, shall cease and become void.

In witness whereof, I have hereunto set my sign manual, and have caused the present Letters of Registration to be sealed with the seal of the said Colony of New South Wales, at Government House, Sydney, in New South Wales, this eleventh day of May, in the year of our Lord one thousand eight hundred and seventy-six.

(L.S.)

HERCULES ROBINSON.

Improvements in Filters.

SPECIFICATION of RICHARD GERVASE ELWES, of 7 Westminster Chambers, in the city of Westminster, England, civil engineer, for an invention intituled "Improvements in Filters."

My invention relates to filters in which animal or other charcoal, or other filtering material, in powder or granules is employed, and has for its object the construction and arrangement of filtering apparatus in such a manner as to combine the process of upward filtration with the means of admitting continuously, or from time to time, fresh charcoal or filtering material at or near the point of egress of the filtered liquid, and removing spent or exhausted charcoal or filtering material at or near the point of ingress.

The apparatus is so constructed that by the employment of upward filtration the most exhausted portion of charcoal (that is to say the portion which is nearest to the point where the liquid to be filtered enters) may be continuously or from time to time removed, and fresh charcoal may be added at the part of the apparatus where the liquid escapes, so that the liquid may always be brought in contact with fresh charcoal before it leaves the filter.

The particular form of apparatus for removing the exhausted charcoal, or for supplying the fresh charcoal, may be varied, but I prefer to employ the arrangement hereinafter described, more especially when employed for the decolourization of sugar.

DESCRIPTION OF THE DRAWINGS.

Fig. 1 is an elevation and fig. 2 a vertical section (at right angles to fig. 1), showing the top and bottom of the apparatus; the intermediate part consisting of a cylinder between them so as to form a continuous apparatus throughout its entire length. A is a vertical vessel of cylindrical or other convenient sectional form, having below it one or more conical or tapered prolongations, B, leading to one or more discharging chambers, C, which may be of any convenient sectional form. At the upper end of the discharging chamber, C, is a door or valve, D, and at the lower end of the same is a second door or valve or cover, E.

By means of the upper valve, D, a communication can be opened from the vessel A into the discharging chamber C, and the lower valve or door E opens from the discharging chamber C into the air. F is an air-cock, fitted at the upper part of the discharging chamber for the admission and escape of air as may be required. G is an inlet pipe fitted to the same, for the admission of warm water to wash the exhausted charcoal as required. At the bottom of this chamber is a flexible exit pipe, T, communicating with other pipes leading respectively to a syrup or juice tank, a sweet water tank, and an outlet for waste water, and indicated by the three arrows H I K. The entrance to the pipe T is protected by wire gauze and filter cloth, or other suitable means, to prevent the charcoal from passing into it.

The filtering vessel A is fitted at the upper part with an enlarged portion, L, in which the filtered liquid may collect and be drawn off by an exit pipe, M. The filtering vessel is also fitted with an inlet pipe, N, for water with which to wash the whole contents of the filter when desired. O is a hopper at the top of the apparatus, through which the fresh charcoal is introduced as required. The lower end of this hopper is continuous with the sides of the filtering vessel A, in which are formed apertures, P, within the enlarged portion, L; such apertures being covered with wire gauze and one or more thicknesses of filter cloth, through which the filtered liquid can pass out into the enlarged portion L, without any charcoal or dust passing out with it. This part of the apparatus is represented in section on an enlarged scale at fig. 3.

The liquid to be filtered is introduced at the lower part of the apparatus by means of a pipe, Q, terminating in a perforated pipe which runs round the inside of the filtering vessel, but any convenient form of inlet pipe may be used. The pipe Q leads from a tank, placed above the level of the point where the filtered liquid leaves the filtering vessel, so as to obtain the pressure or head required to force the liquid up through the charcoal.

At fig. 4 is shown in vertical section, and at fig. 5 on plan on an enlarged scale, the valve or door E, which is adapted to open by turning on a pivot at E*, being moved thereon as required by means of a handle, R, and fixed by set-screws, SS.

The method of working the apparatus is as follows:—On the valve D, at the top of the discharging chamber C, being closed, the filtering vessel A is filled with charcoal through the hopper O, and the liquid to be filtered is admitted by the entering pipe Q, at the bottom of the said vessel, under a liquid pressure or head sufficient to force it up through the charcoal, and out through the apertures PP, into the enlarged portion or collecting chamber L, whence it will flow away by the pipe M.

As soon as the liquid ceases to run quite colourless, the entry pipe Q is closed, also the valve or door E at the bottom of the discharging chamber C. The valve D at the top of this chamber is now opened, and the lowest portion of charcoal, which will be the foulest and most exhausted, is allowed to fall into the discharging chamber C. As soon as the discharging chamber is full, the valve D is closed, the inlet pipe Q is re-opened, and the filtering process is resumed.

In the meantime a fresh supply of charcoal has been introduced from the hopper O into the top of the filtering vessel A, falling downwards by gravity as the whole column of charcoal descends, when the valve D is opened. The escaping liquid now comes in contact with this fresh charcoal, and is completely decolourized as before.

The exhausted charcoal removed from the filter contains a quantity of adhering liquid, which may be drained off from it while in the discharging chamber by the pipe T, and pumped up again to the tank whence the filtering vessel is supplied.

In the case of sugar, the syrup or juice is first drained off by a pipe (indicated by the arrow H) leading to the syrup or juice tank; the charcoal is then washed with warm water, admitted through the pipe G (the resulting sweet water being led away to the sweet water tank by the pipe indicated by the arrow I). When all the syrup or juice has been extracted, the charcoal may be further washed if desired, the foul water being led away to waste by the pipe indicated by the arrow K.

The charcoal or other filtering material is finally removed from the discharging chamber by opening the valve or door E at the bottom of this chamber, and taken to be reburnt or revived in the usual manner when required.

On a cessation of operations, the whole contents of the filter can be drained of syrup or juice and washed by means of the pipes connected with the filtering vessel and discharging chamber. The advantages resulting from the foregoing process are as follows:—

First—

Improvements in Filters.

First—The filtering operation is continuous, or nearly so, instead of being only intermittent, whereby a smaller number of filters are required, and the process can be carried on day and night if desired.

Secondly—There is a saving in the quantity of charcoal required to be kept on hand at one time.

Thirdly—The full useful effect can be got out of each portion of charcoal before it is reburnt, whereas under existing systems much of the charcoal when removed from the filters is only partially exhausted. In this manner a saving is effected in the cost and waste of reburning.

And lastly—The whole of the liquid filtered can be as completely decolourized as the first portion, whereas under existing systems of intermittent filtration the last portion of liquid passed through the filter leaves it in a more highly coloured state than the first portion.

What I claim as new in my invention is the combination of upward filtration under liquid pressure, with means for removing the exhausted charcoal from the bottom of the filter where the liquid enters, and means for supplying fresh charcoal at the top of the filter where the liquid escapes, by which the process of filtration and decolourization is rendered continuous and complete as described.

In witness whereof, I, the said Richard Gervase Elwes, have hereunto set my hand and seal, this fifth day of January, one thousand eight hundred and seventy-six.

Witness—R. W. MARRIOTT, Draughtsman,
7, Westminster Chambers, London, S.W.

R. GERVASE ELWES. (L.S.)

This is the specification referred to in the annexed Letters of Registration granted to Richard Gervase Elwes, this eleventh day of May, 1876.

HERCULES ROBINSON.

REPORT.

SIR,

Sydney, 21 April, 1876.

In the matter of the application of Mr. Richard Gervase Elwes for Letters of Registration for "Improvements in Filters," which has been referred to us, we have examined the specification and drawings accompanying the same, and have now the honor to report that we see no objection to the issue of Letters of Registration for the Filter as figured and described.

We have, &c.,

J. SMITH.
CHAS. WATT.

THE PRINCIPAL UNDER SECRETARY.

[Drawings—one sheet.]

FIG. 1.

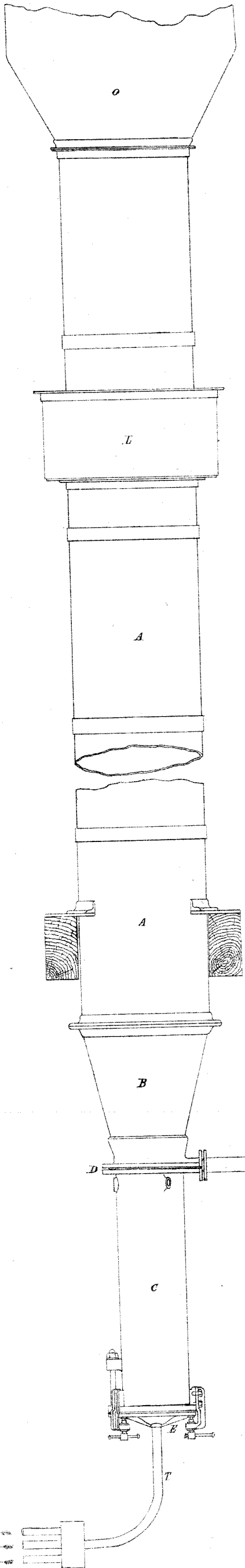


FIG. 2.

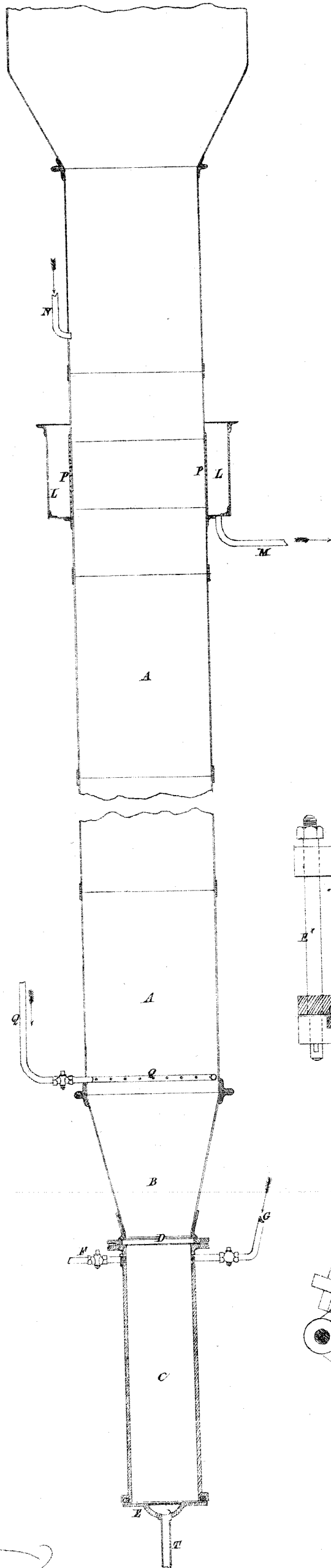


FIG. 3.

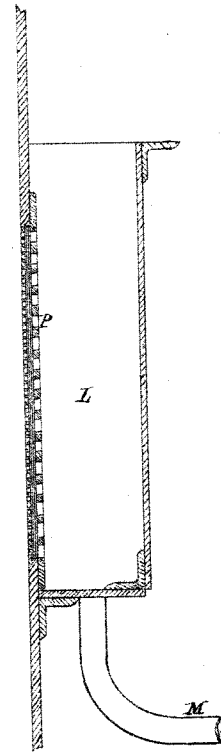


FIG. 4.

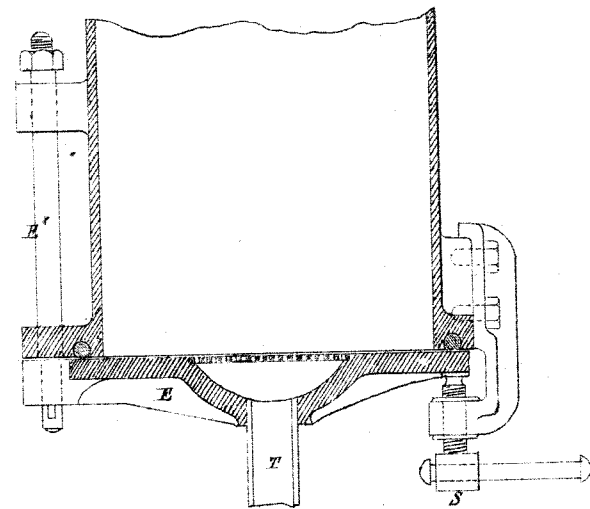
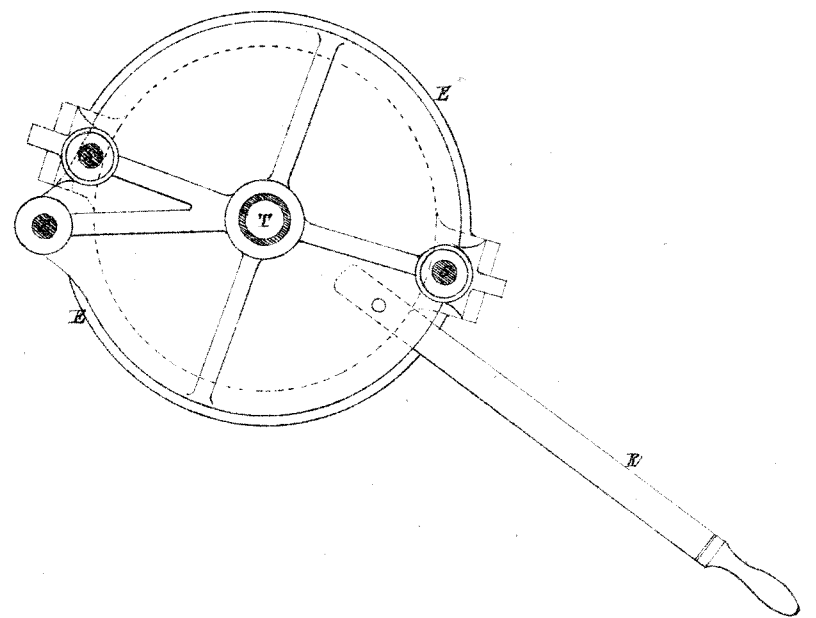


FIG. 5.



*This is the sketch of drawings referred to in the
 accepted Letters of Registration granted to Richard
 Gouasse Elves, this seventh day of May 1876*

Hercules Robinson

[83]



A.D. 1876, 12th June. No. 527.

NICOLLE & MORT'S ARTIFICIAL STONE AND TILE APPARATUS.

LETTERS OF REGISTRATION to Eugene Dominique Nicolle and Thomas Sutcliffe Mort, for an Invention for producing and utilising Artificial Stone, Tiles, &c.

[Registered on the 12th day of June, 1876, in pursuance of the Act 16 Vic. No. 24.]

BY HIS EXCELLENCY SIR HERCULES GEORGE ROBERT ROBINSON, Knight Grand Cross of the Most Distinguished Order of Saint Michael and Saint George, Governor and Commander-in-Chief of the Colony of New South Wales and its Dependencies, and Vice-Admiral of the same.

TO ALL TO WHOM THESE PRESENTS SHALL COME, greeting :

WHEREAS EUGENE DOMINIQUE NICOLLE and THOMAS SUTCLIFFE MORT, both of Sydney, in the Colony of New South Wales, have by their Petition humbly represented to me that they are the authors or designers of a certain invention or improvement in manufactures, that is to say, of an invention for producing and utilising artificial stone, tiles, &c., and styled "Nicolle and Mort's Artificial Stone and Tile Apparatus," which is more particularly described in the specification and sheet of drawings which are hereunto annexed; and that they, said Petitioners, have deposited with the Honorable the Treasurer of the said Colony of New South Wales the sum of Twenty Pounds sterling, for defraying the expense of granting these Letters of Registration, as required by the Act of Council, sixteenth Victoria, number twenty-four; and have humbly prayed that I would be pleased to grant Letters of Registration, whereby the exclusive enjoyment and advantage of the said invention or improvement might be secured to them for a period of fourteen years: And I, being willing to give encouragement to all inventions and improvements in the arts or manufactures which may be for the public good, and having received a report favourable to the prayer of the said Petition, from competent persons appointed by me to examine and consider the matters stated therein and to report thereon for my information, am pleased, with the advice of the Executive Council, and in exercise of the power and authority given to me by the said Act of Council, to grant, and do by these Letters of Registration grant unto the said Eugene Dominique Nicolle and Thomas Sutcliffe Mort, their executors, administrators, and assigns, the exclusive enjoyment and advantage of the said invention or improvement, for and during the term of fourteen years from the date hereof: to have, hold, and exercise unto the said Eugene Dominique Nicolle and Thomas Sutcliffe Mort, their executors, administrators, and assigns, the exclusive enjoyment and advantage thereof, for and during and unto the full end and term of fourteen years from the date of these presents next and immediately ensuing, and fully to be complete and ended: Provided always, that if the said Eugene Dominique Nicolle and Thomas Sutcliffe Mort shall not, within three days after the granting of these Letters of Registration, register the same in the proper office in the Supreme Court at Sydney, in the said Colony of New South Wales, then these Letters of Registration, and all advantages whatsoever hereby granted, shall cease and become void.

In witness whereof, I have hereunto set my sign manual, and have caused the present Letters of Registration to be sealed with the seal of the said Colony of New South Wales, at Government House, Sydney, in New South Wales, this twelfth day of June, in the year of our Lord one thousand eight hundred and seventy-six.

(L.S.)

HERCULES ROBINSON.

Nicolle & Mort's Artificial Stone and Tile Apparatus.

SPECIFICATION of an invention styled "Nicolle and Mort's Artificial Stone and Tile Apparatus," being an improved method of producing and utilising artificial stone, tiles, &c.

By this process we are enabled to produce a more durable material than any like material yet manufactured, and of any colour natural to stone, or of almost any shape, accurate in form, uniform in texture, incapable of expansion, contraction, or warping, impervious to moisture, which may be used in its green state without the application of heat or other chemical process, and to supply it at a price below the cost of ordinary stone or brick.

In all plans hitherto adopted the compacting of the material has been accomplished by ramming or pressing portions only of the surfaces at one and the same stroke, which mode by allowing the lateral movement of the particles not only prevents a perfect felting of the mass as admitted into the mould but more or less disintegrates the portion already compacted, the non-rigidity of the mould operating in the same direction; and in other than the present plans the compacted substances have to rest in the moulds for a time sufficient to allow of the setting of the material, thereby entailing the necessity of a multiplication of moulds and a largely increased amount of labour and storage room and consequent increase of cost, besides delay in the progress of work. Baking or drying, or other chemical process, is also in many modes of manufacture commonly employed, all of which are avoided in our plan.

By our mode of using the stone as pressed under our plan, we obviate these objections, and are also enabled by our means of bringing the particles into more intimate and close contact to reduce to a minimum the quantity of lime or other binding material commonly employed, thereby combining economy and durability, besides bringing into action the natural power of cohesion between the particles, and consequent production of a more impervious substance than has hitherto been produced in any substance in which sand has been the leading ingredient and which has not been subjected to heat or other chemical process.

An important feature of our manufacture is the accuracy of the faces of the forms we produce, by which we are enabled to dispense with the skilled labour of the mason and bricklayer, and also with the use of mortar or cement, as the surfaces being perfectly true only require the application of a brush dipped in lime-water to fix them in position as fast as manufactured. This accurate fitting and consequent uniting of the faces, coupled with the hydraulic and non-conductive qualities of the stone, overcome the necessity for the ordinary binding, and permits of walls of much less than the ordinary thickness. The hydraulic character which our artificial stone may be made to almost immediately assume absolutely prevents the rising of moisture at the basement, and the same substance when used for the floors of course prevents damp and gases passing there also. This, we believe, is not the case in any other artificial stone.

Another important feature in our plan of moulding and compressing is, that the inside faces of the walls being perfectly true and smooth, the necessity for plastering or papering is avoided. And another still more important is that if the floors of a building be built with the stone in a slightly arched form no timber need enter into their construction; indeed, where "anchor rods" are used the whole structure may be built without wood, except in the window sashes and doors, nor need any roofing be required.

Another application of the important property that the stone made by our plan possesses when green, is the making of tiles that overlap each other at every edge, but still lie in the same plane, whose lapped surfaces can be made to unite and so form a roof composed practically of one solid tile, through which it is impossible for the water to penetrate, avoiding at the same time the necessity for so overlapping tiles as to have two or three thicknesses of tile lying one over the other, enabling us thereby to produce a roof that is not only much cheaper and lighter than any hitherto constructed of similar materials, but also one which may be constructed at almost any angle.

The novelty of these tiles consists in their capability of being so fitted upon a roof as to afford a wind and water tight covering, even at the angles of repose, as the top and bottom edges overlap and are overlapped by the adjacent tiles by half of their thicknesses, whilst one of their side edges having upon it a groove under a raised projection fits on to a corresponding projection on the side edge of the adjacent tile, thus forming when associated in position a covering, the under surface of which is flat, whilst the upper surface when the tiles are constructed in their simple form presents a plane divided by rolls or ribs, which latter, in addition to their special use, gives strength to the resulting structure.

Figure 1 is a sectional elevation of a pug-mill.

A is a shaft carrying the driving pulley and two bevel wheels, which act on the corresponding bevel wheels on the shafts BB.

BB are perpendicular shafts which carry the arms CC.

CC are rotary cycloidal arms, furnished with perpendicular flanges, which work between similar flanges on the stationary arms DD.

DD are stationary arms, similar to the rotary arms CC, but fixed to the cylinders EE.

EE are the cylinders which form the casing for the arms CC and DD.

F is a conical adjustable bearing to support the perpendicular shaft B, furnished with an oil chamber, which is fed from a cup attached to the side of the cylinder E, to which it is connected by a pipe and with a hole which passes through the shaft to the conical steel bearing, thereby connecting the oil-chamber with the latter. It is also provided with a leather flange, which is kept in position immediately under the cylinder by a collar on the shaft B to prevent the grit from working out of the cylinder into the bearing, and lastly, with an adjusting screw to regulate the height of the perpendicular shaft B.

G is a door for the withdrawing of the material, which is raised or lowered by a screw between two guides.

Figure 2 is an elevation of the steam-hammer, pressing block, mould, frame for raising the same off the block, and feeder and hopper.

A is a steam cylinder, provided with valves capable of being worked both mechanically and by hand.

B is a piston working in the cylinder, carrying the ramming head C.

C is the ramming head fixed to the piston B, provided with a sliding face, D.

Nicolle & Mort's Artificial Stone and Tile Apparatus.

D is the sliding face of the ramming head C, which corresponds with the mould, and slides laterally from one side of the mould to the other alternately, the motion being imparted to it by cams, levers, straps, or hand.

E is a guide fixed to the piston B, which runs on the slides FF.

FF are slides for the guide E to run on, fixed to the frame G.

G is the frame for the cylinder, piston, guides, &c.

H is a feeder which swings from the hopper K to the mould L by means of the swinging arm I.

I is a swinging arm, carrying the feeder H and rotating on the standard J.

J is a standard on which the swinging arm I rotates.

K is a hopper, provided with an opening at the bottom governed by a sliding door.

L is a mould having a false bottom, which is fixed to the pressing block N, and furnished with sides that are hinged together at three corners, and fastenings at the fourth capable of disconnection.

M is a false bottom to the mould L fixed to the pressing block N.

N is a pressing block on which the mould L and its false bottom M rest.

OO is a frame actuated by the cam P, for raising the mould L from off the false bottom M.

P is a cam which when actuated by the lever Q raises or lowers the frame OO.

Q is a lever which actuates the cam P.

Figure 2a is a sectional elevation of the feeder H.

aa are shutters, made by preference of brass, which form the false bottom of the feeder.

bb are levers fixed to the shutters aa, and connected to the principal lever e by the connecting rod d.

c is the frame.

d is a connecting rod that connects the levers bb to the principal lever e.

e is the principal lever which actuates the levers bb, by means of the connecting rod d.

f is the handle which actuates the principal lever e.

gg are corrugated plates placed under the shutters aa, and fixed to the frame c.

By preference we work the above feeder by hand.

Figure 3 is a sectional elevation and plan of the turning over and lifting apparatus.

AA is a mould containing the compacted stone BB.

BB is the compacted stone.

CC are bolts passing through the compacted stone BB, and screwed into the plates DD.

DD are plates, made by preference of wood, into which the bolts CC are screwed, and which fit into recesses in the stone BB.

D'D' is a screwed bolt passing through the stone BB.

EE are axles furnished with wheels and grooved collars FF.

FF are grooved collars fitted to the axles EE in which the pivots GG rest.

GG are pivots on which the mould AA rests, and which rest in the grooved collars FF.

HH are clasps fixed to the sides of the mould AA, which fit into the axles EE.

I is a tree which catches the heads of the bolts CC, and is connected to the hoist J.

J is a hoist to which the tree I is connected.

KK is a tramway on which the wheels of the axles EE run.

L is a post on which the mould AA rests when turned over.

Figure 3a is a sectional elevation and plan of a pneumatic sucker lifting apparatus.

AA is a flange, made by preference of rubber.

BB is a hook by which the sucker is lifted, which is fastened to two plates between which the rubber flange is securely held.

CC is the pipe connecting the apparatus to the vacuum chamber.

DD is the stone to be lifted.

Figure 4 is a sectional elevation of an hydraulic press for compacting tiles, diaper, &c.

A is a cylinder for the ram B, furnished with the usual force pumps and valves worked mechanically or by hand.

BB is a ram provided with a head which works between the standard rods FF.

CC is a mould, made by preference of brass, for containing the material to be pressed.

DD is a presser, made by preference of brass, which corresponds with the mould CC.

EE are frames connected together by the standard rods FF.

FF are standard rods connecting the frames EE.

G is a table fixed to the ram-head BB, provided with a slide, H.

H is a slide fitted to the table G and the ram-head B.

I is a top view of the compacted tiles.

J is a cross section of the same.

K is a longitudinal section of the same.

The foregoing are made by preference of iron, except where specially mentioned as otherwise.

MODUS OPERANDI.

The several ingredients, viz., sand, lime, and silicate of alumina, are mixed in the required proportion by means of the pug-mill. The lime and silicate of alumina, by preference in the form of a paste made by mixing with water, are put into the pug-mill with a portion only of the sand, and as the mixing progresses the remaining sand is gradually added till the whole is pretty well incorporated. The mixture is then, by preference, withdrawn by the door G, fig. 1, and transferred to the second mill to be more perfectly mixed, whilst the first operation is being repeated in the other mill.

The mixing is effected by three sets of cycloidal arms, having perpendicular projecting flanges, C, fig. 1, being carried round between the fixed similar arms D, fig. 1, by the rotation of the perpendicular shaft

Nicolle & Mort's Artificial Stone and Tile Apparatus.

shaft and bevel wheel B, fig. 1, which are actuated by the bevel wheel on the horizontal shaft A, fig. 1, on which is fixed the driving pulley, thereby squeezing the ingredients against the surfaces of the arms, the inside of the cylinder E, fig. 1, and against each other, with immense force in every conceivable position, yet without crushing of the particles, which action when continued for some time spreads the plastic binding materials in an even but fine film over the entire surfaces of the sand.

The resulting pug (the plastic material produced by the above ingredients when mixed) is withdrawn and placed in the hopper K, fig. 2, which being provided with an opening, having a sliding door, allows the convenient discharge of any desired quantity of the pug into the feeder.

The feeder H, fig. 2, when charged from the hopper by means of the sliding door (which charge is spread in an even layer by traversing the surface of the frame with a striking stick) is swung into position over the mould by means of the swinging arm I, fig. 2, to which it (the feeder) is fixed, that rotates on the standard J, fig. 2, and is then opened by moving the handle F, fig. 2a, which actuating the principal lever e, fig. 2a, moves the strap or connecting rod d, fig. 2a, that connects all the levers b, fig. 2a, fixed to the shutters a, fig. 2a, which form the false bottom of the feeder and the pug falling down through the corrugated plates g, fig. 2a, is dispersed and deposited in an evenly spread layer in the mould. The feeder H, fig. 2, is then swung back under the hopper to be re-charged.

The mould L, fig. 2, is placed in position on the pressing block N, fig. 2, by being run on the tramway K, fig. 3, by means of the wheels and axles E, fig. 3, which are provided with grooved collars, F, fig. 3, in which the pivots G, fig. 3, on which the mould is supported, rest, the mould at the same time being kept in position by the clasps H, fig. 3, on to the cam-frame O, fig. 2. The frame is then lowered by actuating the cam P, fig. 2, by means of the lever Q, fig. 2, till the mould rests on a false bottom, which is fitted to the top of the pressing-block N, fig. 2, and the axles on which it rested are clear of the clasps, &c., and any fastenings that may be required to secure the mould to the false bottom or the pressing block.

The moulds may be filled direct from a hopper capable of being shifted to and fro, provided with a suitable door to deliver measured portions into the mould, or a frame may be interposed to catch the charge and distribute it in an even layer, or a frame similar to the one illustrated may be made to rest alternately under the hopper and over the mould by running on slides or wheels, or moved by levers or cams. Any of these arrangements can be worked by machinery or by hand, but by preference we use the plans we have described.

When an even layer of pug has been spread in the mould as above, it is by preference pressed with a rapid succession of blows by means of the steam-hammer, of which D, fig. 2, is the face, which corresponds to the shape of the mould, and slides laterally on the head C, fig. 2, which is fixed to the piston B, fig. 2, worked by the steam cylinder A, fig. 2, which is supplied with steam by valves arranged to produce the required blow, and worked mechanically or by hand levers.

The blow is, by preference, very gentle at first, in order to avoid the dispersing of the particles whilst in a loose state, and afterwards, when the material has commenced to felt, with sufficient force to bring the particles as closely together as may be desired. This operation is repeated till the mould is filled to the depth of the required stone, or in some instances it may be found necessary to place a frame on top of the mould to which it fits, and to fill it with the compacted material as already mentioned. It is then removed; the part that projects beyond the mould is cut off, and the consequent broken surface is made true by one or more blows of the hammer, thus ensuring the production of a stone, the back of which is equally well pressed as the face. The air is allowed to escape from under the face of the hammer by the latter being made slightly smaller than the surface operated on to allow a space for its passage, the face being at the same time slid from side to side alternately to ensure the equal pressing of the entire surface.

The pressing or compacting of the pug may also be accomplished by hand rammers, or rammers actuated by levers, cams, or screws, driven by steam, hydraulic, or pneumatic power. The air may also be allowed to escape by means of holes in the rammer, or grooves at its sides, but by preference, we use the plans we have described.

The mould, when filled, is raised off the pressing block N, fig. 2, by the cam P, fig. 2, to the level of the tramway, in the same manner as it was lowered, leaving the false bottom behind and consequently exposing the corresponding face of the stone. We use this face, by preference, for the weather surface in consequence of its being the most perfectly compacted face of the stone and the convenience of imparting to it the desired shape or pattern.

The mould A, fig. 3, is then run on the tramway to a convenient place and is turned over on the pivots G, fig. 3, which rest in the grooved collars F, fig. 3, on the axles E, fig. 3, till the exposed face of the stone is in a perpendicular position and the mould partly rests on the post L, fig. 3. The bolts C, fig. 3, and the plates D, fig. 3, or one or two of the bolts D', fig. 3, are inserted in their places through openings in the mould; the fastenings are undone and the sides of the mould are turned back on their hinges. The tree I, fig. 3, is then connected to the bolts and to any hoisting appliances that may be found necessary to convey the stone to the position required.

The moulds may have their false bottoms attached to their sides by hinges, bolts, or other fastenings, instead of the pressing block; they can also be turned over if fitted with a suitable frame to run on wheels or slides to which the mould may be fastened, or the mould could rest in a swinging cradle capable of being moved in the same manner, or it might be turned over on its side direct off the block and the stone canted on to a frame suitable for carrying it away. The moulds may also be made wholly or partially of iron, wood, stone, or plaster of Paris, but by preference we use the plans we have described.

The mould may also be lifted off the pressing block by merely turning it over on its side, which may be provided with wheels, or may be vertically lifted off by means of screws, levers, racks, or tackle working on the mould direct or on the frame supporting the mould.

The frame, as illustrated, may have any number of cams to suit the size of work, but by preference we use the plans we have described.

The compacted stone may be lifted by bolts, screwed for the whole or part of their length, when the use of the plates is avoided, or the plates when used may be placed in the body of the stone instead of under the bottom face; or again, the bolts may pass outside the work to a suitable plate or table on which the

Nicolle & Mort's Artificial Stone and Tile Apparatus.

the stone may rest, as in hollow vase or pipe work, or even simple bands may be used for the same purpose. Any number of these appliances can be used, according to the work being produced, and the plates if used may be of wood, metal, natural or artificial stone, but by preference we use the plans we have described.

Another mode of manipulating the stone when compacted is by using our pneumatic sucker lifter, fig. 3a, when the stone is in a position ready for lifting, the sucker, which by preference we make to correspond to the shape and size of the work, is laid in position, communication is made to the vacuum chamber by means of the pipe C, fig. 3a, and the rubber flange A, fig. 3a, being sucked down to the face of the stone to which it adheres, while the vacuum under the middle plates is preserved. The stone is then raised by means of the hook B, fig. 3a, and placed in the desired position, and the communication with the vacuum chamber being shut off, the sucker immediately loses its hold of the stone.

These suckers can be made of any shape to suit the work, and may consist of a chamber with a pierced bottom, having an india-rubber projection either outside or under its edges, or the vacuum-pipe of a sucker may be of metal and may be the means by which the sucker is lifted.

For pressing the tiles the mould C, fig. 4, is charged from a hopper or by some other suitable plan with a measured amount of pug, and being placed on the table G, fig. 4, over the slide H; fig. 4, which fits into a groove in the bottom of the mould, is then readily pushed into its place under the presser D, fig. 4, which corresponds with the mould, where it is kept in position by angle pieces or any similar suitable arrangement. The ram B, fig. 4, is then raised by means of the force-pump till the pug in the mould is sufficiently compacted; the ram is then lowered, and the mould withdrawn and emptied. The tiles may be pressed in this manner, or by any of the means mentioned, for pressing ordinary work in any number of moulds at one time, the moulds standing horizontally or vertically; and the hydraulic ram may work horizontally or vertically, but working downwards, or the mould or moulds can be so placed between levers or cams as to enable the pug to be compacted by squeezing, or if the hydraulic press is used the top-presser may be arranged to be brought down to the mould on to the pug and to be rigidly held there while pressure is applied to the ram, and to be lifted back again while the ram is lowered by a suitable arrangement of levers, wedges, or screws. This plan would in some instances much reduce the time taken up by working the ram in the usual manner. The tiles also may be of any size or pattern so long as the principle of the tile illustrated is preserved, but by preference we use the plans we have described.

Having thus described our apparatus, &c., and our mode of working the same, we proceed to claim our mode of producing artificial stone, and our plan of utilising the same in its "green" state, in combination or separately, substantially as herein described and shown; and we specially claim,—

- 1st. The mode of effecting the cohesion of the particles employed in the manufacture of artificial hydraulic stone by compressing them during the process of "felting" within rigid substances, and without the application of heat or other chemical process.
- 2nd. Our feeder (fig. 2a) for feeding the mould.
- 3rd. Our mode of effecting the escape of the air from under the felting hammer by making the face of the latter move alternately from side to side as it falls upon the material.
- 4th. Our mode of lifting the stone by pneumatic suckers, and of fitting the stone with bolts, screwed or not to plates, whereby we are enabled to use it in its "green" state without waiting for it to set or dry.
- 5th. Our arrangement for turning the stone out of the mould.
- 6th. The form of our artificial stone tile, as herein shown and described.

(For E. D. NICOLLE & self),
THOS. S. MORT.

This is the specification referred to in the annexed Letters of Registration granted to Eugene Dominique Nicolle and Thomas Sutcliffe Mort, this twelfth day of June, 1876.

HERCULES ROBINSON.

REPORT.

SIR,

The application of Messrs. Nicolle and Mort for Letters of Registration for an "Artificial Stone and Tile Apparatus," having been referred to us, we have examined the specification and drawings accompanying the same, and have now the honor to report that we see no objection to the issue of Letters of Registration as prayed for.

We have, &c.,

J. SMITH.
JAMES BARNET.

THE PRINCIPAL UNDER SECRETARY.

[Drawings—one sheet.]

No. 528.

[Assignment of No. 242A. See page 73 of Return of 21 June, 1872.]

NICOLLE & MORT'S ARTIFICIAL STONE & TILE APPARATUS

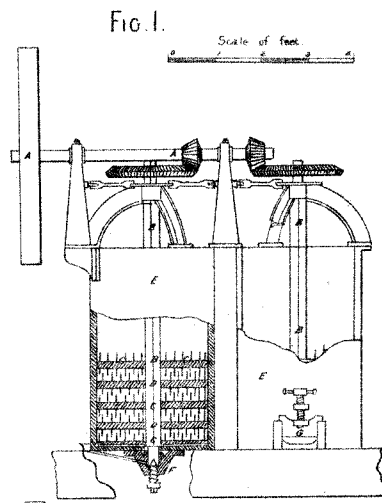


FIG. 1.

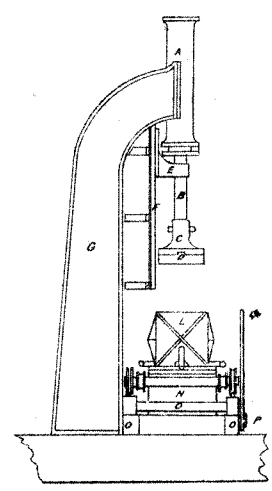


FIG. 2

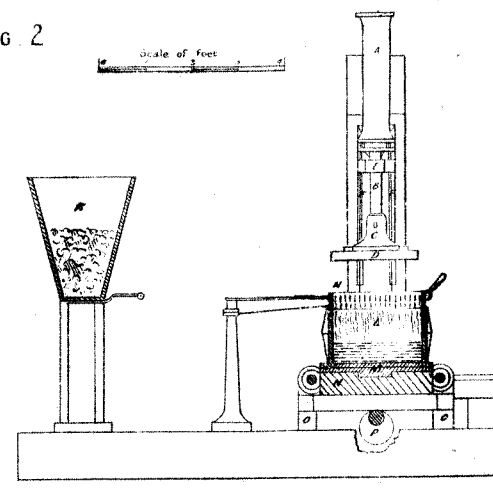


FIG. 3.

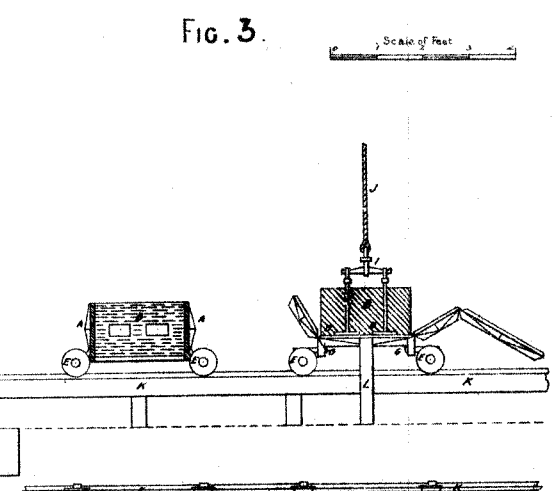


FIG. 3 CONTINUED.

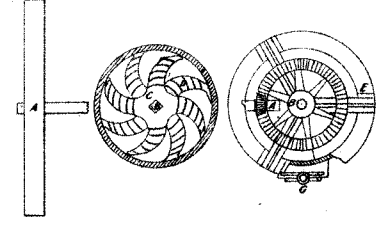


FIG. 4.

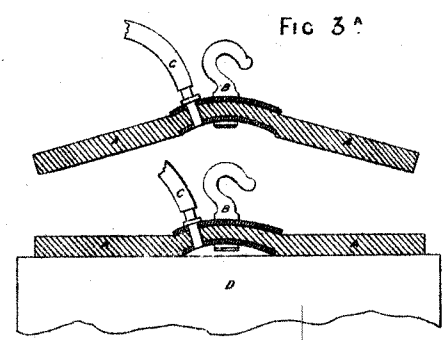
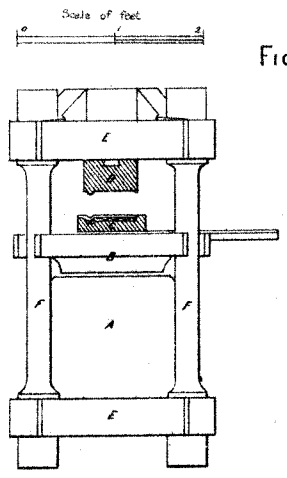


FIG. 3 A

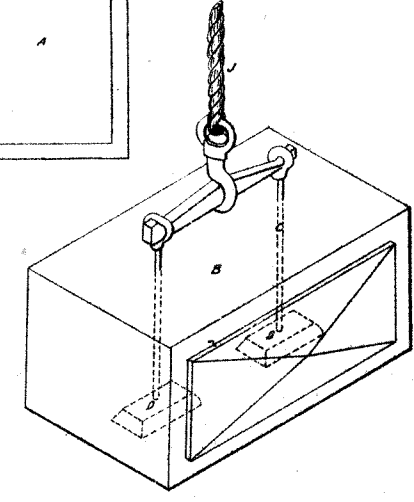
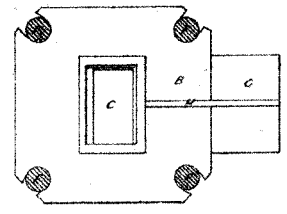
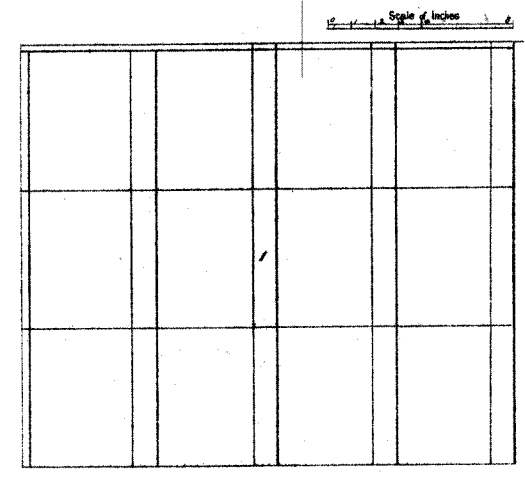
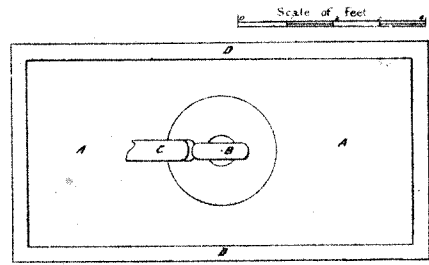
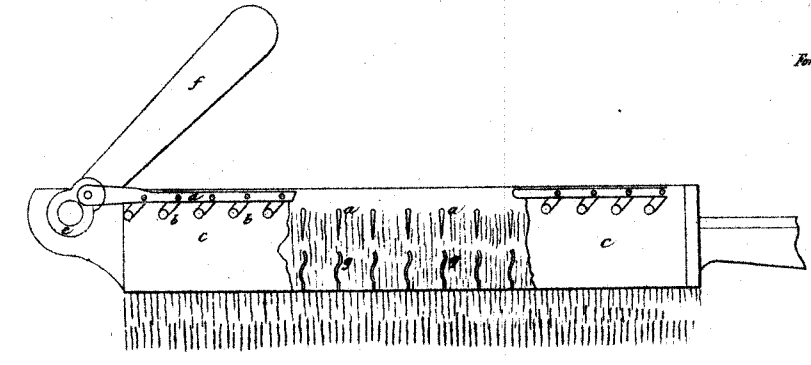
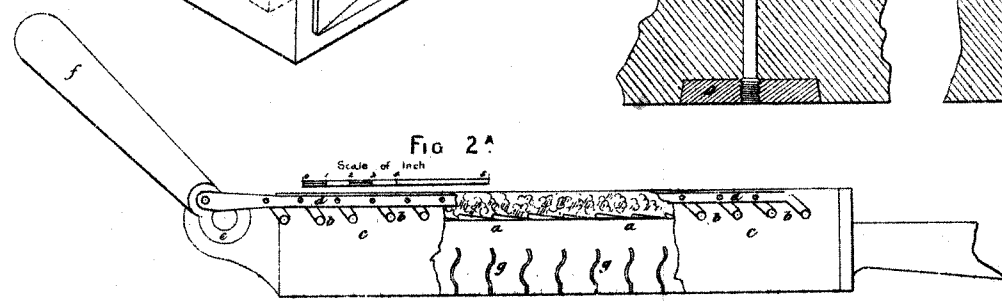
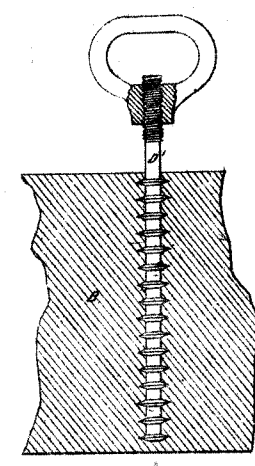
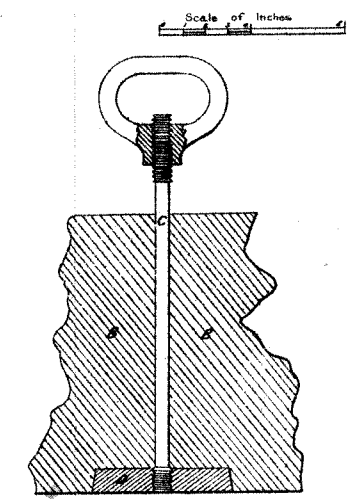


FIG. 2 A



For E. D. Nicolle & self Tho. S. Mort.

This is the Sheet of Drawings referred to in the annexed Letters of Registration granted to Eugene Dominique Nicolle and Thomas Sutcliffe Mort, this 12th day of June, 1876

Hercules Robinson.



A.D. 1876, 19 June. No. 529.

BALDOCK'S SMOKE-PREVENTER AND FUEL-ECONOMIZER.

LETTERS OF REGISTRATION to Henry Baldock, for a Smoke-preventer and Fuel-economizer.

[Registered on the 21st day of June, 1876, in pursuance of the Act 16 Vic. No. 24.]

BY HIS EXCELLENCY SIR HERCULES GEORGE ROBERT ROBINSON, Knight Grand Cross of the Most Distinguished Order of Saint Michael and Saint George, Governor and Commander-in-Chief of the Colony of New South Wales and its Dependencies, and Vice-Admiral of the same,

TO ALL TO WHOM THESE PRESENTS SHALL COME, greeting :

WHEREAS HENRY BALDOCK, of Sydney, in the Colony of New South Wales, has by his Petition humbly represented to me that he is the author or designer of a certain invention or improvement in manufactures, that is to say, of an invention termed "Baldock's Smoke-preventer and Fuel-economizer," which is more particularly described in the specification and sheet of drawings which are hereunto annexed ; and that he, the said Petitioner, has deposited with the Honorable the Treasurer of the said Colony of New South Wales the sum of Twenty Pounds sterling, for defraying the expense of granting these Letters of Registration, as required by the Act of Council, sixteenth Victoria number twenty-four ; and has humbly prayed that I would be pleased to grant Letters of Registration, whereby the exclusive enjoyment and advantage of the said invention or improvement might be secured to him for a period of fourteen years : And I, being willing to give encouragement to all inventions and improvements in the arts or manufactures which may be for the public good, and having received a report favourable to the prayer of the said Petition from competent persons appointed by me to examine and consider the matters stated therein, and to report thereon for my information, am pleased, with the advice of the Executive Council, and in exercise of the power and authority given to me by the said Act of Council, to grant, and do by these Letters of Registration grant unto the said Henry Baldock, his executors, administrators, and assigns, the exclusive enjoyment and advantage of the said invention or improvement for and during the term of fourteen years from the date hereof : to have, hold, and exercise unto the said Henry Baldock, his executors, administrators, and assigns, the exclusive enjoyment and advantage thereof, for and during and unto the full end and term of fourteen years from the date of these presents next and immediately ensuing, and fully to be complete and ended : Provided always, that if the said Henry Baldock shall not, within three days after the granting of these Letters of Registration, register the same in the proper office in the Supreme Court at Sydney, in the said Colony of New South Wales, then these Letters of Registration, and all advantages whatsoever hereby granted, shall cease and become void.

In witness whereof, I have hereunto set my sign manual, and have caused the present Letters of Registration to be sealed with the seal of the said Colony of New South Wales, at Government House, Sydney, in New South Wales, this nineteenth day of June, in the year of our Lord one thousand eight hundred and seventy-six.

(L.S.)

HERCULES ROBINSON.

Baldock's Smoke-preventer and Fuel-economizer.

SPECIFICATION of Baldock's Smoke-preventer and Fuel-economizer.

My invention consists in passing a current of steam through a hollow box, bridge, or pipe, made of iron or fireclay, or of a combination of such materials, such box, bridge, or pipe to be made of any convenient size and shape, so that it may be adapted to the size and shape of the steam boiler or furnace to which it is to be applied to or connected with, and to be filled or partly filled with turnings, borings, filings, scraps, or other small pieces of iron or other oxidizable metal or matter.

The improvement I claim, and which I desire to be secured to me as my invention, is the substitution of turnings, borings, filings, or other small pieces of iron or other oxidizable metal for the singular arrangement of pipes connected by elbows, L, T's, T's, and joints or unions, as described in Letters of Registration granted to George Clinch, dated August seventh, one thousand eight hundred and seventy-five, the same being numbered 482.

The effects of such improvement as herein described and claimed as my invention are as follows, viz. :—

- 1st. Cost of manufacture is reduced, as the expense of pipes, T's, and elbows and unions is avoided, as well as the large amount of labour necessary to fit and connect the same.
- 2nd. Durability and security are increased, as the risk of leakage or breakage from so large a number of joints, and the wear and tear of pipes is avoided.
- 3rd. Efficiency is increased, as in its passage through my improved apparatus the steam filtering slowly through the turnings, borings, filings, scraps, or other small pieces of iron or other oxidizable metal, comes in contact with a largely extended surface of metal which, being kept at a very high temperature, deprives the said steam of the oxygen or part of the oxygen it contains, thereby converting it into an inflammable gas, or into a mixture of inflammable gases.
- 4th. Repairs, if necessary, can be easily effected, as the metal turnings, borings, filings, scraps, or other small pieces of metal can be taken out when oxidized or otherwise rendered inoperative, and may be replaced with fresh ones, when the decomposition of the steam will go on as at first, whilst the joints and unions of the singular arrangement of pipes before-mentioned, after being for some time exposed to the action of any great heat, cannot be repaired.

The necessary plans with explanations accompany this specification.

HENRY BALDOCK.

This is the specification referred to in the annexed Letters of Registration granted to Henry Baldock, this nineteenth day of June, 1876.

HERCULES ROBINSON.

REPORTS.

SIR,

We do ourselves the honor to return to you the documents transmitted for our report, under your blank cover communication of the 28th ultimo, No. 2,902, which have reference to Mr. Henry Baldock's application for Letters of Registration for his invention, to be known as "Baldock's Smoke-preventer and Fuel-economizer"; and we have to state that we see no objection to the issue of Letters of Registration securing to Mr. Baldock his arrangement for the object specified, in accordance with his petition, drawings, specification, and claim.

We have, &c.,

GOTHER K. MANN.
CHAS. WATT.

THE PRINCIPAL UNDER SECRETARY.

Sydney, 9 May, 1876.

SIR,

We do ourselves the honor to return to you the documents transmitted for our reconsideration, under your blank cover communication of the 29th May.

After again carefully examining and comparing Mr. Clinch's and Mr. Baldock's specifications, drawings, and claims, we see no reason why Letters of Registration should not be granted to Mr. Baldock, securing to him his arrangement for the object specified, as stated in our letter of the 9th of May last.

We have, &c.,

GOTHER K. MANN.
CHAS. WATT.

THE PRINCIPAL UNDER SECRETARY.

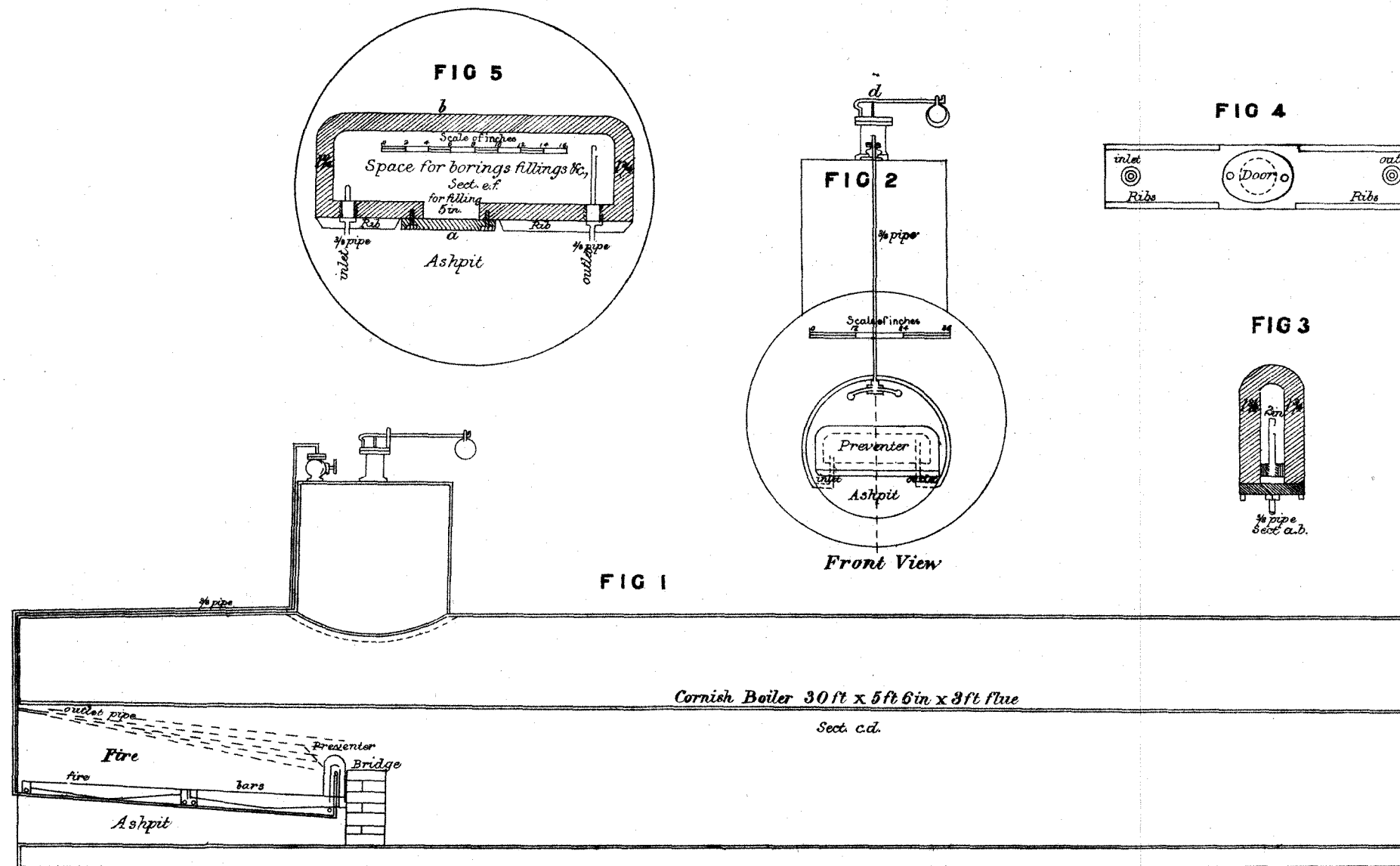
Sydney, 9 June, 1876.

[Drawings—one sheet.]

No. 530.

[Assignment of No. 387. See page 131 of Return of 9 July, 1875.]

PLAN OF BALDOCK'S SMOKE PREVENTER AND FUEL ECONOMISER



References

- Fig 1 Shows method of affixing the "Preventer" to a cornish boiler*
- 2 Front view of same*
- 3 Vertical section of "Preventer" showing inlet or outlet pipe and space for boring &c.,*
- 4 Underneath view of "Preventer" with openings for inlet and outlet pipes and door or lid for emptying or refilling*
- 5 Longitudinal section of "Preventer" with inlet and outlet pipes showing also door or lid for refilling with borings &c., and space for the same*

This is the Sheet of Drawings referred to in the annexed Letters of Registration granted to Henry Baldock this nineteenth day of June 1876

Hercules Robinson

[91]



A.D. 1876, 17th July. No. 531.

HEATHERINGTON'S PATENT ORE-SEPARATOR AND AMALGAMATOR.

LETTERS OF REGISTRATION to Alexander Heatherington, for an Improved Apparatus for separating metals, ores, or precious stones, from earth or other impurities.

[Registered on the 19th day of July, 1876, in pursuance of the Act 16 Vic. No. 24.]

BY HIS EXCELLENCY SIR HERCULES GEORGE ROBERT ROBINSON, Knight Grand Cross of the Most Distinguished Order of Saint Michael and Saint George, Governor and Commander-in-Chief of the Colony of New South Wales and its Dependencies, and Vice-Admiral of the same.

TO ALL TO WHOM THESE PRESENTS SHALL COME, greeting :

WHEREAS ALEXANDER HEATHERINGTON, of Fleet-street, in the City of London, England, hath by his Petition humbly represented to me that he is the author or designer of a certain invention or improvement in manufactures, that is to say, of an invention of "An improved Apparatus for separating metals, ores, or precious stones, from earth or other impurities," which is more particularly described in the specification marked A, and the two sheets of drawings marked B and C respectively, and the photograph of drawing, fig. 7, marked D, which are hereunto annexed; and that he, the said Petitioner, hath deposited with the Honorable the Treasurer of the said Colony of New South Wales the sum of Twenty Pounds sterling, for defraying the expense of granting these Letters of Registration, as required by the Act of Council, sixteenth Victoria, number twenty-four; and hath humbly prayed that I would be pleased to grant Letters of Registration, whereby the exclusive enjoyment and advantage of the said invention or improvement might be secured to him for a period of fourteen years: And I, being willing to give encouragement to all inventions and improvements in the arts or manufactures which may be for the public good, and having received a report favourable to the prayer of the said Petition from competent persons appointed by me to examine and consider the matters stated therein, and to report thereon for my information, am pleased, with the advice of the Executive Council, and in exercise of the power and authority given to me by the said Act of Council, to grant, and do by these Letters of Registration grant unto the said Alexander Heatherington, his executors, administrators, and assigns, the exclusive enjoyment and advantage of the said invention or improvement for and during the term of fourteen years from the date hereof: to have, hold, and exercise unto the said Alexander Heatherington, his executors, administrators, and assigns, the exclusive enjoyment and advantage thereof, for and during and unto the full end and term of fourteen years from the date of these presents next and immediately ensuing, and fully to be complete and ended: Provided always, that if the said Alexander Heatherington shall not, within three days after the granting of these Letters of Registration, register the same in the proper office in the Supreme Court, at Sydney, in the said Colony of New South Wales, then these Letters of Registration, and all advantages whatsoever hereby granted, shall cease and become void.

In witness whereof, I have hereunto set my sign manual, and have caused the present Letters of Registration to be sealed with the seal of the said Colony of New South Wales, at Government House, Sydney, in New South Wales, this seventeenth day of July, in the year of our Lord one thousand eight hundred and seventy-six.

(L.S.)

HERCULES ROBINSON.

*Heatherington's Patent Ore-separator and Amalgamator.*A.
SPECIFICATION.

HEATHERINGTON'S PATENT ORE-SEPARATOR AND AMALGAMATOR.

FIGURE 1 in the annexed drawing represents a vertical section through the centre of the apparatus.

- a.a.* being the bottom.
b.b. the delivery or receiving end (so-called).
c.c. the discharge end. (" ")
d.d. a strong grating forming one-half of the top or cover, and
e.e. a door forming the other half of the top or cover (locking into or on to *d.d.*) of a chest of wood or other suitable material, having doors at the sides which can be securely fastened by locks, bolts, or bars.
f.f. is a slanting board extending from side to side of the apparatus.
g.g. is a fine sieve resting against *c.c.* and *f.f.*
h.h. are alternately inverted inclined planes, trays, or sluices of wood or other suitable material, of which the higher end, called the "head," must be fitted close to the inside face of the apparatus, the lower end, called the "tail" or overflow, does not quite reach the opposite inner face of the apparatus, but rests upon it by pins, pegs, bolts, or other suitable contrivance fitting into spaces or holes cut for the purpose in the inner face of the apparatus, or of a false end.
m.m. a small hole in the delivery end of the apparatus, underneath the lowest sluice but one, through which steam may be introduced by a pipe in cold weather.
n.n. outlet for waste.

Figure 2 represents a tray or sluice of wood, or other suitable material.

- h.h.* is the surface, which may be plain, corrugated, or stepped, or covered with hides or blankets, or with amalgamable metal plates.
i.i. a space for the head to fit on to a shoulder-piece, false end, or any other suitable stay or support which shall keep it close to the face of the apparatus.
j.j. pins, bolts, or pegs fitting into holes or other suitable support in the face or false end of the apparatus, by which space is obtained for the overflow.

Figure 3 represents a suitable false end for the inner face of the apparatus to support the sluices.

- k.k.* acting as a support for the head, and
i.i. (holes) for the bolts, pegs, or pins which uphold the tail.

Figure 4 is an isometrical view of the front, top, and discharge end, showing the doors *o.o.*, which may be made to fold on hinges when the amalgamators stand near together, or they may be divided horizontally to facilitate frequent examination of the upper trays or sluices.

Figure 5, the same as the preceding, only that it shows the delivery instead of the discharge end.

Figure 6 is a horizontal section through the centre of the apparatus, showing—

- p.p.* a partition extending from end to end of the apparatus when employed as an amalgamator, and which may consist of sheet copper amalgamated, or of wood or metal with an amalgamable surface. When used simply as a concentrator, this partition is unnecessary.

Figure 7 is a photograph from a small model of the apparatus, showing the doors and lids open. (In trying to secure a view of the interior, the sluices fell out of position, and the photographer did not know how to arrange them again properly.)

The method of operating with the apparatus is as follows:—

When set in front of a stamp-battery or crusher rolls, the tailings or crusher material and water are conducted by means of a short sluice or launder on to the grating *d.d.*, through which they pass to impinge against the inclined board *f.f.*, and strain through the fine sieve *g.g.*, dropping then on to the head of the uppermost trough, or tray, or sluice *h.h.*, over which they flow on to the head of the next inclined trough, and so on until the undermost trough or tray is reached, which conducts the current to the outlet *n.n.*, where there should be a launder to receive and guide it to settling pits, or, if wholly valueless, to a waste heap.

The inclination of the several sluices, troughs, or trays must depend upon the quantity of water at disposal, and their number upon the height available and inclination given.

The greater the frequency of the steps the more thorough will be the separation. In practice, three or four inches will be a good interval, and one-sixteenth to one-eighth of an inch sufficient depth.

The space for overflow need not be more than one or two inches from the tail end of the sluice to the face or false end, which receives the supporting pins, pegs, or bolts.

The depth of fall between the tail end of one sluice and the head of the next need not be greater than will admit of ready inspection of the underlying sluice, and removal of plates, blankets, or hides when required.

When used for saving gold, the surface of the sluices may be covered with baize, blankets, hides, or amalgamable metal plates.

When used simply for washing substances of small intrinsic value, or where the contents are never left unguarded, the doors and top may be dispensed with.

The whole of the interior of the apparatus may be lined with amalgamable metal when used for saving gold.

What

Heatherington's Patent Ore-separator and Amalgamator.

What I claim as my invention is:—

1. The chest, *a, b, c, d, e*, in combination with all its parts, substantially as and for the purposes described, and shown in the drawing.
2. The inclined planes, troughs, or sluices arranged one above the other, and consisting of movable or immovable planes, trays, or troughs of wood or other suitable material, with stepped, corrugated, or plain surfaces, and intended to carry amalgamable metal plates, hides, or blankets, when the apparatus is used for saving gold, substantially as and for the purposes described and shown in the drawing.
3. The partition *p.p.*, consisting of one or more metal plates, or of wood or metal lined with an amalgamable metal surface on one or both sides when used as an amalgamator, substantially as and for the purposes described and shown in the drawing.

Halifax, N. S., 4 August, 1875.

ALEXANDER HEATHERINGTON.

This is the specification marked A, referred to in the annexed Letters of Registration granted to Alexander Heatherington, this seventeenth day of July, A.D. 1876.

HERCULES ROBINSON.

REPORT.

SIR,

The application of Mr. Alex. Heatherington for Letters of Registration for an "Improved Apparatus for separating metals, ores, or precious stones from earth or other impurities," having been referred to us, we have examined the specification and drawings accompanying the same, and have now the honor to report that we see no objection to the issue of Letters of Registration in accordance with the Petition, specification, and drawings submitted.

Sydney, 19 June, 1876.

We have, &c.,

J. SMITH.
GOTHER K. MANN.

THE PRINCIPAL UNDER SECRETARY.

[Drawings—three sheets.]

(Copy) B

[531]

HEATHERINGTON'S PATENT ORE SEPARATOR
AND AMALGAMATOR.

FIG 1.

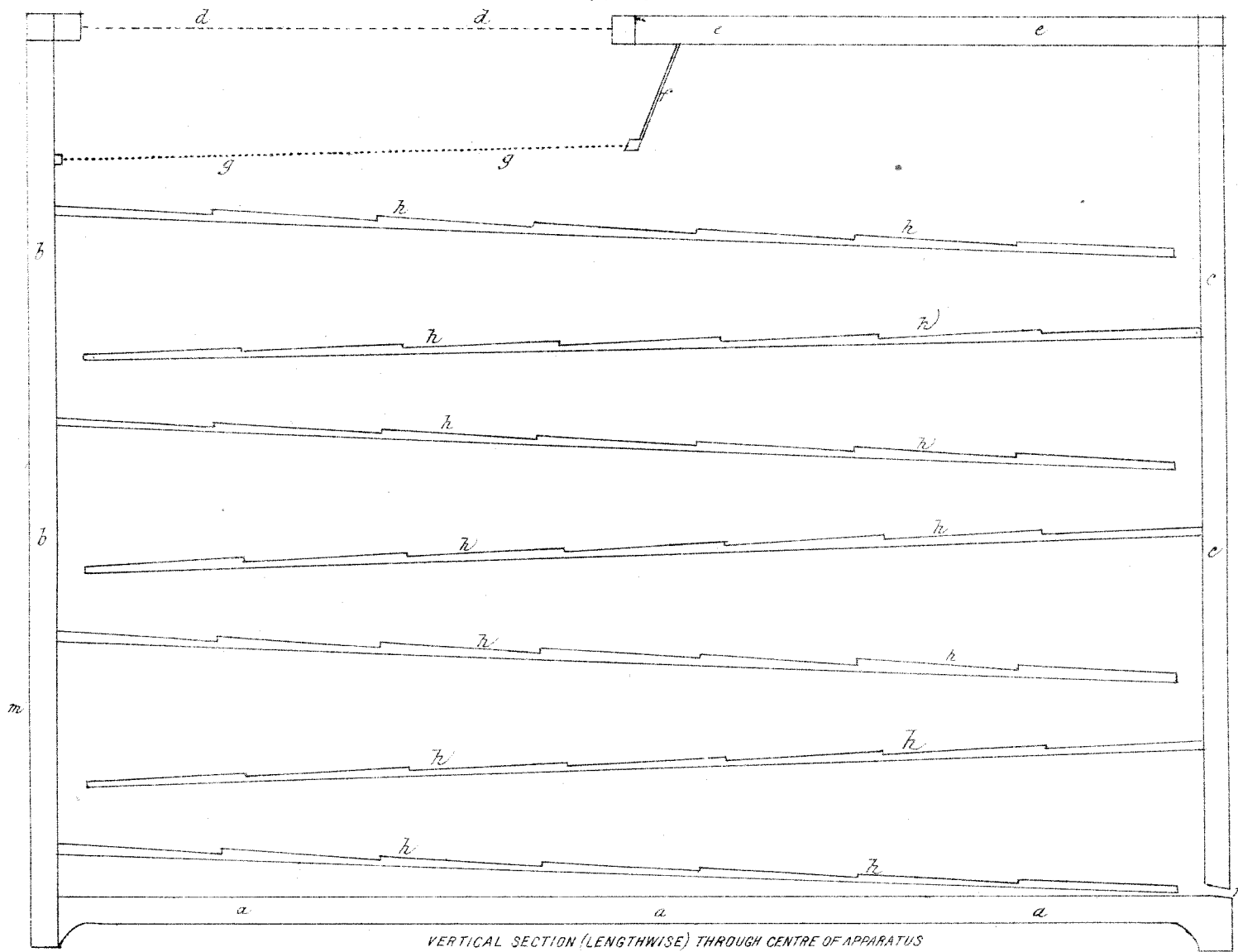
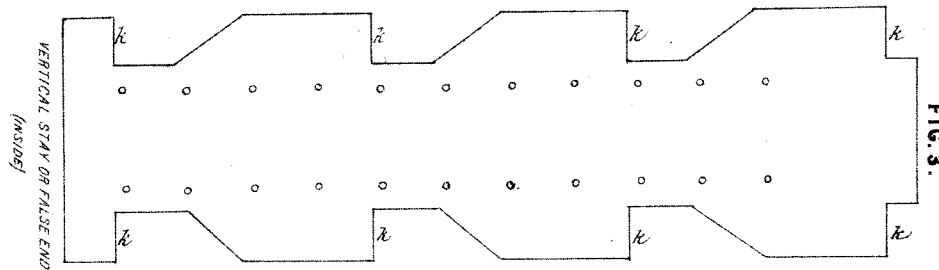
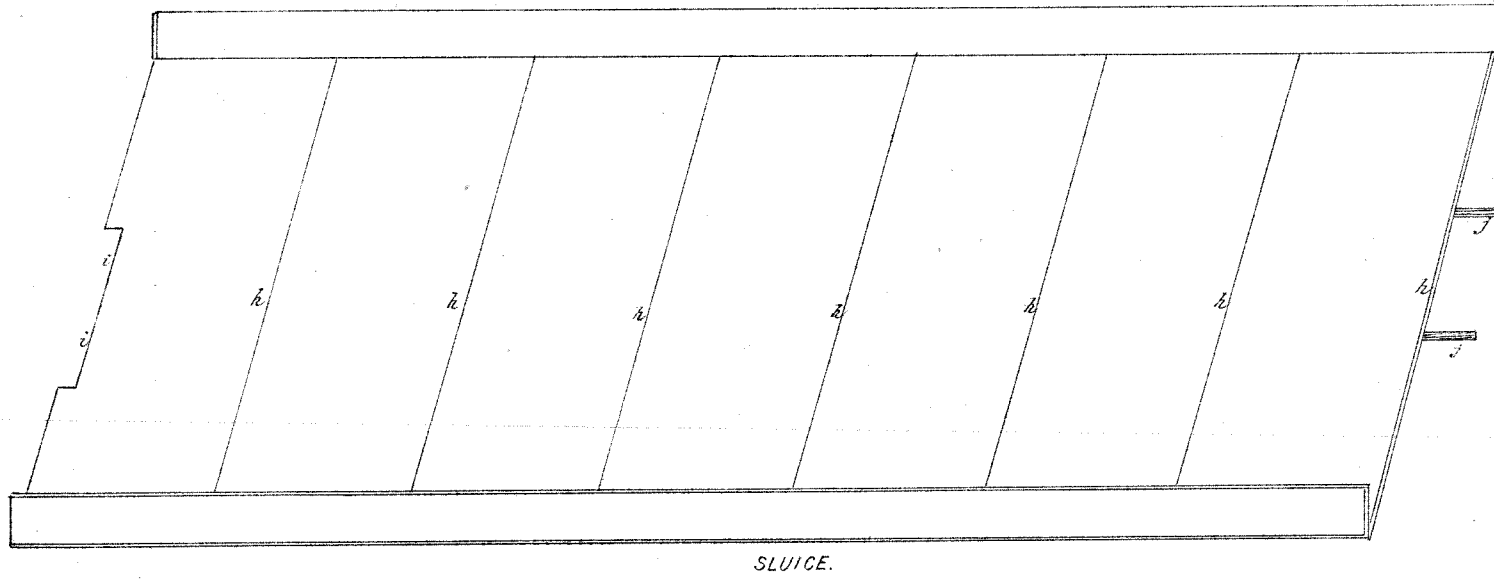


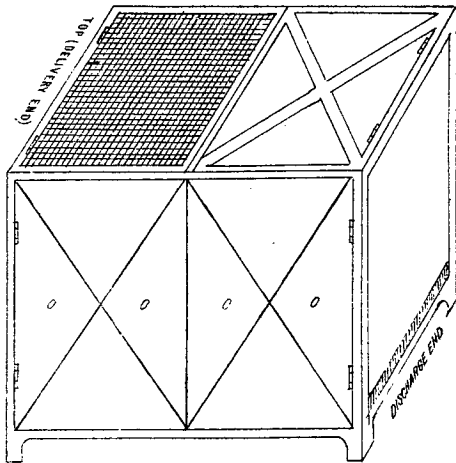
FIG 2



*This is the Sheet of Drawings marked "B," referred to in the annexed
Letters of Registration granted to Alexander Heatherington, this
seventeenth day of July, A.D. 1876*

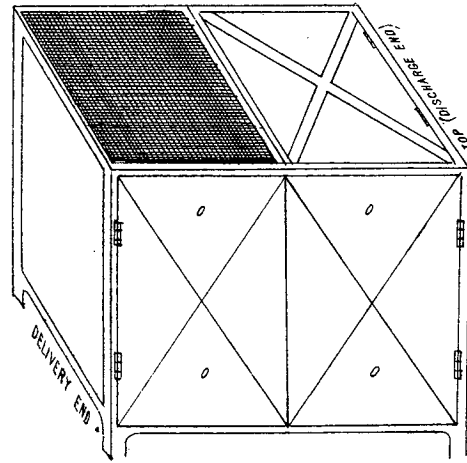
Hercules Robinson.

FIG. 4.



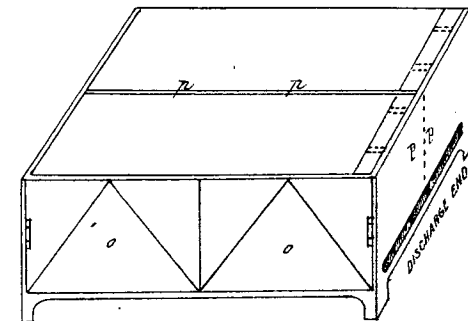
FRONT, TOP, AND END VIEW

FIG. 5.



END, FRONT, AND TOP VIEW.

FIG. 6.

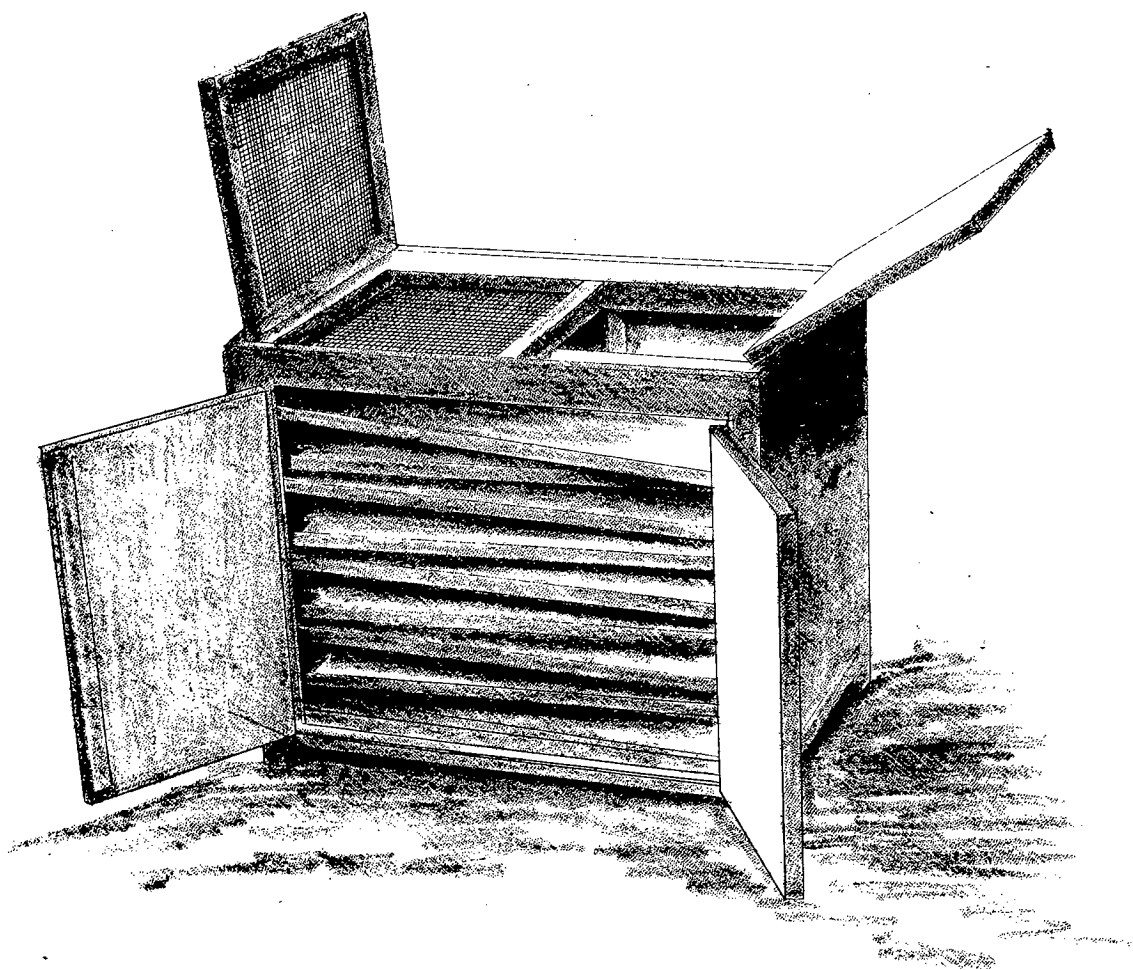


HORIZONTAL SECTION THRO' THE CENTRE

This is the Sheet of Drawings marked "C," referred to in the annexed Letters of Registration granted to Alexander Heatherington; this seventeenth day of July, A.D. 1876

Hercules Robinson.

FIG. 7



This is the Drawing marked D, referred to in the annexed Letters of Registration granted to Alexander Heatherington, this seventeenth day of July, A.D. 1876.

Hercules Robinson.



A.D. 1876, 21st July. No. 532.

IMPROVEMENTS IN THE MANUFACTURE OF PRESERVED MEAT.

LETTERS OF REGISTRATION to Friedrich Leybold, for Improvements in the manufacture of Preserved Meat.

[Registered on the 22nd day of July, 1876, in pursuance of the Act 16 Vic. No. 24.]

BY HIS EXCELLENCY SIR HERCULES GEORGE ROBERT ROBINSON, Knight Grand Cross of the Most Distinguished Order of Saint Michael and Saint George, Governor and Commander-in-Chief of the Colony of New South Wales and its Dependencies, and Vice-Admiral of the same.

TO ALL TO WHOM THESE PRESENTS SHALL COME, greeting:

WHEREAS FRIEDRICH LEYBOLD, of Santiago, in the Republic of Chili, chemist, hath by his Petition humbly represented to me that he is the author or designer of a certain invention or improvement in manufactures, that is to say, of an invention for "Improvements in the manufacture of Preserved Meat," which is more particularly described in the specification which is hereunto annexed, and that he, the said Petitioner, hath deposited with the Honorable the Treasurer of the said Colony of New South Wales the sum of Twenty Pounds sterling, for defraying the expense of granting these Letters of Registration, as required by the Act of Council, sixteenth Victoria, number twenty-four; and hath humbly prayed that I would be pleased to grant Letters of Registration, whereby the exclusive enjoyment and advantage of the said invention or improvement might be secured to him for a period of fourteen years: And I, being willing to give encouragement to all inventions and improvements in the arts or manufactures which may be for the public good, and having received a report favourable to the prayer of the said Petition from competent persons appointed by me to examine and consider the matters stated therein, and to report thereon for my information, am pleased, with the advice of the Executive Council, and in exercise of the power and authority given to me by the said Act of Council, to grant, and do by these Letters of Registration grant unto the said Friedrich Leybold, his executors, administrators, and assigns, the exclusive enjoyment and advantage of the said invention or improvement, for and during the term of fourteen years from the date hereof: to have, hold, and exercise unto the said Friedrich Leybold, his executors, administrators, and assigns, the exclusive enjoyment and advantage thereof, for and during and unto the full end and term of fourteen years from the date of these presents next and immediately ensuing, and fully to be complete and ended: Provided always, that if the said Friedrich Leybold shall not, within three days after the granting of these Letters of Registration, register the same in the proper office in the Supreme Court at Sydney, in the said Colony of New South Wales, then these Letters of Registration, and all advantages whatsoever hereby granted, shall cease and become void.

In witness whereof, I have hereunto set my sign manual, and have caused the present Letters of Registration to be sealed with the seal of the said Colony of New South Wales, at Government House, Sydney, in New South Wales, this twenty-first day of July, in the year of our Lord one thousand eight hundred and seventy-six.

(L.S.)

HERCULES ROBINSON.

Improvements in the manufacture of Preserved Meat.

SPECIFICATION of FRIEDRICH LEYBOLD, of Santiago, in the Republic of Chili, chemist, for an invention intituled "Improvements in the Manufacture of Preserved Meat."

THIS invention relates to the manufacture of condensed meat in such a manner that it may be preserved for a very long time in a perfectly sound condition, and without depriving it of any of its nutritious properties.

The real alimentary substances contained in meat are as follows:—Albumen, glutine or gelatine, the extractive matters, as creatine and the like, which form, in fact, the so-called Leibig's extract of meat, the fatty matters, and the soluble salts.

Now, it is well-known that Leibig's extract of meat does not contain either albumen or glutine or fatty matters, and their absence is the reason why such an extract cannot and does not form an efficacious nutriment, since it is by no means a former of blood.

All salted meats, that is, all those meats which are preserved by means of strong brine, as, for instance, chloride of sodium, sulphurous oxide of lime, ca. s., acetate of lime, or acetate of soda, or others, are objectionable, for the reason that, besides their considerable cost, the very salts and liquids which ought to preserve the meat tend instead rather towards its injury, for the obvious reason that these liquids dissolve and extract the albumen, glutine, all the creatine and its allies, and the soluble salts, leaving in the end only the mere fibre and the fatty matters; moreover, salted meats of various descriptions are injurious to health when used frequently, as is proved by that terrible scourge, the scurvy.

Canadian pemmican is only dried meat, afterwards coarsely ground and mixed with melted grease or fat; but in this process the meat undergoes a rapid decomposition on account of the fatty matter becoming rancid and rendering the whole nauseous, and it is, moreover, attacked by insects at once, and thereby rendered utterly worthless.

Boiled meat enclosed and soldered up in tin cannisters or the like is comparatively very costly, and its great bulk prevents its use on all occasions in which time and space are matters of great consideration.

This invention, which has had a fair trial in many long voyages by sea and by land, combines in itself all the requisites which can be desired in a thoroughly wholesome nourishing food. Shaped in the handiest form and smallest compass possible, invulnerable against the deleterious influence of air, the attacks of insects, and even to a certain extent against humidity or moisture, it is extremely cheap, its cost being much below that of all other systems, and it affords the very best substitute for flesh meat hitherto known.

The following is the method or process of preparing condensed meat according to this invention:—

The meat or muscular flesh is deprived mechanically of the fatty parts; then it is cut into very thin slices or shreds. I prefer that the meat should be cut transversely across the muscular fibre, producing a broad sheet or flake which will dry very quickly. Thick strips take a very long time to dry, and then only dry imperfectly. These flakes or slices of meat, either salted or unsalted, are hung up to dry in dry open air, or are laid down to dry on hurdles made of cane or wickerwork, which will allow the air to pass through them.

The process of drying must be effected, except in dry climates, in sheds arranged for this purpose, with a certain temperature and a constant draught of warm air sufficient to carry off the moisture. When the flakes or slices are air-dry they are placed in a room or large case, in which the temperature can be elevated to such a degree as will well nigh roast them. About the same result may be attained by carefully roasting the slices or flakes on a gridiron; but great care must be employed in order that excessive heat shall not destroy or alter the nourishing contents. The material once arrived at this state is then allowed to cool and immediately taken to a mill, grindstone, cylinder, mortar, or other machine which may be found suitable to break the brittle fibres into a sort of coarse meal. If the drying and roasting process has been carried on with the necessary care and attention, this meat-flour, as we now may call it, will then be ready for compression; but if overheated, or if very fat, this meat-flour in the final heating is apt to become brittle, and the partially dried up or overheated glucy and extractive matters will become so much enveloped by the fatty substances that the pemmican, instead of combining properly, or caking as it were under the pressure, will never obtain the cohesion required. To obviate this difficulty it is necessary, besides using the greatest watchfulness, that the heat should never rise much above 212° Fahrenheit, to add a material the tendency and result of which are to augment the cohesion of the particles and render them impermeable to atmospheric air, and thus bind and protect the condensed meat so effectually that it will bear handling as well as the external attacks of air and insects.

These objects are accomplished by adding to the meat-flour, after the coarser parts of shreds of the tendons have been withdrawn by means of sieves or other similar contrivances proper for this purpose; from three to six per cent. of finely powdered glutine or gelatine.

When the meat-flour is mixed with its proper proportion of gelatine powder it is introduced into a large closed and heated vat or vessel, and a jet of steam is injected into the warm meat-flour whilst it is being stirred by an apparatus fixed in the said vessel. This jet of steam pervading through the powdered material in motion for a very short time only has the effect of dissolving enough of the gelatinous matter it contained in such a manner that the mass when taken out hot and pressed in proper moulds will cohere and form a tough and solid block.

I have obtained a very similar result by sprinkling over the mass in the mixing vat a solution of gelatine, but the product is not so firm and well combined as when heated in the manner above described.

These blocks are now exposed for some hours to a draught of warm and dry air, and then once or twice coated with a hot solution of gelatine and glycerine. The presence of glycerine in the coating I deem advisable, because it gives to the gelatine a certain elasticity which will prevent the cracking and crumbling of the otherwise too brittle coating or rind, a fact which is highly important. Lastly, if the blocks or cakes are to be exposed to extreme moisture they ought to be covered by a coating of collodion, which can easily be removed by cutting open the cake and immersing it in water.

It

Improvements in the manufacture of Preserved Meat.

It is obvious that by introducing into the mass during the final mixing with gelatine ingredients such as salt, pepper, marjoram, curry powder, amyllum of various kinds, or bread or biscuits in small fragments, a variety of highly palatable and thoroughly wholesome dishes can be made in an instant from this pemmican.

If the albumen of the blood of cattle is separated in the serum from the fibrine and hematosin by means of a centrifugal beater in a closed vat, and then dried at a low temperature not exceeding 125° Fahrenheit, it may be powdered, and when added to the meat-flour will become a highly nutritious constituent of the pemmican, and help to lessen considerably the waste and loss of the slaughterhouse.

This improved product or "Pemmican Leybold" can be eaten in case of necessity just as it is prepared. If a soup is required, all that has to be done is to dissolve the pemmican in hot water. If a stew or hash is needed, the quantity of water added is simply reduced according to taste. It serves also very well for pies and puddings and the like.

Claims.

First. The improved method or process of preparing condensed meat, so that it may be preserved for a great length of time with unimpaired nutritious properties as above described.

Second. The improved product consisting of the condensed meat or "Pemmican Leybold," prepared and formed into blocks or cakes, with a protective coating or covering as above described.

—

This is the specification referred to in the annexed Letters of Registration granted to Friedrich Leybold, this twenty-first day of July, A.D. 1876.

HERCULES ROBINSON.

REPORT.

SIR,

In the matter of the application of Mr. Friedrich Leybold for Letters of Registration for "Improvements in the manufacture of Preserved Meat," which has been referred to us, we have the honor to report that we have examined the specification accompanying the same, and see no objection to the issue of Letters of Registration as prayed for.

Sydney, 16 June, 1876.

We have, &c.,

J. SMITH.
CHAS. WATT.

THE PRINCIPAL UNDER SECRETARY.

[99]



A.D. 1876, 21st July. No. 533.

IMPROVEMENTS IN ROASTING FURNACES, &c.

LETTERS OF REGISTRATION to Henri Herrenschmidt, for Improvements in Roasting Furnaces and an Apparatus connected therewith.

[Registered on the 22nd day of July, 1876, in pursuance of the Act 16 Vic. No. 24.]

BY HIS EXCELLENCY SIR HERCULES GEORGE ROBERT ROBINSON, Knight Grand Cross of the Most Distinguished Order of Saint Michael and Saint George, Governor and Commander-in-Chief of the Colony of New South Wales and its Dependencies, and Vice-Admiral of the same.

TO ALL TO WHOM THESE PRESENTS SHALL COME, greeting :

WHEREAS HENRI HERRENSCHMIDT, late of Costerfield, but now of Melbourne, in the Colony of Victoria, civil engineer, hath by his Petition humbly represented to me that he is the author or designer of a certain invention or improvement in manufactures, that is to say, of an invention of "Improvements in Roasting Furnaces and an apparatus connected therewith," which is more particularly described in the specification and sheet of drawings, marked respectively A and B, which are hereunto annexed ; and that he, the said Petitioner, hath deposited with the Honorable the Treasurer of the said Colony of New South Wales the sum of Twenty Pounds sterling, for defraying the expense of granting these Letters of Registration, as required by the Act of Council, sixteenth Victoria, number twenty-four ; and hath humbly prayed that I would be pleased to grant Letters of Registration, whereby the exclusive enjoyment and advantage of the said invention or improvement might be secured to him for a period of fourteen years : And I, being willing to give encouragement to all inventions and improvements in the arts or manufactures which may be for the public good, and having received a report favourable to the prayer of the said Petition, from competent persons appointed by me to examine and consider the matters stated therein, and to report thereon for my information, am pleased, with the advice of the Executive Council, and in exercise of the power and authority given to me by the said Act of Council, to grant, and do by these Letters of Registration grant unto the said Henri Herrenschmidt, his executors, administrators, and assigns, the exclusive enjoyment and advantage of the said invention or improvement, for and during the term of fourteen years from the date hereof : to have, hold, and exercise unto the said Henri Herrenschmidt, his executors, administrators, and assigns, the exclusive enjoyment and advantage thereof, for and during and unto the full end and term of fourteen years from the date of these presents next and immediately ensuing, and fully to be complete and ended : Provided always, that if the said Henri Herrenschmidt shall not, within three days after the granting of these Letters of Registration, register the same in the proper office in the Supreme Court at Sydney, in the said Colony of New South Wales, then these Letters of Registration, and all advantages whatsoever hereby granted, shall cease and become void.

In witness whereof, I have hereunto set my sign manual, and have caused the present Letters of Registration to be sealed with the seal of the said Colony of New South Wales, at Government House, Sydney, in New South Wales, this twenty-first day of July, in the year of our Lord one thousand eight hundred and seventy-six.

(L.S.)

HERCULES ROBINSON.

Improvements in Roasting Furnaces, &c.

A.

SPECIFICATION of HENRI HERRENSCHMIDT, late of Costerfield, but now of Melbourne, in the Colony of Victoria, civil engineer, for an invention intituled "Improvements in Roasting Furnaces and an Apparatus connected therewith."

My invention consists chiefly in the use of a conical revolving purifying chamber with its smaller end leading to the chimney stack or sulphur chamber, and so set as that a horizontal line will strike the centre of both entrance and exit. The cone should only be of such a degree as that when thus set the lower side of the discharge end of a forty feet chamber will be about eighteen inches below the lower side of the entrance or smaller end, provision being made for the supply of air as required. This chamber requires a fire-place, ash-pit, and roasted ore receptacle at one end, and a chimney stack at the other, in order to be a complete roasting furnace; but in addition to this, I sometimes introduce (as in the case of antimony ores) a hydrogen gas generator between the fire-place and the conical chamber, and a fan and sulphur chamber between the upper end of such chamber and the stack as hereinafter more particularly described and explained. The fire-place and roasted ore receptacle I prefer to make movable, as shown in the drawings.

The revolving chamber is made of iron lined with brick or brick earth. It has a series of projecting stops on its inner periphery to keep the material under treatment well stirred up. At either end it is made tolerably air-tight by fitting close to the fire-place at one end and against the brickwork of the stack at the other. It is supported on friction rollers, resting on bearings sustained by a series of brick or wooden piers, and is revolved by means of a belt passing quite around it. The material to be treated is supplied to its smaller end.

The hydrogen gas generator consists of a bed covered with iron or iron ore. Into this steam is conducted through one or more pipes, the atmospheric air supply pipe being meanwhile closed. The oxygen of the steam combines with the iron, thus setting the hydrogen free, which then passes away into the revolving chamber, and combines with the remaining sulphur in the charge nearest to it.

The fire-place is of the ordinary kind, except that it is made movable, and the fan in the sulphur chamber may be of any suitable construction.

The air supply pipes are made straight and conical, with the larger end outwards, and so placed as to allow of the interior of the revolving chamber being seen through them.

Referring to the drawings hereto attached, figure 1 shows side elevation of a roasting furnace constructed according to this invention, the dotted lines showing how the sulphur chamber is added when required; figure 2, longitudinal section thereof; figure 3, horizontal section on the line *ab* in figure 1; figure 4, front end elevation; figure 5, back end elevation; figure 6, cross section on line *cd* in figure 3, and figure 7, part of a longitudinal section of furnace when supplied with a hydrogen gas generator. A is the fire-place; B the revolving conical purifying chamber having door B¹ at its further extremity; C the receiving chamber for the purified ore, consisting of a truck travelling on rails C¹; DD the atmospheric air flues; E the ash-pit; F the hydrogen gas generator, into which steam is conveyed through pipes F¹; B¹B¹ are the stops, and B²B² the respective charges in the conical chamber B; B³B³ are the friction rollers, and B⁴B⁴ the piers, B⁵ being the belt which drives it; D¹ is the damper which regulates the supply of air to the chamber B; G is the sulphur chamber.

The mode of operation is as follows:—A fire having been lighted in the fire-place and the whole furnace heated, a charge is supplied to the upper end of the conical chamber through door B¹, which is then closed. This is then set in motion, making, in the case of antimony ore, about one revolution in five minutes, and in about two hours the charge will have travelled about one-fifth of the length of the chamber. Another charge is then supplied through the door to the chamber as before, and so on, charge after charge as long as it is considered desirable to continue work, the roasted ore being discharged into the truck C, and from thence carried to any required spot for further treatment. In treating antimony ore, after about eight hours the charge reaches the position B² which is nearest the hydrogen generator, the air to the fire-place is then cut off, and the damper D¹ closed; steam is admitted to the hydrogen gas generator, and the hydrogen produced passing into the conical chamber comes into contact with the first charge, and combining with whatever sulphur may remain carries it off in the shape of sulphuretted hydrogen. The fan, which has previously emptied the furnace of its oxygen carbonic acid and other gases, drawing this fresh product and discharging it into the outer chamber G. After this has been proceeding for about twenty minutes, I reopen the air supplies to fire-place and purifying chamber, and cut off the steam from the gas generator, allowing the whole of that charge to discharge itself into receiving chamber C, as shown in figure 2. When this is accomplished, I reclose the air supplies and generate fresh hydrogen as before. The air supply pipes I also use for the purpose of inspecting the interior of the revolving chamber from time to time, whilst in the event of its becoming necessary, I remove the fire-place and gas generator so as to leave the end of this conical chamber quite open.

The heat produced by the fuel must be of such a degree as is needful to drive off the sulphur, et cetera, from the crushed ores under treatment, without volatilizing the material itself, and the entrance into the purifying chamber for the heated gases should be at such a height as to admit of their passing over the nearest charge which, having been longest under treatment, does not require it, but is being meanwhile cooled by the atmospheric air supplied through the air flues. In the event of sulphide of antimony being the material treated, the product would be grey oxide of antimony slightly impregnated with metallic antimony. The whole of this would have to be taken away, further purified, smelted, and cast into ingots.

What I have called a charge means about five or six hundred weight of crushed ore, but of course this, as well as the time during which it is under treatment, and the speed at which the revolving chamber must be driven, will vary with the size of the furnace and the nature of the material treated.

Having thus described the nature of my invention and the manner of performing same, I would have it understood that I do not confine myself to precise details so long as the nature of my said invention be retained; but

Improvements in Roasting Furnaces, &c.

I claim—

First. The use of a conical revolving purifying chamber in roasting furnaces, substantially as herein described and explained.

Second. The combination and arrangement of a fire-place and hydrogen generator at one end of the purifying chamber of a roasting furnace with a fan for exhausting it at the other, as described.

Third. The use of a movable fire-place A and receptacle C in combination with a conical revolving purifying chamber B, in the manner and for the purposes herein described and explained.

This is the specification marked A, referred to in the annexed Letters of Registration, granted to Henri Herrenschildt, this twenty-first day of July, A.D. 1876.

HERCULES ROBINSON.

REPORTS.

SIR,

We do ourselves the honor to return to you the documents transmitted for our report under your B.C. communication of the 13th ultimo, No. 76/1,871, which have reference to Mr. Henri Herrenschildt's application for Letters of Registration for his invention for "Improvements in Roasting Furnaces and in Apparatus connected therewith"; and we beg to state that we see no objection to the issue of the Letters of Registration applied for in terms of Mr. Herrenschildt's Petition, drawings, specification, and claim.

Sydney, 13 April, 1876.

We have, &c.,
GOTHER K. MANN.
CHAS. WATT.

THE PRINCIPAL UNDER SECRETARY.

SIR,

In returning to you the documents transmitted for our further report, under your blank cover of the 19th instant, we do ourselves the honor to state that we see no objection to the substitution of Mr. Henri Herrenschildt's amended specification for that originally deposited, which amended specification, in conjunction with Mr. Herrenschildt's drawings, confines his claim definitely to a conical revolving chamber.

Sydney, 27 June, 1876.

We have, &c.,
GOTHER K. MANN.
CHAS. WATT.

THE PRINCIPAL UNDER SECRETARY.

[Drawings—one sheet.]

No. 534.

[Assignment of No. 490. See page 107 of Return of 27 March, 1878.]

H. HERRENSCHMIDT'S — PATENT

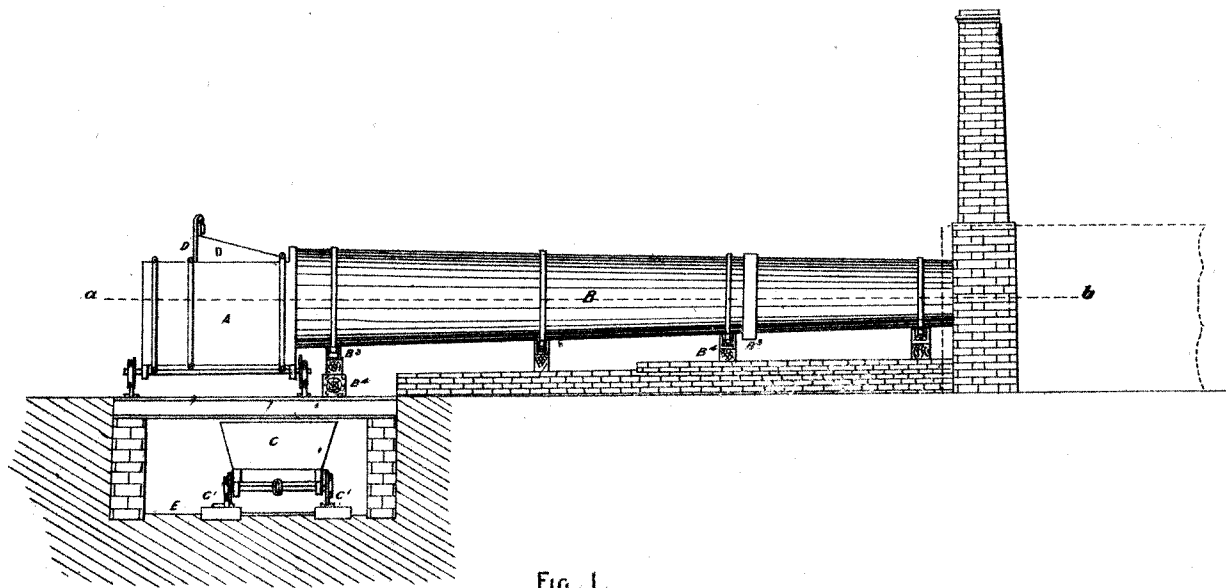


FIG. 1.

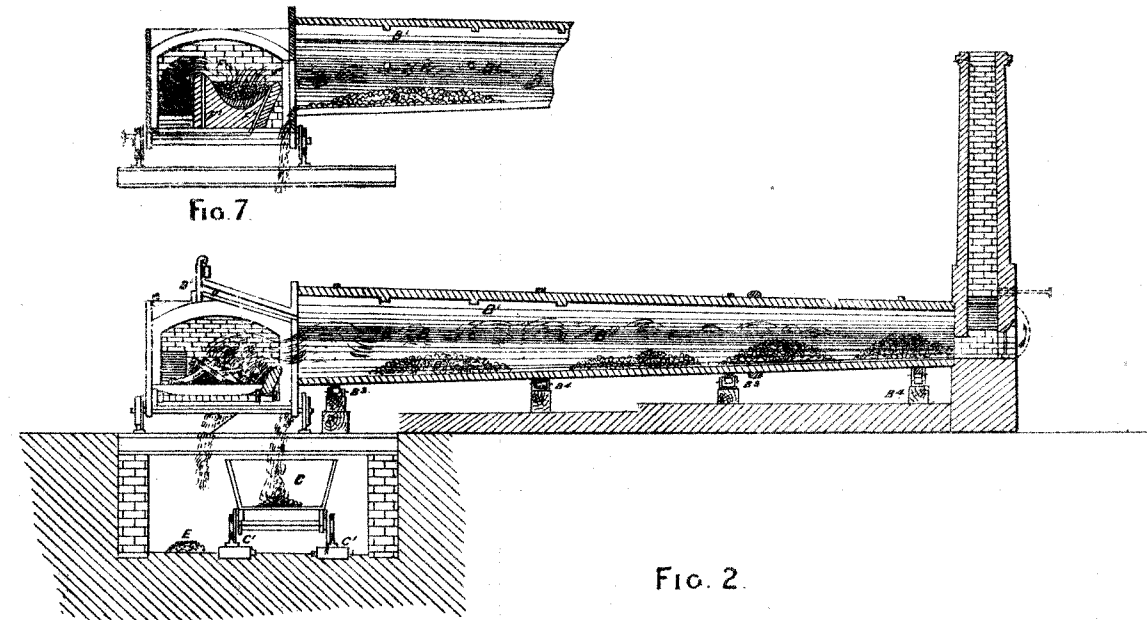


FIG. 2.

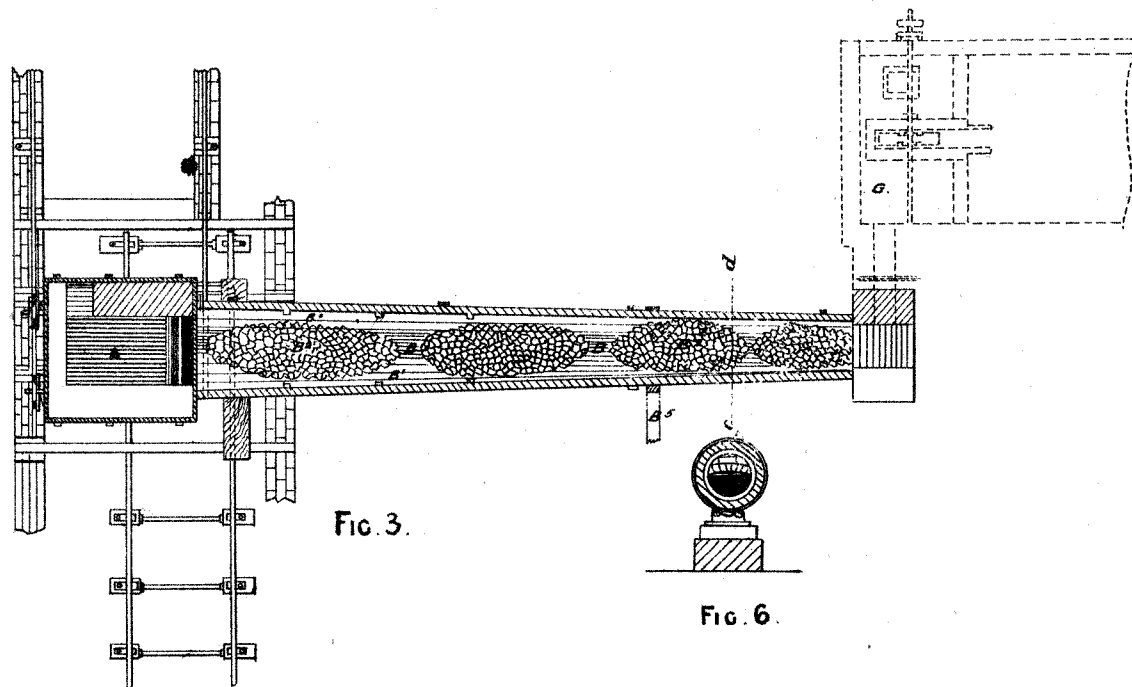


FIG. 3.

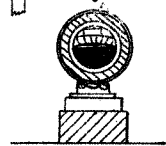


FIG. 6.

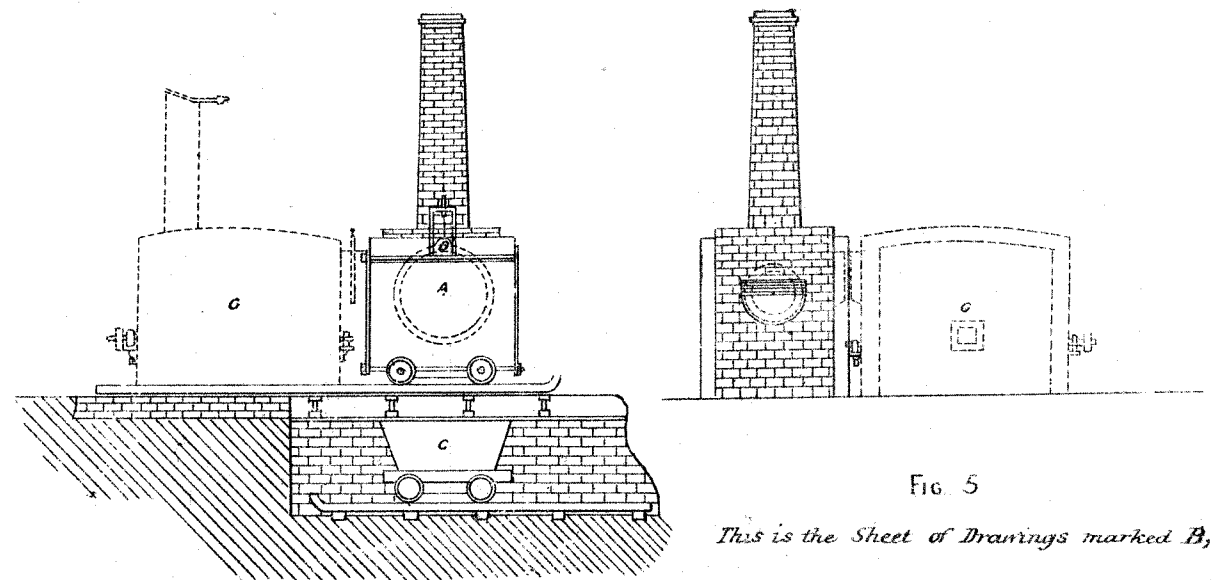


FIG. 4.

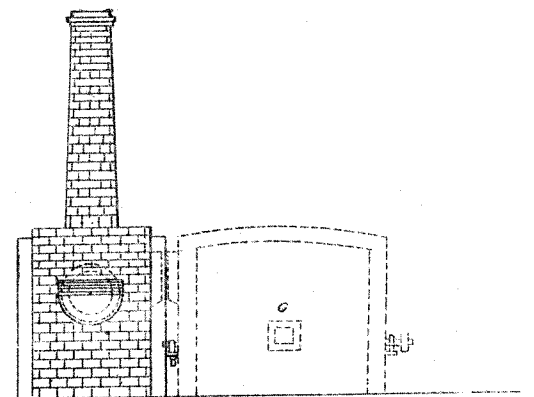


FIG. 5.

This is the Sheet of Drawings marked B, referred to the annexed letters of registration granted to Henri Herrenschildt, this twenty-first day of July, A.D. 1876.

Hercules Robinson

[103]



A.D. 1876, 4th August. No. 535.

INVENTION FOR THE ECONOMIC PRODUCTION OF ARTIFICIAL STONE.

LETTERS OF REGISTRATION to Eugene Dominique Nicolle and Thomas Sutcliffe Mort, for an Invention for the economic production of Artificial Stone.

[Registered on the 5th day of August, 1876, in pursuance of the Act 16 Vic. No. 24.]

BY HIS EXCELLENCY SIR HERCULES GEORGE ROBERT ROBINSON, Knight Grand Cross of the Most Distinguished Order of Saint Michael and Saint George, Governor and Commander-in-Chief of the Colony of New South Wales and its Dependencies and Vice-Admiral of the same.

TO ALL TO WHOM THESE PRESENTS SHALL COME, greeting :

WHEREAS EUGENE DOMINIQUE NICOLLE and THOMAS SUTCLIFFE MORT, of Sydney, in the Colony of New South Wales, have by their Petition humbly represented to me that they are the authors or designers of a certain invention or improvement in manufactures, that is to say, of an "Invention for the economic production of Artificial Stone," which is more particularly described in the specification which is hereunto annexed; and that they, the said Petitioners, have deposited with the Honorable the Treasurer of the said Colony of New South Wales the sum of Twenty Pounds sterling, for defraying the expense of granting these Letters of Registration, as required by the Act of Council, sixteenth Victoria, number twenty-four; and hath humbly prayed that I would be pleased to grant Letters of Registration, whereby the exclusive enjoyment and advantage of the said invention or improvement might be secured to them for a period of fourteen years: And I, being willing to give encouragement to all inventions and improvements in the arts or manufactures which may be for the public good, and having received a report favourable to the prayer of the said Petition, from competent persons appointed by me to examine and consider the matters stated therein, and to report thereon for my information, am pleased, with the advice of the Executive Council, and in exercise of the power and authority given to me by the said Act of Council, to grant, and do by these Letters of Registration grant unto the said Eugene Dominique Nicolle and Thomas Sutcliffe Mort, their executors, administrators, and assigns, the exclusive enjoyment and advantage of the said invention or improvement for and during the term of fourteen years from the date hereof: to have, hold, and exercise unto the said Eugene Dominique Nicolle and Thomas Sutcliffe Mort, their executors, administrators, and assigns, the exclusive enjoyment and advantage thereof, for and during and unto the full end and term of fourteen years from the date of these presents next and immediately ensuing, and fully to be complete and ended: Provided always, that if the said Eugene Dominique Nicolle and Thomas Sutcliffe Mort shall not, within three days after the granting of these Letters of Registration, register the same in the proper office of the Supreme Court, at Sydney, in the said Colony of New South Wales, then these Letters of Registration, and all advantages whatsoever hereby granted, shall cease and become void.

In witness whereof, I have hereunto set my sign manual, and have caused the present Letters of Registration to be sealed with the seal of the said Colony of New South Wales, at Government House, Sydney, in New South Wales, this fourth day of August, in the year of our Lord one thousand eight hundred and seventy-six.

(L.S.)

HERCULES ROBINSON.

Invention for the economic production of Artificial Stone.

TO ALL TO WHOM THESE PRESENTS SHALL COME, we, EUGENE DOMINIQUE NICOLLE and THOMAS SUTCLIFFE MORT, both of Sydney, in the Colony of New South Wales, send greeting:

WHEREAS we are desirous of obtaining Letters of Registration for securing unto us Her Majesty's Special License that we, our executors, administrators, and assigns, or such other as we or they should at any time agree with, and no others, should, or lawfully might, from time to time, and at all times during the term of fourteen years, to be computed from the day on which this instrument is left at the office of the Colonial Secretary, in Sydney, make, use, exercise, and vend within the Colony of New South Wales, "An invention for the economic production of Artificial Stone," and, in order to obtain the said Letters of Registration, we must, by an instrument in writing under our hands, particularly describe and ascertain the nature of the said invention, and in what manner the same is to be performed. Now know ye, that we, the said Eugene Dominique Nicolle and Thomas Sutcliffe Mort, do hereby declare the nature of the said invention, and the manner performed, to be particularly described and ascertained in and by the following statement and description, that is to say—

SPECIFICATION.

Our invention consists of an improved method of producing artificial stone without the aid of any of the more costly cements commonly used in the manufacture thereof, such as Portland, &c., natural hydraulic lime.

The substances we employ in the manufacture of artificial stone for ordinary purposes are sand, lime, and clay, and by preference in the following proportions, viz.:—

Clean sand	22½ lbs.
Lime	1¼ "
Silicate of alumina	3 "
Hydraulic lime as made by our plan	6 ozs.

Having described the materials we ordinarily and by preference employ in our manufacture, and the proportions in which by preference we use them, we now proceed to describe the way in which we deal with the same—

- 1st. We make lime into a fine paste by perfectly slacking it, grinding it or not according to the nature of the lime.
- 2nd. We calcine silicate of alumina at a red heat, and then grind it into a fine powder. The finer the grain of the clay the better, and the finer the powder the better.
- 3rd. We again take lime and silicate of alumina, by preference in about equal proportions, and ultimately mix the same either in a wet or dry state, by preference wet, which, after putting in convenient form, we dry and then roast, thus forming our hydraulic lime.
- 4th. The quantity of sand will of course be determined by the amount of material decided to be made in a batch, and of this sand a portion is introduced into a pug mill, say a fourth or a fifth of it, according to the moisture in the sand, together with the whole of the required proportions of hydraulic lime, calcined clay, and common lime, the latter being brought into a fine paste by slacking with as little water as possible, and the clay into as fine a powder as may be, the finer the better. The whole must be well mixed in the pug mill, and then the remaining portion of the sand must be added, and the mixing continued until the surfaces of the sand are coated by the lime and clay. Should the sand be wet the paste lime must be stinted of water proportionally—if dry made more moist, and in the event of the materials showing an excess of moisture, a little more powdered clay or hydraulic lime must be added to absorb it.

The proportions specified may be varied by increasing the quantity of sand or clay, either or both, or by diminishing the lime; but for all practical purposes we prefer the proportions hereinbefore named. Any tone may be given to the material by the introduction of finely powdered colour, or it may be faced with granite or marble, by using those materials in a powdered state in a layer at the bottom or side of the mould, but such material must be first treated in the same manner as the sand.

Columns or blocks of granite or marble, or the like substances, for statuary or other purposes, may be made by grinding the material and using it instead of the sand, provided it be treated after the same manner in respect to coating it with the lime and clay.

It may be made so as to take the highest polish by extra felting in thin layers in the mould. Although sand has been spoken of as the chief ingredient employed with lime and clay, various substances may be substituted, such as slag, marble, and stonemason's chippings, quartz tailings, &c., and in place of lime and clay, as preferred by us, natural hydraulic lime may be substituted, or cement, such as Portland, but we use the binding materials described on account of their cheapness and unlimited supply, and for other reasons detailed in our claim hereinafter mentioned.

The materials having been properly mixed in the pug mill, the resulting pug is gradually passed into moulds of the required shape, by preference metal, and as introduced compacted by felting with a rammer or hammer, by preference within rigid surfaces, as effected by our patented apparatus under Letters of Registration, dated 12th June, 1876.

Having thus described the ingredients of which our artificial stone is composed, and the mode of preparing and mixing the same, as also the way of compacting them into stone, we now proceed to claim our invention (substantially as described and set forth herein) whereby we secure the following advantages, viz.:—

- 1st. We are enabled to dispense with the more costly binding materials now employed, such as Portland cement, natural hydraulic lime, &c., and so to effect a great economy.
- 2nd. We can determine with precision the amount of hydraulicity and other qualities which will be given to the stone we wish to make, by regulating the proportions between the lime and the clay, whereby we are enabled to accelerate or delay the initiative combination of the lime with the silicate contained in the clay, and to command stone of even quality, and of any standard, and which will improve with age.

In

Invention for the economic production of Artificial Stone.

In addition to these advantages we avoid the uncertainty which now attends the manufacture of similar material, to say nothing of the large saving effected by avoiding the more expensive hydraulic lime, and the costly analysis consequent upon its use, which latter necessity is imposed by the irregularity of the character of natural hydraulic lime, and the uncertainty of its supply.

(For E. D. NICOLLE, and self),
THOS. S. MORT.

This is the specification referred to in the annexed Letters of Registration, granted to Eugene Dominique Nicolle and Thomas Sutcliffe Mort, this fourth day of August, A.D. 1876.

HERCULES ROBINSON.

REPORT.

SIR,

The application of Messrs. Nicolle and Mort for Letters of Registration for an "Invention for the economic production of Artificial Stone" having been referred to us, we have examined the specification accompanying the same, and have now the honor to report that we see no objection to the issue of Letters of Registration as prayed for.

Sydney, 5 July, 1876.

We have, &c.,
J. SMITH.
JAMES BARNET.

THE PRINCIPAL UNDER SECRETARY.

No. 536.

[Assignment of No. 242A. See page 73 of Return of 21 June, 1872.]

[107]



A.D. 1876, 23rd August. No. 537.

IMPROVEMENTS IN APPARATUS FOR THE CONVERSION OF HEAT INTO MOTIVE POWER.

LETTERS OF REGISTRATION to Jehosopht Davy Postle, for Improvements in an Apparatus for the conversion of Heat into Motive Power through the medium of water and gases, such apparatus at the same time being suitable for the condensation and rarefaction of gases and vapours.

[Registered on the 24th day of August, 1876, in pursuance of the Act 16 Vic. No. 24.]

BY HIS EXCELLENCY SIR HERCULES GEORGE ROBERT ROBINSON, Knight Grand Cross of the Most Distinguished Order of Saint Michael and Saint George, Governor and Commander-in-Chief of the Colony of New South Wales and its Dependencies, and Vice-Admiral of the same.

TO ALL TO WHOM THESE PRESENTS SHALL COME, greeting :

WHEREAS JEHO SOPHAT DAVY POSTLE, of Newtown, Sydney, in the Colony of New South Wales, engineer, hath by his Petition humbly represented to me that he is the author or designer of a certain invention or improvement in manufactures, that is to say, of an invention for "Improvements in Apparatus for the conversion of Heat into Motive Power through the medium of water and gases, such apparatus at the same time being suitable for the condensation and rarefaction of gases and vapours," which is more particularly described in the specification, marked A, and the two drawings, marked B and C respectively, which are hereunto annexed; and that he, the said Petitioner, hath deposited with the Honorable the Treasurer of the said Colony of New South Wales the sum of Twenty Pounds sterling, for defraying the expense of granting these Letters of Registration, as required by the Act of Council sixteenth Victoria, number twenty-four; and hath humbly prayed that I would be pleased to grant Letters of Registration, whereby the exclusive enjoyment and advantage of the said invention or improvement might be secured to him for a period of fourteen years: And I, being willing to give encouragement to all inventions and improvements in the arts or manufactures which may be for the public good, and having received a report favourable to the prayer of the said Petition, from competent persons appointed by me to examine and consider the matters stated therein, and to report thereon for my information, am pleased, with the advice of the Executive Council, and in exercise of the power and authority given to me by the said Act of Council, to grant, and do by these Letters of Registration grant unto the said Jehosopht Davy Postle, his executors, administrators, and assigns, the exclusive enjoyment and advantage of the said invention or improvement for and during the term of fourteen years from the date hereof: to have, hold, and exercise unto the said Jehosopht Davy Postle, his executors, administrators, and assigns, the exclusive enjoyment and advantage thereof, for and during and unto the full end and term of fourteen years from the date of these presents next and immediately ensuing, and fully to be complete and ended: Provided always, that if the said Jehosopht Davy Postle shall not within three days after the granting of these Letters of Registration, register the same in the proper office in the Supreme Court at Sydney, in the said Colony of New South Wales, then these Letters of Registration, and all advantages whatsoever hereby granted, shall cease and become void.

In witness whereof, I have hereunto set my sign manual, and have caused the present Letters of Registration to be sealed with the seal of the said Colony of New South Wales, at Government House, Sydney, in New South Wales, this twenty-third day of August, in the year of our Lord one thousand eight hundred and seventy-six.

(L.S.)

HERCULES ROBINSON.

Improvements in Apparatus for the conversion of Heat into Motive Power.

A.

TO ALL TO WHOM THESE PRESENTS SHALL COME, I, JEHOSEPHAT DAVY POSTLE, of Sydney, in the Colony of New South Wales, send greeting :

WHEREAS I am desirous of obtaining Letters of Registration for securing unto me Her Majesty's special license, that I, my executors, administrators, and assigns, or such others as I or they should or may at any time agree with, and no others, should and lawfully might, from time to time and at all times during the term of fourteen years, to be computed from the day on which this instrument is left at the office of the Colonial Secretary at Sydney, make, use, exercise, and vend, within the Colony of New South Wales, an invention for "Improvements in Apparatus for the conversion of Heat into Motive Power through the medium of water and gases, such apparatus at the same time being suitable for the condensation and rarefaction of gases and vapours," and in order to obtain the said Letters of Registration I must by an instrument in writing under my hand and seal particularly describe and ascertain the nature of the said invention, and in what manner the same is to be performed : Now know ye, that I, Jehosophat Davy Postle, do hereby declare the nature of the said invention, and the manner performed to be particularly described and ascertained in and by the following statement and description ; reference being had to the drawings hereunto annexed, and to the letters and figures marked thereon, which indicate the parts there referred to and herein particularly explained (that is to say) :—My invention consists of an apparatus for producing motive power by the action of changes of temperature on confined air or other gases saturated with the vapour of water and also holding water mechanically in suspension in a finely divided state, such apparatus at the same time being suitable for other purposes hereafter to be described, and also suitable for obtaining motive power by the action of changes of temperature on atmospheric air or dry gases only.

In the apparatus hereinafter to be described, the confined moist air is moved alternately to opposite ends of a vessel to which a cylinder fitted with a piston is attached, connected with a crank shaft carrying a fly wheel, &c. This motion of the confined air is effected by a displacer having a reciprocating movement in the vessel referred to. The opposite ends of this vessel are kept relatively hot and cold. The air carrying the water in a finely divided state is in its passage from the cold end of the vessel to the hot end caused to pass over and between a series of thin metallic plates. On arriving at the hot end the water carried by it is converted into steam ; pressure is the result, which, acting on the piston of the cylinder before referred to, produces motion. The pressure depends upon the temperature, density of the air, and quantity of water converted into steam. At the end of the stroke of the piston any excess of pressure over the external atmosphere is destroyed by air charged with moisture being allowed to escape through a valve. Upon the displacer being moved to the hot end of the vessel already mentioned, the heated air and steam are moved to the cool end of the vessel, in their passage flowing between the thin metallic plates already mentioned. If the surface of these plates is sufficiently large, the air is cooled and the steam is condensed by coming in contact with them ; at the same time water in a finely divided state is introduced into the cool end and effects a still further cooling of the air. A diminution of pressure is the result, and the pressure of the external atmosphere exceeding the pressure in the interior of the vessel before-mentioned, the piston is moved inwards, communicating motion to the crank shaft. If at the termination of the stroke the external pressure is still greater than the internal pressure, air is admitted through a valve. At the next stroke of the displacer towards the cool end, the fresh air and that which remained at the termination of the last stroke are moved to the hot end, carrying with them the water in a finely divided state. As the air and water pass between and over the surfaces of the plates the air is heated and the water converted into steam ; the heat to effect this having been communicated to the plates by the heated air and steam on the last motion of the displacer. The thin metallic plates here act the part of a regenerator, and absorb from the steam flowing in one direction over their surfaces that heat which is necessary to liquefy it and subsequently give to succeeding currents of air carrying water flowing in an opposite direction sufficient heat to effect the conversion of the water into steam. The ends of the copper plates nearest the hot end of the vessel before referred to are hot, whilst the ends nearest the cold end of the vessel are cool ; the intermediate portions of the plates vary in temperature according to their relative positions.

The leading and prominent feature in my invention is the principle of regenerating steam from water resulting from the condensation of steam, or the method of generating steam from fresh unused water, by using in either case what is termed the latent heat of the steam last used in the engine—that is, the heat abstracted from the steam last used, in order to liquefy it or reduce it to water. The principle involved in this method of utilizing the latent heat of steam is, I claim, entirely original and novel. In the best marine engines the latent heat of the steam condensed in the condenser is communicated to the condensing water, which is discharged overboard and got rid of as quickly as possible ; considerable ingenuity and talent from the time of Watt to the present day having been exercised for this purpose. I, on the other hand, arrest this heat in the regenerator and give it back to a succeeding quantity of water, which, when it is converted into steam and has done a portion of its work, is made to give up its latent heat to another succeeding quantity of water through the regenerator, and in doing so completes its work, since a diminution of pressure is produced in the engine analogous to the vacuum in a condensing steam-engine, which diminution in pressure is utilized to produce motion. The air acts an important part in the engine, since it is a medium for carrying the water in a finely divided state to the hot end of the vessel before referred to, and at the same time, though an open communication exists between the hot and cold ends of the vessel, prevents the condensation of steam that would occur if the vessel were filled with steam only. Air at any density can be used ; an artificial atmosphere can be produced by compressing air into a receiver and connecting it with the inlet and outlet valve of the engine. A considerable advantage is derived from the use of air at a great density. Thus, if the pressure of the air employed is 100 lbs. pressure to the inch, its pressure will be doubled by the addition of 490 degrees of heat F., giving a maximum available pressure of 100 lbs. for purposes of motion. On the other hand, the same quantity of heat with air at the atmospheric pressure would only give about 15 lbs. pressure to the square inch for purposes of motion, *i.e.* for producing motion, &c. The engine can be worked as a hot air engine only, no injection water being used, the cold end of the vessel referred to being kept cool by water circulating in a jacket. The engine can also be used for blowing purposes or for compressing air or other gases and vapours without the intervention of an ordinary pump.

Having

Improvements in Apparatus for the conversion of Heat into Motive Power.

Having described the leading principles of my invention, I now proceed to explain the details and general combination of the engine, which is constructed of suitable materials.

A, the furnace. The arrows showing the draft and the direction taken by the gaseous products of combustion downwards along the spiral course of the flue.

BBBB, the vessel for receiving the air, &c., and water acted on. It consists principally of two metallic cylinders, one placed on the other.

CCCC, the displacer. It moves freely in the vessel LL, which is turned up to fit it accurately. It is attached to the rod D working inside the piston rod E.

DD, a rod attached to the displacer CCCC working through the piston rod E and the stuffing-box F. It has tappets, GG¹, attached to it, and works in the guide H.

E, the piston rod attached to the piston I. Upon the down stroke of the piston rod E, the rod D with the displacer attached is carried down with it owing to the friction of the packing in the stuffing-box F. When the tappet G touches the guide H, the motion of the displacer and rod D is stopped, though the piston rod E with its piston I moves on to the end of the stroke.

F, a stuffing-box attached to the piston rod E; the rod D works in it. The packing may consist of one or more steel rings together with the usual stuffing-box and gland; the steel rings exert a continuous pressure on the rod D, giving the necessary friction to cause the rod D to move with the rod E till the former is stopped by the tappets GG¹.

GG¹ are tappets for arresting the motion of the rod D. That side of the tappet nearest the guide H is fitted with a disc of indiarubber to deaden the blow.

H is the guide through which works the rod D. The tappets attached to the rod D strike the guide H at each stroke.

I is the piston working in the cylinder JJ.

JJ is a cylinder; the end in the vessel BBBB is open.

KK is the cover of the cylinder JJ; it is provided with a stuffing-box and gland for the rod E to work in it.

LL is a cylinder bored out to receive the displacer CCCC, which works in it.

M is the port or passage leading from the interior of the vessel BBBB to the valve N.

N, a slide valve permitting the ingress and egress of air or vapour; it opens at the termination of each stroke.

O, a pipe connecting the valve chest P with the receiver Q.

P, the valve chest.

Q, a receiver for holding the injection water and also for holding air at any density. The injection water occupies about one-third of the space of the receiver, and is kept cool by the coil R.

R, a coil through which cold water is passed for cooling purposes.

S, a pump with a self-acting arrangement for regulating the pressure of the air, &c., in the receiver

Q. This self-acting arrangement is a novelty, and can be used for any similar purpose where it may be required. The pump S is fitted with an ordinary plunger *a* working in the cylinder *b*¹. For regulating the compression of the air there is a cylinder fitted with a plunger *c*. This plunger, *c*, is loaded by the pressure of the lever attached at one end to a spring, the head of the plunger forming the fulcrum, the lever being one of the first order. The plunger is hollow, the air being allowed free access to the interior through the holes *dd*. Assuming the pressure in the receiver Q to be not more than that of the atmosphere, the plunger *c* will occupy the position shown in the drawing. If it is desired to pump and maintain a pressure of air in Q of 20 lbs. on the square inch, the plunger *c* is loaded to that pressure, and upon the plunger *a* being set in motion, air through the opening *e* will be drawn in and discharged at the end of the stroke of the plunger *a*. This will go on till the pressure per square inch in Q equals the pressure per square inch on the plunger *c*. Upon more air being pumped in, the plunger *c* will move upwards, shutting up the inlet *e* and opening the aperture *f*. As this aperture *f* is below the plunger *a*, air will be drawn in at the up-stroke, but it will also be discharged at the down-stroke through the same opening without being compressed, consequently no power is wasted when air is not being pumped into Q except that necessary to overcome the friction of the plunger. If, through any leakage occurring, the pressure in Q should become less, the plunger will descend and open *e* and close *f*, compression will then take place and air will be forced into Q. The plunger *c* is prevented from moving higher than a certain point by the pin *g*.

TT is the water supply pipe. When the pressure in the cylinder BBBB is less than the pressure in the receiver Q, the water is forced up and out through small openings in the pipe in the form of fine spray, saturating the air with moisture and causing small particles of water to be suspended in it. The pipe TT is provided with a stop-cock, U, for regulating the supply of water, and a check valve, V, for preventing the backward flow of water when the pressure in BBBB exceeds the pressure in Q.

UU, regulating cocks.

V, a check valve opening upwards.

V¹, a check valve opening downwards.

W is a pipe provided with a stop-valve; it affords when the valve is open a free communication between the vessel BBBB and the vessel Q. When the engine is working this valve is shut. To stop the engine the valve should be opened; when it is open the pressure in the receiver Q and the vessel BBBB is the same, consequently there can be no motion.

X is a pipe forming a communication between the receiver Q and the vessel BBBB; it is fitted with a valve, Z, which is acted on by the lever *hh* of the governor Y. At a high velocity the valve Z is opened, when the same results are obtained that occur on opening the stop-valve on the pipe W. When the velocity diminishes the valve closes. The valve can be set to open at any velocity.

Y is the governor. Motion is given to it by the bevelled gearing off the crank shaft *l*.

Z, the valve acted on by the governor.

Z¹Z¹, the regenerator, formed of thin concentric cylinders of sheet metal.

H¹H¹ is the connecting rod.

hh is the governor lever, connected with the valve Z, and moves it by means of a lever connected with the valve spindle.

Improvements in Apparatus for the conversion of Heat into Motive Power.

i is a pulley for transmitting the power of the engine by belting, &c.

j is the fly-wheel.¹

kk are plummer blocks for carrying the crank shaft *l*.

l is the crank shaft.

m is the crank disc, which has holes bored in it to receive the crank pin in two different positions.

n is the eccentric for working the pump.

*n*¹ is the eccentric for working the slide valve.

o is the standard for supporting the lever of the governor.

p is a pipe forming a constant open communication between the underside of the piston I and the receiver Q.

*p*¹ shows the port in the cylinder JJ connected with the pipe *p*.

q, the opening through which the oil is injected for lubricating the piston I; the oil forms a layer an inch deep, and the bottom of the piston, which is cup-formed, dips into it at each downward stroke and carries upwards the oil lubricating the sides of the cylinder JJ, which are always kept cool by the cold water injected.

rr, the space under the displacer CCCC when it is at the end of the upward stroke.

ss, openings in the cylinder LL to admit the passage of air to and fro.

ttt, a pipe connecting the vessel BBBB with the receiver Q. This pipe is fitted with a stop-cock and a retention valve opening upwards. This pipe is to conduct the excess of water in the bottom of the chamber BBBB to the receiver Q; the water is forced down the pipe when the pressure in BBBB is greater than in Q, but when the pressure in Q is greater than in BBBB the water is prevented from passing upwards by the retention valve. The cock should be adjusted so that a small quantity of water is always retained in the bottom of the vessel BBBB.

The action of the machine is as follows: The receiver Q being about one-third filled with water, the fire in A being lighted, and the stop-valve on the pipe W being shut, the piston I, if at about half stroke, will commence to move downwards, being caused to do so by the pressure resulting from the air being heated in the space between the top of the cylinder L and the displacer CCCC. At the end of the stroke the valve N opens, and any excess of pressure in the vessel BBBB over that in the receiver Q is destroyed by the air, &c., escaping through the pipe O into the vessel Q. At the commencement of the up-stroke the valve N shuts, and the piston, together with the displacer CCCC, moves upwards, the hot air in the space above the displacer CCCC is forced through the opening *b*, shown in the drawing. The piston I, however, carrying with it the piston rod E, continues to move upwards to the completion of the stroke, when the valve N opens, and if the air, &c., in the vessel BBBB is of less pressure than in Q, air from Q rushes through the valve opening and mingles with the air already charged with moisture in the manner described under the displacer CCCC. Upon the commencement of the down-stroke the air and water pass through the space S, over the regenerator plates, when the air is heated and the water is converted into steam by contact with them. Both are further heated by passing through the annular space before-mentioned; pressure is the result, and the piston moves downwards. When the tappet G¹ comes in contact with the guide H its motion is arrested. The bottom of the displacer CCCC will now be almost close to the cover of the cylinder LL. The piston, as before described, moves outwards to the end of the stroke, being impelled to do so by the pressure generated by the steam. At the termination of the stroke any excess of pressure is destroyed in the manner already described. This reciprocating motion is continued and the same water is used over and over again; it is cooled however by being brought in contact with the surface of the coil R. Should any loss of water occur the supply may be restored to its original quantity by means of a pump worked off the crank shaft. For the purpose of starting a large engine a lever, capable of being connected or disconnected at will with the rod D, may be fitted to it. By the aid of this lever, when the engine is worked with the tappet motion, the displacer CCCC may at certain parts of the stroke be moved up and down without the piston rod E being moved. As the displacer is thus moved, it will, at the pleasure of the mover, cause an increase or decrease of the pressure on the piston I. The engine is also worked without the tappet motion by a slight adjustment of the crank pin, in the following manner. In this case the stroke of the displacer CCCC will be the same as the piston. If the stroke of the former is (say) 5 inches and the stroke of the piston 15 inches, the crank pin must be fitted into a suitable hole in the crank disc 2½ inches from the centre of the disc. As this hole is bored out ready for this adjustment when the engine is manufactured in its entirety, the operation of taking the pin out of one hole and putting it in another is very simple. The tappet G¹ can also be adjusted so as not to touch the guide H. When the engine is worked in this manner the action is extremely smooth, and a very high rate of speed can be obtained without much noise. At the same time there is a considerable loss of power compared with the results obtained when the tappet action is used, since the greatest and least pressures in the vessel BBBB occur respectively at the end of each stroke. This circumstance however renders the engine, when adjusted this way, especially suitable for compressing or exhausting gases or vapours, or for purposes of ventilation, or for any purpose where the compression and rarefaction of a gas or vapour would be useful. The mode of applying the engine for this purpose I will explain when I show how the engine can be worked without the receiver Q. The engine when required in a cheap form and of small power only can be used without the receiver Q. In this case the machine works at the ordinary atmospheric pressure, that is at varying pressures alternately above and below the atmospheric pressure. To use the engine in this way the following adjustments should be made: The bottom parts of the pipes X, O, *p*, and W should be disconnected with the receiver Q, and be open to the atmosphere, the stop-cock and valves being retained. The bottoms of the pipes TT and *ttt* should also be disconnected with Q, and connected with two ordinary water tanks, the tank connected with the pipe TT being kept supplied with water; the stop-cocks and check-valves in these pipes, TT and *ttt*, should also be retained. The engine when adjusted this way can be worked in the manner already described, the ordinary external atmosphere performing the same office as the artificial atmosphere formed in the receiver Q, the water being admitted and discharged exactly in the manner above described. When the engine is adjusted to work without the receiver Q and the tappet action, it can be employed for compressing or rarefying gases or vapours. The operation is very simple, the vessel holding the air, &c.,

to

Improvements in Apparatus for the conversion of Heat into Motive Power.

to be rarefied and that in which the air is to be compressed should each be connected with the pipe O; the vessel in which the air &c., is to be rarefied being provided with a valve opening outwards, whilst that vessel in which compression is to take place is provided with a valve opening inwards. On starting the engine the work of a pump will be performed by the mere expansion and rarefaction of the air, gas, or vapour acted on. When, however, a vapour or gas other than atmospheric air is to be compressed or rarefied the engine should be worked as a hot air engine only. This is easily done by simply closing the water pipes TT and ttt, and jacketing the lower end of the vessel BBBB, water being caused to circulate between the jacket and the vessel BBBB, being admitted at the lower end of the jacket and leaving at the top of the jacket. The engine thus jacketed at the cold end could also be used for ordinary motive power purposes with or without the tappet action, and with or without the receiver Q, and either with air or other gases at a high pressure in conjunction with the receiver Q. Its position also might be inverted and the fire made below the vessel BBBB, the mechanical arrangements of the governor, the furnace, &c., being varied to suit the alteration. In the furnace A, it will be seen that the greatest heat is applied to the upper end of the vessel BBBB, and that this heat diminishes gradually as the gaseous products of combustion travel in the direction of the arrows, it being absorbed by the vaporous air in BBBB. This distribution of the heat of combustion is very important, since the upward current of air and moisture in the annular space between the vessel BBBB and the cylinder LL, on one side of the vessel BBBB, meets the descending products of combustion on the other side of the vessel BBBB. The consequence is that the air or steam is gradually heated till it receives its maximum heat just as it enters through the opening b to the space above the displacer CCCC. In certain situations, in place of the furnace the upper end of the vessel BBBB can be jacketed and a fluid at a high temperature passed through it, being admitted at the upper part of the jacket and permitted to pass out at the lower part of the jacket, so that the greatest heat of the fluid will be communicated to the upper end of BBBB, where it is most wanted.

The heating fluid medium in returning should enter the furnace at that point where the gaseous products of combustion are escaping into the atmosphere, the pipe or coil containing the heating medium travelling or placed in the flue to meet them. The coil should be caused to leave the furnace at the hottest part and conducted to the jacket of the engine. If this arrangement is managed properly, the gases of combustion will leave the furnace at about the same temperature that the heating medium enters it. The circulation of the medium can be effected by the revolution of a screw revolving in a vertical position connected with that part of the pipe where the heating medium is about to enter the furnace. The vertical spindle of the screw can revolve in a long vertical stuffing-box, the bottom part of which is fitted to receive the packing and which can be kept cool by a water jacket. The stuffing-box containing the spindle, though being in a direct line with the passage in which the medium circulates, does not form part of it, and will have but little tendency to become heated, and can be easily kept cool in the manner described. Superheated steam or heated gases could be used to circulate through the jacket of the vessel BBBB, in the same manner under circumstances where their employment would be convenient.

CLAIMS.

I claim,—

1. The generation of steam by the direct action of the latent heat of the steam last used.
2. The system of using air or other gases at a higher pressure than the atmosphere for the purposes herein specified.
3. The application of a regenerator for the purpose of storing up and absorbing the latent heat of the steam last used in the engine, as it with the air passes over its surface in one direction, and for giving up again the heat so stored to the water to be converted into steam carried by the air travelling in the opposite direction.
4. The method of applying the heat as described to the vessel BBBB, holding the air and water acted on.
5. The system of working the engine in the four following modes :—
 1. In conjunction with the receiver Q at any atmospheric pressure with the tappet motion.
 2. In conjunction with the receiver Q at any atmospheric pressure without the tappet motion.
 3. The method of working the engine without the receiver Q, with or without the tappet motion.
 4. The method of working the engine as a hot air engine only, with or without the tappet motion, and at any pressure.
6. The application of an injection of water into the cylinder BBBB, for the purpose of cooling the air and charging it with water mechanically suspended in it, and for cooling the interior metallic parts of the cold end of the vessel BBBB by the direct contact with water, together with the plan of using the same water over and over again, and causing the injection into the vessel BBBB and the discharge from it to occur through variations of pressure in it.
7. The self-regulating pump S, and its application for any purpose similar to that described in this specification.
8. The relative motions and positions of the displacer CCCC and the piston I, together with the tappet action, as herein described.
9. The mode of regulating and stopping the engine, viz. :—
 1. Stopping the engine by opening a valve, thereby forming a direct open communication between the vessel BBBB and the receiver Q when the receiver is used, and by making a direct open communication with the atmosphere when the receiver Q is not used.
 2. Regulating the engine by causing the centrifugal force generated in the governor balls to open a direct communication with the receiver Q when it is used, and with the atmosphere when it is not used.
10. The system of having the upper end of the vessel BBBB hot and the lower end cool, whereby the difference of temperature between the ends is more easily maintained.

Improvements in Apparatus for the conversion of Heat into Motive Power.

11. The method of constructing the regenerator Z of concentric cylinders of thin metal in sufficient number to effect the desired purpose.
12. The method of rarefying and condensing gases and vapours by the direct intermittent expansions and contractions of portions of the gases and vapours themselves, such intermittent expansions and contractions resulting from the alternate action of heat and cold or changes of temperature.
13. The application of air, or of any other gas or gases of any density, as a medium for carrying the water in a finely divided state to the heating surfaces of the regenerator Z'Z' and the vessel BBBB, as set forth in this specification.

In witness whereof, I have hereunto set my hand and seal, this thirteenth day of July, Anno Domini 1876.

J. DAVY POSTLE. (L.S.)

This is the specification, marked A, referred to in the annexed Letters of Registration granted to Jehosophat Davy Postle, this twenty-third day of August, A.D. 1876.

HERCULES ROBINSON.

REPORTS.

SIR,

We do ourselves the honor to return to you the documents transmitted for our report under your blank cover communication of the 18th instant, No. 76/5047. After hearing Mr. J. D. Postle's explanation of the claims as set forth in his application, we are still of opinion that the claims Nos. 1, 12, 13, cannot be recommended in their present form; we therefore suggest that the documents in question should be returned to the applicant for the modification of the claims specified.

Sydney, 26 July, 1876.
We have, &c.,
GOTHER K. MANN.
CHAS. WATT.

THE PRINCIPAL UNDER SECRETARY.

SIR,

We do ourselves the honor to return to you the documents transmitted for our report under your blank cover communication of the 27th ultimo, No. 76/5395. We see no objection to the issue of Letters of Registration securing to Mr. Jehosophat Davy Postle his invention for "Improvements in Apparatus for the conversion of Heat into Motive Power through the medium of water and gases, such apparatus at the same time being suitable for the condensation and rarefaction of gases and vapours," in accordance with Mr. Postle's drawings, petition, specification, and revised claims.

Sydney, 1 August, 1876.
We have, &c.,
GOTHER K. MANN.
CHAS. WATT.

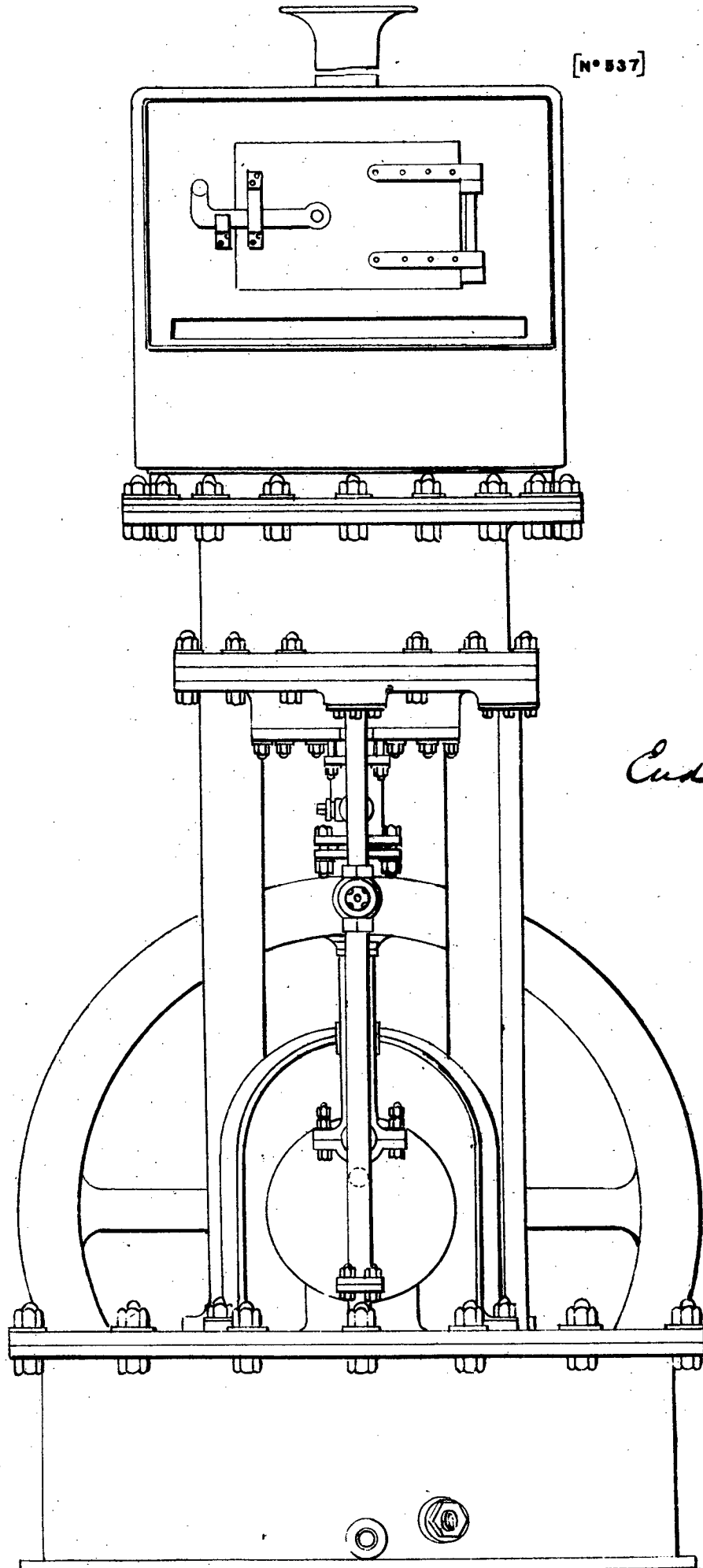
THE PRINCIPAL UNDER SECRETARY.

[Drawings—one sheet.]

C

[N° 537]

[N° 537]



*End elevation
J. W. Patten*

*This is the drawing marked C referred to
in the annexed letters of Registration granted
to Phosphor Bary Stone the twenty-third
day of August 1867*

Hercules Robinson

[113]



A.D. 1876, 23rd August. No. 538.

IMPROVEMENTS IN PNEUMATIC SIGNALS FOR RAILWAYS.

LETTERS OF REGISTRATION to Austin Chambers, for Improvements in
Pneumatic Signals for Railways.

[Registered on the 24th day of August, 1876, in pursuance of the Act 16 Vic. No. 24.]

BY HIS EXCELLENCY SIR HERCULES GEORGE ROBERT ROBINSON, Knight Grand Cross of the Most Distinguished Order of St. Michael and St. George, Governor and Commander-in-Chief of the Colony of New South Wales and its Dependencies, and Vice-Admiral of the same.

TO ALL TO WHOM THESE PRESENTS SHALL COME, greeting :

WHEREAS AUSTIN CHAMBERS, of Marylebone Road, in the county of Middlesex, England, signal engineer, hath by his Petition humbly represented to me that he is the author or designer of a certain invention or improvement in manufactures, that is to say, of an invention for "Improvements in Pneumatic Signals for Railways," which is more particularly described in the specification and sheet of drawings which are hereunto annexed, and that he, the said Petitioner, hath deposited with the Honorable the Treasurer of the said Colony of New South Wales the sum of Twenty Pounds sterling, for defraying the expense of granting these Letters of Registration, as required by the Act of Council sixteenth Victoria, number twenty-four; and hath humbly prayed that I would be pleased to grant Letters of Registration, whereby the exclusive enjoyment and advantage of the said invention or improvement might be secured to him for a period of fourteen years: And I, being willing to give encouragement to all inventions and improvements in the arts or manufactures which may be for the public good, and having received a report favourable to the prayer of the said Petition, from competent persons appointed by me to examine and consider the matters stated therein, and to report thereon for my information, am pleased, with the advice of the Executive Council, and in exercise of the power and authority given to me by the said Act of Council, to grant, and do by these Letters of Registration grant unto the said Austin Chambers, his executors, administrators, and assigns, the exclusive enjoyment and advantage of the said invention or improvement for and during the term of fourteen years from the date hereof; to have, hold, and exercise unto the said Austin Chambers, his executors, administrators, and assigns, the exclusive enjoyment and advantage thereof, for and during and unto the full end and term of fourteen years from the date of these presents next and immediately ensuing, and fully to be complete and ended: Provided always, that if the said Austin Chambers shall not, within three days after the granting of these Letters of Registration, register the same in the proper office in the Supreme Court at Sydney, in the said Colony of New South Wales, then these Letters of Registration, and all advantages whatsoever hereby granted, shall cease and become void.

In witness whereof, I have hereunto set my sign manual, and have caused the present Letters of Registration to be sealed with the seal of the said Colony of New South Wales, at Government House, Sydney, in New South Wales, this twenty-third day of August, in the year of our Lord one thousand eight hundred and seventy-six.

(L.S.)

HERCULES ROBINSON.

Improvements in Pneumatic Signals for Railways.

SPECIFICATION.

TO ALL WHOM IT MAY CONCERN: Be it known that I, AUSTIN CHAMBERS, of Marylebone Road, in the county of Middlesex, England, signal engineer, have invented new and useful "Improvements in Pneumatic Signals for Railways," and I do hereby declare that the following is a full and exact description thereof, reference being had to the accompanying drawings, and to the letters of reference marked thereon.

THIS invention has reference to signalling apparatus in which the signalling objects or bodies are moved pneumatically, and has for its object to combine simplicity of construction with ease and rapidity of working, and to preclude the assumption of the "safety" or "pass on" position by the signalling object or body, in the event of breakage or failure of intermediate parts of the apparatus.

To expedite the operation of moving over the lever or handle to the necessary extent for changing the position of the signalling object or body, I employ a compressor so constructed and connected with the actuating lever or handle as that, by the compression of the elastic fluid, effected by moving over the lever or handle, the resistance shall be overcome of a portion of the compressor, the capacity of the compressor being thereby temporarily augmented beyond that which obtains when the operation of compression has been completed,—the latter capacity being attained by the automatic return to the original position or nearly so, of the part or parts of the compressor whose resistance to outward or extensible movement shall have been temporarily overcome by the movement of the lever. To prevent (when the compressor and the collapsible vessel respectively are collapsed) too sharp a fold of and consequent injury to the flexible material of which the compressor and collapsible vessel are constructed, I interpose distance pieces between the rings, so that the rings cannot approach each other beyond a predetermined limit. It will be evident that flanges formed with the rings may be substituted for such distance pieces.

Instead of actuating the signalling objects or bodies by compression of elastic fluid, it may be done by rarefaction, for which purpose apparatus as above described may be arranged to operate inversely.

The compressors, rarefiers, and collapsible vessels, I by preference construct mainly of flexible material, such as sheet india-rubber, and in order to guard against failure through leakage, whilst at the same time securing a maximum amount of flexibility, I use thin sheets of such flexible material, which I fasten together in two or more layers by the interposition of suitable adhesive substance, the layers of flexible material being so arranged as that the joint or junction of the inner thickness or layers shall be amply covered, strengthened, and protected by one or more superposed layers of the same material.

One sheet of flexible material may be so wound around a block or cylindrical object as to cause one part of such sheet to overlap another, and so to form the several layers without breakage of the continuity of the material.

I so arrange and dispose the weight of the signalling object or objects that they shall have to be drawn down when required to assume the "safety" or "pass on" position, and that when the normal pressure of the external atmosphere prevails in the pipes, tubes, and vessels of the apparatus, the signalling objects shall automatically resume the "danger" position.

I provide the following arrangement, where necessary, for indicating, at any required place, when the signalling object has resumed or occupies the "danger" position.

A U-shaped liquid gauge, or other pressure gauge, placed in the situation at which the indications are required, is connected by a pipe, tube, or passage with a valve chamber fixed to the collapsible or expanding and contracting vessel constituting the means of actuating, by changes of fluid pressure, the signalling object or body. A passage is formed between the valve chamber and the interior of the collapsible vessel, the orifice of which passage is provided with a valve pressed against its seat by a spring or weight.

When the collapsible vessel is expanded, the signalling object being in the "safety" position, the valve will be closed; but when the collapsible vessel is collapsed, the valve will be moved from its seat, thus establishing communication between the interior of the collapsible vessel and the gauge, and, by the change of pressure, effecting the required indication. In juxtaposition to the above-named gauge, I arrange a second gauge, which I place in communication with the interior of the compressor or air pump, whereby the changes of pressure are effected so that the showing of different pressures by the two gauges shall indicate that the collapsible vessel has not returned to the "danger" position.

The two gauges must show the same pressure when the collapsible vessel has opened the valve by returning to the "danger" position, and has thus established free communication between the two gauges.

In cases where it is desired that the concurrence of two or more persons stationed at different places shall be an essential preliminary to the moving of the signalling object or body into the "safety" or "pass on" position, I provide in some convenient elastic fluid containing portion of the apparatus, an escape opening furnished with a balanced valve, lid, or closure, arranged to be fastened in its closed position by means of a locking or holding arrangement operated by electricity from the place whence it is required to govern the moving of the signalling object into the "safety" or "pass on" position.

The locking arrangement may be in the form of a catch, or the armature of an electro-magnet may be connected to the valve, lid, or closure, and so be made to serve for holding it in the closed position when required.

By this arrangement, assuming the lever whereby the compressing or rarefying apparatus (as the case may be) is worked, or by which communication is, when required, established between the collapsible vessel and a reservoir of compressed elastic fluid (or a vessel in which a partial vacuum is maintained) to be moved into the position for "taking off" a signal, or, in other words, into the proper position for moving the signalling object or body into the "safety" or "pass on" position, such movement of the said lever will exercise no influence upon the signalling object or body unless the valve or closure has been previously locked or fastened in its closed position, because, by reason of the arrangement of the apparatus, so long as the valve or closure remains unlocked the pressure within the elastic fluid containing apparatus cannot be made to differ sensibly from the normal pressure of the external atmosphere, and whilst that pressure prevails within the apparatus the signalling object or body must of necessity be in the "danger" position.

It

Improvements in Pneumatic Signals for Railways.

It will be evident that this part of my invention may be so applied as to make the concurrence of any desired number of persons, stationed at different places, an essential preliminary to the moving of a signal into the "safety" position.

The valve lid or closure, and locking or holding arrangement, may be enclosed in a suitable casing, arranged to admit of the circulation of elastic fluid, but so as to preclude tampering with the apparatus.

Where I in this specification use the words "signalling object or body," I desire it to be understood that I mean those words to include also any single set of signalling objects or bodies, as, for example, a semaphore arm with its lenses operating in conjunction with a lamp, or other well-known appliances for signalling on railways.

In order that others skilled in the art may be enabled to make and use my invention, I proceed to describe particularly the manner in which I prefer to carry it into practical effect. In the accompanying sheet of drawings—

Fig. 1 is a longitudinal vertical sectional elevation of apparatus embodying my improvements; and fig. 2 is a horizontal section, showing the mode of constructing the flexible portions of the collapsible vessels.

a is the lever for actuating the signals. Its arm *a*¹ carries a rod, *b*, which enters a tube, *c*. This tube is open at its lower end, which is fastened to the lower end of the compressor, into which the tube projects, the upper end of the tube being closed as shown, with the exception of a small hole to admit air for the purpose hereinafter mentioned. The upper end of the rod *b* serves as a valve to close the small hole. The central portion of the compressor consists, in the present instance, of a fixed flanged metal ring, *d*, having an opening through it and communicating by a pipe, *e*, with the collapsible vessel *f*, by whose motions the semaphore arm is actuated. The lateral portions of the upper part *d*¹ and lower part *d*² of the compressor are formed of flexible material, such as sheet india-rubber, fastened by the ordinary cement, but wrapped round in the novel manner shown in figure 2, rigid rings, *d*³, being introduced at suitable intervals, as well understood, to ensure the collapsing of the compressor as required. The ends or covers *d*⁴ *d*⁵ are made heavy; the upper cover *d*⁴ carries a couple of rods, *d*⁵¹, working in guide tubes, *d*⁶, carried by a plate or cross-piece, *d*⁷, resting upon an internal ledge of the central portion or ring *d*. The plate or cross-piece *d*⁷ also carries a central tube, *d*⁸, for guiding the tube *c*. The collapsible vessel *f* is made of flexible material in the same way as, and with rings similar to the compressor, and is suspended from a bracket attached to the signal post, a part of which bracket forms the upper end of the collapsible vessel, whose lower end may consist of a metal plate, as shown. To the lower end of the collapsible vessel is secured a frame, *g*, connected by a forked rod, *h*, to the longer arm *i* of the semaphore, whose fulcrum is at *i*¹. The shorter arm of the semaphore carries a danger lens, *i*², and a safety lens, *i*³. The drawing shows the positions of the parts when the signal is at "danger." If the lever *a* be now moved over in the direction indicated by the arrow, the lower portion *d*² of the compressor will be collapsed; the air within it being compressed will cause the upper portion *d*¹ to suddenly expand, but the weight of the end or cover *d*⁴ and its attachments will cause the upper portion *d*¹ to move back towards its original position. The air within the compressor and tube *e* being compressed by the downward movement of the end or cover *d*⁴, will expand the collapsible vessel *f*, thereby drawing down the longer arm *i* of the semaphore into the position indicating that a train may proceed. On then moving the lever *a* back into the position shown in the drawing, the rod *b* will be caused to move partly out of the tube *c*, the movement of the lever being more rapid than that of the lower end of the compressor, which, however, will gradually follow (expedited by air entering through the small hole in the end of the tube *c*) until it has resumed the position shown, and by restoring the pressure within the compressor and pipe *e* to the normal or external atmospheric pressure, will have caused the partial collapse of the vessel *f* into the position shown in the drawing, thus restoring the signal to the "danger" position. It will be evident that instead of the small hole in the end of the tube *c*, a suitable valve may be arranged either on the top or bottom of the compressor, or upon the air pipe leading to the collapsible vessel *f*, which valve shall act automatically by the partial vacuum formed in the compressor, or may be so arranged as to open and close as required by the action of the compressor itself.

When the apparatus is to actuate the signal by rarefaction, I connect the arm *a*¹ of the lever *a* to the upper end *d*⁴, and for the tube *c*, in the lower part *d*², I substitute a simple guide rod. I invert the collapsible vessel *f* with its valve chamber and valve, and connect what then becomes the upper end of the vessel *f* to the arm *i*. By this arrangement, assuming the lever *a* to be moved over so as to expand or move up the upper portion of the rarefier, the lower portion will, by the pressure of the external air, be temporarily collapsed, but will automatically resume its normal position, or a position approximating thereto, almost immediately, thereby completing the rarefaction of the elastic fluid, and by causing the collapse or partial collapse of the vessel *f*, drawing down the signal arm *i*.

k is a liquid pressure gauge placed in the situation at which the indications are required, and connected by a pipe *l* with a valve chamber *m*, containing a valve *n*, kept by a spring *o* over and against a seat around an orifice leading into the collapsible vessel *f*; *p* is a rod fixed to the lower end of the vessel *f*, which rod, when the vessel is in its collapsed or partially collapsed position, raises the valve *n* from its seat as shown, thus establishing communication between the interior of the collapsible vessel and the gauge *k*; *q* is a second gauge, communicating with the interior of the compressor through a pipe, *r*. Should the collapsible vessel not at the proper time return to the "danger" position, the fact will be indicated by the difference between the two gauges.

*e*¹ is an escape opening furnished with a valve *s*, carried by a lever *t*, having its fulcrum at *t*¹, and carrying an adjustable weight at *t*², which all but counterbalances the valve *s*; *u* is the armature of an electro-magnet, *u*¹, arranged in the same circuit (*u*²) as the ordinary telegraphic indicator *w*, so that the same operation which changes the position of the indicator pointer, will also positively control the valve *s*, and consequently the moving of the signal into the "safety" or "pass on" position. The telegraph indicator will show the man in charge of the lever *a* when he may move over that lever to draw the signal down into that position.

The drawing assumes the electric current for the time being passing through the electro-magnet, to be such as to attract the armature, thus holding the valve in its closed position, so that should the lever

Improvements in Pneumatic Signals for Railways.

lever *a* be moved over, the air in the compressor pipe *e* and vessel *f* will be compressed, so as to bring down the signal. Assuming that the apparatus at the controlling station be operated so as to reverse the current, the armature *u* will be released, so that the slightest increase of pressure in the pipe *e* will raise the valve *s* and permit the escape of fluid from the pipe *e*, thus rendering it impossible to draw down the signal by moving over the lever *a*. A stop is provided to prevent the lever being tilted too far.

It will be evident that the arrangements shown in the drawing may be modified to suit circumstances.

To meet cases where the signal is drawn down by rarefying the air in the pipe *e*, I invert the opening *e'*. I form around the aperture an internal seat for the valve *s*, which valve I arrange above the lever *t*, to which lever I connect the valve by a stem or equivalent means.

It will be evident that in this arrangement, when the armature is free, if the pressure in the pipe *e* be reduced in the slightest degree below that of the external atmosphere, the valve *s* will at once rise from its seat in the pipe, thus admitting air and maintaining in the pipe *e* and vessel *f* the normal pressure at which the signal is invariably in the "danger" position.

Having described the nature of my said invention, and explained the manner of carrying it into practical effect, I hereby declare that I claim—

1. In a pneumatic signalling apparatus for railways: The combination with a hand lever or handle, a pipe, tube, or passage charged with elastic fluid, and a collapsible vessel connected to the signalling object, of a compressor so constructed that as one portion of the compressor is collapsed by moving the lever or handle to move the signal another portion shall temporarily expand to receive the displaced fluid, and afterwards complete the compression of fluid and move the signal by automatically resuming its original position, or a position approximating thereto.

2. In a pneumatic signalling apparatus for railways: The combination with a hand lever or handle, a pipe, tube, or passage charged with elastic fluid, and a collapsible vessel connected to the signalling object, of a rarefier so constructed and connected to the lever that as one portion of the rarefier is expanded or drawn out by the movement of the lever or handle to move the signal, another portion shall temporarily collapse to partially occupy the space vacated by the displaced fluid, and afterwards complete the rarefaction of fluid and move the signal as required by automatically resuming its original position, or a position approximating thereto.

3. The mode of constructing the flexible portions of the compressors, rarefiers, and collapsible vessels of pneumatic signalling apparatus for railways, by fastening together by interposed adhesive substance two or more layers of thin flexible material in such manner that the joint or junction of the inner thickness or layer of flexible material shall be covered, strengthened, and protected by a superposed layer or layers of the same material, substantially as described with reference to figure 2 for the purpose specified.

4. In pneumatic signalling apparatus for railways: The combination with a collapsible vessel or chamber connected to the signalling object, a pipe, tube, or passage charged with elastic fluid and apparatus for changing the pressure or density of said fluid, of two gauges or indicators in juxtaposition, one connected by a pipe, tube, or passage, *l*, with a chamber, *m*, communicating with the interior of the collapsible vessel or chamber by a hole or passage governed by a valve, *n*, operated by a rod or projection, *p*, and the other gauge or indicator communicating through a pipe, tube, or passage, *r*, with the compressor or rarefier, so as by the relative indications of the two gauges to show the position of the collapsible vessel that operates the signal.

5. In pneumatic signalling apparatus for railways: As means for controlling from a distance the moving of the signalling object, the combination with an opening in a fluid containing portion of the apparatus of a valve, lid, or closure, in conjunction with a locking or holding device operated by electricity from the point or station whence the moving of the signalling object is governed.

6. The combination with a hand lever *a* *a'* of a rod, *b*, operating in conjunction with a tube, *c*, carried by the compressor end *d*², said tube having a hole at one end of smaller diameter than the tube itself, as above set forth, for the purpose specified.

7. The compressor consisting of the collapsible parts *d*¹ and *d*² united by a central rigid flanged ring, *d*, and provided with guide rods or their equivalents *c* and *d*³, working in tubes *d*⁴ and *d*⁵ carried by a plate or cross-piece *d*⁷, as hereinbefore described and illustrated, for the purpose specified.

8. In combination with a compressor constructed as shown, the pipe *e* with its opening *e'*; valve *s*, lever *t*, weight *t*², armature *u*, and electro-magnet *u*¹, said pipe communicating with the collapsible vessel *f* connected to the semaphore arm *i* as described and shown, for the purpose specified.

AUSTIN CHAMBERS.

Signed by the said Austin Chambers, in the presence of—

F. J. BROUGHAM,

Clerk to Mr. W. Lloydwise,
Patent Agent, London.

This is the specification referred to in the annexed Letters of Registration granted to Austin Chambers, this twenty-third day of August, A.D. 1876.

HERCULES ROBINSON.

REPORT.

SIR,

Sydney, 2 August, 1876.

Having examined and considered the application of Mr. Austin Chambers for a grant of Letters of Registration for his invention for "Improvements in Pneumatic Signals for Railways," we have the honor to report that we see no objection to the protection sought for being granted.

We have, &c.,

JOHN WHITTON.

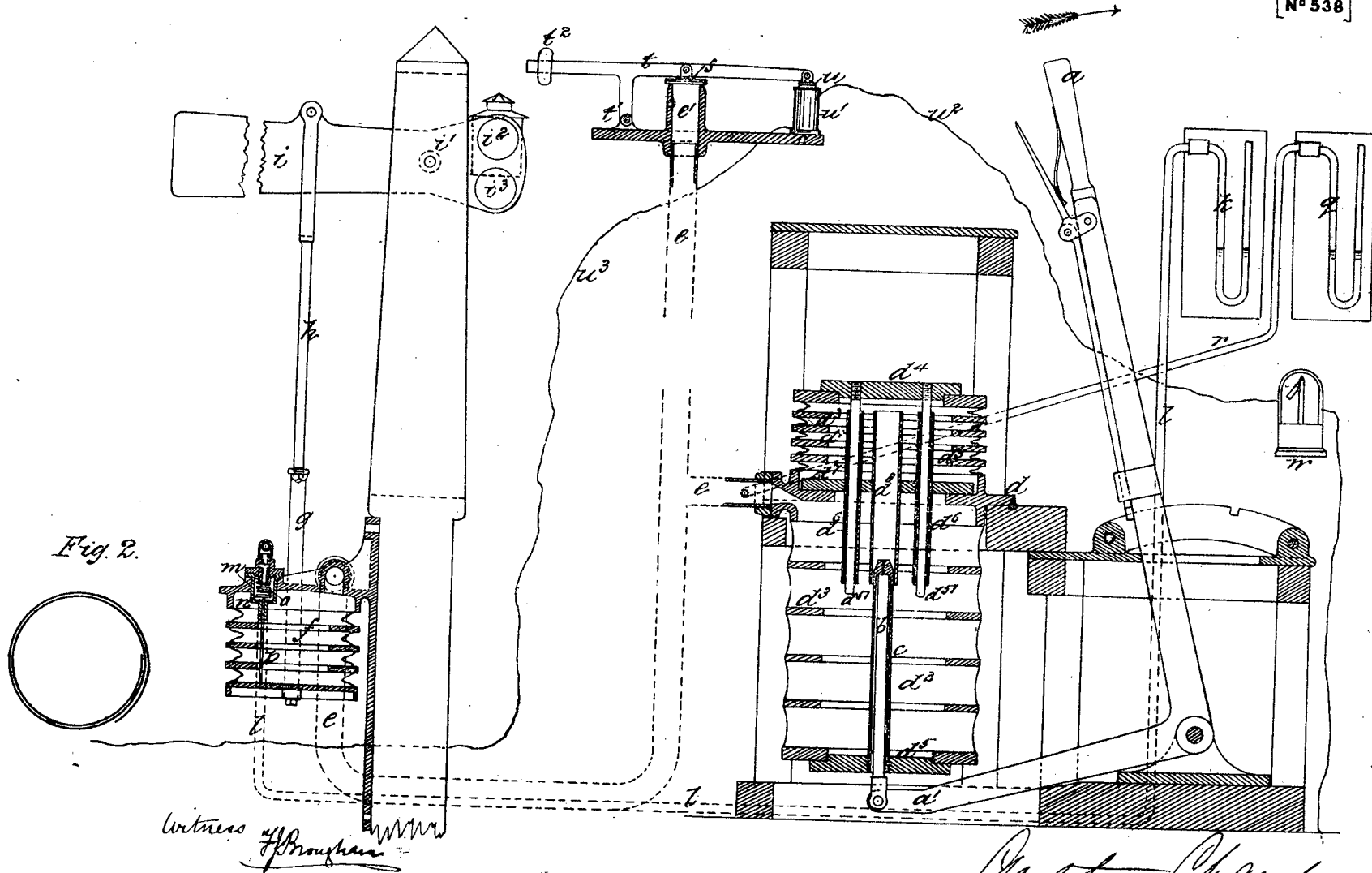
E. O. MORIARTY.

THE PRINCIPAL UNDER SECRETARY.

[Drawings—one sheet.]

Fig. 1.

N^o 538



225-

Austin Chamber
 This is the Sheet of drawings referred to in the
 annexed Letters of Registration granted to Austin
 Chamber this 23rd day of August A.D. 1876
Arcules Robinson

[117]



A.D. 1876, 28th August. No. 539.

**A MACHINE AND PROCESS FOR PREPARING RAMIE AND OTHER FIBRE
FROM THE STALK.**

LETTERS OF REGISTRATION to Charles Carson Coleman, for a Machine and Process for preparing Ramie and other fibre from the stalk.

[Registered on the 29th day of August, 1876, in pursuance of the Act 16 Vic. No. 24.]

BY HIS EXCELLENCY SIR HERCULES GEORGE ROBERT ROBINSON, Knight Grand Cross of the Most Distinguished Order of St. Michael and St. George, Governor and Commander-in-Chief of the Colony of New South Wales and its Dependencies, and Vice-Admiral of the same.

TO ALL TO WHOM THESE PRESENTS SHALL COME, greeting :

WHEREAS CHARLES CARSON COLEMAN, of the city and county of San Francisco, State of California, in the United States of America, machinist, hath by his Petition humbly represented to me that he is the author or designer of a certain invention or improvement in manufactures, that is to say, of an invention for "A Machine and Process for preparing Ramie and other fibre from the stalk," which is more particularly described in the specification and sheet of drawings which are hereunto annexed; and that he, the said Petitioner, hath deposited with the Honorable the Treasurer of the said Colony of New South Wales the sum of Twenty Pounds sterling for defraying the expense of granting these Letters of Registration as required by the Act of Council, sixteenth Victoria; number twenty-four; and hath humbly prayed that I would be pleased to grant Letters of Registration, whereby the exclusive enjoyment and advantage of the said invention or improvement might be secured to him for a period of fourteen years: And I, being willing to give encouragement to all inventions and improvements in the arts or manufactures which may be for the public good, and having received a report favourable to the prayer of the said Petition, from competent persons appointed by me to examine and consider the matters stated therein, and to report thereon for my information, am pleased, with the advice of the Executive Council, and in exercise of the power and authority given to me by the said Act of Council, to grant, and do by these Letters of Registration grant unto the said Charles Carson Coleman, his executors, administrators, and assigns, the exclusive enjoyment and advantage of the said invention or improvement, for and during the term of fourteen years from the date hereof: to have, hold, and exercise unto the said Charles Carson Coleman, his executors, administrators, and assigns, the exclusive enjoyment and advantage thereof for and during and unto the full end and term of fourteen years from the date of these presents next and immediately ensuing, and fully to be complete and ended: Provided always, that if the said Charles Carson Coleman shall not, within three days after the granting of these Letters of Registration, register the same in the proper office in the Supreme Court, at Sydney, in the said Colony of New South Wales, then these Letters of Registration, and all advantages whatsoever hereby granted, shall cease and become void.

In witness whereof, I have hereunto set my sign manual, and have caused the present Letters of Registration to be sealed with the seal of the said Colony of New South Wales, at Government House, Sydney, in New South Wales, this twenty-eighth day of August, in the year of our Lord one thousand eight hundred and seventy-six.

(L.S.)

HERCULES ROBINSON.

A Machine and Process for preparing Ramie, &c.

SPECIFICATION.

TO ALL TO WHOM THESE PRESENTS SHALL COME, I, CHARLES CARSON COLEMAN, of the city and county of San Francisco, State of California, in the United States of America, machinist, send greeting :

WHEREAS I am in possession of an invention for a machine and process for preparing ramie and other fibre from the stalk, and have petitioned Her Majesty to grant unto me, my executors, administrators, and assigns, Her Royal Letters Patent for the same, and have made solemn declaration that I really believe myself to be the first and true inventor thereof :

Now know ye that I, the said Charles Carson Coleman, do hereby declare that the following complete specification under my hand and seal fully describes the nature of my said invention, and the manner in which the same is to be performed, that is to say :—

My invention relates to an improved machine and process for preparing the fibre of ramie, flax, and other textile substances directly from the stalk so that it shall be presented in marketable form by one single operation.

My machine consists of a series of alternate fluted and plain rollers, through which the stalks are passed to be crushed, being led by suitable belts from one set of rollers to another.

From these rollers the crushed material is passed between belts which carry it into and through a tank or bath of hot water or steam, for the purpose of freeing the fibre of the glutinous or gummy substance contained in it, after which it is again passed between pressing rollers which press out the gummy substance. From these rollers it passes to a second tank and rollers, the solution being varied if desired by the introduction of certain chemicals. After a final washing and pressing, the fibre is passed into a drying chamber, and lastly between heated rollers, which deliver it free from all gummy matter and nearly free from stalks,—the fibre being quite white and in a marketable condition.

In order to more fully explain my invention, reference is had to the accompanying drawings, in which figure 1 is a plan or top view ; figure 2 is a side elevation in section, showing the relative arrangement of the tanks and rollers.

AA are a pair of rollers of suitable length, having their periphery fluted or corrugated in regular curves, this form of corrugation being the most effective for breaking up the stalk or envelope. From these rollers the fibre is passed between a pair of plain faced rollers, BB, which press it and deliver it to another pair of fluted rollers, AA, from which it is passed between two or more final pairs of plain rollers B'B'.

Suitable supporting or carrying belts, C, are arranged between each set of rollers as shown, and these receive the material from each set of rollers and deliver it to the next.

From the final pressing rollers B the material is received in a sheet between two belts, D, which are caused to run over pulleys so that they move close together into a tank or receiver, E, where the mass of material is exposed to the action of boiling water or steam.

This may be effected in various ways, but at present I prefer to pass the belts up and down, over two or more sets of rollers or pulleys, so as to expose the mass thoroughly to the action of the hot water or steam.

As the mass rises for the last time from the tank it is delivered by the belts D so as to pass between a pair of smooth squeezing rollers, F.

The gummy matter which is incorporated in the fibre having been softened and partially dissolved by the action of the hot water or steam, will be partially pressed out by the rollers F, after which another pair of belts, D', receive the mass and again carry it through another tank, E', in a manner similar to that which takes place in the first tank.

Another set of pressing rollers, F', again compress the mass, and this operation is repeated by placing as many tanks and rollers continuously as may be needed.

I have found it beneficial to introduce alkaline or other solutions into one or more of the intermediate tanks, as this assists in freeing the fibre of its gummy and colouring matter.

If these baths are employed, a final steam or hot water bath and pressing rollers will finish this part of the process, after which a pair of belts, G, receive the mass and carry it through a hot air receiver, where it will be dried.

A final pair of hot rollers or cylinders, H, may be employed to finish the drying of the fibre, which will be delivered at the end of the process entirely free from its gummy or other foreign matter, and nearly all the woody husk or stalk, so as to be a merchantable article. My belts are made preferably of short links at either end, these links being united by wooden or other slots which extend from side to side, thus making up the width of the belt, which will be sufficiently open to allow free access of steam, hot water, and air to the mass. In some cases it may be found sufficient to employ horizontal belts, carrying the fibre from one set of rollers to another, and the hot water, steam, or other solution can be applied by passing perforated pipes across, above, and below the belts ; but I have found the use of tanks to be more efficient for this purpose. Suitable gear or belt wheels will serve to transmit the power to drive the machine, these being merely mechanical details which any machinist can supply.

Having thus described my invention, what I claim and desire to secure by Letters Patent is,—first, the continuous process of freeing textile fibre from its gummy matter and stalk, the same consisting in first disintegrating the stalk by means of crushing rollers, and then subjecting the mass alternately to hot water or steam and the action of pressing rollers, together with a final drying device, substantially as herein described. Second, the apparatus consisting of the fluted and plain rollers A B in combination with the tanks E, pressing rollers F, and final drying vessel and cylinders, H, when constructed to operate substantially as herein described.

And I do hereby, for myself, my heirs, executors, and administrators, covenant with Her Majesty, Her Heirs, and Successors, that I believe the said invention to be a new invention, as to the public use and exercise thereof, and that I do not know or believe that any other person than myself is the true and first inventor of the said invention, and that I will not deposit these presents at the office of

In

A.D. 1876. No. 539.

119

A Machine and Process for preparing Ramie, &c.

In witness whereof, I, the said Charles Carson Coleman, have hereunto set my hand and seal, this fourteenth day of August, 1875.

CHARLES CARSON COLEMAN. (L.S.)

This is the specification referred to in the annexed Letters of Registration granted to Charles Carson Coleman, this twenty-eighth day of August, 1876.

HERCULES ROBINSON.

REPORT.

SIR,

The application of Mr. Charles Carson Coleman for Letters of Registration for his invention for "A Machine and Process for preparing Ramie and other fibre from the stalk" having been referred to us, we have examined the drawing and specification accompanying the same, and have now the honor to report that we see no objection to the issue of Letters of Registration as prayed for.

Sydney, 7 August, 1876.

We have, &c.,

JOHN WHITTON.
GOTHEK K. MANN.

THE PRINCIPAL UNDER SECRETARY.

[Drawings—one sheet.]

Fig. 1

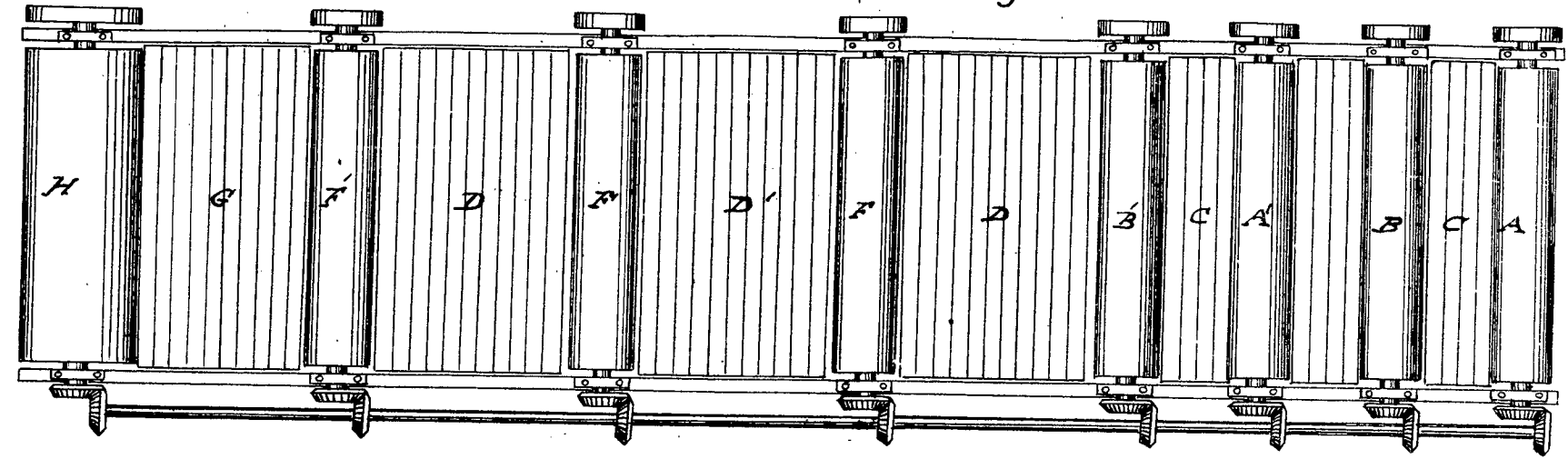
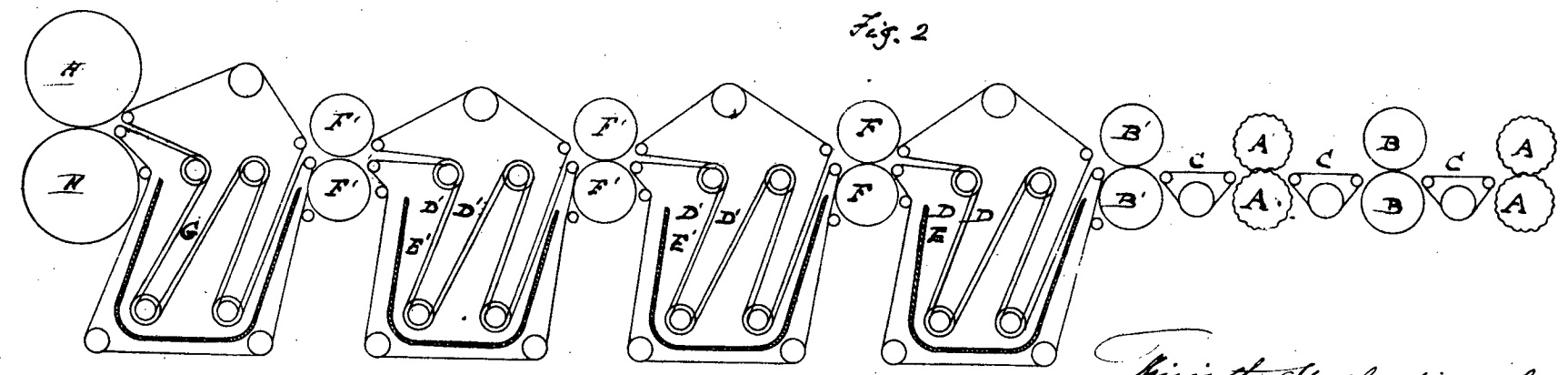


Fig. 2



*This is the Specification referred to in
the annexed Letters of Patent granted to
Charles Carson Colman on this twenty eighth
day of August 1876 -*

[121]



A.D. 1876, 28th August. No. 540.

IMPROVEMENTS IN THE PRESERVATION OF ANIMAL SUBSTANCES.

LETTERS OF REGISTRATION to Charles Hubert de Castella, for Improvements in the Preservation of Animal Substances.

[Registered on the 29th August, 1876, in pursuance of the Act 16 Vic. No. 24.]

BY HIS EXCELLENCY SIR HERCULES GEORGE ROBERT ROBINSON, Knight Grand Cross of the Most Distinguished Order of Saint Michael and Saint George, Governor and Commander-in-Chief of the Colony of New South Wales and its Dependencies, and Vice-Admiral of the same.

TO ALL TO WHOM THESE PRESENTS SHALL COME, greeting :

WHEREAS CHARLES HUBERT DE CASTELLA, of St. Hubert's, near Lilydale, in the Colony of Victoria, hath by his Petition humbly represented to me that he is the author or designer of a certain invention or improvement in manufactures, that is to say, of an invention for "Improvements in the preservation of animal substances," which is more particularly described in the specification and sheet of drawings which are hereunto annexed ; and that he, the said Petitioner, hath deposited with the Honorable the Treasurer of the said Colony of New South Wales the sum of Twenty Pounds sterling, for defraying the expense of granting these Letters of Registration, as required by the Act of Council sixteenth Victoria number twenty-four ; and hath humbly prayed that I would be pleased to grant Letters of Registration, whereby the exclusive enjoyment and advantage of the said invention or improvement might be secured to him for a period of fourteen years : And I, being willing to give encouragement to all inventions and improvements in the arts or manufactures which may be for the public good, and having received a report favourable to the prayer of the said Petition from competent persons appointed by me to examine and consider the matters stated therein, and to report thereon for my information, am pleased, with the advice of the Executive Council, and in exercise of the power and authority given to me by the said Act of Council, to grant, and do by these Letters of Registration grant unto the said Charles Hubert de Castella, his executors, administrators, and assigns, the exclusive enjoyment and advantage of the said invention or improvement, for and during the term of fourteen years from the date hereof, to have, hold, and exercise unto the said Charles Hubert de Castella, his executors, administrators, and assigns, the exclusive enjoyment and advantage thereof, for and during and unto the full end and term of fourteen years from the date of these presents next and immediately ensuing, and fully to be complete and ended : Provided always, that if the said Charles Hubert de Castella shall not, within three days after the granting of these Letters of Registration, register the same in the proper office in the Supreme Court at Sydney, in the said Colony of New South Wales, then these Letters of Registration, and all advantages whatsoever hereby granted, shall cease and become void.

In witness whereof, I have hereunto set my sign manual, and have caused the present Letters of Registration to be sealed with the seal of the said Colony of New South Wales, at Government House, Sydney, in New South Wales, this twenty-eighth day of August, in the year of our Lord one thousand eight hundred and seventy-six.

(L.S.)

HERCULES ROBINSON.

Improvements in the Preservation of Animal Substances.

SPECIFICATION of CHARLES HUBERT DE CASTELLA, of St. Hubert's, near Lilydale, in the Colony of Victoria, gentleman, for an invention intituled, "Improvements in the preservation of animal substances."

THIS invention has reference—first, to the process by which the animal substances are to be preserved; and second, to the mechanical arrangement for carrying out such process.

My process consists in first expelling the atmospheric air, carbonic acid, and other gases, from the substances to be preserved and from the package containing them; then subjecting them to the action of oxygen gas under the pressure of several atmospheres, and finally withdrawing such pressure and hermetically sealing the package when containing only about one atmosphere of oxygen.

My improved mechanical arrangement consists principally of an adjustable casing in which the package is placed whilst its contents are undergoing the process above described, so as to enable it to withstand such pressure during the operation.

The substances to be preserved are cut up into reasonably sized pieces and placed in tin packages of any convenient shape and size, leaving one or more small pin-holes near the bottom and an orifice of (say) an inch diameter about the centre of the top. The full package is placed in a very strong casing made adjustable so as to fit the package with perfect accuracy. Before it is so fitted oxygen is forced into the orifice at the top and pressed quite through the meat, driving before it the carbonic acid, atmospheric air, and other gases contained therein, and expelling them through said pin-holes. As soon as all the carbonic acid and air are expelled these pin-holes are closed, and the casing fitted tightly around the package. The oxygen is then forced into the package until the pressure therein equals that of about thirteen atmospheres, or say one hundred and eighty-six pounds to the square inch. When this point has been reached the pressure is withdrawn and the oxygen allowed to escape through the orifice at the top into a receiver which may be either part of or separate from the machinery for imparting the necessary pressure. The connection between the package and receiver is then cut off. When this has been accomplished the package is disconnected from the oxygen supply pipe and released from the casing in which it has been imprisoned. The orifice at the top is then closed as speedily as possible, and the package is secure.

The top is the only fixed part of the casing, the sides, ends, and bottom being adjustable so as to accommodate themselves to packages of varying size, and the bottom being supplied with friction rollers to facilitate the removal of the packages when required.

In order, however, that my invention may be clearly understood by those skilled in the art, I will proceed to refer to the drawings hereto annexed, where figure 1 shows vertical section of my apparatus; figure 2, elevation of side of casing; figure 3, elevation of end of casing; figures 4, 5, and 6, plan, section, and cross section of top of casing; figure 7, view of package.

A is the oxygen supply pipe conveying the gas through pressure pipe B to open top cylinder C in which is piston D; E and F are pipes leading to oxygen receiver G; H is an adjustable pressure foot; I, a washer; J, a collar screwed on to the neck K of package L; M is the top of casing, having a slot in which is sliding piece M¹; NN are the sides, and N¹N¹ the wedges which cause them to accommodate themselves to and press evenly against the sides of the package; P is the bottom, supported on friction rollers P¹, which travel on platform P², resting on wedges P³; QQ are the ends, each of which has lugs, Q¹, passing through brackets, Q²; B¹, B², E¹, and F¹ are cocks; L¹ is one of the pin-holes.

The mode of operation is as follows:—Before the top is placed on the package it is filled with the substances to be preserved, the top is then soldered down (supposing it to be made of tin, which I prefer), the collar J screwed on, and the package placed on the bottom plate P of the casing. It is then pushed under pipe B to receive the oxygen supply, the piece M¹ slid into its place, the washer I placed in position, and the presser foot H screwed down so as to press tightly upon it. The cocks B¹ and B² are then opened, the piston D pressed down, forcing the oxygen in the lower part of cylinder C through pipe B into the package L, through which and through the contents of which it passes, driving before it the atmospheric air, carbonic acid, and whatever other gases may be therein, expelling them through pin-holes L¹, the pressure up to this time being only just sufficient for the purpose. The pin-holes are then soldered up, the sides and bottom of the casing tightened up to the package by wedges N¹ and P³, and the pressure of the oxygen increased until it reaches about thirteen atmospheres. As soon as this has been reached the cock B¹ is closed, cock E¹ opened, cock F¹ remaining closed. The surplus oxygen then rushes through pipe E into receiver G, leaving only about one atmosphere in the package. Cock E¹ is then closed, the wedges N¹ and P³ loosened, the ends of casing removed, the washer I relieved of the pressure of presser foot H, the sliding piece M¹ removed, and the lower plate P travelling on rollers P¹ rolled out from the casing, carrying the package with it. The orifice in neck K is then securely closed, and the package is complete.

Before the next package is ready for the reception of the oxygen I open cock F¹ and raise piston D, thereby drawing out the gas from receiver G into cylinder C. I then close said cock F¹, and (when the package is in position) open cock B¹, allowing the oxygen to pass from said cylinder into said package. If any additional pressure is needed to expel the carbonic acid, et cetera, as before described, a slight downward movement of the piston D will be sufficient for the purpose.

The oxygen may be generated by any of the processes at present known, such as the Bousingault process.

I do not confine myself to the size, shape, or materials of which my apparatus may be constructed, as it may be altered or varied in these particulars without departing from the nature of my invention, but I prefer to make the packages of tin and the adjustable casing of iron. The other parts of the apparatus shown in the drawing are of an ordinary character, and may be constructed in the ordinary way. I claim—

- 1st. Preserving animal substances by a process in which the three following features are combined:—1st. Expelling the carbonic acid atmospheric air and other gases from the substances to be preserved and from the package in which they are contained; 2nd. Subjecting said prepared substances to the pressure of several atmospheres of oxygen gas, by preference thirteen atmospheres; and 3rdly, withdrawing said pressure with the exception of about one atmosphere and then hermetically sealing the package.

2nd.

A.D. 1876. No. 540.

123

Improvements in the Preservation of Animal Substances.

2nd. The use of an adjustable casing for supporting the package whilst it and the substances contained therein are being subjected to said pressure of oxygen gas, substantially as herein described and explained.

This is the specification referred to in the annexed Letters of Registration granted to Charles Hubert de Castella, this twenty-eighth day of August, 1876.

HERCULES ROBINSON.

REPORT.

SIR,

The application of Mr. Charles Hubert de Castella for Letters of Registration for "Improvements in the preservation of animal substances" having been referred to us, we have examined the specification and drawings accompanying the same, and have now the honor to report that we see no objection to the issue of Letters of Registration as prayed for.

Sydney, 5 August, 1876.

We have, &c.,
J. SMITH.
CHAS. WATT.

THE PRINCIPAL UNDER SECRETARY.

[Drawings—one sheet.]

copy

C. H. DE CASTELLAS
PATENT.

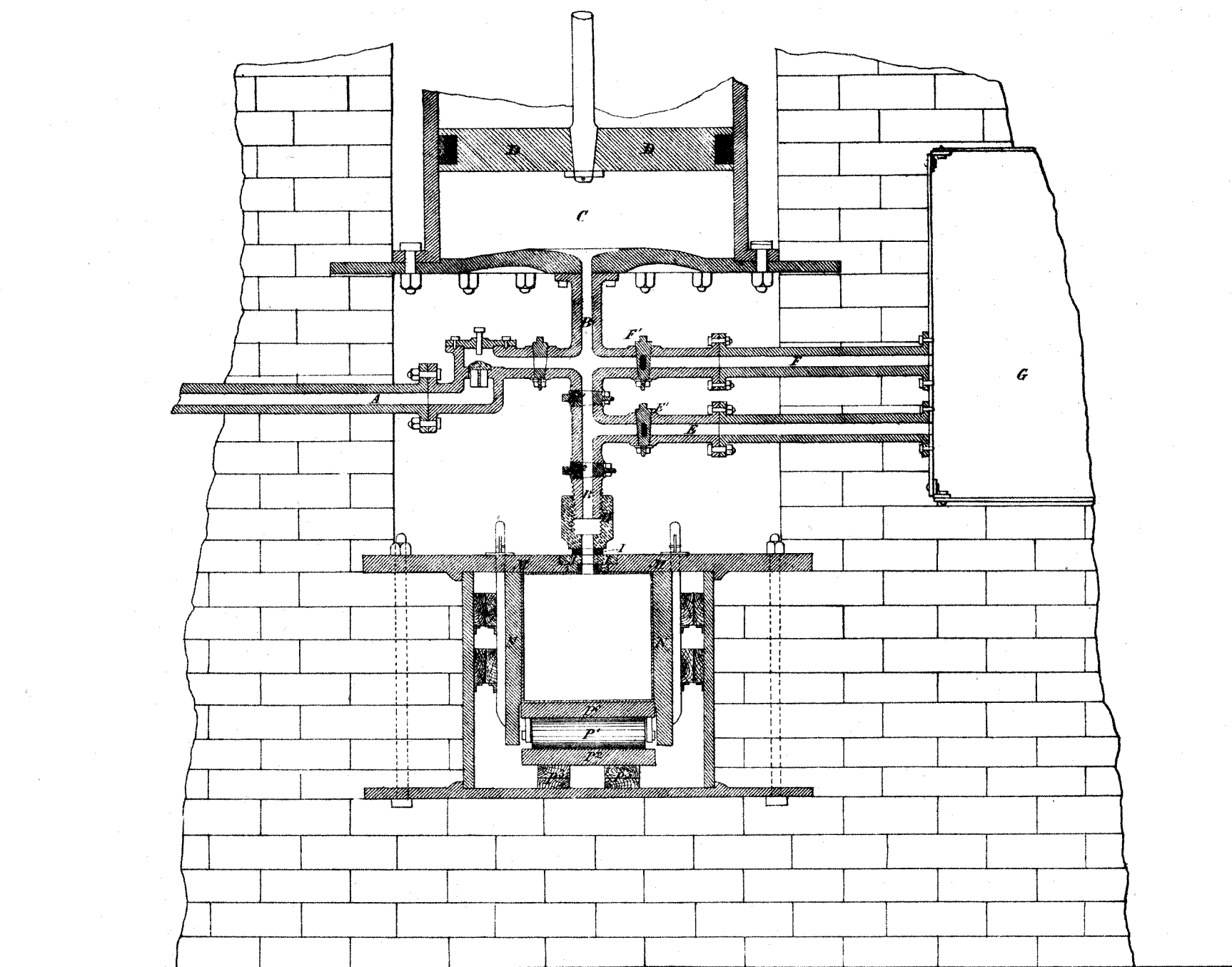


Fig. 1.

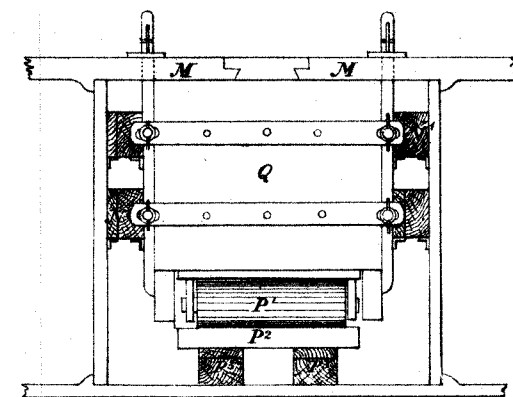


Fig. 3.

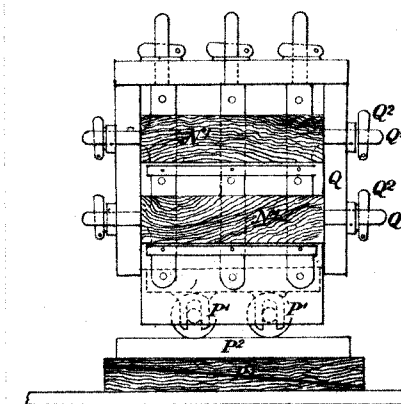


Fig. 2.

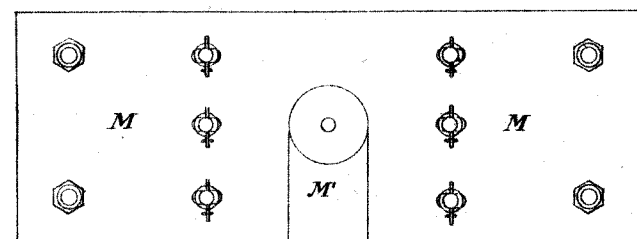


Fig. 4.



Fig. 5.



Fig. 6.

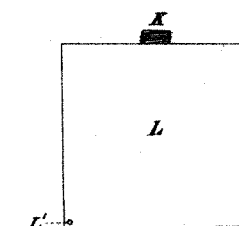


Fig. 7.

*This is the Sheet of Drawings referred to in the annexed
Letter of Registration granted to Charles Hubert de Castellat
this twenty eighth day of August 1876.*

Hercules Robinson

[125]



A.D. 1876, 30th August. No. 541.

IMPROVEMENTS IN SEWING-MACHINES.

LETTERS OF REGISTRATION to George Livingston Du Laney, for Improvements in Sewing-machines.

[Registered on the 31st day of August, 1876, in pursuance of the Act 16 Vic. No. 24.]

BY HIS EXCELLENCY SIR HERCULES GEORGE ROBERT ROBINSON, Knight Grand Cross of the Most Distinguished Order of Saint Michael and Saint George, Governor and Commander-in-Chief of the Colony of New South Wales and its Dependencies, and Vice-Admiral of the same.

TO ALL TO WHOM THESE PRESENTS SHALL COME, greeting :

WHEREAS GEORGE LIVINGSTON DU LANEY, of the city, county, and State of New York, in the United States of America, sewing-machine manufacturer, hath by his Petition humbly represented to me that he is the author or designer of a certain invention or improvement in manufactures, that is to say, of an invention for "Improvements in Sewing-machines," which is more particularly described in the specification and sheet of drawings which are hereunto annexed; and that he, the said Petitioner, hath deposited with the Honorable the Treasurer of the said Colony of New South Wales the sum of Twenty Pounds sterling, for defraying the expense of granting these Letters of Registration, as required by the Act of Council sixteenth Victoria, number twenty-four; and hath humbly prayed that I would be pleased to grant Letters of Registration, whereby the exclusive enjoyment and advantage of the said invention or improvement might be secured to him for a period of fourteen years: And I, being willing to give encouragement to all inventions and improvements in the arts or manufactures which may be for the public good, and having received a report favourable to the prayer of the said Petition, from competent persons appointed by me to examine and consider the matters stated therein, and to report thereon for my information, am pleased, with the advice of the Executive Council, and in exercise of the power and authority given to me by the said Act of Council, to grant, and do by these Letters of Registration grant unto the said George Livingston Du Laney, his executors, administrators, and assigns, the exclusive enjoyment and advantage of the said invention or improvement, for and during the term of fourteen years from the date hereof: to have, hold, and exercise unto the said George Livingston Du Laney, his executors, administrators, and assigns, the exclusive enjoyment and advantage thereof, for and during and unto the full end and term of fourteen years from the date of these presents next and immediately ensuing, and fully to be complete and ended: Provided always, that if the said George Livingston Du Laney shall not, within three days after the granting of these Letters of Registration, register the same in the proper office in the Supreme Court at Sydney, in the said Colony of New South Wales, then these Letters of Registration, and all advantages whatsoever hereby granted, shall cease and become void.

In witness whereof, I have hereunto set my sign manual, and have caused the present Letters of Registration to be sealed with the seal of the said Colony of New South Wales, at Government House, Sydney, in New South Wales, this thirtieth day of August, in the year of our Lord one thousand eight hundred and seventy-six.

(L.S.)

HERCULES ROBINSON.

Improvements in Sewing-machines.

SPECIFICATION.

TO ALL TO WHOM IT MAY CONCERN: Be it known that I, GEORGE LIVINGSTON DU LANEY, of the city, county, and State of New York, United States of America, sewing-machine manufacturer, have invented or discovered new and useful "Improvements in Sewing-machines," and I, the said George Livingston Du Laney, do hereby declare the nature of the said invention and in what manner the same is to be performed to be particularly described and ascertained in and by the following statement thereof, that is to say:—

THE nature of my improvements relates more particularly to the means and arrangement of parts for imparting to the needle and looping-hook relatively to each other a differential variable velocity; also to the peculiar construction and arrangement of the spool-case holder; also to the peculiar means for producing the ornamental cable-stitch and chain-stitch; also to the peculiar construction and manner of securing the presser foot to the bar; also to the hard rubber spool-case and spool or thread guard; also to the peculiarity of the groove in the needle; also to a novel tension device.

In the accompanying drawings figure 1 is a vertical side view or elevation of the machine with a portion of the box covering removed or broken away, showing a cross section of the spool-case holder. Figure 2 is an elevated cross section or end view of the machine showing the feeding mechanism, a portion of the disc being broken away for that purpose, and the relative positions of the spool-case holder and looping-hook. Figure 3 shows a top view of the head of the machine with a portion of the main arm and needle arm broken away, showing a horizontal central view through the tension device and adjusting levers. Figure 4 is a bird's-eye view of the spool-case holder and looping devices. Figure 5 is a longitudinal central view of the needle enlarged. Figures 6, 7, 8, 9, 10, 11, 12, 13, and 14 are detail views of the several parts. Figures 15 and 16, modifications of the tension devices.

The base plate A is formed with a circular opening in its front end sufficiently large to admit of the free action of the parts as hereinafter specified. The main arm or standard B is secured to the bed plate A by means of a large screw which passes through the central portion of the bed plate and enters the base of the arm. The needle arm C is secured to the main arm by means of a screw formed with the journal bearing in the usual manner. The box D is made in two parts, and of such size and shape as to conform to that of the open end of the bed plate A, and has one side or half secured to the bed plate by means of screws. The other side is secured in position by means of a joint or hinge, which is supplied to the rear of the parts, thus providing a convenient means of access to the working parts within the box. The cloth plate F is also made in two parts and is secured angularly in position on the box by means of screws. The main shaft E, to which are attached the slotted discs 1 and 2, is suspended by hangers, *cc*, which are secured to the under side of the bed plate A by means of screws. The independent short shafts or journals HH' find their bearings in other and independent hangers, *ab*, cast solidly to the under side of the bed plate, and at such relative position to the main shaft as to bring one journal above and one below the line of the main shaft, said independent journals being severally provided with cranks and crank-pins, 33, which pins severally engage the radial slots in the main discs 1 and 2, as shown more clearly in figure 6. These discs are so placed upon their shaft E that their slots radiate in the same direction, and as one short shaft H is below the shaft E and the other H' is above said shaft, it follows that when the crank pin which works in the slot or groove of disc 1 is moving away from the axis of shaft E, and therefore causing an accelerated rising movement of the needle, the crank pin of H is moving in its slot of disc 2 towards the axis of shaft E and therefore causing a gradually retarding movement of the looper, thus producing an alternate variable velocity to said independent journals. By this means the needle is withdrawn from the fabric with an accelerated movement, while that of the looping hook is retarded, and *vice versa*. In this way the chafing of the thread against the needle, which would otherwise occur, is entirely obviated. The thread is also by means of this variable motion carried back over the heel of the spool case and out of the way of the point of the needle in its next descent by the increased motion of the hook after the needle has been withdrawn from the fabric, and is in its turn retarded in its downward movement.

The journal H which has its bearing in the end of the hanger *b* is provided with an eccentric, 14, which actuates the needle arm C by means of the connecting rod J. The journal H which passes through the end of the hanger *a* is provided with a disc, O, which carries on its crank-pin the looping-hook P. As it rotates the lower end of the hook being provided with a screw and bearing is supported and guided in its upward and downward movement by means of the slotted hanger *s*, which hanger is secured to the lower end of the stationary hanger *a* as shown.

The feed dog L is formed of a single piece of metal, and its upward half is curved in such shape as to carry it back of and out of the way of the spool-case holder *d*, and it is provided about its fulcrum with an elongated slot which receives the fulcrum screw 9, which secures it in position to the hanger *a*. The slot admits of its free upward and downward movement as it is actuated by means of the eccentric 10, which is formed on the hub of the disc O as it is rotated. The means for effecting the forward and backward movements of the feed dog L are provided for as follows:—A receptacle or socket, *l*, is formed in the dog L at or near its centre, which receives the bent end of the pendent lever *e*, the lower end of which bears against and is actuated by the eccentric 10 as it is rotated. The letter *r* indicates an adjustable elbow-shaped slide fulcrum against which the pendent lever plays at any given point, as it is adjusted upward or downward to give the desired length of stitch at the will of the operator. The letter *u* indicates a bracket secured by means of screws to the hanger *a*, beneath which the slide fulcrum plays. A yielding pressure may be provided beneath the slide by means of a spring (not shown in the drawings). The upper end of the bracket *u* is provided with a horizontal projection which extends at right-angles across the feed dog L at or near its middle, such projection serving to support the feed dog adjustably in position. A spring secures a proper bearing of the feed dog and lever against the eccentric 10.

The spool-case holder is formed of two pieces of metal, and of such shape as is hereinafter described. The main portion of the concaved holder G, which forms the support for the outer jaw, is secured to the bed plate *a* in position relative to the needle and hook by means of screws which pass through the flange provided to the back of the holder for that purpose (see figure 1). The jaw *d* is formed from sheet

Improvements in Sewing-machines.

sheet steel in proper shape, and receives its proper form by being compressed in a die of suitable shape, and is secured in position by means of a screw *t* to the rear of the standard portion G. The jaw *d* is extended backward, as shown in figure 4, to a point beyond that traversed by the point of the hook which controls the loop of thread, as the latter is carried over and back of the spool to a point where the loop is released from the hook as shown.

By reference to the illustration it will be seen that the backward projection of the jaw *d* is extended across the path of the hook at such an angle as will cause the loop of thread as it is carried upward by the hook to glide along the inclined edge of the jaw *d* to a point out of the way and beyond the path traversed by the hook in its passage around the spool-case holder, thus precluding the possibility of the hook engaging the loop of thread left at the heel of the spool-case in case the hook fails to take the thread at the eye of the needle in the next succeeding stitch. The shield *j* which is applied to the rear of the jaw *d*, as shown by the dotted lines, serves as an additional protection to the thread.

The spool-case M is made of hard rubber, and in its construction a rib or shoulder is formed at the conical part of its point on the inside to prevent the spool wedging in the cone, and is further provided with a thread guard, 12, the rear end of which guard projects backward to a point that will bring it in such proximity to that of the inside projection of the spool-case holder as will prevent the loop of thread falling back and underneath the spool-case holder after being released from the looping-hook P. The guard is also continued upward to a point that will admit of its entering the aperture between the inner and outer jaws of the spool-case holder G, thus serving to keep the spool-case holder and thread guard in proper position, and at the same time providing a ready means of adjusting more or less tension on the under thread by passing the thread more or less times around the guard. The spool-case is secured in position by means of the latch 4.

The presser foot I is provided with a slot 8 of V shape at its rear end, as shown figure 7, which shape corresponds to that of the end of the bar N, on which is mounted a solidly fixed washer 13 and an adjusting nut K. By this means a more perfect and ready adjustment is had, and any slack by wear or otherwise is readily taken up, which cannot be done when the sides of the slot are parallel to each other, as is the case in all other devices of a similar nature as used heretofore, and for such parallel slot I make no claim. The foot I is secured in position by being passed back on the end of the bar N and between the washer 13 and the nut K, the latter being then set down tightly upon the foot, thus securing it in position.

The peculiarity of my improved needle consists in providing the same with a shoulder groove, 21, 22. This construction ensures a more perfect and positive loop being formed in the thread immediately opposite the shoulder in the bottom of the groove. The shoulder causes the thread to be thrown off from the needle just at the point where the hook enters the loop formed in the thread by the withdrawal of the needle from the fabric, as shown in figure 5. By extending the groove above the shoulder a ready means of protecting the thread against undue friction is provided, and the thread is thus allowed much more freedom of action than with needles as ordinarily constructed.

My improved tension device is constructed in the following manner,—The disc O' is formed of a circular piece of metal of any suitable diameter, the hub of which projects out sufficiently to admit of a ready and convenient means of turning the disc with the thumb and finger when threading the needle. The tension wheel or disc is secured to the hanger V, which is suspended beneath the main arm by a screw formed with a journal bearing under the head of which is formed in the disc a cavity for the reception of a yielding pad or packing, against which the head of the screw is set down sufficiently to prevent any backward action of the disc during the backward motion of the clutch *mm*. The rim of the disc is formed with a feather edge or bevel flange which, in conjunction with the metallic ring *oo*, which is pressed over the shoulder of the disc, forms a wedge-shaped channel around its circumference, which channel receives and feeds off the thread as the disc is rotated. On the back face of the disc is formed an annular groove that receives the bent end of the grip lever *mm*, which lever by the vibrating action of the needle bar C and lifter *z* causes the disc to rotate and feed off the thread with the proper degree of tension to the needle.

The length of the stroke imparted to the feed lever by the needle bar is graduated in the following manner:—To the main arm B is secured by means of the screw 15 the adjusting lever 3, to which is pivoted by means of the fulcrum screw 14 the graduating lever 40. This lever engages at its slotted end with the stud or spur carried on the end of the yoke 8', which is connected rigidly to the presser bar N. At the opposite end of the lever 40 projects transversely a horizontal stud or spur, X, on which the clutch lever *m* rests at any given point to which it is adjusted. Thus it will be observed that in the same proportion as the presser bar N is affected upward or downward by the varying thickness of goods passing beneath the foot, is the graduating lever 40 and spur X affected; consequently more or less motion is imparted to the clutch *m* and disc O' by the needle-bar C, which causes more or less thread to be fed off to the needle to suit any thickness of goods. The degree of tension is fixed by adjusting the lever 3, which changes the relative position of the lever 40 up or down to suit any length of stitch or thickness of goods. Once adjusted no other changes are required, no matter how varied or irregular the thickness of goods.

The spring *m*² serves to keep the lever *m* in contact with the edges of the annular groove when being actuated by the bar C. Two small discs, 5, are provided at the end of the needle-bar between which the thread passes to the eye of the needle, for the purpose of controlling, by a gently yielding pressure, the slack thread about the eye of the needle.

Figures 11, 12, 13, and 14 show the parts 3, 40, 8, and *mm* detached.

A novel device is provided for producing what I call the "ornamental cable-stitch" and also the common chain-stitch, which is as follows:—On the upper front edge of the jaw *d*, and just in advance of the path of the needle, is formed a neck together with a small point 7, which co-act in the formation of the loop with the slotted thread guard *g* as hereinafter described.

The guard *g* is blanked from sheet steel in the ordinary way, and is in its construction provided with a thumb-like projection 6, extending out from the main body of the guard. The guard is secured adjustably by means of a screw and pin to the top face of the spool-case holder G in such position as when in action to engage and retain the thread in loop form on the points 6 and 7, as shown in figure 4, as it is carried by the hook around the spool-case.

By

Improvements in Sewing-machines.

By this means the loop which has been formed in the thread is held at rest in such position as will insure the needle entering the same in its next descent, said loop being drawn up by the hook at the next succeeding stitch and at the same time interlacing it with the under thread, thus forming the ornamental cable-stitch. The chain-stitch is made in the same way after removing the under thread from the spool-case. The thread guard *g* is brought into action only when these two kinds of stitches are made, the guard being withdrawn when the lock-stitch is being made to the position shown by the dotted lines in figures 2 and 4.

In the modification of the tension devices shown in figures 15 and 16, figure 15 is a rear view and figure 16 a top view, both fragmentary. The piece *a*¹ is blanked from sheet steel in the form shown. The piece *b*¹ is also blanked from sheet steel, and is secured adjustably to the piece *a*¹ as shown. The stud *c*¹ is attached to the piece *b*¹ transversely as shown, and against it the clutch lever is graduated in the same manner as hereinbefore described, except that the action is reversed, and the lever is pressed down instead of lifted up. The action of the needle-bar and presser-foot are thus communicated directly to the pin *c*¹ through the agency of *a*¹ and *b*¹, thus controlling the motion of the lever which actuates the tension wheel. The joint serves to adjust the length of stroke to deliver thread as required. The thread is shown at *d*¹*d*¹ passing from the top of the wheel to the eyelet and thence up over and between the discs 5, as before described.

I claim as follows:—

- First—The combination with the main shaft E and with the needle-operating mechanism and a looper of the discs 1 and 2, provided with radial slots, the cranks and crank-pins 3 3, the shaft H¹ above the shaft E, and the shaft H below it or on the opposite side, as and for the purpose set forth.
- Second—The spool-case holder G constructed as described and provided with the jaw *d*, having a thread projection 7 located on its upper edge at a point slightly in advance of the path of the needle, substantially as and for the purpose specified.
- Third—The shield or guard *j* in combination with the jaw *d* as shown, and for the purpose set forth.
- Fourth—In combination with the hard rubber spool-case M, the spool-guard 12, constructed with the rearward extension as shown, and applied to the spool-case and operating as and for the purpose set forth.
- Fifth—A sewing-machine needle provided with a shoulder groove 21, 22, substantially as shown and for the purpose specified.
- Sixth—The combination for joint operation of the following devices, viz., the tension wheel O¹, ring OO, lever *mm*, spring *m*², lifter *z*, spur *x*, adjusting lever 3, graduating lever 40, and yoke 8¹, these parts being constructed substantially as shown and set forth.
- Seventh—In a sewing-machine the combination with a thread tension device adapted to feed out automatically the quantity of thread for a stitch and with the needle of the discs 5 when used for controlling the slack thread above the eye of the needle as and for the purpose specified.
- Eighth—The adjustable slotted thread-guard *g* in combination with the jaw *d*, provided with the point 6, substantially as described and for the purpose set forth.
- Ninth—The combination of the wheel O¹, lever *mm*¹, spring *m*², lifter *z*, spur *x*, adjusting lever 3, graduating lever 40, yoke 8, and bar N, the several parts being constructed substantially as and for the purpose specified.
- Tenth—The combination with the feed dog L of the eccentric 10, the pendent lever *e*, adjustable fulcrum slide *r*, and bracket *u*, substantially as set forth.
- Eleventh—The combination of devices for producing tension on the thread, substantially as described, and illustrated in figures 15 and 16.

In witness whereof, I, the said George Livingston Du Laney, have hereunto set my hand and seal, this day of , in the year of our Lord one thousand eight hundred and seventy-six.

This is the specification referred to in the annexed Letters of Registration granted to George Livingston Du Laney, this thirtieth day of August, 1876.

HERCULES ROBINSON.

Improvements in Sewing-machines.

REPORT.

SIR,

Sydney, 10 August, 1876.

We do ourselves the honor to return to you the documents transmitted for our report under your blank cover communication of the 2nd instant, No. 76/5503, which have reference to Mr. George Livingston Du Laney's application for Letters of Registration for "Improvements in Sewing-machines." We beg to state that we see no objection to the issue of the Letters of Registration asked for in terms of Mr. Du Laney's Petition, specification, drawings, and claims.

We have, &c.,

GOTHER K. MANN.
E. O. MORIARTY.

THE PRINCIPAL UNDER SECRETARY.

[Drawings—one sheet.]

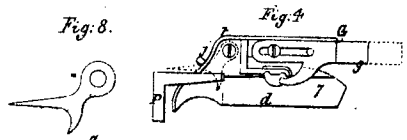
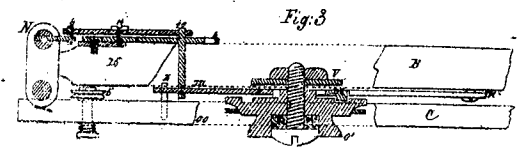
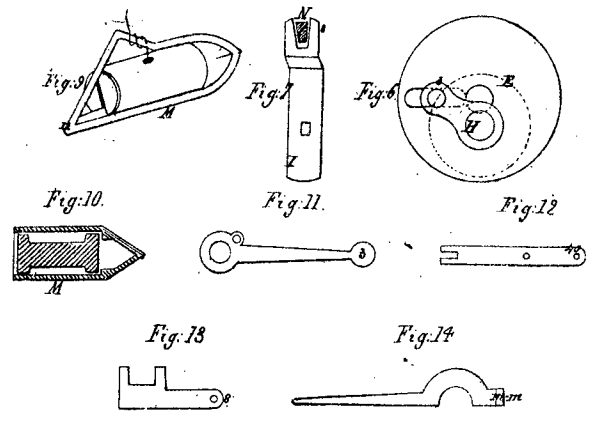
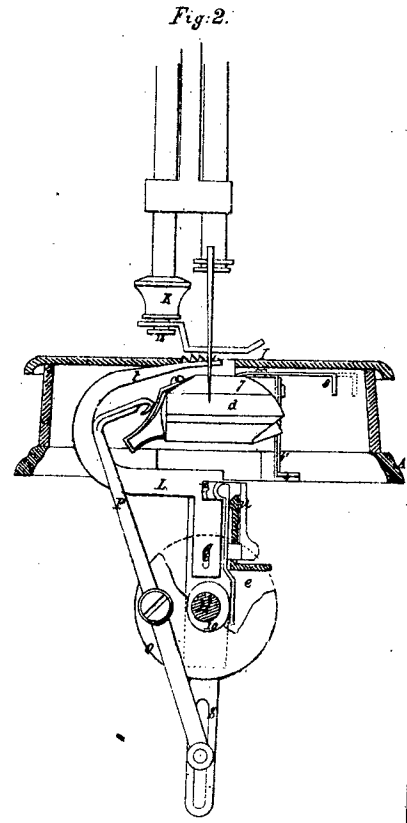
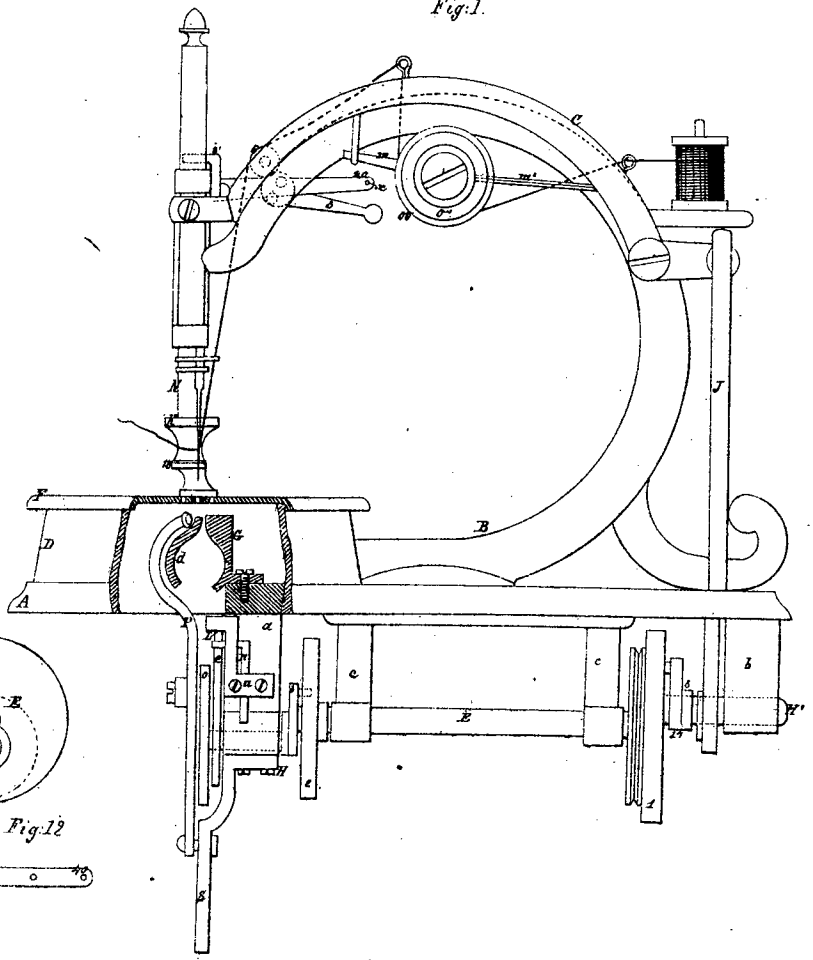
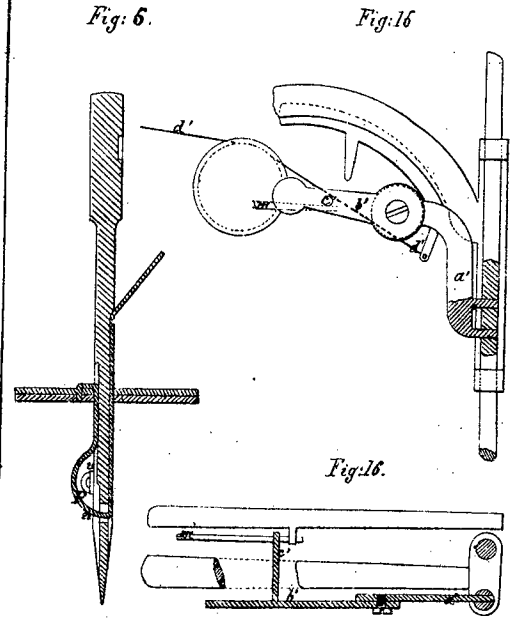
No. 542.

[Assignment of No. 242A. See page 73 of Return of 21 June, 1872.]

No. 543.

[Assignment of No 387. See page 131 of Return of 9 July, 1875.]

This is the Sheet of Drawings referred to in the annexed Letters of Patents granted to Joseph Livingston Du Lancy this thirteenth day of August 1846.
Heriules Robinson



[131]



A.D. 1876, 30th August. No. 544.

HARRISON'S HYDROGEN PROCESS.

LETTERS OF REGISTRATION to William Henry Harrison, for an Invention for reducing Oxides of Tin, Antimony, Lead, and Copper by means of Hydrogen.

[Registered on the 1st day of September, 1876, in pursuance of the Act 16 Vic. No. 24.]

BY HIS EXCELLENCY SIR HERCULES GEORGE ROBERT ROBINSON, Knight Grand Cross of the Most Distinguished Order of St. Michael and St. George, Governor and Commander-in-Chief of New South Wales and its Dependencies, and Vice-Admiral of the same.

TO ALL TO WHOM THESE PRESENTS SHALL COME, greeting :

WHEREAS WILLIAM HENRY HARRISON, of Macleay-street, Potts Point, Sydney, in the Colony of New South Wales, hath by his Petition humbly represented to me that he is the author or designer of a certain invention or improvement in manufactures, that is to say, of an invention termed "Harrison's Hydrogen Process," which is more particularly described in the specification and sheet of drawings which are hereunto annexed ; and that he, the said Petitioner, hath deposited with the Honorable the Treasurer of the said Colony of New South Wales the sum of Twenty Pounds sterling, for defraying the expense of granting these Letters of Registration, as required by the Act of Council sixteenth Victoria, number twenty-four ; and hath humbly prayed that I would be pleased to grant Letters of Registration, whereby the exclusive enjoyment and advantage of the said invention or improvement might be secured to him for a period of fourteen years : And I, being willing to give encouragement to all inventions and improvements in the arts or manufactures which may be for the public good, and having received a report favourable to the prayer of the said Petition, from competent persons appointed by me to examine and consider the matters stated therein, and to report thereon for my information, am pleased, with the advice of the Executive Council, and in exercise of the power and authority given to me by the said Act of Council, to grant, and do by these Letters of Registration grant unto the said William Henry Harrison, his executors, administrators, and assigns, the exclusive enjoyment and advantage of the said invention or improvement for and during the term of fourteen years from the date hereof : to have, hold, and exercise unto the said William Henry Harrison, his executors, administrators, and assigns, the exclusive enjoyment and advantage thereof, for and during and unto the full end and term of fourteen years from the date of these presents next and immediately ensuing, and fully to be complete and ended : Provided always, that if the said William Henry Harrison shall not, within three days after the granting of these Letters of Registration, register the same in the proper office in the Supreme Court at Sydney, in the said Colony of New South Wales, then these Letters of Registration, and all advantages whatsoever hereby granted, shall cease and become void.

In witness whereof, I have hereunto set my sign manual, and have caused the present Letters of Registration to be sealed with the seal of the said Colony of New South Wales, at Government House, Sydney, in New South Wales, this thirtieth day of August, in the year of our Lord one thousand eight hundred and seventy-six.

(L.S.)

HERCULES ROBINSON.

Harrison's Hydrogen Process.

SPECIFICATION.

TO ALL TO WHOM THESE PRESENTS SHALL COME, I, William Henry Harrison, of Sydney, in the Colony of New South Wales, send greeting:

WHEREAS I am desirous of obtaining Royal Letters Patent for securing unto me Her Majesty's special license that I, my executors, administrators, and assigns, and such others as I or they should at any time agree with, and no other, should and lawfully might from time to time, and at all times during the term of fourteen years, to be computed from the day on which this instrument shall be left at the office of the Colonial Secretary, make, use, exercise, and vend within the Colony of New South Wales and its Dependencies an invention for reducing oxides of tin, antimony, lead, and copper by a chemical and mechanical contrivance, to be designated "Harrison's Hydrogen Process for the reduction of oxides of tin, copper, lead, and antimony"; and in order to obtain the said Royal Letters Patent, I must by an instrument in writing, under my hand and seal, particularly describe and ascertain the nature of the said invention, and in what manner the same is to be performed, and must also enter into the covenant hereinafter contained. Now know ye, that the nature of the said invention, and the manner in which the same is to be performed, is particularly described and ascertained in and by the following statement, that is to say, the process and contrivance for which this patent is claimed by me I designate "Harrison's Hydrogen Process for the reduction of oxides of tin, copper, lead, and antimony," and is the application of certain chemical and mechanical contrivances by which the reduction of tin, antimony, lead, and copper is to be effected. The details of the mechanism and the method of the action of the within claimed patent are as follows:—I erect an ordinary gas-retort, or bench of retorts, each of which I provide with a pipe marked B in the drawings accompanying this specification; the said pipe I insert through either end of the retort, but I prefer it as low down as possible, so that it may lay on or near the retort bottom; such pipe is about 1 inch bore, and pierced at intervals of 6 inches or thereabouts, with holes about $\frac{1}{8}$ of an inch. I prefer the said pipe marked B to be continued along the whole course of the retort; the said pipe is for the purpose of inducting hydrogen or carburetted hydrogen gas into the retort in which the ores to be operated upon are placed; the pipe is continued from the retort to a gas-holder, and is provided with a stop-cock, or I insert the end only of a similar sized gas-pipe into either end of the retort; but I prefer it as first described. The retorts may be placed in the furnace either vertically or in a horizontal position. I prefer them to be about 7 feet long and 15 inches diameter; they may be round, oval, D shaped, or square, the shape being of no immediate consequence in the action of the process; I prefer them to be of clay. When I erect the retorts horizontally, I prefer to have a fall from the mouth-piece to the opposite end of about 6 inches, more or less, to enable the metals which are fusible on reduction to flow to the siphon or tapping-hole to be described hereafter. At the lower part of the end opposite the mouth-piece I pierce a hole about $1\frac{1}{2}$ inch more or less diameter, and insert in it an iron or clay tube, which may be either straight or bent into the form of a siphon, as shown in the plans, at K; I prefer the latter, as by that form the retort is sealed from access of air, and serves an important function in enabling a pressure of hydrogen or carburetted hydrogen gas being brought to bear on the ores under treatment at a high temperature, for which purpose I draw the said gas from a holder of the ordinary kind, and thence, by means of a force pump (under a pressure of from $\frac{1}{2}$ lb. to 4 lbs. to the square inch), force the gas as described amongst the ores in the retort, where the oxygen of such ores combines with the hydrogen and carbon of the said gas, and as steam, carbonic acid, and carbonic oxide escape by means of an ordinary escape valve placed on the mouth-piece of the retort and shown at I in the plans; or the said steam, carbonic acid, carbonic oxide may be inducted into condensing pipes, the size and shape of which are immaterial for the purposes of this invention, as the rapid removal of the said gases is the only object in view. In the adoption of the vertical retort I provide a straight tapping-hole and channel in the bottom side of the retort, continued through the walls of the furnace, whence the metals on reduction are tapped off; the latter position is only suitable for metals fusible at the temperature of the furnace, being tin, lead, and antimony. The horizontal position is preferable for treating copper-ores as described. The tapping-hole alluded to in the vertical retorts is shown at K, fig. 5. In treating copper-ores when the abstraction of the combined oxygen by means of the gas is effected, I withdraw the contents of the retort by a rabble, and melt the whole in either a suitable melting furnace or crucibles, these latter being no part of this patent. I also pass a fine stream of steam over incandescent carbon for the purpose of procuring hydrogen gas; I prefer to do this over the coke (whilst hot in the gas retorts or ovens) resulting from the manufacture of gas from wood or coal, the object being by such means to decompose such steam, its oxygen being conveyed by the ordinary ascension pipes and mains into the holder. I do not confine myself to the number, size, or shapes of the retorts as described for the reduction of oxides of the metals herein mentioned by means of hydrogen or carburetted hydrogen gas.

One sheet of drawings accompanies this specification with reference thereto, as follow—the letters referring to the same parts in each figure:—A, retort; B, pipe for inducting gas; C, walls of furnace; D, pipe of mouth-piece with safety-valve; E, mouth-piece; F, flue's ashpit; G, gas generator; H, pipe from gas generator; I, escape valve; K, tapping hole and siphon.

I claim for the use and reduction of oxides of tin, lead, antimony, and copper by heating them in the arrangements set forth herein, and conveying hydrogen or carburetted hydrogen gas amongst the said oxides with a view to abstract the oxygen therefrom. I claim the application of such said gases under pressure as an important aid in the reduction of ores of tin, lead, antimony, and copper. I claim the application of the siphon tapping hole, placed as described in retorts, with a view to providing a continual running of fusible metals herein named as reduced and to seal the retort from access of air. I claim the use of a force-pump for the purpose of forcing gas into the retorts as described. I claim the use and application of passing steam and incandescent carbon for the production of hydrogen gas for the purposes of this invention.

And

A.D. 1876. No. 544.

133

Harrison's Hydrogen Process.

And I do hereby, for myself, my heirs, administrators, executors, and assigns, covenant with Her Majesty, her heirs and successors, that I believe the said invention to be a new invention as to the public use and exercise thereof; and that I do not know or believe that any other person than myself is the true and first inventor of the said invention; and that I will not deposit these presents at the office of the Chief Secretary with any such knowledge or belief as last aforesaid.

In witness whereof, I have hereunto set my hand and seal, this seventh day of August, one thousand eight hundred and seventy-six.

WILLIAM HENRY HARRISON. (L.S.)

This is the specification referred to in the annexed Letters of Registration, granted to William Henry Harrison, this _____ day of _____ 1876.

REPORTS.

SIR,

Sydney, 2 August, 1876.

We do ourselves the honor to return to you the documents transmitted for our report under your blank cover communication of the 22nd ultimo, No. 76/5215.

Having heard Mr. W. H. Harrison's explanation in support of his specification and claim, we are still of opinion that his application for Letters of Registration cannot be recommended in its present form. We therefore suggest that the papers be returned to Mr. Harrison for revision.

We have, &c.,

GOTHER K. MANN.
CHAS. WATT.

THE PRINCIPAL UNDER SECRETARY.

SIR,

Sydney, 10 August, 1876.

We do ourselves the honor to return to you the documents transmitted for our report, under your blank cover communication of the 7th instant, No. 76/5744, and now beg to state that we see no objection to the issue of Letters of Registration in terms of Mr. William Henry Harrison's Petition, drawings, and amended specification and claim.

We have, &c.,

GOTHER K. MANN.
CHAS. WATT.

THE PRINCIPAL UNDER SECRETARY.

[Drawings—one sheet.]

HARRISON'S HYDROGEN PROCESS

for the reduction of oxides of Tin Lead Antimony and Copper

Scale

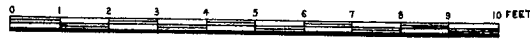


PHOTO-LITHOGRAPHED AT THE GOVT. PRINTING OFFICE,
SYDNEY, NEW SOUTH WALES.

FIG. 3.
CROSS SECTION AT SYPHON

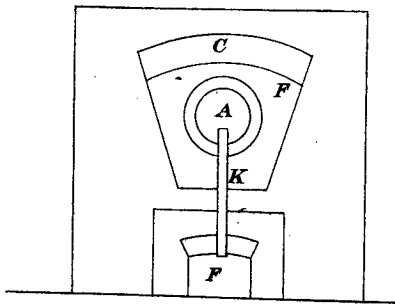


FIG. 4.
CROSS SECTION AT Z

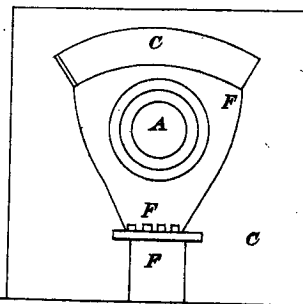


FIG. 5.

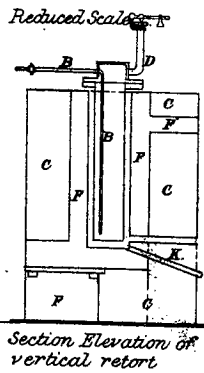


FIG. 2.
SECTION OF PLAN

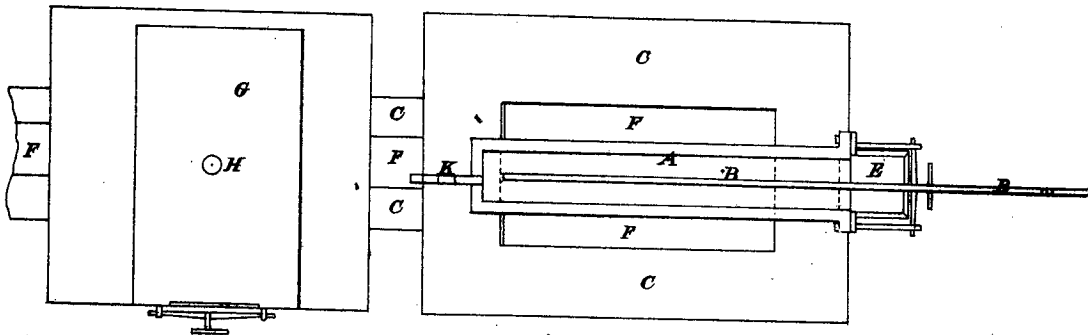
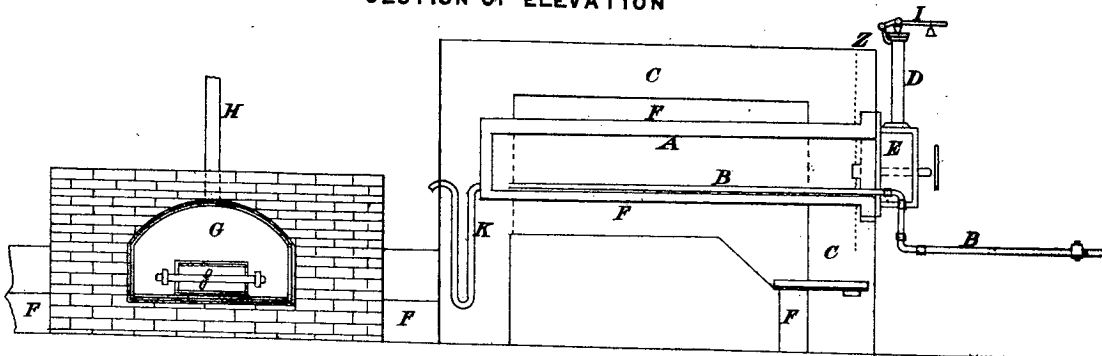


FIG. 1.
SECTION OF ELEVATION



W.H. Harrison

This is the Sheet of Drawings referred to in the annexed
Letters of Registration granted to William Henry
Harrison this day of 1875

[135]



A.D. 1876, 6th September. No. 545.

IMPROVEMENTS IN TANNING, AND IN APPARATUS CONNECTED THEREWITH.

LETTERS OF REGISTRATION to Phillippe Joseph Dussaud, of the firm of P. & J. Dussaud, Frères, and Joseph Duchez, of the firm of Duchez & Bendinger, of Bordeaux, France, merchants, for Improvements in Tanning, and in Apparatus connected therewith.

[Registered on the 7th day of September, 1876, in pursuance of the Act 16 Vic. No. 24.]

BY HIS EXCELLENCY SIR HERCULES GEORGE ROBERT ROBINSON, Knight Grand Cross of the Most Distinguished Order of St. Michael and St. George, Governor and Commander-in-Chief of the Colony of New South Wales and its Dependencies, and Vice-Admiral of the same.

TO ALL TO WHOM THESE PRESENTS SHALL COME, greeting :

WHEREAS PHILLIPPE JOSEPH DUSSAUD of the firm of P. & J. Dussaud, Frères, and JOSEPH DUCHEZ, of the firm of Duchez & Bendinger, of Bordeaux, France, merchants, have by their Petition humbly represented to me that they are the authors or designers of a certain invention or improvement in manufactures, that is to say, of an invention for "Improvements in Tanning, and in Apparatus connected therewith," which is more particularly described in the specification and sheet of drawings which are hereunto annexed; and that they, the said Petitioners, have deposited with the Honorable the Treasurer of the said Colony of New South Wales the sum of Twenty Pounds sterling for defraying the expense of granting these Letters of Registration as required by the Act of Council, sixteenth Victoria, number twenty-four; and have humbly prayed that I would be pleased to grant Letters of Registration, whereby the exclusive enjoyment and advantage of the said invention or improvement might be secured to them for a period of fourteen years: And I, being willing to give encouragement to all inventions and improvements in the arts or manufactures which may be for the public good, and having received a report favourable to the prayer of the said Petition, from competent persons appointed by me to examine and consider the matters stated therein, and to report thereon for my information, am pleased, with the advice of the Executive Council, and in exercise of the power and authority given to me by the said Act of Council, to grant, and do by these Letters of Registration grant unto the said Phillippe Joseph Dussaud and Joseph Duchez, their executors, administrators, and assigns, the exclusive enjoyment and advantage of the said invention or improvement, for and during the term of fourteen years from the date hereof: to have, hold, and exercise unto the said Phillippe Joseph Dussaud and Joseph Duchez, their executors, administrators, and assigns, the exclusive enjoyment and advantage thereof for and during and unto the full end and term of fourteen years from the date of these presents next and immediately ensuing, and fully to be complete and ended: Provided always, that if the said Phillippe Joseph Dussaud and Joseph Duchez shall not, within three days after the granting of these Letters of Registration, register the same in the proper office in the Supreme Court, at Sydney, in the said Colony of New South Wales, then these Letters of Registration, and all advantages whatsoever hereby granted, shall cease and become void.

In witness whereof, I have hereunto set my sign manual, and have caused the present Letters of Registration to be sealed with the seal of the said Colony of New South Wales, at Government House, Sydney, in New South Wales, this sixth day of September, in the year of our Lord one thousand eight hundred and seventy-six.

(L.S.)

HERCULES ROBINSON.

225—2 P

SPECIFICATION.

Improvements in Tanning, and in Apparatus connected therewith.

SPECIFICATION.

TO ALL TO WHOM THESE PRESENTS SHALL COME: We, PHILIPPE JOSEPH DUSSAUD, of the firm of P. & J. Dussaud, Frères, and JOSEPH DUCHEZ, of the firm of Duchez & Bendinger, of Bordeaux, France, merchants, send greeting :

WHEREAS we are desirous of obtaining Letters of Registration for the Colony of New South Wales securing unto us Her Majesty's special license that we, our executors, administrators, and assigns, and such others as we or they should at any time agree with, and no others, should and lawfully might from time to time, and at all times during the term of fourteen years next and immediately after the date of the said Letters of Registration, make, use, exercise, and vend within the said Colony of New South Wales an invention for "Improvements in Tanning and in apparatus connected therewith." And whereas, in order to obtain such Letters of Registration, we must, by an instrument or specification in writing under our hands and seals particularly describe and ascertain the nature of the said invention, and in what manner the same is to be performed: Now, know ye, that the nature of the said invention, and the manner in which the same is to be performed, is particularly described and ascertained in and by the following statement in writing, and on reference to the accompanying sheet of drawings, that is to say:—

The object of this invention is to abridge considerably the time occupied in the tanning of hides and skins as effected by the ordinary process of maceration in pits, by forcing the tanning material to penetrate through the entire thickness of the hides in a rapid and complete manner.

This new method of tanning comprises a series of operations, which will be described in their order.

First operation: The hides having been unhaired and washed are placed in vats containing a weak tanning liquor, they are frequently agitated, and they remain therein from twelve to seventy-two hours, according to their thickness and quality, care being taken to increase the strength of the liquor every twenty-four hours for thick skins.

Second operation: The hides being withdrawn from the vats are placed in a closed vessel of suitable form capable of supporting a pressure of 8 kilogrammes, and rendered unattackable by tannic acid; they are arranged as in an ordinary vat, that is to say, in layers, interposing between them an inactive material; spent bark which is deprived of its tannin answers this purpose best. The vat is then filled with tanning liquor stronger than that used in the first operation. Pressure is then applied, and the hides or skins are left under pressure from two to five days according to their quality.

Third operation: After this delay the vessel is entirely emptied and cleansed, the liquor, the inactive material, and the hides being withdrawn. The hides are then placed back again into the vat, arranged as before, replacing the inactive material by bark or tanning matter containing all its tannin.

The vessel is filled with the liquor used in the second operation, or with liquor of the same strength; it is then again put under pressure at once for very thin hides, and at the end of four days for thicker ones. In cases where the tanning matter is liquid, in order that the hides may remain always isolated from each other, care must be taken at the commencement of this third operation only to remove the liquor without disturbing the hides or the matter which isolates them. According to the thickness and quality of the hides remaining under pressure, for from two to five days will suffice for tanning thin hides or skins.

Fourth operation: For hides of medium thickness, after remaining fifteen days under pressure in the third operation they should be removed from the vessel, and the bark or tanning matter which has parted with its tannin should be replaced with fresh material containing all its tannin, the hides being always arranged as before.

The vessel is filled with the liquor of the preceding operation, or with liquor of the same strength, and at the expiration of from four to six days, according to the thickness and quality of the hides, the pressure is applied.

From fifteen to twenty days under pressure suffices for the entire tanning of this class of hides.

Fifth operation: For hides of great thickness, at the expiration of twenty days under pressure in the fourth operation they should be removed from the vessel, and the bark or tanning matter which has parted with its tannin should be replaced with fresh material containing all its tannin, the hides being arranged always in layers as before.

The vessel is filled with the liquor of the fourth operation, or with liquor of the same strength, and pressure is applied at the end of twelve days. Twenty-five days under pressure is sufficient to complete the tanning.

The pressure should be a few kilogrammes only in the second operation, and should be gradually increased at each operation until finally it reaches about 8 kilogrammes.

In cold weather, for tanning in the time abovenamed, it is necessary that the place containing the closed vessel should be kept at a temperature not less than 10 degrees above zero (centigrade).

The series of operations above described may be carried on in a closed vessel of any form, but the vessel or apparatus hereinafter described has given good results, although we do not wish to confine ourselves exclusively to its use.

The accompanying drawing shows clearly the construction and operation thereof.

Figure 1 is an external elevation of the apparatus, and figure 2 is a corresponding plan view. Figure 3 is a vertical section through the line 1-2, and figure 4 is a horizontal section through the line 3-4.

This vessel or apparatus is composed of a large cylinder closed at its two ends by spherical caps. At the upper part is an opening for charging the same, firmly closed by a cover; towards the lower part is fitted a screen or false bottom, S, intended to support the hides. This false bottom is in three pieces, and covered with metallic wire-cloth, so that it can be easily raised and replaced.

Along the vertical walls of the cylinder are arranged metallic tubes, R, pierced all over with holes, and intended to facilitate the distribution of the liquor in the apparatus and its flowing away during the emptying.

The false bottom being put in its place, the workman who is in the cylinder spreads out a layer of material, T, either inactive or having all its tannin, according to the operation which he is carrying on; then he spreads the hides and arranges them in horizontal layers, separating them from each other by the said material T, as above described. The tanning liquor is then admitted by the tube I into the apparatus, and

A.D. 1876. No. 545.

137

Improvements in Tanning, and in Apparatus connected therewith.

and when the latter is filled, pressure is given by means of the tube J, a tap, H, allowing the air to escape during the filling. A manometer, G, indicates the pressure at any period of the operation, and a weighted safety valve, P, prevents the pressure from exceeding a certain limit. At the lower part a tube terminated by a rose, V, and provided with the tap L, allows the tanning liquor to be drawn off from the vessel into a tube, M, outside the apparatus.

Having thus particularly described our said invention, and the manner in which the same is or may be performed, we have to state, in conclusion, that what we believe to be novel and original and claim as our invention is—

The mode of tanning in a closed vessel under pressure as above described, together with the various operations comprised, and also the apparatus employed to attain this result, without limitation to any special form, but reserving the right to employ closed vessels of any shape capable of applying the principles on which this invention is based.

In witness whereof, we, the said Phillippe Joseph Dussaud and Joseph Duchez, have hereunto set our hands and seals this twenty-third day of May, in the year of our Lord one thousand eight hundred and seventy-six.

Signed and sealed in the presence of me,—
Pro H. B. M. Consul, P. A. DUCROS.

PHILLIPPE JOSEPH DUSSAUD. (L.S.)
JOSEPH DUCHEZ. (L.S.)

This is the specification referred to in the annexed Letters of Registration, granted to Phillippe Joseph Dussaud and Joseph Duchez, this sixth day of September, 1876.

HERCULES ROBINSON.

REPORT.

SIR,

Sydney, 16 August, 1876.

We do ourselves the honor to return to you the documents transmitted to us under your blank cover communication of the 31st ultimo, No. 76-5386, which have reference to Mr. Phillippe Joseph Dussaud's and Joseph Duchez' application for Letters of Registration for their invention for Improvements in Tanning, and in apparatus connected therewith.

Having examined Messrs. Dussaud's and Duchez' specification and drawings, we have to report that we see no objection to the issue of Letters of Registration in accordance with their petition, drawings, specification, and claim.

We have, &c.,
GOTHER K. MANN.
CHAS. WATT.

THE PRINCIPAL UNDER SECRETARY.

[Drawings—one sheet.]

No. 546.

[Assignment of No. 242A. See page 73 of Return of 21 June, 1872.]

Fig. 1.

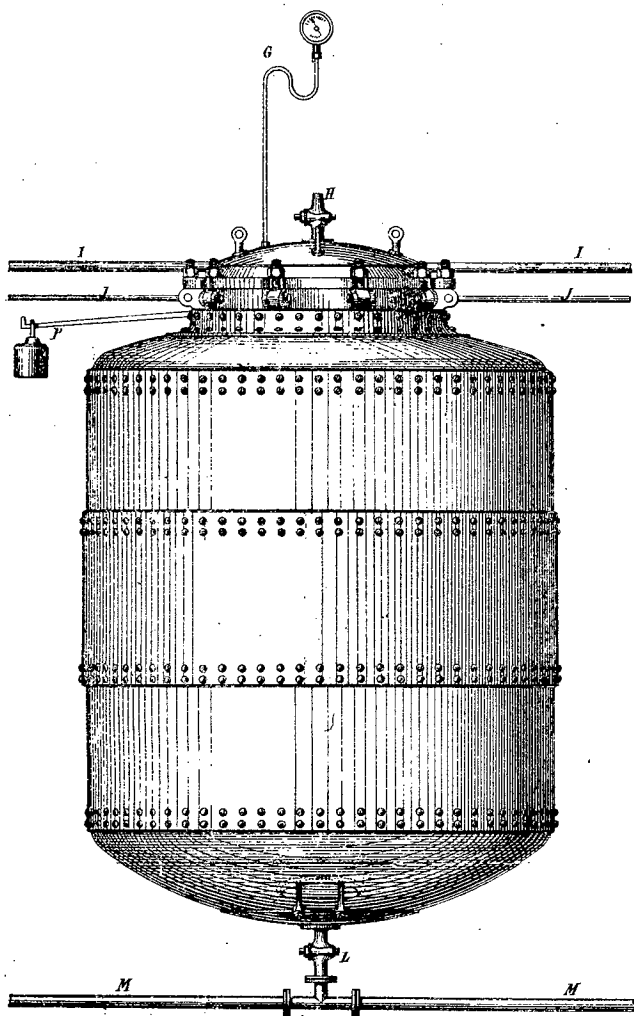


Fig. 3.

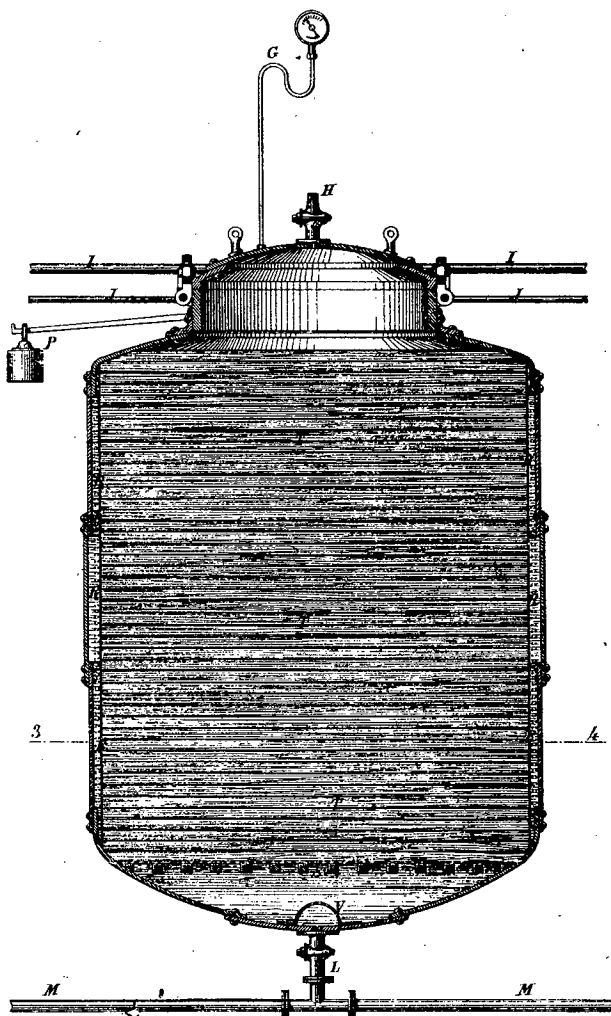


Fig. 2.

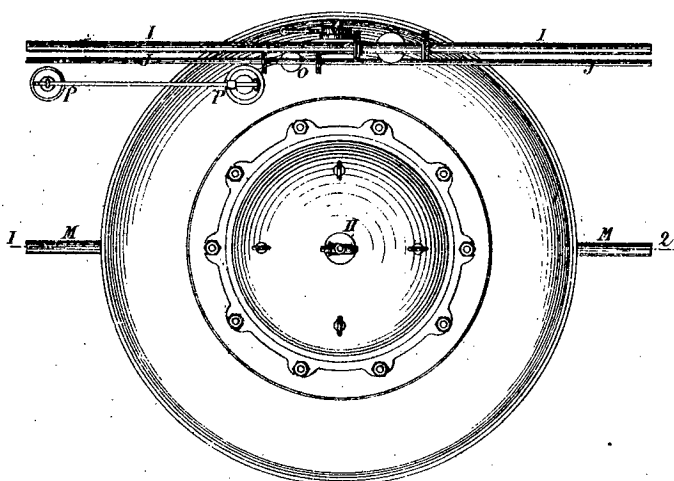
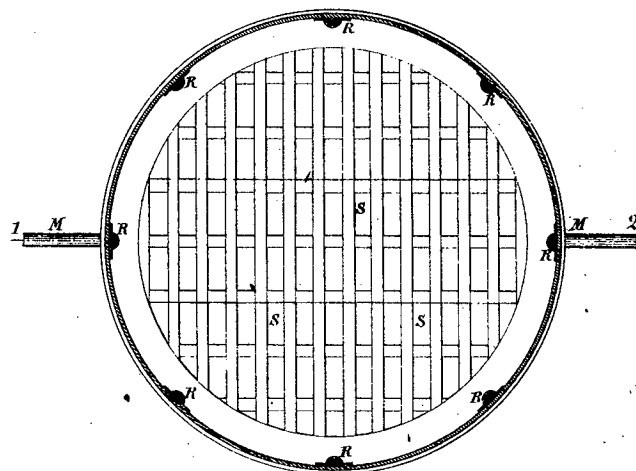


Fig. 4.



This is the Set of Drawings referred to in the annexed Letters of Appointment granted to Philippe Joseph Dussaud and Joseph Duchezys the 5th day of September 1876
Hercules Robinson

[139]



A.D. 1876, 3rd October. No. 547.

IMPROVEMENTS IN THE PREPARATION OF MANURE OR FERTILISING MATERIAL.

LETTERS OF REGISTRATION to Bernard Ackerman, for Improvements in the preparation of Manure or fertilising material.

[Registered on the 4th day of October, 1876, in pursuance of the Act 16 Vic. No. 24.]

BY HIS EXCELLENCY SIR HERCULES GEORGE ROBERT ROBINSON, Knight Grand Cross of the Most Distinguished Order of Saint Michael and Saint George, Governor and Commander-in-Chief of the Colony of New South Wales and its Dependencies, and Vice-Admiral of the same.

TO ALL TO WHOM THESE PRESENTS SHALL COME, greeting:

WHEREAS BERNARD ACKERMAN, of the City and State of New York, United States of America, hath by his Petition humbly represented to me that he is the author or designer of a certain invention or improvement in manufactures, that is to say, of an invention for "Improvements in the preparation of Manure or fertilising material," which is more particularly described in the specification which is hereunto annexed, and that he, the said Petitioner, hath deposited with the Honorable the Treasurer of the said Colony of New South Wales the sum of Twenty Pounds sterling, for defraying the expense of granting these Letters of Registration, as required by the Act of Council, sixteenth Victoria, number twenty-four; and hath humbly prayed that I would be pleased to grant Letters of Registration, whereby the exclusive enjoyment and advantage of the said invention or improvement might be secured to him for a period of fourteen years: And I, being willing to give encouragement to all inventions and improvements in the arts or manufactures which may be for the public good, and having received a report favourable to the prayer of the said Petition from competent persons appointed by me to examine and consider the matters stated therein, and to report thereon for my information, am pleased, with the advice of the Executive Council, and in exercise of the power and authority given to me by the said Act of Council, to grant, and do by these Letters of Registration grant unto the said Bernard Ackerman, his executors, administrators, and assigns, the exclusive enjoyment and advantage of the said invention or improvement, for and during the term of fourteen years from the date hereof: to have, hold, and exercise unto the said Bernard Ackerman, his executors, administrators, and assigns, the exclusive enjoyment and advantage thereof, for and during and unto the full end and term of fourteen years from the date of these presents next and immediately ensuing, and fully to be complete and ended: Provided always, that if the said Bernard Ackerman shall not, within three days after the granting of these Letters of Registration, register the same in the proper office in the Supreme Court at Sydney, in the said Colony of New South Wales, then these Letters of Registration, and all advantages whatsoever hereby granted, shall cease and become void.

In witness whereof, I have hereunto set my sign manual, and have caused the present Letters of Registration to be sealed with the seal of the said Colony of New South Wales, at Government House, Sydney, in New South Wales, this third day of October, in the year of our Lord one thousand eight hundred and seventy-six.

(L.S.)

HERCULES ROBINSON.

Improvements in the preparation of Manure or fertilising material.

SPECIFICATION of BERNARD ACKERMAN, of the City and State of New York, United States of America, for an invention entitled "Improvements in the preparation of manure or fertilising material."

THIS invention relates to the preparation of stable manure by a cheap and expeditious process in bales or packages by compression, and by securing the compressed bales with wire or other bands, as hereinafter set forth.

The importance to the community of economically utilising the immense amount of manure or fertilising matter now wasted in cities and towns has long been appreciated. Expensive processes of forming manure into bricks have been employed in countries where labour is cheap, and analogous methods have been practised in other countries, but none have come into general use, and stable manure still continues to be treated in loose masses, in which condition it is offensive to the senses and loses much of its value in transportation.

It is well known that in stables the excrementary matter is usually mixed with straw; I esteem this straw a valuable element of the manure, and make it available in aiding to hold the mass together. It serves as an absorbent of the liquid matter, and by its silicious qualities contributes to the value of the manure or fertiliser. I have discovered that after sufficiently powerful compression and tying with stout wires or other bands the bales of mingled excrementary matter and straw dry rapidly upon the outside, while the densely compacted interior maintains its original condition, with only a very slight tendency to heat, and the whole mass may be transported and handled with greatly increased convenience, and without losing its ammonia, or being more than slightly offensive.

In carrying my said invention into practice, I use a suitable press, which may be placed on or below the stable floor, and the bales are tied by bands, preferably of iron-wire, and whose ends are secured by hooks or other strong fastenings. The said press should have a box or receiver of rectangular shape, and the loose material may be pitched fresh from the stalls into this box.

The compression should be such that the finished bales occupy only about one-fourth of the ordinary bulk of the uncompressed material. I prefer that they should be of a square or nearly square shape. In some instances I place strips of wood along the edges of the bales, and pass the wire or other bands over the said strips. The said bales may be stored near the press, or at other convenient parts of the stable, and removed after longer or shorter intervals at convenience.

The same class of cheap labour may be employed as heretofore, both in the stable and in the transportation of the material.

The ordinary labourers employed in stables have sufficient skill to operate the press, and to apply and secure the bands upon the bales; and successive charges of the manure can be baled and compactly stowed away with this ordinary stable help with such rapidity as to prevent nearly all the disengagement of ammonia which is so destructive to the varnish of carriages.

The said invention obviates the necessity for the dung-pit heretofore indispensable to a stable, and for the filthy carts ordinarily employed, and the dropping and scattering of the material over the floors and side walks. The removal may, if preferred, be performed in similar carts and by the same men; but when the manure is prepared as above described, its removal may be conducted without littering the ground or causing any offensive smell in the neighbourhood through which it is carried; and its carriage or transport will be effected with a degree of economy and convenience hitherto unattainable.

The area over which the manure or fertilising matter obtained in towns and cities may be economically utilised is greatly extended by my invention, as the manure prepared according to the said invention is free from the objections attending other methods of preparing manure for such purposes.

Having thus described my said invention, and the manner of performing the same, I wish it understood that I claim—

The preparation of manure or fertilising matter by compressing and baling the mixed excrementary matter and straw in such a manner that the manure will retain the whole or nearly the whole of its valuable properties or qualities during storage or transportation substantially as above set forth.

In witness whereof, I, the said Bernard Ackerman, have hereunto set my hand and seal this eighth day of May, in the year of our Lord one thousand eight hundred and seventy-six.

BERNARD ACKERMAN. (L.S.)

This is the specification referred to in the annexed affidavit of Bernard Ackerman, this third day of October, 1876.

HERCULES ROBINSON.

REPORT.

SIR,

Sydney, 6 September, 1876.

In the matter of the application of Mr. Bernard Ackerman for Letters of Registration for "Improvements in the preparation of manure or fertilising material," which has been referred to us, we have examined the specification accompanying the same, and have the honor to report that we see no objection to the issue of Letters of Registration as prayed for.

We have, &c.,
J. SMITH.
CHAS. WATT.

THE PRINCIPAL UNDER SECRETARY.

[141]



A.D. 1876, 11th October. No. 548.

**INVENTION FOR A COMBINED SIPHON TAP AND STOPPER FOR
AERATED WATERS.**

LETTERS OF REGISTRATION to Henry James Cole, for an Invention for a
Combined Siphon Tap and Stopper for Aerated Waters.

[Registered on the 12th day of October, 1876, in pursuance of the Act 16 Vic. No. 24.]

BY HIS EXCELLENCY SIR HERCULES GEORGE ROBERT ROBINSON, Knight Grand Cross of the Most Distinguished Order of Saint Michael and Saint George, Governor and Commander-in-Chief of the Colony of New South Wales and its Dependencies, and Vice-Admiral of the same.

TO ALL TO WHOM THESE PRESENTS SHALL COME, greeting:

WHEREAS HENRY JAMES COLE, of Wandsworth Road, in the county of Surry, England, hath by his Petition humbly represented to me that he is the author or designer of a certain invention or improvement in manufactures, that is to say, of an "Invention for a combined Siphon Tap and Stopper for Aerated Waters," which is more particularly described in the specification and sheet of drawings which are hereunto annexed; and that he, the said Petitioner, hath deposited with the Honorable the Treasurer of the said Colony of New South Wales the sum of Twenty-four Pounds sterling, for defraying the expense of granting these Letters of Registration, as required by the Act of Council, sixteenth Victoria, number twenty-four; and hath humbly prayed that I would be pleased to grant Letters of Registration, whereby the exclusive enjoyment and advantage of the said invention or improvement might be secured to him for a period of fourteen years: And I, being willing to give encouragement to all inventions and improvements in the arts or manufactures which may be for the public good, and having received a report favourable to the prayer of the said Petition, from competent persons appointed by me to examine and consider the matter stated therein, and to report thereon for my information, am pleased, with the advice of the Executive Council, and in exercise of the power and authority given to me by the said Act of Council, to grant, and do by these Letters of Registration grant unto the said Henry James Cole, his executors, administrators, and assigns, the exclusive enjoyment and advantage of said invention or improvement for and during the term of fourteen years from the date hereof: to have, hold, and exercise unto the said Henry James Cole, his executors, administrators, and assigns, the exclusive enjoyment and advantage thereof, for and during and unto the full end and term of fourteen years from the date of these presents next and immediately ensuing, and fully to be complete and ended: Provided always, that if the said Henry James Cole shall not, within three days after the granting of these Letters of Registration, register the same in the proper office in the Supreme Court at Sydney, in the said Colony of New South Wales, then these Letters of Registration, and all advantages whatsoever hereby granted, shall cease and become void.

In witness whereof, I have hereunto set my sign manual, and have caused the present Letters of Registration to be sealed with the seal of the said Colony of New South Wales, at Government House, Sydney, in New South Wales, this eleventh day of October, in the year of our Lord one thousand eight hundred and seventy-six.

(L.S.)

HERCULES ROBINSON.

Invention for a combined Siphon Tap and Stopper for Aerated Waters.

SPECIFICATION of HENRY JAMES COLE, of Wandsworth Road, in the county of Surry, England, of an Invention for a combined Siphon Tap and Stopper for Aerated Liquid Waters.

NOW KNOW YE, that I, the said Henry James Cole, do hereby declare the nature of the said invention, and in what manner the same is to be performed, to be particularly described and ascertained in and by the following statement or specification and drawings thereof, that is to say:—

THIS invention relates to a combined siphon tap and stopper for aerated liquid bottles, and consists of a tube attached to another tube which passes through the bottle neck, the latter tube being surrounded by a short length of rubber tube, which can be expanded by impinging against a cone at one end, and by abutting against a cap which carries it at the other. The cap is capable of being forced down by a screw button or plate, which rests upon the cap, and the rubber tube which is expanded acts as a stopper, and hermetically closes the neck of the bottle against escape of the liquid or the gas with which the liquid is charged.

The second tube referred to is surmounted by a head, in which is a valve capable of being removed from its seating by turning a button on the outside of the head, either from above or from the side, in order that the liquid can pass out through a nozzle into any vessel placed to receive it.

Instead of the valve being in the head of the tap it may be in the bottom of the second tube, the first-mentioned tube in that case being dispensed with, as also the head.

My invention is clearly shown in the accompanying drawings.

a, figures 1, 2, and 3, is the first-mentioned tube, and *b* the one above, forming an extension thereof; *c* is the rubber tube, which when in the neck of a bottle, *d*, as in figures 2 and 4, impinges against the cone *e* and the bottle neck *f* when the cap *g* is forced down by the screw button or plate *h*, whereby the rubber tube *c* is expanded and caused to act as a stopper, and hermetically close up the neck of the bottle. I fit a rubber ring, *i*, in the button or plate *h* to prevent any escape of gas should there be any chance by an imperfection in the rubber tube; *j* is the head surmounting the tube *b*, and is fitted with a valve-seating, *k*, against or upon which the valve *l* is caused to impinge to close the passage through the tubes *a b*, which lead to the nozzle or outlet *m* when the outside button *n* is screwed home.

The tube *a* can be screwed into a metallic cork or other suitable packing, *p*, placed in the tube *b*, as in figure 1, or it may be screwed direct into the tube *b*, and the valve *l* may be flat on the face, as in figure 1, or of rounded form, as in figures 2 and 3, so long as the passage through from the bottle to the outlet be effectually closed by it.

Figure 4 represents a bottle, *d*, with the appliance in another form, the tube *a* and the head *j* being in this case dispensed with, and the valve *l* fitted to act against the bottom of the tube *b*, which valve, *l*, can by a partial rotation of the button *n* and a depression of it be removed from its seating, as shown in figures 5, 6, 7, and 8. The button *n* may in this form be a flat plate to cover the top opening of the tube *b*, or it may be simply a ring at the end of the wire *r* through which the valve *l* is operated for opening the passage. The plate or the ring *n*, when turned over the mouth of the tube *b*, prevents the valve being accidentally opened, the pressure of gas within the bottle being at all times sufficient to keep it to its seating.

In figure 5 I have shown the valve *l* as flat, with a bulb in the centre, and in figure 6 as a sphere, to insure a close touch on the seating, which may be of rubber or other soft yielding material. Figure 7 is a section of figure 8, the valve *l* in this being of half-round form, and guided within the base of the tube *b*. The wire *r* may be outside the tube *b* and through the cone, as in figure 5, or through the wall of the tube, as in figures 6 and 7, as desired, the wire by this means being kept vertical.

What I claim as my invention is—

Firstly. The combined siphon tap and stopper described, and as shown in figures 1, 2, and 3 of the accompanying drawings.

Secondly. I claim the modified form of siphon tap and stopper described, and as shown in figures 5, 6, 7, and 8 of the accompanying drawings, when used as and for the purposes set forth.

In witness whereof, I, the said Henry James Cole, have hereunto set my hand and seal this second day of June, one thousand eight hundred and seventy-six,—

HENRY JAMES COLE. (i.s.)

Witnesses,—

THOS. HOLME DAVIS, } 166, Fleet-street, London, England.
H. GARDNER, }

This is the specification referred to in the annexed Letters of Registration, granted to Henry James Cole, this eleventh day of October, 1876.

HERCULES ROBINSON.

REPORT.

SIR,

Sydney, 13 September, 1876.

We do ourselves the honor to return to you the documents transmitted to us under your blank cover communication of the 28th ultimo, No. 76/6,330, which have reference to Mr. Henry James Cole's application for Letters of Registration for his invention for "a combined Siphon Tap and Stopper for Aerated Waters"; and we have to report that we see no objection to the issue of Letters of Registration applied for in compliance with Mr. Cole's petition, specification, drawings, and claim.

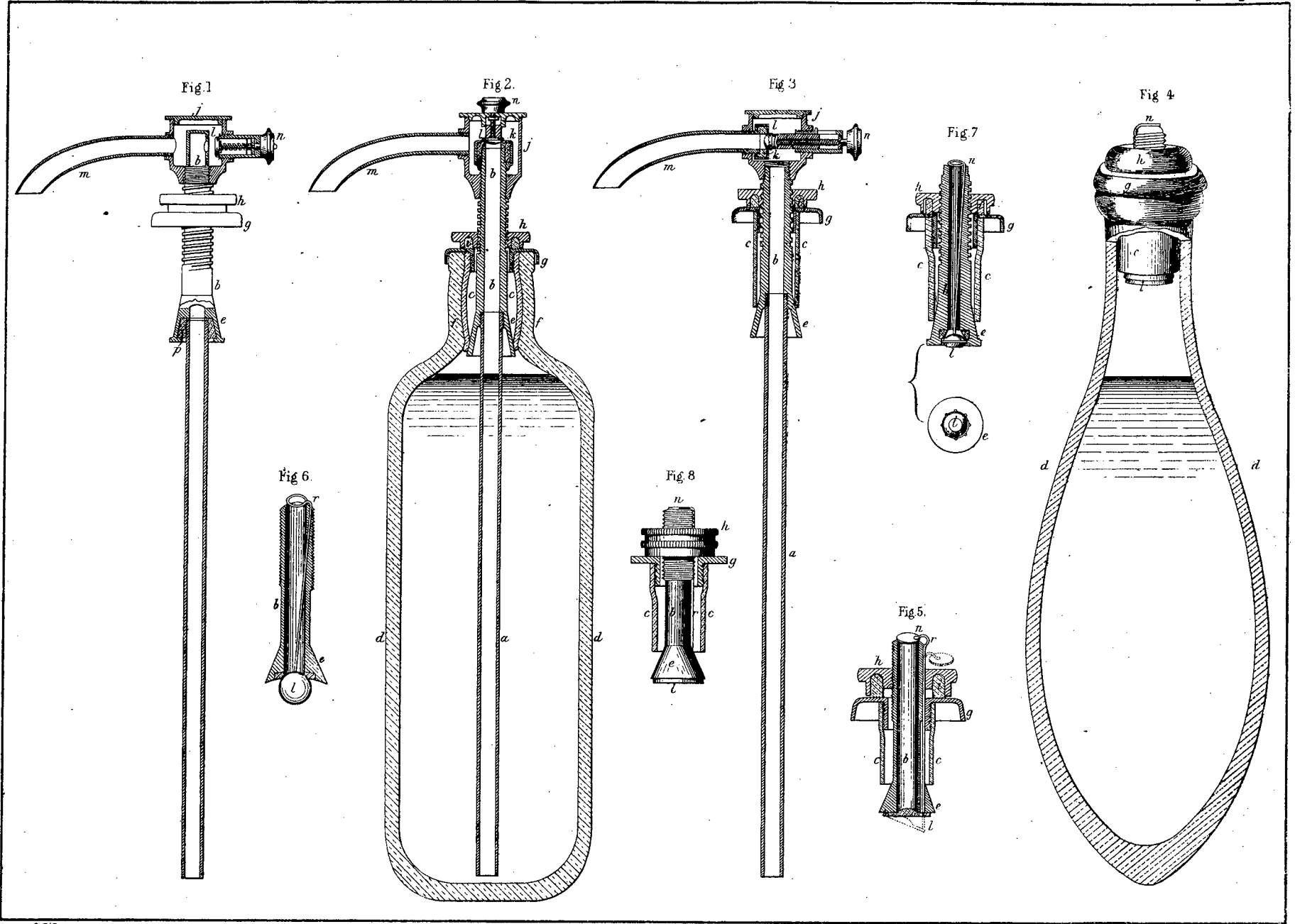
We have, &c.,

GOTHER K. MANN.
CHAS. WATT.

THE PRINCIPAL UNDER SECRETARY.

[Drawings—one sheet.]

W. G. G.



*This is the sheet of drawings referred to in the accompanying
 letters of Messrs. G. G. G. to Messrs. Swanwick & Co. dated
 10th October 1876.*

[143]



A.D. 1876, 13th October. No. 549.

HAYES'S OIL FOR LUBRICATING MACHINERY AND OTHER PURPOSES.

LETTERS OF REGISTRATION to Patrick Hayes, for an Invention for the manufacture of an oil to be called "Hayes's Oil for lubricating Machinery and other purposes."

[Registered on the 13th day of October, 1876, in pursuance of the Act 16 Vic. No. 24.]

BY HIS EXCELLENCY SIR HERCULES GEORGE ROBERT ROBINSON, Knight Grand Cross of the Most Distinguished Order of Saint Michael and Saint George, Governor and Commander-in-Chief of the Colony of New South Wales and its Dependencies, and Vice-Admiral of the same.

TO ALL TO WHOM THESE PRESENTS SHALL COME, greeting:

WHEREAS PATRICK HAYES, of the North Shore, near the City of Sydney, in the Colony of New South Wales, hath by this Petition humbly represented to me that he is the author or designer of a certain invention or improvement in manufactures, that is to say, of an invention for the manufacture of an oil to be called "Hayes's Oil for lubricating Machinery and other purposes," which is more particularly described in the specification which is hereunto annexed; and that he, the said Petitioner, hath deposited with the Honorable the Treasurer of the said Colony of New South Wales the sum of Twenty Pounds sterling, for defraying the expense of granting these Letters of Registration, as required by the Act of Council, sixteenth Victoria, number twenty-four; and hath humbly prayed that I would be pleased to grant Letters of Registration, whereby the exclusive enjoyment and advantage of the said invention or improvement might be secured to him for a period of fourteen years: And I, being willing to give encouragement to all inventions and improvements in the arts or manufactures which may be for the public good, and having received a report favourable to the prayer of the said Petition, from competent persons appointed by me to examine and consider the matters stated therein, and to report thereon for my information, am pleased, with the advice of the Executive Council, and in exercise of the power and authority given to me by the said Act of Council, to grant, and do by these Letters of Registration grant unto the said Patrick Hayes, his executors, administrators, and assigns, the exclusive enjoyment and advantage of the said invention or improvement for and during the term of fourteen years from the date hereof: to have, hold and exercise unto the said Patrick Hayes, his executors, administrators, and assigns, the exclusive enjoyment and advantage thereof, for and during and unto the full end and term of fourteen years from the date of these presents next and immediately ensuing, and fully to be complete and ended: Provided always, that if the said Patrick Hayes shall not, within three days after the granting of these Letters of Registration, register the same in the proper office in the Supreme Court at Sydney, in the said Colony of New South Wales, then these Letters of Registration, and all advantages whatsoever hereby granted, shall cease and become void.

In witness whereof, I have hereunto set my sign manual, and have caused the present Letters of Registration to be sealed with the seal of the said Colony of New South Wales, at Government House, Sydney, in New South Wales, this thirteenth day of October, in the year of our Lord one thousand eight hundred and seventy-six.

(I.S.)

HERCULES ROBINSON.

Hayes's Oil for lubricating Machinery and other purposes.

SPECIFICATION of an invention for the manufacture of oil to be called "Hayes's Oil for lubricating Machinery and for other purposes."

THIS oil is made in the following manner:—I take a quantity of oil obtained from shale, coal, or tar, and add to it ten per cent. (more or less) of a solution of caustic soda, potash, lime, or sulphuric acid. I then boil the ingredients for from two to three hours (more or less). After this I add water, and boil and wash the product, say for two hours (more or less). This done, I draw the liquid from the oil, which oil I mix with an equal part of resin (more or less). I place such oil and resin in a retort or still (heated by means of fire or superheated steam, or by both) and distil them into oil, which I term "Hayes's Oil for lubricating Machinery and for other purposes."

Having thus described the nature of my invention, and the mode of carrying the same into effect, I would have it understood that what I claim as my invention is the manufacture of oil in the manner as above substantially described.

This is the specification referred to in the annexed Letters of Registration, granted to Patrick Hayes, this thirteenth day of October, 1876.

REPORT.

SIR,

Having, in attention to your B.C. minute of the 5th instant, examined the specification accompanying the application of Patrick Hayes, praying for a grant of Letters of Registration for his invention for the manufacture of an oil to be called "Hayes's Oil for lubricating Machinery and for other purposes," we have now the honor to state that we see no objection to the prayer of the petition being complied with.

We have, &c.,

E. O. MORIARTY.
CHAS. WATT.

THE PRINCIPAL UNDER SECRETARY.

No. 550.

[Assignment of No. 533. See page 99 of this Return.]

No. 551.

[Assignment of No. 242 A. See page 73 of Return of 21 June, 1872.]

[145]



A.D. 1876, 11th November. No. 552.

IMPROVEMENTS IN LIFE PRESERVING APPARATUS.

LETTERS OF REGISTRATION to William Haspery Jeavons and William Walker,
for Improvements in Life Preserving Apparatus.

[Registered on the 13th day of November, 1876, in pursuance of the Act 16 Vic. No. 24.]

BY HIS EXCELLENCY SIR HERCULES GEORGE ROBERT ROBINSON, Knight Grand Cross of the Most Distinguished Order of Saint Michael and Saint George, Governor and Commander-in-Chief of the Colony of New South Wales and its Dependencies, and Vice-Admiral of the same.

TO ALL TO WHOM THESE PRESENTS SHALL COME, greeting :

WHEREAS WILLIAM HASPERY JEAVONS and WILLIAM WALKER, both of Botany-street, Waterloo, near Sydney, in the said Colony, have by their Petition humbly represented to me that they are the authors or designers of a certain invention or improvement in manufactures, that is to say, of an "Invention which has for its object the preservation of lives of persons swimming, and more especially for use in all cases of accident arising from any sudden immersion in the water, whether from the fearful disaster of shipwreck, or when enjoying the pleasures of boating, or in healthful recreation of bathing," which is more particularly described in the specification and drawing which are hereunto annexed; and that they, the said Petitioners, have deposited with the Honorable the Treasurer of the said Colony of New South Wales the sum of Twenty Pounds sterling, for defraying the expense of granting these Letters of Registration, as required by the Act of Council, sixteenth Victoria, number twenty-four; and have humbly prayed that I would be pleased to grant Letters of Registration, whereby the exclusive enjoyment and advantage of the said invention or improvement might be secured to them for a period of fourteen years: And I, being willing to give encouragement to all inventions and improvements in the arts or manufactures which may be for the public good, and having received a report favourable to the prayer of the said Petition, from competent persons appointed by me to examine and consider the matters stated therein, and to report thereon for my information, am pleased, with the advice of the Executive Council, and in exercise of the power and authority given to me by the said Act of Council, to grant, and do by these Letters of Registration grant unto the said William Haspery Jeavons and William Walker, their executors, administrators, and assigns, the exclusive enjoyment and advantage of the said invention or improvement, for and during the term of fourteen years from the date hereof: to have, hold, and exercise unto the said William Haspery Jeavons and William Walker, their executors, administrators, and assigns, the exclusive enjoyment and advantage thereof, for and during and unto the full end and term of fourteen years from the date of these presents next and immediately ensuing, and fully to be complete and ended: Provided always, that if the said William Haspery Jeavons and William Walker shall not, within three days after the granting of these Letters of Registration, register the same in the proper office in the Supreme Court at Sydney, in the said Colony of New South Wales, then these Letters of Registration, and all advantages whatsoever hereby granted, shall cease and become void.

In witness whereof, I have hereunto set my sign manual, and have caused the present Letters of Registration to be sealed with the seal of the said Colony of New South Wales, at Government House, Sydney, in New South Wales, this eleventh day of November, in the year of our Lord one thousand eight hundred and seventy-six.

(L.S.)

HERCULES ROBINSON.

Improvements in Life Preserving Apparatus.

SPECIFICATION of WILLIAM HASPERY JEAVONS and WILLIAM WALKER, of Sydney, in the Colony of New South Wales, gentlemen, for an invention of a certain apparatus for preserving life in case of shipwreck or any sudden immersion in the water.

1. THE invention consists of a cuff or covering open at both ends, and, when intended for use, to be worn on both arms, between the elbow and wrist. This cuff or covering is made of india-rubber, with an elastic band at each end. There is a valve made of brass affixed to the cuff, to which is joined an india-rubber tube and a spring made of steel. The valve being placed in the mouth of the wearer and the india-rubber tube drawn down by the hand, the apparatus being then blown into by the wearer immediately becomes inflated. The wind is emitted by drawing the valve and pressing the apparatus.

2. The figure of a hand and part of an arm, with the word "Empty" printed over the same, on the plans sent herewith, shows the invention uninflated; and the figure of a hand and part of an arm, with the word "Inflated" printed over the same, shows the apparatus inflated. The other figures, "A" and "B," represent the apparatus affixed to the arms, inflated and ready for immediate use.

3. The apparatus may be fixed, inflated, and ready in one minute, and is a sure preventive against drowning.

WILLIAM HASPERY JEAVONS.
WILLIAM WALKER.

This is the specification referred to in the annexed Letters of Registration, granted to William Haspery Jeavons and William Walker, this eleventh day of November, 1876.

HERCULES ROBINSON.

REPORT.

SIR,

Having, in attention to your B.C. minute of the 16th ultimo, examined the plans and specification accompanying the application of William Haspery Jeavons and William Walker, praying for a grant of Letters of Registration for their invention for improvements in a Life Preserving Apparatus, we have now the honor to state that we see no objection to the prayer of the Petition being complied with.

We have, &c.,

FRANCIS HIXSON.
E. O. MORIARTY.

THE PRINCIPAL UNDER SECRETARY.

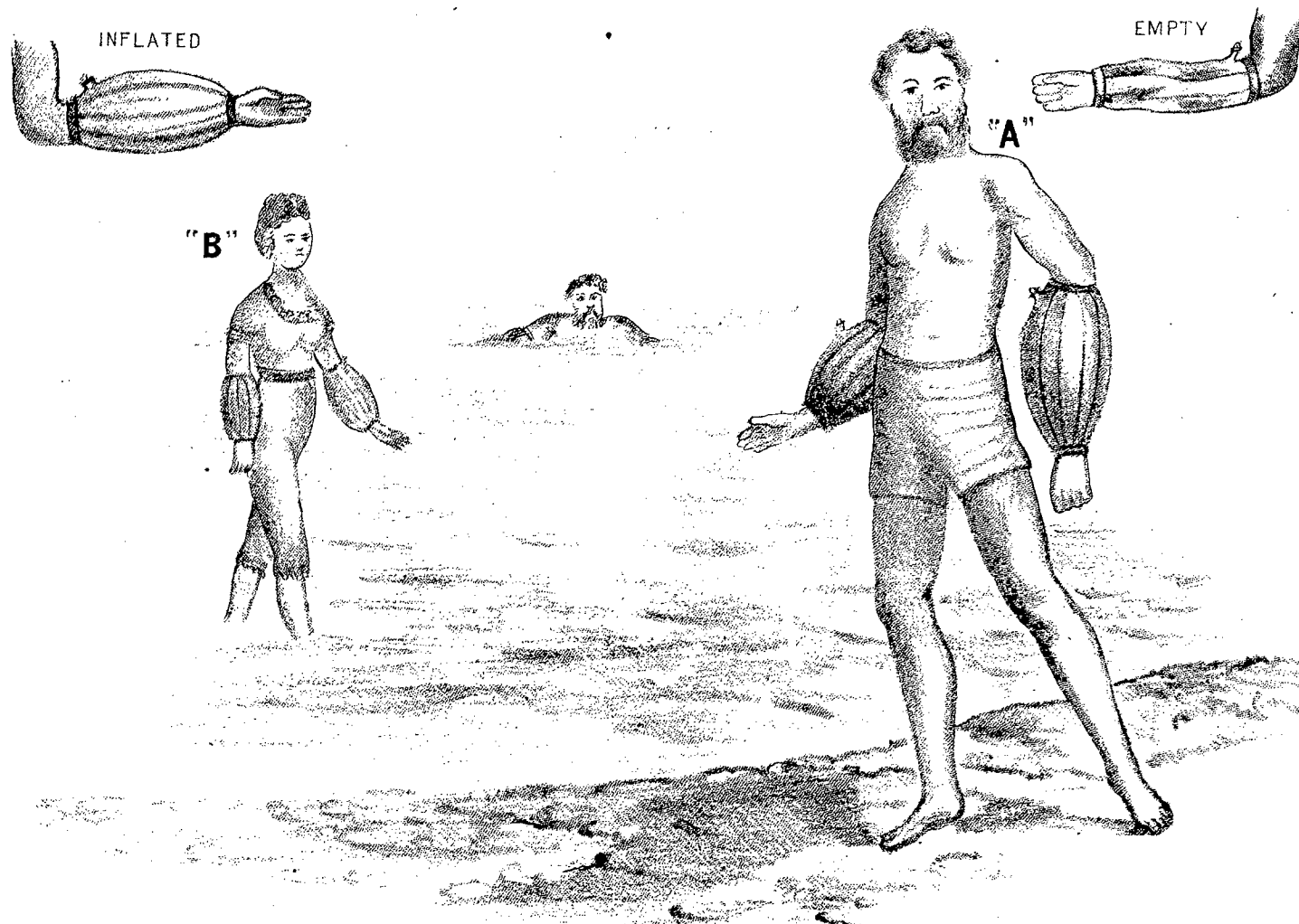
[Drawings—one sheet.]

(Copy)

[552]

JEAVONS AND WALKER

LIFE PRESERVING APPARATUS



*William Haspery Jeavons
William Walker*

This is the Drawing referred to in the annexed Letters of Registration granted to William Haspery Jeavons and William Walker, this eleventh day of November, 1876.

Hercules Robinson.

[147]



A.D. 1876, 23rd November. No. 553.

IMPROVEMENTS IN STEAM PUMPS.

LETTERS OF REGISTRATION to Charles Ernest Clarke and William Clarke,
for Improvements in Steam Pumps.

[Registered on the 24th day of November, 1876, in pursuance of the Act 16 Vic. No. 24.]

BY HIS EXCELLENCY SIR HERCULES GEORGE ROBERT ROBINSON, Knight Grand Cross of the Most Distinguished Order of St. Michael and Saint George, Governor and Commander-in-Chief of the Colony of New South Wales and its Dependencies, and Vice-Admiral of the same.

TO ALL TO WHOM THESE PRESENTS SHALL COME, greeting :

WHEREAS CHARLES ERNEST CLARKE and WILLIAM CLARKE have by their Petition humbly represented to me that they are the authors or designers of a certain invention or improvement in manufactures, that is to say, of an invention for "Improvements in Steam Pumps, to be called the Pulsometer Pump," which is more particularly described in the specification marked A and the three sheets of drawings marked B, C, and D, respectively, all of which are hereunto annexed; and that they, the said Petitioners, have deposited with the Honorable the Treasurer of the said Colony of New South Wales the sum of Twenty Pounds sterling, for defraying the expense of granting these Letters of Registration, as required by the Act of Council, sixteenth Victoria, number twenty-four; and have humbly prayed that I would be pleased to grant Letters of Registration, whereby the exclusive enjoyment and advantage of the said invention or improvement might be secured to them for a period of fourteen years: And I, being willing to give encouragement to all inventions and improvements in the arts or manufactures which may be for the public good, and having received a report favourable to the prayer of the said Petition, from competent persons appointed by me to examine and consider the matters stated therein, and to report thereon for my information, am pleased, with the advice of the Executive Council, and in exercise of the power and authority given to me by the said Act of Council, to grant, and do by these Letters of Registration grant unto the said Charles Ernest Clarke and William Clarke, their executors, administrators, and assigns, the exclusive enjoyment and advantage of the said invention or improvement, for and during the term of fourteen years from the date hereof: to have, hold, and exercise unto the said Charles Ernest Clarke and William Clarke, their executors, administrators, and assigns, the exclusive enjoyment and advantage thereof, for and during and unto the full end and term of fourteen years from the date of these presents next and immediately ensuing, and fully to be complete and ended: Provided always, that if the said Charles Ernest Clarke and William Clarke shall not, within three days after the granting of these Letters of Registration, register the same in the proper office in the Supreme Court at Sydney, in the said Colony of New South Wales, then these Letters of Registration, and all advantages whatsoever hereby granted, shall cease and become void.

In witness whereof, I have hereunto set my sign manual, and have caused the present Letters of Registration to be sealed with the seal of the said Colony of New South Wales, this twenty-third day of November, in the year of our Lord one thousand eight hundred and seventy-six.

(L.S.)

HERCULES ROBINSON.

The Pulsometer Pump.

A.

TO ALL TO WHOM THESE PRESENTS SHALL COME, We, CHARLES ERNEST CLARKE, of the city of Melbourne, in the Colony of Victoria, and WILLIAM CLARKE, late of Victoria, but now of parts beyond the seas, brokers and agents, send greeting :

WHEREAS we are desirous of obtaining Royal Letters Patent for securing unto us Her Majesty's Special License that we, our executors, administrators, and assigns, and such others as we or they should at any time agree with, and no others, should and lawfully might from time to time, and at all times during the term of fourteen years (to be computed from the day on which this instrument shall be left at the office of the Registrar General) make, use, exercise, and vend within the Colony of New South Wales and its Dependencies an invention known as "Clarke's Improvements in Steam Pumps, to be called the Pulsometer Pump"; and in order to obtain the said Letters Patent we must, by an instrument in writing under our hands and seals, particularly describe and ascertain the nature of the said invention, and in what manner the same is to be performed, and must also enter into the covenant hereinafter contained: Now know ye, that the nature of the said invention, and the manner in which the same is to be performed, is particularly described and ascertained in and by the following statement, that is to say:—

Our invention relates to that class of steam pumps in which the steam is caused to act by direct pressure upon the water, and is directed alternately upon two chambers having a common steam and delivery pipe controlled by tilting valves, in such manner as to direct the steam alternately upon each chamber, one being filled with water while the other is being emptied. It is well known that in pumps of this class their successful operation depends largely upon the rapid condensation of steam in each chamber after the water is expelled to produce a vacuum sufficient to close the steam valve, cause the water to rush in, and direct the steam upon the opposite chamber; when the chamber becomes heated, however, condensation becomes more difficult in proportion to the degree of heat. Hence, in the operation of pumps of this class, much difficulty is experienced, and hot water cannot be pumped.

Our invention has for its object to produce a pump free from such objections which shall be rapid and effectual in its operation, simple in construction, and require comparatively little steam. To this end the invention consists—

First—In connecting an air chamber or reservoir (or chambers or reservoirs) to the suction and discharge pipes of the pump.

Second—In the construction of the suction valves.

Third—In the sectional construction of the pump-casing, the same being adapted to be readily taken apart.

Fourth—In the construction and arrangement of the valves and their seats, and the parts in connection therewith, in such a manner as to admit of the valves and valve seats being removed and replaced by others of a different construction, to suit the nature of the liquid to be elevated, and for any other required purposes.

Fifth—The invention also embraces other improvements in the before-mentioned apparatus designed to increase its efficiency (as hereinafter described). It may also be applied to other apparatus of a similar character in which steam exerts its pressure upon the water or other liquid directly or without the intervention of a piston, diaphragm, or other moving part; and parts of the invention are also applicable to valves to be employed for other purposes independently of pumps of this description.

Sixth—In the general construction and arrangement of the parts, as we will now proceed to describe more in detail by aid of the accompanying drawings.

DESCRIPTION OF THE DRAWINGS.

The drawings on sheet No. 1 are intended to show the construction of the pump, and the working of the same.

The drawings on sheets Nos. 2 and 3 are intended to show various modifications in various parts of the pump, to be used as circumstances may require.

Figure 1 of sheet 1 is a vertical section of our improved pump; figure 2 is a section through line *xx* of figure 1.

Similar letters of reference are employed to indicate corresponding parts wherever they occur in sheet 1.

The upper portion of the pump-casing is composed of the tapering chambers AA¹, made in one casting, separated by a partition, A², and coming together at the top, where they open into a recess, B, in which a revolving ball, C, works and closes the entrance to the chambers A and A¹ alternately.

The lower portion of the casing is composed of a base, A³, containing the suction valves and discharge valves, presently to be described. At the bottom of the chamber BB¹ in the case A³ are the suction valves EE¹, resting on inclined seats F, in which are the ports G-G communicating with the suction pipe H. The suction valves E and E¹ and the delivery valves S and S¹ are held in place by casings I, and are provided with lugs, J, on their outer sides, which strike against said casings, and prevent the valve from opening too far, as shown in figure 1.

The valves EE¹ and SS¹ are provided with rounded lower edges, or journals, trunnions, or pivots, which serve as the fulcrum on which said valves open or close, which rest in correspondingly shaped seats, K, or in movable seats, as hereinafter described and shown in the second sheet of the drawings. The seats K are not fixed, but merely rest in corresponding recesses in the case of the pump, and may be readily removed for repairs, or fresh one substituted.

In the casing L is a reservoir or air chamber connecting with the suction and discharge pipes, as shown in figure 2, sheet 1; but this chamber may be also divided (as shown by figure 16 of sheet 3 of the drawings) by a vertical partition, S, into two compartments, O¹ and O² (figure 16), one of which, namely, that,

The Pulsometer Pump.

that, O^1 , is in communication with the suction pipe P, whilst the other, O^2 , is in communication with the delivery pipe T of the pump. A reservoir of water under the pressure of compressed air is thus constantly maintained in connection with the delivery pipe T, whereby the continuing of the discharge proceeding from the two pump chambers in succession is constantly insured. N is a screw-plug in the top of the reservoir L; O is a valve for regulating the admission of air into the chamber L; P represents the discharge passage connected with ports RR^1 with the chambers AA^1 , said ports opening into the seats of the rocking valves S, and being closed in turn by the latter.

The operation is as follows: To start the pump it is necessary to remove the screw-plug N from the reservoir L, and fill the latter, together with the chambers AA^1 , with water, the valves EE^1 permitting its free ingress, and a suitable check valve in the suction pipe preventing it from escaping. The chambers AA^1 being thus filled, and the valve C being tilted, so as to cover the opening into the chamber A^1 , steam is admitted into the chamber A, as shown by the arrow, and pressing powerfully on the water contained therein, instantly expels it through port R into the discharge pipe P, the valve S closing the port R^1 . The expulsion of the water from the chamber A is so sudden that a momentary vacuum is produced in the chamber A, which causes the revolving ball C to tilt in the opposite direction, and direct the steam into the chamber A^1 , while water rushes in from the suction pipe, raises the valve E, and refills the chamber A. Meanwhile the contents of the chamber A^1 are discharged in like manner through the port R^1 , the valve S being tilted so as to cover the port R by the pressure of the water at the moment that steam is admitted above. Hence the operation of the revolving ball C and valve S is simultaneous. While the water is being discharged from the chamber A^1 , the chamber A, previously emptied, is filled from the suction pipe H, as above-mentioned, and the moment the chamber A^1 is exhausted another momentary vacuum is produced, and the valve C again is shifted, and steam redirected into the chamber A. The action of the pump is therefore constant, and cannot be effected by the temperature of the chambers, as the condensation of steam is not relied on to produce a vacuum, the rapid discharge from the chamber producing the desired result. The air chamber L connecting with the mouth of the suction and discharge pipes enables the pump to discharge a steady stream, and the air-cocks or valves 5 relieve the action of the suction valves, and prevent them from knocking too hard against their casings.

The sectional construction of the pump-casing enables it to be readily taken apart for repairs; and it will be readily seen that as the suction and discharge valves are all contained in the case A^3 , they can be inspected and repaired by simply removing that portion of the casing. It has been found by practical operation of this pump that it will throw 3 feet for every pound of steam pressure; and its operation is so rapid that one hundred and twenty (120) strokes per minute have been reached. We can operate with either hot or cold water, thereby conclusively proving that no condensation of steam is necessary in the operation of our pump—indeed, condensation is impossible in pumping hot water; we can therefore use it successfully for feeding boilers and other purposes when hot water is desired. The construction is so extremely simple that particles of sand, gravel, and other obstructions can pass readily through it without injuring the working parts; this we have also found by experience. The seats of the valves EE^1 and SS^1 are chilled in casting to prevent them from being cut and worn by gravel and other foreign matters passing through.

To improve the working of the valves E and E^1 , and S and S^1 , and increase their durability, either the valves or the inclined seats F on which they rest, or both, are provided with a lining or surface of wood, or other soft material (shown on the plans by shaded lines), so that the contact of metal with metal is prevented. For attaching this wood or other lining or packing to the valve or seat, a recess is formed therein slightly dovetailed, in which the wood or other soft material is tightly fitted, and secured in such manner as to project above the surface of the metal of the valve or seat. This packing or lining will last for a long time, and when worn may be readily removed and replaced by a new piece.

The lugs J, or the large bearings I on which they rest, or both, may also be lined in the same manner, so as to prevent wear and noise in working. The small projections or bearings I project over the journals or pivots of the suction and discharge valves, and keep the same properly in place, and also prevent any displacement of the seats of the said trunnions, and by removing the covers D free access can be had to the valves and parts connected therewith.

The delivery valves S and S^1 are placed back to back, so that when one is closed the lug forms a stop or seat against which the other valve strikes on opening, as shown in the drawings. The upper part of the chambers A and A^1 containing the revolving ball C is made detachable, so that it can be readily removed and replaced without injury or disturbing the body of the pump.

By the foregoing description it will be seen that no part of the body of the pump is subject to wear, and that if any of the valves, or their bearings, or parts connected therewith, should be worn or injured they may be readily and conveniently removed and replaced.

Another part of the present invention consists in constructing and arranging the bearing pieces and the valve seats in such a manner as to render not only the bearing pieces but also the whole of the seat capable of removal, whereby facility is afforded for the substitution for a valve of one construction for a valve of a different construction in the same apparatus, as and when required. Figure 1, sheet 2 of the accompanying drawings, represents a vertical section (taken through the suction valves) of a pump with this part of the invention applied thereto; and figure 2 of sheet 2 represents a vertical section of that portion of the pump which contains the delivery valves, illustrating more clearly their arrangement. In the latter figure the valves are both represented in their closed position. According to this part of the invention, detachable shoes, A, B, are employed, which are fitted in dovetailed or other grooves formed in the body C of the pump, or attached in any other suitable manner. These shoes may be either constructed of metal, wood, india-rubber, or other suitable material, and form the valve seat itself; or they may be constructed of metal, and be fitted with a movable lining of wood, india-rubber, or similar packing, inserted in dovetailed grooves formed therein; and the valve itself may be provided or not with a detachable lining of leather, india-rubber, wood, or like material, inserted in a similar manner.

In

The Pulsometer Pump.

In figures 1 and 2, sheet 2 of the drawings, several modifications in the arrangement of the valves and their seats are illustrated. D are the suction valves; and E are the delivery valves; and *a* the trunnions of the valves. The shoe A on the left-hand side of figure 1 is shown provided with a renewable lining or packing, *b*, which may consist of wood, india-rubber, or other suitable material, and forms the seat proper for the valve D, and is held in its place by a metal ring, *l*. The shoe A on the right-hand side of figure 1 is shown solid; and the valve D is fitted with a lining or packing, *c*, of wood, india-rubber, leather, or other suitable material, held in its place by a metal plate 2, or other suitable means. On the left-hand side of figure 2 the shoe B and the valve E are both shown provided with linings or packings, *b*, *c*, respectively, whilst on the right-hand side of that figure the shoe B and the valve E are represented in direct contact without any intervening lining or packing. It is preferred to form the detachable bearing pieces which form the trough for the trunnions *a* in one with their respective shoes as shown, but they may be made separately removable if desired.

In the case of the delivery valves, when two are employed arranged back to back as described, the two shoes B B for the valves may be made in one piece, as shown in figure 2, sheet 2, so as to admit of their being slid into their place, and removed together bodily; but the shoes may be constructed separately, the one from the other, if desired. The shoes are maintained in their place either by wooden or other wedges, *d*, as shown, or by bolts, or other suitable means; and the whole of the parts are enclosed by covers, F, detachable at will, and which are provided with projecting lips, *e*, overlapping the trunnion *a*, in order to retain the valves in their place, and also with projecting horns or guards, *f*, for limiting the range of motion of the valve. The valves may be further secured by hinge-pins, if desired.

Another part of the invention relates to improvements in the arrangement of ball-valves and their seats, when valves of that description are employed as suction or delivery valves.

Figures 3 and 4 (sheet 2) represent vertical sections of portions of the pump—the former showing a suction valve, D, and the latter a delivery valve, E, with their seats arranged according to this part of the invention; and figure 5 represents an elevation of the valve and seat detached, corresponding to figure 3.

The valve seats consist of detachable shoes A¹, B¹, composed either of metal or wood, or (as shown and adopted by preference) of metal fitted with renewable linings or packings, *b*, of wood, india-rubber, or other like material. The shoes A¹ are each provided with a projecting horn or guard, *f*¹, by preference of a concave form, on its under side, and which forms a stop by limiting the range of motion of the valve.

The projecting horns or guards *f*¹ with which the detachable shoes A¹ are provided may be formed with slots or perforations, *g*, as shown in figures 3 and 5, in order to admit of the water which is left remaining above the valve issuing in the form of jets as soon as a partial vacuum is produced, and thereby suddenly increasing the vacuum by the further condensation of the steam previously to its complete condensation by the influx of the body of liquid which is admitted through the valve.

Another modification of the invention is illustrated by the detail section and plan, figures 6 and 7 respectively (sheet 2). It consists in the employment for suction and delivery valves of discs, D, of india-rubber, or similar flexible material, each of which is attached by a bolt, *h*, at or near the centre, either, as shown in the drawings, to a horn or carrier, *f*¹, above projecting from a detachable shoe, A¹, or to cross-bars formed on such shoe, or otherwise, so as to admit of their being readily removed with the shoes when required.

The shoes may be composed of metal or other rigid material, as before-mentioned, and may be fitted with renewable linings or packings of wood, india-rubber, or other like material. The india-rubber discs may also be removed from the shoes and replaced by new ones when worn out, without the necessity for renewing the shoes themselves. These rubber discs open out from their seats at their periphery, as shown by the dotted lines in figure 6, under the action of the suction and the pressure of the liquid, and close again on to their seats by the force of their own elasticity, assisted by the back pressure.

Another modification of the invention is illustrated in figures 8, 9, and 10 (sheet 3), of which figures figure 8 represents a vertical section of a portion of the pump, the section being taken through a suction valve; figure 9 represents a plan of the valve detached; and figure 10 represents a vertical section of a portion of the pump, the section being taken through the delivery valves. This modification illustrates the application of the description of valves known as the "Perreaux Valve," consisting of a hollow disc or ring, D or E, of india-rubber, or similar flexible material, carrying a tube, *i*, which in its normal condition is closed at its outer extremity, assuming a triple, flattened, or wedge shape, as shown by the full lines in figure 9, but is caused to expand, and form an open mouth for the passage of the water, as shown by the dotted lines in that figure, and then again to close by the force of its own elasticity, in which condition it is maintained by the back pressure of the liquid. These valves are fitted in detachable shoes, A, B, similar to those hereinbefore described as applied to other descriptions of valves.

The arrangement of detachable shoes may also be applied to any other description of valve employed with the pump to which such arrangement may be adapted.

Valves having detachable shoes constructed and arranged in accordance with either of the before-mentioned modifications may be employed as foot-valves when a foot-valve is required to be used with the improved pump, or in any other description of pump or apparatus requiring the employment of a foot-valve.

Figure 11 (sheet 3) illustrates in vertical section one mode of applying the invention to foot-valves. In this example the valve consists of a disc or plate, G, working on a trunnion, *k*. B² is the detachable shoe, fitted with a renewable lining or packing, *b*¹. The valve may be throttled, or in its lift be regulated as required, by means of an adjusting screw, *l*, working through the detachable cover F, and provided with a horn, *f*, wheel, *m*, for manipulating it from the exterior. The horn *f* on the cover F is made tubular, for the reception of a sliding cylinder or block, *n*, formed on or attached to the screw *l*, and by the protrusion or recession of which to a greater or less degree the range of motion of the valve, and consequently the effective area for the passage of the liquid, may be varied as required.

The Pulsometer Pump.

A similar arrangement suitably modified may also be employed for throttling the passage when valves of a construction different from that lastly hereinbefore described are used as foot-valves; and the arrangements for throttling the passage may be further applied to the suction and delivery valves, if found desirable.

The detachable shoes may also be employed in the construction of back pressure valves, and valves to be used for other like purposes.

The invention further relates to a modification of foot-valve adapted more particularly for use on board ships in connection with the pumps or apparatus for drawing off the bilge-water.

In apparatus of this description, as ordinarily constructed and arranged, two valves are employed, which work in connection with pipes situate one at each side of the keelson. When the vessel inclines either to one side or the other, and the opposite valve becomes uncovered, air is drawn in through such valve at each stroke of the pump to the detriment of the working parts, which are thereby exposed to unnecessary wear and tear, and diminishing the duty of the pump.

Now, according to this part of the present invention, this defect is obviated in the following manner, reference being had to figures 12 and 13 (sheet 3), which represent respectively a vertical section taken through one of the valves, and a sectional plan of the same: To the lower end of the spindle H of each of the valves, of which the valve I is an example, there is fitted a boss, *o*, carrying radial arms, *p*, which support an annular trough, K, surrounding the valve-box L. This trough is arranged at such an elevation that when the valve-box L is immersed to a sufficient depth in the water, the trough itself shall be submerged, and the valve being then relieved of a certain amount of weight will open under the action of the suction. When however the vessel rolls on one side, the trough of the valve at the opposite side will become uncovered, whilst at the same time remaining filled with water, the weight of which, by acting upon the valve spindle, closes the valve, and maintains it closed until the trough is again relieved of its weight by its submersion by the vessel rolling to the opposite side or otherwise. The valve-seats are formed by preference in detachable shoes B², as shown.

Another part of the invention, which is illustrated by figure 13^a (sheet 3), relates to the steam-valve M, of a V or wedge shape, rocking or working on a pivot or axis, 9; and it consists in providing such valve with a detachable or renewable seat, consisting of a cone, N; slotted for its reception, and fitted in a recess of a corresponding form in the upper part of the pump-body C. The seat is furnished with a pendent projecting screw-bolt, *r*, for the reception of a nut, *s*, by means of which the seat is maintained in its place; or it may be secured in any other convenient manner, so as to admit of its being readily removed and replaced by a new one when worn. This arrangement of detachable or renewable shoe suitably modified may also be applied to ball-valves when used as steam-valves in the pump, or to any other description of steam-valves employed in the said pump to which such arrangement may be adapted.

Another part of this invention has reference to a peculiar construction and arrangement of valves for the admission of air to the pump.

According to one modification of this part of the invention, which is illustrated by figure 14, sheet 3, the air-valve consists of a ball, *t*, which is caused to rise from its seat for the admission of air from the orifice *t'*, to be supplied to the chamber, as before-mentioned, through the conduit *t*₂. The ball is embraced or enclosed on its upper hemispherical surface by forked arms, or a hemispherical cover, *u*, having a screw-spindle, *v*, which passes through a hole tapped with a screw-thread in the top of the air-valve box R, and carries a button or thumb-screw, *w*, for facilitating the turning of the screw, in order to adjust the height of the forks or cover *u*, and those regulate the lift of the valve as required.

According to another modification of this part of the invention, which is illustrated by figure 15, sheet 3, the air-valve consists of a conical or button valve, *t*, carrying at its upper end on an apex or knife-edge a lever-arm, *x*, which is mounted on a fulcrum at its end, *y*, in the valve-casing R, and is provided at its opposite end with a float, *z*, entering the chamber of the pump. The valve is fitted at its lower end with a spindle, *v*, passing through the bottom of the valve-box R, and formed at its extremity with a screw-thread for the reception of a thumb-nut *w*. This nut by coming into contact with the bottom of the valve-box R forms a stop for limiting the lift of the valve, the range of motion of which is capable of adjustment by varying the position of the nut upon its spindle. The valve in its normal condition is maintained closed by the weight of the float *z*; but when the water attains a sufficient height to raise the float, the valve is opened, and air is admitted as before-mentioned.

The invention lastly consists in enclosing the pump in an outer vessel or casing, so as to admit of the entire apparatus being immersed in the liquid to be pumped, whereby the necessity for obtaining a vacuum is obviated, the water rising alternately or successively as the steam-valve is moved in the several chambers of the pump under the action of gravitation; and facility is afforded for pumping liquids of an elevated temperature whilst the apparatus may be caused to float in the liquid to be elevated, thus dispensing, if desired, with the means of suspension usually adopted.

The pump may be attached to the vessel or casing in various ways, but the method shown in the vertical section figure 17, sheet 3, is a convenient arrangement. C represents the pump; U is the vessel or casing, the bottom of which is bolted to a flange 3, formed on the suction pipe P of the pump, and it may also have bolted to it an inlet tube or nozzle, V, for conducting the liquid to the suction pipe P.

Hand-holes fitted with suitable covers are formed in the vessel or casing for affording access to the valves.

Having thus described our invention, and the means by which the same may be carried into effect, we would have it understood that we do not confine ourselves to the exact details shown and described, as the same may be varied without departing from the peculiar character of our invention; but what we do claim is—

First—The chambers A, A' (sheet 1 of the drawings), in combination with the suction valves E, E', and discharge valves S and S' and revolving ball C, all arranged and operating substantially as described.

Second—

The Pulsometer Pump.

- Second—The combination of the air chamber L (sheet 1) divided as hereinbefore described, having the screw-plug N and spring-valve O with the suction space M of the pump substantially as described.
- Third—The suction and delivery valves and their seats constructed and provided with wood or other lining in the peculiar manner shown, and so arranged that the said valves operate to admit and discharge the water as herein set forth.
- Fourth—The loose or detachable bearing pieces for the valve journals or trunnions, and also the detachable shoes fitted in the body of the pump in such manner as to admit of the valves and seats being removed and exchanged for others of either the same or a different construction, as herein set forth, and for the purposes specified.
- Fifth—In combination with the said valves and detachable bearings or bearing pieces the curved or other pieces for keeping the said valves and bearings in place as herein set forth.
- Sixth—The detachable part at the top or apex of the pump containing the ball-valve, and with the valve-seat formed therein, so that the said valve governs the admission of steam to both chambers of the pump as herein set forth, and for the purposes specified.
- Seventh—The pump or apparatus with the chambers, the hinged suction and delivery valves and their seats, and detachable bearings and devices connected therewith, the ball-valve fitted to its seat in the detachable part or apex of the pump, and the other portions of the said pump or apparatus constructed and combined as shown in the drawings and as herein set forth, for the purposes specified.
- Eighth—The sectional casing of the pump, substantially as and for the purposes specified.
- Ninth—Providing the steam-valves when made of a V or wedge shape, or otherwise, with renewable or detachable seats or shoes, constructed, arranged, fitted, and secured substantially as hereinbefore described.
- Tenth—The employment as an air-valve of a ball arranged in such a manner that it is caused to rise from its seat into contact with a stop or cover for the admission of air, but that the position of such stop or cover, and consequently the lift of the valve, shall be capable of adjustment from the exterior by the aid of a regulating screw, substantially as hereinbefore described and illustrated by the accompanying drawings.
- Eleventh—The employment as an air-valve of a conical or button valve carrying a float mounted on a fixed centre or fulcrum, and arranged in such a manner that the valve is nominally maintained closed by the weight of the float, but that it shall be opened for the admission of air by the rise of the water in the pump chamber, the lift of the valve being controlled by an adjustable stop-nut, substantially as hereinbefore described and illustrated by the accompanying drawings.
- Twelfth—Dividing the central chamber by means of a vertical partition into two compartments, one of which is in communication with the suction pipe whilst the other is in communication with the delivery pipe, substantially as and for the purpose hereinbefore described.
- Thirteenth—Enclosing the pump or apparatus in an outer casing immersed in the liquid to be pumped, for the purpose of wholly or partially dispensing with the necessity for obtaining a vacuum, and of utilising the action of gravitation for promoting the rise of the liquid being pumped in the chambers of the apparatus, substantially as hereinbefore described.

We also claim generally—

First—The application and use in the construction of valves and valve-seats of detachable shoes, formed and fitted in such a manner as to admit of the valves and seats being removed and exchanged for others of either the same or different construction, as and when required, substantially as hereinbefore described.

Secondly—The combination with the foot-valves, for the purposes herein set forth, of troughs, arranged in such a manner that the valve shall be opened during the submersion of the trough, and closed on its emersion, substantially as hereinbefore described.

And we do hereby, for ourselves, our heirs, executors, and administrators, covenant with Her Majesty, her heirs and successors, that we believe the said invention to be a new invention as to the public use and exercise thereof; and that we do not know or believe that any other person than ourselves is the true and first inventor of the said invention; and that we will not deposit these presents at the office of the Registrar General with any such knowledge or believe as last aforesaid.

In witness whereof the said parties hereto have hereunto set their hands and seals, this seventh day of September, one thousand eight hundred and seventy-six.

Signed, sealed, and delivered by the said Charles)
Ernest Clarke and William Clarke, by his) CHAS. E. CLARKE. (L.S.)
attorney, Alfred Edward Clarke, in the)
presence of—) WILLIAM CLARKE, (L.S.)
by his attorney, ALFRED E. CLARKE.

ALFRED FORD, Notary Public, Melbourne.

This is the specification, marked A, referred to in the annexed Letters of Registration, granted to Charles Ernest Clarke and William Clarke, this twenty-third day of November, 1876.

HERCULES ROBINSON.

REPORT.

The Pulsometer Pump.

REPORT.

SIR, Sydney, 19 October, 1876.
In the matter of the application of Messrs. Charles Ernest Clarke and William Clarke, for Letters of Registration for "Improvements in Steam Pumps, to be called the Pulsometer Pump," we have the honor to report that we have examined the specification and drawings accompanying the same, and see no objection to the issue of Letters of Registration as prayed for.

We have, &c.,
J. SMITH.
JOHN WHITTON.

THE PRINCIPAL UNDER SECRETARY.

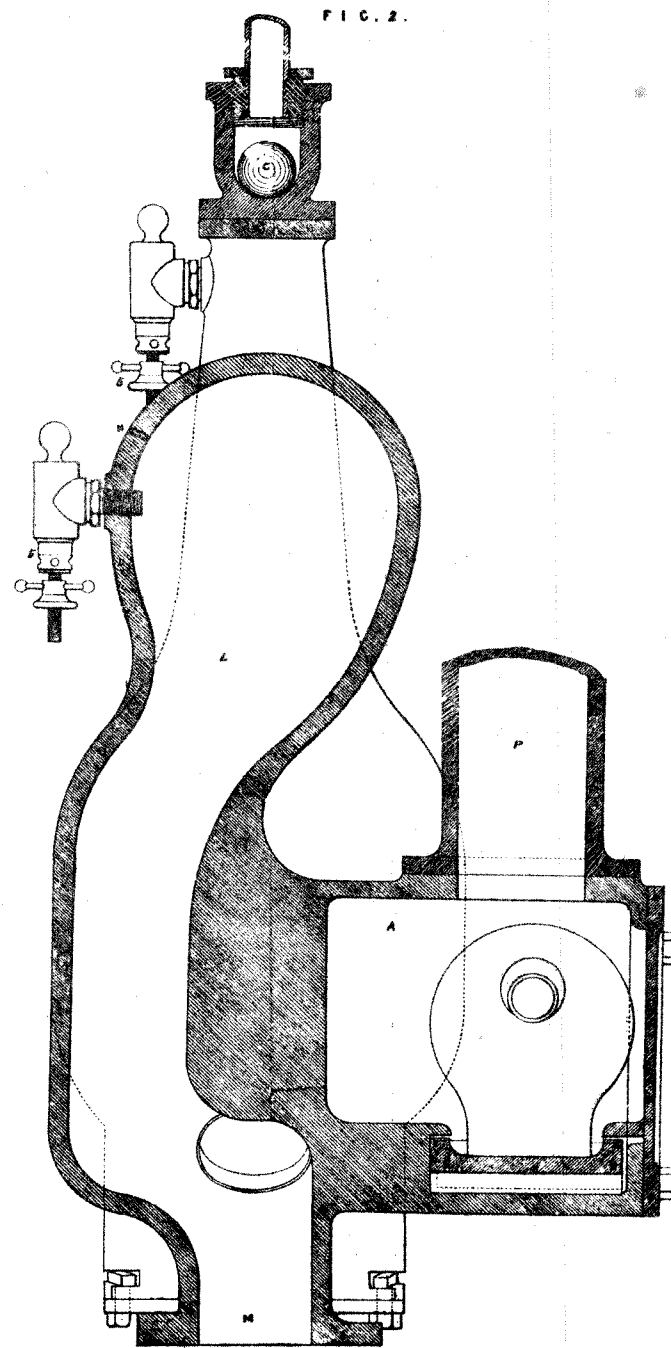
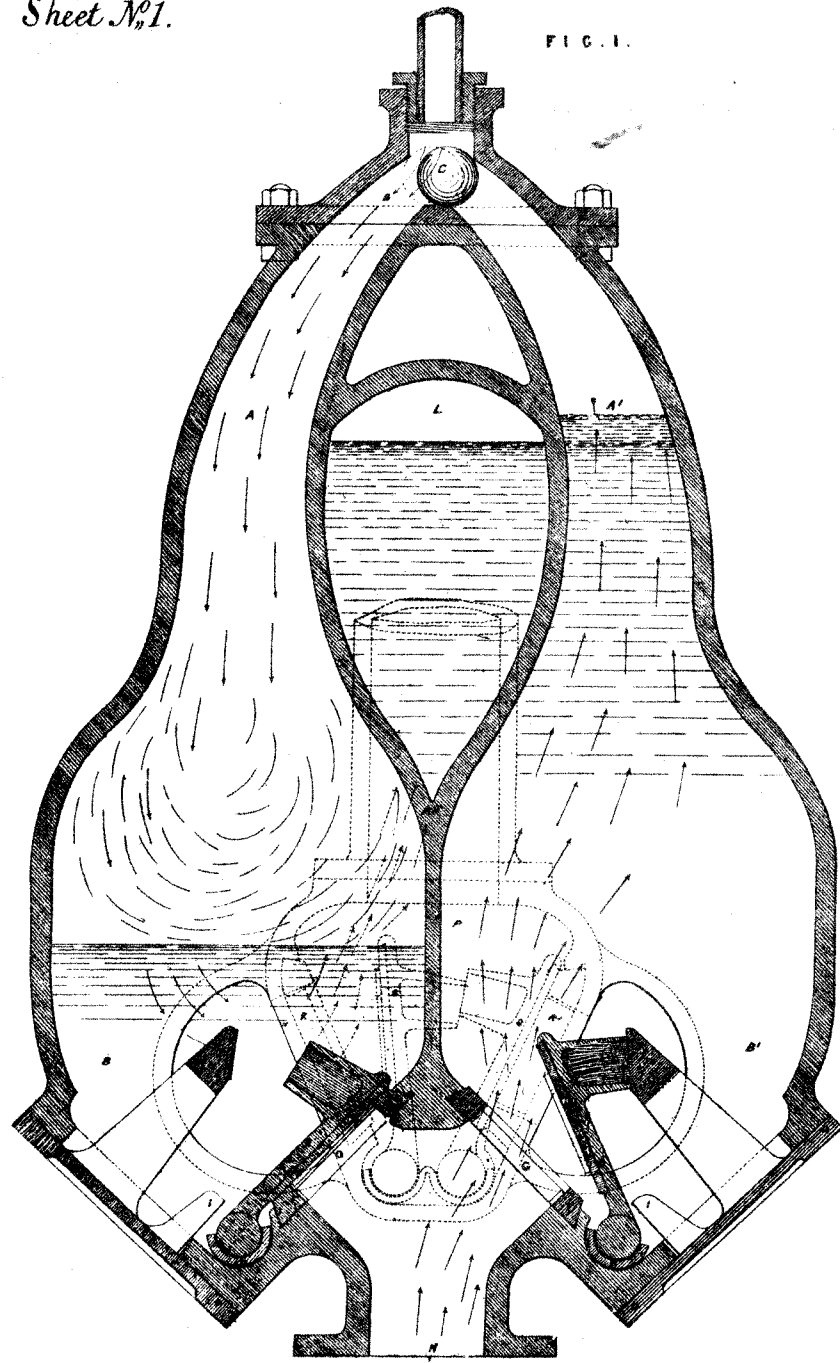
[Drawings—three sheets.]

B

CLARKE'S IMPROVEMENTS IN STEAM PUMPS
CALLED THE
PULSOMETER PUMP

[553]

Sheet No. 1.



This is the Sheet of Drawings marked B. referred to in the annexed Letters of Registration granted to Charles Ernest Clarke and William Clarke this twentieth third day of November 1876

225-

Hercules Robinson

*Witness to the signature of Charles Ernest
Clarke and William Clarke & his Attorney
Fred Edward Clarke
Fred Hors
Mary Publick
Mellorome*

*Charles Ernest
William Clarke
by his Attorney
Fred Edward Clarke*

[155]



A.D. 1876, 23rd November. No. 554.

INVENTION FOR BORING POST-HOLES.

LETTERS OF REGISTRATION to George Wilkins, for an Invention for Boring Post-holes.

[Registered on the 24th day of November, 1876, in pursuance of the Act 16 Vic. No. 24.]

BY HIS EXCELLENCY SIR HERCULES GEORGE ROBERT ROBINSON, Knight Grand Cross of the Most Distinguished Order of Saint Michael and Saint George, Governor and Commander-in-Chief of the Colony of New South Wales and its Dependencies, and Vice-Admiral of the same.

TO ALL TO WHOM THESE PRESENTS SHALL COME, greeting:

WHEREAS GEORGE WILKINS, of Coonamble, in the said Colony, hath by his Petition humbly represented to me that he is the author or designer of a certain invention or improvement in manufactures, that is to say, of an invention for "Boring Post-holes," which is more particularly described in the specification and sheet of drawings which are hereunto annexed; and that he, the said Petitioner, hath deposited with the Honorable the Treasurer of the said Colony of New South Wales the sum of Twenty Pounds sterling, for defraying the expense of granting these Letters of Registration, as required by the Act of Council, sixteenth Victoria, number twenty-four; and hath humbly prayed that I would be pleased to grant Letters of Registration, whereby the exclusive enjoyment and advantage of the said invention or improvement might be secured to him for a period of fourteen years: And I, being willing to give encouragement to all inventions and improvements in the arts or manufactures which may be for the public good; and having received a report favourable to the prayer of the said Petition, from competent persons appointed by me to examine and consider the matters stated therein, and to report thereon for my information, am pleased, with the advice of the Executive Council, and in exercise of the power and authority given to me by the said Act of Council, to grant, and do by these Letters of Registration grant unto the said George Wilkins, his executors, administrators, and assigns, the exclusive enjoyment and advantage of the said invention or improvement, for and during the term of fourteen years from the date hereof; to have, hold, and exercise unto the said George Wilkins, his executors, administrators, and assigns, the exclusive enjoyment and advantage thereof, for and during and unto the full end and term of fourteen years from the date of these presents next and immediately ensuing, and fully to be complete and ended: Provided always, that if the said George Wilkins shall not, within three days after the granting of these Letters of Registration, register the same in the proper office in the Supreme Court, at Sydney, in the said Colony of New South Wales, then these Letters of Registration, and all advantages whatsoever hereby granted, shall cease and become void.

In witness whereof, I have hereunto set my sign manual, and have caused the present Letters of Registration to be sealed with the seal of the said Colony of New South Wales, at Government House, Sydney, in New South Wales, this twenty-third day of November, in the year of our Lord one thousand eight hundred and seventy-six.

(L.S.)

HERCULES ROBINSON.

Invention for Boring Post-holes.

SPECIFICATION of GEORGE WILKINS, of Coonamble, in the Colony of New South Wales, fencer, of an Invention for Boring Post-holes.

I, the said GEORGE WILKINS, do hereby declare to all to whom it may concern the nature of the said Invention, and in what manner the same is to be performed is particularly described and ascertained in and by the following statement thereof, that is to say,—

THIS Invention has for its object the boring of post-holes with facility and rapidity.

For the purpose of boring the holes I use a steel cast-iron or wrought-iron auger of varying pitch and diameter, according to the nature of the ground or soil to be excavated; the auger is mounted on the end of a vertical shaft, as shown in the drawing attached to this specification as A.

The vertical shaft J is caused to rotate by means of the bevel wheel and pinions DD'D", the shaft being square in section, and passing through a square eye in the wheel D, or having a similar provision for causing it to rotate with the wheel while it is at liberty to move upwards and downwards through the same.

Motion is to be communicated to the abovementioned wheel and auger by means of the bevel pinions D'D", actuated by men working the handles shown in the wheels CC'.

The auger being in motion circumferentially, a vertical and downward motion is to be imparted to it by means of the wheel and pinion at E, and thence through the intermediate gearing to the pitch-chains and pitch-wheels BB'.

The pitch-chains are attached to a cross-head, in which rotates the head of the cutter-bar, and the ends of the cross-head embrace vertical guide rods at each side, thus causing the top of the cutter-bar to move in a truly vertical direction, upwards or downwards, accordingly as the cross-head is directed by its attachment to the pitch-chains.

An upward motion can also be communicated to the cutter-bar; this is performed by moving the transverse shaft, carrying the pinion H, by means of the lever F, so as to disengage the wheel and pinion E and to engage the wheels G. The intermediate gearing and the pitch-chains and cutter-bar will then move in a reverse direction with increased velocity.

The lever I is for the purpose of engaging with the surface of the earth and enabling the operators to move the machine from point to point.

Sydney, 25 September, 1876.

GEORGE WILKINS.

Witness,—

WILLIAM DEANE,
Solicitor, Sydney.

This is the specification referred to in the annexed Letters of Registration, granted to George Wilkins, this twenty-third day of November, 1876.

HERCULES ROBINSON.

REPORT.

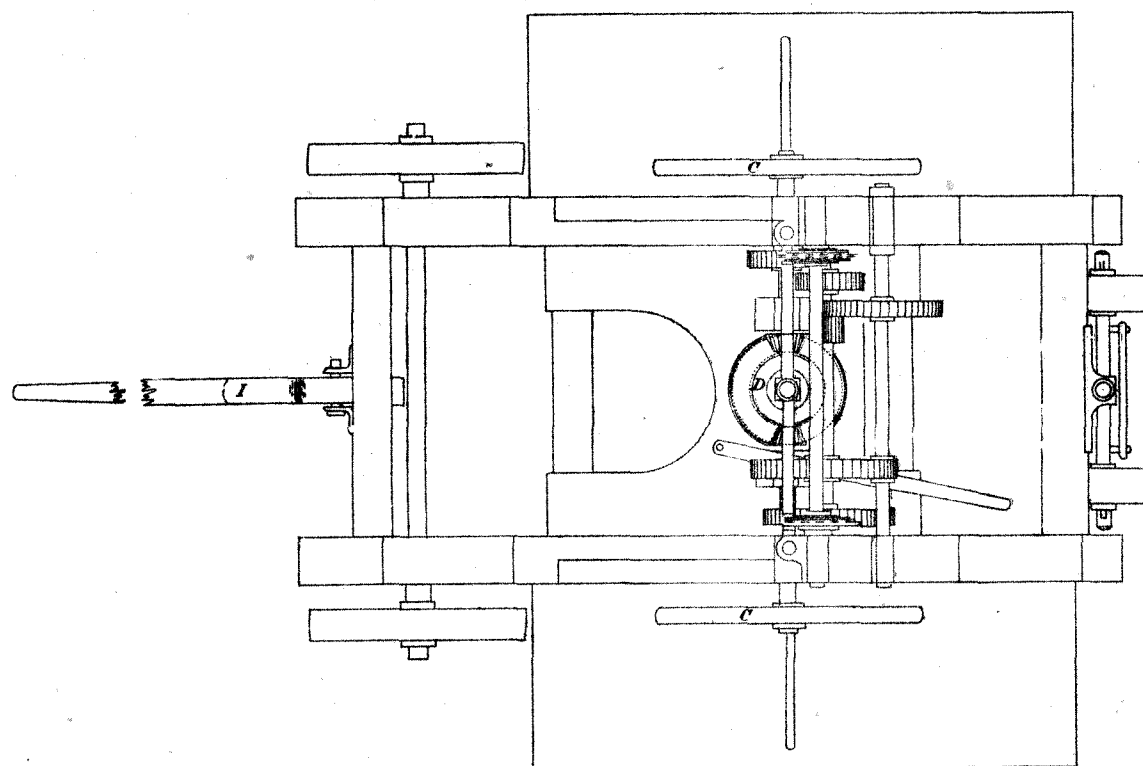
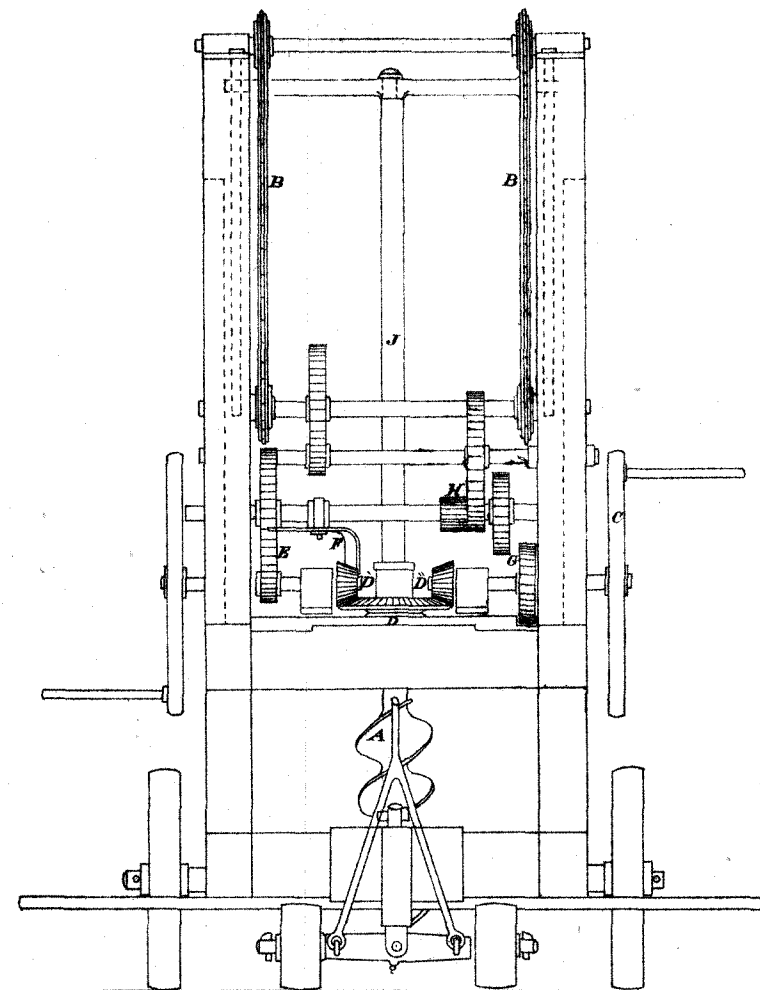
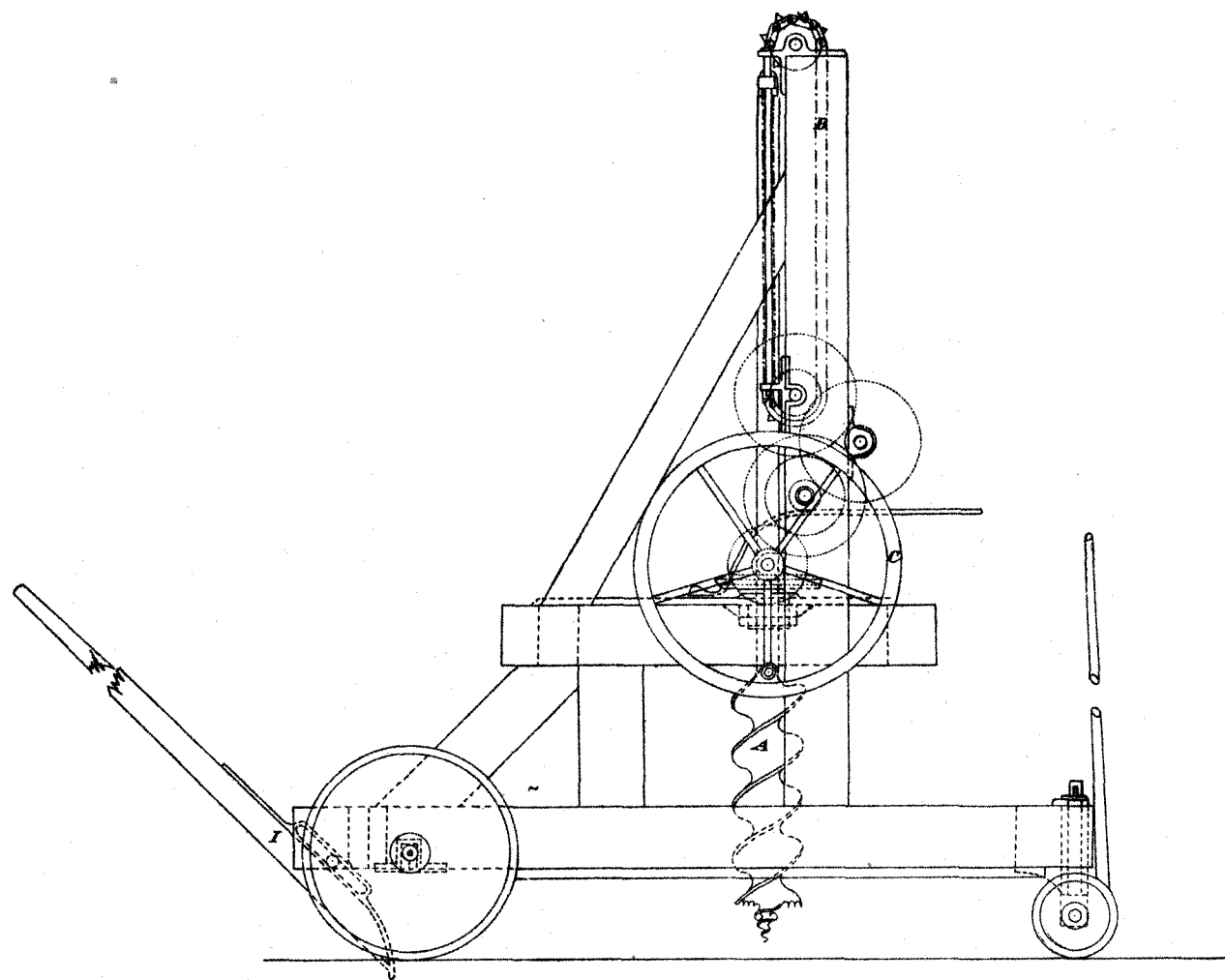
SIR,

In returning to you Mr. George Wilkins's Petition for Letters of Registration of an invention "for Boring Post-holes," we do ourselves the honor to report that we are of opinion that the Letters of Registration applied for may be granted, provided it is distinctly understood that Mr. Wilkins cannot in any way deviate from the detail as set forth in his specification and drawings herewith returned.

We have, &c.,

GOTHER K. MANN.
JAMES BARNET.

THE PRINCIPAL UNDER SECRETARY.



WILKINS'S POST HOLE BORING MACHINE

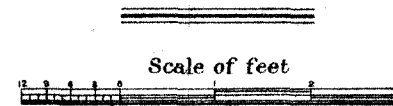


PHOTO-LITHOGRAPHED AT THE GOVT. PRINTING OFFICE, SYDNEY, NEW SOUTH WALES.

This is the Sheet of Drawings referred to in the annexed Letters of Registration granted to George Wilkins this twenty third day of November 1876

Hercules Robinson

[157]



A.D. 1876, 13th December. No. 555.

AN IMPROVED APPARATUS FOR EXTRACTING CORKS FROM BOTTLES.

LETTERS OF REGISTRATION to Peter Tyrer, for an improved Apparatus for extracting Corks from Bottles.

[Registered on the 15th day of December, 1876, in pursuance of the Act 16 Vic. No. 24.]

BY HIS EXCELLENCY SIR HERCULES GEORGE ROBERT ROBINSON, Knight Grand Cross of the Most Distinguished Order of Saint Michael and Saint George, Governor and Commander-in-Chief of the Colony of New South Wales and its Dependencies, and Vice-Admiral of the same.

TO ALL TO WHOM THESE PRESENTS SHALL COME, greeting :

WHEREAS PETER TYRER, of the City of Melbourne, in the Colony of Victoria, hath by his Petition humbly represented to me that he is the author or designer of a certain invention or improvement in manufactures, that is to say, of an invention for "An improved apparatus for extracting Corks from Bottles," which is more particularly described in the specification which is hereunto annexed ; and that he, the said Petitioner, hath deposited with the Honorable the Treasurer of the said Colony of New South Wales the sum of Twenty Pounds sterling, for defraying the expense of granting these Letters of Registration, as required by the Act of Council, sixteenth Victoria, number twenty-four ; and hath humbly prayed that I would be pleased to grant Letters of Registration, whereby the exclusive enjoyment and advantage of the said invention or improvement might be secured to him for a period of fourteen years : And I, being willing to give encouragement to all inventions and improvements in the arts or manufactures which may be for the public good, and having received a report favourable to the prayer of the said Petition, from competent persons appointed by me to examine and consider the matters stated therein, and to report thereon for my information, am pleased, with the advice of the Executive Council, and in exercise of the power and authority given to me by the said Act of Council, to grant, and do by these Letters of Registration grant unto the said Peter Tyrer, his executors, administrators, and assigns, the exclusive enjoyment and advantage of the said invention or improvement, for and during the term of fourteen years from the date hereof : to have, hold, and exercise unto the said Peter Tyrer, his executors, administrators, and assigns, the exclusive enjoyment and advantage thereof, for and during and unto the full end and term of fourteen years from the date of these presents next and immediately ensuing, and fully to be complete and ended : Provided always, that if the said Peter Tyrer shall not, within three days after the granting of these Letters of Registration, register the same in the proper office in the Supreme Court at Sydney, in the said Colony of New South Wales, then these Letters of Registration, and all advantages whatsoever hereby granted, shall cease and become void.

In witness whereof, I have hereunto set my sign manual, and have caused the present Letters of Registration to be sealed with the seal of the said Colony of New South Wales, at Government House, Sydney, in New South Wales, this thirteenth day of December, in the year of our Lord one thousand eight hundred and seventy-six.

(L.S.)

HERCULES ROBINSON.

An improved Apparatus for extracting Corks from Bottles.

SPECIFICATION of PETER TYRER, of No. 425, King-street, Melbourne, in the Colony of Victoria, engine-driver, for an invention intituled "An improved Apparatus for extracting Corks from Bottles."

THIS invention of an improved apparatus for extracting corks from bottles is constructed as follows:—I take two strips of flat steel wire, say about twenty-eight inches long, and place them cross-wise, one on top of the other. Where they cross each other I solder them together, and then strengthen each of the four arms by whipping them with thin wire for say three-eighths of an inch. I then gather up the four ends and bring them all into a small hole made through a piece of round rod iron, about three-eighths of an inch diameter. This is the handle. I then force a wedge into the centre of them, so as to hold them tight, and finally solder the ends so as to close up the hole and complete the apparatus. The wire may be round or flat, tinned or not, as preferred, and the handle may be painted, japanned, or polished.

The use of my invention is to extract corks which have been forced through the neck into the body of the bottle. I first push the wires through the neck into the bottle, and (if it is empty) I turn it upside down, so as to shake the corks into or about the bottom of the neck. I then pull the handle downwards, when the apparatus brings the cork or corks with it, and out of the bottle. If the bottle be full, or have any liquid in it, I do not turn it upside down, but allow it to stand on its bottom, and in this position extract the corks by an upward pull through the neck.

Sketch No. 1 shows a view of my apparatus by itself. No. 2 shows it in the act of insertion into the bottle. No. 3 shows it as it is about to extract the cork from an empty bottle, and No. 4 shows how it may be expanded (after being frequently squeezed through the neck of a bottle) in order that it may regain its original shape.

I do not confine myself to any particular size or quality of wire or rod iron, nor to their dimensions, but I claim my improved apparatus for extracting corks from bottles, substantially as herein described and explained.

This is the specification referred to in the annexed Letters of Registration, granted to Peter Tyrer, this thirteenth day of December, 1876.

REPORT.

SIR,

Having, in attention to your B.C. minute of the 18th instant, examined the plans and specifications of Peter Tyrer, for Letters of Registration for his invention for an improved apparatus for extracting corks from bottles, we have now the honor to state that we see no objection to the prayer of the petition being complied with.

THE PRINCIPAL UNDER SECRETARY.

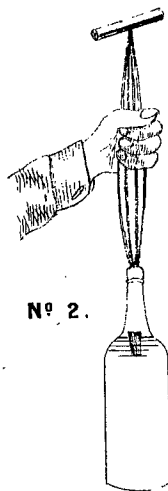
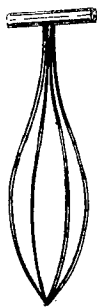
Sydney, 31 October, 1876.

We have, &c.,

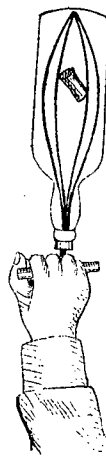
ROBERT GEO. MASSIE.
E. O. MORIARTY.

[Drawings—one sheet.]

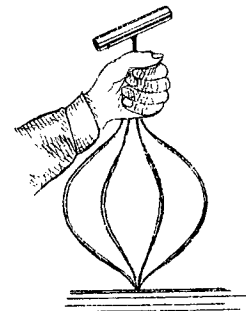
N° 1.



N° 2.



N° 3.



N° 4.

[159]



A.D. 1876, 14th December. No. 556.

IMPROVEMENTS IN EXPLOSIVE COMPOUNDS.

LETTERS OF REGISTRATION to Alfred Nobel, for Improvements in Explosive Compounds.

[Registered on the 16th day of December, 1876, in pursuance of the Act 16 Vic. No. 24.]

BY HIS EXCELLENCY SIR HERCULES GEORGE ROBERT ROBINSON, Knight Grand Cross of the Most Distinguished Order of Saint Michael and Saint George, Governor and Commander-in-Chief of the Colony of New South Wales and its Dependencies, and Vice-Admiral of the same.

TO ALL TO WHOM THESE PRESENTS SHALL COME, greeting:

WHEREAS ALFRED NOBEL, of Paris, in the Republic of France, hath by his Petition humbly represented to me that he is the author or designer of a certain invention or improvement in manufactures, that is to say, of an invention for "Improvements in Explosive Compounds," which is more particularly described in the specification which is hereunto annexed; and that he, the said Petitioner, hath deposited with the Honorable the Treasurer of the said Colony of New South Wales the sum of Twenty pounds sterling, for defraying the expense of granting these Letters of Registration, as required by the Act of Council, sixteenth Victoria, number twenty-four; and hath humbly prayed that I would be pleased to grant Letters of Registration, whereby the exclusive enjoyment and advantage of the said invention or improvement might be secured to him for a period of fourteen years: And I, being willing to give encouragement to all inventions and improvements in the arts or manufactures which may be for the public good, and having received a report favourable to the prayer of the said Petition, from competent persons appointed by me to examine and consider the matters stated therein, and to report thereon for my information, am pleased, with the advice of the Executive Council, and in exercise of the power and authority given to me by the said Act of Council, to grant, and do by these Letters of Registration grant unto the said Alfred Nobel, his executors, administrators, the exclusive enjoyment and advantage of the said invention or improvement for and during the term of fourteen years from the date hereof; to have, hold, and exercise unto the said Alfred Nobel, his executors, administrators, and assigns, the exclusive enjoyment and advantage thereof, for and during and until the full end and term of fourteen years from the date of these presents next and immediately ensuing, and fully to be complete and ended: Provided always, that if the said Alfred Nobel shall not, within three days after the granting of these Letters of Registration, register the same in the proper office in the Supreme Court at Sydney; in the said Colony of New South Wales, then these Letters of Registration, and all advantages whatsoever hereby granted, shall cease and become void.

In witness whereof, I have hereunto set my sign manual, and have caused the present Letters of Registration to be sealed with the seal of the said Colony of New South Wales, at Government House, Sydney, in New South Wales, this fourteenth day of December, in the year of our Lord one thousand eight hundred and seventy-six.

(L.S.)

HERCULES ROBINSON.

Improvements in Explosive Compounds.

TO ALL TO WHOM THESE PRESENTS SHALL COME, I, ALFRED NOBEL, of Paris, in the Republic of France, send greeting :

WHEREAS I am desirous of obtaining Letters of Registration under the sign manual and seal of the Colony of New South Wales, for exclusive enjoyment and advantage for a period of fourteen years of an invention for "Improvements in Explosive Compounds," of which I am the first and true inventor : Now, know ye, that the nature of the said invention, and the manner in which the same is to be performed, is particularly described and ascertained in and by the following statement, that is to say :—

The object of this invention of improvements in explosive compounds is to convert nitro-glycerine and analogous explosive liquids (of which nitrate of methyle ranks next in power) from their liquid state to a solid or semi-solid consistency. The liquid state is found to be dangerous in regard to storage, transport, and, in some cases, use, whereas the solid state is found to be highly conducive to safety, and offers great facility for use, storage, and transport.

The invention consists in incorporating these liquid explosive substances with another substance which is capable of gelatinising or thickening them, and for this purpose a substance is chosen which will detract little or nothing from their explosive power. Nitro-glycerine, which is the most powerful of explosive liquids, may be gelatinised by dissolving in it nitrated cellulose, such as the nitrated cotton which is known as collodion gun-cotton. The explosive compound becomes more and more gelatinous in proportion to the quantity of nitrated cellulose which is dissolved therein, and it forms (when 7 to 8 per cent. of the nitrated cellulose have been incorporated) a solid jelly, which is very safe and highly suitable for every purpose to which very powerful explosives can be applied. I do not, however, confine myself to that exact proportion, since it must be suited to the degree of hardness or consistency required for each special object in view.

In some explosive liquids (such as nitrate of methyle) collodion cotton readily dissolves at the ordinary temperature, and forms a thick explosive gum or jelly. In the case of nitro-glycerine, however, the incorporation of the abovenamed gelatinising substance is facilitated by means of a special treatment, which consists in adding a small quantity of a substance which promotes the solubility upon which the gelatinisation depends. Such substances are the acetic ethers of glycerine, ethyle, methyle, acetic acid, a mixture of alcohol and ether, acetone, nitrobenzol, dinitrobenzol, the nitrates of ethyle, methyle, and other analogous substances. The quantity of the solvent which has to be added depends upon the nature of the substance chosen, but as a rule about 10 per cent. of the weight of nitro-glycerine which has to be gelatinised will be found in practice to be amply sufficient. I have found, moreover, that by gently treating nitro-glycerine (in a water bath or otherwise) it acquires the property of dissolving nitrated collodion cellulose without the addition of a promoting solvent as above-described. That property admits of dispensing entirely with the addition of the promoting solvent, or when it is found advantageous to use the promoting solvent, the application of heat will enable the quantity used to be reduced to two per cent., or even less, of the weight of the nitro-glycerine. Since nitrated cellulose is rarely, if at all, of a homogeneous composition, and therefore its solubility in nitro-glycerine, even when aided by the heat of a water bath, will be found to vary, it must needs be left to the judgment and experience of the manufacturer whether to add or not a predisposing or promoting solvent, as above-described, and the necessary proportion will be readily ascertained in practice after a little experience.

In carrying out my invention I make use of ordinary collodion cotton, which I find readily dissolves in and gelatinises nitro-glycerine. I find, however, that commercial collodion cotton varies considerably in composition, and that it is necessary, in order to obtain a nitrated cellulose readily soluble in nitro-glycerine, to test from time to time samples of the cotton immersed in the nitro-sulphuric acid, taking care to remove it from the acid bath when its solubility in nitro-glycerine is found most perfect. As a rule, one part by weight of dry cotton kept immersed during one hour and a half in a bath of ten parts by weight of nitric acid of 1.44 specific gravity and ten parts by weight of sulphuric acid of 1.835 specific gravity, the bath being kept at a temperature of from 30 to 40 degrees centigrade, yield a nitrated cellulose very suitable for gelatinising nitro-glycerine.

The above-described process of gelatinising necessitates—1. That the explosive liquid shall contain no impurity or foreign matter capable of counteracting its power of dissolving nitrated cellulose or other substance possessed of the same property, as hereinbefore described. 2. That only such nitrated cellulose, or other analogous substance, is to be used which readily dissolves in and gelatinises the explosive liquid. 3. That the solution of the nitrated cellulose, or other analogous substance (especially if that substance is twisted or compressed), shall be facilitated by mechanical stirring or kneading, so as to allow of the necessary access to all the parts of the nitrated cotton intended to be dissolved.

The explosive jelly obtained by the above-described process can be easily pressed into cartridges or any other forms convenient for use. For certain purposes, and especially for military use, it is of importance to be able to dilute or modify the explosive sensitiveness of gelatinised nitro-glycerine in a measure exactly suited to the purpose in view. This is done by adding more or less of a non-explosive or sluggishly explosive substance, possessed of the property of dissolving both nitro-glycerine and the substance which serves to gelatinise it. Such are the acetic ethers of glycerine, methyle, ethyle, and acetone, acetic acid, nitrobenzol, dinitrobenzol, the nitrates of methyle and ethyle, or other solvents of an analogous character. An addition of the abovenamed or of any analogous substance serves not only the purpose of rendering the gelatinised nitro-glycerine less sensitive to concussion but also reduces its quickness of explosion, facilitates, as above-described, the process of gelatinisation, and lowers the temperature at which nitro-glycerine becomes hardened or congealed. The least volatile substances, such as the acetic ethers of glycerine, nitrobenzol, dinitrobenzol, deserve preference, inasmuch as they cannot become inactive through evaporation.

The exact proportion of the substances above referred to to be added to the nitro-glycerine in process of gelatinisation will depend entirely on the object in view.

It should be understood that the addition of any of the above-mentioned bodies to nitro-glycerine lowers the per centage of oxygen, and raises the per centage of carbon and hydrogen, contained in the explosive mixture. To make up for the loss of power resulting therefrom, such quantity of finely pulverised nitrate of soda, or nitrate of potash, or chlorate of potash, or other suitable oxidiser, may be kneaded into the

Improvements in Explosive Compounds.

the material as is required to complete combustion of all the carbon and its conversion to carbonic acid and all the hydrogen to vapour. The exact proportions are easily computed by means of well known chemical formulae.

It is unnecessary to specify the endless number of mixtures which might thus be produced, and I will therefore simply describe four kinds of mixtures, which may be taken as indicating the classes that will answer the purpose:—

1. Nitro-glycerine gelatinised by dissolving therein, as above-described, 7 to 8 per cent. of nitrated cellulose, or other substance of a like character, or more or less, according to the consistency required for the resulting gelatine. In some cases as small a proportion as 4 per cent. would be found to answer, as for torpedo purposes.
2. The gelatine described in 1, with an addition of from $\frac{1}{2}$ per cent. to 30 per cent. of acetic ether of glycerine, nitrobenzol, or dinitrobenzol, or analogous substance. The wide range between $\frac{1}{2}$ per cent. and 30 per cent. is given because a very sensitive explosive is required for some purposes and a very sluggish explosive for others.
3. The composition described in 2, with the addition of an oxidising nitrate or chlorate in such proportions as will secure complete combustion on the principles hereinbefore described.
4. The compositions described in 1 and 2, with the addition of cheaper though less powerful explosives or semi-explosives which may be readily kneaded or combined therewith, such, for instance, as common gunpowder, various mixtures of pulverised nitrates or chlorates, with coal-dust, sulphur, sugar, starch, saw-dust, rosin, fatty matters, and other analogous substances. Further, all nitrated organic compounds, with or without the addition of oxidising agents, such as nitrate of soda, saltpetre, or chlorate of potash; in fact every explosive mixture hitherto known and capable of being incorporated with gelatinised nitro-glycerine. Such admixtures are chiefly of use when the reduced concentration of power which they occasion is compensated by cheapness of cost. Practically, therefore, available admixtures will consist of say 85 parts by weight of nitrate of soda, or 101 parts of nitrate of potash, or 200 parts of nitrate of ammonia, or 101 parts of chlorate of potash, with 15 to 30 parts by weight of charcoal (15 parts are needed for complete combustion to carbonic acid, and 30 parts for complete combustion to carbonic oxide), or an equivalent quantity, which with the aid of chemical formulas is easily computed, of any combustible organic matter. The abovenamed ingredients when well pulverised and intimately mixed are then carefully kneaded together with from 20 to 60 per cent. (more or less, according as a stronger or weaker explosive is required) of gelatinised nitro-glycerine. In order still more fully to elucidate the operation, I give here subjoined a few illustrating examples of compositions suitable for practical purposes, but without restricting myself to them:—

A—93	parts by weight of nitro-glycerine.		
7	do.	do.	soluble nitrated cellulose (gelatinised).
B—91	do.	do.	nitro-glycerine.
2	do.	do.	acetic ether of glycerine, or nitrobenzol, or dinitrobenzol, or acetic ether, or analogous suitable substance.
7	do.	do.	soluble nitrated cellulose (gelatinised).
D—80	do.	do.	nitro-glycerine.
10	do.	do.	dinitrobenzol, or nitrobenzol, or ether of glycerine, or analogous suitable substance.
10	do.	do.	soluble nitrated cellulose (gelatinised).
E—80	do.	do.	the D mixture.
20	do.	do.	nitrate of soda, or an equivalent quantity of other suitable oxidising agent, such as nitrate of potash, nitrate of barium, nitrate of ammonium, chlorate of potash, intimately mixed.
F—30	do.	do.	one of the mixtures A, B, or D.
70	do.	do.	ordinary gunpowder, or analogous substance, intimately mixed.
G—30	do.	do.	one of the mixtures A, B, or D.
59	do.	do.	nitrate of soda, or an equivalent quantity of other oxidiser as named sub. E.
11	do.	do.	charcoal, or equivalent proportion of other combustible substance.

The mixtures A, B, and D are best suited for blasting very hard rock; F and G will do for milder rock. The other compositions abovenamed are especially useful for military or other purposes which require a reduction of the sensitiveness of gelatinised nitro-glycerine to concussion, or a reduction of its tendency to rapid explosion.

Gelatinised nitro-glycerine when properly confined is capable of exploding when fired with a common fuse, but as a rule the explosion is quickened and facilitated by using detonators, which are caps of a special character, containing a strong charge of fulminate, and are now largely used for firing dynamite. When hardened in cold weather, gelatinised nitro-glycerine explodes more readily than frozen dynamite; still it is a good precaution always to head the charge with a primer consisting of a small cartridge of gunpowder, or gun-cotton, or dynamite, or uncongealed gelatinised nitro-glycerine, or analogous substance.

Gelatinised nitro-glycerine to which a considerable portion of acetic ether of glycerine, or nitrobenzol, or dinitrobenzol, or analogous substance, as above-described, has been added not only requires to be fired by a strong detonation, but also requires to be confined as in a shell, in order to be able to make it exert its full power.

Having now described my invention of "Improvements in Explosive Compounds," and having explained the manner of carrying the same into effect, I claim—

First—Solidifying or thickening liquid explosive substances, such as nitro-glycerine, nitrate of methyle, and other analogous substances, by gelatinising them in the manner and for the purpose herein set forth.

Second—

Improvements in Explosive Compounds.

Second—The employment of non-exploding or sluggishly exploding substances (soluble in nitro-glycerine) for the purpose of modifying (as required) the sensitiveness to concussion or the tendency to rapid explosion, and also for lowering the freezing point of the abovenamed explosive gums, as herein set forth.

Third—Incorporating with the said explosive gums or gelatinised compounds various other explosive mixtures, with a view to lessen the cost or to reduce the explosive force of the compound, as herein set forth.

In witness whereof, I have set my hand this 5th day of July, 1876.

A. NOBEL.

This is the specification referred to in the annexed Letters of Registration, granted to Alfred Nobel, this 14th day of December, 1876.

HERCULES ROBINSON.

REPORT.

SIR,

In the matter of the application of Mr. Alfred Nobel for Letters of Registration for "Improvements in Explosive Compounds," which has been referred to us, we have the honor to report that we have examined the specification accompanying the same, and see no objection to the issue of Letters of Registration as prayed for.

Sydney, 28 October, 1876.

We have, &c.,

J. SMITH,
CHAS. WATT.

THE PRINCIPAL UNDER SECRETARY.

[163]



A.D. 1876, 27th December. No. 557.

AN IMPROVEMENT IN FURNACES FOR TREATING ORES.

LETTERS OF REGISTRATION to Alexander Borthwick, for an Improvement in Furnaces for treating Ores.

[Registered on the 29th day of December, 1876, in pursuance of the Act 16 Vic. No. 24.]

BY HIS EXCELLENCY SIR HERCULES GEORGE ROBERT ROBINSON, Knight Grand Cross of the Most Distinguished Order of Saint Michael and Saint George, Governor and Commander-in-Chief of the Colony of New South Wales and its Dependencies, and Vice-Admiral of the same.

TO ALL TO WHOM THESE PRESENTS SHALL COME, greeting :

WHEREAS ALEXANDER BORTHWICK, of number 36, Market-street, Melbourne, in the Colony of Victoria, oil and colour man, hath by his Petition humbly represented to me that he is the author or designer of a certain invention or improvement in manufactures, that is to say, of an invention for "An Improvement in Furnaces for treating Ores," which is more particularly described in the specification and sheet of drawing which are hereunto annexed; and that he, the said Petitioner, hath deposited with the Honorable the Treasurer of the said Colony of New South Wales the sum of Twenty Pounds sterling, for defraying the expense of granting these Letters of Registration, as required by the Act of Council, sixteenth Victoria, number twenty-four; and hath humbly prayed that I would be pleased to grant Letters of Registration, whereby the exclusive enjoyment and advantage of the said invention or improvement might be secured to him for a period of fourteen years: And I, being willing to give encouragement to all inventions and improvements in the arts or manufactures which may be for the public good, and having received a report favourable to the prayer of the said Petition, from competent persons appointed by me to examine and consider the matters stated therein, and to report thereon for my information, am pleased, with the advice of the Executive Council, and in exercise of the power and authority given to me by the said Act of Council, to grant, and do by these Letters of Registration grant unto the said Alexander Borthwick, his executors, administrators, and assigns, the exclusive enjoyment and advantage of the said invention or improvement, for and during the term of fourteen years from the date hereof: to have, hold, and exercise unto the said Alexander Borthwick, his executors, administrators, and assigns, the exclusive enjoyment and advantage thereof, for and during and unto the full end and term of fourteen years from the date of these presents next and immediately ensuing, and fully to be complete and ended: Provided always, that if the said Alexander Borthwick shall not, within three days after the granting of these Letters of Registration, register the same in the proper office in the Supreme Court at Sydney, in the said Colony of New South Wales, then these Letters of Registration, and all advantages whatsoever hereby granted, shall cease and become void.

In witness whereof, I have hereunto set my sign manual, and have caused the present Letters of Registration to be sealed with the seal of the said Colony of New South Wales, at Government House, Sydney, in New South Wales, this twenty-seventh day of December, in the year of our Lord one thousand eight hundred and seventy-six.

(L.S.)

HERCULES ROBINSON.

An improvement in Furnaces for treating Ores.

SPECIFICATION of ALEXANDER BORTHWICK, of No. 36, Market-street, Melbourne, in the Colony of Victoria, oil and colour man, for an invention intituled "An improvement in Furnaces for treating Ores."

THE improvement which constitutes this invention relates to that description of furnace for treating ores in which the ore-bed consists of a tubular chamber revolving or partially revolving on its own axis. Such furnaces are now used for roasting ores, and the revolving motion is given for the purpose of effecting two objects—first, to expose the whole surface of every particle of ore to the action of the heat; and secondly, to convey it slowly from the feed to the discharge end. The first of these objects is only imperfectly effected, although stops have been used for the purpose of assisting the revolving motion to break up the mass of ore and present a continuously changing surface. Now, my invention has been designed for the purpose of more certainly exposing the whole surface of each particle of ore to the action of the heat. It consists in the introduction of continuous ridges or lifters running in straight, irregular, or spiral lines, parallel to each other, and attached to or forming part of the inner periphery of such tubular chambers, which, as they revolve, lift the ore under treatment until having reached a certain point the lifted ore slips or falls off, discharging itself in a shower across the area of the chamber, thus repeatedly exposing the whole surface of each particle to the action of the heat.

These lifters may be of any practicable shape, size, and material, either recessed in or projecting from the inner periphery of the fire bricks or clay with which such chambers are commonly lined. They may run in continuous parallel lines, straight, irregular, or spiral. And further, although I have stated that my lifters are applicable to revolving tubular chambers when used for roasting ores, I desire to add that my lifters are equally applicable if such chambers be used either for drying or for smelting ores.

The method of feeding such chambers forms no part of my present invention, although under some circumstances I contemplate using a blast for this purpose. This blast may be used for blowing either ore or fuel or both into the furnace, the supply passing through one hopper in which the ore and fuel are mixed, or through separate hoppers in which they are kept distinct. In any case the material so fed must be reduced to small particles.

In order that my invention may be more perfectly understood by those skilled in the art, I will now refer to the drawings deposited herewith, in which figure 1 shows longitudinal section of a revolving tubular roasting chamber with my lifters applied in parallel straight lines, and consisting of wedge-shaped fire-brick. Figure 2 shows cross-section thereof—A being the fire-place, B the fire-bars, C the fire-bridge, D the lifters in the tubular chamber E, F friction rollers, G driving ring for revolving the chamber, H the feeding-hopper, I the chimney-stack.

Figures 3 and 4 show respectively cross and longitudinal section of a tubular chamber with the lifters made in the same form as in figure 1, but running in spiral instead of straight lines; DD are the lifters.

Figures 5 and 6 show respectively longitudinal and cross section of a tubular chamber with the lifters D set in a different line to those in the other figures.

Figures 7 and 8 show respectively plan and side elevation of the mechanical arrangements for imparting an oscillating motion to the chamber whenever so required, and figure 9 shows elevation of the pulleys and the contrivances for changing the belts thereon which form part of these arrangements; J is the crank-shaft of an engine, K is a barrel, L belts, M fast pulleys, N loose pulley, O fork for changing the belts, P stem thereof working in cam groove Q in barrel Q, R chain-pulley, R¹ chain. By these contrivances the fork O removes the belt from the loose pulley to the fast pulley, which has previously been stationary, and from the fast pulley, which has been previously moving, to the loose pulley, and so on backwards and forwards to produce each oscillation of the cylinder.

The mechanical arrangements shown in figures 7, 8, and 9 form no part of my invention, and are only illustrated to show a practical method of giving an oscillating or partially revolving motion, which is so common as to need no description.

Having thus described the nature of my invention and the manner of performing same, I would have it understood that I do not claim to be the inventor of revolving tubular chambers in ore-furnaces or of stops therein, as I am aware that such are now in use, but

I claim only,—

The introduction of continuous parallel ridges or lifters into revolving or partially revolving tubular chambers for treating ores substantially as herein described and explained.

REPORTS.

SIR,

Sydney, 17 October, 1876.

In returning to you the documents transmitted to us under your blank cover of the 10th instant, No. 76/7,239, which have reference to Mr. Alexander Borthwick's application for Letters of Registration for "an improvement in Furnaces for treating Ores," we do ourselves the honor to report that we see no objection to the issue of the Letters of Registration applied for, provided it is distinctly understood that Mr. Borthwick's claim does not include or give him any right to the use of any portion of the machinery shown in his drawing or described in his specification beyond the continuous parallel ridges or lifters on the inner periphery of the revolving chamber.

We have, &c.,
GOTHER K. MANN.
CHAS. WATT.

THE PRINCIPAL UNDER SECRETARY.

SIR,

An improvement in Furnaces for treating Ores.

SIR,

Sydney, 23 November, 1876.

In returning to you the documents transmitted to us under your blank cover communication of the 20th instant, No. 76/8,533, we do ourselves the honor further to report that we see no objection to the immediate issue of Letters of Registration in accordance with our previous report of the 17th ultimo, securing to Mr. Borthwick his "Improvements in Furnaces for treating Ores."

We beg further to state, that as Mr. Borthwick's claim is now distinctly understood, we are of opinion that no alteration of the original specification and drawings is necessary.

We have, &c.,

GOTHER K. MANN.
CHAS. WATT.

THE PRINCIPAL UNDER SECRETARY.

[Drawings—one sheet.]

A. BORTHWICK'S. PATENT.

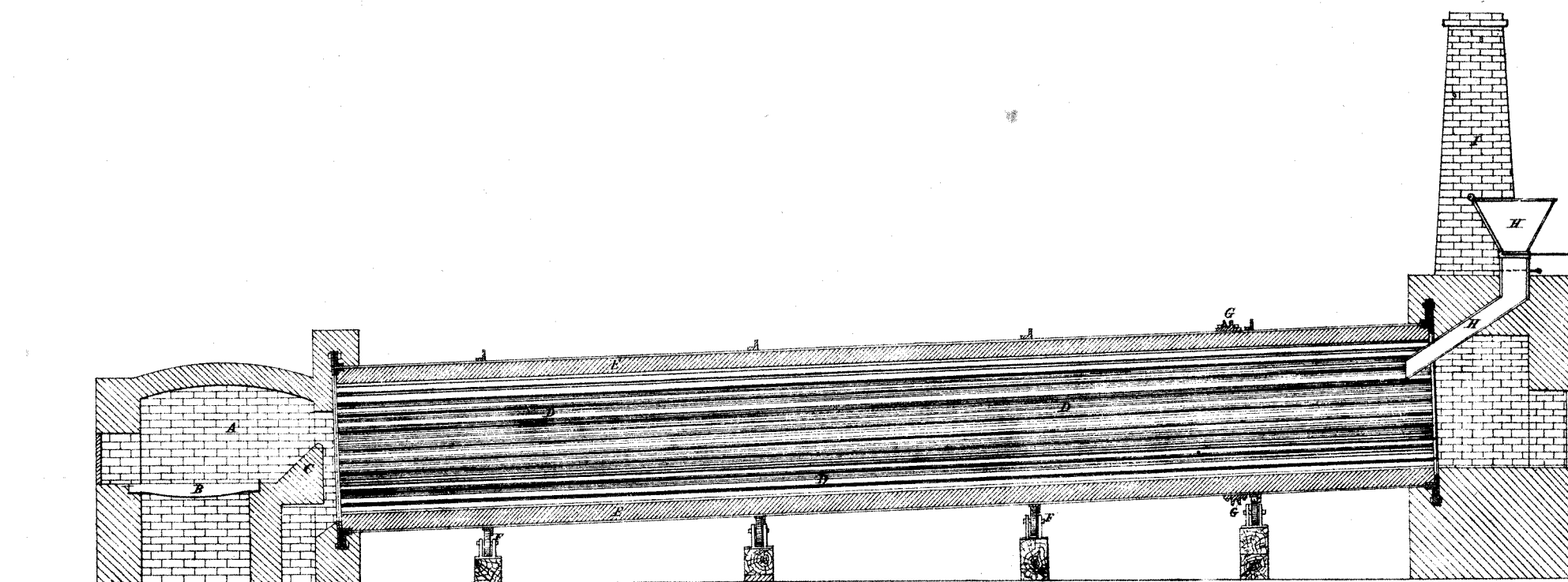


FIG. 1.

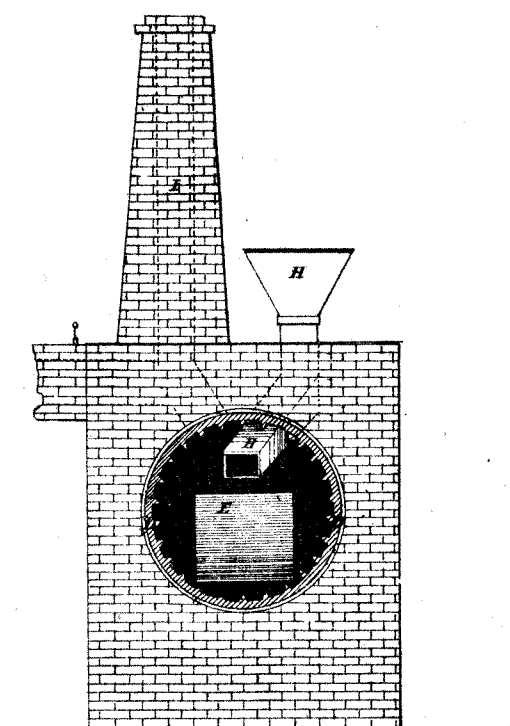


FIG. 2.

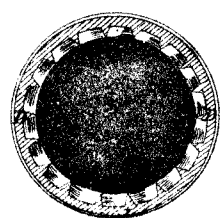


FIG. 3.

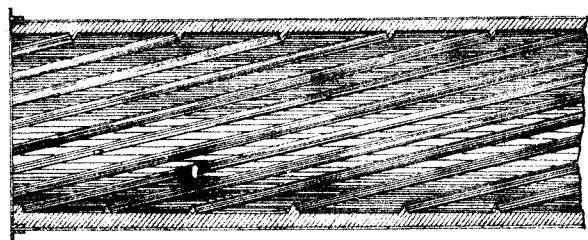


FIG. 4.

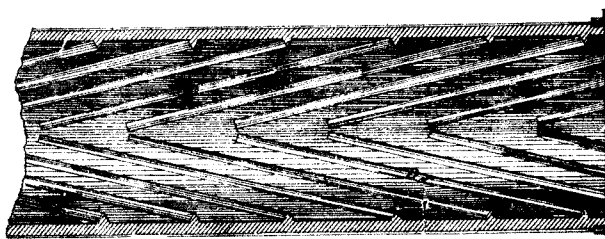


FIG. 5.

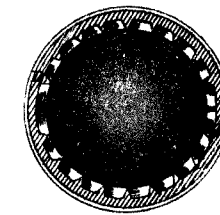


FIG. 6.

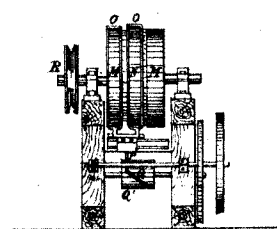


FIG. 9.

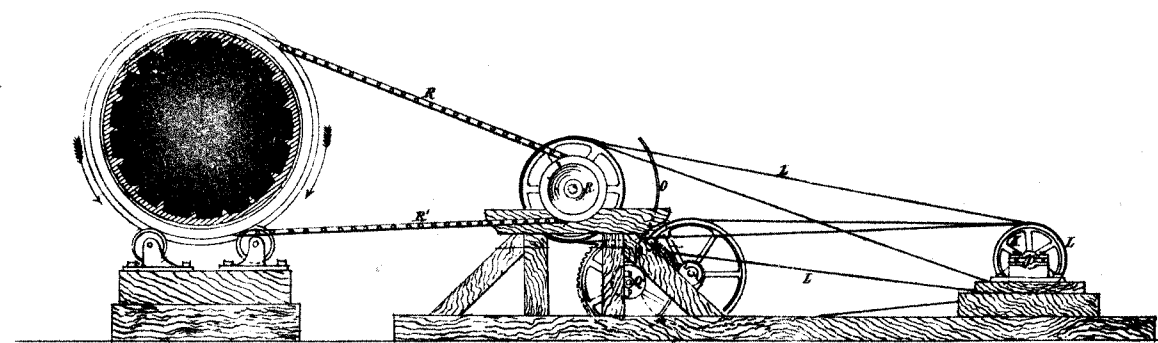


FIG. 8.

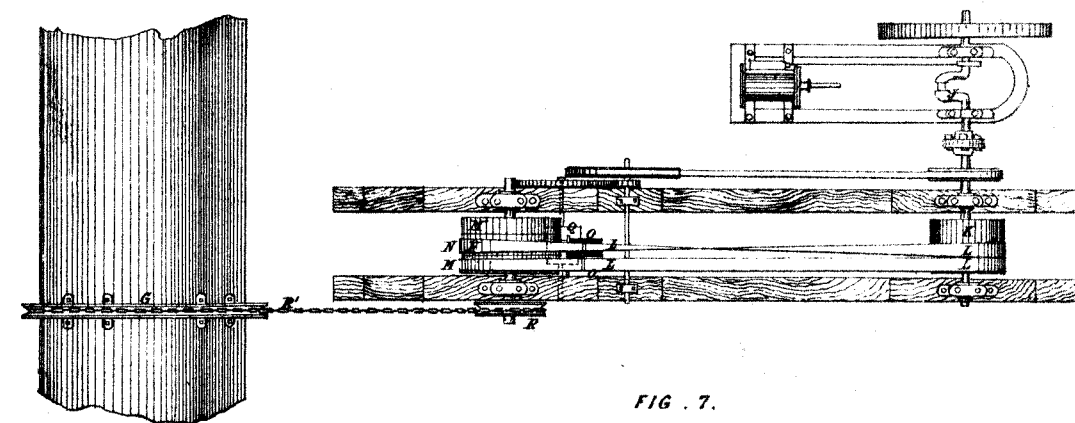


FIG. 7.



A.D. 1876, 27th December. No. 558.

INVENTION FOR KEEPING MEAT, FISH, BUTTER, MILK, VEGETABLES, AND ALL OTHER KINDS OF PERISHABLE ARTICLES.

LETTERS OF REGISTRATION to James Shaw, for an Invention for keeping Meat, Fish, Butter, Milk, Vegetables, and all other kinds of perishable articles.

[Registered on the 29th day of December, 1876, in pursuance of the Act 16 Vic. No. 24.]

BY HIS EXCELLENCY SIR HERCULES GEORGE ROBERT ROBINSON, Knight Grand Cross of the Most Distinguished Order of Saint Michael and Saint George, Governor and Commander-in-Chief of the Colony of New South Wales and its Dependencies, and Vice-Admiral of the same.

TO ALL TO WHOM THESE PRESENTS SHALL COME, greeting:

WHEREAS JAMES SHAW, at present residing in the City of Sydney, in the Colony of New South Wales, a Member of the Royal College of Surgeons of England, hath by his Petition humbly represented to me that he is the author or designer of a certain invention or improvement in manufactures, that is to say, of an invention for "keeping Meat, Fish, Butter, Milk, Vegetables, and all other kinds of perishable articles," which is more particularly described in the specification and sheet of drawings which are hereunto annexed; and that the said Petitioner hath deposited with the Honorable the Treasurer of the said Colony of New South Wales the sum of Twenty Pounds sterling, for defraying the expense of granting these Letters of Registration, as required by the Act of Council, sixteenth Victoria, number twenty-four; and hath humbly prayed that I would be pleased to grant Letters of Registration, whereby the exclusive enjoyment and advantage of the said invention or improvement might be secured to him for a period of fourteen years: And I, being willing to give encouragement to all inventions and improvements in the arts or manufactures which may be for the public good, and having received a report favourable to the prayer of the said Petition, from competent persons appointed by me to examine and consider the matters stated therein, and to report thereon for my information, am pleased, with the advice of the Executive Council, and in exercise of the power and authority given to me by the said Act of Council, to grant, and do by these Letters of Registration grant unto the said James Shaw, his executors, administrators, and assigns, the exclusive enjoyment and advantage of the said invention or improvement, for and during the term of fourteen years from the date hereof: to have, hold, and exercise unto the said James Shaw, his executors, administrators, and assigns, the exclusive enjoyment and advantage thereof, for and during and unto the full end and term of fourteen years from the date of these presents next and immediately ensuing, and fully to be complete and ended: Provided always, that if the said James Shaw shall not, within three days after the granting of these Letters of Registration, register the same in the proper office in the Supreme Court, at Sydney, in the said Colony of New South Wales, then these Letters of Registration, and all advantages whatsoever hereby granted, shall cease and become void.

In witness whereof, I have hereunto set my sign manual, and have caused the present Letters of Registration to be sealed with the seal of the said Colony of New South Wales, at Government House, Sydney, in New South Wales, this twenty-seventh day of December, in the year of our Lord one thousand eight hundred and seventy-six.

(L.S.)

HERCULES ROBINSON.

Invention for keeping Meat, Fish, Butter, Milk, Vegetables, &c.

SPECIFICATION of Patent for preserving Meat, Fish, Butter, and other perishable articles.

THE purpose of my invention is to preserve and retain perfect the abovenamed articles by means so simple that it could be adopted by all classes of the community for their own households, and also employed to preserve meat and other perishable articles while on a voyage to any part of the world.

The process itself may be thus briefly described:—

A chamber, box, cupboard, ship's hold, or any part of a ship, is padded with sheep's wool or cotton (without any lining of wood or iron, excepting for the purpose of cleanliness) of sufficient thickness to accomplish the object required to be obtained. For an ordinary family ice-chest a thickness of 3 inches of wool would be quite sufficient, while for more extensive operations a greater thickness of wool would be required. The state of cold is obtained by means of ice, or by any other means of producing cold; and it will be found that a chamber space, or whatever it may be, so lined with wool or cotton is unaffected by external influences to a greater extent than by any other known or used process, and the thermometer in the chest will register the same while passing through the Tropics as it would at the North or South Pole.

By means of this arrangement butchers, fishmongers, and families could not only keep but hang their meat and fish for any reasonable time, and obtain a supply of fresh provisions from other colonies, which cannot be done by any other process now in use.

Having thus described my invention, what I claim as new, and desire to secure by Letters of Registration, is to render any chamber or space impervious to heat by padding or lining it with sheep's wool or cotton, substantially as hereinbefore described; and I claim this as my own invention, which has not hitherto been used, to the best of my knowledge and belief.

JAMES SHAW.

This is the specification referred to in the annexed Letters of Registration, granted to James Shaw, this day of December, 1876.

HERCULES ROBINSON.

REPORTS.

SIR,

Sydney, 11 November, 1876.

The application of Mr. James Shaw for Letters of Registration for an "invention for keeping meat, fish, butter, milk, vegetables, and all other kinds of perishable articles," having been referred to us, we have examined the specification and drawing accompanying the same, and have now the honor to report thereon as follows:—

This so-called invention consists simply in placing the articles "in an enclosed space of any kind covered or lined inside with any non-conductor," and then cooling the space by means of blocks of ice.

This description would apply to the chambers used for preserving meat, &c., on board many Atlantic and other steamers, and even to an ordinary ice-chest.

We are unable to recommend that the prayer of this petition be granted.

We have, &c.,

JOHN SMITH.
CHAS. WATT.

THE PRINCIPAL UNDER SECRETARY.

SIR,

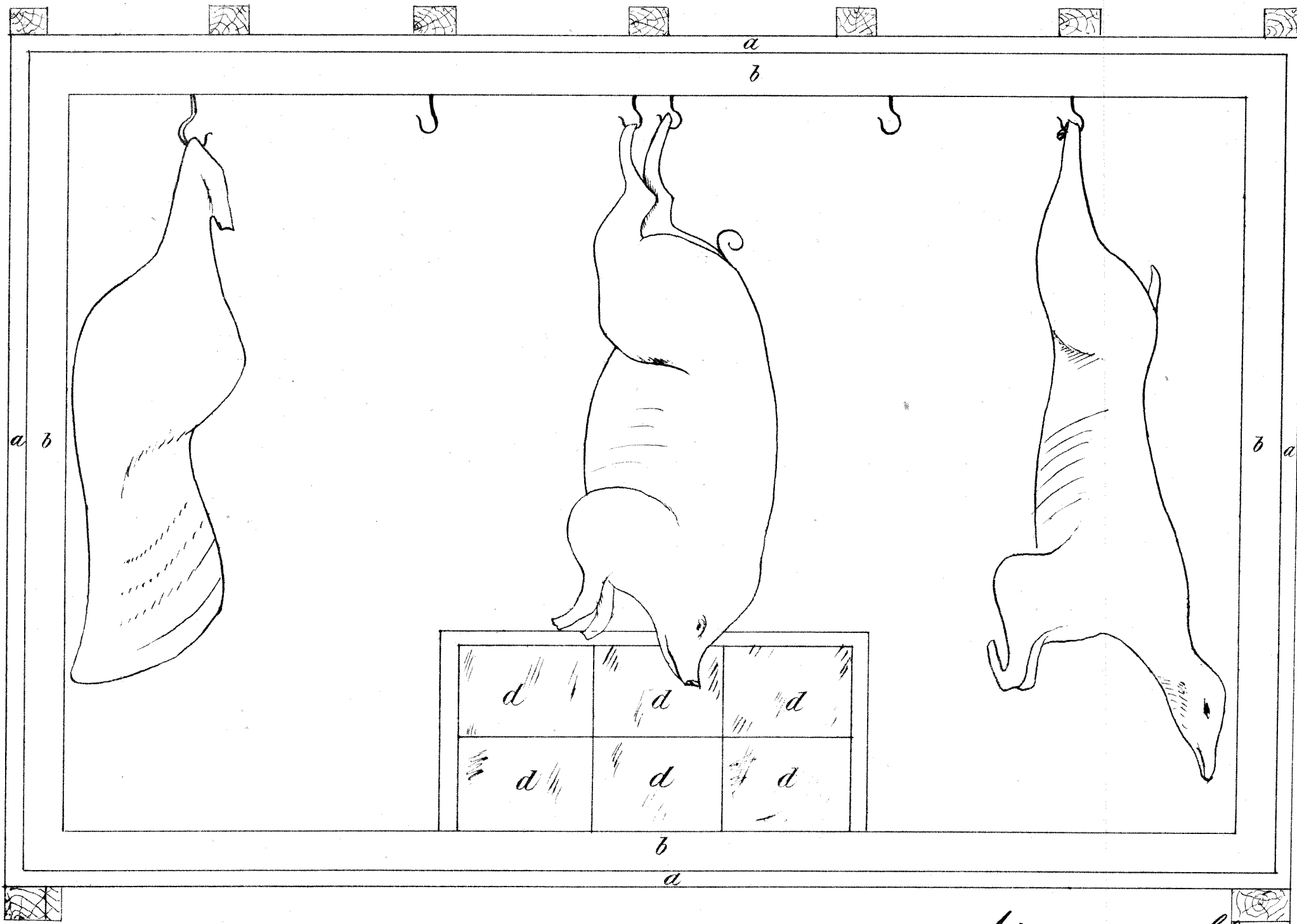
Sydney, 17 November, 1876.

The application of Mr. James Shaw for Letters of Registration for an "invention for preserving meat, &c.," having been referred back to us, with an amended specification, wherein he simply claims the padding or lining of any space with sheep's wool or cotton, in order to render it impervious to heat, we have the honor to report that with this amended specification we see no objection to Letters of Registration being granted.

We have, &c.,

J. SMITH.
CHAS. WATT.

THE PRINCIPAL UNDER SECRETARY.



- a. Outside of enclosed space.
- b. Nonconducting Material.
- c. The enclosed Space.
- d. Ice.

This is the Sheet of Drawings referred to in the annexed Letters of
 Registration granted to James Shaw, this day of December, 1876.

Hercules Robinson

James Shaw

[169]



A.D. 1876, 27th December. No. 559.

LETTERS OF REGISTRATION to Frederick Settle Barff, for Improvements in Preserving Animal and Vegetable Matters, and in the means and apparatus employed therein.

IMPROVEMENTS IN PRESERVING ANIMAL AND VEGETABLE MATTERS.

[Registered on the 29th day of December, 1876, in pursuance of the Act 16 Vic. No. 24.]

BY HIS EXCELLENCY SIR HERCULES GEORGE ROBERT ROBINSON, Knight Grand Cross of the Most Distinguished Order of Saint Michael and Saint George, Governor and Commander-in-Chief of the Colony of New South Wales and its Dependencies, and Vice-Admiral of the same.

TO ALL TO WHOM THESE PRESENTS SHALL COME, greeting :

WHEREAS FREDERICK SETTLE BARFF, of Kilburn, in the county of Middlesex, England, Professor of Chemistry, hath by his Petition humbly represented to me that he is the author or designer of a certain invention or improvement in manufactures, that is to say, of an invention for "Improvements in Preserving Animal and Vegetable Matters, and in the means and apparatus employed therein," which is more particularly described in the specification which is hereunto annexed ; and that he, the said Petitioner, hath deposited with the Honorable the Treasurer of the Colony of New South Wales the sum of Twenty Pounds sterling, for defraying the expense of granting these Letters of Registration, as required by the Act of Council, sixteenth Victoria, number twenty-four ; and hath humbly prayed that I would be pleased to grant Letters of Registration, whereby the exclusive enjoyment and advantage of the said invention or improvement might be secured to him for a period of fourteen years : And I, being willing to give encouragement to all inventions and improvements in the arts or manufactures which may be for the public good, and having received a report favourable to the prayer of the said Petition, from competent persons appointed by me to examine and consider the matters stated therein and to report thereon for my information, am pleased, with the advice of the Executive Council, and in exercise of the power and authority given to me by the said Act of Council, to grant, and do by these Letters of Registration grant unto the said Frederick Settle Barff, his executors, administrators, and assigns, the exclusive enjoyment and advantage of the said invention or improvement, for and during the term of fourteen years from the date hereof : to have, hold, and exercise unto the said Frederick Settle Barff, his executors, administrators, and assigns, the exclusive enjoyment and advantage thereof, for and during and until the full end and term of fourteen years from the date of these presents next and immediately ensuing, and fully to be complete and ended : Provided always, that if the said Frederick Settle Barff shall not, within three days after the granting of these Letters of Registration, register the same in the proper office in the Supreme Court at Sydney, in the said Colony of New South Wales, then these Letters of Registration, and all advantages whatsoever hereby granted, shall cease and become void.

In witness whereof, I have hereunto set my sign manual, and have caused the present Letters of Registration to be sealed with the seal of the said Colony of New South Wales, at Government House, Sydney, in New South Wales, this twenty-seventh day of December, in the year of our Lord one thousand eight hundred and seventy-six.

(L.S.)

HERCULES ROBINSON.

Improvements in Preserving Animal and Vegetable Matters.

SPECIFICATION of FREDERICK SETTLE BARFF, of Kilburn, in the county of Middlesex, England, Professor of Chemistry, for "Improvements in Preserving Animal and Vegetable Matters, and in the means and apparatus employed therein."

THIS invention relates to the preservation of animal and vegetable substances, whether for use as food or for other purposes, so as to preserve the food, meat, fish, vegetables, and fruit, either in transit from foreign countries to this country, or *vice versa*, or from one country to another. It further relates to the preservation for a longer or shorter time of such animal and vegetable substances as are usually contained in butchers', fishmongers', poulterers', fruiterers', and greengrocers' shops; also to the preservation of such or similar substances either in private houses, in suitable safes, or in public institutions; and also to the preservation of vegetable and animal substances or products when employed for other purposes than food, such, for example, as flowers for sale or for decorative purposes; also, skins, either in the dry or the wet state; also specimens in zoological or in pathological museums, or in botanical collections,—and consists in the employment and use of chemical compounds, or of elements which are able to absorb oxygen gas when existing in the atmosphere, or when in a free state, such, for example, as soluble metallic salts or compounds, which are capable of absorbing oxygen or salts of metallic or other oxides, which, when decomposed, set free an oxide which is capable of assuming a higher state of oxidation, and in consequence readily taking up the oxygen from the air, or when existing in a free state, that is to say, for example, proto-salts of metals, such as the proto-chloride of manganese, also such salts as, for example, pyrogallate of potash or of soda, which, as is well known, readily absorbs oxygen; also of elements such as sodium or potassium, being likewise capable of absorbing oxygen. Any or all of these salts or compounds I employ either in solution or otherwise.

When I employ the proto or lower salts or lower oxygen compounds of the metals, as, for example, in the case of manganese, I prefer to employ the hydrated protoxide or lower oxides of the same, either alone or in conjunction with an absorbing material, so that such oxide or oxides may be more readily capable of absorbing oxygen.

When I employ other metallic salts or compounds, such, for example, as the proto-sulphate of iron, or the protoxide obtained by means of a base therefrom, I employ them in conjunction with an absorbent material; and in order to effect this object I mix the metallic salt and precipitant, either in solution or in a solid condition, with a substance which shall act as a diluent, which has been before described as an absorbent, because by keeping the particles of metallic oxide as under it assists as an absorbent, and virtually acts as a diluent.

In order to obtain such before-mentioned protoxides or lower oxide, I prefer to precipitate such oxides by means of lime or of soda-lime from their salts, which lime or soda-lime I use in sufficient quantity to completely decompose the proto-salts employed; I prefer in every case to add an excess of precipitant. The same preservative effect may be obtained by the conservative maintaining materials in a state of agitation by mechanical means. I also use any other precipitant capable of effecting the liberation of the proto-oxides, or of the lower oxides, such, for example, as caustic soda or caustic potash, or hydrate of baryta, or carbonate of lime or of baryta, or mixtures of the same.

By the use of one or more of the before-mentioned substances or compounds, or mixtures of the same, either in solution or in a divided state, I absorb the oxygen contained in air-tight vessels in which the substances to be preserved are placed; and, moreover, in the case of cellular substances from the cells of which the residual gases do not at once escape on the absorption of the oxygen in the vessel containing them, I absorb the oxygen of the residual gases as it diffuses out, by using an excess of its absorbent, and until the absorbent is exhausted or has been oxidised any air entering the vessel will be deprived of its oxygen; and by means of a suitable apparatus attached to the containing vessel such ingress will be indicated, and thus give timely notice for the addition of a further supply of the absorbing substance, and also for rendering the vessel perfectly air-tight.

As diluents, I employ either bran or cork, or oak-bark or oak-sawdust, or any other vegetable substance containing tannic, gallic, or other analogous acids, as these when employed either alone or in conjunction with a solution of caustic soda or potash absorb oxygen, and these I use either alone or in conjunction with the before-mentioned metallic salts or compounds.

I thus avail myself of the absorbent action as before-mentioned of potassic and of sodic pyrogallates.

In carrying out this invention I prefer to produce and to effect the mixture of the preservative agents with the diluents in the vessel containing the substances or materials to be preserved. This I do by having a rake, the handle of which passes through an air-tight stuffing-box, and is connected with a vessel which can be so arranged as to be capable of inversion, and at the same time permitting the impregnation of the oak or cork bark without the admission of air, or other methods may be adopted.

Having now described and particularly ascertained the nature of my said invention, and the manner in which the same is or may be used or carried into effect, I would observe, in conclusion, that what I consider to be novel and original, and therefore claim as the invention, is—

First. The employment for effecting the preservation of animal and of vegetable matters of the lower oxides of manganese, such oxide or oxides being capable of absorbing oxygen and becoming converted into higher oxides.

Second. The employment for effecting the preservation of animal and of vegetable substances of the lower oxides of manganese and of iron, in conjunction with a diluent, in the manner hereinbefore described.

Third. The employment for effecting the preservation of animal or of vegetable matters of organic salts or compounds which are capable of absorbing oxygen, such, for example, as the tannates, gallates, pyrogallates, or analogous bodies, either employed alone or when contained in vegetable or other matter.

A.D. 1876. No. 559.

171

Improvements in Preserving Animal and Vegetable Matters.

In witness whereof, I, the said Frederick Settle Barff, have to this my specification set my hand and seal, the second day of August, one thousand eight hundred and seventy-six.

Signed and sealed in the presence of—

FREDERICK SETTLE BARFF. (L.S.)

CHAS. MILLS,

47, Lincoln's Inn Fields, London.

This is the specification referred to in the annexed Letters of Registration, granted to Frederick Settle Barff, this day of December, 1876.

HERCULES ROBINSON.

REPORT.

SIR,

Sydney, 8 November, 1876.

The application of Mr. Frederick Settle Barff for Letters of Registration for "Improvements in Preserving Animal and Vegetable Matters, and in the means and apparatus employed therein," having been referred to us, we have examined the specification accompanying the same, and have now the honor to report that we see no objection to the issue of Letters of Registration as prayed for.

We have, &c.,

J. SMITH.

CHAS. WATT.

THE PRINCIPAL UNDER SECRETARY.

[173.]



A.D. 1876, 27th December. No. 560.

IMPROVEMENTS IN THE MANUFACTURE OF GAS FOR BURNING.

LETTERS OF REGISTRATION to Thomas Boverton Redwood, for Improvements in the manufacture of Gas for burning.

[Registered on the 29th day of December, 1876, in pursuance of the Act 16 Vic. No. 24.]

BY HIS EXCELLENCY SIR HERCULES GEORGE ROBERT ROBINSON, Knight Grand Cross of the Most Distinguished Order of Saint Michael and Saint George, Governor and Commander-in-Chief of the Colony of New South Wales and its Dependencies, and Vice-Admiral of the same.

TO ALL TO WHOM THESE PRESENTS SHALL COME, greeting :

WHEREAS THOMAS BOVERTON REDWOOD, of Fairlawn, Finchley, in the county of Middlesex, England, chemist, hath by his Petition humbly represented to me that he is the author or designer of a certain invention or improvement in manufactures, that is to say, of an invention for "Improvements in the manufacture of Gas for burning," which is more particularly described in the specification which is hereunto annexed; and that he, the said Petitioner, hath deposited with the Honorable the Treasurer of the said Colony of New South Wales the sum of Twenty Pounds sterling, for defraying the expense of granting these Letters of Registration, as required by the Act of Council, sixteenth Victoria, number twenty-four; and hath humbly prayed that I would be pleased to grant Letters of Registration, whereby the exclusive enjoyment and advantage of the said invention or improvement might be secured to him for a period of fourteen years: And I, being willing to give encouragement to all inventions and improvements in the arts or manufactures which may be for the public good, and having received a report favourable to the prayer of the said Petition, from competent persons appointed by me to examine and consider the matters stated therein, and to report thereon for my information, am pleased, with the advice of the Executive Council, and in exercise of the power and authority given to me by the said Act of Council, to grant, and do by these Letters of Registration grant unto the said Thomas Boverton Redwood, his executors, administrators, and assigns, the exclusive enjoyment and advantage of the said invention or improvement, for and during the term of fourteen years from the date hereof: to have, hold, and exercise unto the said Thomas Boverton Redwood, his executors, administrators, and assigns, the exclusive enjoyment and advantage thereof, for and during and unto the full end and term of fourteen years from the date of these presents next and immediately ensuing, and fully to be complete and ended: Provided always, that if the said Thomas Boverton Redwood shall not, within three days after the granting of these Letters of Registration, register the same in the proper office in the Supreme Court at Sydney, in the said Colony of New South Wales, then these Letters of Registration, and all advantages whatsoever hereby granted, shall cease and become void.

In witness whereof, I have hereunto set my sign manual, and have caused the present Letters of Registration to be sealed with the seal of the said Colony of New South Wales, at Government House, Sydney, in New South Wales, this twenty-seventh day of December, in the year of our Lord one thousand eight hundred and seventy-six.

(L.S.)

HERCULES ROBINSON.

Improvements in the manufacture of Gas for burning.

TO ALL TO WHOM IT MAY CONCERN: Be it known that I, THOMAS BOVERTON REDWOOD, of Fairlawn, Finchley, in the county of Middlesex, England, have invented or discovered new and useful "Improvements in the manufacture of Gas for burning"; and I, the said Thomas Boverton Redwood, do hereby declare the nature of the said invention, and in what manner the same is to be performed, to be particularly described and ascertained in and by the following statement thereof, that is to say:—

The first part of this invention has for its object the production of a permanent gas, rich in carbon, from petroleum and other hydrocarbon oils, including the oils obtained from coal, shale, peat, and other sources. As met with in commerce, these oils often contain solid hydrocarbon, such as paraffine; they are mixtures in various proportions of several proximate constituents, differing in density and volatility, but consisting for the most part of carbon and hydrogen, in proportions which in some of their constituents accord with, and in others differ but slightly from, those in which the same elements exist in olefiant gas or other permanent hydrocarbon gases, which are the most valuable light producing constituents of the richest and best description of coal-gas, or of gas suitable for burning as a source of light. I produce from this class of oils a permanent gas, not a mere vapour, which gas is rich in carbon, and well suited for burning as a source of light when it has been diluted with other combustible gases that are less rich in carbon, or that do not themselves burn with a sufficiently luminous flame.

It has long been known that by the application of heat the hydrocarbon oils such as I have alluded to may be made to yield a gas tolerably rich in carbon, but hitherto the processes adopted for that purpose have not afforded uniform and satisfactory results, the gas produced being generally deprived of part, and sometimes of the principal part, of the carbon contained in the oils by the action of the heat applied in the process.

The principal difficulty experienced in getting a good permanent gas, rich in carbon, from hydrocarbon oils has been that of so regulating and applying the heat as to ensure the conversion of the oils or their vapours into permanent gas without at the same time causing much of the carbon, which is the true source of light, during the combustion of gas to be deposited in a solid state. It is necessary to apply a temperature above that of visible redness in order to change the vapour of the oil into permanent gas, and there appears to be but a small range of temperatures through which that change can be effected in contact with most solid substances without converting part of the oil into a species of tar, and at the same time causing a deposition of solid carbon from the gaseous product.

Now my invention consists of a method or methods by which the liquid hydrocarbons alluded to, or their gaseous products, may be subjected to a higher temperature than it has hitherto been found practicable to apply to them without causing a deposition of solid carbon, and the range of temperatures at which the conversion of the oils into permanent gas without loss of carbon takes place is thus enlarged, so that a more uniform and satisfactory result may be practicably obtained, and an important economy effected.

I have found that the liquid hydrocarbons or their vapours when heated in contact with metallic copper, or an alloy of copper, such as brass or gun-metal, will bear the application of a higher temperature than can be applied to them by contact with other substances without depositing solid carbon, and on this fact partly my improved processes for the production of gas for burning are founded.

I have also found that if the liquid hydrocarbons or their vapours be introduced into a hot chamber together with a permanent gas, such as water-gas, which is either previously or immediately heated to a temperature which in a metal or other solid body would be represented as that of bright redness, the vapours of the hydrocarbon oils may under these circumstances be subjected, in contact with copper or an alloy of copper, to a cherry-red heat, and will thus be more completely and satisfactorily converted into a permanent gas than would otherwise be the case.

My improved processes for the manufacture of gas for burning are founded upon the foregoing facts.

I produce a permanent hydrocarbon gas, rich in carbon, from petroleum or other liquid or solid hydrocarbon, such as I have described, by subjecting the vapours of such hydrocarbons to a bright red heat, applied through the medium of copper, or an alloy of copper, such as brass; and this is effected by introducing the hydrocarbon oil or its vapour gradually and continuously as the conversion takes place into a red hot cylinder or converting chamber, composed of copper, or an alloy consisting principally of copper filled with scraps or turnings, or wire, or wire-gauze of the same metal, so arranged as to conduct the heat as equally as possible to every part of the chamber, and to present as large a heating surface as possible to the vapour. In this way a temperature of bright redness may be applied without causing any material deposition of carbon from the gas produced, which will consist largely or principally of olefiant gas, or of other gas or gases rich in carbon, and which may be diluted with water-gas or other gas which is not rich in carbon, to render it suitable for use as a gas for burning as a source of light. But although the vapours of liquid or solid hydrocarbons such as I have described may, if due care be exercised, be converted into permanent gas with little or no deposition of carbon by the method already described, I prefer to effect the conversion with the intervention of water-gas by the following method: The water-gas I use is obtained by the well-known process of passing superheated steam over the surface of incandescent carbon at a high temperature, when a mixture of hydrogen gas and carbonic oxide is produced, together with some carbonic acid, which is removed by means of slaked lime before using the gas. The purified water-gas so produced is introduced simultaneously with the hydrocarbon oil, or its vapour, into the cylinder or converting chamber, constructed, filled, and arranged as already described in the process for making gas without the intervention of water-gas; but in this case the cylinder and its contents may be maintained at a higher temperature, usually called a cherry-red heat; and in order to prevent too great a reduction of temperature by the introduction of the water-gas, I convey this gas through red hot tubes before it enters the cylinder or converting chamber. The proportion of water-gas used in this process in relation to the hydrocarbon oils may be regulated by suitable valves or taps, so as to yield a mixed gas having an illuminating power such as may be required for burning as a source of light; or otherwise, it may be further mixed with a richer gas made without or with a smaller quantity of water-gas, or with water-gas itself.

The

Improvements in the manufacture of Gas for burning.

The gas produced by this or by the previously described method should be passed through a condenser or scrubber, or both, for the purpose of removing the visible vapour of unconverted oil, a portion of which will be carried over in the process; and as this unconverted oil may constitute a material part of the oil used in the process, it is important that efficient means should be adopted for recovering it, so that it may be reintroduced into the hot cylinder, and finally converted into permanent gas. I have found that the oily particles, the presence of which gives to the gas the character of visible vapour, are retained in suspension in the gas, and carried to a considerable distance while the gas is rapidly flowing through the pipes, but they soon subside when the gas is at rest, as occurs in the gasometer.

It will be found advantageous as a means of promoting the separation and collection of the suspended oil particles after passing the gas through the ordinary tubular condensers, such as are used at gas-works, to allow it to pass in small jets through water or petroleum, using in the latter case one of the less volatile varieties of petroleum, and avoiding the renewal of the water or petroleum unnecessarily, as these liquids when used in excess, and before they have become saturated by contact with the gas, would dissolve out some of the most valuable constituents of the gas.

After having deprived the gas of suspended particles of unconverted oil, it should be passed through a dry lime purifier, to ensure the absence of carbonic acid; but no other purification will be necessary, except when a crude hydrocarbon oil, which may contain a little sulphur, has been employed in the process, in which case the lime purifier should have a layer of oxide of iron at the bottom for the removal of sulphuretted hydrogen.

The general arrangement of apparatus required for conducting the process by either of the methods described need not differ much, excepting in its greater simplicity and much smaller extent from that adopted in the manufacture of coal-gas. The water-gas may be made by passing superheated steam through a cylinder filled with charcoal, or other form of carbon, such as coke, breeze, or peat charcoal, kept at a full red heat. An ordinary gas-retort may be used for this purpose, but there is some advantage in having the cylinder set in a vertical position, and the steam made to enter at the bottom while the water-gas passes off at the top. If the carbonaceous matter used should contain any sulphur, a little sulphuretted hydrogen would be formed, which, as well as any carbonic acid that may be present, must be removed from the water-gas; and for this purpose it will be desirable to have a layer of oxide of iron, such as is commonly used in gas purification, at the bottom of the lime purifier, by which the carbonic acid is to be taken out. The water-gas thus produced and purified may be used at once, or stored in a gasometer for use.

The conversion of hydrocarbon oils into permanent gas, either with or without the intervention of water-gas, may also be effected in a gas-retort, if this be lined inside with copper, or an alloy of copper, filled with scraps, turnings, wire, or wire-gauze of the same metal, and provided with the means of introducing a regulated supply of the hydrocarbon oils, and, when required, of water-gas. The exit pipe by which the gas is conveyed away from the hot cylinder or retort, to the extent to which such pipe is exposed to a strong heat, should be of the same material as the cylinder or its inner surface, or otherwise some of the gases richest in carbon may be decomposed when subjected to a high temperature and deprived of part of their carbon, and to a corresponding extent of their light producing power.

If the arrangements of existing gas-works be not utilised or adopted, cylinders may be used of any convenient size or form, in which, however, it is desirable to provide for the means of heating them throughout to the required extent; and these cylinders may be either made entirely of copper, or an alloy of copper, or they may have an outside covering of other material to protect the metal within from the destructive effects of the fire.

When previously heated water-gas is used in the process, the fire by which the cylinder or converting chamber is heated may be made to heat pipes through which the water-gas is conveyed to the hot chamber, and it will be found advantageous for the preservation of these pipes that they should be embedded in and surrounded by powdered lime to prevent their oxidation and destruction from this cause.

In fitting up apparatus specially for the purpose of making gas by the processes herein described, it will be found advantageous to have the condensing and oil separating arrangements at a higher level than that of the converting cylinders, so that the oil that is condensed and separated from the gas after leaving the converting cylinder may be brought back to the cylinder by its own gravity.

What I claim as respects this, the first part of my invention, is the manufacture of a permanent gas, rich in carbon, by bringing the vapour of a suitable hydrocarbon into contact with copper, or an alloy of copper, kept in a highly heated state, and arranged so as to expose a large extent of surface, substantially as described.

I also claim the manufacture of a permanent gas, rich in carbon, by bringing the vapour of a suitable hydrocarbon, together with water-gas, into contact with copper, or an alloy of copper, kept in a highly heated state, and arranged so as to expose a large extent of surface, substantially as described.

The second part of this invention has for its object to improve the quality and increase the quantity of gas obtained by distilling coal in retorts, as now usual. For this purpose I cause the gas as it issues from a retort, or whilst it contains a portion at least of the condensable vapour which is generated together with the gas, to come into contact with heated copper, or an alloy of copper, so arranged as to expose a large extent of surface to the gas. I prefer to pass the gas immediately as it issues from the hydraulic main through a heated retort, packed full of copper tubes, say of an inch diameter, so that an extended heated surface may be exposed to the gas without materially obstructing its passage. I prefer that the tubes should be short lengths, say 1 foot; and in packing them in the retort I take care that the different lengths do not butt truly together, but are arranged so as to subdivide the current of gas as far as practicable.

By this means the volume of the gas is increased, and its quality, both as regards illuminating power and also freedom from an undue quantity of sulphur in other form than that of sulphuretted hydrogen, is at the same time improved.

The

Improvements in the manufacture of Gas for burning.

The converting retort should be heated externally by a fire, by which it can be kept at a cherry-red heat, and the gas, after passing through the converter, should be conveyed to the condensers and purifiers through a pipe of ample size, so that it may pass off freely without back pressure.

In cases where it may be desired to get a larger quantity of tar than would be produced by operating in the foregoing way, the gas may be carried not only through the hydraulic main, but also through the condensers before it passes to the converter; but in this or any case in which most of the aqueous vapour, as well as tar, would be separated from the gas before it reaches the converter, it will be desirable to introduce water, or the vapour of water, with the gas into the converter, which may be done in any convenient way, to the extent of about a pint of water, or an equivalent quantity of steam, for every thousand cubic feet of gas.

When the coal employed in the process yields a gas of very high illuminating power, such as cannel coal, I cause a stream of water-gas to pass through the retort in which the coal is distilled, and then lead the combined products through the converter arranged and heated as already described.

What I claim in respect to the second part of my invention is—

First. Causing gas obtained by distilling coal, together with vapours generated with it, to come in contact with copper, or an alloy of copper, kept in a highly heated state, and arranged so as to expose a large extent of surface, substantially as described.

Second. Causing a stream of water-gas to pass through retorts in which coal is being distilled, and leading the combined products into contact with copper, or an alloy of copper, kept in a highly heated state, and arranged so as to expose a large extent of surface, substantially as described.

In witness whereof, I, the said Thomas Boverton Redwood, have hereunto set my hand and seal, this 24th day of July, in the year of our Lord one thousand eight hundred and seventy-six.

T. BOVERTON REDWOOD. (L.S.)

This is the specification referred to in the annexed Letters of Registration, granted to Thomas Boverton Redwood, this day of December, 1876.

HERCULES ROBINSON.

REPORT.

SIR,

The application of Mr. Thomas B. Redwood for Letters of Registration for "Improvements in the manufacture of Gas for burning" having been referred to us, we have examined the specification accompanying the same, and have now the honor to report that we see no objection to the issue of Letters of Registration as prayed for.

Sydney, 8 November, 1876.

We have &c.,

J. SMITH.

CHAS. WATT.

THE PRINCIPAL UNDER SECRETARY.

[177]



A.D. 1876, 27th December. No. 561.

**IMPROVEMENTS IN THE MANUFACTURE OF ILLUMINATING GAS, AND
IN THE APPARATUS EMPLOYED THEREFOR.**

LETTERS OF REGISTRATION to James Keith, for Improvements in the
Manufacture of Illuminating Gas, and in the Apparatus employed therefor.

[Registered on the 29th day of December, 1876, in pursuance of the Act 16 Vic. No. 24.]

BY HIS EXCELLENCY SIR HERCULES GEORGE ROBERT ROBINSON, Knight Grand Cross of the Most Distinguished Order of Saint Michael and Saint George, Governor and Commander-in-Chief of the Colony of New South Wales and its Dependencies, and Vice-Admiral of the same.

TO ALL TO WHOM THESE PRESENTS SHALL COME, greeting :

WHEREAS JAMES KEITH, of Arbroath, in the county of Forfar, North Britain, gas and water engineer, hath by his Petition humbly represented to me that he is the author or designer of a certain invention or improvement in manufactures, that is to say, of an invention for "Improvements in the manufacture of Illuminating Gas, and in the Apparatus employed therefor," which is more particularly described in the specification and sheet of drawings which are hereunto annexed; and that he, the said Petitioner, hath deposited with the Honorable the Treasurer of the said Colony of New South Wales the sum of Twenty Pounds sterling, for defraying the expense of granting these Letters of Registration, as required by the Act of Council sixteenth Victoria, number twenty-four; and hath humbly prayed that I would be pleased to grant Letters of Registration, whereby the exclusive enjoyment and advantage of the said invention or improvement might be secured to him for a period of fourteen years: And I, being willing to give encouragement to all inventions and improvements in the arts or manufactures which may be for the public good, and having received a report favourable to the prayer of the said Petition, from competent persons appointed by me to examine and consider the matters stated therein and to report thereon for my information, am pleased, with the advice of the Executive Council, and in exercise of the power and authority given to me by the said Act of Council, to grant, and do by these Letters of Registration grant unto the said James Keith, his executors, administrators, and assigns, the exclusive enjoyment and advantage of the said invention or improvement, for and during the term of fourteen years from the date hereof: to have, hold, and exercise, unto the said James Keith, his executors, administrators, and assigns, the exclusive enjoyment and advantage thereof, for and during and until the full end and term of fourteen years from the date of these presents next and immediately ensuing, and fully to be complete and ended: Provided always, that if the said James Keith shall not, within three days after the granting of these Letters of Registration, register the same in the proper office in the Supreme Court at Sydney, in the said Colony of New South Wales, then these Letters of Registration, and all advantages whatsoever hereby granted, shall cease and become void.

In witness whereof, I have hereunto set my sign manual, and have caused the present Letters of Registration to be sealed with the seal of the said Colony of New South Wales, at Government House, Sydney, in New South Wales, this twenty-seventh day of December, in the year of our Lord one thousand eight hundred and seventy-six.

(L.S.)

HERCULES ROBINSON.

Improvements in the Manufacture of Illuminating Gas, &c.

SPECIFICATION of JAMES KEITH, of Arbroath, in the county of Forfar, North Britain, gas and water engineer, for "Improvements in the manufacture of Illuminating Gas, and in the Apparatus employed therefor," hereunder detailed.

I, JAMES KEITH, of Arbroath, in the county of Forfar, North Britain, do hereby declare the nature of the said invention to be for "Improvements in the manufacture of Illuminating Gas, and in the Apparatus employed therefor."

The particulars are as follows:—

This invention relates to the manufacture of illuminating gas from crude mineral oils, such as shale, American petroleum, or other similar oils, whereby the gas is more thoroughly extracted from such oils than hitherto.

The apparatus employed in carrying out this invention consists of an improved arrangement of furnace, retort, "retort-setting," and "washer," constructed and connected as hereinafter described.

This furnace is of circular form, constructed of brickwork and fire-clay, and is provided with a heavy circular metal grate and water-pan of brick, built into the masonry beneath; and the fuel for the furnace is fed into it by means of a slanting shaft entering the furnace at the bottom side of the fire instead of at the top, in order to prevent the ingress of cold air, and consequent cooling of the retort or lining, as by this arrangement of the feeding-shaft any air getting in while the furnace door is open has to pass upwards through the whole body of the fire before it reaches the "retort-setting," by which time it has become sufficiently heated or burned in its passage through the fire.

This retort is made of metal of an equal thickness throughout, and is flat-bottomed, with circular or rounded sides and top, its outline being in the form of an inverted bowl. The retort may also be constructed, if desired, of fire-clay. It may have a horizontal perforated partition in the centre, dividing it into an upper and lower division, either or both of which may, when desired, be filled with coke or charcoal to give greater heating and distilling surface. Or otherwise, and by preference, the retort may have a flue or pipe division carried down through its centre, by which the flame and smoke pass directly through the centre of the retort, thus giving a double heating surface,—that is, a heating surface inside as well as outside of the retort. The flue or pipe arrangement through the centre of the retort divides it, as it were, into an upper and lower annular space or division, both of which, when desired, may be filled with coke or charcoal to give greater heating and distilling surface. Two slanting shafts or door-pipes are cast one on each side of the retort—one sloping into the lower part or division, and the other from off the upper part of the said annular internal distilling space. When the retort is properly heated the oil is run in in a thin continuous stream from a contiguous metal cistern through a "pipe-trap" into the lower shaft, and passes off in the form of gas through the upper shaft into the upright pipe, where the gas gets "fixed" and partly condensed, after which it passes along the horizontal pipe, and finally enters the washer, from whence it may be passed direct by suitable connections into the gas-holder without purification; or, if desired, for greater purity, it may be passed through an intermediate vessel of any desired form containing a layer of coke or charcoal for the purpose of clarifying it. Before entering the gas-holder the gas can be passed through any form of atmospheric or water condenser or purifier as usual, if desirable. This retort can very easily be cleaned being provided with suitable doors, clamps, and screws fixed on the extremities of the slanting branches or shafts before referred to; doors are also arranged round the "setting" of the retort to enable the attendant to watch the heating operation. The retort being itself flat-bottomed rests upon an arch with flat roof, thus insuring great durability, as in no part is the heat of the furnace allowed to impinge directly upon the retort.

The "washer" is of a circular or cylindrical form, with flat top and bottom, and is composed of metal, or it may also be made in any other form suitable. It is provided with both an overflow and discharge pipe, and is also fitted with a cleaning out door and plugs on top. The connections or pipes between the retort and washer are fixed, and pass from the retort directly through the top of the washer, no "luting" or movable connections being required.

The retort, furnace, and "setting" are enclosed in a metal casing, and are surmounted or covered with a metal top plate, through which the smoke-pipe passes to the chimney or other exit. This arrangement of apparatus is peculiarly adapted for the manufacture of gas on board ship, and when so used the only alteration necessary is the application of a swinging instead of a fixed washer.

It will be obvious that when desired a series of the different apparatus herein described may be arranged side by side where increased production of gas is desired. One or more of these can be utilised for making hydrogen by passing a thin stream of water or steam through them while hot, the hydrogen being then passed with the oil through other producers alongside, in a usual manner, or a stream of water or steam can be run into one producer along with the oil, together or separately, to give the same result.

And in order that the nature and mode of performing my said invention may be properly understood, I now proceed to describe the several figures on the sheet of drawings which I have hereunto appended for that purpose—the same reference letters indicating the same parts in all the figures where seen.

The apparatus employed in carrying out the said invention consists of a new or improved construction, arrangement, and combination of furnace, retort, retort-setting, and washer, all as hereinafter more particularly described.

Figure 1 is a sectional elevation of the gas producer and washer; figure 2 is a plan of a duplex arrangement of the same at right angles to figure 1, showing the first producer in transverse section of one construction and arrangement of the parts of my new or improved apparatus, with its connecting pipes complete, for producing or distilling, and "washing" or cleaning, gas from the said crude mineral oils for illuminating purposes, all illustrative of and in accordance with the nature and objects of my said invention.

Figures 3 and 4 are, respectively, a transverse vertical section and a horizontal section of the gas producer and furnace part—the former taken through the exhaust pipe and damper and feeding furnace mouth, and the latter on the line 1—1 in figure 1, to show the construction of the arch and flat circular fire-brick part above the furnace for the retort to rest on, and the openings in the same for the flame and heated products of combustion to pass up through.

The

Improvements in the Manufacture of Illuminating Gas, &c.

The furnace H is of a circular form, constructed of brickwork and fire-clay bricks, *s*, and is provided with a circular cast-iron grate or bars, J, and water-pan or recess of brick, K, built into the masonry beneath, which keeps the ash-pit cool, and prevents the fire-grate or bars from being burned, shown at figures 1 and 3; the furnace H being surmounted by a cruciform brick arch, I, with circular flat part at I', carrying the retort resting on them, and having openings, H', through or between the arches for the heated products of combustion to pass up into the annular space or chamber R round the retort A. The fuel for the furnace is fed into it by means of the slanting shaft or mouth *p* entering the furnace H at the bottom side of the fire, as shown in section figure 3, in order to prevent the ingress of cold air, and consequent cooling of the retort or lining, as by this arrangement of the feeding shaft any air getting in while the furnace door *o* is open has to pass upwards through the whole body of the fire before it reaches the retort-setting, by which time it has become either sufficiently heated or burned in its passage through the fire to assist combustion.

The retort A is preferably made of cast-iron, as shown (but it may be made of other metal, or of fire-clay, or other suitable material), of an equal thickness throughout, to provide for the contraction and expansion of metal, and is flat-bottomed, with circular or rounded sides and top, as seen in figure 3, its outline being in the form of an inverted bowl. The retort A has a flue or pipe duct, C, carried down through its centre, by which the heating flame and smoke pass directly through the centre of the retort, and out by the lateral exit continuation or duct C' and mouth-piece E, fitted with the improved key-damper S, actuated by the handle S' on its outer end or lid, as seen particularly in figure 3, thus giving a double heating surface,—that is, a heating surface inside as well as outside of the retort. Two slanting shafts or door-pipes are cast on each side of the retort—the one marked B for charging the material to be distilled into the lower part of the retort, and the other, marked D, for drawing off the gases from the upper part of the retort, as seen particularly in figure 1.

When the retort A is properly heated, the oil which is contained in the metal cistern *i* is run in by the pipe and valve *jj'* to the filler *k*, and through the siphon trap pipe *l* into the mouth of the retort shaft B at L, and passes off around the hot flue division C in the form of gas up through the shaft or outlet duct D into the upright pipe P, where the gas gets "fixed" and partly condensed, after which it passes along the pipe V, and finally enters the washer Z at X, where any tarry matter held in solution is washed out of it. The gas now passes off thoroughly pure and cool into the gas-holder direct by the pipe *z*, shown in figures 1 and 2. This oil-gas requires no purification, but, if desired, it may be passed through an intermediate vessel before entering the gas-holder containing a layer of coke or charcoal for the purpose of clarifying the gas still more; or otherwise, before entering the gas-holder it can be passed through any ordinary form of atmospheric or water condenser or purifier as usual, if found desirable.

In making gas from the said mineral oils with this retort, A, no charging or drawing in the ordinary sense is required, there being little or no residue; but at considerable intervals after making the gas the retort can very easily be cleaned out through the doors M and O, provided for that purpose at the extremity of each shaft, B and D; and improved movable clamps and screws, *g* and *h*, are also fixed on the mouth-pieces B' and D' of the slanting branches or shafts B and D for properly fastening the doors M and O, which may be hung on pins in front, at *g'*, the joints of which are made gas-tight by luting with a mixture of fire-clay and salt, or other cement suitable for that purpose. Doors, *n, n*, are also arranged in the setting *s*, or flue R, round the retort to enable the attendant to watch and regulate the heating operation.

The retort A being itself flat-bottomed rests upon the arch I with flat roof, I', as shown in section and plan, figures 1, 3, and 4, the pieces of fire-brick marked I' fitting into spaces in the arch I, to form the round central part, which thoroughly protects the bottom of the retort A. This mode of setting insures great durability, as in no part is the heat of the furnace allowed to impinge directly upon the retort, so that its bottom cannot get burned or out of shape, and the arched or angled part K' of the heating chamber R round it reverberates the flame or heat back on to the upper surface of the retort; and this heating chamber may be covered in by a central portable fire-clay, tile, or brick door, for the easy cleaning out of this chamber, R; and the whole may be made of specially sized and numbered fire-clay bricks and blocks for easy transit and fitting up in foreign countries, as in figures 3 and 4.

The washer Z is of a circular or cylindrical form, with flat top, Z', and bottom, Z'', and is composed of metal, and provided with both an overflow pipe, *a*, and discharge pipe, *b*, and cap, *b'*, and is fitted with a cleaning out door, *f*, and plugs, *d'*, in the pipe *a*. A cooler, *c*, is fixed on the top of the washer around the pipe V, and is kept full of water up to the level line *d* and top of the overflow pipe Y, which acts as a filler to pour or run in cold water occasionally into the washer Z, the lower end of the pipe Y dipping down under the level of the water-line *e* in the washer Z. The washer may also be made in any other suitable form.

The connections or pipes P and V between the retort A and washer Z are fixtures, and made extra large to prevent chokage, and pass from the top of the shaft D directly through the top of the washer Z, to which the pipe V X is fixed by the flange forming the bottom of the cooler *c*, no lutings or movable joints or connections being required. These pipes or connections are furnished with movable doors and clamps, U and W, for cleaning out purposes.

The retort, furnace, and setting are enclosed in a metal casing, *v*, and covered in with a metal top plate, N. The smoke-pipe or chimney T is fitted by a spigot or metal connection at F, of the branch or mouth-piece E, the connection of the retort flue with this metal branch, E, being at C', and is formed inside the fire-brick lining *s*. A hollow cylindrical damper, S, is fitted inside the branch connection E, like the key of a cock, the flame and smoke as it were coming up the inside of the key, so that by simply turning the handle S', fitted on the outside or end of the damper S, the draught is either shut off or put on as required, giving great power of controlling this, and, as a consequence, the regulation of the heat of the retort. These furnaces, H, will burn either coke, coal, charcoal, wood, or any other convenient fuel that will give flame, burn, or raise heat for heating the retorts. This combined arrangement of apparatus is peculiarly adapted for the manufacture of gas on board ship, and when so used the only alteration required is the hanging of the outer vessel or case of the washer containing the water on a set of "jimbles," in the same manner as a ship's compass or lamp, so that the water would always maintain or keep the same level above the lower end of the dip-pipe, V X, notwithstanding the rolling of the ship.

For

Improvements in the Manufacture of Illuminating Gas, &c.

For transportation or other special purposes these gas producers can be made, built, and bolted together with tie-rods completely self-contained, compact, and portable, ready for setting down complete when necessary or desirable; and it will be obvious that when desired a series of the different apparatus hereinbefore described may be arranged side by side when increased production of gas is required, as shown in figure 2, connected to the same pipe, *t'*, leading to the gas-holder Q. One or more of these producers can also be utilised for making hydrogen, by passing a thin stream of water or steam through them while hot, the hydrogen being then passed with the oil through other producers alongside, in the usual manner; or a stream of water or steam can be run into producers direct along with the oil, together or separately, to give the same result. The two gases thus being thoroughly and chemically mixed by passing through the heated retort together, the product will be a more non-condensable gas.

Although the retort A, with its slanting shafts, B and D, and flue, C, C', have been more particularly described for the production of illuminating gas from crude mineral oils, it is to be understood, and will be apparent to the practical gas engineer, that it is equally applicable for the production of gas from coal, shale, or other bituminous substances, with slight modifications, to admit of the charging of such material, and the withdrawal of the coke, ash, or other residues, in which case the retorts may be made of various sizes, to suit the particular mineral or material being distilled in them.

Having now described the nature of my said invention, and the manner in which the same is to be performed, I have to state that I do not restrict myself to the precise details herein described or delineated; neither, on the other hand, do I desire to claim all the parts separately, or by themselves, of such retorts for the manufacture of illuminating gas; but what I believe to be novel and original, and therefore claim as the invention secured to me by the herein-before in part recited Letters Patent, is—

First: The production of illuminating gas from or by the distillation of crude mineral oils, either for use on land or on board ship, and in apparatus (or furnace, retort, retort-setting, and gas cleaner or washer combined) of the construction and arrangement all substantially in the new or improved manner herein described and shown in the accompanying drawings, or any mere modification thereof.

Second: The construction and use of furnaces and fittings for the heating of retorts for producing illuminating gas from crude mineral oils, or coal, shale, or other bituminous or oleaginous substances, all substantially as herein described and shown in the accompanying drawings, or any mere modification thereof.

Third: The construction and use of retorts with domed upper and flat-bottomed ends, with a central heating division flue, C, C', for the production of illuminating gas from crude mineral oils, or coal, shale, or other bituminous or oleaginous substances, all substantially as herein before described and shown in the accompanying drawings, or any mere modification thereof.

Fourth: The construction and use of a washer or cleaner for illuminating gas produced from crude mineral oils, substantially as hereinbefore described and shown in the accompanying drawings, or any mere modification thereof.

In witness whereof, I, the said James Keith, have hereunto set my hand and seal this ninth day of June, in the year of our Lord, 1876.

Witnesses—

JAMES PETERS.

WILLIAM MEIKLE.

JAMES KEITH. (L.S.)

This is the specification referred to in the annexed Letters of Registration, granted to James Keith, HERCULES ROBINSON.
this day of December, 1876.

REPORT.

SIR,

Sydney, 7 October, 1876.

The application of Mr. James Keith for Letters of Registration for "Improvements in the manufacture of Illuminating Gas, and in the Apparatus employed therefor," having been referred to us, we have examined the specification and drawings accompanying the same, and have now the honor to report thereon as follows:—

We see no objection to the issue of Letters of Registration for the apparatus as described and figured for the production of illuminating gas by the distillation of crude mineral oils, but the wording of the first "claim" in the specification is such as to set up a right to these oils themselves independently of the apparatus. This we think cannot be allowed; and it will be necessary to make such an alteration in the specification as to show that these oils are claimed only in conjunction with the apparatus described. The simple omission of the word "and," before the words "in apparatus," in the second line of the first "claim," would be sufficient to obviate an objection.

We have, &c.,

J. SMITH.

CHAS. WATT.

THE PRINCIPAL UNDER SECRETARY.

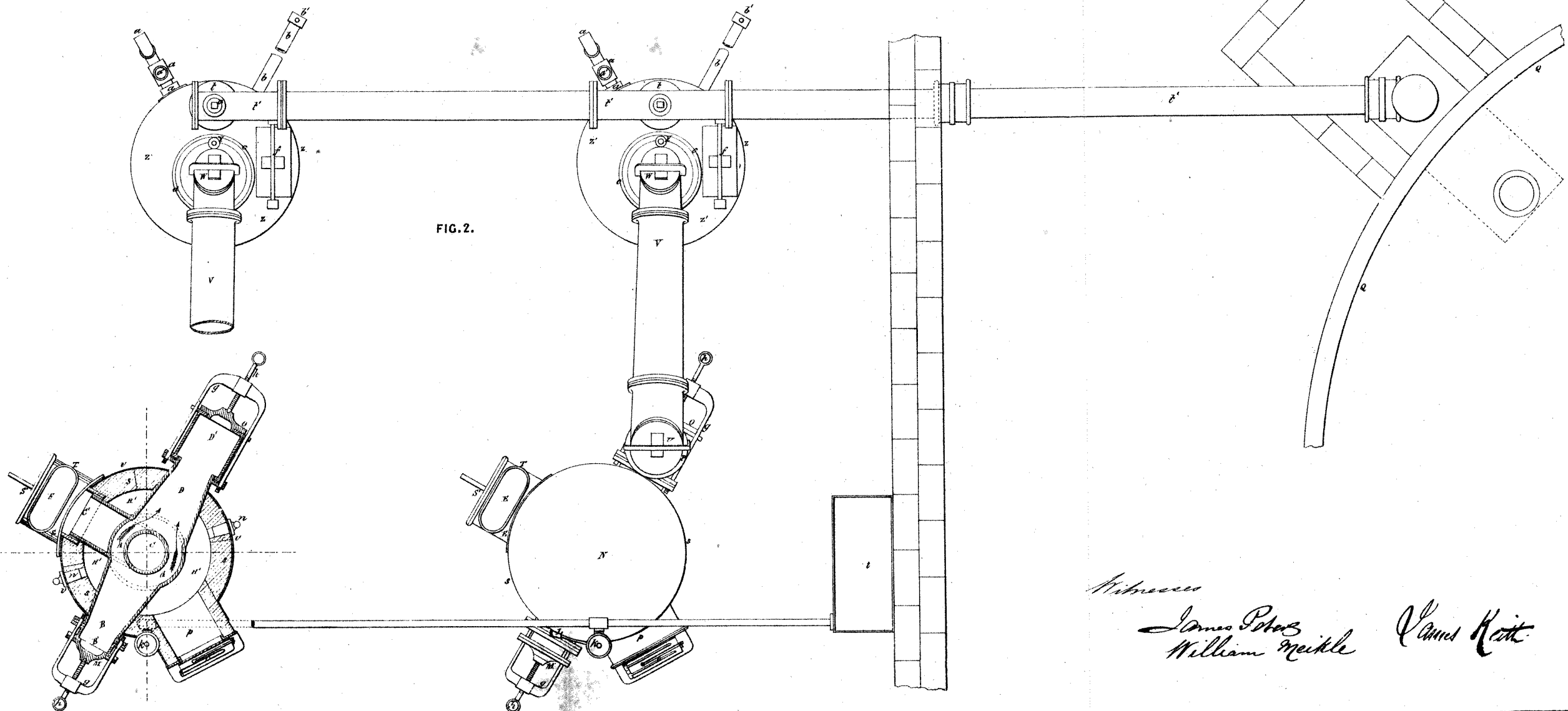
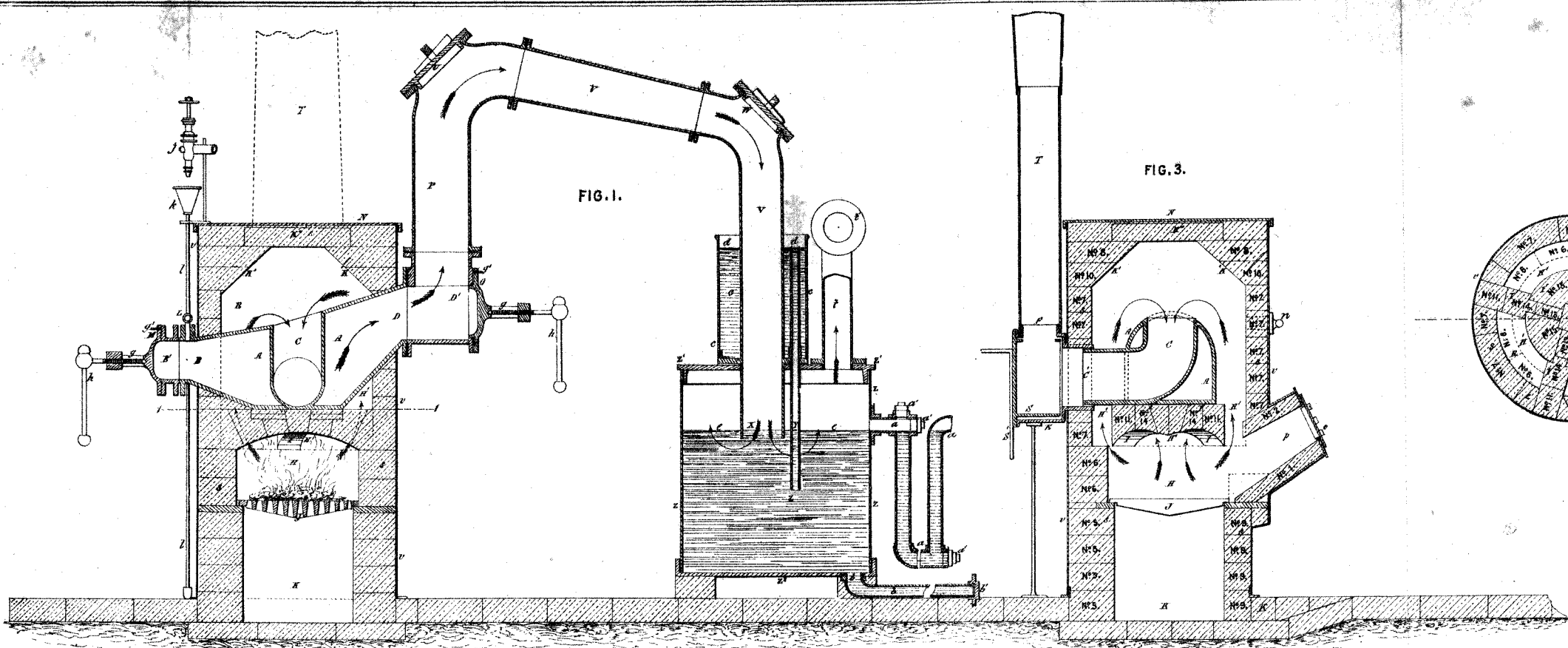
P.S.—The alteration indicated above is of such a simple and obvious character that to save trouble we have taken it upon ourselves to make it. With this alteration in the specification, we recommend that the prayer of the petition be granted.—J.S., C.W.

[Drawings—one sheet.]

No. 562.

[Assignment of No. 387. See page 131 of Return of 9 July, 1875.]

copy



Witness
James Peters *James Keith*
William Meikle

This is the Sheet of Drawings referred to in the annexed Letters of Registration granted to James Keith this December 1876.
Narcissus Robinson

1878.

LEGISLATIVE ASSEMBLY.
NEW SOUTH WALES.

PATENT BILL.

(MESSAGE No. 4.)

Ordered by the Legislative Assembly to be printed, 1 October, 1878.

HERCULES ROBINSON,
Governor.

Message No. 4.

In accordance with the 54th section of the Constitution Act, the Governor recommends for the consideration of the Legislative Assembly the expediency of making provision to meet the requisite expenses in connection with the Bill to amend the Law in reference to Patents of Inventions.

Government House,
Sydney, 30 September, 1878.

1878-9.

LEGISLATIVE ASSEMBLY.

NEW SOUTH WALES.

PATENTS.

(NUMBER ISSUED, &c.)

Ordered by the Legislative Assembly to be printed, 27 March, 1879.

RETURN to an *Order* made by the Honorable the Legislative Assembly of New South Wales, dated 27th February, 1879, That there be laid upon the Table of this House, a Return showing,—

- “(1.) The number of Patents issued during the last five years respectively.
“(2.) The sum of money paid for such Patents.
“(3.) The names of the persons among whom the fees have been distributed,
“and the amount paid to each person.”

(Mr. J. Davies, for Captain Onslow.)

LETTERS of Registration of Inventions.

Year.	Number issued.	Amount paid.
1874	39	£ 780
1875	40	800
1876	46	920
1877	60	1,200
1878	49	980
Totals	234	£4,680

AMOUNT paid to each person in the undermentioned years.

Names of persons among whom the fees have been distributed.	1874.	1875.	1876.	1877.	1878.	Totals.
	£ s. d.	£ s. d.	£ s. d.	£ s. d.	£ s. d.	£ s. d.
Attorney Generals—						
Joseph George Long Innes	195 0 0	25 0 0	220 0 0
William Bede Dalley	175 0 0	230 0 0	170 0 0	575 0 0
William Charles Windeyer.....	130 0 0	130 0 0
William John Foster	245 0 0	245 0 0
					£	1,170 0 0
Secretaries to Attorney General—						
Alexander Charles Greville.....	39 0 0	40 0 0	46 0 0	60 0 0	34 0 0	219 0 0
George Houston Reid	15 0 0	15 0 0
					£	234 0 0
Crown Solicitor—						
John Williams	215 9 6	221 0 0	254 3 0	331 10 0	270 14 6	1,292 17 0
Members of Examining Boards—						
Philip Francis Adams	6 6 0	6 6 0
Haynes Gibbes Alleyne, M.D.	3 3 0	3 3 0
James Barnet	25 4 0	18 18 0	15 15 0	34 13 0	28 7 0	122 17 0
Francis Bell	3 3 0	3 3 0	6 6 0
Alexander Bruce	6 6 0	3 3 0	9 9 0
Edward Charles Cracknell	18 18 0	6 6 0	9 9 0	25 4 0	59 17 0
Edmund Fosbery	9 9 0	9 9 0
Henry Halloran	6 6 0	6 6 0
Francis Hixson	3 3 0	6 6 0	6 6 0	3 3 0	18 18 0
Gother Kerr Mann	53 11 0	85 1 0	66 3 0	113 8 0	94 10 0	412 13 0
Robert George Massie	3 3 0	3 3 0	40 19 0	18 18 0	63 0 0
Edward Orpen Moriarty	9 9 0	22 1 0	31 10 0	31 10 0	6 6 0	100 16 0
Thomas Richards	3 3 0	6 6 0	9 9 0
Alfred Roberts	3 3 0	3 3 0
Henry Chamberlaine Russell	6 6 0	6 6 0
John Smith, M.D., LL.D.....	63 0 0	18 18 0	56 14 0	40 19 0	40 19 0	220 10 0
John Stewart	3 3 0	3 3 0	6 6 0
Angelo Tornaghi	6 6 0	6 6 0
Charles Watt	59 17 0	50 8 0	72 9 0	78 15 0	47 5 0	308 14 0
John Whitton	12 12 0	12 12 0	18 18 0	22 1 0	28 7 0	94 10 0
					£	1,474 4 0

RECAPITULATION.

Attorney Generals	£ s. d.
Secretaries to Attorney Generals.....	1,170 0 0
Crown Solicitor	234 0 0
Boards of Examiners	1,292 17 0
Balance remaining in Treasury.....	1,474 4 0
	<u>508 19 0</u>
	£4,680 0 0

them nominate and appoint by writing under their hands an umpire to decide any matters on which they shall differ or which shall be referred to him under the provisions of this Act and if such umpire shall die or become incapable to act or refuse or for *seven* days neglect to act after being called upon to do so by the arbitrators they shall forthwith after such death incapacity refusal or neglect appoint another umpire in his place and the decision of every such umpire on the matters so referred to him shall be final.

41. If in either of the cases aforesaid the arbitrators shall refuse or shall for seven days after request of either party to such arbitration neglect to appoint an umpire it shall be lawful for any Judge of the Supreme Court on the application of either party to such arbitration to appoint an umpire and the decision of such umpire on the matters on which the arbitrators shall differ or which shall be referred to him under this Act shall be final.

One of the Judges of the Supreme Court to appoint umpire on neglect.

42. If when a single arbitrator shall have been appointed such arbitrator shall die or become incapable to act before he shall have made his award or shall refuse or for fourteen days neglect to act the matters referred to him shall be determined by arbitration under the provisions of this Act in the same manner as if such arbitrator had not been appointed.

In case of death of single arbitrator the matter to begin *de novo*.

43. If where more than one arbitrator shall have been appointed either of the arbitrators refuse or for seven days neglect to act the other arbitrator may proceed alone and the decision of such other arbitrator shall be as effectual as if he had been the single arbitrator appointed by both parties.

If either arbitrator refuse to act the other to proceed *ex parte*.

44. If where more than one arbitrator shall have been appointed and where neither of them shall refuse or neglect to act as aforesaid such arbitrators shall fail to make their award within twenty-one days after the day on which the last of such arbitrators shall have been appointed or within such extended time if any not being greater in the whole than six months as shall have been appointed for that purpose by both of such arbitrators under their hands the matters referred to them shall be determined by the umpire appointed as aforesaid.

If arbitrators fail to make their award within twenty-one days the matter to go to the umpire.

45. The said arbitrators or their umpire may call for the production of any documents in the possession or power of either party which they or he may think necessary for determining the question in dispute and may examine the parties or their witnesses on oath and administer the oaths necessary for that purpose.

Power of arbitrators to call for books &c.

46. Before any arbitrator or umpire shall enter into the consideration of any matters referred to him he shall in the presence of a Justice of the Peace make and subscribe the following declaration that is to say—

Arbitrator or umpire to make a declaration.

I do solemnly and sincerely declare that I have no interest either directly or indirectly in the property in question and that I will faithfully and honestly and to the best of my skill and ability hear and determine the matters referred to me under the provisions of the "Water and Sewerage Act of 187 "

A.B.

Made and subscribed in the presence of

And such declaration shall be annexed to the award when made and if any arbitrator or umpire having made such declaration shall wilfully act contrary thereto he shall be guilty of a misdemeanour.

47. All the costs of any such arbitration and incident thereto to be settled by the arbitrators shall be borne by the Board unless the arbitrators shall award the same or a less sum than shall have been offered by the Board in which case each party shall bear his own costs incident to the arbitration and the costs of the arbitrators shall be borne

Cost of arbitration how to be borne.

borne by the parties in equal proportions but if the sum awarded shall be one-fourth less than the amount claimed the whole costs of and incident to the arbitration and award shall be borne by the claimant and the arbitrators shall direct the payment of the same accordingly. Provided that if either party shall be dissatisfied with the costs allowed by the arbitrators as aforesaid the costs may be taxed by the Prothonotary or other proper officer of the Supreme Court and the amount allowed by such officer shall be the amount to be paid. 5

Award to be delivered to the Board.

48. The arbitrators shall deliver their award in writing to the Board and the Board shall retain the same and shall forthwith on demand furnish a copy thereof to the other party and shall at all times on demand produce the said award and allow the same to be inspected or examined by such party or any person appointed by him for that purpose. 10

Submission may be made a rule of Court.

49. The submission to any such arbitration may be made a rule of the Supreme Court on the application of either of the parties. 15

Award not void through error in form.

50. No award made with respect to any question referred to arbitration under the provisions of this Act shall be set aside for irregularity or error in matter of form.

Power to refer back award.

51. In any case where reference shall be made to arbitration as aforesaid the Supreme Court or a Judge shall have power at any time and from time to time to remit the matters referred or any or either of them to the re-consideration and re-determination of the said arbitrators or umpire as the case may be upon such terms as to costs and otherwise as to the said Court or Judge may seem proper. 20

Questions of compensation in certain cases to be decided by jury.

52. If the compensation awarded by the arbitrators shall exceed the sum of *three hundred* pounds and either party shall be dissatisfied with the award and shall desire to have the compensation settled by a jury and shall within fourteen days after making the award and notice thereof signify such desire by notice in writing to the other party then no steps shall be taken to enforce performance of the award but the party claiming compensation shall proceed by action in the Supreme Court in the usual manner to recover from the Board the compensation to which he may be entitled under the provisions of this Act and if upon the trial of the said action the verdict shall be for a greater sum than the sum previously offered by the Board and awarded by the arbitrators all the costs of the said action and of the arbitration and award shall be borne by the Board and if the verdict be given for a less sum than the sum so awarded all the costs of the said action and of the arbitration and award shall be borne by the claimant but if the verdict of the jury shall be for the same sum awarded by the arbitrators all the costs of the said action and of the arbitration and award shall be paid by the party requiring the same to be referred to a jury and in every such case the costs of the arbitration and award shall be added to and be recoverable as the costs of the action. 25

Compensation to absent parties to be determined by a surveyor appointed by two Justices.

53. The purchase money or compensation to be paid for any lands to be purchased or taken by the Board from any party who by reason of absence from the Colony is prevented from treating or who cannot after diligent inquiry be found and the compensation to be paid for any permanent injury to such lands shall be such as shall be determined by the valuation of a competent surveyor and valuator nominated for that purpose as hereinafter mentioned. 45

Two Justices to nominate a surveyor.

54. Upon application by the Board to two Justices and upon such proof as shall be satisfactory to them that any such party is by reason of absence from the Colony prevented from treating or cannot after diligent inquiry be found such Justices shall by writing under their hands nominate a competent surveyor and valuator for determining such compensation as aforesaid and such surveyor shall determine the same accordingly and shall annex to his valuation a declaration in writing subscribed by him of the correctness thereof. 50